

# 9124730 SERVICE MANUAL MODULAR CONVENIENCE COUNTER MCC COLD USA



## - NOTICE -

This service manual is prepared to be used by trained Service Technicians and should not be used by those not properly qualified. If you have attended a training for this product, you may be qualified to Perform all repair procedures, replacements and adjustments described in this service manual.

The information presented in this document is only valid for standard hot and cold modular convenience counters, (MCC) configurations and is not intended to be all encompassing. The individual specifications may differ.

Procedures for which you do not have the necessary tools, instruments or skills should not be performed by you.

Technical data and specifications mentioned in this manual are subject to amendment without prior notice.

**Reproduction of this service manual,  
Without the express written consent of Fri-Jado,  
Is prohibited.**

Version	Issue date	Remarks
Rev 1	June 2020	First release based on Self Serve
Rev 2	May 2021	Adding Full Serve
Rev 3	June 2021	Adjusting controller hot/cold
Rev 4	March 2022	Addition multiple Shelves version, electrical schematics revision
Rev 5	July 2022	Change into EU and US version
		Alternative Controller

## KEEP THIS USER MANUAL FOR FUTURE USE

© 2022 Fri-Jado B.V., Oud Gastel, The Netherlands.

We refer to our General Terms and Conditions for Sales and Delivery that are available upon request.

The manufacturer does not accept any liability for damage or injury caused by failing to adhere to these regulations or by not observing the usual caution or care in actions, operation, maintenance or repair activities, even if not explicitly described in this manual.

As a result of constant commitment to improvement, it may happen that your unit deviates in detail from what is described in this manual. For this reason, the given instructions are only a guideline for the installation, use, maintenance and repair of the unit referred to in this manual.

This manual has been composed with the utmost care. The manufacturer shall, however, not be held responsible for any mistakes in this manual nor for any consequences thereof. All rights are reserved and nothing in this manual may be reproduced and/or made public in any way.

### Modifications:

In case of unauthorized modifications in or on the unit, every liability on the part of the manufacturer becomes null and void.

# Index

1.0 Introduction	5
2.0 Detailed description	10
3.0 Unpacking	11
4.0 Installation	15
4.1 Connecting drain or evaporation tray	19
4.2 Connecting refrigeration pipes for remote	23
4.3 Accessories	24
5.0 MCC Drop-in	26
5.1 MCC 90 Drop-in Dimensions Self Serve	30
5.2 MCC Cold Drop-in Specifications Self Serve	31
5.3 MCC Cold Drop-in Requirements Self Serve	34
5.4 MCC Drop-in Installation (Self Serve)	35
6.0 Installation Front door section (first version)	39
6.1 Installation Front door section (Second version)	45
7.0 Operation MCC Cold	52
8.0 Maintenance	55
8.1 Parameter MCC Cold Settings (Self Serve)	56
8.2 Parameter MCC Cold Settings (Full Serve)	60
8.3 Safety Instructions	64
8.4 Maintenance Points MCC Cold	65
9.0 Trouble Shooting	66
9.1 Trouble Shooting Alarm messages	67
9.2 Trouble Shooting Symptoms and causes	68
9.3 Trouble Shooting Analytical description	69
10.0 Replacement and Adjustments	70
11.0 Technical Specifications MCC Cold - 2 (Full Serve) US	79
11.1 Technical Specifications MCC Cold - 2 (Self Serve) US	80
11.2 Technical Specifications MCC Cold - 2 (Full Serve) US	81
11.3 Technical Specifications MCC Cold - 3 (Full Serve) US	82
11.4 Technical Specifications MCC Cold - 3 (Self Serve) US	84
11.5 Technical Specifications MCC Cold - 4 (Full Serve) US	85
11.6 Technical Specifications MCC Cold - 4 (Self Serve) US	86
11.7 Explanation difference in levels and shelves	88
12.0 Exploded view MCC Cold Electrical (Self Serve)	90
12.1 Exploded view MCC Cold Cooling engine (Self Serve)	92
12.2 Exploded view MCC Cold Cooling (Self Serve)	94
12.3 Exploded view MCC Cold 2 Level	96
12.4 Exploded view MCC Cold 3 Level (Self Serve)	98
13.0 Electrical schematics MCC Cold (first version)	102
13.1 Electrical schematics MCC Cold (Self Serve)	103
13.2 Electrical wiring MCC Cold (Self Serve)	104



# 1.0 Introduction

## 1.1 General

This manual is intended for trained technicians, performing repairs on the MCC. The features and controls are being described, along with directions for the safest and most efficient way to service these counters. All pictograms, symbols and drawings in this manual apply to all available MCC models.

## 1.2 Identification of the unit

The identification plate can be found on the outside of the machine, and contains the following data:

- Name of the supplier or the manufacturer
- Serial number
- Voltage
- Power consumption
- Model
- Year of construction
- Frequency

## 1.3 Pictograms and symbols

In this manual, the following pictograms and symbols are used:

### WARNING symbols:



**WARNING**  
Possible physical injury or serious damage to the unit,



**WARNING**  
Risk of Fire.



**WARNING**  
Hazardous electrical voltage.



**WARNING**  
Danger of getting injured by hot surfaces.

### SAFETY symbols:



**SAFETY**  
Wear safety gloves for installation and dismantling.



**SAFETY**  
Wear eye protection.



**SAFETY**  
ALWAYS Remove power plug from main outlet before working on the unit.



**Disposal**  
According local regulations



**SAFETY**  
Clean Hands and/or Tools



**SAFETY**  
System contains refrigerant under high pressure

### Suggestions and recommendations.



**Notification**  
Take care off:



**Reading**  
Instructions referred to read



**Recycling symbol.**



**Part of manual**  
Still under construction



**Minimum room floor area.**



**Cleaning**  
On regularly interval



**Pictures or photos**  
Still to be added

### 1.4.1 General regulations

The technician, working on the unit will be fully responsible for abiding the locally prevailing safety rules and regulations.

Technical activities must be performed by qualified and authorized persons only.



Before working on any electrical part, or dismantling the unit by means of using a screwdriver, **ALWAYS REMOVE** the power plug from the main outlet.

Anyone performing technical repairs, replacements or adjustments on or with this unit must be familiar with the contents of this service manual and carefully follow all guidelines and instructions.

Never change the order of the steps to be performed.

The pictograms, labels, instructions and warning signs attached to the unit, are part of the safety measures. They may never be covered or removed, and have to be clearly visible during the entire lifetime of the unit.

Immediately repair or replace damaged or illegible pictograms, warnings and instructions.



#### Notes:



- To avoid short-circuiting, never clean the unit using a water hose.  
*For detailed cleaning instructions, please refer to MCC user manual.*



- The shelves, glass and back of the hot unit can get hot.



- All units must be cleaned regularly to ensure proper functioning.



- Do not store explosive substances;  
such as aerosol cans with flammable propellant in this appliance.

### 1.4.2 Cold units with R290 (propane) refrigerant



Propane refrigerant is environmentally friendly but also highly flammable. It is non-toxic with zero Ozone Depletion Potential(ODP) and very low Global Warming Potential (GWP).  
Read this manual carefully and follow all precautions described herein.



**R290**

#### **WARNING**

The propane refrigerant is highly flammable. All safety precautions must be followed. Keep all ventilation openings in the housing of the appliance or in the installation free from Obstructions.

Do not use mechanical devices or other means to accelerate the defrosting process.

Do not damage the refrigerating circuit.

Do not use electrical appliances inside the food/ice storage compartments.

Propane refrigerant does not contain odor.



#### **SAFETY**

Wear eye protection when working on the refrigeration system.

- Install the unit in a well ventilated area with sufficient floor space: refer to the data sheet for minimum space requirement.
- Do not install the unit in basements, in area's with open flames or high surface temperatures.
- Do not tamper with the system.
- The system must be installed and maintained by trained and qualified persons only.
- The ventilation openings of the cladding of the unit (including accessories) must not be Blocked or covered. Ensure that the air circulation remain unobstructed.
- Electrical devices used within this unit must be certified by the applicable ATEX directive.



#### **Residual risks:**

- Sparks from electrical devices or hot surfaces may unintentionally ignite possible leaked refrigerant gas.

### 1.4.3 Moving

- Before moving the unit, first switch off the mains switch and disconnect power by pulling the plug from the wall socket.
- Remove pans containing a liquid product from the unit.
- Always keep the unit in upright position.

### 1.4.4 Outdoor use restrictions



#### **WARNING**

To avoid short-circuiting, the units may not be used outdoors nor in a rainy or very moist environment.

### 1.4.3 Cold units with remote CO<sub>2</sub> (R744) refrigerant



#### **WARNING**

Remote R744 refrigerant is environmentally friendly but under high pressure. It is non-toxic with zero Ozone Depletion Potential (ODP) and very low Global Warming Potential (GWP).



Read the user manual carefully and follow all precautions described herein.



#### **SAFETY**

Wear eye protection when working on the refrigeration system.

- Do not tamper with the system.
- The system must be installed and maintained by qualified persons only.
- Fixate the unit to the floor.
- The ventilation openings of the cladding of the unit (including accessories) must not be blocked or covered.  
Ensure that the air circulation remain unobstructed.

## 1.5 Hygiene



### WARNING

Immediately remove products in damaged packaging from the equipment and destroy the products.

Clean all components that have come in contact with products from damaged Packaging.

The quality of a fresh product always depends on hygiene.  
It is essential that products are packaged immediately after preparation.

Prevent fresh raw vegetables or already prepared, cooled products from coming into contact with raw meat products to avoid transmitting salmonella.



First thoroughly clean hands and/or tools that have touched raw meat and/or meat juices.

*For detailed cleaning instructions, please refer to MCC user manual section 5.*

## 1.6 Service and technical support

The electrical schematics of the unit are included at the end of this manual.  
In case of malfunctions which are not fixable by you, you can contact Fri-Jado.  
Make sure you have the following data available:

- Model.
- Serial number.

This data can be found on the identification plate.

## 1.7 Storage

If the unit will not be used temporarily, and will be stored, follow these instructions:

- Clean the unit thoroughly.
- Wrap the unit from getting dusty.
- Store the unit in a dry, non-condensing environment.
- Do not expose units with R290 refrigerant during storage and transport to Temperatures higher than 70 °C (158 °F).
- Ensure good ventilation.

## 1.8 Disposal



Dispose of the machine, any components or lubricants removed from it safely in accordance with all local and national safety and environment requirements.



### WARNING

Cold units: Propane refrigerant is highly flammable.



At all times all safety precautions must be followed, see chapter 9.5.

## 2.0 Detailed description

### 2.1 Technical description Self Serve

Panels are made of galvanized steel plating, stainless steel and/or aluminum.  
Some of the visible internal and external parts have been provided with a powder coating.  
Glass used is tempered.  
Unit can be moved by means of a pallet truck.

Product contact parts are made of stainless steel AISI 304 or AISI 430 and tempered glass.

### 2.2 Cold units Self Serve: (OmiCold Air flow technology)

Cooling is achieved by means of a thermostatic temperature-controlled cold airflow.  
Cold air is passed via the back and shelves over the products.



Between price rail and child glass an opening exists which is vital for the airflow inside the unit.

**Price rail must always be kept in place .**

For MCC Cold SS:

Price rail is integrated part of air guidance inside the unit.

**Removing the price rail will result in a bad functioning MCC**

Self-serve models have an additional set of fans mounted in the top to create a stable air curtain on the open side of the cabinet to minimize the infiltration of warm ambient air. The air on the front side passes through the suction grid in the bottom of the unit.

Temperature of the airflow is controlled electronically.

The electronically controlled thermostat is factory pre-programmed.

Set temperature can be changed from -6 °C to +0 °C (21.2 °F to 32 °F).

The units can be connected to a fixed drainage system or an optional evaporation tray to evacuate Condensation water.

One LED-module per level provides lighting of the products.

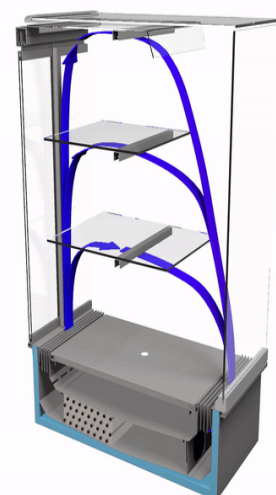
Lighting and cooling are switched on simultaneously

Self-serve models can be fitted with an optional night curtain.

Air flow Self Serve



Air flow Full Serve



## 3.0 Unpacking

### 3.0 Start to unpack



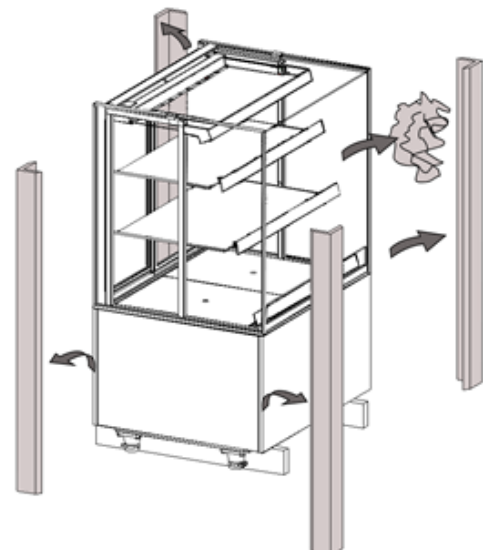
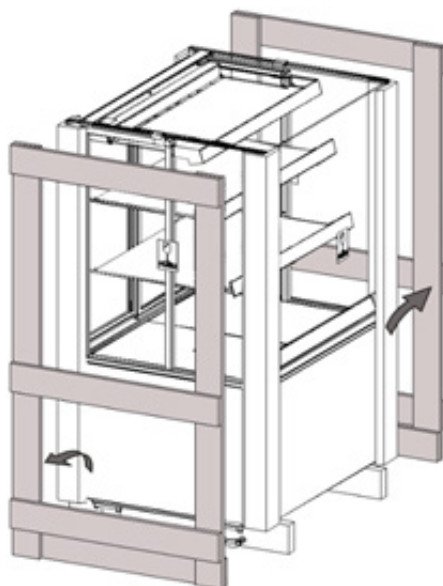
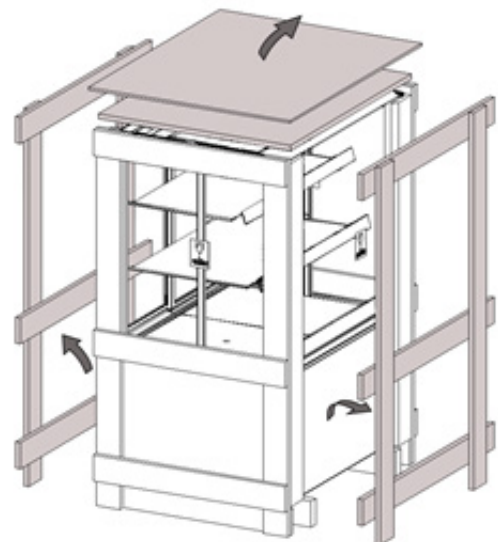
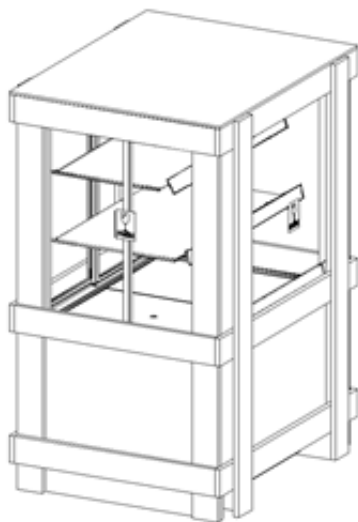
All packing materials used for this unit are suited for recycling.

Before and during unpacking, check the state of the unit. In case of damage, photograph the damage, store the packing material, and contact the transporter as soon as possible but at the latest within fifteen working days after receiving the goods.

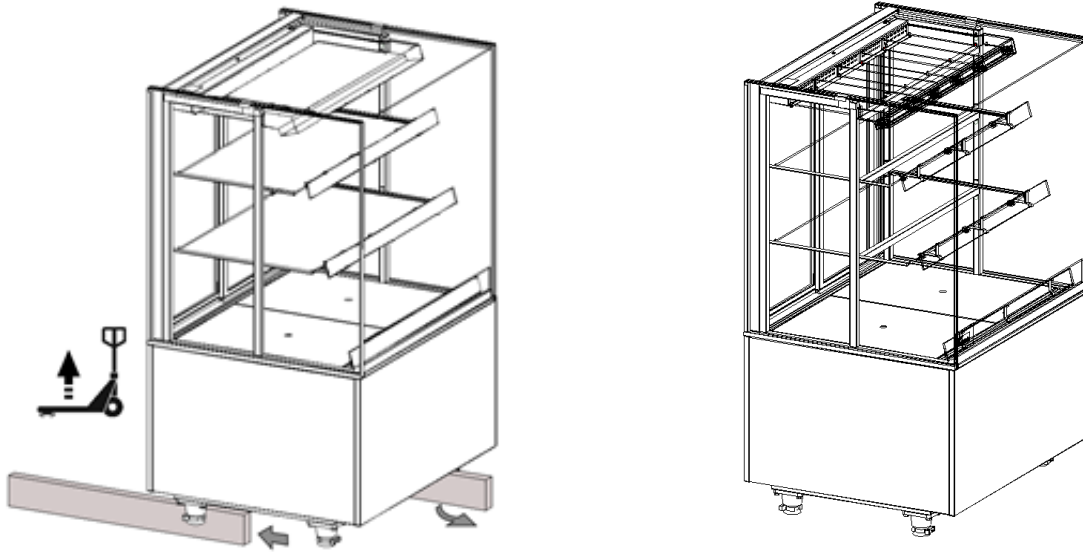
### 3.1 Unpacking the unit

The MCC is placed inside a crate during transport, take the following steps to unpack.

1. Remove the top crate pane and foam.
2. Remove the front and rear boards.
3. Remove both side boards.
4. Lift the unit from the support beams using a pallet truck or forklift.
5. Remove the supporting beams.
6. Observe the safety and warning signs.

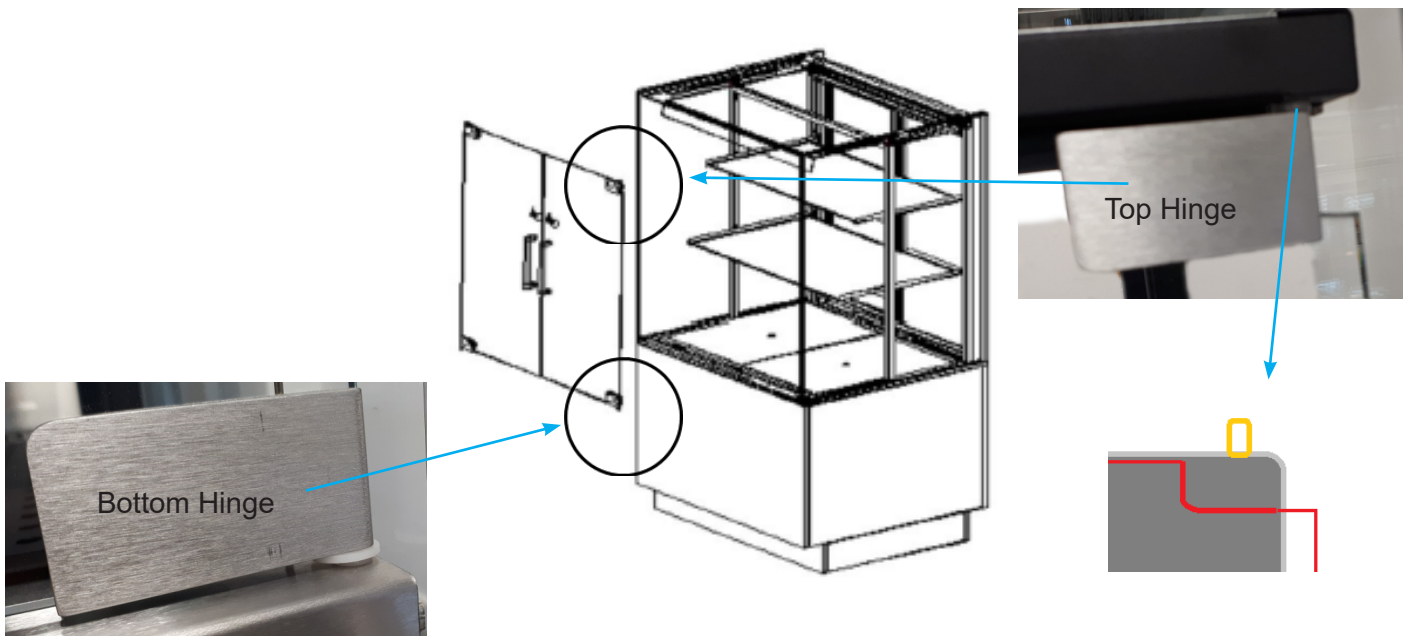


Refer to User manual for installation procedure



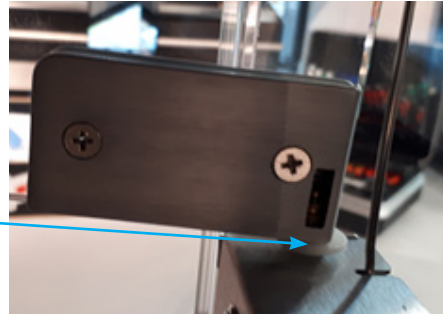
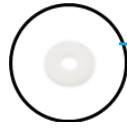
### 3.2 Mounting of optional front doors. (first version, for details 6.0)

There are 2 different heights of plastic washers to align the height of the front doors. Position the doors with the handles to the outside and with the warning sticker above the handle.

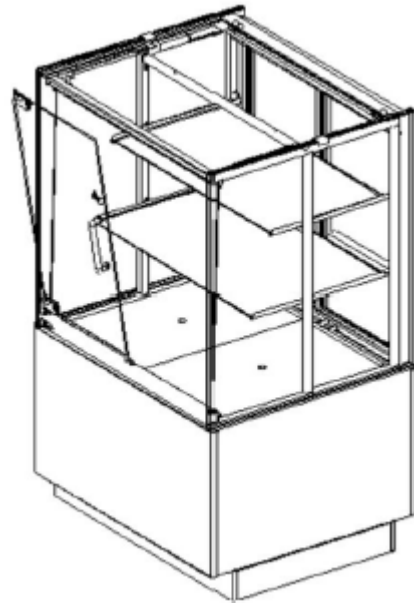
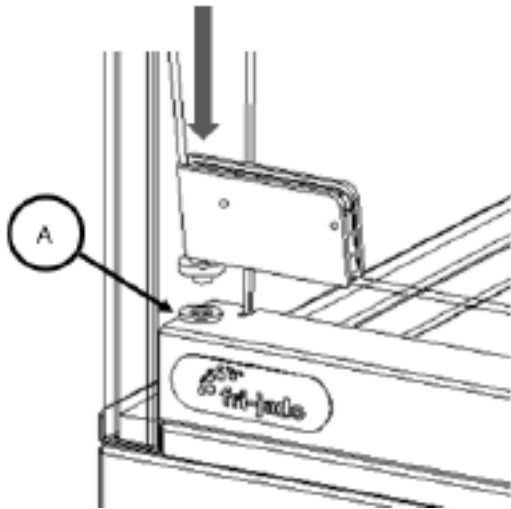


Assy. front door MCC 90 SS = 9380104 Complete set to order = 9389832

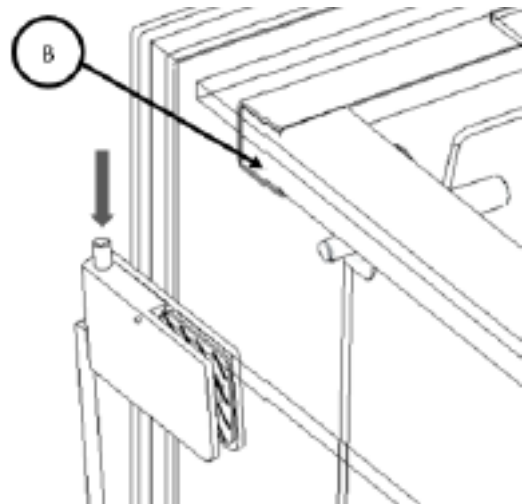
Put the thick or thin plastic washer (depending on leveling) on the bottom hinge pin of the door. Do this at all doors.



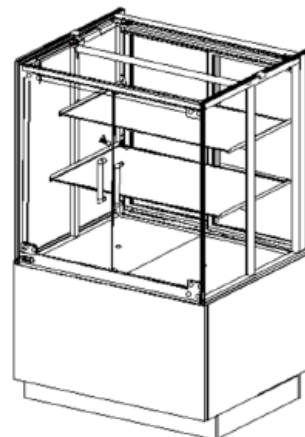
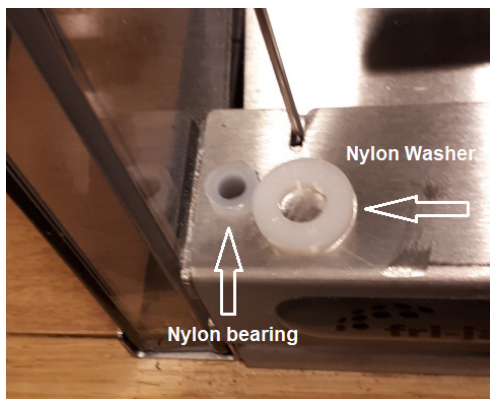
Place the hinge pin with the nylon washer on in the bottom hole (A). Keep the door in a tilted position during this action.



Press the hinge pin at the upper side downwards. Turn the door in a 'vertical' position so the upper hinge pin will align with the upper hole. Release the hinge pin into the upper hole (B).



Be sure inside the hole a nylon bearing is placed, in the bottom holes as well as in the top holes.



If both hinge pins are correctly clicked into the bottom and upper hole, the door is mounted correctly.

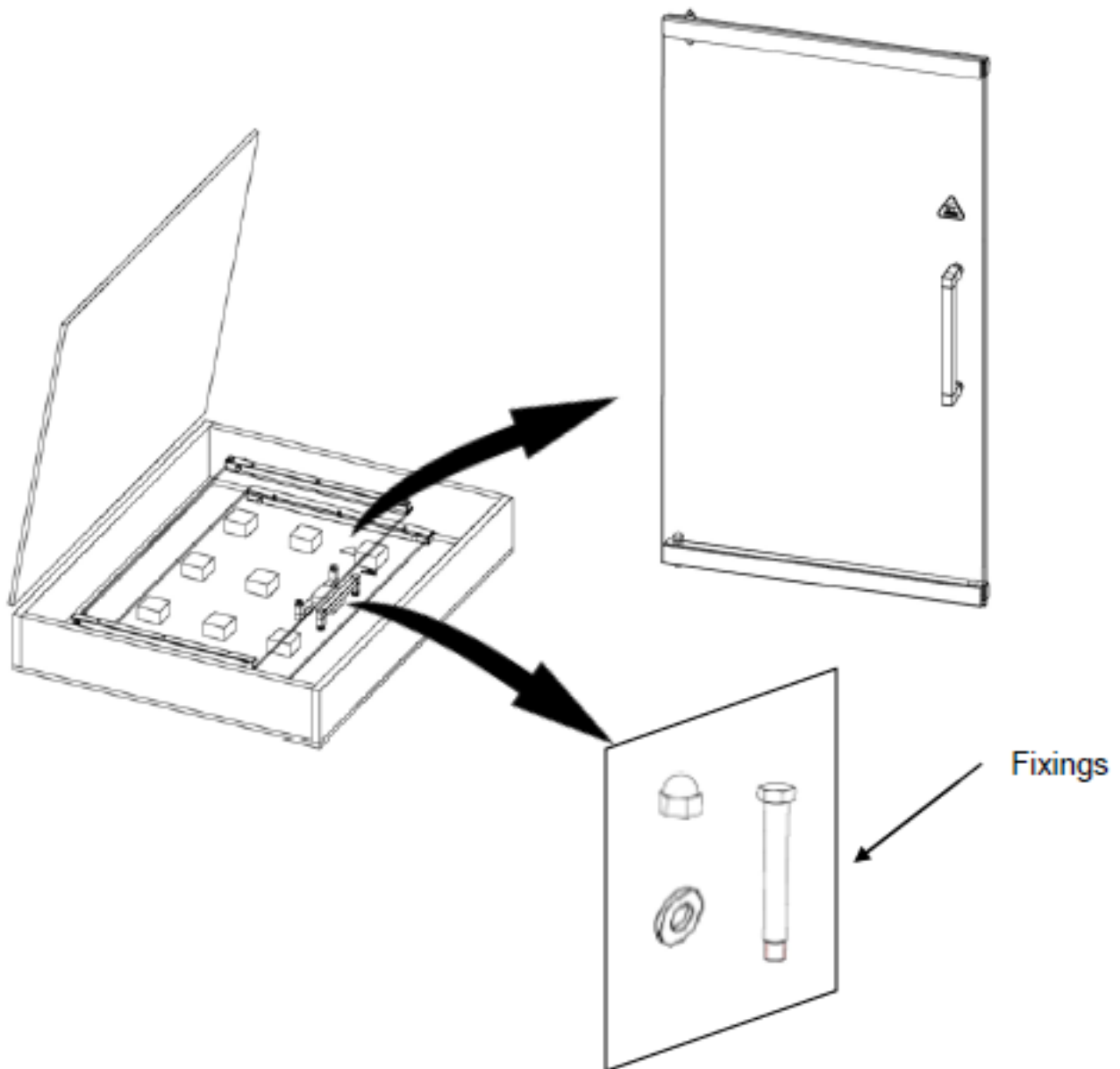
### Adjusting the height of the doors

To adjust the doors in height after placement, Loose the mounting screws of the hinge a little.

If loose, the glass can be moved slightly inside the hinge assembly



### 3.3 Mounting of optional front doors. (second version, for details 6.1)



## 4.0 Installation

### 4.10 Installation and positioning

#### WARNING



Cold units: The propane refrigerant is highly flammable.  
All safety precautions must be followed.

#### WARNING



Position the unit on a flat and horizontal surface.

A temporally inclined plane of maximum 5° is allowed.

- Place the unit level on a sufficiently sturdy floor.
- Keep the weight of the unit in mind.
- Use a level-ling instrument to level the unit by adjusting the unit's legs.  
(Refer to next page)
- MCC cold: Please take notice of label with minimum space required
- Be sure that the personnel have sufficient room to work with the unit.
- Keep a distance of at least 150 mm (6 inch) between the back wall and the unit.
- Do not position a unit near a doorway, a ventilation device or a refrigerator in order to avoid any negative effects on the unit's operation by a cold airflow.

*The unit is designed for a maximum draft of 0.2 m/s (0.65 ft./sec).*

- Do not place the unit into direct sunlight.
- Be sure that the ambient temperature for cold models remains between 10 °C - 25 °C (50 °F - 77 °F) and that the relative air humidity remains below 60%. Cold units have been designed to operate at climate class 3 (according ISO 23953).
- Hot units should not be used below 20 °C (68 °F) ambient temperatures.
- Keep the plinth free from any obstacles to ensure ventilation.



**Warning** Electrical shock Hazard

- Grounding instructions:  
Only connect the appliance to an alternating current, to a grounded wall socket, with a mains voltage in accordance with the information indicated on the type plate of the appliance.
- It is the consumer's responsibility to make sure the electrical installation conforms with current national and local codes and wiring regulations.
- It is not allowed to use a multi plug or extension cord. Such can result in fire, electrical shock, or personal injury.



Failure to follow these instructions can result in serious injury or in death.

#### 4.1 Applying price rail

Optional price rails for Hot self-serve models can be mounted using the front screws underneath each of the Hot SS shelves. Do not loosen this screws entirely!

Price rails for serve over models can be mounted on the air inlet grill and on the glass shelves.

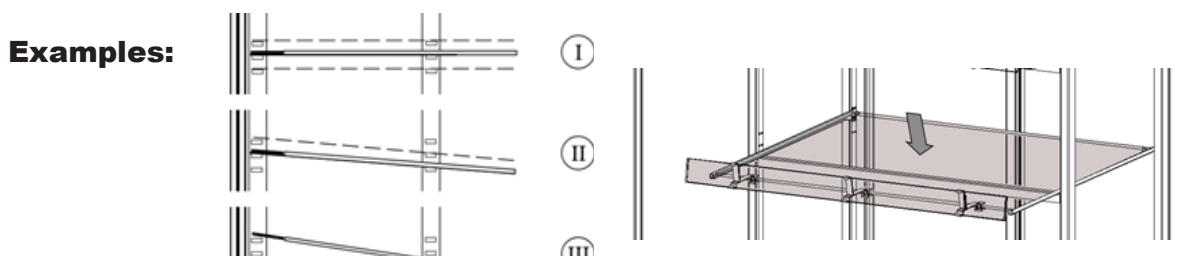


Cold self-serve models are supplied with price rails as standard.  
Price rail is integrated part of air guidance inside the unit.  
Removing the price rail will result in a bad functioning MCC

#### 4.2 Repositioning the glass shelves on Cold FS/SS models



The glass shelves can be positioned at three horizontal levels (I), or one of three angled positions (II and III) by changing the positions of the LED-armature with respect to the rear.



*For repositioning details refer to User manual*


#### 4.3 Hot SS models



The glass shelves can be positioned at two angled positions (0° and 3°).  
Refer to user manual.

#### 4.4 Plateau Options

Most all MCC models, the bottom presentation deck can be set at a variety of horizontal levels.

Refer to user manual 

#### 4.5 Solid back option

On request the unit can be ordered having a solid back in stead of sliding doors

#### 4.6 First use

Before starting to use the unit, clean the inside thoroughly with mild detergent and water. After cleaning it wipe it with a cloth moistened with clean water to remove residual detergent, then dry the entire unit.

#### 4.7 Level the unit

Place the unit on a sturdy, flat surface and level the unit by adjusting the unit's legs (max. +15mm).



#### 4.8 Mounting the plinths

Place the rear plinth by attaching it to both rear Adjustable legs using its two clamps.

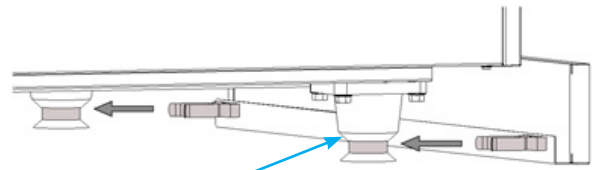
Insert the pegs of both side plinths into the slots of the rear plinth.

Secure the side plinths by inserting the pegs into the slots of the front plinth, while clamping the front plinth to the front adjustable legs.

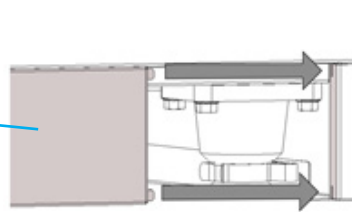
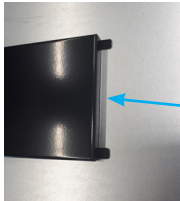
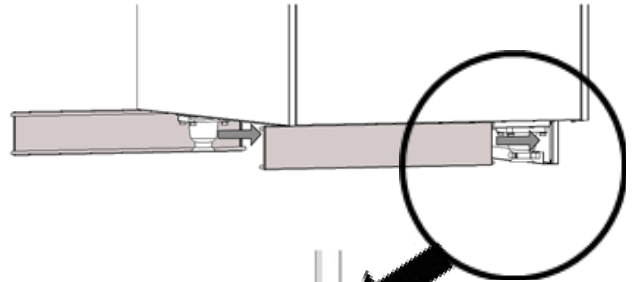
Result

#### 4.8 Mounting the plinths

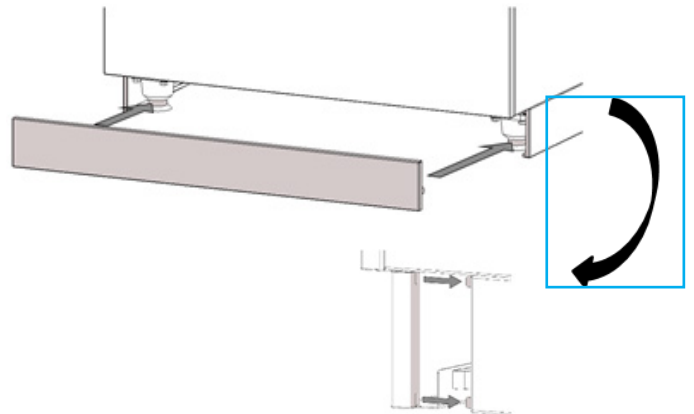
Place the rear plinth by attaching it to both rear Adjustable legs using its two clamps.



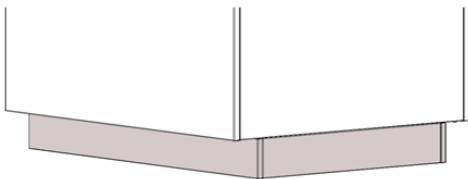
Insert the pegs of both side plinths into the slots of the rear plinth.



Secure the side plinths by inserting the pegs into the slots of the front plinth, while clamping the front plinth to the front adjustable legs.

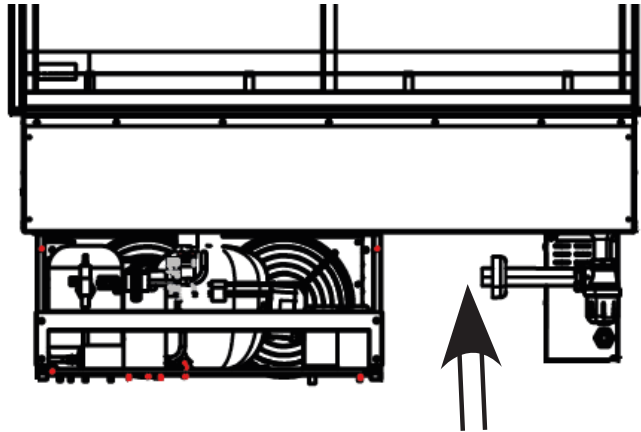


Result



## 4.1 Connecting drain or evaporation tray

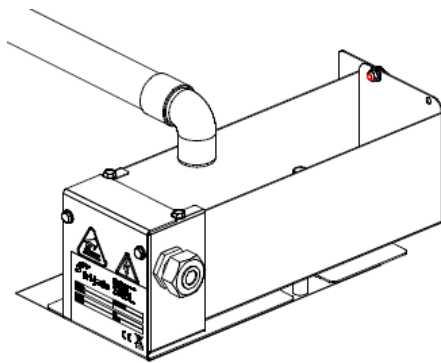
### 4.9 Connecting drain (Cold unit only)



During the installation process of the MCC Cold, a drain connection must be made. Connect the drain of the unit, onto the main drain of the building using PVC piping (not included).

If no drain connection can be made, an evaporation tray must be placed.

### 4.10 Installation of the evaporation tray (including specification)



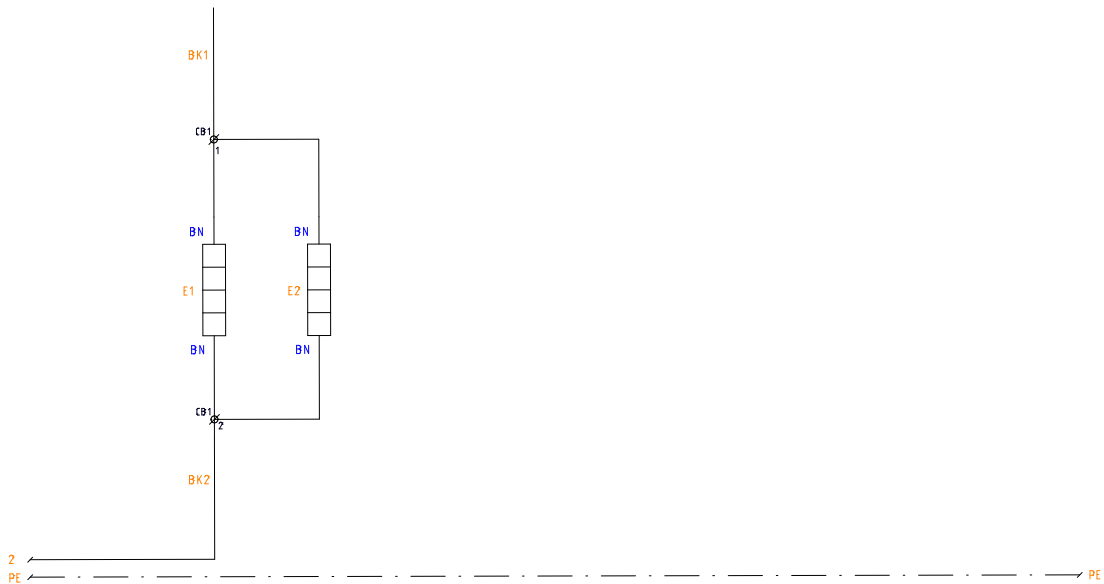
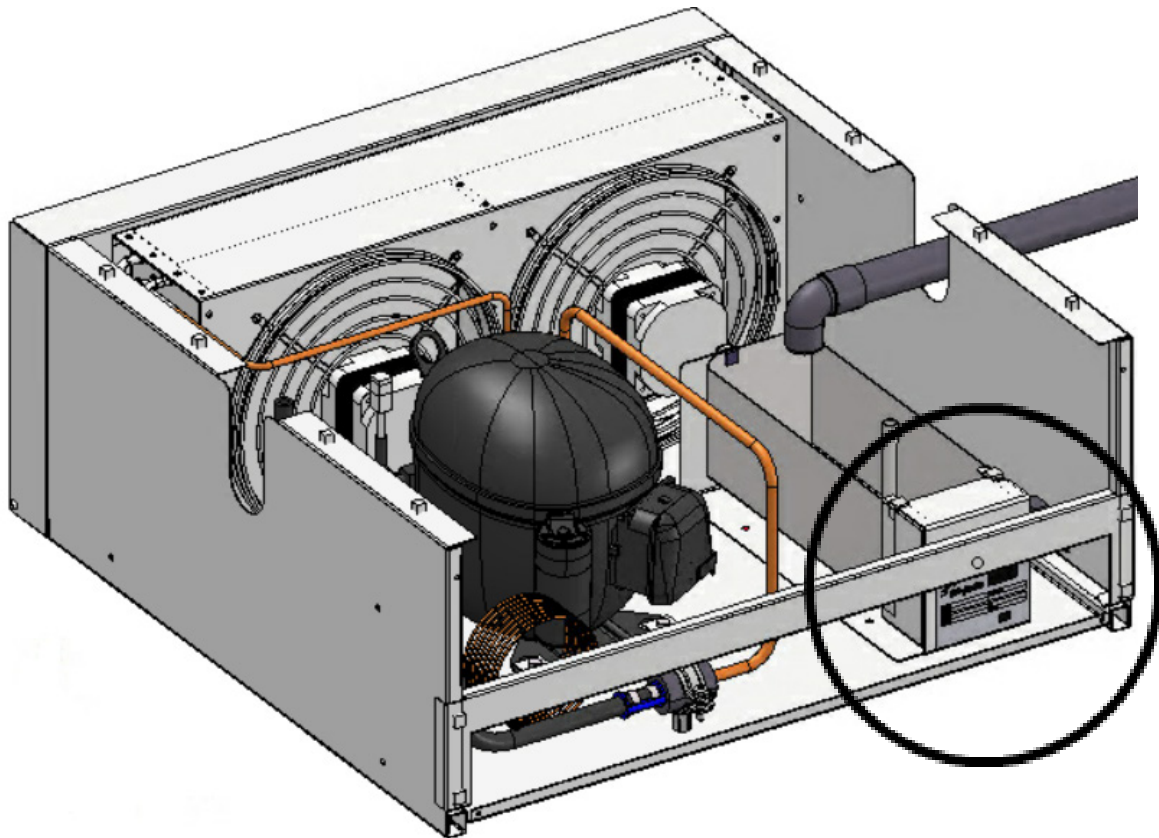
1. Turn of unit, and pull power plug from wall outlet.
2. Open back panel of unit ( refer 11.16)
3. Extend drain of unit, using the delivered drain pipe.  
Cut pipe on required length (depending on measurements of unit).
4. Put angle piece on end of drain pipe, exactly above the evaporator tray.
5. Place evaporation tray in position and mount this with two bolts and nuts



Evaporation tray must be placed with the serial number label faced to the back of the unit. Label must remain visible (readable) (see drawing below)

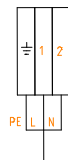
6. Connect power cord of evaporator tray to outlet on electrical box of MCC unit.

## 4.1 Connecting drain or evaporation tray



EVAPORATION HEATERS

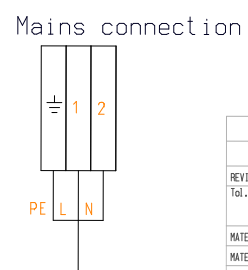
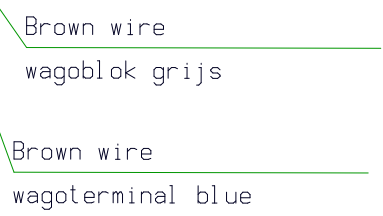
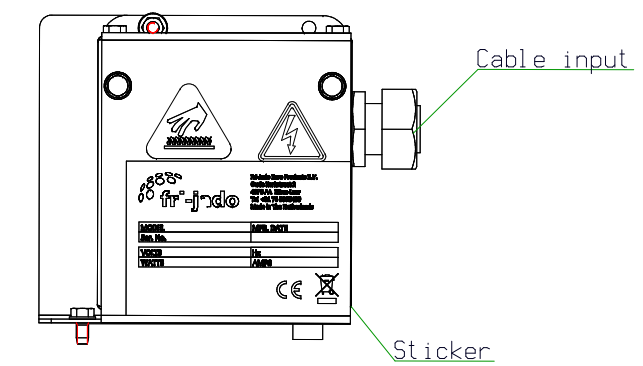
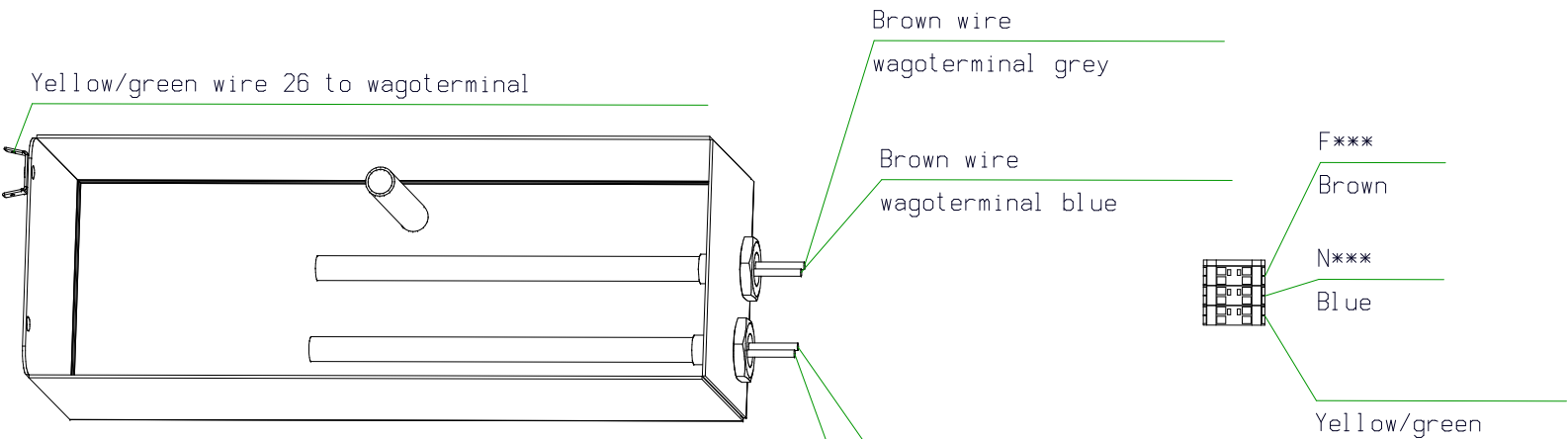
Mains connection



BN - BROWN  
 BU - BLUE  
 GN - GREEN  
 RD - RED  
 YE - YELLOW

REVISION	REV. DATE	REMARK	Gen. tolerance	Surface treatment	Geom. tolerance
<small>                     MATERIAL                      INTERNAL ART. NUMBER                      UNIT mm                      SCALE 1:1                      REVISIONS                      DESCRIPTION                 </small>					
<small>                     DRAWN van Susante Admtn                      STATUS In Progress                      PROJECT 938                 </small>			<small>                     APPROVED                      DATE 20.10.2020                      DRAWING NUMBER 9380801                 </small>		
<small>                     fri-jado                      Circuit diagram Evaporation tray                 </small>					<small>                     ART. NUMBER 9380801                      REV. SIZE A3                 </small>

# 4.1 Connecting drain or evaporation tray



BN - BROWN  
 BU - BLUE  
 GN - GREEN  
 RD - RED  
 YE - YELLOW

REVISION	REV. DATE	REMARK
Tol. principle	Gen. tolerance	Surface treatment
MATERIAL		
MATERIAL ART. NUMBER	DRAWN van Susante Admin	APPROVED
UNIT mm	STATUS In Progress	DATE 29.10.2020
SCALE 1: 1	PROJECT 938	DRAWING NUMBER 9380802
REMARKS		
DESCRIPTION Wiring diagram Evaporation tray		
ART. NUMBER 9380802	REV.	SIZE A3

#### 4.11 Intended use

Self-serve models have been designed solely to keep packaged products cold and to display them.

Serve over models can be used for unpacked foodstuff as well.

Any other use will not be regarded as intended use.



The manufacturer accepts no liability whatsoever for loss or injury caused by failing to strictly adhere to the safety guidelines and instructions in this manual or due to carelessness during installation, use, maintenance and repair of the unit referred to in this manual and any of its accessories.

Use the unit in perfect technical condition only.

#### Cold Units

Cold units are factory programmed to achieve a product temperature  $\leq 5\text{ }^{\circ}\text{C}$  (41  $^{\circ}\text{F}$ ) at an ambient of 25  $^{\circ}\text{C}$  (77  $^{\circ}\text{F}$ ) with a relative humidity of 60% by a max. draft of 0.2 m/s (0.66 ft/sec). This corresponds with a 3M1 classification according to ISO 23953:2015.

The set temperature can be changed from -6  $^{\circ}\text{C}$  to +0  $^{\circ}\text{C}$  (21.2  $^{\circ}\text{F}$  to 32  $^{\circ}\text{F}$ ).

#### Switching-on the unit

- Switch the cooling on by means of the temperature controller.
- Let the unit cool for approx. 30 minutes.

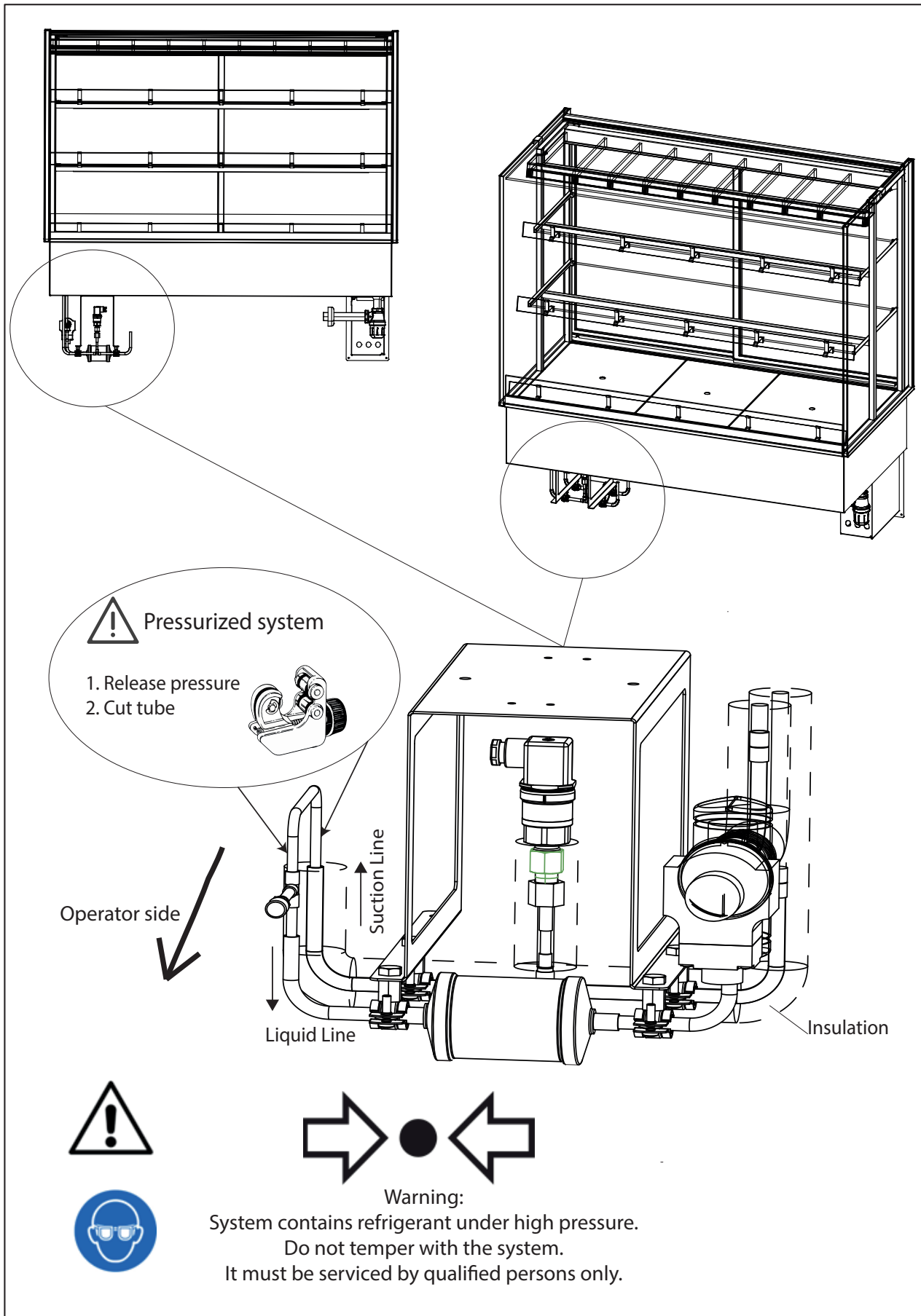
#### Loading the unit

- Only load products of which the temperature is maximum 4  $^{\circ}\text{C}$  (39.2  $^{\circ}\text{F}$ ).
- The maximum loading height is 50mm (2 inch) below the bottom of the shelf/air guide above.
- The maximum carrying-capacity per shelf is 30 kg/m (66 lbs/m), by equal load.

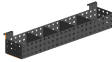


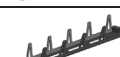



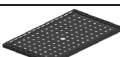
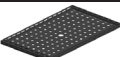
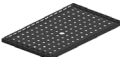
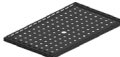
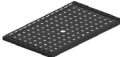
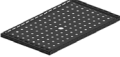
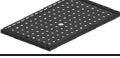
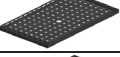
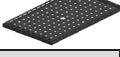

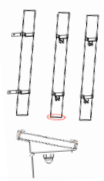





## 4.2 Connecting refrigeration pipes for remote


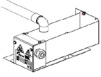




CONNECTING REFRIGERATION PIPES FOR REMOTE SYSTEM MCC

9124773 Rev 06/2022



## 4.3 Accessories

Accessoires	MCC Hot Self Serve	Compatibility		
Condiment holder	9380198	MCC 60/90/120		
Merchandising rack 410 mm - Top Shelf	9384463	MCC 60/90/120		
Merchandising rack 475 mm - Middle Shelf	9384473	MCC 60/90/120		
Merchandising rack 550 mm - Bottom Shelf	9384475	MCC 60/90/120		
Shelf divider 410 mm - Top Shelf	9384505	MCC 60/90/120		
Shelf divider 475 mm - Middle Shelf	9384503	MCC 60/90/120		
Shelf divider 550 mm - Bottom Shelf	9384505	MCC 60/90/120		
Shelf insert 250x410 mm - Top Shelf	9384534	MCC 60		
Shelf insert 250x475 mm - Middle Shelf	9384535	MCC 60		
Shelf insert 250x550 mm - Bottom Shelf	9384536	MCC 60		
Shelf insert 400x410 mm - Top Shelf	9384461	MCC 90		
Shelf insert 400x475 mm - Middle Shelf	9384470	MCC 90		
Shelf insert 400x550 mm - Bottom Shelf	9384471	MCC 90		
Shelf insert 550x410 mm - Top Shelf	9384537	MCC120		
Shelf insert 550x475 mm - Middle Shelf	9384538	MCC120		
Shelf insert 550x550 mm - Bottom Shelf	9384539	MCC120		
Accessoires	MCC Hot Self Serve	MCC Hot Self serve humidified	MCC Hot Full serve	
Price rail set MCC SS 60	9389801			
Price rail set MCC SS 90	9389802			
Price rail set MCC SS 120	9389803			
Price rail set MCC FS 60		9389811	9389811	
Price rail set MCC FS 90		9389812	9389812	
Price rail set MCC FS 120		9389813	9389813	
Bumper MCC 60	9380206	9380206	9380206	
Bumper MCC 90	9380207	9380207	9380207	
Bumper MCC 120	9380205	9380205	9380205	
Castor set	9389851	9389851	9389851	
Total height of MCC + 23 cm				
Accessoires	MCC Cold Self Serve	MCC Cold Self serve with doors	MCC Cold Full serve	
Price rail set MCC 90	9389812	9389812	9389812	

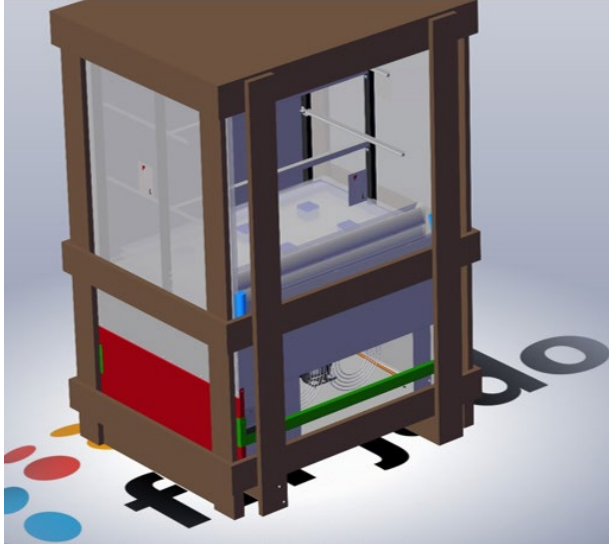
Price rail set MCC 120	9389813	9389813	9389813	
Price rail set MCC 150	9389814	9389814	9389814	
Evaporation tray	9389820	9389820	9389820	
Bumper MCC 90	9380207	9380207	9380207	
Bumper MCC 120	9380205	9380205	9380205	
Bumper MCC 150	9380208	9380208	9380208	
Castor set	9389852	9389852	9389852	
Total height of MCC + 23 cm				

9389831	Ass. Front door set 60
9389832	Ass. Front door set 90
9389833	Ass. Front door set 120
9389834	Ass. Front door set 150

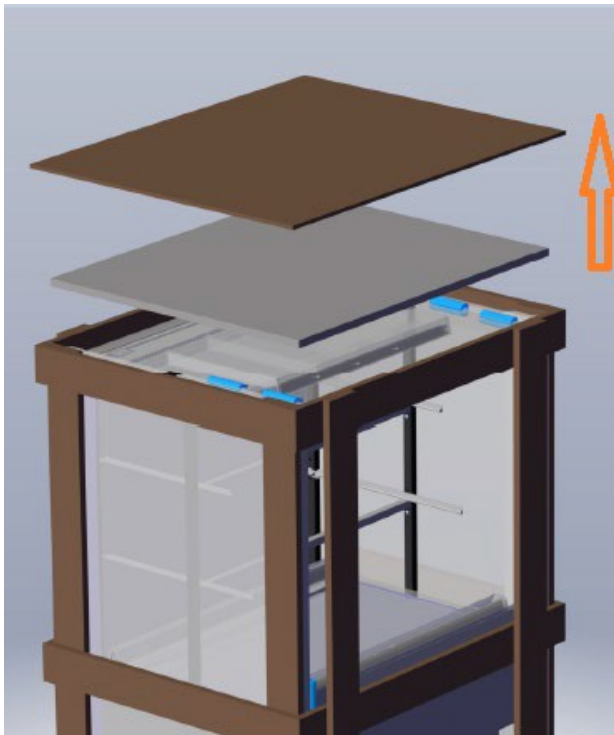
## 5.0 MCC Drop-in

For installation guide, refer 5.6

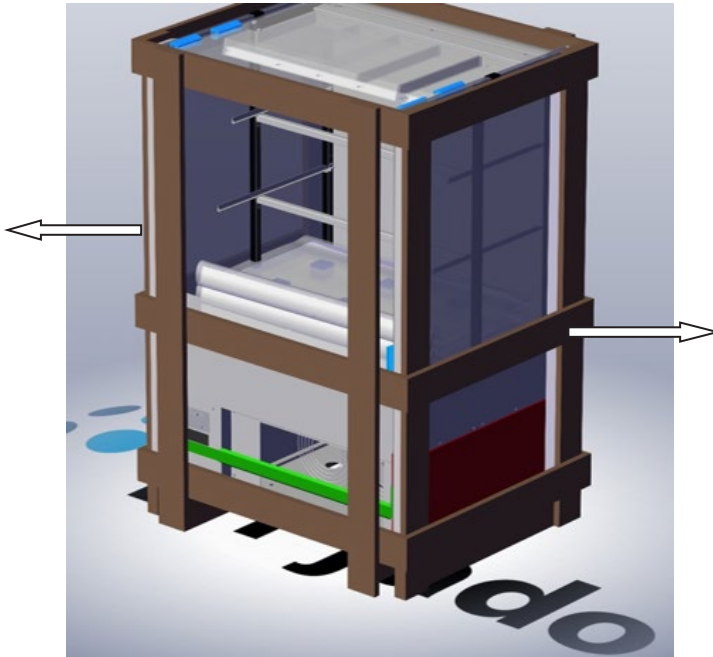
The MCC Drop in will be delivered, packed in a crate



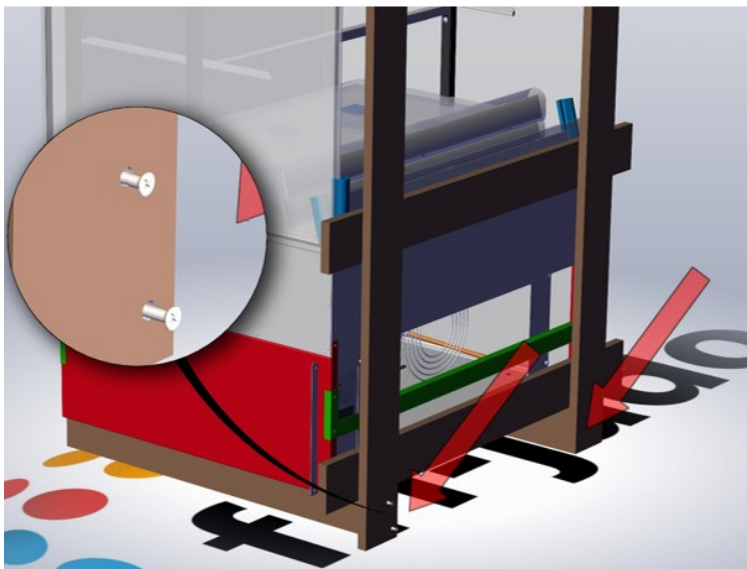
Start unpacking by removing top cover



Remove short sides first (Left and Right), by unscrewing them.

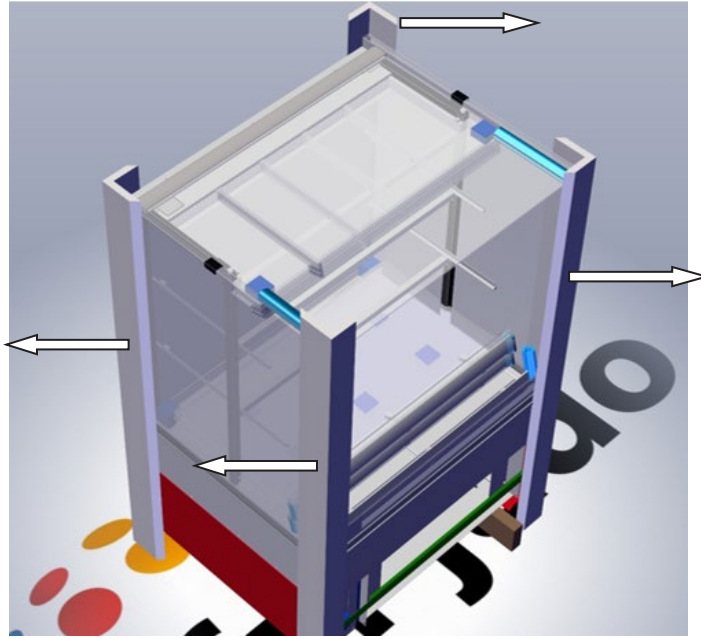


Next, remove front and back panel, they are also screwed onto the support beams under the unit.



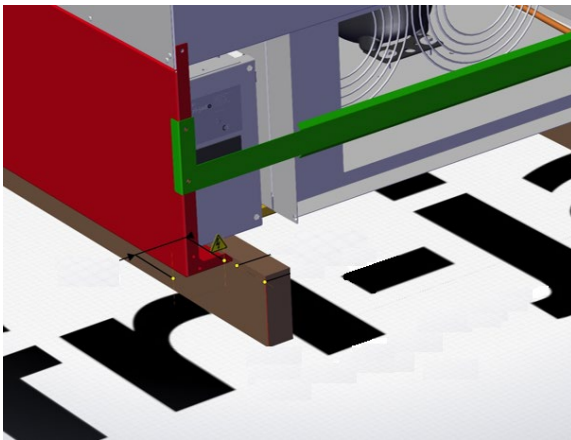
Keep the support beams for further use.

Remove wrapping foil and remove corner pieces EPS foam.

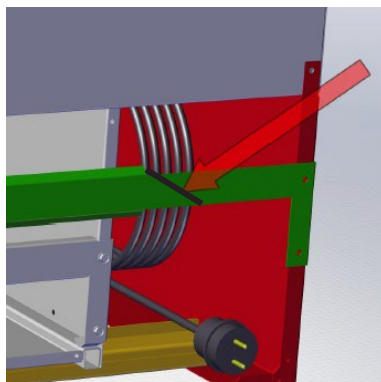


Unit is placed on a metal sub frame for transport purposes. Frame is kept together with metal strip at the front and the back.

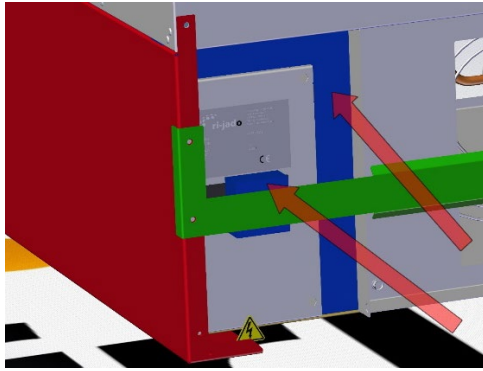
Keep strip in place during placing process. Keep wooden support beams for further usage.



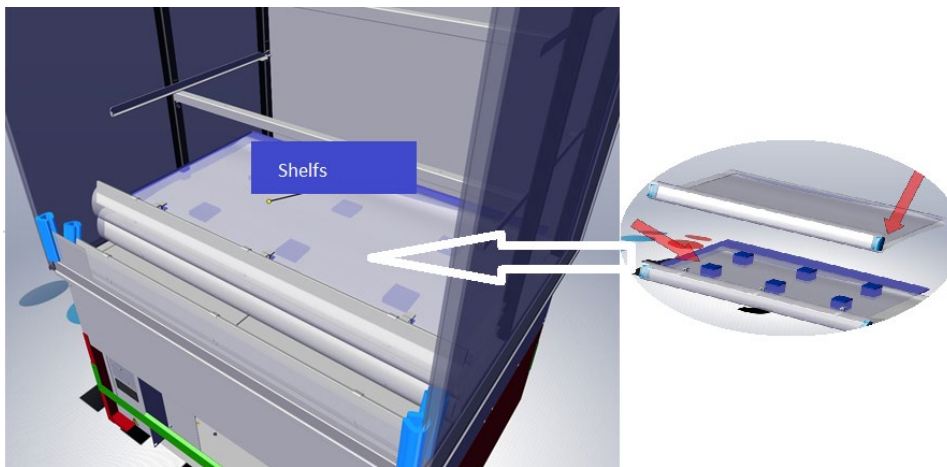
After lowering the cabinet into the cut-out in the counter top:  
Remove tie-wrap which is holding the power cord.



Remove foam which holds the electrical box

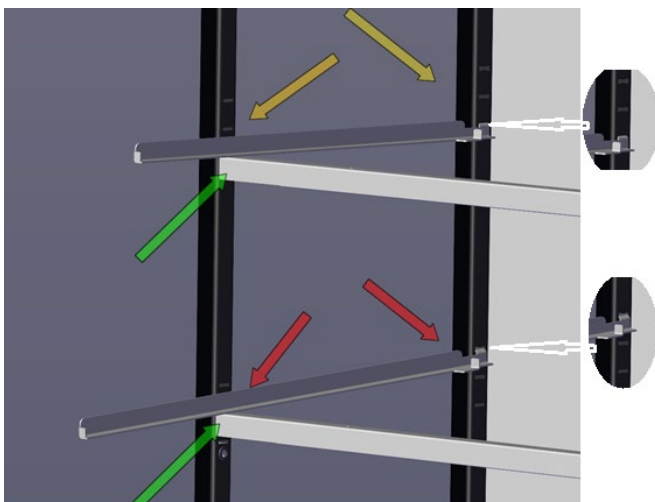


Remove documents and glass shelves from unit.



After placing cabinet in final position, remove tie-wraps which hold the shelf holders.

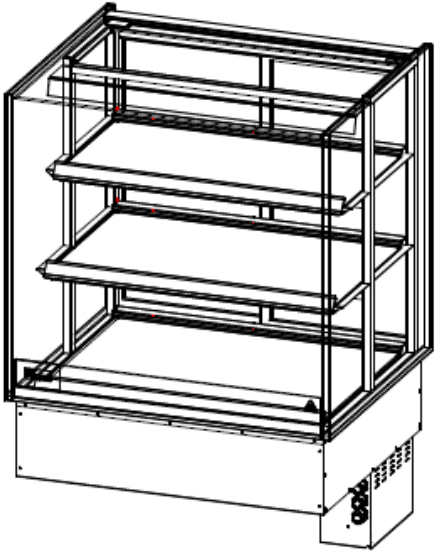
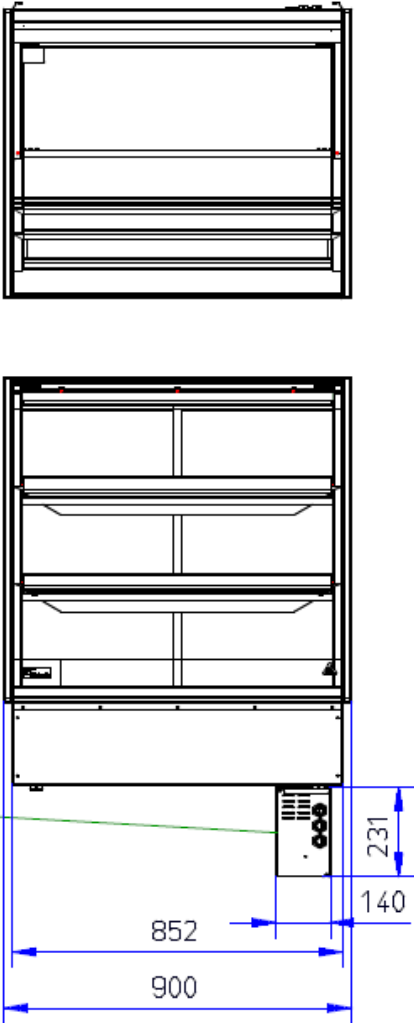
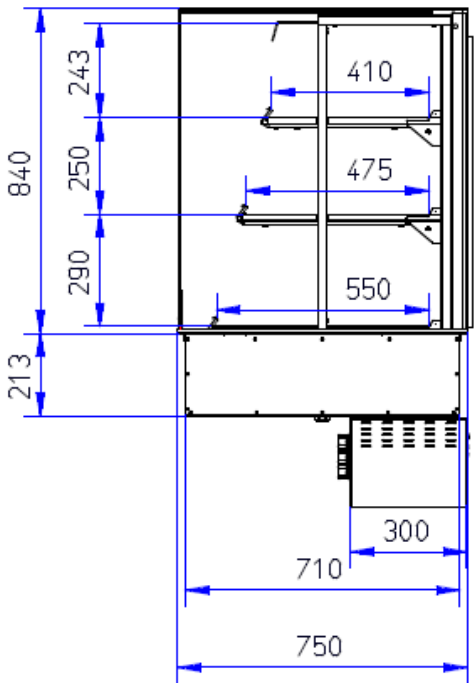
Make sure the shelf holders are placed in the required sleeve, for the wanted angled or straight position of the shelves.



Shelf rails of top shelf should be placed in lowest position.

Shelf rails of middle shelf should be placed in highest position

## 5.1 MCC 90 Drop-in Dimensions Self Serve



Control box can be mounted remotely  
up to 1 meter from indicated position

Allow cut-out for drop-in: 867x725 (+/- 5)  
Please refer to installation manual

## 5.2 MCC Cold Drop-in Specifications Self Serve

Specification	Unit	Model			
		60-3	90-3	120-3	
<b>General</b>					
Length incl. end walls	mm	n.a.	900	1200	
Length excl. end walls	mm	n.a.	850	1150	
Depth	mm	n.a.	750	750	
Height on stand	mm	n.a.	1420	1420	
Height above worktop	mm	n.a.	840	840	
Underframe height	mm	n.a.	580	580	
Plinth height	mm	n.a.	100	100	
Drop-in cut out (W x D)	mm	n.a.	867 x 725 (+/- 5)	1167 x 725 (+/- 5)	
Electronics panel cut out (W x H)	mm	n.a.	153 x 244 (+/- 5)	1467 x 725 (+/- 5)	
Weight (net)	kg	n.a.	175	202	
Weight (gross)	kg	n.a.	207	240	
Packaging dimensions (W x D x H)	mm	n.a.	1020 x 870 x 1460	1320 x 870 x 1460	
Nr. of presentation levels		n.a.	3	3	
Dimensions bottom shelf	mm	n.a.	590 x 800	590 x 1100	
Dimensions middle shelf	mm	n.a.	475 x 800	475 x 1100	
Dimensions top shelf	mm	n.a.	410 x 800	410 x 1100	
Shelf display area	m <sup>2</sup>	n.a.	1,18	1,62	
Usable display volume	l	n.a.	258	355	
Drain diameter	mm	n.a.	32	32	
Minimum room floor area	m <sup>2</sup>	n.a.	11,00	14,35	
Minimum air inlet surface area	cm <sup>2</sup>	n.a.	1100	1250	
Minimum air outlet surface area	cm <sup>2</sup>	n.a.	500	700	
				900	
Specification	Unit	60-3	90-3	120-3	150-3
<b>Performance</b>					
Climate class*		n.a.		3	
Classification*		n.a.		M1	
TDA*	m <sup>2</sup>	n.a.	1,18	1,60	2,02
TEC at 3M1*	kWh/day	n.a.	12,8	t.b.d.	t.b.d.
TEC/TDA at 3M1*	kWh/day/m <sup>2</sup>	n.a.	10,85	t.b.d.	t.b.d.
Energy class at 3M1*		n.a.	E	t.b.d.	t.b.d.
TEWI**	kg of CO <sub>2</sub>	n.a.	27023	t.b.d.	t.b.d.
Sound pressure	dB(A)	n.a.	<70		
Minimum ambient temperature	°C	n.a.	17		
Maximum ambient temperature	°C	n.a.	25		
Maximum relative air humidity	%	n.a.	60		

\* According to ISO 23953, open front, test type 1 (24 hours without night cover)

\*\* Total equivalent warming impact according to EN 378, based on 10 years of operation at climate class 3, 0,295 kg CO<sub>2</sub>/kWh and a leakage rate of 1% per year



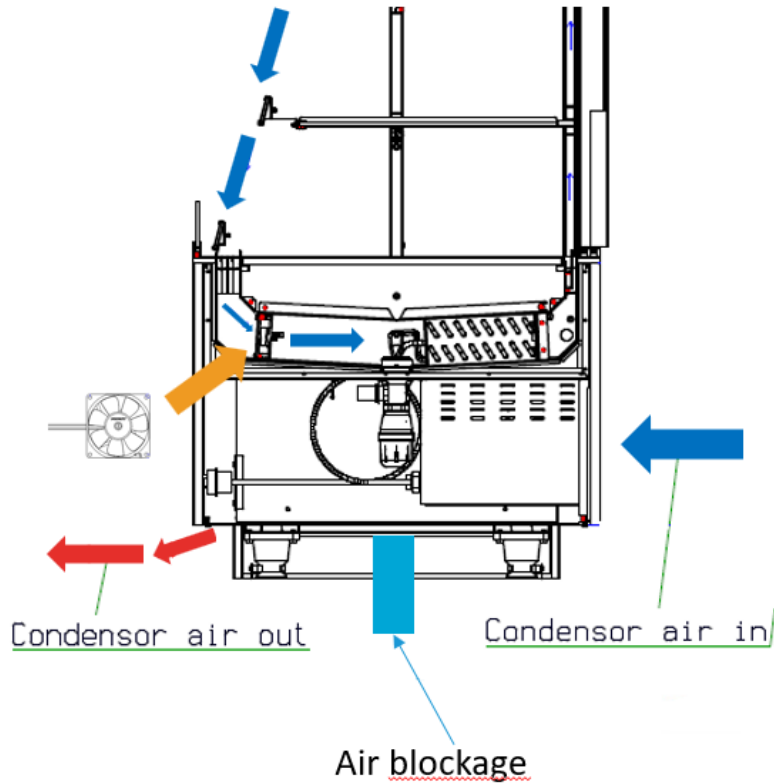
**Note:**

Airflow inside the cabinet is crucial.

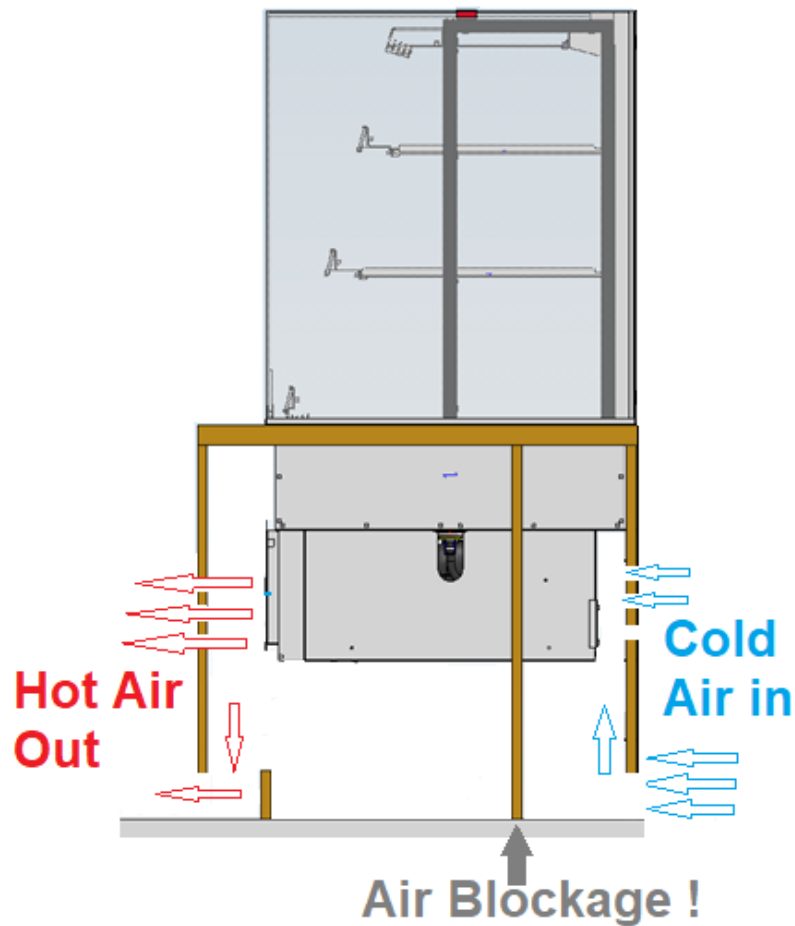
Air intake and Air outlet are not allowed to interfere.

A physical barrier **must be** placed in between the two air flows.

Air inlet and air outlet surfaces must comply with the specifications, (see previous page)



**Airflow Drop in unit, see below**





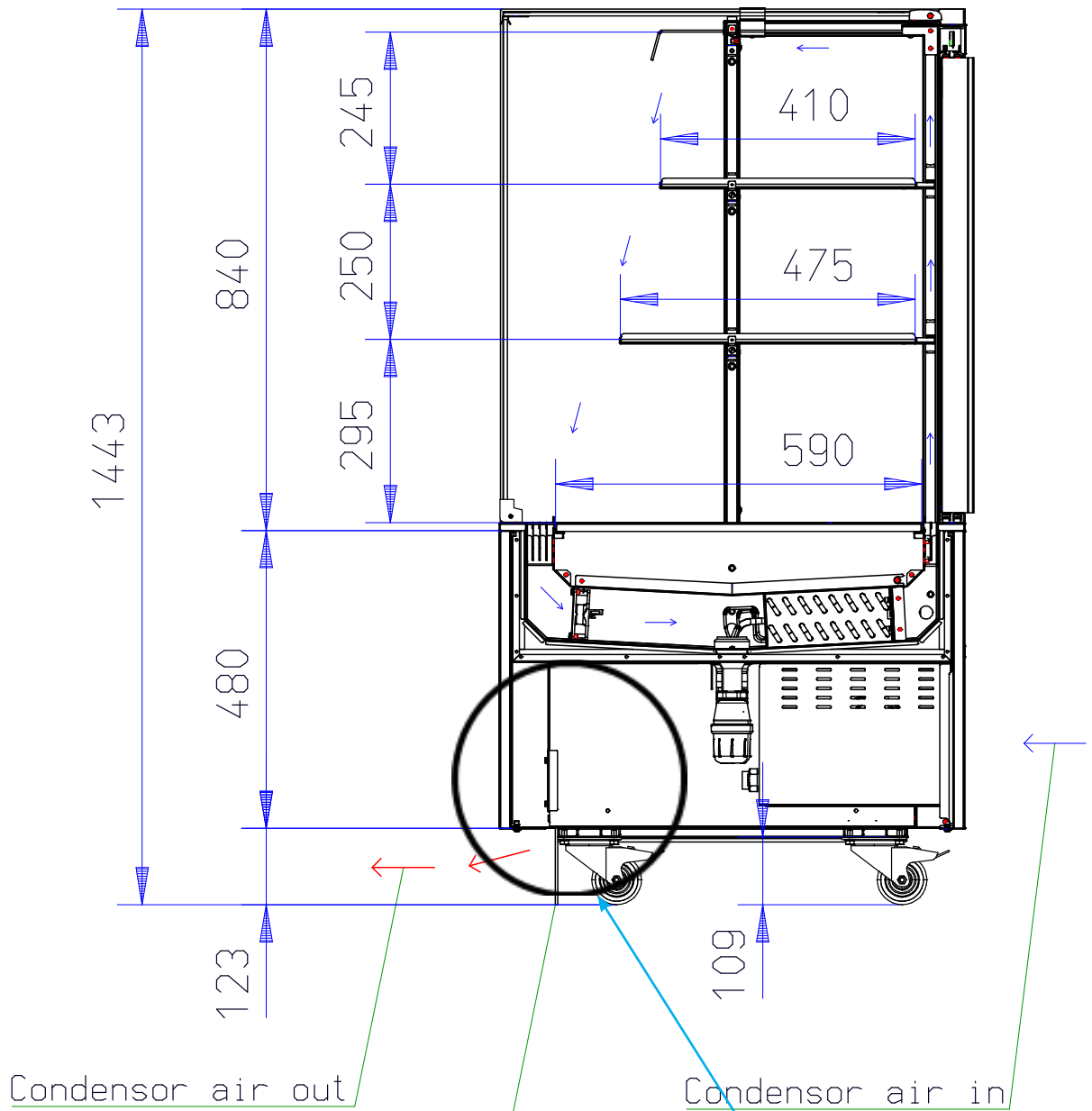
**Note:**

Airflow inside the cabinet is crucial.

Air intake and Air outlet are not allowed to interfere.

A physical barrier **must be** placed in between the two air flows.

Air inlet and air outlet surfaces must comply with the specifications, (see previous page)



Flexible floor seal front or back to prevent air circulation



MCC placed on wheels will always need a floor seal (as seen on picture) in order to prevent warm outlet air being sucked in at the air inlet, condenser side.(back side of unit)



## 5.3 MCC Cold Drop-in Requirements Self Serve

### Important remark before installation:



When installing Front doors on the drop in unit, Please follow Front door installation procedure, until step in which the glass is put in.

Placing the doors in a later stage, means the unit must be lifted again.

### **Installation must comply with:**

- No spark-forming components or components with a high surface temperature (according to IEC 60079-15) may be present in the substructure/counter where the counter is placed
- The refrigeration components must not be directly accessible by unauthorized personnel (according to IEC 60335-2-89)
- Make sure that the counter is still easily accessible for service after installation by means of a removable hatch.  
The condenser must be cleaned regularly
- Keep enough space on the back of the unit, to enable servicing which implies the back panel of the counter can be removed
- Provide enough space to place the counter with a stacker.  
Maintain the dimensions and minimum height as indicated in the installation manual (also applies to hot units)
- Provide adequate ventilation; keep the minimum air inlet and outlet opening as indicated in the installation manual.  
**Place baffles to prevent hot exhaust air from being sucked back through the condenser**
- Make sure that the room/shop in which the furniture is placed meets the minimum dimensions as indicated in the installation manual
- All warning signs/labels, minimum floor area label (Cold unit) and data plate must remain visible after installation
- Operation of the appliance must be accessible.
- Additional ventilation: prevent gas accumulation due to leakage.
- Avoid high temperatures (> 200 ° C) in the vicinity of the furniture

## 5.4 MCC Drop-in Installation (Self Serve)

### MCC Cold version:

#### **Important remark before installation:**

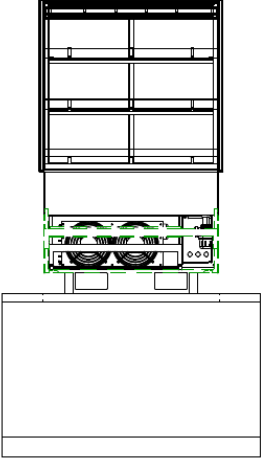
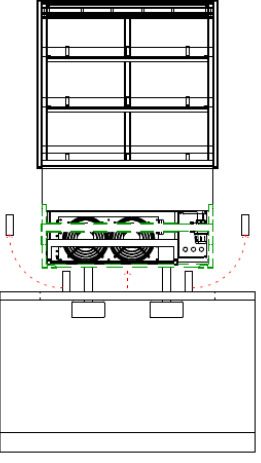
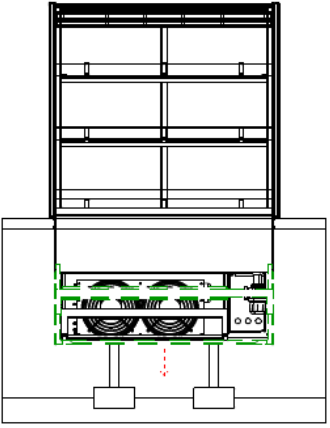
When installing Front doors on the drop in unit, Please follow Front door installation procedure 9124721, until the step in which the glass is put in. Placing the doors in a later stage, means the unit must be lifted again.

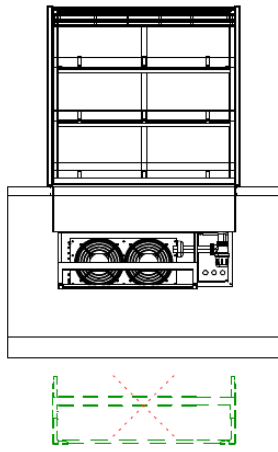
#### **Installation must comply with:**

- No spark-forming components or components with a high surface temperature may be present in the substructure / counter where the furniture is placed.
- The refrigeration components must not be directly accessible by unauthorized Personnel.
- Make sure that the furniture is still easily accessible for service after installation by means of a removable hatch. The condenser must be cleaned regularly.

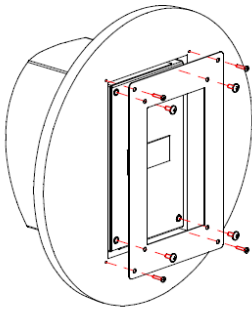
Keep enough space on the back of the unit, to enable servicing which implies the back panel of the furniture can be removed.

- Provide enough space to place the furniture with a stacker. Maintain the dimensions and minimum height as indicated in the installation manual.
- Provide adequate ventilation; keep the minimum air inlet and outlet opening as indicated in the installation manual. Place baffles to prevent hot exhaust air from being sucked back through the condenser.
- Make sure that the room / shop in which the furniture is placed meets the minimum dimensions as indicated in the installation manual.
- Make sure that the warning signs / labels are / remain visible after installation.
- Operation of the appliance must be accessible.
- Additional ventilation: prevent gas accumulation due to leakage. Used gas is heavier than air.
- Avoid high temperatures in the vicinity of the furniture.

	<p>Step 1.</p> <p>Position the cabinet above the cut-out in the counter top with a forklift and support it using the wooden beams supplied with the unit</p>
	<p>Step 2.</p> <p>Lift the cabinet from below, using stable filler blocks and remove the wooden support beams</p>
	<p>Step 3.</p> <p>Apply sealant or a thin flexible foam seal around the cut-out in the countertop. Carefully lower the cabinet into the counter</p>

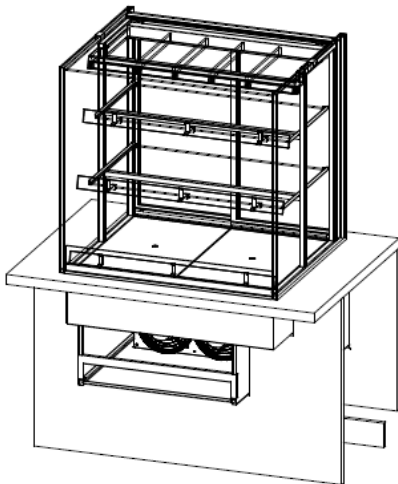


Remove and discard the metal transportation frame.



Step 5.

Install the control panel using the supplied mounting plate and screws. (up to 1 meter from the original position)

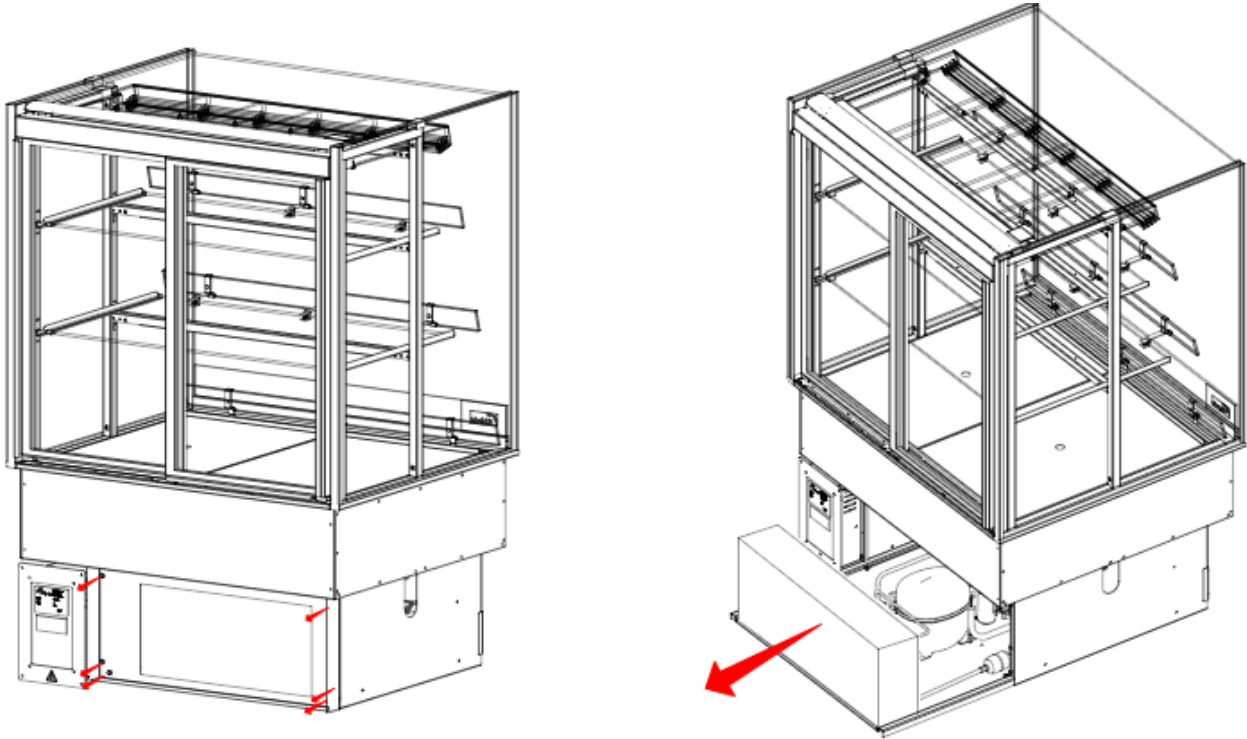


Step 6.

Install a partition panel to prevent recirculation of hot condenser air. (refrigerated models only)

Make sure, after build in, the cool engine is still accessible.

Keep in mind the complete engine is extendable at the back side of the unit for maintenance and service purposes.




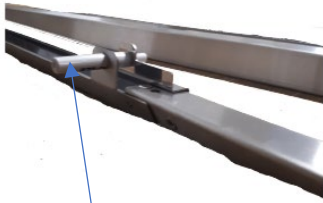
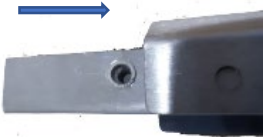





Pos. Number	Amount	Unit	Article number	Description
1	1	pc	9380105	Ass. Front door top supports MCC-90
2	1	pc	9380108	Ass. MCC-90 Front door [Left]
3	1	pc	9380109	Ass. MCC-90 Front door [Right]
4	1	pc	9380107	Ass. bottom support self-close door MCC-90
5	2	pc	9383040	Stainless steel rod Ø2mm


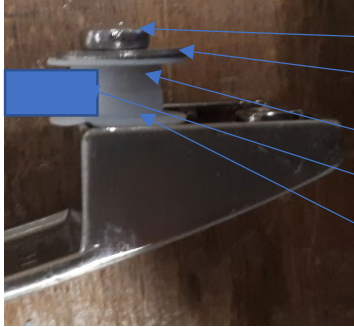


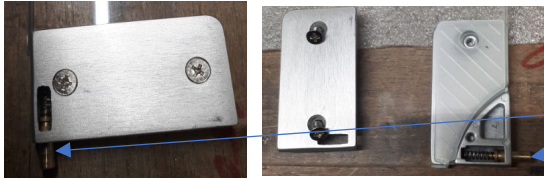


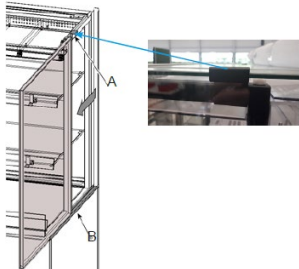
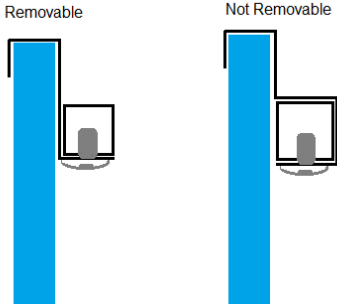
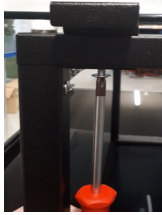
01	29.01.2021	cable	
REVISION	REV. DATE	REMARK	
Tol. principle		Gen. tolerance	Surface treatment
MATERIAL			
MATERIAL	ART. NUMBER	DRAWN	APPROVED
UNIT mm		STATUS In Progress	DATE 04.03.2020
SCALE 1:10		PROJECT	DRAWING NUMBER 9380104
REMARKS			
DESCRIPTION		ART. NUMBER	REV. SIZE
Ass. MCC-90 SS front door module		9380104	A A4

6.0 Installation Front door section (first version)




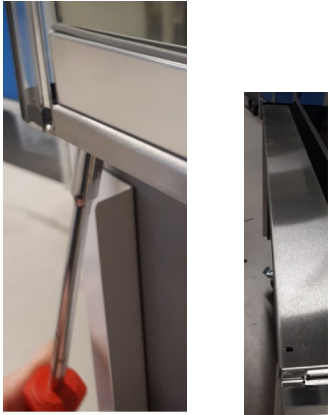
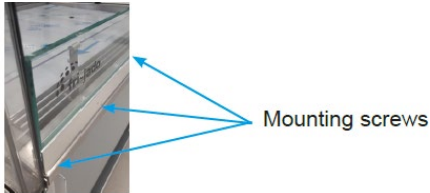
## 6.0 Installation Front door section (first version)

	<p>Step 1.</p> <p>Remove any remaining protective coatings from the stainless steel parts provided.</p>
 <p>Place soft close damper</p>	<p>Step 2.</p> <p>Depending on variant:</p> <p><b>With standard underframe:</b> Remove front underframe panel (two screws, one on each bottom corner).</p> <p><b>Drop-In:</b> Raise the unit at least 30cm from tabletop level in order to access the screws for the child-guard. Be careful to support the unit such that no components or connections underneath the base of the unit are damaged while doing so.</p>
	<p>Step 3.</p> <p>Slide profiles into each other.</p> <p>Be careful to guide the rivet nut into the profile.</p>
	<p>Step 4.</p> <p>Slide square profiles into each other.</p>
	<p>Step 5.</p> <p>Place end cover on profile end.</p>
	<p>Step 6.</p> <p>Mount handle on glass door.</p>

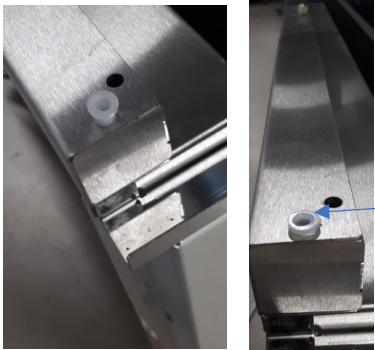

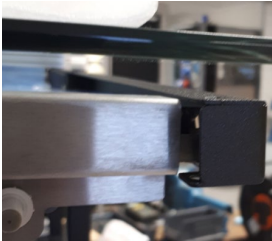

## 6.0 Installation Front door section (first version)

	<p>Step 7.</p> <p>Make sure to use place the white nylon rings on both side of the glass.</p>
	<p>Step 8.</p> <p>Bolt</p> <p>Washer (steel)</p> <p>Nylon washer with collar 1 </p> <p>Glass</p> <p>Nylon washer with collar 2 </p>
	<p>Step 9.</p> <p>Place hinge on glass door. One on the bottom, one on top.</p> <p> (High adjustment washer <a href="#">3701241</a> and <a href="#">3701242</a>)</p> <p>For placement washers wait till step 22</p>
	<p>Step 10.</p> <p>Place glass between nylon sheets Glass position</p>
	<p>Step 11.</p> <p>Remove side glass (both sides)</p> <p><b>CAUTION:</b> Once past the top guide, the glass pane might fall if not properly held</p>
	<p>Step 12.</p> <p>Remove side glass holder, depending on version.</p> 

## 6.0 Installation Front door section (first version)

	<p>Step 13.</p> <p>Remove white stud.</p> <p>Remove top column cover (two screws)</p>
	<p>Optional Step 14. (only necessary when top column is stuck)</p> <p>Remove back cover(s) left and right (sliding door stopper).</p> <p>Both fixed with three screws.</p>
	<p>Step 15.</p> <p>Place new (longer) top column cover (two screws)</p> <p>Re-mount side glass holder. (the first screw)</p> <p>Mount second screw just before back column</p> <p>Replace white stud removed in step 13.</p>
	<p>Step 16.</p> <p>Remove screws (3x) to detach child guard from the bottom (recycle these screws to fix the bottom support!)</p>  <p>Dispose of the child guard in accordance with local regulations</p>

## 6.0 Installation Front door section (first version)

	<p>Step 17.</p> <p>Place square profiles (prepared in step 4) in previous position from child glass.</p> <p>Use same screws to mount.</p> <p>Place nylon bearing in profile (packet in bag with hinge).</p>
	<p>Step 18.</p> <p>Place bumper rubber in bottom profile (two).</p>
	<p>Step 19.</p> <p>Place top profile set (step 3) in top column cover.</p>
	<p>Step 20.</p> <p>Place additional white stud on top of top column cover</p> <p>Place nylon bearing in top column cover from below.</p>
	<p>Step 21.</p> <p>Put glass door in place.</p>
<p style="text-align: center;"><b>Very carefully, try to close the glass door(s). They are not adjusted in height yet,</b></p>	

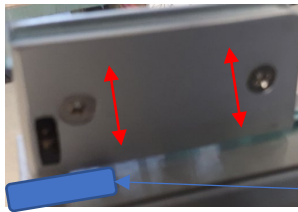
## 6.0 Installation Front door section (first version)

**so they can scratch the bottom plate.**

**Very carefully, try to close the glass door(s).**

**They are not adjusted in height yet,  
so they can scratch the bottom plate.**

Always place height adjustment nylon washer first  
before placing the bottom hinge pin in its bearing



Step 22.

Adjust glass door height by adjusting position in the hinge (place in step 9).

Also available in kit, [3701241](#) and [3701242](#)  
Height adjustment nylon washer set.  
See step 9.



Height adjustment is done by repositioning the hinge on the glass, or adding the height adjustment washer(s).

## 6.1 Installation Front door section (Second version)

### 9124721 Service Instruction Installation front doors MCC (2nd version)

The technician, working on the unit will be fully responsible for abiding the locally prevailing safety rules and regulations.

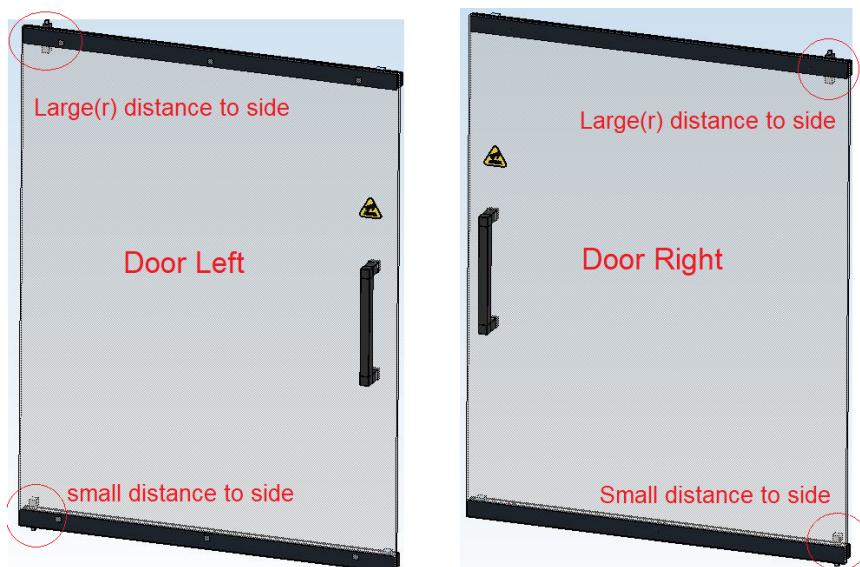
Technical activities must be performed by qualified and authorized persons only.

Before working on any electrical part, or dismantling the unit by means of using a screwdriver or any other tool, **ALWAYS REMOVE THE POWER PLUG** from the main outlet.

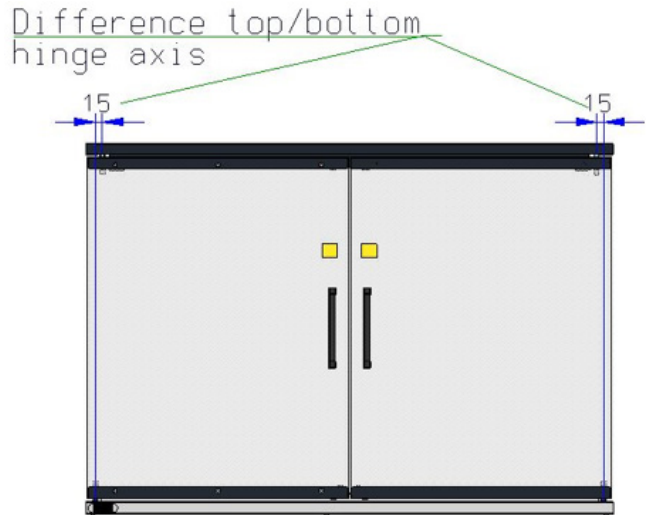
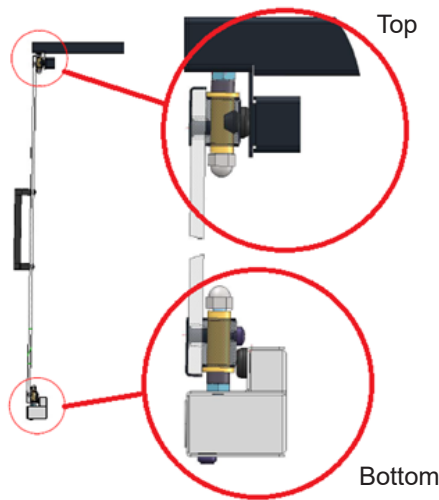


## 6.1 Installation Front door section (Second version)

	Door set
MCC 60	9380369
MCC 90	9380370
MCC 120	9380371
MCC 150	9380372



## 6.1 Installation Front door section (Second version)



Depending on variant:

With standard under frame:

Remove front under frame panel (two screws, one on each bottom corner).

Drop-In:

Raise the unit at least 30cm from tabletop level in order to access the screws for the child-guard. Be careful to support the unit such that no components or connections underneath the base of the unit are damaged while doing so.

### Step 1.

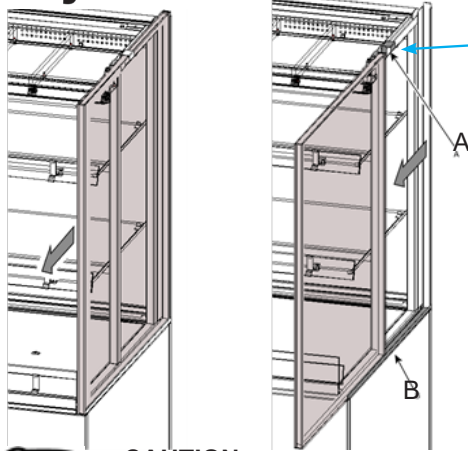
#### Remove Child guard:

*Refer service manual chapter replacement and adjustment*

- a. Remove front panel.
- b. Loosen mounting screws (3x depending on unit length) of child guard. *Screwed from underneath.*
- c. Remove Child guard
- d. Position under beam on place of child guard
- e. Fasten mounting screws.

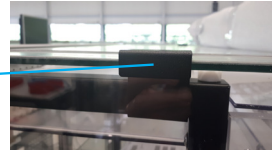


## 6.1 Installation Front door section (Second version)



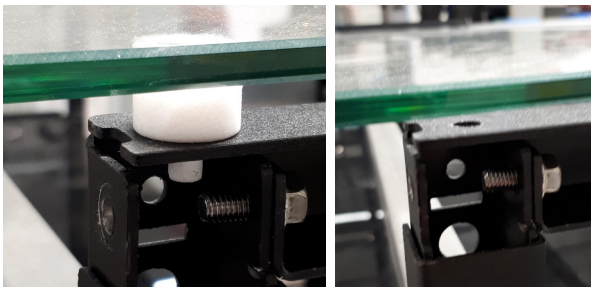
### CAUTION:

Once past the top guide, the glass pane might fall if not properly held. Hence do not leave it standing upright without being supported by both guide rails or holding it.



### Step 2.

- a. **Remove side glass** both sides:
- b. Slide the double glass pane towards the front along the top (A) and bottom (B) guiding rails.
- c. The side pane can be removed from the unit once it has slid entirely past the top guide.



HOT

COLD



### Step 3.

- a. **Remove white (or black) stud**, both sides. *(Black stud is screwed in)*

### Step 4.

- a. **Remove top air guide or assy. air box** (which is applicable depending on version).

### Step 5.

- a. **Remove side glass holder**, left and right.



### Step 6.

- a. **Remove or loosen back cover(s)** left and right (sliding door stopper).

Both fixed with three screws.



## 6.1 Installation Front door section (Second version)

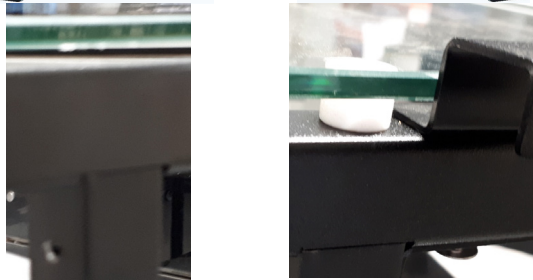
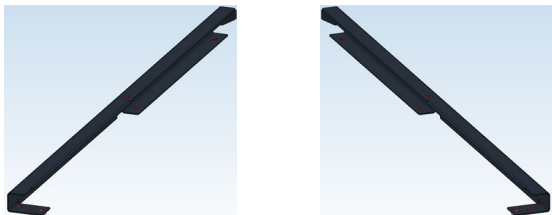


### Step 7.

- a. **Remove top column cover** by removing last screw. (one each side)

### Step 8.

- a. **Place new (longer) top column cover(s)/ window support** (two screws).
- b. Mount screws in new top column cover



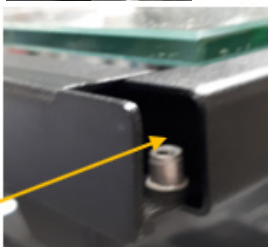
### Step 9.

- a. **Replace white (or black) stud** removed earlier.



### Step 10.

- a. **Replace side glass holder** removed earlier.



### Step 11.

- a. **Place top front beam** in side profiles.  
Slide the beam into the front of the profile.

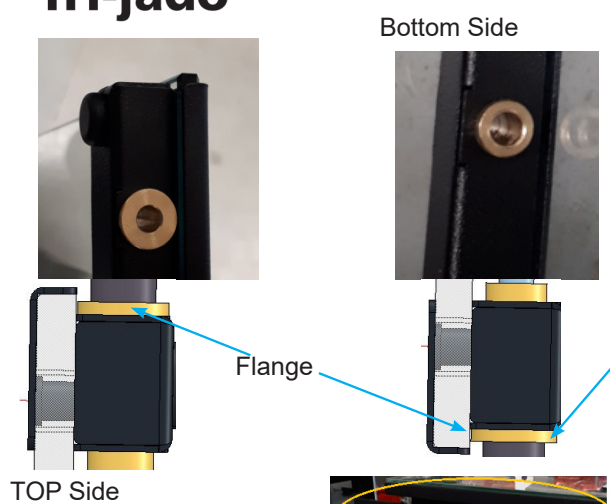


View from underneath

### Step 12.

- a. **Fasten the top front beam** in side profiles with screws. (both sides)

## 6.1 Installation Front door section (Second version)



### Step 13.

- a. **Check placing bearing(s)** in door, one in the top, one at the bottom.

Make sure the flange of the bearing sits opposite of the glass.



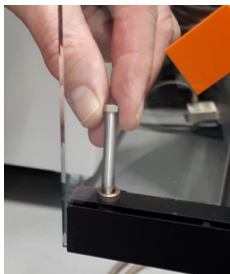
### Step 14.

- a. Place a door on the lower beam, let it stick out of the unit.



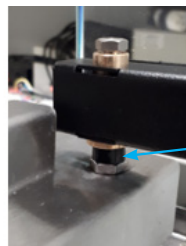
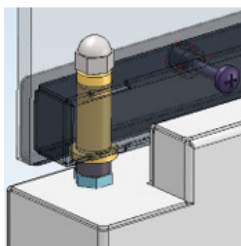
#### CAUTION:

Be careful not to touch the top beam with the glass door.



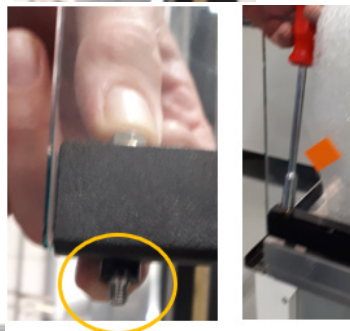
### Step 15.

- a. Place hinge pin into bearing



### Step 16.

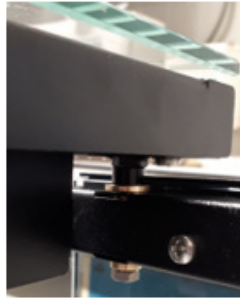
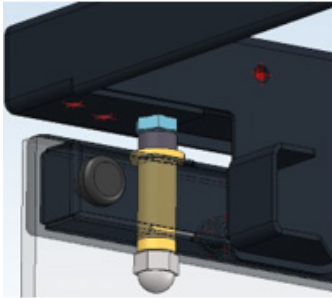
- a. Place distance ring on hinge pin.



### Step 17.

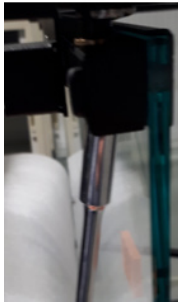
- a. Fasten hinge pin loosely, making sure the door is kept in place

## 6.1 Installation Front door section (Second version)



### Step 18.

- a. Place top hinge pin into top bearing.
- b. Place distance ring on top hinge pin.
- c. Fasten top hinge pin, tighten tight !



### Step 19.

- a. Fasten lower hinge pin, tighten tight !



### Step 20.

Repeat step 14 till 19 for each front door, depending on MCC variation.

Replace removed sliding doors covers in reverse order.

Replace top air guide or assy air box, in reverse order. If this does not fit anymore please order:

## 7.0 Operation MCC Cold

### 7.0 Cold Units



**The display value is not the product temperature!**



When switched on, the display performs a lamp test; the display and LED's will flash for several seconds to check all function are working correctly.








#### 7.0.1 Control Panel

##### Temperature controller

- 1 Display
- 2 Up and Down keys
- 3 Escape/Stand-by key
- 4 Enter key



#### USER INTERFACE

 <b>Reduced SET / Economy LED</b> Permanently on: Energy Saving active Flashing: Reduced SET active Quick flashing: access to level2 parameters Off: otherwise	 <b>Fans LED</b> Permanently on: fans active Off: otherwise
 <b>Compressor LED</b> Permanently on: compressor active Flashing: a delay, a protection or a locked start-up Off: otherwise	 <b>Defrost LED</b> Permanently on: defrost active Flashing: manual or D.I. activation Off: otherwise
 <b>Alarm LED</b> Permanently on: alarm active Flashing: alarm acknowledged Off: otherwise	<b>AUX</b> <b>Aux LED</b> Permanently on: Aux output active Flashing: Deep Cooling cycle active Off: Aux output not active
<b>°C</b> <b>°C LED</b> Permanently on: °C setting (dro = 0) Off: otherwise	<b>°F</b> <b>°F LED</b> Permanently on: °F setting (dro = 1) Off: otherwise

## 7.0 Operation MCC Cold

### 7.0.2 Cold Units

Cold units are factory programmed to achieve a product temperature  $\leq 5$  °C (41 °F) at an ambient of 25 °C (77 °F) with a relative humidity of 60% by a max. draft of 0.2 m/s (0.66 ft/sec).

This corresponds with a 3M1 classification according to ISO 23953:2015.  
The set temperature can be changed from -6 °C to +0 °C (21.2 °F to 32 °F).


#### Switching-on the unit

- Switch the cooling on by means of the temperature controller.
- Let the unit cool for at least 30 minutes.

#### Loading the unit

- Only load products of which the temperature is maximum 4 °C (39.2 °F).
- The maximum loading height is 50mm (2 inch) below the bottom of the shelf/air guide above.
- The maximum carrying-capacity per shelf is 30 kg/m (66 lbs/m), by equal load.

#### Checking the temperature

- During operation the display of the thermostat shows the temperature in the unit. The maximum reading must not exceed 5 °C (41 °F).
- The indication  will light when the cooling is active.




#### Locking/unlocking the keypad

- The keypad locks automatically in the following situations:
- On start-up,
- After 30 seconds of inactivity.

**To unlock the keypad, press and hold  for at least 3 seconds.**

## 7.0 Operation MCC Cold

### Checking the SET temperature







1. Unlock the keypad by pressing and holding  for at least 3 seconds.
2. Press and release *SET* to access the “*Machine status*” menu.
3. Scroll through the folders with  and  until you find the folder **Pb1**, **Pb2** or **Pb3**.
4. Press *SET* to view the value measured by the corresponding probe.



Notes:

- The displayed value cannot be changed.
- Folder **Pb2** can only be viewed on models that manage probe **Pb2**.
- Folder **Pb3** can only be viewed on models that manage probe **Pb3**.

### Adjusting the SET Temperature

1. To unlock the keypad, press and hold  for at least 3 seconds, until the label “*UnL*” appears.
2. Press and release *SET* to access the “*Machine status*” menu.
3. Scroll through the folders with  and  until you find the folder *SEt*.
4. Press *SET* to view the current set point value.
5. Change the set point value using  and  within 15 seconds.
6. To confirm the value press *SET* or , let a timeout occur (15 seconds).

### Checking the product temperature

- Once every hour, the product temperature should be checked using a digital thermometer, write down the measured values in a log.
- Always use a disinfected thermometer sensor.

### Switching off

- Remove all products from the unit.  
In order to avoid temperature rise of the products, store them in another cooling unit.
- Switch the cooling off.

## 8.0 Maintenance



### CLEANING AND MAINTENANCE

#### WARNING



Never use a water hose for cleaning.  
Water can seep into the unit through the ventilation holes of the unit.

Because of hygiene aspects and optimum condition of the unit it is of up most importance to keep a daily cleaning pattern from first use onwards.

#### Maintenance schedule for users

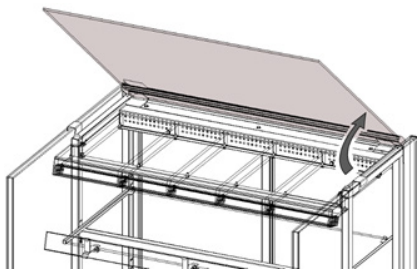
Item	Action	Frequency
Inside	Clean	Daily
Glass Panes	Clean	Weekly
Outside	Clean Use Stainless Steel cleaning spray to remove stains, and restoring the gloss.	Weekly
Condenser	Clean	Monthly

For detailed cleaning instructions refer to User manual chapter 5

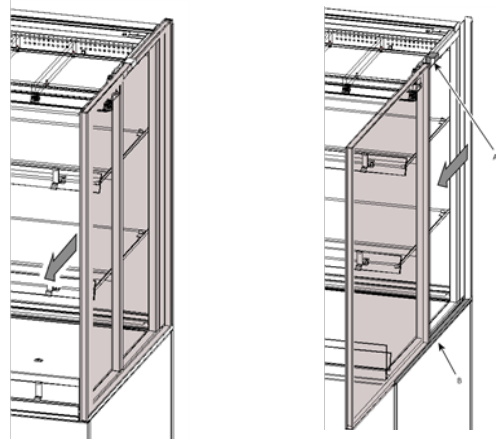


Examples:

Cleaning possibility the top glass pane all units



Cleaning possibility side pane all units



Cleaning possibility off the top air guides



## 8.1 Parameter MCC Cold Settings (Self Serve)

MCC Cold SS Eliwell EWPlus 974 EO

Table of "user" menu paramters			
Parameter	Description	Value	Unit
SEt	Temperature Setpoint	1	°C
diF	Compressor relay activation differential	1	°C
HSE	Maximum value that can be assigned to the Setpoint	5	°C
LSE	Minimum value that can be assigned to the Setpoint	-1	°C
dtY	Type of defrost (0 = electrical, 1 = reverse cycle, 2 = "Free")	0	num
dit	Interval between the start of two consecutive defrost cycles	3	hours
dEt	Defrost timeout; determines the maximum defrost duration	30	min
dSt	Defrost end temperature (determiend by evaporator probe)	4	°C
FSt	Fan stop temperature	50	°C
Fdt	Fan activation delay after a defrost cycle	0	min
dt	Coil drainage time	0	min
dFd	Allows to select the evaporator probes exclusion during defrost	n	flag
HAL	Maximum temperature alarm	10	°C
LAL	Minimum temperatre alarm	-30	°C
tAO	Temperature alarm signal delay time	30	min
dCS	Deep cooling cycle setpoint	-1	°C
tdC	Deep cooling cycle duration	0	min
OSP	Offset on setpoint	0,5	°C
OdF	Intervention differential correction	4	°C
dnt	Duration of night mode	10	hours
DfT	Duration of fast cooling mode	1	hours
SPn	Night mode setpoint	1	°C
dFn	Night mode offset	2	°C
SPF	Fast cooling setpoint	-1	°C
dFF	Fast cooling offset	0,1	°C
LOC	LOCK Setpoint change shutdown	n	flag
PS1	Password 1	0	num
CA1	Calibration 1 (Pb1)	5	°C
CA2	Calibration 2 (Pb2)	0	°C
CA3	Calibration 3 (Pb3)	0	°C
ddt	Display mode during defrost	2	num
Ldd	Timeout value for display unlick	30	min
H42	Evaporator probe present	y	flag
rEL	firwarme rELease		
tAb	tAble of parameters		

Table of "installer" menu parameters

## 8.1 Parameter MCC Cold Settings (Self Serve)

Parameter	Description	Value	Unit
SEt	Temperature Setpoint	1	°C
<b>Compressor ("CP" folder)</b>			
diF	Compressor relay activation differential	1	°C
HSE	Maximum value that can be assigned to the Setpoint	5	°C
LSE	Minimum value that can be assigned to the Setpoint	-1	°C
Ont	Controller on time for faulty probe	0	min
OfF	Controller off time for faulty probe	1	min
dOn	Compressor relay activation delay after request	0	secs
dOF	Deflay after switching off and subsequent activation	0	min
dbi	Delay between two concsecutive compressor activations	2	min
OdO	Delay in activating outputs after the instrument is switched on or after a power failure	0	min
dFA	Delay fimte in activating compressor and condenser fans after request	0	secs
<b>Defrost ("dEF" folder)</b>			
dtY	Type of defrost (0 = electrical, 1 = reverse cycle, 2 = "Free")	0	num
dit	Interval between the start of two consecutive defrost cycles	3	hours
dCt	Selects the count mode for the defrost interval	1	num
dOH	Defrost start delay time after request	0	min
dEt	Defrost timeout; determines the maximum defrost duration	30	min
dSt	Defrost end temperature (determiend by evaporator probe)	4	°C
dPO	Determines whether the instrument must enter defrost mode	y	flag
dSE	Temperature threshold for start of defrost	0	°C
dtT	Time for which the temperature of the evaporator must remain below dSE	0	min
<b>Fan regulator ("Fan" folder)</b>			
FPt	Characterizes the "Fst" parameter	0	flag
FSt	Fan stop temperature	50	°C
Fad	Fan starting differential	1	°C
Fdt	Fan activation delay after a defrost cycle	0	min
dt	Coil drainage time	0	min
dFd	Allows to select the evaporator probes exclusion during defrost	n	flag
FCO	Evaporator fans operating mode	1	num
FdC	Evaporator fans switch-off delay after compressor disabled	0	min
Fon	Fans ON time in duty cycle	12	secs*10
FoF	Fans OF time in duty cycle	6	secs*10
Fnn	Fans ON time in night duty cycle	1	secs*10
FnF	Fans OF time in night duty cycle	12	secs*10
<b>Alarms ("AL" folder)</b>			
Att	Parameters HAL and LAL	0	num
AFd	Alarm differential	2	°C
HAL	Maximum temperature alarm	10	°C
LAL	Minimum temperatre alarm	-30	°C

## 8.1 Parameter MCC Cold Settings (Self Serve)

PAO	Alarm exclusion time after instrument switch on, after a power failure	0	hours
dAO	Temperature alarm exclusion time after defrost	0	min
OA0	Alarm signaling delay after digital input disabling	0	hours
tdO	Alarm activation delay time open door	0	hours
tAO	Temperature alarm signal delay time	30	min
dAt	Alarm for defrosting ended due to time out	n	flag
rLO	External alarm locks controller	n	flag
AOP	Alarm outp polarity	1	num
SA3	Probe Pb3 Alarm Setpoint	30	°C
dA3	Probe Pb3 alarm activation differential	1	°C
<b>Cool protection ("CPr" folder)</b>			
CPS	Cool protection setpoint	-10	°C
CPd	Cool protection differential	1	°C
CPT	Time that the temperature remains below the cool protection setpoint	0	min
<b>Lights &amp; digital inputs ("Lit" folder)</b>			
dOd	Enable utility switch-off on activation of door switch	0	num
dad	Activation delay for digital input	0	min
dCO	Compressor deactivation delay after door opened	0	min
dCd	Fans activation delay after door closed	10	secs
<b>Pressure switch ("Pre" folder)</b>			
Pen	Number of errors allowed for general pressure switch input	5	num
PEI	Minimum/maximum pressure switch error count interval	1	min
Pet	Delay in activating compressor after pressure switch deactivation	0	min
<b>Deep cooling ("dEC" folder)</b>			
dCA	Enable deep cooling	0	num
dCS	Deep cooling setpoint	-1	°C
tdC	Deep cooling duration	0	min
dcc	Defrost delay after deep cooling	0	min
Sid	Deep cooling start threshold	12	°C
toS	Over-threshold time for deep cooling start	5	min
<b>Energy saving ("EnS" folder)</b>			
Est	Energy Saving mode	0	num
ESA	AUX output status in energy saving mode	0	num
ESF	Night mode activation for fans	y	flag
Cdt	Door close time	60	min*10
ESo	Cumulative door open time for disabling Energy Saving mode	0	num
OSP	Offset on setpoint	0,5	°C
OdF	Intervention differential correction	4	°C
dnt	Duration of night mode	10	hours
dFt	Duration of fast cooling mode	1	hours
SPn	Night mode setpoint	1	°C

## 8.1 Parameter MCC Cold Settings (Self Serve)

dFn	Night mode offset	2	°C
SPF	Fast cooling setpoint	-1	°C
dFF	Fast cooling offset	0,1	°C
ESP	Virtual door regulator's sensitivity	0	num
dOt	Maximum Time Door Open with virtual door switch	0	secs
<b>Communication ("Add" folder)</b>			
PtS	Communication protocol selection	t	flag
dEA	Device address	0	num
FAA	Family address	0	num
Pty	Modbus parity bit setting	n	num
StP	Modbus stop bit setting	1b	flag
<b>Display ("dIS" folder)</b>			
LOC	LOCK Setpoint change shutdown	n	flag
PS1	Password 1	0	num
PS2	Password 2	0	num
ndt	Display with decimal point	y	num
CA1	Calibration 1 (Pb1)	5	°C
CA2	Calibration 2 (Pb2)	0	°C
CA3	Calibration 3 (Pb3)	0	°C
ddL	Display mode during defrost	2	num
Ldd	Timeout value for display unlick	15	min
dro	Select °C or °F	0	num
ddd	Selection of type of value to be displayed	1	num
<b>Configuration ("CnF" folder)</b>			
H08	Stand-by operating mode	2	num
H11	Configuration of digital input 1	10	num
H12	Configuration of digital input 2	0	num
H21	Configurability of digital output 1	1	num
H22	Configurability of digital output 2	3	num
H23	Configurability of digital output 3	5	num
H25	Enable/Disable buzzer	0	num
H32	Configurability of down key	2	num
H33	Configurability of ESC key	4	num
H42	Evaporator probe present	y	flag
H43	Probe 3 present	n	flag
reL	reLease firmware		
tAb	tAble of parameters		
<b>Copy card ("Fpr" folder)</b>			
UL	Upload		
Fr	Format Copy Card		

## 8.2 Parameter MCC Cold Settings (Full Serve)

MCC Cold FS	Eliwell EWPlus 974 EO	9124651	Rev. A
-------------	-----------------------	---------	--------

Table of "user" menu paramters			
Parameter	Description	Value	Unit
SEt	Temperature Setpoint	1,0	°C
diF	Compressor relay activation differential	1	°C
HSE	Maximum value that can be assigned to the Setpoint	5	°C
LSE	Minimum value that can be assigned to the Setpoint	-1	°C
dtY	Type of defrost (0 = electrical, 1 = reverse cycle, 2 = "Free")	0	num
dit	Interval between the start of two consecutive defrost cycles	6	hours
dEt	Defrost timeout; determines the maximum defrost duration	30	min
dSt	Defrost end temperature (determiend by evaporator probe)	4	°C
FSt	Fan stop temperature	50	°C
Fdt	Fan activation delay after a defrost cycle	0	min
dt	Coil drainage time	0	min
dFd	Allows to select the evaporator probes exclusion during defrost	n	flag
HAL	Maximum temperature alarm	10	°C
LAL	Minimum temperatre alarm	-30	°C
tAO	Temperature alarm signal delay time	30	min
dCS	Deep cooling cycle setpoint	-1	°C
tdC	Deep cooling cycle duration	0	min
OSP	Offset on setpoint	0,5	°C
OdF	Intervention differential correction	4	°C
dnt	Duration of night mode	10	hours
DFt	Duration of fast cooling mode	1	hours
SPn	Night mode setpoint	1	°C
dFn	Night mode offset	2	°C
SPF	Fast cooling setpoint	-1	°C
dFF	Fast cooling offset	0,1	°C
LOC	LOCK Setpoint change shutdown	n	flag
PS1	Password 1	0	num
CA1	Calibration 1 (Pb1)	4,8	°C
CA2	Calibration 2 (Pb2)	0	°C
CA3	Calibration 3 (Pb3)	0	°C
ddt	Display mode during defrost	2	num
Ldd	Timeout value for display unlick	30	min
H42	Evaporator probe present	y	flag
rEL	firwarme rELease		
tAb	tAble of parameters		

Table of "installer" menu parameters			
Parameter	Description	Value	Unit
SEt	Temperature Setpoint	1	°C
<b>Compressor ("CP" folder)</b>			
diF	Compressor relay activation differential	1	°C
HSE	Maximum value that can be assigned to the Setpoint	5	°C
LSE	Minimum value that can be assigned to the Setpoint	-8	°C
Ont	Controller on time for faulty probe	0	min
Oft	Controller off time for faulty probe	1	min

## 8.2 Parameter MCC Cold Settings (Full Serve)

dOn	Compressor relay activation delay after request	0	secs
dOF	Deflay after switching off and subsequent activation	0	min
dbi	Delay between two concsecutive compressor activations	2	min
OdO	Delay in activating outputs after the instrument is switched on or after a power failure	0	min
dFA	Delay fimte in activating compressor and condenser fans after request	0	secs
<b>Defrost ("dEF" folder)</b>			
dtY	Type of defrost (0 = electrical, 1 = reverse cycle, 2 = "Free")	0	num
dit	Interval between the start of two consecutive defrost cycles	6	hours
dCt	Selects the count mode for the defrost interval	1	num
dOH	Defrost start delay time after request	0	min
dEt	Defrost timeout; determines the maximum defrost duration	30	min
dSt	Defrost end temperature (determiend by evaporator probe)	4	°C
dPO	Determines whether the instrument must enter defrost mode	y	flag
dSE	Temperature threshold for start of defrost	0	°C
dtT	Time for which the temperature of the evaporator must remain below dSE	0	min
<b>Fan regulator ("Fan" folder)</b>			
FPt	Characterizes the "Fst" parameter	0	flag
FSt	Fan stop temperature	50	°C
Fad	Fan starting differential	1	°C
Fdt	Fan activation delay after a defrost cycle	0	min
dt	Coil drainage time	0	min
dFd	Allows to select the evaporator probes exclusion during defrost	n	flag
FCO	Evaporator fans operating mode	1	num
FdC	Evaporator fans switch-off delay after compressor disabled	0	min
Fon	Fans ON time in duty cycle	12	secs*10
FoF	Fans OF time in duty cycle	6	secs*10
Fnn	Fans ON time in night duty cycle	1	secs*10
FnF	Fans OF time in night duty cycle	12	secs*10
<b>Alarms ("AL" folder)</b>			
Att	Parameters HAL and LAL	0	num
AFd	Alarm differential	2	°C
HAL	Maximum temperature alarm	10	°C
LAL	Minimum temperatre alarm	-30	°C
PAO	Alarm exclusion time after instrument switch on, after a power failure	0	hours
dAO	Temperature alarm exclusion time after defrost	0	min
OAO	Alarm signaling delay after digital input disabling	0	hours
tdO	Alarm activation delay time open door	0	hours
tAO	Temperature alarm signal delay time	30	min
dAt	Alarm for defrosting ended due to time out	n	flag
rLO	External alarm locks controller	n	flag
AOP	Alarm outp polarity	1	num
SA3	Probe Pb3 Alarm Setpoint	30	°C
dA3	Probe Pb3 alarm activation differential	1	°C
<b>Cool protection ("CPr" folder)</b>			
CPS	Cool protection setpoint	-10	°C
CPd	Cool protection differential	1	°C
CPT	Time that the temperature remains below the cool protection setpoint	0	min

## 8.2 Parameter MCC Cold Settings (Full Serve)

Lights & digital inputs ("Lit" folder)			
dOd	Enable utility switch-off on activation of door switch	0	num
dad	Activation delay for digital input	0	min
dCO	Compressor deactivation delay after door opened	0	min
dCd	Fans activation delay after door closed	10	secs
Pressure switch ("Pre" folder)			
Pen	Number of errors allowed for general pressure switch input	5	num
PEI	Minimum/maximum pressure switch error count interval	1	min
Pet	Delay in activating compressor after pressure switch deactivation	0	min
Deep cooling ("dEC" folder)			
dCA	Enable deep cooling	0	num
dCS	Deep cooling setpoint	-1	°C
tdC	Deep cooling duration	0	min
dcc	Defrost delay after deep cooling	0	min
Sid	Deep cooling start threshold	12	°C
toS	Over-threshold time for deep cooling start	5	min
Energy saving ("EnS" folder)			
Est	Energy Saving mode	0	num
ESA	AUX output status in energy saving mode	0	num
ESF	Night mode activation for fans	y	flag
Cdt	Door close time	60	min*10
ESo	Cumulative door open time for disabling Energy Saving mode	0	num
OSP	Offset on setpoint	0,5	°C
OdF	Intervention differential correction	4	°C
dnt	Duration of night mode	10	hours
dFt	Duration of fast cooling mode	1	hours
SPn	Night mode setpoint	1	°C
dFn	Night mode offset	2	°C
SPF	Fast cooling setpoint	-1	°C
dFF	Fast cooling offset	0,1	°C
ESP	Virtual door regulator's sensitivity	0	num
dOt	Maximum Time Door Open with virtual door switch	0	secs
Communication ("Add" folder)			
PtS	Communication protocol selection	t	flag
dEA	Device address	0	num
FAA	Family address	0	num
Pty	Modbus parity bit setting	n	num
StP	Modbus stop bit setting	1b	flag
Display ("dIS" folder)			
LOC	LOCK Setpoint change shutdown	n	flag
PS1	Password 1	0	num
PS2	Password 2	0	num
ndt	Display with decimal point	y	num
CA1	Calibration 1 (Pb1)	4,8	°C
CA2	Calibration 2 (Pb2)	0	°C
CA3	Calibration 3 (Pb3)	0	°C
ddL	Display mode during defrost	2	num
Ldd	Timeout value for display unlick	15	min

## 8.2 Parameter MCC Cold Settings (Full Serve)

dro	Select °C or °F	0	num
ddd	Selection of type of value to be displayed	1	num
<b>Configuration ("CnF" folder)</b>			
H08	Stand-by operating mode	2	num
H11	Configuration of digital input 1	10	num
H12	Configuration of digital input 2	0	num
H21	Configurability of digital output 1	1	num
H22	Configurability of digital output 2	3	num
H23	Configurability of digital output 3	5	num
H25	Enable/Disable buzzer	0	num
H32	Configurability of down key	2	num
H33	Configurability of ESC key	4	num
H42	Evaporator probe present	y	flag
H43	Probe 3 present	n	flag
reL	reLease firmware		
tAb	tAble of parameters		
<b>Copy card ("Fpr" folder)</b>			
UL	Upload		
Fr	Format Copy Card		

## 8.3 Safety Instructions

### 8.5

#### Safety instructions Cold Units



R290

Units with the natural refrigerant propane (R290) must be installed in a safe Environment that meets the requirements of the respective directive. Exclusively electrical devices may be used inside the unit that are certified by the applicable ATEX directive. The operator is responsible for this.

*Read this manual carefully and follow all precautions described herein*



#### **SPECIAL SAFETY INSTRUCTIONS FOR UNITS WITH PROPANE (R290) REFRIGERANT**

- In the event of the installation or combination with units as well as electrical / Refrigeration system components that do not comply with an R290 design in Accordance with the respective directives, the unit must be covered and Separated from the adjoining units/components.
- The refrigerant circuit may be exclusively opened and the refrigerant extracted in a well ventilated room or outdoors.
- Work on the refrigeration system is to be carried out exclusively by authorized, Qualified specialists who are trained for the refrigerant propane (R290).
- Exclusively electrical devices may be used inside the unit that are certified by the applicable ATEX directive .
- The cooling circuit and refrigeration system of the unit must not be damaged. This can lead to an unintentional exothermic reaction of the ignitable gas/air mix.
- The ventilation openings of the cladding of the unit (including accessories) must not be blocked or covered. In the event of a leak in the refrigeration system, this can lead to an unintentional exothermic reaction of the ignitable gas/air mix.
- All ventilation openings wherever on the front and / or back side of the appliance must be kept free.  
The minimum distances to other units must be complied with.  
Make sure that the air circulation is unobstructed.  
In the event of a leak in the refrigeration system, a blockage of the air circulation can lead to an unintentional exothermic reaction of the ignitable gas/air mix.
- According to the standard DIN EN 378-1, the refrigerant propane is combustible and explosive (refrigerant group A3).
- The refrigerant propane (R290) can create an ignitable gas/air mix, which can trigger an exothermic reaction in a critical mixing ratio with air and in connection with the respective ignition energy (ignition source).

## 8.4 Maintenance Points MCC Cold

### 8.6 Condenser Cleaning (cold units)



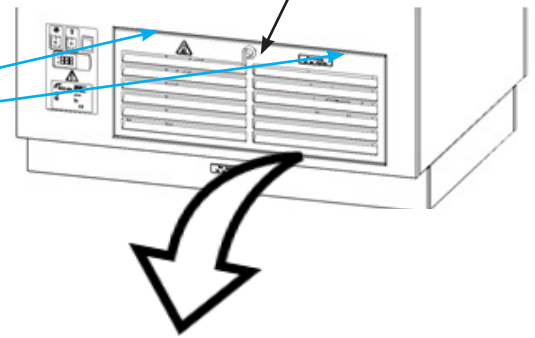
#### WARNING

Cleaning of the condenser must be performed by qualified persons and in a well ventilated environment.

Unscrew the condenser cover (this can be done using the special key, or by unscrewing two closing screws, depending on the version)

Screws

Special key



Keep condenser free from dirt and dust, clean regularly.

For cleaning use a long haired soft brush and a vacuum cleaner



Be aware not to damage the aluminum plates



Close the cover and place the screws in place or use the special key, which ever is applicable



**R290**

#### WARNING

No spark-forming components or components with a high surface temperature (according to IEC 60079-15) may be present in the substructure/counter where the unit is placed

## 9.0 Trouble Shooting

### 9.0.0 Problems which can be checked by user

Each user can check the following points as mentioned in the user manual:

- Is the power supply OK?
- Check the fuses and the earth leakage switch in the meter cup board.
- Are all the switches in the correct “on” position?

Item	Malfunction	Possible action
Unit	Unit does not work	<ul style="list-style-type: none"> <li>• Check the power supply.</li> <li>• Are all switches in the correct position.</li> </ul>
Unit	Display shows error code	<ul style="list-style-type: none"> <li>• Contact your supplier or service agency.</li> </ul>
Lamp	Does not light up	<ul style="list-style-type: none"> <li>• Switch ON.</li> </ul>
Mains cord	Damaged	<ul style="list-style-type: none"> <li>• Replace.</li> </ul>
Window	Damaged	<ul style="list-style-type: none"> <li>• Replace.</li> </ul>

### 9.0.1 Cold units



#### WARNING

All service operations on the refrigeration system and gas charging must be performed by fully certified and qualified persons, in a well ventilated environment.

### 9.0.2 Replace the mains cord



#### WARNING

Hazardous electrical voltage.

If the mains cord is damaged, it must be replaced by a fully certified and qualified person, in order to avoid hazards.

### 10.0.3 Error codes and solutions

See page 69

#### NTC sensor testing (Cold Unit)

1. Remove wiring from the sensor.
2. Connect a temperature tester to the probe of the sensor for comparison.
3. Test the probe with a Ohm tester (range 5kΩ til 100kΩ).

Temperature		Resistance kΩ
°F	°C	+/- 500 Ohms
-4	-20	67,77
14	-10	42,47
32	0	27,28
50	10	17,96
68	20	12,09
77	25	10,00

## 9.1 Trouble Shooting Alarm messages

### 9.0.4 Alarm codes <cold units>

Alarms If there is any active alarm, the Alarm icon located in the upper left part will light up.

To display the active alarm, you have to press the “set” key and look for the “AL” folder.

In the following table, you will be able to see all the possible alarms.

The following table shows the alarms that the application can generate along with its description.

Tag	Description	Reset
Er01	Room Temperature probe 1 Error	AUTO
Er02	Room Humidity probe error (not used)	AUTO
Er03	Expansion Error	AUTO
AL01	High room temperature alarm	AUTO
AL02	Low room temperature alarm	AUTO
AL03	High humidity alarm	AUTO
AL04	Low humidity alarm	AUTO
AL05	Low water level alarm	AUTO

## 9.2 Trouble Shooting Symptoms and causes

Symptom	Possible causes
No power	<ol style="list-style-type: none"> <li>1. Main circuit breaker open</li> <li>2. Fuse Blown</li> <li>3. Loose wire connection</li> </ol>
Main fuse or breaker blown	<ol style="list-style-type: none"> <li>1. Wiring incorrectly</li> <li>2. Short circuit heating element</li> <li>3. Short circuit fan element</li> <li>4. Short circuit wiring</li> </ol>
Illumination does not work	<ol style="list-style-type: none"> <li>1. Led malfunction</li> <li>2. Tumble switch malfunction</li> <li>3. Led driver malfunction</li> <li>4. Loose / short circuit wiring connection</li> </ol>
No cooling	<ol style="list-style-type: none"> <li>1. Compressor malfunction</li> <li>2. Loose wiring connection</li> <li>3. Thermostat malfunction</li> <li>4. Loose wiring connection</li> <li>5. Air flow not functioning</li> </ol>
Unit does not reach desired temperature	<ol style="list-style-type: none"> <li>1. Cooling unit malfunction (COLD unit only)</li> <li>2. Strong air current along unit / Draft</li> <li>3. Burned contact on contactor</li> <li>4. Sensor malfunction</li> <li>5. Sliding doors not closed</li> </ol>
No indication on controller	<ol style="list-style-type: none"> <li>1. Electronic controller malfunction</li> <li>2. Blown fuse</li> <li>3. Loose wiring connection</li> </ol>
No air flow inside unit	<ol style="list-style-type: none"> <li>1. Fans do not work</li> <li>2. Blown fuse</li> <li>3. Loose wiring connection</li> <li>4. 24Vdc power supply malfunction</li> </ol>
Evaporator full of ice	<ol style="list-style-type: none"> <li>1. Set point too low</li> <li>2. Humidity too high</li> <li>3. Defrost sensor not in right position</li> <li>4. Defrost sensor malfunction</li> <li>5. Parameters not according the specified values</li> <li>6. Electronic thermostat malfunction</li> </ol>

### 9.3 Trouble Shooting Analytical description

Description of part	Symptoms	Possible causes	Solution / Action
Contactor	Contactor does not work	Wiring Coil malfunction Contact burned	Check wiring Check resistance of coil +/- 525Ω Check the contacts Replace contactor
Cooling engine (COLD unit)	Cooling system does not initiate (compressor doesn't run)	Wiring cooling Engine Compressor Malfunction	Check wiring Replace cooling engine
Tumble switch	Light, heating or cooling does not switch on	Wiring Contact burned	Check wiring Check the voltage on "in" and "output"
LED	Light does not turn on	Wiring LED broken Led driver defect	Check Wiring Replace LED Replace LED driver
Electronic thermostat	Display does not light up  The unit is not reaching the set temperature	Wiring  Loose sensor Thermostat Malfunction Thermostat setting	Check wiring  Check sensor Replace thermostat Check parameters
<del>Defrost sensor (Cold Unit)</del>	<del>Ice on evaporator</del>  The unit is not reaching the set temperature or does not cool at all  The unit becomes too cold	<del>Condensor blocked</del>  Broken Sensor Loose sensor Broken Sensor Loose sensor	<del>Clean condensor with long haired soft brush</del>  Replace sensor Check sensor wiring Replace sensor Check sensor wiring
Air out sensor (Cold Unit)	Ice on evaporator  The unit is not reaching the set temperature or does not cool at all  The unit becomes too cold	Condensor blocked  Broken Sensor Loose sensor Broken Sensor Loose sensor	Clean condensor with long haired soft brush  Replace sensor Check sensor wiring Replace sensor Check sensor wiring

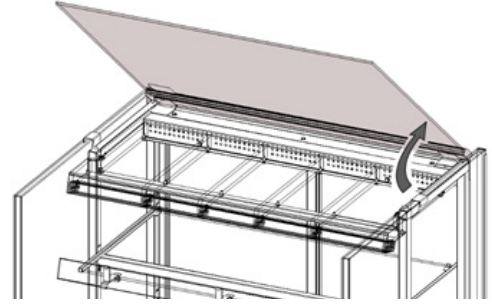
## 10.0 Replacement and Adjustments

### 10.1 Top glass replacement

1. For replacement, open top glass pane entirely.

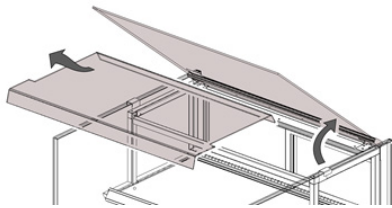


Be aware of the weight of the glass.

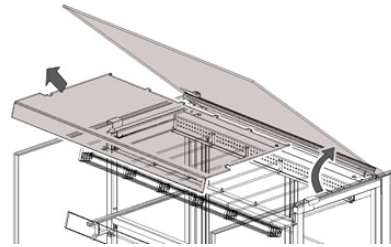


2. Remove the air guide (for the hot version) or the air box (for the cold version) by simply lifting them out.

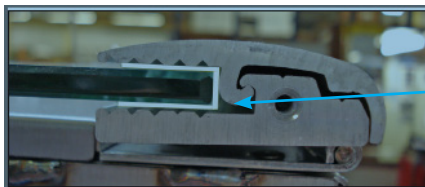
**HOT**



**COLD**



3. Loosen the adjusting screws which secure the glass with a torques key TX15  
Depending on the length of the unit, there are 4, 6 or 8 screws.

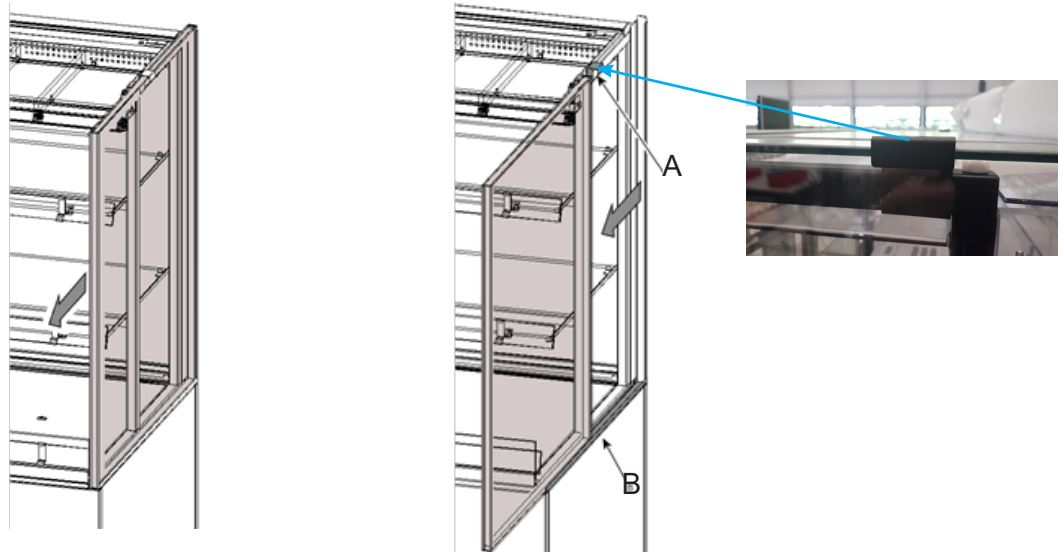


4. When refitting the glass, make sure the silicon protection profile is on.

## 10.2. Side glass replacement

The side pane glass of the units can easily be replaced.

1. Slide the double glass pane towards the front along the top (A) and bottom (B) guiding rails.  
The side pane can be removed from the unit once it has slid entirely past the top guide.



### CAUTION:

Once past the top guide, the glass pane might fall if not properly held.

Hence do not leave it standing upright without being supported by both guide rails or holding it.

2. Before placing a new side pane, clean the guiding rails. (Top, back and bottom)
3. Before sliding the new pane into the rails, ensure the transparent sides of the pane are facing forwards and up.
4. Slide it all the way back till the front of the pane is in line with the front plating.

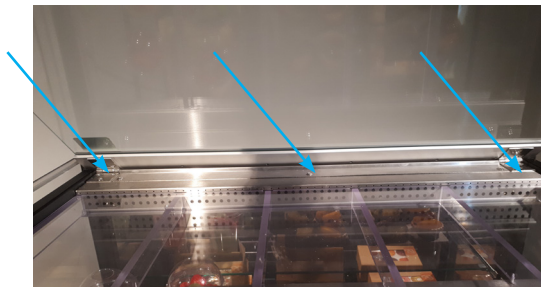
**10.3 Sliding door Replacement (First version (magnets in rails))**  
 (Two different versions, please select appropriate type)

In order to replace the sliding doors, take following step:

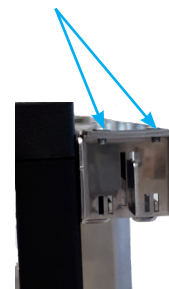
1. Remove Sliding door stopper (three screws). Left and right side.
2. Remove rail cover, loosen mounting screws and pull cover backwards.



Screws



3. Remove rail stopper (two screws on top).
4. Remove sliding door(s).



5. Replace in reverse order.

### 10.4. Sliding door Replacement (Second version, magnets in door)

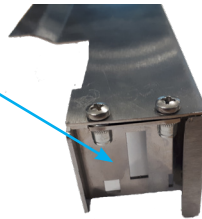
(Two different versions, please select appropriate type)

Recognizable: Two screws on top of rail cover. Top back side, two left and two right.



In order to replace the sliding doors, take following step:

1. Remove Sliding door stopper (three screws). Left and right side.
2. Remove Rail cover, four screws, on top of rails two left and two right.
3. Remove rail stopper
4. Remove sliding door(s).
5. Replace in reverse order.



### 10.5 Child glass replacement

1. Remove front panel (see 11.16).
2. Loosen mounting screws (3x) of child glass. Screwed from underneath
3. Place new child glass.
4. Mount in reverse order.



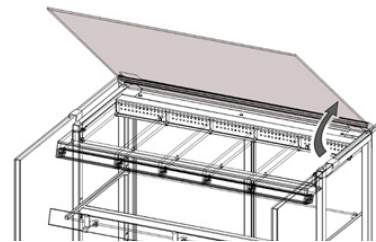
Mounting screws

### 10.6 MCC Air guide replacement

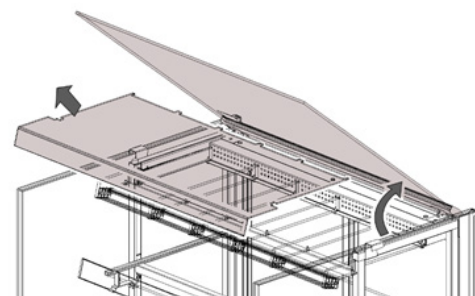
1. Air guide replacement
  2. For replacement, open top glass pane entirely.
- Be aware of the weight of the glass.



3. Remove the air guide by simply lifting them out.



**COLD**



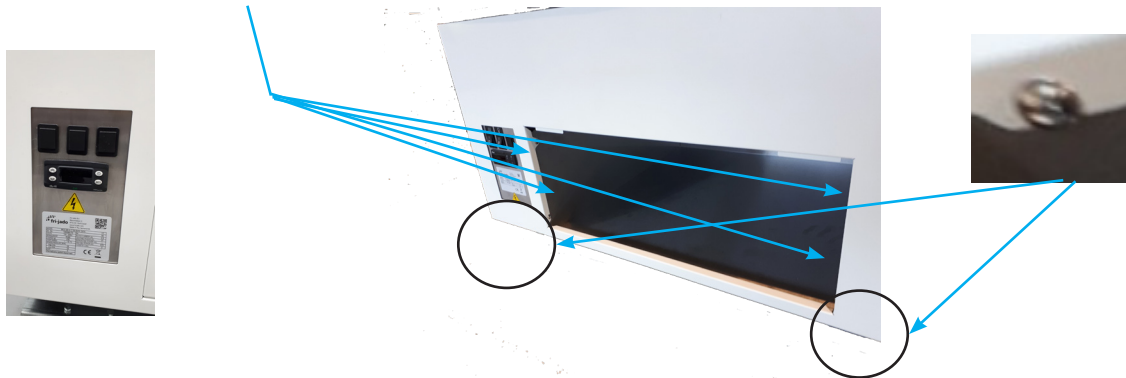
## 10.7 Opening Electrical box



Depending on the MCC version the electric box is placed at the back or in the front of the unit. For drop in versions the box can be placed anywhere in the build in counter.

First remove the panel (back or front depending on version)  
Panel is fixed with two screws underneath the unit. Loosen those.

In some versions you also need to loosen the screws on the side of the under storage compartment.



After loosening the screws, you can remove the panel by pulling it slightly down and then turning it towards you.

Two lips on the top of the panel, keep the panel in place.

Depending on the version you find one  
Screw on top of the electrical box,  
or two screws, underneath the pull  
out handle from the box.

Remove those screws.

Now you can pull the box toward you.  
The box will slide in its rails



Normal version (24V psu)



Special version (15V psu)  
See serial number remarks in  
parts section

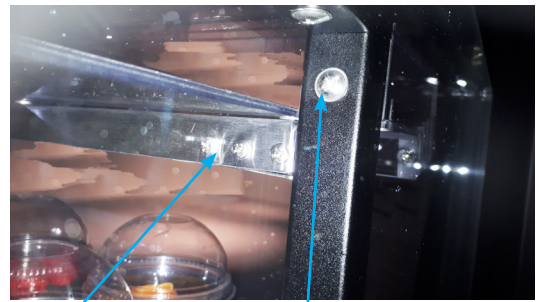


## 10.8 Led light Replacement



All LED Lights are mounted in the same way.

1. Remove side glass panes. ( Refer 7.2)
2. Remove column cover.  
(two screws, one on top backside and one at the bottom back side)
3. Pull off column cover.
4. Remove screw holding the LED housing .
5. Disconnect connector in Column, before you do so, make a note of the placing of the red and black cable in the connector.
6. Take LED light out of LED light holder, and place new LED.
7. Connect the wires from the new LED in the column, taking care of the notes you made regarding the red and black cable.



Column screw (top)

## 10.9 Controller Replacement



1. Open Electric box ( refer 11.11)
2. Unscrew the brown and Blue wire  
(Make note of connection points)
3. Unscrew the four black wires.  
(Make note of number and connection position)
4. Using a flat screwdriver push out the controller to the front of the box
5. Place new controller, by pushing it in.
6. Connect wires again, to the marked positions (point 2 and 3)
7. Check all parameter settings according the parameter list.(Chapter 9)



## 10.10 MCC Cold



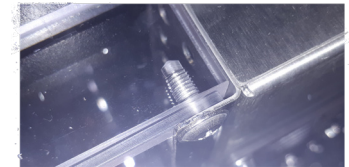
### Top Fan replacement

Remark; Connection of end wires is done by Wago connector in the side beam.

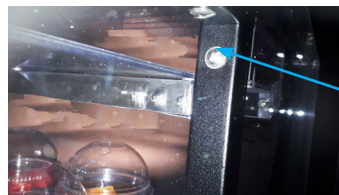
1. Remove side glass panels (See 11.2)
2. Remove Top glass (See 11.1)
3. Take out Air guide (see 11.8)



4. Remove Air box by unscrewing the mounting screws at the back



5. Remove column covers, left and right back by unscrewing the top and bottom screw.



Top cover screw

6. Open the air box by removing the closing screws



7. Take out the faulty fan, and replace.  
Use new waterproof connectors to connect to the wires.
8. Replace is reverse order.

## 10.11 Panel Replacement

1. Remove Plinths (refer 4.8)

### Front panel

1. Remove front panel, by removing the holding screws (left and right bottom corner)



Bottom view



2. Pull panel slightly towards you and down, to remove.
3. Replace in reverse order

### Back panel

1. Remove back panel, by removing the holding screws (left and right bottom corner)

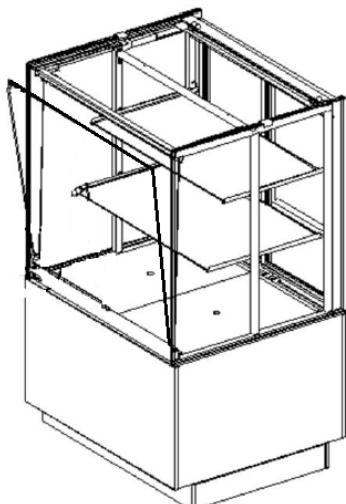
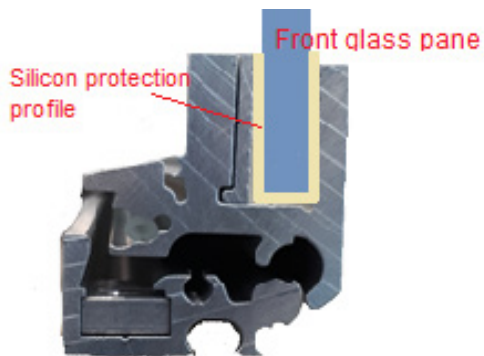


Bottom view



2. Pull panel slightly towards you and down, to remove.
3. Replace in reverse order

## 10-12 Front glass pane replacement (Full serve models)



1. Lift top glass to "unlock" the front glass
2. Slightly turn the front glass towards you
3. In the right tilted position, you can take glass pane including profile out.
4. Replace in reverse order.

# 11.0 Technical Specifications MCC Cold - 2 (Full Serve) US

Specification	Unit	Model			
		24-2	36-2	48-2	60-2
<b>General</b>					
Length incl. end walls	"	n.a.	35 7/16	47 1/4	59 1/16
Length excl. end walls	"	n.a.	33 7/16	45 1/4	57 1/16
Depth	"	n.a.		29 1/2	
Height on stand	"	n.a.		55 7/8	
Height above worktop	"	n.a.		20 1/2	
Underframe height	"	n.a.		35 7/16	
Plinth height	"	n.a.		3 15/16	
Drop-in cut out (W x D)	"	n.a.	34 1/8 x 28 9/16 (+/- 3/16)	34 1/8 x 28 9/16 (+/- 3/16)	1467 x 725 (+/- 5)
Electronics panel cut out (W x H)	"	n.a.		6 x 9 5/8 (+/- 3/16)	
Weight (net)	lbs	n.a.	375	441	507
Weight (gross)	lbs	n.a.	445	525	604
Packaging dimensions (W x D x H)	"	n.a.	40 3/16 x 34 1/4 x 57 1/2	51 15/16 x 34 1/4 x 57 1/2	63 3/4 x 34 1/4 x 57 1/2
Nr. of presentation levels		n.a.		2	
Dimensions bottom shelf	"	n.a.	23 1/4 x 31 1/2	23 1/4 x 43 5/16	23 1/4 x 55 1/8
Dimensions top shelf	"	n.a.	18 11/16 x 31 1/2	18 11/16 x 43 5/16	18 11/16 x 55 1/8
Shelf display area	ft2	n.a.	9,15	12,59	16,04
Usable display volume	ft3	n.a.	7,27	9,99	12,71
Drain diameter	"	n.a.		1 1/4	
Minimum room floor area	ft2	n.a.	88	113	139
Minimum air inlet surface area	ft2	n.a.	1,18		1,35
Minimum air outlet surface area	ft2	n.a.	0,54	0,75	0,97

Specification	Unit	Model			
		24-2	36-2	48-2	60-2
<b>Performance</b>					
Climate class*		n.a.		3	
Classification*		n.a.		M0/M1*/NSF 7 Type II	
TDA*	ft2	n.a.	10,66	14,32	17,87
TEC at 3M1*	BTU/day	n.a.	37977	50636	63295
TEC/TDA at 3M1*	BTU/day/ft2	n.a.		9409	
TEWI**	kg of CO <sub>2</sub>	n.a.	11986	15981	19976
Sound pressure	dB(A)	n.a.		<70	
Minimum ambient temperature	°F	n.a.		50	
Maximum ambient temperature	°F	n.a.		80	
Maximum relative air humidity	%	n.a.		55	

\* According to ISO 23953

\*\* Total equivalent warming impact according to EN 378, based on 10 years of operation at climate class 3, 0,295 kg CO<sub>2</sub>/kWh and a leakage rate of 1% per year

Specification	Unit	Model			
		24-2	36-2	48-2	60-2
<b>Refrigeration</b>					
Refrigerant		n.a.		R290 (propane)	
GWP		n.a.		3	
ODP		n.a.		0	
Flammability class*		n.a.		A3	
Refrigerant charge	oz	n.a.	6,00	6,00	6,00
Refrigeration capacity	BTU/hr	n.a.	3583	3583	3583
Capillary tube length	"	n.a.	71,7	71,7	71,7
Capillary tube inner diameter	"	n.a.	0,05		0,05
Evaporation temperature	°F	n.a.		14	
Condensation temperature	°F	n.a.		95	
Air inlet temperature (approx.)	°F	n.a.		39	
Air outlet temperature (approx.)	°F	n.a.		25	
Superheat	Δ °F	n.a.		9	
Sub cooling	Δ °F	n.a.		2	
Nr. of circuits		n.a.		2	

\* According to ASHRAE Standard 34

Specification	Unit	Model			
		24-2	36-2	48-2	60-2
<b>Electrical</b>					
Electrical connection		n.a.	NEMA 5-20P*		
Nominal voltage	V	n.a.	1~ 115		
Nominal frequency	Hz	n.a.	60		
Maximum power**	W	n.a.	461	662	787
Nominal current**	A	n.a.	5,1	7,9	8,9
Required fuses		n.a.	1 x 20A		
Evaporator fan power	W	n.a.	7	10	13
Nr. of evaporator fans		n.a.	5	7	9
Air curtain fan power	W	n.a.	5	6	8
Nr. of air curtain fans		n.a.	5	7	9
Condenser fan power	W	n.a.	20	32	
Nr. of condenser fans		n.a.	2		
Compressor power	W	n.a.	404	579	688
LED lighting power	W	n.a.	25	35	46
Evaporation tray power***	W	n.a.	570		

\* Standard plug

\*\* Excluding optional evaporation tray

\*\*\* Optional

## 11.1 Technical Specifications MCC Cold - 2 (Self Serve) US

Specification	Unit	Model			
		24-2	36-2	48-2	60-2
<b>General</b>					
Length incl. end walls	"	n.a.	35 7/16	47 1/4	59 1/16
Length excl. end walls	"	n.a.	33 7/16	45 1/4	57 1/16
Depth	"	n.a.	29 1/2		
Height on stand	"	n.a.	55 7/8		
Height above worktop	"	n.a.	20 1/2		
Underframe height	"	n.a.	35 7/16		
Plinth height	"	n.a.	3 15/16		
Drop-in cut out (W x D)	"	n.a.	34 1/8 x 28 9/16 (+/- 3/16)	34 1/8 x 28 9/16 (+/- 3/16)	1467 x 725 (+/- 5)
Electronics panel cut out (W x H)	"	n.a.	6 x 9 5/8 (+/- 3/16)		
Weight (net)	lbs	n.a.	375	441	507
Weight (gross)	lbs	n.a.	445	525	604
Packaging dimensions (W x D x H)	"	n.a.	40 3/16 x 34 1/4 x 57 1/2	51 15/16 x 34 1/4 x 57 1/2	63 3/4 x 34 1/4 x 57 1/2
Nr. of presentation levels		n.a.	2		
Dimensions bottom shelf	"	n.a.	23 1/4 x 31 1/2	23 1/4 x 43 5/16	23 1/4 x 55 1/8
Dimensions top shelf	"	n.a.	18 11/16 x 31 1/2	18 11/16 x 43 5/16	18 11/16 x 55 1/8
Shelf display area	ft <sup>2</sup>	n.a.	9,15	12,59	16,04
Usable display volume	ft <sup>3</sup>	n.a.	7,27	9,99	12,71
Drain diameter	"	n.a.	1 1/4		
Minimum room floor area	ft <sup>2</sup>	n.a.	88	113	139
Minimum air inlet surface area	ft <sup>2</sup>	n.a.	1,18	1,35	
Minimum air outlet surface area	ft <sup>2</sup>	n.a.	0,54	0,75	0,97

Specification	Unit	Model			
		24-2	36-2	48-2	60-2
<b>Performance</b>					
Climate class*		n.a.	3		
Classification*		n.a.	M1*/NSF 7 Type I		
TDA*	ft <sup>2</sup>	n.a.	10,66	14,32	17,87
TEC at 3M1*	BTU/day	n.a.	37977	50636	63295
TEC/TDA at 3M1*	BTU/day/ft <sup>2</sup>	n.a.	9409		
TEWI**	kg of CO <sub>2</sub>	n.a.	11986	15981	19976
Sound pressure	dB(A)	n.a.	<70		
Minimum ambient temperature	°F	n.a.	50		
Maximum ambient temperature	°F	n.a.	75		
Maximum relative air humidity	%	n.a.	55		

\* According to ISO 23953

\*\* Total equivalent warming impact according to EN 378, based on 10 years of operation at climate class 3, 0,295 kg CO<sub>2</sub>/kWh and a leakage rate of 1% per year

Specification	Unit	Model			
		24-2	36-2	48-2	60-2
<b>Refrigeration</b>					
Refrigerant		n.a.	R290 (propane)		
GWP		n.a.	3		
ODP		n.a.	0		
Flammability class*		n.a.	A3		
Refrigerant charge	oz	n.a.	6,00	6,00	6,00
Refrigeration capacity	BTU/hr	n.a.	3583	3583	3583
Capillary tube length	"	n.a.	71,7	71,7	71,7
Capillary tube inner diameter	"	n.a.	0,05	0,05	
Evaporation temperature	°F	n.a.	14		
Condensation temperature	°F	n.a.	95		
Air inlet temperature (approx.)	°F	n.a.	39		
Air outlet temperature (approx.)	°F	n.a.	25		
Superheat	Δ °F	n.a.	9		
Sub cooling	Δ °F	n.a.	2		
Nr. of circuits		n.a.	2		

\* According to ASHRAE Standard 34

Specification	Unit	Model			
		24-2	36-2	48-2	60-2
<b>Electrical</b>					
Electrical connection		n.a.	NEMA 5-20P*		
Nominal voltage	V	n.a.	1~ 115		
Nominal frequency	Hz	n.a.	60		
Maximum power**	W	n.a.	461	662	787
Nominal current**	A	n.a.	5,1	7,9	8,9
Required fuses		n.a.	1 x 20A		
Evaporator fan power	W	n.a.	7	10	13
Nr. of evaporator fans		n.a.	5	7	9
Air curtain fan power	W	n.a.	5	6	8
Nr. of air curtain fans		n.a.	5	7	9
Condenser fan power	W	n.a.	20	32	
Nr. of condenser fans		n.a.	2		
Compressor power	W	n.a.	404	579	688
LED lighting power	W	n.a.	25	35	46
Evaporation tray power***	W	n.a.	570		

\* Standard plug

\*\* Excluding optional evaporation tray

\*\*\* Optional

## 11.2 Technical Specifications MCC Cold - 2 (Full Serve) US

Specification	Unit	Model			
		24-2	36-2	48-2	60-2
<b>General</b>					
Length incl. end walls	"	23 5/8	35 7/16	47 1/4	n.a.
Length excl. end walls	"	21 5/8	33 7/16	45 1/4	n.a.
Depth	"	29 1/2			n.a.
Height on stand	"	29 1/2			n.a.
Height above worktop	"	20 1/2			n.a.
Underframe height	"	35 7/16			n.a.
Plinth height	"	3 15/16			n.a.
Drop-in cut out (W x D)	"	22 5/16 x 28 9/16 (+/- 3/16)	34 1/8 x 28 9/16 (+/- 3/16)	45 15/16 x 28 9/16 (+/- 3/16)	n.a.
Electronics panel cut out (L x H)	"	6 x 9 5/8 (+/- 3/16)			n.a.
Weight (net)	lbs	243	320	397	n.a.
Weight (gross)	lbs	298	390	481	n.a.
Packaging dimensions (W x D x H)	"	28 3/8 x 34 1/4 x 57 1/2	40 3/16 x 34 1/4 x 57 1/2	51 15/16 x 34 1/4 x 57 1/2	n.a.
Nr. of presentation levels		2			n.a.
Dimensions bottom shelf	"	23 1/4 x 19 11/16	23 1/4 x 31 1/2	23 1/4 x 43 5/16	n.a.
Dimensions top shelf	"	19 5/16 x 19 11/16	19 5/16 x 31 1/2	19 5/16 x 43 5/16	n.a.
Shelf display area	ft2	5,81	9,26	12,81	n.a.
Usable display volume	ft3	5,44	7,27	9,99	n.a.

Specification	Unit	Model			
		24-2	36-2	48-2	60-2
<b>Performance</b>					
TDA*	ft2	7,10	10,66	14,32	n.a.
TEC at climate class 0*	BTU/h	2730	4095	5494	n.a.
TEC at climate class 0*	BTU/day	65411	98099	131777	n.a.
TEC/TDA at climate class 0*	BTU/day/ft2		9206		n.a.
Sound pressure	dB(A)		<70		n.a.
Minimum ambient temperature	°F		68		n.a.
Maximum ambient temperature	°F		86		n.a.
Maximum relative air humidity	%		60		n.a.

\* According to ISO 23953

Specification	Unit	Model			
		24-2	36-2	48-2	60-2
<b>Electrical</b>					
Electrical connection		NEMA 6-20P*			n.a.
Nominal voltage	V	1~ 208			n.a.
Nominal frequency	Hz	50/60			n.a.
Maximum power	W	1715	2080	2774	n.a.
Nominal current	A	7,7	9,4	12,7	n.a.
Required fuses		1 x 16A			n.a.
Heating fan power	W	36	60	84	n.a.
Nr. of heating fans		3	5	7	n.a.
Heating element power	W	1500 (-0/+10%)	1800 (-0/+10%)	2400 (-0/+10%)	n.a.
LED lighting power	W	14	25	35	n.a.

\* Standard plug

## 11.3 Technical Specifications MCC Cold - 3 (Full Serve) US

Specification	Unit	Model			
		24-3	36-3	48-3	60-3
<b>General</b>					
Length incl. end walls	"	n.a.	35 7/16	47 1/4	59 1/16
Length excl. end walls	"	n.a.	33 7/16	45 1/4	57 1/16
Depth	"	n.a.	29 1/2		
Height on stand	"	n.a.	55 7/8		
Height above worktop	"	n.a.	33 1/16		
Underframe height	"	n.a.	22 13/16		
Plinth height	"	n.a.	3 15/16		
Drop-in cut out (W x D)	"	n.a.	34 1/8 x 28 9/16 (+/- 3/16)	45 15/16 x 28 9/16 (+/- 3/16)	57 3/4 x 28 9/16 (+/- 3/16)
Electronics panel cut out (W x H)	"	n.a.	6 x 9 5/8 (+/- 3/16)		
Weight (net)	lbs	n.a.	430	496	562
Weight (gross)	lbs	n.a.	500	580	659
Packaging dimensions (W x D x H)	"	n.a.	40 3/16 x 34 1/4 x 57 1/2	51 15/16 x 34 1/4 x 57 1/2	63 3/4 x 34 1/4 x 57 1/2
Nr. of presentation levels		n.a.	3		
Dimensions bottom shelf	"	n.a.	23 1/4 x 31 1/2	23 1/4 x 43 5/16	23 1/4 x 55 1/8
Dimensions middle shelf	"	n.a.	18 11/16 x 31 1/2	18 11/16 x 43 5/16	18 11/16 x 55 1/8
Dimensions top shelf	"	n.a.	16 1/8 x 31 1/2	16 1/8 x 43 5/16	16 1/8 x 55 1/8
Shelf display area	ft2	n.a.	12,70	17,44	22,28
Usable display volume	ft3	n.a.	9,11	12,54	15,96
Drain diameter	"	n.a.	1 1/4		
Minimum room floor area	ft2	n.a.	88	113	139
Minimum air inlet surface area	ft2	n.a.	1,18	1,35	
Minimum air outlet surface area	ft2	n.a.	0,54	0,75	0,97

Specification	Unit	Model			
		24-3	36-3	48-3	60-3
<b>Performance</b>					
Climate class*		n.a.	3		
Classification		n.a.	M1*/NSF 7 Type II		
TDA*	ft <sup>2</sup>	n.a.	13,45	17,98	22,39
TEC at 3M1*	BTU/day	n.a.	43505	58109	72406
TEC/TDA at 3M1*	BTU/day/ft <sup>2</sup>	n.a.	3233		
TEWI**	kg of CO <sub>2</sub>	n.a.	13730	18343	22846
Sound pressure	dB(A)	n.a.	<70		
Minimum ambient temperature	°F	n.a.	50		
Maximum ambient temperature	°F	n.a.	80		
Maximum relative air humidity	%	n.a.	55		

\* According to ISO 23953

\*\* Total equivalent warming impact according to EN 378, based on 10 years of operation at climate class 3, 0,295 kg CO<sub>2</sub>/kWh and a leakage rate of 1% per year

Specification	Unit	Model			
		24-3	36-3	48-3	60-3
<b>Refrigeration</b>					
Refrigerant		n.a.	R290 (propane)		
GWP		n.a.	3		
ODP		n.a.	0		
Flammability class*		n.a.	A3		
Refrigerant charge	oz	n.a.	6,00	7,76	9,52
Refrigeration capacity	BTU/hr	n.a.	3583	4606	5630
Capillary tube length	"	n.a.	71,7	43,3	72,4
Capillary tube inner diameter	"	n.a.	0,05	0,06	
Evaporation temperature	°F	n.a.	14		
Condensation temperature	°F	n.a.	95		
Air inlet temperature (approx.)	°F	n.a.	39		
Air outlet temperature (approx.)	°F	n.a.	25		
Superheat	Δ °F	n.a.	9		
Sub cooling	Δ °F	n.a.	2		
Nr. of circuits		n.a.	2		

\* According to ASHRAE Standard 34

Specification	Unit	Model			
		24-3	36-3	48-3	60-3
<b>Electrical</b>					
Electrical connection		n.a.	NEMA 5-20P*		
Nominal voltage	V	n.a.	1~115		
Nominal frequency	Hz	n.a.	60		
Maximum power**	W	n.a.	488	695	825
Nominal current**	A	n.a.	5,2	8,0	9,2
Required fuses		n.a.	1 x 20A		
Evaporator fan power	W	n.a.	7	10	13
Nr. of evaporator fans		n.a.	5	7	9
Air curtain fan power	W	n.a.	5	6	8
Nr. of air curtain fans		n.a.	5	7	9
Condenser fan power	W	n.a.	20	32	
Nr. of condenser fans		n.a.	2		
Compressor power	W	n.a.	404	579	688
LED lighting power	W	n.a.	37	53	69
Evaporation tray power***	W	n.a.	570		

\* Standard plug

\*\* Excluding optional evaporation tray

\*\*\* Optional

## 11.4 Technical Specifications MCC Cold - 3 (Self Serve) US

Specification	Unit	Model			
		24-3	36-3	48-3	60-3
<b>General</b>					
Length incl. end walls	"	n.a.	35 7/16	47 1/4	59 1/16
Length excl. end walls	"	n.a.	33 7/16	45 1/4	57 1/16
Depth	"	n.a.	29 1/2		
Height on stand	"	n.a.	55 7/8		
Height above worktop	"	n.a.	33 1/16		
Underframe height	"	n.a.	22 13/16		
Plinth height	"	n.a.	3 15/16		
Drop-in cut out (W x D)	"	n.a.	34 1/8 x 28 9/16 (+/- 3/16)	45 15/16 x 28 9/16 (+/- 3/16)	57 3/4 x 28 9/16 (+/- 3/16)
Electronics panel cut out (W x H)	"	n.a.	6 x 9 5/8 (+/- 3/16)		
Weight (net)	lbs	n.a.	430	496	562
Weight (gross)	lbs	n.a.	500	580	659
Packaging dimensions (W x D x H)	"	n.a.	40 3/16 x 34 1/4 x 57 1/2	51 15/16 x 34 1/4 x 57 1/2	63 3/4 x 34 1/4 x 57 1/2
Nr. of presentation levels	"	n.a.	3		
Dimensions bottom shelf	"	n.a.	23 1/4 x 31 1/2	23 1/4 x 43 5/16	23 1/4 x 55 1/8
Dimensions middle shelf	"	n.a.	18 11/16 x 31 1/2	18 11/16 x 43 5/16	18 11/16 x 55 1/8
Dimensions top shelf	"	n.a.	16 1/8 x 31 1/2	16 1/8 x 43 5/16	16 1/8 x 55 1/8
Shelf display area	ft <sup>2</sup>	n.a.	12,70	17,44	22,28
Usable display volume	ft <sup>3</sup>	n.a.	9,11	12,54	15,96
Drain diameter	"	n.a.	1 1/4		
Minimum room floor area	ft <sup>2</sup>	n.a.	88	113	139
Minimum air inlet surface area	ft <sup>2</sup>	n.a.	1,18	1,35	
Minimum air outlet surface area	ft <sup>2</sup>	n.a.	0,54	0,75	0,97

Specification	Unit	Model			
		24-3	36-3	48-3	60-3
<b>Performance</b>					
Climate class*		n.a.	3		
Classification*		n.a.	M1*/NSF 7 Type I		
TDA*	ft <sup>2</sup>	n.a.	13,45	17,98	22,39
TEC at 3M1*	BTU/day	n.a.	43505	58109	72406
TEC/TDA at 3M1*	BTU/day/ft <sup>2</sup>	n.a.	3233		
TEWI**	kg of CO <sub>2</sub>	n.a.	13730	18343	22846
Sound pressure	dB(A)	n.a.	<70		
Minimum ambient temperature	°F	n.a.	50		
Maximum ambient temperature	°F	n.a.	75		
Maximum relative air humidity	%	n.a.	55		

\* According to ISO 23953, open front, test type 1 (24 hours without night cover)

\*\* Total equivalent warming impact according to EN 378, based on 10 years of operation at climate class 3, 0,295 kg CO<sub>2</sub>/kWh and a leakage rate of 1% per year

Specification	Unit	Model			
		24-3	36-3	48-3	60-3
<b>Refrigeration</b>					
Refrigerant		n.a.	R290 (propane)		
GWP		n.a.	3		
ODP		n.a.	0		
Flammability class*		n.a.	A3		
Refrigerant charge	oz	n.a.	6,00	7,76	9,52
Refrigeration capacity	BTU/hr	n.a.	3583	4606	5630
Capillary tube length	"	n.a.	71,7	43,3	72,4
Capillary tube inner diameter	"	n.a.	0,05		0,06
Evaporation temperature	°F	n.a.	14		
Condensation temperature	°F	n.a.	95		
Air inlet temperature (approx.)	°F	n.a.	39		
Air outlet temperature (approx.)	°F	n.a.	25		
Superheat	Δ °F	n.a.	9		
Sub cooling	Δ °F	n.a.	2		
Nr. of circuits		n.a.	2		

\* According to ASHRAE Standard 34

Specification	Unit	Model			
		24-3	36-3	48-3	60-3
<b>Electrical</b>					
Electrical connection		n.a.	NEMA 5-20P*		
Nominal voltage	V	n.a.	1~ 115		
Nominal frequency	Hz	n.a.	60		
Maximum power**	W	n.a.	488	695	825
Nominal current**	A	n.a.	5,2	8,0	9,2
Required fuses		n.a.	1 x 20A		
Evaporator fan power	W	n.a.	7	10	13
Nr. of evaporator fans		n.a.	5	7	9
Air curtain fan power	W	n.a.	5	6	8
Nr. of air curtain fans		n.a.	5	7	9
Condenser fan power	W	n.a.	20	32	
Nr. of condenser fans		n.a.	2		
Compressor power	W	n.a.	404	579	688
LED lighting power	W	n.a.	37	53	69
Evaporation tray power***	W	n.a.	570		

\* Standard plug

\*\* Excluding optional evaporation tray

\*\*\* Optional

## 11.5 Technical Specifications MCC Cold - 4 (Full Serve) US

Specification	Unit	Model			
		24-4	36-4	48-4	60-4
<b>General</b>					
Length incl. end walls	"	n.a.	35 7/16	47 1/4	59 1/16
Length excl. end walls	"	n.a.	33 7/16	45 1/4	57 1/16
Depth	"	n.a.	29 1/2		
Height on stand	"	n.a.	55 7/8		
Height above worktop	"	n.a.	33 1/16		
Underframe height	"	n.a.	22 13/16		
Plinth height	"	n.a.	3 15/16		
Drop-in cut out (W x D)	"	n.a.	34 1/8 x 28 9/16 (+/- 3/16)	45 15/16 x 28 9/16 (+/- 3/16)	57 3/4 x 28 9/16 (+/- 3/16)
Electronics panel cut out (W x H)	"	n.a.	6 x 9 5/8 (+/- 3/16)		
Weight (net)	lbs	n.a.	445	516	586
Weight (gross)	lbs	n.a.	516	600	683
Packaging dimensions (W x D x H)	"	n.a.	40 3/16 x 34 1/4 x 57 1/2	51 15/16 x 34 1/4 x 57 1/2	63 3/4 x 34 1/4 x 57 1/2
Nr. of presentation levels		n.a.	4		
Dimensions bottom shelf	"	n.a.	23 1/4 x 31 1/2	23 1/4 x 43 5/16	23 1/4 x 55 1/8
Dimensions middle shelves	"	n.a.	18 11/16 x 31 1/2	18 11/16 x 43 5/16	18 11/16 x 55 1/8
Dimensions top shelf	"	n.a.	16 1/8 x 31 1/2	16 1/8 x 43 5/16	16 1/8 x 55 1/8
Shelf display area	ft <sup>2</sup>	n.a.	16,79	23,14	29,39
Usable display volume	ft <sup>3</sup>	n.a.	8,79	12,11	15,40
Drain diameter	"	n.a.	1 1/4		
Minimum room floor area	ft <sup>2</sup>	n.a.	88	113	139
Minimum air inlet surface area	ft <sup>2</sup>	n.a.	1,18	1,35	
Minimum air outlet surface area	ft <sup>2</sup>	n.a.	0,54	0,75	0,97

Specification	Unit	Model			
		24-4	36-4	48-4	60-4
<b>Performance</b>					
Climate class*		n.a.	3		
Classification		n.a.	M1*/NSF 7 Type II		
TDA*	ft <sup>2</sup>	n.a.	13,45	17,98	22,39
TEC at 3M1*	BTU/day	n.a.	43505	58109	72406
TEC/TDA at 3M1*	BTU/day/ft <sup>2</sup>	n.a.	3233		
TEWI**	kg of CO <sub>2</sub>	n.a.	13730	18343	22846
Sound pressure	dB(A)	n.a.	<70		
Minimum ambient temperature	°F	n.a.	50		
Maximum ambient temperature	°F	n.a.	80		
Maximum relative air humidity	%	n.a.	55		

\* According to ISO 23953

\*\* Total equivalent warming impact according to EN 378, based on 10 years of operation at climate class 3, 0,295 kg CO<sub>2</sub>/kWh and a leakage rate of 1% per year

Specification	Unit	Model			
		24-4	36-4	48-4	60-4
<b>Refrigeration</b>					
Refrigerant		n.a.	R290 (propane)		
GWP		n.a.	3		
ODP		n.a.	0		
Flammability class*		n.a.	A3		
Refrigerant charge	oz	n.a.	6,00	7,76	9,52
Refrigeration capacity	BTU/hr	n.a.	3583	4606	5630
Capillary tube length	"	n.a.	71,7	43,3	72,4
Capillary tube inner diameter	"	n.a.	0,05	0,06	
Evaporation temperature	°F	n.a.	14		
Condensation temperature	°F	n.a.	95		
Air inlet temperature (approx.)	°F	n.a.	39		
Air outlet temperature (approx.)	°F	n.a.	25		
Superheat	Δ °F	n.a.	9		
Sub cooling	Δ °F	n.a.	2		
Nr. of circuits		n.a.	2		

\* According to ASHRAE Standard 34

Specification	Unit	Model			
		24-4	36-4	48-4	60-4
<b>Electrical</b>					
Electrical connection		n.a.	NEMA 5-20P*		
Nominal voltage	V	n.a.	1~ 115		
Nominal frequency	Hz	n.a.	60		
Maximum power**	W	n.a.	500	713	848
Nominal current**	A	n.a.	5,3	8,2	9,4
Required fuses		n.a.	1 x 20A		
Evaporator fan power	W	n.a.	7	10	13
Nr. of evaporator fans		n.a.	5	7	9
Air curtain fan power	W	n.a.	5	6	8
Nr. of air curtain fans		n.a.	5	7	9
Condenser fan power	W	n.a.	20	32	
Nr. of condenser fans		n.a.	2		
Compressor power	W	n.a.	404	579	688
LED lighting power	W	n.a.	49	71	92
Evaporation tray power***	W	n.a.	570		

\* Standard plug

\*\* Excluding optional evaporation tray

\*\*\* Optional

## 11.6 Technical Specifications MCC Cold - 4 (Self Serve) US

Specification	Unit	Model			
		24-4	36-4	48-4	60-4
<b>General</b>					
Length incl. end walls	"	n.a.	35 7/16	47 1/4	59 1/16
Length excl. end walls	"	n.a.	33 7/16	45 1/4	57 1/16
Depth	"	n.a.	29 1/2		
Height on stand	"	n.a.	55 7/8		
Height above worktop	"	n.a.	33 1/16		
Underframe height	"	n.a.	22 13/16		
Plinth height	"	n.a.	3 15/16		
Drop-in cut out (W x D)	"	n.a.	34 1/8 x 28 9/16 (+/- 3/16)	45 15/16 x 28 9/16 (+/- 3/16)	57 3/4 x 28 9/16 (+/- 3/16)
Electronics panel cut out (W x H)	"	n.a.	6 x 9 5/8 (+/- 3/16)		
Weight (net)	lbs	n.a.	445	516	586
Weight (gross)	lbs	n.a.	516	600	683
Packaging dimensions (W x D x H)	"	n.a.	40 3/16 x 34 1/4 x 57 1/2	51 15/16 x 34 1/4 x 57 1/2	63 3/4 x 34 1/4 x 57 1/2
Nr. of presentation levels		n.a.	4		
Dimensions bottom shelf	"	n.a.	23 1/4 x 31 1/2	23 1/4 x 43 5/16	23 1/4 x 55 1/8
Dimensions middle shelves	"	n.a.	18 11/16 x 31 1/2	18 11/16 x 43 5/16	18 11/16 x 55 1/8
Dimensions top shelf	"	n.a.	16 1/8 x 31 1/2	16 1/8 x 43 5/16	16 1/8 x 55 1/8
Shelf display area	ft2	n.a.	16,79	23,14	29,39
Usable display volume	ft3	n.a.	8,79	12,11	15,40
Drain diameter	"	n.a.	1 1/4		
Minimum room floor area	ft2	n.a.	88	113	139
Minimum air inlet surface area	ft2	n.a.	1,18	1,35	
Minimum air outlet surface area	ft2	n.a.	0,54	0,75	0,97

Specification	Unit	Model			
		24-4	36-4	48-4	60-4
<b>Performance</b>					
Climate class*		n.a.		3	
Classification*		n.a.		M1*/NSF 7 Type I	
TDA*	ft2	n.a.	13,45	17,98	22,39
TEC at 3M1*	BTU/day	n.a.	43505	58109	72406
TEC/TDA at 3M1*	BTU/day/ft2	n.a.		3233	
TEWI**	kg of CO <sub>2</sub>	n.a.	13730	18343	22846
Sound pressure	dB(A)	n.a.		<70	
Minimum ambient temperature	°F	n.a.		50	
Maximum ambient temperature	°F	n.a.		75	
Maximum relative air humidity	%	n.a.		55	

\* According to ISO 23953, open front, test type 1 (24 hours without night cover)

\*\* Total equivalent warming impact according to EN 378, based on 10 years of operation at climate class 3, 0,295 kg CO<sub>2</sub>/kWh and a leakage rate of 1% per year

Specification	Unit	Model			
		24-4	36-4	48-4	60-4
<b>Refrigeration</b>					
Refrigerant		n.a.		R290 (propane)	
GWP		n.a.		3	
ODP		n.a.		0	
Flammability class*		n.a.		A3	
Refrigerant charge	oz	n.a.	6,00	7,76	9,52
Refrigeration capacity	BTU/hr	n.a.	3583	4606	5630
Capillary tube length	"	n.a.	71,7	43,3	72,4
Capillary tube inner diameter	"	n.a.		0,05	0,06
Evaporation temperature	°F	n.a.		14	
Condensation temperature	°F	n.a.		95	
Air inlet temperature (approx.)	°F	n.a.		39	
Air outlet temperature (approx.)	°F	n.a.		25	
Superheat	Δ °F	n.a.		9	
Sub cooling	Δ °F	n.a.		2	
Nr. of circuits		n.a.		2	

\* According to ASHRAE Standard 34

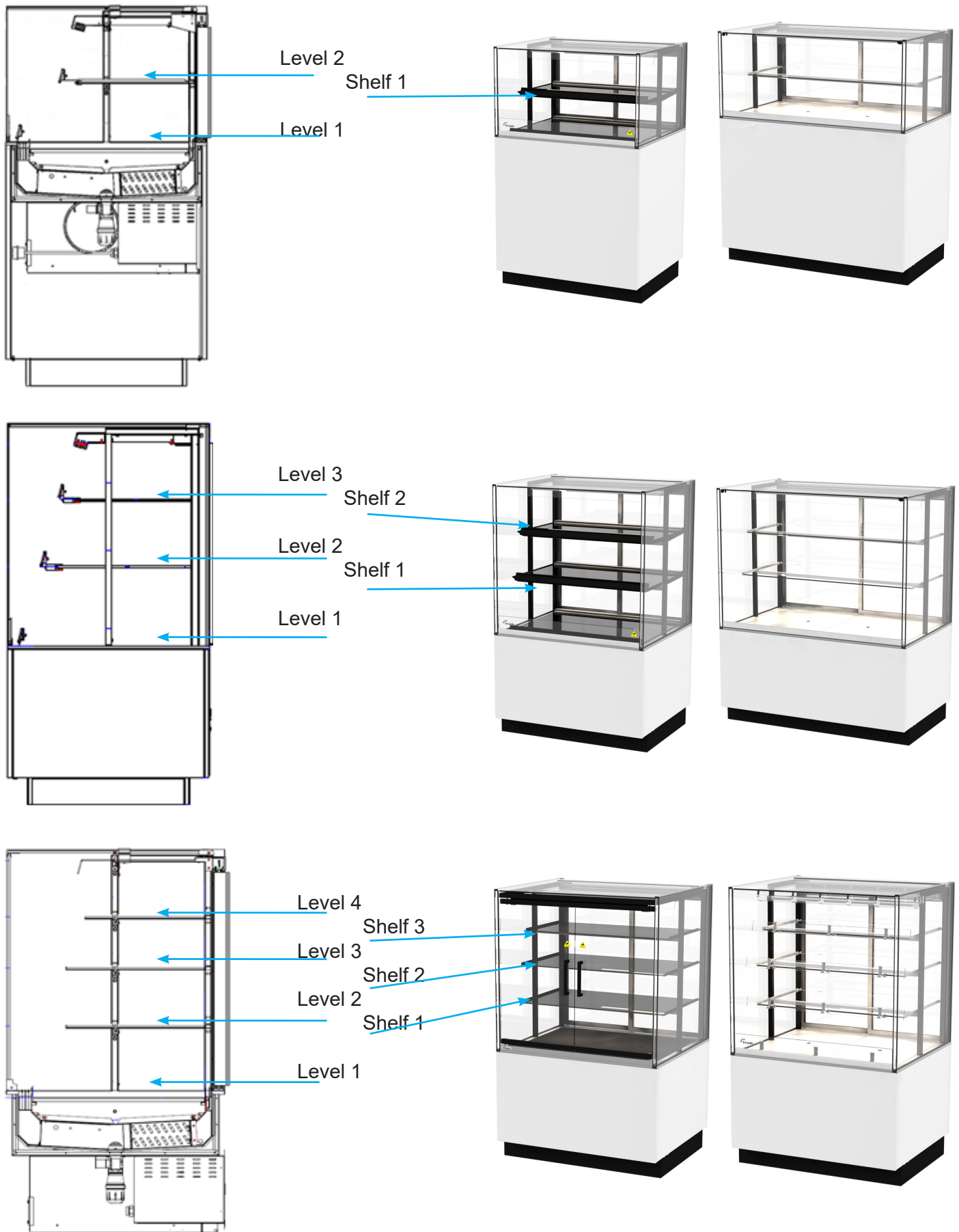
Specification	Unit	Model			
		24-4	36-4	48-4	60-4
<b>Electrical</b>					
Electrical connection		n.a.		NEMA 5-20P*	
Nominal voltage	V	n.a.		1~ 115	
Nominal frequency	Hz	n.a.		60	
Maximum power**	W	n.a.	500	713	848
Nominal current**	A	n.a.	5,3	8,2	9,4
Required fuses		n.a.		1 x 20A	
Evaporator fan power	W	n.a.	7	10	13
Nr. of evaporator fans		n.a.	5	7	9
Air curtain fan power	W	n.a.	5	6	8
Nr. of air curtain fans		n.a.	5	7	9
Condenser fan power	W	n.a.	20	32	
Nr. of condenser fans		n.a.		2	
Compressor power	W	n.a.	404	579	688
LED lighting power	W	n.a.	49	71	92
Evaporation tray power***	W	n.a.		570	

\* Standard plug

\*\* Excluding optional evaporation tray

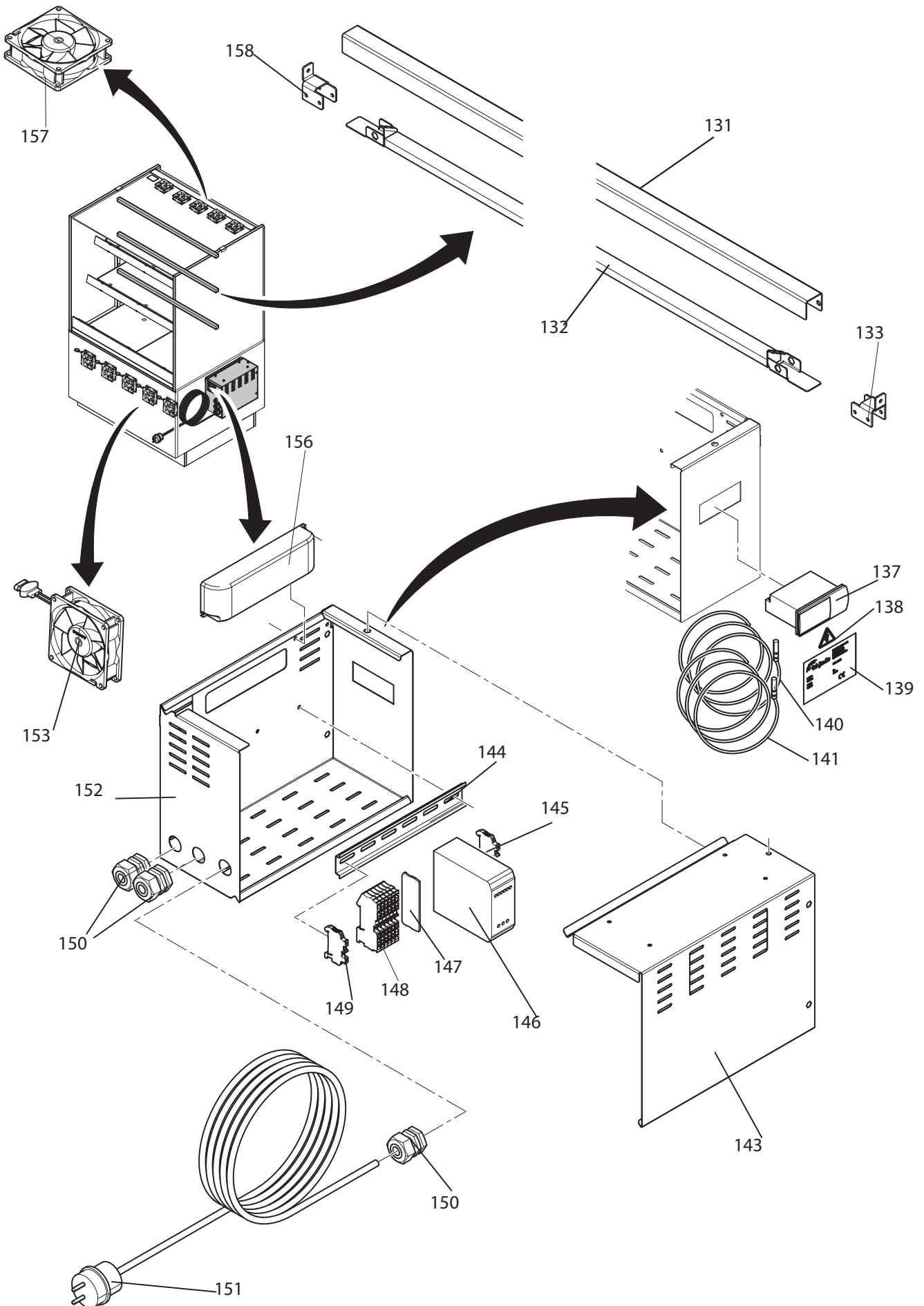
\*\*\* Optional

## 11.7 Explanation difference in levels and shelves



Page intentionally left blank

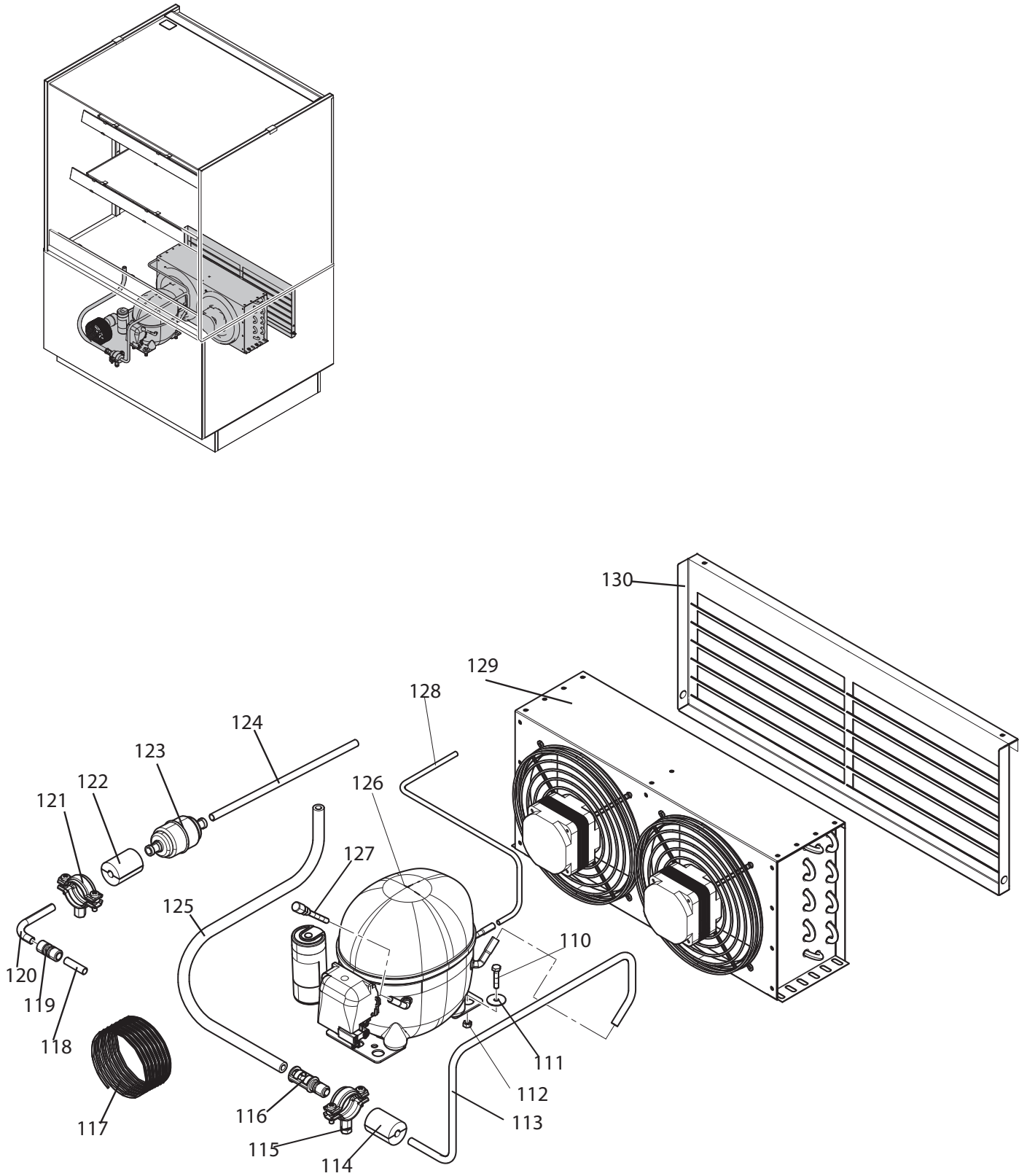
## 12.0 Exploded view MCC Cold Electrical (Self Serve)



## 12.0 Exploded view MCC Cold Electrical (Self Serve)

Number	Description	Article number	Quantity
131	Led Armature MCC 24	9384090	3
	Led Armature MCC 36	9384111	3
	Led Armature MCC 48	9384288	
132	Led 3000k 12V 700mm MCC 24	9382067	3
	Led 3000k 12V 1000mm MCC 36	9382068	3
	Led 3000k 12V 1300mm MCC 48	9382105	3
133	Led Armature support bracket	9384091	
134	Switch dummy	30002730	1
135	Switch dummy	30002730	1
136	Switch dummy	30002730	1
137	Eliwell EWplus 974 EO	9381018	1
138	Sticker Black Elect. Sign triangle	3500105	1
139	Data plate	9110810	1
140	Sensor NTC	9381017	
141	Sensor NTC	9381017	
143	Cover electronics box	9384095	1
144	Din Rail1	9293057	
145	End Clamp Clip-fix 35-5 PHX	<a href="#">9191222</a>	1
146	Power supply 24VDC 40W	9381012	1
147	End cover D=PT 4 PHX	<a href="#">9191223</a>	1
148	Terminal PT 4 (GN/YE)	<a href="#">9191239</a>	
	Terminal PT 4 (GY)	<a href="#">9191240</a>	
149	End Clamp Clip-fix 35-5 PHX	<a href="#">9191222</a>	1
150	Strain relief	<a href="#">9222076</a>	3
	Nut Cable gland	<a href="#">9222077</a>	3
151	Power cable	9091383	1
152	Box electronics	9384094	1
153	Compact fan 614 NN	<a href="#">30001330</a>	5 - 9
155	Nut M4	<a href="#">0142307</a>	
156	Led driver EDXe 160/12.054	30007730	1
157	Compact fan 8414 NLU	9381015	5 - 9
158	Led Armature support bracket	9384091	

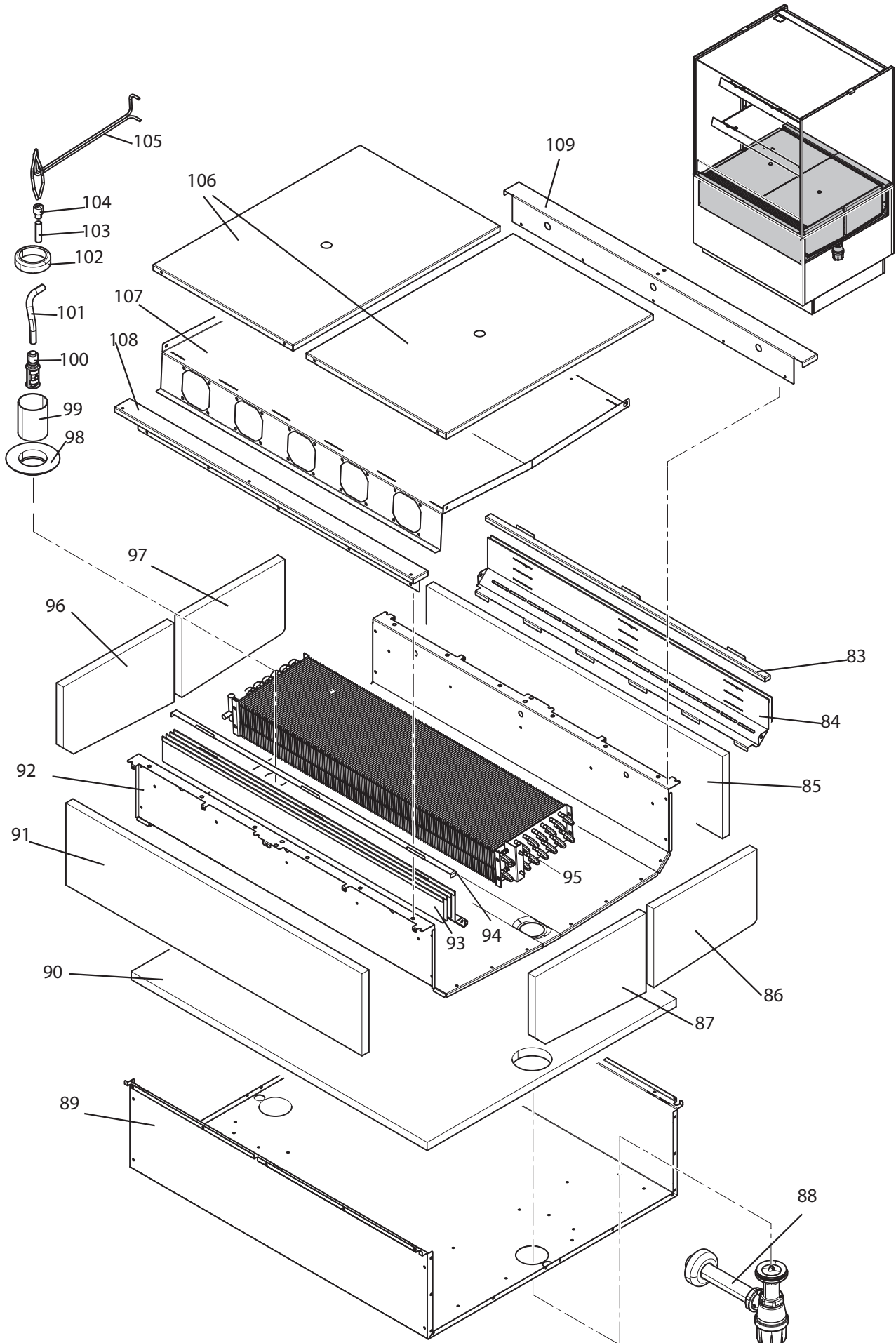
## 12.1 Exploded view MCC Cold Cooling engine (Self Serve)



## 12.1 Exploded view MCC Cold Cooling engine(Self Serve)

Number	Description	Article number	Quantity
113	Connection tube	9383017	
114	Pipe support Armafix	2650252	
115	Clamp 31/37	2650216	
116	LOK clip AL NK9, 53-06	30005926	
119	LOK ring 9, 53 NK MS 50	30005928	
120	Connection tube	9383015	
121	Clamp 31/37	2650216	
122	Pipe support Armafix	2650252	
123	Fluid dryer Danfoss	7650204	1
124	Connection tube	9383014	
126	Compressor	9381003	1
127	Valve Schrader	<a href="#">0185216</a>	
128	Connection tube	9383016	
129	Condensor MCC 90 SS / MCC 120 FS Condensor MCC 150 SS Condensor MCC 120 SS / MCC 150 FS Condensor MCC 90 FS	9381004s 9381008s 9381010s 9381021s	Check by serial number required
130	Air flow cover	Depending on version	Check by serial number required

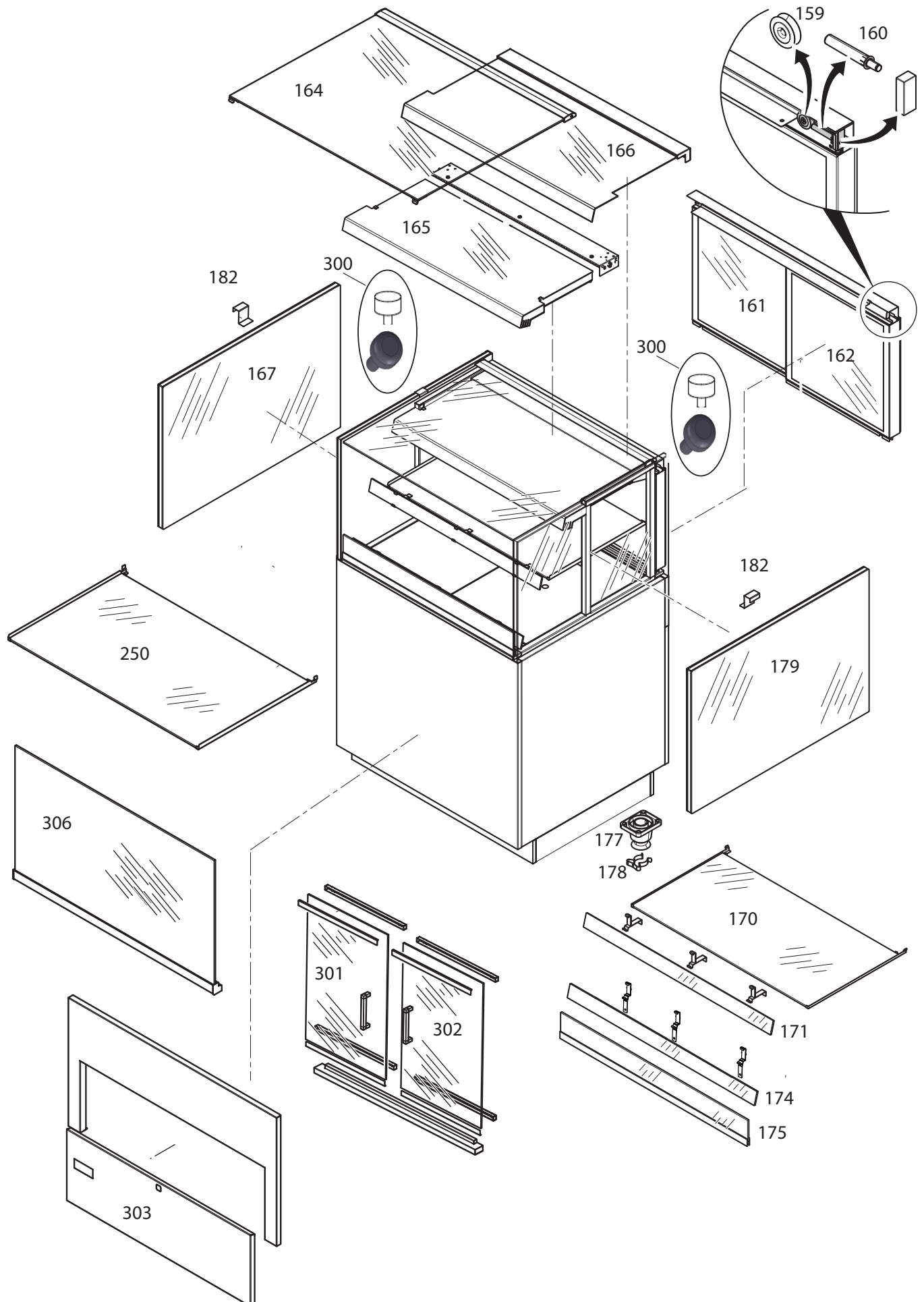
## 12.2 Exploded view MCC Cold Cooling (Self Serve)



## 12.2 Exploded view MCC Cold Cooling (Self Serve)

Number	Description	Article number	Quantity
83	Product plateau support MCC 24	9384082	1
	Product plateau support MCC 36	9384125	1
	Product plateau support MCC 48	9384290	1
84	Inner air guide MCC 24	9384076	1
	Inner air guide MCC 36	9384291	1
	Inner air guide MCC 48	9384292	1
85	Insulation back MCC 24	9382170	1
	Insulation back MCC 36	9382172	1
	Insulation back MCC 48	9382173	1
86	Insulation side cold set of two	9382078	set of 2
87	See 86		
88	Drain with siphon	9381002	1
89	Base outer frame MCC 24	9384023	1
	Base outer frame MCC 36	9384024	1
	Base outer frame MCC 48	9384025	1
90	Insulation bottom MCC 24	9382076	1
	Insulation bottom MCC 36	9382083	1
	Insulation bottom MCC 48	9382119	1
91	Insulation front	9382077	1
92	Inner shell MCC 24	9384096	1
	Inner shell MCC 36	9384142	1
	Inner shell MCC 48	9384219	1
94	Product plateau support MCC 24	9384082	1
	Product plateau support MCC 36	9384125	1
	Product plateau support MCC 48	9384290	1
95	Assy evaporator PT MCC 24 SS	9380159s	Check by serial number required
	Assy evaporator PT MCC 36 SS	9380160s	
	Assy evaporator PT MCC 48 SS	9380161s	
	Assy evaporator SB MCC 24 SS	9380155s	
	Assy evaporator SB MCC 36 SS	9380189s	
	Assy evaporator SB MCC 48 SS	9380191s	
96	See 86		
97	See 86		
98	Rosette type 220 1 1/4"	2104020	1
99	Protective tube	2104012	1
100	Lokclip AL NK9, 53-06	30005926	1
101	Connection tube evaporator	9383013	1
102	Rosette type 240 1 1/4"	9381001	1
106	Product plateau MCC 24 400 mm	9384082	2
	Product plateau MCC 36 mm	9384125	2
	Product plateau MCC 48 mm	9384290	2
107	Fan plate MCC 24	9384080	1
	Fan plate MCC 36	9384283	1
	Fan plate MCC 48	9384284	1

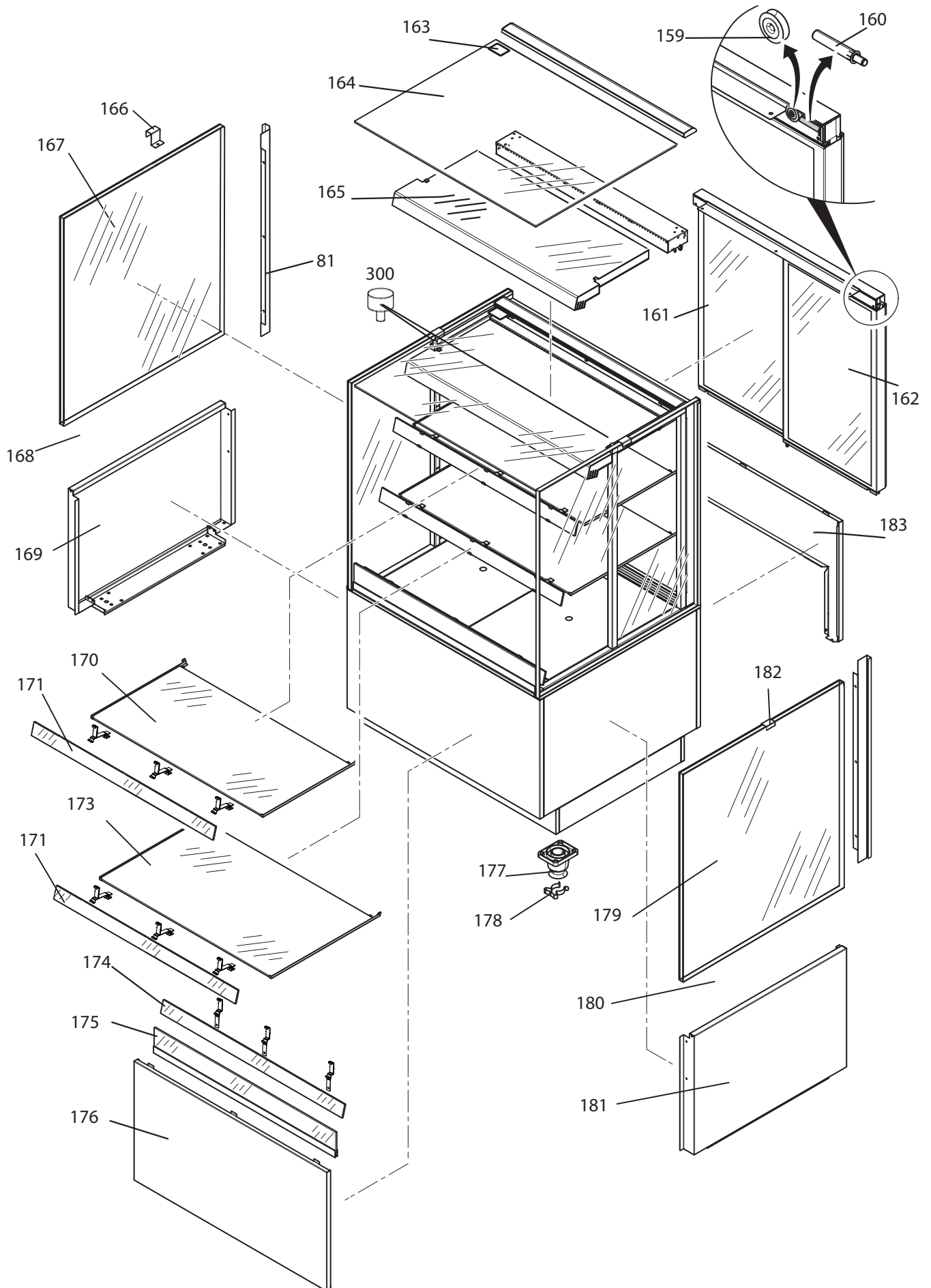
## 12.3 Exploded view MCC Cold 2 Level



## 12.3 Exploded view MCC Cold 2 Level

Number	Description	Article number	Quantity
159	Steel-roller bearing	9382100	4
160	Soft close damper 3N	9281078	4
161	Assy Glass sliding door 24 Right Assy Glass sliding door 36 Right Assy Glass sliding door 48 Right	9380764 9380766 9380768	1 1
162	Assy Glass sliding door 24 Left Assy Glass sliding door 36 Left Assy Glass sliding door 48 Left	9380765 9380767 9380769	1 1 1
164	Top Glass Square MCC 24 Top Glass Square MCC 36 Top Glass Square MCC 48	9382164s 9382166s 9382167s	1 1 1
165	Assy. Air box MCC 24 SS Assy. Air box MCC 36 SS Assy. Air box MCC 48 SS	9380047 9380076 9380113	1 1 1
166	Assy. air guide MCC 24 FS Assy. air guide MCC 36 FS Assy. air guide MCC 48 FS	9380055s 9380057s 9380046s	1 1 1
167	Side glass MCC 2 level	9382750s	1
170	Glass Shelf 410 mm MCC 24 SS Glass Shelf 410 mm MCC 36 SS Glass Shelf 410mm MCC 48 SS	9382052s 9382056s 9382109s	1 1 1
171	Assy price rail glass shelf MCC 24 Assy price rail glass shelf MCC 36 Assy price rail glass shelf MCC 48	9380052s 9380073s 9380117s	2 2 2
174	Assy price rail glass Bottom shelf MCC 24 Assy price rail glass Bottom shelf MCC 36 Assy price rail glass Bottom shelf MCC 48	9380053s 9380040s 9380116s	1 1 1
175	Child guard assy MCC 24 Child guard assy MCC 36 Child guard assy MCC 48	9380018 9380019 9380020	1 1 1
177	Adjustable leg	9291162	1
178	Tool clamp	8071090	1
179	Side glass MCC 2 level	9382750s	1
182	Side glass topside bracket	9384201	2 ( see 166 )
250	Glass Shelf 475 mm MCC 24 SS Glass Shelf 475 mm MCC 36 SS Glass Shelf 475 mm MCC 48 SS	9380051s 9380069s 9380119s	1 1 1
300	Plug top glass-pane White Plug top glass black	9263022 9381046	2 2
301	Assy. front door left MCC 24 Assy. front door left MCC 36 Assy. front door left MCC 48	9380585 9380586 9380584	1 1 2
		seen from customer side	
302	Assy. front door right MCC 24 Assy. front door right MCC 36 Assy. front door right MCC 48	9380582 9380583 9380587	1 1 1
		seen from customer side	
303	Front panel turnable MCC 24 Front panel turnable MCC 36 Front panel turnable MCC 48	9380133 9380133 9380133	1 1 1
306	Assy. glass tiled forward MCC 24 Assy. glass tiled forward MCC 36 Assy. glass tiled forward MCC 48	9382752s 9382753s 9382754s	1 1 1

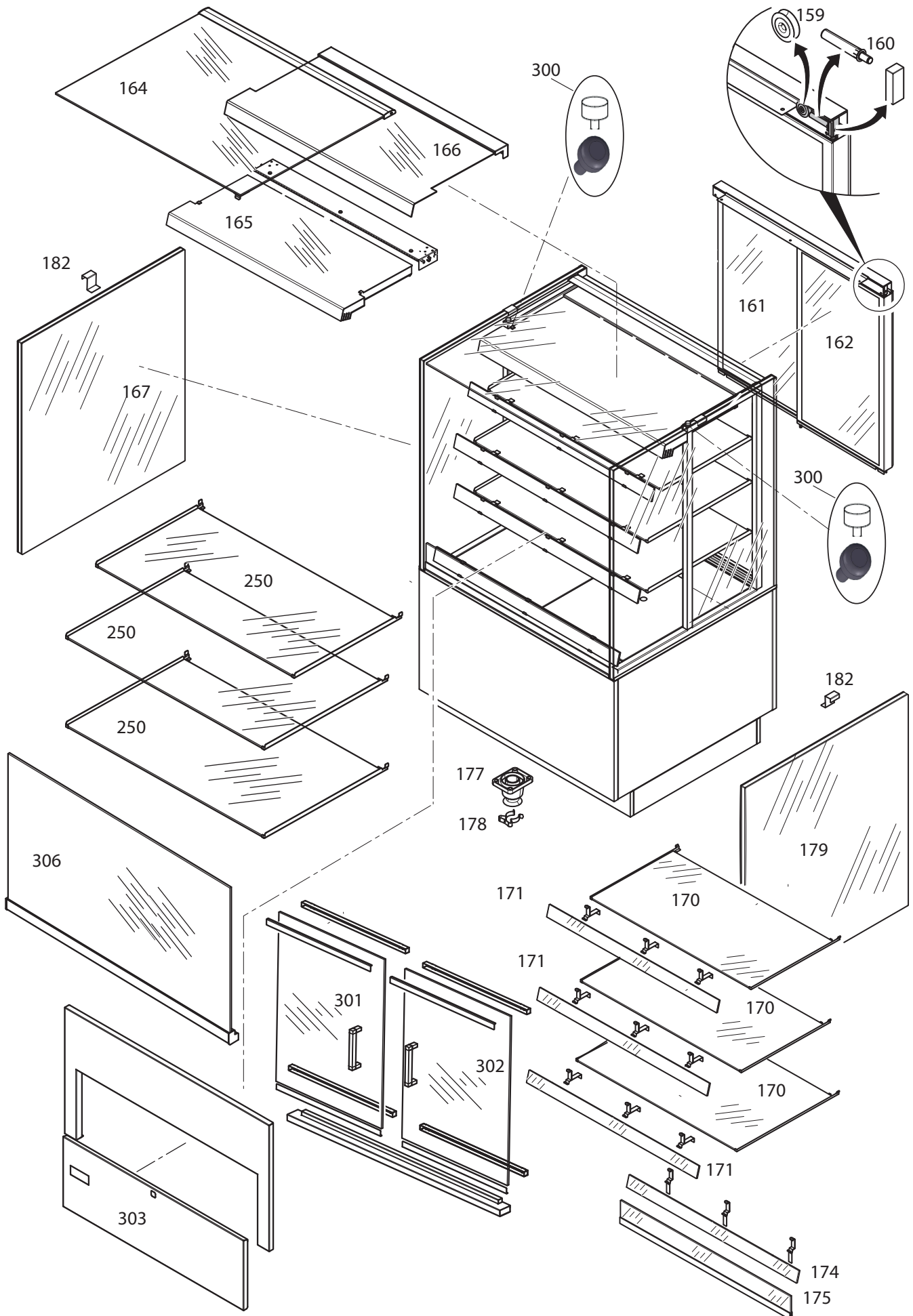
## 12.4 Exploded view MCC Cold 3 Level (Self Serve)



## 12.4 Exploded view MCC Cold 3 Level ( Self Serve)

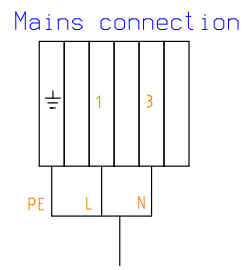
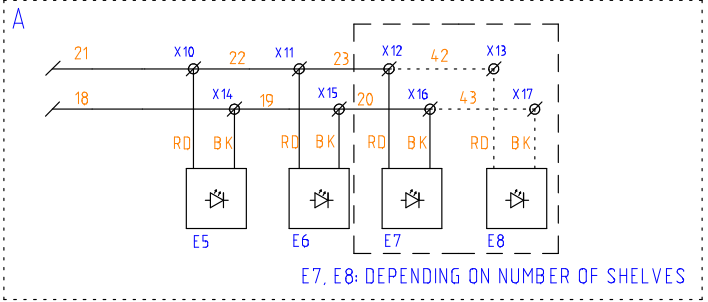
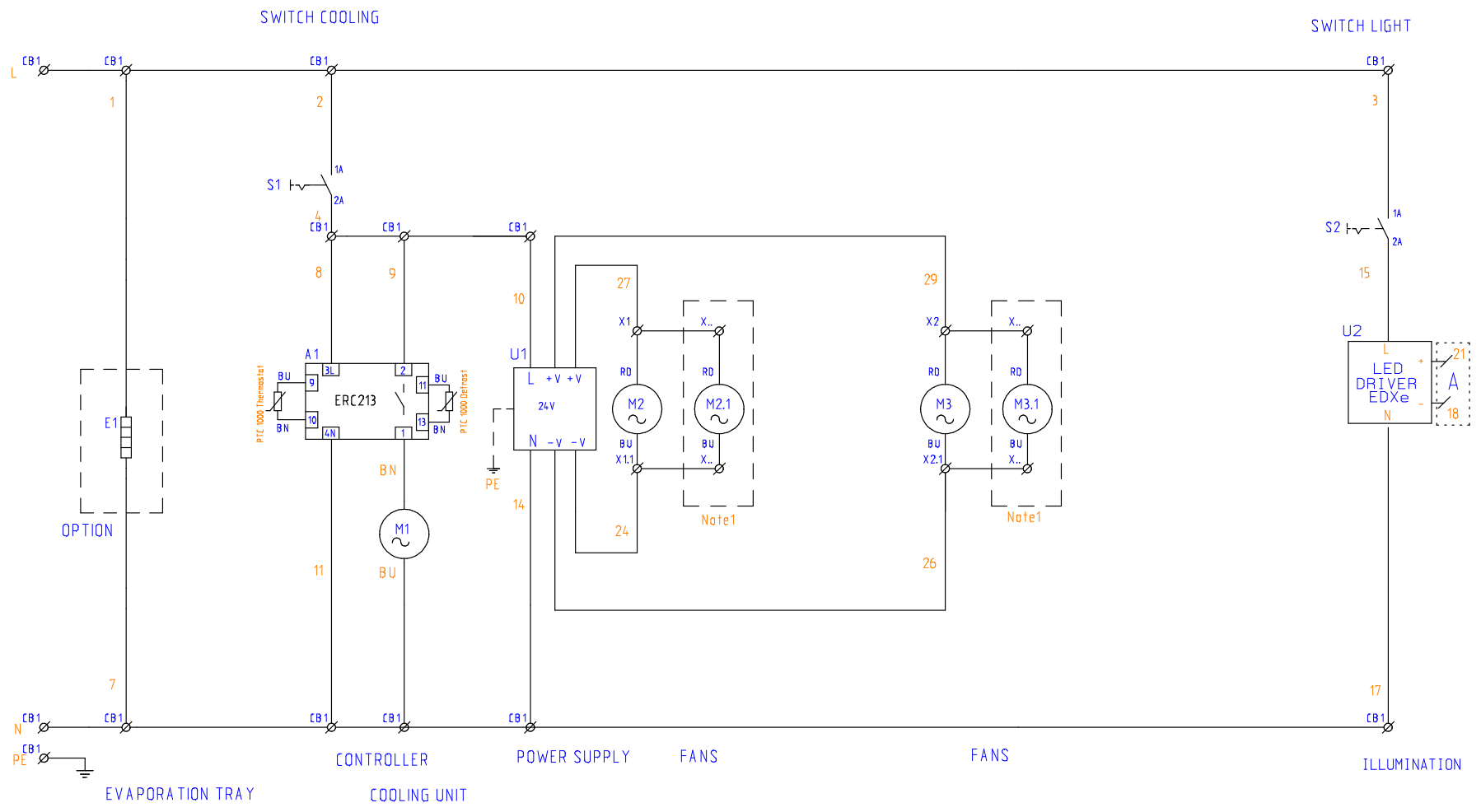
Number	Description	Article number	Quantity
159	Steel-roller bearing	9382100	4
160	Soft close damper 3N	9281078	4
161	Assy Glass sliding door 24 Right V0 Assy Glass sliding door 24 Right V1 Assy Glass sliding door 36 Right V0 Assy Glass sliding door 36 Right V1 Assy Glass sliding door 48 Right V0 Assy Glass sliding door 48 Right V1	9380220s 9380210s 9380222s 9380212s 9380224s 9380214s	1 1 1 1 1 1
162	Assy Glass sliding door 24 Left Assy Glass sliding door 36 Left Assy Glass sliding door 48 Left	9380211s 9380213s 9380215s	1 1 1
163	Label max load 22 Lbs	9123759	1
164	Top Glass Square MCC 24 Top Glass Square MCC 36 Top Glass Square MCC 48	9382164s 9382166s 9382167s	1 1 1
165 see also 157 (single fan)	Assy. Air box MCC 24 SS Assy. Air box MCC 36 SS Assy. Air box MCC 48 SS	9380002 9380098 9380137	1 1 1
166	Side glass topside bracket	9384201	2 ( see 182 )
167	Side glass MCC	9382030	1
168	Base end cover panel	9384021	1
170	Glass Top Shelf 410 mm MCC 24 Glass Top Shelf 410 mm MCC 36 Glass Top Shelf 410mm MCC 48	9382052s 9382056s 9382109s	1 1 1
171	Assy price rail glass shelf MCC 24 Assy price rail glass shelf MCC 36 Assy price rail glass shelf MCC 48	9380052s 9380073s 9380117s	2 2 2
173	Glass Middle Shelf 475mm MCC 24 Glass Middle Shelf 475mm MCC 36 Glass Middle Shelf 475mm MCC 48	9382051s 9382055s 9382108s	1 1 1
174	Assy price rail glass Bottom shelf MCC 24 Assy price rail glass Bottom shelf MCC 36 Assy price rail glass Bottom shelf MCC 48	9380053s 9380040s 9380116s	1 1 1
175	Child guard assy MCC 24 Child guard assy MCC 36 Child guard assy MCC 48	9380018 9380019 9380020	1 1 1
176	Front panel MCC 24 Front panel MCC 36 Front panel MCC 48	9384002 9384003 9384004	1 1 1
177	Adjustable leg	9291162	1
178	Tool clamp	8071090	1
179	Side glass MCC	9382030	1
180	Base end cover panel	9384021	1
182	Side glass topside bracket	9384201	2 ( see 166 )
183	Back panel 24 Back panel 36 Back panel 48	9384007 9384008 9384009	1 1 1
300	Plug top glass-pane (White) Plug top glass-pane (Black)	9263022 9381046	2 2

## 12.5 Exploded view MCC Cold 4 Level



## 12.5 Exploded view MCC Cold 4 Level

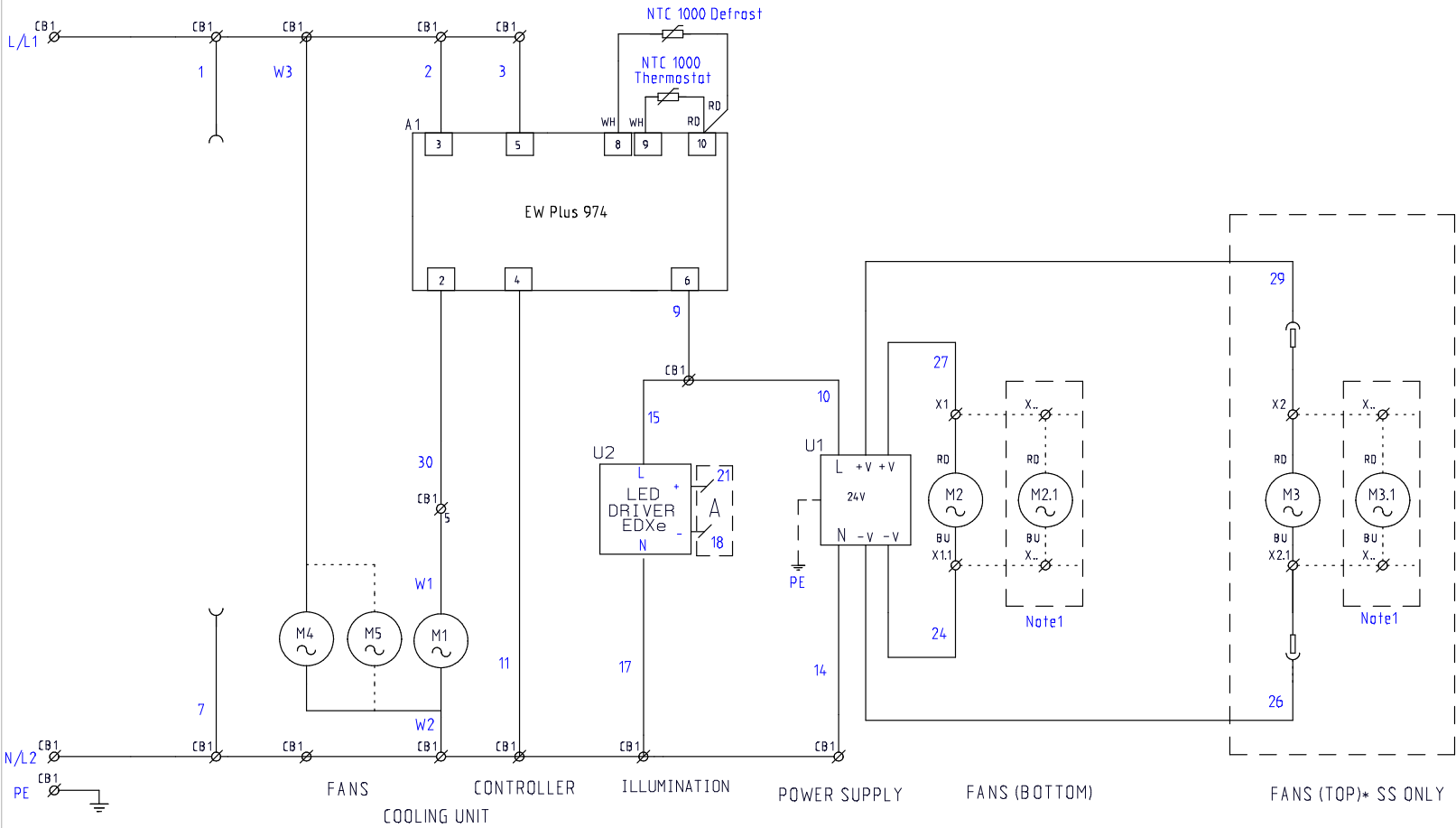
Number	Description	Article number	Quantity
159	Steel-roller bearing	9382100	4
160	Soft close damper 3N	9281078	4
161	Assy Glass sliding door 24 Right V1 Assy Glass sliding door 36 Right V1 Assy Glass sliding door 48 Right V1	9380210s 9380212s 9380214s	1 1 1
162	Assy Glass sliding door 24 Left Assy Glass sliding door 36 Left Assy Glass sliding door 48 Left	9380211s 9380213s 9380215s	1 1 1
164	Top Glass Square MCC 24 Top Glass Square MCC 36 Top Glass Square MCC 48	9382164s 9382166s 9382167s	1 1 1
165	Assy. Air box MCC 24 SS Assy. Air box MCC 36 SS Assy. Air box MCC 48 SS	9380002 9380098 9380137	1 1 1
166	Assy. air guide MCC 24 FS Assy. air guide MCC 36 FS Assy. air guide MCC 48 FS	9380055 9380057 9380046	1 1 1
167	Side glass MCC 3/4 level	9382030s	1
170	Glass Shelf 410 mm MCC 24 SS Glass Shelf 410 mm MCC 36 SS Glass Shelf 410mm MCC 48 SS	9382052s 9382056s 9382109s	1 1 1
171	Assy price rail glass shelf MCC 24 Assy price rail glass shelf MCC 36 Assy price rail glass shelf MCC 48	9380052s 9380073s 9380117s	2 2 2
174	Assy price rail glass Bottom shelf MCC 24 Assy price rail glass Bottom shelf MCC 36 Assy price rail glass Bottom shelf MCC 48	9380053s 9380040s 9380116s	1 1 1
175	Child guard assy MCC 24 Child guard assy MCC 36 Child guard assy MCC 48	9380018 9380019 9380020	1 1 1
177	Adjustable leg	9291162	1
178	Tool clamp	8071090	1
179	Side glass MCC 3/4 level	9382030s	1
182	Side glass topside bracket	9384201	2 ( see 166 )
250	Glass Shelf 410 mm MCC 24 SS Glass Shelf 410mm MCC 36 SS Glass Shelf 410 mm MCC 48 SS  Glass Shelf 475 mm MCC 24 SS Glass Shelf 475 mm MCC 36 SS Glass Shelf 475 mm MCC 48 SS	9380050s 9380068s 9380118s  9380051s 9380069s 9380119s	1 1 1  2 2 2
300	Plug top glass-pane (White) Plug top glass-pane (Black)	9263022 9381046	2 2
301	Assy. glass front door Left MCC 24 Assy. glass front door Left MCC 36 Assy. glass front door Left MCC 48	9380382s 9380383s 9380384s	1 1 2
302	Assy. glass front door Right MCC 24 Assy. glass front door Right MCC 36 Assy. glass front door Right MCC 48	9380385s 9380386s 9380387s	1 1 1
303	Assy front panel turnable MCC 24 Assy front panel turnable MCC 36 Assy front panel turnable MCC 48	9380133 9380133 9380133	1 1 1
306	Assy. Glass till-ted forward MCC 24 Assy. Glass till-ted forward MCC 36 Assy. Glass till-ted forward MCC 40	9382029s 9382034s 9382123s	1 1 1



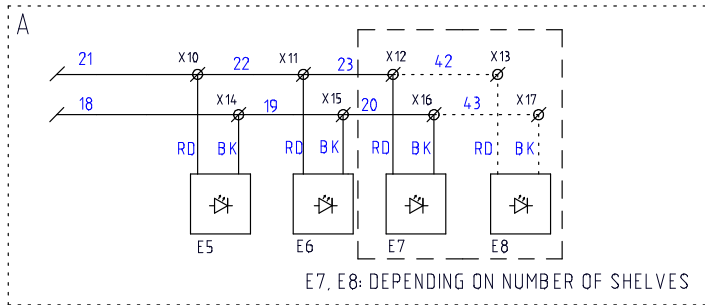
Note1: QTY depending on width of the unit

- BN - BROWN
- BU - BLUE
- GN - GREEN
- RD - RED
- YE - YELLOW
- BK - BLACK
- OR - ORANGE

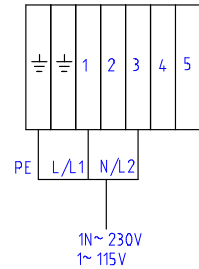
01	31.03.2020	update
REVISION	REV. DATE	REMARK
Tol. principle		Gen. tolerance
		Surface treatment
		Geom. tolerance
MATERIAL		
MATERIAL ART. NUMBER	DRAWN den Rooijen Admin	APPROVED
UNIT mm	STATUS In Progress	DATE 20.01.2020
SCALE 1:1	PROJECT	DRAWING NUMBER 9380820
REMARKS		
DESCRIPTION	ART. NUMBER	REV. SIZE
Circuit diagram MCC COLD SS	9380820	A A3



WH - WHITE  
 BU - BLUE  
 GN - GREEN  
 RD - RED  
 YE - YELLOW  
 BK - BLACK  
 OR - ORANGE



Mains connection



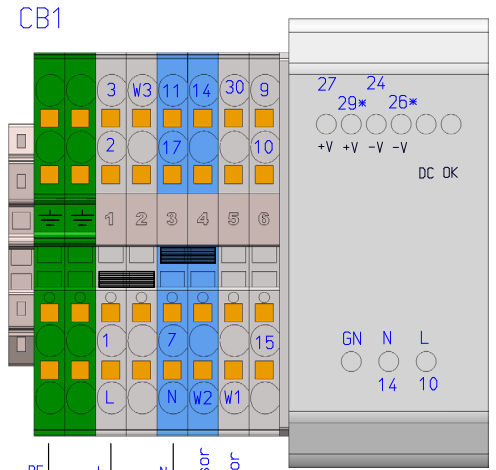
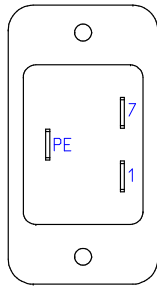
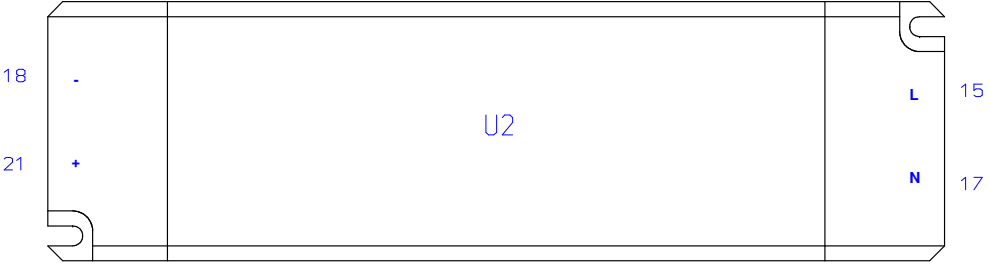
Note1: QTY depending on width of the u

07	14.07.2021	NTC		
06	01.02.2021	115V		
REVISION	REV. DATE	REMARK		
Tol. principle	Gen. tolerance	Surface treatment	Gen. tolerance	
MATERIAL				
MATERIAL ART. NUMBER	DRAWN	den Rooijen Admin	APPROVED	
UNIT	mm	STATUS	In Progress	DATE 20.01.2
SCALE	1:1	PROJECT		DRAWING NUMBER 938
REMARKS				
DESCRIPTION			ART. NUMBER	
Circuit diagram MCC COLD SS/FS			9380820	

# 13.1 Electrical schematics MCC Cold (Self Serve)

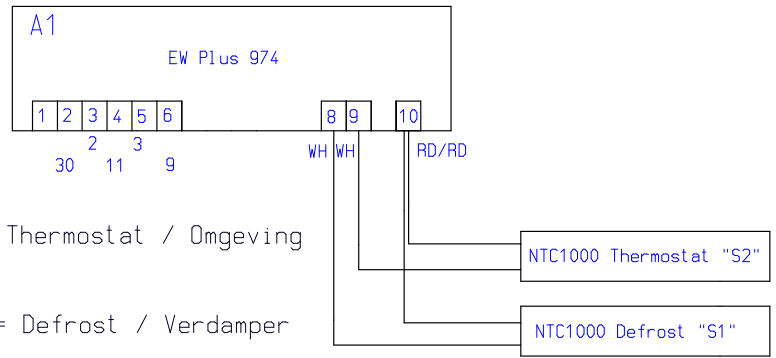
Schematics till production week 42 2021

# 13.2 Electrical wiring MCC Cold (Self Serve)



power supply

\* SS ONLY



Sticker "S2" (red) = Thermostat / Omgeving

Sticker "S1" (blue) = Defrost / Verdampfer

07	27.05.2021	connections U1
06	05.01.2021	PTCs switched
REVISION	REV. DATE	REMARK
Tol. principle	Gen. tolerance	Surface treatment
		Geom. tolerance
MATERIAL		
MATERIAL ART. NUMBER	DRAWN den Rooijen Admin	APPROVED
UNIT mm	STATUS In Progress	DATE 06.02.2020
SCALE 1:2	PROJECT	DRAWING NUMBER 9380821
REMARKS		
DESCRIPTION		ART. NUMBER
Wiring diagram COLD SS/FS		9380821
	REV. 6	SIZE A3



Fri-Jado B.V.  
Blauwhekken 2  
4751 XD Oud Gastel  
The Netherlands  
Tel: +31 (0) 76 50 85 400

Fri-Jado Inc.  
1401 Davey Road, Suite 100  
Woodridge IL 60517  
USA  
Tel: +1-630-633-7950