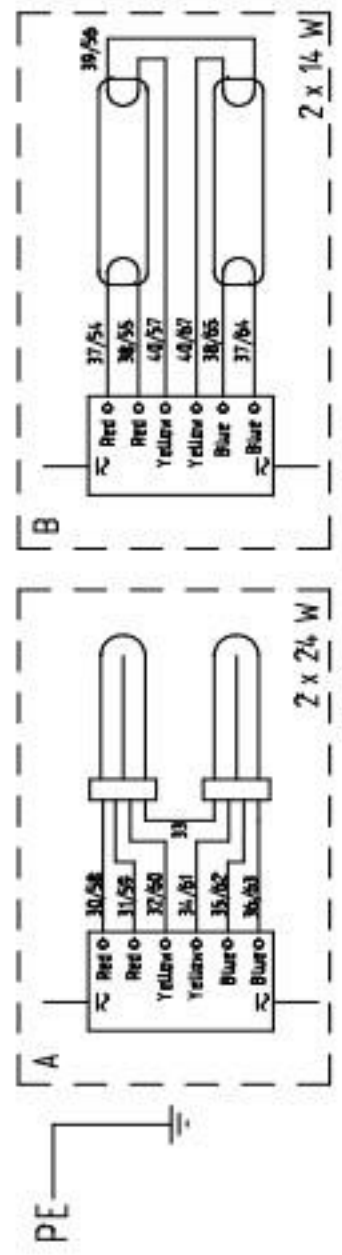
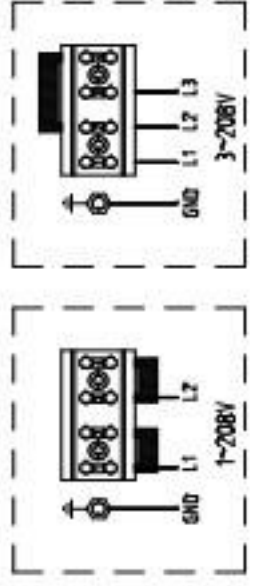


Heater	Value	Heater	Value	Fuse	Value
E1	600W	E4	600W	F1	10 A
E2	600W	E5	600W	F2	10 A
E3	600W			F3	2.5 A



Delivery connection



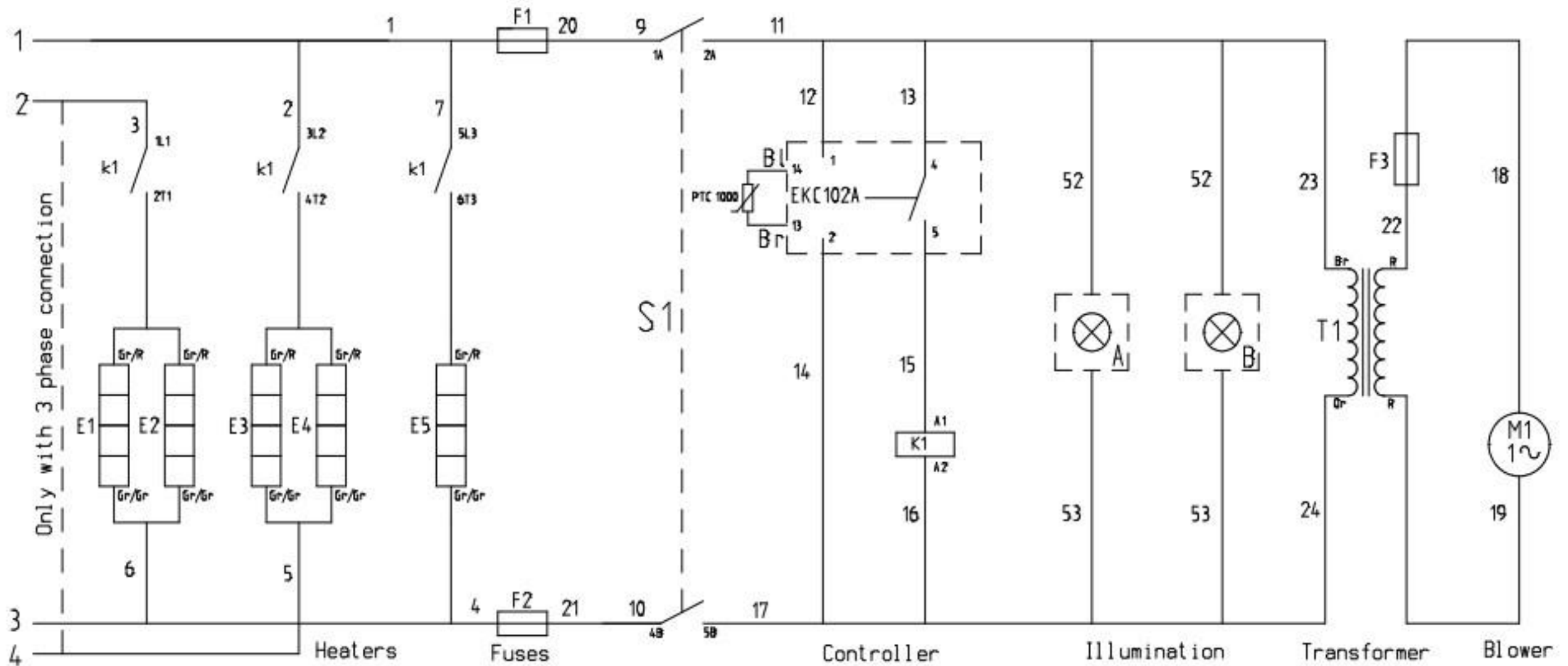
- BU = Blue
- BN = Brown
- RD = Red
- GR = Green

REVISION	REV. DATE	REMARK	Gen. tolerance	Surface treatment	Gen. tolerance

MATERIAL		REMARKS	
MATERIAL ART. NUMBER		DRAMA den Rooijen	APPROVED
UNIT mm		STATUS In Progress	DATE 11.07.2016
SCALE 1:2		PROJECT	DRAWING NUMBER 9220894

DESCRIPTION		ART. NUMBER	REV.	SIZE
Circuit diagram 208 V MDS 3A-2 ERC		9220894		A4





Only with 3 phase connection

Heaters

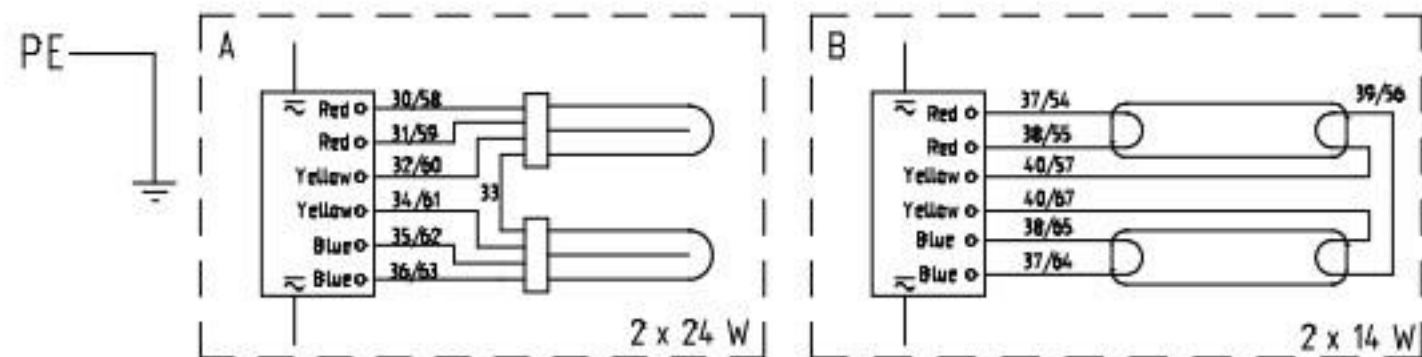
Fuses

Controller

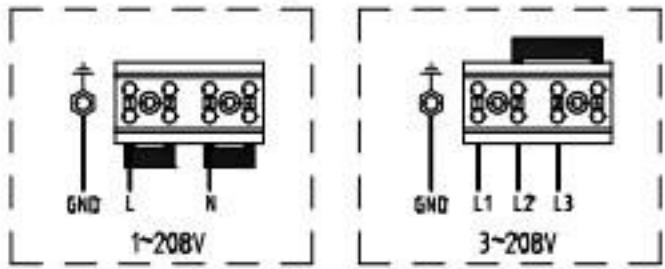
Illumination

Transformer

Blower



Delivery connection



Heater	Value	Heater	Value	Fuse	Value
E1	600W	E4	600W	F1	10 A
E2	600W	E5	600W	F2	10 A
E3	600W			F3	2.5 A

REVISION	REV. DATE	REMARK
Tol. principle	Gen. tolerance	Surface treatment
MATERIAL		
MATERIAL ART. NUMBER	DRAMM v. Dorst	APPROVED
UNIT mm	STATUS In Progress	DATE 21.05.2014
SCALE 1:2	PROJECT 922	DRAWING NUMBER 9220892
REMARKS		
DESCRIPTION		ART. NUMBER
Circuit diagram MDS 34-2		9220892
	REV.	SIZE
		A4