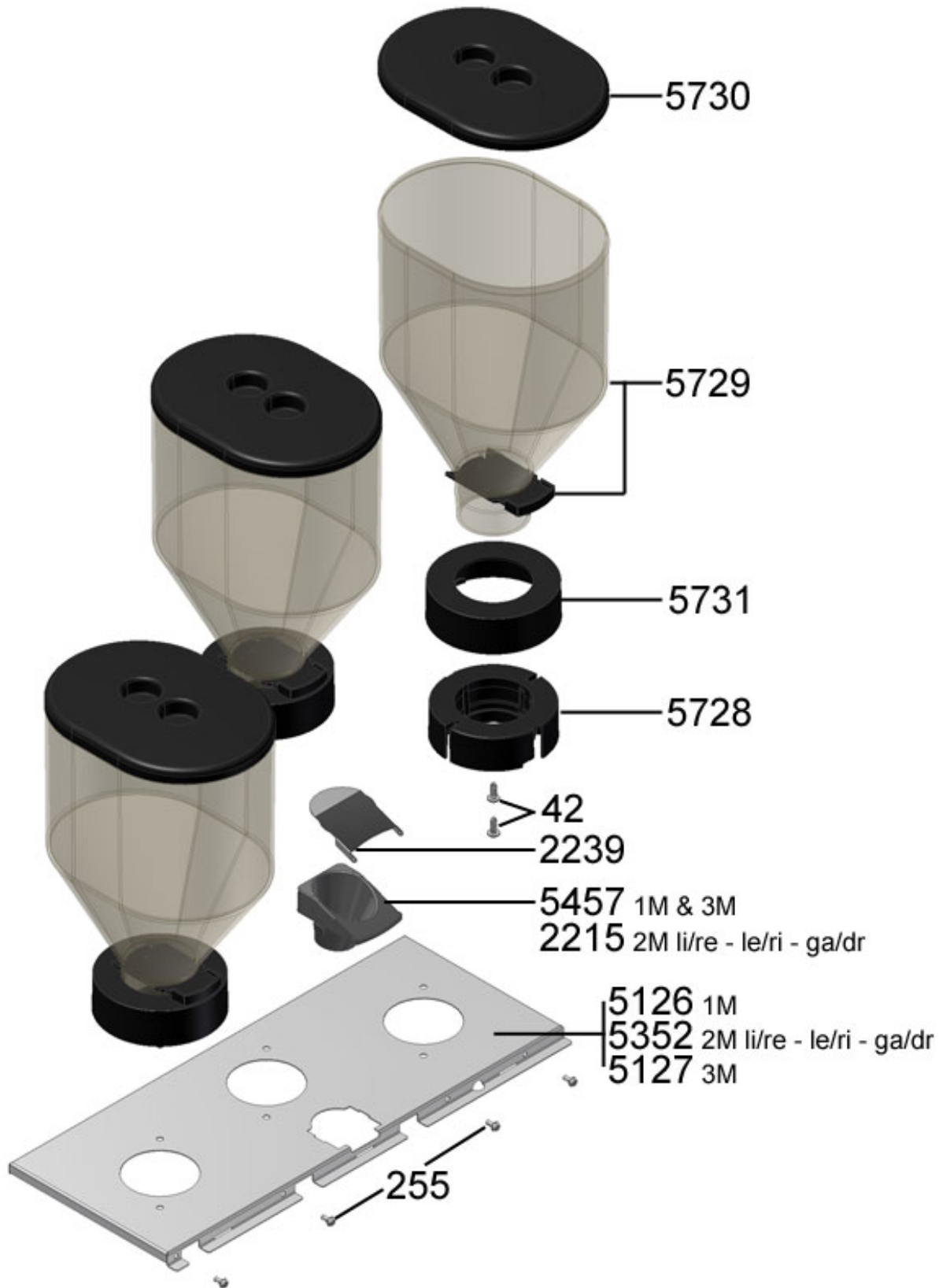
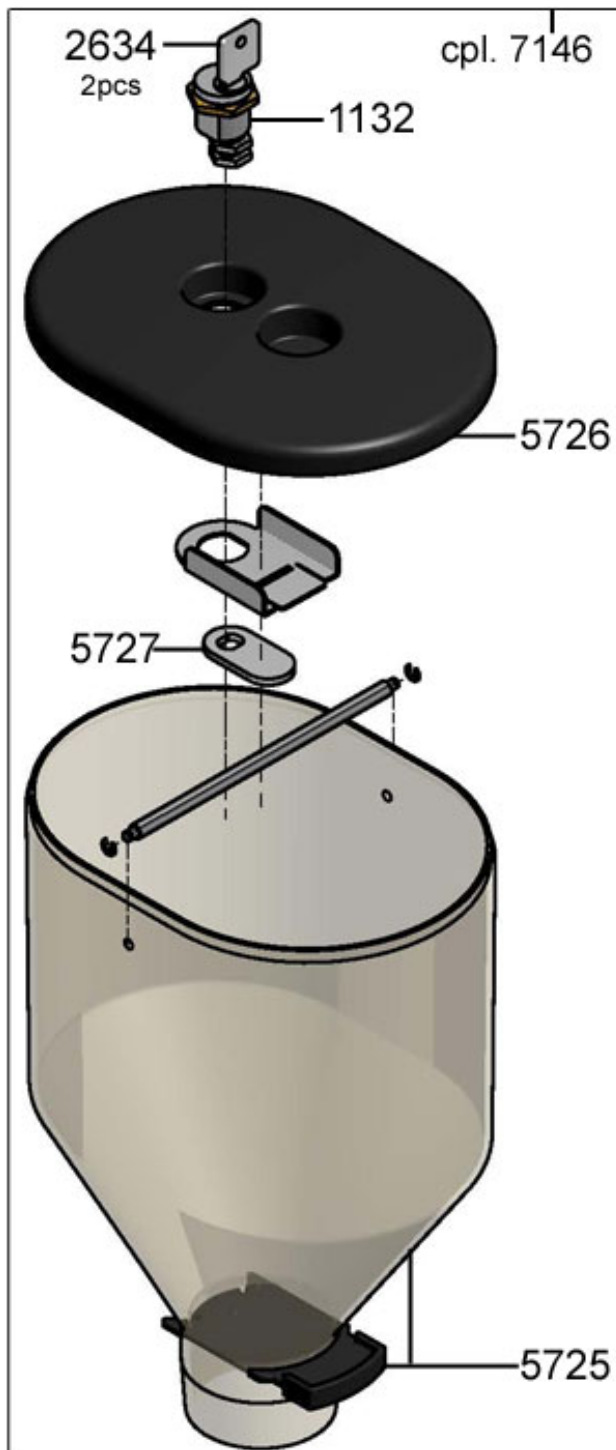


Sinfonia - Beancontainer / shield / cup support

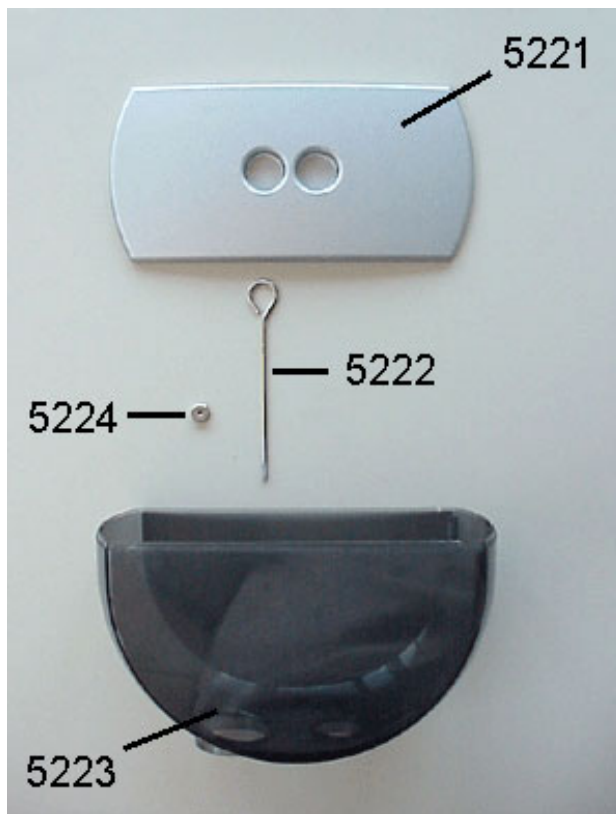


Sinfonia

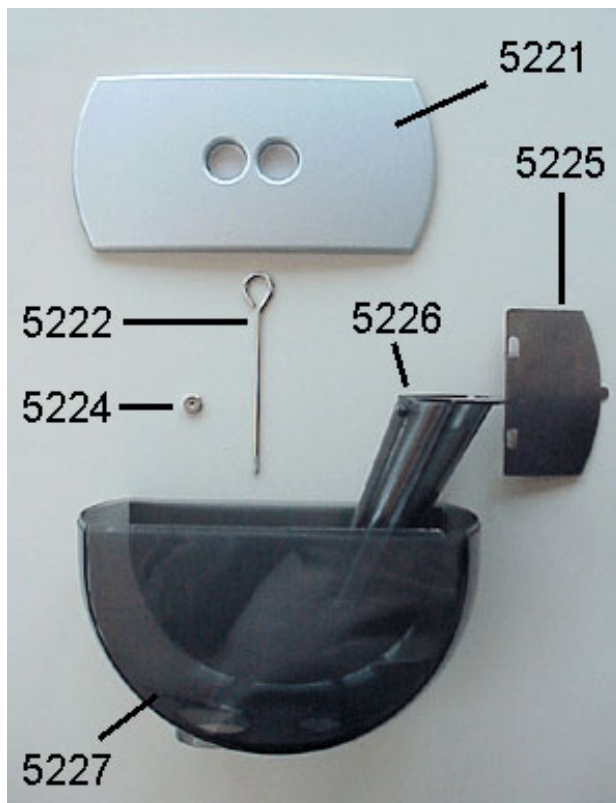




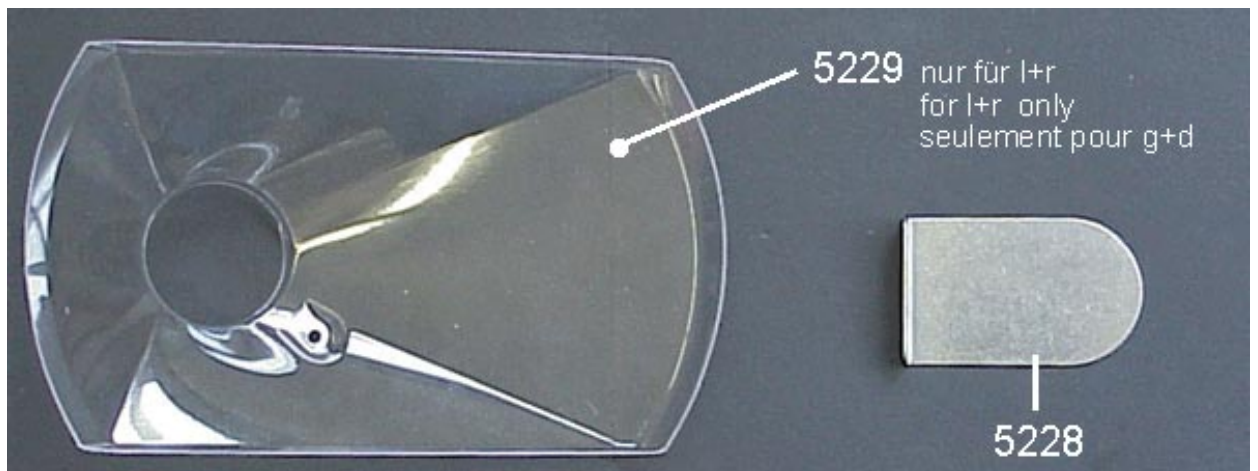
Bohnenbehälter links & rechts
Beanhopper left & right
Reservoir de grains à gauche & à droit

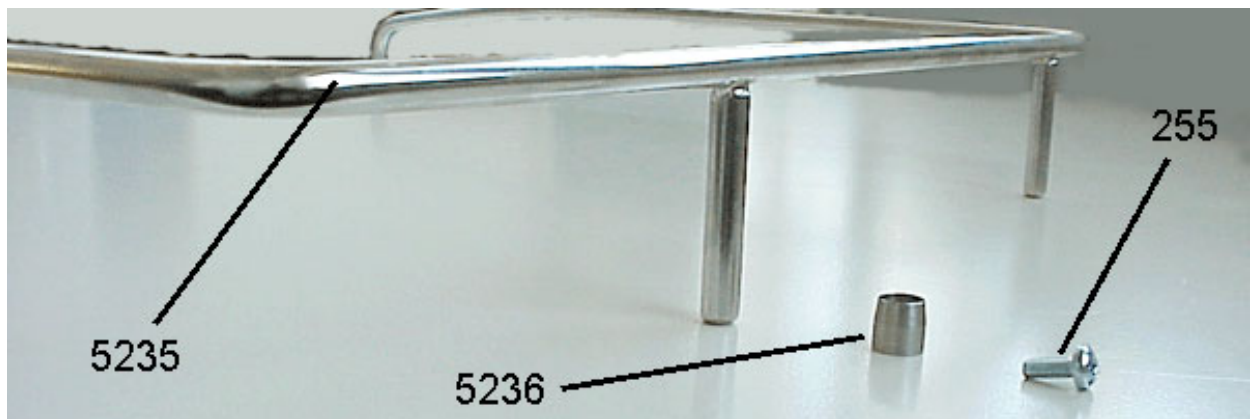
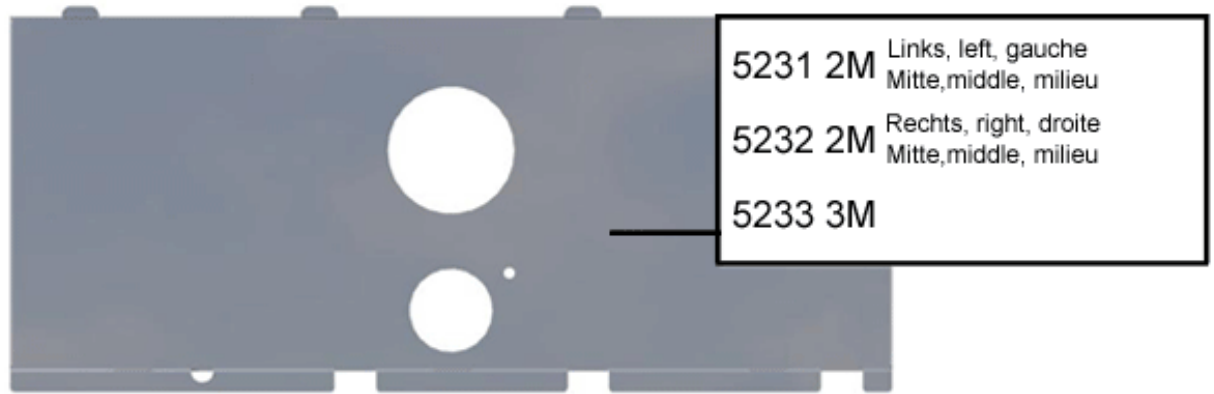


Bohnenbehälter mitte
Beanhopper middle
Reservoir de grains moyen

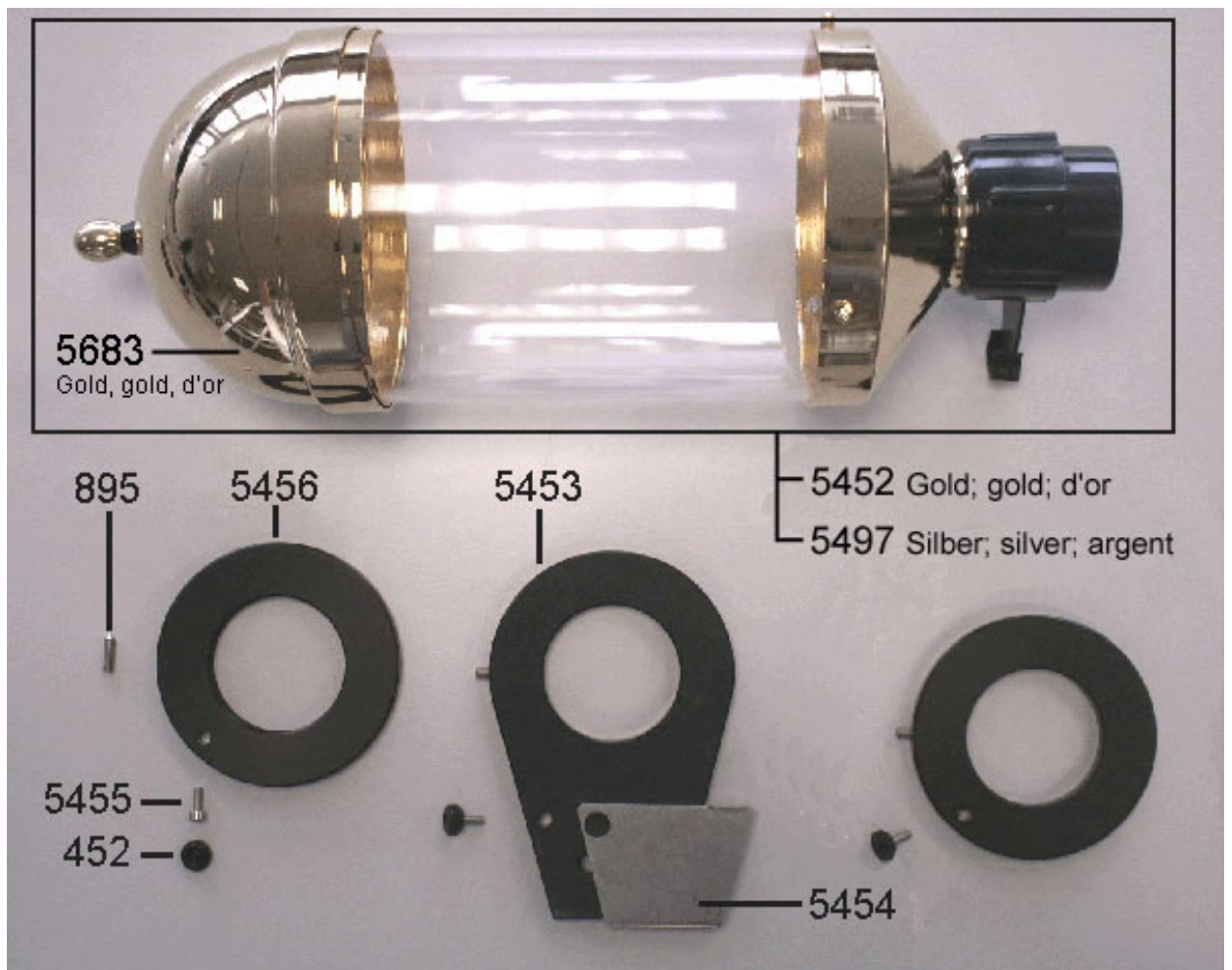


Bohnenbehälter abschliessbar
Bean container lockable
Conteneur à grains verrouillable

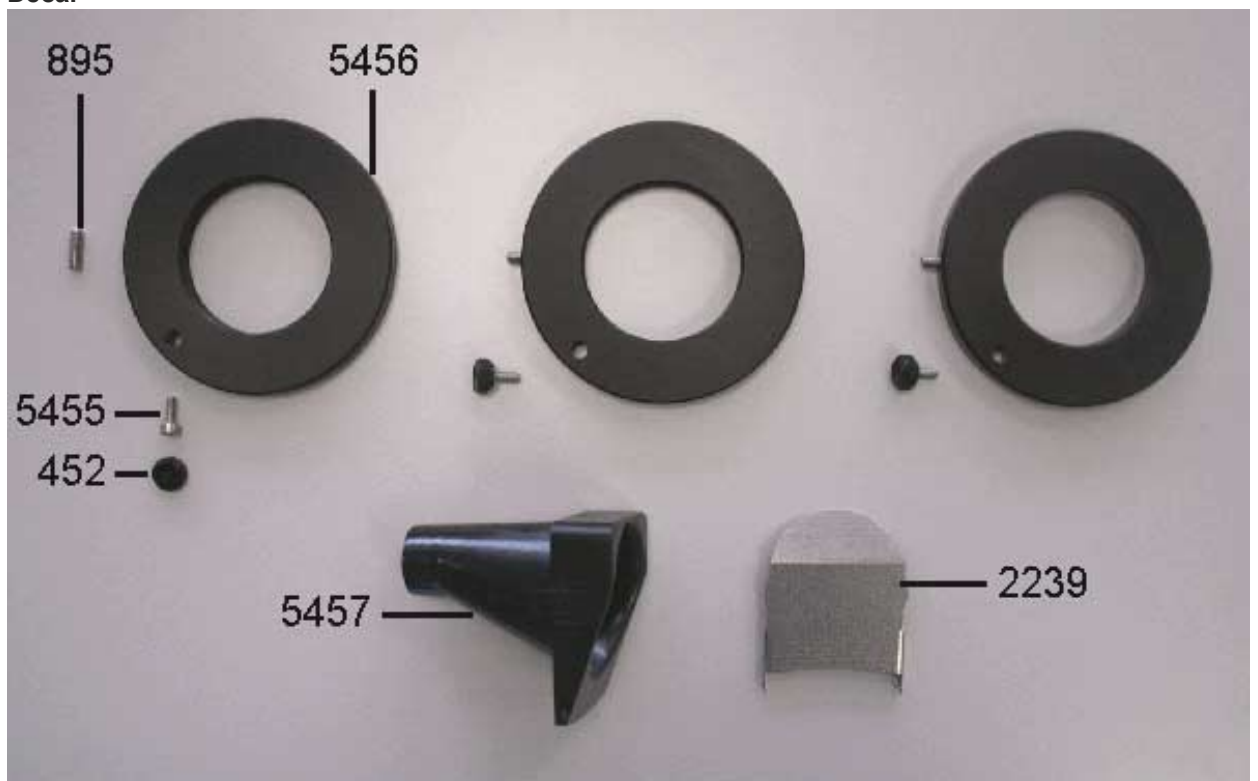




Sinfonia Gold / Sinfonia d'or



Für / for / pour
Decaf

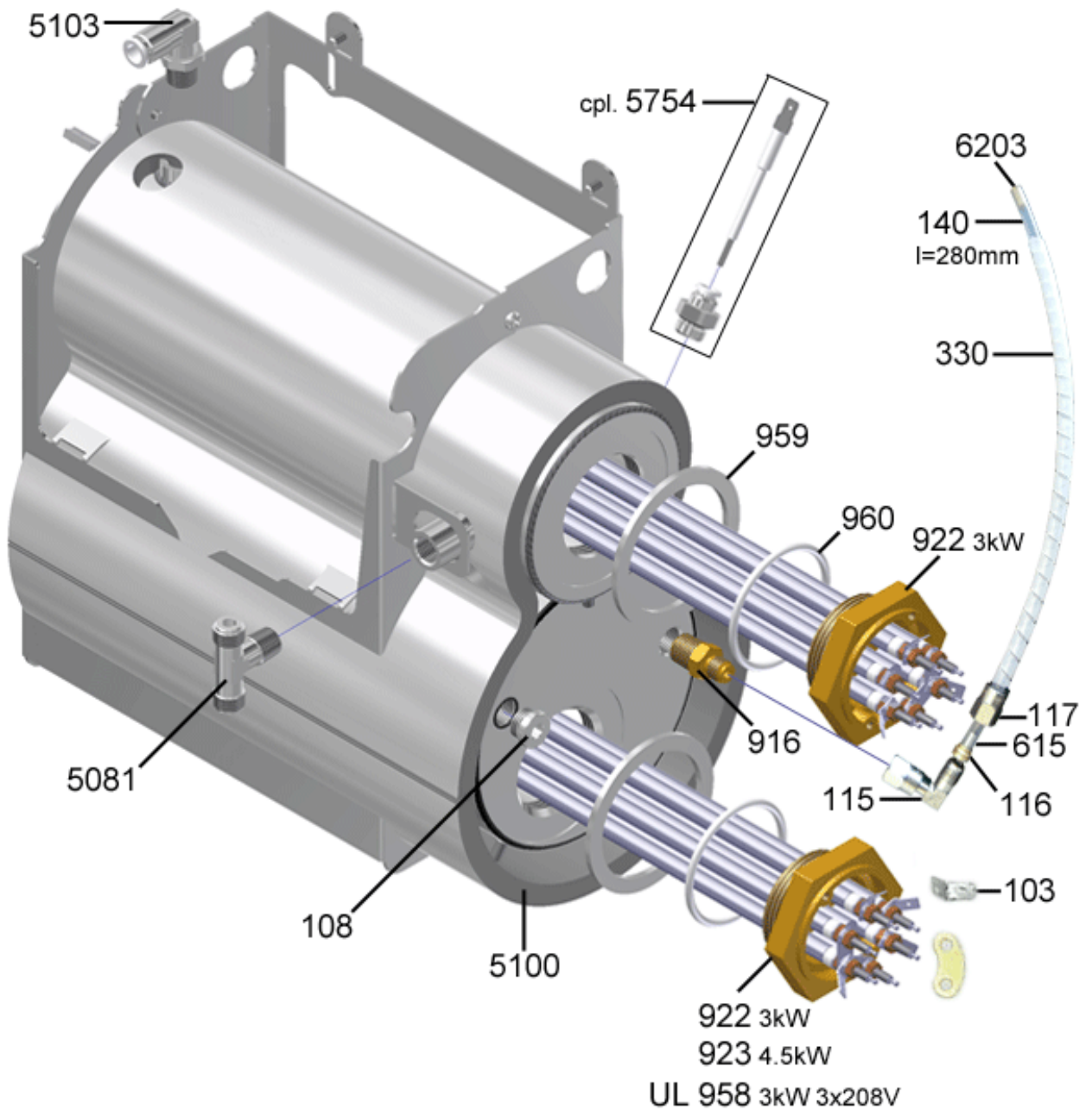


Pos. ▲	Name	Art. No.
1132	Lever cylinder	1L 296 255
2215	Funnel for manual filling	1T 311 164
2239	Cover for Funnel Handfilling	1T 311 179
255	Torque screw M4x8 mm	1T 310 040
2578	Bean container lockable	BK 311 451
2634	Spare key for 1L296255	BK 312 891
42	Torx screw	1T 310 401
452	Knurling-top M4	1T 310 086
5126	Cup plate rear 1 grinder center	1Y 321 033
5127	Cup plate rear 3M	1Y 321 032
5221	Cover beancontainer silver	1Y 320 189
5222	Bean container fixing	1Y 320 200
5223	Bean container left/right	1Y 320 012
5224	Threaded disc	1Y 320 201
5225	Flap for manual filling funnel	1Y 320 202
5226	Funnel for manual filling	1Y 320 119
5227	Bean container centre	1Y 320 013
5228	Slide to bean container	1Y 320 378
5229	Bean container insert	1Y 320 441
5231	left Cup plate rear 2nd grinder	1Y 320 131
5232	right Cup plate rear 2nd grinder	1Y 320 132
5233	Cup plate rear 3 grinders	1Y 320 129
5234	Cup plate front	1Y 320 128
5235	Cup frame	1Y 320 046
5236	Cup frame adapter	1Y 320 047
5352	Cup plate rear 2 grinder left/rigth	1Y 320 648
5452	Bean container gold	1Y 320 256
5453	Bean container holder center to bea	1Y 320 255
5454	Cover plate	1Y 320 257
5455	Hex. cap screw M4x10	02 299 233
5456	Bean container holder left/ right t	1Y 320 254
5457	Manual filler funnel shortened	BK 311 521
5497	Bean container silver	1Y 320 637
5683	Bean container lid gold	1Y 320 883
5725	Bean container09 w. slide lockable	BK 312 147
5726	Cover bean container 09 lockable	BK 312 148
5727	Locking lever 20.00.25	1L 300 377
5728	Bean container holder 09	1T 312 072
5729	Bean container 09 with slide	1T 312 076
5730	Cover bean container 09	1T 312 074
5731	Cap to bean container holder09	1T 312 073
5751	Bean container lockable center	BK 320 717
7146	Bean container 09 lockable comp.	BK 312 901
895	Hex. setscrew with point M5x16	02 296 481

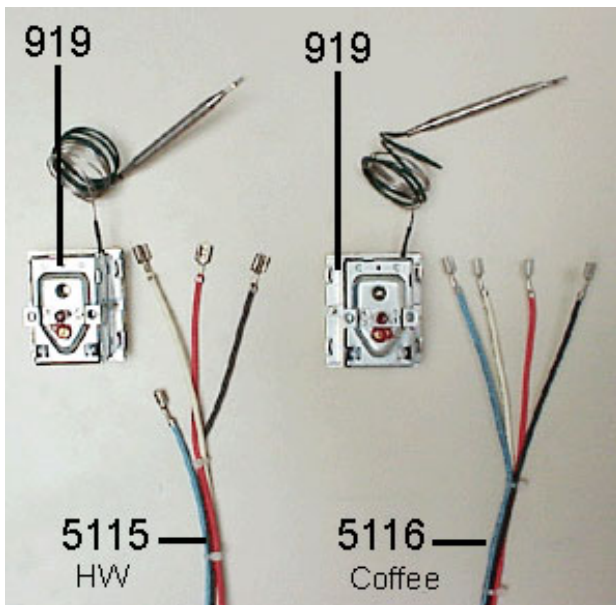
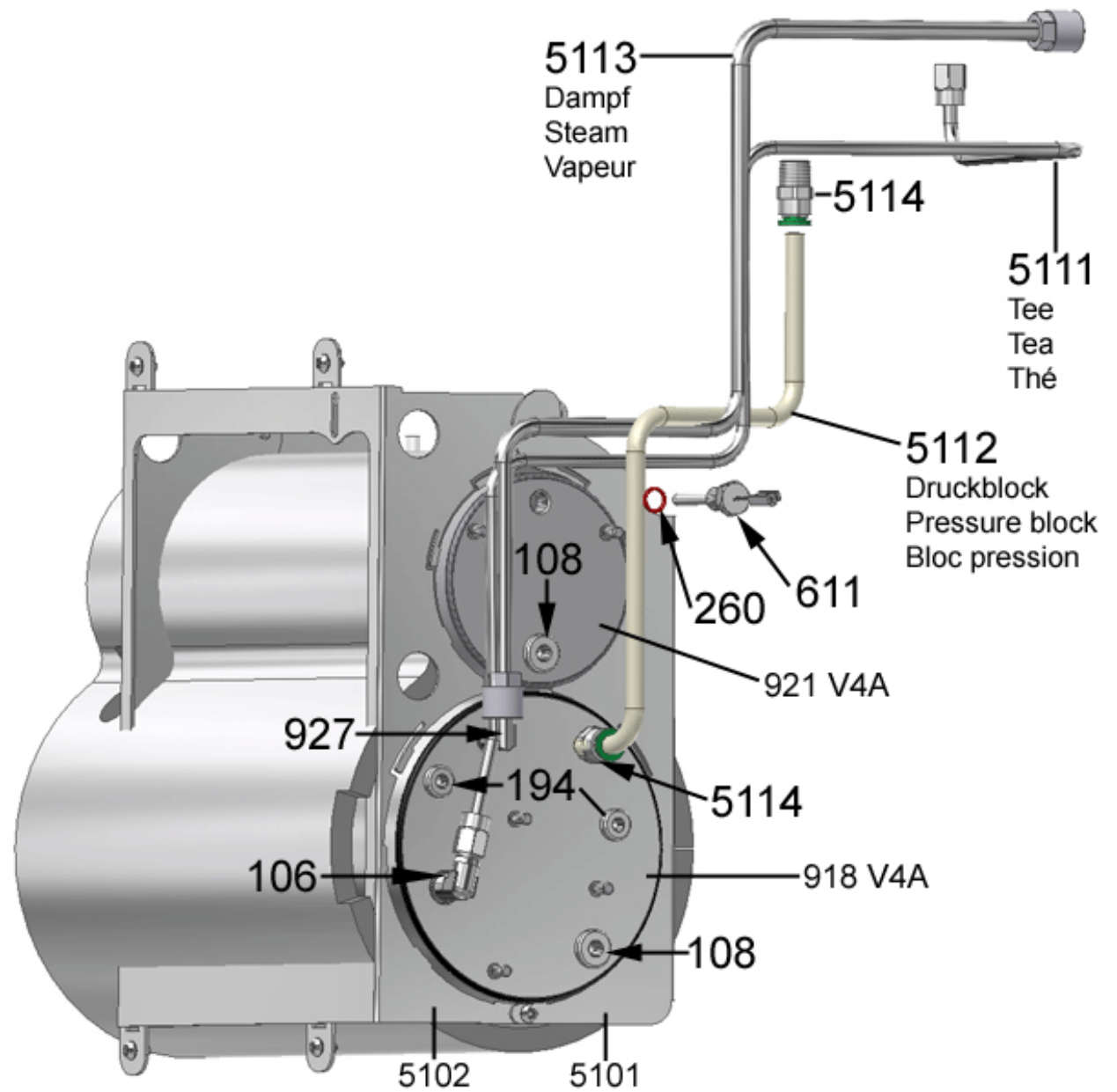
Sinfonia - Boiler hotwater Boiler Coffee

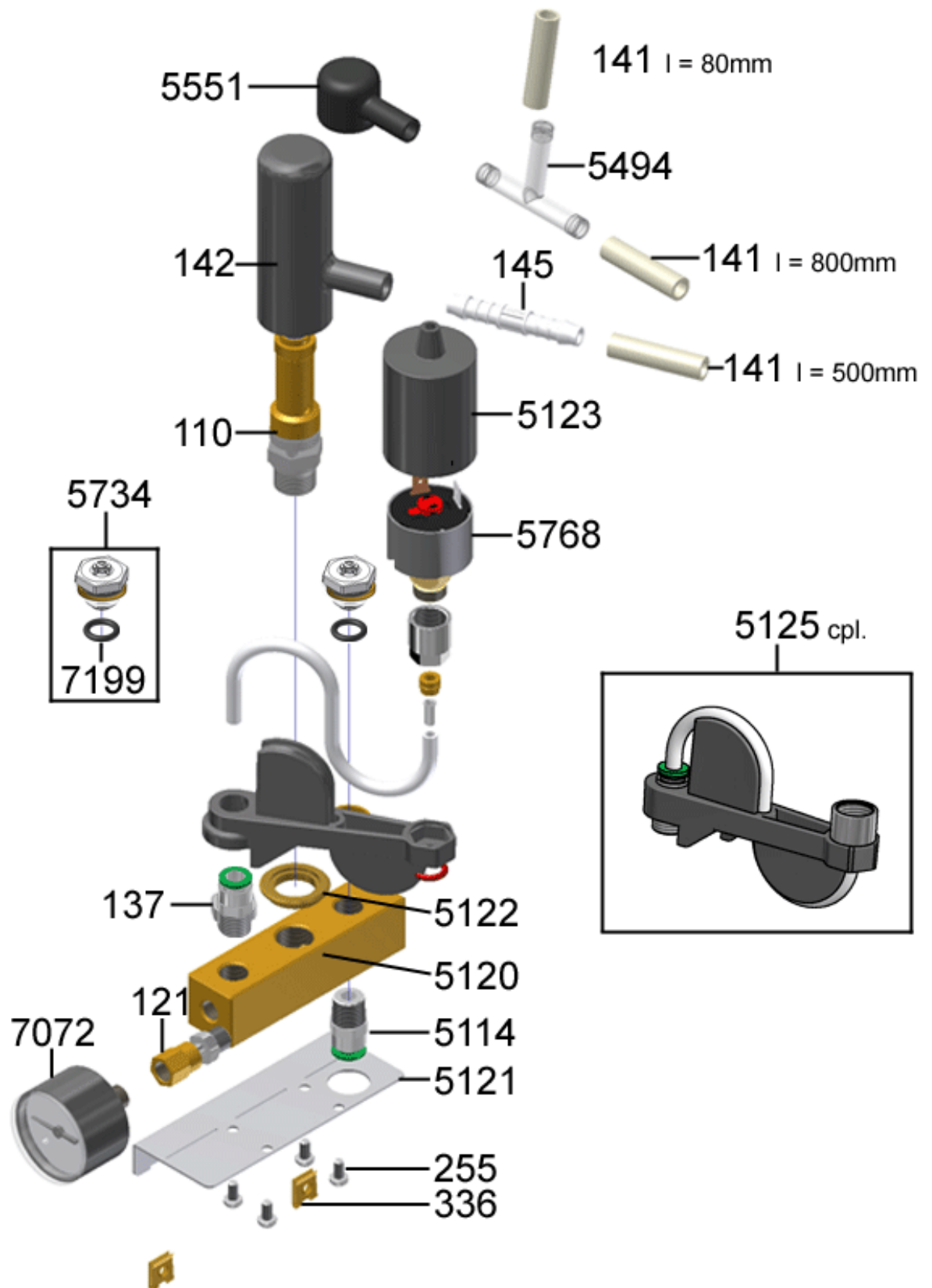


Sinfonia

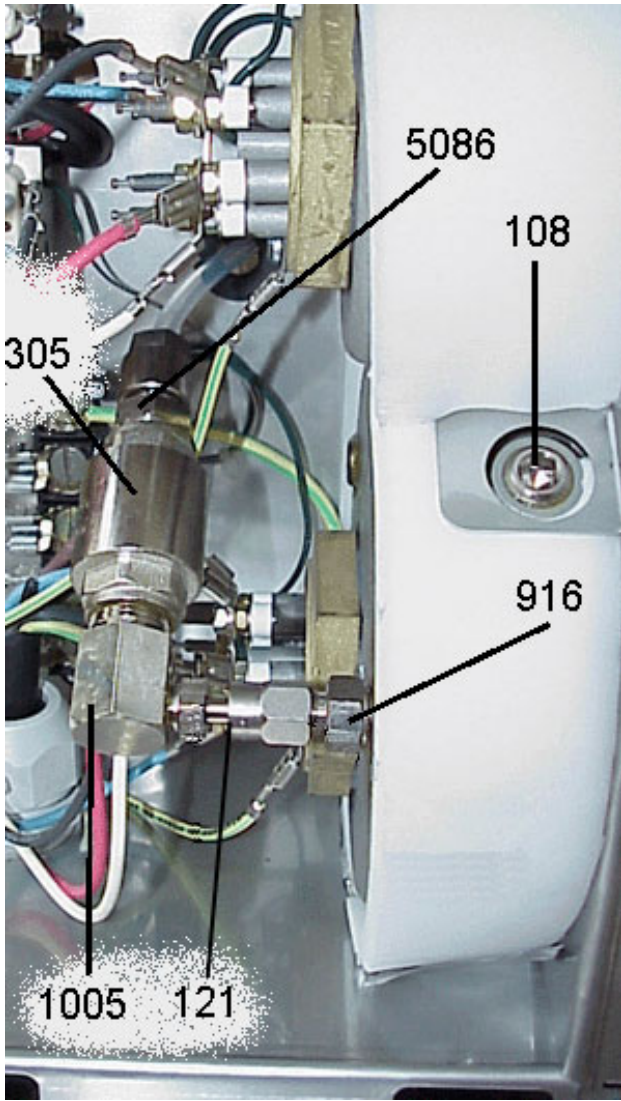


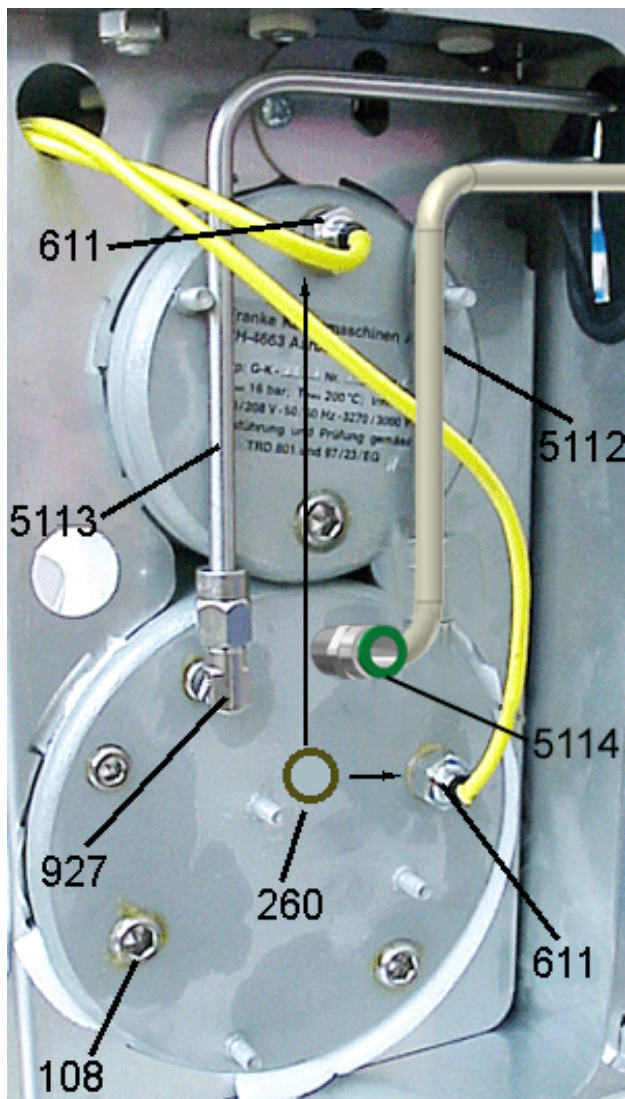
.....
 ab Seriennummer 00007197
 starting from serial number 00007197
 à partir d'un numéro de série 00007197





Gefüllter Teeboiler / Filled Tea Boiler / Boiler eau chaude remplis





Pos. ▲	Name	Art. No.
1005	Connecting Piece UL	1L 300 555
103	Pin guide 6,3mm	10 301 275
106	Angle	1T 310 829
108	Hexagon head pipe plug	1L 300 560
110	Safety valve SVWC-M 8-2.5 bar	1T 313 004
115	Fitting	1T 310 830
116	Locking ring	1T 310 823
117	Nut	1T 310 828
121	Adjusting nipple	1L 299 475
137	Fast coupling	1T 310 133
140	Hose teflon 6x4mm	1T 310 138
141	Hose silicone 10x1,5 mm	BK 300 450
142	Bush for pressure control valve	1T 310 928
145	Hose connection	1T 310 953
194	Locking screw	1L 300 688
255	Torque screw M4x8 mm	1T 310 040
260	Copper ring 40007-1/8, D= 13,4 4000	1L 296 946
305	Non return valve 3/8 B2-B3 VALSTOP	1L 297 002
330	Spiralstrip 6x4mm PE	BK 298 432
336	Clip M4	1T 310 016
5081	Straight union T SO	1Y 320 162
5086	Twin nipple 250M-D3/8K	1Y 320 159
5100	Boiler insulation	1Y 320 167
5101	Boiler retainer front	1Y 320 121

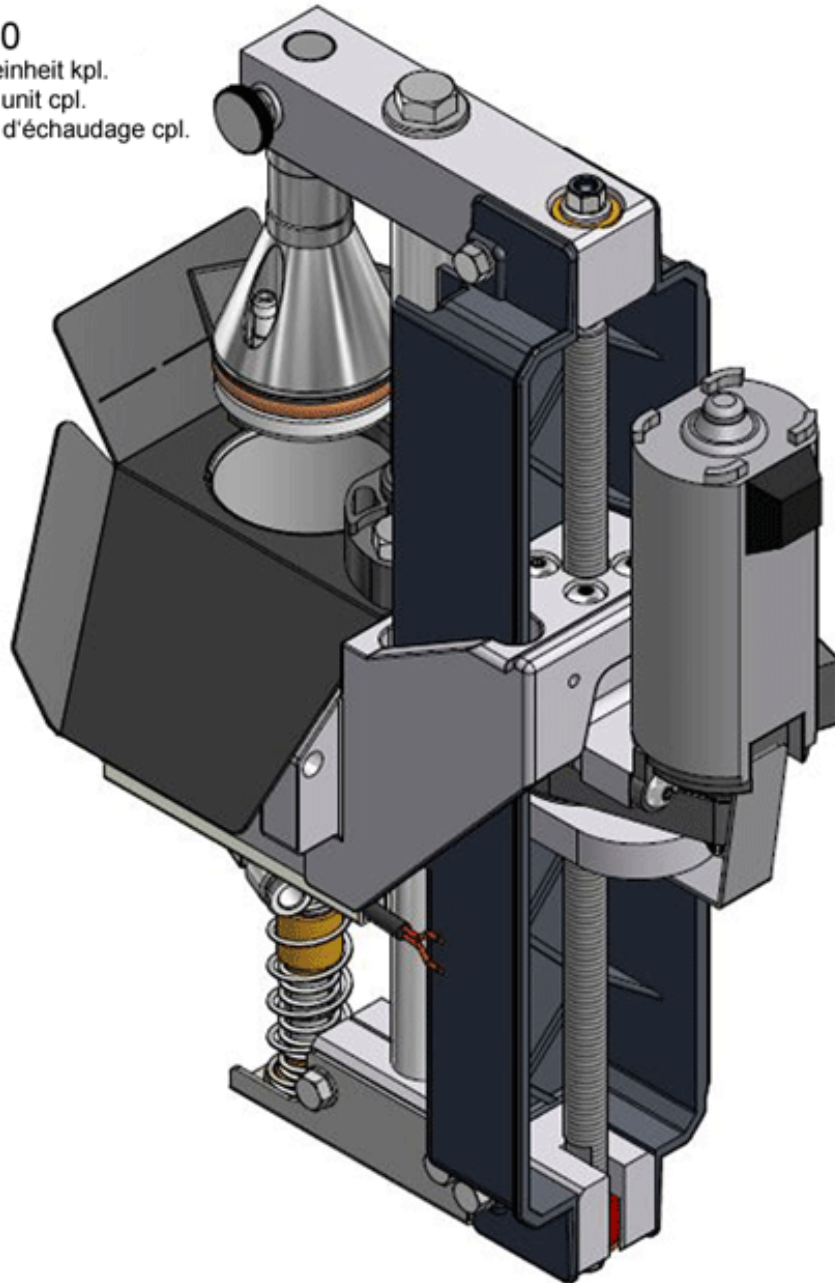
5102	Boiler retainer rear	1Y 320 120
5103	Elbow screw connection 8 mm	1Y 320 407
5111	Hot water pipe	1Y 320 194
5112	Steam block pipe	1Y 320 828
5113	Steam pipe 8/6mm	1Y 320 574
5114	Straight screw connection	1Y 320 827
5115	Cabel lomm Heating tea/steam	1Y 320 100
5116	Cable loom Heating coffee	1Y 320 101
5120	Pressure bloc	1Y 320 054
5121	Pressure block retainer	1Y 320 137
5122	Exess pressure disc valve	1Y 320 053
5123	Rubber hood	1Y 320 312
5125	Holder with Tube	BK 321 029
5494	T- connection	1Y 320 596
5551	Protection cap	1Y 321 075
5734	Vacuum valve cpl.	1T 311 952
5754	Level probe 75mm	BK 320 973
5768	Pressure switch	1Y 320 987
611	Temperature probe NTC	1T 310 409
615	Support bush SO 50003-6-4	1L 301 210
6203	Orifice 1.65	1H 325 563
7072	Manometer 6bar	1H 327 826
7199	O-Ring 9.19 x 2.62 Viton	1H 328 345
916	Screwed connection to nipple	1L 296 320
918	Boiler steam G V4A	1L 301 427
919	Capillary tube delimiter UL	10 300 321
921	Boiler Coffee G V4A	1L 301 187
922	Heating 3kW 3x230V AC	10 296 932
923	Heating tea water spec. 4500 W	10 296 933
927	Elbow	1H 325 299
958	Heating element UL/NSF 3kW/3x208V	10 300 505
959	Seal disk	1Y 320 632
960	O-ring 50.39x3.53	1Y 320 633

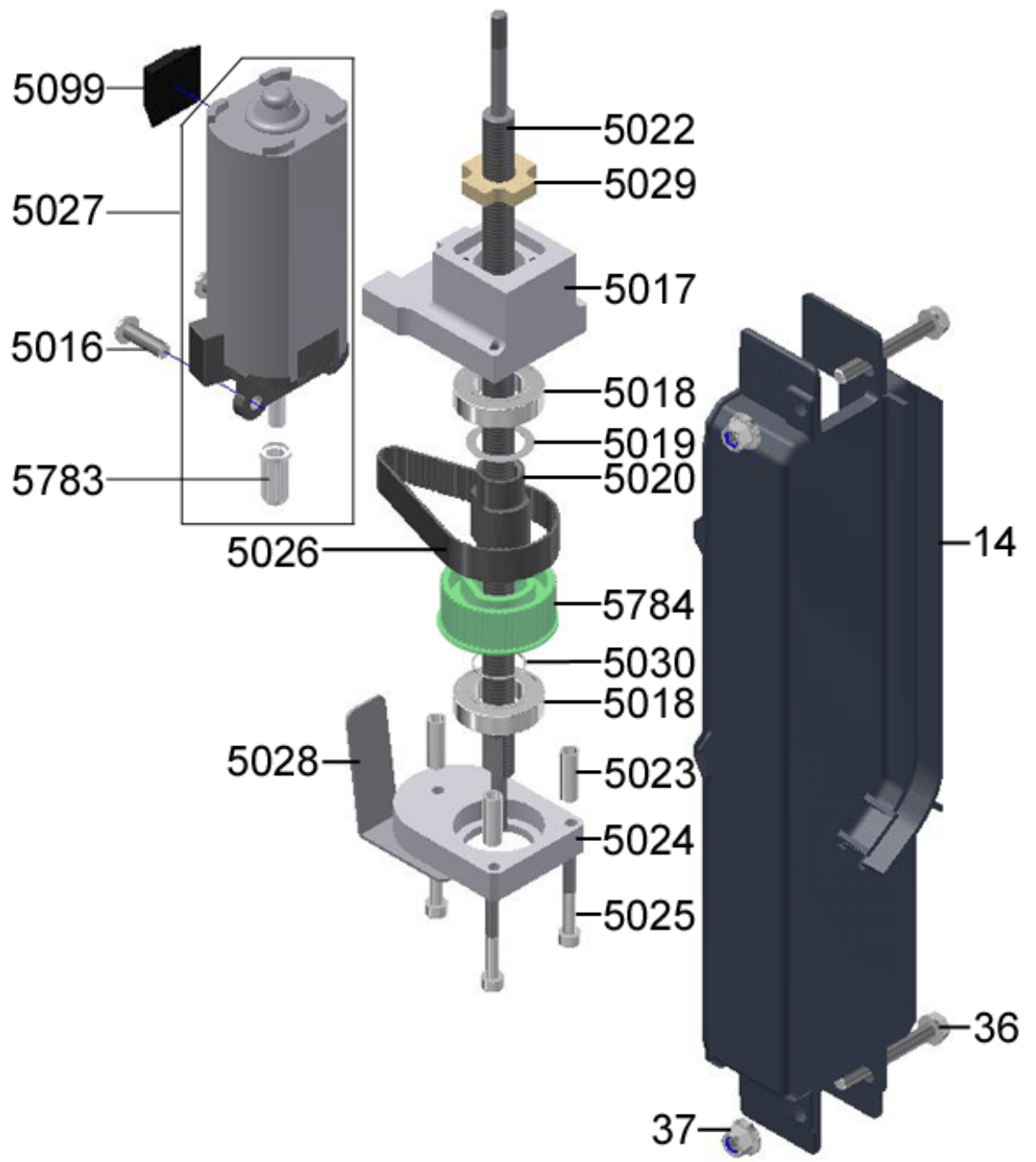
Sinfonia - Brew unit

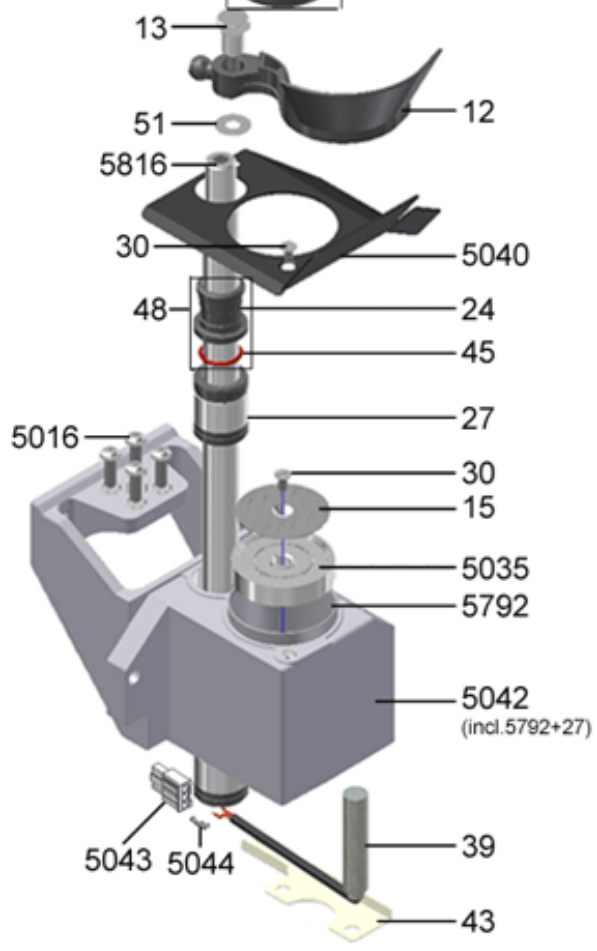
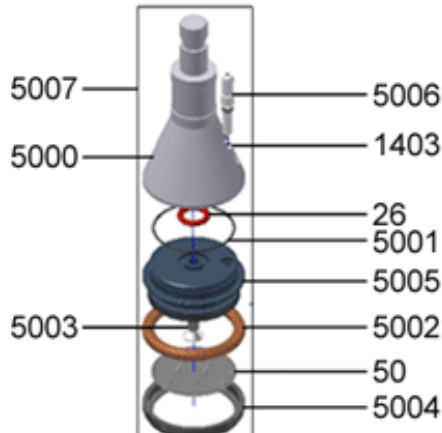
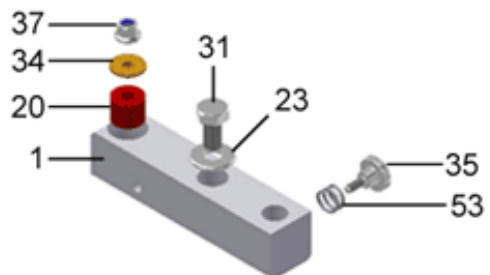


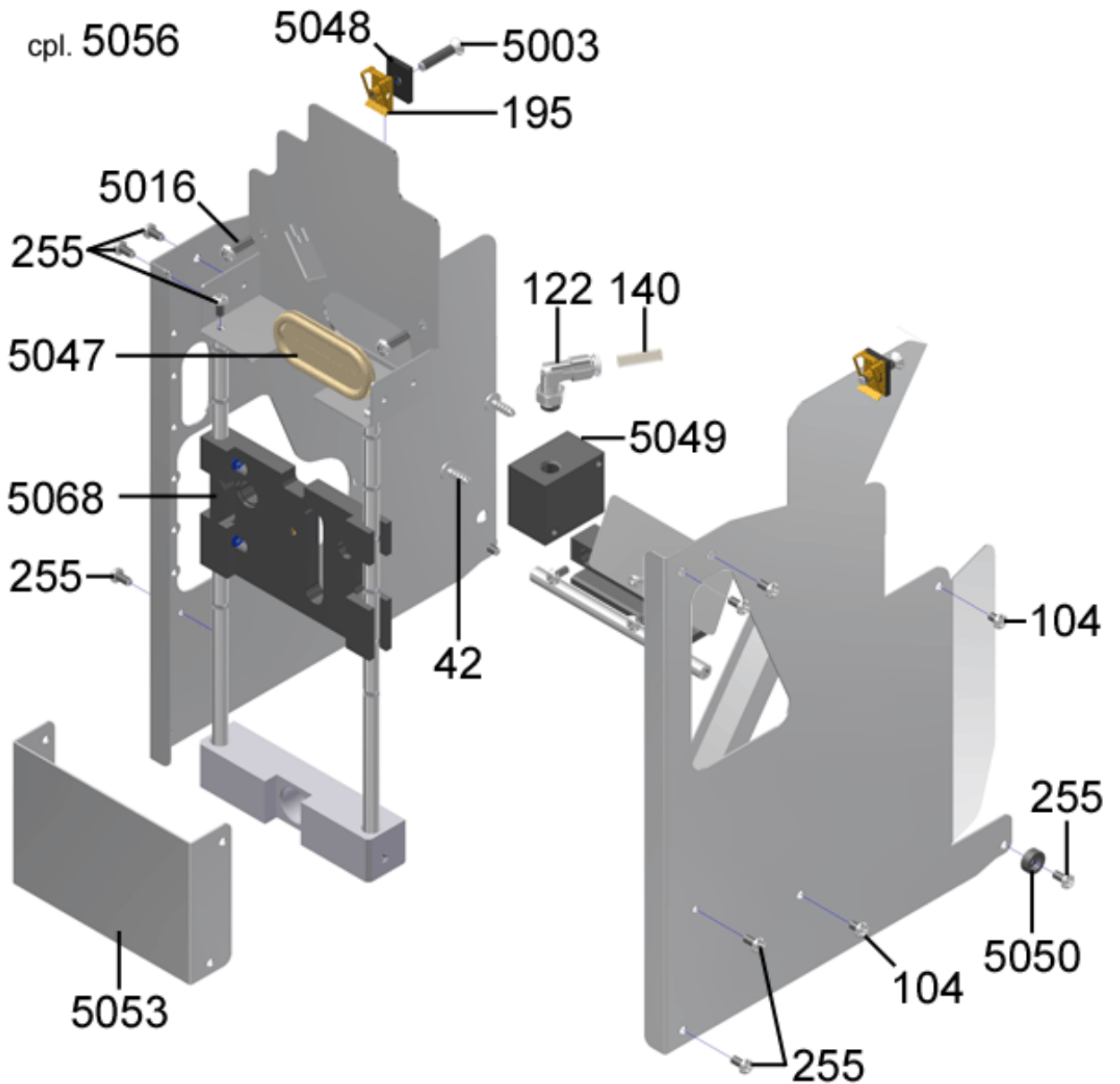
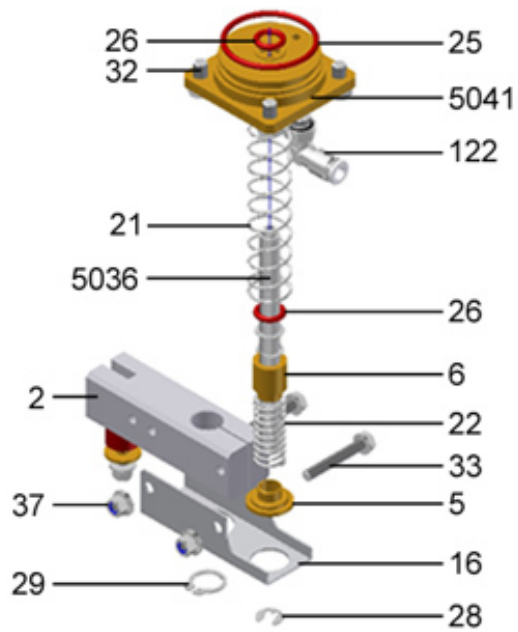
Sinfonia

5010
Brüheinheit kpl.
Brew unit cpl.
Unité d'échaudage cpl.









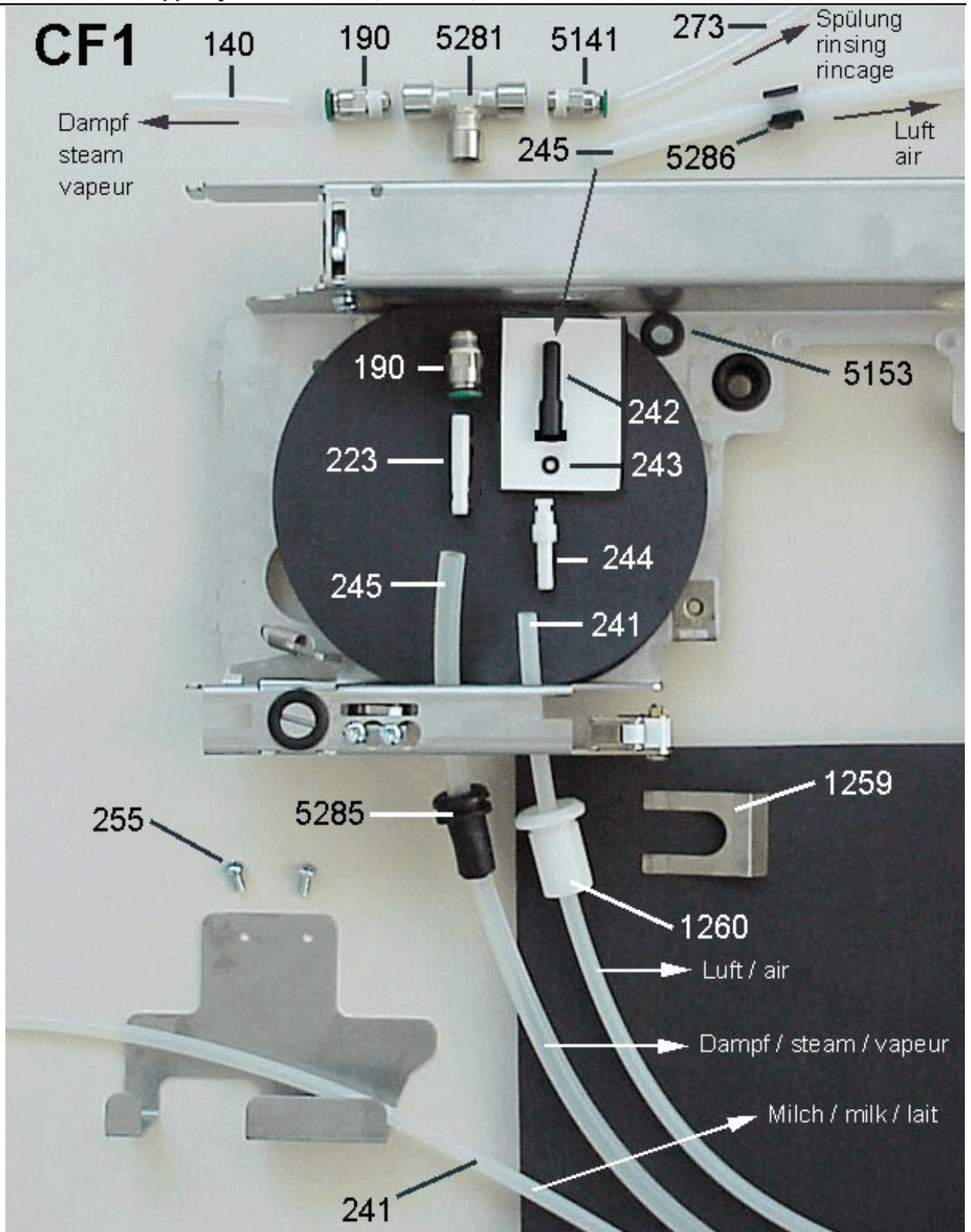
Pos. ▲	Name	Art. No.
1	Yoke upside	1T 310 276
104	Torque screw M4x6	1T 310 220
12	Ejector	1T 310 291
122	Plug-in coupling, rotating	1T 310 134
13	Bolt for ejector	1T 310 292
14	Guide mounting	1T 310 315
140	Hose teflon 6x4mm	1T 310 138
1403	O-Ring 4x1mm	1T 310 645
15	Water sieve	1T 310 295
16	Lower yoke bracket	1T 310 298
195	Nut C-Clip M5	1T 310 031
2	Yoke downside	1T 310 277
20	EFFBE Rubberspring	1T 310 316
21	Compression spring big	1T 310 287
22	Compression spring small	1T 310 286
23	Washer	1T 310 392
24	Sealing bush	1T 310 627
25	O-Ring ID 37,77x2,62	BK 310 155
255	Torque screw M4x8 mm	1T 310 040
26	O-Ring 9,19 x 2,62 silicone	1T 310 422
27	Ball thrust bearing	1T 310 303
28	Security washer d=6mm	1T 310 393
29	Circlip ring	1T 310 394
30	Countersunk screw A2 M 4x8	1L 300 671
31	Hexagon head screw M8x16	02 222 240
32	Hexagon head screw M6x12	02 222 223
33	Mushroom head screw PanHead	1T 310 395
34	Washer	1T 310 396
35	Knurled heas screw flat	1T 310 397
36	Mushroom head screw PanHead M5x40	02 221 774
37	Locking nut M5 BN6783	1T 310 398
39	Brew head heater PTC	1T 310 007
42	Torx screw	1T 310 401
43	Cable guide plate for brewing unit	1T 310 417
45	O-Ring 15,6 x 1,78 mm	1T 310 648
48	sealing kit for guide shaft	BK 310 685
5	Spring support large	1T 310 280
50	Sieve upper piston	1T 310 233
5000	Outlet piston	1Y 320 007
5001	O-Ring D=34x1mm	1T 310 684
5002	O-Ring 34.29x5.33	1Y 320 050
5003	int. hex. M5x25mm Countersunk head	1Y 320 168
5004	Clamp ring for outlet piston	1Y 320 009
5005	Piston insert	1Y 320 000
5006	Connection nipple	1Y 320 008
5007	Piston cpl .Sinfonia	BK 320 450
5010	Brew unit Sinfonia	BK 320 249
5016	internal hex. Pan head screw with	1Y 320 083
5017	Housing	1Y 320 015
5018	Ball bearing 6902 2RS	1Y 320 021
5019	Shim washer 15x21x0.2mm	1Y 320 085
5020	Trapezoid thread bushing	1Y 320 018
5022	Threaded spindle for gear	1Y 320 006
5023	Spacer sleeve D=6x1.4x17	1Y 320 082
5024	Cover	1Y 320 019
5025	int. hex. M4x35mm Cheesehead screw	1Y 320 169
5026	Toothed belt Powergrip	1Y 320 020

5027	D.c. motor with gearwheel	1Y 320 948
5028	Guard plate	1Y 320 342
5029	Lubrication Felt for Brew unit	1Y 320 521
5030	Corrugated spring washer	1Y 320 481
5035	Ejector piston	1Y 320 005
5036	Ejector spindle	1Y 320 002
5040	Grounds ejector plate	1Y 320 135
5041	Cover	1Y 320 004
5042	Brewing housing complete	BK 320 356
5043	Mini-Fit connector 3-pin	1Y 320 195
5044	contact female small Mini-Fit conne	1Y 320 197
5047	Cable bush	1Y 320 122
5048	Insulation mat	1Y 320 155
5049	Adapter connector	1Y 320 116
5050	Sliding sleeve	1Y 320 154
5053	Outlet cover	1Y 320 041
5056	Brewing unit insert, Sinfonia	BK 320 385
5068	Slide element	1Y 320 114
5099	Bumpon 3M SJ-5023 black	1Y 321 086
51	Distance washer to ejector	1T 310 480
53	Compression spring	1Y 320 644
5783	Small gear wheel 2MR 14S12	1Y 320 017
5784	Large gear wheel	1Y 321 083
5792	Bushing D=45mm	1Y 320 003
5816	Guide rod	1T 312 971
6	Spring support small	1T 310 281

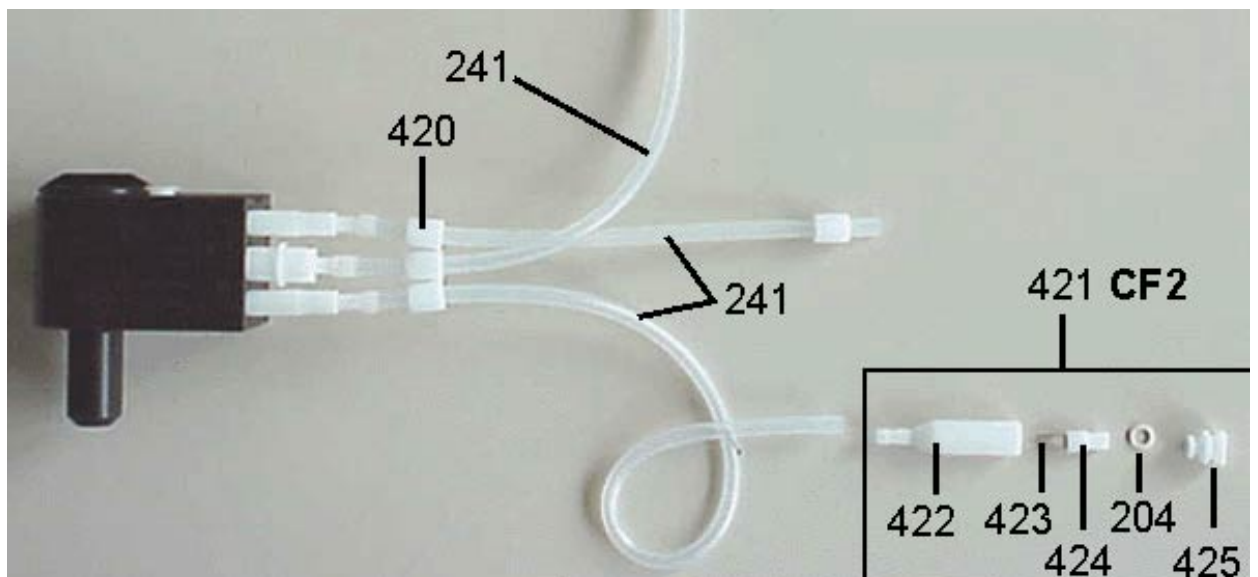
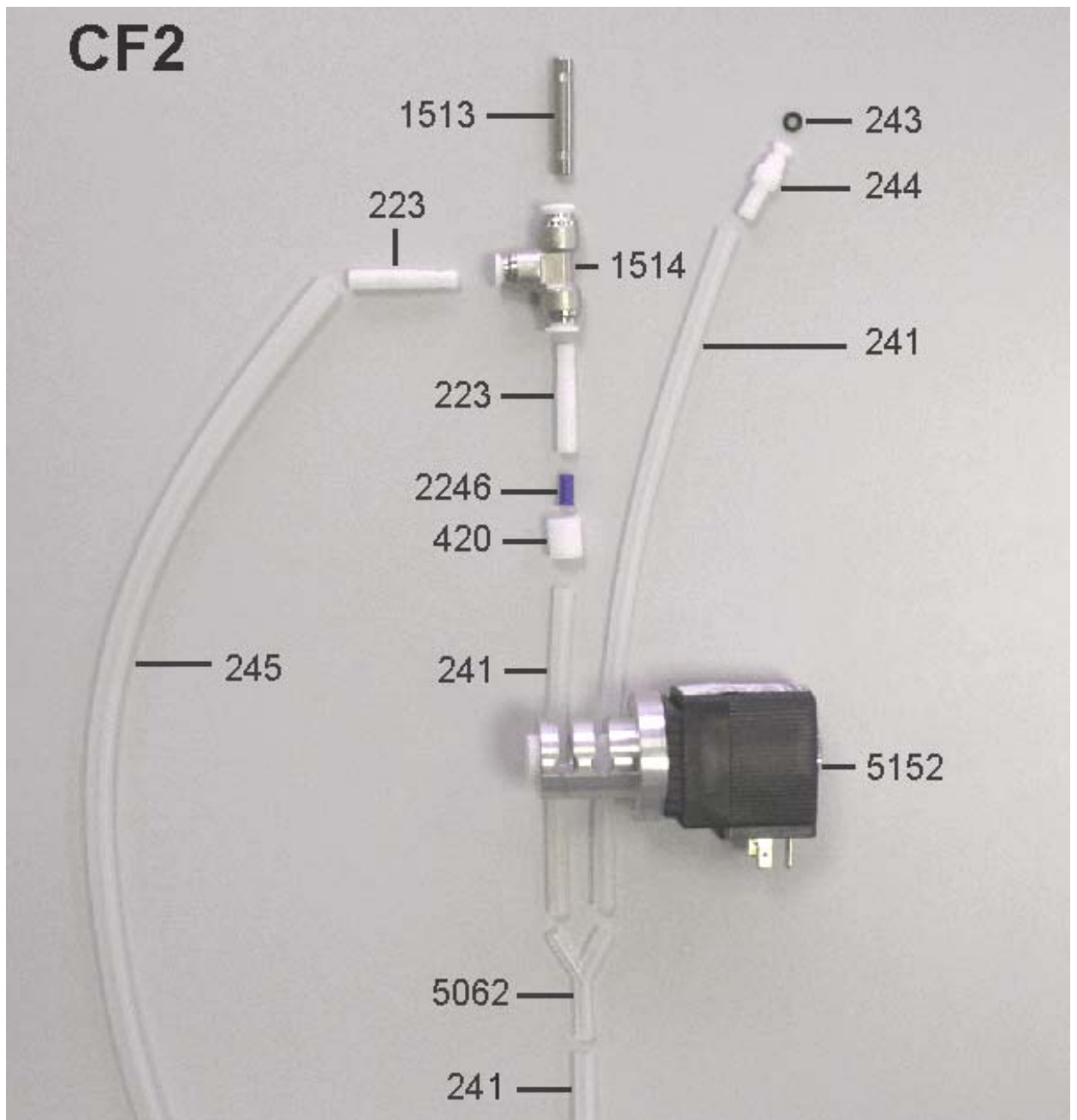
Sinfonia - Cappu-systems CJ1/CJ2; CT1/CT2; CF1/CF2



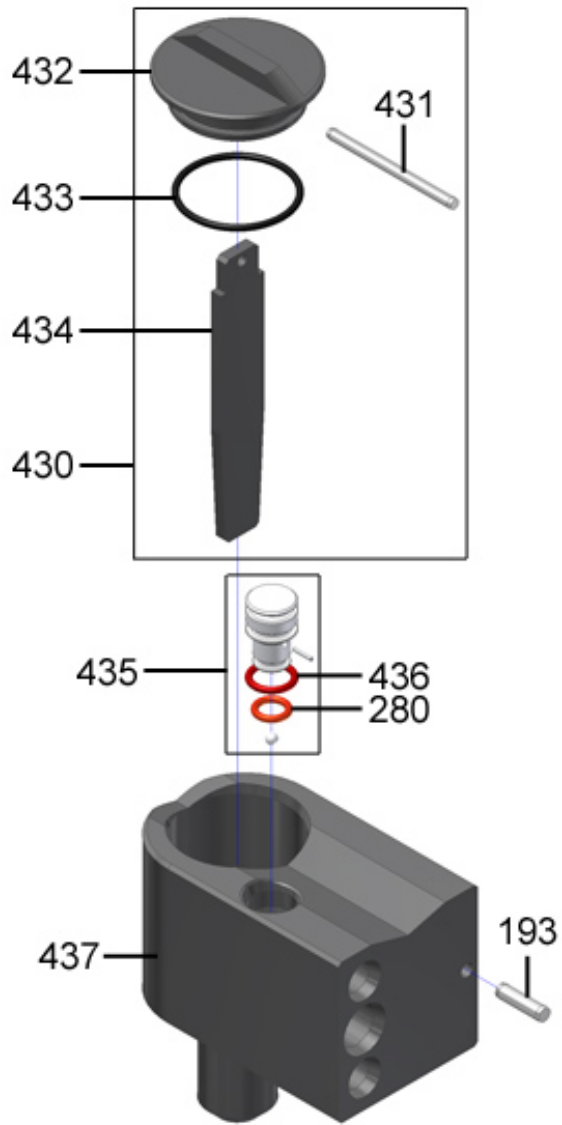
Sinfonia



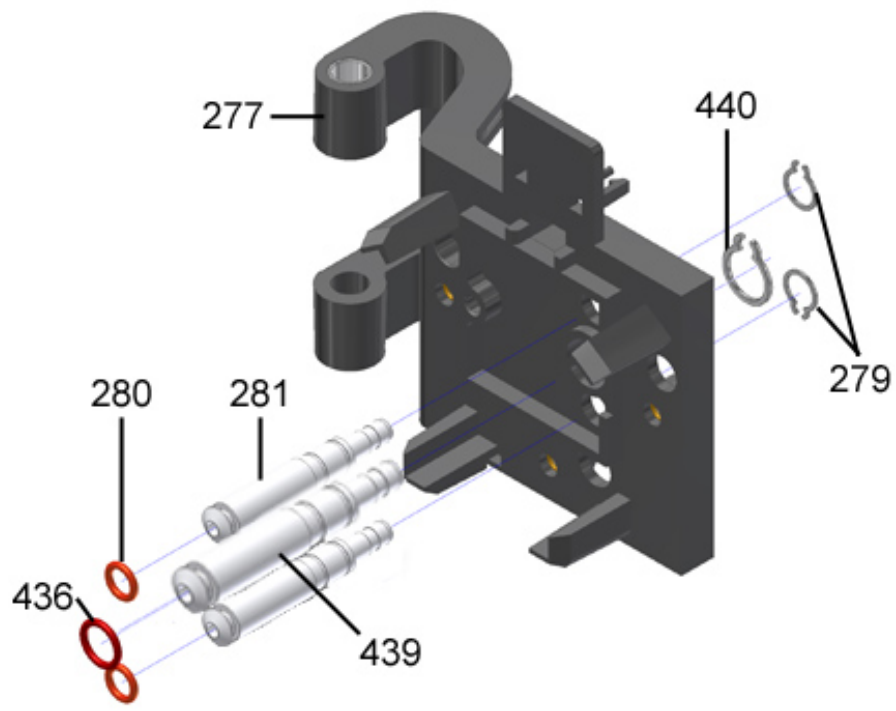
CF2



CF1 / CF2 / CF

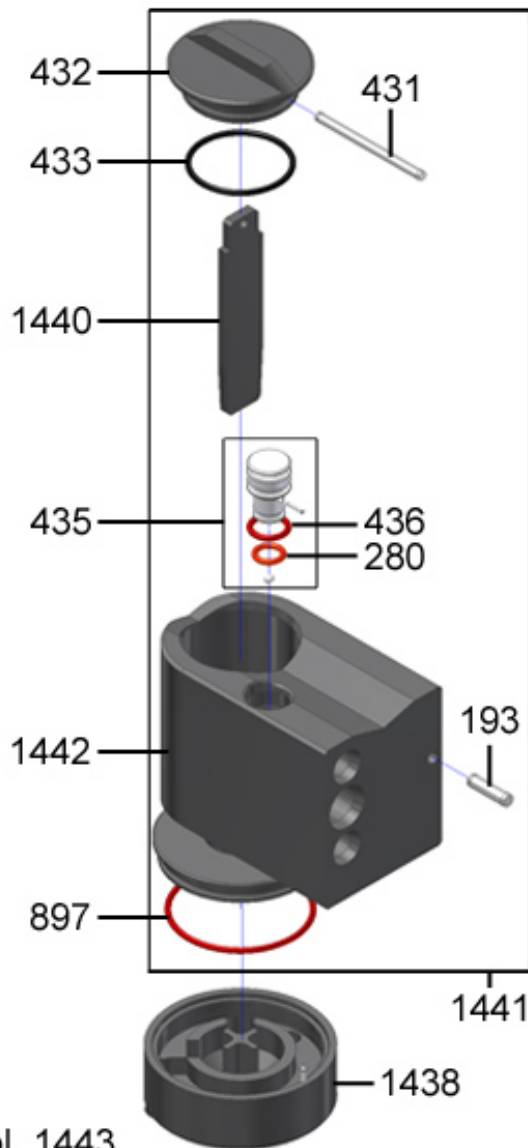


cpl. 429



Doppelauslauf / Double Outlet / Ecoulement Double

CF1 / CF2 / CF



cpl. 1443

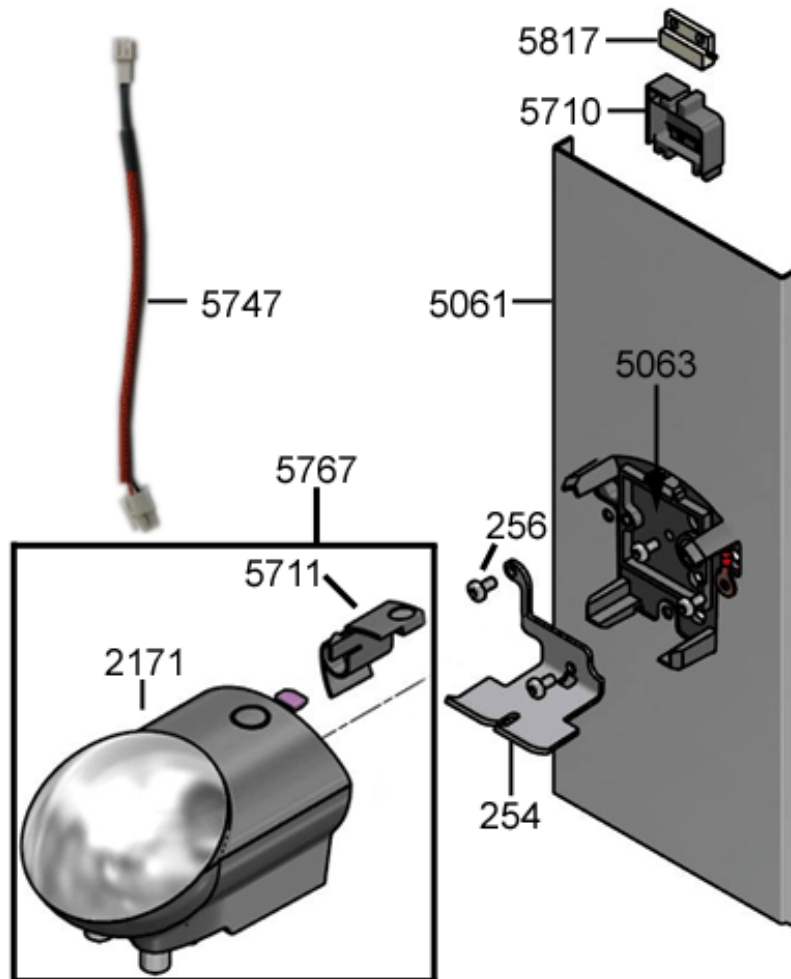
Pos. ▲	Name	Art. No.
1259	Clip for tube guiding	1L 301 391
1260	Tube guiding short to Ecolino Lengt	1L 301 387
140	Hose teflon 6x4mm	1T 310 138
1438	Bottom for double outlet Cappuccina	1T 311 036
1440	Short guide to double outlet	1T 311 047
1441	CF foamer head to double outlet	BK 311 049
1442	Cappuhousing	1T 311 046
1443	CF foamer head with double outlet	BK 311 048
1513	Double push in nippel	1L 301 419
1514	T-connection d=6mm	1L 301 418
190	Plug-in coupling	1T 310 132
193	Bolt	1T 310 107
204	O-ring d=5.5x1.5 mm	1L 296 308
223	Connection	1T 310 190
2246	Orifice 0.4mm for hose 4mm blue	1Y 320 536
241	Silicone hose ID= 3 mm	1L 296 485
242	Connection piece to milk solution C	1L 301 627
243	O-Ring to air nozzle	1L 301 437
244	air nozzle for CT2	1L 301 409
245	Silicone hose ID 8 x 4 mm	1L 300 136
255	Torque screw M4x8 mm	1T 310 040

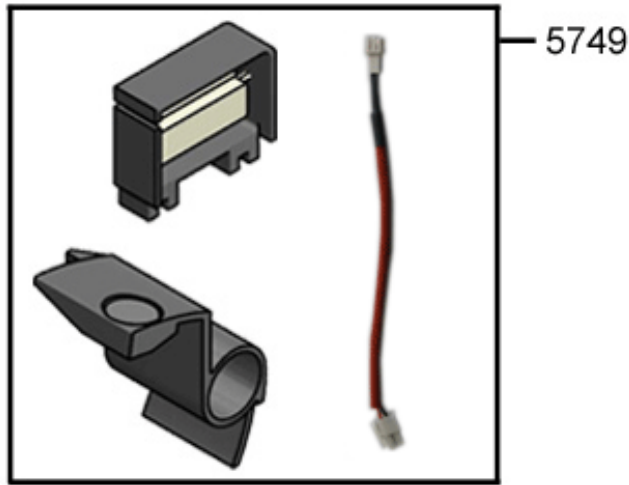
273	Teflon hose D4x2mm	1L 296 337
277	Sledge to outlet	1L 301 009
279	Circlip Ø8mm	1L 301 008
280	O-Ring 6.07x1.78 to outlet	1L 301 007
281	Coupling half to outlet	1L 301 010
420	Clamp bushing to Milksystem	1T 310 705
421	Flow control valve	BK 310 958
422	Housing to valve	1T 310 957
423	Spring to Milksystem	1T 310 644
424	Valve body	1T 310 956
425	Nozzle to valve	1T 310 955
429	CF foamer head compl.	BK 311 057
430	Cappu cover compl. Milch 2000	1T 310 625
431	Pin D=3x40mm	1T 310 707
432	Cappu cover Milch 2000	1T 310 691
433	O-Ring 26.7x1.78mm	1T 310 646
434	Guide to Cappu cover	1T 310 690
435	Nozzle to Milksystem	1T 310 624
436	O-Ring D=8,73x1,78	BK 310 192
437	Housing Cappuccinatore Milch 2000	1T 310 626
439	Coupling	1T 310 621
440	Circlip Ø12mm	1L 301 531
5062	Y distributor	1T 310 489
5141	Push-in coupling	1Y 320 087
5152	Squeezed tube valve 24V DC	1Y 320 211
5153	Feedthrough grommer DA 80/100/15	10 300 394
5281	T-piece 200M-1/8	1Y 320 095
5285	Type 561 tension relief	1Y 320 310
5286	Simple tube-clip 10 mm	1L 296 526
897	O-Ring 37,82x1,78	1L 301 433

Sinfonia - Coffee outlet

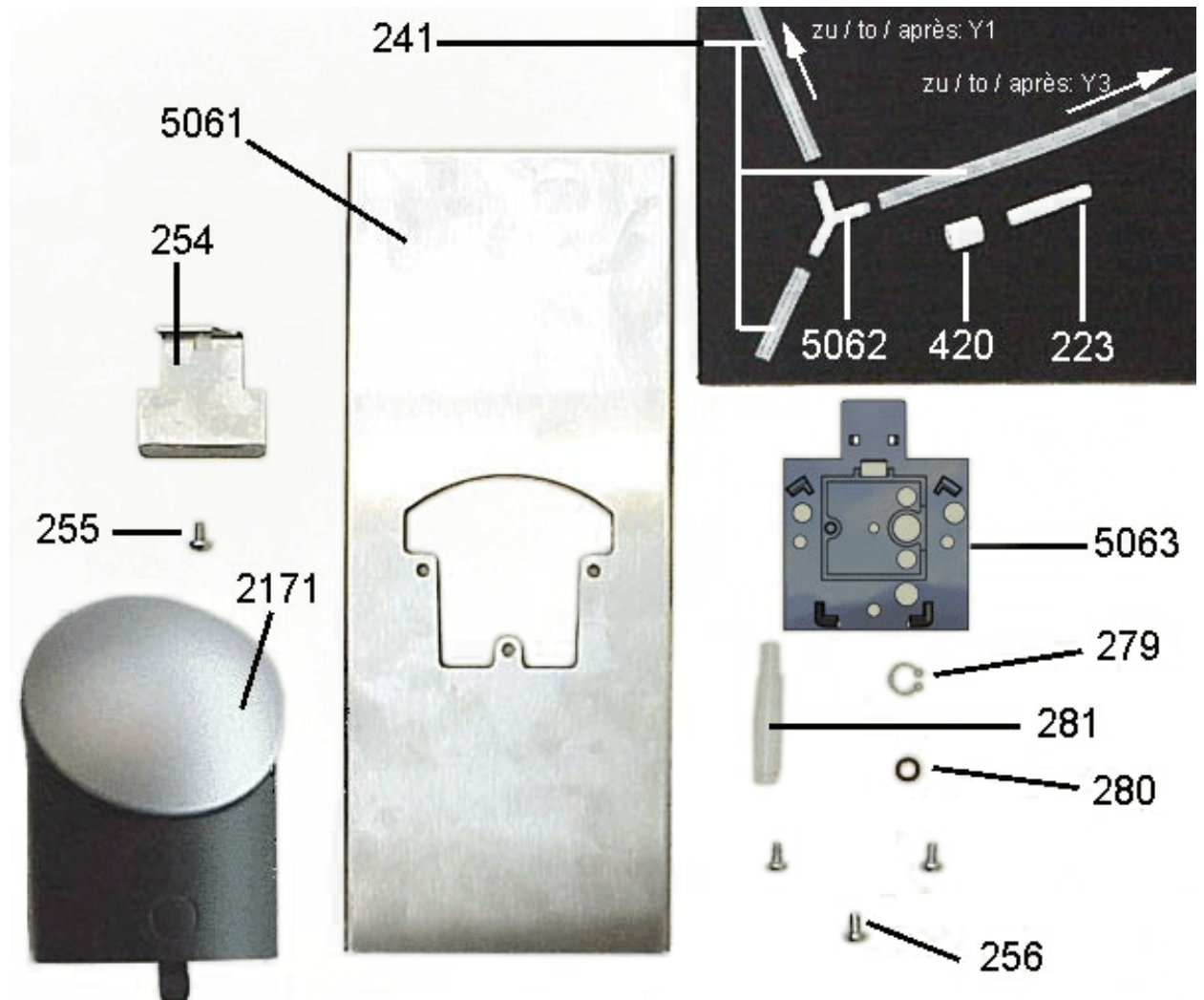
Sinfonia

.....
ab Seriennummer 00007016
starting from serial number 00007016
à partir d'un numéro de série 00007016
.....





.....
 bis Seriennummer 00007015
 up to serial number 00007015
 jusqu'au numéro de série 00007015

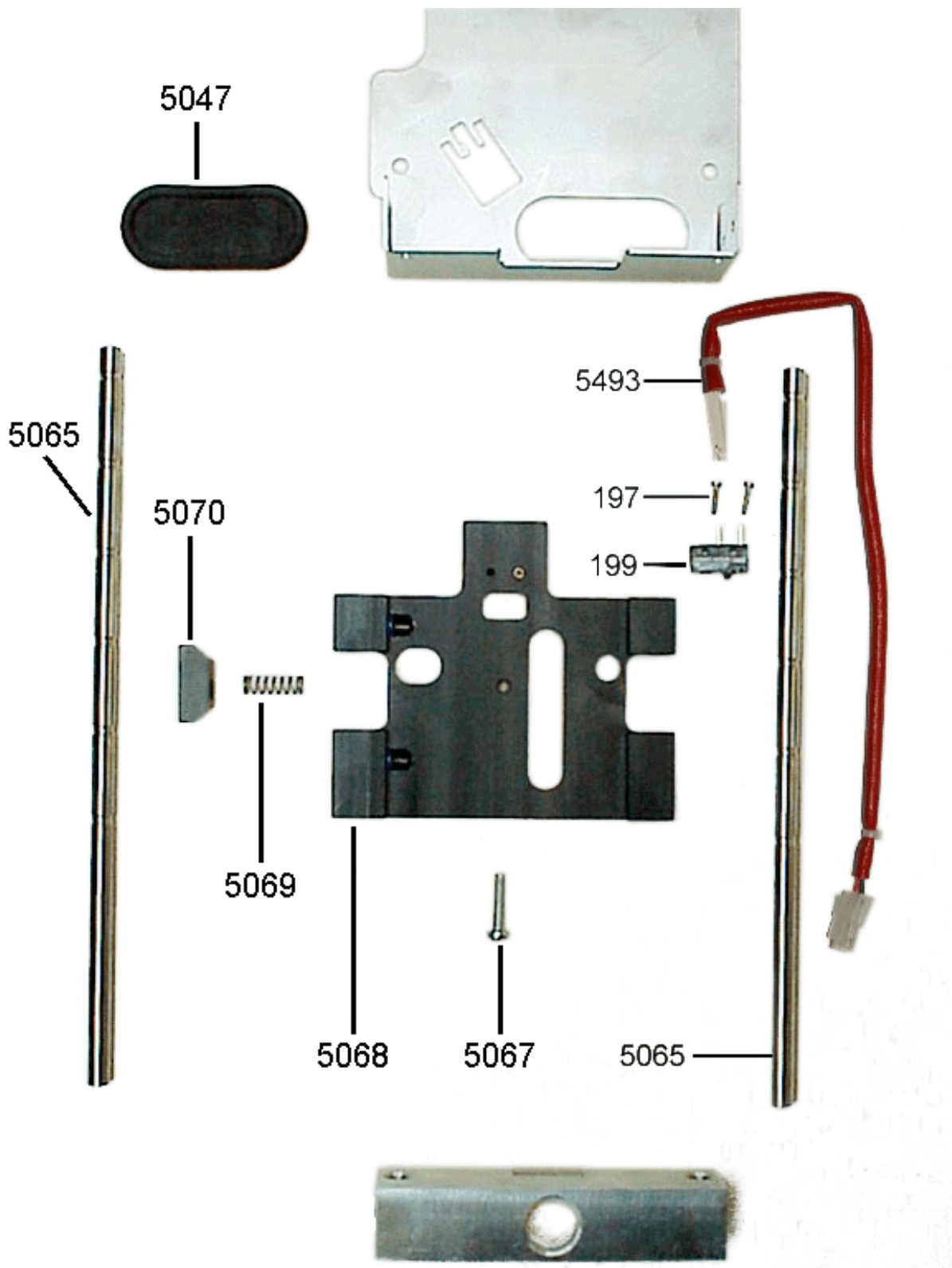


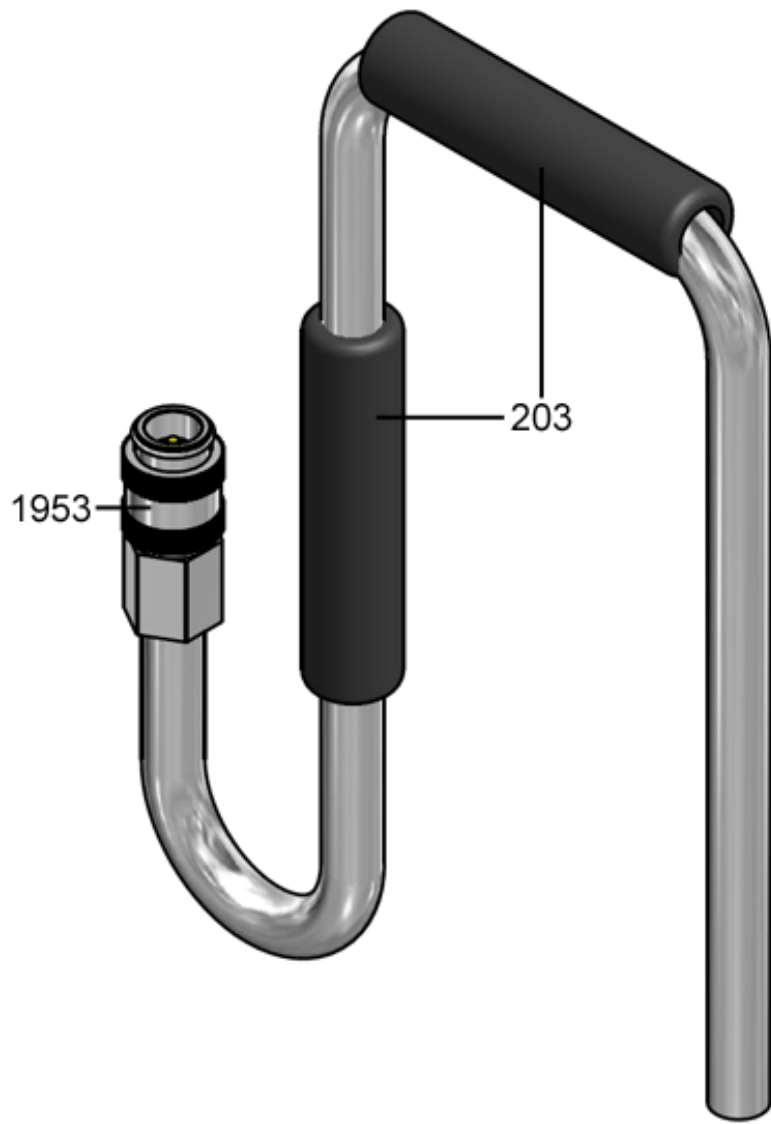


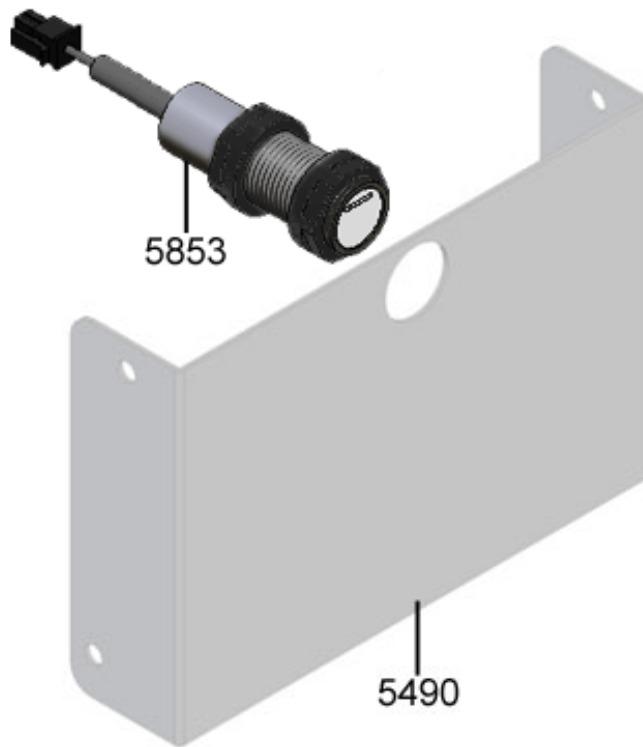
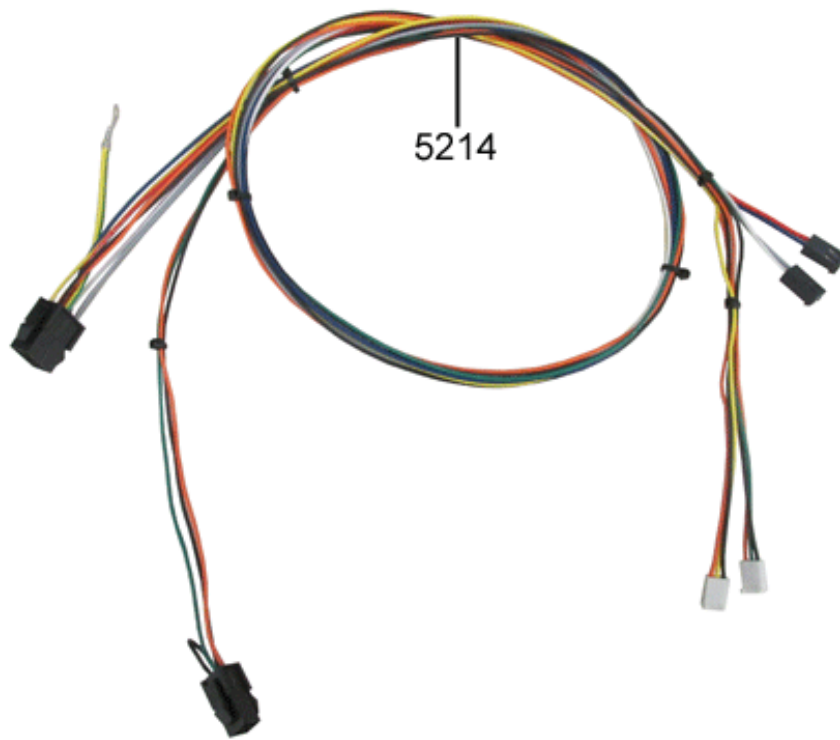
2171



5451







Pos. ▲	Name	Art. No.
1953	Plug-in coupling 9214.21.10	1L 301 225
197	Screw M2x10mm	1L 301 025
199	Microswitch Cherry	10 301 011
203	Handle	1T 310 217
2171	Coffee outlet	1Y 320 447
223	Connection	1T 310 190
241	Silicone hose ID= 3 mm	1L 296 485
254	Clamp to outlet G	1L 301 029
255	Torque screw M4x8 mm	1T 310 040

256	Torque screw M4x10mm	1Y 320 284
279	Circlip Ø8mm	1L 301 008
280	O-Ring 6.07x1.78 to outlet	1L 301 007
281	Coupling half to outlet	1L 301 010
420	Clamp bushing to Milksystem	1T 310 705
5047	Cable bush	1Y 320 122
5061	Cover plate	1Y 320 038
5062	Y distributor	1T 310 489
5063	Slide rework	1Y 320 115
5065	Guide rod left/right	1Y 320 113
5067	Pan head screw M4x20mm	1Y 320 285
5068	Slide element	1Y 320 114
5069	slide element Compression spring fo	1Y 320 198
5070	Brake for slide	1Y 320 190
5214	Cable loom milk machine	1Y 320 924
5451	Cover to outlet gold	1Y 320 445
5490	Outlet cover cup monitoring	1Y 320 675
5493	Outlet switch cable	BK 320 684
5710	Support reed contact	1T 312 080
5711	Support magnet cpl.	1T 312 079
5747	Cable to REED outlet switch	1Y 320 900
5749	Reedcontact to outlet	BK 320 928
5767	Outlet with magnet	BK 321 079
5817	Reed sensor	1T 312 961
5853	Cup sensor	1T 313 023

Sinfonia - Cover



Sinfonia



Silber
silver
argent



Anthrazit
anthracite
anthracite

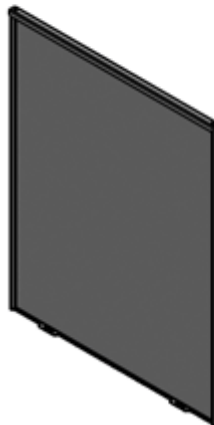





Schwarz
black
noir



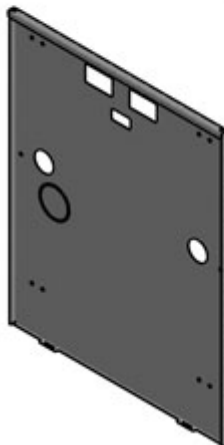
Schwarz/Gold
black/gold
noir / or




Seitenwand links/rechts
Side panel left/right
Panneau latéral gauche/droit



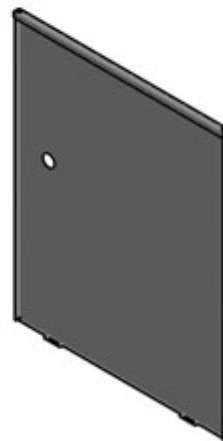
-  5464
-  5381
-  5460



Seitenwand links/rechts gelocht
Side panel left/right perforated
Panneau latéral gauche/droit percé



-  5071
-  5072
-  5073

Seitenwand links CF2
Side panel left CF2
Panneau latéral gauche CF2

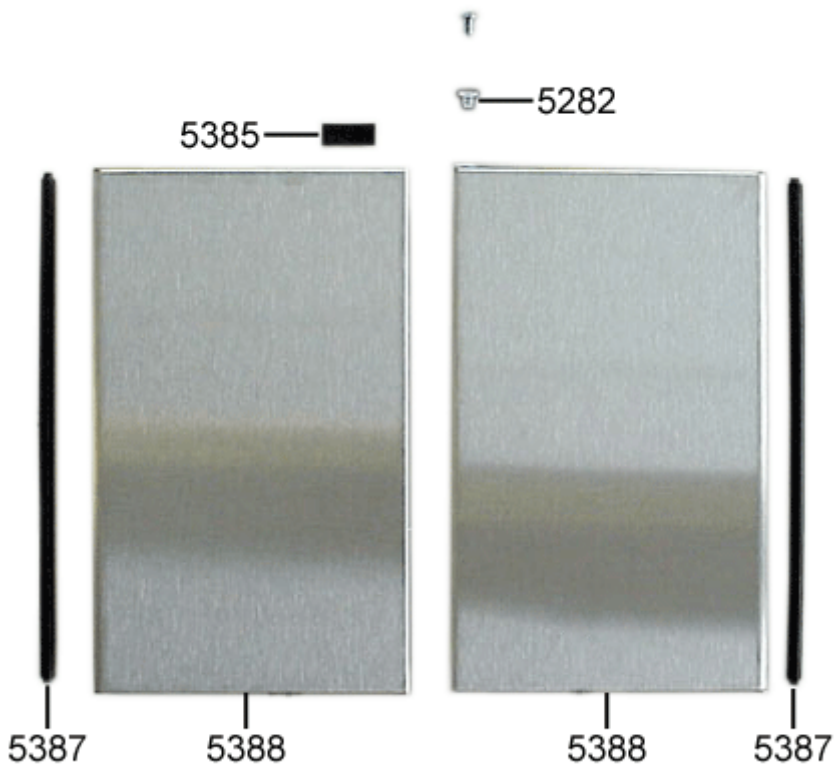


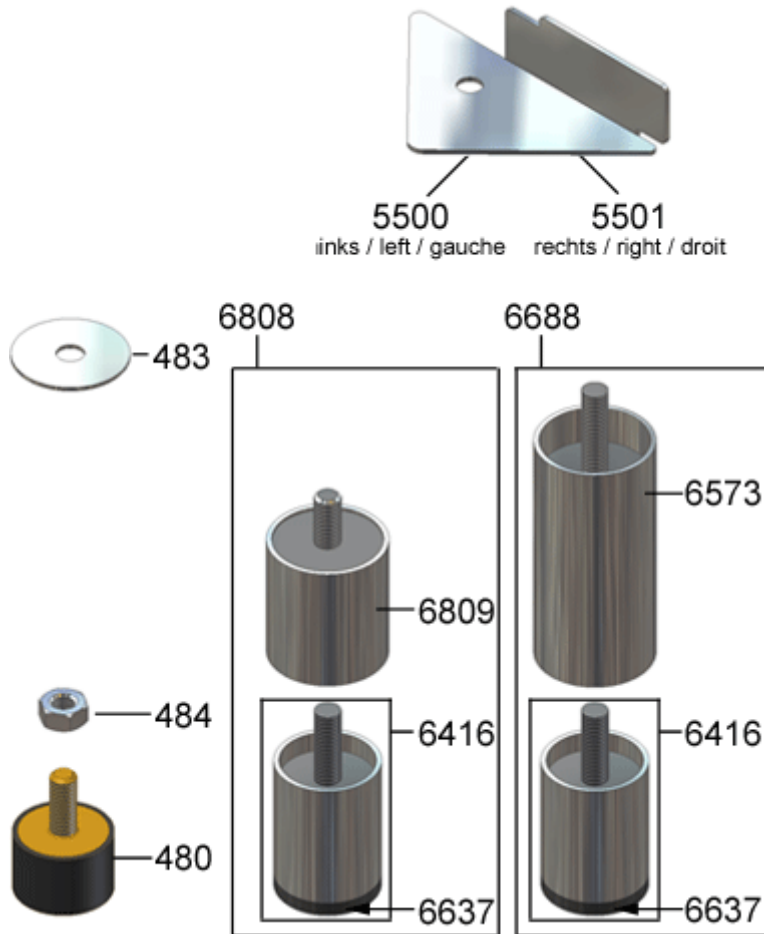
-  5075
-  5076

Rückwand
Rear panel
Panneau arrière



- 5463
- 5383
- 5461





Pos. ▲	Name	Art. No.
480	Foot 30mm	1T 310 199
483	Washer	1L 300 372
484	Hex. nut M8	02 224 005
5071	Side panel le/ri w/hole silver	1Y 321 035
5072	Side panel le/ri w/hole anthracite	1Y 321 036
5073	Side panel le/ri w/hole black	1Y 321 037
5075	Side panel left CF2 silver	1Y 321 040
5076	Side panel left CF2 anthracite	1Y 321 041
5235	Cup frame	1Y 320 046
5236	Cup frame adapter	1Y 320 047
5282	Push-in plug 8 x 8.5	1Y 320 156
5381	metallised anthracite Side panel le	1Y 320 126
5383	with Franke-Logo Rear panel anthrac	1Y 320 186
5385	Vitoflex NW 152 12x3mm black	1T 310 201
5387	Link	1Y 320 166
5388	Door left/right	1Y 320 084
5460	Side panel left/right black without	1Y 320 446
5461	Rear panel black with Franke logo	1Y 320 260
5463	Back wall silver with Franke logo	1Y 320 417
5464	Side wall silver	1Y 320 416
5500	Reinforcement plate left	1Y 320 387
5501	Reinforcement plate right	1Y 320 388
6416	Foot 40mm	1H 326 056
6573	Screw sleeve foot 100mm	1H 326 057
6637	rubber foot	BK 326 484
6688	Foot cpl.	1N 330 514
6808	Foot 70mm adjustable	BK 326 770
6809	Screw sleeve to foot 70mm	1H 326 769

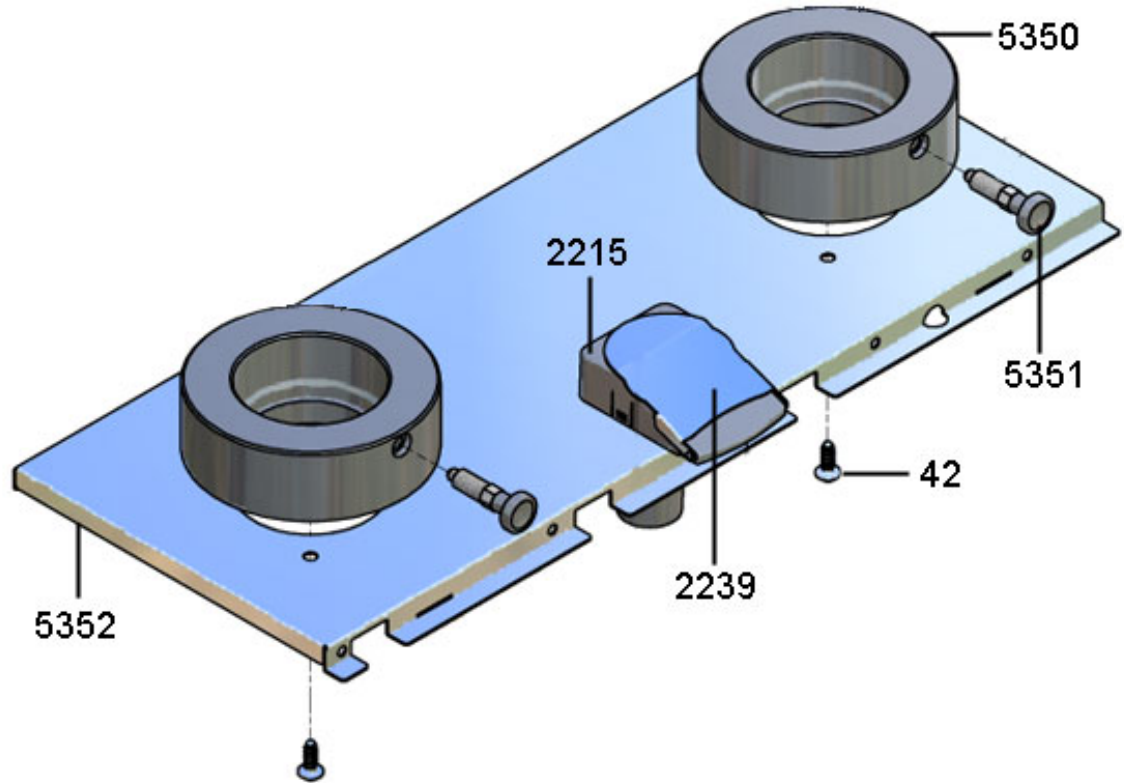
Sinfonia - Beancontainer / shield / cup support

For further information see under chapter Sinfonia



Sinfonia

Version USA



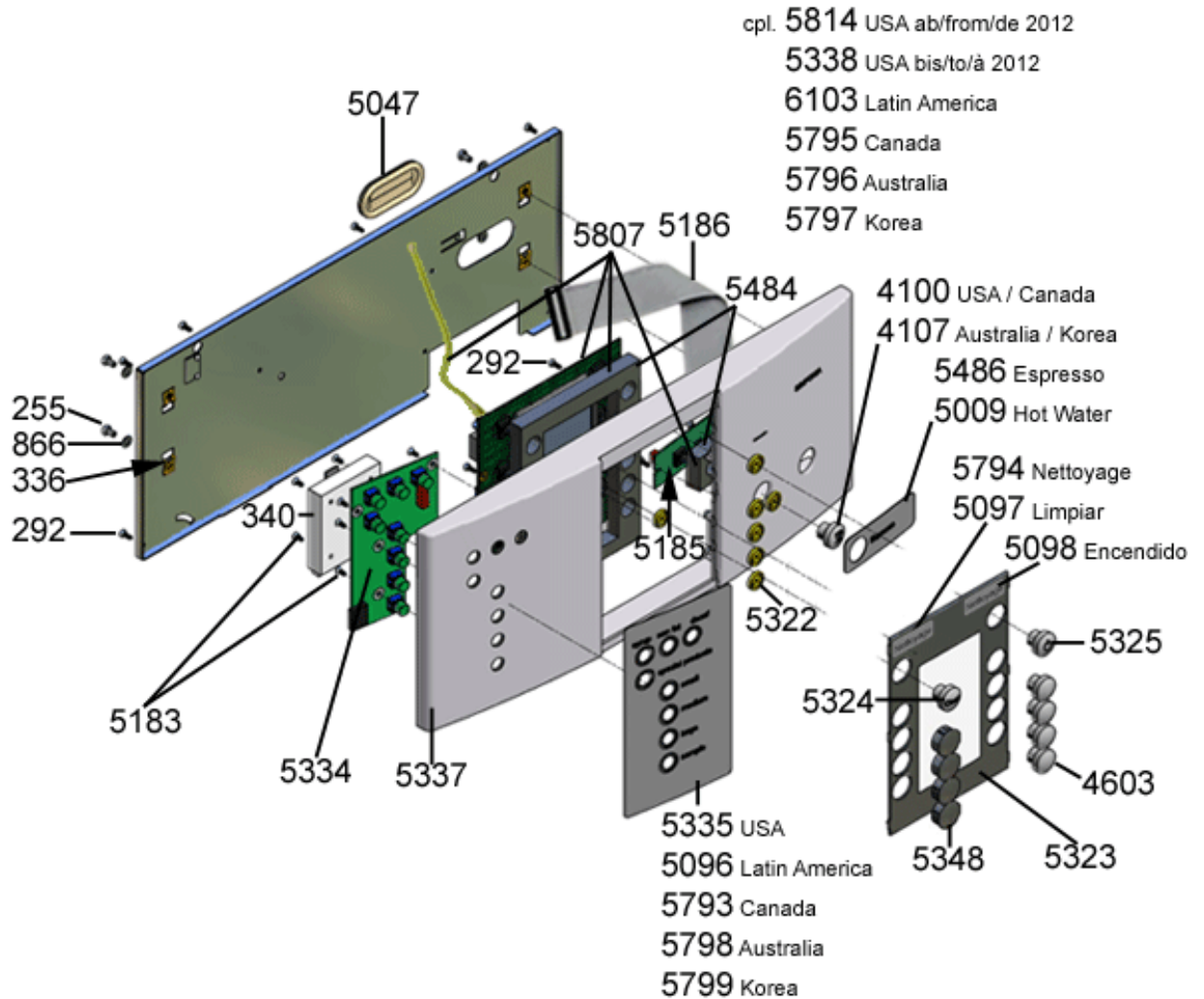
Pos. ▲	Name	Art. No.
2215	Funnel for manual filling	1T 311 164
2239	Cover for Funnel Handfilling	1T 311 179
42	Torx screw	1T 310 401
5350	Bean container holder Mazzer	1Y 320 646
5351	Indexing bolt GN 817-5-5-B	1Y 320 647
5352	Cup plate rear 2 grinder left/rigth	1Y 320 648

Sinfonia - Frontpanel

For further information see under chapter Sinfonia



Sinfonia



Pos. ▲	Name	Art. No.
255	Torque screw M4x8 mm	1T 310 040
292	Screw	1T 310 858
336	Clip M4	1T 310 016
340	Chip Card contact unit	10 300 939
4100	Knob silver Espresso	1P 315 286
4107	Knob silver Hot Water	1P 315 292
4603	Knob silver	1P 315 299
5009	Keypad foil Hot Water	1Y 321 050
5047	Cable bush	1Y 320 122
5096	Keypad foil to McD Latin America	1Y 321 093
5097	Keypad foil Limpiar	1Y 321 094
5098	Keypad foil to Encendido	1Y 321 095
5183	Countersunk head screw PT	1Y 320 151
5185	Steam-tea print	1Y 320 056

5186	Ribbon cable to Display Sinfonia	BK 320 552
5322	Catch for display	1Y 320 030
5323	Window for panel	1Y 320 052
5324	CLEAN button	1Y 320 148
5325	Stand by button	1Y 320 147
5334	Keypad PCB to front FSA	1Y 320 617
5335	Keypad foil to front FSA	1Y 320 618
5337	Front FSA	1Y 320 615
5338	Front FSA complete	BK 320 620
5348	Cover cap	1Y 320 242
5484	Seal operator print / HW-D-Print	1Y 320 681
5486	Keyboard foil Espresso	1Y 320 652
5793	Keypad foil to McD Canada	1Y 320 759
5794	Keypad foil Cleaning McD Canada	1Y 320 760
5795	Front cpl. FSA McD Canada	BK 321 046
5796	Front cpl. FSA McD Australia	BK 321 047
5797	Front cpl. FSA McD Korea	BK 321 048
5798	Foil keyboard McD Australia	1Y 320 762
5799	Keypad foil McD Korea	1Y 321 049
5807	Operator print Sinfonia	BK 321 180
5814	Front cpl. FSA McD USA 2012	BK 321 200
6103	Front FSA com. Latin America	BK 321 096
866	Washer M4	02 224 402

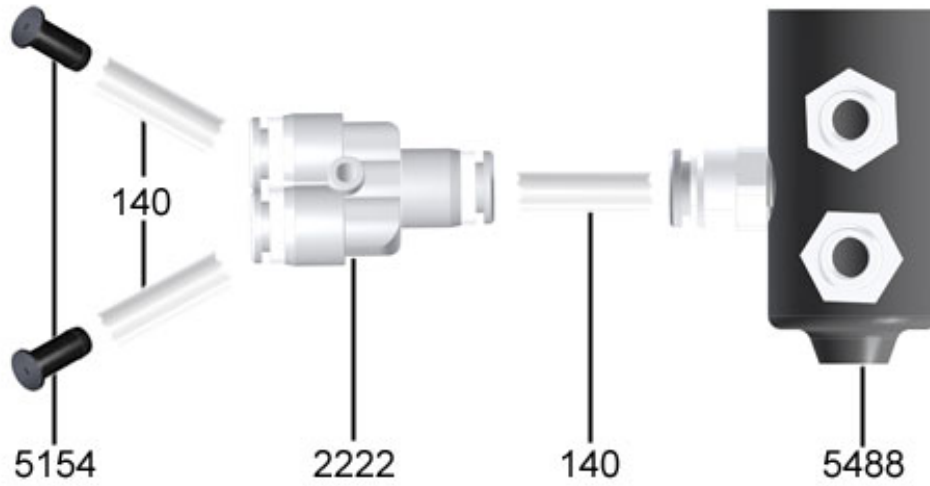
Sinfonia - Ground container / drip tray



Sinfonia

For further information see under chapter Sinfonia

Overflow pipe / Überlaufrohr / Tuyau d'écoulement



Pos. ▲	Name	Art. No.
140	Hose teflon 6x4mm	1T 310 138
2222	Y-Fast coupling	1T 311 310
5154	Orifice d=4x0.8 black	1Y 320 408
5488	Overflow pipe FSA cpl.	1Y 320 655

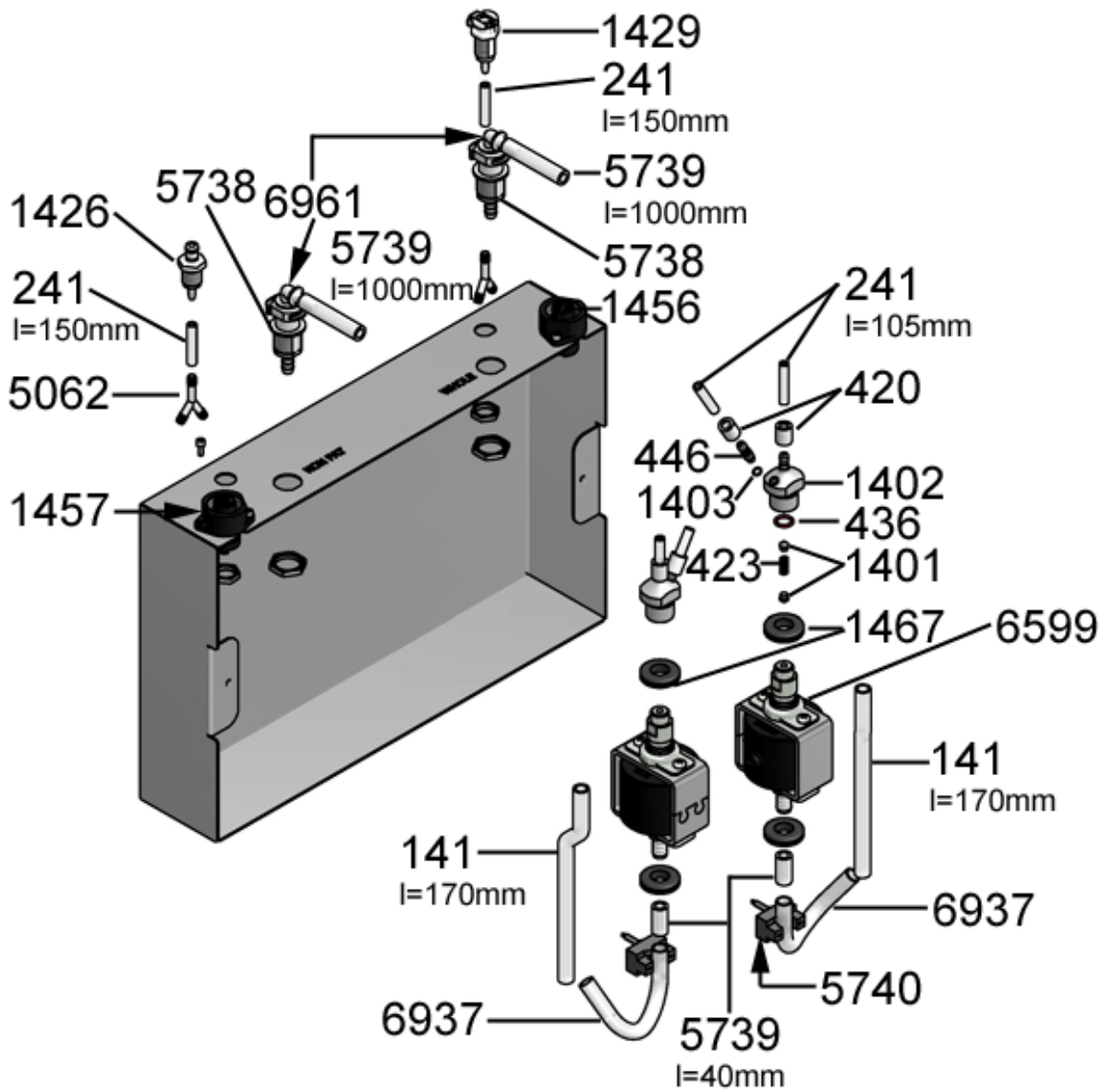
Sinfonia - Milksystems MUT

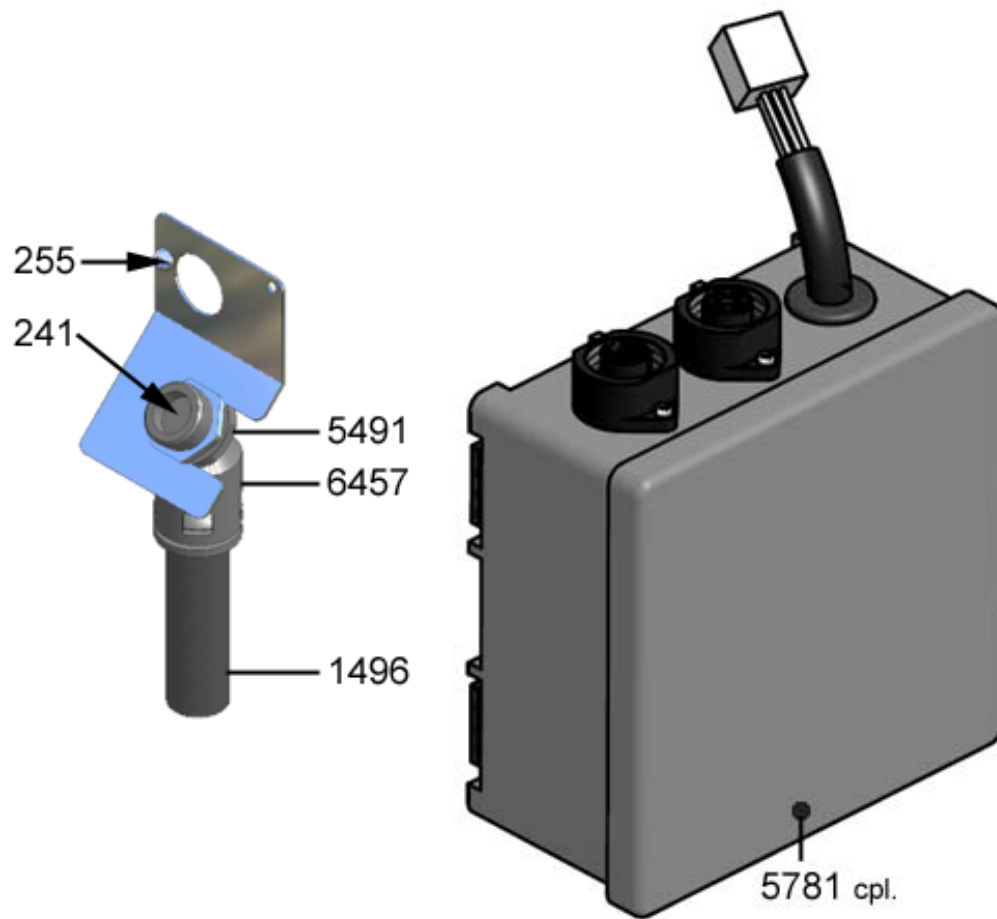
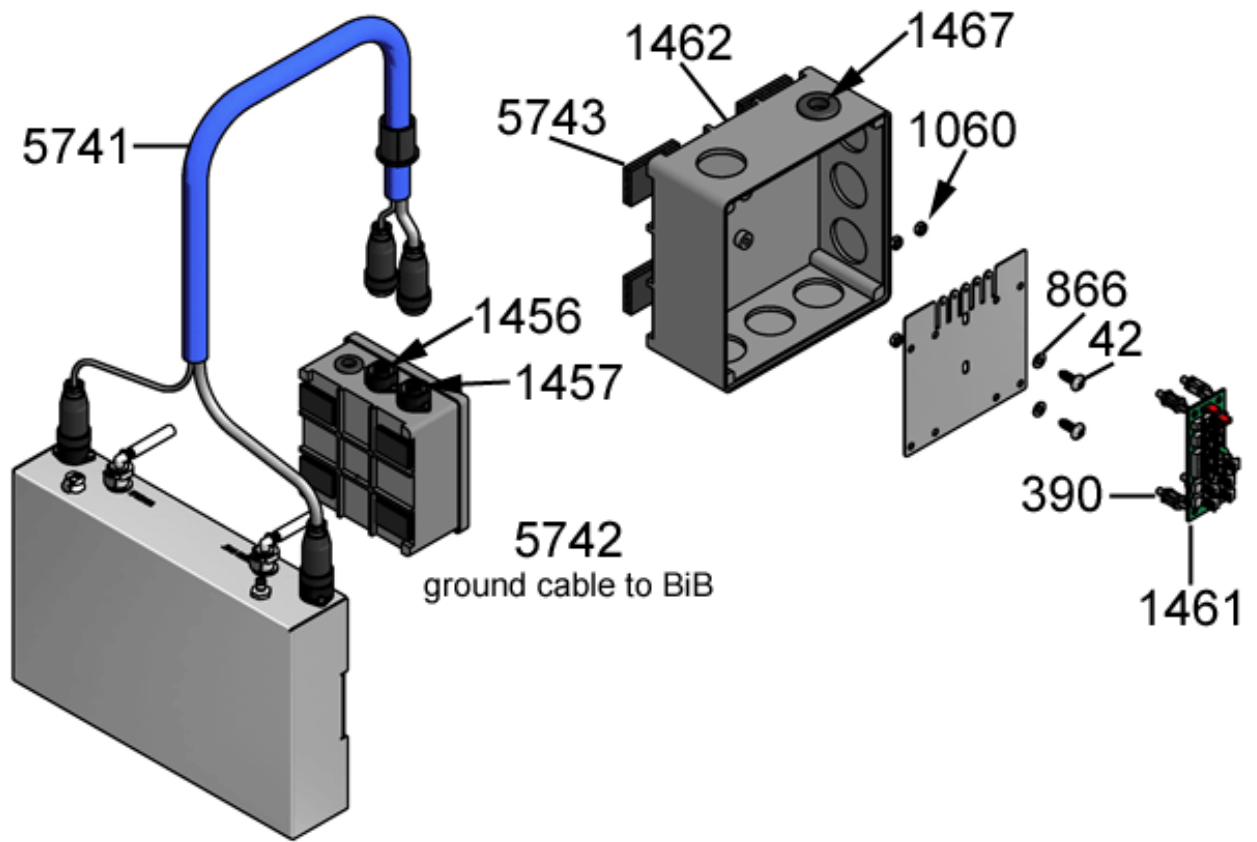
For further information see under chapter Sinfonia



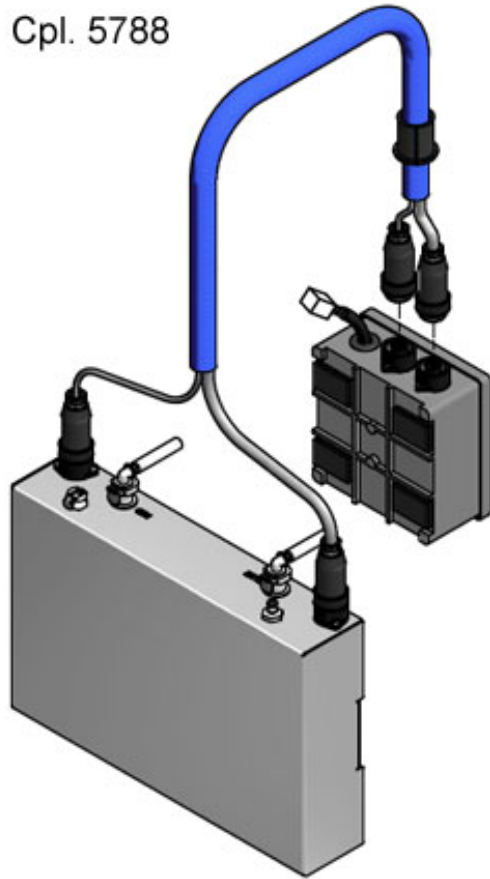
Sinfonia

MUT4 BiB

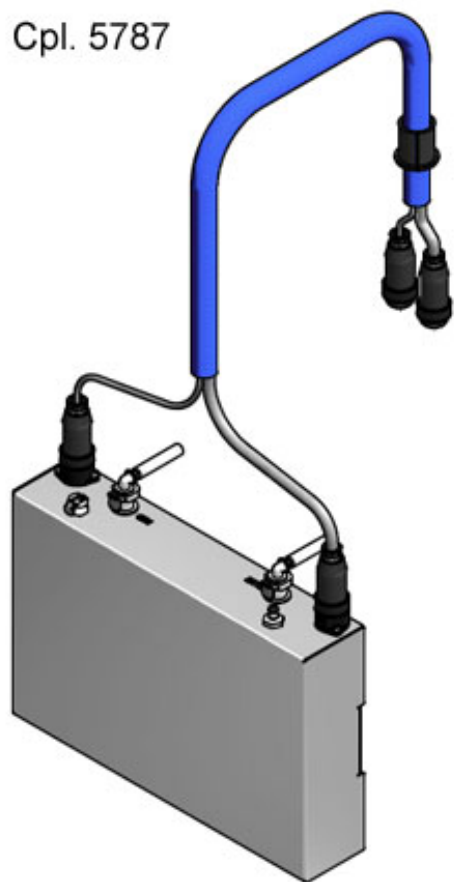




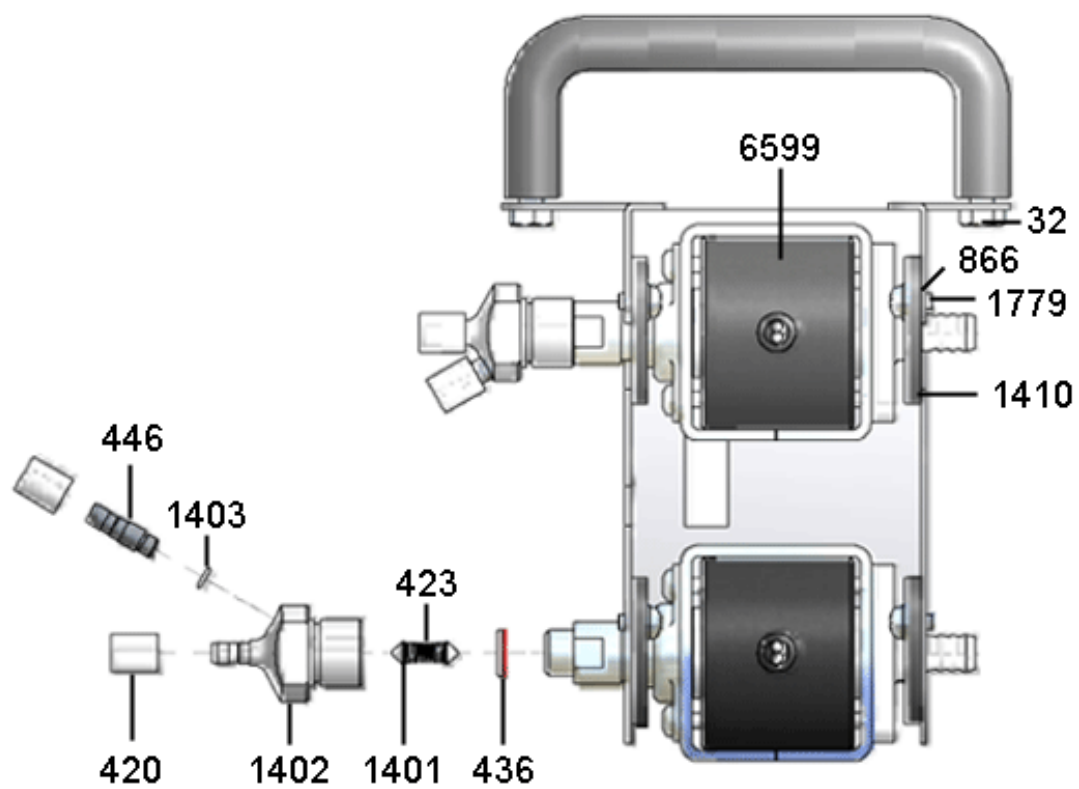
Cpl. 5788

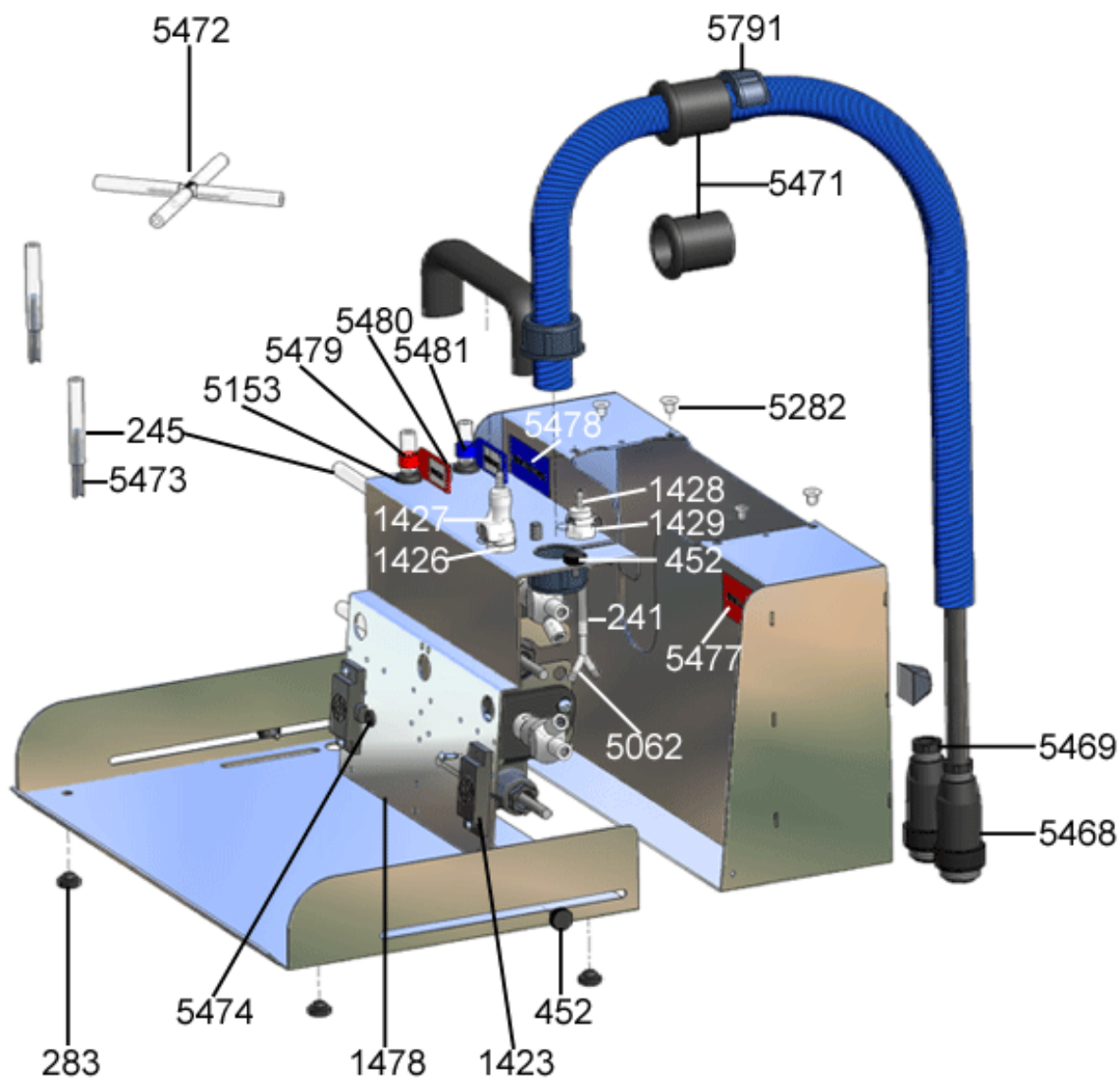


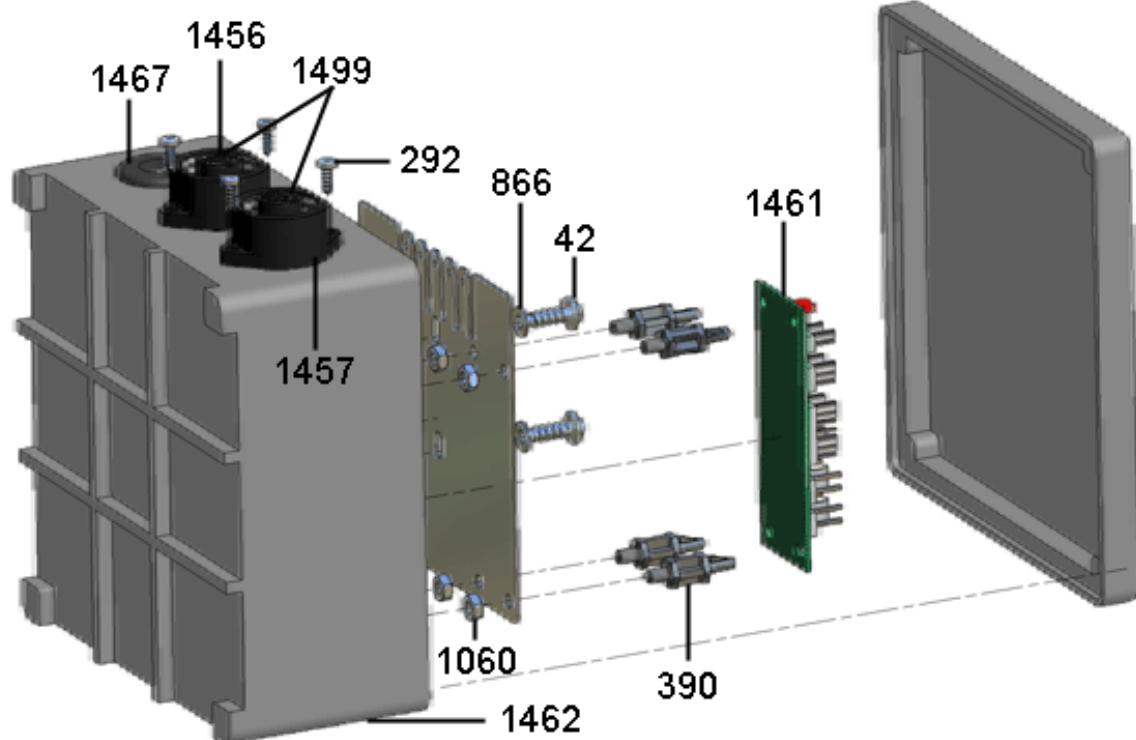
Cpl. 5787



MUT







Pos. ▲	Name	Art. No.
1060	hex screw M4	02 224 002
1401	Seal cone	1T 310 622
1402	Body for double safety valve for sy	1T 310 618
1403	O-Ring 4x1mm	1T 310 645
141	Hose silicone 10x1,5 mm	BK 300 450
1410	Support to pump	1T 310 708
1423	Readswitch capacitive with plug	10 301 369
1426	Plug nipple with thread	1Y 320 340
1427	Quick fitting coupling without thread	1Y 320 338
1428	Plug nipple without thread	1Y 320 339
1429	Quick fitting coupling with thread	1Y 320 337
1456	Socket 4-pin	1Y 320 640
1457	Socket 7-pin	1Y 320 641
1461	Mini-milk printed circuit board	1T 311 023
1462	Branch box	1Y 320 344
1467	Bush 120/180/10	10 300 346
1478	Plate cap to MUT	1Y 320 332
1496	Hose grey	1Y 320 343
1499	Cable loom to MUT4with plug	1Y 320 710
1779	Lens-head screw, M4 x 8 mm	1Y 320 286
241	Silicone hose ID= 3 mm	1L 296 485
245	Silicone hose ID 8 x 4 mm	1L 300 136
255	Torque screw M4x8 mm	1T 310 040
283	Buffer	1T 310 207
292	Screw	1T 310 858
32	Hexagon head screw M6x12	02 222 223
390	Distance bolt	1T 310 383
42	Torx screw	1T 310 401
420	Clamp bushing to Milksystem	1T 310 705
423	Spring to Milksystem	1T 310 644

436	O-Ring D=8,73x1,78	BK 310 192
446	Connector black XFMS zu Milch 200	1Y 320 546
452	Knurling-top M4	1T 310 086
5062	Y distributor	1T 310 489
5153	Feedthrough grommer DA 80/100/15	10 300 394
5282	Push-in plug 8 x 8.5	1Y 320 156
5468	Circular plug-in connector 7-pin	1Y 320 639
5469	Circular plug-in connector 4-pin	1Y 320 638
5471	Guide bushing	1Y 320 642
5472	Cross connection piece D4-5	1Y 320 654
5473	Nozzle to cappu	1Y 320 676
5474	Cable bush	10 301 814
5477	Sticker whole milk red	1Y 320 669
5478	Sticker non fat blue	1Y 320 668
5479	Cable clip red FSA	1Y 320 667
5480	Sticker whole	1Y 320 671
5481	Cable clip blue FSA	1Y 320 666
5487	Cleaningbox	1Y 320 683
5491	Locknut PG16	1H 326 015
5738	Coupling with Hose connection	1Y 320 929
5739	Silicone hose Ø10/6	1Y 320 753
5740	Micro-sensor EE-SPX613 1M	1Y 320 751
5741	Cable loom to MUT BiB	1Y 320 755
5742	Ground cable to BiB	1Y 320 934
5743	Dual Lock SJ/354D Velcro strip	1L 301 199
5781	Control mode complete	BK 321 111
5785	Cleaningbox EN / FR	1Y 320 814
5787	MUT4 BiB	BK 320 930
5788	MUT4 BiB incl. control mode	BK 320 940
5791	Fastener 2/3 black	1Y 320 720
6457	Quick angle 45°	1H 326 014
6599	Milk pump with plug Gotec	1H 326 386
6937	Molded tube 10x8x123	1H 327 064
6961	Coupling plug 1/4	1H 327 134
866	Washer M4	02 224 402

Sinfonia - Valve

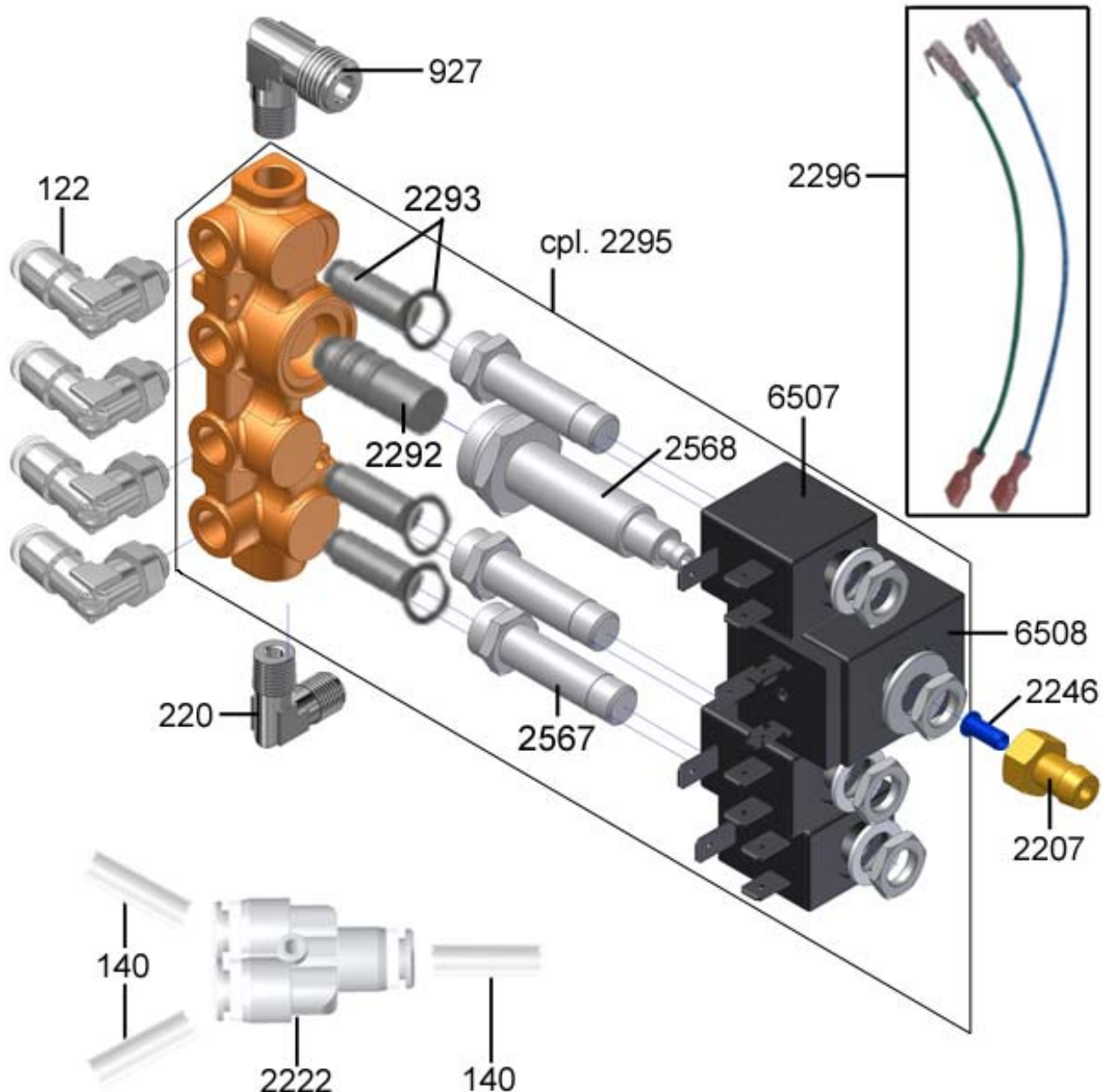


Sinfonia

For further information see under chapter Sinfonia

Heisswasser Ventilblock ODE (FSA)
 Hotwater Valve block ODE (FSA)
 Eau chaude vannes ODE (FSA)

.....
 ab Seriennummer 00016429
 starting from serial number 00016429
 à partir d'un numéro de série 00016429

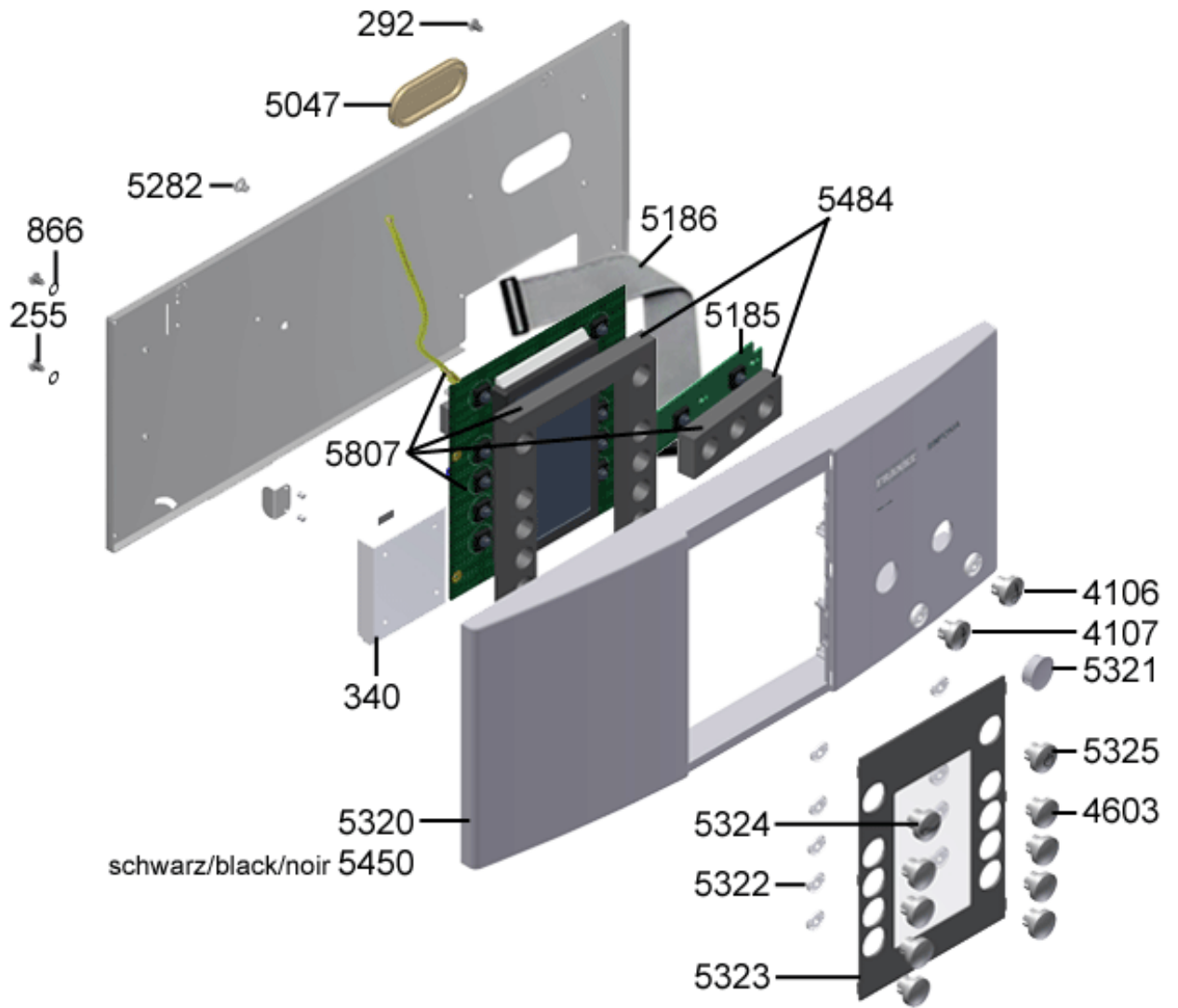


Pos. ▲	Name	Art. No.
122	Plug-in coupling, rotating	1T 310 134
140	Hose teflon 6x4mm	1T 310 138
220	Screwed elbow	1L 296 323
2207	Connection nipple to overflow	1T 311 329
2222	Y-Fast coupling	1T 311 310
2246	Orifice 0.4mm for hose 4mm blue	1Y 320 536
2292	Plunger ODE 3/2	BK 311 489
2293	Plunger ODE 2/2 way	BK 311 488
2295	Hotwater valveblock ODE	1T 311 453
2296	Wire Harness valve G Y4	10 300 123
2567	Plunger guide ODE valve 2/2	BK 311 644
2568	Plunger guide ODE valve 3/2	BK 311 645
6507	Coil ODE valve 2/2	BK 311 646
6508	Coil ODE valve 3/2	BK 311 647
927	Elbow	1H 325 299

Sinfonia - Frontpanel



Sinfonia



Schlüsselschalter für Kannenauslauf
 Keyswitch for jug outlet



Pos.	Name
255	Torque screw M4x8 mm

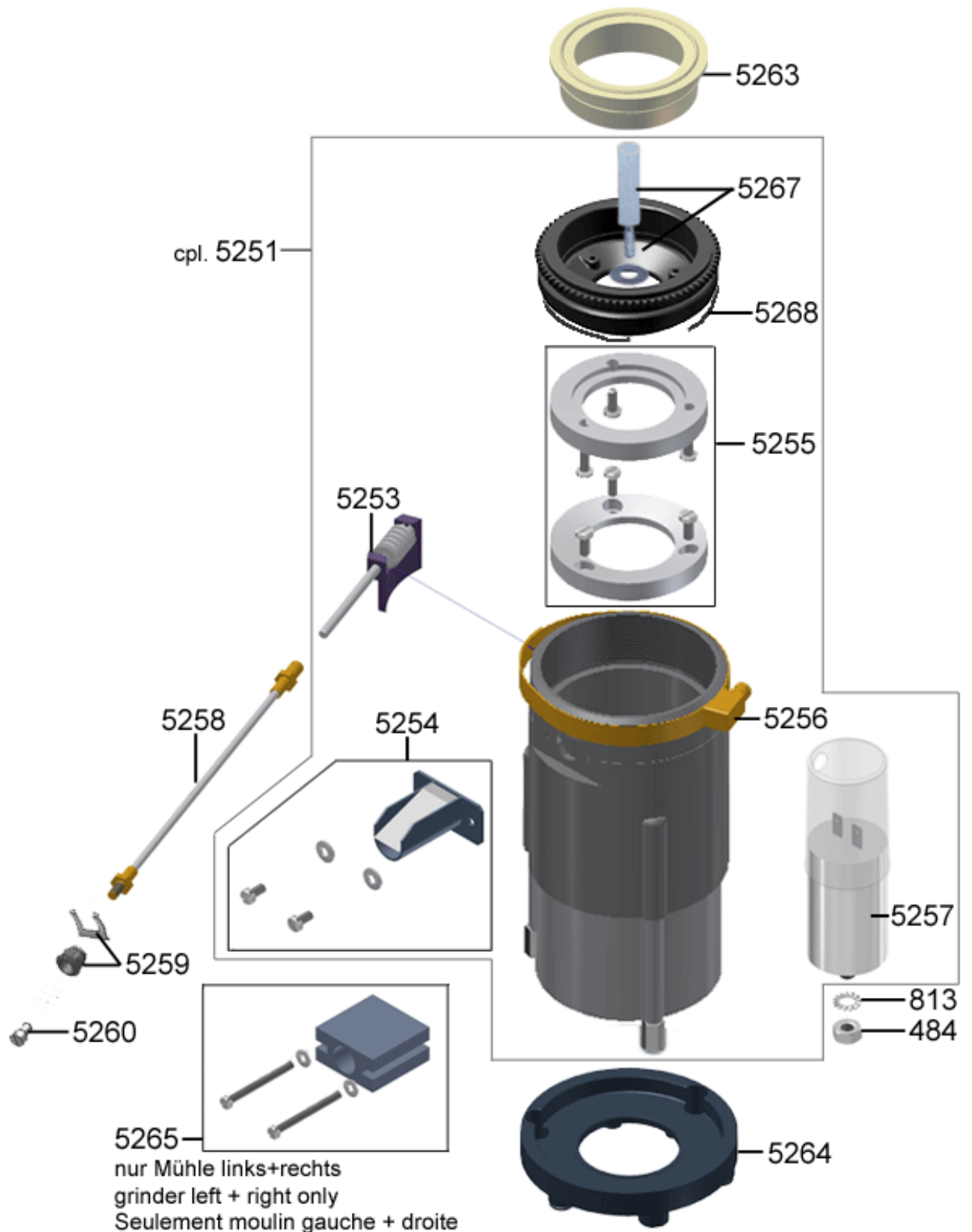
Art. No.
1T 310 040

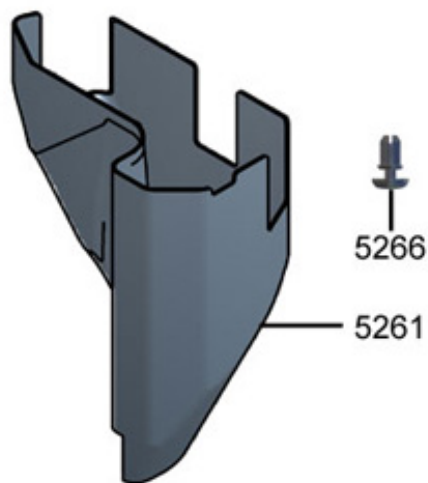
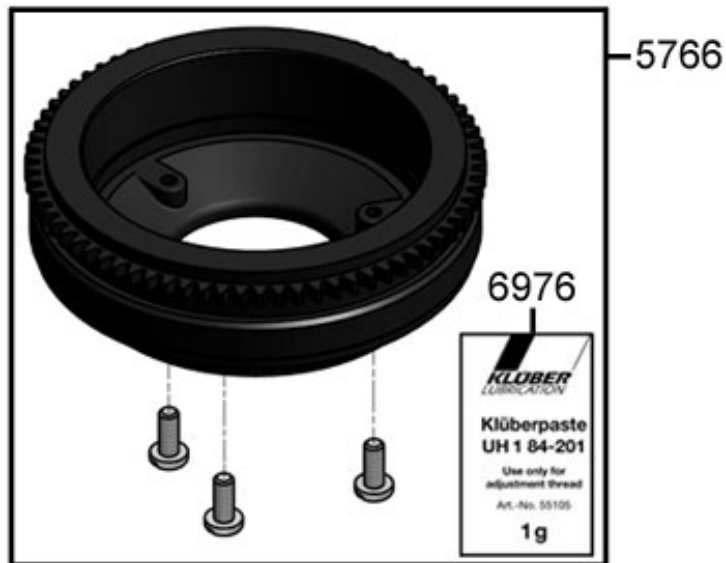
292	Screw	1T 310 858
340	Chip Card contact unit	10 300 939
4106	Knob silver Steam	1P 315 291
4107	Knob silver Hot Water	1P 315 292
4603	Knob silver	1P 315 299
5047	Cable bush	1Y 320 122
5185	Steam-tea print	1Y 320 056
5186	Ribbon cable to Display Sinfonia	BK 320 552
5282	Push-in plug 8 x 8.5	1Y 320 156
5320	Front silver with Franke-Logo	1Y 320 188
5321	Domed cover, silver varnished	1Y 320 243
5322	Catch for display	1Y 320 030
5323	Window for panel	1Y 320 052
5324	CLEAN button	1Y 320 148
5325	Stand by button	1Y 320 147
5450	Front Sinfonia	1Y 320 579
5484	Seal operator print / HW-D-Print	1Y 320 681
5807	Operator print Sinfonia	BK 321 180
866	Washer M4	02 224 402
928	Key switch for breakfast set	10 301 228

Sinfonia - Grinder



Sinfonia



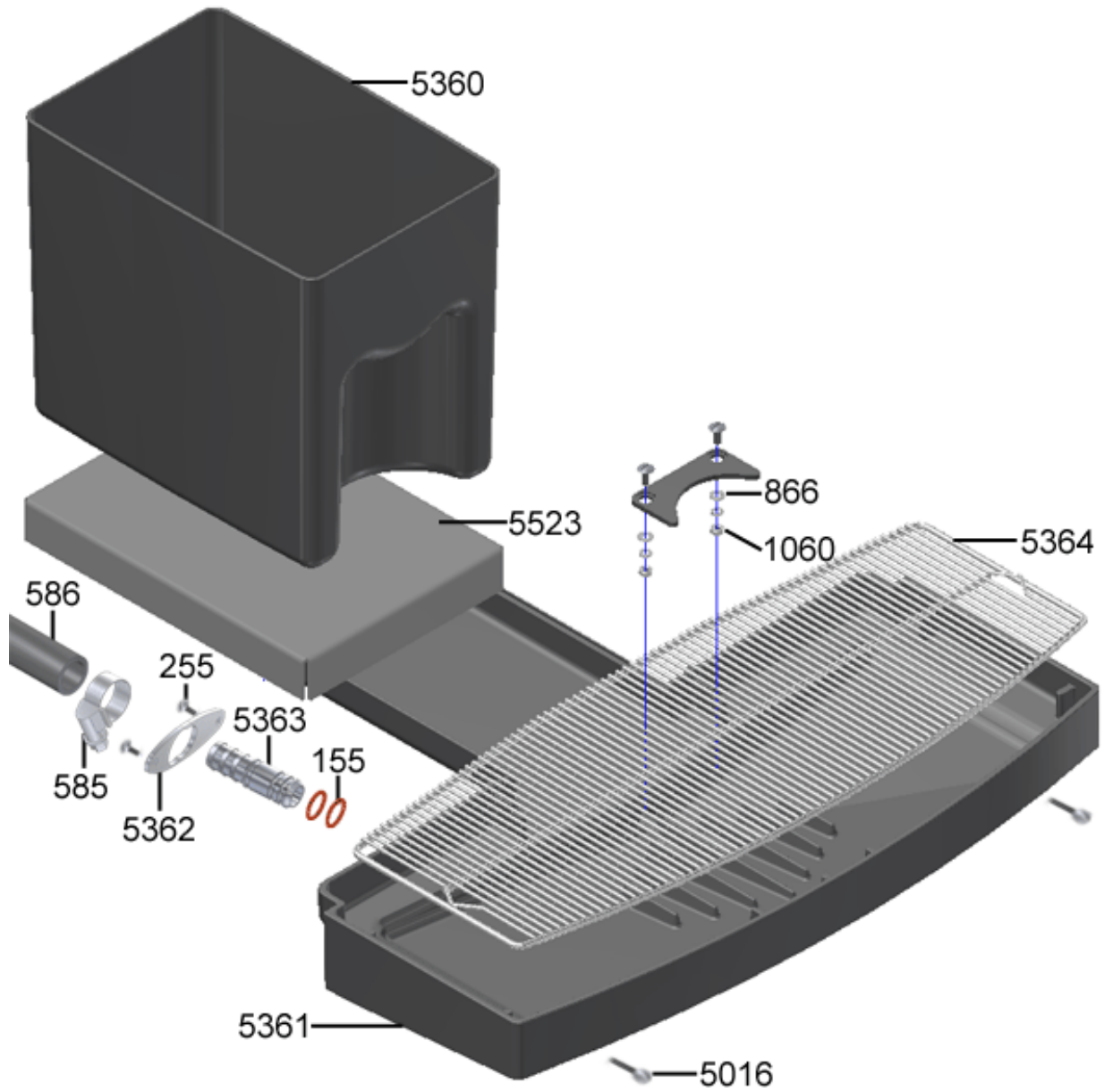


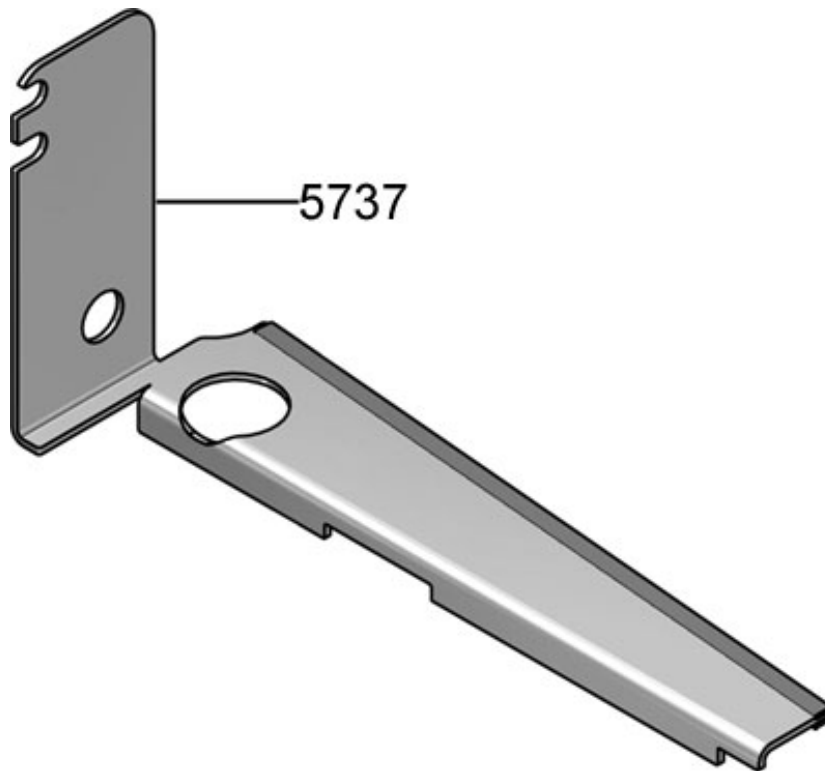
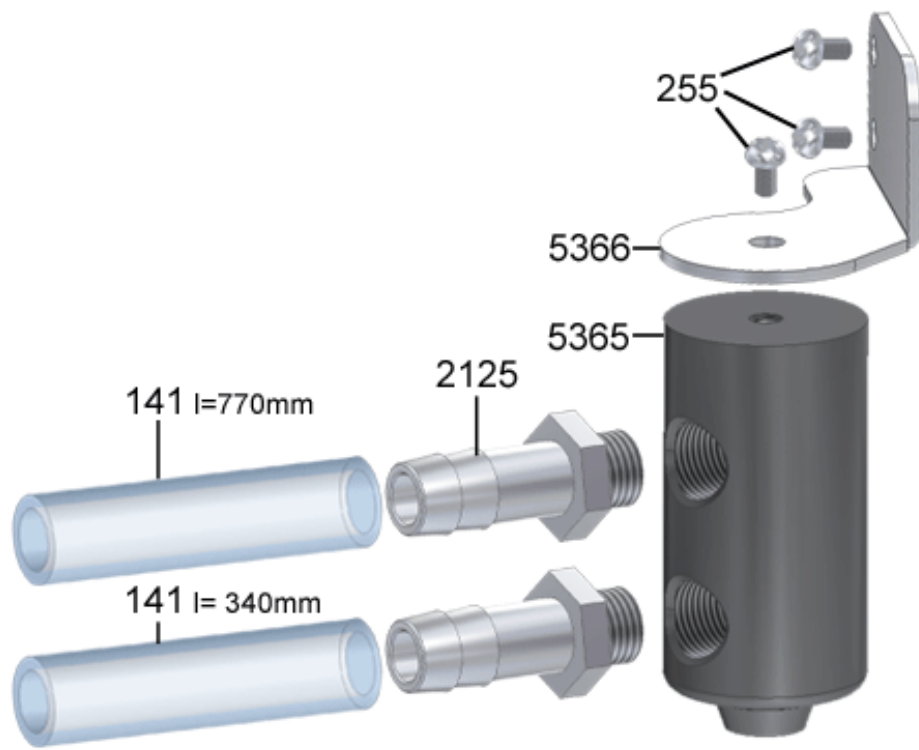
Pos. ▲	Name	Art. No.
484	Hex. nut M8	02 224 005
5251	Grinder EMV 64F	1Y 320 029
5253	Worm gear, grinder adjustment	BK 320 347
5254	Grinder outlet	BK 320 348
5255	Grinding blade set, d=64	BK 320 349
5256	Hose clip for adjustment worm gear	BK 320 350
5257	Capacitor 16 uF	BK 320 351
5258	Flexible shaft compl.	1Y 320 145
5259	spring Housing right with fixing	1Y 320 179
5260	chrome plated Actuator	1Y 320 180
5261	Powder chute	1Y 320 049
5263	Bean container mounting	1Y 320 045
5264	Grinder mounting	1Y 320 044
5265	Intermediate piece	1Y 320 010
5266	Snap Rivet to slide	1Y 320 213
5267	Finger guard to grinder	BK 320 384
5268	Limit spring for grinder Sinfonia	BK 320 448
5766	Setting ring grinder EMV 64F	1Y 320 901
6976	Klüberpaste UH1 84-201 / 1g	1H 327 583
813	Lock washer M8	02 224 529

Sinfonia - Ground container / drip tray

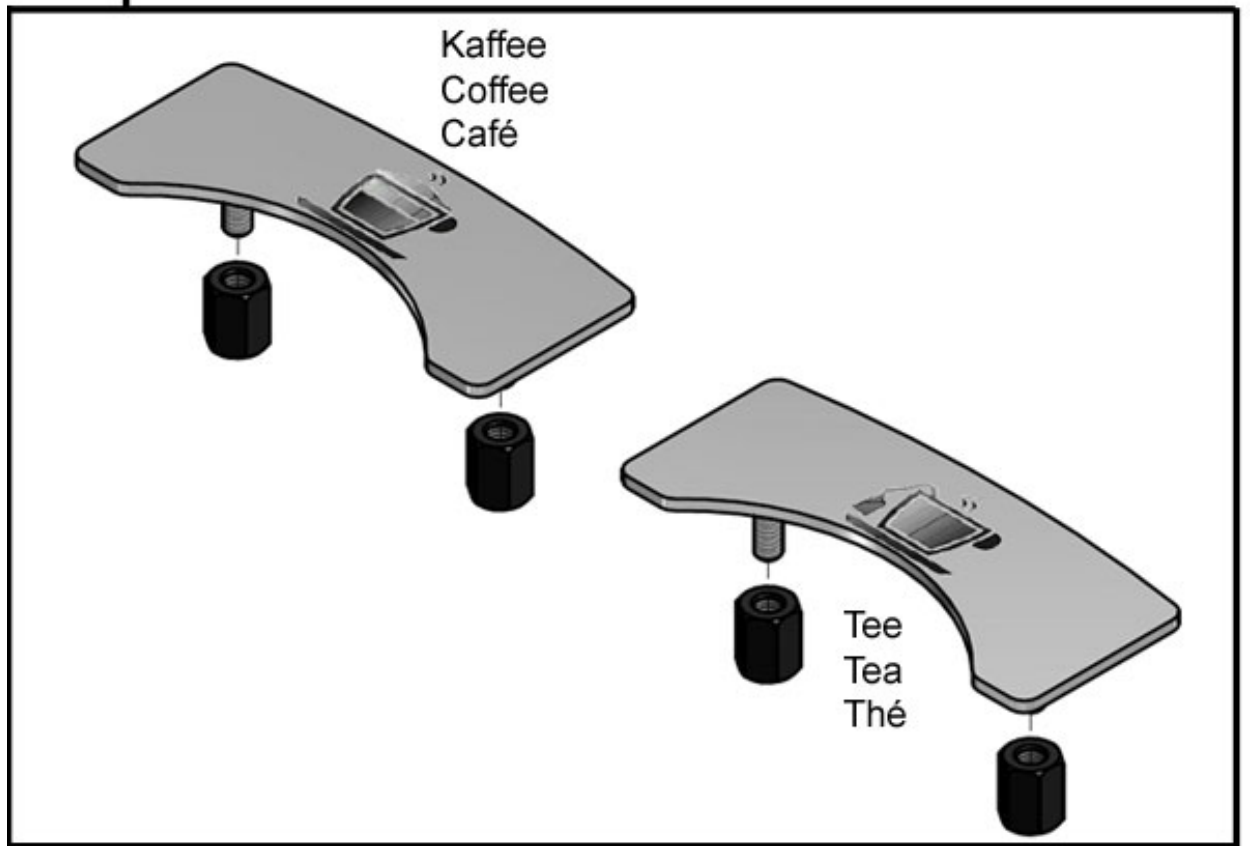


Sinfonia

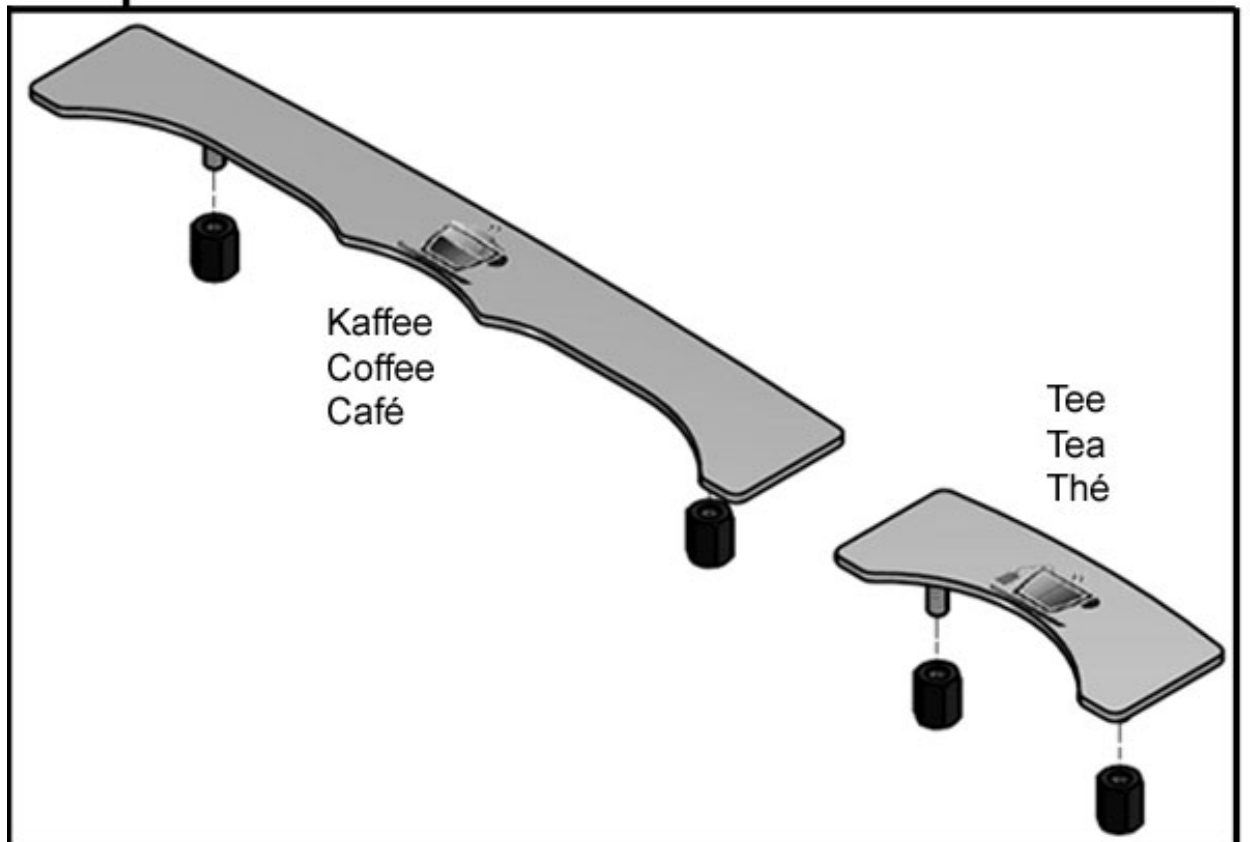


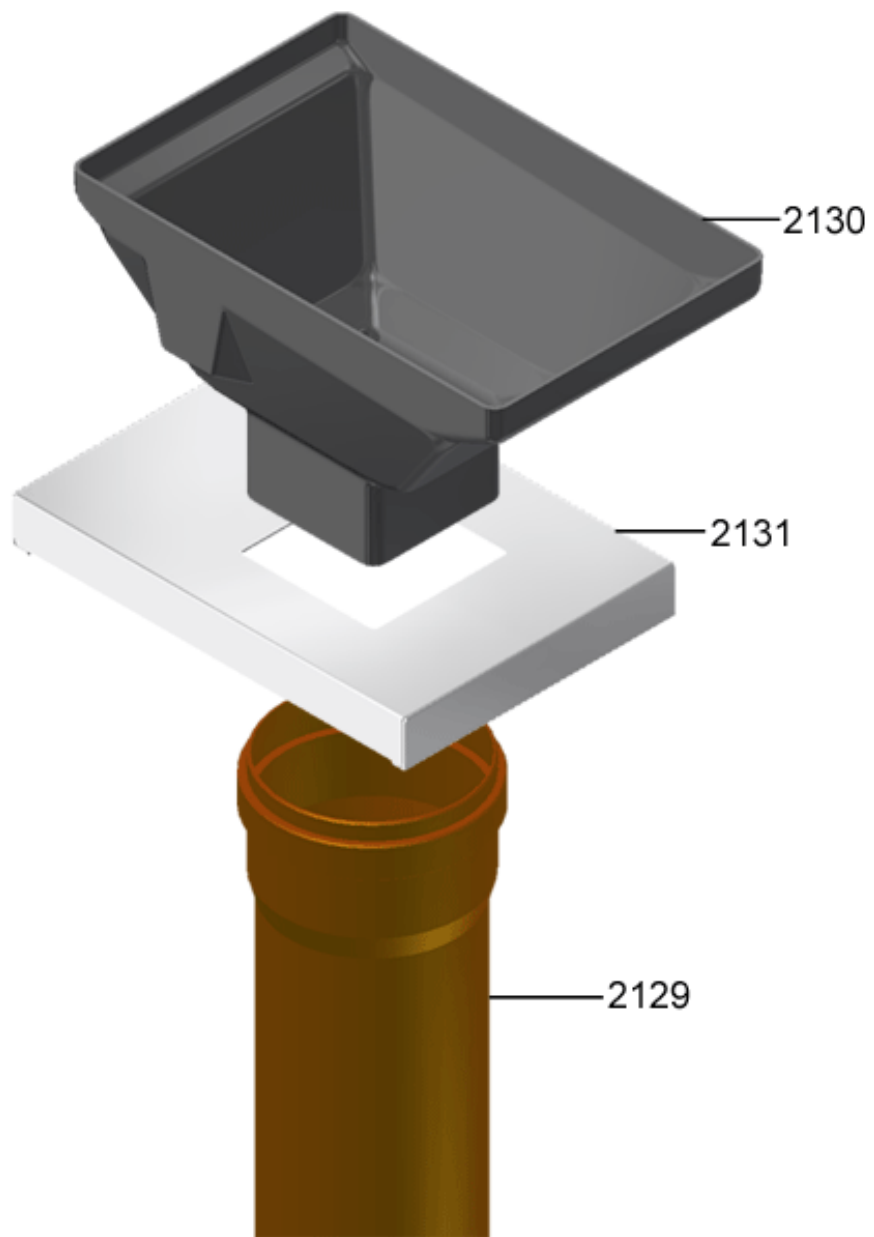


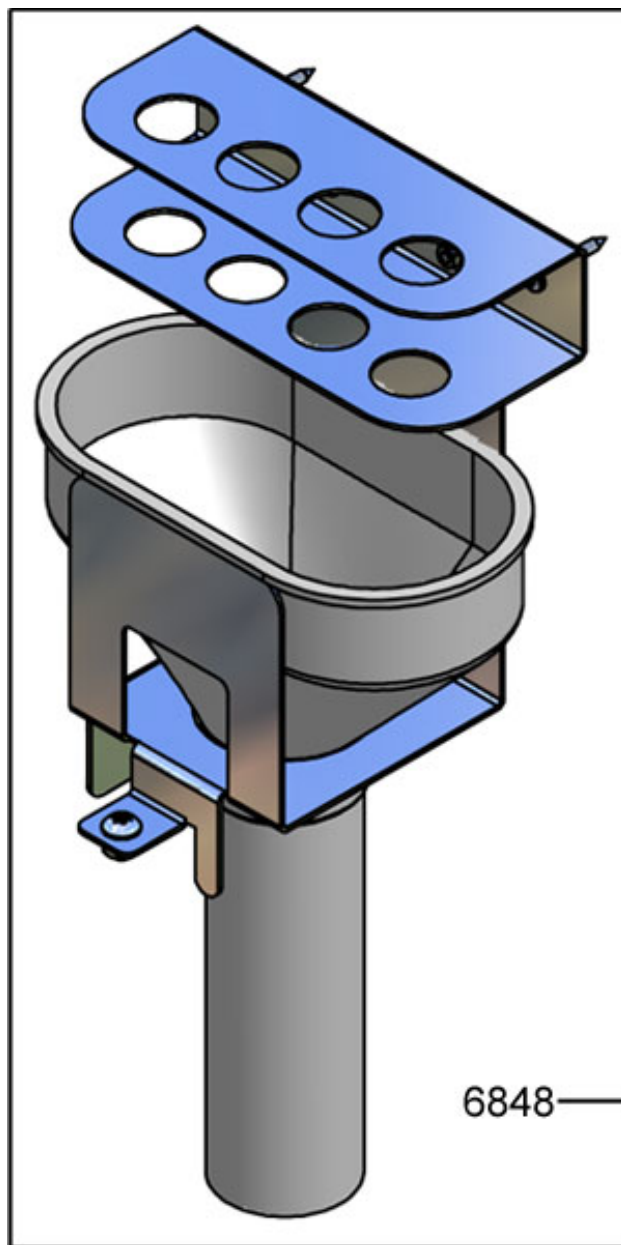
7100



7101







Pos. ▲	Name	Art. No.
1060	hex screw M4	02 224 002
141	Hose silicone 10x1,5 mm	BK 300 450
155	O-ring d=12x2	1L 296 247
2125	Screw in spout	1T 311 323
2129	Tube to grounds chute	1L 301 697
2130	Ground slide	1T 310 236
2131	Intermediate bottom to ground slide	1Y 320 248
255	Torque screw M4x8 mm	1T 310 040
5016	internal hex. Pan head screw with	1Y 320 083
5360	Grounds container	1Y 320 081
5361	Drip tray	1Y 320 022
5362	Drain retainer	1Y 320 140
5363	Drain pipe	1Y 320 141
5364	Mesh for Drip tray	1Y 320 398
5365	Overflow pipe	1Y 320 144
5366	Overflow retainer	1Y 320 143
5523	Intermediate base plastic	1Y 320 138
5737	Steam deflection plate cpl.	1Y 320 974
585	Hose clamp 15-24mm	1L 301 665

586 Hose drain 14,5 x 20 mm
6848 Outlet hopper cpl.
7100 Set stop plate single
7101 Set stop plate double
866 Washer M4

1L 301 100
BK 327 059
BK 328 041
BK 328 042
02 224 402

Sinfonia - Knob symbols



Evolution
Sinfonia



4600



4602



4100



4099



4103



4102



4101



5341



4605



5342



5343



4604



5344



5345



5346



5347



4601



4107



4106



5325



4603



5324



5321



5348

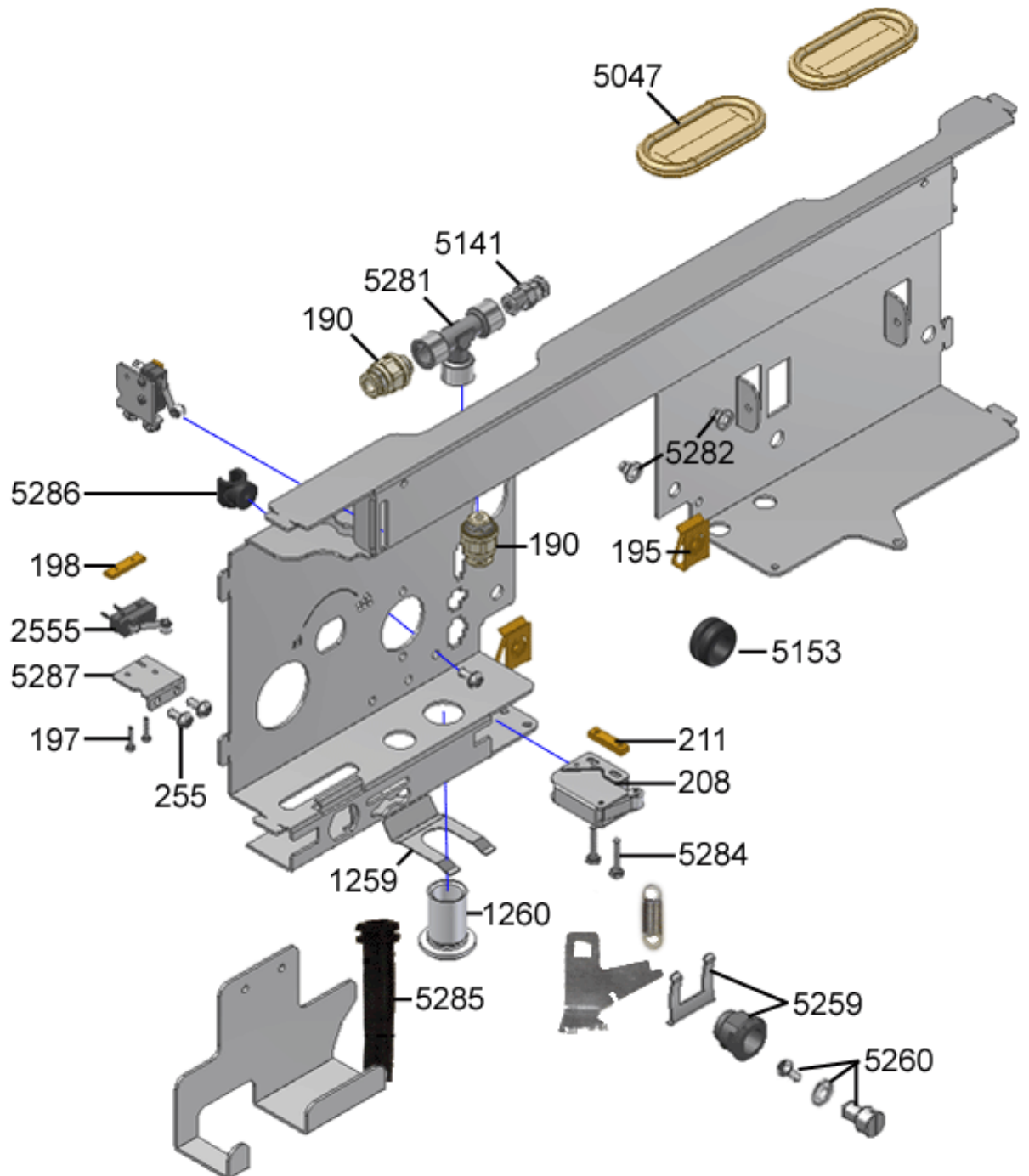
wenn kein Tee/Dampf
if no tea/steam
si sans thé/vapeur

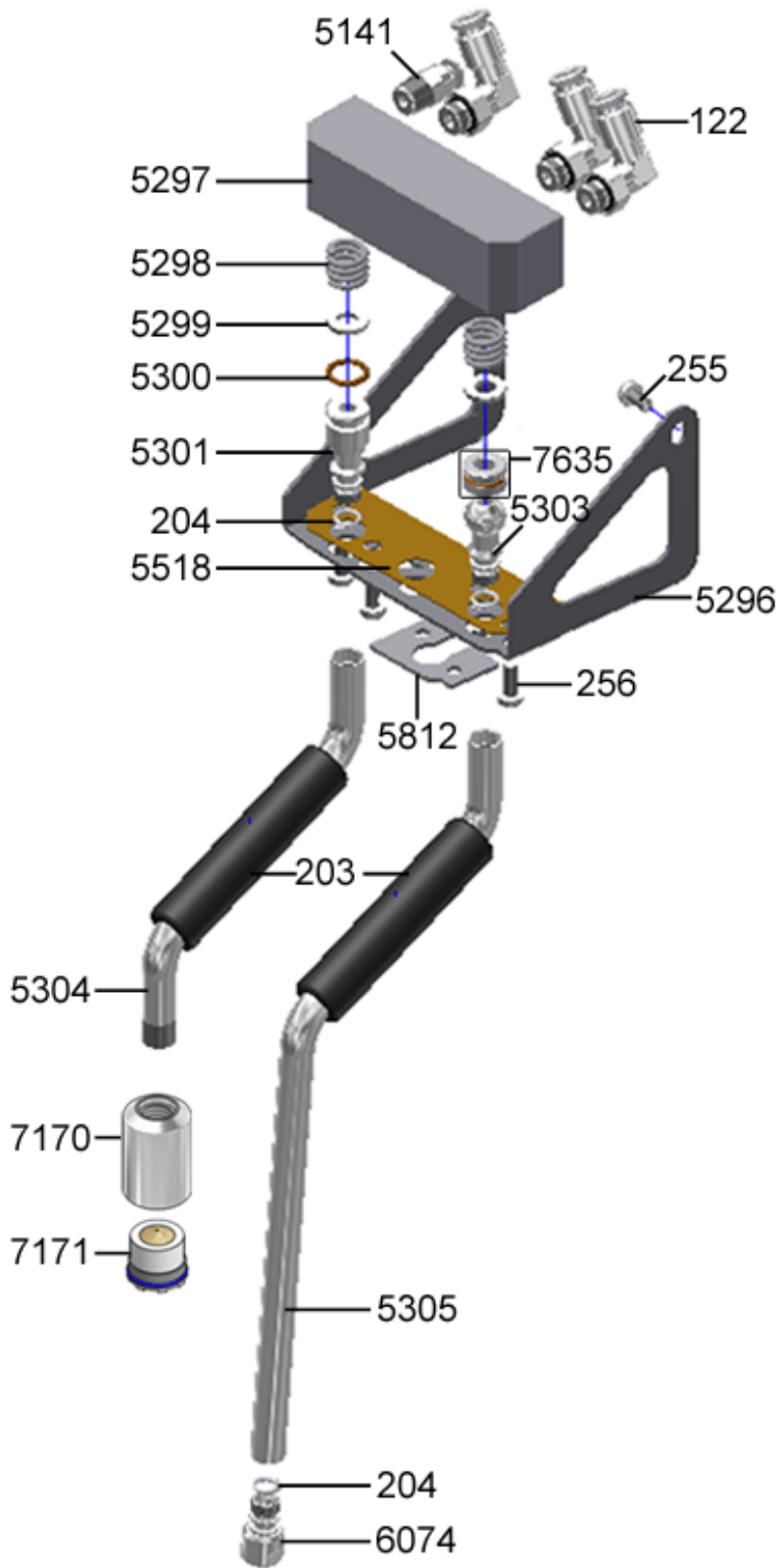
Pos. ▲	Name	Art. No.
4099	Knob silver 2 Espresso	1P 315 285
4100	Knob silver Espresso	1P 315 286
4101	Knob silver Cappu	1P 315 287
4102	Knob silver 2 Creme	1P 315 288
4103	Knob silver Creme	1P 315 289
4106	Knob silver Steam	1P 315 291
4107	Knob silver Hot Water	1P 315 292
4600	Knob silver Ristretto	1P 315 296
4601	Knob silver decaf	1P 315 297
4602	Knob silver 2 Ristretto	1P 315 298
4603	Knob silver	1P 315 299
4604	Knob silver Top-Up	1P 315 300
4605	Knob silver Latte	1P 315 301
5321	Domed cover, silver varnished	1Y 320 243
5324	CLEAN button	1Y 320 148
5325	Stand by button	1Y 320 147
5341	Button Cappu 2 cups	1Y 320 270
5342	Button 2 cups café au lait	1Y 320 272
5343	Button Macchiato	1Y 320 273
5344	Button Cold milk	1Y 320 275
5345	Button Hot milk	1Y 320 274
5346	Button Coffee (glass)	1Y 320 276
5347	Heart decaffeinated button	1Y 320 271
5348	Cover cap	1Y 320 242

Sinfonia - Outlet Tea Steam / Cross Beam

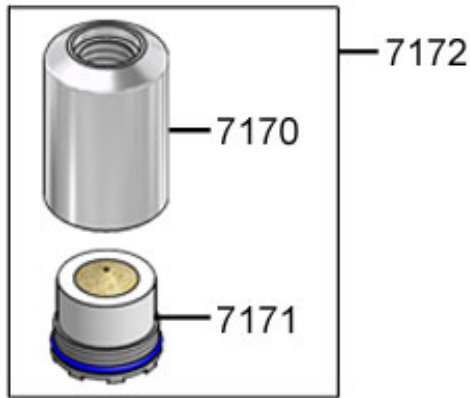


Sinfonia

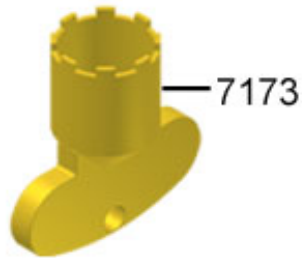
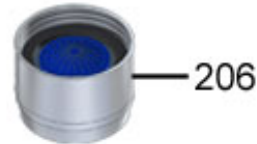




ab/from/de 02.2012



bis/to/à 02.2012



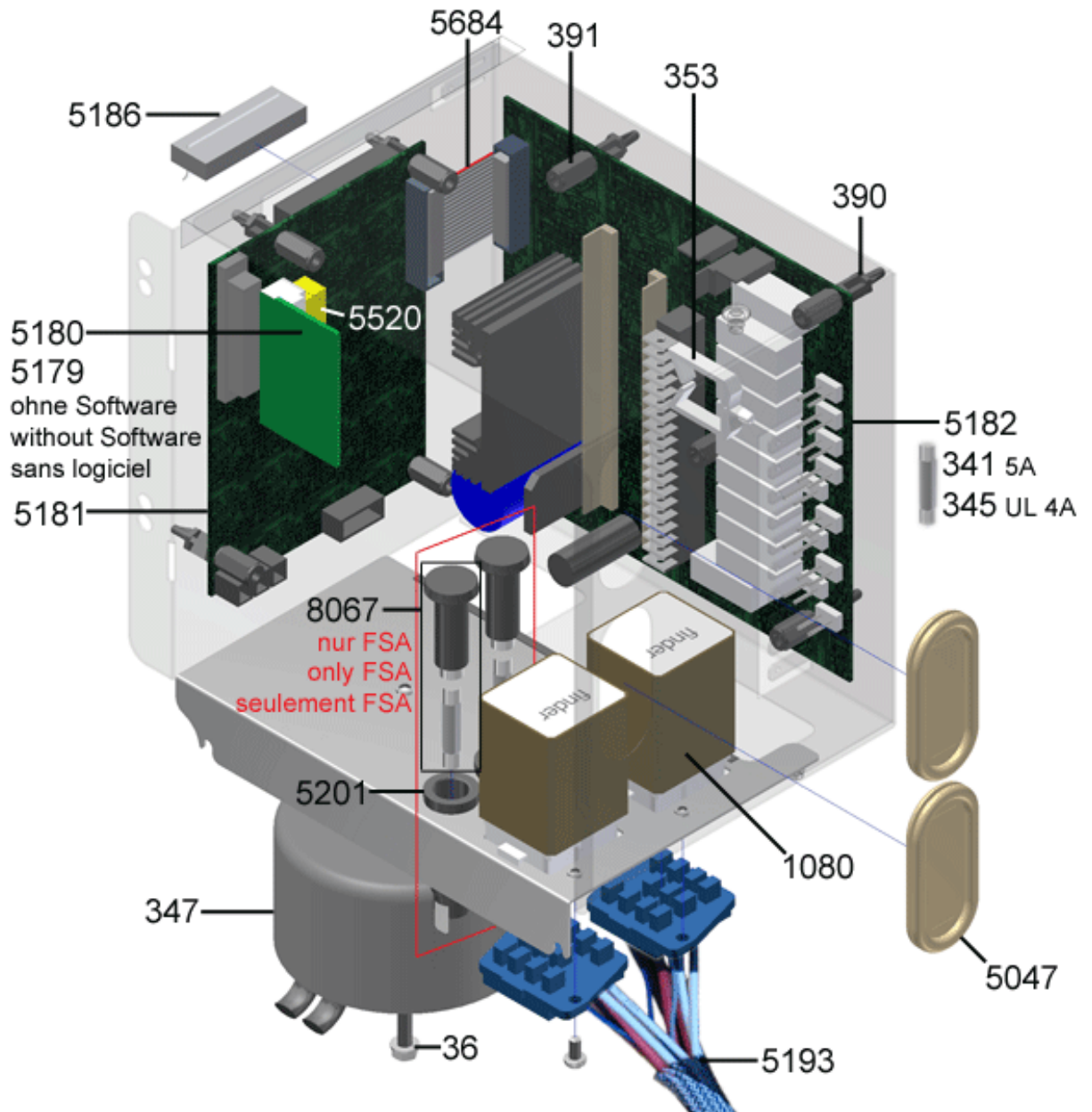
Pos. ▲	Name	Art. No.
122	Plug-in coupling, rotating	1T 310 134
1259	Clip for tube guiding	1L 301 391
1260	Tube guiding short to Ecolino Lengt	1L 301 387
190	Plug-in coupling	1T 310 132
195	Nut C-Clip M5	1T 310 031
197	Screw M2x10mm	1L 301 025
198	Sunk key 20x5x2mm	1T 310 106
203	Handle	1T 310 217
204	O-ring d=5.5x1.5 mm	1L 296 308
208	Catch	AL 170 509
211	Sunk key 20x5x3 mm	1T 310 200
255	Torque screw M4x8 mm	1T 310 040
2555	Microswitch with roller lever	1T 311 671
256	Torque screw M4x10mm	1Y 320 284
5047	Cable bush	1Y 320 122
5141	Push-in coupling	1Y 320 087
5153	Feedthrough grommer DA 80/100/15	10 300 394
5259	spring Housing right with fixing	1Y 320 179
5260	chrome plated Actuator	1Y 320 180
5281	T-piece 200M-1/8	1Y 320 095
5282	Push-in plug 8 x 8.5	1Y 320 156
5284	Hex-head screw A2 BN 622 M3 x 16	1L 300 666
5285	Type 561 tension relief	1Y 320 310
5286	Simple tube-clip 10 mm	1L 296 526
5287	Microswitch holder	1Y 320 060
5296	Water-steam support	1Y 320 078
5297	Water - steam distributor	1Y 320 023
5298	Compression spring	1Y 320 028
5299	U-washer A2/A4 without chamfer	1Y 320 027
5300	O-Ring 9.25 x 1.78 mm	1Y 320 026
5301	Link for tea pipe	1Y 320 134
5303	pipe Universal joint for tea-steam	1Y 320 024
5304	Tea pipe	1Y 320 079

5305	Steam pipe	1Y 320 080
5518	Brass plate for steam outlet	1Y 320 537
5812	Steam pipe stop plate	1Y 321 044
6074	Steam nozzle	1H 325 040
7170	Tea pipe cone	1H 327 860
7171	Aerator M16.5 x 1 Neoperl	1H 327 861
7172	Tea tube cone set	BK 328 021
7173	Key for aerator Neoperl	1H 327 863
7635	Universal joint with O-Ring	BK 329 245

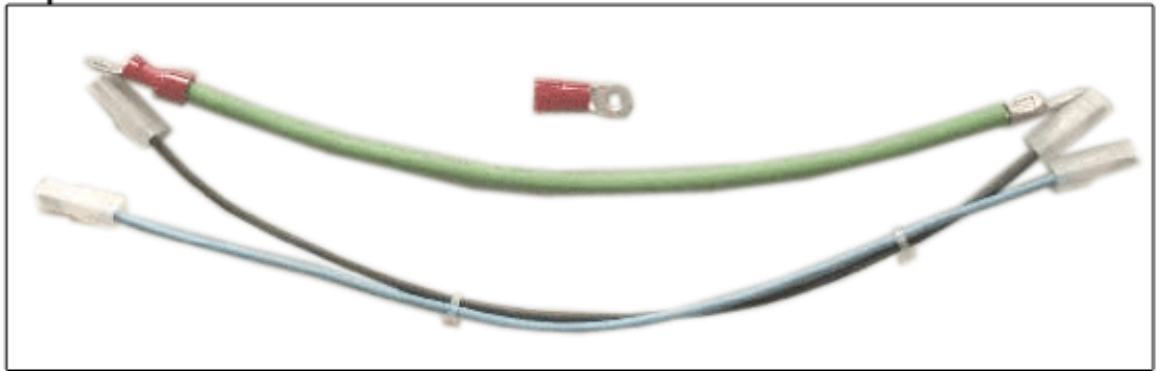
Sinfonia - Power PCB / transformer / power connection



Sinfonia



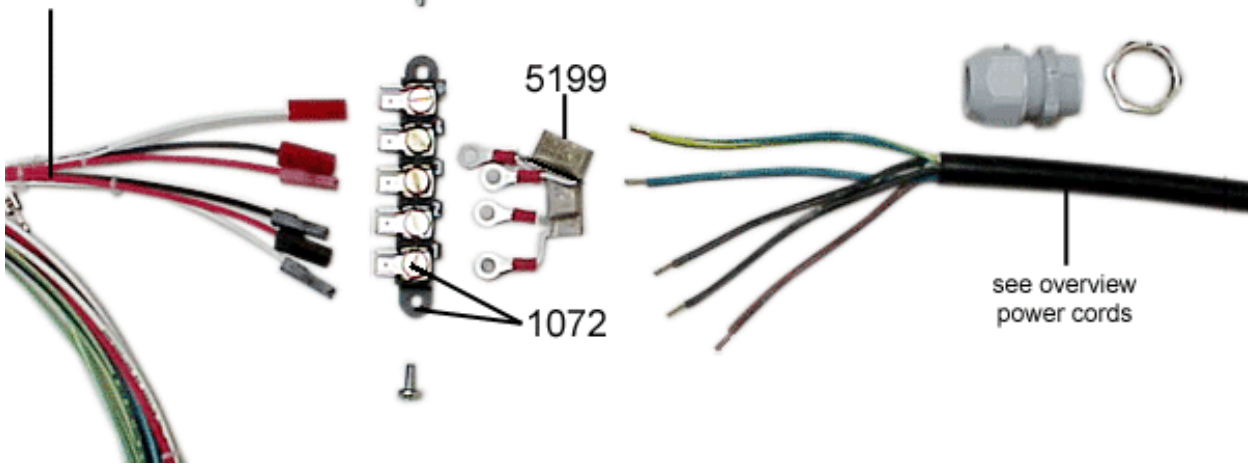
5203



1072



5193



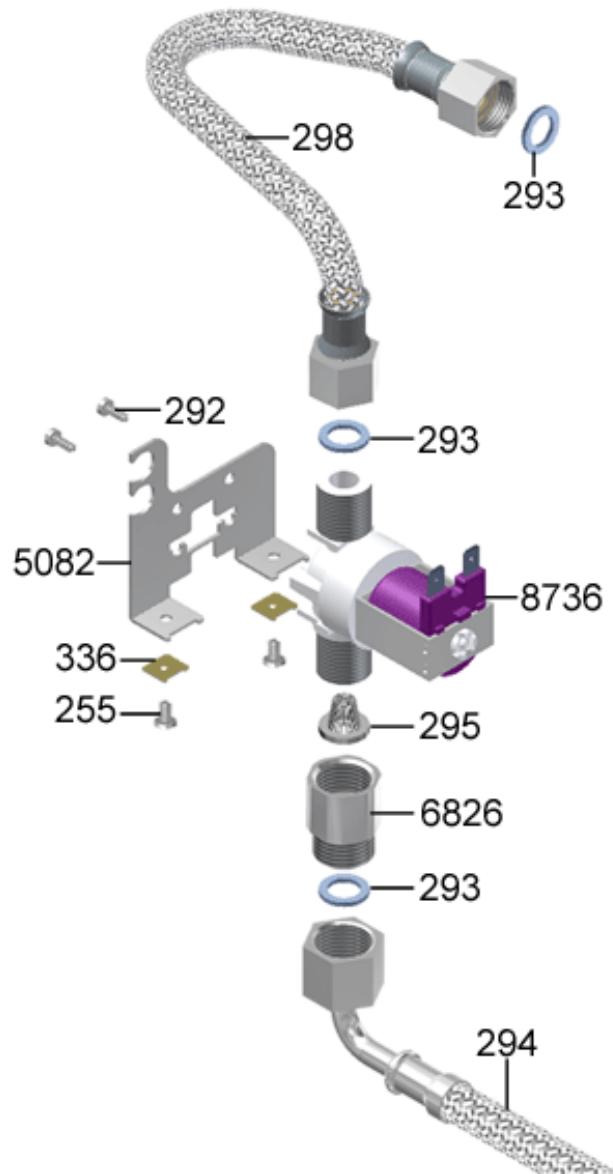
Voltage	Connetion	Power	Amps	Link (Pos No)
208Y	3Ph PE	2500W	30A	
208Y	3Ph PE	6300W	30A	
208Y	1Ph PE	3500W	30A	1947
208Y	1Ph PE	6300W	50A	
220-240V	1PH PE	3500W	30A	1947
220-240V	1Ph PE	8500W	50A	

Pos. ▲	Name	Art. No.
1072	Electric mains terminal	10 296 236
1080	Print heating relay 230 V AC	10 296 926
1947	Mains cable UL 12AWG autosteam	1T 310 650
341	Fuse 5ATT	BK 310 471
345	Fuse 4A FTT	1Y 320 444
347	Safety trafo 208-230V, 50/60Hz	1T 310 008
353	Cable holder	1T 310 099
36	Mushroom head screw PanHead M5x40	02 221 774
390	Distance bolt	1T 310 383

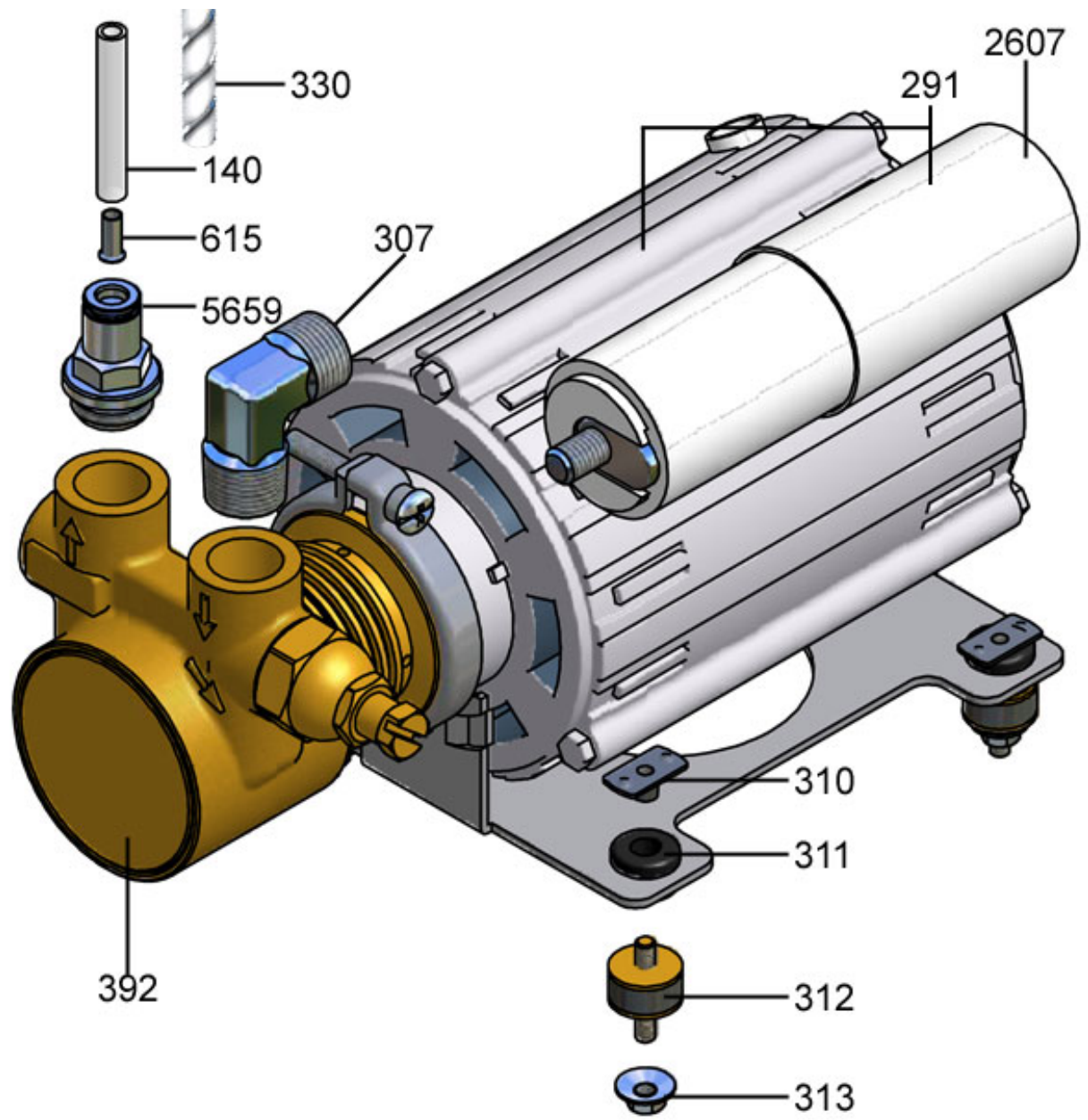
391	Distance bolt	1T 310 384
5047	Cable bush	1Y 320 122
5179	Flash-Rom for CPU-Print	1Y 320 058
5180	Flash-Rom Sinfonia V1.xx	1Y 320 484
5181	CPU-Print without cable	1Y 320 057
5182	Power print without cable	1Y 320 059
5186	Ribbon cable to Display Sinfonia	BK 320 552
5193	Cable loom Mains	1Y 320 102
5199	Interference-supression capacitor X	1Y 320 288
5201	Fuse holder	1Y 320 399
5203	Cable loom UL	1Y 320 397
5520	Battery to CPU	BK 320 111
5684	Ribbon cable to Power-CPU print	1Y 320 731
8067	6.3x32 16 A fuse with head	BK 321 097

Sinfonia - Pump / Flowmeter / Water feeding

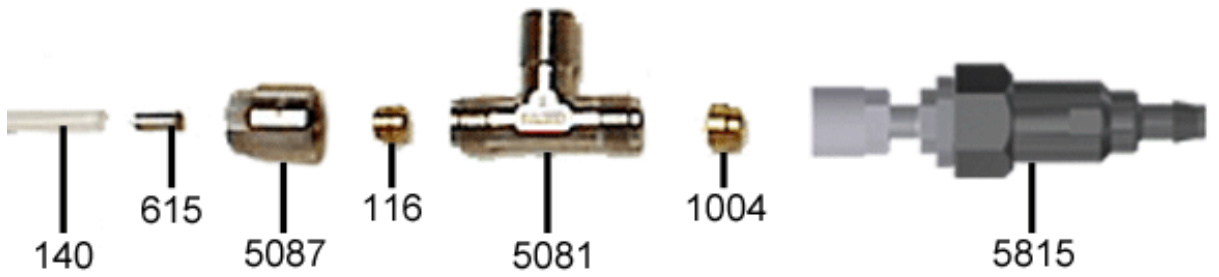
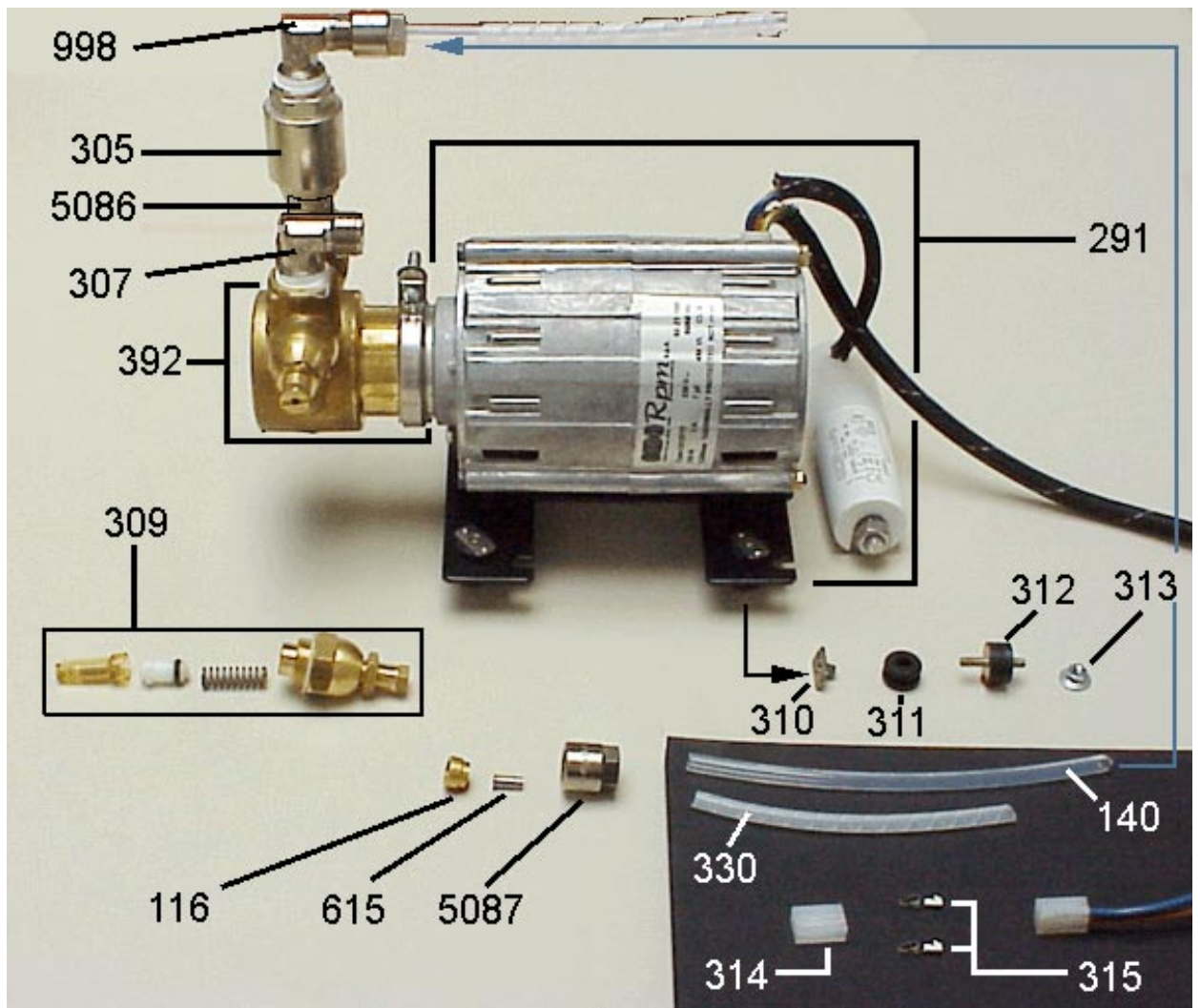
Sinfonia

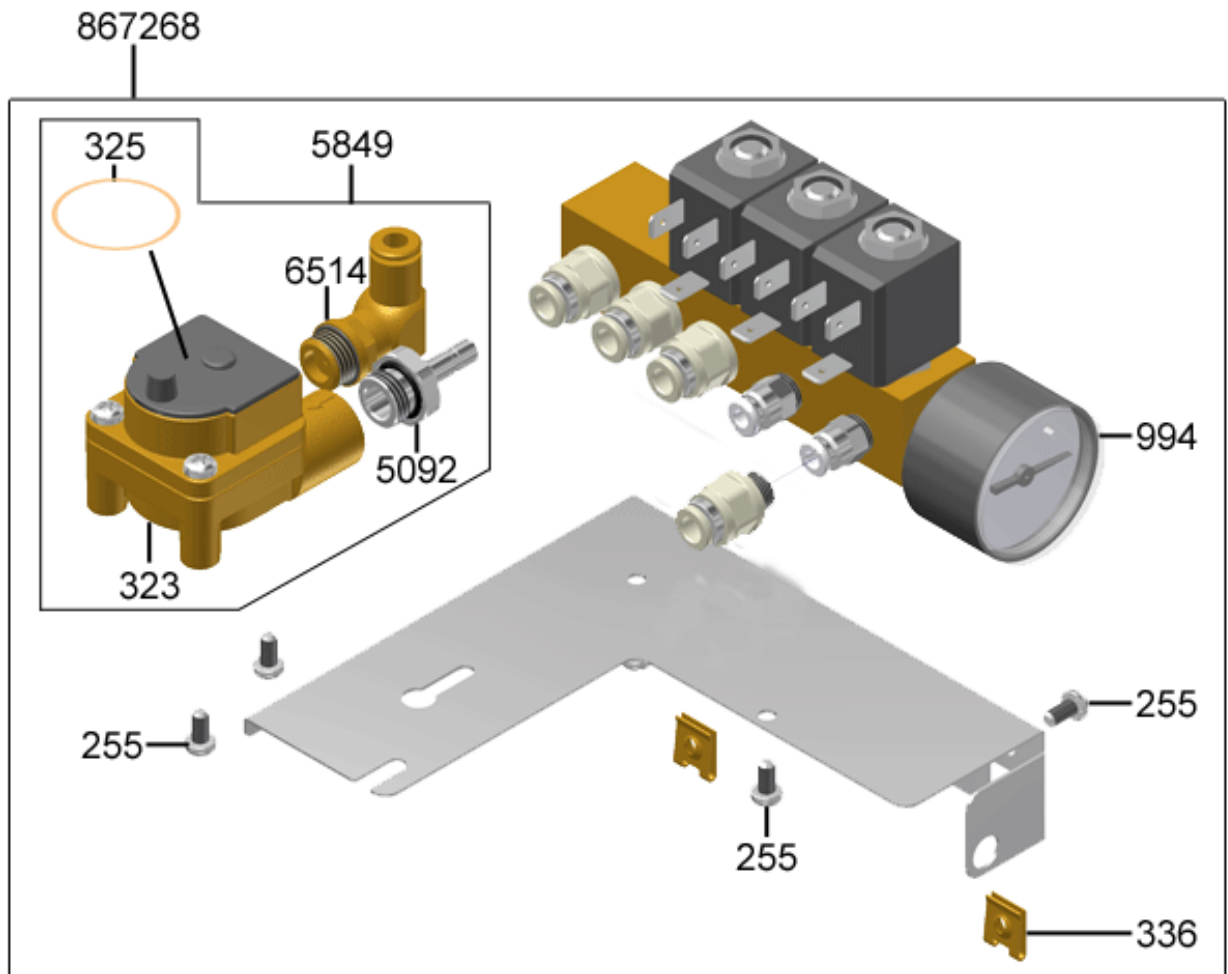


.....
ab Seriennummer 039.4.0.11496
starting from serial number 039.4.0.11496
à partir d'un numéro de série 039.4.0.11496
.....



.....
bis Seriennummer 039.4.0.11495
up to serial number 039.4.0.11495
jusqu'au numéro de série 039.4.0.11495
.....





Pos. ▲	Name	Art. No.
1004	Locking ring	1T 310 820
116	Locking ring	1T 310 823
140	Hose teflon 6x4mm	1T 310 138
255	Torque screw M4x8 mm	1T 310 040
2607	Capacitor 7 uF to pump motor	BK 311 982
291	Motor	1T 310 003
292	Screw	1T 310 858
293	Seal 3/8, 15x10x1.5	1L 297 307
294	Metallic hose	1L 297 184
295	Filter-sieve for valve-mains	1T 310 028
298	Metallic hose	1T 310 011
305	Non return valve 3/8 B2-B3 VALSTOP	1L 297 002
307	Screw fitting SO 02400-3/8z-3/8k CV	1L 296 331
309	Pumpbypass E/EII/G Fluid O Tec	BK 310 765
310	Nut M4x6	02 224 182
311	Rubber spont	1T 310 037
312	Silentblock	1T 310 038
313	Ecrou M4	1L 301 112
314	Housing	1T 310 136
315	Contacts	1T 310 135
323	Flowmeter	10 296 083
325	O-Ring for flowmeter	BK 301 440
330	Spiralstrip 6x4mm PE	BK 298 432
336	Clip M4	1T 310 016
392	Pump double supported	1H 326 125
5081	Straight union T SO	1Y 320 162

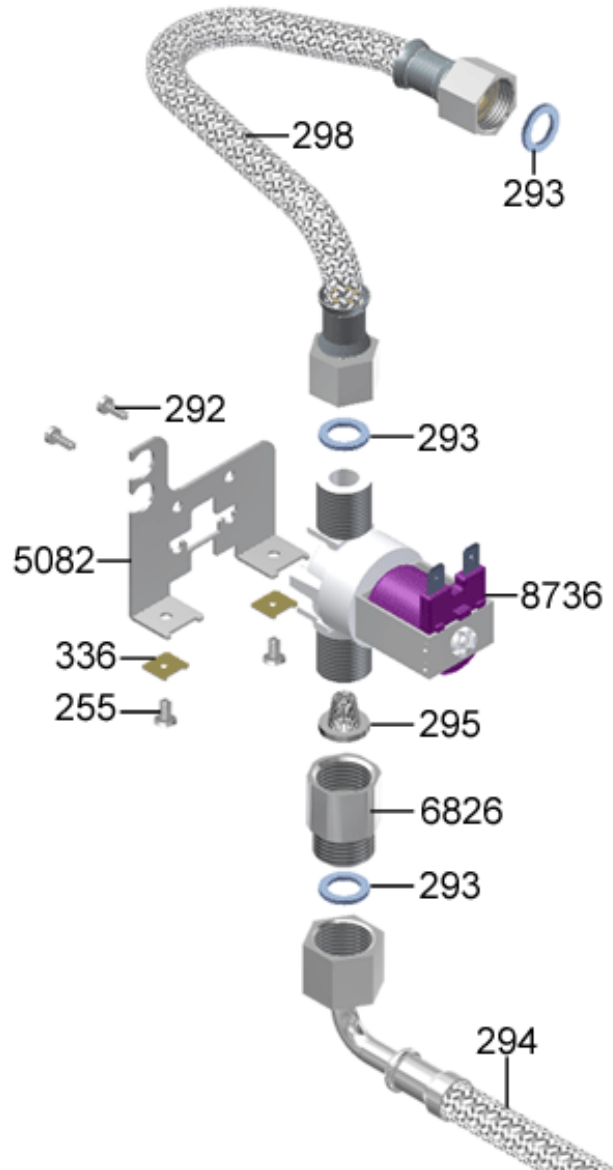
5082	Main water valve retainer	1Y 320 098
5086	Twin nipple 250M-D3/8K	1Y 320 159
5087	Nut SO 00020-6-1/4CV	1T 310 822
5092	Screwed socket 908M-6-1/4	1Y 320 090
5659	Non return valve	1T 311 826
5815	Pressure control 12 bar	BK 321 055
5849	Flow meter with connections	BK 320 839
615	Support bush SO 50003-6-4	1L 301 210
6514	Non return valve G1/4	1T 311 674
6826	Reducing nipple 3/8-3/8	1H 327 271
867268	Replacement cold water valve bloc	867268
8736	Magn valve 24V 1-way	1N 330 372
994	Manometer	10 297 043
998	Screwed elbow	1L 297 004

Sinfonia - Valve



Sinfonia

Hauptwasser Ventil Y33 / Valve general Y33 / Vanne generale Y33



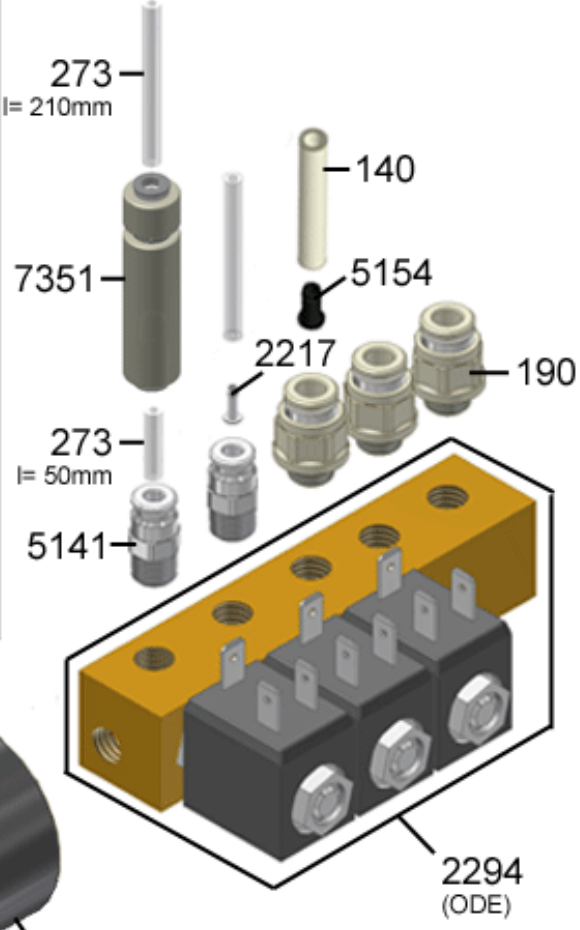
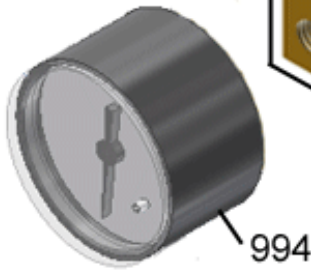
Kaltwasser Ventilblock / Coldwater Valve block / Eau froide vannes

.....
 ab Produktionsdatum März 2007
 from production date March 2007
 à partir de date du production mars 2007

ODE Kaltwasser Ventilblock / Coldwater Valve block /
Eau froide vannes
 ab SN 00018262 / starting from SN 00018262 /
 à partir d'un numéro de série 00018262



Bürkert Kaltwasser Ventilblock /
Coldwater Valve block / Eau froide vannes
 bis SN 00018261 / to SN 00018261 /
 à des numéro de série 00018261

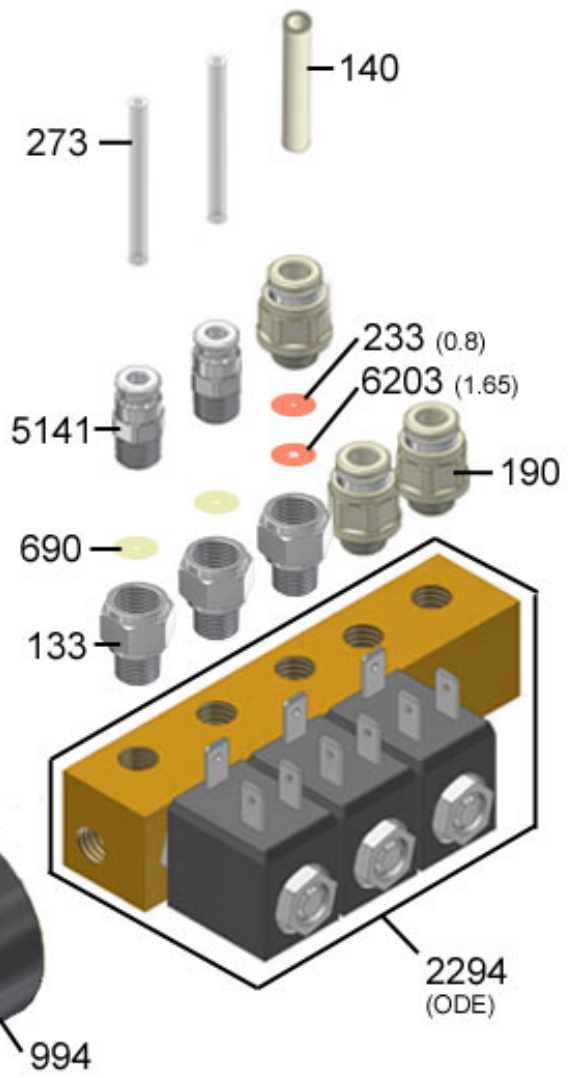
Kaltwasser Ventilblock / Coldwater Valve block / Eau froide vannes

.....
 ab Produktionsdatum Februar 2004
 from production date February 2004
 à partir de date du production février 2004

ODE Kaltwasser Ventilblock / Coldwater Valve block / Eau froide vannes
 ab SN 00018262 / starting from SN 00018262 /
 à partir d'un numéro de série 00018262

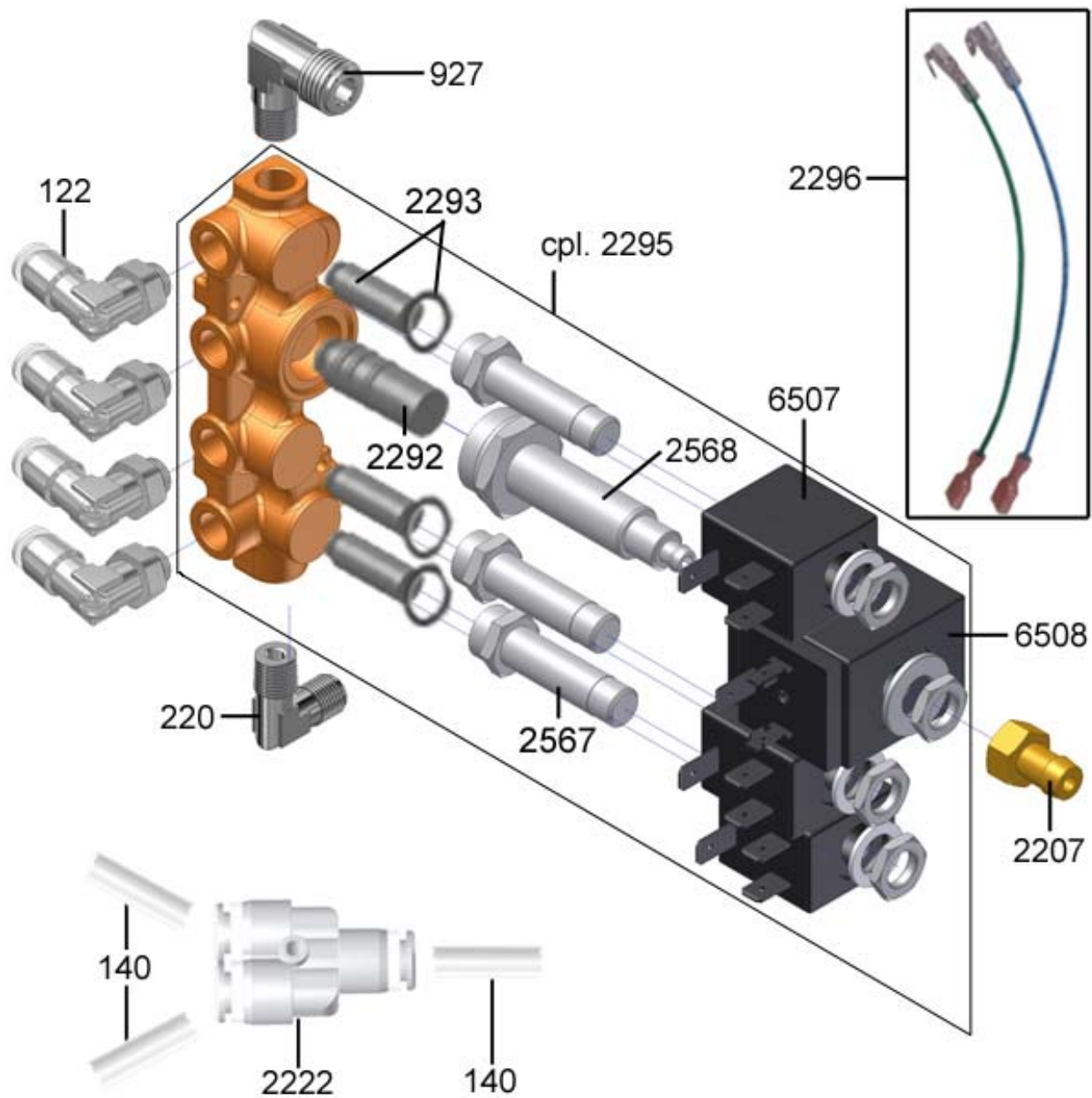


Bürkert Kaltwasser Ventilblock / Coldwater Valve block / Eau froide vannes
 bis SN 00018261 / to SN 00018261 /
 à des numéro de série 00018261

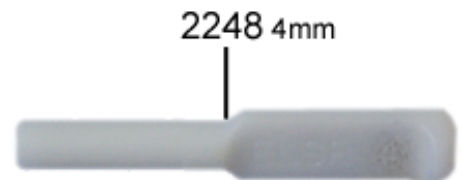
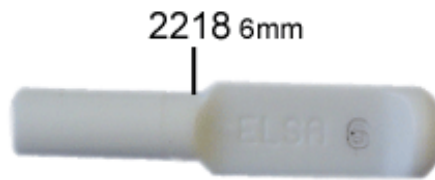
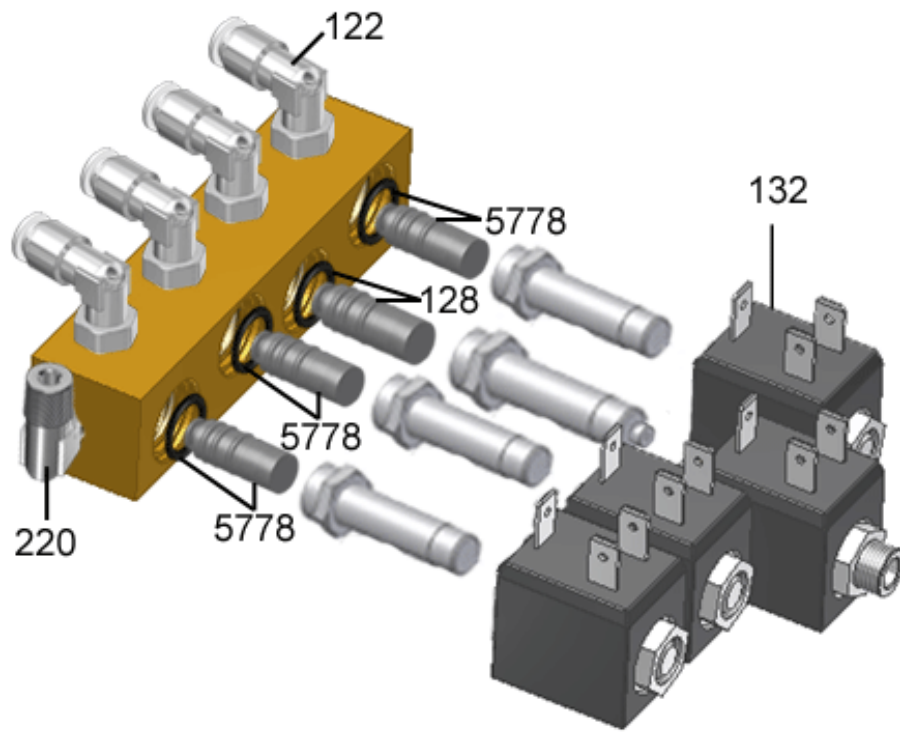
Heisswasser Ventilblock ODE / Hotwater Valve block ODE / Eau chaude vannes ODE

.....
 ab Seriennummer 00016429
 starting from serial number 00016429
 à partir d'un numéro de série 00016429

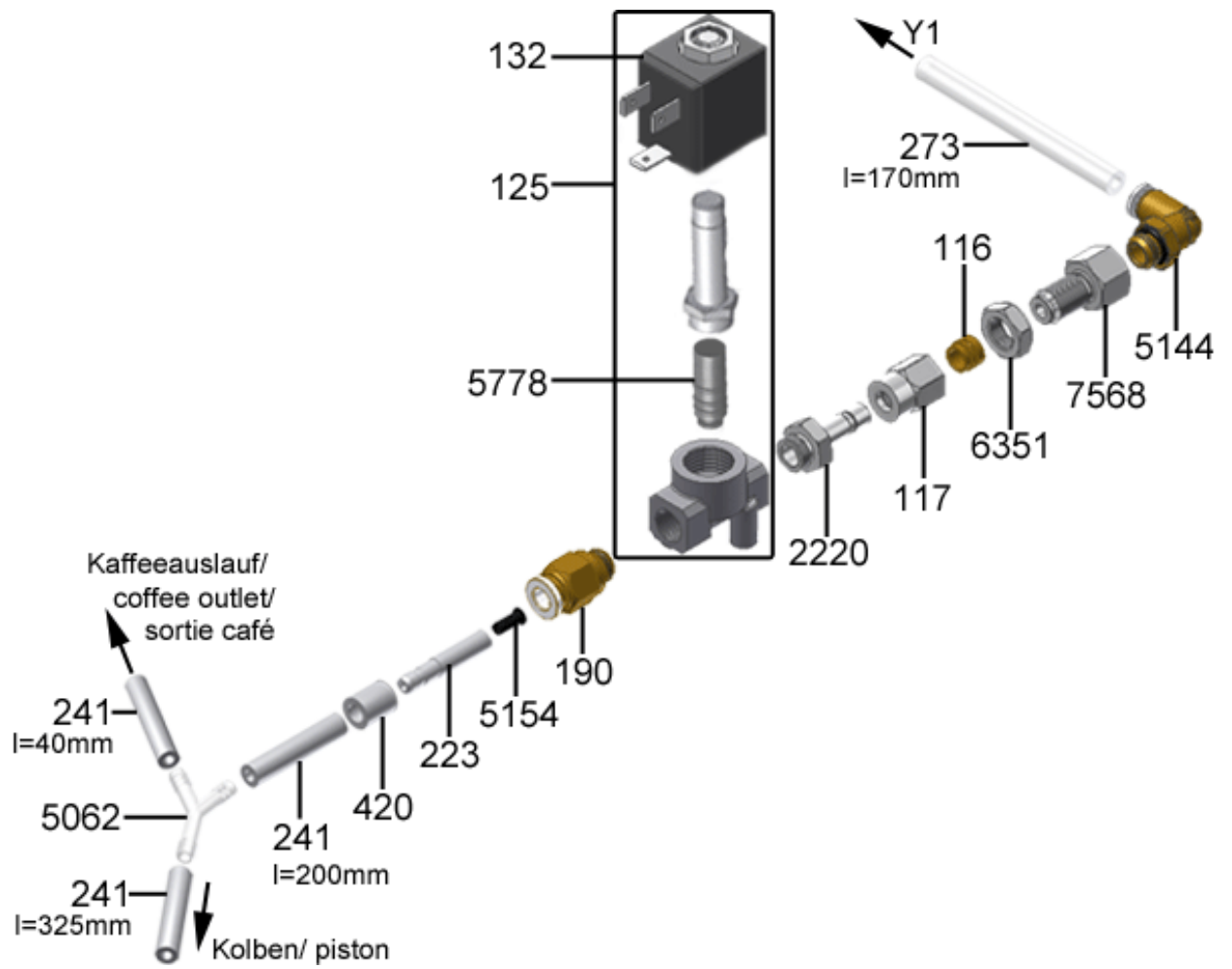


Heisswasser Ventilblock Bürkert / Hotwater Valve block Bürkert / Eau chaude vannes Bürkert

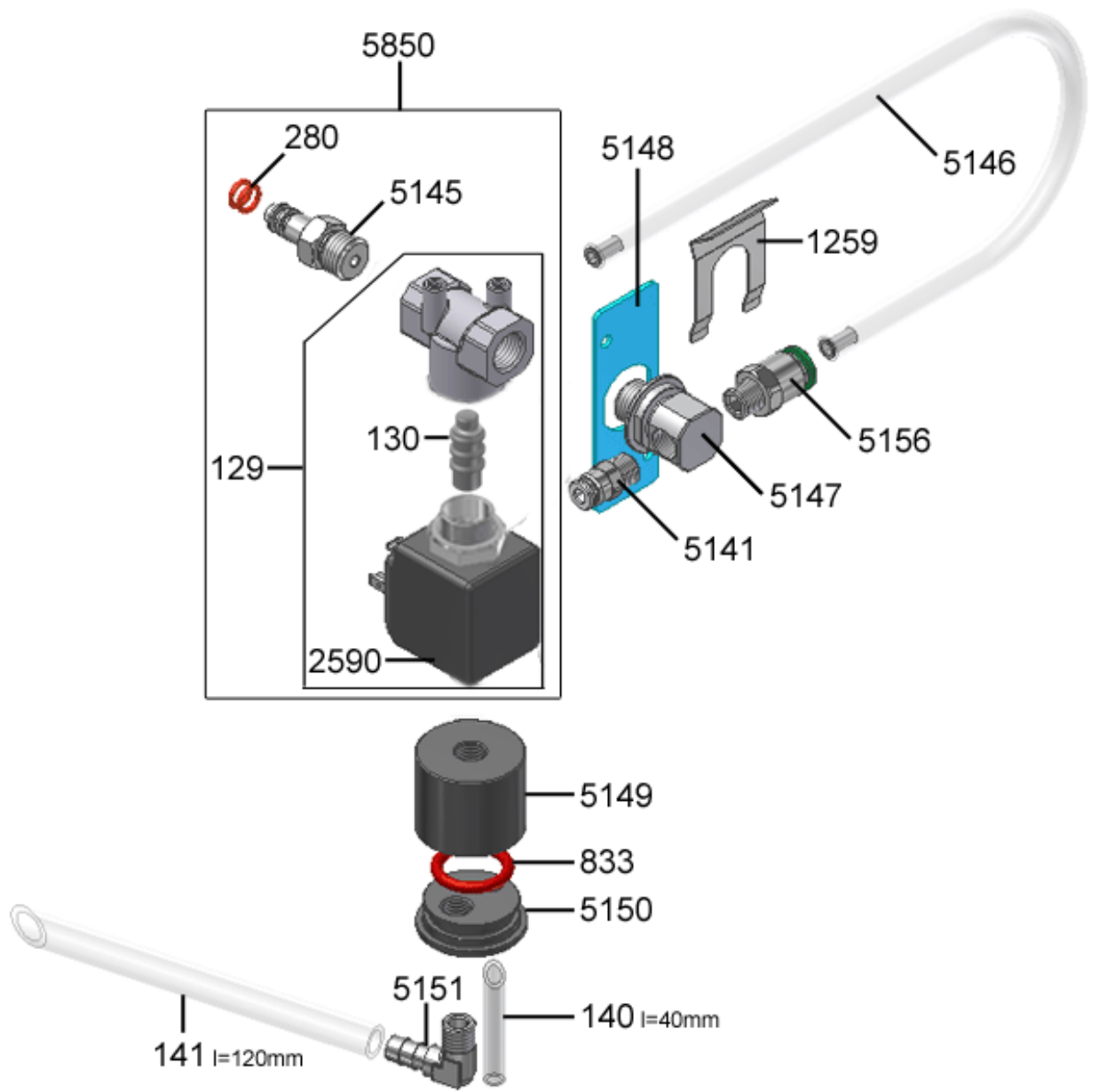
.....
 bis Seriennummer 00016428
 up to serial number 00016428
 jusqu'au numéro de série 00016428



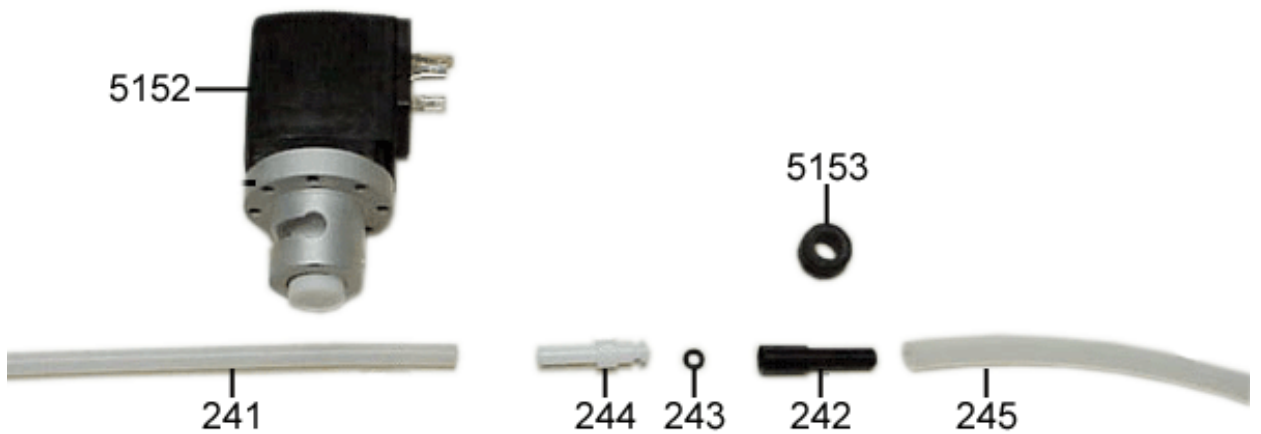
Y3 Ventil By-Pass / Y3 Valve by-pass / Y3 Vanne à by-pass



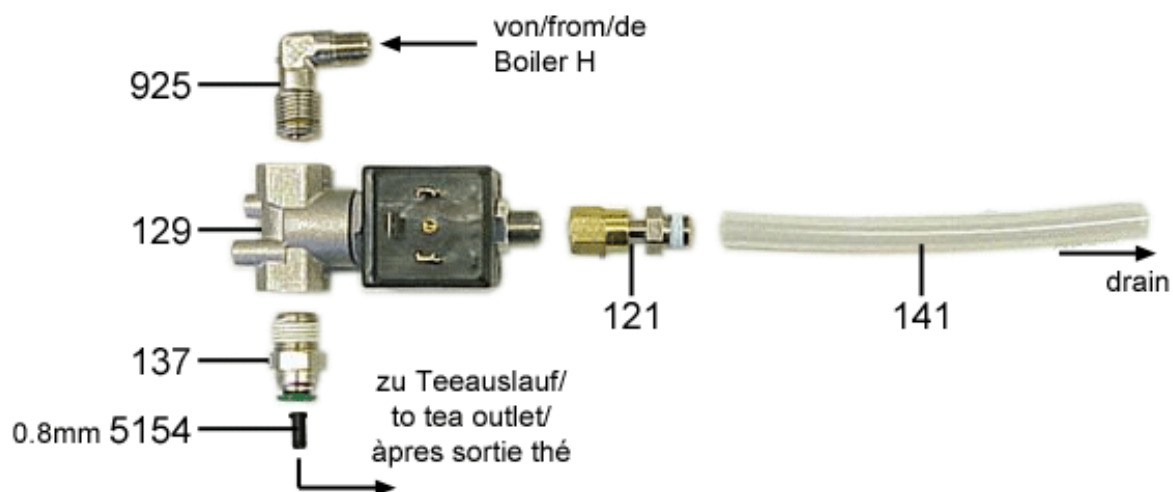
Y1 Kaffeeventil / Y1 Valve coffee / Y1 Vanne café



Ventil Luft Cappu Y31 / Valve air cappu Y31 / Vanne à air-cappu Y31



Gefüllter Teeboiler- Teeventil Y4
Filled Tea Boiler- Tea valve Y4
Boiler eau chaude remplis- valve thé Y4



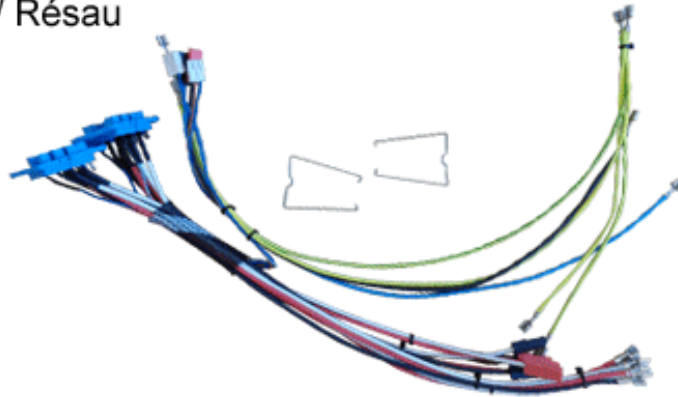
Pos. ▲	Name	Art. No.
116	Locking ring	1T 310 823
117	Nut	1T 310 828
121	Adjusting nipple	1L 299 475
122	Plug-in coupling, rotating	1T 310 134
125	Valve 24V DC (8W) Y4, Y6, Y5, Y30	1T 310 023
1259	Clip for tube guiding	1L 301 391
128	Plunger 3/2-2.4	BK 301 337
129	Valve 3/2 Typ 219 24V DC 12W	1T 310 025
130	Plunger 3/2-1.6	BK 301 336
132	Coil 24V/8W	BK 310 628
133	Transition nipple	1L 300 691
137	Fast coupling	1T 310 133
140	Hose teflon 6x4mm	1T 310 138
141	Hose silicone 10x1,5 mm	BK 300 450
190	Plug-in coupling	1T 310 132
220	Screwed elbow	1L 296 323
2207	Connection nipple to overflow	1T 311 329
2217	Orifice 0.6mm for Hose 2mm	1Y 320 409
2218	Locking pin 971P-6	1T 311 309
2220	Screwed socket 908M-6-1/8	1Y 320 089
2222	Y-Fast coupling	1T 311 310
223	Connection	1T 310 190
2248	Fastener plug 971P-4	1T 311 481
2292	Plunger ODE 3/2	BK 311 489
2293	Plunger ODE 2/2 way	BK 311 488
2294	Cold water valve bloc ODE	1T 311 454
2295	Hotwater valveblock ODE	1T 311 453
2296	Wire Harness valve G Y4	10 300 123
233	Orifice, d=0.8 mm	1L 296 101
241	Silicone hose ID= 3 mm	1L 296 485
242	Connection piece to milk solution C	1L 301 627
243	O-Ring to air nozzle	1L 301 437
244	air nozzle for CT2	1L 301 409
245	Silicone hose ID 8 x 4 mm	1L 300 136
255	Torque screw M4x8 mm	1T 310 040
2567	Plunger guide ODE valve 2/2	BK 311 644
2568	Plunger guide ODE valve 3/2	BK 311 645

2590	Coil to valve 3/2 24V DC	BK 311 605
273	Teflon hose D4x2mm	1L 296 337
280	O-Ring 6.07x1.78 to outlet	1L 301 007
292	Screw	1T 310 858
293	Seal 3/8, 15x10x1.5	1L 297 307
294	Metallic hose	1L 297 184
295	Filter-sieve for valve-mains	1T 310 028
298	Metallic hose	1T 310 011
336	Clip M4	1T 310 016
420	Clamp bushing to Milksystem	1T 310 705
5062	Y distributor	1T 310 489
5082	Main water valve retainer	1Y 320 098
5141	Push-in coupling	1Y 320 087
5144	Elbow screw connection	1Y 320 160
5145	Adapter connector	1Y 320 106
5146	Coffee pipe d=8mm	1Y 320 191
5147	Special union	1Y 320 043
5148	Sale for infusing valve	1Y 320 149
5149	Draining box	1Y 320 107
5150	Cover for draining box	1Y 320 108
5151	Right angle threaded nipple	1Y 320 247
5152	Squeezed tube valve 24V DC	1Y 320 211
5153	Feedthrough grommer DA 80/100/15	10 300 394
5154	Orifice d=4x0.8 black	1Y 320 408
5156	Plug-in coupling 8 mm	1Y 320 406
5778	Plunger 2/2 valve	BK 312 754
5850	Brew valve Sinfonia cpl.	BK 320 840
6203	Orifice 1.65	1H 325 563
6351	Hexagon nut	1T 310 827
6507	Coil ODE valve 2/2	BK 311 646
6508	Coil ODE valve 3/2	BK 311 647
6826	Reducing nipple 3/8-3/8	1H 327 271
690	Orifice 0.7 mm	1T 310 492
7351	Regulating valve	BK 328 597
7568	Reducing	1H 328 953
833	O-Ring D=17,04x3,53	BK 296 849
8736	Magn valve 24V 1-way	1N 330 372
925	Elbow	1L 300 559
927	Elbow	1H 325 299
994	Manometer	10 297 043

Sinfonia - Wiring harness



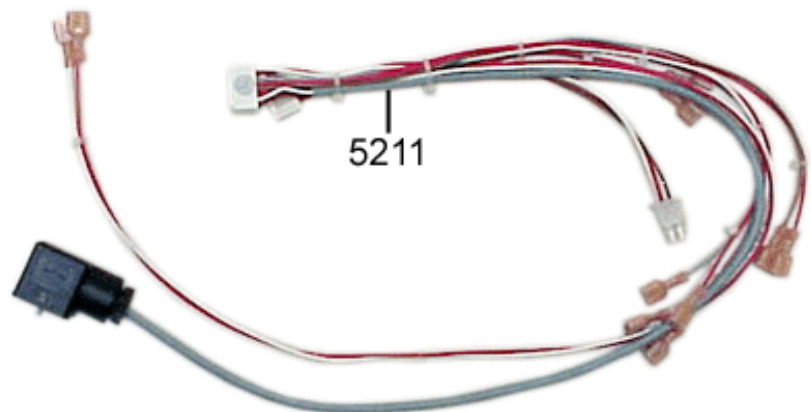
Sinfonia

Netz / Mains / Réseau
5193Heizung Tee, Dampf / Heating tea, steam / Chauffage thé, vapeur
5115Heizung Kaffee / Heating coffee / Chauffage café
5116

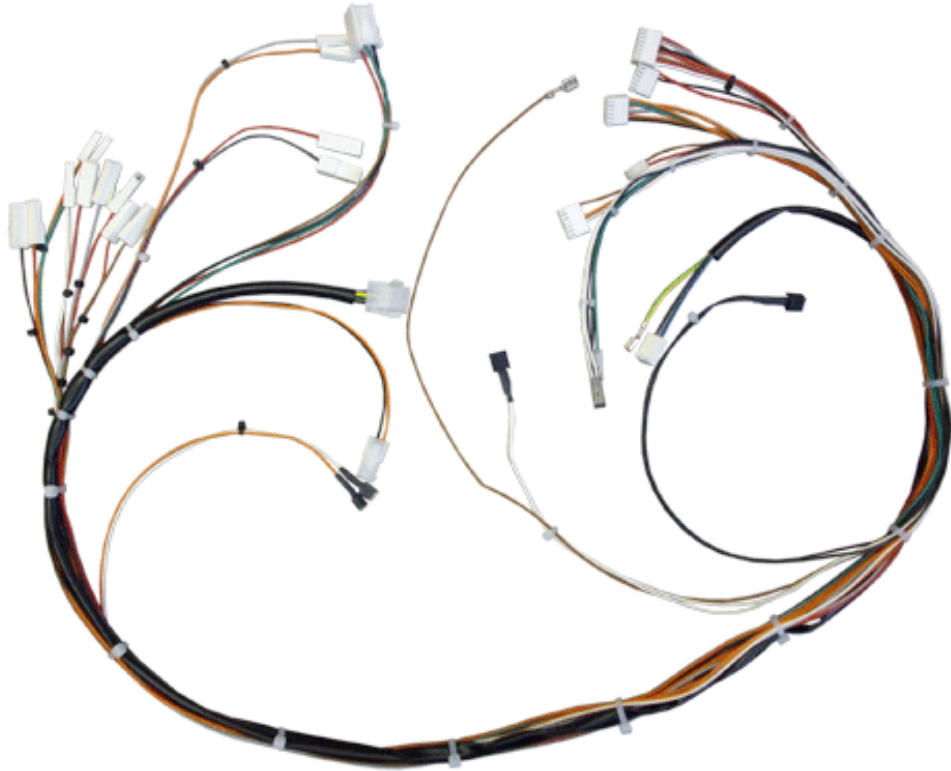
Kaltwasser / Cold water / Eau froide



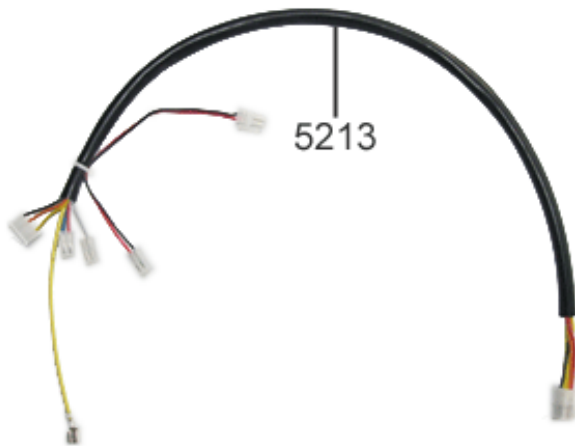
842



Heisswasser, Brühgruppe / Hot water, brewing unit / Eau chaude, groupe d'infusion
5212



.....
Option Milch CF
Option milk CF
Option lait CF
.....

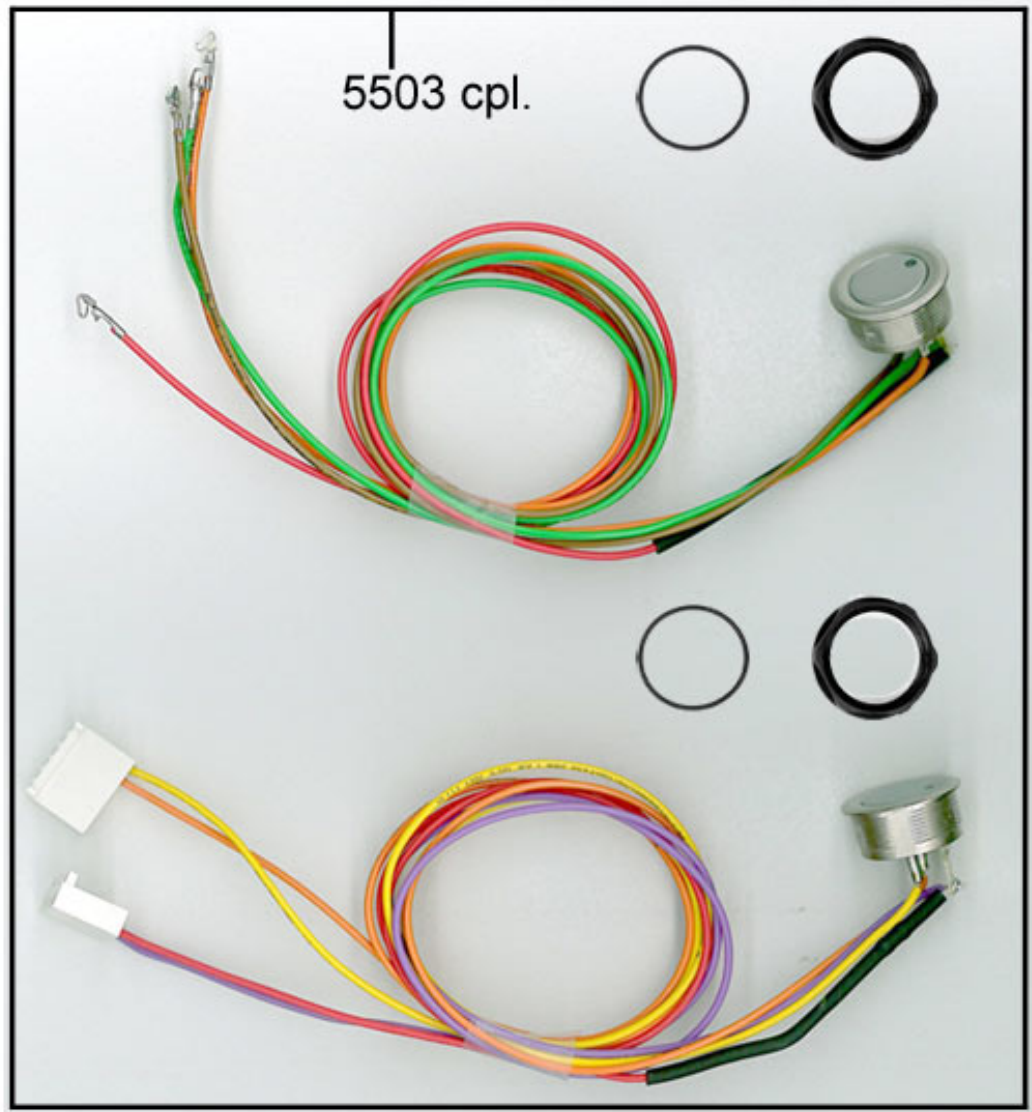




Auslauf / Outlet / Ecoulement
5493



Kabelbaum für Zusatzkosten / Cable harness / Harnais de câbles



Pos. ▲	Name	Art. No.
5115	Cabel lomm Heating tea/steam	1Y 320 100
5116	Cable loom Heating coffee	1Y 320 101
5193	Cable loom Mains	1Y 320 102
5211	Cable loom Cold water	1Y 320 104
5212	Cable loom Hot water/BG	1Y 320 103
5213	Cable loom milk CF	1Y 320 099
5214	Cable loom milk machine	1Y 320 924
5493	Outlet switch cable	BK 320 684
5503	Cable harness	1Y 320 531
842	Attachment plug with cable	10 300 775

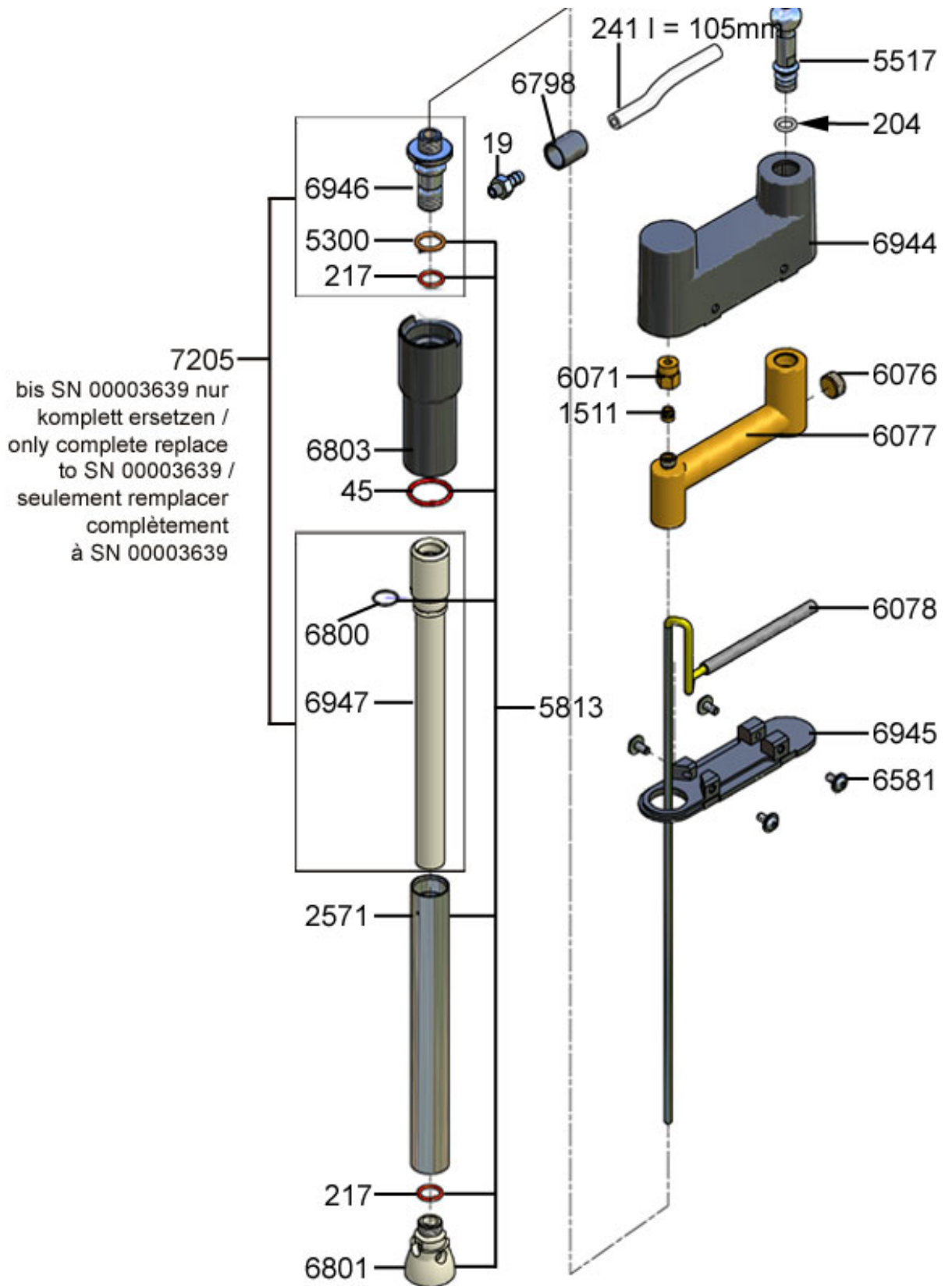
Sinfonia - Autosteam

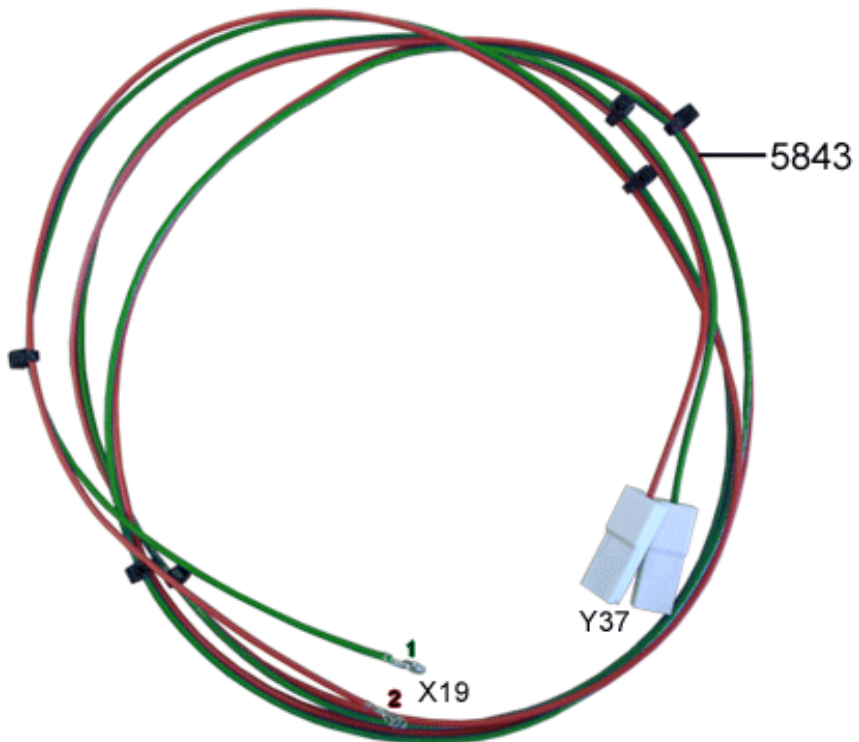
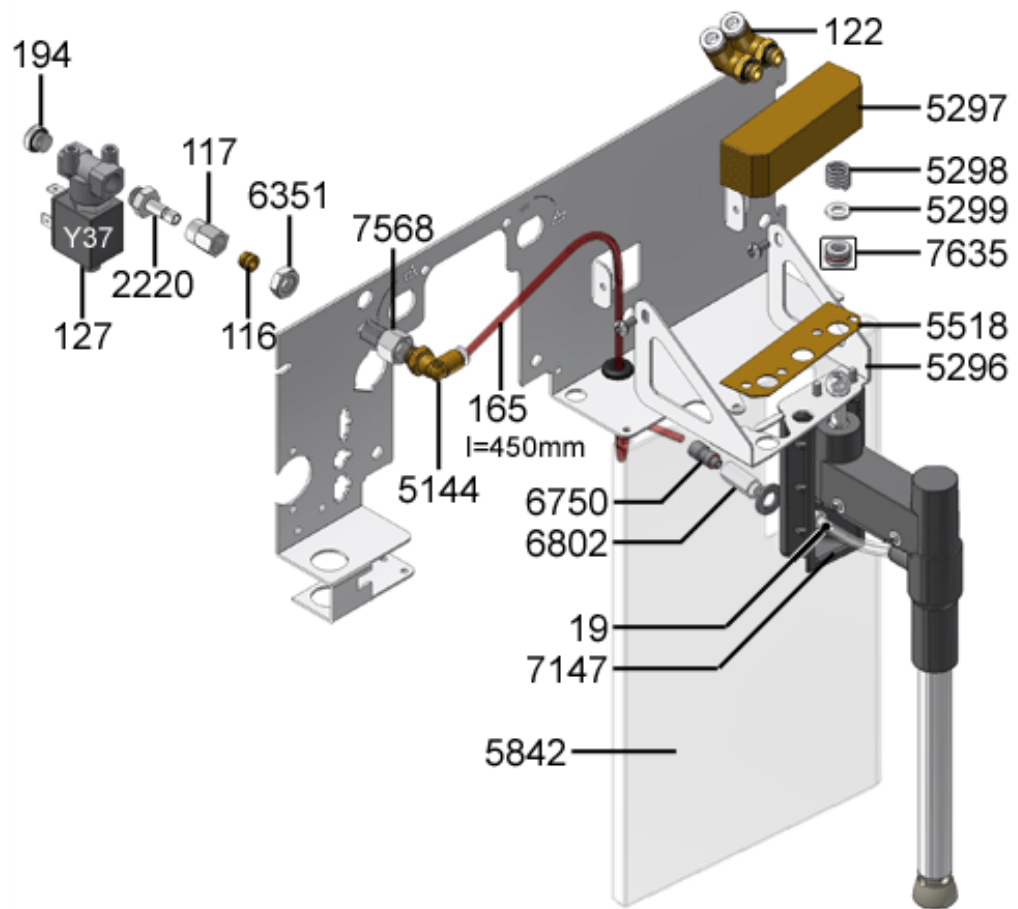


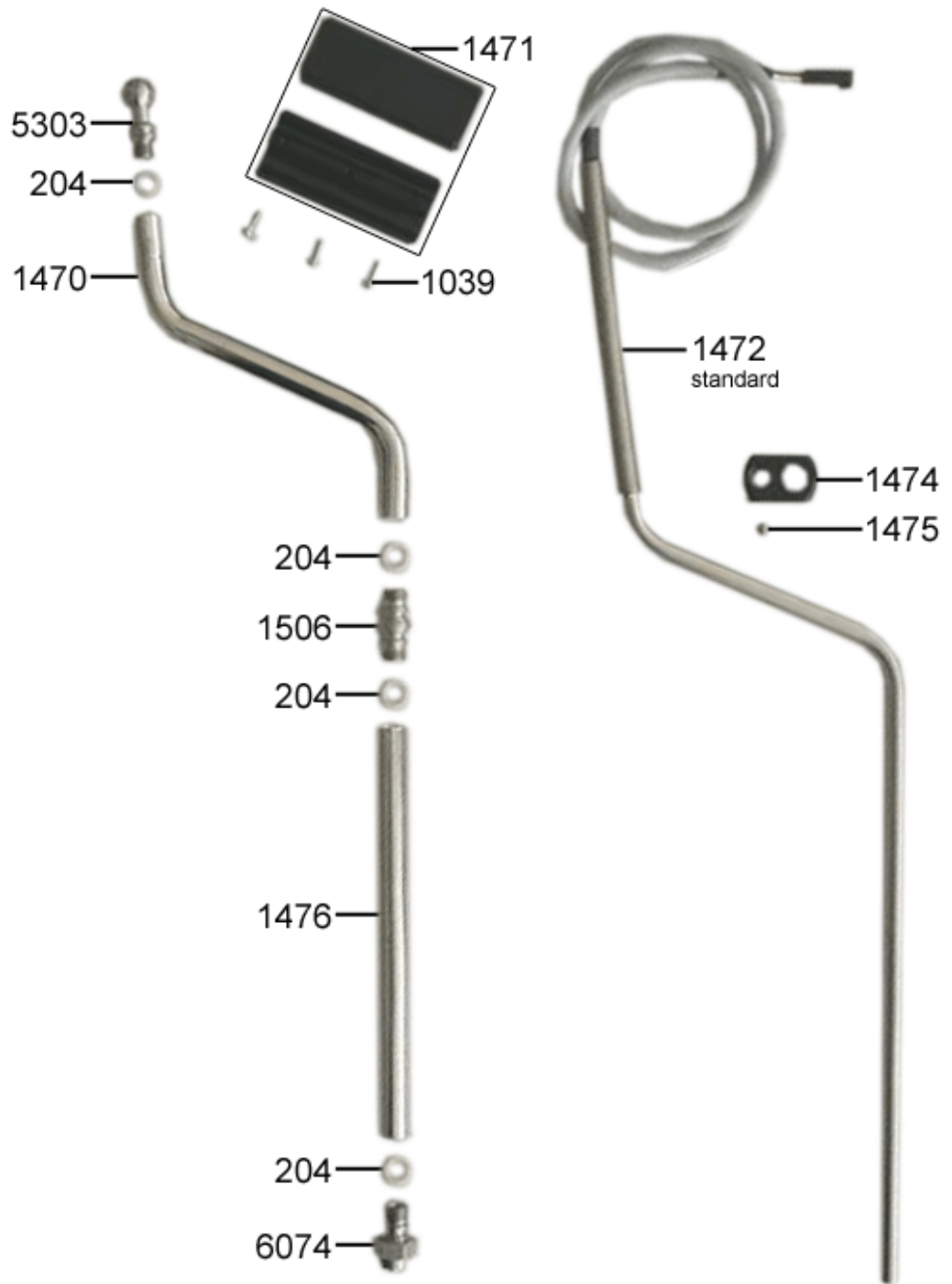
Sinfonia

.....
Autosteam Pro
.....

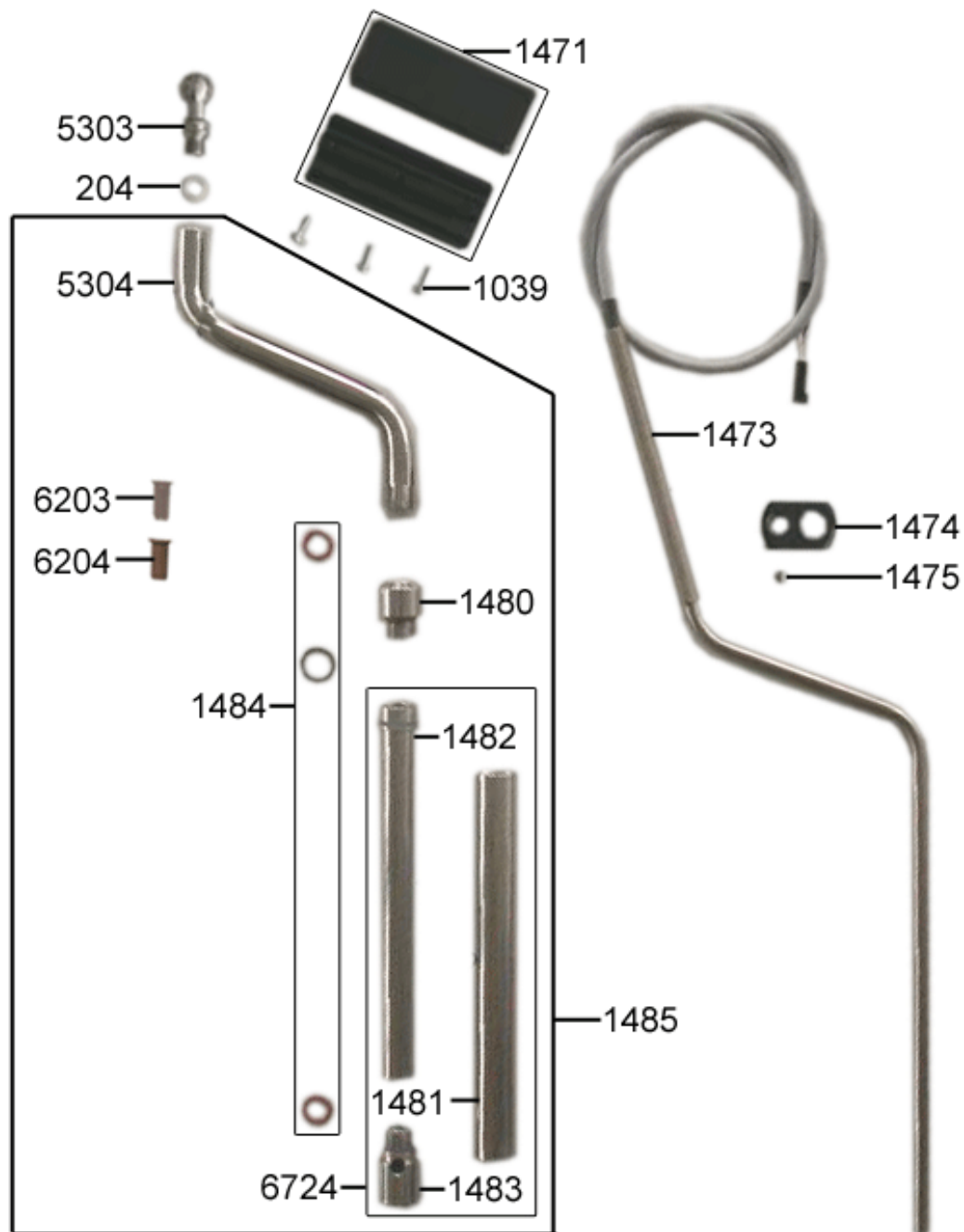
.....
ab Seriennummer 00003640
starting from serial number 00003640
à partir d'un numéro de série 00003640
.....







.....
Aufschäumhilfe / Milkfoam adapter / Aide à mousser
.....



Pos. ▲	Name	Art. No.
1039	PT-screw L-head with cross key 8x25	02 296 476
116	Locking ring	1T 310 823
117	Nut	1T 310 828
122	Plug-in coupling, rotating	1T 310 134
127	Valve 3/2	1T 310 024
1470	Steam pipe bended to Autosteam Sinf	1Y 320 402
1471	Handle to Autosteam Sinfonia	1Y 320 362
1472	Temperature probe to Autosteam	1Y 320 365
1473	Temperature probe to Autosteam long	1Y 320 542
1474	Distance holder Autosteam	1Y 320 363
1475	Crub screw M4x4mm	1Y 320 488
1476	Tube to Autosteam Sinfonia	1Y 320 403
1480	Steam pipe adapter polished	1H 325 252
1481	Sleeve with cross-hole	1H 325 210
1482	Steam pipe extension polished	1H 325 147
1483	Steam nozzle	1H 325 556

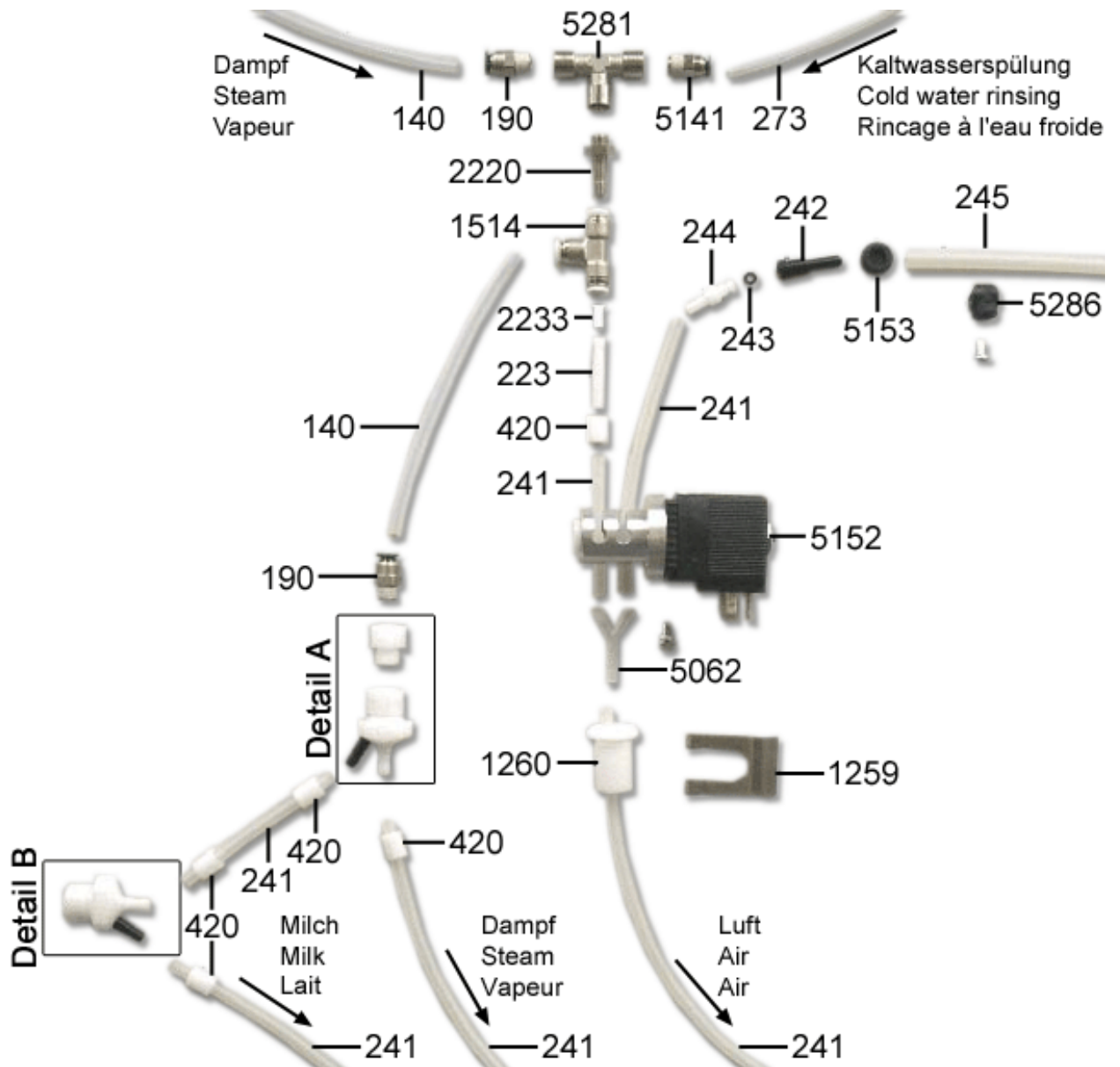
1484	O-ring set	1H 325 183
1485	Milkfoam adapter set	1H 325 255
1506	Steam pipe intermediary Autosteam	1T 310 961
1511	Clamping ring SO 40001-3D	1T 310 813
165	Hose teflon 4x2.5mm	1H 325 406
19	Screw in spout	1T 310 204
194	Locking screw	1L 300 688
204	O-ring d=5.5x1.5 mm	1L 296 308
217	O-Ring 8x1.5	1H 325 446
2220	Screwed socket 908M-6-1/8	1Y 320 089
241	Silicone hose ID= 3 mm	1L 296 485
2571	Sleeve autosteam	1T 311 636
45	O-Ring 15,6 x 1,78 mm	1T 310 648
5143	Reducing nipple	1Y 320 163
5144	Elbow screw connection	1Y 320 160
5296	Water-steam support	1Y 320 078
5297	Water - steam distributor	1Y 320 023
5298	Compression spring	1Y 320 028
5299	U-washer A2/A4 without chamfer	1Y 320 027
5300	O-Ring 9.25 x 1.78 mm	1Y 320 026
5303	pipe Universal joint for tea-steam	1Y 320 024
5304	Tea pipe	1Y 320 079
5517	Ball and socket joint long	1Y 320 724
5518	Brass plate for steam outlet	1Y 320 537
5813	ASP Customer Set McD	BK 321 203
5842	Door Autosteam Pro	1Y 320 721
5843	Cable harn. for changeover valve	1Y 320 396
6071	Connection nut for tea outlet	1H 325 333
6074	Steam nozzle	1H 325 040
6076	Screw plug	1H 325 358
6077	Steam outlet	1H 325 334
6078	Auto steam temperature sensor	1H 325 337
6203	Orifice 1.65	1H 325 563
6204	Orifice 1.75	1H 325 564
6351	Hexagon nut	1T 310 827
6581	Torx Lens-head screw M3x6	1H 326 379
6724	changepipe mont.	1H 325 574
6750	Quick connect coupling	1H 326 124
6798	Clamp bushing	1H 326 642
6800	O-Ring 10x1.3	1H 325 447
6801	Steam nozzle	1H 326 559
6802	Distance piece	1H 326 621
6803	Air pipe adapter	1H 326 558
6944	Hand guard top	1H 327 447
6945	Hand guard bottom	1H 327 446
6946	Steam pipe adapter	1H 327 456
6947	Steam pipe	1Y 320 899
7147	Grip reworking	BK 321 179
7205	Steam pipe cpl.	BK 327 465
7568	Reducing	1H 328 953
7635	Universal joint with O-Ring	BK 329 245

Sinfonia - Milk system CF

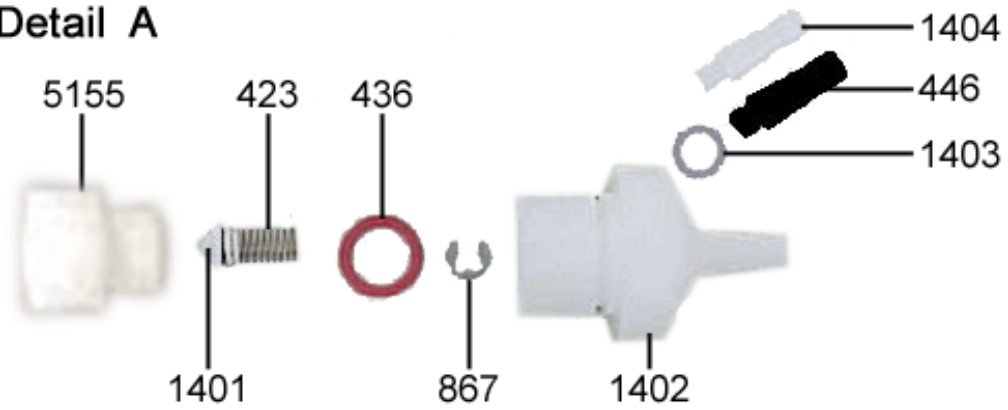


Sinfonia

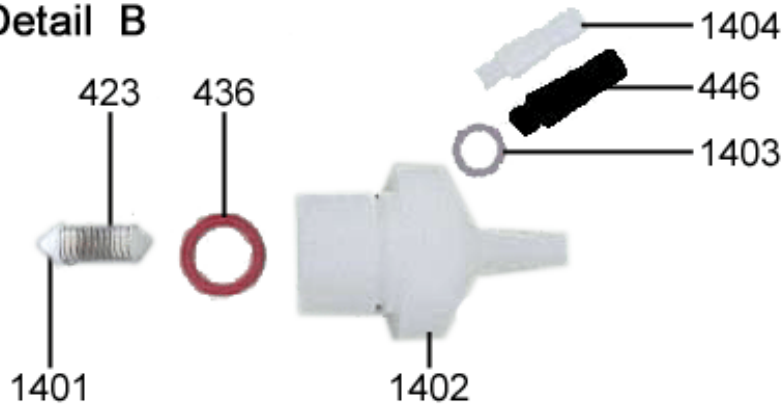
.....
 Kaffeemaschine
 Coffee machine
 Machine à café



Detail A



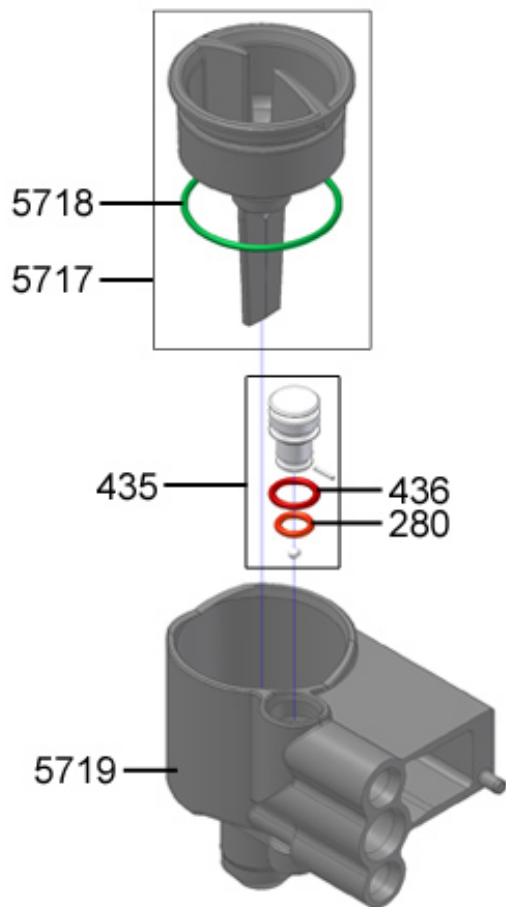
Detail B



Einzelauslauf / Single Outlet / Ecoulement Single

CF / MUT XFMS

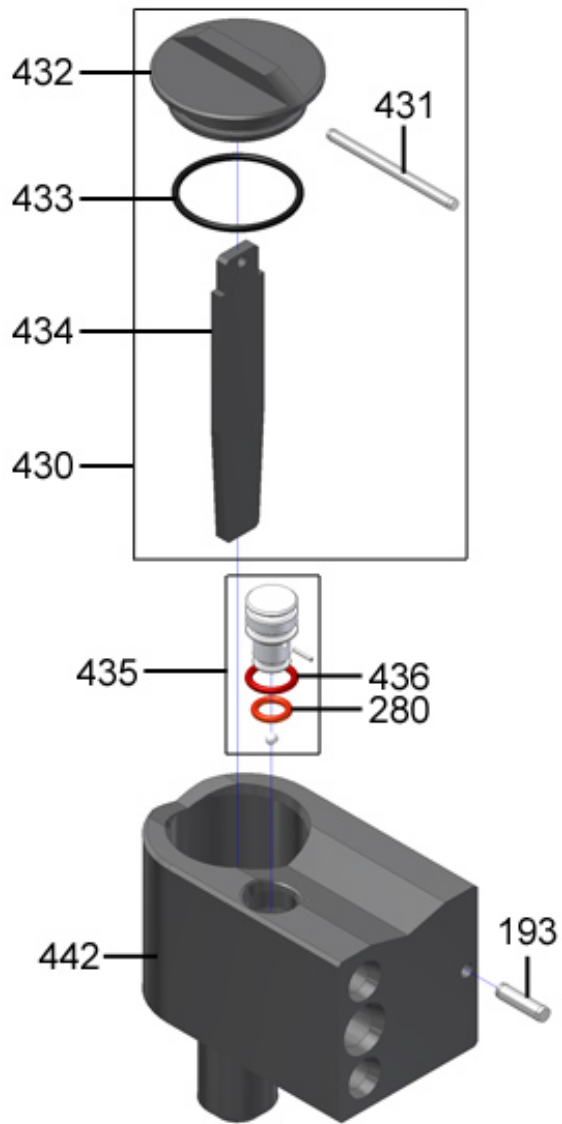
.....
ab Seriennummer 00003865
starting from serial number 00003865
à partir d'un numéro de série 00003865
.....



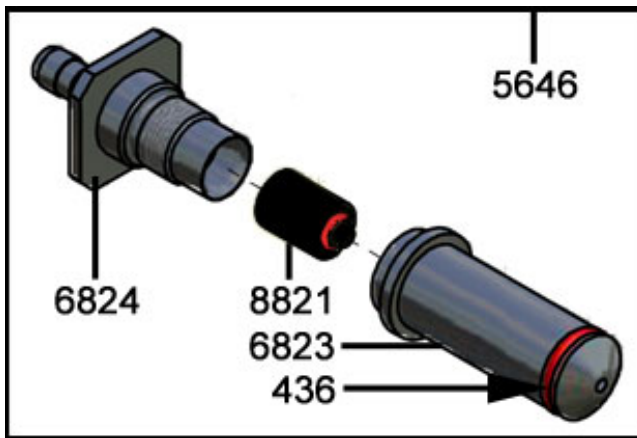
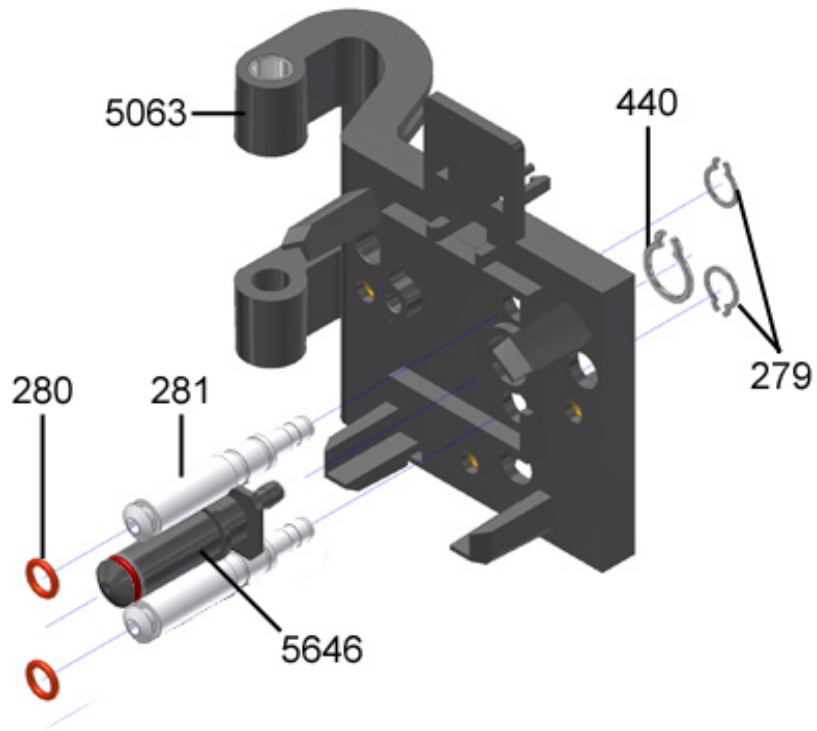
cpl. 5716

CF / MUT XFMS

.....
ab Produktionsdatum November 2005
from production date November 2005
à partir de date du production novembre 2005
.....

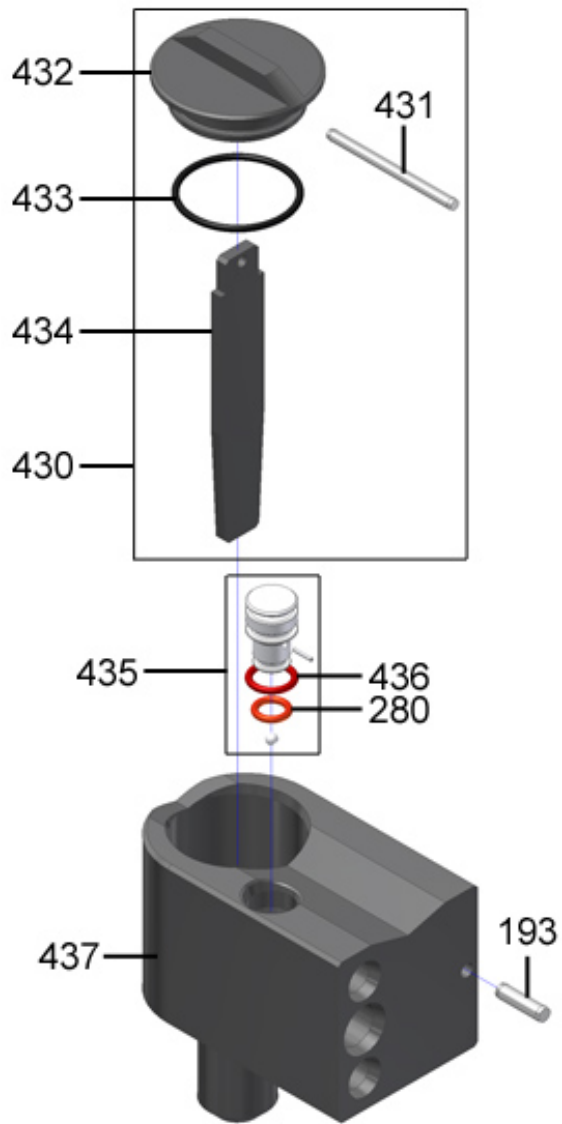


cpl. 443

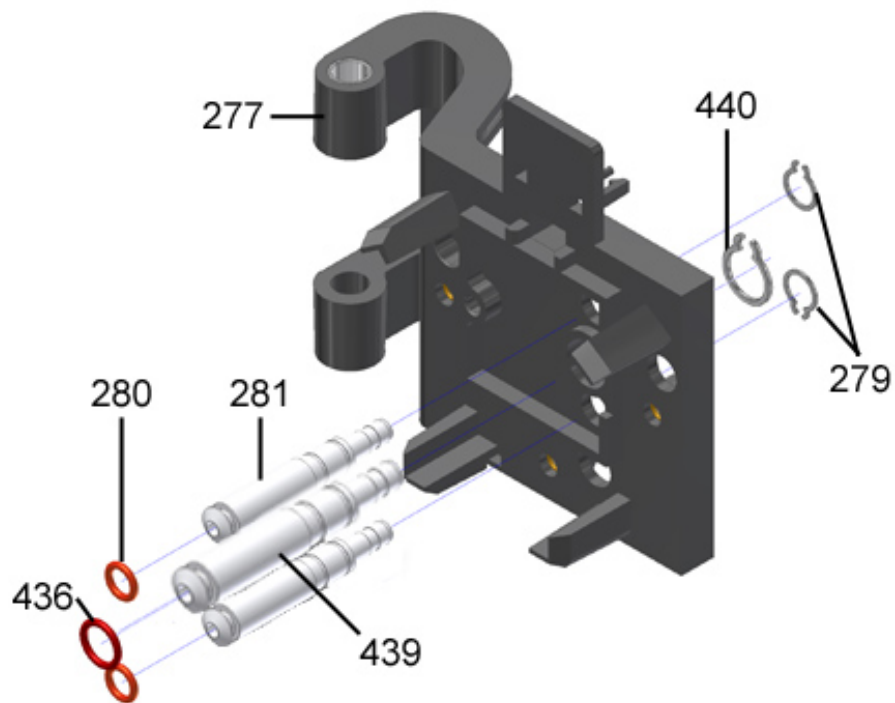


Einzelauslauf / Single Outlet / Ecoulement Single

CF1 / CF 2 / CF



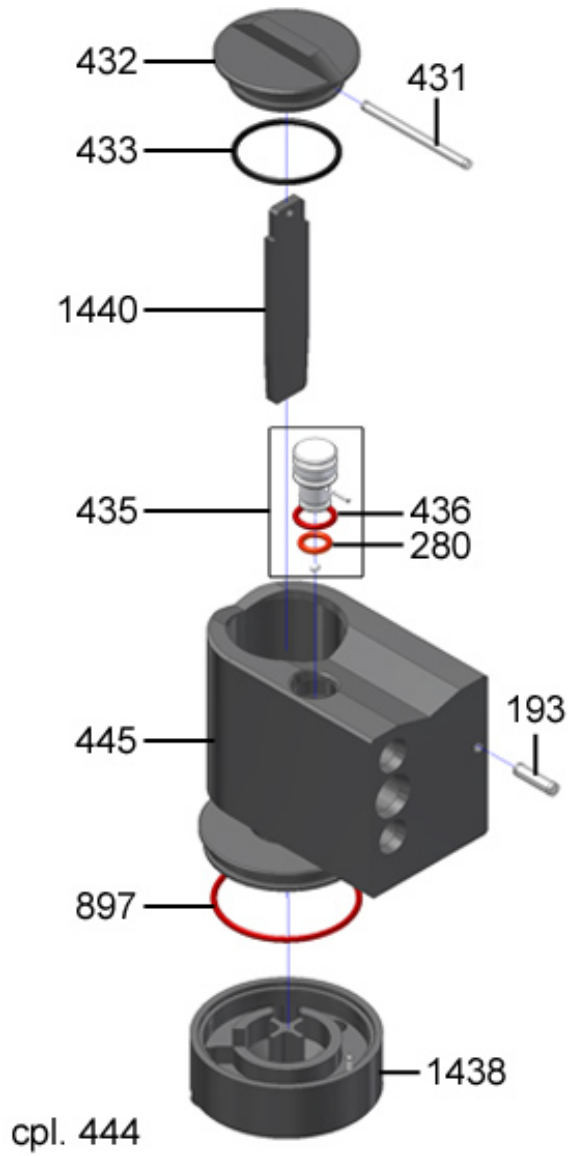
cpl. 429



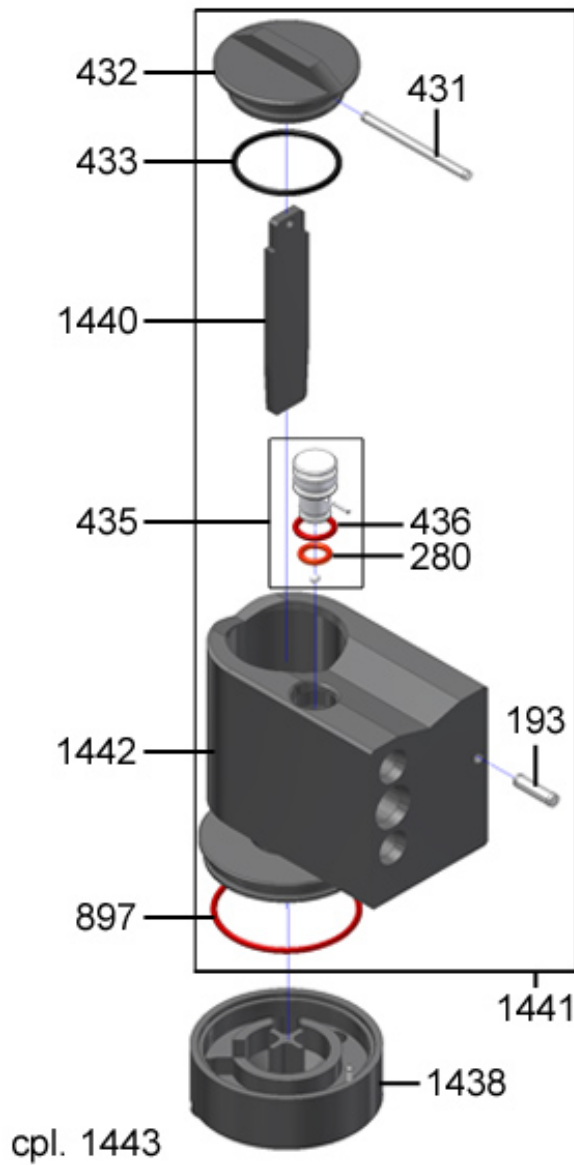
Doppelauslauf / Double Outlet / Ecoulement Double

CF / MUT XFMS

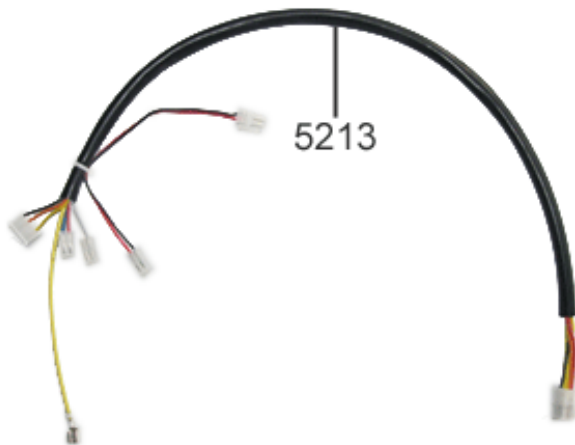
.....
ab Produktionsdatum November 2005
from production date November 2005
à partir de date du production novembre 2005
.....



CF1 / CF2 / CF

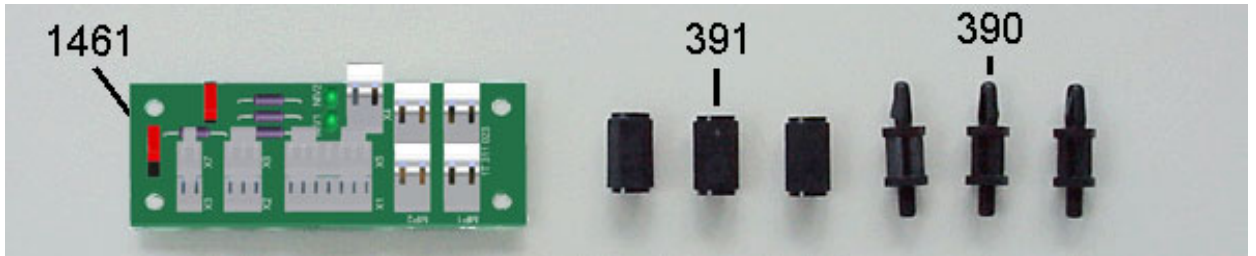


.....
Option Milch CF
Option milk CF
Option lait CF
.....

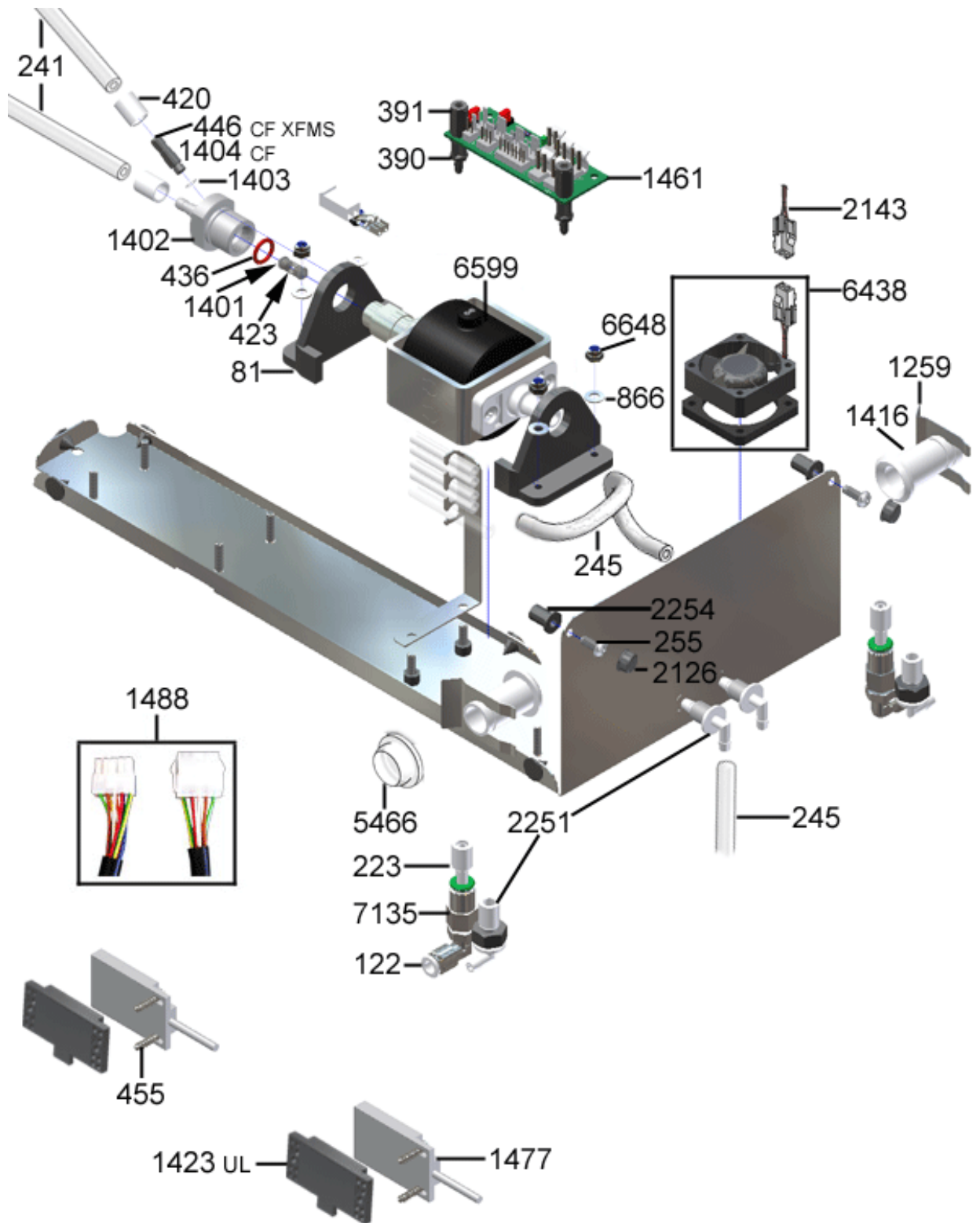




.....
Kühleinheit
Refrigerator unit
Unité de réfrigération
.....

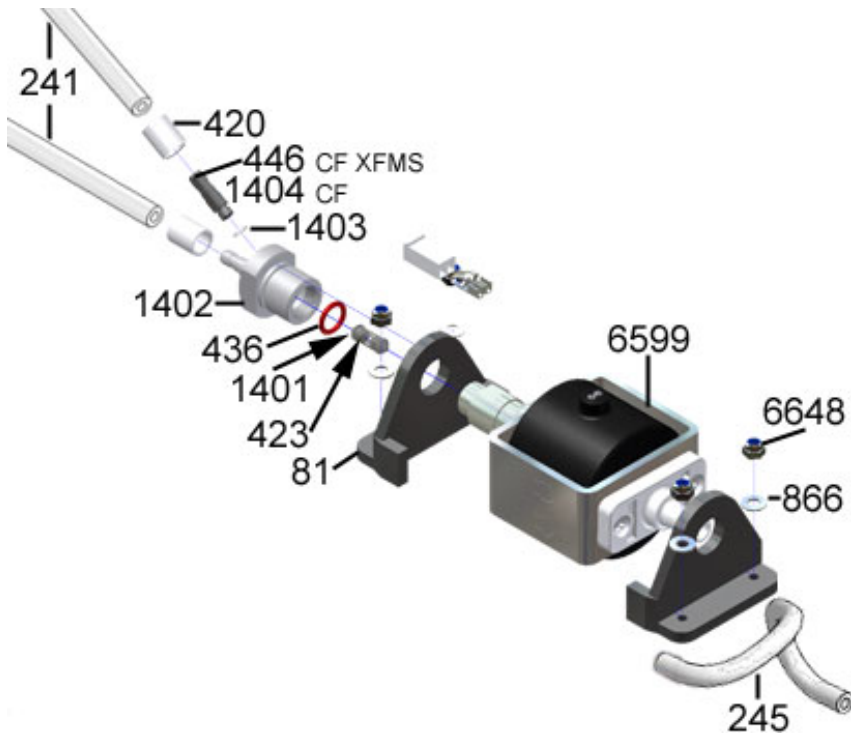


Side fridge F 13" / Kühleinheit 320 / Unité réfrigérateur 320

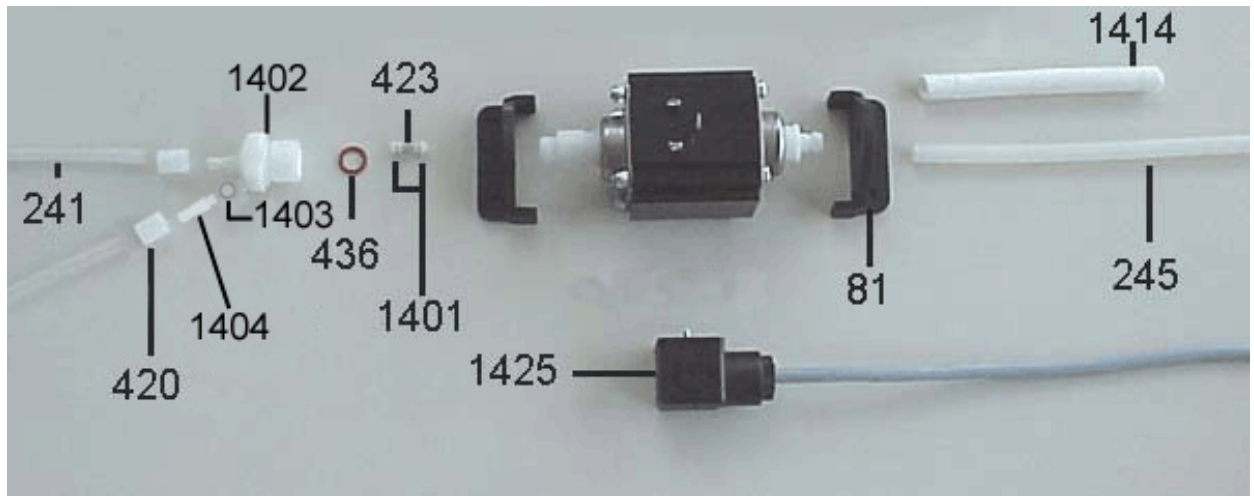


KE225

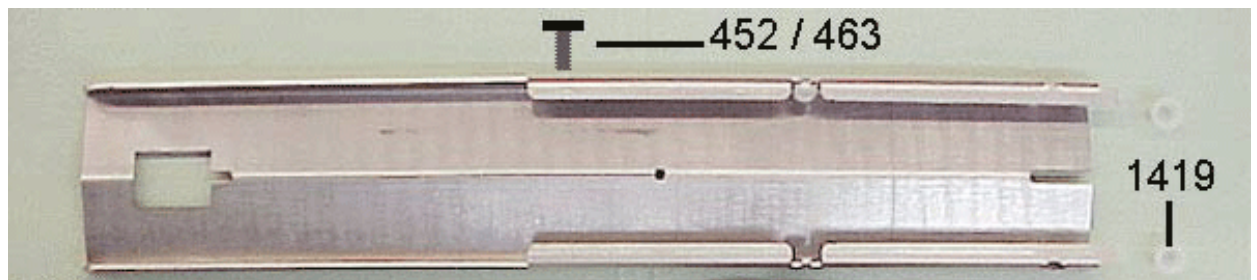
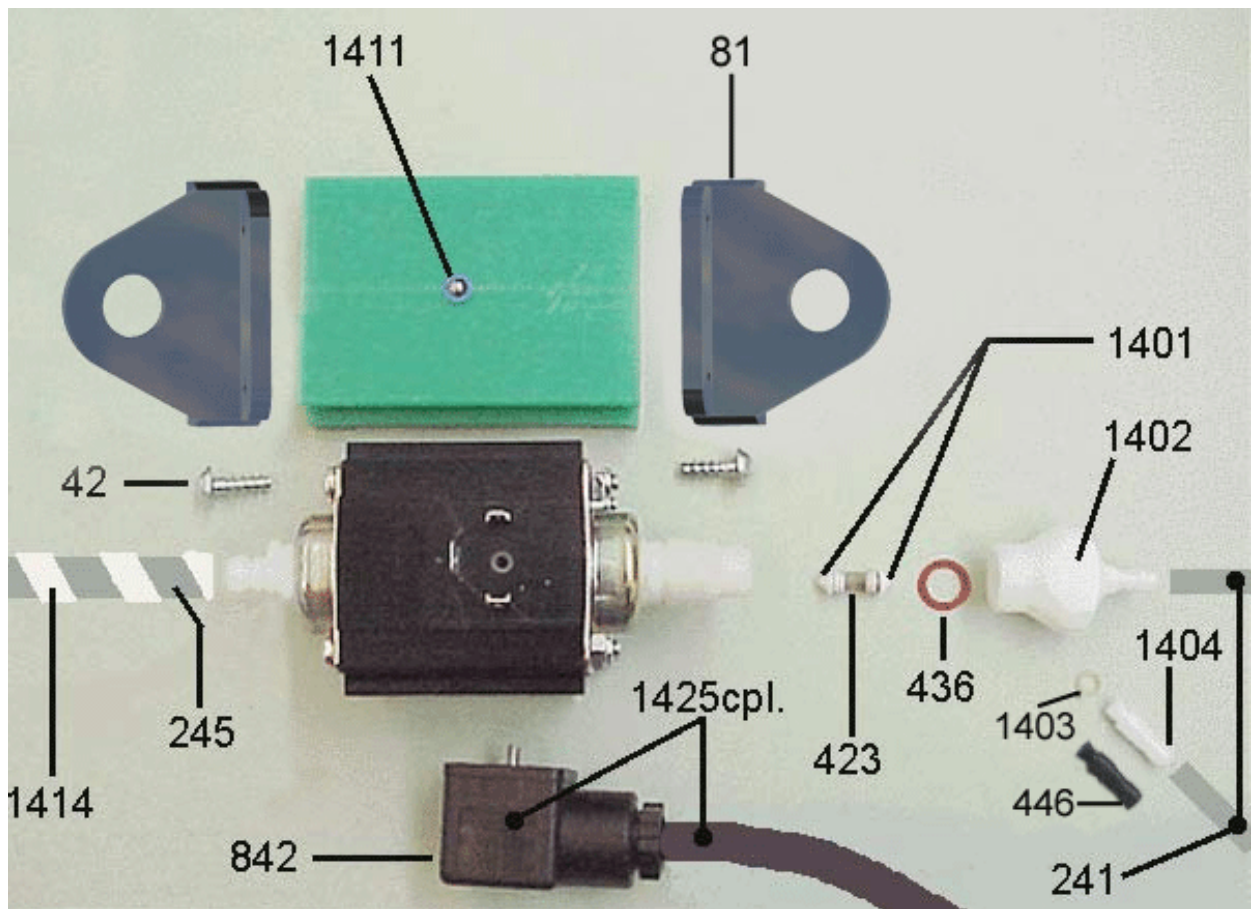
.....
 ab Seriennummer 038.4.0.5133 (29.01.2008)
 starting from serial number 038.4.0.5133 (29.01.2008)
 à partir d'un numéro de série 038.4.0.5133 (29.01.2008)



.....
 bis Produktionsdatum 29.01.2008
 to production date 29.01.2008
 à de date du production 29.01.2008



.....
 bis Produktionsdatum August 2004
 to production date August 2004
 à de date du production août 2004



Pos. ▲	Name	Art. No.
1060	hex screw M4	02 224 002
122	Plug-in coupling, rotating	1T 310 134
1259	Clip for tube guiding	1L 301 391
1260	Tube guiding short to Ecolino Lengt	1L 301 387
140	Hose teflon 6x4mm	1T 310 138
1401	Seal cone	1T 310 622
1402	Body for double safety valve for sy	1T 310 618
1403	O-Ring 4x1mm	1T 310 645
1404	Connector	1T 310 619
1411	Spring pressure piece M8	1T 310 706
1414	Flexible tube 285 mm white	1T 311 119
1416	Tube guiding long, length:82mm	1L 301 388
1419	Plug 7,5mm	1T 310 640
1423	Readswitch capacitive with plug	10 301 369
1425	Cable to milkpump cpl	1T 311 113
1438	Bottom for double outlet Cappuccina	1T 311 036
1440	Short guide to double outlet	1T 311 047
1441	CF foamer head to double outlet	BK 311 049
1442	Cappuhousing	1T 311 046

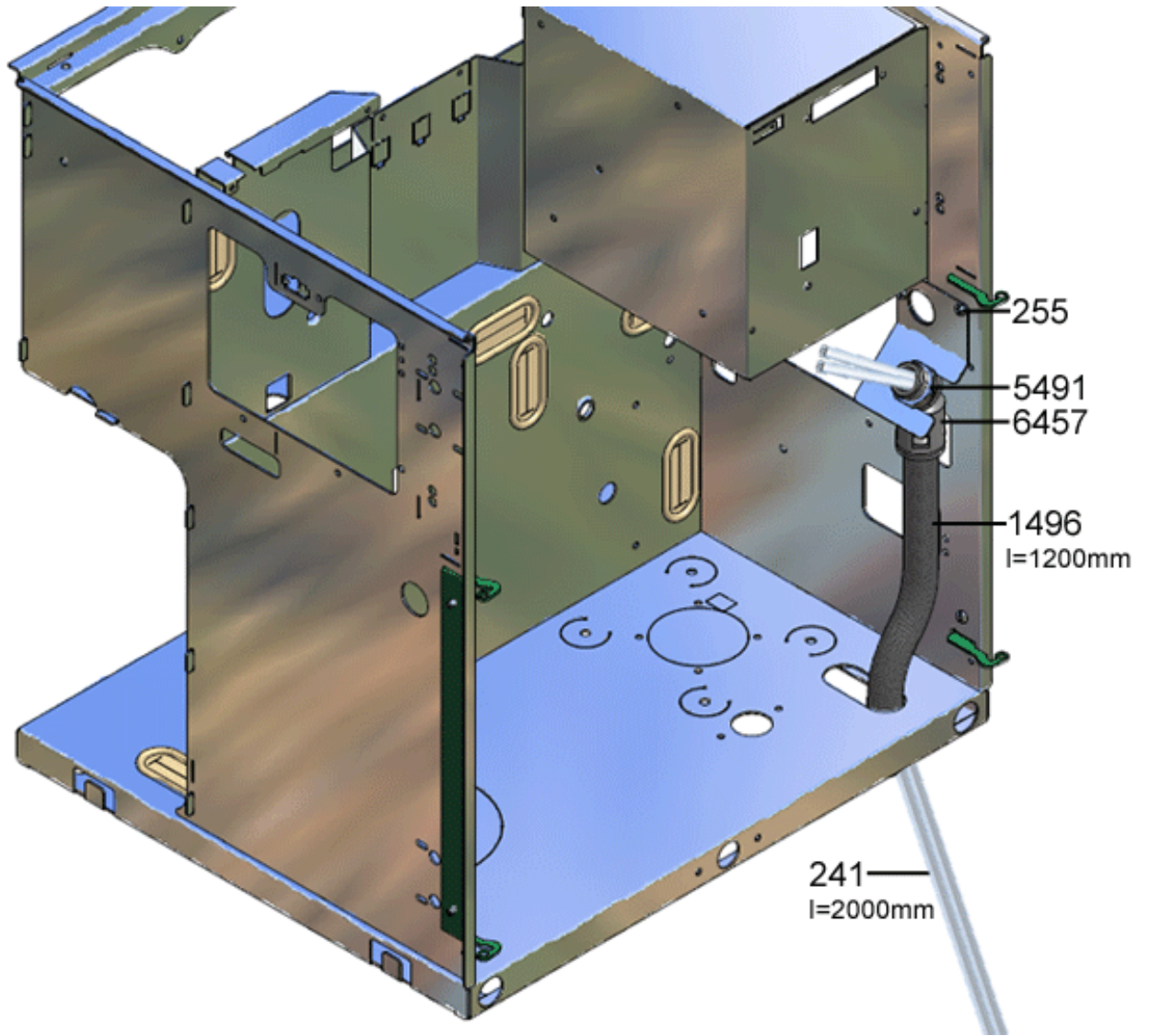
1443	CF foamer head with double outlet	BK 311 048
1461	Mini-milk printed circuit board	1T 311 023
1467	Bush 120/180/10	10 300 346
1477	Readswitch capacitive	10 301 813
1488	Milk cable extension MUT Sin.	1Y 320 495
1514	T-connection d=6mm	1L 301 418
190	Plug-in coupling	1T 310 132
193	Bolt	1T 310 107
2126	Clamp Radolid PE black	1T 311 345
2143	Cable to cross flow radiator fan	1T 311 096
2220	Screwed socket 908M-6-1/8	1Y 320 089
223	Connection	1T 310 190
2233	Orifice 0.6mm for Hose 4mm	1Y 320 473
2251	Elbow fitting	1T 311 551
2252	Pan head screw M4x12 M 4x12	02 221 757
2253	Hose retainer 8mm	1Y 320 451
2254	Blind rivet	1Y 320 487
241	Silicone hose ID= 3 mm	1L 296 485
242	Connection piece to milk solution C	1L 301 627
243	O-Ring to air nozzle	1L 301 437
244	air nozzle for CT2	1L 301 409
245	Silicone hose ID 8 x 4 mm	1L 300 136
246	Cable fastener	10 298 421
255	Torque screw M4x8 mm	1T 310 040
273	Teflon hose D4x2mm	1L 296 337
277	Sledge to outlet	1L 301 009
279	Circlip Ø8mm	1L 301 008
280	O-Ring 6.07x1.78 to outlet	1L 301 007
281	Coupling half to outlet	1L 301 010
390	Distance bolt	1T 310 383
391	Distance bolt	1T 310 384
42	Torx screw	1T 310 401
420	Clamp bushing to Milksystem	1T 310 705
423	Spring to Milksystem	1T 310 644
429	CF foamer head compl.	BK 311 057
430	Cappu cover compl. Milch 2000	1T 310 625
431	Pin D=3x40mm	1T 310 707
432	Cappu cover Milch 2000	1T 310 691
433	O-Ring 26.7x1.78mm	1T 310 646
434	Guide to Cappu cover	1T 310 690
435	Nozzle to Milksystem	1T 310 624
436	O-Ring D=8,73x1,78	BK 310 192
437	Housing Cappuccinatore Milch 2000	1T 310 626
439	Coupling	1T 310 621
440	Circlip Ø12mm	1L 301 531
442	Housing cappuccinatore CF XFMS	1Y 320 543
443	CF foamer head complete XFMS	BK 311 526
444	Cappuccino head double XFMS	BK 312 554
445	Cappuhousing CF to double outlet	1T 312 548
446	Connector black XFMS zu Milch 200	1Y 320 546
452	Knurling-top M4	1T 310 086
455	Screw PT with raised counter sunk K	1T 310 791
463	Pan head screw M4x8	02 221 703
5062	Y distributor	1T 310 489
5063	Slide rework	1Y 320 115
5141	Push-in coupling	1Y 320 087
5152	Squeezed tube valve 24V DC	1Y 320 211
5153	Feedthrough grommer DA 80/100/15	10 300 394
5155	Reduction with inside thread	1Y 320 576

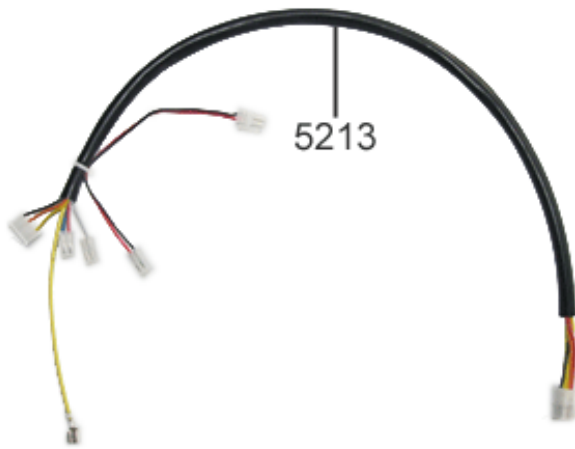
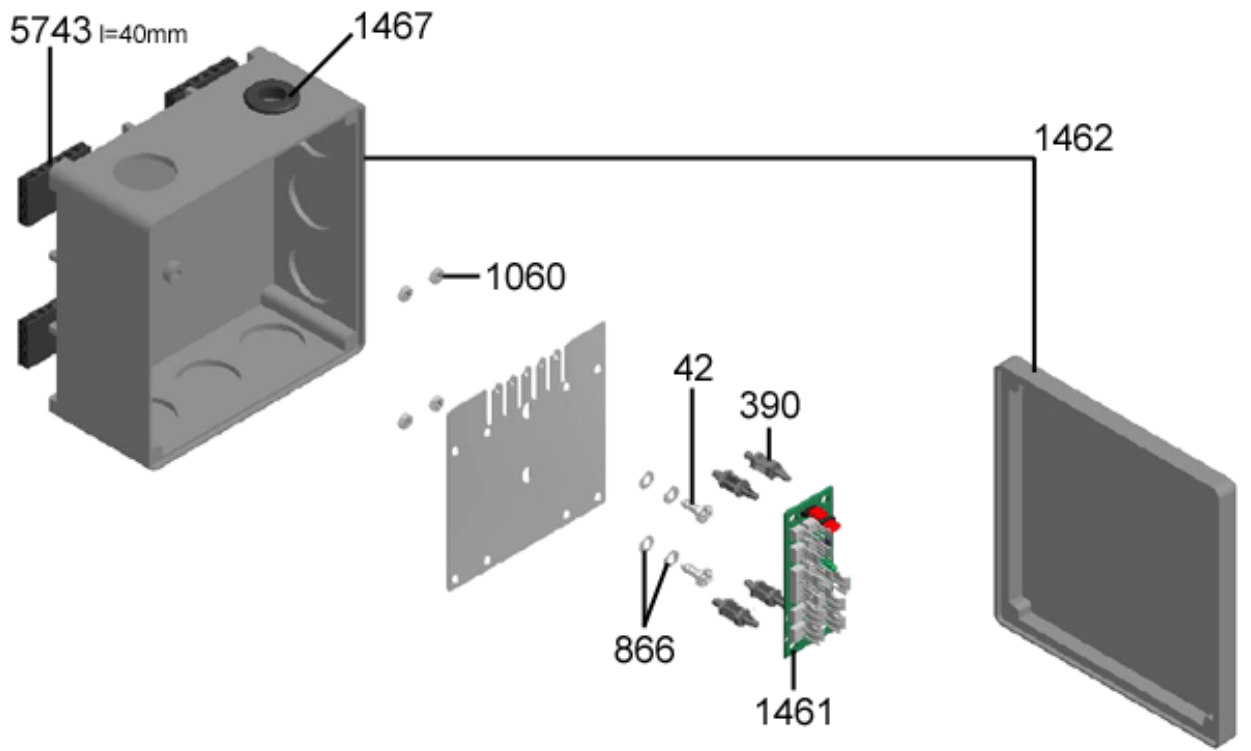
5213	Cable loom milk CF	1Y 320 099
5214	Cable loom milk machine	1Y 320 924
5281	T-piece 200M-1/8	1Y 320 095
5286	Simple tube-clip 10 mm	1L 296 526
5466	Sealing plug K 183	1Y 320 203
5646	Coupling half w. non return valve	BK 320 687
5716	Frother head Ø3.0 cpl.	BK 312 026
5717	Frother head cover with O-ring	1T 311 875
5718	O-Ring 34.65 x 1.78 mm	1T 311 876
5719	Housing frother	1T 311 874
6438	Fan refrigeration unit cpl.	BK 326 321
6599	Milk pump with plug Gotec	1H 326 386
6648	Locking nut M4	1H 326 193
6823	Coupling half front	1Y 320 686
6824	Coupling half back	1Y 320 685
7135	Plug coupling-V.	1H 328 177
81	pump carrier version 2	1P 315 076
842	Attachment plug with cable	10 300 775
866	Washer M4	02 224 402
867	Lock washer d=3.2	02 296 519
8821	Non return valve	1N 330 103
897	O-Ring 37,82x1,78	1L 301 433

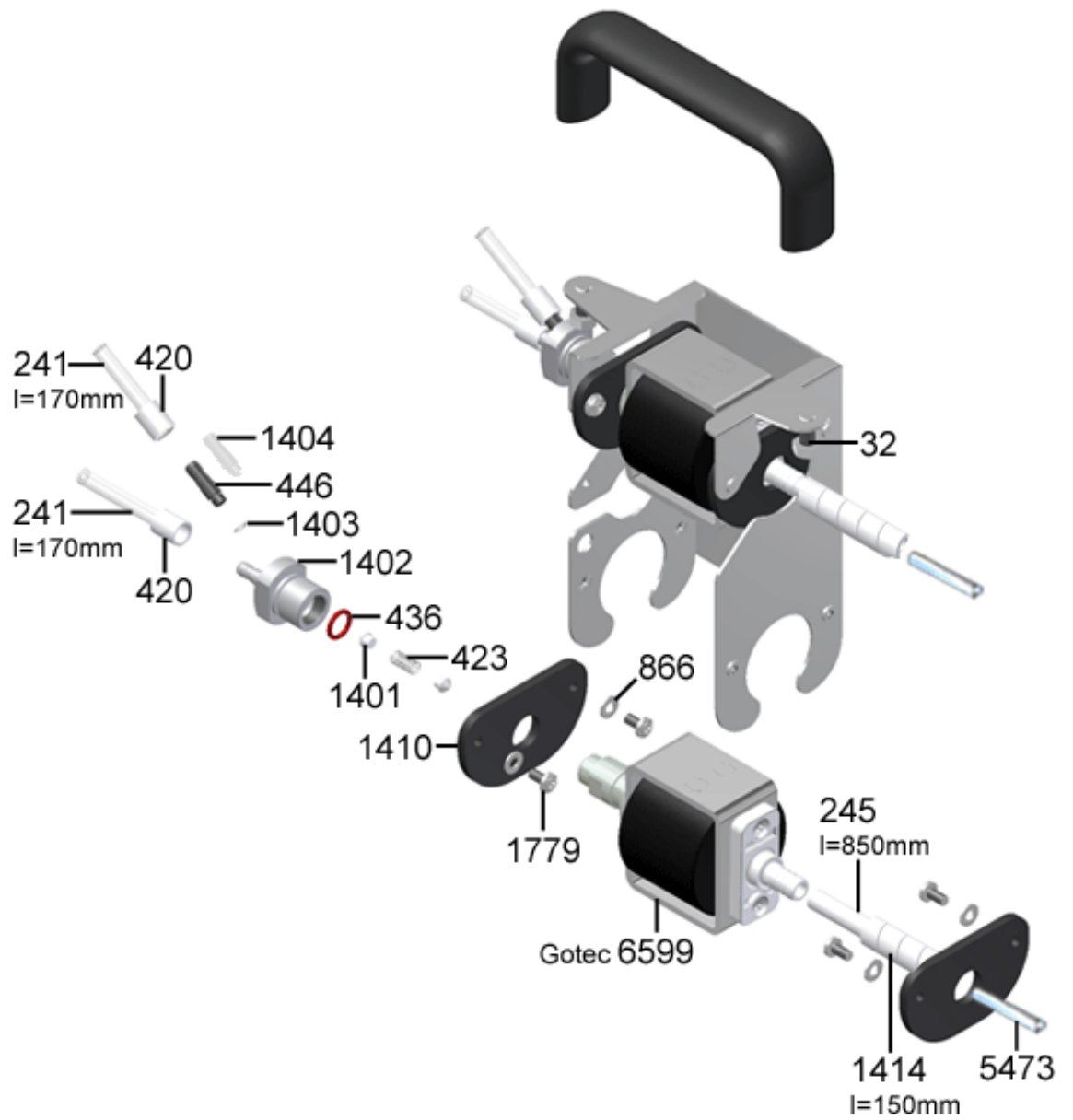
Sinfonia - Milksystems MUT



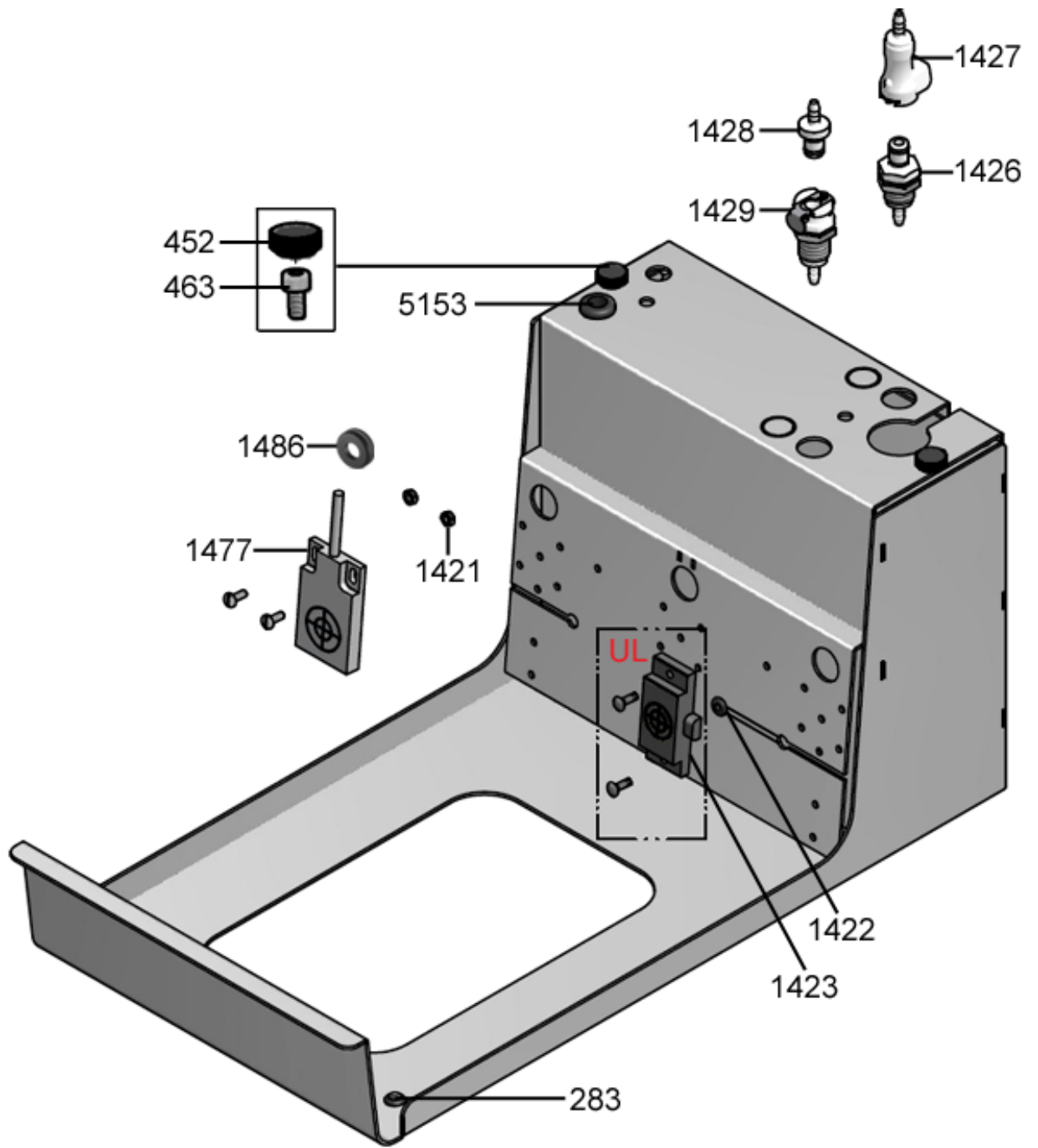
Sinfonia

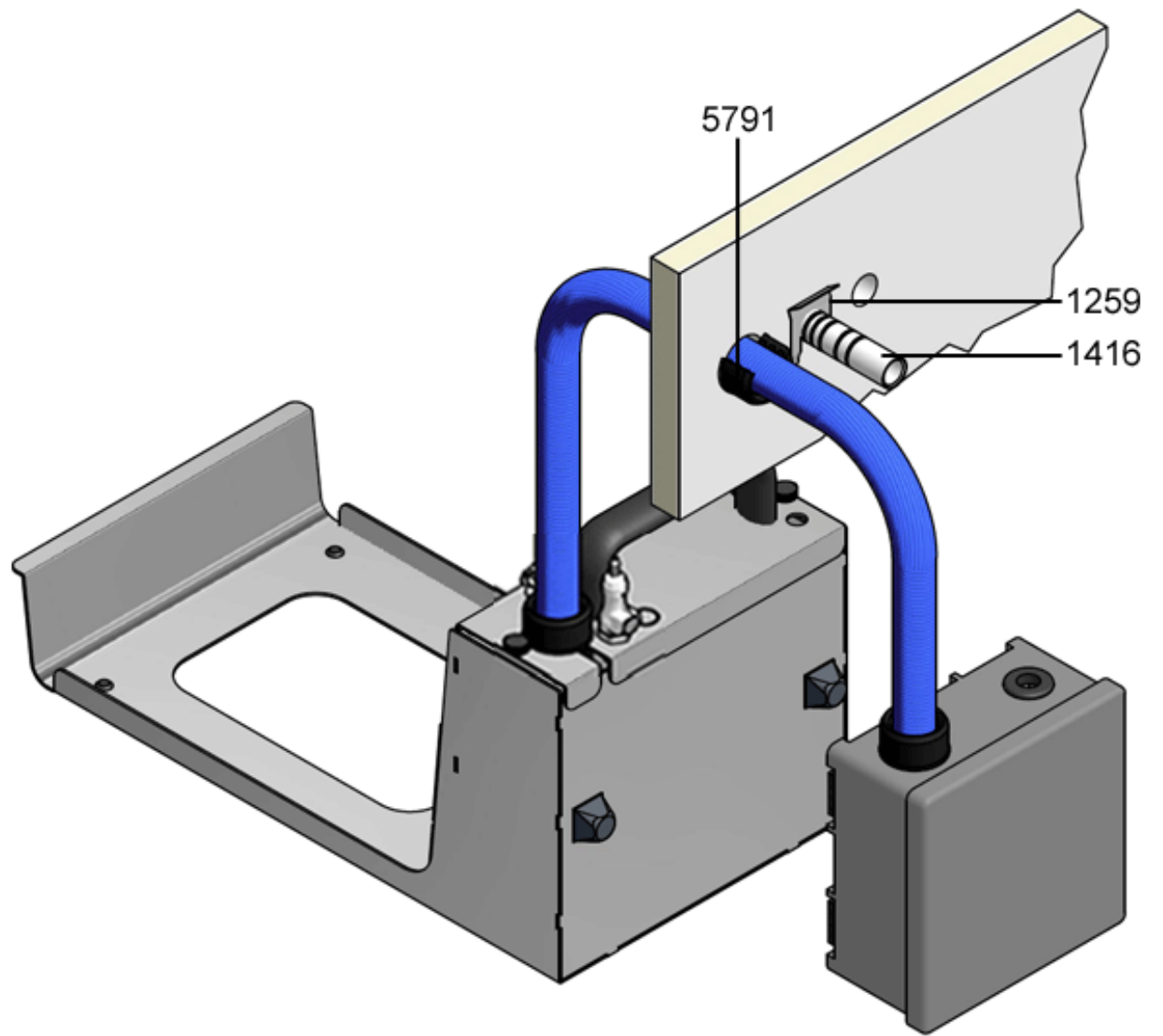




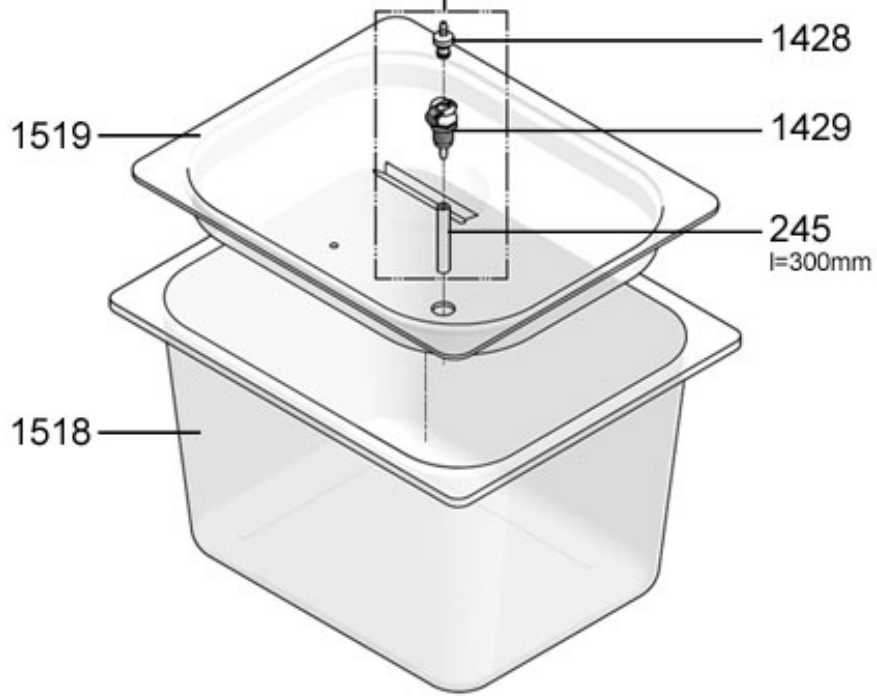


.....
MUT 1
.....

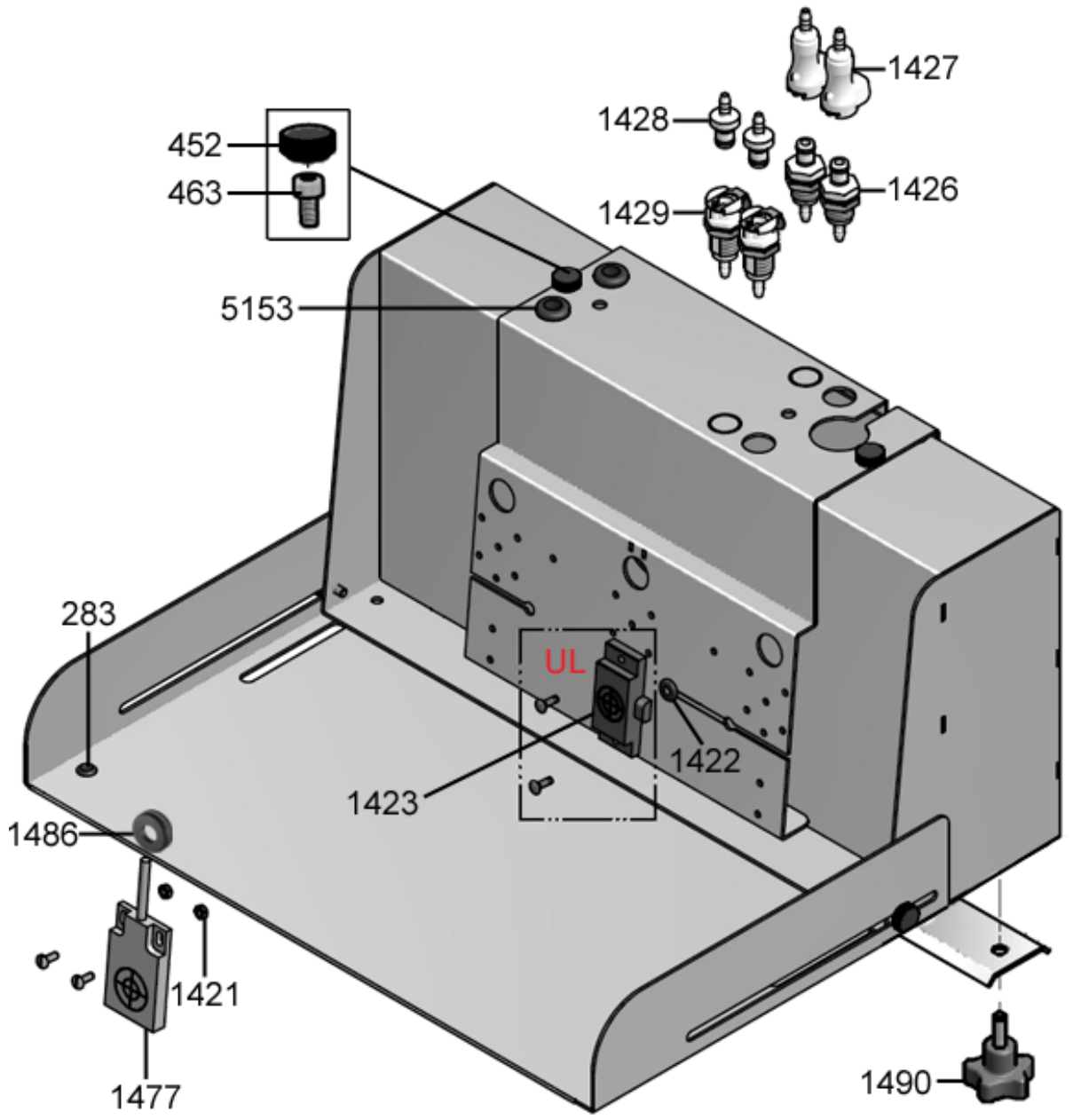


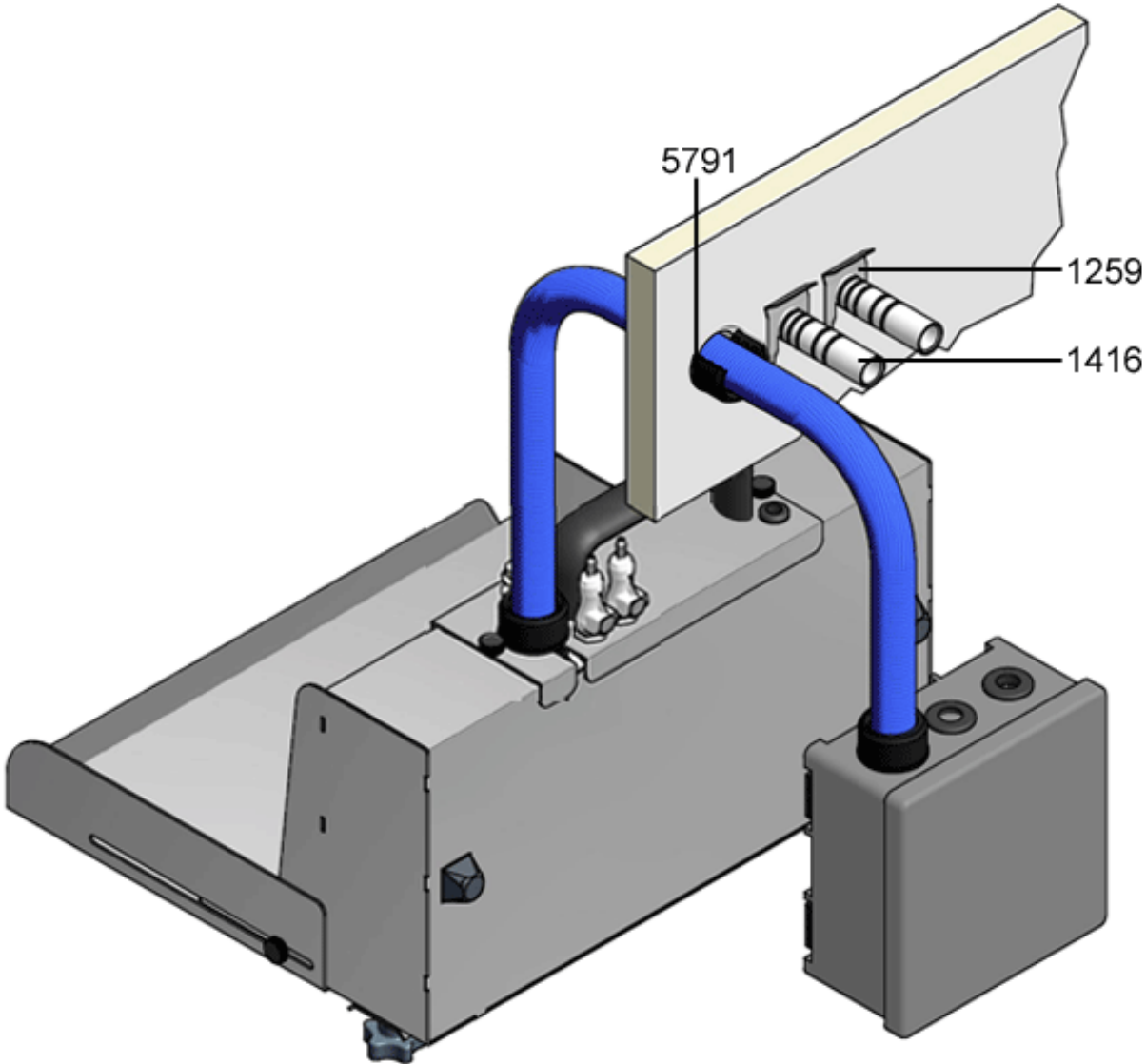


Nur mit Reinigungs- und Spülbehälter
only with cleaning and washing container
seulement avec Récipient nettoyage et lavage

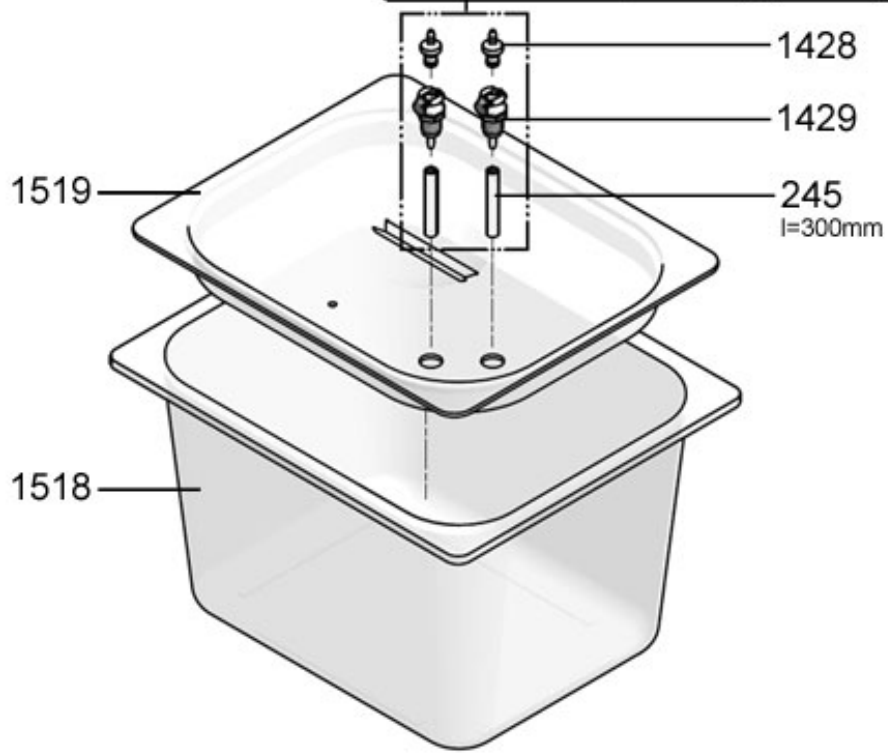


.....
MUT 2
.....

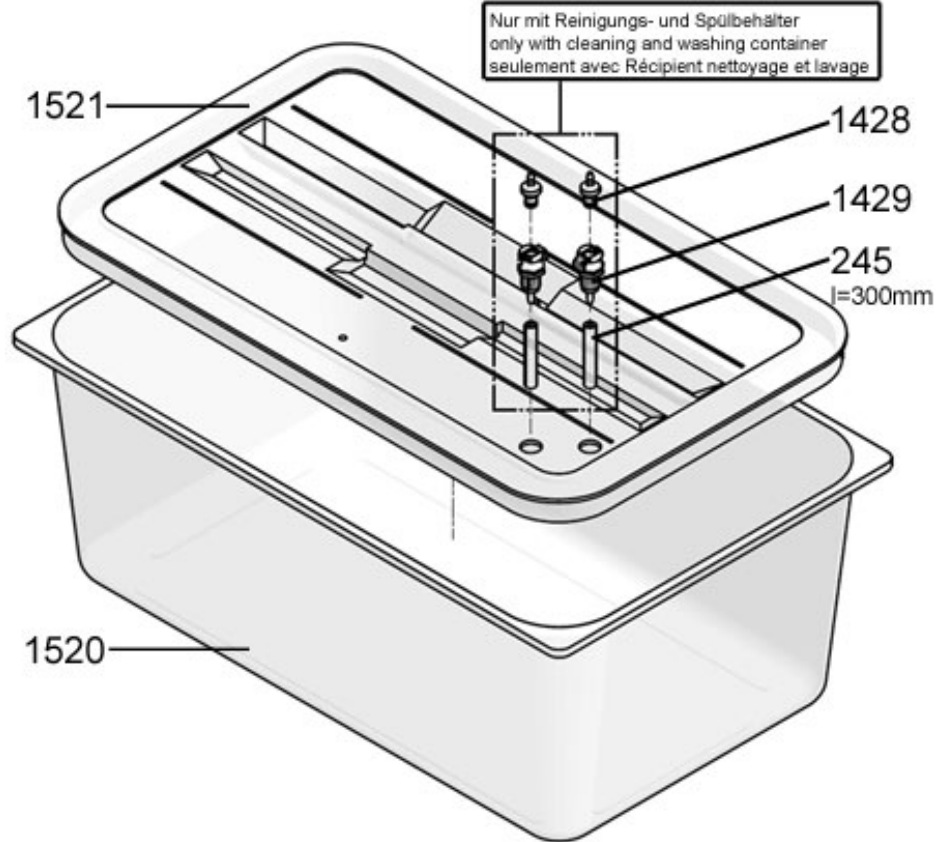


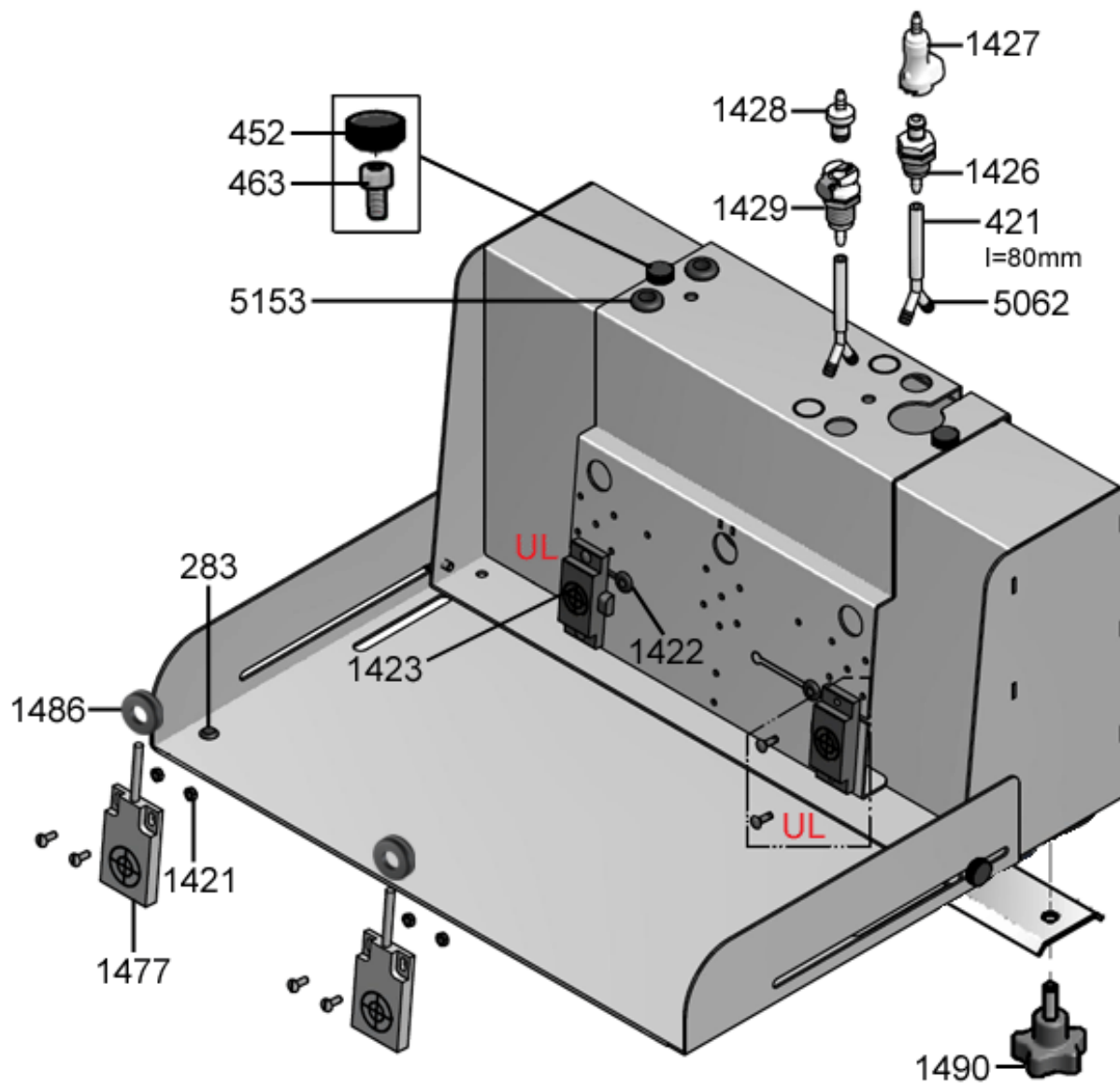


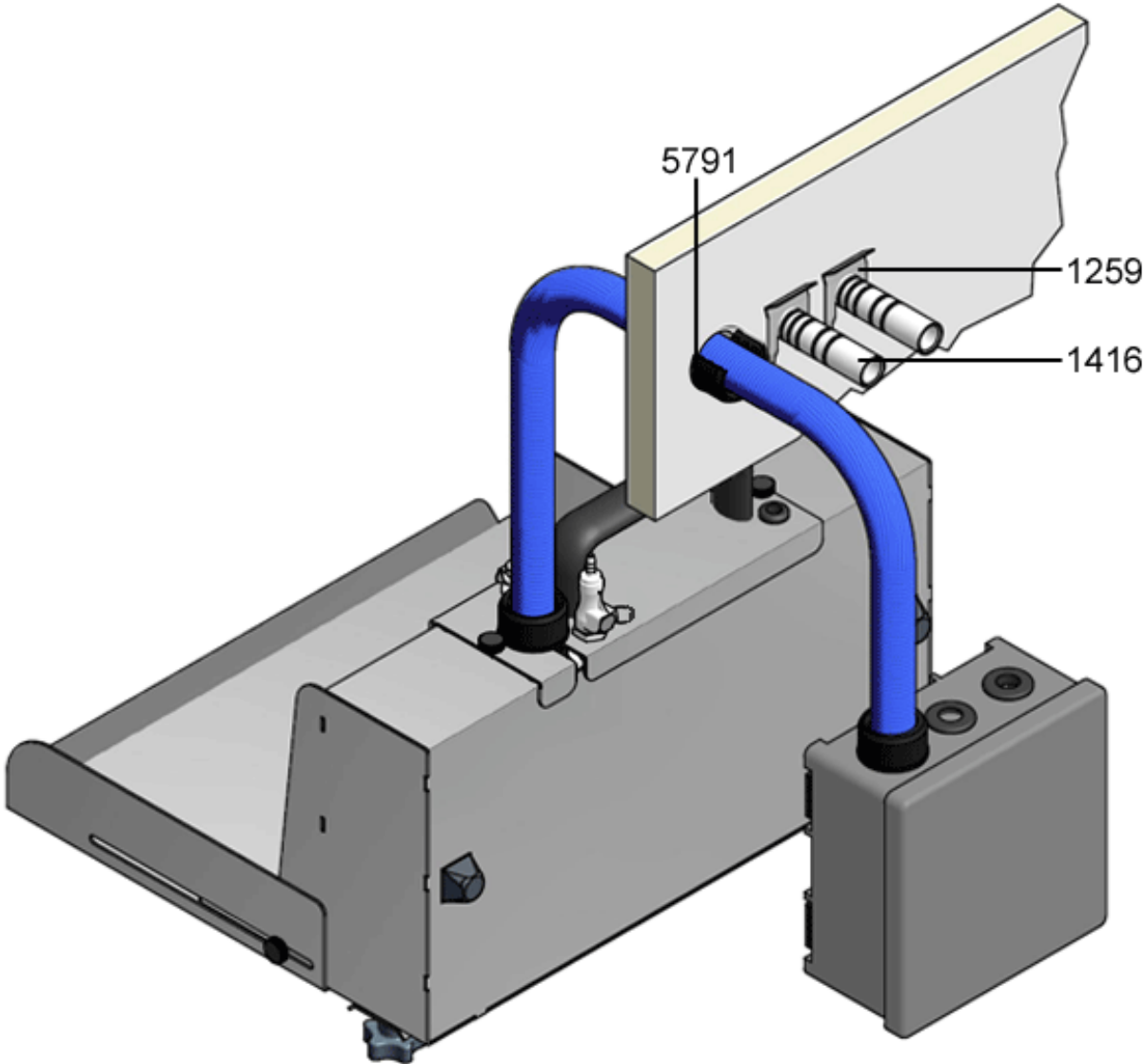
Nur mit Reinigungs- und Spülbehälter
only with cleaning and washing container
seulement avec Récipient nettoyage et lavage



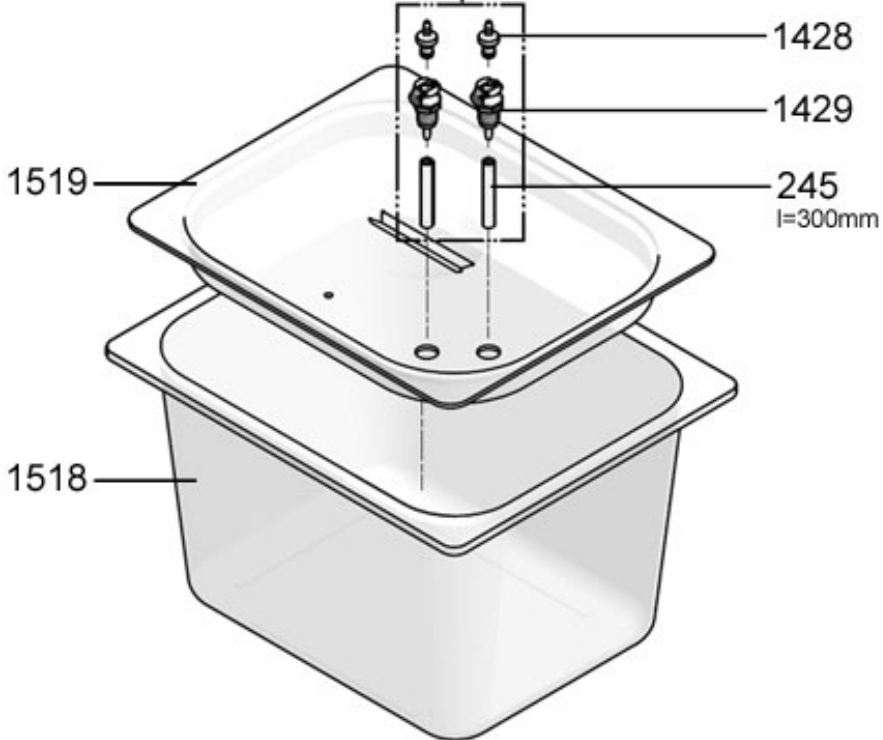
Nur mit Reinigungs- und Spülbehälter
only with cleaning and washing container
seulement avec Récipient nettoyage et lavage



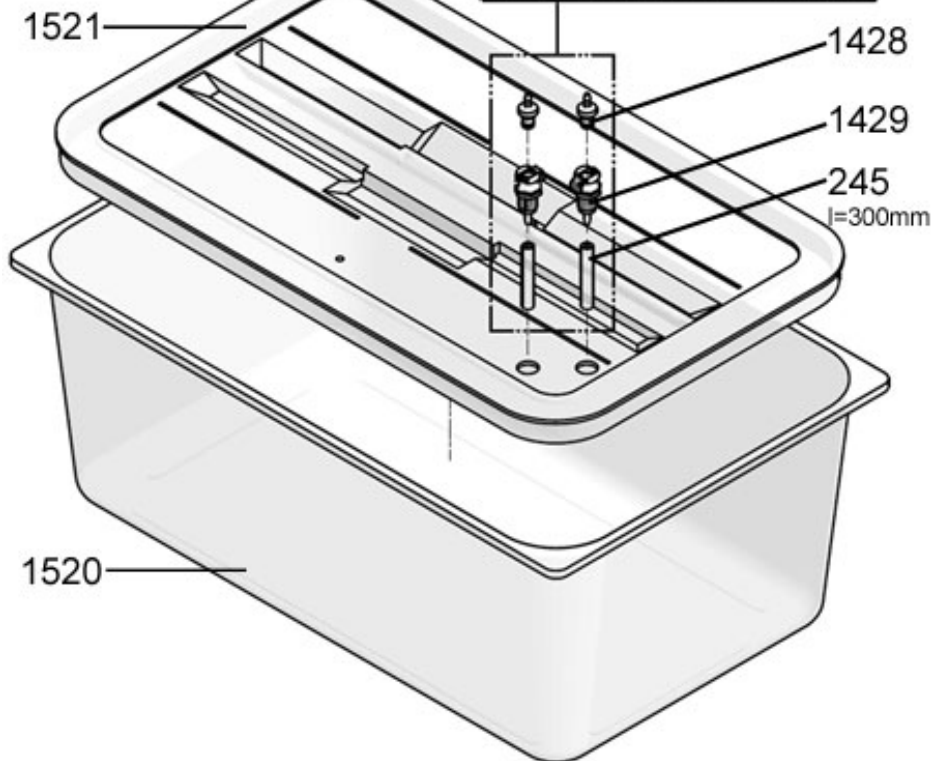




Nur mit Reinigungs- und Spülbehälter
only with cleaning and washing container
seulement avec Récipient nettoyage et lavage



Nur mit Reinigungs- und Spülbehälter
only with cleaning and washing container
seulement avec Récipient nettoyage et lavage





Pos. ▲	Name	Art. No.
1060	hex screw M4	02 224 002
1259	Clip for tube guiding	1L 301 391
1401	Seal cone	1T 310 622
1402	Body for double safety valve for sy	1T 310 618
1403	O-Ring 4x1mm	1T 310 645
1404	Connector	1T 310 619
1410	Support to pump	1T 310 708
1414	Flexible tube 285 mm white	1T 311 119
1416	Tube guiding long, length:82mm	1L 301 388
1421	Hex. nut	02 224 058
1422	Rubber bush	1L 301 537
1423	Readswitch capacitive with plug	10 301 369
1426	Plug nipple with thread	1Y 320 340
1427	Quick fitting coupling without thread	1Y 320 338
1428	Plug nipple without thread	1Y 320 339
1429	Quick fitting coupling with thread	1Y 320 337
1461	Mini-milk printed circuit board	1T 311 023
1462	Branch box	1Y 320 344
1467	Bush 120/180/10	10 300 346
1477	Readswitch capacitive	10 301 813
1486	Guide bushing	1L 301 310
1488	Milk cable extension MUT Sin.	1Y 320 495
1490	Star handle	1L 301 815
1496	Hose grey	1Y 320 343
1518	Milk container ext.milk system	1Y 320 335
1519	Milk container lid for ext.MS	1Y 320 336
1520	20l milk container	1Y 320 547
1521	Lid for 20l milk container	1Y 320 548
1779	Lens-head screw, M4 x 8 mm	1Y 320 286
241	Silicone hose ID= 3 mm	1L 296 485
245	Silicone hose ID 8 x 4 mm	1L 300 136
255	Torque screw M4x8 mm	1T 310 040
283	Buffer	1T 310 207
32	Hexagon head screw M6x12	02 222 223
390	Distance bolt	1T 310 383
42	Torx screw	1T 310 401
420	Clamp bushing to Milksystem	1T 310 705

421	Flow control valve	BK 310 958
423	Spring to Milksystem	1T 310 644
436	O-Ring D=8,73x1,78	BK 310 192
446	Connector black XFMS zu Milch 200	1Y 320 546
452	Knurling-top M4	1T 310 086
463	Pan head screw M4x8	02 221 703
5062	Y distributor	1T 310 489
5153	Feedthrough grommer DA 80/100/15	10 300 394
5213	Cable loom milk CF	1Y 320 099
5214	Cable loom milk machine	1Y 320 924
5473	Nozzle to cappu	1Y 320 676
5487	Cleaningbox	1Y 320 683
5491	Locknut PG16	1H 326 015
5743	Dual Lock SJ/354D Velcro strip	1L 301 199
5785	Cleaningbox EN / FR	1Y 320 814
5791	Fastener 2/3 black	1Y 320 720
6457	Quick angle 45°	1H 326 014
6599	Milk pump with plug Gotec	1H 326 386
866	Washer M4	02 224 402

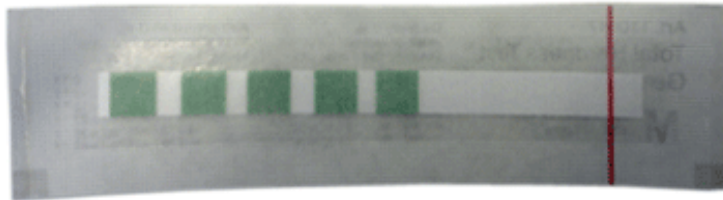
Sinfonia - Cleaning-/Service accessories



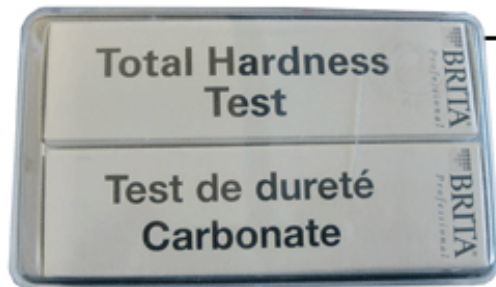
Evolution
Evolution Plus
Sinfonia



8000



Gesamt- und Karbonathärtetest
Total and carbonate hardness test
Test de dureté totale et carbonate



988



7134



501



6976



502



166



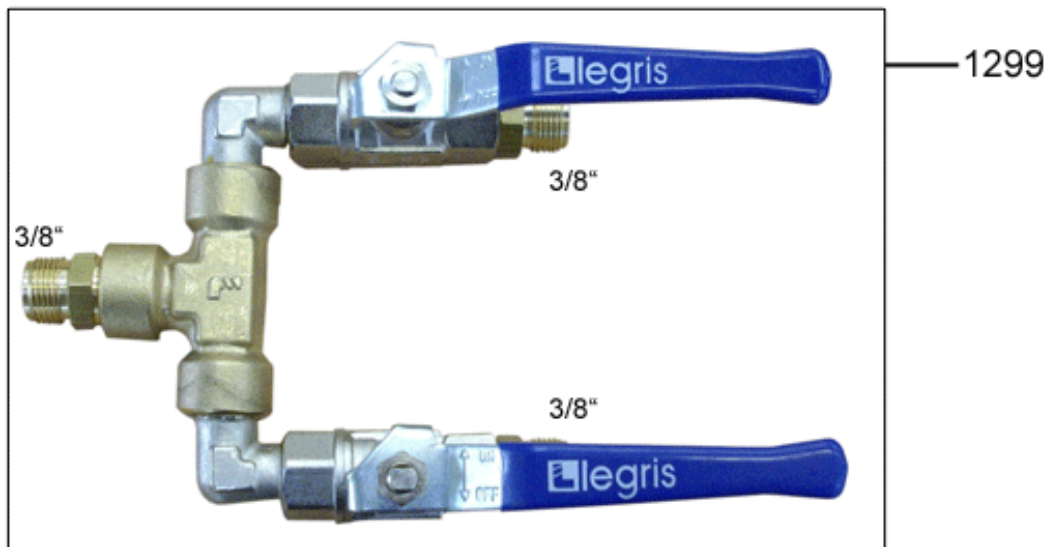


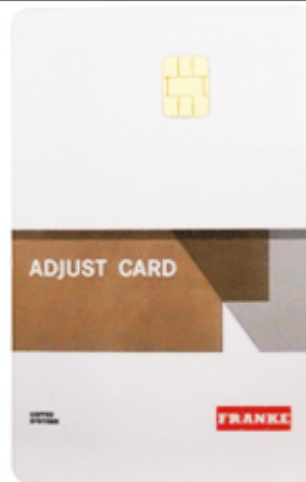
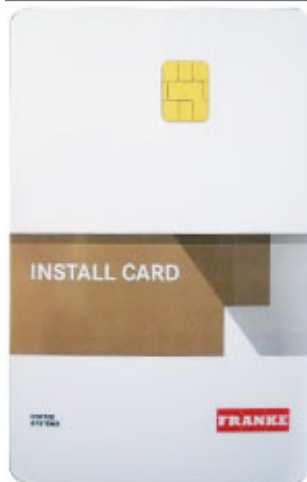
Pos. ▲	Name	Art. No.
166	Klüberfood NH1 94-301	1Y 321 181
500	Loctite blue no.242	1L 278 015
501	Special lubrication 45g	1L 296 804
502	Klüber NH1 94-301	BK 301 313
503	Spindel oil	BK 301 340
504	Loctite yellow no.577	1L 278 133
505	Sealingband 1/4 PTFE	BK 301 426
6976	Klüberpaste UH1 84-201 / 1g	1H 327 583
7134	Multifoam Spray 500ml	1H 328 328
8000	Test strips Aquadur	1N 330 577
988	BRITA hardness test kit GH&KH	BK 301 849

Sinfonia - Parts for installation



Evolution
Evolution Plus
Sinfonia



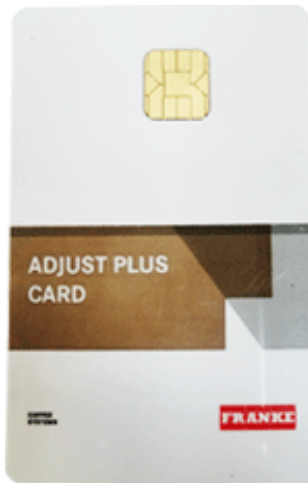


Ecolino
Ecopower
Evolution
Sinfonia
Swiss Mambo



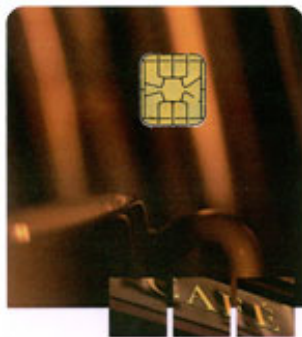
Ecolino
Ecopower
Evolution
Swiss Mambo

|
589



Spectra S
Spectra X
Spectra I
Spectra X-XL

|
6595



The art of
excellent coffeemaking.

Adjust C

|
6597



590



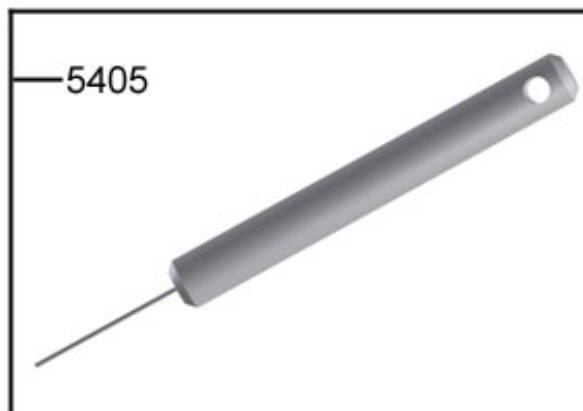
587

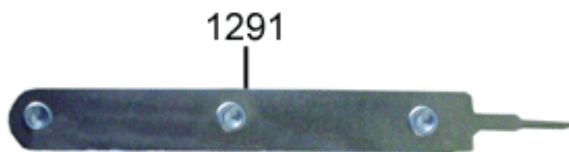
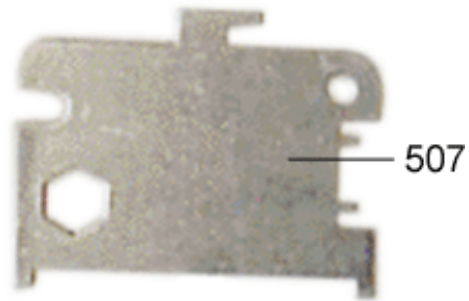
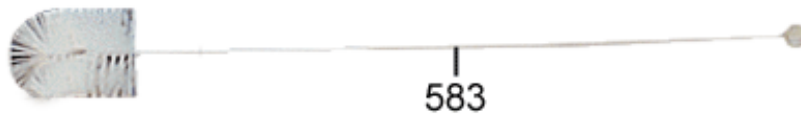
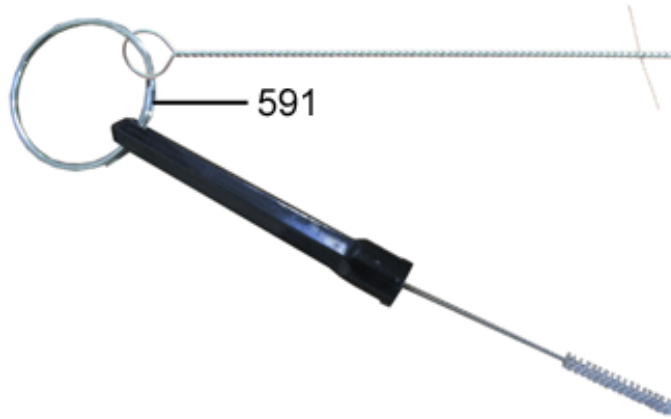
Pos. ▲	Name	Art. No.
1294	T-fitting 3/8	BK 301 785
1295	Ball cock 3/8	BK 301 786
1296	Twin nipple 3/8-3/8	BK 301 787
1297	Connecting sleeve cyl. 3/8-3/4	1L 301 723
1298	Reduction 1/2-3/8	BK 310 929
1299	Distribution piece with 2 taps	BK 301 749
1300	Mini ball cock i3/8 a3/8	1T 311 893
293	Seal 3/8, 15x10x1.5	1L 297 307
294	Metallic hose	1L 297 184
579	Install Card	10 300 931
585	Hose clamp 15-24mm	1L 301 665
586	Hose drain 14,5 x 20 mm	1L 301 100
587	Double case 36x90mm	1L 301 088
588	Adjust Card	10 300 924
589	Download Card	10 300 947
590	Cleaning-Card	BK 301 346
6826	Reducing nipple 3/8-3/8	1H 327 271

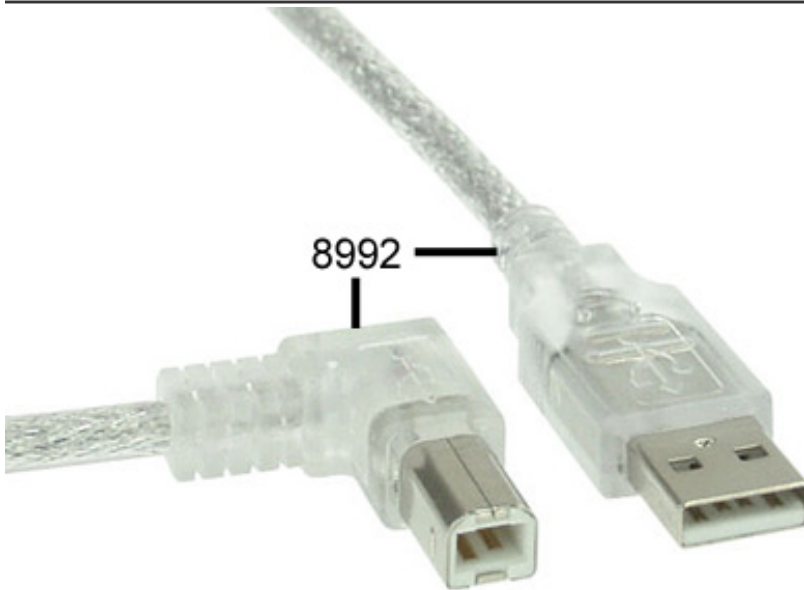
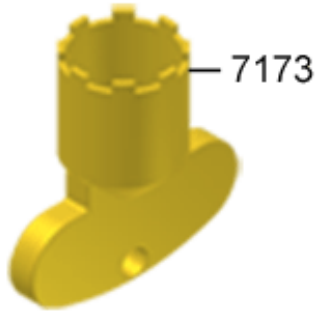
Sinfonia - Special Tools / Auxiliares

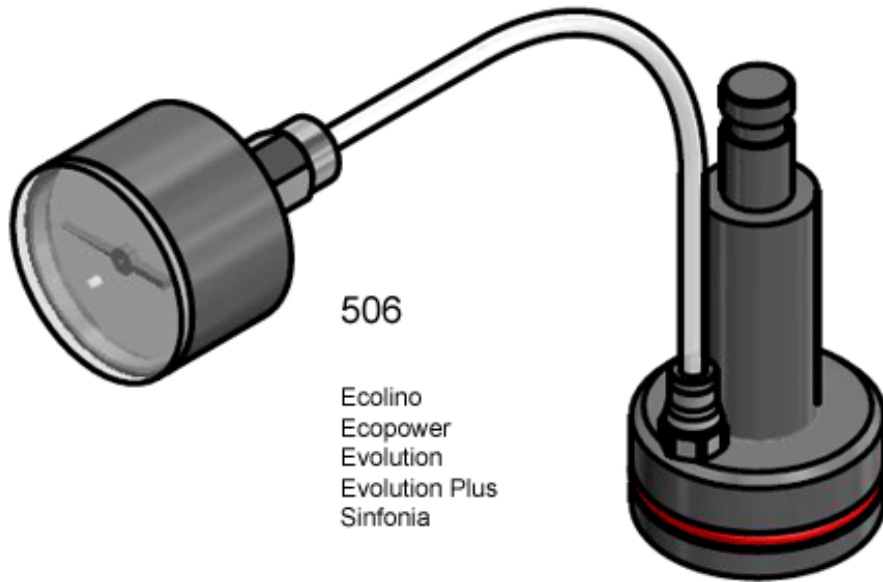


Sinfonia

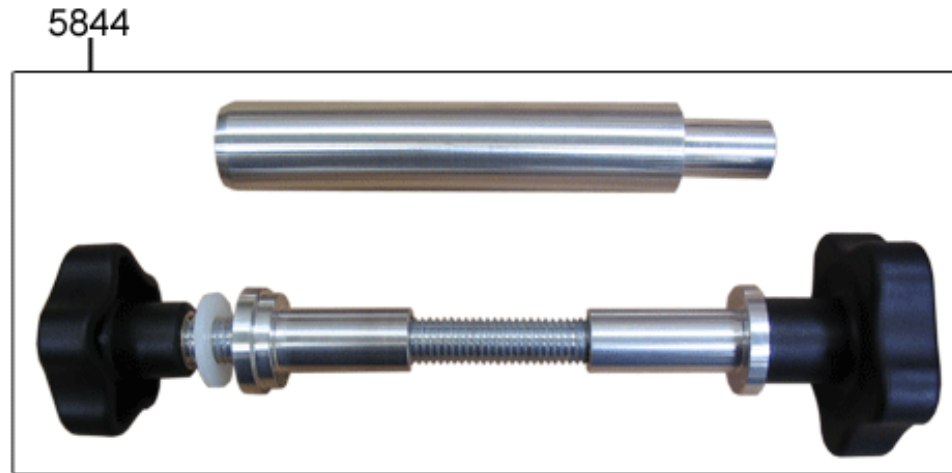


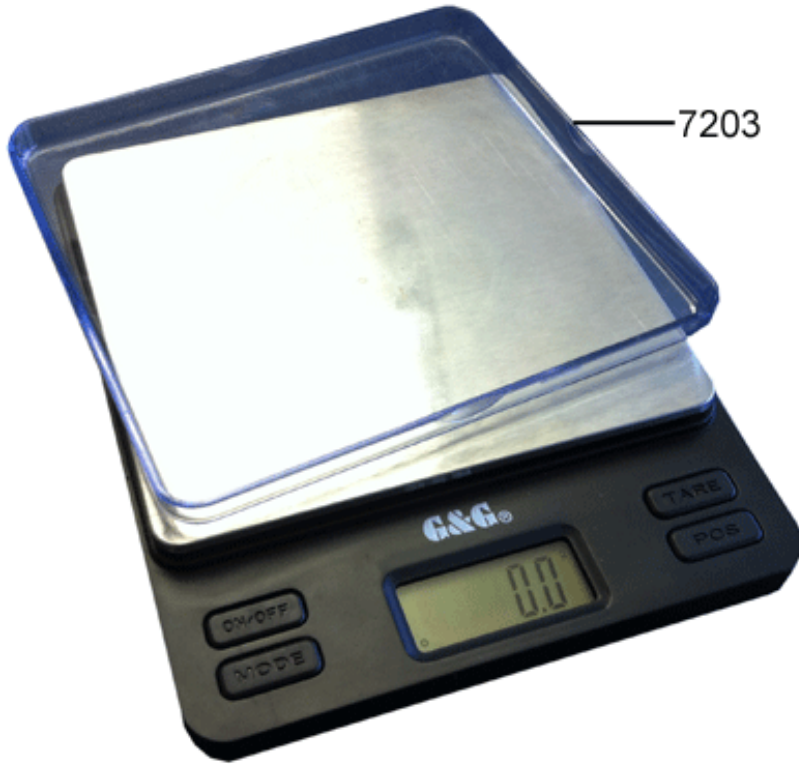
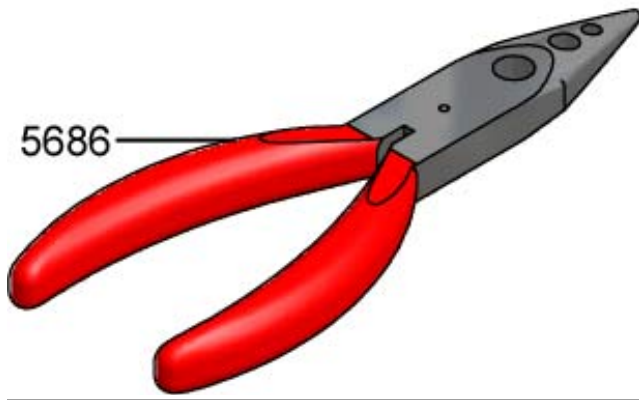


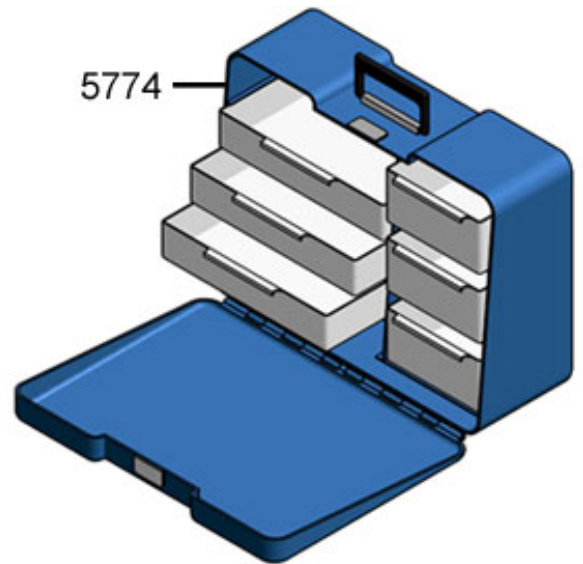
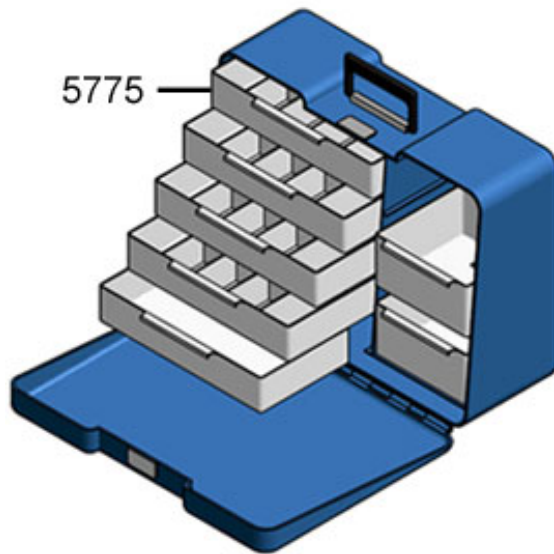




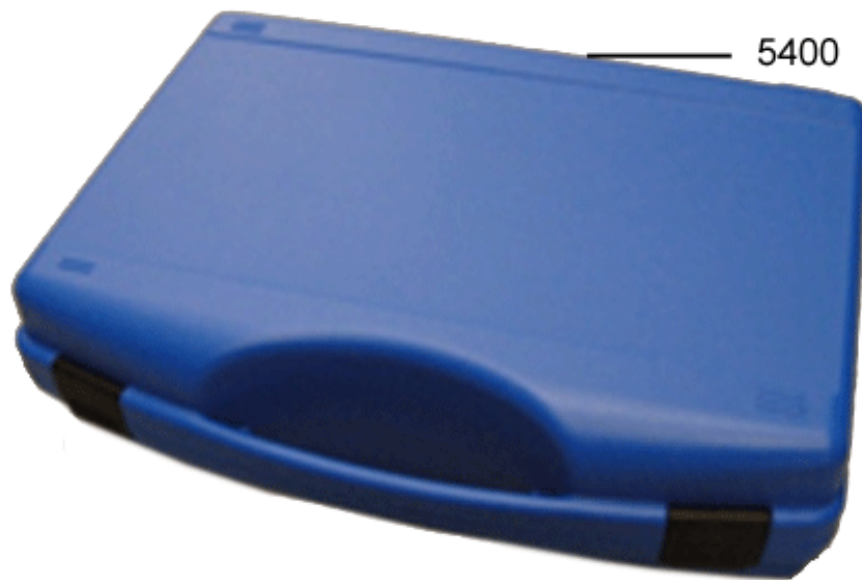
Montageset Lagerbüchsen / Bush assembling jig / Kit montage groupe d'infusion







ohne Hilfsmittel / without accessories / sans accessoires



Pos. ▲	Name	Art. No.
1291	Ejecting tool for minifit plug	BK 296 469
506	Pressure control piston Evolution	BK 312 463
507	Wrench to adjust grinder ECOLINO	1T 310 252
5400	Case with foam insert	1Y 320 268
5405	Nozzle cleaner cpl. milkfoamadapter	BK 311 611
5644	USB-Programming cable	1Y 320 713
5660	Hose Cutty	1T 311 894
5685	Lubricating bolt	BK 311 954
5686	Hose pilers	BK 311 955
5774	Spareparts case	BK 310 689
5775	Spareparts case	BK 312 661
582	Brush set for cappuccinatore compl.	1L 301 376
583	Brush	1L 301 060
584	Brush 25mm	1L 301 160
5844	Bush assembling jig EV/M	1T 311 736
591	Set of nozzle cleaner/brush D=4mm	BK 311 341
6593	Micro fiber cloth 40x40cm	1H 325 974
7173	Key for aerator Neoperl	1H 327 863

7203 Digital pocket scale
7207 Disc magnet Ø22 mm
8992 Cable USB

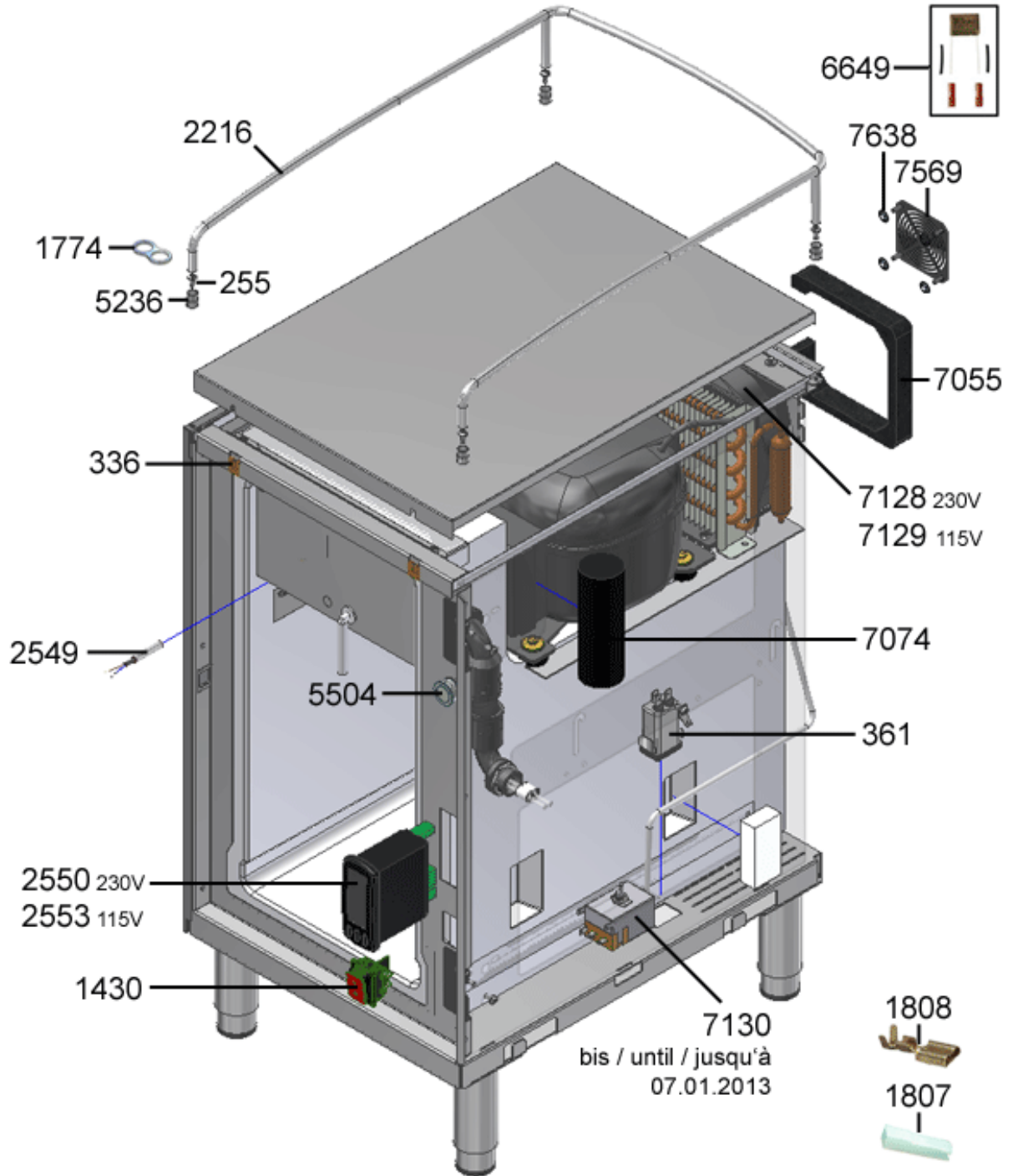
BK 328 364
1H 329 791
1N 330 108

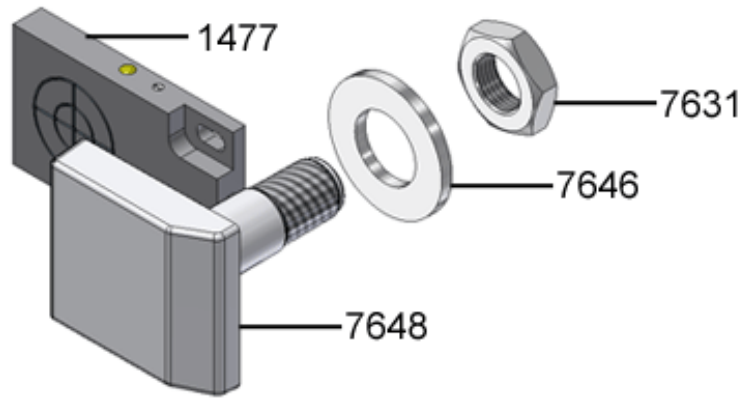
Sinfonia - Refrigeration unit 320

Side fridge F 13" / Kühleinheit 320 / Unité réfrigérateur 320

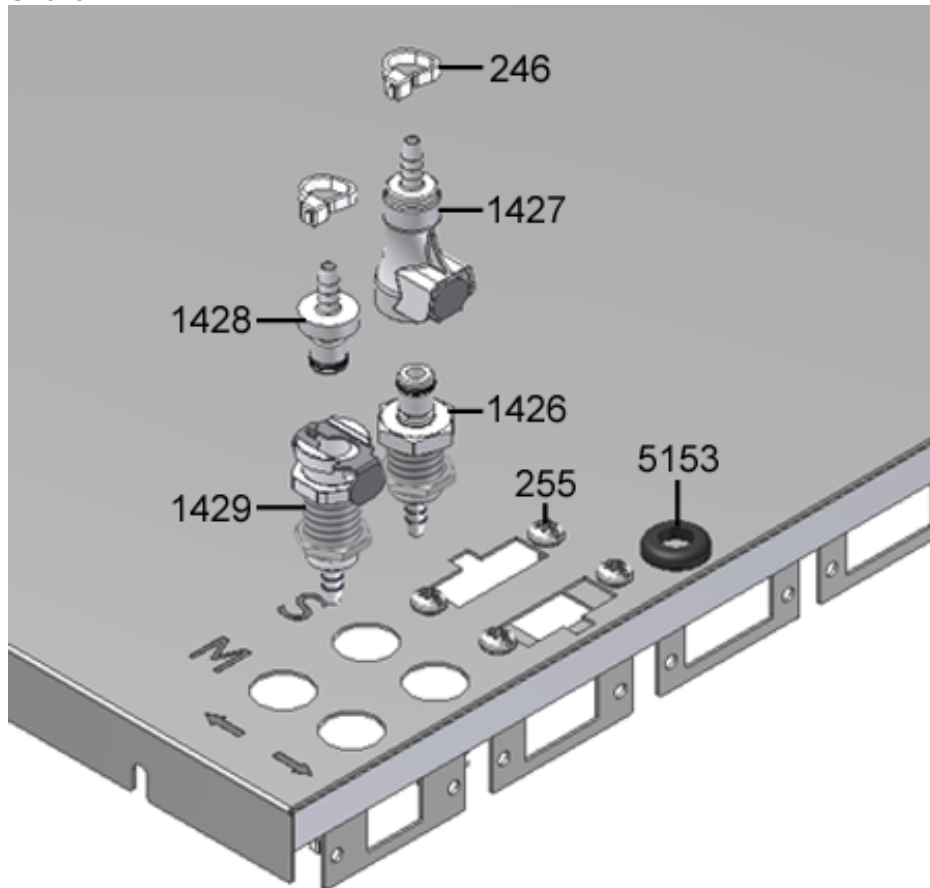


Sinfonia

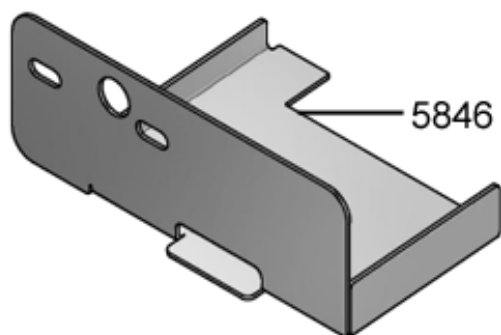


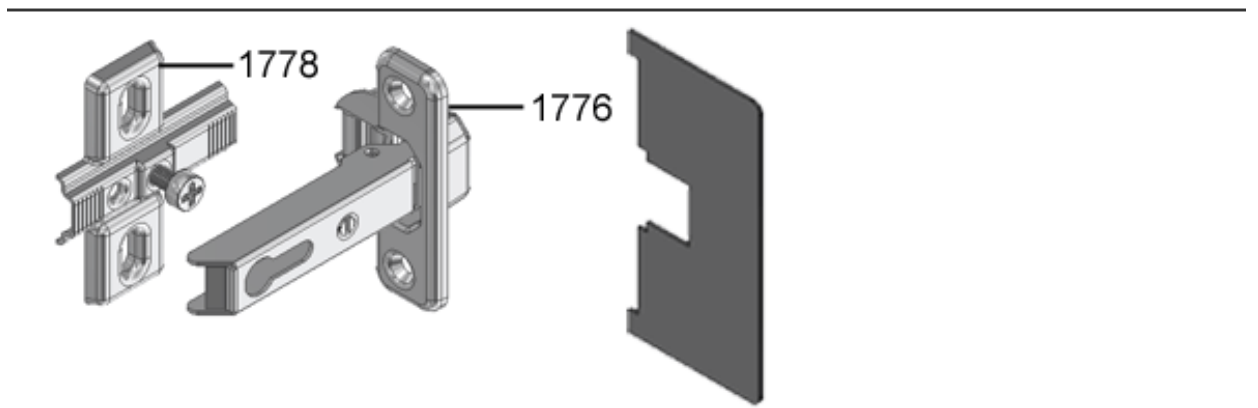
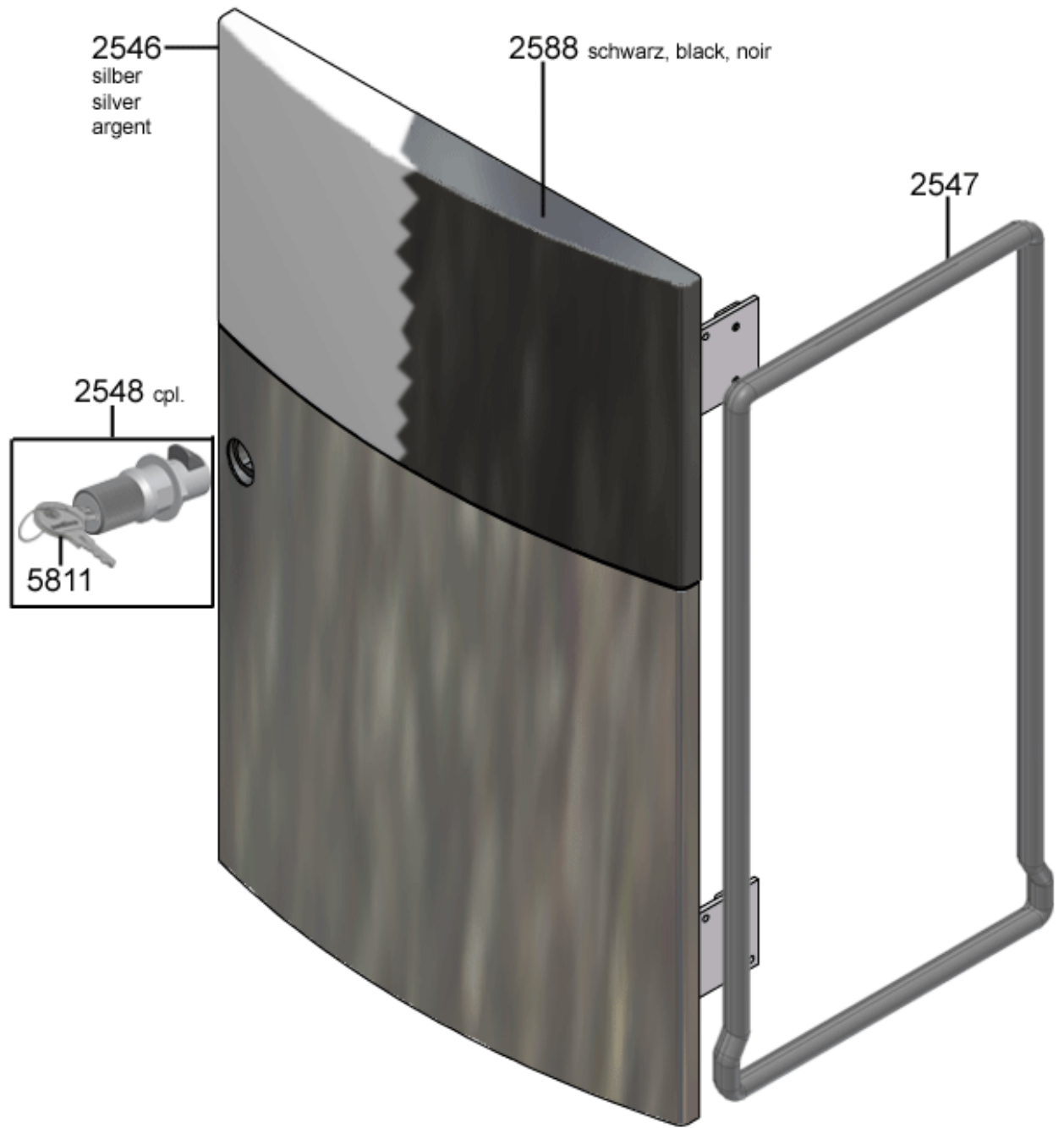


UT320



UT320

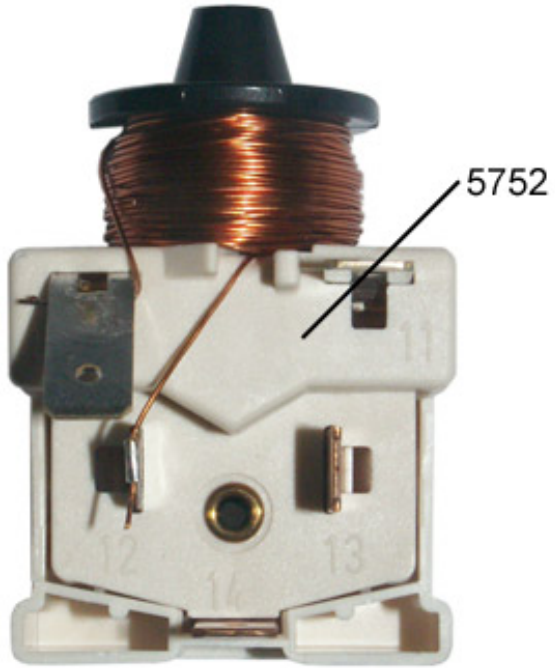
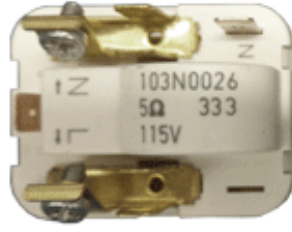




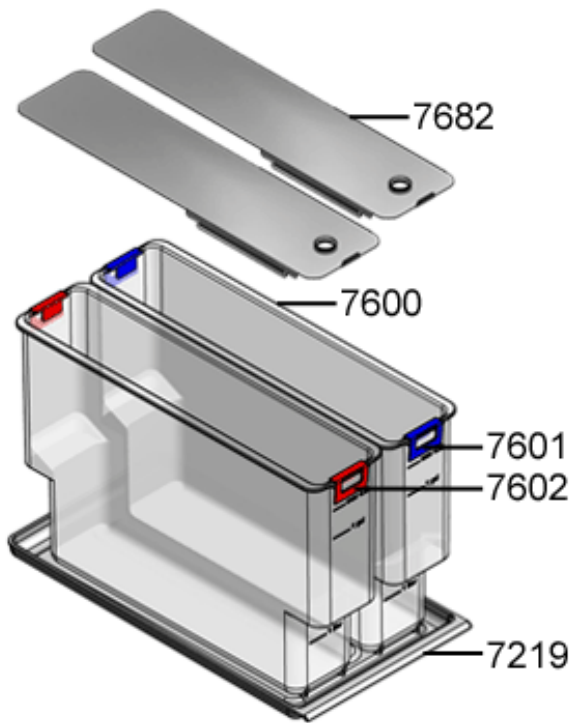
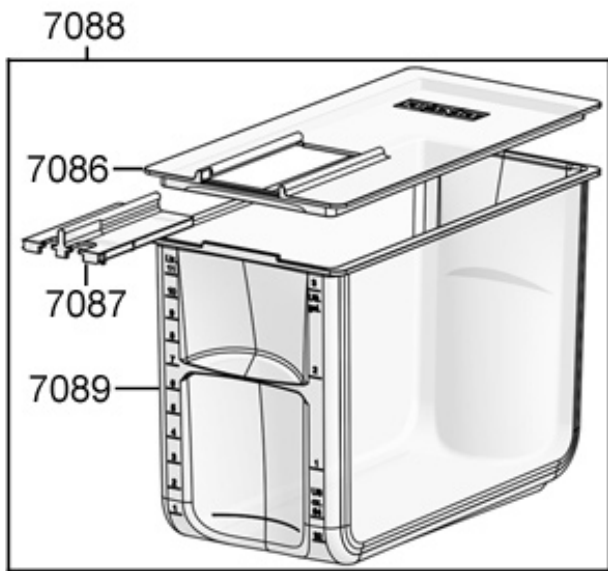
7577 230V

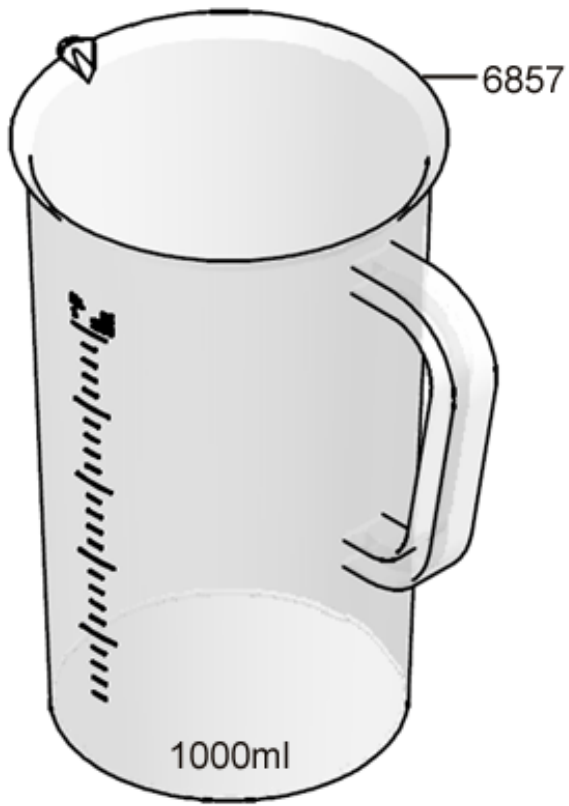


7578 115V

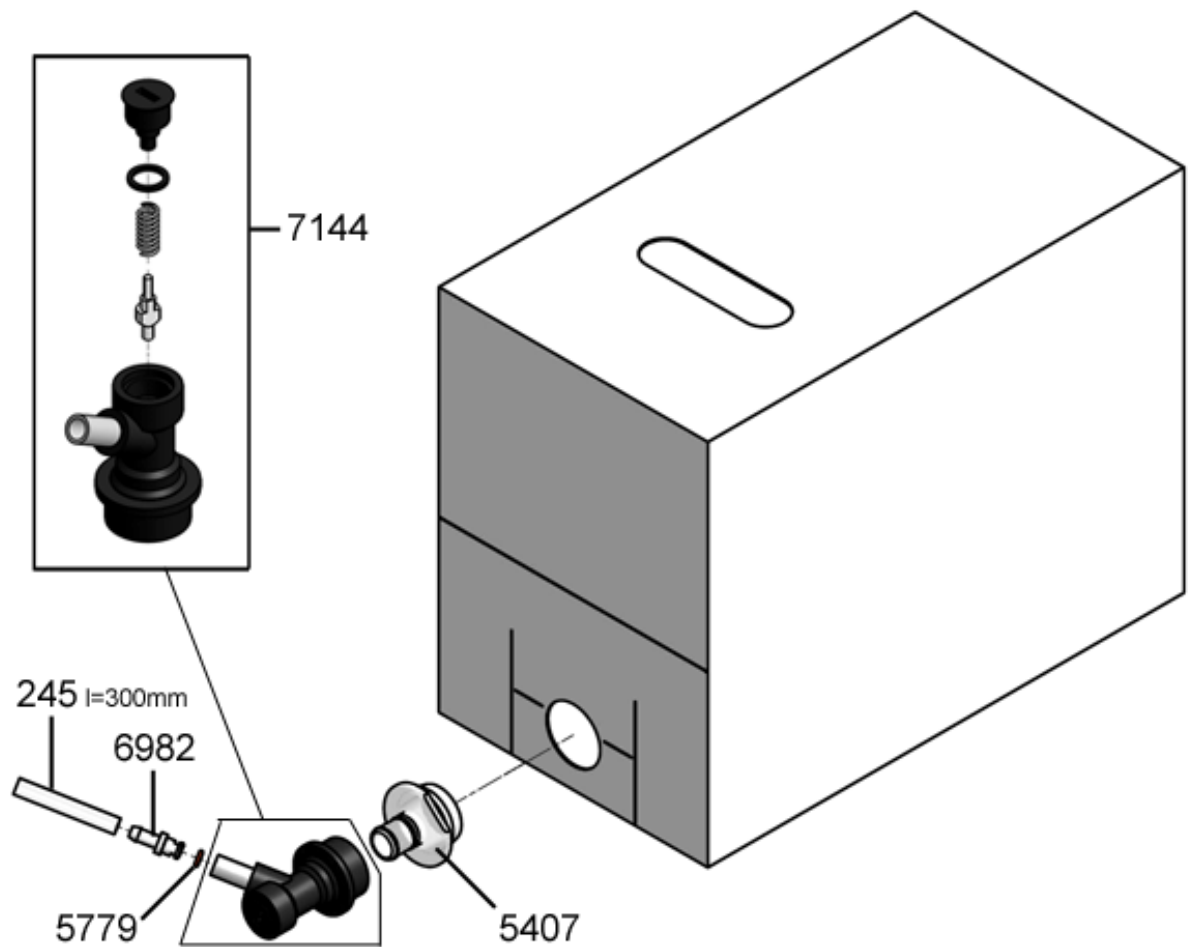


7214
SI 12-123

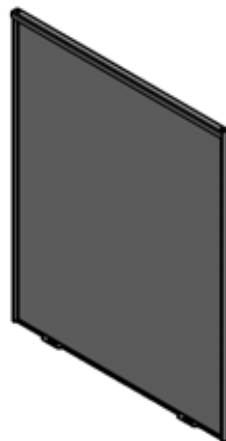



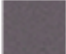



Bag in Box 10l

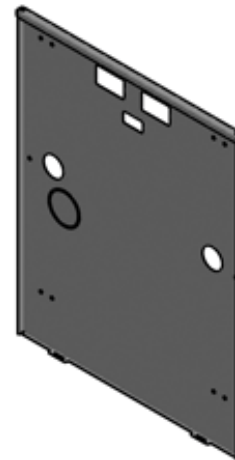



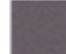

Seitenwand links/rechts
Side panel left/right
Panneau latéral gauche/droit



 5464
 5381
 5460

Seitenwand links/rechts gelocht
Side panel left/right perforated
Panneau latéral gauche/droit percé

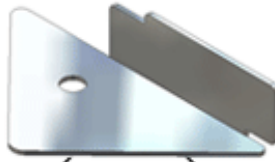


 5071
 5072
 5073

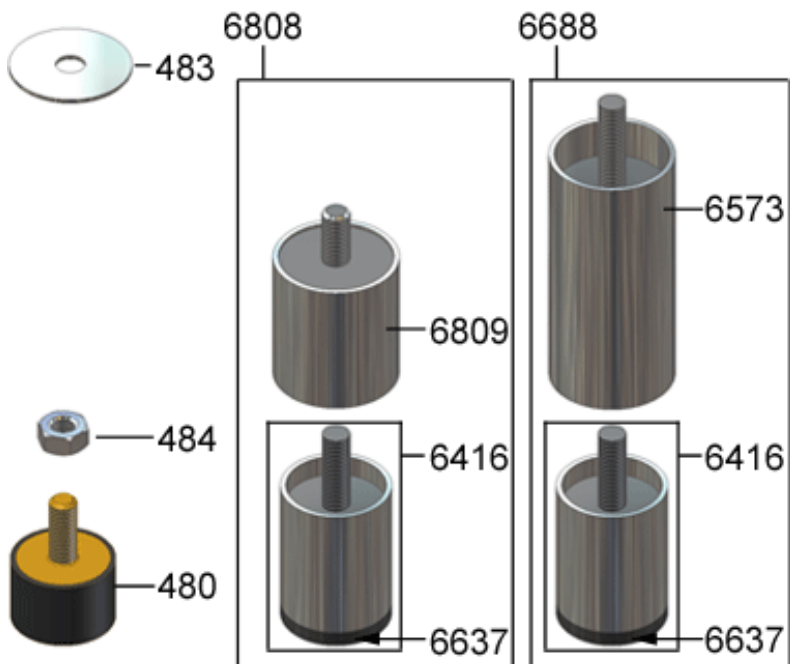
Rückwand für Flachlüfter
Rear panel for cross flow radiator fan
Panneau arrière pour ventilateur

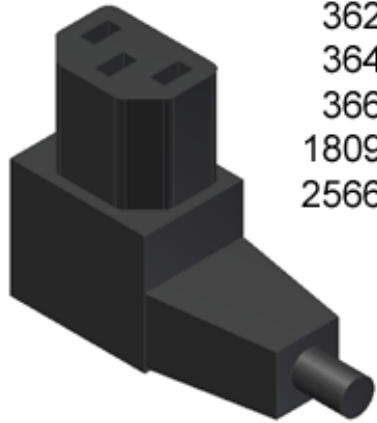


-  2545
-  2147
-  2582

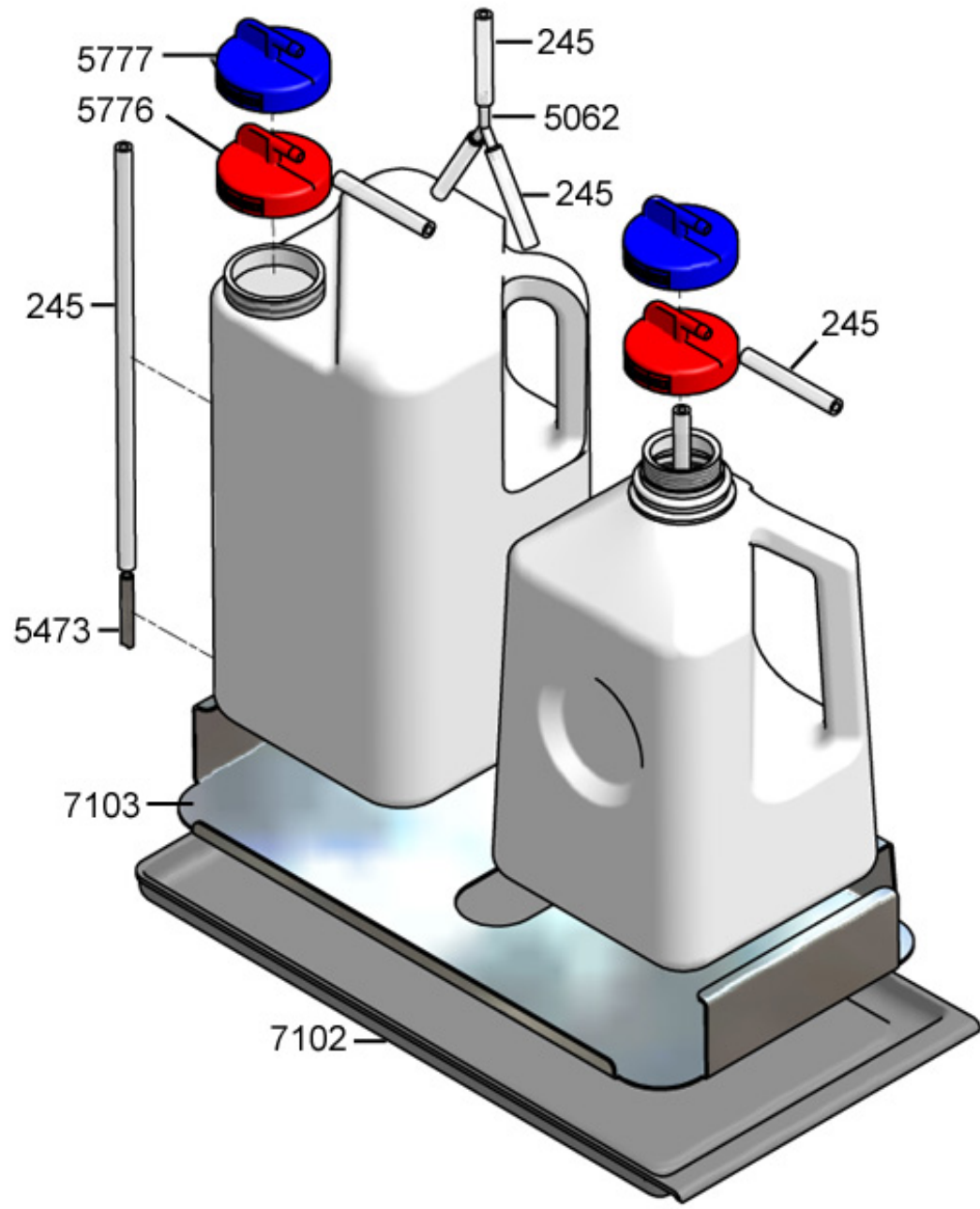


- 5500 links / left / gauche
- 5501 rechts / right / droit





- 362 Type J (CH,LI)
- 364 Type E+F (BE,CZ,DE,FR,PL,SK,TN)
- 366 Type G (GB,IE,MY,SG)
- 1809 Type B (BR,CA,JP,MX,TW,USA)
- 2566 Type I (AR,AU,CN,NZ,UY)





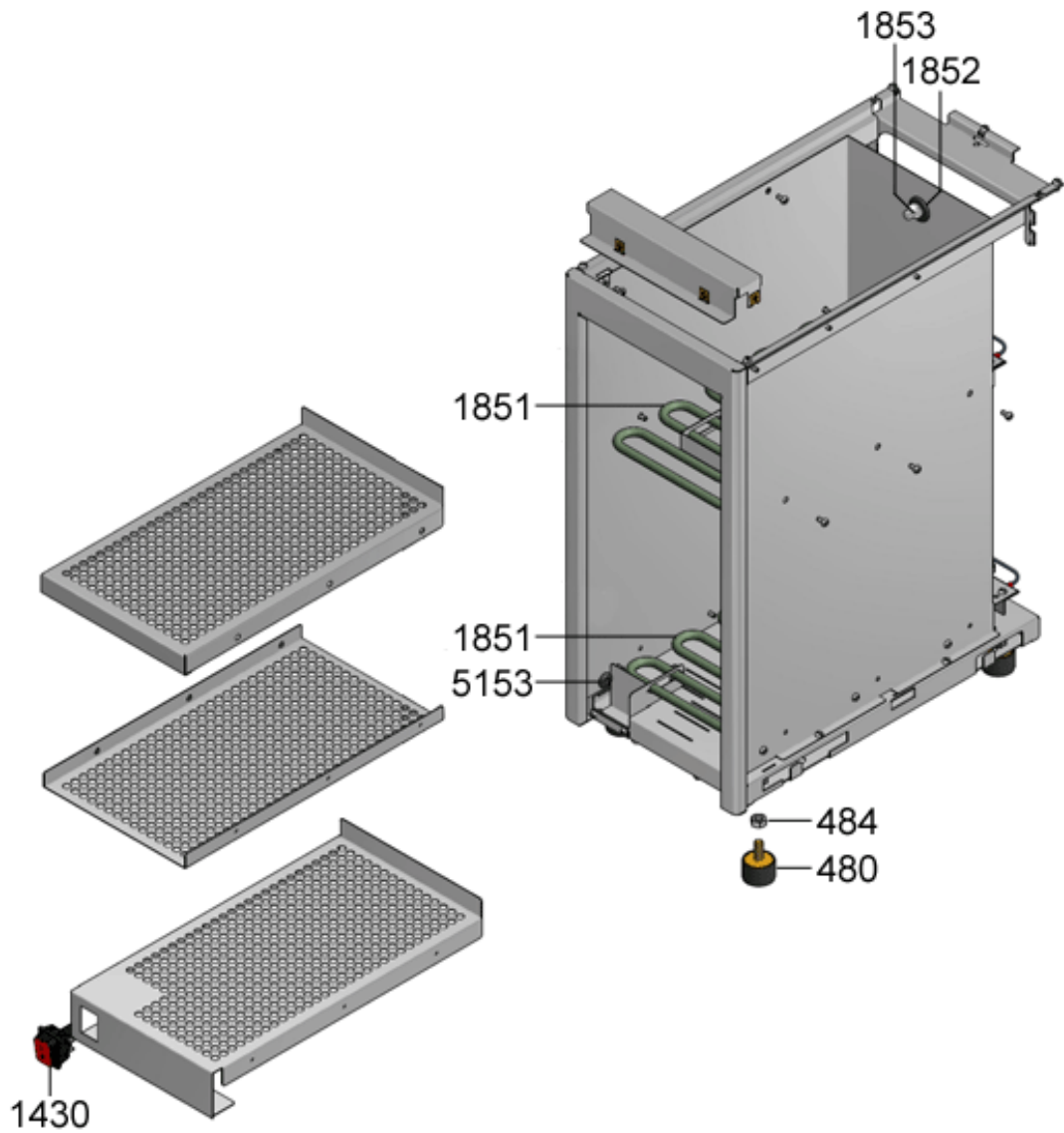
Pos. ▲	Name	Art. No.
1426	Plug nipple with thread	1Y 320 340
1427	Quick fitting coupling without thread	1Y 320 338
1428	Plug nipple without thread	1Y 320 339
1429	Quick fitting coupling with thread	1Y 320 337
1430	Rocker switch	10 301 096
1477	Readswitch capacitive	10 301 813
1774	Connector	1Y 320 328
1776	Hinge type Metallamat-Mini SL	1Y 320 182
1778	Metallamat-Mini 2mm Mounting plate	1Y 320 183
1807	Receptacle housing Gr. 6,3	10 496 393
1808	Flat receptacle, 0.5-1.0	10 495 352
1809	Mains cable, 125V, length 2 m	1T 310 181
2147	Backpanel anthracite for cross flow radiator fan	BK 311 155
2216	Cup frame Evolution 91099281/0013	1T 311 186
245	Silicone hose ID 8 x 4 mm	1L 300 136
246	Cable fastener	10 298 421
2545	Backpanel silver	BK 311 406
2546	Door refrigeration unit 320 silver	1T 311 597
2547	Seal for front door	1H 325 280
2548	Lock to refrigerator	1T 311 545
2549	Temperature sensor with cable	1T 311 544
255	Torque screw M4x8 mm	1T 310 040
2550	Temperature controller EKC 102A	1T 311 543
2553	Temp. controller EKC 102A/115V	1T 311 602
2566	Mains cable CN, AUS, NZ 10A	1T 311 643
2582	Back wall & fan, black high gloss	1T 311 691
2588	Door refrigeration unit 320 black	1T 311 734
336	Clip M4	1T 310 016
361	Mains suppression filter	1T 310 054
362	Mains cord (-CH-) 2m black	1T 310 036
364	Mains cable black 2 m	1T 310 225
366	Mains cable GB	1T 311 487
480	Foot 30mm	1T 310 199
483	Washer	1L 300 372
484	Hex. nut M8	02 224 005
5062	Y distributor	1T 310 489
5071	Side panel le/ri w/hole silver	1Y 321 035

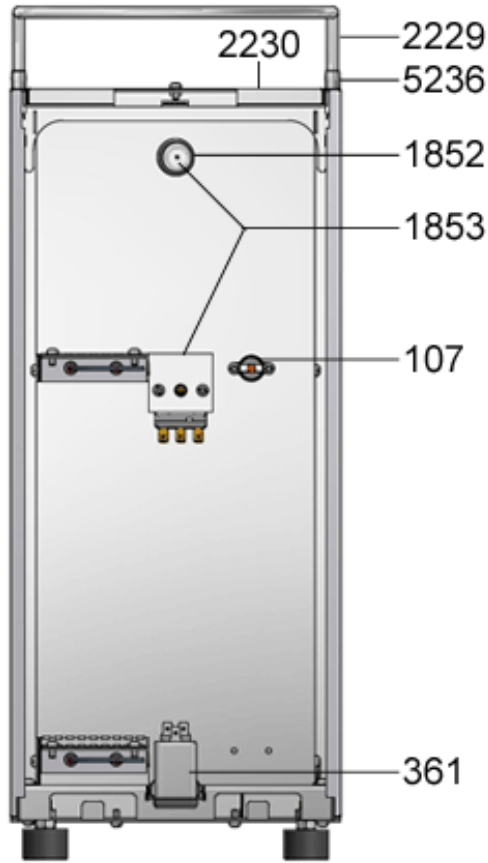
5072	Side panel le/ri w/hole anthracite	1Y 321 036
5073	Side panel le/ri w/hole black	1Y 321 037
5153	Feedthrough grommer DA 80/100/15	10 300 394
5236	Cup frame adapter	1Y 320 047
5381	metallised anthracite Side panel le	1Y 320 126
5407	Bung CMD adapter	1Y 320 578
5460	Side panel left/right black without	1Y 320 446
5464	Side wall silver	1Y 320 416
5473	Nozzle to cappu	1Y 320 676
5487	Cleaningbox	1Y 320 683
5500	Reinforcement plate left	1Y 320 387
5501	Reinforcement plate right	1Y 320 388
5752	Motor protection relay to KE TM	BK 312 557
5776	Handle milk removal red	1Y 320 718
5777	Handle milk removal blue	1Y 320 719
5779	O-Ring 4.48x1.78	1T 312 308
5785	Cleaningbox EN / FR	1Y 320 814
5811	Key to lock	1T 312 954
5846	Draining angle	1T 312 688
6416	Foot 40mm	1H 326 056
6573	Screw sleeve foot 100mm	1H 326 057
6637	rubber foot	BK 326 484
6649	EMI Filter	1H 326 561
6688	Foot cpl.	1N 330 514
6808	Foot 70mm adjustable	BK 326 770
6809	Screw sleeve to foot 70mm	1H 326 769
6857	measuring jug 1000ml	1H 327 369
6982	Plug nipple D4	1H 327 576
7055	Foam plastic sealing fridge	1H 327 404
7074	Capacitor 60mF	BK 312 637
7086	Cover for container 12 Liter	1H 327 865
7087	Slide	1H 327 867
7088	Milk container 12 litres	BK 328 009
7089	Container 12 Liter	1H 327 864
7102	Excerpt	1H 325 368
7103	Gallons holder	1H 325 369
7128	Ventilator 230V50/60	1H 327 979
7129	Ventilator 115V	1H 327 980
7130	Thermostat Ranco K50-L3409	BK 327 875
7144	Fast coupling CMB	1H 327 838
7214	insulation cut to length	BK 328 550
7219	Excerpt 2 x container 4.5 liter	1H 328 472
7569	Fan grid	1H 328 954
7577	PTC-Start unit 230V	1H 329 057
7578	PTC-Start unit 115V	1H 329 058
7600	4.5l milk container	1H 329 000
7601	Blue color clip	1H 329 001
7602	Red color clip	1H 329 002
7631	Hex nuts 12x1	1H 326 146
7638	Washer D=4	1H 328 964
7648	Mounting to wall sensor	1H 329 258
7682	Cover to milk container 4.5 Liter	1H 329 616

Sinfonia - Cup warmer

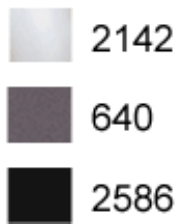
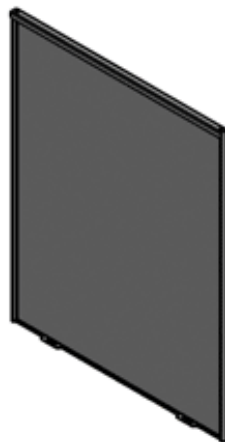


Evolution
Evolution Plus
Sinfonia

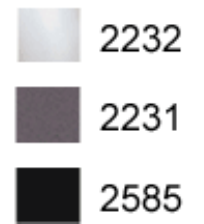
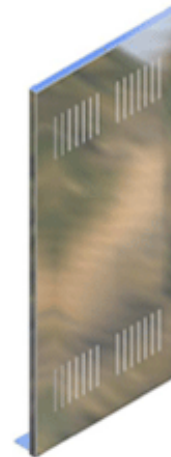


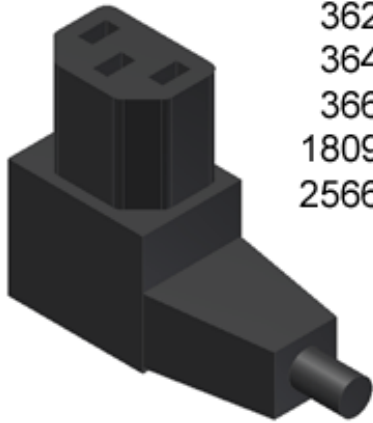
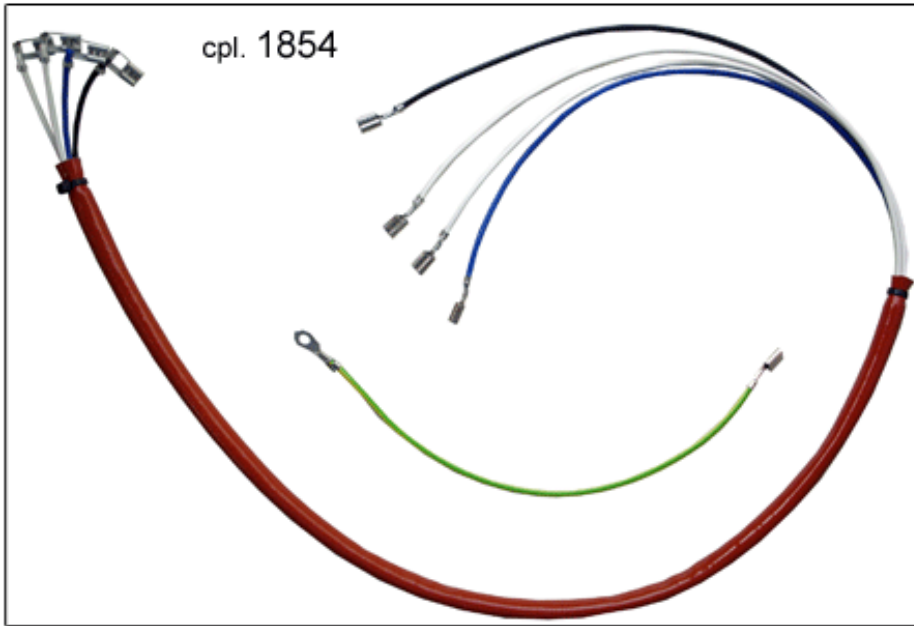


Seitenwand links/rechts
Side panel left/right
Panneau latéral gauche/droit

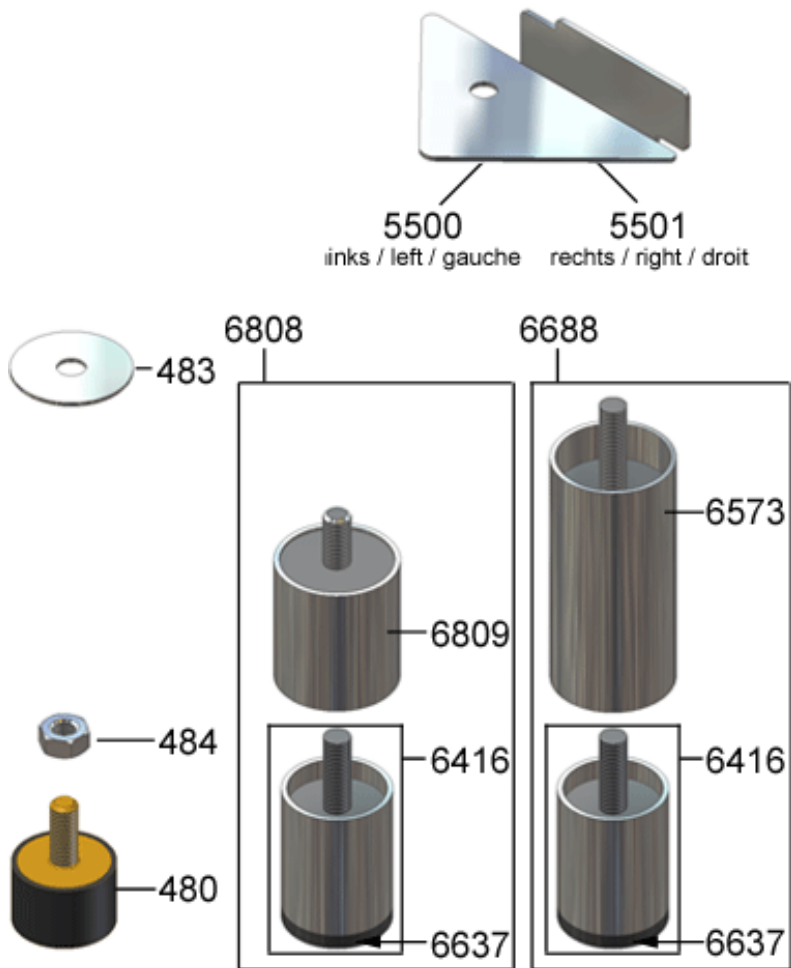


Rückwand
Rear panel
Panneau arrière





- 362 Type J (CH,LI)
- 364 Type E+F (BE,CZ,DE,FR,PL,SK,TN)
- 366 Type G (GB,IE,MY,SG)
- 1809 Type B (BR,CA,JP,MX,TW,USA)
- 2566 Type I (AR,AU,CN,NZ,UY)



Pos. ▲	Name	Art. No.
107	Safety-thermostat	10 296 250
1430	Rocker switch	10 301 096
1809	Mains cable, 125V, length 2 m	1T 310 181
1851	Tube heating elements for cupheater	10 300 699
1852	Gasket	10 295 735
1853	thermostat 80°C	10 295 734
1854	Cable loom, Ecolino cup warmer	1T 310 324
2142	Side panel Evolution silver	1T 311 305
2229	Cup frame to add on units Evolution	1T 311 160
2230	Cover to add on units Evolution	1T 311 161
2231	Back panel to add on units anth. an	1T 311 308
2232	Back panel to add on units silver I	1T 311 307
2566	Mains cable CN, AUS, NZ 10A	1T 311 643
2585	Back panel black	1T 311 694
2586	side panel black	1T 311 692
361	Mains suppression filter	1T 310 054
362	Mains cord (-CH-) 2m black	1T 310 036
364	Mains cable black 2 m	1T 310 225
366	Mains cable GB	1T 311 487
480	Foot 30mm	1T 310 199
483	Washer	1L 300 372
484	Hex. nut M8	02 224 005
5153	Feedthrough grommer DA 80/100/15	10 300 394
5236	Cup frame adapter	1Y 320 047
5500	Reinforcement plate left	1Y 320 387
5501	Reinforcement plate right	1Y 320 388
640	Sidepanel métallisé anthracite	1T 310 430

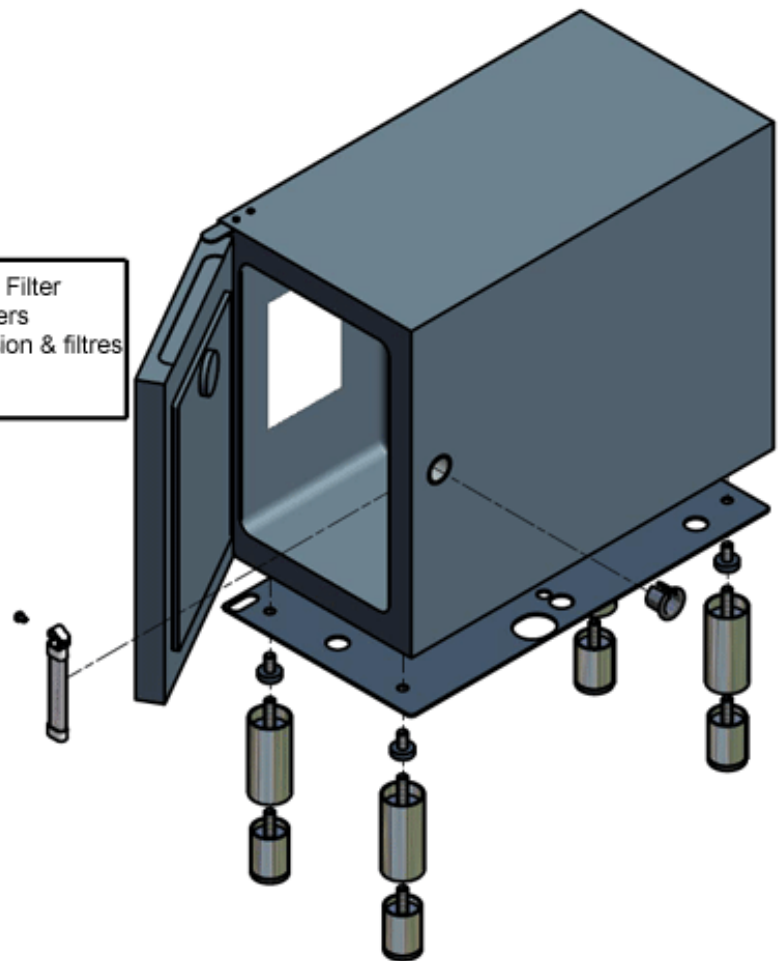
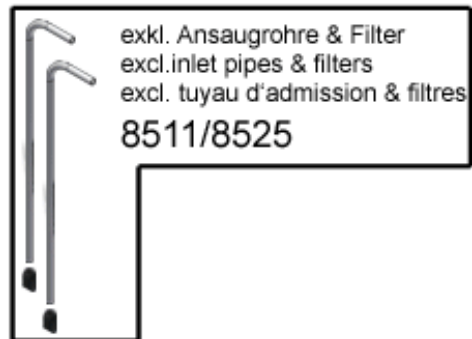
6416	Foot 40mm	1H 326 056
6573	Screw sleeve foot 100mm	1H 326 057
6637	rubber foot	BK 326 484
6688	Foot cpl.	1N 330 514
6808	Foot 70mm adjustable	BK 326 770
6809	Screw sleeve to foot 70mm	1H 326 769

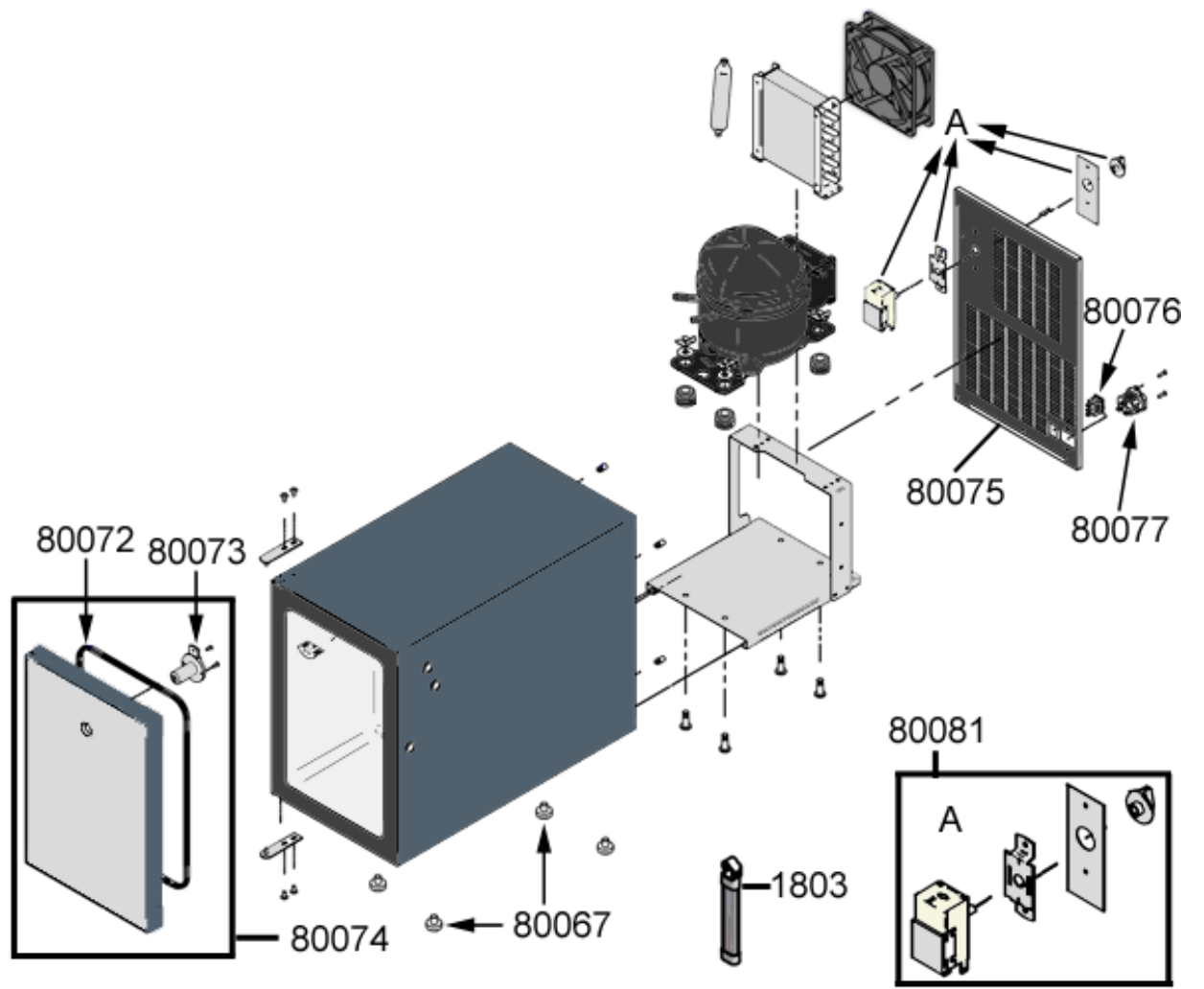
Sinfonia - Refrigeration unit 200

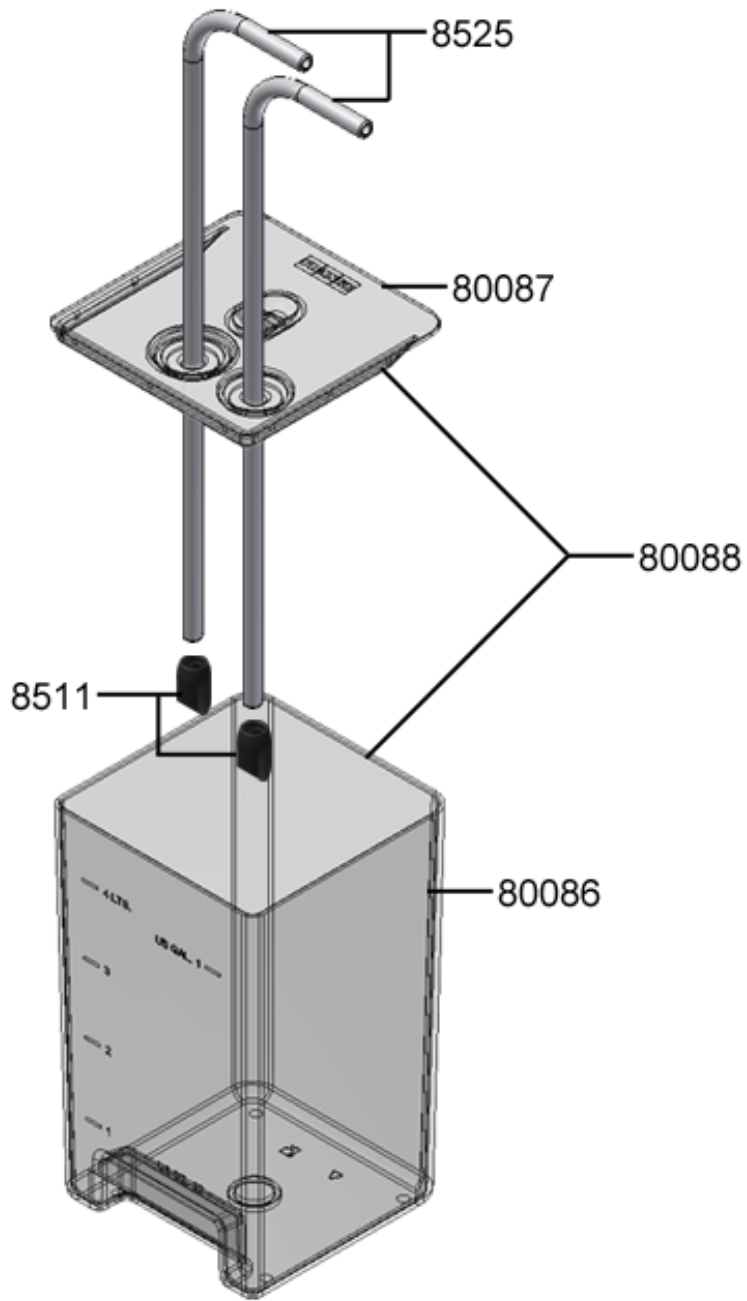
Pura
Evolution
Sinfonia

Cpl.
8994

inkl. Füße (7&100mm)
incl. Feets (7&100mm)
incl. Pieds (7&100mm)







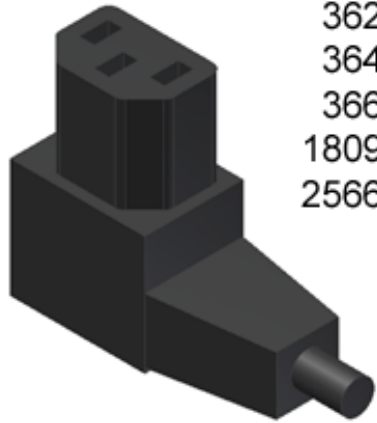
Ersatzteile Kompressoren KE200 / KE225 / Chill&Cup / UKE
 Spare parts compressors KE200 / KE225 / Chill&Cup / UKE

Hersteller	Ventilator / Fan		Klixon		Starter	
	LG	Cubigel	LG	Cubigel	PTC	Relais
KE200 230V	1811	1804	1813	-	1815	5765
KE200 115V	1805	1805	1814	-	1816	5764
KE225 230V	1804	1804	1813	-	1815	5765
KE225 115V	1805	1805	1814	-	1816	5764
Chill&Cup 230V	1860	1804	1813	-	1815	5765
UKE 230V	1804	1804	1813	-	1815	5765
UKE 115V	1805	1805	1814	-	1816	5764

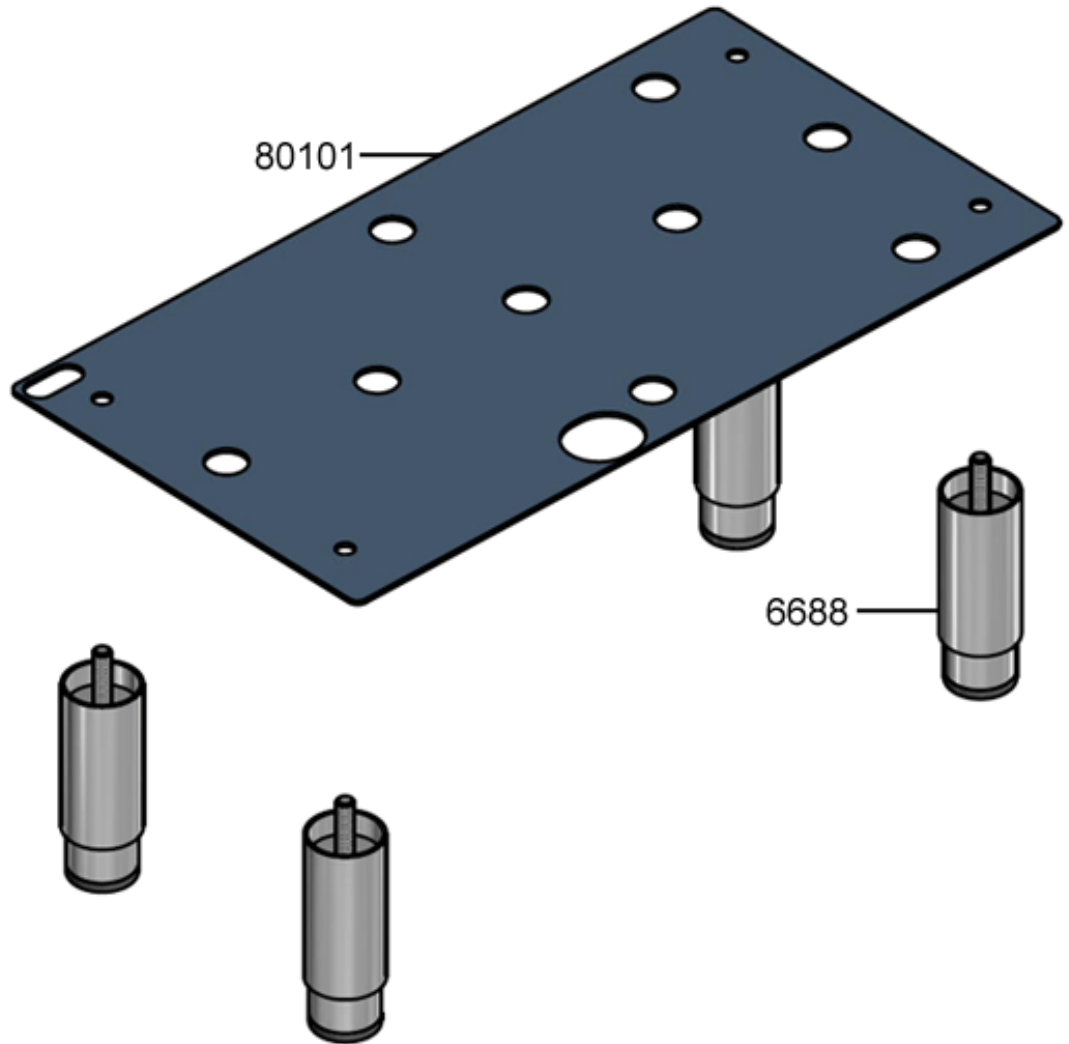
Milchschlauch / milk hose / tuyau à lait

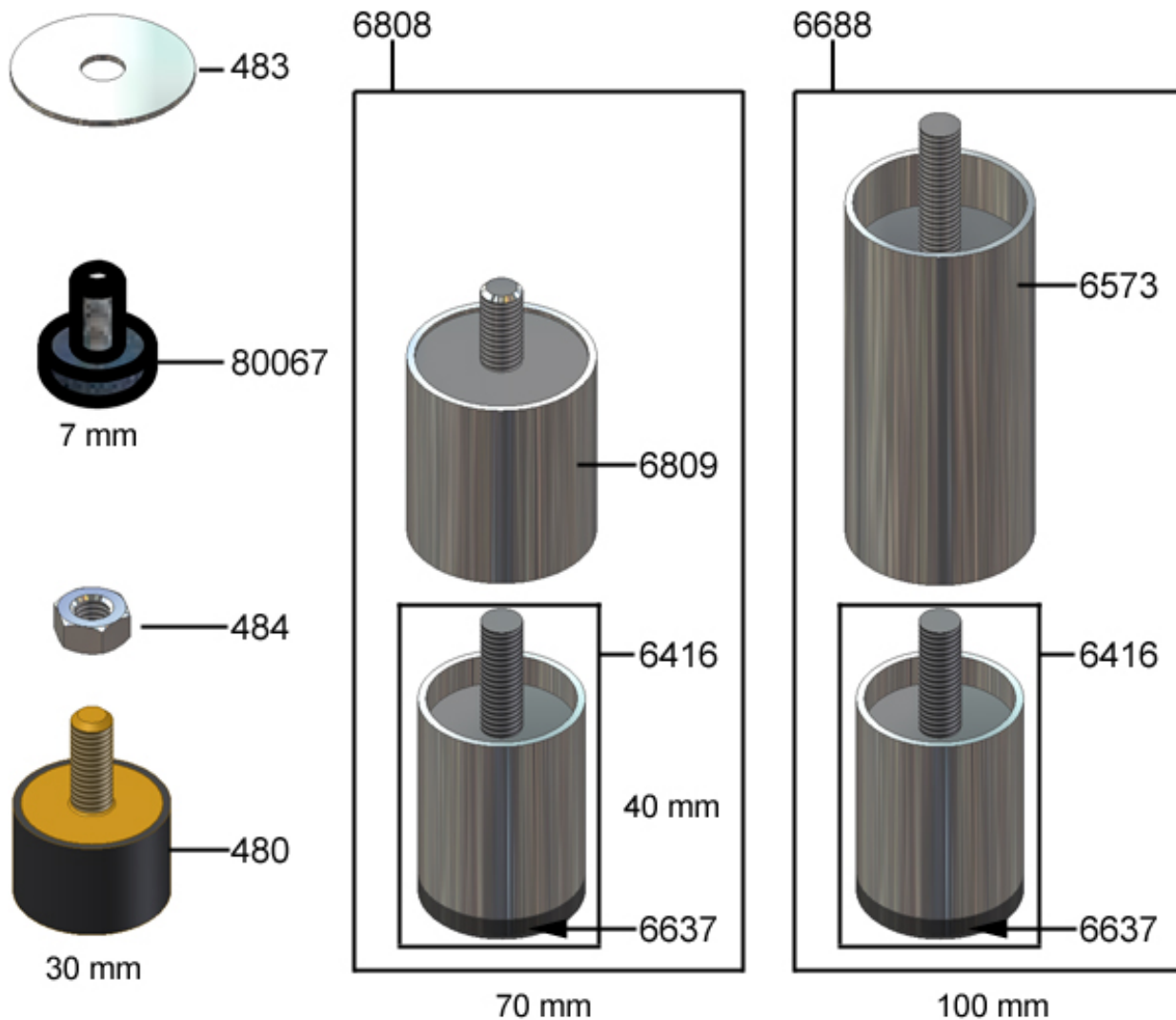


- 3509 Pura (670mm)
- 241 Evolution (750mm)
- 241 Sinfonia (650mm)
- 245 Spectra CF2 old milkpump (800mm)
- 3509 Spectra CF2 new milkpump (800mm)



- 362 Type J (CH,LI)
- 364 Type E+F (BE,CZ,DE,FR,PL,SK,TN)
- 366 Type G (GB,IE,MY,SG)
- 1809 Type B (BR,CA,JP,MX,TW,USA)
- 2566 Type I (AR,AU,CN,NZ,UY)





Pos. ▲	Name	Art. No.
1803	Thermometer to refrigerator	1T 310 055
1804	Fan 220 V	BK 310 185
1805	Fan 115V	BK 310 186
1809	Mains cable, 125V, length 2 m	1T 310 181
1811	Ventilator 220-240V50Hz	BK 312 911
1813	Klixon Vitrifrigo 230V50/60Hz	BK 312 913
1814	Klixon Vitrifrigo 115V60Hz	BK 312 914
1815	PTC Vitrifrigo 230V50/60Hz	BK 312 915
1816	PTC Vitrifrigo 115V60Hz	BK 312 916
1860	Ventilator 230V50/60	BK 312 960
241	Silicone hose ID= 3 mm	1L 296 485
245	Silicone hose ID 8 x 4 mm	1L 300 136
2566	Mains cable CN, AUS, NZ 10A	1T 311 643
3509	Hose silicone 5x2mm	1P 315 629
362	Mains cord (-CH-) 2m black	1T 310 036
364	Mains cable black 2 m	1T 310 225
366	Mains cable GB	1T 311 487
480	Foot 30mm	1T 310 199
483	Washer	1L 300 372

484	Hex. nut M8	02 224 005
5764	Relay GD24AD 115V 60HZ	BK 312 656
5765	Relay GD24NG 220/240V 50/60H	BK 312 657
6416	Foot 40mm	1H 326 056
6573	Screw sleeve foot 100mm	1H 326 057
6637	rubber foot	BK 326 484
6688	Foot cpl.	1N 330 514
6808	Foot 70mm adjustable	BK 326 770
6809	Screw sleeve to foot 70mm	1H 326 769
80067	Floor leveling screw M8x20	1N 330 105
80072	Seal for door KE200	1N 330 595
80073	Lock cpl. to KE200	1N 330 596
80074	Door cpl. KE200	1N 330 597
80075	Back panel for KE200	1N 330 598
80076	Rocker switch for KE200	1N 330 599
80077	Plug for KE200	1N 330 600
80081	Thermostat Ranco L3241 BUL 1100	1N 330 604
80086	Milkcontainer KE200	1N 330 569
80087	Cover milkcontainer KE200	1N 330 570
80088	4lt. milk container inc.Cover	1N 330 611
80101	Floor plate	1N 330 634
8511	Filter to the intake pipe	1N 330 649
8525	Long Intake pipe	1N 330 648
8994	KE200 115V 60Hz USA	1N 330 555