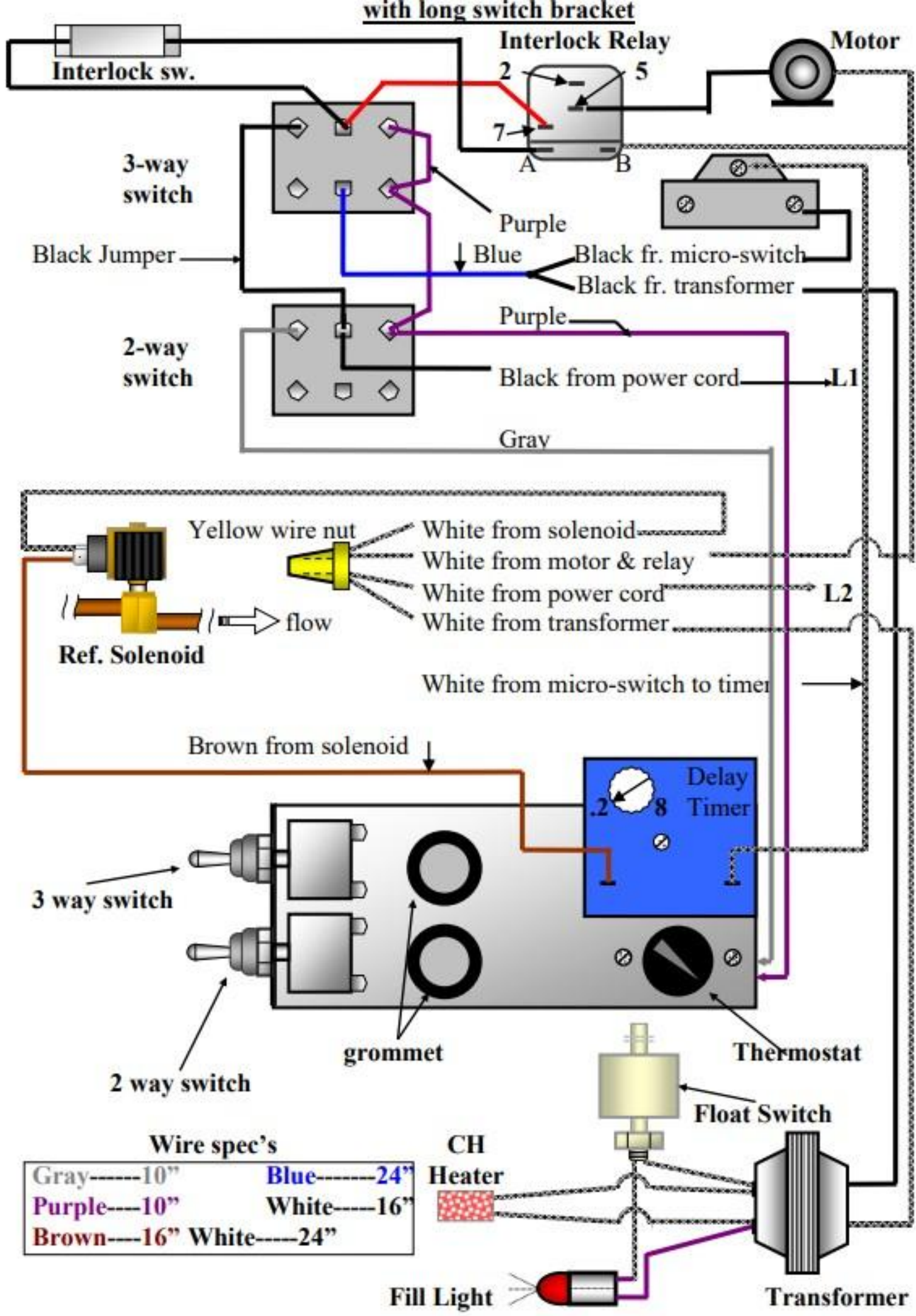


Note: Schematic is for either side of the dual machine.



Wire spec's

| | |
|----------------|---------------|
| Gray-----10" | Blue-----24" |
| Purple-----10" | White-----16" |
| Brown-----16" | White-----24" |