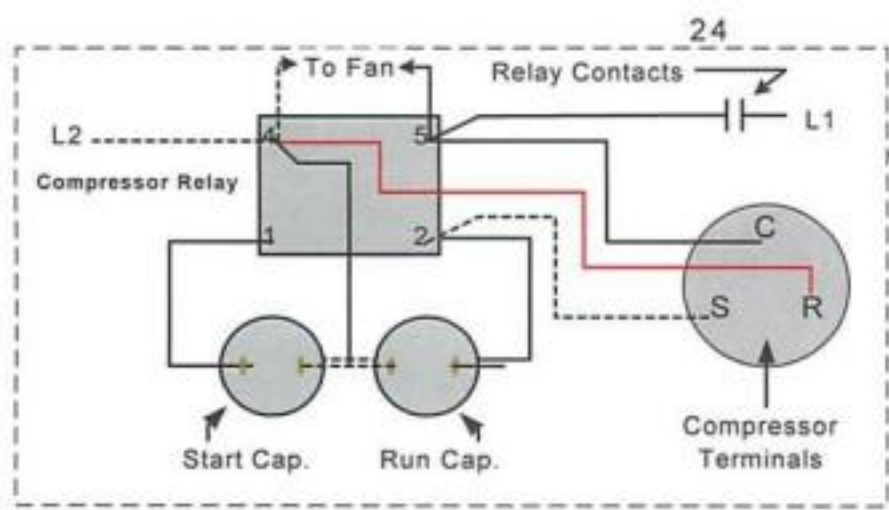


*** NOTE: BOTH STAND-BY SWITCHES MUST BE SELECTED TO THE "OVERNIGHT" POSITION TO TURN OFF FLAVOR LIGHT.**



NOTE: Drawing represents one side of a dual system. Compressor is controlled through the low pressure switch by the right or left refrigeration solenoid. The low pressure switch is pre-set to "Cut-in" at 30psi and "Cut-out" at 5psi.