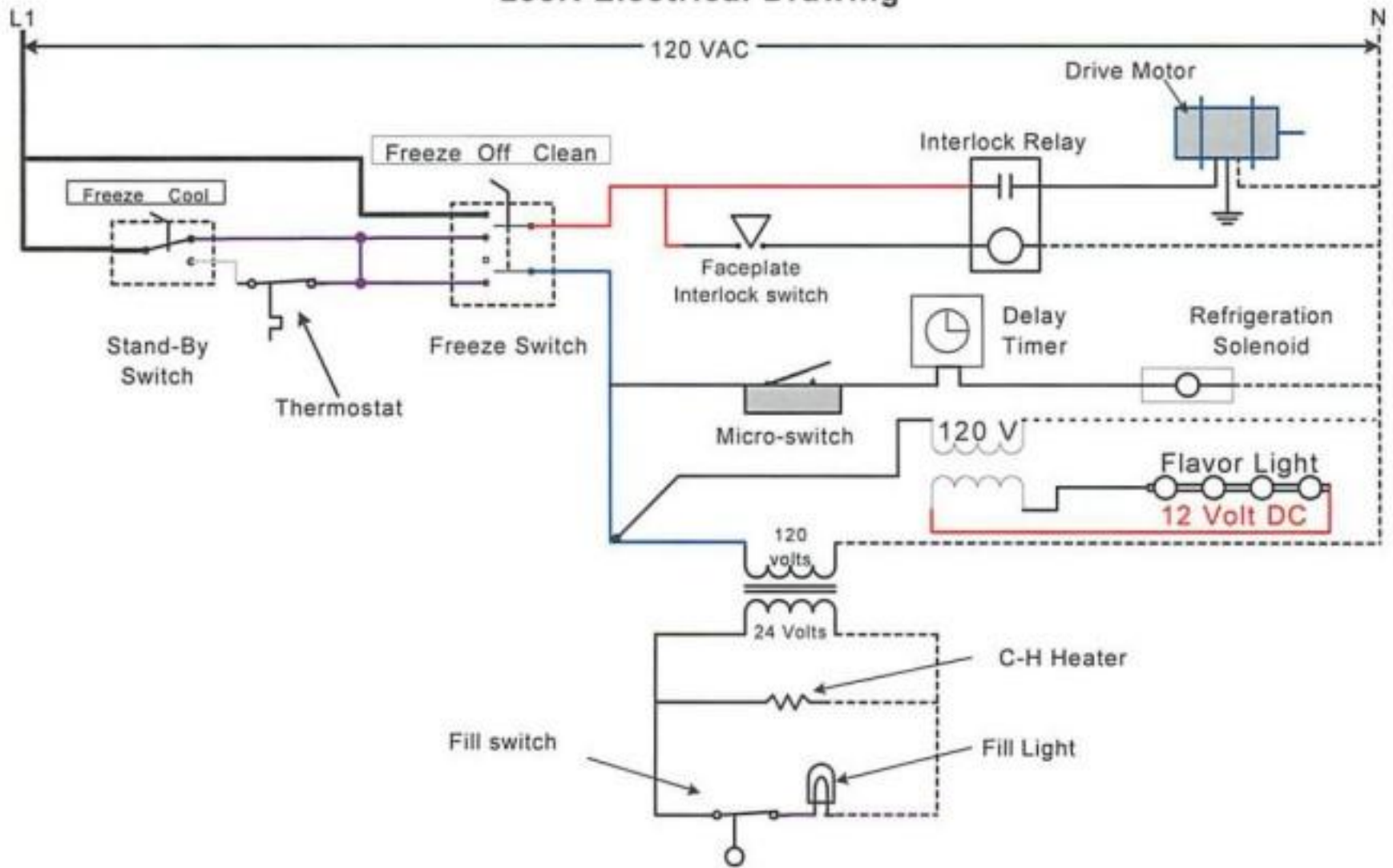


## 235R Electrical Drawing



NOTE: When refrigeration solenoid closes, condenser pressure drops. At 10 psi the condensing unit shuts off. When the refrigeration solenoid opens, condenser pressure rises, At 35 psi the condensing unit will cycle on after an approximate 2 minute delay.