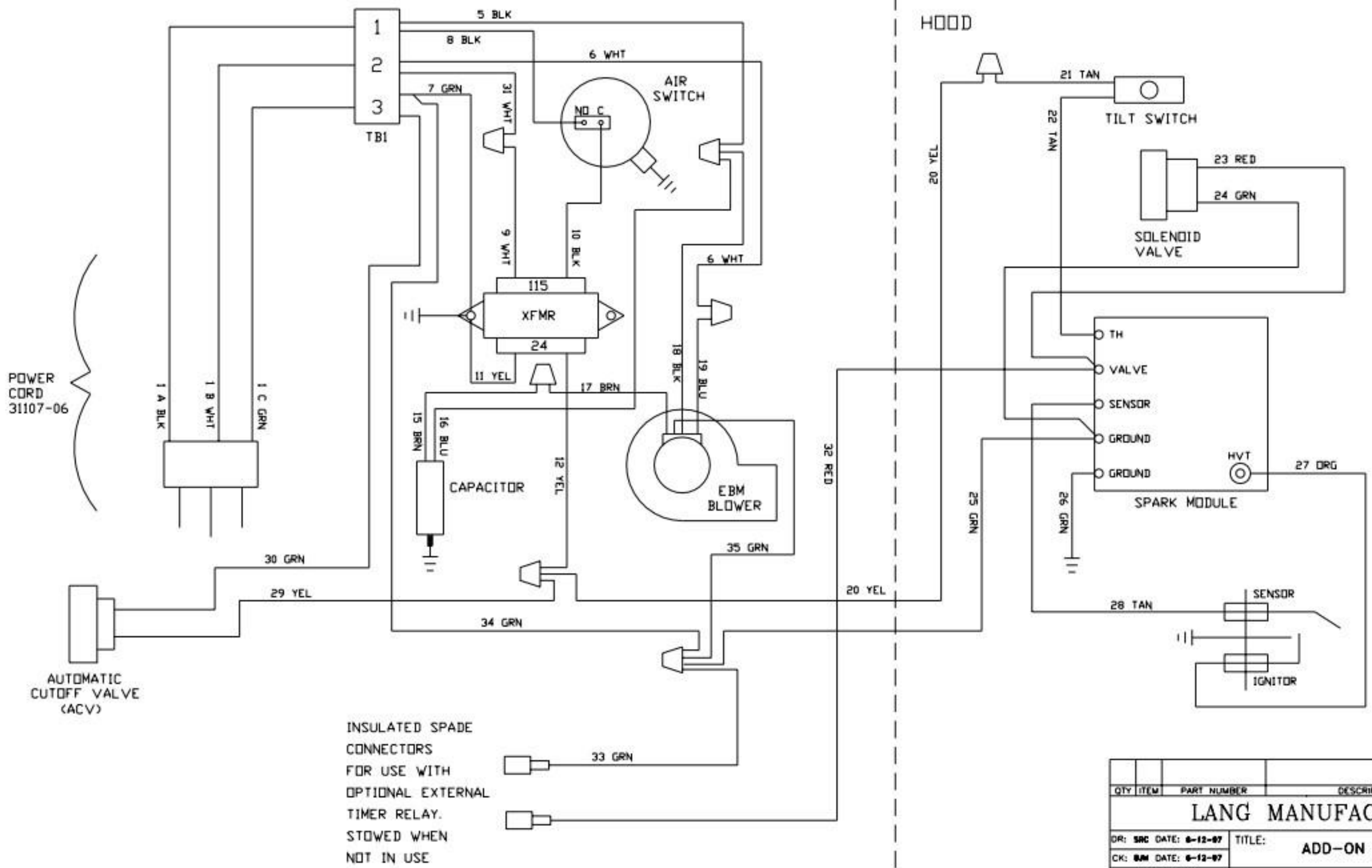


REVISION BLOCK						
REV	ECN NO.	DESCRIPTION	DR:	MFG	ENG	DATE
C		REMOVED WIRE 13 BLK	BJM			7-21-98

CARRIAGE

HOOD

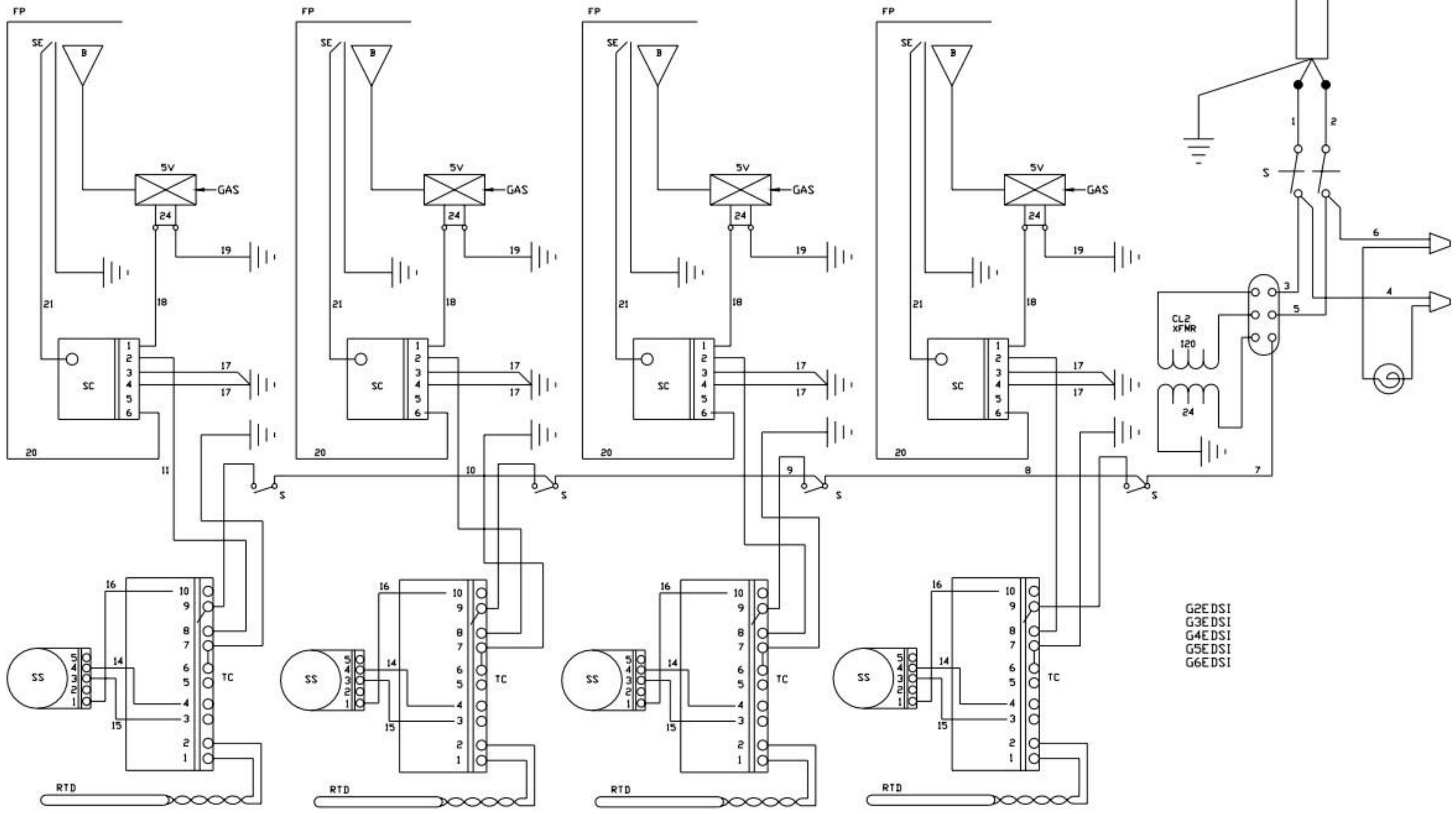


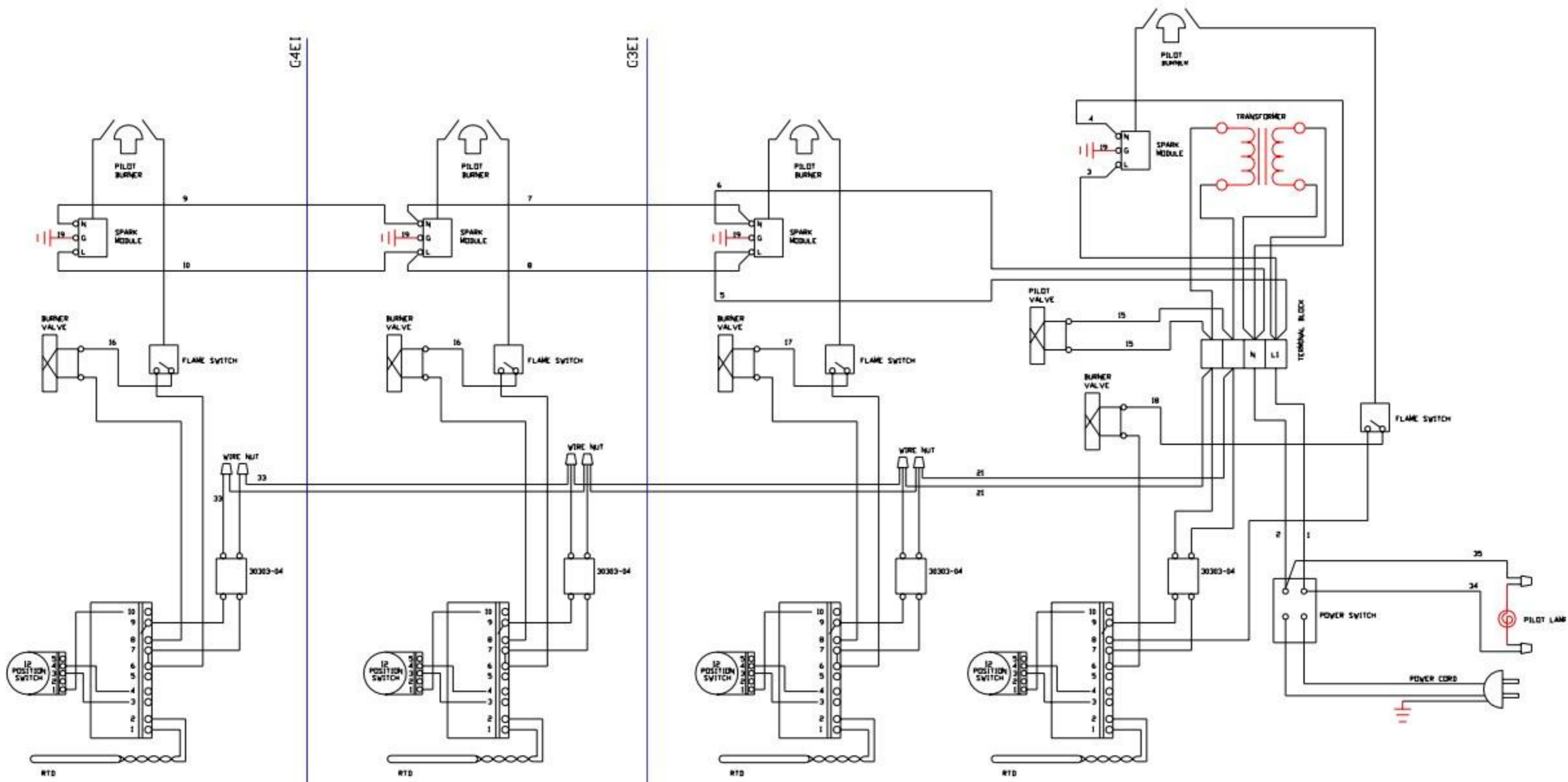
INSULATED SPADE CONNECTORS FOR USE WITH OPTIONAL EXTERNAL TIMER RELAY. STOWED WHEN NOT IN USE

QTY	ITEM	PART NUMBER	DESCRIPTION / MATERIAL
<b>LANG MANUFACTURING</b>			
DR: SRC DATE: 6-12-87		TITLE: ADD-ON GAS CLAMHELL	
CK: BJM DATE: 6-12-87		FIXED WIRING DIAGRAM	
TOLERANCES FRACTIONS DECIMALS ± 1/64 .X ± .06 ANGLES .XX ± .03 ± .5' .XXX ± .015 UNLESS OTHERWISE SPECIFIED DIMENSIONS ARE IN INCHES		NEXT HIGHER ASSY.	SHEET
SCALE: TO FIT		DRAWING NUMBER	
		61113-24	
		REV	C

# WIRING DIAGRAM G-EDSI

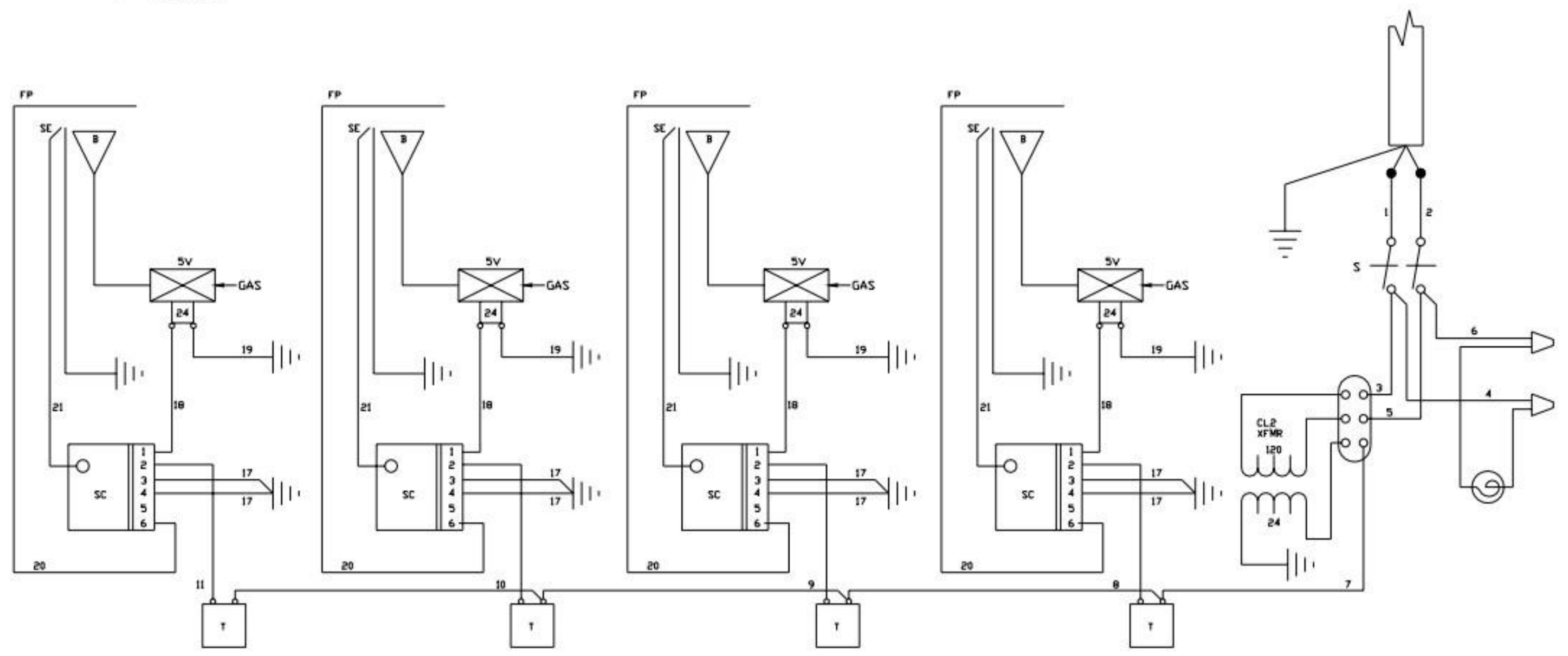
- FP = FLAME PROBE
- SE = SPARK ELECTRODE
- SC = SPARK CONTROL
- SV = SOLENOID VALVE
- SS = 12 POSITION SELECTOR SWITCH
- TC = TEMP. CONTROL BOARD
- B = BURNER
- S = SWITCH





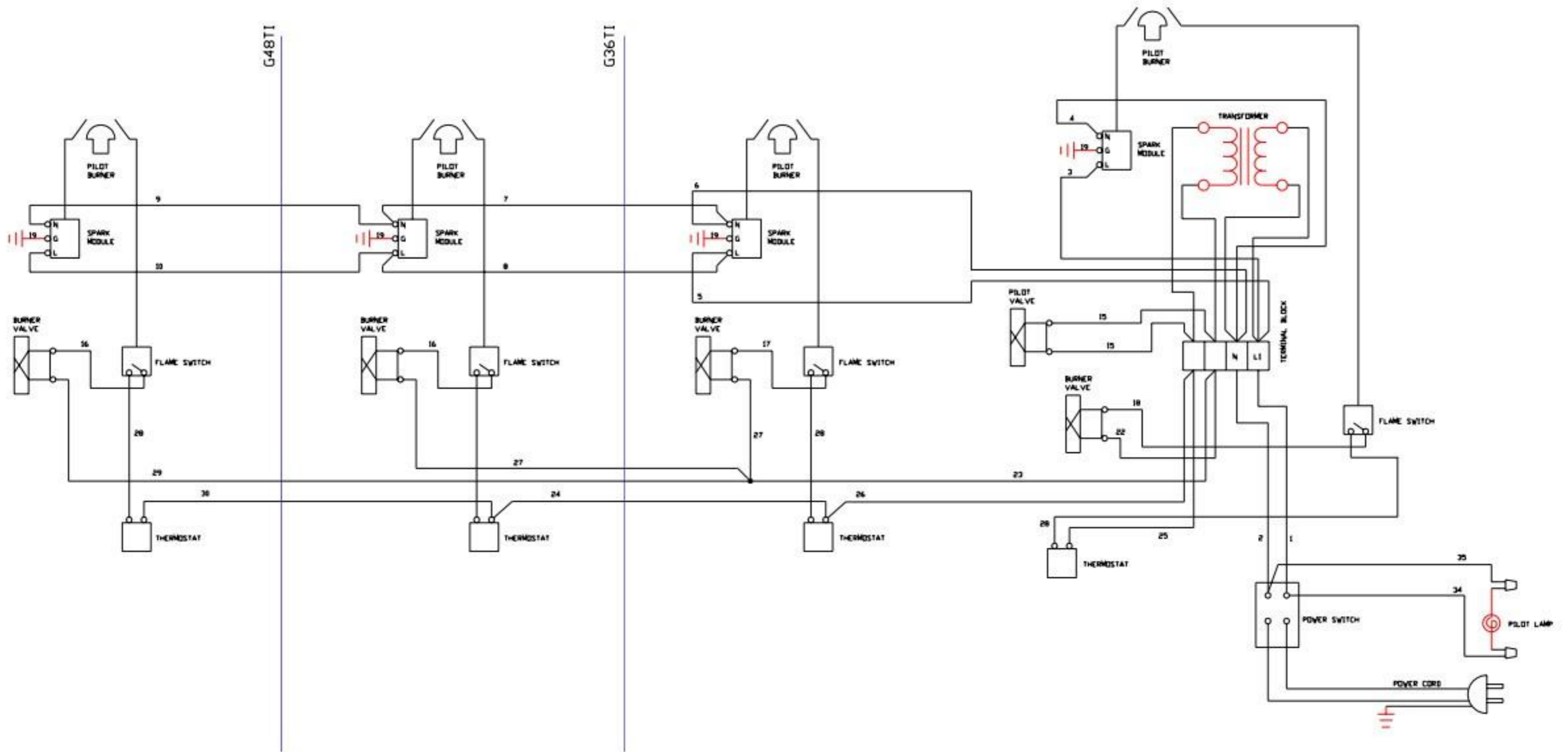
REVISION BLOCK						
REV	ECN NO.	DESCRIPTION	DR.	MFG	ENG	DATE

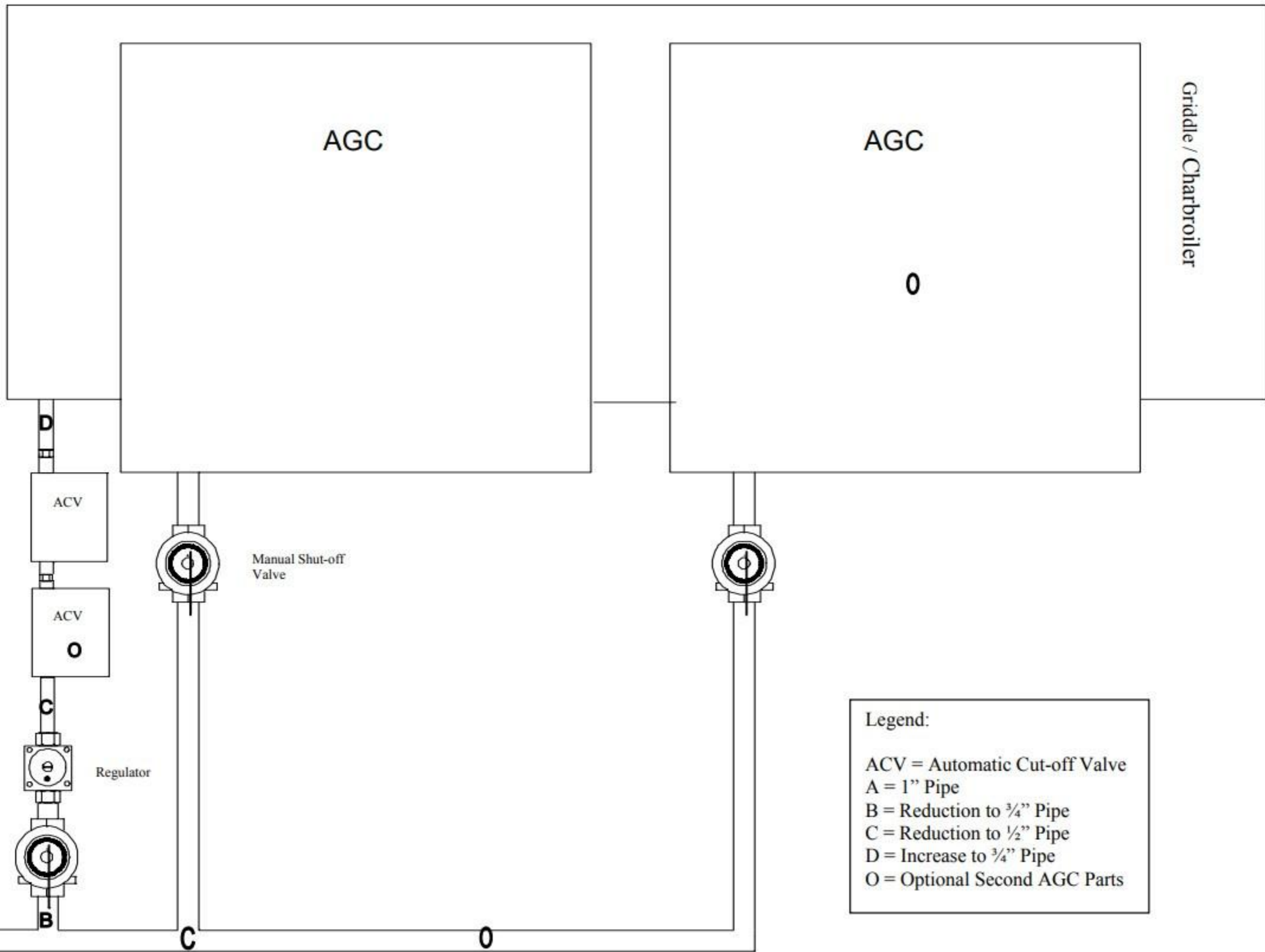
FP = FLAME PROBE  
 SE = SPARK ELECTRODE  
 SC = SPARK CONTROL  
 SV = SOLENOID VALVE  
 B = BURNER  
 T = THERMOSTAT



G24TDS1  
 G36TDS1  
 G48TDS1  
 G60TDS1  
 G72TDS1

QTY	ITEM	PART NUMBER	DESCRIPTION / MATERIAL
<b>LANG MANUFACTURING</b>			
DR: SMC DATE: 12-2-97		TITLE: GAS GRIDDLE DSI ACCUTEMP	
CK: DATE:		G48TDS1 WIRING DIAGRAM	
TOLERANCES FRACTIONS DECIMALS ± 1/64 .X ± .00 ANGLES .X0 ± .03 ± .5' .XXX ± .015 UNLESS OTHERWISE SPECIFIED DIMENSIONS ARE IN INCHES		NEXT HIGHER ASSY.	SHEET
SCALE: TO FIT		1 OF 1	DRAWING NUMBER
			61122-17
			REV





**Legend:**

- ACV = Automatic Cut-off Valve
- A = 1" Pipe
- B = Reduction to 3/4" Pipe
- C = Reduction to 1/2" Pipe
- D = Increase to 3/4" Pipe
- O = Optional Second AGC Parts