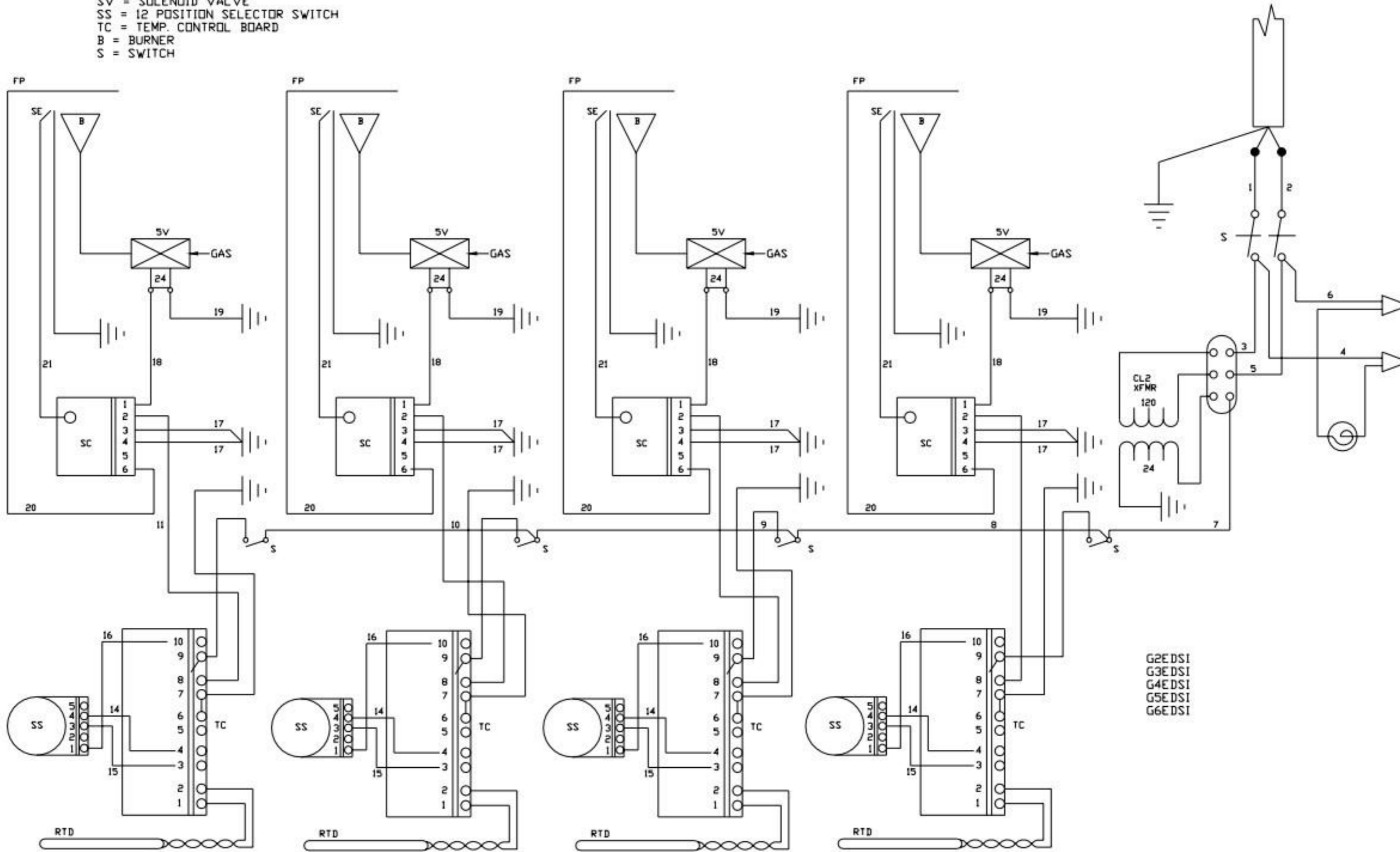
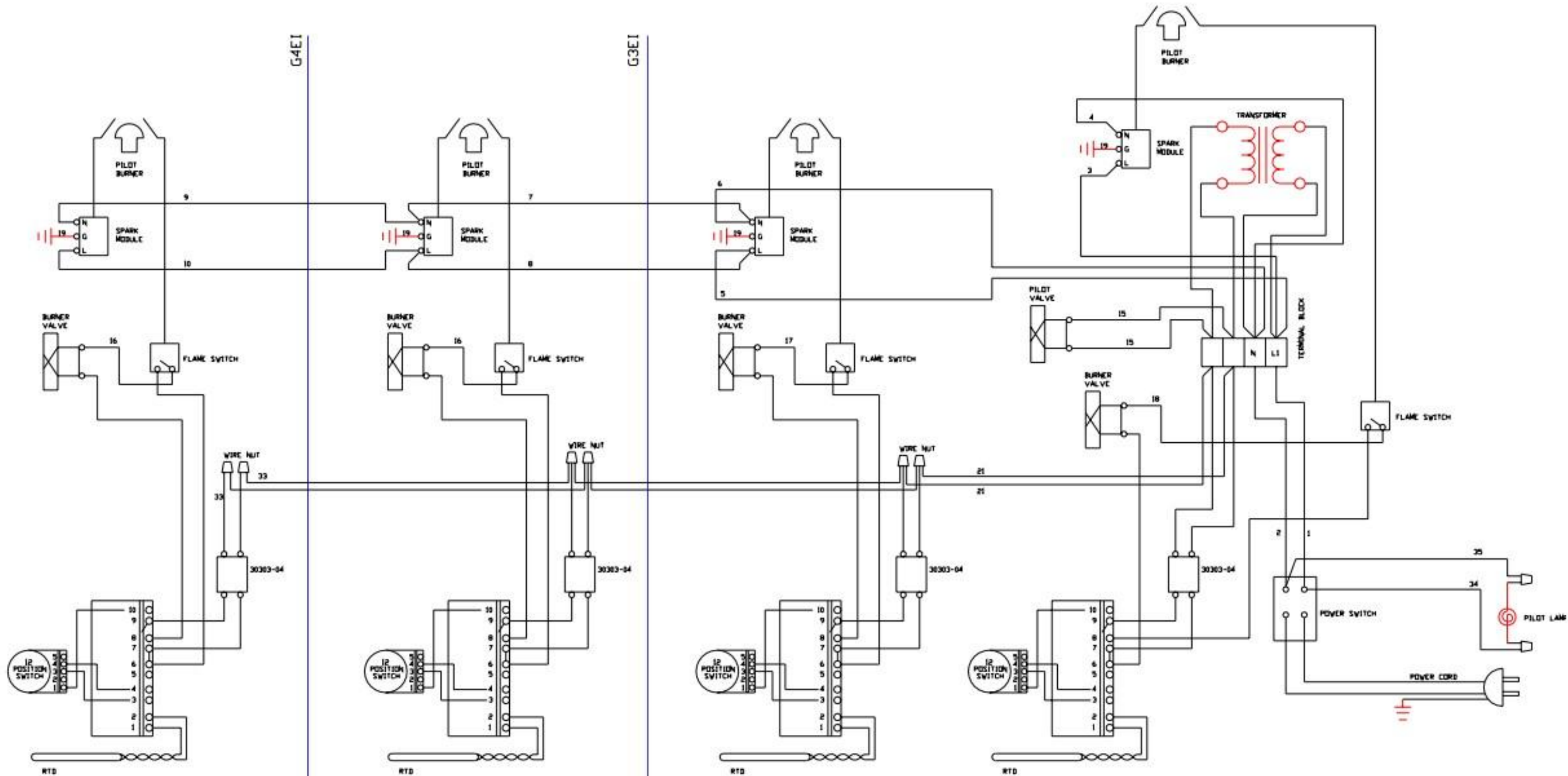


WIRING DIAGRAM G-EDSI

- FP = FLAME PROBE
- SE = SPARK ELECTRODE
- SC = SPARK CONTROL
- SV = SOLENOID VALVE
- SS = 12 POSITION SELECTOR SWITCH
- TC = TEMP. CONTROL BOARD
- B = BURNER
- S = SWITCH

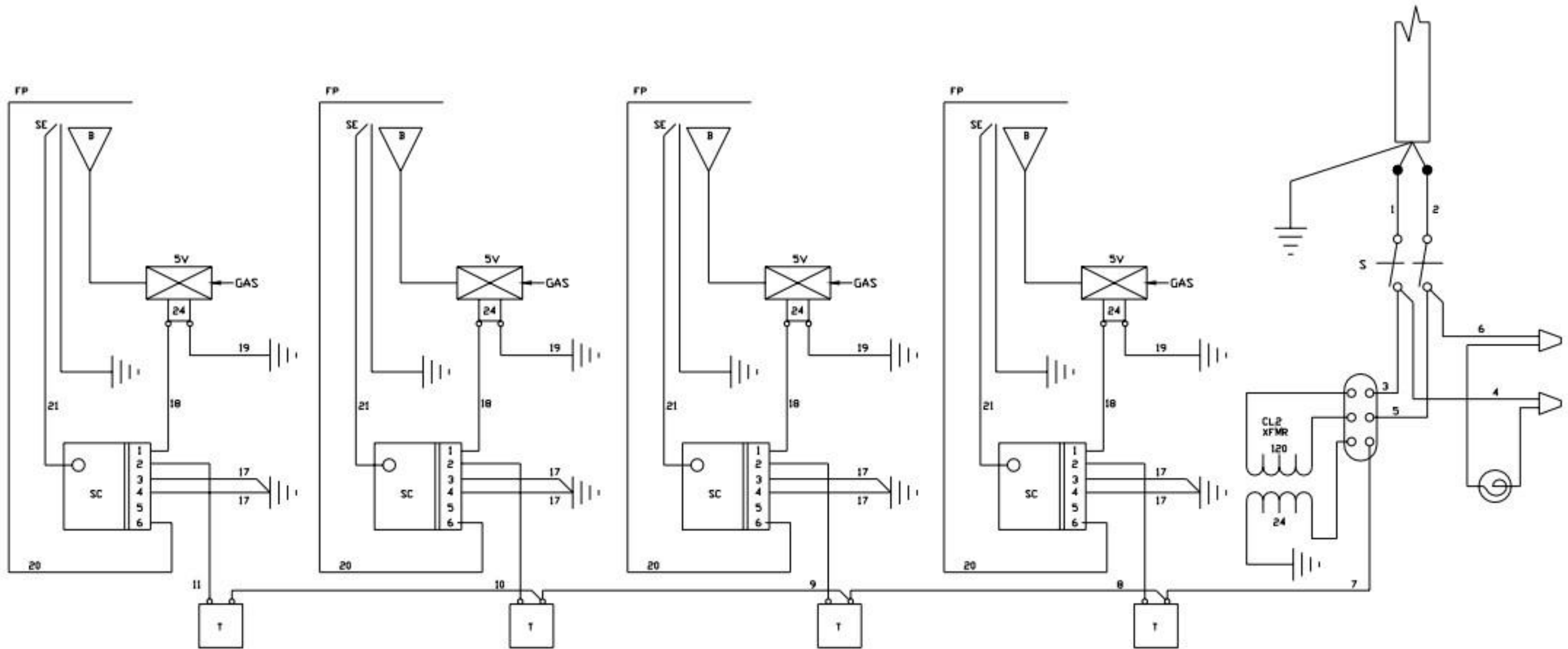


G2EDSI
G3EDSI
G4EDSI
G5EDSI
G6EDSI



FP = FLAME PROBE
 SE = SPARK ELECTRODE
 SC = SPARK CONTROL
 SV = SOLENOID VALVE
 B = BURNER
 T = THERMOSTAT

REVISION BLOCK						
REV	ECN NO.	DESCRIPTION	DR:	MFG	ENG	DATE



G24TDSI
 G36TDSI
 G48TDSI
 G60TDSI
 G72TDSI

QTY	ITEM	PART NUMBER	DESCRIPTION / MATERIAL
LANG MANUFACTURING			
DR: SMC DATE: 12-2-87		TITLE: GAS GRIDDLE DSI ACCUTEMP	
CK: DATE:		G48TDSI WIRING DIAGRAM	
TOLERANCES FRACTIONS DECIMALS ± 1/64 .X ± .05 ANGLES .XXX ± .03 ± .5 .XXX ± .015 UNLESS OTHERWISE SPECIFIED DIMENSIONS ARE IN INCHES		NEXT HIGHER ASSY.	SHEET
SCALE: TO FIT		DRAWING NUMBER	
		61122-17	
		REV	
		1 OF 1	

