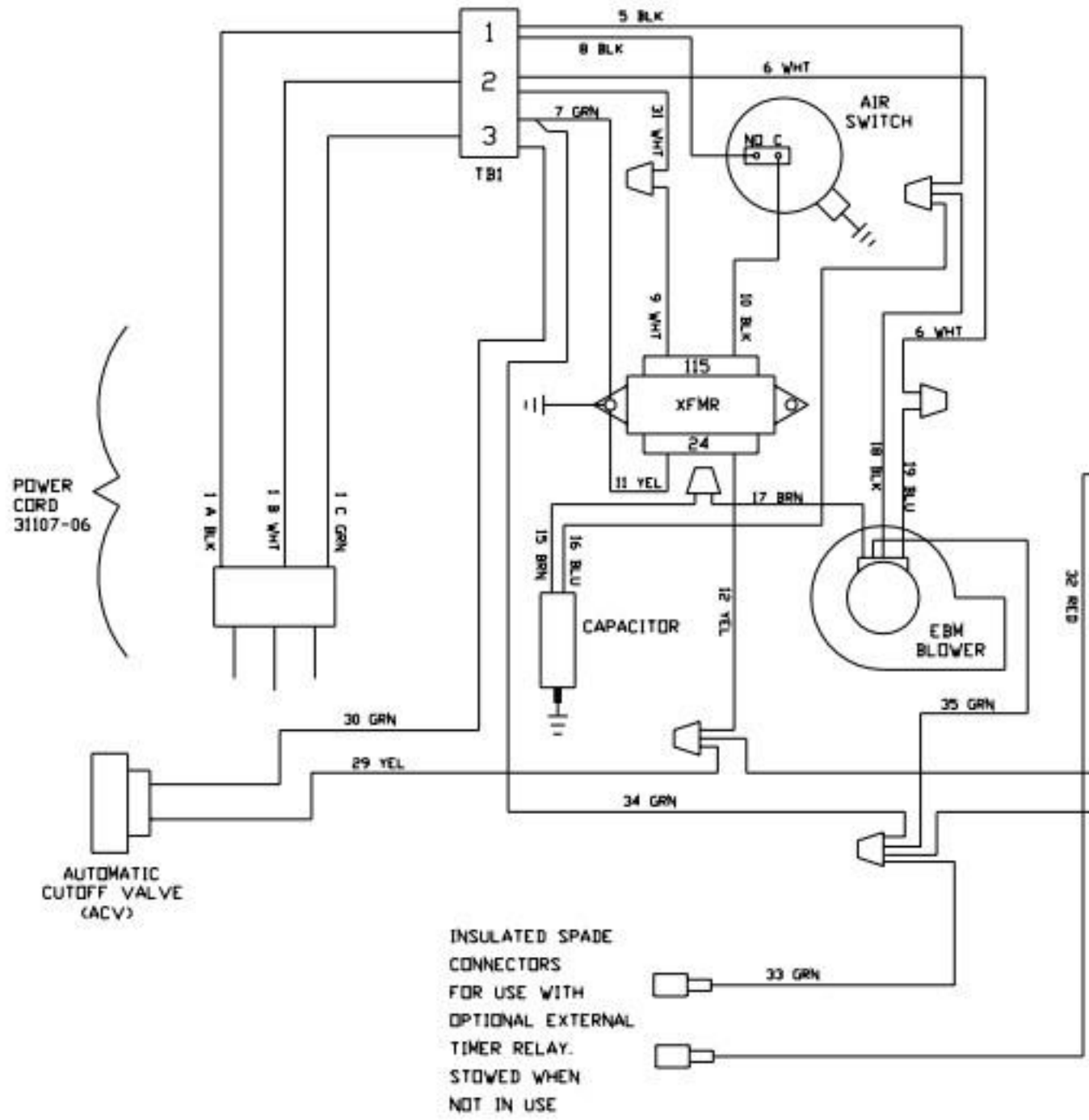
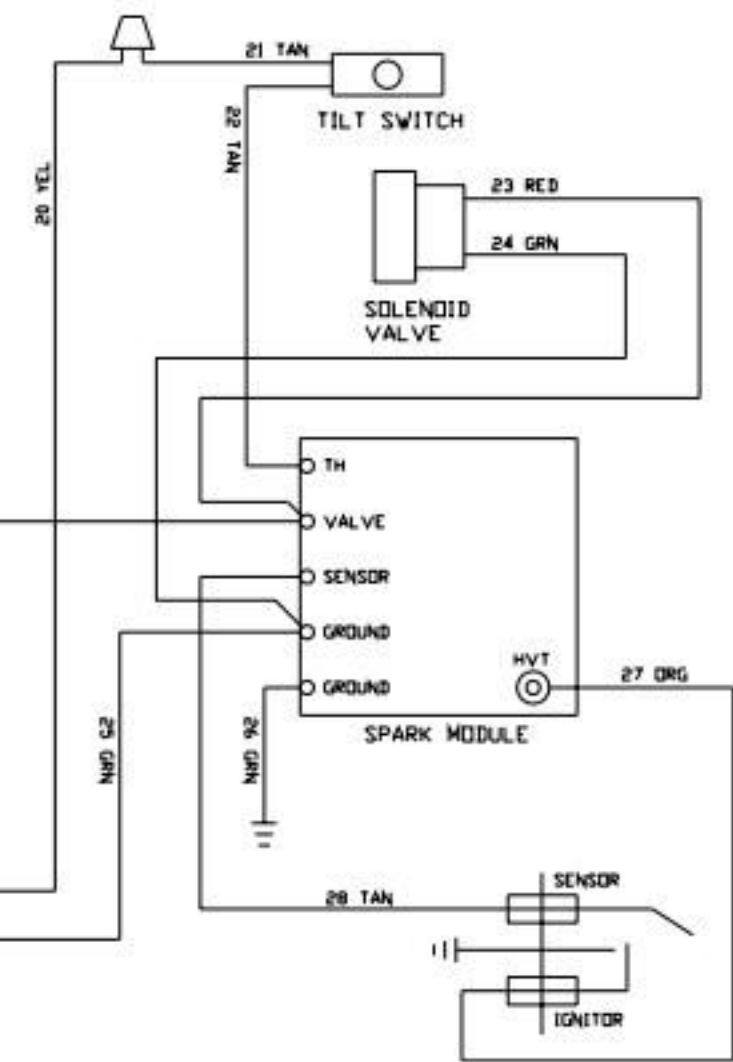


CARRIAGE

REVISION BLOCK						
REV	EDN NO.	DESCRIPTION	DR.	MFG	ENG	DATE
C		REMOVED WIRE 13 BLK	BJM			7-21-98



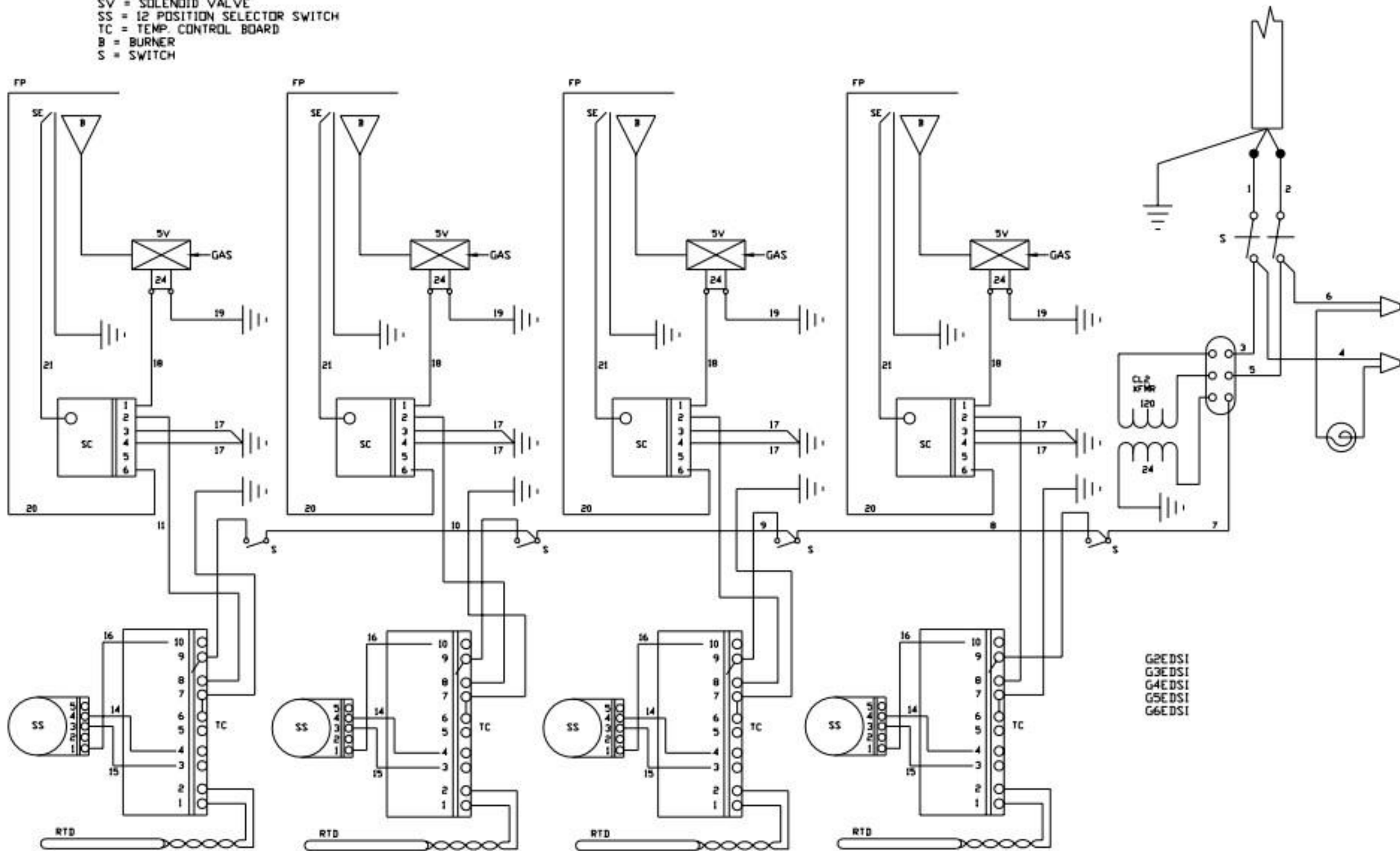
HOOD



QTY	ITEM	PART NUMBER	DESCRIPTION / MATERIAL
LANG MANUFACTURING			
DR: BMC	DATE: 8-23-87	TITLE:	ADD-ON GAS CLAMSHELL
CK: BJM	DATE: 8-23-87	FIXED WIRING DIAGRAM	
<small> TOLERANCES FRACTIONS DECIMALS 1/64 .0150 ANGLES .125 .005 .125 .005 .125 .005 UNLESS OTHERWISE SPECIFIED DIMENSIONS ARE IN INCHES </small>		NEXT HIGHER ASSY.	SHEET
SCALE: 10 FIT		1 OF 1	DRAWING NUMBER
			61113-24
			REV
			C

WIRING DIAGRAM G-EDSI

- FP = FLAME PROBE
- SE = SPARK ELECTRODE
- SC = SPARK CONTROL
- SV = SOLENOID VALVE
- SS = 12 POSITION SELECTOR SWITCH
- TC = TEMP. CONTROL BOARD
- B = BURNER
- S = SWITCH



G2EDSI
G3EDSI
G4EDSI
G5EDSI
G6EDSI

