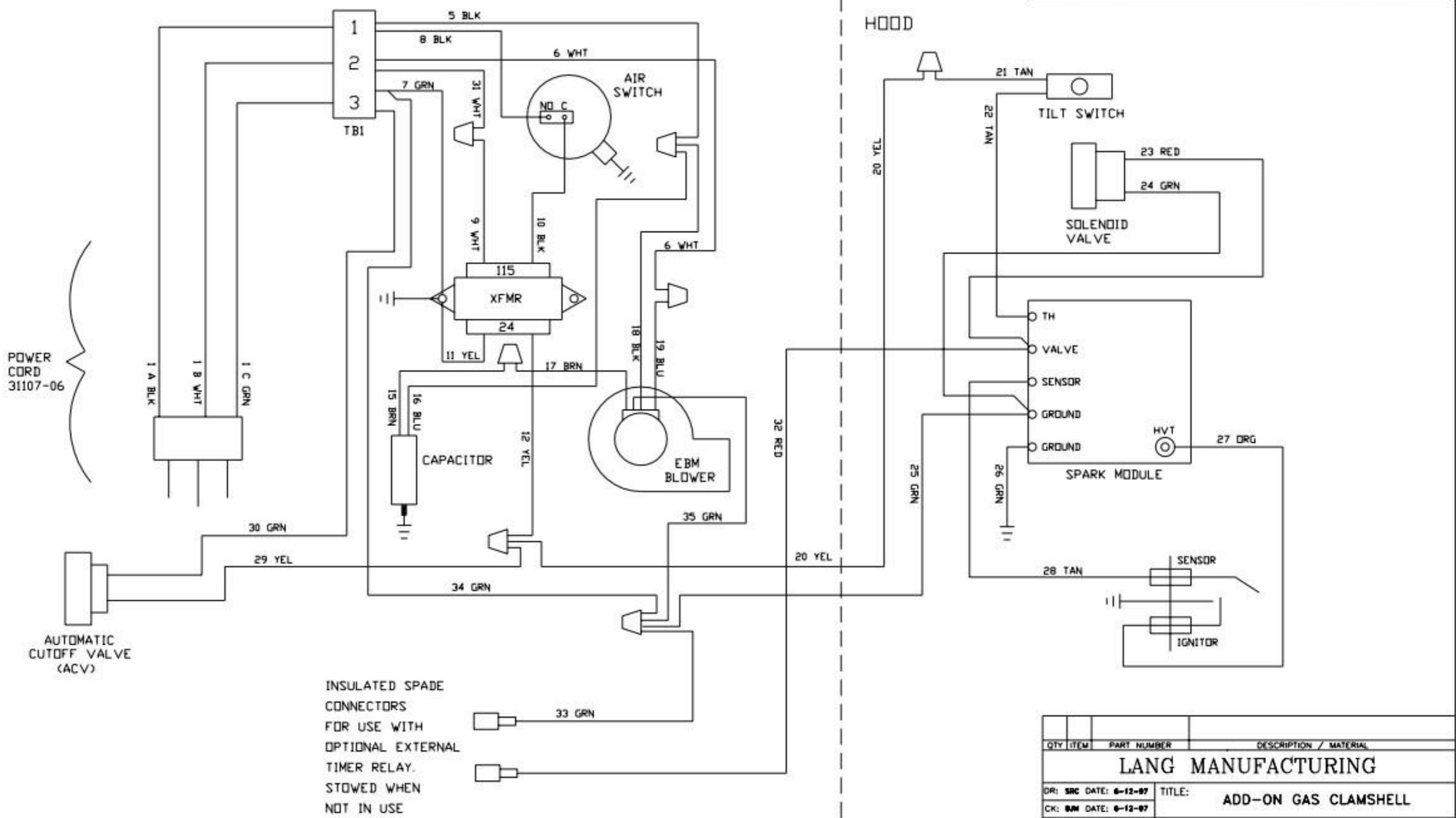


REVISION BLOCK						
REV	ECN NO.	DESCRIPTION	DR.	MFG	ENG	DATE
C		REMOVED WIRE 13 BLK	BJM			7-21-98

CARRIAGE

HOOD



POWER CORD
31107-06

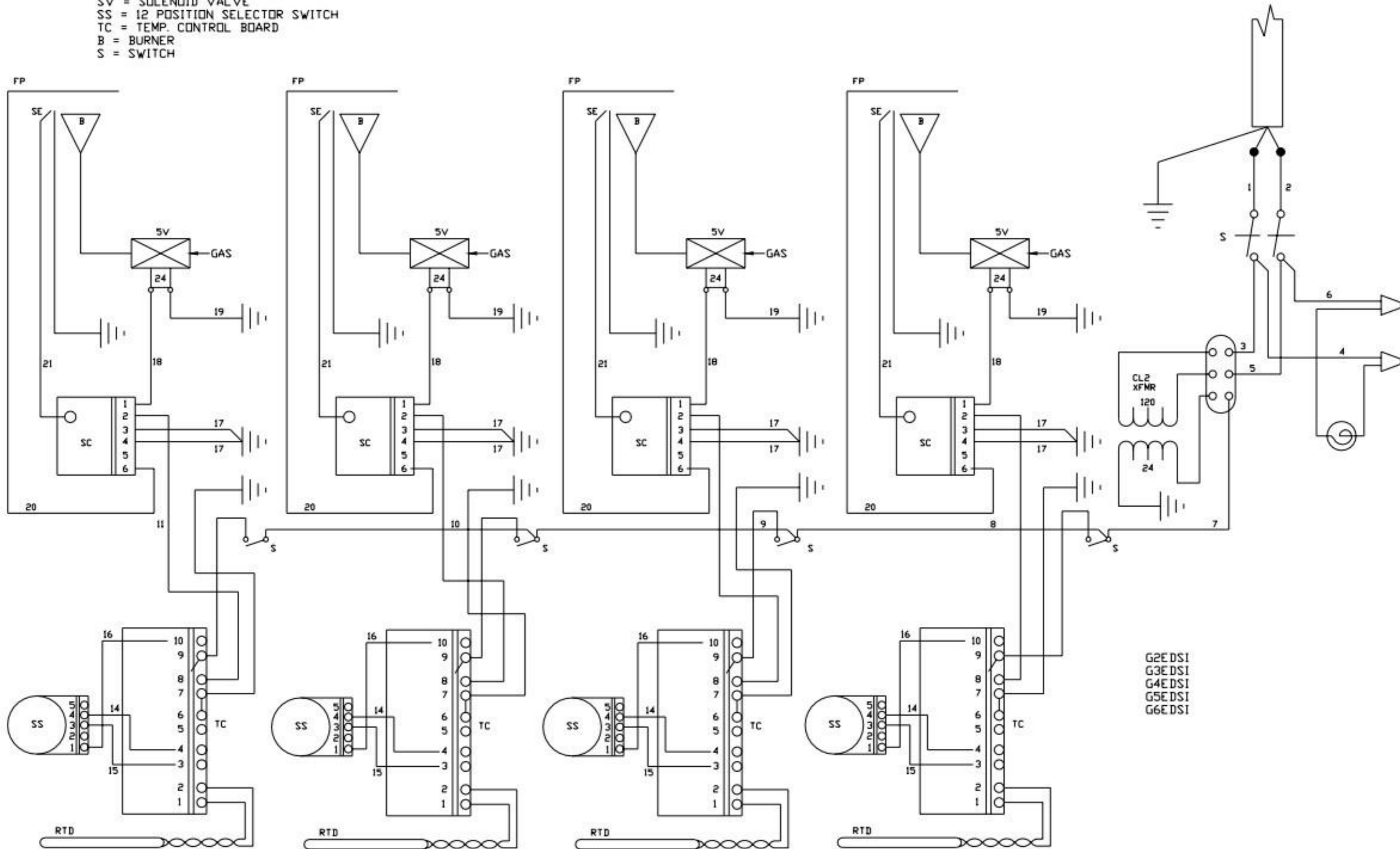
AUTOMATIC CUTOFF VALVE (ACV)

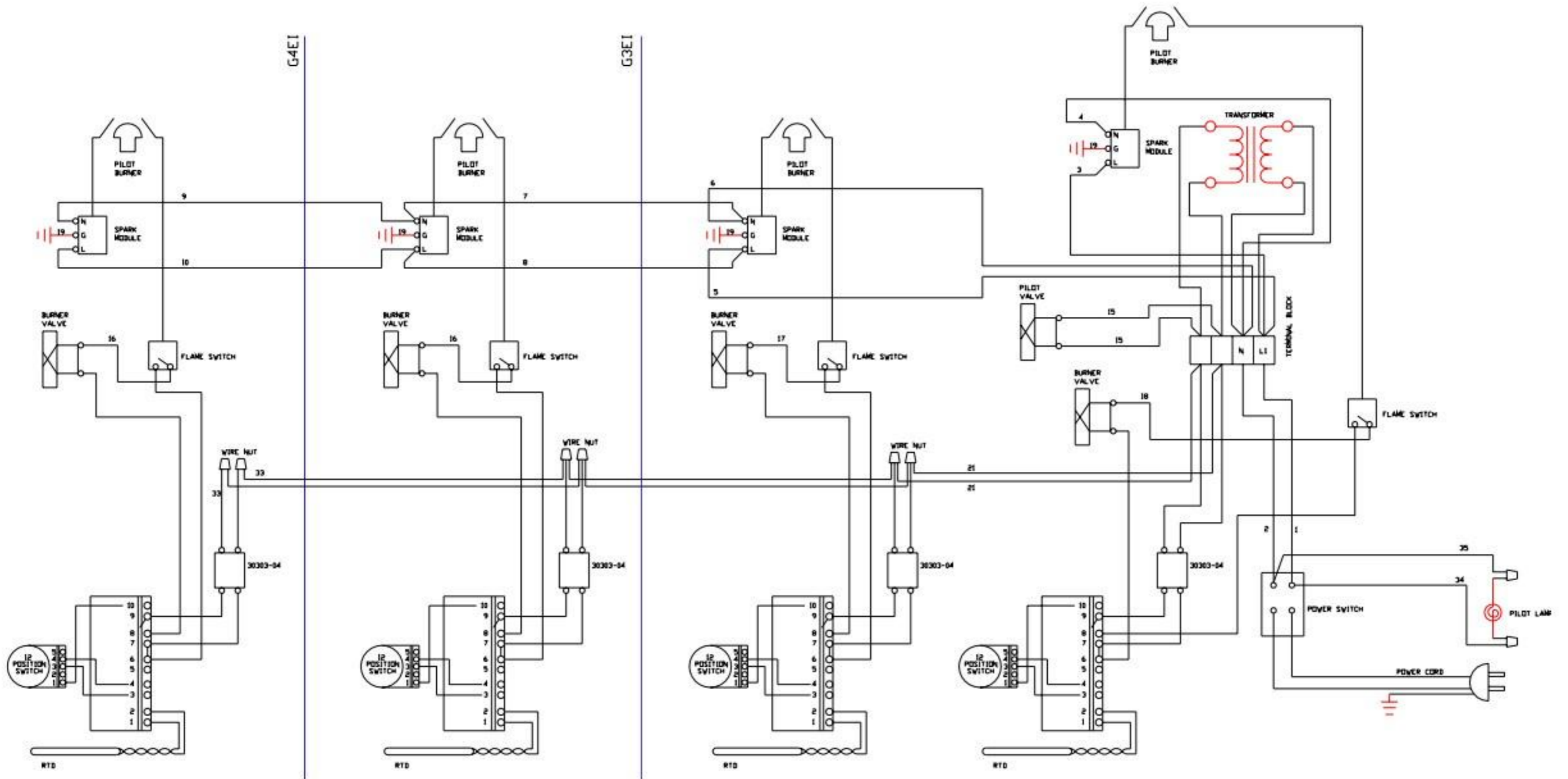
INSULATED SPADE CONNECTORS FOR USE WITH OPTIONAL EXTERNAL TIMER RELAY. STOWED WHEN NOT IN USE

QTY	ITEM	PART NUMBER	DESCRIPTION / MATERIAL
LANG MANUFACTURING			
DR: SRC DATE: 6-12-97		TITLE: ADD-ON GAS CLAMSHELL	
CK: BJM DATE: 6-12-97			
TOLERANCES FRACTIONS DECIMALS ± 1/64 ± .005 ANGLES ± .03 ± .5° ± .015 UNLESS OTHERWISE SPECIFIED DIMENSIONS ARE IN INCHES			
SCALE: TO FIT		NEXT HIGHER ASSY. SHEET	DRAWING NUMBER REV
		1 OF 1	61113-24 C

WIRING DIAGRAM G-EDSI

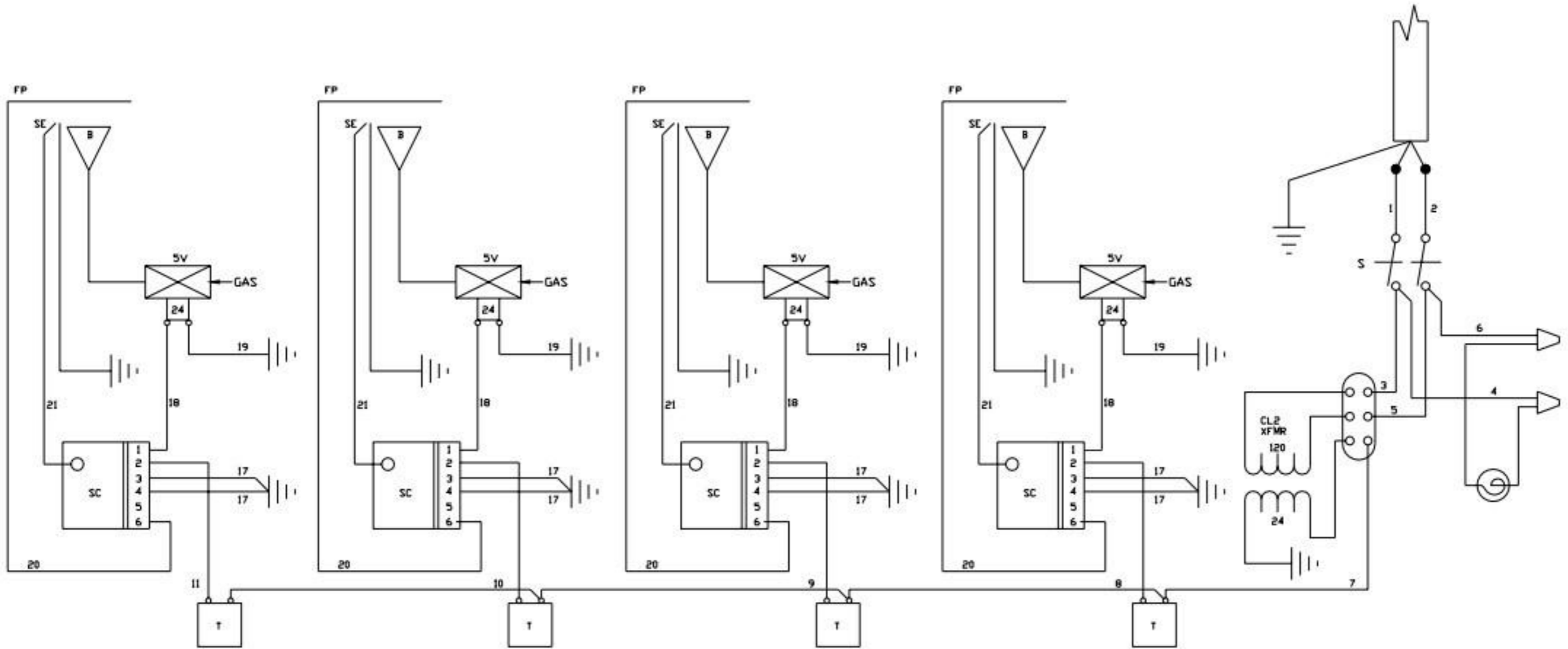
FP = FLAME PROBE
 SE = SPARK ELECTRODE
 SC = SPARK CONTROL
 SV = SOLENOID VALVE
 SS = 12 POSITION SELECTOR SWITCH
 TC = TEMP. CONTROL BOARD
 B = BURNER
 S = SWITCH





FP = FLAME PROBE
 SE = SPARK ELECTRODE
 SC = SPARK CONTROL
 SV = SOLENOID VALVE
 B = BURNER
 T = THERMOSTAT

REVISION BLOCK						
REV	ECN NO.	DESCRIPTION	DR:	MFG	ENG	DATE



G24TDS1
 G36TDS1
 G48TDS1
 G60TDS1
 G72TDS1

QTY	ITEM	PART NUMBER	DESCRIPTION / MATERIAL
LANG MANUFACTURING			
DR: SRC DATE: 12-2-87		TITLE: GAS GRIDDLE DSI ACCUTEMP	
CK: DATE:		G48TDS1 WIRING DIAGRAM	
TOLERANCES FRACTIONS DECIMALS ± 1/64 ± .005 ANGLES ± .05 ± .5° ± .015 UNLESS OTHERWISE SPECIFIED DIMENSIONS ARE IN INCHES		NEXT HIGHER ASSY.	SHEET
SCALE: TO FIT		DRAWING NUMBER	
		1 OF 1	
		61122-17	
		REV	

