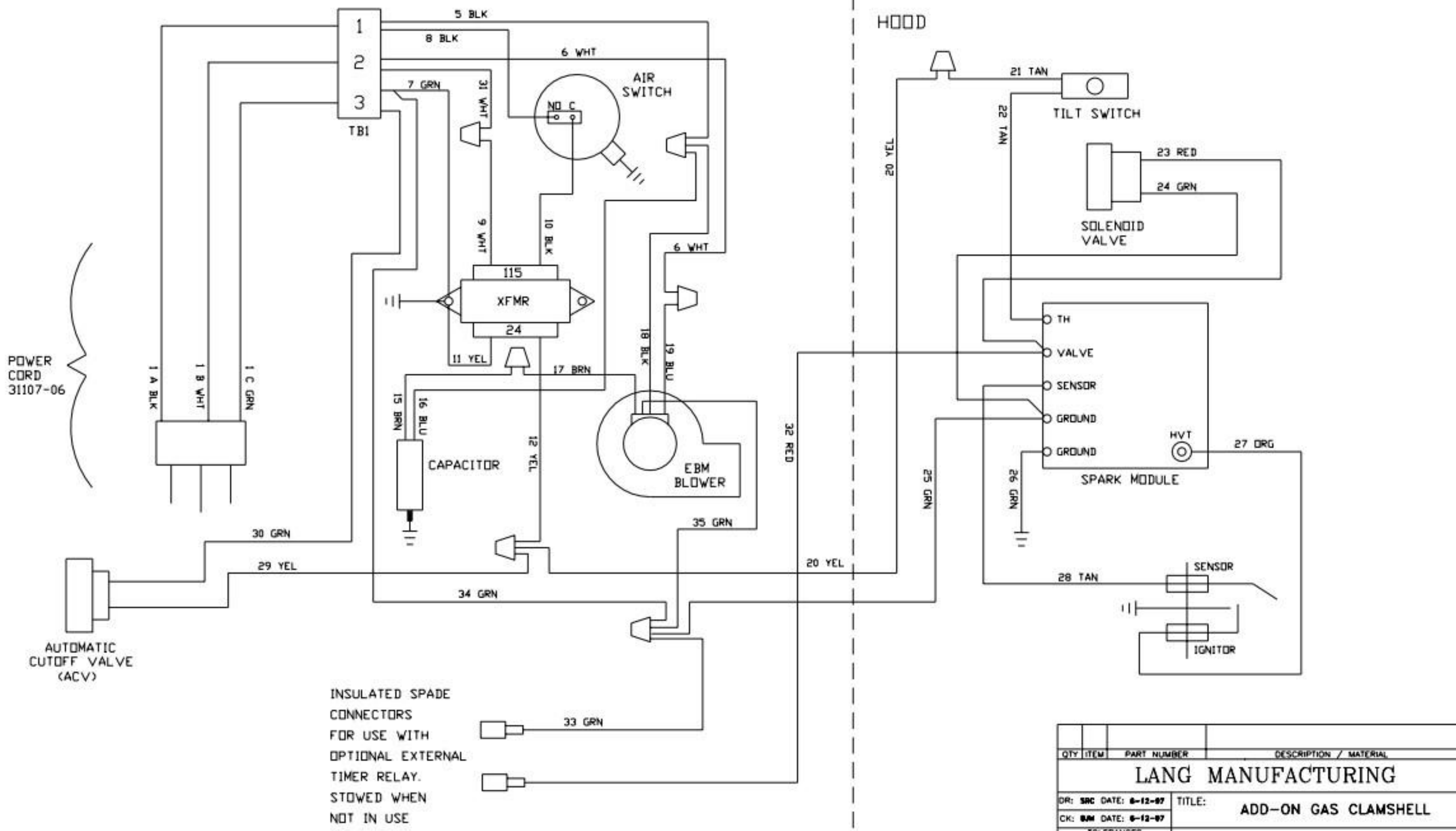


REVISION BLOCK						
REV	ECN NO.	DESCRIPTION	DR:	MFG	ENG	DATE
C		REMOVED WIRE 13 BLK	BJM			7-21-98

CARRIAGE

HOOD



POWER CORD 31107-06

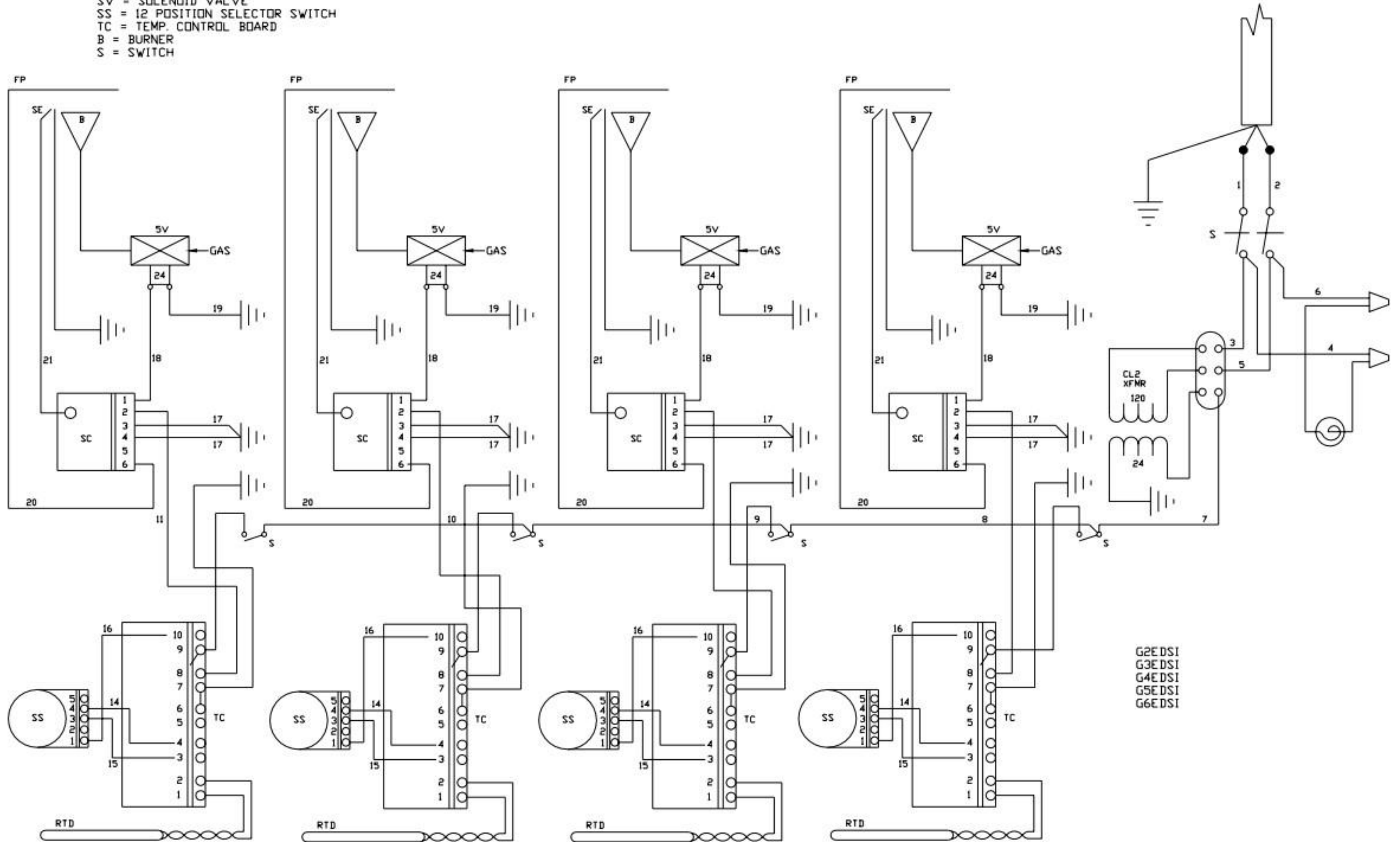
AUTOMATIC CUTOFF VALVE (ACV)

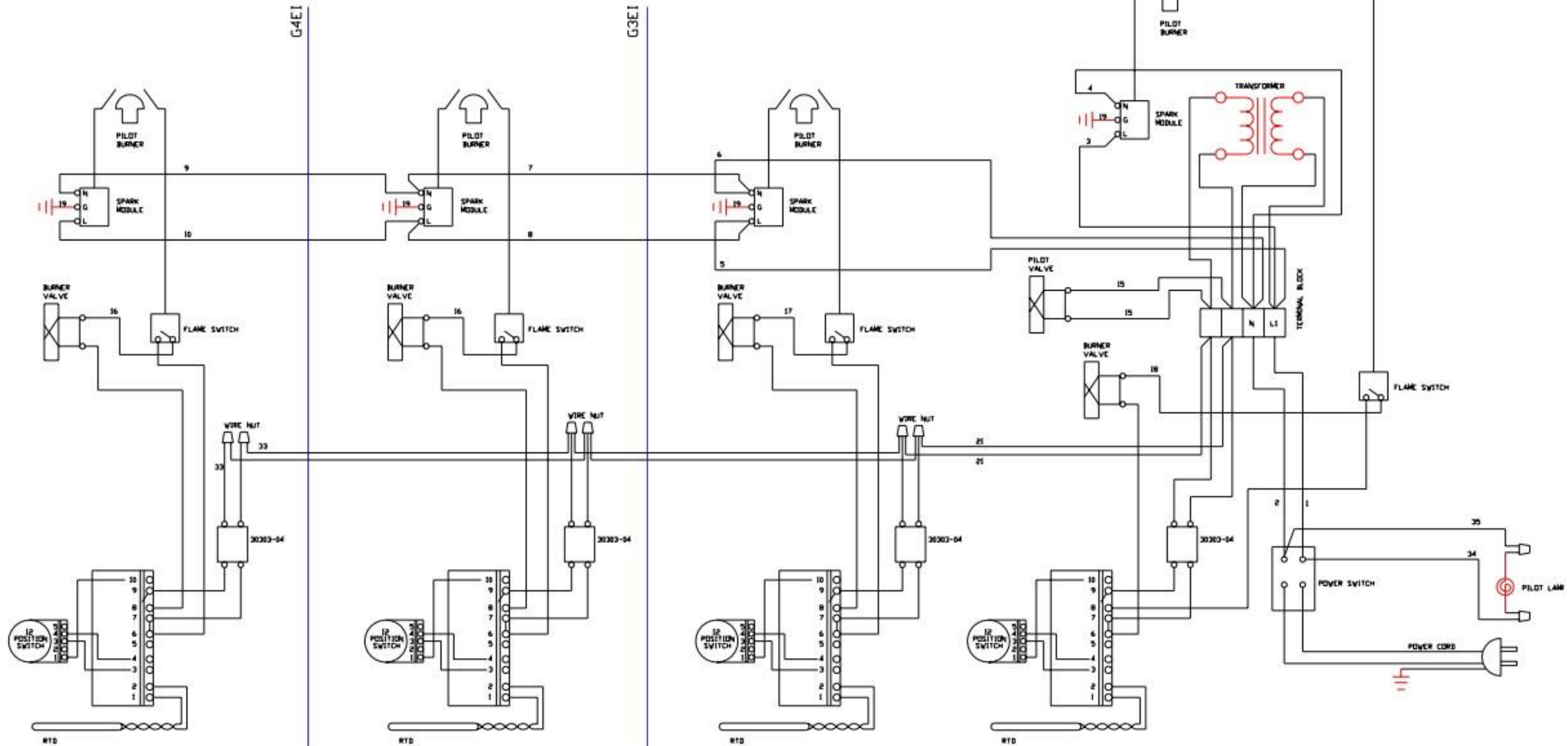
INSULATED SPADE CONNECTORS FOR USE WITH OPTIONAL EXTERNAL TIMER RELAY. STOWED WHEN NOT IN USE

QTY	ITEM	PART NUMBER	DESCRIPTION / MATERIAL
LANG MANUFACTURING			
DR:	SRC DATE: 6-12-07	TITLE: ADD-ON GAS CLAMSHELL	
CK:	BJM DATE: 6-12-07	FIXED WIRING DIAGRAM	
TOLERANCES		NEXT HIGHER ASSY.	SHEET
FRACTIONS	DECIMALS		DRAWING NUMBER
± 1/64	± .05		61113-24
ANGLES	± .25		REV
± .5°	± .015		C
UNLESS OTHERWISE SPECIFIED DIMENSIONS ARE IN INCHES		SCALE:	1 OF 1
		TO FIT	

WIRING DIAGRAM G-EDSI

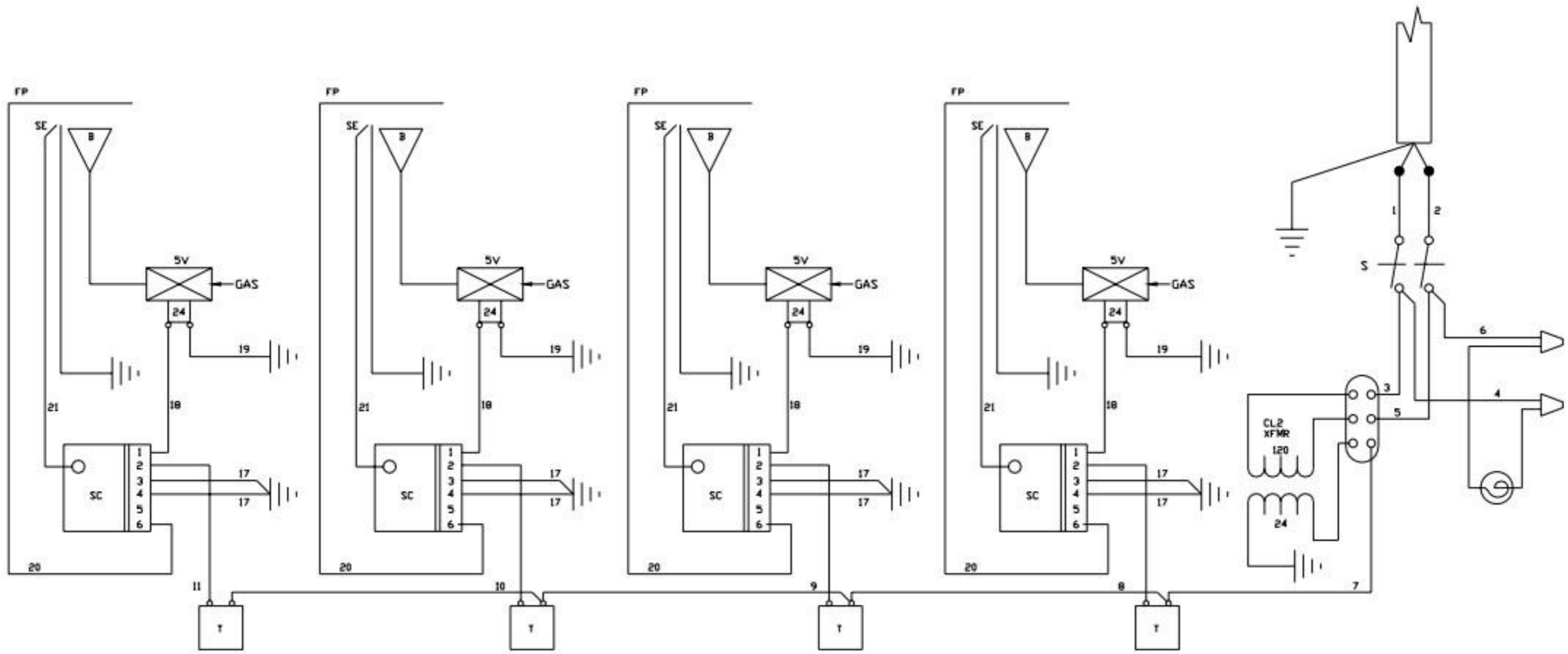
FP = FLAME PROBE
 SE = SPARK ELECTRODE
 SC = SPARK CONTROL
 SV = SOLENOID VALVE
 SS = 12 POSITION SELECTOR SWITCH
 TC = TEMP. CONTROL BOARD
 B = BURNER
 S = SWITCH





REVISION BLOCK						
REV	ECN NO.	DESCRIPTION	DR:	MFG	ENG	DATE

FP = FLAME PROBE
 SE = SPARK ELECTRODE
 SC = SPARK CONTROL
 SV = SOLENOID VALVE
 B = BURNER
 T = THERMOSTAT



G24TDS1
 G36TDS1
 G48TDS1
 G60TDS1
 G72TDS1

QTY	ITEM	PART NUMBER	DESCRIPTION / MATERIAL
LANG MANUFACTURING			
DR: SRC DATE: 12-2-97		TITLE: GAS GRIDDLE DSI ACCUTEMP	
CK: DATE:		G48TDS1 WIRING DIAGRAM	
TOLERANCES FRACTIONS DECIMALS ± 1/64 .X ± .05 ANGLES .XX ± .03 ± .0' .XXX ± .015 UNLESS OTHERWISE SPECIFIED DIMENSIONS ARE IN INCHES		NEXT HIGHER ASSY.	SHEET
SCALE: TO FIT		1 of 1	DRAWING NUMBER 61122-17
			REV

