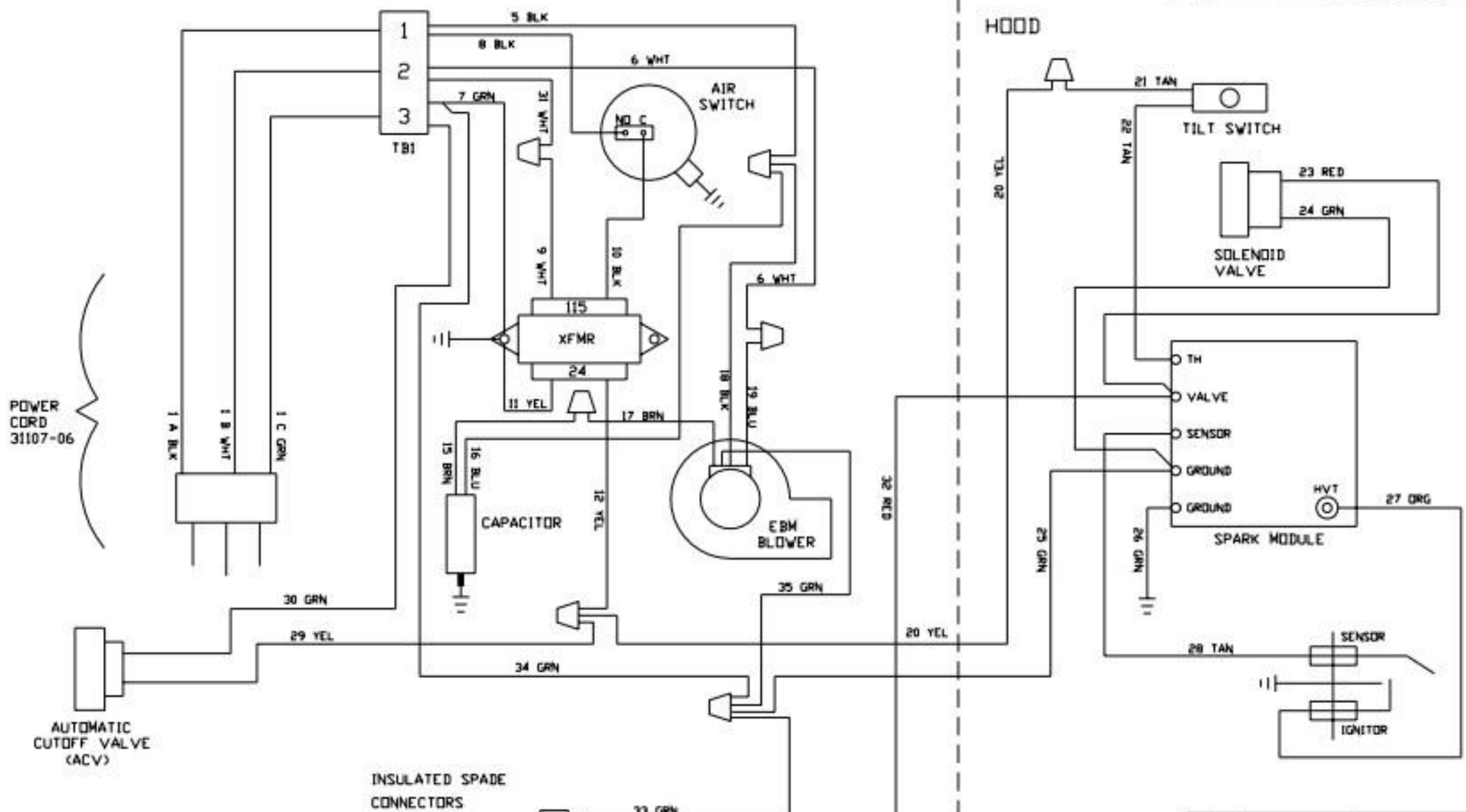


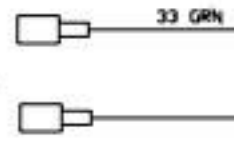
CARRIAGE

REVISION BLOCK						
REV	ECN NO.	DESCRIPTION	DR.	MFG	ENG	DATE
C		REMOVED WIRE 13 BLK	GM			7-21-98

HOOD



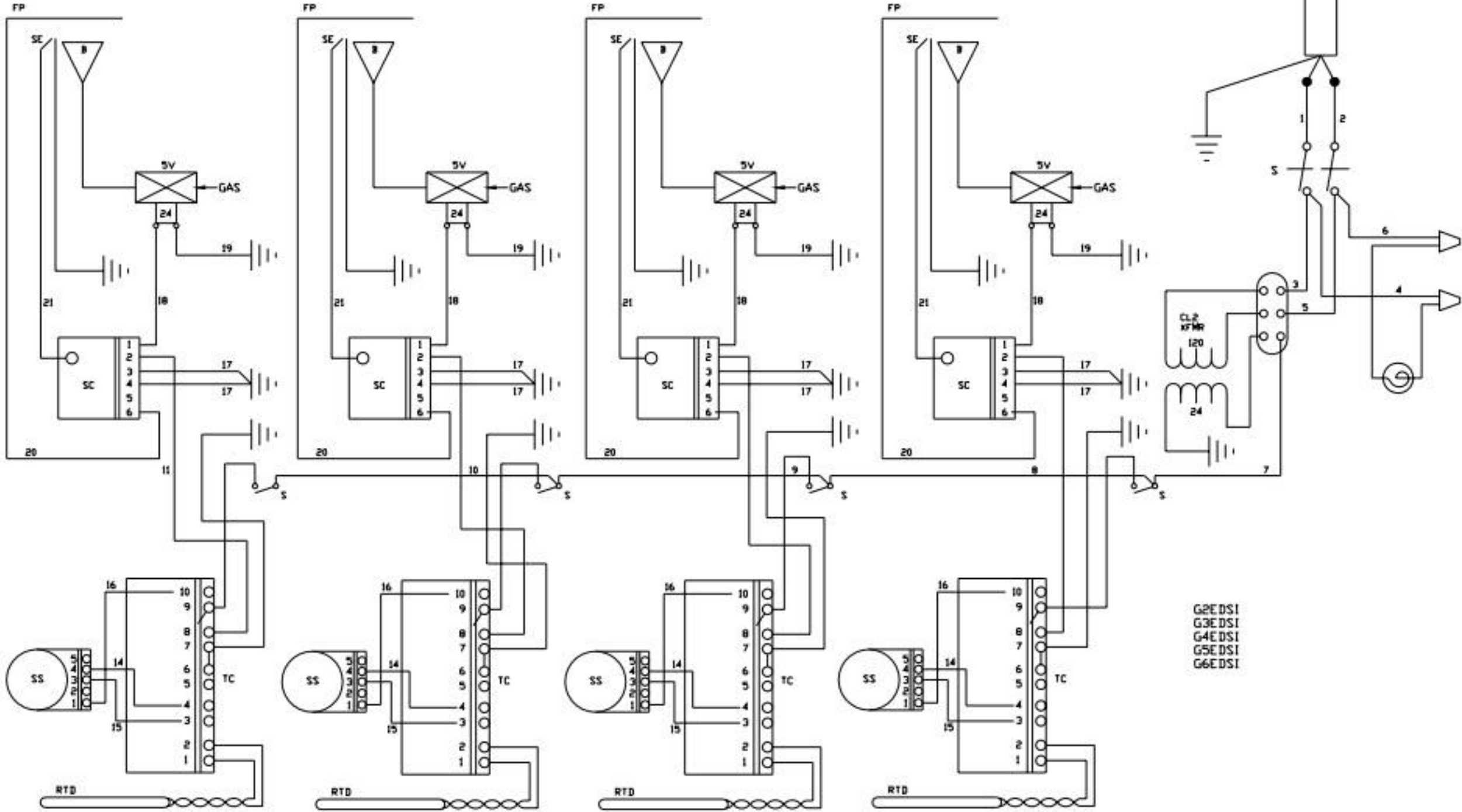
INSULATED SPADE CONNECTORS FOR USE WITH OPTIONAL EXTERNAL TIMER RELAY. STOWED WHEN NOT IN USE



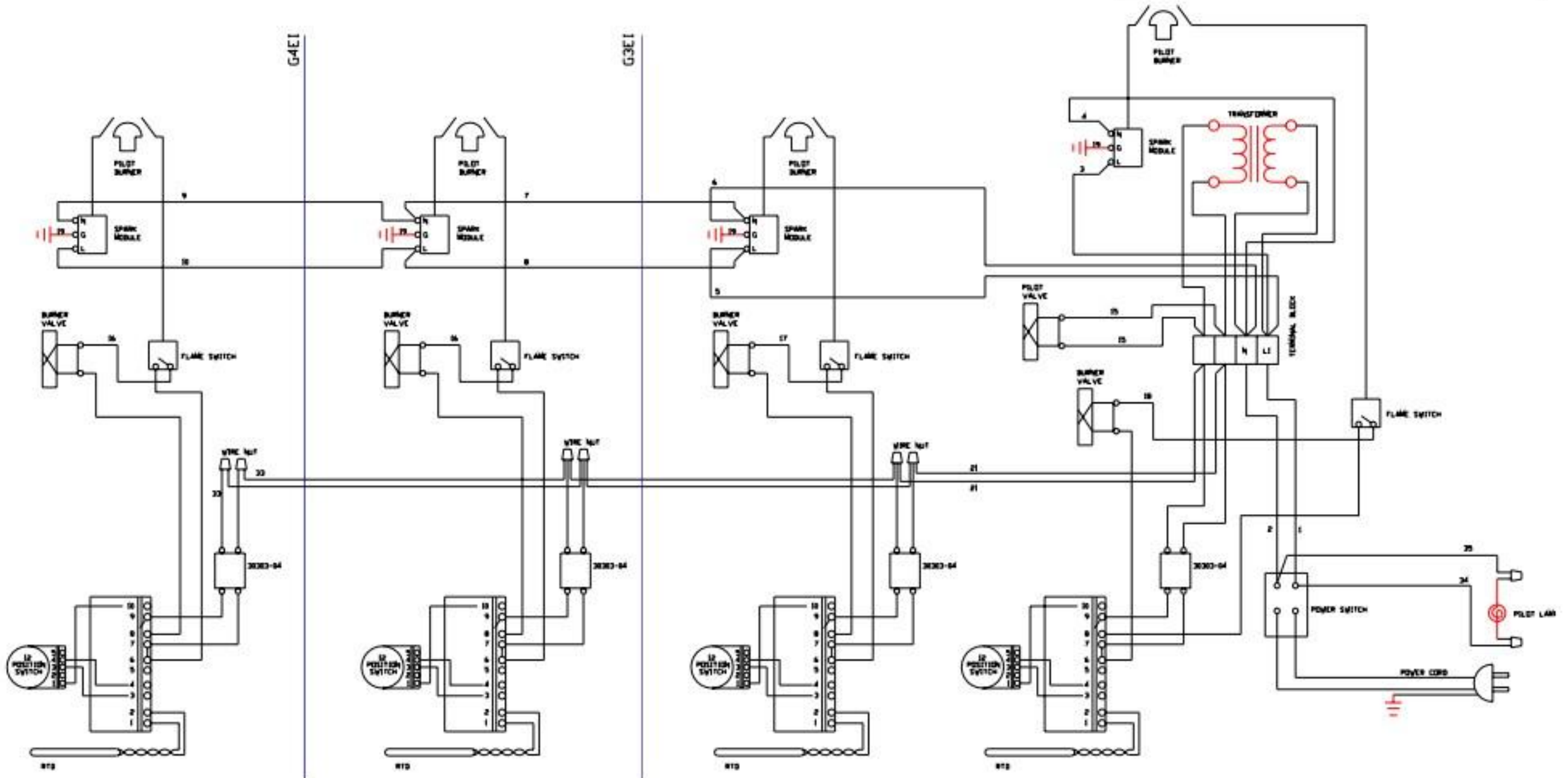
QTY	ITEM	PART NUMBER	DESCRIPTION / MATERIAL
LANG MANUFACTURING			
DR:	SBC	DATE: 6-13-97	TITLE: ADD-ON GAS CLAMSHELL
CK:	GM	DATE: 6-13-97	FIXED WIRING DIAGRAM
TOLERANCES		UNLESS OTHERWISE SPECIFIED DIMENSIONS ARE IN INCHES	
FRACTIONS		DECIMALS	
1/64		.001	
1/32		.005	
1/16		.010	
3/32		.031	
1/8		.125	
3/16		.188	
1/4		.250	
5/16		.313	
3/8		.375	
7/16		.438	
1/2		.500	
5/8		.625	
3/4		.750	
7/8		.875	
1		1.000	
SCALE:		10:1	
NEXT HIGHER ASSY. SHEET			DRAWING NUMBER
1 OF 1			61113-24
			REV C

WIRING DIAGRAM G-EDSI

FP = FLAME PROBE
 SE = SPARK ELECTRODE
 SC = SPARK CONTROL
 SV = SOLENOID VALVE
 SS = 12 POSITION SELECTOR SWITCH
 TC = TEMP. CONTROL BOARD
 B = BURNER
 S = SWITCH



G2E DSI
 G3E DSI
 G4E DSI
 G5E DSI
 G6E DSI



G4E1

G3E1

PILOT BURNER

TRANSFORMER

SPARK MODULE

TERMINAL BLOCK

FLAME SWITCH

POWER SWITCH

POWER CORD

PILOT LAMP

870

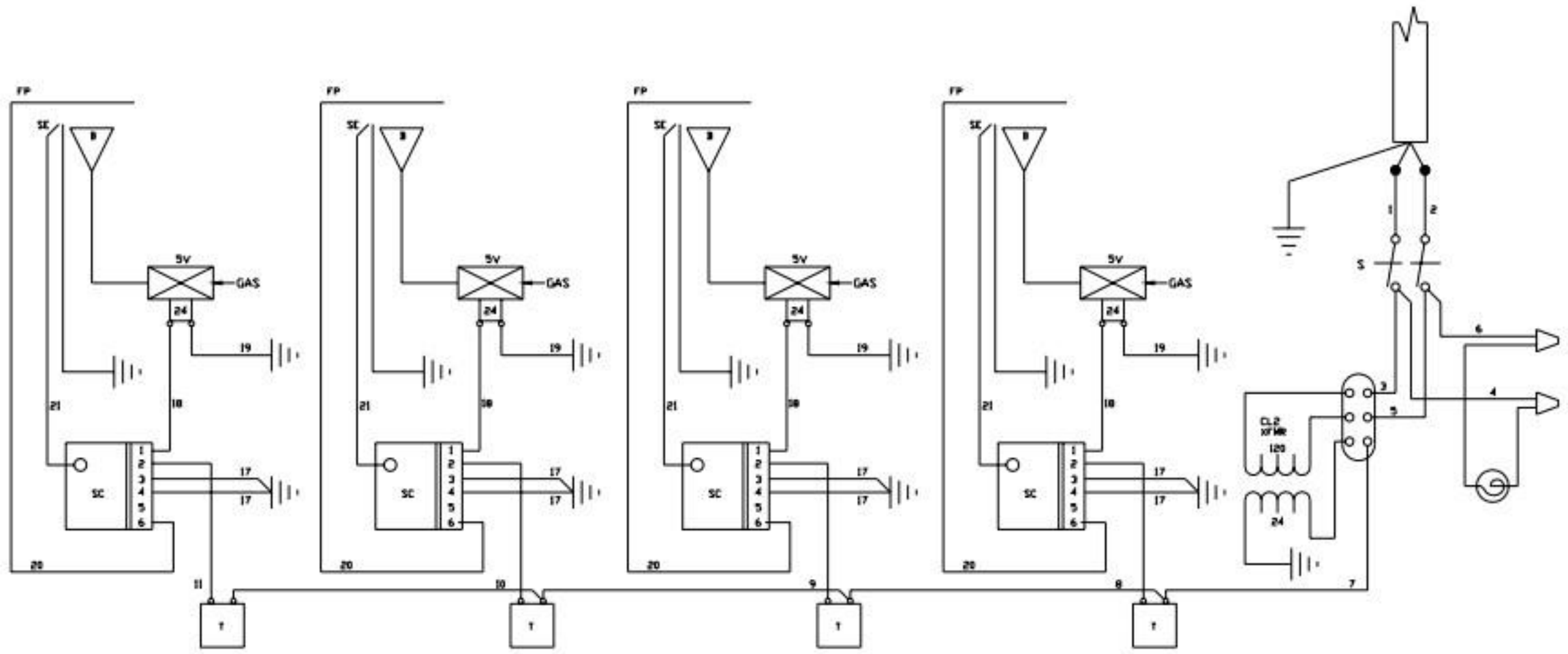
870

870

870

FP = FLAME PROBE
 SE = SPARK ELECTRODE
 SC = SPARK CONTROL
 SV = SOLENOID VALVE
 B = BURNER
 T = THERMOSTAT

REVISION BLOCK						
REV	ECN NO.	DESCRIPTION	DR	MFG	ENG	DATE



G24TDSI
 G36TDSI
 G48TDSI
 G60TDSI
 G72TDSI

QTY	ITEM	PART NUMBER	DESCRIPTION / MATERIAL
LANG MANUFACTURING			
DR:	ENG DATE:	12-2-87	TITLE: GAS GRIDDLE DSI ACCUTEMP
CK:	DATE:		G48TDSI WIRING DIAGRAM
TOLERANCES FRACTIONS DECIMALS 1/32 .005 1/16 .010 1/8 .015 3/16 .020 1/4 .025 5/16 .030 3/8 .035 1/2 .040 5/8 .045 3/4 .050 UNLESS OTHERWISE SPECIFIED DIMENSIONS ARE IN INCHES		NEXT HIGHER ASSY.	SHEET
SCALE: TO FIT		1 OF 1	DRAWING NUMBER 61122-17

