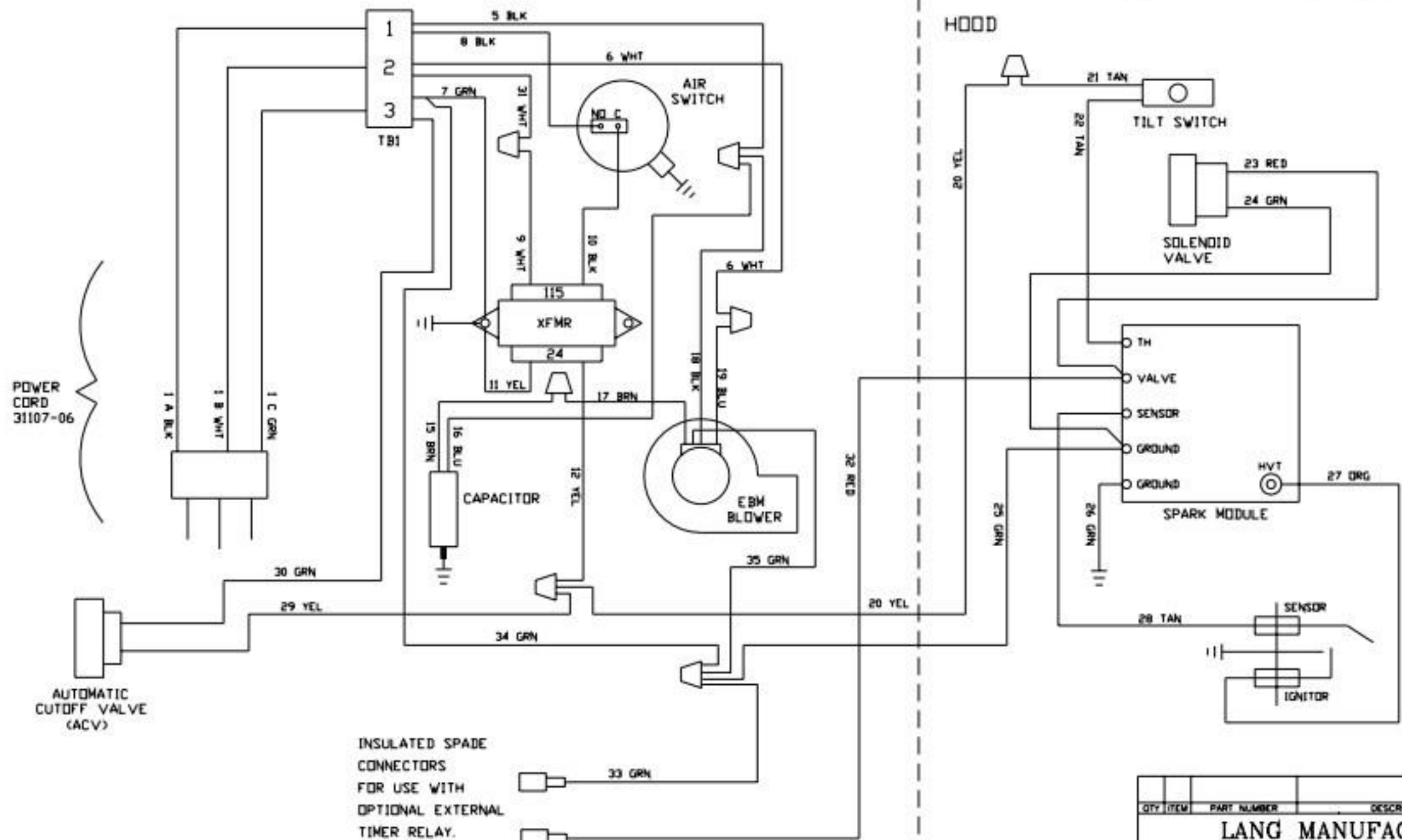


REVISION BLOCK						
REV	EDN NO.	DESCRIPTION	DR.	MFG	ENG	DATE
C		REMOVED WIRE 13 BLK	BAM			7-21-98

CARRIAGE

HOOD

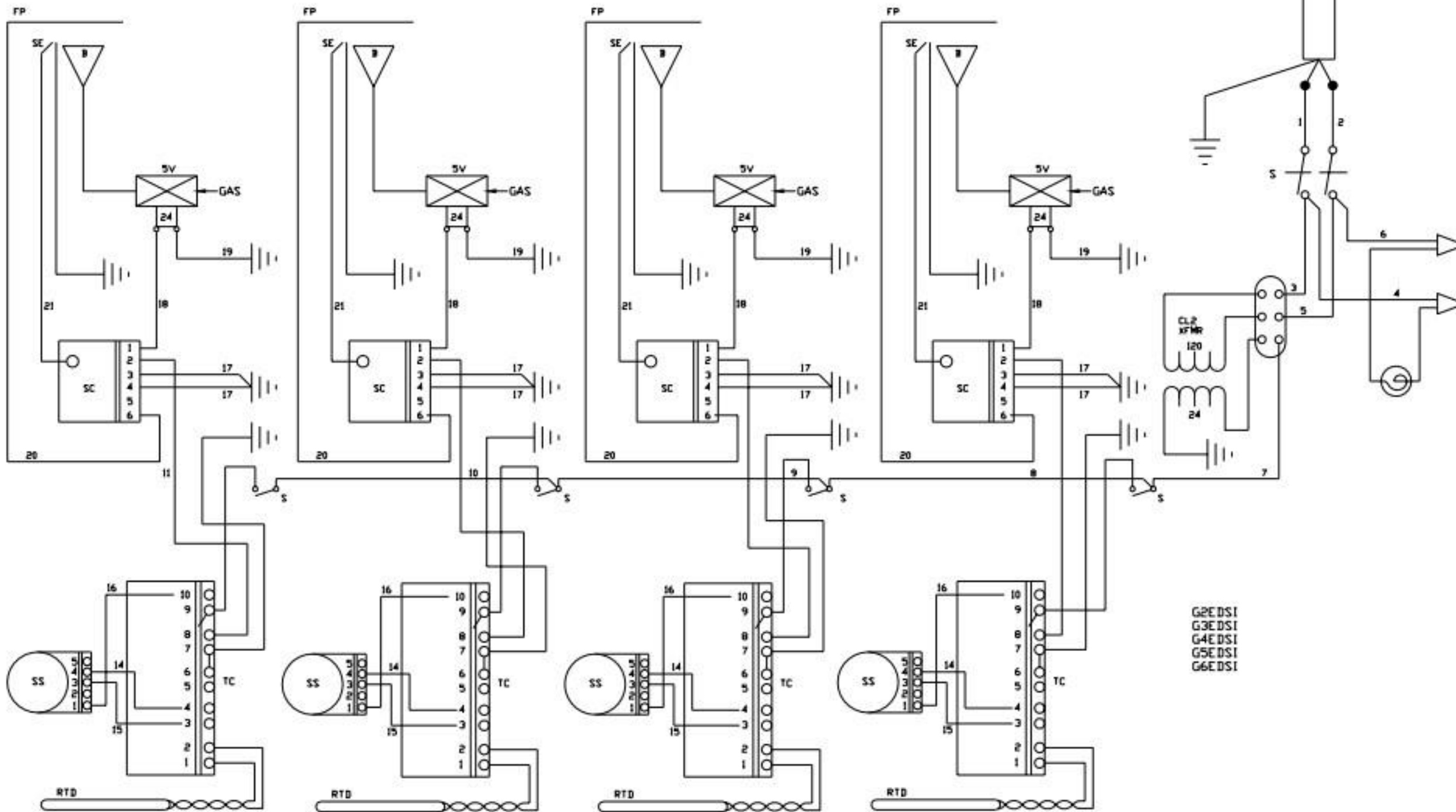


INSULATED SPADE
CONNECTORS
FOR USE WITH
OPTIONAL EXTERNAL
TIMER RELAY.
STOWED WHEN
NOT IN USE

QTY	ITEM	PART NUMBER	DESCRIPTION / MATERIAL
LANG MANUFACTURING			
DR: BRC DATE: 9-23-97		TITLE: ADD-ON GAS CLAMSHELL	
CR: BAM DATE: 9-23-97		FIXED WIRING DIAGRAM	
TOLERANCES FRACTIONS DECIMALS & 1/64 & 0.001 ANGLES 1/4 & 0.01 & 3/16 0.015 & 0.010 UNLESS OTHERWISE SPECIFIED DIMENSIONS ARE IN INCHES		NEXT HIGHER ASSY. SHEET	DRAWING NUMBER
SCALE: 10 FT		1 OF 1	61113-24 C

WIRING DIAGRAM G-EDSI

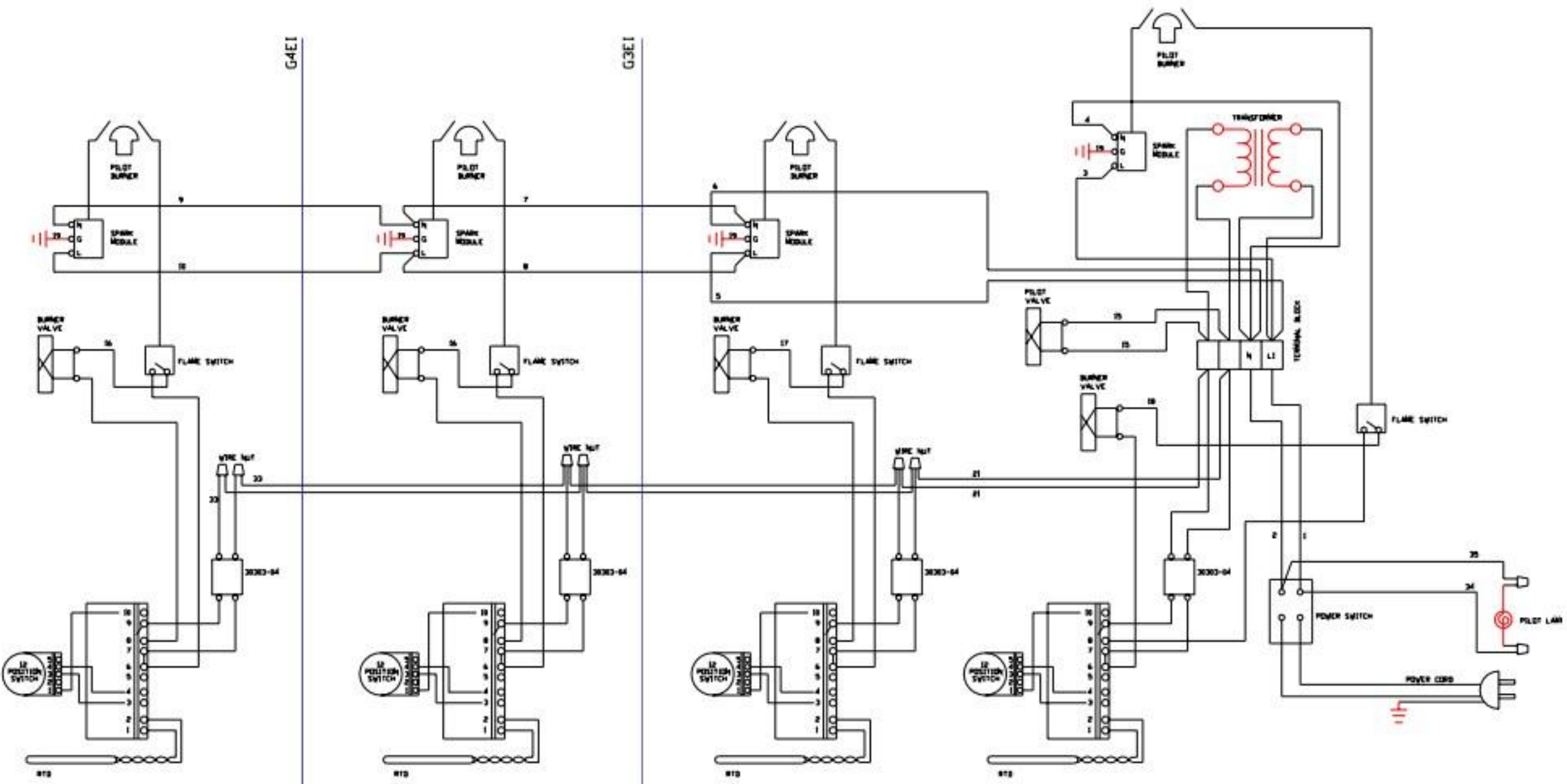
- FP = FLAME PROBE
- SE = SPARK ELECTRODE
- SC = SPARK CONTROL
- SV = SOLENOID VALVE
- SS = 12 POSITION SELECTOR SWITCH
- TC = TEMP. CONTROL BOARD
- B = BURNER
- S = SWITCH



G2EDSI
G3EDSI
G4EDSI
G5EDSI
G6EDSI

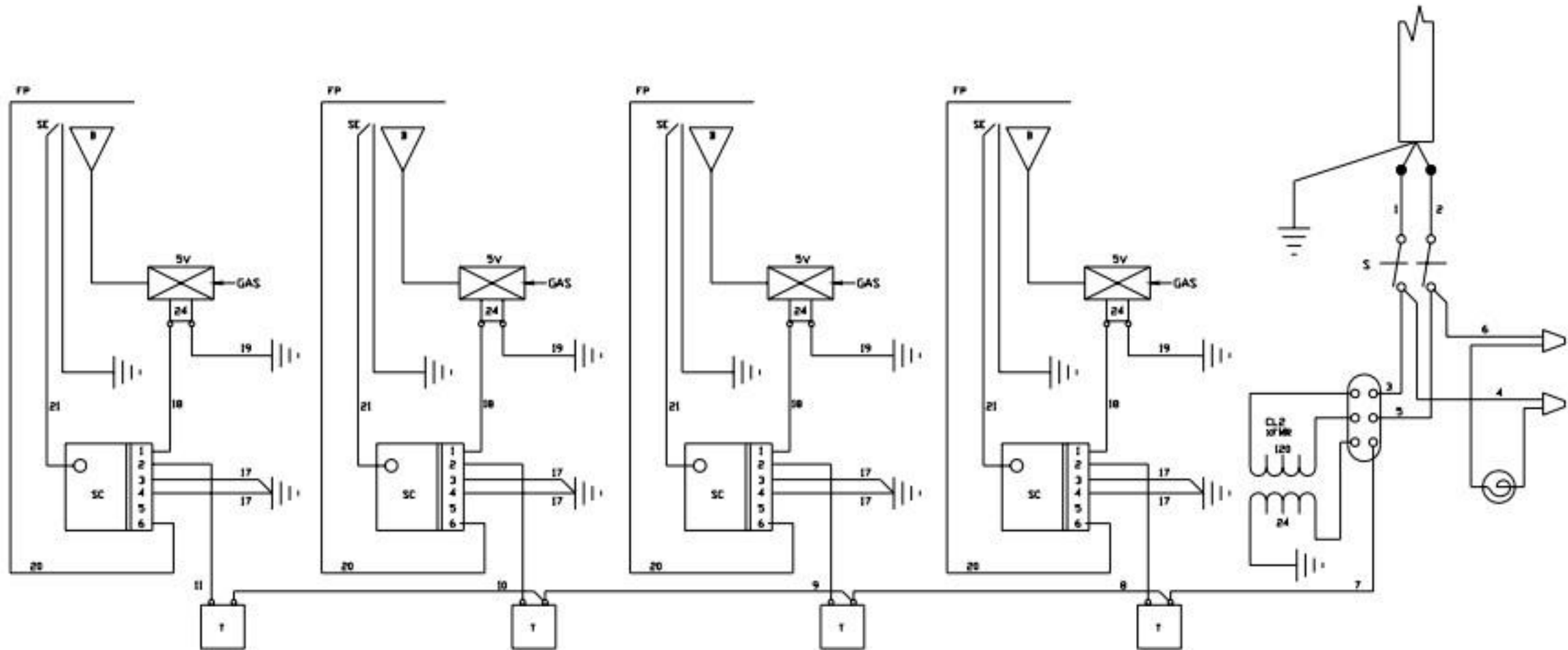
G4E1

G3E1



REVISION BLOCK						
REV	ECN NO.	DESCRIPTION	DR	MFG	ENG	DATE

FP = FLAME PROBE
 SE = SPARK ELECTRODE
 SC = SPARK CONTROL
 SV = SOLENOID VALVE
 B = BURNER
 T = THERMOSTAT



G24TDSI
 G36TDSI
 G48TDSI
 G60TDSI
 G72TDSI

QTY	ITEM	PART NUMBER	DESCRIPTION / MATERIAL
LANG MANUFACTURING			
DR: 886 DATE: 12-2-97		TITLE: GAS GRIDDLE DSI ACCUTEMP	
CK: DATE:		G48TDSI WIRING DIAGRAM	
TOLERANCES FRACTIONS DECIMALS 1/32 .001 1/16 .002 1/8 .003 1/4 .005 3/8 .0075 1/2 .01 UNLESS OTHERWISE SPECIFIED DIMENSIONS ARE IN INCHES		NEXT HIGHER ASSY.	SHEET
SCALE: TO FIT		1 OF 1	DRAWING NUMBER
			61122-17

