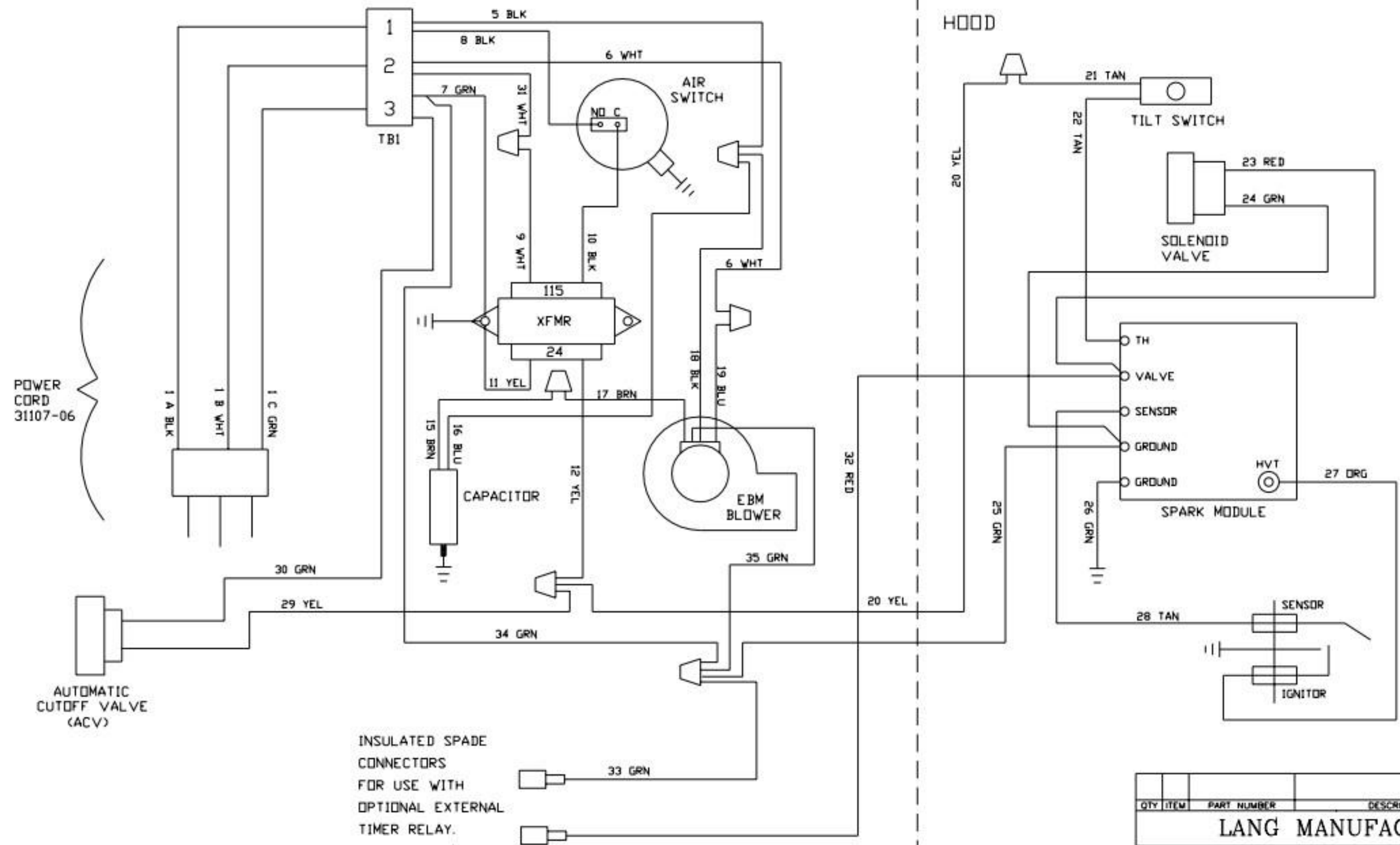


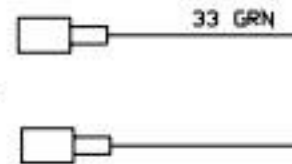
REVISION BLOCK						
REV	ECN NO.	DESCRIPTION	DR.	MFG	ENG	DATE
C		REMOVED WIRE 13 BLK	BJM			7-21-98

CARRIAGE

HOOD



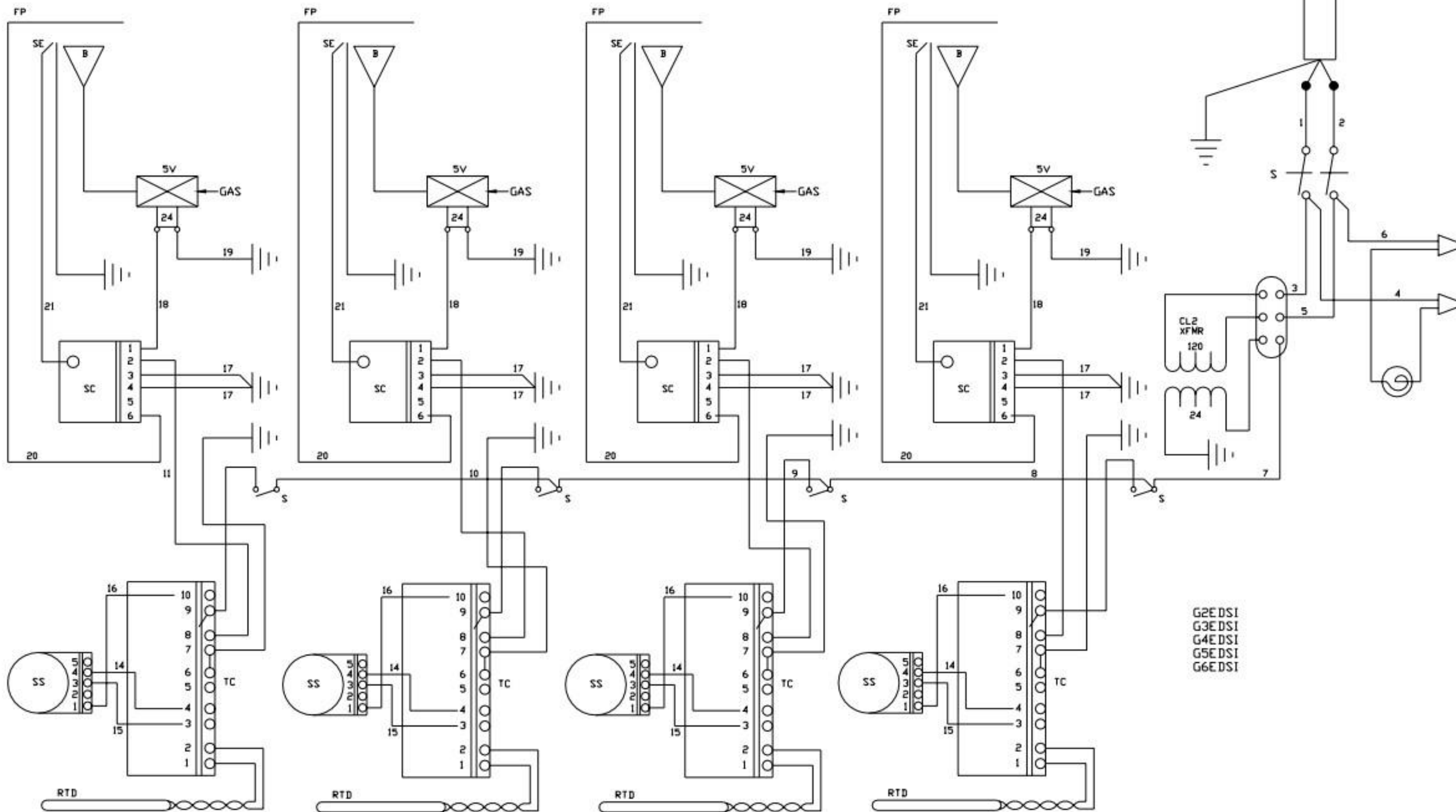
INSULATED SPADE CONNECTORS FOR USE WITH OPTIONAL EXTERNAL TIMER RELAY. STOWED WHEN NOT IN USE



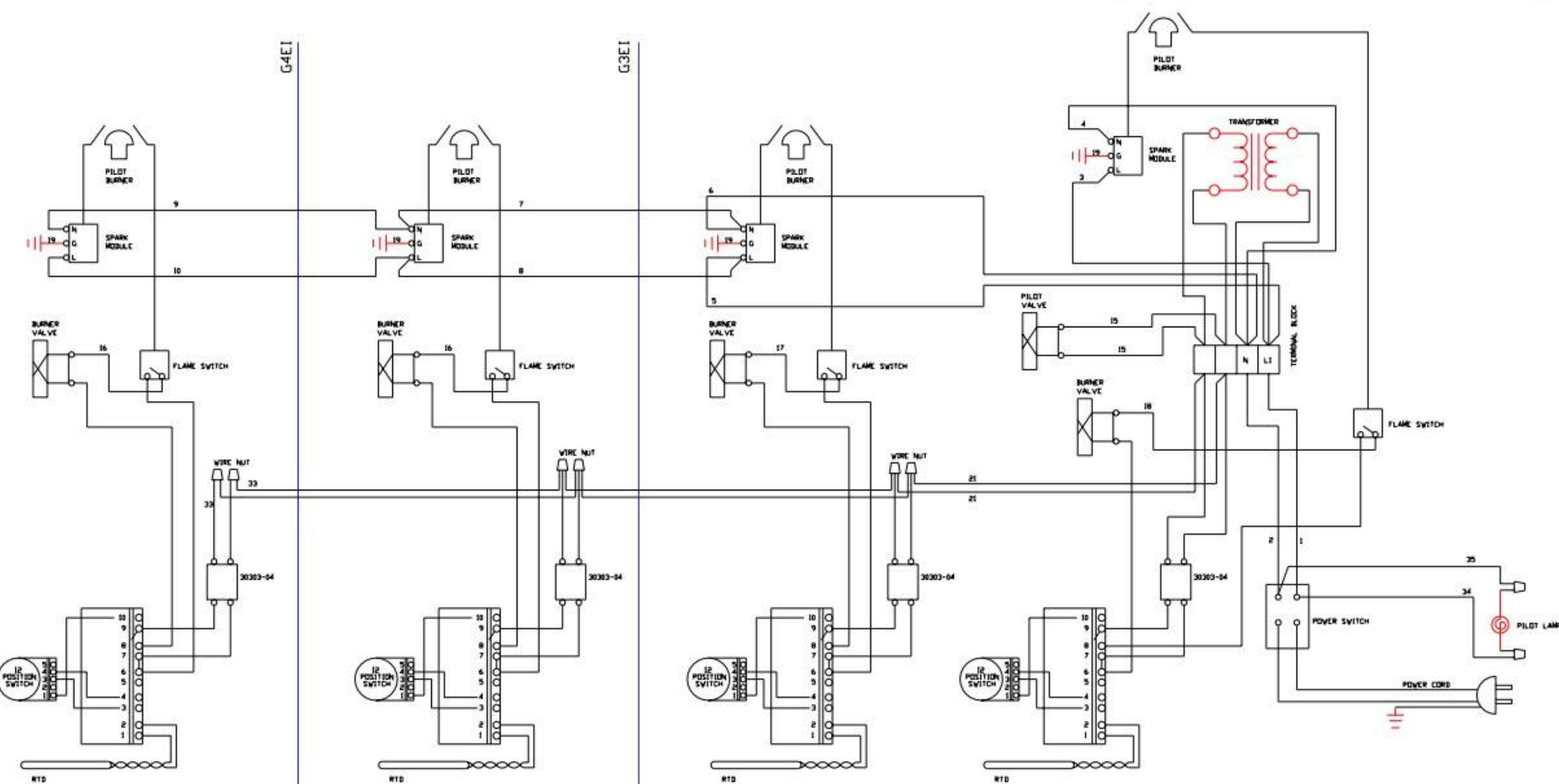
QTY	ITEM	PART NUMBER	DESCRIPTION / MATERIAL
LANG MANUFACTURING			
DR: SRC DATE: 6-12-97		TITLE: ADD-ON GAS CLAMSHELL	
CK: BJM DATE: 6-12-97		FIXED WIRING DIAGRAM	
<small>TOLERANCES FRACTIONS DECIMALS ± 1/64 .X ± .05 ANGLES .XX ± .03 ± .5' .XXX ± .015 UNLESS OTHERWISE SPECIFIED DIMENSIONS ARE IN INCHES</small>			
NEXT HIGHER ASSY.		SHEET	DRAWING NUMBER
		1 of 1	61113-24
			REV
			C

WIRING DIAGRAM G-EDSI

- FP = FLAME PROBE
- SE = SPARK ELECTRODE
- SC = SPARK CONTROL
- SV = SOLENOID VALVE
- SS = 12 POSITION SELECTOR SWITCH
- TC = TEMP. CONTROL BOARD
- B = BURNER
- S = SWITCH

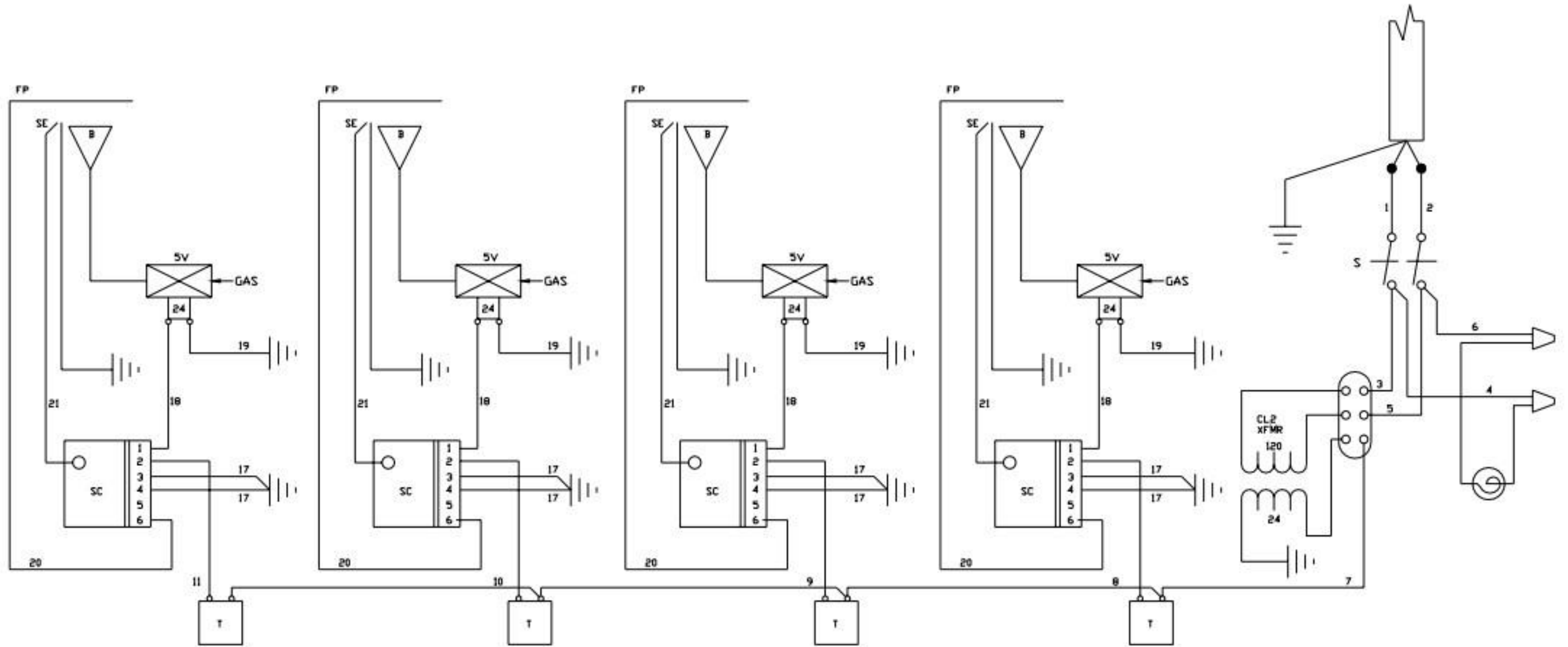


G2EDSI
 G3EDSI
 G4EDSI
 G5EDSI
 G6EDSI



FP = FLAME PROBE
 SE = SPARK ELECTRODE
 SC = SPARK CONTROL
 SV = SOLENOID VALVE
 B = BURNER
 T = THERMOSTAT

REVISION BLOCK						
REV	ECN NO.	DESCRIPTION	DR:	MFG	ENG	DATE



G24TDS1
 G36TDS1
 G48TDS1
 G60TDS1
 G72TDS1

QTY	ITEM	PART NUMBER	DESCRIPTION / MATERIAL
LANG MANUFACTURING			
DR: SMC DATE: 12-2-87		TITLE: GAS GRIDDLE DSI ACCUTEMP	
CK: DATE:		G48TDS1 WIRING DIAGRAM	
TOLERANCES FRACTIONS DECIMALS ± 1/64 .X ± .05 ANGLES .001 ± .03 ± .5 .001 ± .015 UNLESS OTHERWISE SPECIFIED DIMENSIONS ARE IN INCHES		NEXT HIGHER ASSY.	SHEET
SCALE: TO FIT		1 OF 1	DRAWING NUMBER
			61122-17
			REV

