

CARRIAGE

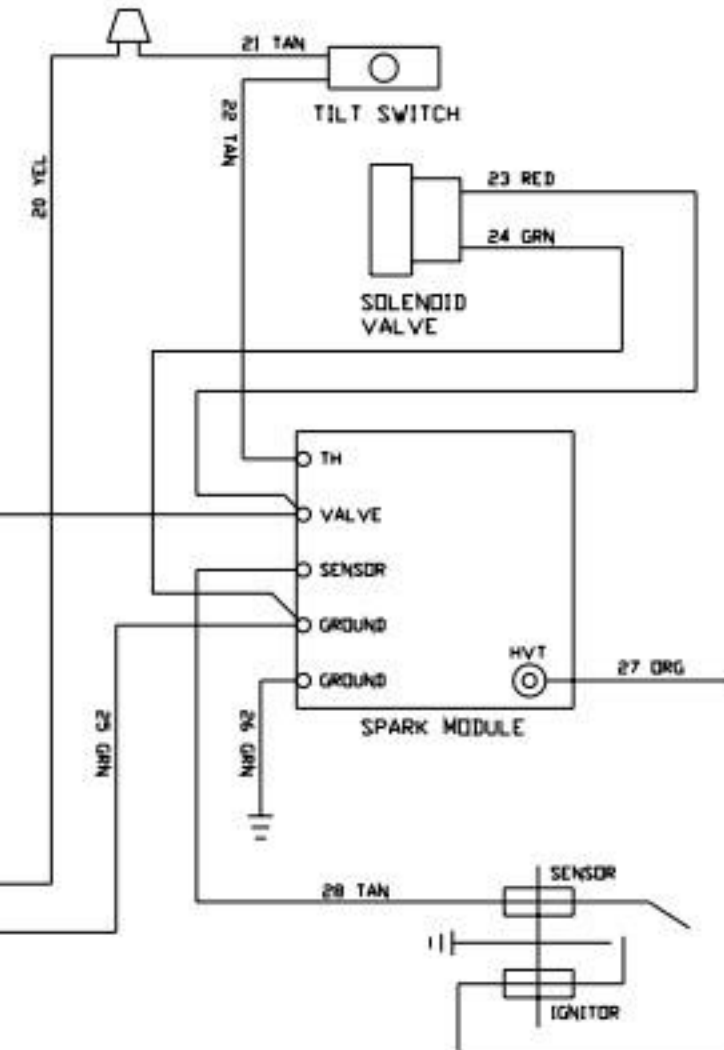
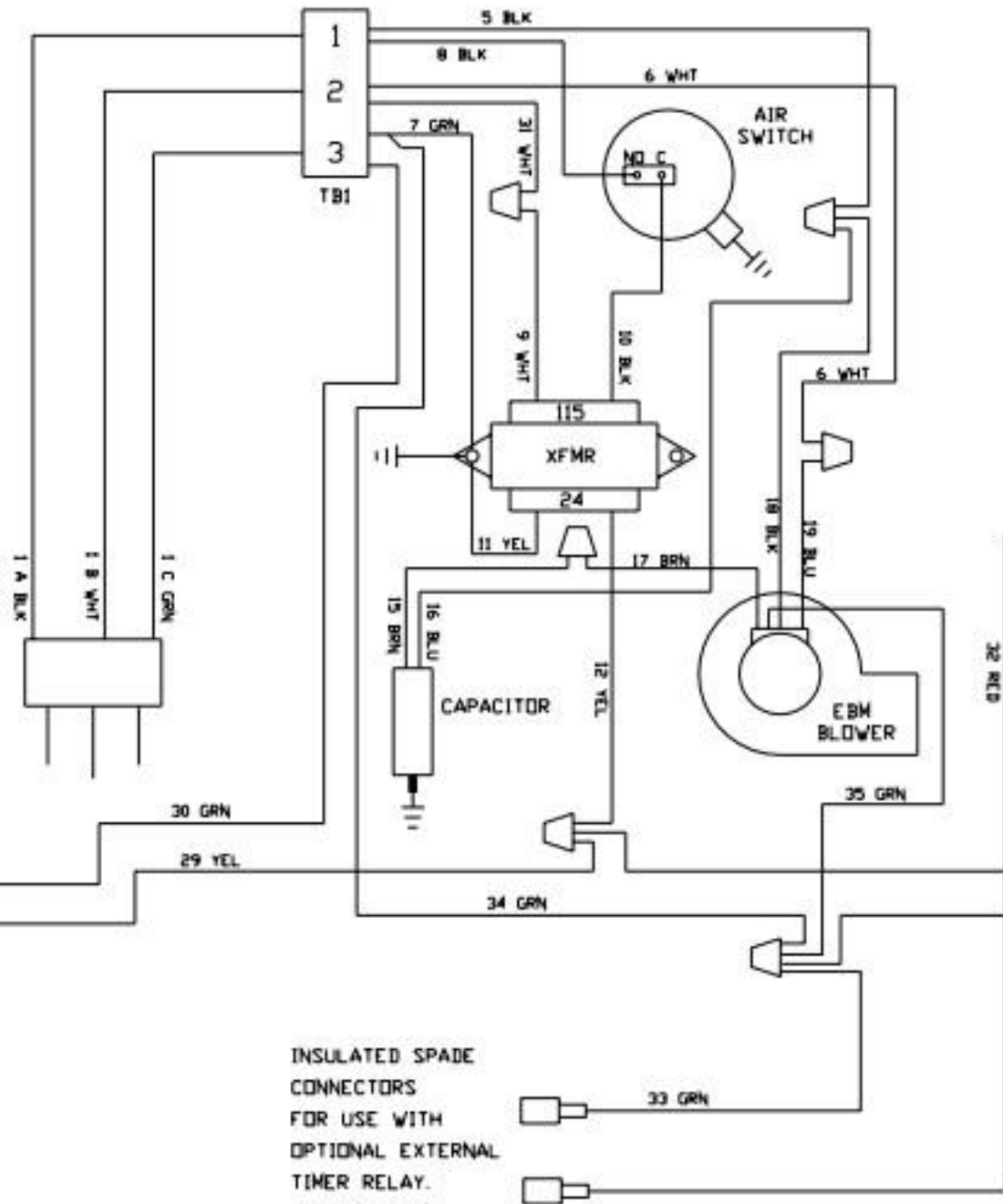
HOOD

REVISION BLOCK						
REV	EDN NO.	DESCRIPTION	DR.	MFG	ENG	DATE
C		REMOVED WIRE 13 BLK	BJM			7-21-98

POWER CORD
31107-06

AUTOMATIC CUTOFF VALVE (ACV)

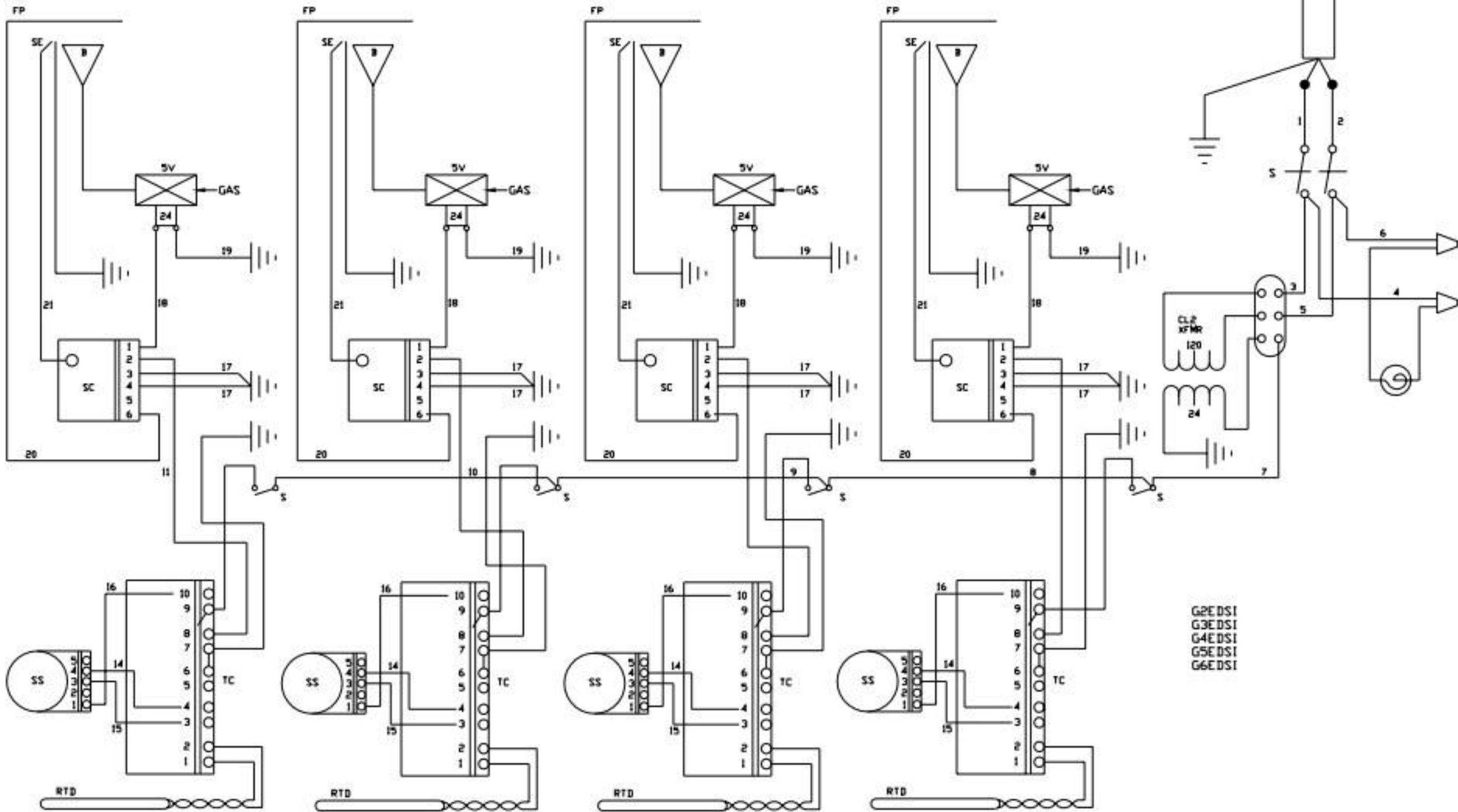
INSULATED SPADE CONNECTORS FOR USE WITH OPTIONAL EXTERNAL TIMER RELAY. STOWED WHEN NOT IN USE

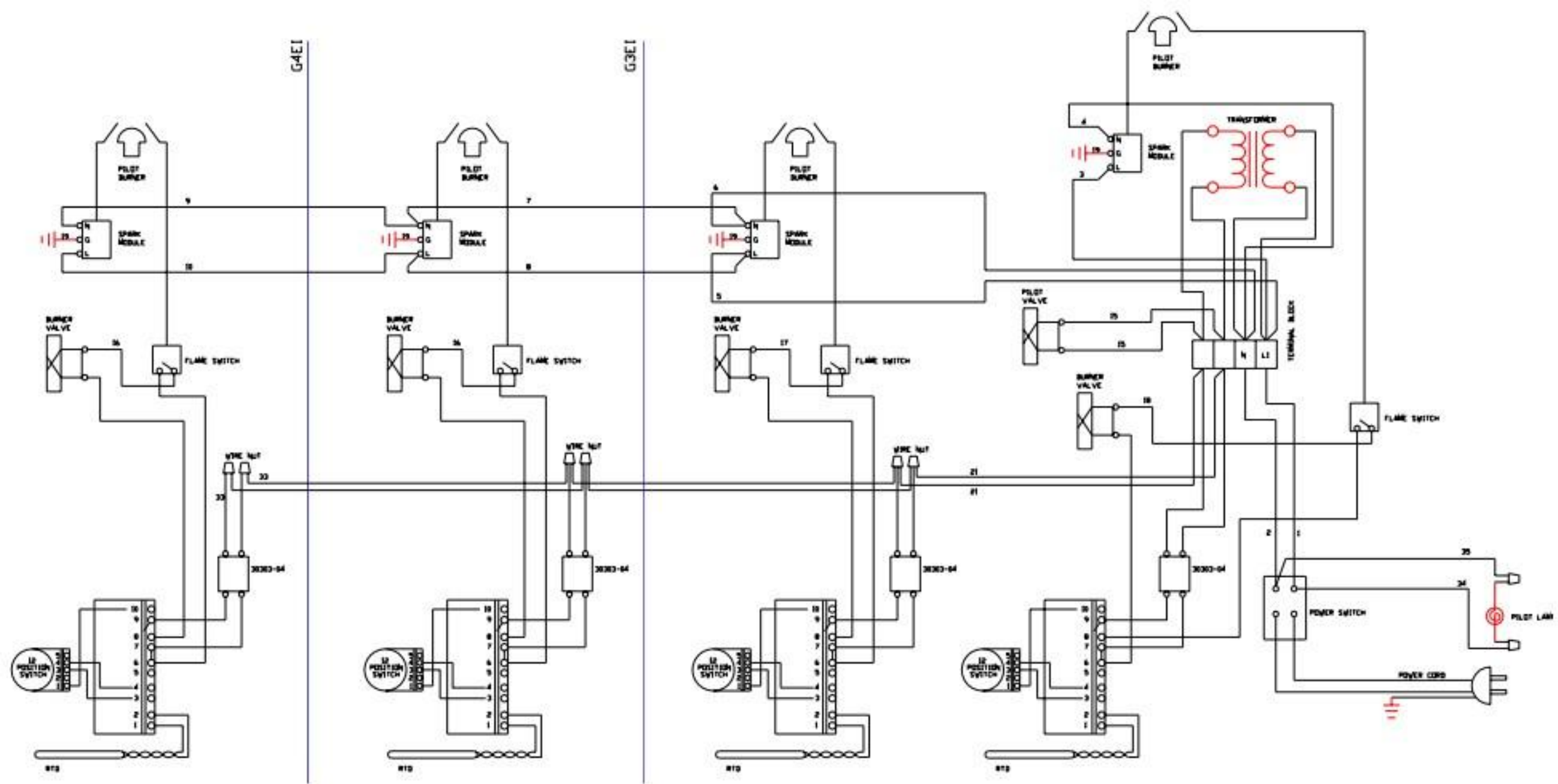


QTY	ITEM	PART NUMBER	DESCRIPTION / MATERIAL
LANG MANUFACTURING			
DR: SRC DATE: 8-13-87		TITLE: ADD-ON GAS CLAMSHELL	
CR: BJM DATE: 8-13-87		FIXED WIRING DIAGRAM	
<small> TOLERANCES FRACTIONS DECIMALS 1/16 .001 1/8 .002 1/4 .005 3/8 .010 1/2 .015 3/4 .020 1 .030 UNLESS OTHERWISE SPECIFIED DIMENSIONS ARE IN INCHES </small>		NEXT HIGHER ASSY.	SHEET
SCALE: 10 FIT		1 OF 1	DRAWING NUMBER
		61113-24	REV
			C

WIRING DIAGRAM G-EDSI

FP = FLAME PROBE
 SE = SPARK ELECTRODE
 SC = SPARK CONTROL
 SV = SOLENOID VALVE
 SS = 12 POSITION SELECTOR SWITCH
 TC = TEMP. CONTROL BOARD
 B = BURNER
 S = SWITCH

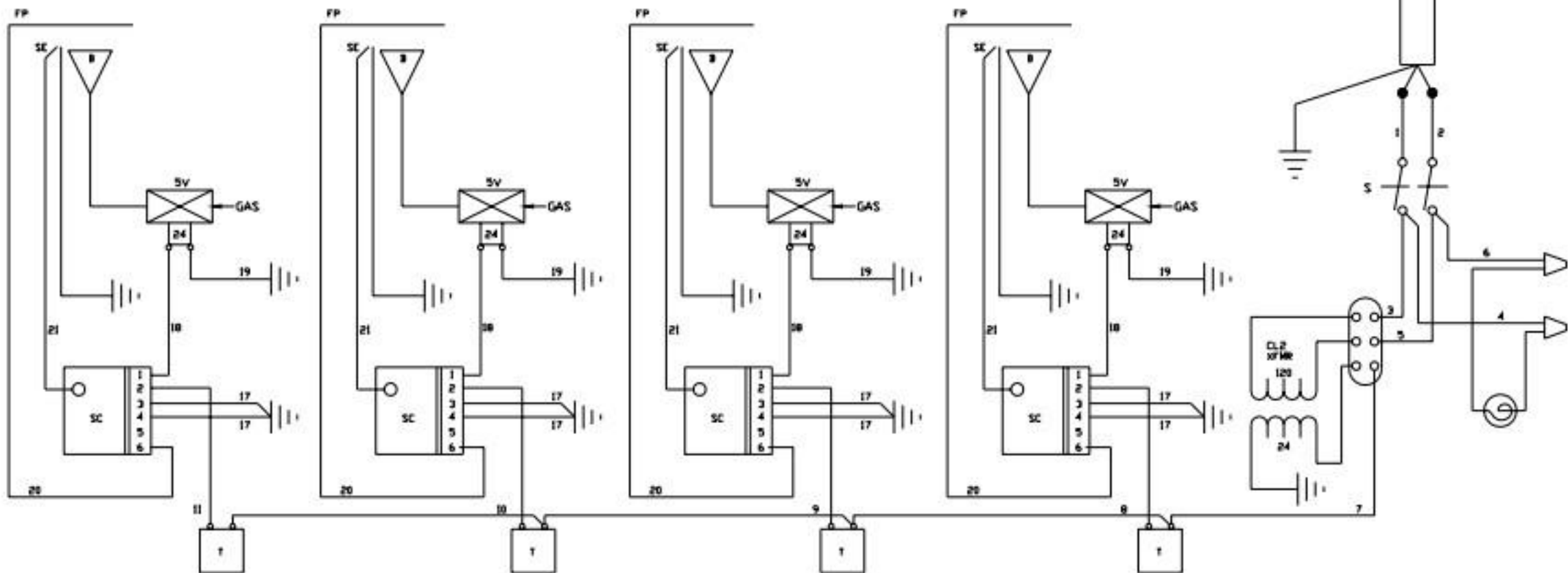




REVISION BLOCK

REV	ECN NO.	DESCRIPTION	DR	MFG	ENG	DATE

FP = FLAME PROBE
 SE = SPARK ELECTRODE
 SC = SPARK CONTROL
 SV = SOLENOID VALVE
 B = BURNER
 T = THERMOSTAT



G24TDSI
 G36TDSI
 G48TDSI
 G60TDSI
 G72TDSI

QTY	ITEM	PART NUMBER	DESCRIPTION / MATERIAL
LANG MANUFACTURING			
DR:	DATE:	12-2-97	TITLE: GAS GRIDDLE DSI ACCUTEMP
CK:	DATE:		
TOLERANCES		NEXT HIGHER ASSY.	
FRACTIONS	DECIMALS	SHEET	DRAWING NUMBER
3/16	.1	1 OF 1	61122-17
ANGLES	30 & 45		REV
8/32	.015 & .030		
UNLESS OTHERWISE SPECIFIED DIMENSIONS ARE IN INCHES			
SCALE:	TO FIT		

G48TI

G36TI

