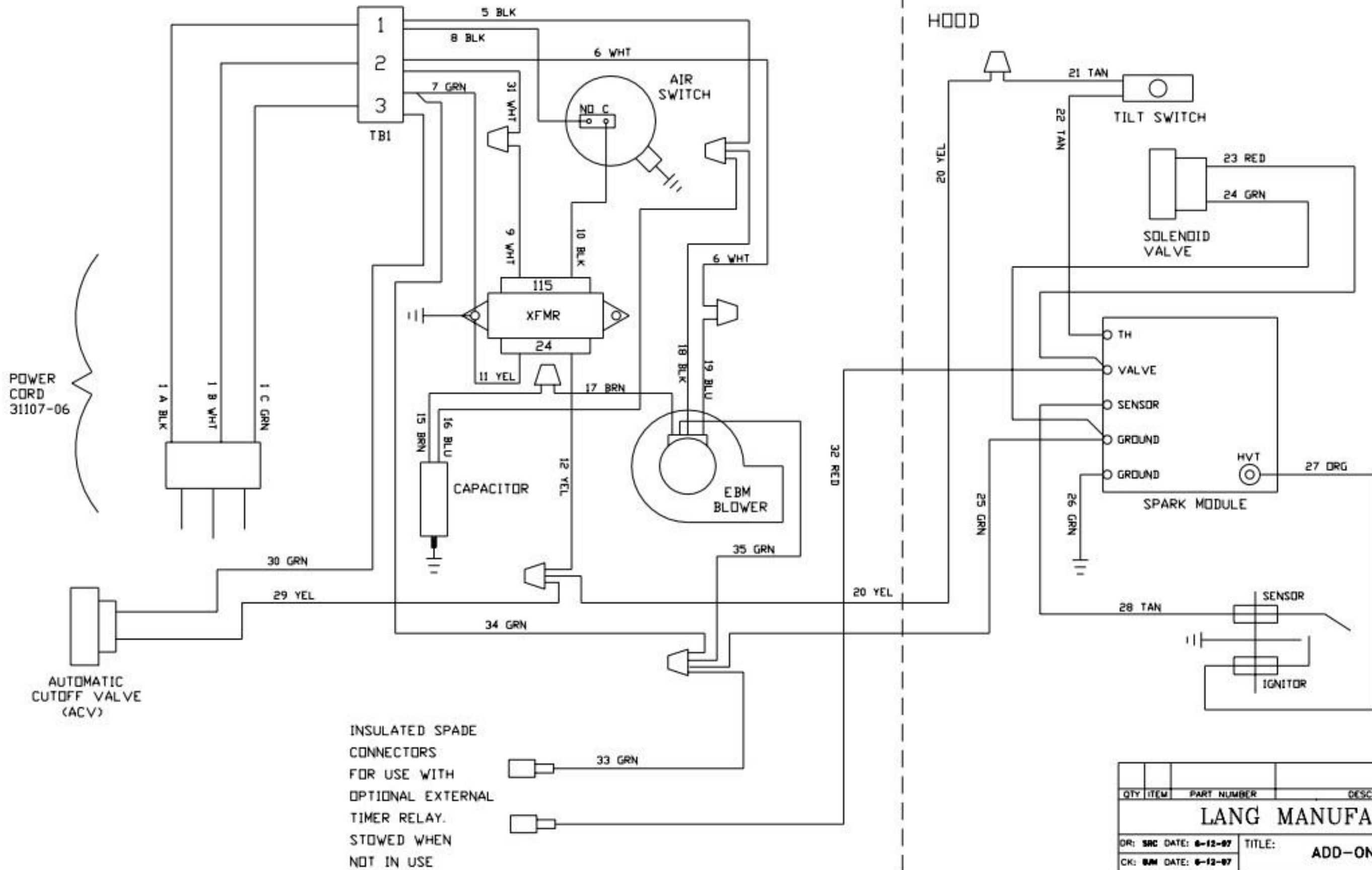


REVISION BLOCK						
REV	ECN NO.	DESCRIPTION	DR:	MFG	ENG	DATE
C		REMOVED WIRE 13 BLK	BJM			7-21-98

### CARRIAGE

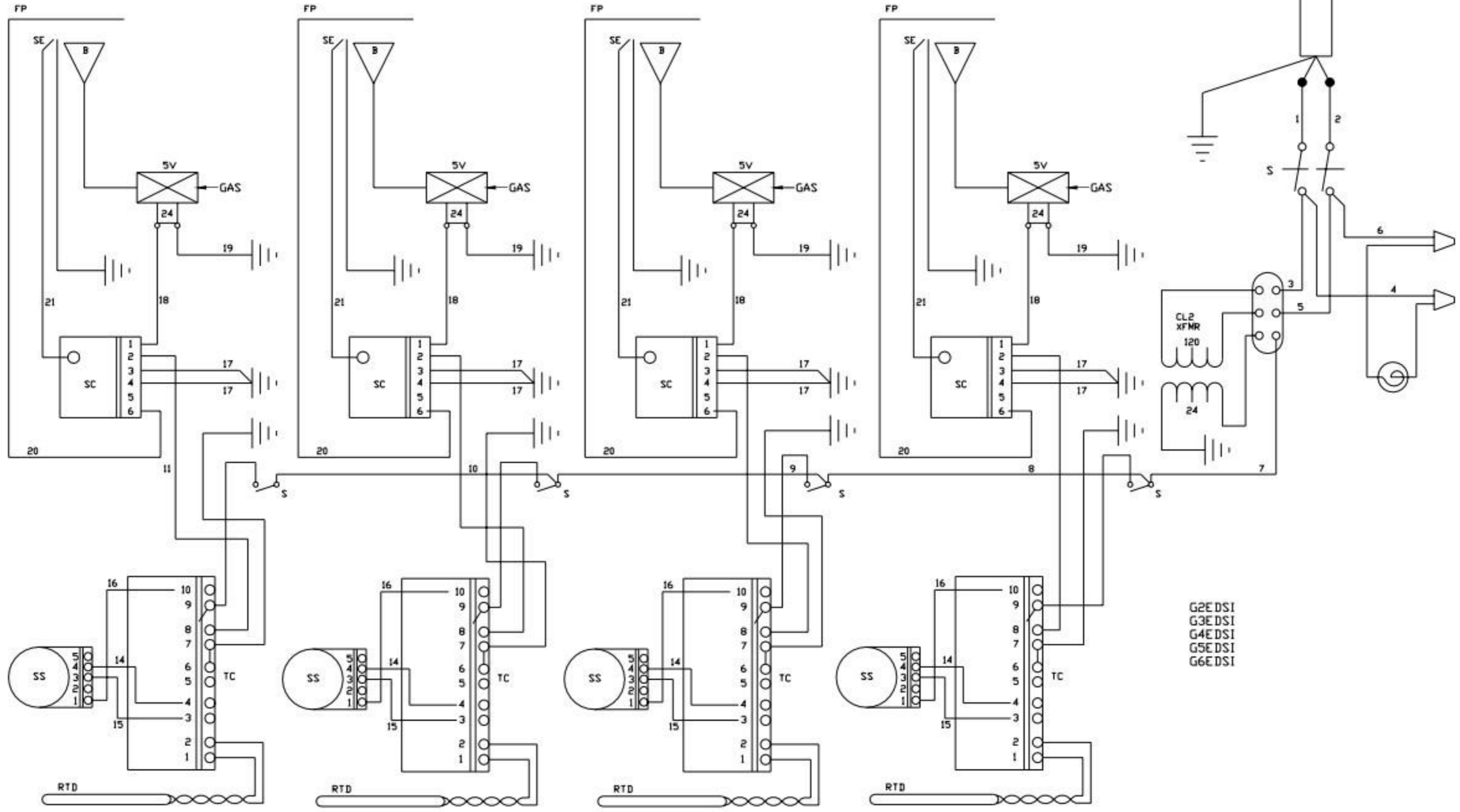
### HOOD



QTY	ITEM	PART NUMBER	DESCRIPTION / MATERIAL
<b>LANG MANUFACTURING</b>			
DR:	SRC DATE:	6-12-97	TITLE: ADD-ON GAS CLAMSHELL
CK:	BJM DATE:	6-12-97	FIXED WIRING DIAGRAM
TOLERANCES		NEXT HIGHER ASSY.	
FRACTIONS	DECIMALS	SHEET	DRAWING NUMBER
± 1/64	± .06	1 OF 1	61113-24
ANGLES	± .03	REV	C
UNLESS OTHERWISE SPECIFIED DIMENSIONS ARE IN INCHES		SCALE: TO FIT	

# WIRING DIAGRAM G-EDSI

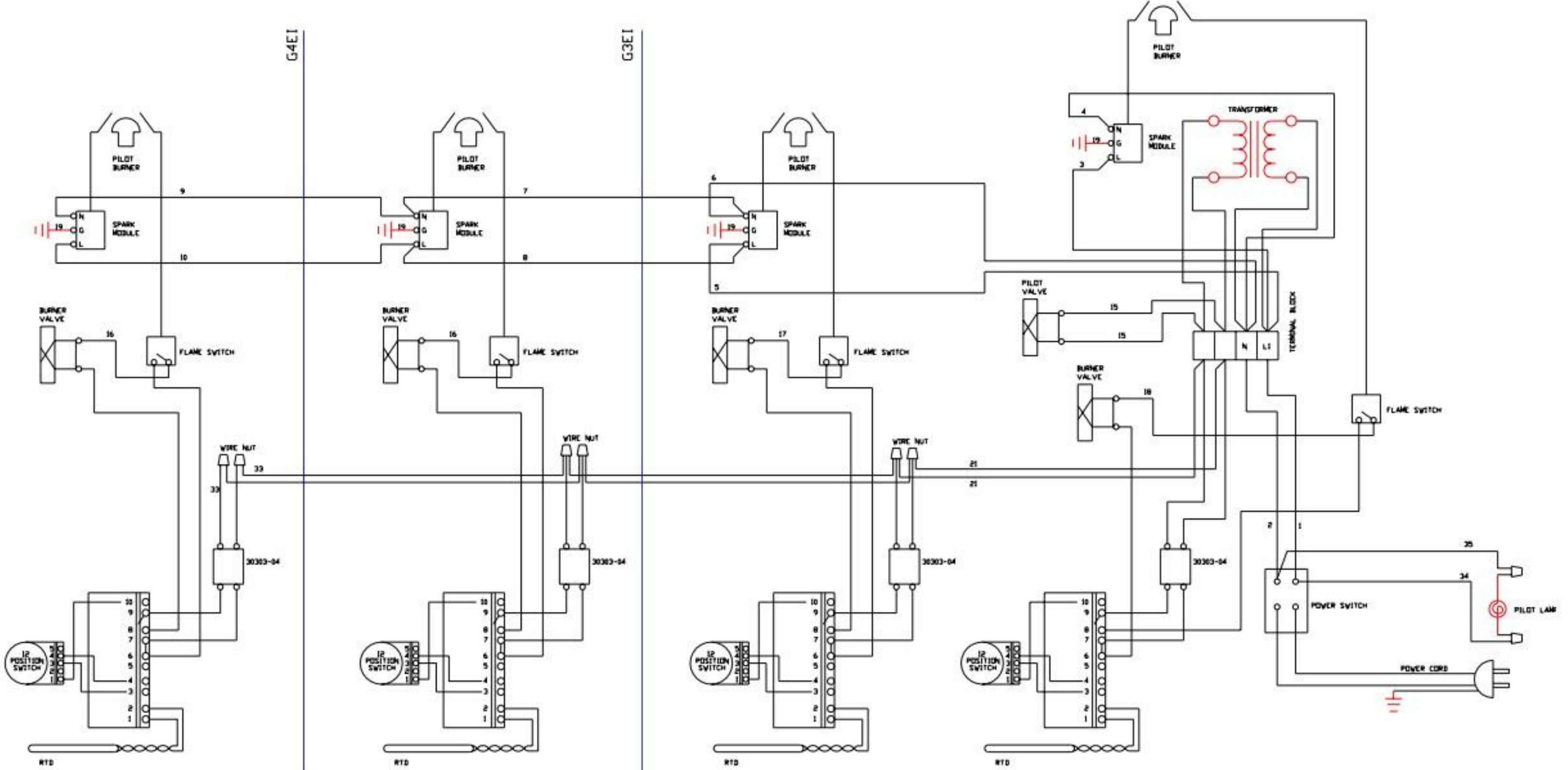
FP = FLAME PROBE  
 SE = SPARK ELECTRODE  
 SC = SPARK CONTROL  
 SV = SOLENOID VALVE  
 SS = 12 POSITION SELECTOR SWITCH  
 TC = TEMP. CONTROL BOARD  
 B = BURNER  
 S = SWITCH



G2EDSI  
 G3EDSI  
 G4EDSI  
 G5EDSI  
 G6EDSI

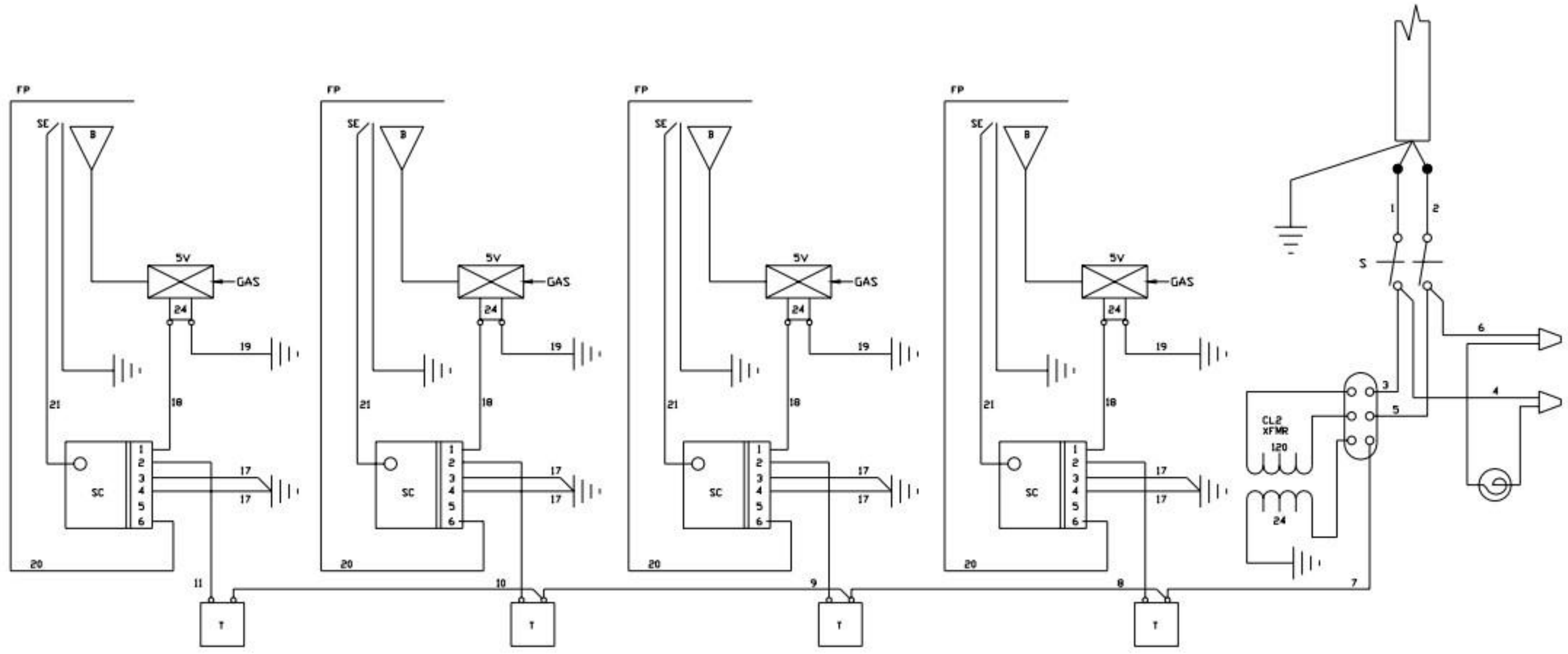
G4E1

G3E1



REVISION BLOCK						
REV	ECN NO.	DESCRIPTION	DR:	MFG	ENG	DATE

FP = FLAME PROBE  
 SE = SPARK ELECTRODE  
 SC = SPARK CONTROL  
 SV = SOLENOID VALVE  
 B = BURNER  
 T = THERMOSTAT



G24TDS1  
 G36TDS1  
 G48TDS1  
 G60TDS1  
 G72TDS1

QTY	ITEM	PART NUMBER	DESCRIPTION / MATERIAL
<b>LANG MANUFACTURING</b>			
DR: SMC DATE: 12-2-87		TITLE: GAS GRIDDLE DSI ACCUTEMP	
CK: DATE:		G48TDS1 WIRING DIAGRAM	
TOLERANCES FRACTIONS DECIMALS ± 1/64 .X ± .06 ANGLES .XX ± .03 ± .5' .XXX ± .015 UNLESS OTHERWISE SPECIFIED DIMENSIONS ARE IN INCHES		NEXT HIGHER ASSY.	SHEET
SCALE: TO FIT		1 OF 1	DRAWING NUMBER
			61122-17
			REV

