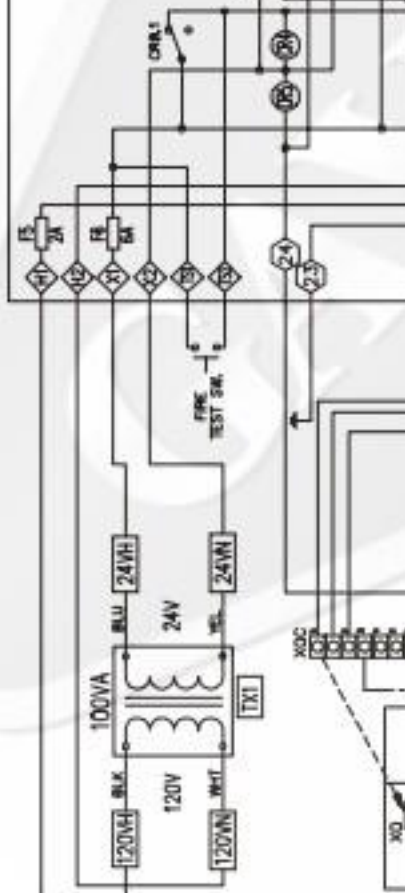
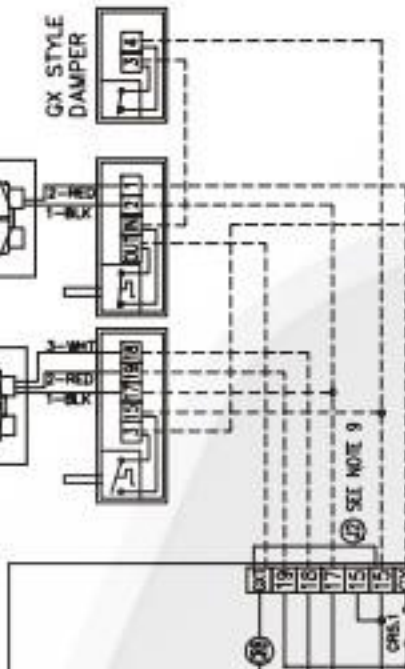
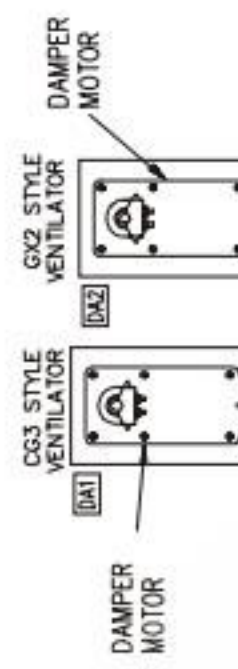


120 VAC, 50-60HZ, 600 WATTS MAXIMUM.
GENERAL NOTES

1. ALL EXTERNAL CONTROL WIRING SHALL BE 12 GAUGE MINIMUM OR AS PER APPLICABLE CODES.
2. THE HOLDING COILS WITHIN THE MAGNETIC STARTERS MUST MATCH THE SUPPLY VOLTAGE. MAGNETIC STARTERS ARE SUPPLIED BY OTHERS.
3. ALL VOLTAGE FREE CONTACTS FOR EXTERNAL SHALLING ARE RATED FOR 3A @ 240 VAC.
4. EBE SWITCH TERMINALS 4 & 5S TERMINALS FOR NORMALLY OPEN FIRE SUPPRESSION MICROSWITCH AND/OR REMOVE FIRE SWITCH WHICH ACTIVATES THE "EXTERNAL FIRE MODE".
5. FIRE SYSTEM TERMINALS Q1 & Q2 CONTACTS OPEN WHEN CONTROL GOES INTO INTERNAL OR EXTERNAL FIRE MODES.
6. LOW DETERGENT TERMINALS J & J2 DISPLAY WILL FLASH "LOW DETERGENT" WHEN ACTIVATED AND NOT IN WASH MODE. CUT JAMPER (J), AND REMOVE ANY JAMPER BETWEEN #4 & 10 WHEN INSTALLING FLOW SWITCH.
7. IN EXTERNAL FIRE MODE (REMOVE FIRE SWITCH CONTACTS CLOSED) TERMINAL #6 DE-ENERGIZES SHUTTING OFF SUPPLY FAN TERMINAL #8 ENERGIZES TURNING ON EXHAUST FAN.
8. IN INTERNAL FIRE MODE (THERMOSTAT ACTIVATED) TERMINALS #1 AND #8 DE-ENERGIZE, SHUTTING OFF EXHAUST AND SUPPLY FANS.
9. CUT JAMPER (J2), AND REMOVE ANY JAMPER BETWEEN #10 & 10T WHEN Q2 OR R-97 DAMPER MOTORS ARE CONNECTED TO THIS CONTROL CABINET.



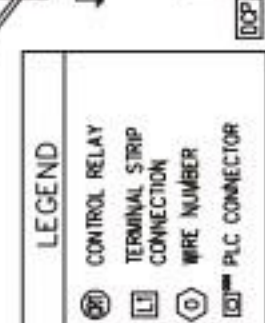
PLC I/O SCHEDULE

INPUTS	OUTPUTS
X0.2: FIRE MESSAGE/STATUS	Y0.2: WASH ORP#1 SOLENOID VALVE
X0.1: REMOVE FIRE SWITCH (OPT)	Y0.1: FIRE ALARM RELAY
X0.2: DETERGENT FLOW SW. (OPT)	Y0.2: DE-ENERGIZE PUMP
X0.3: JAMPER TO DEFAULT WASH MODES (OPT)	Y0.3: EXHAUST FAN
X0.4-11.3: RESERVED	Y0.4: SUPPLY FAN
NOTE: EXPANSION MODULE IS NO INPUTS.	Y0.5: CG3 DAMPER TO WASH POSITION
	Y1.0: WASH ORP#2 SOLENOID VALVE
	Y1.1: WASH ORP#3 SOLENOID VALVE
	Y1.2: WASH ORP#4 SOLENOID VALVE
	Y1.3: WASH ORP#5 SOLENOID VALVE

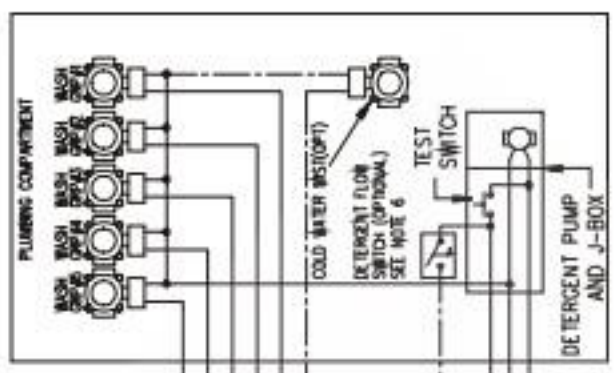
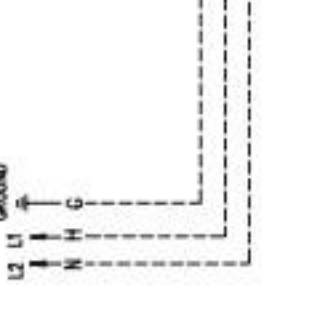
WIRING BY GAYLORD
FIELD WIRING BY OTHERS
OPTIONAL WIRING BY GAYLORD

SHOP NOTE:
24VAC CONNECTED TO COMMON FOR OUTPUTS 0 & 1 ONLY.
ALL OTHER COMMONS CONNECTED TO 120VAC.

MMI PANEL CONTROLS ALL STATUS MESSAGES, FAN ON, WASH ON, TEST, CANCEL, AND WASH TIME SELECT FUNCTIONS VIA COMS PORT.

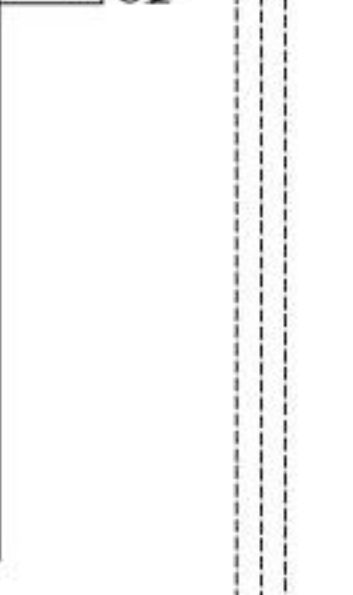
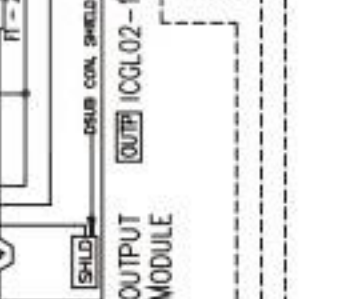
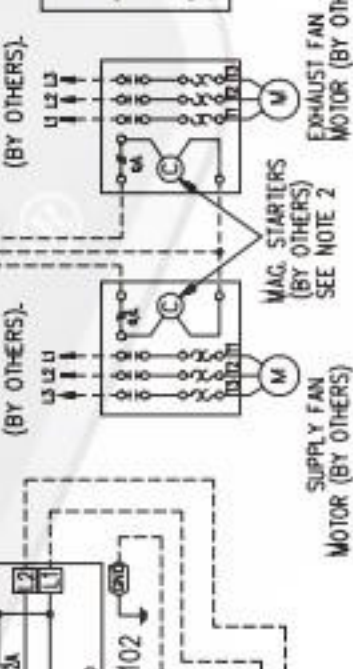


MAIN ELECTRICAL SERVICE TO BE FUSED SEPARATELY. SEE "SUPPLY VOLTAGE" FOR POWER REQUIREMENTS



GENERAL NOTES

- PEM (PLC EXPANSION MODULE) NOT REQUIRED FOR AN "S1". PEM IS REQUIRED FOR AN "S2" OR HIGHER.
- 100VA TRANSFORMER GOOD FOR UP TO 10 DAMPERS.



WIRING BY GAYLORD
FIELD WIRING BY OTHERS
OPTIONAL WIRING BY GAYLORD

SHOP NOTE:
24VAC CONNECTED TO COMMON FOR
OUTPUTS 0 & 1 ONLY.
ALL OTHER COMMONS CONNECTED TO
120VAC.

PLC I/O SCHEDULE	
INPUTS	OUTPUTS
00.0 FIRE INHIBIT 00.1 REMOTE FIRE SWITCH (OPT) 00.2 DETERGENT FLOW SW (OPT) 00.3 DAMPER TO DISABLE WASH 00.4 SOLENOIDS DURING FIRE 00.5 MODES (OPT) 00.6-00.8 RESERVED 00.9-01.2 EXPANSION MODULE IS OUTPUT ONLY, IT HAS NO INPUTS	01.0 WASH GPPV SOLENOID VALVE 01.1 FIRE ALARM RELAY 01.2 DETERGENT PUMP 01.3 EXHAUST FAN 01.4 SUPPLY FAN 01.5 G22 DAMPER TO WASH POSITION 01.6 WASH GPPV2 SOLENOID VALVE 01.7 WASH GPPV3 SOLENOID VALVE 01.8 WASH GPPV4 SOLENOID VALVE 01.9 WASH GPPV5 SOLENOID VALVE

MMI PANEL CONTROLS ALL
STATUS MESSAGES, FAN ON,
WASH ON, TEST, CANCEL,
AND WASH TIME SELECT
FUNCTIONS VIA COMS PORT.

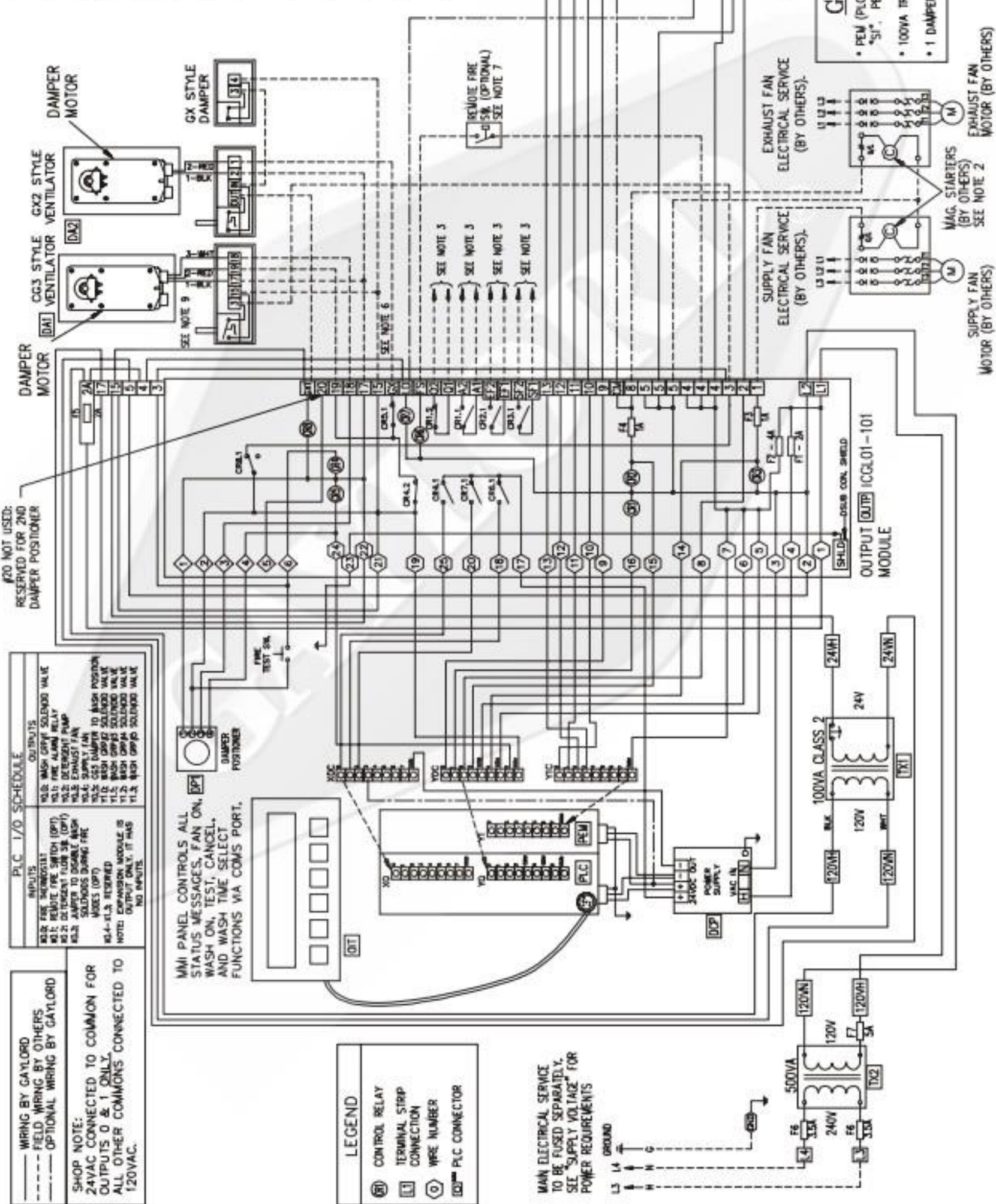
#20 NOT USED:
RESERVED FOR 2ND
DAMPER POSITIONER

- SUPPLY VOLTAGE ---
120 VAC, 50-60HZ, 600 WATTS MAXIMUM
5 AMPS MAXIMUM.
- GENERAL NOTES
- ALL EXTERNAL CONTROL WIRING SHALL BE 12 GAUGE MINIMUM OR AS PER APPLICABLE CODES.
 - THE HOLDING COILS WITHIN THE MAGNETIC STARTERS MUST MATCH THE SUPPLY VOLTAGE. MAGNETIC STARTERS ARE SUPPLIED BY OTHERS.
 - ALL VOLTAGE FREE CONTACTS FOR EXTERNAL SIGNALING ARE RATED FOR 3A @ 240 VAC.
 - OPTIONAL FIRE SWITCH TERMINALS A & B IS SWITCH WHICH ACTIVATES THE "EXTERNAL FIRE MODE".
 - FIRE SYSTEM TERMINALS OF A & B CONTACTS OPEN WHEN CONTROL GOES INTO INTERNAL OR EXTERNAL FIRE MODES.
 - LOW DETERGENT TERMINALS A & B IS DISPLAY WILL FLASH "LOW DETERGENT" WHEN ACTIVATED AND NOT IN WASH MODE. REMOVE JUMPER BETWEEN A & B WHEN INSTALLING FLOW SWITCH.
 - IN EXTERNAL FIRE MODE (REMOTE FIRE SWITCH PULLED) TERMINAL #1 DE-ENERGIZES SHUTTING OFF SUPPLY FAN TERMINAL #8 ENERGIZES TURNING ON EXHAUST FAN.
 - IN INTERNAL FIRE MODE (THERMOSTAT ACTIVATED) TERMINALS #1 AND #8 DE-ENERGIZE, SHUTTING OFF EXHAUST AND SUPPLY FANS.
 - REMOVE JUMPER BETWEEN #10 & #11 WHEN G22 MONITORS ARE CONNECTED TO THIS CONTROL CABINET.

LEGEND

	CONTROL RELAY
	TERMINAL STRIP CONNECTION
	WIRE NUMBER
	PLC CONNECTOR

MAIN ELECTRICAL SERVICE TO BE FUSED SEPARATELY. SEE "SUPPLY VOLTAGE" FOR POWER REQUIREMENTS



- GENERAL NOTES
- PEM (PLC EXPANSION MODULE) NOT REQUIRED FOR AN "S1". PEM IS REQUIRED FOR AN "S2" OR HIGHER.
 - 100VA TRANSFORMER GOOD FOR UP TO 10 DAMPERS.
 - 1 DAMPER POSITIONER CONTROLS UP TO 10 DAMPERS.

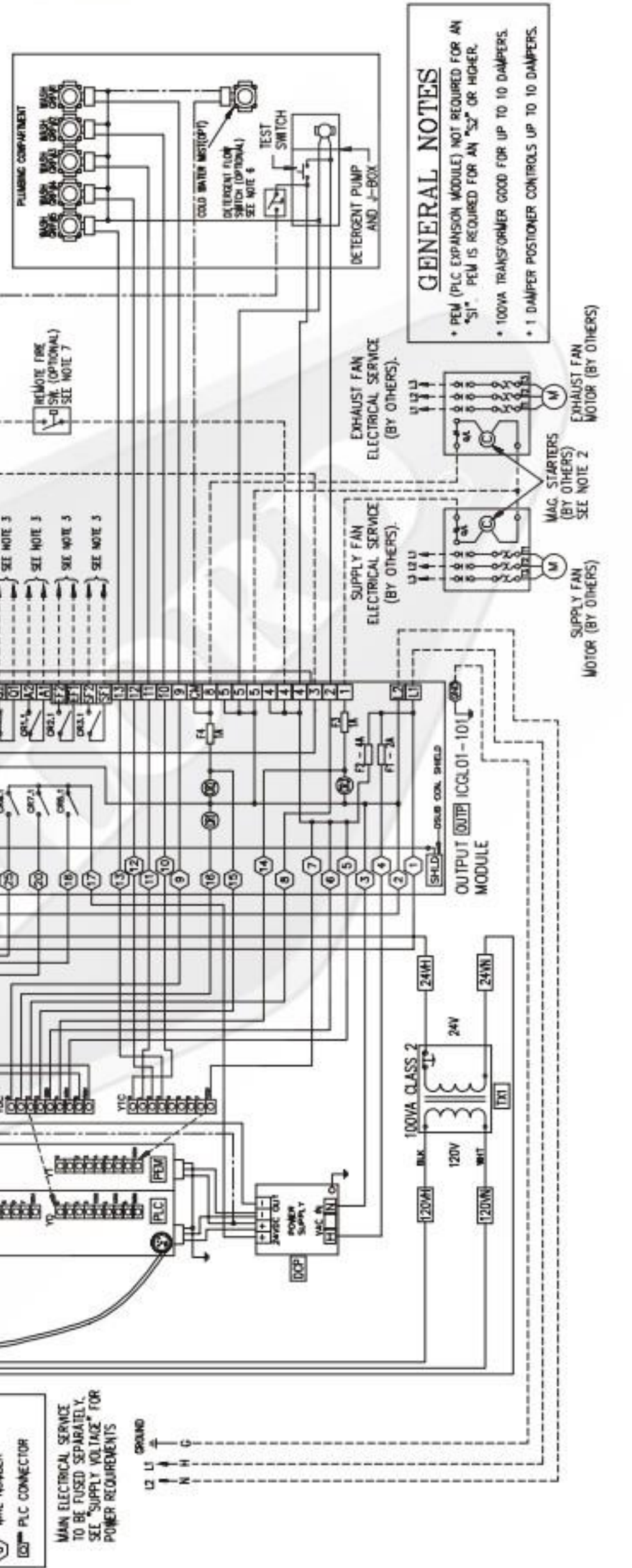
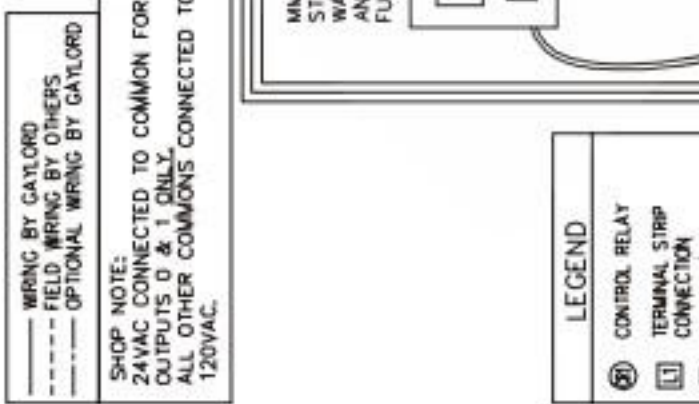
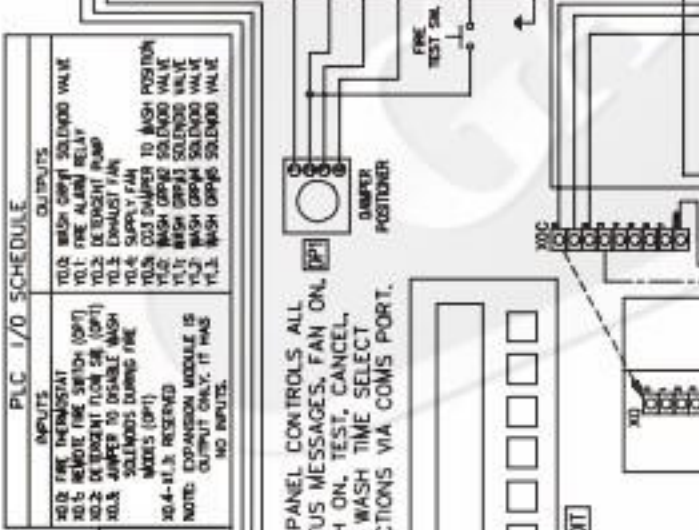
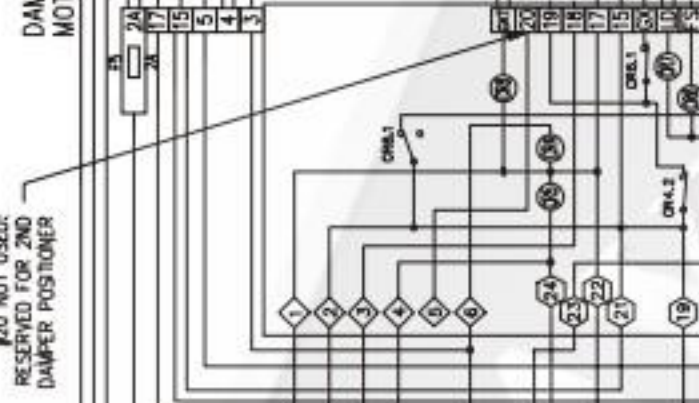
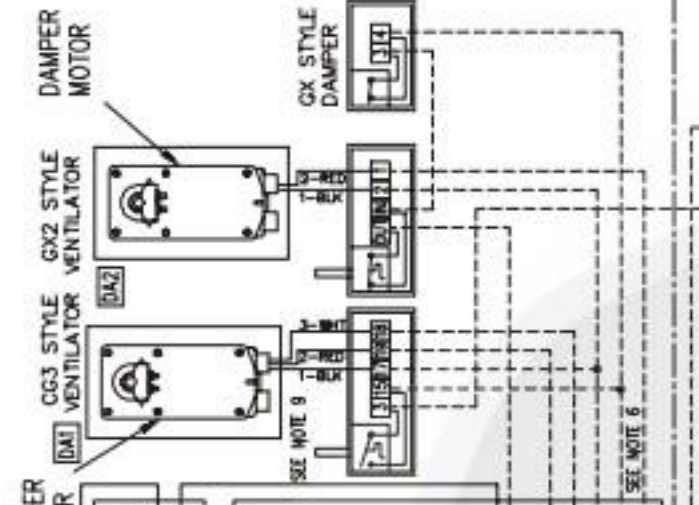
WIRING BY GAYLORD
FIELD WIRING BY OTHERS
OPTIONAL WIRING BY GAYLORD

SHOP NOTE:
24VAC CONNECTED TO COMMON FOR
OUTPUTS 0 & 1 ONLY.
ALL OTHER COMMONS CONNECTED TO
120VAC.

PLC I/O SCHEDULE	
INPUTS	OUTPUTS
X0.0 FIRE THERMOSTAT	Y0.0 WASH ON/PT SOLENOID VALVE
X0.1 REMOTE FIRE SWITCH (OPT)	Y0.1 FIRE ALARM RELAY
X0.2 DETERGENT FLOW SW (OPT)	Y0.2 EXHAUST FAN
X0.3 JAMPER TO DISABLE WASH	Y0.3 SUPPLY FAN
X0.4 SUPPLIES DURING FIRE	Y0.4 EXHAUST FAN
X0.5 WASH ON/PT	Y0.5 HIGH DRYER SOLENOID VALVE
X0.6 WASH ON/PT	Y0.6 HIGH DRYER SOLENOID VALVE
X0.7 WASH ON/PT	Y0.7 WASH ON/PT SOLENOID VALVE
X0.8 WASH ON/PT	Y0.8 WASH ON/PT SOLENOID VALVE
X0.9 WASH ON/PT	Y0.9 WASH ON/PT SOLENOID VALVE
X0.10 WASH ON/PT	Y0.10 WASH ON/PT SOLENOID VALVE
X0.11 WASH ON/PT	Y0.11 WASH ON/PT SOLENOID VALVE
X0.12 WASH ON/PT	Y0.12 WASH ON/PT SOLENOID VALVE
X0.13 WASH ON/PT	Y0.13 WASH ON/PT SOLENOID VALVE
X0.14 WASH ON/PT	Y0.14 WASH ON/PT SOLENOID VALVE
X0.15 WASH ON/PT	Y0.15 WASH ON/PT SOLENOID VALVE
X0.16 WASH ON/PT	Y0.16 WASH ON/PT SOLENOID VALVE
X0.17 WASH ON/PT	Y0.17 WASH ON/PT SOLENOID VALVE
X0.18 WASH ON/PT	Y0.18 WASH ON/PT SOLENOID VALVE
X0.19 WASH ON/PT	Y0.19 WASH ON/PT SOLENOID VALVE
X0.20 WASH ON/PT	Y0.20 WASH ON/PT SOLENOID VALVE
X0.21 WASH ON/PT	Y0.21 WASH ON/PT SOLENOID VALVE
X0.22 WASH ON/PT	Y0.22 WASH ON/PT SOLENOID VALVE
X0.23 WASH ON/PT	Y0.23 WASH ON/PT SOLENOID VALVE
X0.24 WASH ON/PT	Y0.24 WASH ON/PT SOLENOID VALVE
X0.25 WASH ON/PT	Y0.25 WASH ON/PT SOLENOID VALVE
X0.26 WASH ON/PT	Y0.26 WASH ON/PT SOLENOID VALVE
X0.27 WASH ON/PT	Y0.27 WASH ON/PT SOLENOID VALVE
X0.28 WASH ON/PT	Y0.28 WASH ON/PT SOLENOID VALVE
X0.29 WASH ON/PT	Y0.29 WASH ON/PT SOLENOID VALVE
X0.30 WASH ON/PT	Y0.30 WASH ON/PT SOLENOID VALVE
X0.31 WASH ON/PT	Y0.31 WASH ON/PT SOLENOID VALVE
X0.32 WASH ON/PT	Y0.32 WASH ON/PT SOLENOID VALVE
X0.33 WASH ON/PT	Y0.33 WASH ON/PT SOLENOID VALVE
X0.34 WASH ON/PT	Y0.34 WASH ON/PT SOLENOID VALVE
X0.35 WASH ON/PT	Y0.35 WASH ON/PT SOLENOID VALVE
X0.36 WASH ON/PT	Y0.36 WASH ON/PT SOLENOID VALVE
X0.37 WASH ON/PT	Y0.37 WASH ON/PT SOLENOID VALVE
X0.38 WASH ON/PT	Y0.38 WASH ON/PT SOLENOID VALVE
X0.39 WASH ON/PT	Y0.39 WASH ON/PT SOLENOID VALVE
X0.40 WASH ON/PT	Y0.40 WASH ON/PT SOLENOID VALVE
X0.41 WASH ON/PT	Y0.41 WASH ON/PT SOLENOID VALVE
X0.42 WASH ON/PT	Y0.42 WASH ON/PT SOLENOID VALVE
X0.43 WASH ON/PT	Y0.43 WASH ON/PT SOLENOID VALVE
X0.44 WASH ON/PT	Y0.44 WASH ON/PT SOLENOID VALVE
X0.45 WASH ON/PT	Y0.45 WASH ON/PT SOLENOID VALVE
X0.46 WASH ON/PT	Y0.46 WASH ON/PT SOLENOID VALVE
X0.47 WASH ON/PT	Y0.47 WASH ON/PT SOLENOID VALVE
X0.48 WASH ON/PT	Y0.48 WASH ON/PT SOLENOID VALVE
X0.49 WASH ON/PT	Y0.49 WASH ON/PT SOLENOID VALVE
X0.50 WASH ON/PT	Y0.50 WASH ON/PT SOLENOID VALVE
X0.51 WASH ON/PT	Y0.51 WASH ON/PT SOLENOID VALVE
X0.52 WASH ON/PT	Y0.52 WASH ON/PT SOLENOID VALVE
X0.53 WASH ON/PT	Y0.53 WASH ON/PT SOLENOID VALVE
X0.54 WASH ON/PT	Y0.54 WASH ON/PT SOLENOID VALVE
X0.55 WASH ON/PT	Y0.55 WASH ON/PT SOLENOID VALVE
X0.56 WASH ON/PT	Y0.56 WASH ON/PT SOLENOID VALVE
X0.57 WASH ON/PT	Y0.57 WASH ON/PT SOLENOID VALVE
X0.58 WASH ON/PT	Y0.58 WASH ON/PT SOLENOID VALVE
X0.59 WASH ON/PT	Y0.59 WASH ON/PT SOLENOID VALVE
X0.60 WASH ON/PT	Y0.60 WASH ON/PT SOLENOID VALVE
X0.61 WASH ON/PT	Y0.61 WASH ON/PT SOLENOID VALVE
X0.62 WASH ON/PT	Y0.62 WASH ON/PT SOLENOID VALVE
X0.63 WASH ON/PT	Y0.63 WASH ON/PT SOLENOID VALVE
X0.64 WASH ON/PT	Y0.64 WASH ON/PT SOLENOID VALVE
X0.65 WASH ON/PT	Y0.65 WASH ON/PT SOLENOID VALVE
X0.66 WASH ON/PT	Y0.66 WASH ON/PT SOLENOID VALVE
X0.67 WASH ON/PT	Y0.67 WASH ON/PT SOLENOID VALVE
X0.68 WASH ON/PT	Y0.68 WASH ON/PT SOLENOID VALVE
X0.69 WASH ON/PT	Y0.69 WASH ON/PT SOLENOID VALVE
X0.70 WASH ON/PT	Y0.70 WASH ON/PT SOLENOID VALVE
X0.71 WASH ON/PT	Y0.71 WASH ON/PT SOLENOID VALVE
X0.72 WASH ON/PT	Y0.72 WASH ON/PT SOLENOID VALVE
X0.73 WASH ON/PT	Y0.73 WASH ON/PT SOLENOID VALVE
X0.74 WASH ON/PT	Y0.74 WASH ON/PT SOLENOID VALVE
X0.75 WASH ON/PT	Y0.75 WASH ON/PT SOLENOID VALVE
X0.76 WASH ON/PT	Y0.76 WASH ON/PT SOLENOID VALVE
X0.77 WASH ON/PT	Y0.77 WASH ON/PT SOLENOID VALVE
X0.78 WASH ON/PT	Y0.78 WASH ON/PT SOLENOID VALVE
X0.79 WASH ON/PT	Y0.79 WASH ON/PT SOLENOID VALVE
X0.80 WASH ON/PT	Y0.80 WASH ON/PT SOLENOID VALVE
X0.81 WASH ON/PT	Y0.81 WASH ON/PT SOLENOID VALVE
X0.82 WASH ON/PT	Y0.82 WASH ON/PT SOLENOID VALVE
X0.83 WASH ON/PT	Y0.83 WASH ON/PT SOLENOID VALVE
X0.84 WASH ON/PT	Y0.84 WASH ON/PT SOLENOID VALVE
X0.85 WASH ON/PT	Y0.85 WASH ON/PT SOLENOID VALVE
X0.86 WASH ON/PT	Y0.86 WASH ON/PT SOLENOID VALVE
X0.87 WASH ON/PT	Y0.87 WASH ON/PT SOLENOID VALVE
X0.88 WASH ON/PT	Y0.88 WASH ON/PT SOLENOID VALVE
X0.89 WASH ON/PT	Y0.89 WASH ON/PT SOLENOID VALVE
X0.90 WASH ON/PT	Y0.90 WASH ON/PT SOLENOID VALVE
X0.91 WASH ON/PT	Y0.91 WASH ON/PT SOLENOID VALVE
X0.92 WASH ON/PT	Y0.92 WASH ON/PT SOLENOID VALVE
X0.93 WASH ON/PT	Y0.93 WASH ON/PT SOLENOID VALVE
X0.94 WASH ON/PT	Y0.94 WASH ON/PT SOLENOID VALVE
X0.95 WASH ON/PT	Y0.95 WASH ON/PT SOLENOID VALVE
X0.96 WASH ON/PT	Y0.96 WASH ON/PT SOLENOID VALVE
X0.97 WASH ON/PT	Y0.97 WASH ON/PT SOLENOID VALVE
X0.98 WASH ON/PT	Y0.98 WASH ON/PT SOLENOID VALVE
X0.99 WASH ON/PT	Y0.99 WASH ON/PT SOLENOID VALVE
X0.100 WASH ON/PT	Y0.100 WASH ON/PT SOLENOID VALVE

MMI PANEL CONTROLS ALL
STATUS MESSAGES, FAN ON,
WASH ON, TEST, CANCEL,
AND WASH TIME SELECT
FUNCTIONS VIA COMS PORT.

- 120 VAC, 50-60Hz, 600 WATTS MAXIMUM
5 AMPS, MAXIMUM.
- GENERAL NOTES**
- ALL EXTERNAL CONTROL WIRING SHALL BE 12 GAUGE MINIMUM OR AS PER APPLICABLE CODES.
 - THE HOLDING COILS WITHIN THE MAGNETIC STARTERS MUST MATCH THE SUPPLY VOLTAGE, MAGNETIC STARTERS ARE SUPPLIED BY OTHERS.
 - ALL VOLTAGE FREE CONTACTS FOR EXTERNAL SIGNALING ARE RATED FOR 3A @ 240 VAC.
 - OPTIONAL FIRE SWITCH TERMINALS A & ES TERMINALS AVAILABLE FOR OPTIONAL BREAK GLASS FIRE SWITCH WHICH ACTIVATES THE "EXTERNAL FIRE MODE".
 - FIRE SYSTEM TERMINALS Q1 & Q2 CONTACTS OPEN WHEN CONTROL GOES INTO INTERNAL OR EXTERNAL FIRE MODES.
 - LOW DETERGENT TERMINALS J & LD DISPLAY WILL FLASH "LOW DETERGENT" WHEN ACTIVATED AND NOT IN WASH MODE. REMOVE JAMPER BETWEEN J & LD WHEN INSTALLING FLOW SWITCH.
 - IN EXTERNAL FIRE MODE (REMOTE FIRE SWITCH PULLED) TERMINAL # DE-ENERGIZES SHUTTING OFF SUPPLY FAN. TERMINAL # ENERGIZES TURNING ON EXHAUST FAN.
 - IN INTERNAL FIRE MODE (THERMOSTAT ACTIVATED) TERMINALS # AND # DE-ENERGIZE, SHUTTING OFF EXHAUST AND SUPPLY FANS.
 - REMOVE JAMPER BETWEEN #S & Q2 WHEN GX2 VENTILATORS ARE CONNECTED TO THIS CONTROL CABINET.



WRING BY GAYLORD
 FIELD WRING BY OTHERS
 OPTIONAL WRING BY GAYLORD

SHOP NOTE:
 24VAC CONNECTED TO COMMON FOR
 OUTPUTS 0 & 1 ONLY.
 ALL OTHER COMMONS CONNECTED TO
 120VAC.

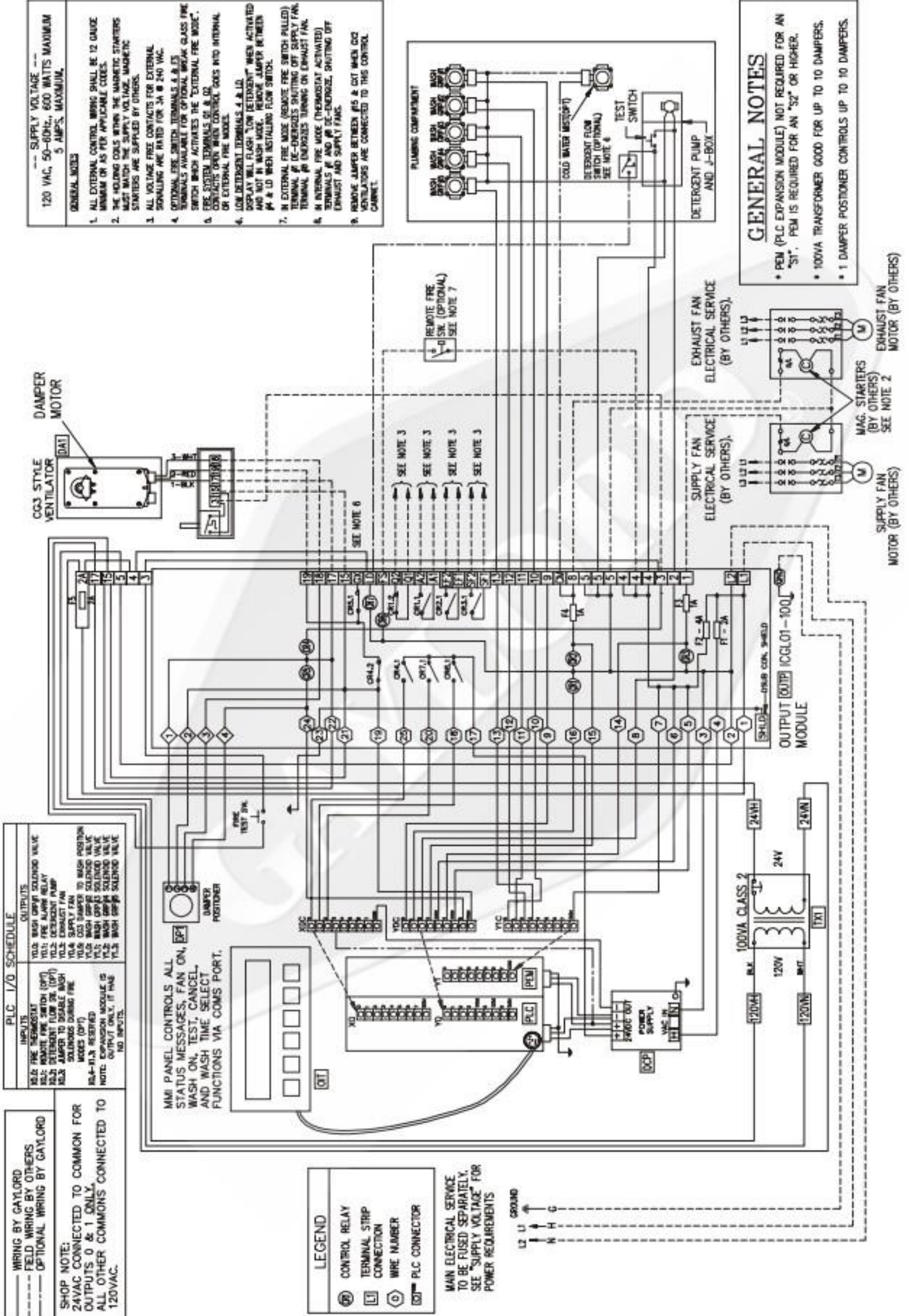
PLC I/O SCHEDULE	
INPUTS	OUTPUTS
REL1 FIRE SENSING	Y0.2 WASH OFFSOLENOID VALVE
REL2 WASH FIRE SWITCH (OPT)	Y0.1 FIRE ALARM RELAY
REL3 DETERGENT FLOW SW (OPT)	Y0.3 DETERGENT PUMP
REL4 JAMPER TO DISABLE WASH	Y0.4 EXHAUST FAN
REL5 SOLUENOIDS DURING FIRE	Y0.6 SUPPLY FAN
REL6 CO2 DAMPER	Y0.8 CO2 DAMPER TO WASH POSITION
REL7 WASH OFFSOLENOID VALVE	Y0.9 WASH OFFSOLENOID VALVE
REL8 WASH OFFSOLENOID VALVE	Y1.2 WASH OFFSOLENOID VALVE
REL9 WASH OFFSOLENOID VALVE	Y1.3 WASH OFFSOLENOID VALVE
NO INPUTS	NO OUTPUTS

MMI PANEL CONTROLS ALL
 STATUS MESSAGES, FAN ON,
 WASH ON, TEST, CANCEL
 AND WASH TIME SELECT
 FUNCTIONS VIA COMS PORT.

- SUPPLY VOLTAGE ---
 120 VAC, 50-60Hz., 600 WATTS MAXIMUM
 5 AMPS, MAXIMUM.
- GENERAL NOTES
1. ALL EXTERNAL CONTROL WIRING SHALL BE 12 GAUGE MINIMUM OR AS PER APPLICABLE CODES.
 2. THE HOLDING COILS WITHIN THE MAGNETIC STARTERS MUST MATCH THE SUPPLY VOLTAGE. MAGNETIC STARTERS ARE SUPPLIED BY OTHERS.
 3. ALL VOLTAGE FREE CONTACTS FOR EXTERNAL SIGNALING ARE RATED FOR 3A @ 240 VAC.
 4. OPTIONAL FIRE SWITCH TERMINALS A & B.5 TERMINALS AVAILABLE FOR OPTIONAL BRKGLASS FIRE SWITCH WHICH ACTIVATES THE "EXTERNAL FIRE MODE".
 5. FIRE SYSTEM TERMINALS 02 & 02 CONTACTS OPEN WHEN CONTROL GOES INTO INTERNAL OR EXTERNAL FIRE MODES.
 6. LOW DETERGENT TERMINALS 4 & 4.0 DISPLAY WILL FLASH "LOW DETERGENT" WHEN ACTIVATED AND NOT IN WASH MODE. REMOVE JAMPER BETWEEN #4 & 4.0 WHEN INSTALLING FLOW SWITCH.
 7. IN EXTERNAL FIRE MODE (REMOTE FIRE SWITCH PULLED) TERMINAL #0 DE-ENERGIZES SHUTTING OFF SUPPLY FAN TERMINAL #0 ENERGIZES TURNING ON EXHAUST FAN.
 8. IN INTERNAL FIRE MODE (THERMOSTAT ACTIVATED) TERMINALS #1 AND #0 DE-ENERGIZE, SHUTTING OFF EXHAUST AND SUPPLY FANS.
 9. REMOVE JAMPER BETWEEN #0 & 0.0T WHEN CO2 VENTILATORS ARE CONNECTED TO THIS CONTROL CABINET.

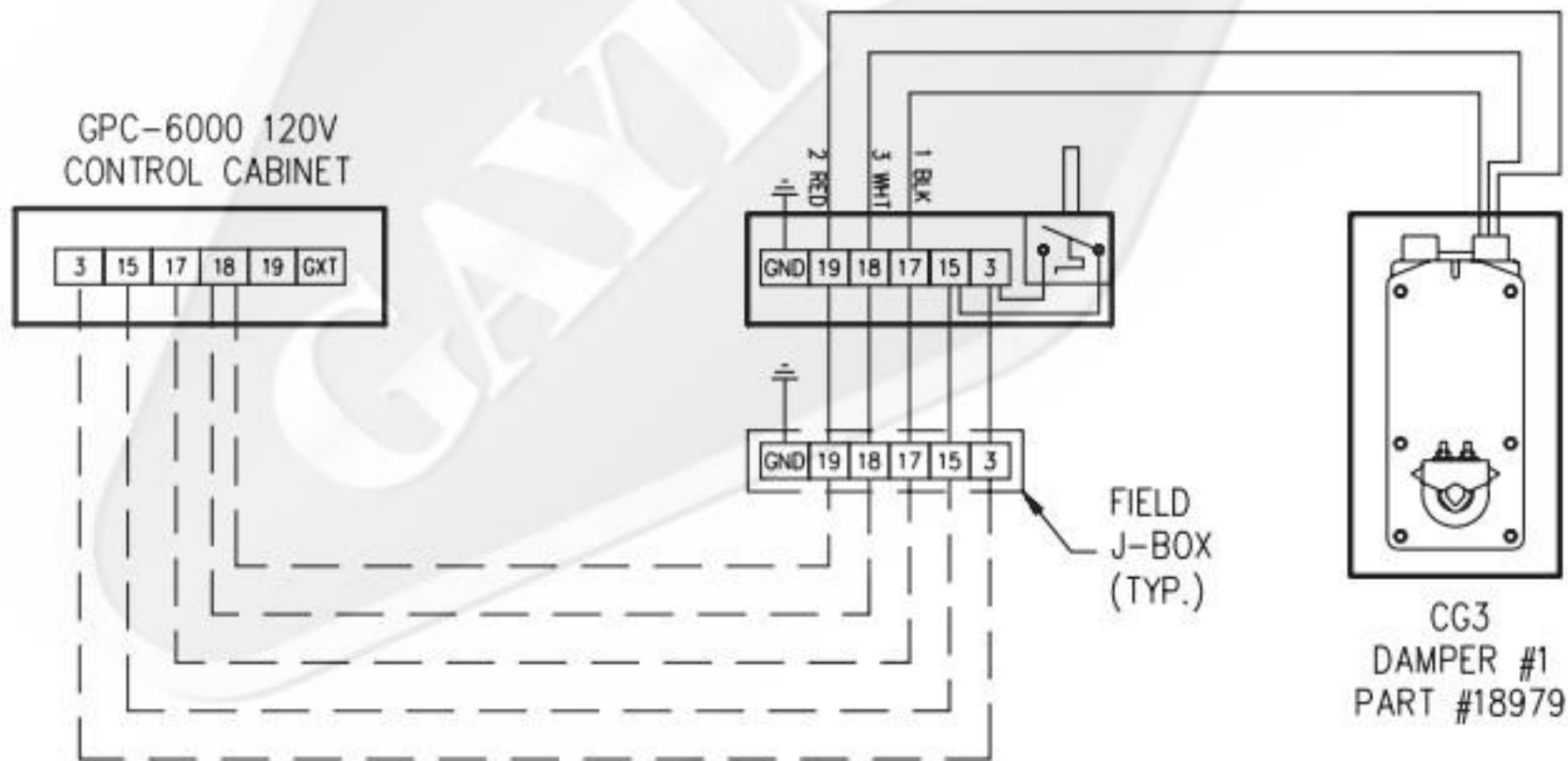


MAIN ELECTRICAL SERVICE TO BE FUSED SEPARATELY. SEE "SUPPLY VOLTAGE" FOR POWER REQUIREMENTS



- GENERAL NOTES
- PEM (PLC EXPANSION MODULE) NOT REQUIRED FOR AN "S1". PEM IS REQUIRED FOR AN "S2" OR HIGHER.
 - 100VA TRANSFORMER GOOD FOR UP TO 10 DAMPERS.
 - 1 DAMPER POSITIONER CONTROLS UP TO 10 DAMPERS.

CG3-FDL WIRING NOTES



CG3-FDL WIRING NOTES w/C-6000-B:

1. ADD FIRE DAMPER LOCKOUT BRACKET, "FDL" BRACKET, TO DAMPER ON VENTILATOR
2. WIRE #'S 18 & 19 FROM VENTILATOR CONNECT TO #18 IN THE GPC-6000 CONTROL CABINET.