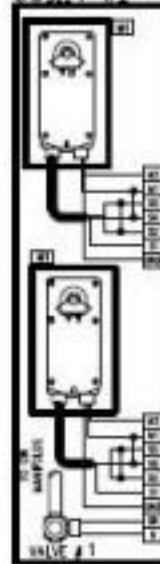
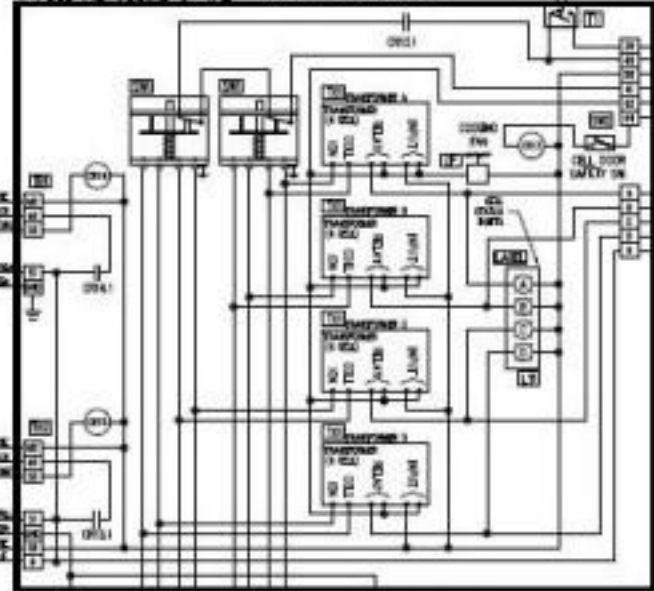


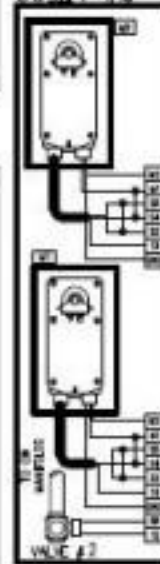
OSCIL WASH
COMP. #1



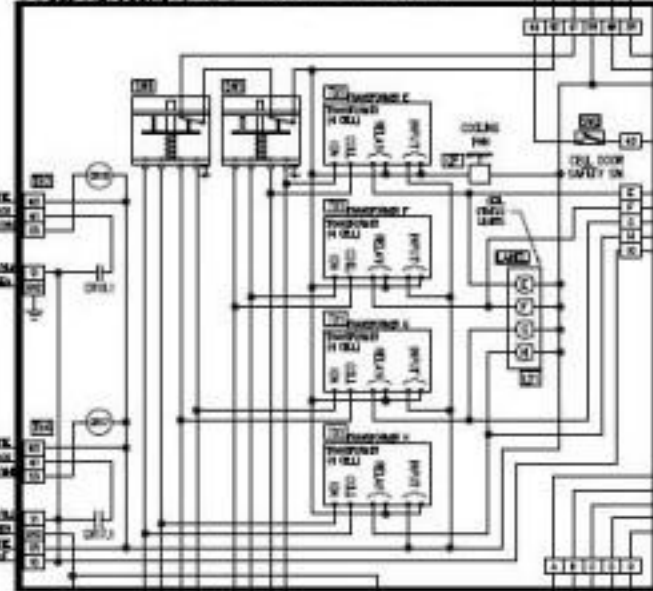
PCU ELECTRICAL
COMPARTMENT #1 4x4-2ESP



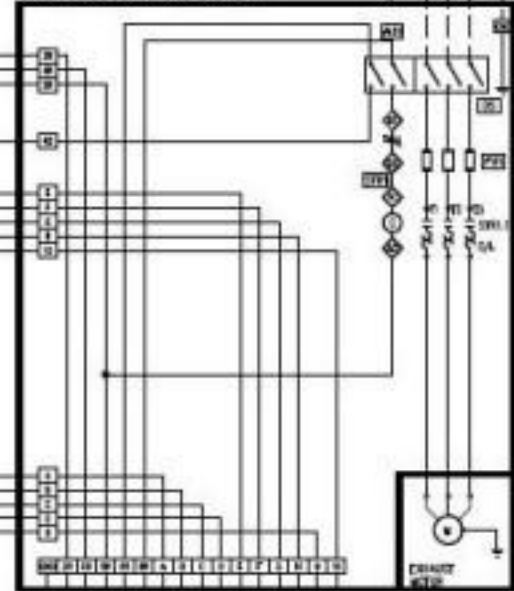
OSCIL WASH
COMP. #2



PCU ELECTRICAL
COMPARTMENT #2 4x4-2ESP

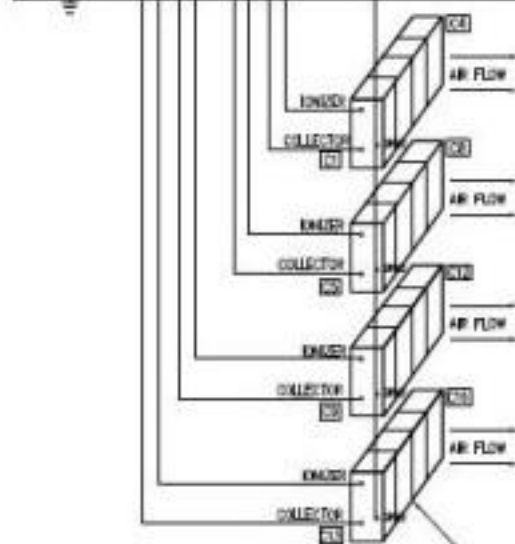


PCU ELECTRICAL
COMPARTMENT MAIN

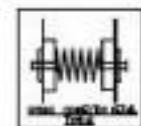


MOTOR DISCONNECT SWITCH, AUX. CONTACTS, MOTOR STARTER, OVERLOAD RELAY, FUSE BLOCK, FUSES, AND MOTOR PROVIDED BY MANUFACTURER

MOTOR TONED BY OTHERS. SEE MOTOR STARTER COMPONENT SCHEDULE FOR WIRING.

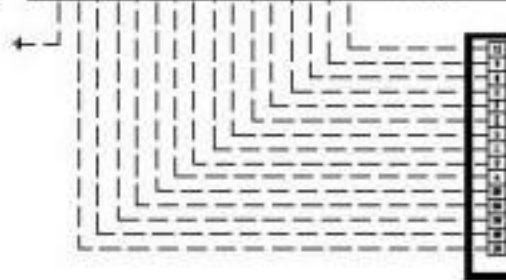
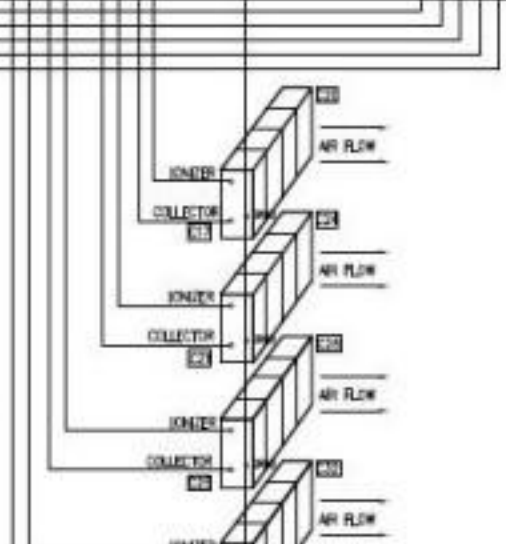


INTERCONNECTED AT THIS POINT BY SPRING CONNECTORS (SEE SPRING CONNECTOR DETAIL)

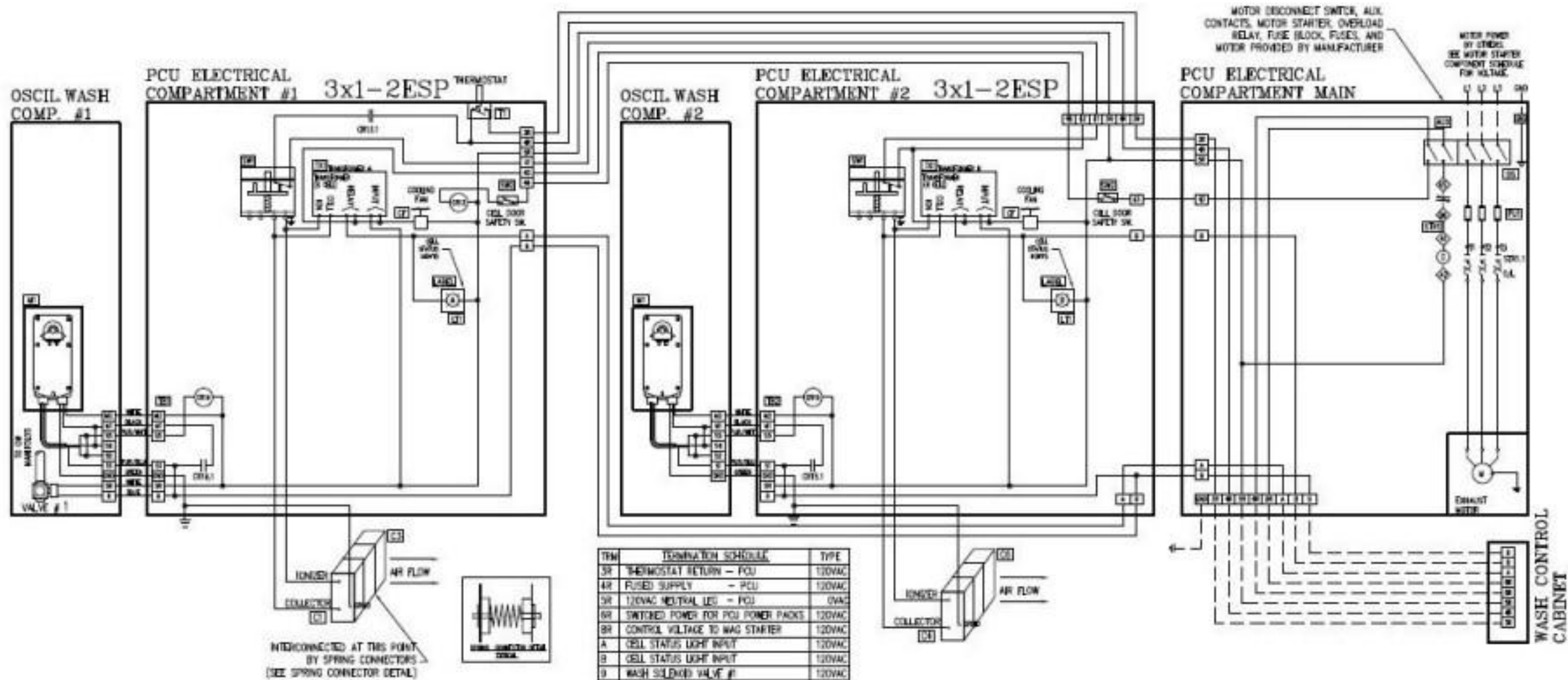


TRM	TERMINATION SCHEDULE	TYPE
3R	THERMOSTAT RETURN - PCU	120VAC
4R	FUSED SUPPLY - PCU	120VAC
5R	120VAC NEUTRAL LIG - PCU	0VAC
6R	SWITCHED POWER FOR PCU POWER PACKS	120VAC
6R	CONTROL VOLTAGE TO MAG STARTER	120VAC
A	CELL STATUS LIGHT INPUT	120VAC
B	CELL STATUS LIGHT INPUT	120VAC
C	CELL STATUS LIGHT INPUT	120VAC
D	CELL STATUS LIGHT INPUT	120VAC
E	CELL STATUS LIGHT INPUT	120VAC
F	CELL STATUS LIGHT INPUT	120VAC
G	CELL STATUS LIGHT INPUT	120VAC
H	CELL STATUS LIGHT INPUT	120VAC
9	WASH SOLENOID VALVE #1	120VAC
10	WASH SOLENOID VALVE #2	120VAC

--- FIELD WIRING BY OTHERS
— WIRING BY MANUFACTURER



WASH CONTROL
CABINET



OSCIL. WASH
COMP. #1

PCU ELECTRICAL
COMPARTMENT #1 2x2-2ESP

THERMOSTAT

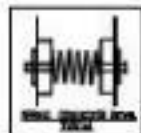
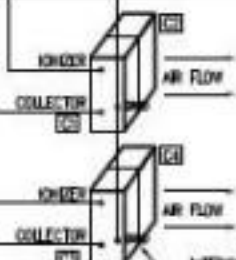
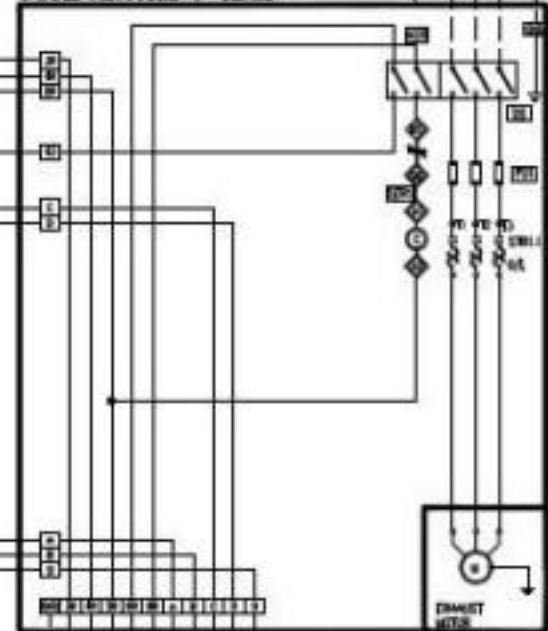
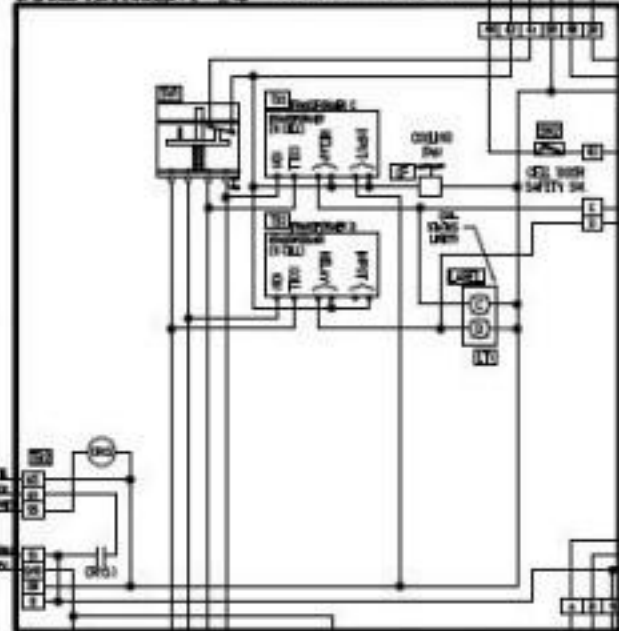
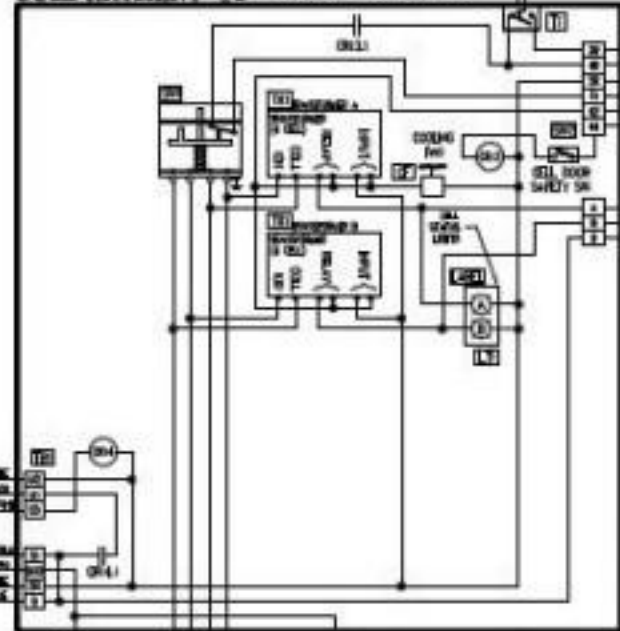
OSCIL. WASH
COMP. #2

PCU ELECTRICAL
COMPARTMENT #2 2x2-2ESP

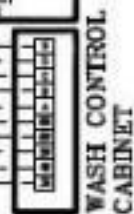
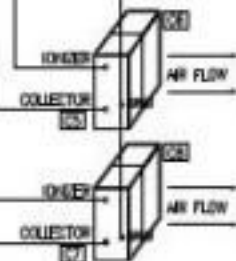
PCU ELECTRICAL
COMPARTMENT MAIN

MOTOR DISCONNECT SWITCH, AUX.
CONTACTS, MOTOR STARTER, OVERLOAD
RELAY, FUSE BLOCK, FUSES, AND
WATER PROVIDED BY MANUFACTURER

WATER POWER
BY OTHERS
SEE WATER SUPPLY
COMPONENT SCHEDULE
FOR ULTRAZ



WIRING	TERMINATION SCHEDULE	TYPE
3W	THERMOSTAT RETURN - PCU	120VAC
4W	PHASE SUPPLY - PCU	120VAC
5W	120VAC NEUTRAL LEG - PCU	0VAC
6W	SWITCHED POWER FOR PCU POWER PACKS	120VAC
6R	CONTROL VOLTAGE TO MAG STARTER	120VAC
A	CELL STATUS LIGHT INPUT	120VAC
B	CELL STATUS LIGHT INPUT	120VAC
C	CELL STATUS LIGHT INPUT	120VAC
D	CELL STATUS LIGHT INPUT	120VAC
9	WASH SOLENOID VALVE #	120VAC



--- FIELD WIRING BY OTHERS
— WIRING BY MANUFACTURER

OSCIL. WASH
COMP. #1

PCU ELECTRICAL
COMPARTMENT #1 2x2-2ESP

THERMOSTAT

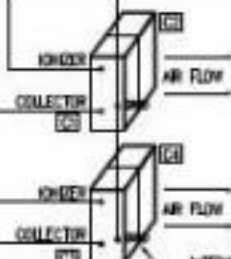
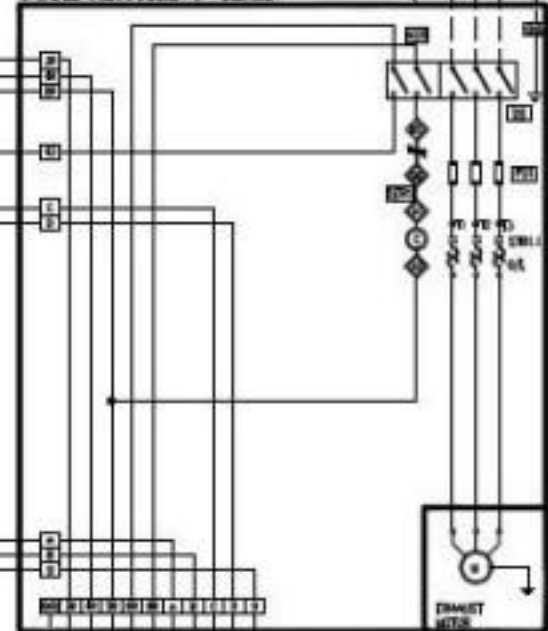
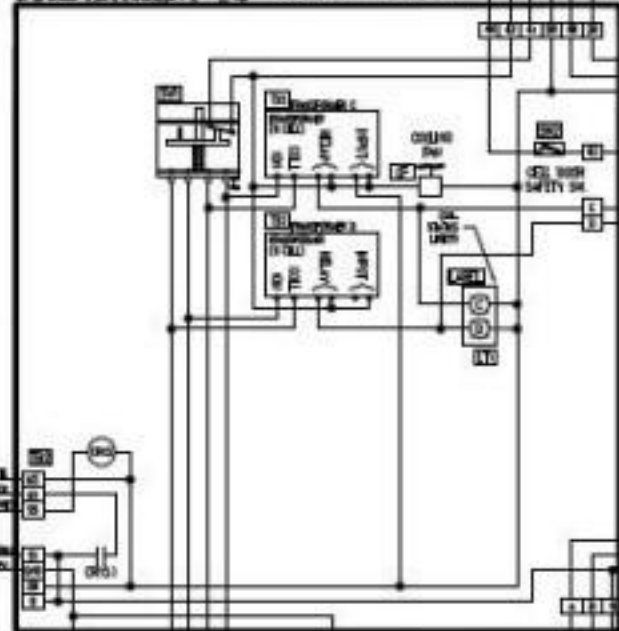
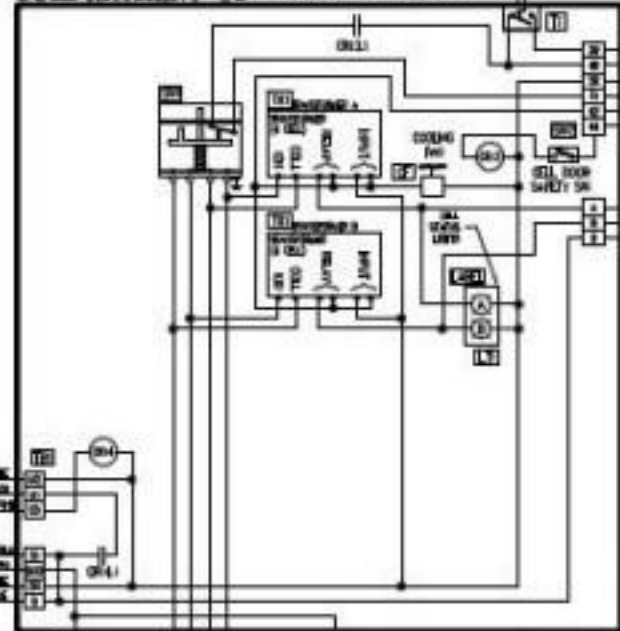
OSCIL. WASH
COMP. #2

PCU ELECTRICAL
COMPARTMENT #2 2x2-2ESP

PCU ELECTRICAL
COMPARTMENT MAIN

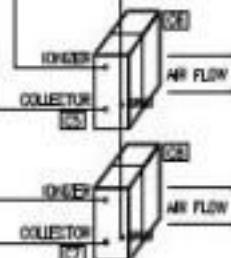
MOTOR DISCONNECT SWITCH, AUX.
CONTACTS, MOTOR STARTER, OVERLOAD
RELAY, FUSE BLOCK, FUSES, AND
WATER PROVIDED BY MANUFACTURER

WATER POWER
BY OTHERS
SEE WATER SUPPLY
COMPONENT SCHEDULE
FOR ULTRAZ



INTERCONNECTED AT THIS POINT
BY SPRING CONNECTORS
(SEE SPRING CONNECTOR DETAIL)

WIRING	TERMINATION SCHEDULE	TYPE
3W	THERMOSTAT RETURN - PCU	120VAC
4W	PHASE SUPPLY - PCU	120VAC
5W	120VAC NEUTRAL LEG - PCU	0VAC
6W	SWITCHED POWER FOR PCU POWER PACKS	120VAC
6R	CONTROL VOLTAGE TO MAG STARTER	120VAC
A	CELL STATUS LIGHT INPUT	120VAC
B	CELL STATUS LIGHT INPUT	120VAC
C	CELL STATUS LIGHT INPUT	120VAC
D	CELL STATUS LIGHT INPUT	120VAC
9	WASH SOLENOID VALVE #	120VAC



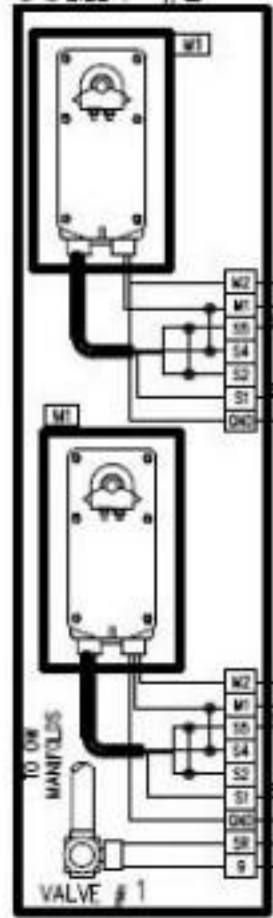
WASH CONTROL
CABINET

--- FIELD WIRING BY OTHERS
— WIRING BY MANUFACTURER

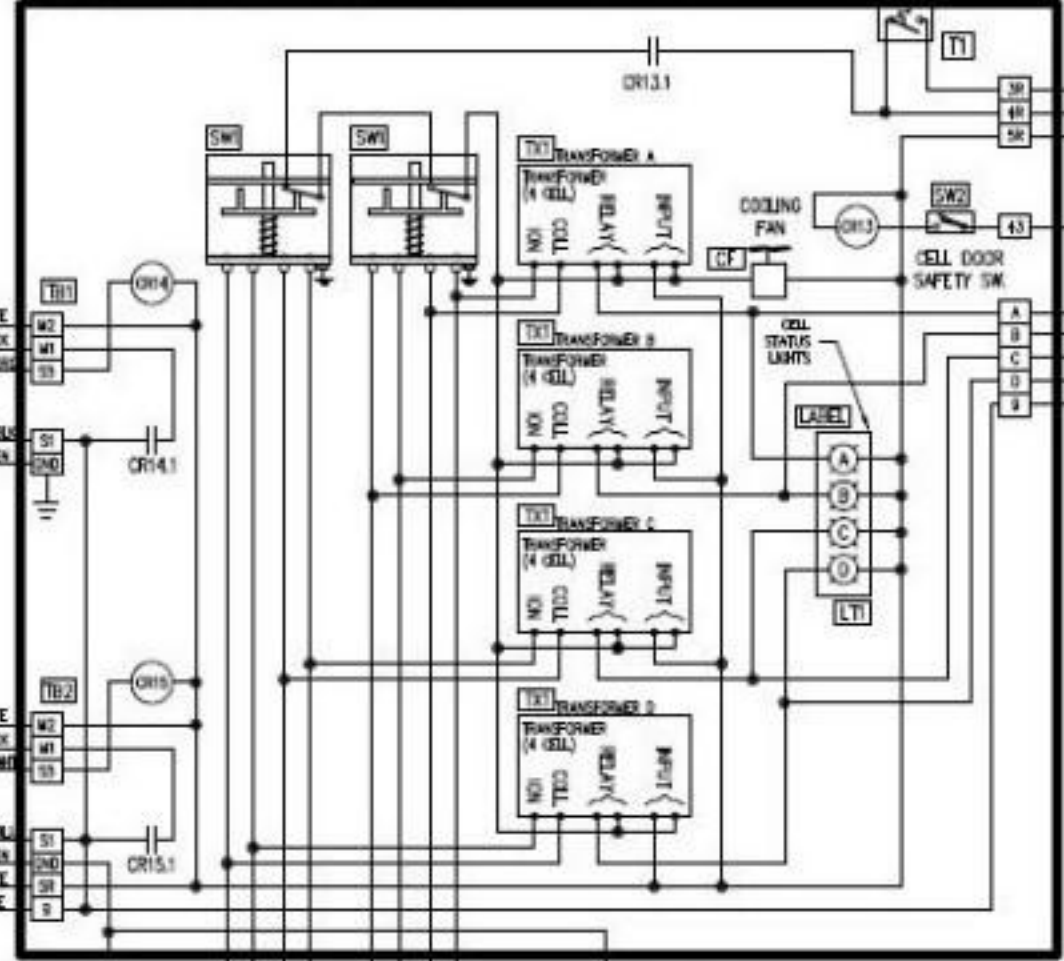
MOTOR DISCONNECT SWITCH, AUX. CONTACTS, MOTOR STARTER, OVERLOAD RELAY, FUSE BLOCK, FUSES, AND MOTOR PROVIDED BY MANUFACTURER

MOTOR POWER BY OTHERS. SEE MOTOR STARTER COMPONENT SCHEDULE FOR VOLTAGE.

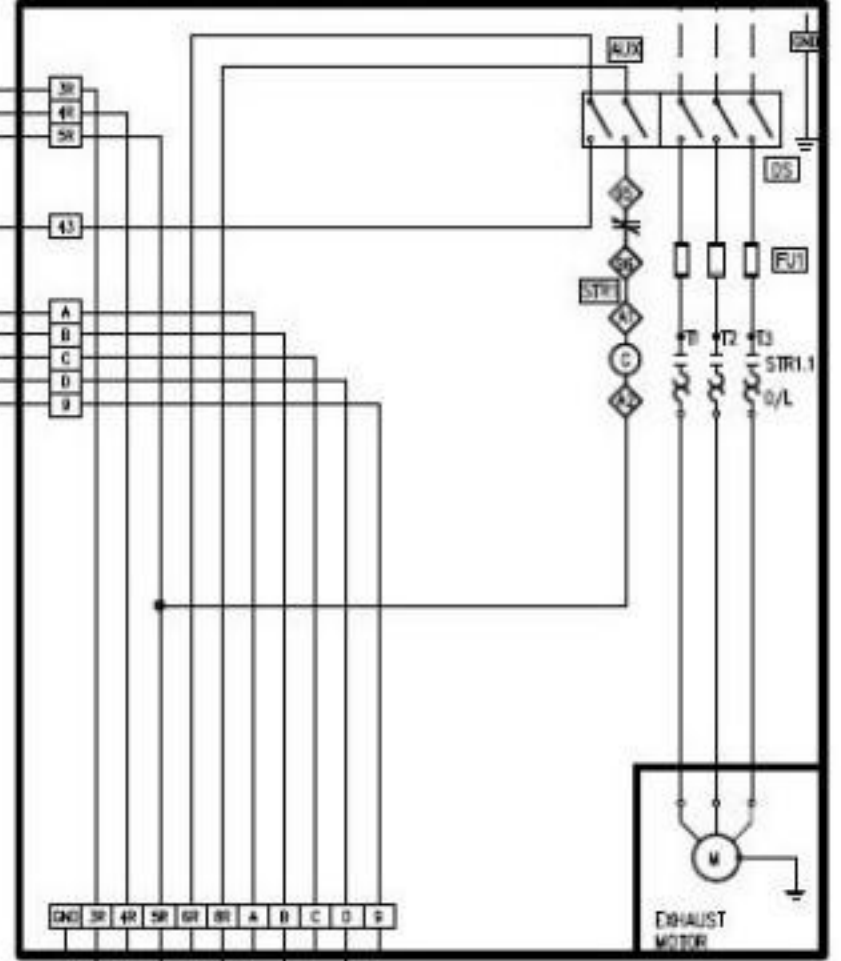
OSCIL. WASH COMP. #1



PCU ELECTRICAL COMPARTMENT #1 4x4-1ESP

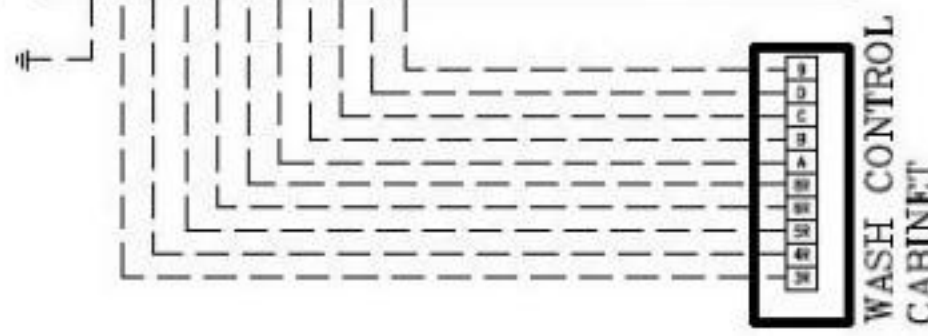
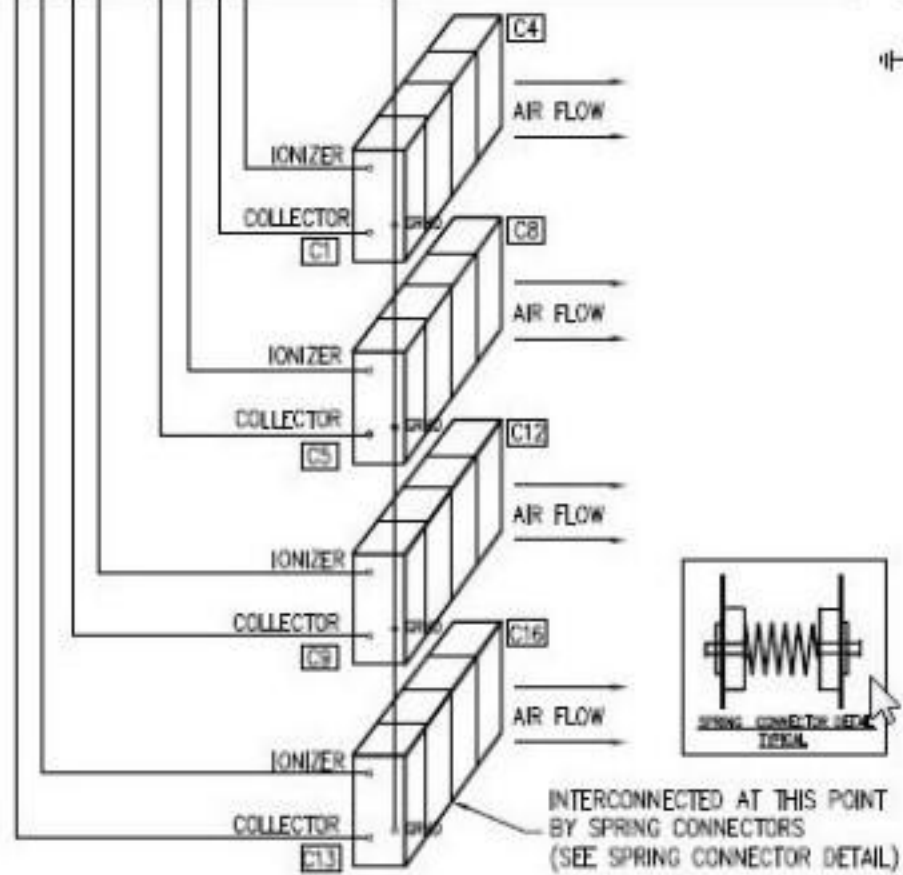


PCU ELECTRICAL COMPARTMENT MAIN



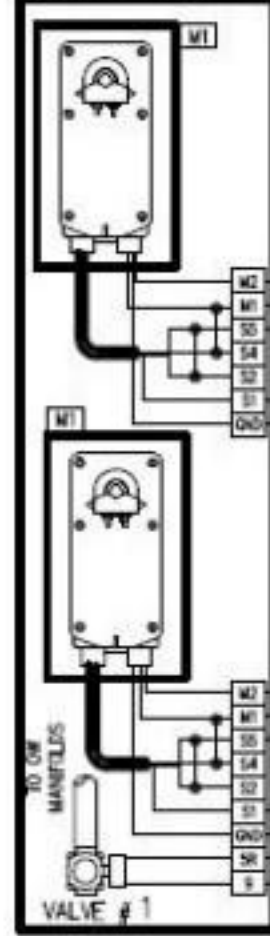
TRM	TERMINATION SCHEDULE	TYPE
3R	THERMOSTAT RETURN - PCU	120VAC
4R	FUSED SUPPLY - PCU	120VAC
5R	120VAC NEUTRAL LEG - PCU	0VAC
6R	SWITCHED POWER FOR PCU POWER PACKS	120VAC
8R	CONTROL VOLTAGE TO MAG STARTER	120VAC
A	CELL STATUS LIGHT INPUT	120VAC
B	CELL STATUS LIGHT INPUT	120VAC
C	CELL STATUS LIGHT INPUT	120VAC
D	CELL STATUS LIGHT INPUT	120VAC
9	WASH SOLENOID VALVE #1	120VAC

--- FIELD WIRING BY OTHERS
 — WIRING BY MANUFACTURER

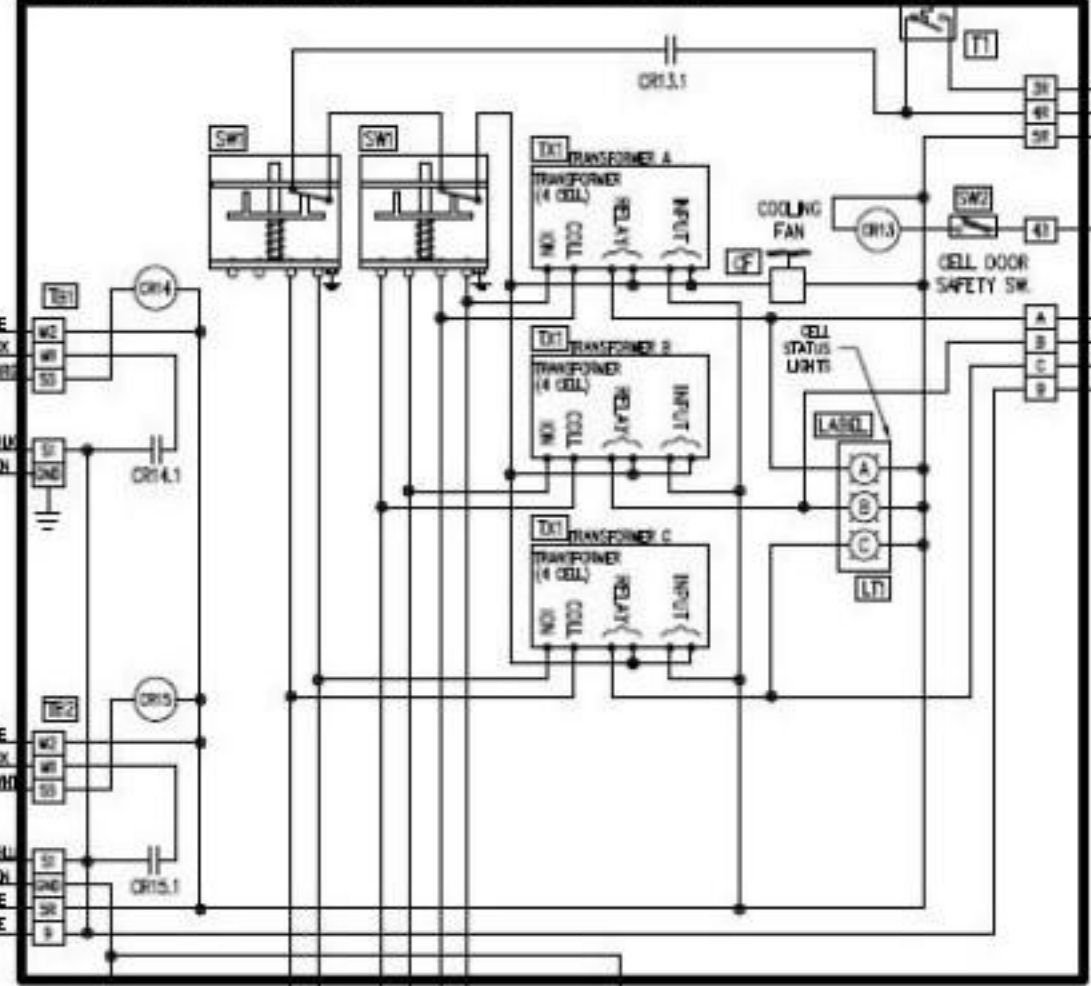


WASH CONTROL CABINET

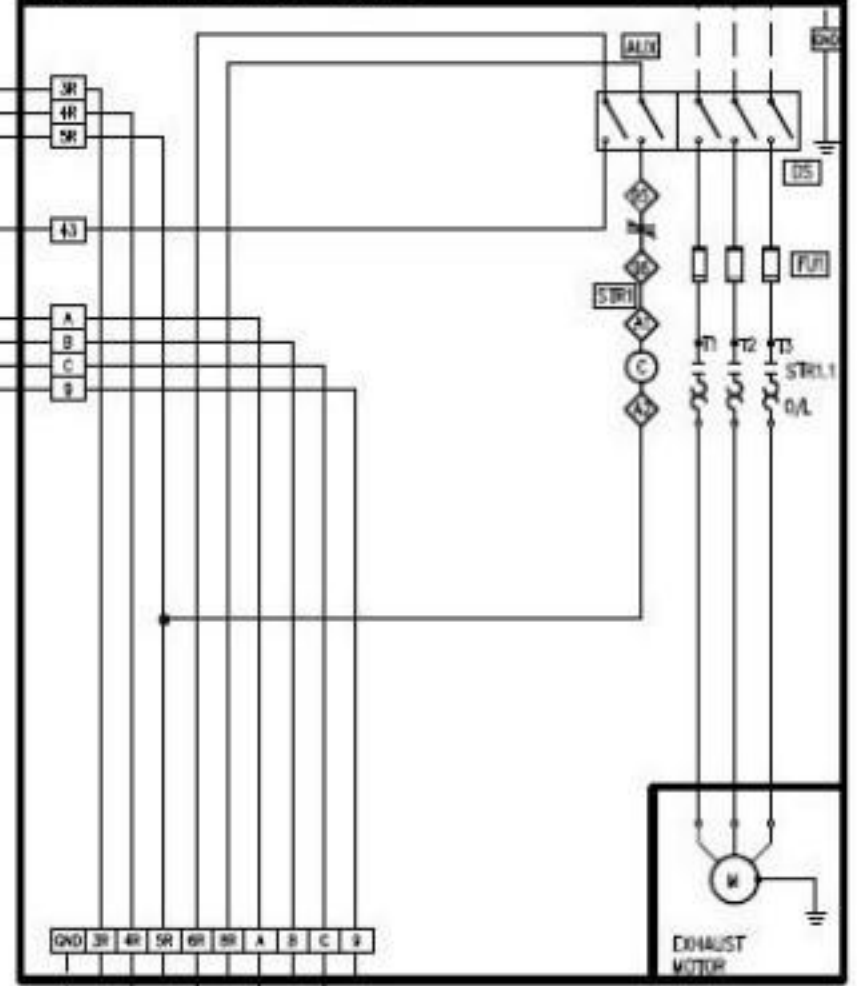
OSCIL. WASH COMP. #1



PCU ELECTRICAL COMPARTMENT #1 3x3-1ESP



PCU ELECTRICAL COMPARTMENT MAIN

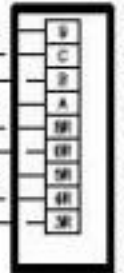
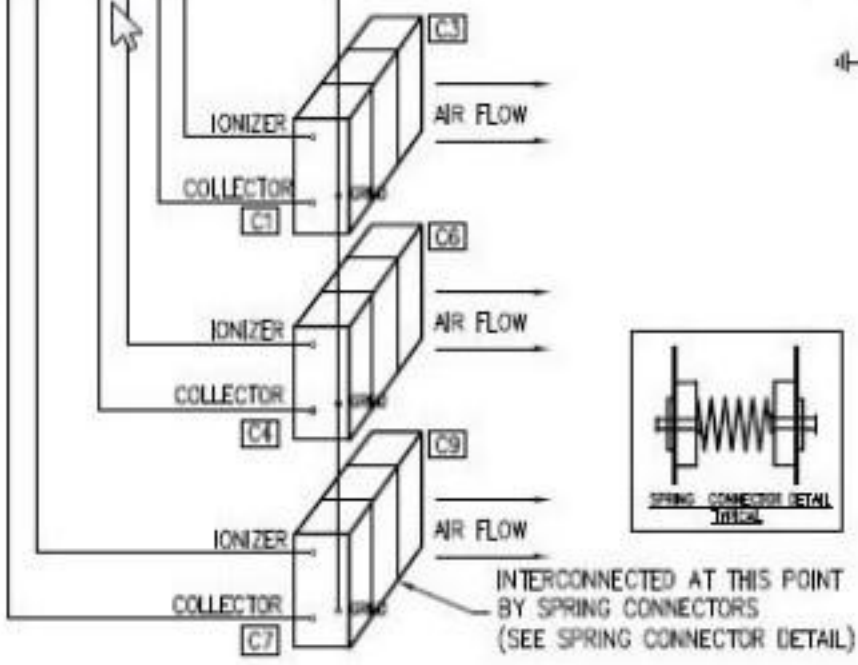


MOTOR DISCONNECT SWITCH, AUX. CONTACTS, MOTOR STARTER, OVERLOAD RELAY, FUSE BLOCK, FUSES, AND MOTOR PROVIDED BY MANUFACTURER

MOTOR POWER BY OTHERS. SEE MOTOR STARTER COMPONENT SCHEDULE FOR VOLTAGE

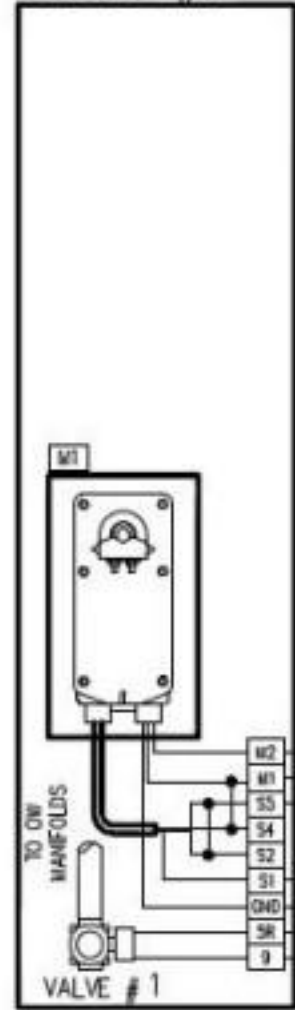
TRM	TERMINATION SCHEDULE	TYPE
3R	THERMOSTAT RETURN - PCU	120VAC
4R	FUSED SUPPLY - PCU	120VAC
5R	120VAC NEUTRAL LEG - PCU	0VAC
6R	SWITCHED POWER FOR PCU POWER PACKS	120VAC
8R	CONTROL VOLTAGE TO MAG STARTER	120VAC
A	CELL STATUS LIGHT INPUT	120VAC
B	CELL STATUS LIGHT INPUT	120VAC
C	CELL STATUS LIGHT INPUT	120VAC
9	WASH SOLENOID VALVE #1	120VAC

--- FIELD WIRING BY OTHERS
 — WIRING BY MANUFACTURER

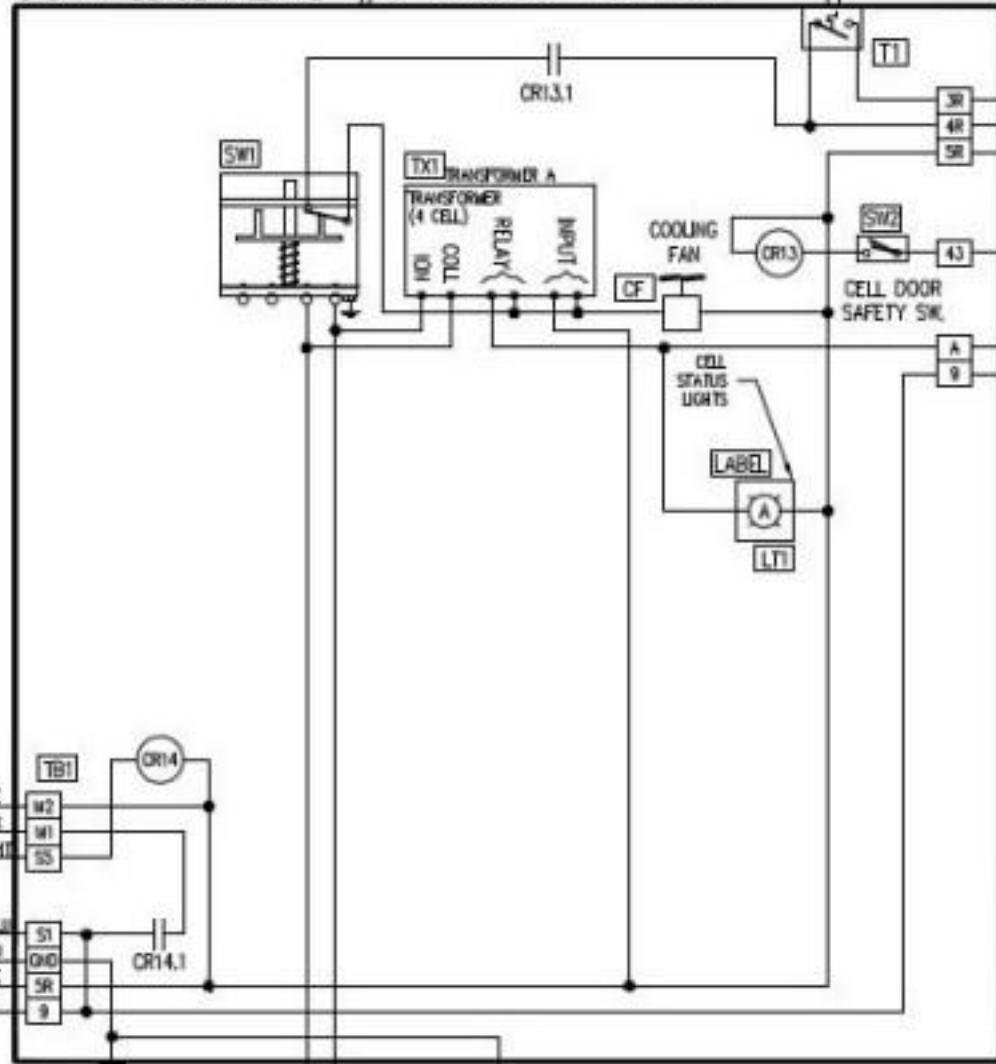


WASH CONTROL CABINET

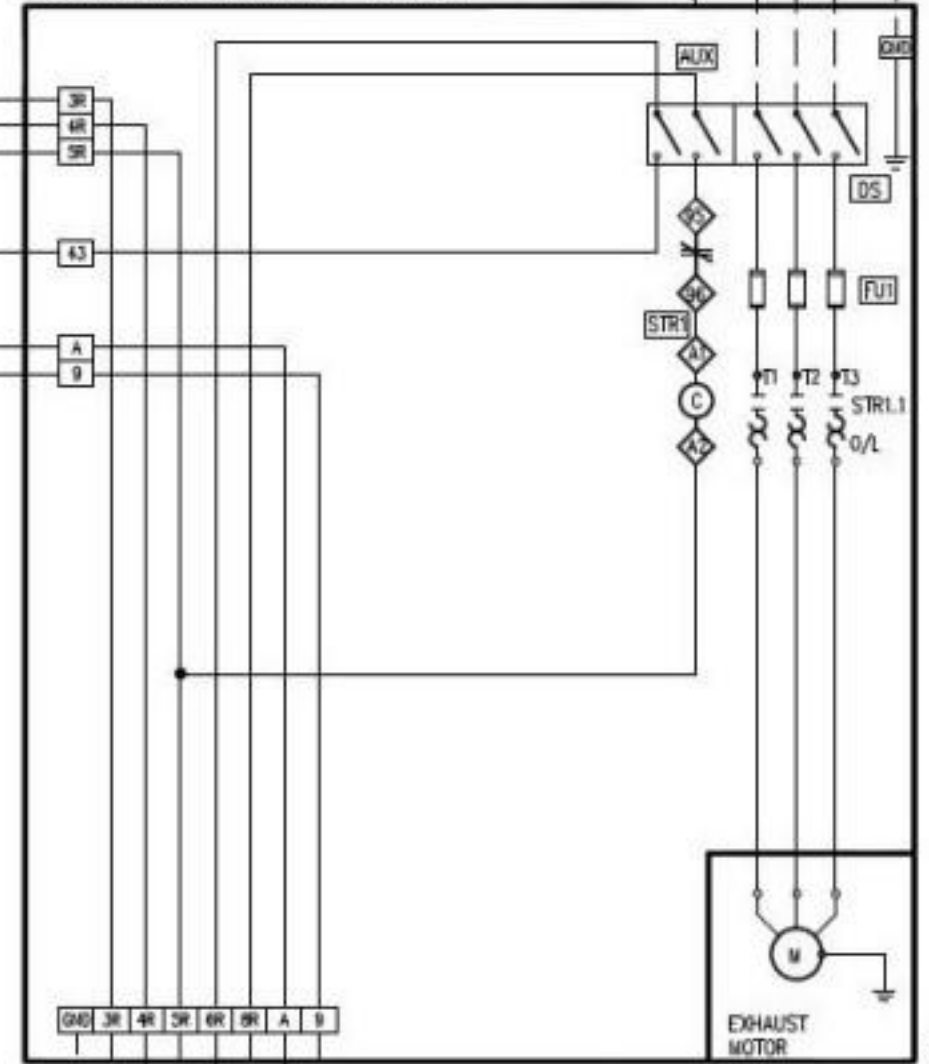
OSCIL. WASH
COMP. #1



PCU ELECTRICAL
COMPARTMENT #1 3x1-1ESP



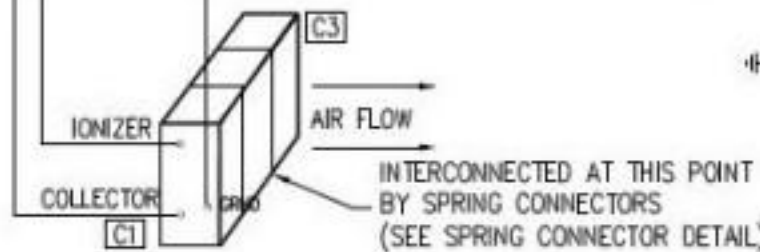
PCU ELECTRICAL
COMPARTMENT MAIN



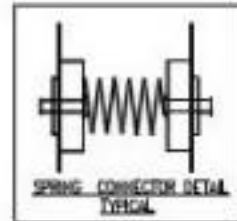
MOTOR DISCONNECT SWITCH, AUX.
CONTACTS, MOTOR STARTER, OVERLOAD
RELAY, FUSE BLOCK, FUSES, AND
MOTOR PROVIDED BY MANUFACTURER

MOTOR POWER
BY OTHERS.
SEE MOTOR STARTER
COMPONENT SCHEDULE
FOR VOLTAGE.

TRM	TERMINATION SCHEDULE	TYPE
3R	THERMOSTAT RETURN - PCU	120VAC
4R	FUSED SUPPLY - PCU	120VAC
5R	120VAC NEUTRAL LEG - PCU	0VAC
6R	SWITCHED POWER FOR PCU POWER PACKS	120VAC
8R	CONTROL VOLTAGE TO MAG STARTER	120VAC
A	CELL STATUS LIGHT INPUT	120VAC
9	WASH SOLENOID VALVE #1	120VAC



INTERCONNECTED AT THIS POINT
BY SPRING CONNECTORS
(SEE SPRING CONNECTOR DETAIL)



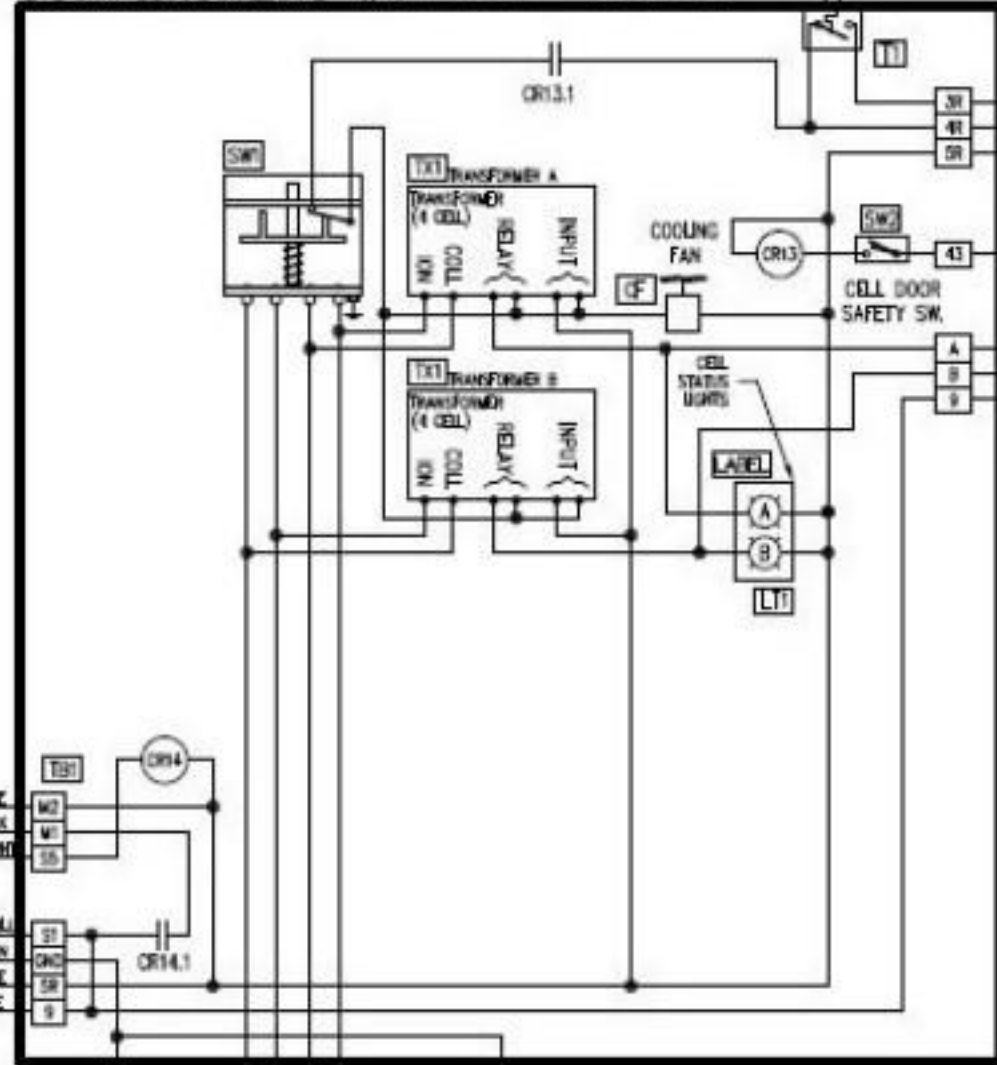
--- FIELD WIRING BY OTHERS
— WIRING BY MANUFACTURER

WASH CONTROL
CABINET

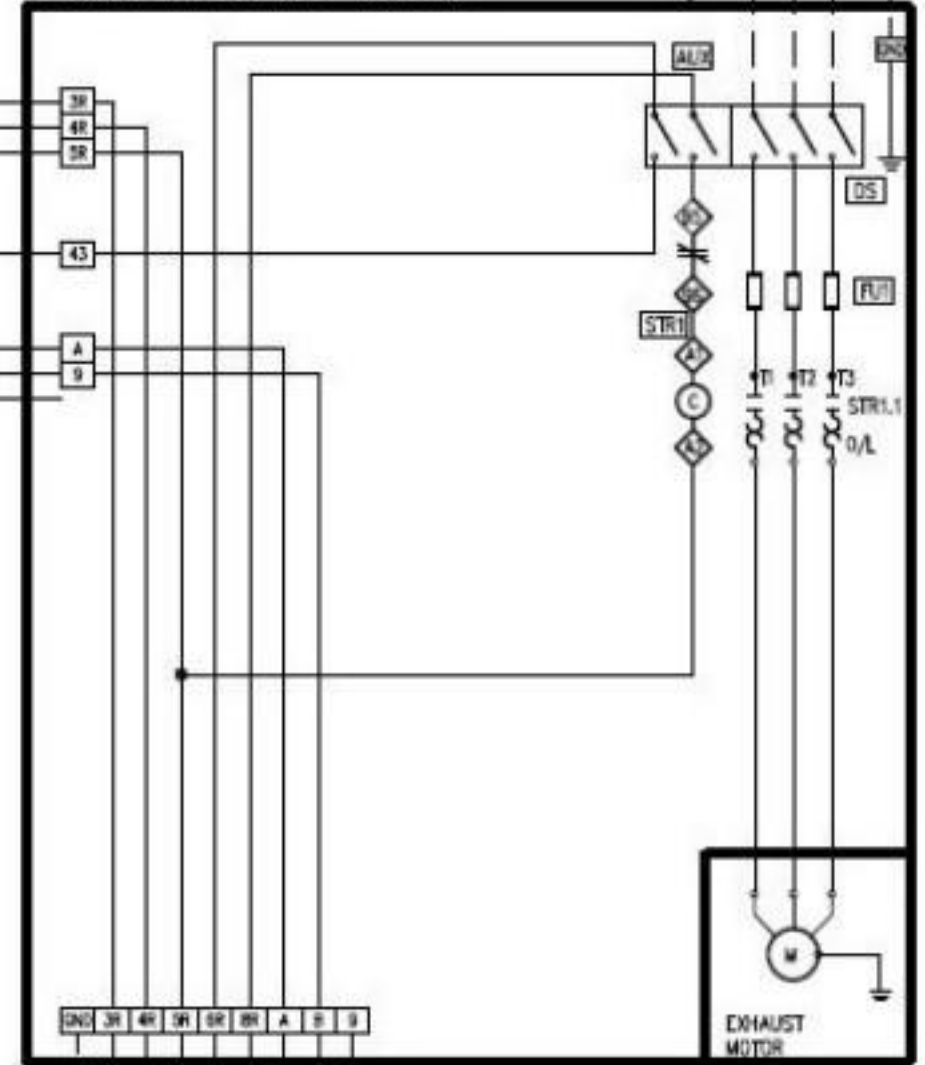
OSCIL WASH
COMP. #1



PCU ELECTRICAL
COMPARTMENT #1 2x2-1ESP



PCU ELECTRICAL
COMPARTMENT MAIN

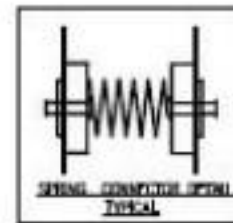
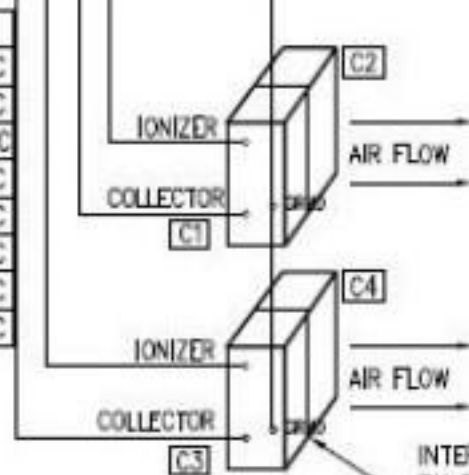


MOTOR DISCONNECT SWITCH, AUX.
CONTACTS, MOTOR STARTER, OVERLOAD
RELAY, FUSE BLOCK, FUSES, AND
MOTOR PROVIDED BY MANUFACTURER

MOTOR POWER
BY OTHERS.
SEE MOTOR STARTER
COMPONENT SCHEDULE
FOR VOLTAGE.

TRM	TERMINATION SCHEDULE	TYPE
3R	THERMOSTAT RETURN - PCU	120VAC
4R	FUSED SUPPLY - PCU	120VAC
5R	120VAC NEUTRAL LEG - PCU	0VAC
6R	SWITCHED POWER FOR PCU POWER PACKS	120VAC
6R	CONTROL VOLTAGE TO MAG STARTER	120VAC
A	CELL STATUS LIGHT INPUT	120VAC
B	CELL STATUS LIGHT INPUT	120VAC
9	WASH SOLENOID VALVE #1	120VAC

--- FIELD WIRING BY OTHERS
— WIRING BY MANUFACTURER



INTERCONNECTED AT THIS POINT
BY SPRING CONNECTORS
(SEE SPRING CONNECTOR DETAIL)

WASH CONTROL
CABINET