



36E SERIES
HEAVY-DUTY RANGES

PARTS LIST

Toll Free Phone, (US & Canada): (800) 427-6668

Toll Free Fax, (US & Canada): (800) 361-7745

<http://www.garland-group.com>

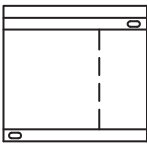
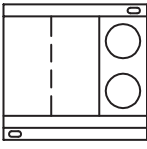
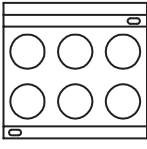
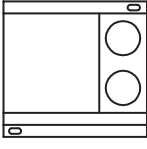
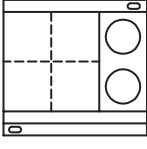
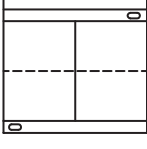
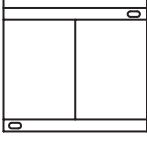
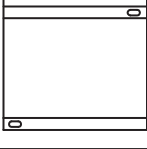
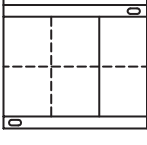


36E SERIES

HEAVY-DUTY RANGES

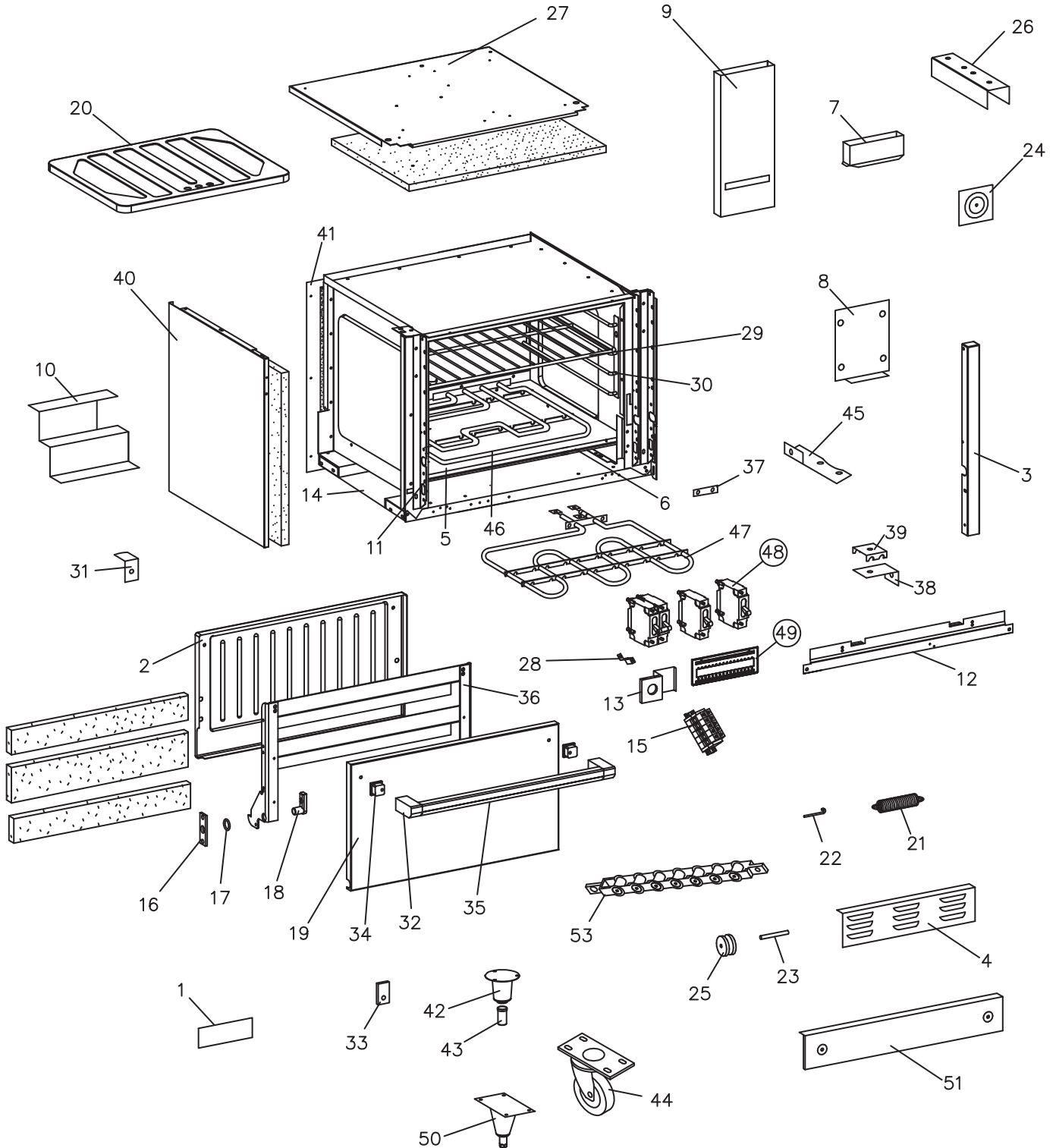
Contents:

Heavy Duty Range/Broiler Oven Section.....	Page 6
All Purpose Section 36/ER/ES/ET/32 Models: 36ER32 & 36ES32 & 36ET32.....	Page 10
All Purpose Section W/ 2 Open Burner Models: 36ER32-3 & 36ES32-3 & 36ET32-3.....	Page 14
Six Open Elements Section Models: 36ER33 & 36ES33 & 36ET33.....	Page 16
24" Frypot Thermo Control W/2 Open Elements Models: 36ER33-88 & 36ES33-88 & 36ET33-88.....	Page 18
Boil Sections W/2 Open Elements Models: 36ER33-99 & 36ES33-99 & 36ET33-99.....	Page 20
(4) Boil Section Thermo Control Models: 36ER35 & 36ES35 & 36ET35.....	Page 22
All Purpose Plates Thermo Control Models: 36ER36 & 36ES36 & 36ET36.....	Page 24
36" Fry Top Thermo Control Models: 36ER38 & 36ES38 & 36ET38.....	Page 26
6 Boil Sections Switch Controlled Models: 36ER39 & 36ES39 & 36ET39.....	Page 28
Digital Photos.....	Page 30
Revision History.....	Page 31
Suffixes: All Models With Oven (R), Modular Top (T), Storage Compartment (S)	

	(3) ALL PURPOSE SECTIONS THERMO CONTROLS 290°/650°F (143°/343°C)	36ER32	Page 10
		36ES32	
		36ET32	
	(2) ALL PURPOSE SECTIONS THERMO CONTROL 290°/650°F (143°/343°C) (2) OPEN ELEMENTS	36ER32-3	Page 14
		36ES32-3	
		36ET32-3	
	(6) OPEN ELEMENTS SWITCH CONTROL	36ER33	Page 16
		36ES33	
		36ET33	
	(1) 24" FRYTOP THERMO CONTROL (2) OPEN ELEMENTS	36ER33-88	Page 18
		36ES33-88	
		36ET33-88	
	(4) BOIL SECTIONS SWITCH CONTROL* (2) OPEN ELEMENTS SWITCH CONTROL*	36ER33-99	Page 20
		36ES33-99	
		36ET33-99	
	(4) BOIL SECTIONS THERMO CONTROL	36ER35	Page 22
		36ES35	
		36ET35	
	(2) ALL PURPOSE PLATES THERMO CONTROL 290/650°F (143/343°C)	36ER36	Page 24
		36ES36	
		36ET36	
	(1) 36" (914) FRY TOP THERMO CONTROL 100/450°F (38/232°C)	36ER38	Page 26
		36ES38	
		36ET38	
	(6) BOIL SECTION SWITCH CONTROLLED	36ER39	Page 28
		36ES39	
		36ET39	

NOTE: SC* = SWITCH CONTROL

NOTES



36E Oven Section

GARLAND PARTS IDENTIFICATION
36E Heavy Duty Range / Broiler Oven Section

ITEM	PART #	DESCRIPTION	QUANTITY	FROM DATE	UP TO DATE
1	1902918	Nameplate - GARLAND 7 3/4"	1		1-Oct-01
	3077100	Nameplate - GARLAND 7 5/8"		1-Oct-01	
2	1439796	Oven Door Liner	1	6-Sep-95	
3	1204000	Front Column RT	1		
	1204001	Front Column LT	1		
4	1203811	Cover Terminal Block	1		
5	1203700	Oven Bottom Liner	1		
6	1203600	Bottom Insulation Pan	1		
7	1203599	Flue Assembly	1		
8	1203402	Vent Riser Baffle	1		
9	1203400	Vent Riser Back	1		
	1203401	Vent Riser Front	1		
10	1203300	Rear Air Channel RT	1		
	1203301	Rear Air Channel LT	1		
11	1203099	Front Frame Assembly	1		
12	1203002	Lower Frame	1		
13	1202600	Terminal Block Mtg. Brkt.	1		
14	1202599	Main Bottom Assembly	1		
15^	1193900	Terminal Block	1		
16	1083001	Trunion Support	2		
17	1082700	Harness Ring 7GA.	2		
18	1082500	Oven Door Trunion	2		
19	1080714	Oven Door Panel - SS	1		
	1080723	Full Size Door Panel (Round)	1		
20	1005530	Oven Bottom	1		
21	G1007-1	Oven Door Spring	1		
22	G2782-2-8	Spring Hook	1		
23	G2511-1-8	Pulley Shaft	1		
24	G2373-1-8	Knockout Plate	2		
25	G1773-1	Pulley #C1312-5	1		
26	G1052-2-7	Burner Box Bottom Stiffener	1		
27	1198300	Burner Box Bottom	1	20-Feb-03	
	1198399	Burner Box Bottom	1		20-Feb-03
28	G01499-1	Ground Terminal 105A Large	1		
29	2424800	Master Oven Rack (25.875 x 26.75)	1		
30	2424900	Master Rack Guide LT & RT	2		
31	2556200	Oven Bottom Hold Down Bracket	1		
32	3007300	Handle End LH & RH	2	8-May-00	
	9003701	Handle L/H - OBS	1		8-May-00
	9003700	Handle R/H - OBS	1		8-May-00
33	1794201	Oven Door Handle Spacer Gray OBS	2	8-May-00	
34	3010000	Handle Spacer (Insert)	2	8-May-00	
35	3017000	Door Handle	1	8-May-00	
36	G03984-06-8	Oven Door Insert Assembly	1	27-Feb-01	
37	4515635	Oven Element Bus Bar	2		
38	1521300	Element Bracket	4		
39	1521400	Element Clamp	4		
40	1204200	Body Side 36 Series RT/LT	2		
	1204202	Body Side 36 Series RT/LT - S/S			

* NOT ILLUSTRATED

^ DIGITAL PHOTO AT END

RECOMMENDED STOCK PARTS

GARLAND PARTS IDENTIFICATION
36E Heavy Duty Range / Broiler Oven Section

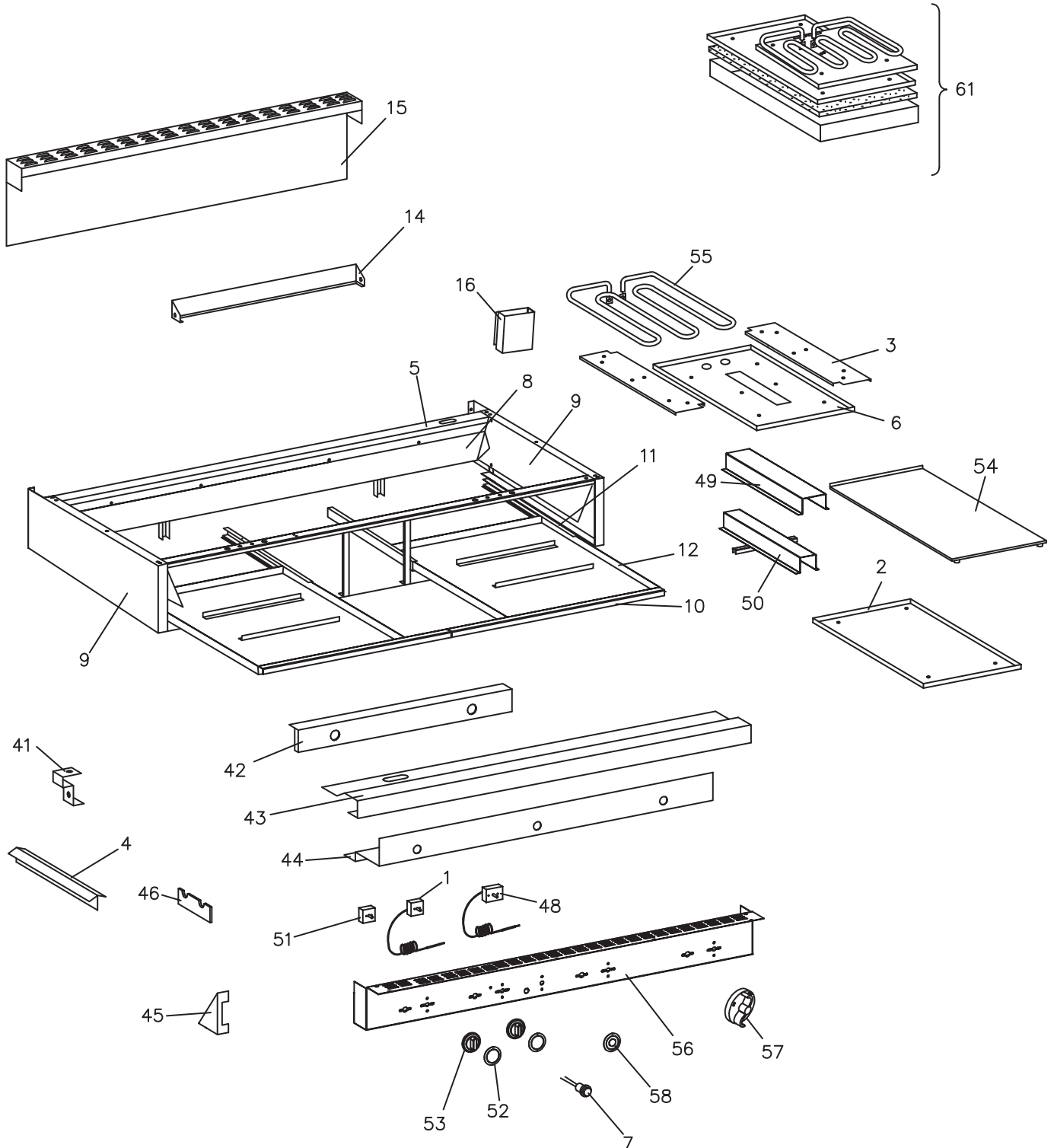
ITEM	PART #	DESCRIPTION	QUANTITY	FROM DATE	UP TO DATE
41	1204702	Main Back 36"	1		
	1204703	Main Back 36" - S/S			
42	1027600	Leg Retainer 6" (Std.)	4		
43	1150502	Bullet Legs	4		
44	1027800	Swivel Caster Less Brake	2		10-Dec-04
	4519432	Swivel Caster	2	10-Dec-04	
	1027801	Swivel Caster C/W Brake	2		10-Dec-04
	4519433	Swivel Caster With Brake	2	10-Dec-04	
45	1748701	Restraint Attach Bracket	1		
46	G01106-1	Element Lower 208V,3.5KW	1		
	G01106-2	Element Lower 240V,3.5KW	1		
	G1685-03	Lower Element Assembly Oven (460)	1		
47	G01107-1	Element Upper 208V,3KW	1		
	G01107-2	Element Upper 240V,3KW	1		
	G1686-03	Upper Element Assembly Oven (460)	1		
48	2687002	Circuit Breaker 1 Pole 40A	8		
	2688802	Circuit Breaker 2 Pole 40A	4	7-May-01	
49	1203810	Circuit Breaker Panel	1		
50	4519723	6" S/S Adjustable Leg	4		
51	1204100	Lower Front Panel	1		
53	G03025-03-8	Chain Assembly	1		
*	G01648-4	Disconnect Label		23-Jun-03	
*	079716-1	Label - Caution Hot	1		
*	1472209	Insulation 1 x 28 x 30	1		
*	1472301	Insulation 2" Door	1		
*	1472302	Insulation 2" Door	1		
*	1472303	Insulation 2" Door	1		

* NOT ILLUSTRATED

^ DIGITAL PHOTO AT END

RECOMMENDED STOCK PARTS

NOTES



36S Top Section # 01

GARLAND PARTS IDENTIFICATION

All Purpose Section 36/ER/ES/ET/32

ITEM	PART #	DESCRIPTION	MODEL		
			QUANTITY		
			36ER32	36ES32	36ET32
1	1010304	Thermostat	3	3	3
2	G01832-1-6	Element Baffle	3	3	3
3	G01831-1-6	Element Clamp	6	6	6
4	G01976-01-7	Grease Diverter Assembly	1		1
5	1198898	Back Top Assembly 36"	1	1	1
6	G01830-1-6	Element Cover	3	3	3
7	1160797	Pilot Light - Red 24V Up to November 19, 1999	1		
	G01296-1	Pilot Red 240V From November 19, 1999	1		
	G01296-2	Pilot Amber	3	3	3
8	1200002	Burner Box Back S/S - 36"			
9	1198500	Burner Box Side LT	1		
	1198502	Burner Box Side LT - S/S			
	1198503	Burner Box Side RT S/S			
	1198501	Burner Box Side RT	1		
	1198600	Burner Box Side Ext. LT/RT	2		
10	1685304	Drip Tray Handle 17 7/8	2	2	1
11	1199101	Grease Tray Slide LT	2	2	2
	1199100	Grease Tray Slide RT	2	2	2
12	1198797	Drip Tray Assembly	2		
14	1204900	Splash Guard 36"			
	1204901	Splash Guard 48"	2	1	1
15	1204801	Flue Riser Back 36"	1	1	1
16	1204699	Grease Chute Assembly	2	2	2
41	1204101	Lower Front Panel Bracket	2		
42	1204100	Lower Front Panel	1		
43	1198998	Front Top Assembly 36"	1	1	1
44	1199000	Switch Shield 36"	1	1	1
45	1203900	Panel Mtg Bracket LT	1		
	1203901	Panel Mtg Bracket RT	1		
46	1340400	Burner Box Bracket	4	4	4
48^	1010300	Oven Thermostat	1	1	1
49	G01849-1-6	Bulb Channel	3	2	3
50	G01851-01-6	Bulb Clamp Assembly	3	3	3
51	G02667-1	3 Heat Switch	2		
	G2088	Switch Three Heat Hi voltage	2		
52	G02725-13	Dial Insert (OFF/1/10) All Purpose	3	3	3
	G02725-17	Dial Insert (OFF/150F/550F)	1		
53	G02716-1	Dial - (Universal) Small Shaft	4	3	3
54	1197289	24" All Purpose (1) 1/2" Lip	1		
	1197299	12" All Purpose (1) 1/2" Lip	1	1	1
55	1197300	Element 208V 5000W	3	3	3
	1197301	Element 236V 5000W	3	3	3
	1197302	Element 460V 5000W	3	3	3
56	1200900	Switch Panel SS	1		
	1200901	Switch Panel		1	1
57^	G1035-1	Dial HI-MED-LOW	2		
58^	1010301	Bezel			

* NOT ILLUSTRATED

^ DIGITAL PHOTO AT END

RECOMMENDED STOCK PARTS

GARLAND PARTS IDENTIFICATION

All Purpose Section 36/ER/ES/ET/32

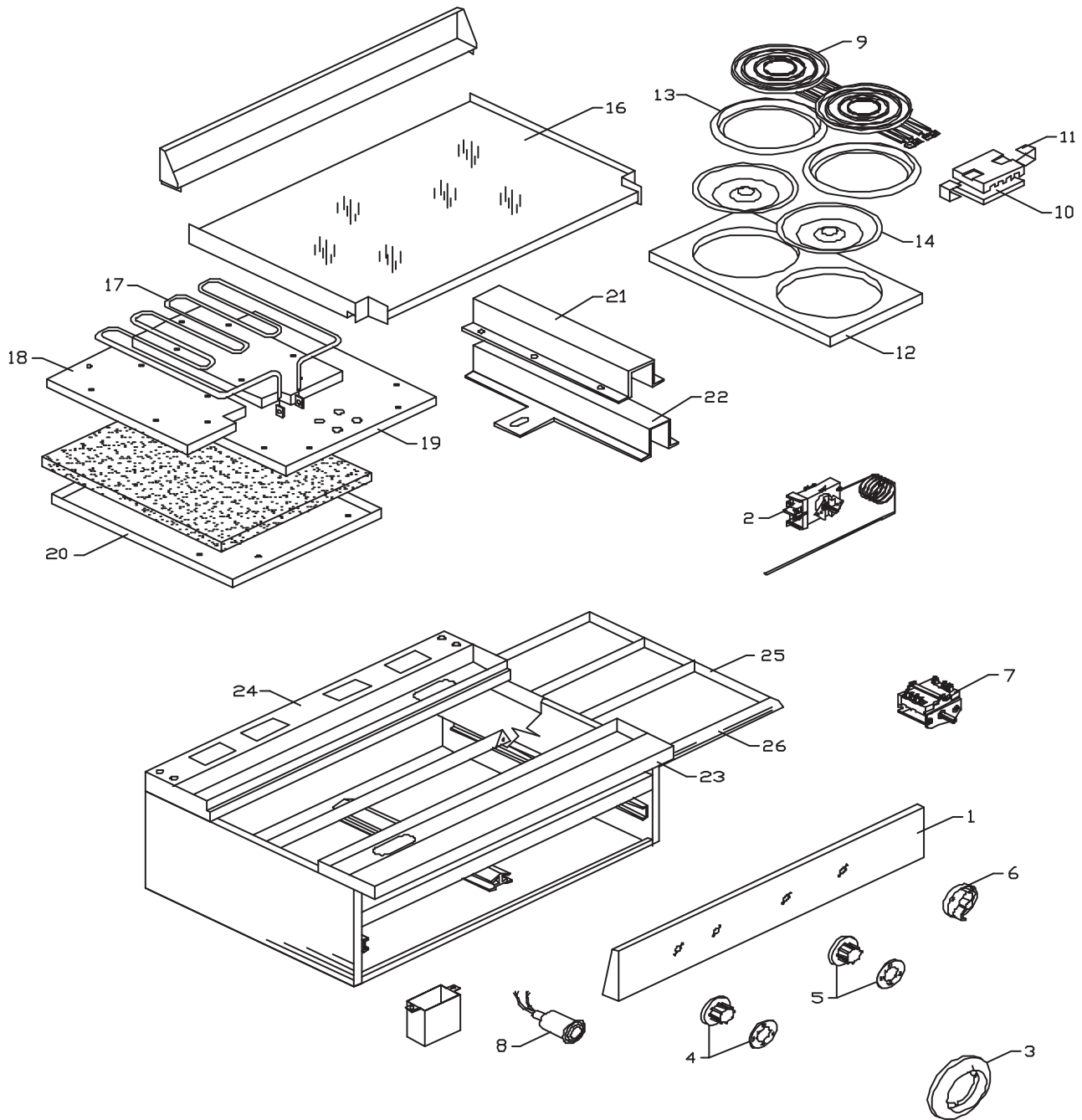
ITEM	PART #	DESCRIPTION	MODEL		
			QUANTITY		
			36ER32	36ES32	36ET32
59*	1203812	Circuit Breaker Patch 4 Hole	2		
60*	1295600	Insulation 22 X 11 X 2			
Kits Available					
61	CK181	24" A/P Plate Assembly 1 Lip 208V	1	1	1
	CK182	24" A/P Plate Assembly 1 Lip 240V	1	1	1
	CK183	12" A/P Plate Assembly 1 Lip 208V	1	1	1
	CK184	12" A/P Plate Assembly 1 Lip 240V	1	1	1
	1197197	12" A/P Plate Assembly 460V	1	1	1

* NOT ILLUSTRATED

^ DIGITAL PHOTO AT END

RECOMMENDED STOCK PARTS

NOTES



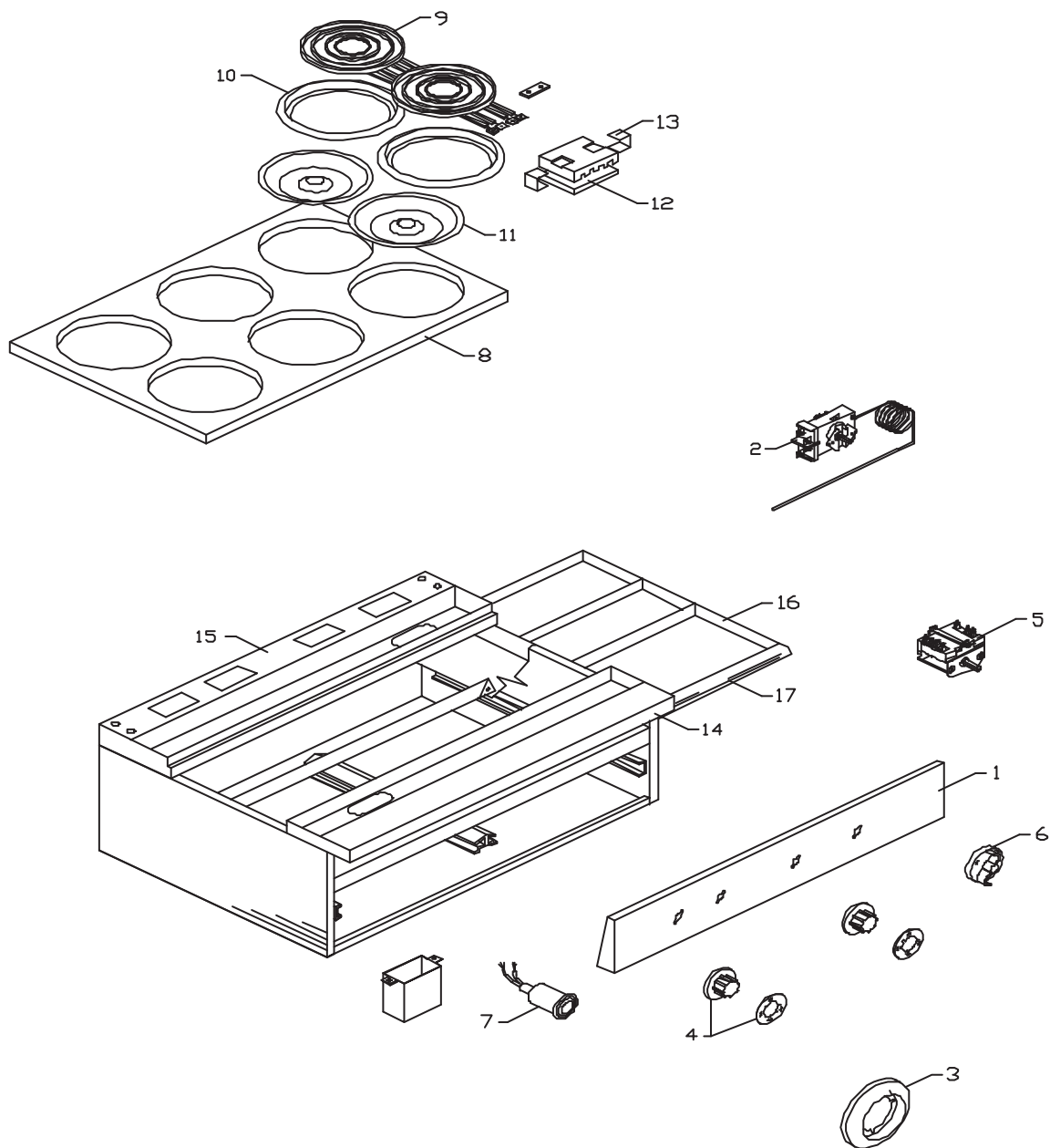
GARLAND PARTS IDENTIFICATION
All Purpose Section W/ 2 Open Burner

ITEM	PART #	DESCRIPTION	MODEL		
			QUANTITY		
			36ER32-3	36ES32-3	36ET32-3
1	1200902	Switch Panel	1		
	1200904	Switch Panel		1	1
2	1010304	Thermostat	2	2	2
	1010300	Thermostat	1		
3^	1010301	Bezel	2	2	2
4	G02716-1	Dial - (Universal) Small Shaft	2	2	2
	G02725-13	Dial Insert (OFF/1/10) All Purpose	2	2	2
5	G02716-1	Dial - (Universal) Small Shaft			
	G02725-17	Dial Insert (OFF/150F/550F) Oven F	1		
6	G1035-1	Dial HI-MED-LOW	4	2	2
7	G02667-1	3 Heat Switch	4	2	2
8	1160797	Pilot Light - Red 24V	1		
	G01296-1	Pilot Red 240V	1		
	G01296-2	Pilot Amber	2	2	2
9	CK102-208V	8" Surface Element Assembly			
	CK102-240V	8" Surface Element Assembly			
	2195600	8" Surface Element 208V	2	2	2
	2195601	8" Surface Element 240V	2	2	2
10	2195700	Split Terminal Block (Large)	2	2	2
11	2627700	Terminal Block Clip	4	4	4
12	G1030-01-9	12" Top Assembly (2 holes)	1	1	1
13	2602399	8 Ring Assembly	2	2	2
14^	2195301	Reflector Pans 8"	2	2	2
16	G01844-01-8	24" All Purpose Plate (2) 1/2" Lips	1	1	1
17	1197300	Element 208V 5000W	2	2	2
	1197301	Element 236V 5000W	2	2	2
18	G01831-1-6	Element Clamp	4	4	4
19	G01832-1-6	Element Baffle	2	2	2
20	G01830-1-6	Element Cover	2	2	2
21	G01849-1-6	Bulb Channel	2	2	2
22	G01851-01-6	Bulb Clamp Assembly	2	2	2
23	1198998	Front Top Assembly	1	1	1
24	1198898	Back Top Assembly 36"	1	1	1
25	1198797	Drip Tray Assembly	2	2	2
26	1685304	Drip Tray Handle 17-7/8	2	2	2
27*	CK120-208	10-20R Cast Conversion to Steel 208V	2	2	2
	CK120-240	10-20R Cast Conversion to Steel 240V	1	1	1

* NOT ILLUSTRATED

^ DIGITAL PHOTO AT END

RECOMMENDED STOCK PARTS



GARLAND PARTS IDENTIFICATION

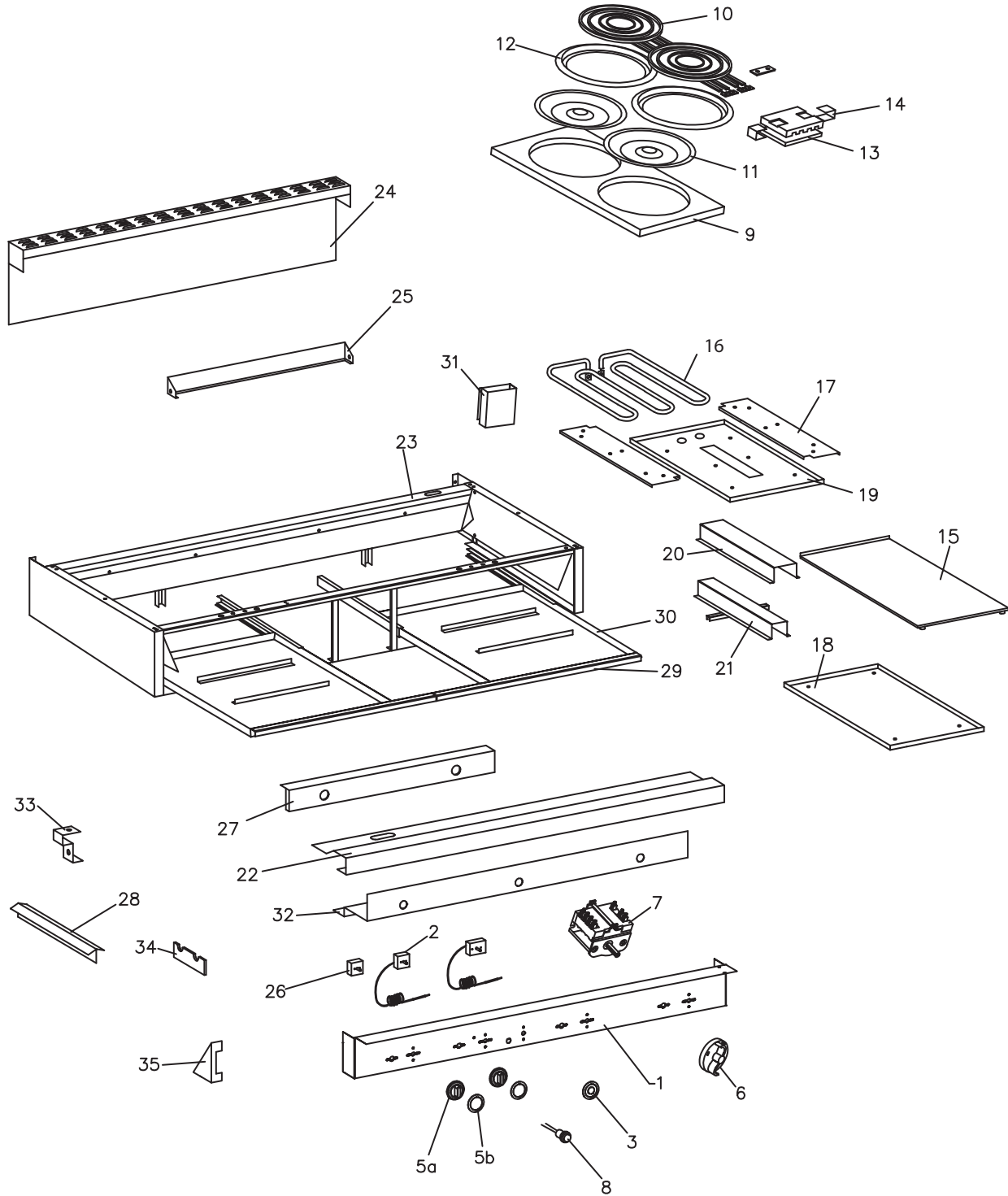
Six Open Elements Section

ITEM	PART #	DESCRIPTION	MODEL		
			QUANTITY		
			36ER33	36ES33	36ET33
1	1200906	Switch Panel (208-240V)	1		
	1200908	Switch Panel (208-240V)		1	1
2	1010300	Thermostat	1		
3 [^]	1010301	Bezel	1		
4	G02725-17	Dial Insert (OFF/150F/550F) Oven F	1		
	G02716-1	Dial - (Universal) Small Shaft	1		
5	G02667-1	3 Heat Switch			
6	G1035-1	Dial HI-MED-LOW	8	6	6
7	1160797	Pilot Light - Red 24V	1		
	G01296-1	Pilot Red 240V	1		
8	G1028-01-9	36" Top Assembly (6 holes)	1	1	1
9	CK102-208V	8" Surface Element Assembly			
	CK102-240V	8" Surface Element Assembly			
	2195600	8" Surface Element 208V	6	6	6
	2195601	8" Surface Element 240V	6	6	6
10	2602399	8" Ring Assembly	6	6	6
11 [^]	2195301	Reflector Pans 8"	6	6	6
12	2195700	Split Terminal Block (Large)	6	6	6
13	2627700	Terminal Block Clip	12	12	12
14	1198998	Front Top Assembly	1	1	1
15	1198898	Back Top Assembly 36"	1	1	1
16	1198797	Drip Tray Assembly	2	2	2
17	1685304	Drip Tray Handle 17-7/8	2	2	2

* NOT ILLUSTRATED

[^] DIGITAL PHOTO AT END

RECOMMENDED STOCK PARTS



36E Top Section # 4.dwg

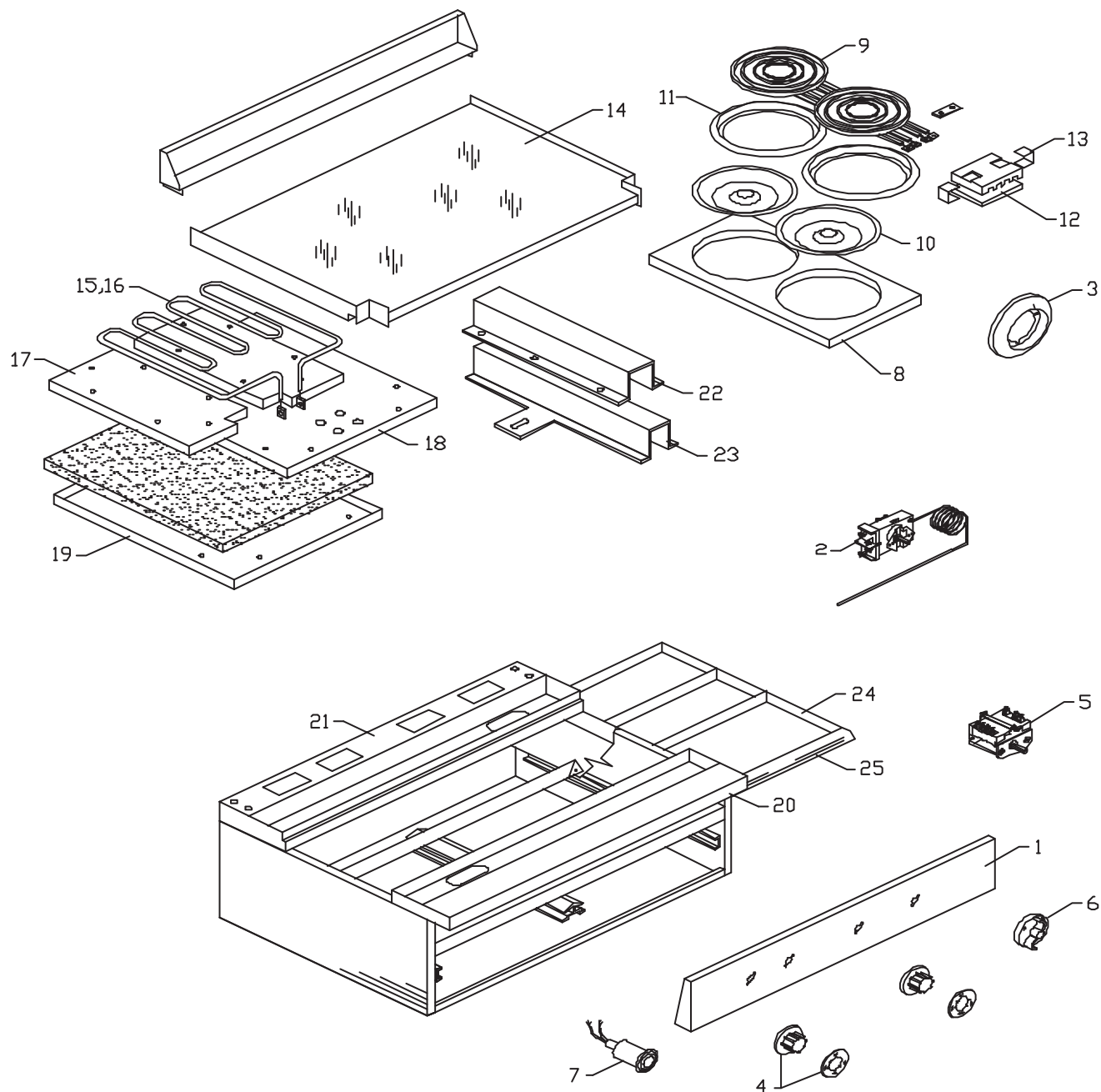
GARLAND PARTS IDENTIFICATION
24" Frypot Thermo Control W/2 Open Elements

ITEM	PART #	DESCRIPTION	MODEL		
			QUANTITY		
			36ER33-88	36ES33-88	36ET33-88
1	1200902	Switch Panel (208-240V)	1		
	1200904	Switch Panel (208-240V)		1	1
2	1010300	Oven Thermostat	1		
3^	1010301	Bezel	1		
4*	1102703	Griddle Thermostat Up to Serial #10963	2	2	2
5a	G02716-1	Dial - (Universal) Small Shaft	3		
5b	G02725-17	Dial Insert (OFF/150F/550F) Oven F	1		
	G02725-19	Dial Insert (OFF/100F/450F) Griddle F	2	2	2
6	G1035-1	Dial HI-MED-LOW	4	2	2
7	G02667-1	3 Heat Switch	4	2	2
	1160797	Pilot Light - Red 24V	1		
	G01296-1	Pilot Red 240V	1		
8	G01296-2	Pilot Amber	2	2	2
	G1030-01-9	12" Top Assembly (2 holes)	1	1	1
10	CK102-208V	8" Surface Element Assembly	2	2	2
	CK102-240V	8" Surface Element Assembly	2	2	2
	2195600	8" Surface Element 208V	2	2	2
	2195601	8" Surface Element 240V	2	2	2
11^	2195301	Reflector Pans 8"	2	2	2
12	2602399	8" Ring Assembly	2	2	2
13	2195700	Split Terminal Block (Large)	2	2	2
14	2627700	Terminal Block Clip	4	4	4
15	1197296	24" Griddle (2) 2 1/2" Lips	1	1	1
16	1197300	Element 208V 5000W	2	2	2
	1197301	Element 236V 5000W	2	2	2
17	G01831-1-6	Element Clamp	4	4	4
18	G01832-1-6	Element Baffle	2	2	2
19	G01830-1-6	Element Cover	2	2	2
20	G01849-1-6	Bulb Channel	2	2	2
21	G01851-01-6	Bulb Clamp Assembly	2	2	2
22	1198998	Front Top Assembly	1	1	1
23	1198898	Back Top Assembly 36"	1	1	1
24	1204801	Flue Riser Back 36"	1	1	
25	1204900	Splash Guard 36"	1	1	1
26	G02667-1	3-Heat Switch - 208&240V	2	2	2
27	1204100	Lower Front Panel	1		
28	G01976-01-7	Grease Diverter Assy	1	1	
29	1685304	Drip Tray Handle 17-7/8	2	2	1
30	1198797	Drip Tray Assembly	2	2	2
31	1204699	Grease Chute Assy	2	2	2
32	1199000	Switch Shield 36"	1	1	1
33	1204101	Lower Front Panel Bracket	2		
34	1340400	Burner Box Bracket	4	4	4
35	1203900	Panel Mtg Bracket LT	1		
	1203901	Panel Mtg Bracket RT	1		

* NOT ILLUSTRATED

^ DIGITAL PHOTO AT END

RECOMMENDED STOCK PARTS



GARLAND PARTS IDENTIFICATION

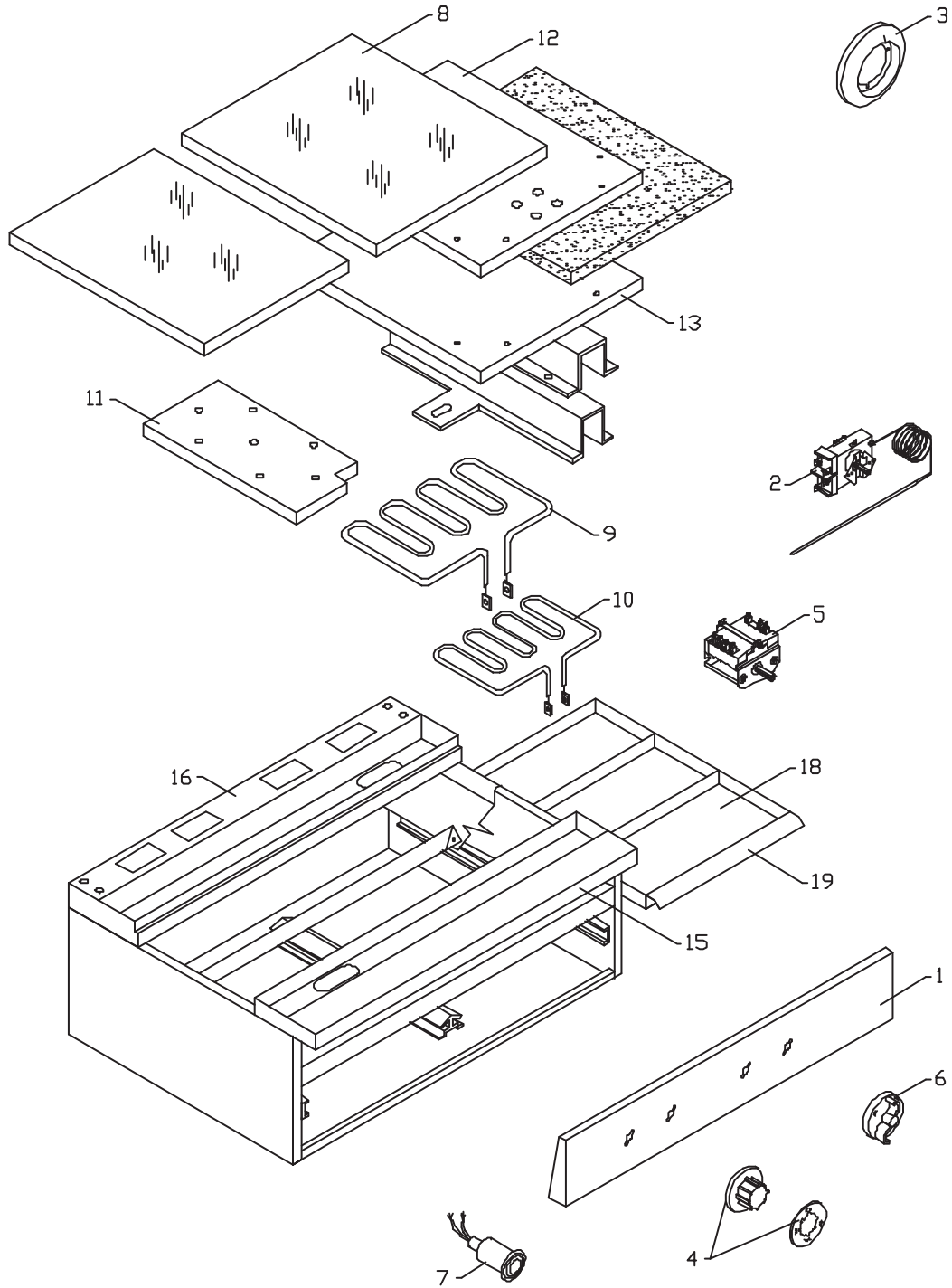
Boil Sections W/2 Open Elements

ITEM	PART #	DESCRIPTION	MODEL		
			QUANTITY		
			36ER33-99	36ES33-99	36ET33-99
1	1200906	Switch Panel	1		
	1200908	Switch Panel		1	
2	1010300	Thermostat	1		
3^	1010301	Bezel	1		
4	G02725-17	Dial Insert (OFF/150F/550F) Oven F	1		
	G02716-1	Dial - (Universal) Small Shaft	1		
5	G02667-1	3 Heat Switch	8	6	6
6	G1035-1	Dial HI-MED-LOW	8	6	6
7	1160797	Pilot Light - Red 24V Used up to serial # 9911HE001R - Nov 1, 99	1		
	G01296-1	Pilot Red 240V Used from serial # 9911HE002R - Nov 1, 99	1		
8	G1030-01-9	12" Top Assembly (2 holes)	1	1	1
9	2195600	8" Surface Element 208V	2	2	2
	2195601	8" Surface Element 240V	2	2	2
10^	2195301	Reflector Pans 8"	2	2	2
11	2602399	8" Ring Assembly	2	2	2
12	2195700	Split Terminal Block (Large)	2	2	2
13	2627700	Terminal Block Clip	4	4	4
14	G01845-01-8	24" Boiling Plate No Lips	1	1	1
15	G01814-1	Element Outer 208V,1125W	4	4	4
	G01814-2	Element Outer 240V,1125W	4	4	4
16	G01815-1	Element Inner 208V,875W	4	4	4
	G01815-2	Element Inner 240V,875W	4	4	4
17	G01835-1-6	Element Clamp	4	4	4
18	G01834-1-6	Element Baffle	2	2	2
19	G01833-1-6	Element Cover	2	2	2
20	1198998	Front Top Assembly	1	1	1
21	1198898	Back Top Assembly 36"	1	1	1
22	G01849-1-6	Bulb Channel	2	2	2
23	G01851-01-6	Bulb Clamp Assembly	2	2	2
24	1198797	Drip Tray Assembly	2	2	2
25	1685304	Drip Tray Handle 17-7/8	2	2	2
26*	CK121-208	10-21R Cast Conv to Steel 208V	1	1	1
	CK121-240	10-21R Cast Conv to Steel 240V	1	1	1

* NOT ILLUSTRATED

^ DIGITAL PHOTO AT END

RECOMMENDED STOCK PARTS



36S Top Section # 6

GARLAND PARTS IDENTIFICATION

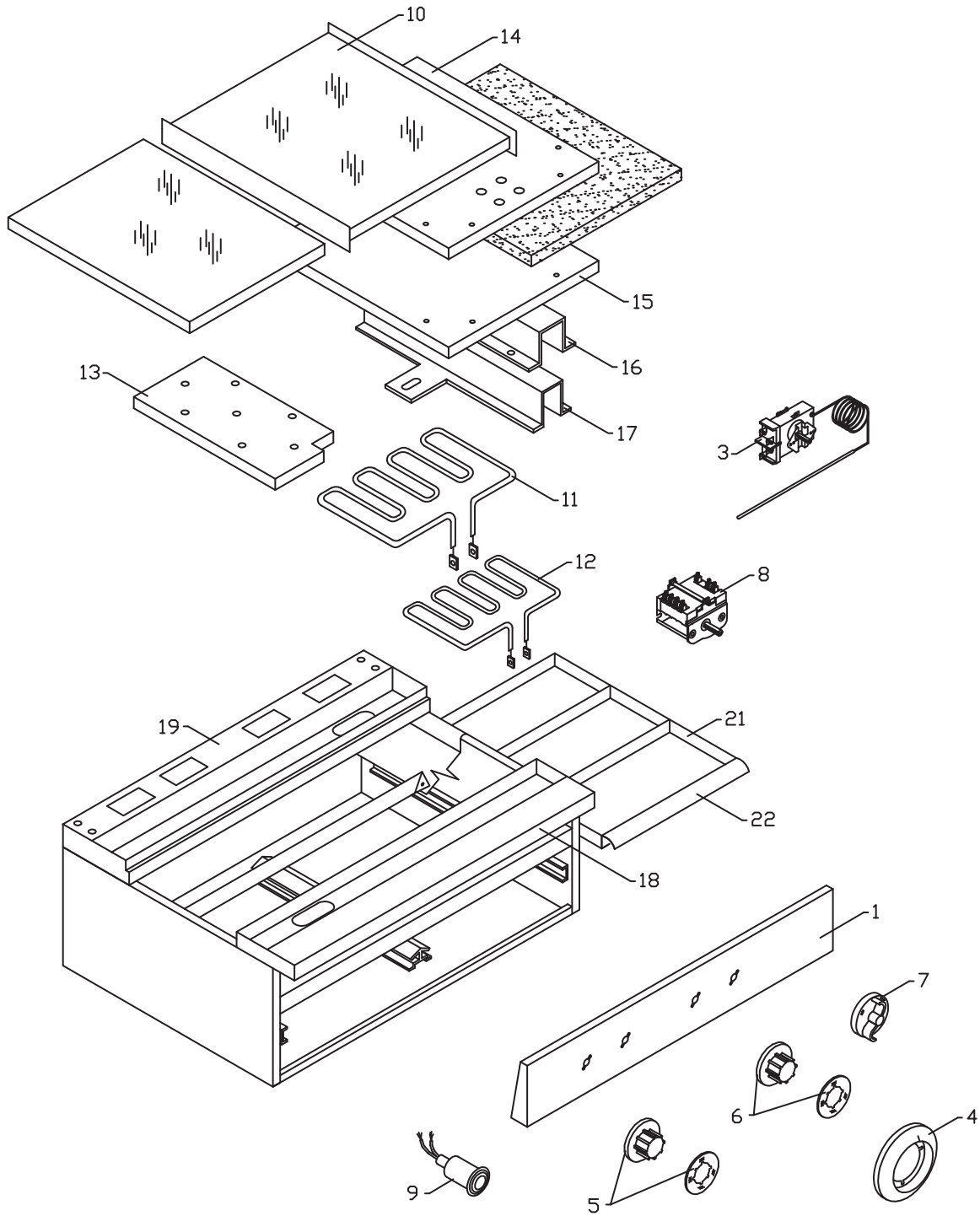
(4) Boil Section Thermo Control

ITEM	PART #	DESCRIPTION	MODEL		
			QUANTITY		
			36ER35	36ES35	36ET35
1	1200914	Switch Panel	1		
	1200915	Switch Panel		1	1
2	1010300	Thermostat	1		
3^	1010301	Bezel	1		
4	G02725-17	Dial Insert (OFF/150F/550F) Oven F			
	G02716-1	Dial - (Universal) Small Shaft	1		
5	G02667-1	3 Heat Switch	6	4	4
	G2088	Switch Three Heat Hi Voltage	6	4	4
6	G1035-1	Dial HI-MED-LOW	6	4	4
7	1160797	Pilot Light - Red 24V	1		
	G01296-1	Pilot Red 240V	1		
8	1197292	18" Boil Plate No Lips	2	2	2
9	G01801-1	Element Outer 208V,1.6KW	4	4	4
	G01801-2	Element Outer 240V,1.6KW	4	4	4
	G01813-2	Element Outer 480V,1600W	4	4	4
10	G01802-1	Element Inner 208V,1.4KW	4	4	4
	G01802-2	Element Inner 240V,1.4KW	4	4	4
	G01812-2	Element Inner 480V,1400W	4	4	4
11	2179500	Element Clamp	8	8	8
	G01837-1-6	Element Clamp	8	8	8
12	G01838-1-6	Element Baffle	2	2	2
	G01840-1-6	Element Baffle	2	2	2
13	G01839-1-6	Element Cover	2	2	2
	G01841-1-6	Element Cover	2	2	2
14*	G2445-3	Resistor 150,000 OHM 2W Hi-Voltage Models Only	1		
15	1198998	Front Top Assembly	1	1	1
16	1198898	Back Top Assembly 36"	1	1	1
17*	CK122-208	LT 10-11 Cast Conv to Steel 208	2	2	2
	CK122-240	LT 10-11 Cast Conv to Steel 240	2	2	2
	CK122-460	18" Boil Plate Kit 460V			
18	1198797	Drip Tray Assembly	2	2	2
19	1685304	Drip Tray Handle 17-7/8	2	2	2

* NOT ILLUSTRATED

^ DIGITAL PHOTO AT END

RECOMMENDED STOCK PARTS



GARLAND PARTS IDENTIFICATION

All Purpose Plates Thermo Control

ITEM	PART #	DESCRIPTION	MODEL		
			QUANTITY		
			36ER36	36ES36	36ET36
1	1200916	Switch Panel	1		
	1200917	Switch Panel		1	1
2*	1010304	Thermostat	2	2	2
3	1010300	Thermostat	1		
4^	1010301	Bezel	2	2	2
5	G02716-1	Dial - (Universal) Small Shaft	2	2	2
	G02725-13	Dial Insert (OFF/1/10) All Purpose	2	2	2
6	G02716-1	Dial - (Universal) Small Shaft	1		
	G02725-17	Dial Insert (OFF/150F/550F) Oven F	1		
7	G1035-1	Dial HI-MED-LOW	2		
8	G02667-1	3 Heat Switch	2		
	G2088	Switch Three Heat Hi Voltage	2		
9	1160797	Pilot Light - Red 24V	1		
	G01296-1	Pilot Red 240V	1		
	G01296-2	Pilot Amber	2	2	2
10	2447299	18" All Purpose (1) 1/2" Lip	2	2	2
11	G01801-1	Element Outer 208V,1.6KW	2	2	2
	G01801-2	Element Outer 240V,1.6KW	2	2	2
	G01813-2	Element Outer 480V,1600W	2	2	2
12	G01802-1	Element Inner 208V,1.4KW	2	2	2
	G01802-2	Element Inner 240V,1.4KW	2	2	2
	G01812-2	Element Inner 480V,1400W	2	2	2
13	2179500	Element Clamp	8	8	8
	G01837-1-6	Element Clamp	8	8	8
14	G01838-2-6	Element Baffle	2	2	2
	G01840-2-6	Element Baffle	2	2	2
15	G01839-2-6	Element Cover	2	2	2
	G01841-2-6	Element Cover	2	2	2
16	G01849-1-6	Bulb Channel	2	2	2
17	2206300	Bulb Clamp	2	2	2
18	1198998	Front Top Assembly	1	1	1
19	1198898	Back Top Assembly 36"	1	1	1
20*	G2445-3	Resistor 150,000 OHM 2W Hi-Voltage Models Only	3	2	2
21	1198797	Drip Tray Assembly	2	2	2
22	1685304	Drip Tray Handle 17-7/8	2	2	2
Kits Available					
23*	CK185	18"A/P Plate Assembly 1 Lip 208V Included Part # 11, 12, 13, 14, 15, 16, 17	2	2	2
24*	CK186	18"A/P Plate Assembly 1 Lip 240V Included Part # 10, 11, 12, 13, 14, 15, 16, 17	2	2	2
25*	CK201	18"All Purpose Plate Assembly 460V Included Part # 10, 11, 12, 13, 14, 15, 16, 17	2	2	2

* NOT ILLUSTRATED

^ DIGITAL PHOTO AT END

RECOMMENDED STOCK PARTS

GARLAND PARTS IDENTIFICATION

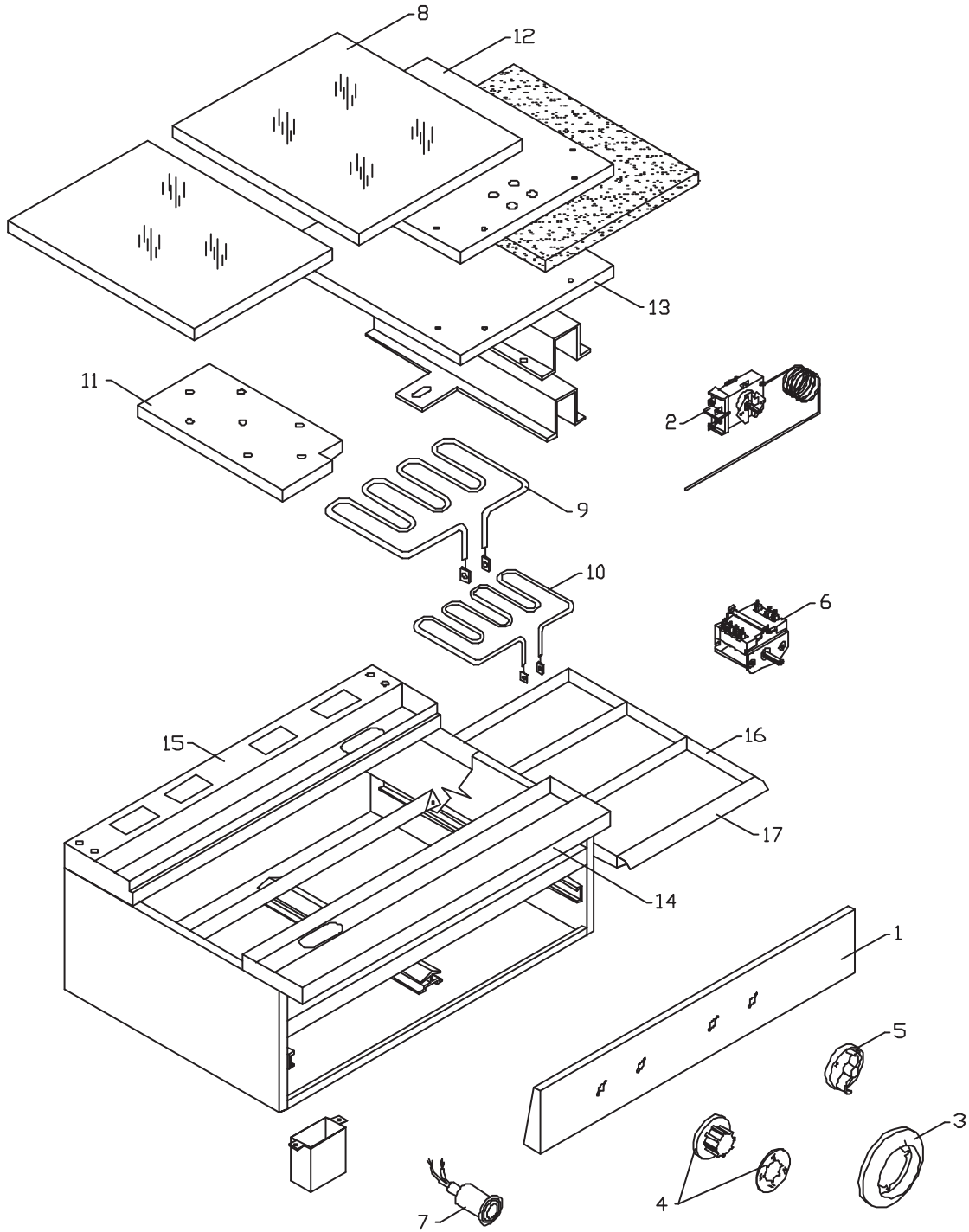
36" Fry Top Thermo Control

ITEM	PART #	DESCRIPTION	MODEL		
			QUANTITY		
			36ER38	36ES38	36ET38
1	1200900	Switch Panel SS	1		
	1200901	Switch Panel		1	1
2	1010300	Thermostat	1		
3*	1102703	Griddle Thermostat Up to Serial #10963	3	3	3
4^	1010301	Bezel	3	3	3
5	G02716-1	Dial - (Universal) Small Shaft	3	3	3
	G02725-19	Dial Insert (OFF/100F/450F) Griddle F	3	3	3
6	G02716-1	Dial - (Universal) Small Shaft	1		
	G02725-17	Dial Insert (OFF/150F/550F) Oven F	1		
7	G1035-1	Dial HI-MED-LOW	2		
8	G02667-1	3 Heat Switch	2		
	G2088	Switch Three Heat Hi Voltage	2		
9	1160797	Pilot Light - Red 24V	1		
	G01296-1	Pilot Red 240V	1		
	G01296-2	Pilot Amber	3	3	3
10	G01843-01-8	36" Griddle (2) 2-1/2" Lips	1	1	1
11	1197300	Element 208V 5000W	3	3	3
	1197301	Element 236V 5000W	3	3	3
	1197302	Element 460V 5000W	3	3	3
12	G01831-1-6	Element Clamp	6	6	6
13	G01832-1-6	Element Baffle	3	3	3
14	G01830-1-6	Element Cover	3	3	3
15	G01849-1-6	Bulb Channel	3	3	3
16	G01851-01-6	Bulb Clamp Assembly	3	3	3
17	1198998	Front Top Assembly	1	1	1
18	1198898	Back Top Assembly 36"	1	1	1
19	1198797	Drip Tray Assembly	2	2	2
20	1685304	Drip Tray Handle 17-7/8	2	2	2
21*	G2445-3	Resistor 150,000 OHM 2W Hi-Voltage Models Only	4	3	3
22*	CK18-208	Griddle Assembly Kit 208V	1	1	1
	CK18-240	Griddle Assembly Kit 240V	1	1	1

* NOT ILLUSTRATED

^ DIGITAL PHOTO AT END

RECOMMENDED STOCK PARTS



GARLAND PARTS IDENTIFICATION

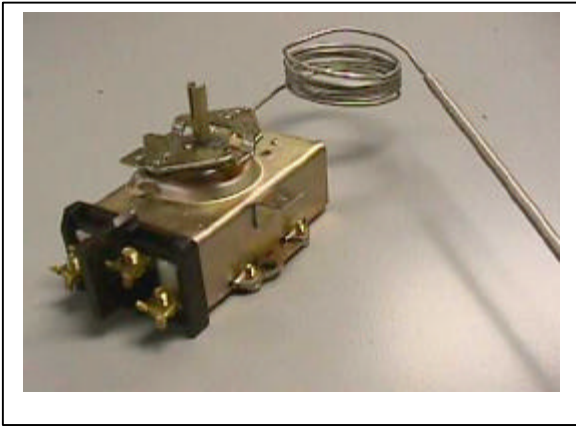
6 Boil Sections Switch Controlled

ITEM	PART #	DESCRIPTION	MODEL		
			QUANTITY		
			36ER39	36ES39	36ET39
1	1200906	Switch Panel	1		
	1200908	Switch Panel		1	1
2	1010300	Thermostat	1		
3 [^]	1010301	Bezel	1		
4	G02716-1	Dial - (Universal) Small Shaft	1		
	G02725-17	Dial Insert (OFF/150F/550F) Oven F	1		
5	G1035-1	Dial HI-MED-LOW	8	6	6
6	G02667-1	3 Heat Switch	8	6	6
7	1160797	Pilot Light - Red 24V	1		
	G01296-1	Pilot Red 240V	1		
8	1197291	24" Boil Plate No Lips	1	1	1
	1197293	12" Boil Plate No Lips	1	1	1
9	G01814-1	Element Outer 208V,1125W	6	6	6
	G01814-2	Element Outer 240V,1125W	6	6	6
	G01825-3	Element Outer 440/480V,2.1KW	3	3	3
10	G01815-1	Element Inner 208V,875W	6	6	6
	G01815-2	Element Inner 240V,875W	6	6	6
	G01826-3	Element Inner 440/480V,1.9KW	3	3	3
11	G01835-1-6	Element Clamp	6	6	6
12	G01834-1-6	Element Baffle	3	3	3
13	G01833-1-6	Element Cover	3	3	3
14	1198998	Front Top Assembly	1	1	1
15	1198898	Back Top Assembly 36"	1	1	1
16	1198797	Drip Tray Assembly	2	2	2
17	1685304	Drip Tray Handle 17-7/8	2	2	2
18*	G2445-3	Resistor 150,000 OHM 2W Hi-Voltage Models Only	1		
19*	CK187	12" Boil Plate Assembly No Lip 208V	1	1	1
	CK188	12" Boil Plate Assembly No Lip 240V	1	1	1
20*	CK121-460	36ER Cast Conversion to Steel 460V	1	1	1

* NOT ILLUSTRATED

[^] DIGITAL PHOTO AT END

RECOMMENDED STOCK PARTS



1010300
OVEN THERMOSTAT (36E)



G1035-1
DIAL HI-MED-LOW



1193900
TERMINAL BLOCK



1010301
BEZEL



G02716-1
DIAL - (UNIVERSAL) SMALL SHAFT



2195301
REFLECTOR PANS 8"

GARLAND PARTS IDENTIFICATION

Revision History

REV. #	PAGE #	ITEM #	NOTE	DATE
0			New Release	July 12/04
1	6		Entire Book Reformatted	July 13/04
	18		New Drawing	
2	8	44	New casters introduced - Mounting method and overall height would be the same as the old casters. The only difference is with the diameter of the new wheel. The old casters wheel diameter is (4") new casters is (3.5") in diameter	Jan 13/05
3	7	50	New Part Number	Mar 23/05
4	14,15	25,26	Part Number Added – Missing	Jul 27/05
	16,17	16,17		
	20,21	24,25		
	22,23	18,19		
	24,25	21,22		
	26,27	18,19		
	28,29	16,17		
	15	27	Was Item #25	
	21	26	Was Item #24	
	25	23,24,25	Were Items # 21, 22, 23	
27	22	Was Item # 20		
29	18,19, 20	Were Items # 16, 17, 18		
5	6		New Drawing	Aug 20/08
	7	4	Description changed - (was: Dead Front Panel)	
	8	51	New part number added	

 **Garland**[®]