



***GARLAND MODEL  
API, APA, AP4 ELECTRIC  
APO COUNTER DECK OVEN***

**PARTS LIST**

Toll Free Phone, (US & Canada): (800) 427-6668

Toll Free Fax, (US & Canada): (800) 361-7745

<http://www.garland-group.com>

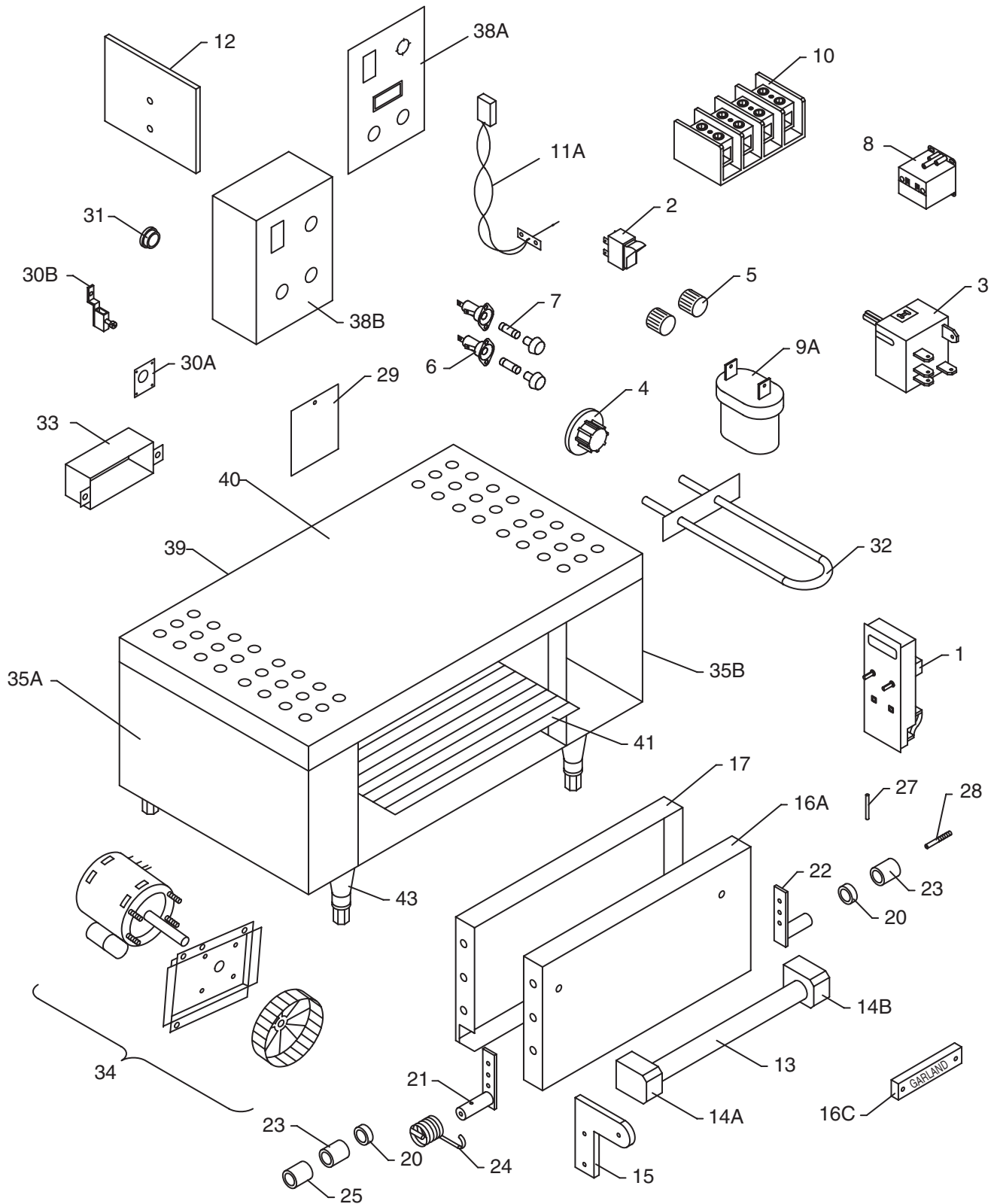




***GARLAND MODEL  
API, APA, AP4 ELECTRIC  
APO COUNTER DECK OVEN***

***Contents:***

API, APA, AP4 Electric APO Counter Deck Oven ..... Page 4



**GARLAND PARTS IDENTIFICATION**  
**API, APA, AP4 Electric APO Counter Deck Oven**

ITEM	PART #	DESCRIPTION	MODEL	DATE	
			QUANTITY	FROM	UP TO
			APO		
<b>Section A: Control, Components- Right Side</b>					
1	<a href="#">1517710</a>	<i>Controller</i>	1		
2	<a href="#">1639701</a>	<i>Master Power Switch (Amber)</i>	1		
3	<a href="#">1101300</a>	<i>Infinite Switch 240 Volt</i>	1		
4	<a href="#">1717801</a>	<i>Heat Dial</i>	1		
5	<a href="#">1720501</a>	<i>Time/Temp Knob</i>	2		
6	<a href="#">1130106</a>	Fuse Holder	2		
7	<a href="#">1130107</a>	<i>Fuse 10 Amp</i>	2		
8	<a href="#">9005400</a>	Mercury Contactor	1		
9A	<a href="#">1636501</a>	Capacitor 5 MFD	1		
9B*	<a href="#">1730702</a>	Capacitor Bracket	1		
9C*	<a href="#">1730703</a>	Capacitor Termination Boot	1		
10	<a href="#">1233901</a>	Terminal Block #H 4-Pole	1		
11A	<a href="#">9006800</a>	<i>Senor Probe (Side Mount)</i>	1		
11B*	<a href="#">1101402</a>	Thermostat Bulb Clips	4		
12	<a href="#">1714002</a>	Access Door	1		
<b>Section B: Door System</b>					
13	<a href="#">1589101</a>	Extruded Handle Bar 18.375	1		30-Aug-00
	<a href="#">1592001</a>	Handle Overlay 18 3/8x1 21/64	1		30-Aug-00
	<a href="#">1635500</a>	Door Handle	1	30-Aug-00	
14A	<a href="#">9003701</a>	Handle L/H	1		30-Aug-00
14B	<a href="#">9003700</a>	Handle R/H	1		30-Aug-00
15	<a href="#">1634500</a>	Door Handle End Cap (RH or LH)	2	30-Aug-00	
16A	<a href="#">1715802</a>	Door Front SS	1		
	<a href="#">1700401</a>	Front Panel	1	30-Aug-00	
16B*	<a href="#">1309056</a>	Cerawool 7-3/8" x 20-3/4" x 1/2" Thick	2		
16C	<a href="#">1902919</a>	Garland Nameplate 4"	1	30-Aug-00	
17	<a href="#">1700501</a>	Back Panel	1		
18*	<a href="#">1700699</a>	Inner Back Plug	1		
19*	<a href="#">1689002</a>	Spacer 1/2"	2		
	<a href="#">1702601</a>	Socket Head Screw	4		
20	<a href="#">1011201</a>	Steel Tubing Chrome Spacer	2		
21	<a href="#">1689398</a>	Door Arm Left W/A	1		
22	<a href="#">1689399</a>	Door Arm Right W/A	1		
23	<a href="#">1054330</a>	Bronze Bearing	2		
24	<a href="#">1632601</a>	Door Spring	1		Apr-94
	<a href="#">1688701</a>	Door Spring	1	Apr-94	
25	<a href="#">1725602</a>	Sleeve Bearing Left Side Only	1		
26*	<a href="#">8002108</a>	Smscr-Th-Stl-Phil-A 10-32x3/4	1		
27	<a href="#">1720201</a>	Dowel Pin S/S	1		
28	<a href="#">8003802</a>	Set Screw	1		
<b>Section C: Back ( Motor, Elements)</b>					
29	<a href="#">1714001</a>	Access Door	1		
30A	<a href="#">1032500</a>	Knock Out Plate	1		
30B	<a href="#">1028402</a>	Ground Lug	1		
31	<a href="#">1028800</a>	Snap Bushing 1" Dia. #315-734	3		

\* NOT ILLUSTRATED

**RECOMMENDED STOCK PARTS**

**GARLAND PARTS IDENTIFICATION**  
**API, APA, AP4 Electric APO Counter Deck Oven**

ITEM	PART #	DESCRIPTION	MODEL	DATE	
			QUANTITY	FROM	UP TO
			APO		
32	<a href="#">1616800</a>	<i>208V Element</i>	4		Mar-94
	<a href="#">1616803</a>	<i>Element APO 208V</i>	4	Mar-94	
	<a href="#">1616801</a>	<i>240V Element</i>	4		Mar-94
	<a href="#">1616804</a>	<i>Element APO 240V</i>	4	Mar-94	
33	1724601	Spark Guard	4		
34	<a href="#">1636599</a>	<i>Motor Assembly Available as Assembly Only</i>	1		
<b>Section D: Body Exterior</b>					
35A	1715403	Left Side Panel	1		
35B	1714703	Cover Right SS	1		
36*	1714402	Column Cover Left	1		
37*	<a href="#">1715703</a>	Spring Block	1		
38A	1715302	Touch Pad (APO 1-208) Overlay	1		
38B	1714503	Control Panel	1		
39	1714601	Cover Back	1		
40	<a href="#">1717401</a>	Top Cover	1		
41	1631796	Bottom Jet Plate	1		
42*	<a href="#">1709002</a>	Rack	1		
	<a href="#">1709099</a>	Perforated Rack	1		
43	<a href="#">1196302</a>	Leg 4 Metal"	4		

\* NOT ILLUSTRATED

**RECOMMENDED STOCK PARTS**

# ***NOTES***

 **GARLAND**<sup>®</sup>