



***CUISINE SERIES BROILER
GAS INFRA-RED
MODEL: C2100M***

PARTS LIST

Toll Free Phone, (US & Canada): (800) 427-6668

Toll Free Fax, (US & Canada): (800) 361-7745

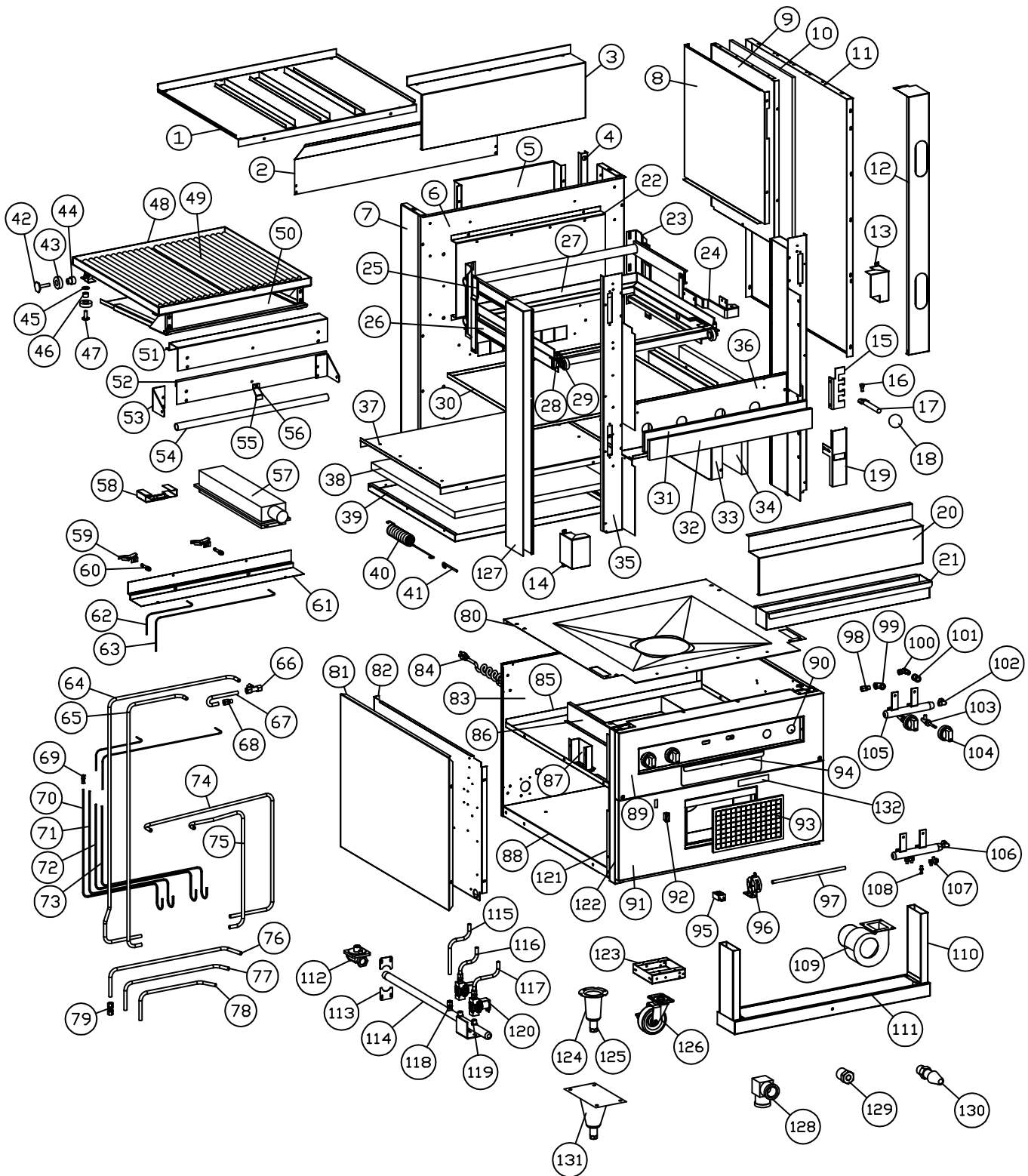
<http://www.garland-group.com>



***CUISINE SERIES BROILER
GAS INFRA-RED
MODEL: C2100M***

Contents:

Gas Infra-Red Broiler Page Page 4
Revision History Page Page 9



C2100M

US RANGE PARTS IDENTIFICATION

Gas Infra-Red Double Broiler

Model C2100M

ITEM	PART #	DESCRIPTION	QUANTITY
1	2668100	Main Top	1
2	2676300	Flue Diverter Stainless Back Veneer	1
3	G01215-2-9	Upper Front Panel	1
4	G01260-01-8	Channel Brace Assy.	4
5	G02000-1-7	Smoke Stack	1
6	G02017-1-6	Main Back	1
7	G01998-1-71	Main Back Extension Post	2
8	2667700	Top Side Inner Liner	2
9	2667600	Top Side Insulation Liner	2
10	1472209	Upper Side Insulation 25.5" X 18" X 1"	2
11	G02006-1-91	Main Side - Stainless	2
12	2645501	Corner Column RH	1
	2645500	Corner Column LH	1
13	3092600	Air Diverter RH	2
14	3092500	Air Diverter LH	2
15	2684400	Broiler Ratchet	2
16	F58	Shoulder Bolt 5/16-18 X 3/8 X 1/4	10
17	G01219-02-5	Rack Lifting Handle Assembly	2
18	1039602	Grey Ball Knob	2
19	G01262-1-9	Rack Handle Cover	2
20	G01213-2-9	Lower Front Panel	1
21	G01188-1-9	Upper Grease Box	1
22	G01996-1-6	Back Liner	2
23	G01227-1-8	Carriage Support	4
24	G01182-01-5	Rack Handle Lever Assembly	2
25	G01234-01-5	Rack Raising Arm Upper Assembly	2
26	G01234-02-5	Rack Raising Arm Lower Assembly	2
27	G02024-01-8	Carriage Assembly	2
28	F5	Hex Socket Screw 1/4-20 X 1.25	4
29	G01989-1-8	Post Bearing	4
30	2673399	Grease Diverter Assembly	1
31	1472209	Heat Shield Insulation 27" X 3" X 1" (Cut from Item 10)	1
32	G01212-1-6	Heat Shield	1
33	G01999-2-6	Lower Side Liner	2
34	1472316	Lower Side Insulation 18" x 14" x 2"	2
35	G02018-2-61	Front Frame Side RH	1
	G02018-2-62	Front Frame Side LH	1
36	G01180-2-6	Burner Housing	2
37	G01177-1-6	Top Insulation Liner	1
38	1472305	Top Separator Insulation 29.5" x 23" x 2"	1
39	G01199-1-6	Broiler Bottom	1
40	G01245-1	Broiler Spring	4
41	G01246-1-8	Spring Hook	4
42	G6424	Glider Bolt Hex Head 3/8-16 x 2	4
43	G01244-1	Roller Bearing 1 11/16 x 1/2	12
44	G01247-3	Rear Bushing	4
45	G01247-1-8	Washer Bearing	4
46	G01247-2	Front Bearing	4

* NOT ILLUSTRATED

RECOMMENDED STOCK PARTS

US RANGE PARTS IDENTIFICATION

Gas Infra-Red Double Broiler

Model C2100M

ITEM	PART #	DESCRIPTION	QUANTITY
47	F56	Hex Head Bolt	8
48	2682799	Rack Frame Assembly	2
49	G01544-01-5	Broiler Rack Assembly (Std.)	4
	2684500	Broiler Rack Assembly Extended (Opt.)	10
50	2682800	Drip Chute	2
51	2682200	Broiler Rack Front Veneer (Std.Rack)	2
52	2682201	Broiler Rack Front Veneer (Opt. Extended Rack)	2
53	2682601	Handle End LH	2
	2682600	Handle End RH	2
54	G01904-03-9	Handle Assembly	2
55	2682300	Drip Tray Stop	2
56	F298	Truss Head Shoulder Bolt 10-24 X 3/8	10
57	G01229-01	Infra-Red Burner (Specify Gas)	8
58	G01994-1-6	Burner Bracket	8
59	3093100	Pilot Shield	4
60	3093000	Pilot	4
61	3093300	Pilot Mounting and Body Enclosure	2
62	4513669	1/8 Tubing - Left Pilot	2
63	4513670	1/8 Tubing - Right Pilot	2
64	3101900	7/16 Tubing - Upper Right Burner	1
65	3101800	7/16 Tubing - Upper Left Burner	1
66	G01168-1	Compression Tee 7/16	4
67	2655800	7/16 Tubing - Burner Orifice to Comp. Tee	8
68	G01243-1	Straight Connector - 1/4NPT to 7/16CC	10
69	4513675	Straight Connector - 1/8CC to 3/16CC	4
70	3102200	3/16 Tubing - Upper Left Pilot	1
71	3102300	3/16 Tubing - Upper Right Pilot	1
72	3102400	3/16 Tubing - Lower Left Pilot	1
73	3102500	3/16 Tubing - Lower Right Pilot	1
74	3102000	7/16 Tubing - Lower Left Burner	1
75	3102100	7/16 Tubing - Lower Right Burner	1
76	3100700	7/16 Tubing - Right Sub Manifold	1
77	3100600	7/16 Tubing - Center Sub Manifold	1
78	3100500	7/16 Tubing - Left Sub Manifold	1
79	076050-88	7/16 Compression Union	3
80	G02009-1-6	Grease Hopper	1
81	G6196-1-9	Body Side - Stainless	2
82	2514401	Inner Side LH	1
	2514400	Inner Side RH	1
83	G6051-4-7	Main Back	1
84	2642200	Cord & Plug	1
85	3098400	Cabinet Shelf	1
86	2576800	Drip Tray Guide	2
87	3099500	Tubing Chase	1
88	G01031-1-7	Main Bottom	1
	G01031-3-7	Main Bottom For Adjustable Caster Only	1
89	3102700	Front Panel	1
90	2649701	Valve Panel	1

* NOT ILLUSTRATED

RECOMMENDED STOCK PARTS

US RANGE PARTS IDENTIFICATION

Gas Infra-Red Double Broiler

Model C2100M

ITEM	PART #	DESCRIPTION	QUANTITY
91	3091999	Lower Panel	1
92	2146800	Illuminated Power Switch	1
93	3096600	Filter Screen	1
94	2682998	Grease Pan Assembly	1
95	2573000	Terminal Block	1
96	3096800	Air Pressure Switch	1
97	4514785	Flexible PVC Tubing	1
98	G01243-1	Straight Connector - 1/4 NPT to 7/16CC	2
99	G01474-4	Elbow 1/4NPT	2
100	076050-90	Compression Elbow - 1/4 NPT X 7/16CC	2
101	1004806	Pipe Coupling - 1/4NPT	2
102	G02352-1	Compression Elbow. 3/8 NPT to 7/16CC	3
103	1095100	Broiler Valve HML - Natural Gas	4
	1095101	Broiler Valve HML - LP	4
104	2522114	Knob	4
105	3089098	Sub Manifold - Left and Right	2
106	3089099	Sub Manifold - Centre	1
107	G01248-1	Double Pilot Valve Assembly	2
108	G02251-1	Pressure Test Spigot	1
109	3096700	Blower Motor Assembly	1
110	3089799	Lower Duct Assembly	2
111	3089800	Air Plenum	1
112	2127503	Pressure Regulator - Natural Gas	1
	2127500	Pressure Regulator - LP	1
113	2653700	Manifold Support	2
114	3089199	Supply Manifold	1
115	3101000	7/16 Tubing - Supply Manifold to Center Sub-Manifold	1
116	3100900	7/16 Tubing - Solenoid to Right Sub-Manifold	1
117	3100800	7/16 Tubing - Solenoid to Left Sub-Manifold	1
118	1095499	Straight Connector - 3/8 NPT X 7/16CC	3
119	076029-3R	Close Nipple 3/8 NPT	2
120	G02965-1	Solenoid Valve	2
121	2514699	Front Frame Assembly	1
122	2530105	Corner Column RH	1
	2530104	Corner Column LH	1
123	2167700	Base Corner	4
	4516742	Base Corner For Adjustable Caster Only	4
124	1027600	6 Leg Retainer - Plated (Std.)	4
	2026299	Flanged Leg Retainer Assembly (Opt.)	4
	2676699	6" Stainless Leg Assembly	4
	2093800	4" Leg Retainer	4
125	1150502	Bullet Leg (Std. 6" Leg and 4" Leg Option)	4
	2393999	Flanged Leg Assembly (Flanged Leg Option)	4
126	2628901	Polyurethane Swivel Caster W/Brake (Opt.)	2
	2628900	Polyurethane Swivel Caster (Opt.)	2
	4512219	Swivel Caster w/Brake (Opt.) Adjustable	2
	4512220	Swivel Caster (Opt.) Adjustable	2

* NOT ILLUSTRATED

RECOMMENDED STOCK PARTS

US RANGE PARTS IDENTIFICATION

Gas Infra-Red Double Broiler

Model C2100M

ITEM	PART #	DESCRIPTION	QUANTITY
127	3091300	Vent Front - Right	1
	3091301	Vent Front - Left	1
	3091200	Vent Rear - Right	1
	3091201	Vent Rear - Left	1
128	4513621	Plastic Elbow	1
129	4513620	Reducing Bushing	1
130	4513619	Hose Barb	1
131	4519723	S/S Adjustable Leg (Optional)	4
132	3077102	US Range Name Plate	1

* NOT ILLUSTRATED

RECOMMENDED STOCK PARTS

US RANGE PARTS IDENTIFICATION

Revision History

REV. #	PAGE #	ITEM #	NOTE	DATE
			Book Released	Jul 06/05
1	5	2	Part # 2676301 (Flue Diverter (St.)) Deleted	Apr 25/07
			Part # 2676300 Description Changed Was (Flue Diverter (Opt. W/Stainless Back Veneer))	
2	5	11	Part # G02006-1-81 (Main Side - Black Std) deleted	May 8/07
			Description Changed - Was (Main Side - Stainless (Opt))	
	6	81	Part # G6196-1-8 (Body Side - Black (Std)) Deleted	
			Description Changed - Was (Body Side - Stainless (Opt))	

 **U.S. Range**