



**E2000 SERIES  
ELECTRIC BAKE/ROAST  
DECK OVENS**

**PARTS LIST**

Toll Free Phone, (US & Canada): (800) 427-6668

Toll Free Fax, (US & Canada): (800) 361-7745

<http://www.garland-group.com>





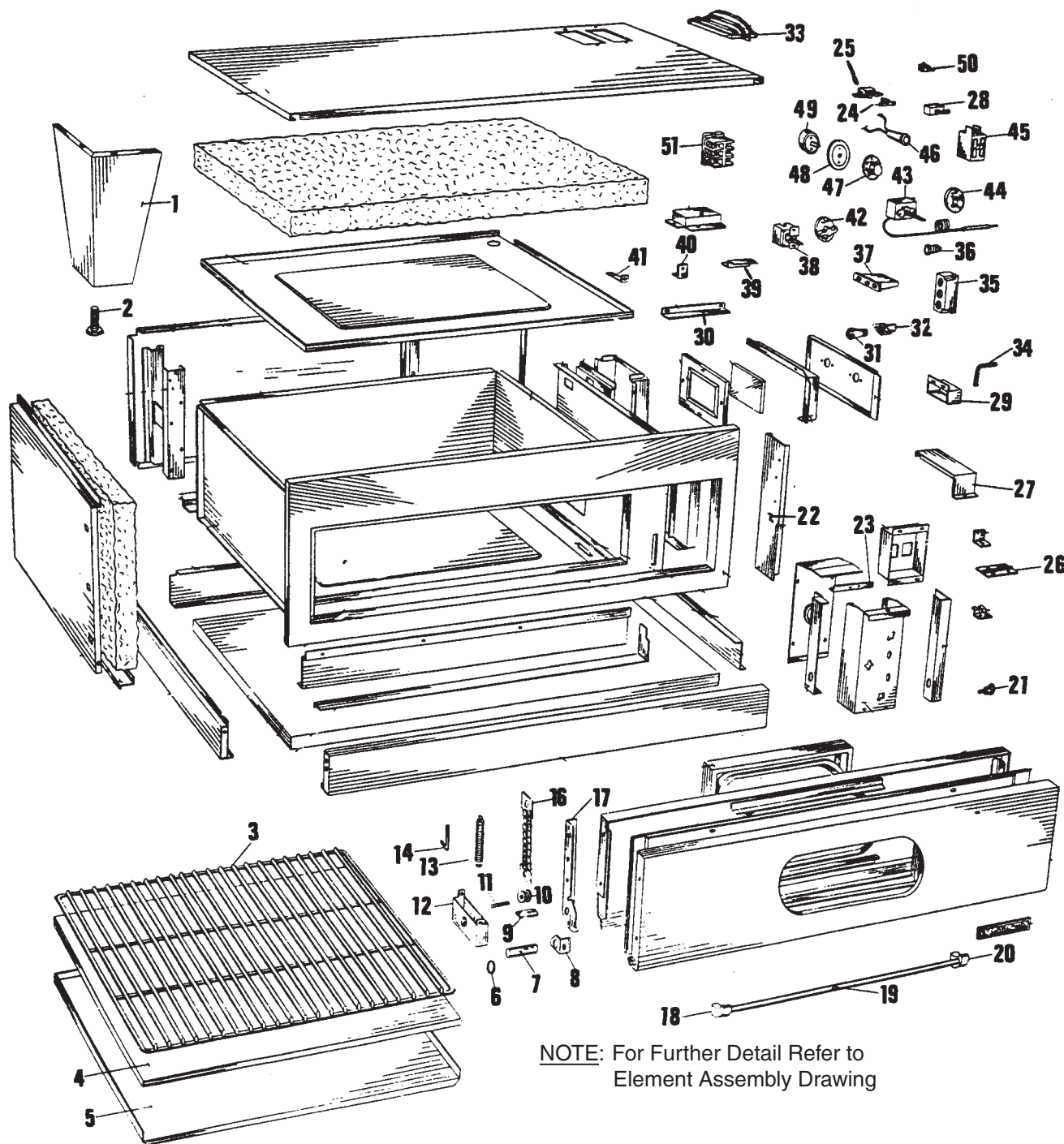
# **E2000 SERIES ELECTRIC BAKE/ROAST DECK OVENS**

## ***Contents:***

Model Number Designations ..... Page 5  
E-2000 Series Electric Bake/Roast Deck Ovens ..... Page 6  
Revision History..... Page 11

### **MODEL NUMBER DESIGNATION**

<b>Model</b>	<b>Description</b>
E2001	(1) Bake Oven
E2011	(2) Bake Ovens
E2111	(3) Bake Ovens
E2005	(1) Roast Oven
E2055	(2) Roast Ovens
E2555	(3) Roast Ovens
E2015	(1) One Bake/ (1) One Roast
E2115	(2) Two Bake / (1) One Roast
E2155	(1) One Bake / (2) Roast



NOTE: For Further Detail Refer to  
Element Assembly Drawing

**GARLAND PARTS IDENTIFICATION**  
**E-2000 Series Electric Bake/Roast Deck Ovens**

ITEM	PART #	DESCRIPTION	QUANTITY		
			MODEL		
			E2001	E2000P	E2005
1	1056282	6" Leg Assembly GG			
	1056281	6" Leg Assembly S/S Optional			
	1056293	16" Leg Assembly GG For (2) Roast Ovens			
	1056297	16" Leg Assembly S/S Optional			
	1056294	23" Leg Assembly GG For (1) Roast or (2) Bake Ovens			
	1056298	23" Leg Assembly S/S Optional			
	1056283	27" Leg Assembly GG For (1) Bake Oven	4	4	
	1056299	27" Leg Assembly S/S Optional			
2	1161000	Leg Adjustment Bolt (3/8-16)	4	4	4
3	G1474A1	Oven Rack 28-1/4 x 38-1/4			1
4	G1426-1	Coreplate 3/4' x 38-3/4" x 28"	1	1	
5	CKG1447-01-8	Steel Hearth Assembly	1		1
6	1010800	Bushing Trunion	2	2	2
7	G1461-1	Hinge Shaft	2	2	2
8	G1833-1-6	Hinge Shaft Support L/H and R/H	2	2	2
9	1244065	Hinge Pin Pad	2	2	2
10	1093000	Pulley	1	1	1
11	G2511-1-8	Pulley Shaft	1	1	1
12	CKG1756-01-8	Pulley Support Assembly	1	1	1
13	G1587-1	Spring	1	1	
	G1007-1	Spring			1
14	G2782-2-8	Spring Adjustment Hook	1	1	1
15*	GF138	Capillary Clip	2	2	2
16	1079000	Chain	1	1	1
17	G01015-2-82	Oven Door Hinge L/H	1	1	
	G01015-2-81	Oven Door Hinge R/H	1	1	
	G01015-1-82	Oven Door Handle End L/H			1
	G01015-1-81	Oven Door Handle Right			1
18	1016701	Oven Door Handle End L/H (No Longer Available)	1	1	1
19	1016720	Oven Door Handle Right (Use G3837-1-8P, No Longer Available)	1	1	1
20	1016702	Oven Door Handle End R/H (No Longer Available)	1	1	1
*	1016703	Oven Door Insulator	2	2	2
*	1120002	Allen Head Cap Screw 1/4-20 X 3	2	2	2
21	1244152	Shoulder Bolt 10 x 24	1	1	1
22	1244091	Fuse Block Support	1	1	
	1244095	Fuse Block Support			1
23	1244092	Catch Support Assembly	1	1	1
24	2671600	Door Strike	1	1	1
25	2671600	Door Catch	1	1	1
26	1244151	Control Panel Hinge	1	1	1
27	1244053	Terminal Cover	1	1	1
28	1244146	Toggle Switch	1	1	1
29	1244052	Terminal Shield	2	2	2
30	1244003	Top Element Hanger	2	2	2
31	1026051	Lamp Bulb	2	2	2
32	113778	Lamp Socket	2	2	2
33	1025800	Vent Cover	2	2	2
34	1244000	Asbestos Gasket	1	1	

\* NOT ILLUSTRATED  
**RECOMMENDED STOCK PARTS**

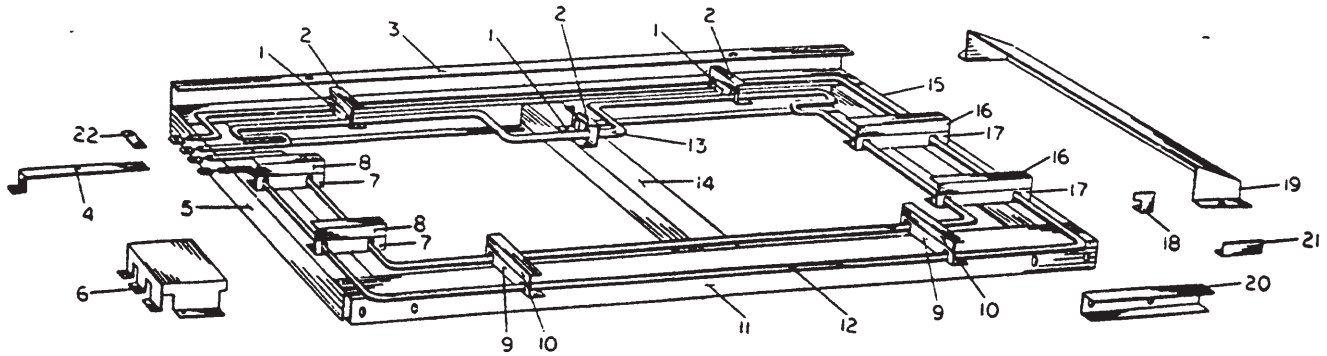
**GARLAND PARTS IDENTIFICATION**  
**E-2000 Series Electric Bake/Roast Deck Ovens**

ITEM	PART #	DESCRIPTION	QUANTITY		
			MODEL		
			E2001	E2000P	E2005
35	1013200	Fuse Block	1	1	
36	1013201	Fuse 6 Amp	2	2	
37	1169700	Terminal Block Porcelain	2	2	2
38	4523164	Switch, 3-Heat, c-CSA-us	2	2	2
	4523165	Switch, 3-Heat, CE	2	2	2
	G2088	Switch, 3-Heat, Hi-Volt	2	2	2
39	1244006	Bottom Element Clip	2	2	2
40	1244039	Spring Angle Bracket	3	3	3
41	1244023	Lower Tie Strap	1	1	1
42	G1035-1	Knob	2	2	2
43	1010300	D1 Thermostat (200° - 500°)	1	1	1
44	1010302	Dial For Above	1	1	1
*	1102701	Bezel For Above	1	1	1
45	1103301	Circuit Breaker 40 Amp	3	3	3
46	G01296-1	Pilot Lamp Assembly Red 250VRound	1	1	1
47	P078090	Timer Dial	1	1	1
48	1025206	Timer Bezel (No Longer Available)	1	1	1
49	1025204	Timer 60 Min	1	1	1
50	1028400	Ground Lug	1	1	1
51	1233900	Terminal Block Porcelain (No Longer Available)	1	1	1
	1250000	Terminal Block Export Only 5 Lug			
52*	CK4526179	Relay Replacement Service Kit, E2000 (incl. Relay 30A P/N2487000, wiring diagrams and fasteners)	1		1
<b>Optional E2001P Pizza Oven Thermostat and Dial Only</b>					
60*	G0895-01	Thermostat Ea5 (300°F - 700°F)		1	
61*	1010307	Dial For Above		1	

\* NOT ILLUSTRATED

**RECOMMENDED STOCK PARTS**

## ***NOTES***



**GARLAND PARTS IDENTIFICATION**  
**E-2000 Series Element Assembly**

ITEM	PART #	DESCRIPTION	MODEL/QUANTITY			
			ELEMENT ASSEMBLY			
			LOWER	UPPER	LOWER	UPPER
			E2001		E2005	
1	1031205	Element Bracket	3	3	3	3
2	1031209	Element Hold in Bracket	3	3	3	3
3	1021200	Front Support	1	1	1	1
4	G1651-1-6	Terminal Bar	3	3	3	3
5	1031203	Side Support R/H	1	1	1	1
6	1244029	Terminal Box	1	1	1	1
7	1031208	Element Bracket	2	2	2	2
8	1031212	Element Hold in Bracket	2	2	2	2
9	1031210	Element Bracket	2	2	2	2
10	1031206	Element Hold in Bracket	2	2	2	2
11	1031201	Rear Support	1	1	1	1
<b>All Element and Element Assemblies below may be used on Ovens built since 1962.</b>						
*	1031299	Element and Frame Assembly - Upper 208V-2600W		1		1
	1031297	Element and Frame Assembly - Upper 236V-2600W		1		1
	1031293	Element and Frame Assembly - Upper 460V-2600W		1		1
	1031298	Element and Frame Assembly - Lower 208V-3600W	1		1	
	1031296	Element and Frame Assembly - Lower 236V-3600W	1		1	
	1031292	Element and Frame Assembly - Lower 460V-3600W	1		1	
12	G1660-2	Element Outer Upper 208V-1300W		1		1
	1031103	Element Outer Upper 236V-1300W		1		1
	G2143-2	Element Outer Upper 460V-1300W		1		1
	G1662-2	Element Outer Lower 208V-2000W	1		1	
	G1662-1	Element Outer Lower 236V-2000W	1		1	
	G2143-5	Element Outer Lower 460V-2000W	1		1	
13	G1661-2	Element Inner Upper 208V-1300W		1		1
	G1661-1	Element Inner Upper 236V-1300W		1		1
	1031110	Element Inner Upper 460V-1300W (No Longer Available)		1		1
	G1663-2	Element Inner Lower 208V-2000W	1		1	
	G1663-1	Element Inner Lower 236V-2000W	1		1	
	1031115	Element Inner Lower 460V-2000W	1		1	
14	1031204	Center Support	1	1	1	1
15	1031202	Side Support L/H	1	1	1	1
16	1031210	Element Hold in Bracket	2	2	2	2
17	1031207	Element Bracket	2	2	2	2
18	1028400	Ground Clamp	2	2	2	2
19	1031214	Baffle		1		1
20	1031213	Support Channel		1		1
21	1021215	Vent Baffle		1		1
22	G1314-1-6	Bus Bar	1	1	1	1
<b>Options E2001P Pizza Oven - Upper Element and Element Assembly are listed below Lower Elements are the same as E2001 Listed above.</b>						
30*	1031291	Element and Frame Assembly - Upper 208V-3300W		1 Each Deck		
	1031290	Element and Frame Assembly - Upper 236V-3300W		1 Each Deck		
31*	G1662-2	Element Outer Upper 208V-2000W		1 Each Deck		
	G1662-1	Element Outer Upper 236V-2000W		1 Each Deck		
32*	G1661-2	Element Inner Upper 208V-2000W		1 Each Deck		
	G1661-1	Element Inner Upper 236V-2000W		1 Each Deck		

\* NOT ILLUSTRATED

**RECOMMENDED STOCK PARTS**

## GARLAND PARTS IDENTIFICATION

### Revision History

REV. #	PAGE #	ITEM #	NOTE	DATE
1			Entire Book Reformatted	Jan 07/05
2	1,3,5,6		Model mislabeled as Gas changed to Electric	Jun 15/06
3	4	4	Item Number Changed Was 1020700, Description Changed	Sep 26/06
4	5-6	3, 5, 7, 11, 12, 13, 14, 15, 17, 18, 19, 20, 24, 25, 31, 33, 38, 42, 46, 47, 48, 51, 60	Revised part numbers based on info on current system. See revision 3 for old part numbers.	Aug 11/14
	6	52	Added part number for service kit (kit created since 2008)	
	9	4, 12, 13, 22, 31, 32	Revised part numbers based on info on current system. See revision 3 for old part numbers.	

## ***NOTES***

 <sup>TM</sup> ***Garland*** <sup>®</sup>