



***GARLAND "G SERIES"  
COUNTER CHIPOTLE***

***Models: G12-2TCG & G24-4TCG***

**PARTS LIST**

Toll Free Phone, (US & Canada): (800) 427-6668

Toll Free Fax, (US & Canada): (800) 361-7745

<http://www.garland-group.com>

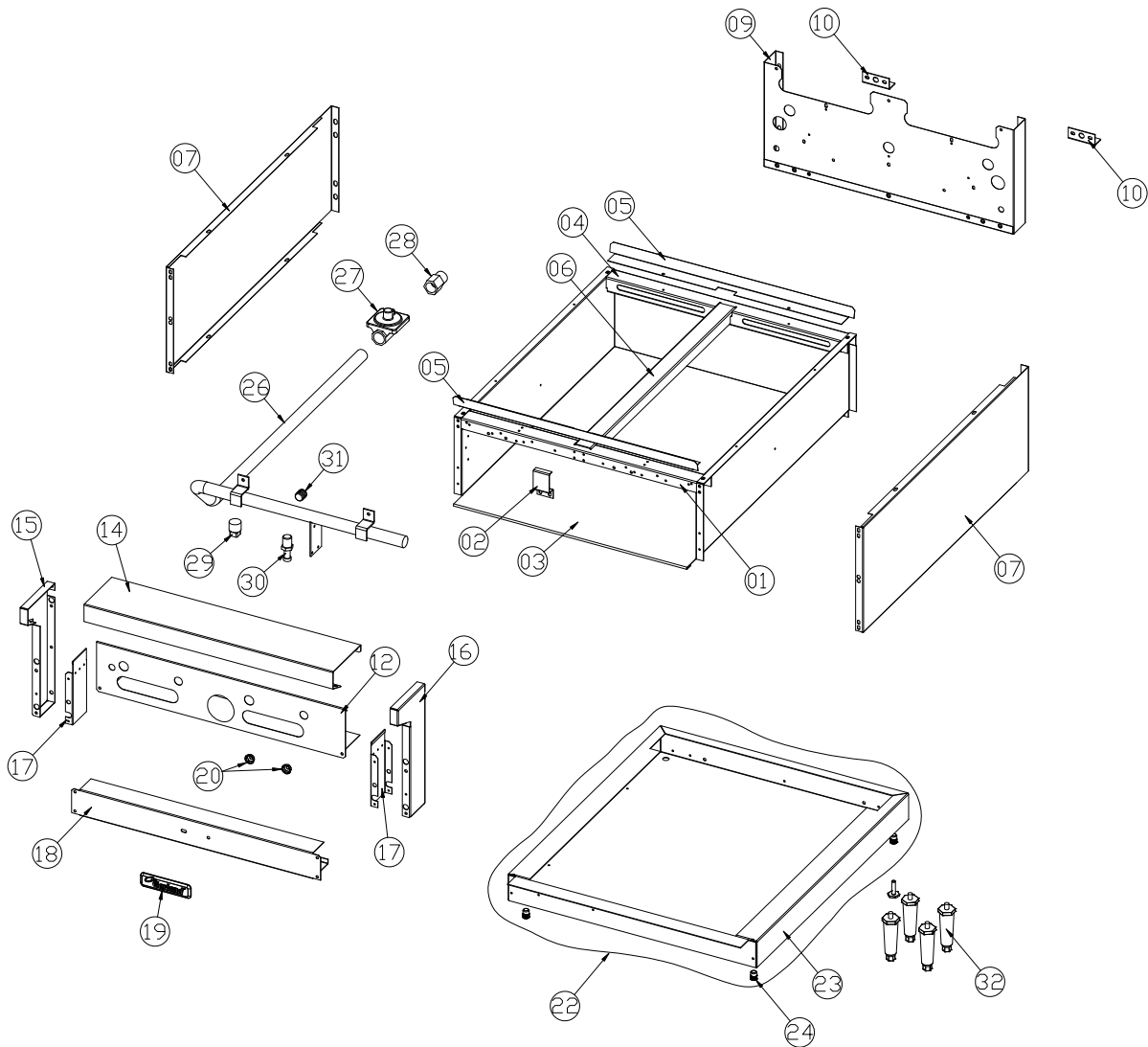




**GARLAND G SERIES COUNTER CHIPOTLE  
MODELS: G12-2TCG & G24-4TCG**

DESCRIPTION	PAGE
Base and Control Panel View	4
Top Burner View	6
High Shelf Section View	8
Revision History	10

24" UNIT SHOWN

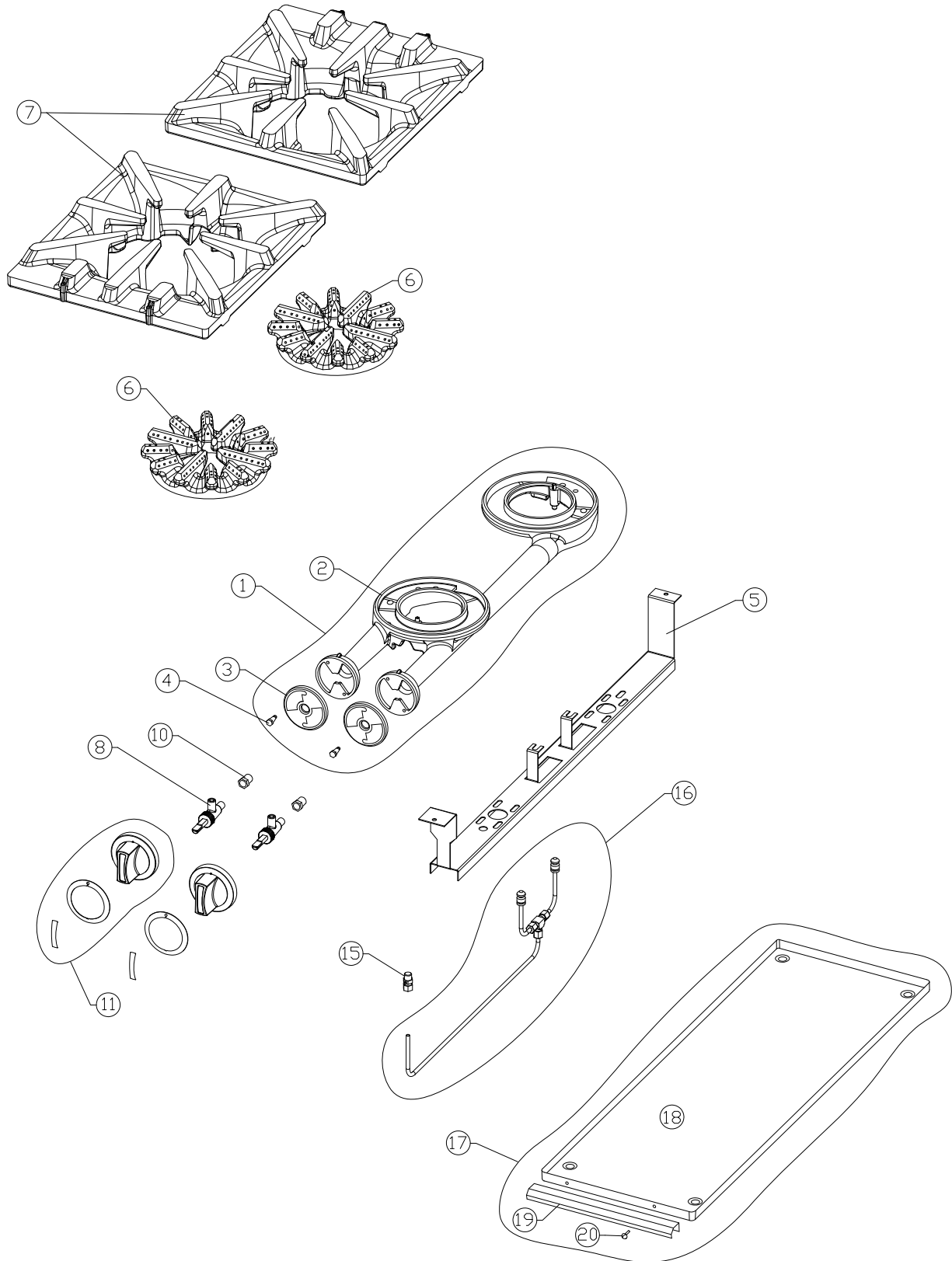


**GARLAND PARTS IDENTIFICATION**  
**GARLAND G SERIES COUNTER CHIPOTLE UNITS - BASE / CONTROL PANEL VIEW SECTION**

ITEM	PART #	DESCRIPTION	G12-2TCG	G24-4TCG	Up To	From	Critical
1	4527961	12" Main Channel Front / Back	2				
	4523184	24" Main Channel Front		1			
2	4523194	Rail Support Bracket	2	1			
3	4527960	12" Burner Box	1				
	4522992	24" Burner Box		1			
4	4525529	24" Main Channel Rear	1	1			
5	4527962	12" Drip Angle	2				
	4523186	24" Drip Angle		2			
6	4523087	Grate Support Rail	X	X			
7	4527946	Body Side LT/RT - T models	2	2			
9	4527957	12" Main Back	1				
	4527939	24" Main Back		1			
10	4524387	Shipping Brackets	2	2			
12	4527953	12" Valve Panel - Standard	1				
	4527934	24" Valve Panel - Standard		1			
14	4527952	12" Plate Rail	1	1			
	4527934	24" Plate Rail					
15	4527943	Garland VP End Cap LT	1	1			
16	4527944	Garland VP End Cap RT	1	1			
17	4527945	Burner Box Filler	2	2			
18	4527956	12" Fascia T Models	1				
	4527938	24" Fascia T Models		1			
19	4523154	Garland Logo Small	1	1			
20	F95	Pal Nut	2	2			
22	4527955	12" Base Assembly	1				
	4527937	24" Base Assembly		1			
23	4527954	12" Base	1				
	4527936	24" Base		1			
24	F610	3/8" Threaded Insert	4	4			
26	4527959	12" Manifold Assembly (without fittings)	1				
	4522561	24" Manifold Assembly (without fittings)		1			
<b>REGULATORS - US/CANADA</b>							
27	2127502	<b>Regulator - Natural Gas 4.5" WC</b>	1	1			C
	2127500	<b>Regulator - Propane Gas 10" WC</b>					C
29	G01747-3	3/8" NPT Pipe Plug	1	1			
30	G02251-1	Pressure Test Spigot	1	1			
31	2203400	1/8" NPT Pipe Plug (QTY varies with top configuration)	X	X			
32	078109-2	4" Adjustable Legs (Optional)	4	4			

\* NOT ILLUSTRATED

**RECOMMENDED STOCK PARTS**

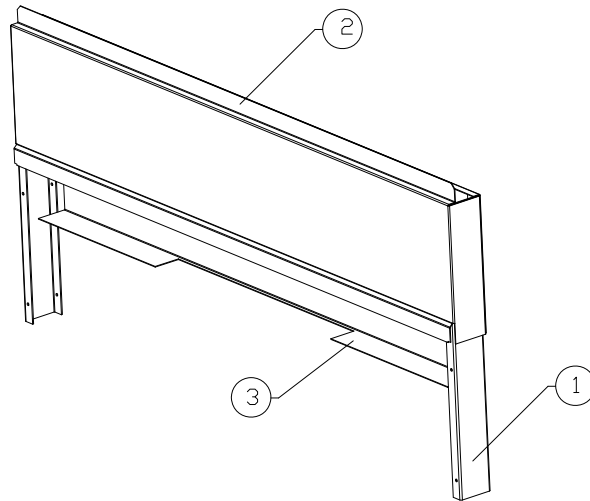


**GARLAND PARTS IDENTIFICATION**  
**GARLAND G SERIES COUNTER CHIPOTLE UNITS - OPEN TOP VIEW SECTION**

ITEM	PART #	DESCRIPTION	12" Open Top Section	24" Open Top Section	Critical
1	4522264	Dual Housing Base Assembly	1	2	
2	4522265	Dual Venturi Housing	1	2	
3	4522266	Air Shutter - Open Top	2	4	
4	F43	10-24 x 3/8" Hex Washer Head Screw	2	4	
5	4523090	Open Top Burner Rest	1	2	
6	4522270	Star Burner Head - Garland	2	4	
7	4523696	Garland Top Grate	2	4	
8	26878XX	<b>Open Burner Valve</b>	2	4	C
10	M8-36	<b>Garland Open Top Orifice Natural Gas #36</b>	2	4	C
	M8-53	<b>Garland Open Top Orifice Propane Gas #53</b>	2	4	C
11	4524670	<b>Knob Assembly</b>	2	4	C
15	1086597	Pilot Gum Valve	1	2	
16	4523127	Open Top Pilot Tube Assembly	1	2	
17	CK4527965	Crumb Tray Assembly Match CG	1	2	
18	4527963	Crumb Tray	1	2	
19	4527964	Crumb Tray Trim	1	2	
20	F554	Rivet .125" Dia. SS	2	4	

\* NOT ILLUSTRATED

**RECOMMENDED STOCK PARTS**



**GARLAND PARTS IDENTIFICATION**  
**GARLAND G SERIES COUNTER CHIPOTLE UNITS - HIGH SHELF SECTION VIEW**

ITEM	PART #	DESCRIPTION	QTY	Critical
1	<a href="#">4527929</a>	Low Profile Back Guard Upright	1	
2	<a href="#">4527930</a>	12" Low Guard Back Panel	1	
	4527932	24" Low Guard Back Panel		
3	<a href="#">4527931</a>	12" Low Guard Back Panel S/S	1	
	4527933	24" Low Guard Back Panel S/S		

\* NOT ILLUSTRATED

***RECOMMENDED STOCK PARTS***

## GARLAND PARTS IDENTIFICATION

### Revision History

REV. #	PAGE #	ITEM #	NOTE	DATE
			New Book	May 20/10



 **Garland**<sup>®</sup>