



# U.S. Range®

## Regal Series Infra-Red Cheesemelter

*models*

**IRCMA-24/36/48/60/72**

**With Serial# From 1109100100725**



## PARTS LIST

### Parts & Service

**P** (USA & Canada): 1 800 427 6668

**F** (USA & Canada): 1 800 361 7745

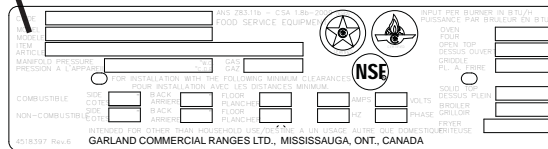
[www.Garland-Group.com](http://www.Garland-Group.com)

Garland Commercial Ranges, Ltd.  
1177 Kamato Road  
Mississauga, Ontario L4W 1X4 Canada  
[www.Garland-Group.com](http://www.Garland-Group.com)

General Inquiries 905 624 0260  
General Fax 905 624 5669

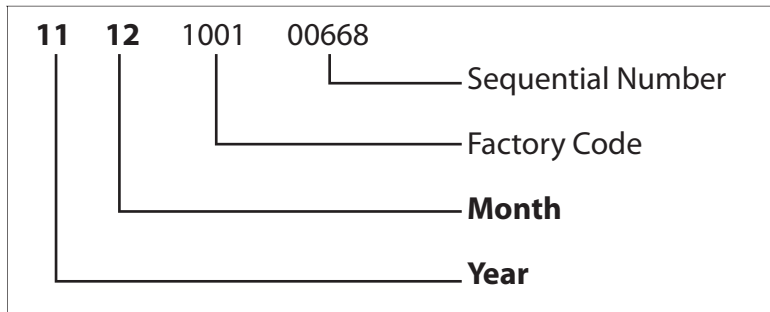


# Rating Plate Location



# Serial# - Year/Month Information

The Serial Number is **13 Digits** long and is stamped on the Rating Plate.  
See "Rating Plate Location".





**Regal Series Infra-Red  
Cheesemelter**

*models*

**IRCMA-24/36/48/60/72**

**With Serial# From 1109100100725**

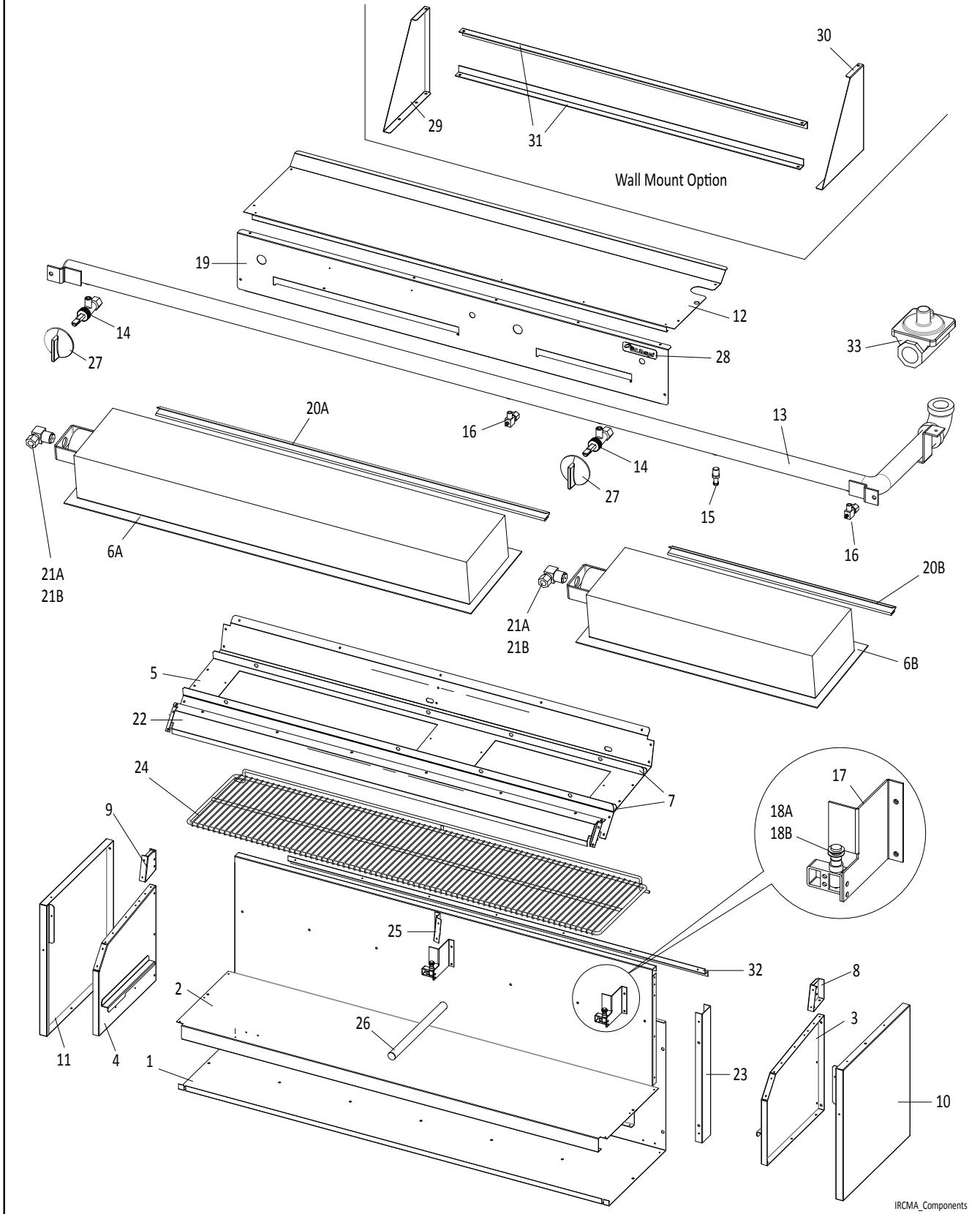
---

**Contents**

Rating Plate Location / Serial# Information .....2  
Components .....4  
Revision History .....7

This parts list is updated regularly. Please find the most current revision on our website @ [www.Garland-Group.com](http://www.Garland-Group.com)

**COMPONENTS**



**U.S.RANGE PARTS IDENTIFICATION**  
**Regal Series Infra-Red Cheesemelter**  
*models IRCMA-24/36/48/60/72*

**COMPONENTS**

| ITEM | PART #                   | DESCRIPTION                                 | QTY |    |    |    |    | CRITICAL |
|------|--------------------------|---------------------------------------------|-----|----|----|----|----|----------|
|      |                          |                                             | 24  | 36 | 48 | 60 | 72 |          |
| 1    | 4529301                  | Back And Bottom 24                          | 1   |    |    |    |    |          |
|      | <a href="#">4529302</a>  | Back And Bottom 36                          |     | 1  |    |    |    |          |
|      | 4529303                  | Back And Bottom 48                          |     |    | 1  |    |    |          |
|      | 4529304                  | Back And Bottom 60                          |     |    |    | 1  |    |          |
|      | <a href="#">4529305</a>  | Back And Bottom 72                          |     |    |    |    | 1  |          |
| 2    | 4529316                  | Inside Body Assembly 24                     | 1   |    |    |    |    |          |
|      | 4529317                  | Inside Body Assembly 36                     |     | 1  |    |    |    |          |
|      | 4529318                  | Inside Body Assembly 48                     |     |    | 1  |    |    |          |
|      | 4529319                  | Inside Body Assembly 60                     |     |    |    | 1  |    |          |
|      | 4529320                  | Inside Body Assembly 72                     |     |    |    |    | 1  |          |
| 3    | 4529366                  | Inner Side Assembly Right                   | 1   | 1  | 1  | 1  | 1  |          |
| 4    | 4529367                  | Inner Side Assembly Left                    | 1   | 1  | 1  | 1  | 1  |          |
| 5    | 4529323                  | Inner Top 24                                | 1   |    |    |    |    |          |
|      | 4529324                  | Inner Top 36                                |     | 1  |    |    |    |          |
|      | 4529325                  | Inner Top 48                                |     |    | 1  |    |    |          |
|      | 4529326                  | Inner Top 60                                |     |    |    | 1  |    |          |
|      | 4529327                  | Inner Top 72                                |     |    |    |    | 1  |          |
| 6A   | <a href="#">222106-2</a> | IR Burner 27-1/4 x 6-3/4                    |     | 1  |    | 1  |    |          |
| 6B   | <a href="#">222105-2</a> | IR Burner 15-1/2 x 5-1/2                    | 1   |    | 2  | 1  | 3  |          |
| 7    | 4529328                  | Inner Top Stiffener 24                      | 2   |    |    |    |    |          |
|      | <a href="#">4529329</a>  | Inner Top Stiffener 36                      |     | 2  |    |    |    |          |
|      | 4529330                  | Inner Top Stiffener 48                      |     |    | 2  |    |    |          |
|      | 4529331                  | Inner Top Stiffener 60                      |     |    |    | 2  |    |          |
|      | 4529332                  | Inner Top Stiffener 72                      |     |    |    |    | 2  |          |
| 8    | 4529335                  | Side Filler Top Right                       | 1   | 1  | 1  | 1  | 1  |          |
| 9    | 4529336                  | Side Filler Top Left                        | 1   | 1  | 1  | 1  | 1  |          |
| 10   | 4529333                  | Body Side Right                             | 1   | 1  | 1  | 1  | 1  |          |
| 11   | 4529334                  | Body Side Left                              | 1   | 1  | 1  | 1  | 1  |          |
| 12   | 4529337                  | Main Top 24                                 | 1   |    |    |    |    |          |
|      | 4529338                  | Main Top 36                                 |     | 1  |    |    |    |          |
|      | 4529339                  | Main Top 48                                 |     |    | 1  |    |    |          |
|      | 4529340                  | Main Top 60                                 |     |    |    | 1  |    |          |
|      | 4529341                  | Main Top 72                                 |     |    |    |    | 1  |          |
| 13   | 4529342                  | Manifold Assembly 24                        | 1   |    |    |    |    |          |
|      | <a href="#">4529343</a>  | Manifold Assembly 36                        |     | 1  |    |    |    |          |
|      | 4529344                  | Manifold Assembly 48                        |     |    | 1  |    |    |          |
|      | 4529345                  | Manifold Assembly 60                        |     |    |    | 1  |    |          |
|      | 4529346                  | Manifold Assembly 72                        |     |    |    |    | 1  |          |
| 14   | <a href="#">227005</a>   | Gas Valve, 1/8 NPT - 3/8 Tubing             | 1   | 1  | 2  | 2  | 3  | C        |
| 15   | <a href="#">G02251-1</a> | Pressure Test Spigot                        | 1   | 1  | 1  | 1  | 1  |          |
| 16   | <a href="#">G03674-2</a> | 3/16 90deg Gum Valve                        | 1   | 1  | 2  | 2  | 3  |          |
| 17   | <a href="#">4529347</a>  | Pilot Bracket                               | 1   | 1  | 2  | 2  | 3  |          |
| 18A  | <a href="#">227041</a>   | <b>Pilot</b>                                | 1   | 1  | 2  | 2  | 3  | C        |
| 18B  | <a href="#">223180</a>   | <b>Pilot Orifice 0.021, for Natural Gas</b> | 1   | 1  | 2  | 2  | 3  | C        |
|      | <a href="#">223183</a>   | <b>Pilot Orifice 0.012, for Propane Gas</b> | 1   | 1  | 2  | 2  | 3  | C        |

\* NOT ILLUSTRATED

**RECOMMENDED STOCK PARTS**

**U.S.RANGE PARTS IDENTIFICATION**  
**Regal Series Infra-Red Cheesemelter**  
*models IRCMA-24/36/48/60/72*

**COMPONENTS**

| ITEM | PART #     | DESCRIPTION                       | QTY |    |    |    |    | CRITICAL |
|------|------------|-----------------------------------|-----|----|----|----|----|----------|
|      |            |                                   | 24  | 36 | 48 | 60 | 72 |          |
| 19   | 4529348    | Valve Cover 24                    | 1   |    |    |    |    |          |
|      | 4529349    | Valve Cover 36                    |     | 1  |    |    |    |          |
|      | 4529350    | Valve Cover 48                    |     |    | 1  |    |    |          |
|      | 4529351    | Valve Cover 60                    |     |    |    | 1  |    |          |
|      | 4529352    | Valve Cover 72                    |     |    |    |    | 1  |          |
| 20A  | 253339-2   | Z-Bracket, Burner Seal Large      |     | 1  |    | 1  |    |          |
| 20B  | 253339-1   | Z-Bracket, Burner Seal Small      | 1   |    | 2  | 1  | 3  |          |
| 21A  | 227097     | <b>90 Orifice Elbow</b>           | 1   | 1  | 2  | 2  | 3  | C        |
| 21B  | 227059-39  | <b>Orifice, Natural Gas</b>       |     | 1  |    | 1  |    | C        |
|      | 227059-46  | <b>Orifice, Natural Gas</b>       | 1   |    | 2  | 1  | 3  | C        |
|      | 227059-52  | <b>Orifice, Propane Gas</b>       |     | 1  |    | 1  |    | C        |
|      | 227059-55  | <b>Orifice, Propane Gas</b>       | 1   |    | 2  | 1  | 3  | C        |
| 22   | 4529358    | Inside Cover Front 24             | 1   |    |    |    |    |          |
|      | 4529359    | Inside Cover Front 36             |     | 1  |    |    |    |          |
|      | 4529360    | Inside Cover Front 48             |     |    | 1  |    |    |          |
|      | 4529361    | Inside Cover Front 60             |     |    |    | 1  |    |          |
|      | 4529362    | Inside Cover Front 72             |     |    |    |    | 1  |          |
| 23   | 4529363    | Back Channel                      | 2   | 2  | 2  | 2  | 2  |          |
| 24   | 226004     | Wire Rack 24in IRCM               | 1   |    |    |    |    |          |
|      | 226010     | Wire Rack 36in IRCM               |     | 1  |    |    |    |          |
|      | 226005     | Wire Rack 48in IRCM               |     |    | 1  |    |    |          |
|      | 226011     | Wire Rack 60in IRCM               |     |    |    | 1  |    |          |
|      | 226006     | Wire Rack 72in IRCM               |     |    |    |    | 1  |          |
| 25   | 4529368    | Center Support                    |     |    | 1  | 1  | 1  |          |
| 26   | 4529370    | Centre Support Pipe Assembly      | 1   |    |    | 1  | 1  |          |
| 27   | 4522137    | Blade Knob                        | 1   | 1  | 2  | 2  | 3  |          |
| 28   | 4529727    | US Range Logo, Small              | 1   |    |    |    |    |          |
| 29   | 4529374    | Wall Mount Bracket IRCM, Left     | 1   | 1  | 1  | 1  | 1  |          |
| 30   | 4529373    | Wall Mount Bracket IRCM, Right    | 1   | 1  | 1  | 1  | 1  |          |
| 31   | 4529375    | Wall Mount Angle 24               | 2   |    |    |    |    |          |
|      | G01467-2-5 | Wall Mount Angle 36               |     | 2  |    |    |    |          |
|      | 4529376    | Wall Mount Angle 48               |     |    | 2  |    |    |          |
|      | 4529377    | Wall Mount Angle 60               |     |    |    | 2  |    |          |
|      | 4529378    | Wall Mount Angle 72               |     |    |    |    | 2  |          |
| 32   | 4529353    | Body Support Rear 24              | 1   |    |    |    |    |          |
|      | 4529354    | Body Support Rear 36              |     | 1  |    |    |    |          |
|      | 4529355    | Body Support Rear 48              |     |    | 1  |    |    |          |
|      | 4529356    | Body Support Rear 60              |     |    |    | 1  |    |          |
|      | 4529357    | Body Support Rear 72              |     |    |    |    | 1  |          |
| 33   | 2127502    | Regulator, Natural Gas, 4.5" W.C. | 1   | 1  | 1  | 1  | 1  | C        |
|      | 2127500    | Regulator, Propane Gas, 10" W.C.  | 1   | 1  | 1  | 1  | 1  | C        |

\* NOT ILLUSTRATED

**RECOMMENDED STOCK PARTS**

**REVISION HISTORY (IRCMA)**

| <b>REV</b> | <b>PAGE#</b> | <b>ITEM#</b> | <b>NOTES</b>                                                | <b>DATE</b> |
|------------|--------------|--------------|-------------------------------------------------------------|-------------|
| 0          |              |              | New parts list for models built from serial# 1109100100725. | FEB 26/13   |



**Regal Series Infra-Red Cheesemelter — IRCMA Parts List**

---

Garland Commercial Ranges, Ltd.  
1177 Kamato Road  
Mississauga, Ontario L4W 1X4 Canada  
[www.Garland-Group.com](http://www.Garland-Group.com)

Parts & Service  
1 800 427 6668 (Phone, US & Canada)  
1 800 361 7745 (Fax, US & Canada)

