

# Master Series

## Full Size Electric Convection Ovens

---

### Parts List

**MCO-ES-10, MCO-ES-20**

**MCO-ED-10, MCO-ED-20**

**MCO-ES-10S, MCO-ES-20S**

**MCO-ED-10S, MCO-ED-20S**

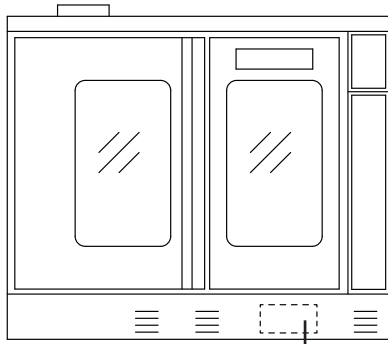
from (serial#) 0004CJ0001

(date) 01-April-2000



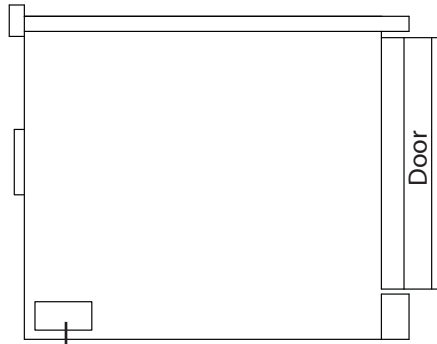
# Rating Plate Location

Units Built **UPTO 31-MAR-2011**



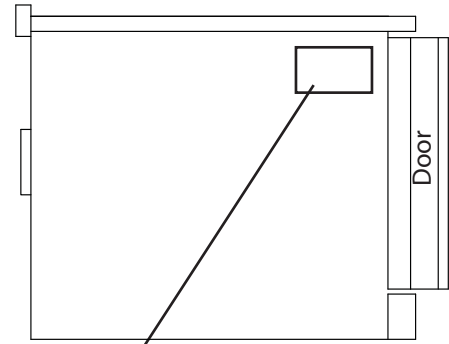
Rating Plate  
(On the Inside of Lower Front Cover)

Units Built **FROM 01-APR-2011**  
**UP TO 02-FEB-2015**



Rating Plate  
(Left Body Side Panel)

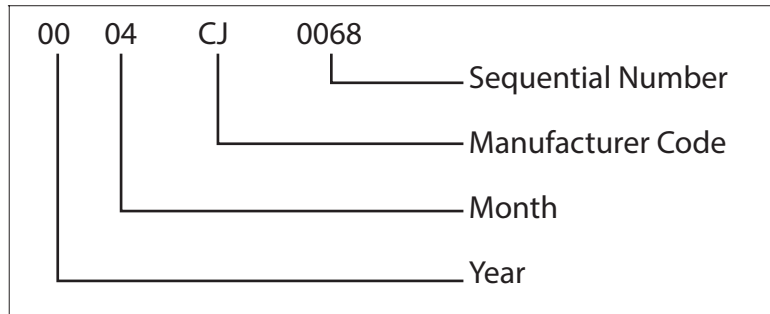
Units Built **FROM 02-FEB-2015**



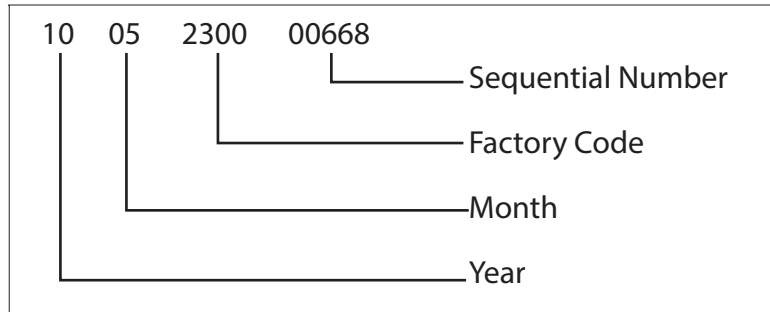
Rating Plate  
(Left Body Side Panel)

## Serial# (Year/Month Information)

**10 Digits** Serial Number:



**13 Digits** Serial Number:

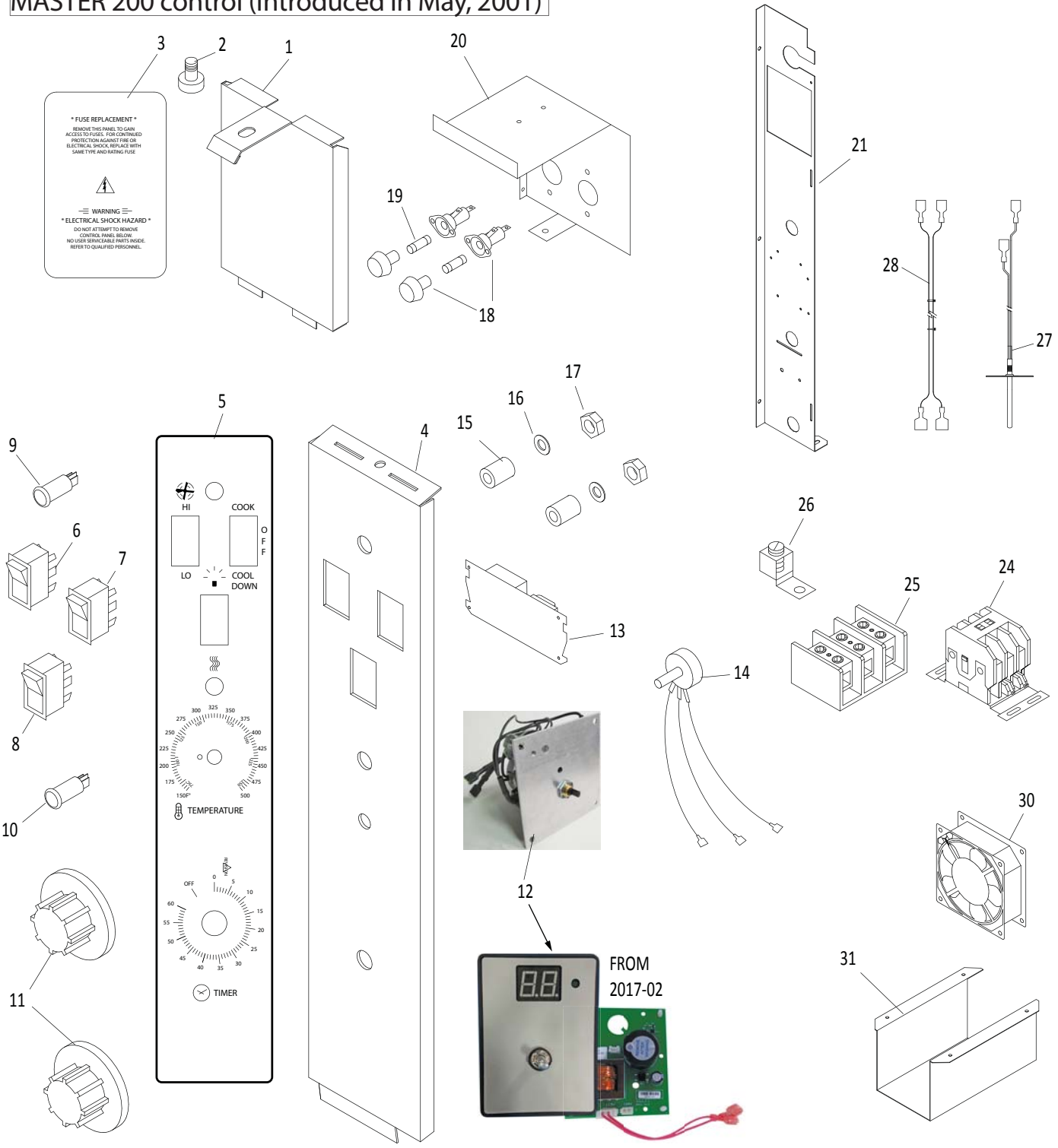


# Table of Contents

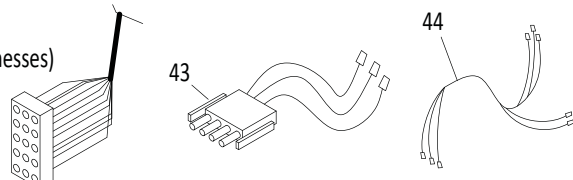
Rating Plate Location / Serial Number Information .....	2
Master 200 Manual Control - Control Panel & Components .....	4
Master 300 / 410 / 470 / 475 Control Panels & Components.....	6
Digital Controller Kits - Replacement Kits / Cooling Kits .....	10
Master 450 / 455 (FASTRON) Digital Control Panels & Components .....	12
Master 450 / 455 (ELREHA) Digital Control Panels & Components.....	16
Door Components & Assemblies (for units manufactured UP TO 14-APRIL-2005) .....	20
Door Components & Assemblies (for units manufactured FROM 14-APRIL-2005) .....	24
Oven Components .....	28
Exterior Components .....	32
List of Wiring Diagrams & Available Kits .....	34
Critical & Recommended Stock Parts List .....	35
Related Bulletins .....	36
Revision History.....	36

**MASTER 200 CONTROL PANEL & COMPONENTS**

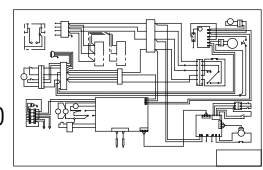
**MASTER 200 control (Introduced in May, 2001)**



40 - 44  
(Wire Harnesses)



(Wiring Diagrams)



IM200 Control & Components - Electric

**GARLAND Master 200 Full Size Electric Convection Ovens**  
models MCO-ES/ED-10S/20S

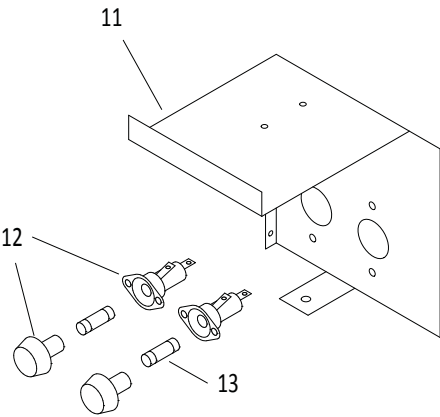
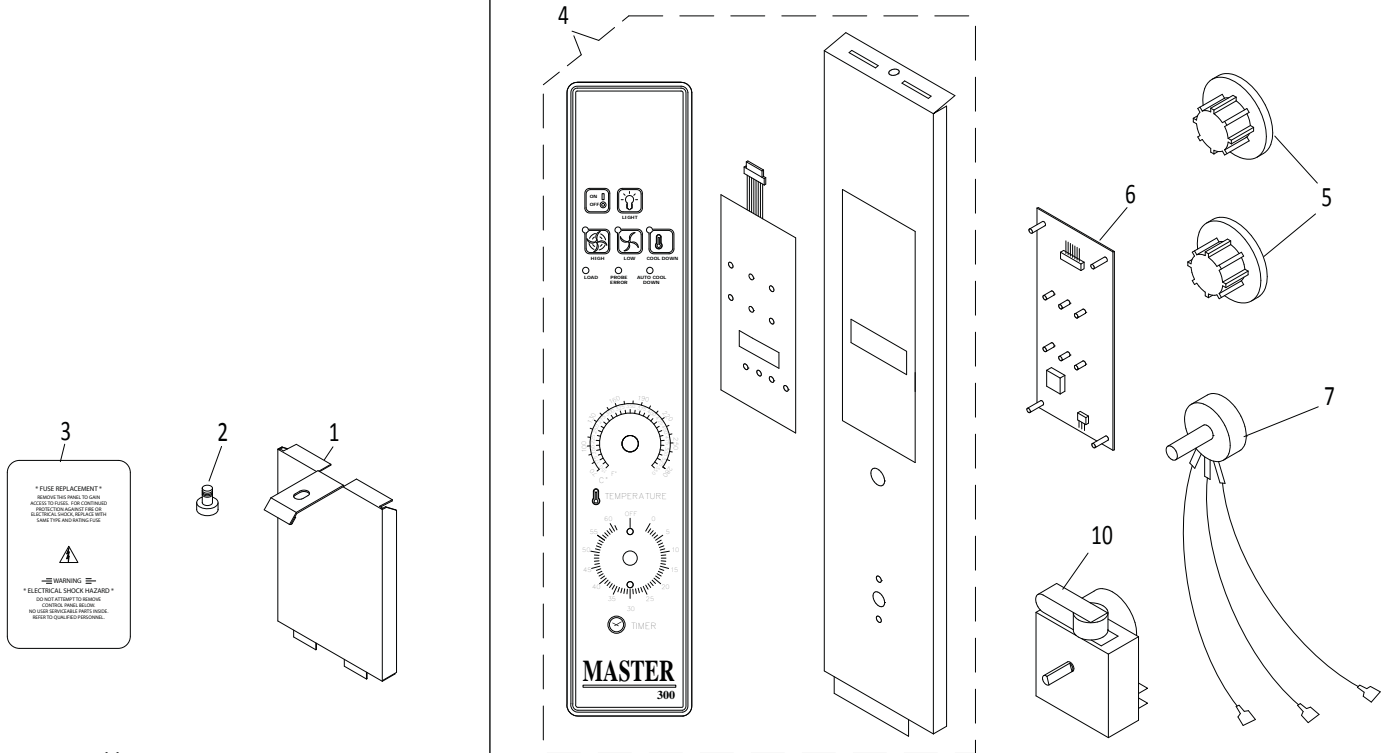
**MASTER 200 MANUAL CONTROL PANEL & COMPONENTS (FROM MAY-2001)**

ITEM	PART #	DESCRIPTION	QTY	FROM DATE	UP TO DATE	CRITICAL
1	1918501	Cover - Upper Control Panel, SS	1			
2	GF297	Slotted Thumb Screw 10-24 x 1/2"	1			
3	1933511	Overlay - Top Control Panel, Electric (black)	1			
	115269	Overlay - Top Control Panel, Electric (silver/gray)	1			
4	1946690	Control Panel Mechanical	1			
5	1908526	Overlay - IM200 Manual Control (black)	1			
	115260	Overlay - IM200 Manual Control (silver/gray)	1			
6	1955402	Rocker Switch - 2 Positions, Hi/Low	1			C
7	1955401	<b>Rocker Switch - 3 Positions, Cook/Off/CoolDown</b>	1			C
8	1955403	Momentary Rocker Switch	1			C
9	1936102	Indicator Lamp - Green 250V	1			
10	1936104	Indicator Lamp - Amber 250V	1			
11	1765802	Fluted Knob with two Set Screws	2			
12	CK11000301072	TIMER; COMPLETE; 230V Conversion; DIGITAL; 90 MIN (for 208V, 240V, 460V ovens, gas/electric). Was 1956002. Bulletin GAR_SB_0049	1	2017-02		C
13	300867	<b>Power Control Board - Solid State Controller, 150-500 deg F</b> <b>Note:</b> Related Bulletin - GAR-03-12-AIC.	1			C
14	1955601	<b>Potentiometer</b>	1			C
15	1955701	Nylon Standoff - 1/4 x 1/2 x 1	2			
16	1955801	Teflon Washer - 7/16 OD	2			
17	8001502	Nut with Lockwasher - 6-32 Kep, Zinc	2			
18	1130102	Fuse Holder	2			
	1130100	Fuse Holder (460V ONLY)	2			
19	1130103	<b>Fuse - 20A 208/240V</b>	2			C
	1130109	<b>Fuse - 15A 600V Class CC</b>	2			C
20	1918989	Bracket - Fuse Mount	1			
21	1926001	Panel - Right Side, Mid	1			
24	1637002	Main Contactor - 240V Coil <b>Note:</b> Used FROM: serial# 0106CJ0401 or units with 13-digits serial#. (Ref: original - mercury contactor 9005400)	1	JUN/01		C
25	1193900	Terminal Block - 3 Pole, High Voltage	1			C
26	1028402	Ground Lug - 208/240V	1			
27	1906002	Probe - RTD, Flange Mount (USE ONLY WITH 1906003)	1			C
28	1906003	Cable Assembly - Probe Extension (USE ONLY WITH 1906002)	1			C
29*	1033700	460V Transformer 2KVA 50/60Hz (460V ONLY)	1			
30	1671101	Cooling Fan 208 / 240 V <b>Note:</b> For Fan Installation, refer to Service Bulletin B-97-2009-S.	1			C
31	1918001	Air Exhaust Duct - Standard Depth	1			
	1918002	Air Exhaust Duct - Deep	1			
40*	1949576	Wire Harness - Mechanical Control Panel (Ref: original 1949576)	1	JULY/11		
41*	1949585	Wire Harness - Electric Elements	1			
42*	1949584	Wire Harness - 460V Transformer	1			
43	1949579	Wire Harness - Lights	1			
44	1949589	Wire Harness - Electrics	1			
50*	1949515	Wiring Diagram - 460V 60 Hz	1			
	1949514	Wiring Diagram - 208/240V Electric Mechanical	1			
<b>Note:</b> Diagram part#s listed For Reference Only. Please contact Technical Service for assistance.						
51*	4522523	Conversion Kit - from Digital to Manual Controller <b>FOR MCO with FASTRON Controller</b> <b>Note:</b> Kit includes items 4, 5, 6, 7, 8, 9, 10, 11, 12, 13, 14, 15, 16, 17, 40, door micro-switch (4519715), switch harness(1949575), transition harness(4522524), wiring diagrams (4522526, 4518907), and instructions.				

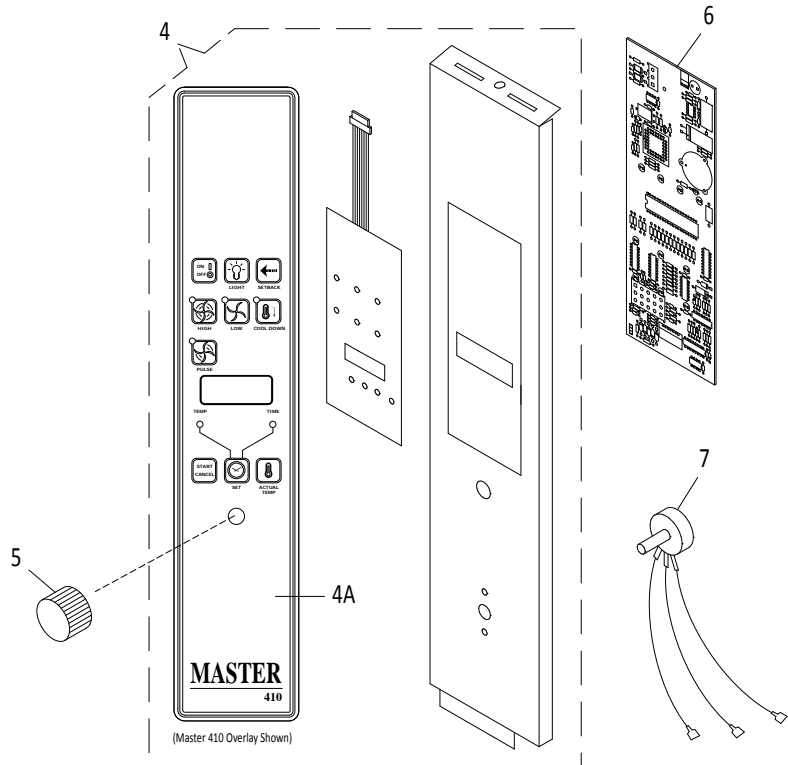
\* NOT ILLUSTRATED

**RECOMMENDED STOCK PARTS**

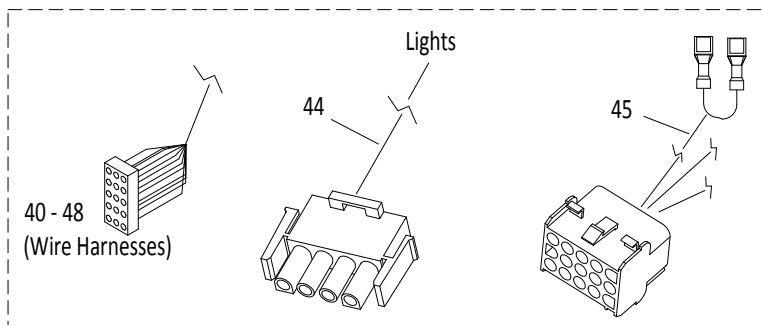
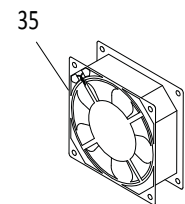
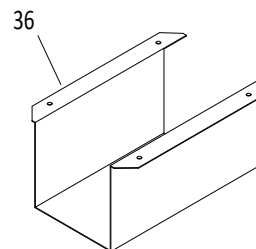
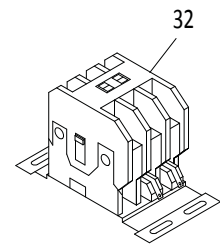
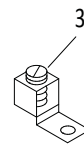
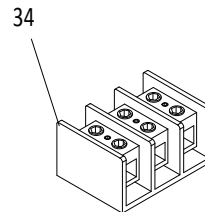
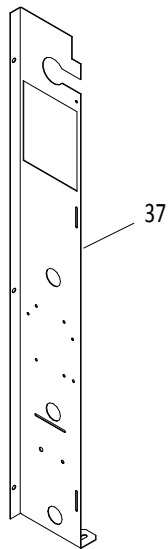
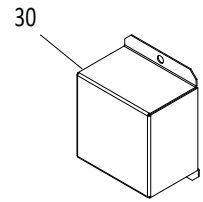
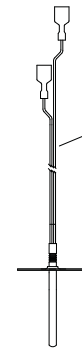
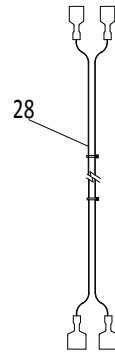
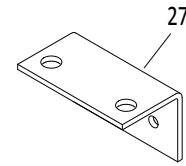
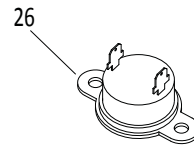
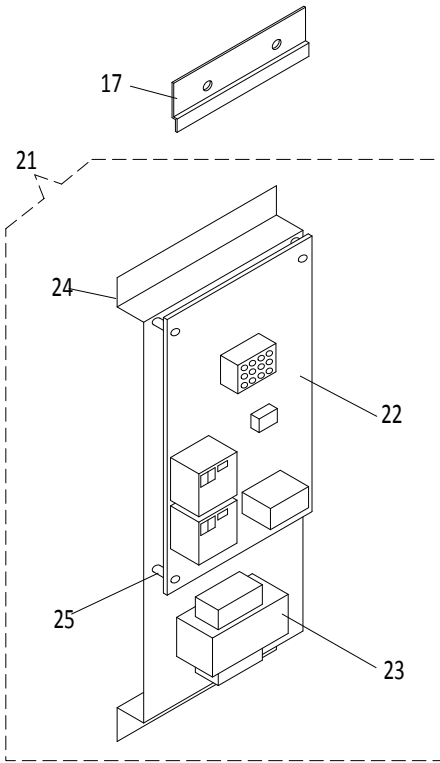
### 300 Series Control (FROM Mar-1999 TO Mar-2003)



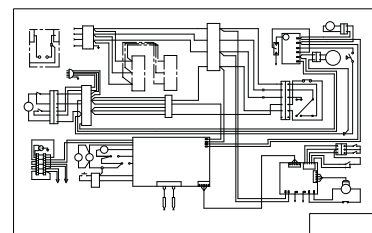
### 410 Series Control (Introduced in March, 1999. Obsolete Model.) 470/475 Series (FROM Apr-2000 TO 2009)



## CONTROL PANELS & COMPONENTS (2 of 2)



50 (Wiring Diagrams)



**GARLAND Master 300/410/470/475 Full Size Electric Convection Ovens**  
models MCO-ES/ED-10/20

**(OBSOLETE) MASTER 300 / 410 / 470 / 475  
CONTROLS PANELS & COMPONENTS**

ITEM	PART #	DESCRIPTION	QTY	FROM DATE	UP TO DATE	CRITICAL
1	1918501	Cover - Upper Control Panel, SS	1			
2	GF297	Slotted Thumb Screw #10-24 x 1/2"	1			
3	1933511	Overlay - Top Control Panel, Electric MCO, black	1			
	115269	Overlay - Top Control Panel, Electric MCO, silver/gray	1			
	1908522	Overlay - Top Control Panel, Electric MCO ( <b>Olive Garden</b> )	1	NLA	NLA	
4	1952893	IM300 Replacement Panel - 300L Keypad, with Light	1			
	CK1952894	IM300 Replacement Panel - 300N Keypad, without Light	1			
	1952899	IM410 Replacement Panel	1			
	1952896	IM470 Replacement Panel	1			
	1952895	IM475 Replacement Panel (Limited stock. NLA when out of stock)	1			
<b>Note:</b> Keypad and S/S Panel are not field replaceable.						
4A	1908513	Overlay - IM300, with Light	1			
	1908514	Overlay - IM300, without Light	1			
	1908501	Overlay - IM410	1			
5	1765802	Fluted Knob with two Set Screws (IM300 ONLY)	2			
	1720502	Fast Control Knob	1			
6	1905701	IM300 Digital Control Board <b>Note: Use Conversion Kit 4522523.</b> For a list of components in this Kit, see Master 200 Manual Control (p.5, item 51). Ref: Bulletin# GAR-02-14-AC.	1	NLA	NLA	C
	1905702	IM410 Digital Control Board <b>Note: Use Conversion Kit 4522523.</b> For a list of components in this Kit, see Master 200 Manual Control (p.5, item 51). Ref: Bulletin# GAR-02-14-AC.	1	NLA	NLA	C
	4514192	IM470 Digital Control Board ( <b>OBSOLETE</b> )	1	NLA	NLA	C
	1905708	IM475 Digital Control Board	1	NLA	NLA	
	1911801	IM300 Potentiometer (IM300 ONLY)	1			
7	1911601	Potentiometer / Encoder	1			
	1285701	IM300 - Timer - 1 Hour, 230V	1		FEB/07	
	1956002	IM300 - Timer - 1 Hour, 240V, with Alarm	1	FEB/07		C
10	1956001	IM300 - Timer - 1 Hour, 115V, with Alarm ( <b>Olive Garden</b> )	1			
11	1918989	Fuse Mounting Bracket	1			
12	1130102	Fuse Holder	2			
	1130100	Fuse Holder ( <b>460V MCO ONLY</b> )	2			
13	1130109	<b>Fuse - 15A 600V Class CC</b>	2			C
	1130103	<b>Fuse - 20A 300V SC-20</b>	2			C
14*	1955703	Nylon Standoff - 1/4 dia x 9/16 long	2 TO 6			
15*	8003123	MSCR-TH-Phil 10-24 x 5/8	2 TO 8			
16*	8001502	Nut with Lockwasher - 6-32 Kep, Zinc	2 TO 6			
17	1911301	Relay Bracket Slide	2			
21	S113851	Relay Board Assembly - 208/240V <b>Note:</b> Assembly includes items 22, 23 (part# 1917198), 24, 25.	1			C
22	1916901	Relay Board PCB Assembly	1			C
23	1917198	Transformer - 208/240V to 24VAC	1			C
23A*	1033700	Transformer - 460V 2KVA 50/60Hz ( <b>460V MCO ONLY</b> )	1			C

\* NOT ILLUSTRATED

**RECOMMENDED STOCK PARTS**

**NLA = No Longer Available**

**GARLAND Master 300/410/470/475 Full Size Electric Convection Ovens**  
models MCO-ES/ED-10/20

**(OBSOLETE) MASTER 300 / 410 / 470 / 475  
CONTROLS PANELS & COMPONENTS**

ITEM	PART #	DESCRIPTION	QTY	FROM DATE	UP TO DATE	CRITICAL
24	1916801	Bracket - Relay Board Assembly	1			
25	1767901	Nylon Spacers	4			
26	<b>1955101</b>	<b>Switch - Thermal Disc, Cooling Fan</b>	1			C
27	1910901	Bracket - Hi Limit or Thermal Disc	1			
28	1906003	Cable Assembly - Probe Extension <b>(USE ONLY WITH 1906002)</b>	1			C
29	1906002	Probe - RTD, Flange Mount <b>(USE ONLY WITH 1906003)</b>	1			C
30	1916301	Cover - Probe Connector	1			
31	1028402	Ground Lug	1			
32	1637002	Contactors - 240V Coil <b>Note:</b> Used <b>FROM</b> serial# 0106CJ0400. (Ref: original - mercury contactor <b>9005400</b> )	1	JUNE/01		
34	1193900	Terminal Block - 3 Pole - for 208/240V	1			C
		Terminal Block - 3 Pole - for 380/415V	2			C
	4516982	Terminal Block - 10mm	1			C
35	1671101	Cooling Fan 208 / 240 V <b>Note:</b> For Fan Installation, refer to Service Bulletin B-97-2009-S.	1			C
36	1918001	Air Exhaust Duct - Standard Depth	1			
	1918002	Air Exhaust Duct - Deep	1			
37	1926001	Panel - Right Side, Mid	1			
40*	1804728	Harness - MCO Main	1		JULY/01	
41*	1949589	Harness - Electric	1	JULY/01		
42*	1949585	Harness - Electric Elements	1	JULY/01		
43*	1949584	Harness - 460V Transformer <b>(460V MCO ONLY)</b>	1	JULY/01		
44	1949579	Harness - Lights	1	JULY/01		
45	1949578	Harness - Fast Relay Board	1	JULY/01		
46*	1905901	Harness - Control to Relay	1			
48*	1804710	Harness - <b>Arby</b> Electric	1	<b>NLA</b>	JUNE/01	
	1949586	Harness - <b>Arby</b> Electric, 208/240V	1	JULY/01		
50*	1949504	Wiring Diagram - Fast Electric 208/240V	1			
	1949505	Wiring Diagram - Fast Electric 460V 60Hz	1			
	1949506	Wiring Diagram - Fast Electric 380/415V 50Hz	1			
<b>Note:</b> Diagram part#s listed For Reference Only. Please contact KitchenCare for assistance.						

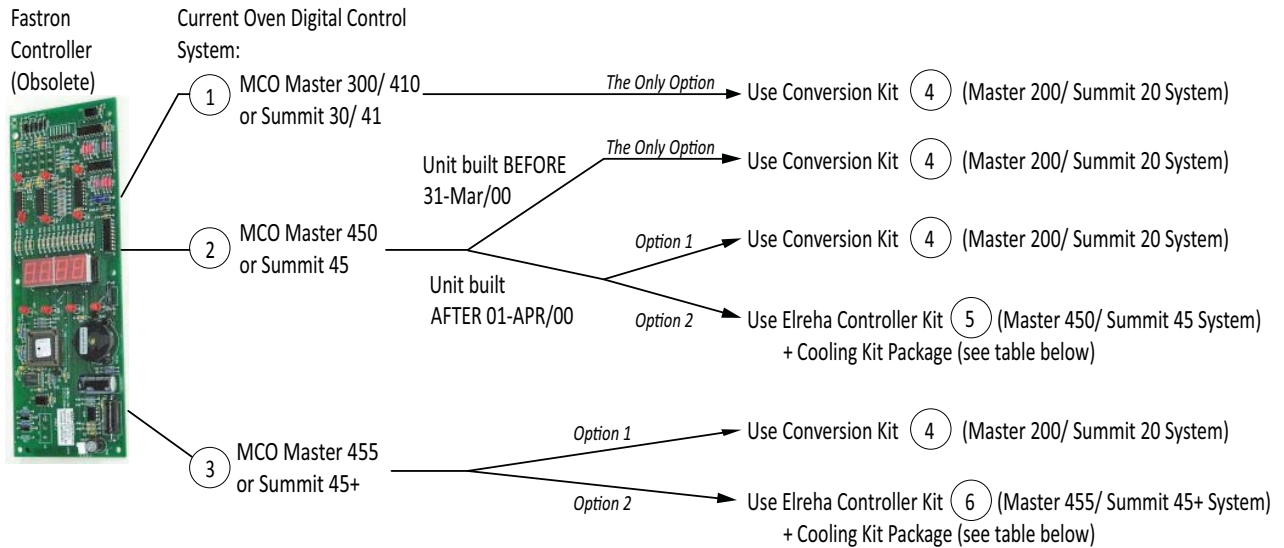
\* NOT ILLUSTRATED

**RECOMMENDED STOCK PARTS**

**NLA = No Longer Available**

**CONTROLLER REPLACEMENT KIT OPTIONS**

(for Convection Ovens with Fastron Control System)



**COOLING KIT PACKAGES**

\*\* Not Required for Conversion Kit 4

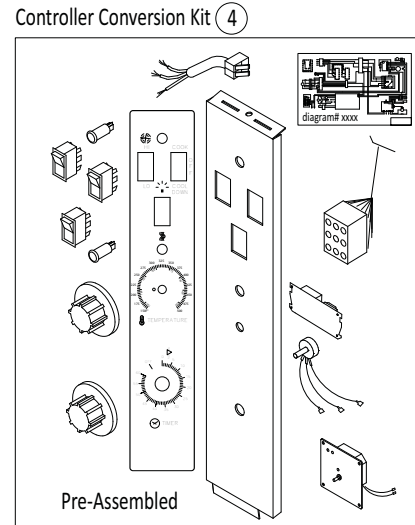
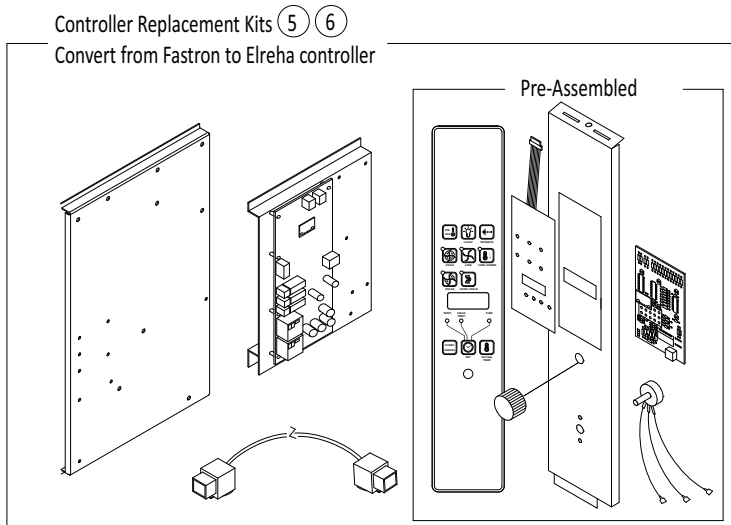
\*\* for convection ovens built before Jan, 2014 with Elreha conversion kits/control system)



Elreha Controller

Ovens with Elreha Controller	All Ovens Built Prior to October, 2007	All Ovens Built between Oct, 2007 - Jan, 2014
Standard Depth Oven (oven rack 22" deep)	7 115320 + 9 115322 (Supplementary Kit)	7 115320
Deep Depth Oven (oven rack 26" deep)	8 115321 + 9 115322 (Supplementary Kit)	8 115321

**KIT COMPONENTS**



**GARLAND Master 450/455 Full Size Electric Convection Ovens**  
models MCO-ES/ED-10/20

**FASTRON CONTROLLER REPLACEMENT KITS &  
ELREHA COOLING KITS**

ITEM	PART#	DESCRIPTION	QTY	CRITICAL
<b>FASTRON CONTROLLER REPLACEMENT KITS</b>				
1	1905701	<b>Master 300</b> Digital Controller <b>Note:</b> Use Kit 4522523 (Item #4) Ref: Bulletin# GAR-02-14-AC.	NLA+	C
	1905702	<b>Master 410</b> Digital Controller <b>Note:</b> Use Kit 4522523 (Item #4) Ref: Bulletin# GAR-02-14-AC.	NLA+	C
2	1905703	<b>Master 450</b> Digital Controller with Cook-N-Hold <b>Note:</b> Use Kit 4522523 (Item #4) or 4529705 (Item #5). Ref: Bulletin# GAR-02-14-AC.	NLA+	C
3	1905704	<b>Master 455</b> Digital Controller with Cook-N-Hold and Core Probe <b>Note:</b> Use Kit 4529706 (item 6). Ref: Bulletin# GAR-02-14-AC.	NLA+	C
4	4522523	Controller Replacement/Conversion Kit (Gas) - from digital to manual Master 200 control <b>Note:</b> This Kit is the <b>ONLY OPTION</b> available for any unit built <b>before 31-March/2000</b> . For a list of components in this Kit, see Master 200 Manual Control (p.5, item 51). Ref: Bulletin# GAR-02-14-AC.	1	C
5	4529705	Controller Replacement Kit - <b>MCO 450</b> (Gas/Electric), Elreha <b>Note:</b> Use this Kit for any unit manufactured <b>after 01-April/2000</b> . Kit includes a panel assembly with Elreha control, a relay board assembly, a cable, a bracket and instruction# 4529741. Ref: Bulletin# GAR-02-14-AC.	1	C
6	4529706	Controller Replacement Kit - <b>MCO 455</b> (Gas/Electric), Elreha <b>Note:</b> Kit includes a panel assembly with Elreha control, a relay board assembly, a cable, a bracket and instruction# 4529741. Ref: Bulletin# GAR-02-14-AC.	1	C
<b>COOLING KITS</b>				
<b>Not required for ovens with manual controls (Master 200) . These kits are for any oven built before Jan, 2014 with Elreha conversion kit (items 5, 6) / Elreha control system. Ref: Bulletin# GAR-02-14-AC.</b>				
7	115320	Cooling Kit, Standard Depth Oven, with Elreha Control <b>Note:</b> • Kit includes a duct assembly, a hole plug, a cover plate, and fasteners. • Also require Kit 115322 (item 9) for any oven built before October, 2007.	1	
8	115321	Cooling Kit, Deep Depth Oven, with Elreha Control <b>Note:</b> • Kit includes a duct assembly, a hole plug, a cover plate, and fasteners. • Also require Kit 115322 (item 9) for any oven built before October, 2007.	1	
9	115322	Supplementary Cooling Kit <b>Note:</b> • Only required for ovens built before October, 2007; use this kit with either 115320 (item 7) for standard depth or 115321 (item 8) for deep depth oven. • Kit includes a high limit assembly, a circuit board support, insulation, a finger guard, and fasteners.	1	

\* NOT ILLUSTRATED

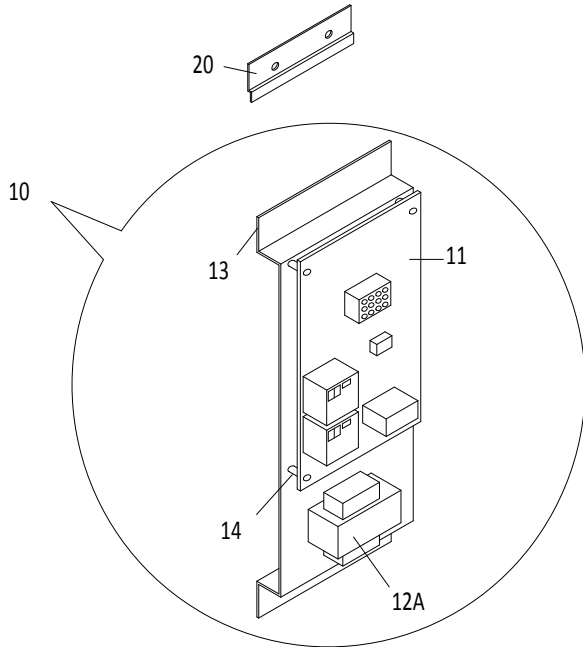
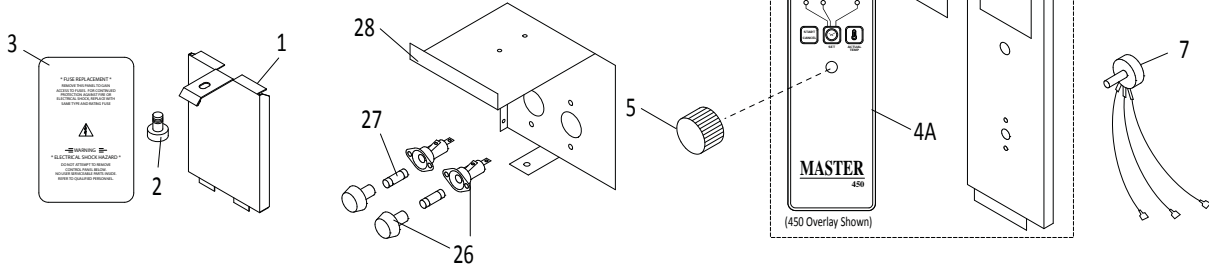
**RECOMMENDED STOCK PARTS**

+ NLA = No Longer Available

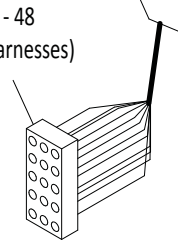
Fastron Controller  
(Obsolete)  
For Fastron controller  
replacement kits, see  
p. 10.



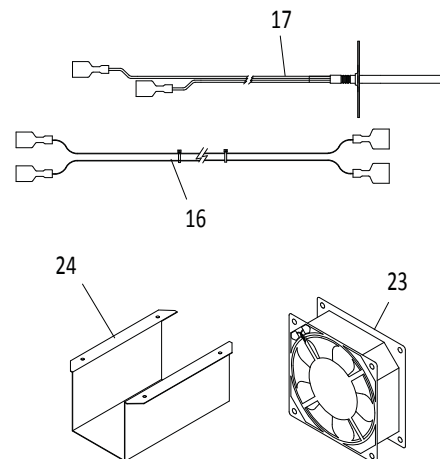
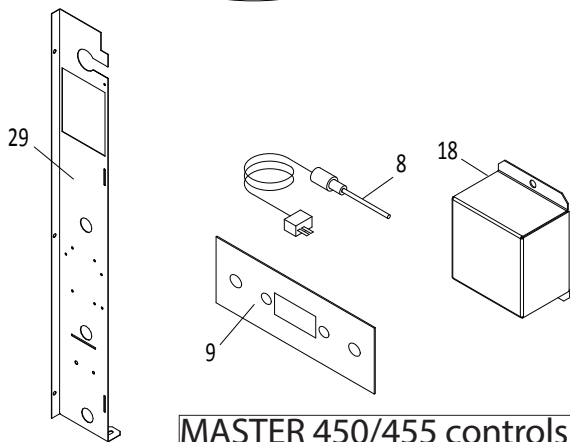
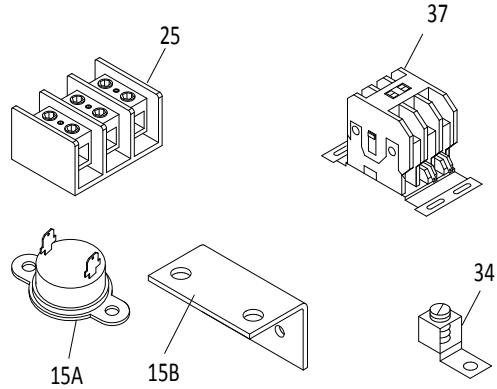
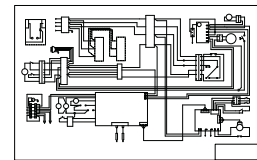
Elreha Controller  
See p. 16.



40 - 48  
(Harnesses)



50 (Wiring Diagrams)



**MASTER 450/455 controls**  
**(Introduced in March, 1999)**

**GARLAND Master 450/455 Full Size Electric Convection Ovens**  
models MCO-ES/ED-10/20

**(FASTRON) MASTER 450 / 455 DIGITAL CONTROL PANELS & COMPONENTS**

ITEM	PART #	DESCRIPTION	QTY	FROM DATE	UP TO DATE	CRITICAL
1	1918501	Cover - Upper Control Panel, SS	1			
2	GF297	Slotted Thumb Screw #10-24 x 1/2"	1			
3	1933511	Overlay - Top Control Panel, Electric MCO, black	1			
	115269	Overlay - Top Control Panel, Electric MCO, silver/gray	1			
4	1952898	Control Panel Assembly - <b>Master 450</b> Keypad, with Light <b>Note:</b> Assembly Includes a S/S Panel, a Key-Pad Control and Overlay (item 4A). S/S Panel and Key Pad Not Sold Separately.	1			
	CK1952897	Control Panel Assembly - <b>Master 455</b> Keypad, with Light <b>Note:</b> Assembly Includes a S/S Panel, a Key-Pad Control and Overlay (item 4A). S/S Panel and Key Pad Not Sold Separately.	1			
4A	1908503	Overlay - <b>Master 450</b> with Light	1			
	1908505	Overlay - <b>Master 455</b> with Light	1			
5	1720502	Fast Control Knob	1			
7	1911601	Potentiometer / Encoder	1			
8	1906004	Core Probe (Meat Probe) - <b>IM455 ONLY</b>	1			
9	1946701	Core Probe Bracket - <b>IM455 ONLY</b>	1			
10	S113851	Relay Board Assembly - 208/240V <b>Note:</b> Assembly includes items 11, 12A, 13, 14.	1			C
11	1916901	Relay Board PCB Assembly	1			C
12A	1917198	Transformer - 208/240V to 24VAC	1			C
12B*	1033700	Transformer - 460V 2KVA 50/60Hz ( <b>460V MCO ONLY</b> )	1			C
13	1916801	Bracket - Relay Board Assembly	1			
14	1767901	Nylon Spacers	4			
15A	1955101	<b>Switch - Thermal Disc, Cooling Fan</b>	1			C
15B	1910901	Bracket - Hi Limit or Thermal Disc	1			
16	1906003	Cable Assembly - Probe Extension ( <b>USE ONLY WITH 1906002</b> )	1			C
17	1906002	Probe - RTD, Flange Mount ( <b>USE ONLY WITH 1906003</b> )	1			C
18	1916301	Cover - Probe Connector	1			
20	1911301	Relay Bracket Slide	2			
23	1671101	Cooling Fan 208 / 240 V <b>Note:</b> For Fan Installation, refer to Service Bulletin B-97-2009-S.	1			C
24	1918001	Air Exhaust Duct - Standard Depth	1			
	1918002	Air Exhaust Duct - Deep Depth	1			
25	1193900	Terminal Block - 3 Pole - for 208/240V	1			C
		Terminal Block - 3 Pole - for 380/415V	2			C
	4516982	Terminal Block - 10mm	1			C
26	1130102	Fuse Holder	2			
	1130100	Fuse Holder ( <b>460V MCO ONLY</b> )	2			
27	1130109	<b>Fuse - 15A 600V Class CC</b>	2			C
	1130103	<b>Fuse - 20A 300V SC-20</b>	2			C
28	1918989	Fuse Mounting Bracket	1			
29	1926001	Panel - Right Side, Mid	1			
34	1028402	Ground Lug	1			
37	1637002	Contactors - 240V Coil <b>Note:</b> Used <b>FROM</b> serial# 0106CJ0400. (Ref: original - mercury contactor 9005400)	1	JUN/01		C

\* NOT ILLUSTRATED

**RECOMMENDED STOCK PARTS**

**NLA = No Longer Available**

**GARLAND Master 450/455 Full Size Electric Convection Ovens**  
*models MCO-ES/ED-10/20*

**(FASTRON) MASTER 450 / 455 DIGITAL CONTROL PANELS & COMPONENTS**

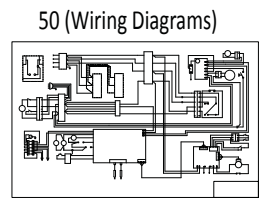
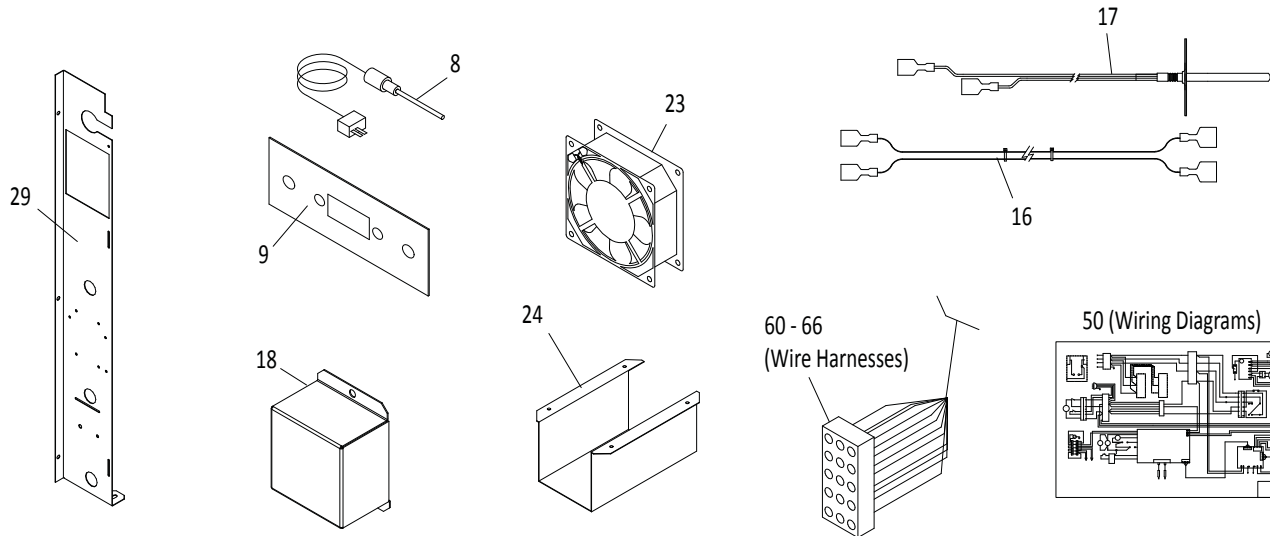
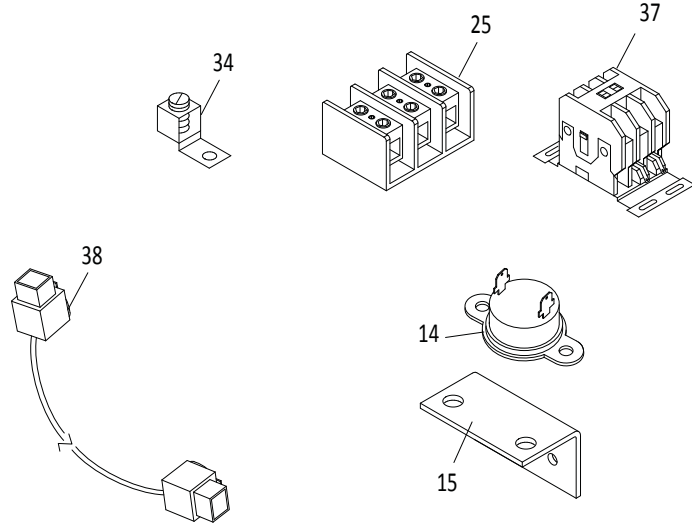
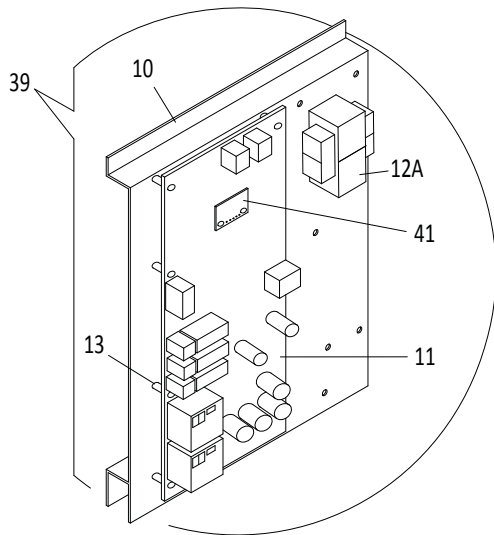
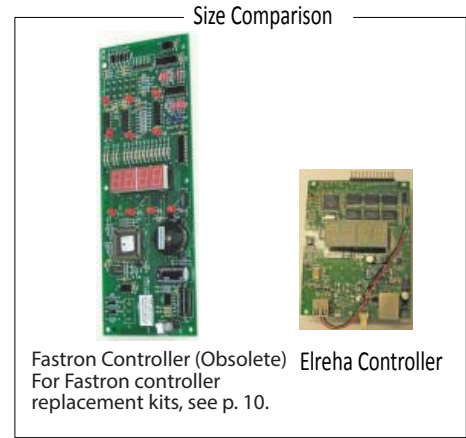
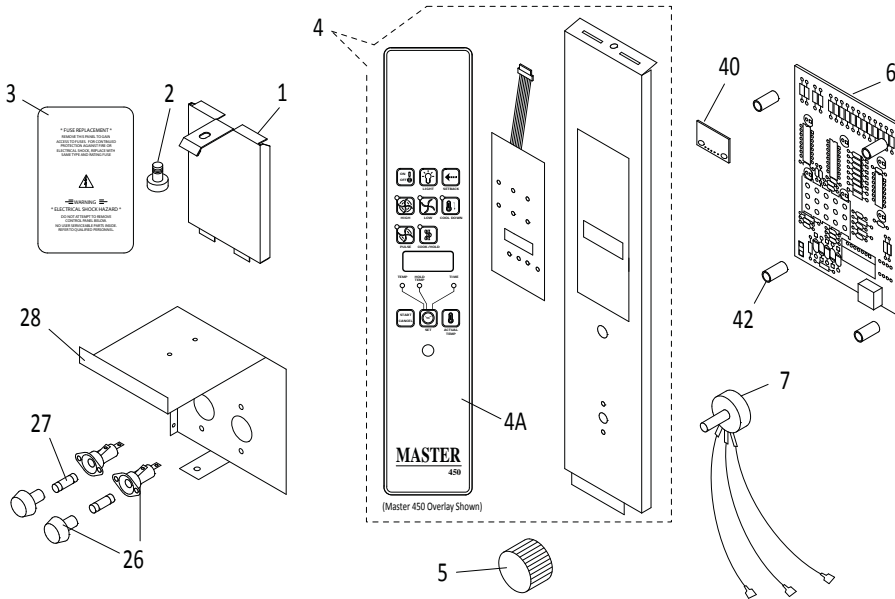
ITEM	PART #	DESCRIPTION	QTY	FROM DATE	UP TO DATE	CRITICAL
40*	<a href="#">1804728</a>	Harness - MCO Main	1		JULY/01	
41*	<a href="#">1949589</a>	Harness - Electric	1	JULY/01		
42*	<a href="#">1949585</a>	Harness - Electric Elements	1	JULY/01		
43*	<a href="#">1949584</a>	Harness - 460V Transformer ( <b>460V MCO ONLY</b> )	1	JULY/01		
44	<a href="#">1949579</a>	Harness - Lights	1	JULY/01		
45	<a href="#">1949578</a>	Harness - Fast Relay Board	1	JULY/01		
46*	<a href="#">1905901</a>	Harness - Control to Relay	1			
47*	<a href="#">1905902</a>	Harness - Core Probe ( <b>Master 455 ONLY</b> )	1			
48*	<a href="#">1804710</a>	Harness - <b>Arby</b> Electric	1	<b>NLA</b>	JUN/01	
	<a href="#">1949586</a>	Harness - <b>Arby</b> Electric, 208/240V	1	JULY/01		
50*	1949504	Wiring Diagram - Fast Electric 208/240V	1			
	1949505	Wiring Diagram - Fast Electric 460V 60Hz	1			
	1949506	Wiring Diagram - Fast Electric 380/415V 50Hz	1			
<b>Note:</b> Diagram part#s listed For Reference Only. Please contact KitchenCare for assistance.						

\* NOT ILLUSTRATED

**RECOMMENDED STOCK PARTS**

**NLA = No Longer Available**

Blank Page



**GARLAND Master 450/455 Full Size Electric Convection Ovens**  
models MCO-ES/ED-10/20

**(ELREHA) MASTER 450/455 DIGITAL CONTROL PANEL & COMPONENTS**

ITEM	PART #	DESCRIPTION	QTY	CRITICAL
1	1918501	Cover - Upper Control Panel, SS	1	
2	GF297	#10-24 x 1/2" Slotted Thumb Screw	1	
3	115269	Overlay - Top Control Panel, Electric MCO, silver/gray	1	
4	4530502	<b>Master 450</b> Keypad Panel Kit (Elreha) <b>Note:</b> Assembly includes a S/S Control Panel, a Master 450 Overlay (item 4A), and a Key Pad Control(Membrane Switch). S/S Panel and Key Pad Not Sold Separately.	1	
	4530503	<b>Master 455</b> Keypad Panel Kit (Elreha) <b>Note:</b> Assembly includes a S/S Control Panel, a Master 455 Overlay (item 4A), and a Key Pad Control(Membrane Switch). S/S Panel and Key Pad Not Sold Separately.	1	
4A	115261	Overlay - <b>Master 450</b> with Light, Elreha, silver/gray	1	
	115262	Overlay - <b>Master 455</b> with Light, Elreha, silver/gray	1	
5	1720502	Fluted Knob (Fast Control Knob)	1	
6	4527483	User Interface Board / UI Board (Elreha)	1	
7	1911601	Potentiometer - Encoder	1	C
8	1906004	Core Probe (Meat Probe) - for <b>Master 455</b> Control Only	1	
9	1946701	Core Probe Bracket - for <b>Master 455</b> Control Only	1	
10	113570	Bracket - Relay Panel/SRB Mounting, Elreha	1	
11	4527484	Relay Board / SRB - Digital Control, Elreha	1	C
12A	1917198	Transformer 208/240V to 24VAC	1	C
12B*	1033700	460V Transformer 2KVA 50/60Hz ( <b>460V ONLY</b> )	1	C
13	1767901	Nylon Spacers	8	
14	1955101	<b>Switch - Thermal Disc, Cooling Fan</b>	1	C
15	1910901	Hi-Limit Bracket	1	
16	1906003	Cable Assembly - Probe Extension ( <b>USE ONLY WITH 1906002</b> )	1	C
17	1906002	Probe - RTD, Flange Mount ( <b>USE ONLY WITH 1906003</b> )	1	C
18	1916301	Cover - Probe Connector	1	
20	1911301	Relay Bracket Slide	2	C
23	1671101	Boxer Cooling Fan 120mm 230V <b>Note:</b> For Fan Installation, refer to Service Bulletin B-97-2009-S.	1	C
	1918001	Air Exhaust Duct - Standard Depth	1	
	1918002	Air Exhaust Duct - Deep Depth	1	
25	1193900	Terminal Block - 3 Pole, High Voltage	1	
26	1130102	Fuse Holder	2	
	1130100	Fuse Holder ( <b>460V ONLY</b> )	2	
27	1130103	Fuse - 20A 208/240V	2	
	1130109	Fuse - 15A 600V Class CC	2	
28	1918989	Bracket - Fuse Mount	1	
29	1926001	Panel - Right Side, Mid	1	
34	1028402	Ground Lug	1	
37	1637002	Contacto r 240V Coil	1	
38	4529003	Cable - UI/SRB 0.5M Elreha	1	
39	S113849	Relay Board Assembly - Electric, Elreha <b>Note:</b> Assembly includes a mounting panel (#10), relay board (#11), personality module, transformer (#12A - 1917198), and fasteners.	1	
40	4529740	Personality Module on UI, Elreha	1	
41	4529761	Personality Module on Relay Board/SRB, Elreha	1	
42	1955703	Standoff Nylon, 1/4" dia.	4	

\* NOT ILLUSTRATED

**RECOMMENDED STOCK PARTS**

**GARLAND Master 450/455 Full Size Electric Convection Ovens**  
*models MCO-ES/ED-10/20*

**(ELREHA) MASTER 450/455 DIGITAL CONTROL PANEL & COMPONENTS**

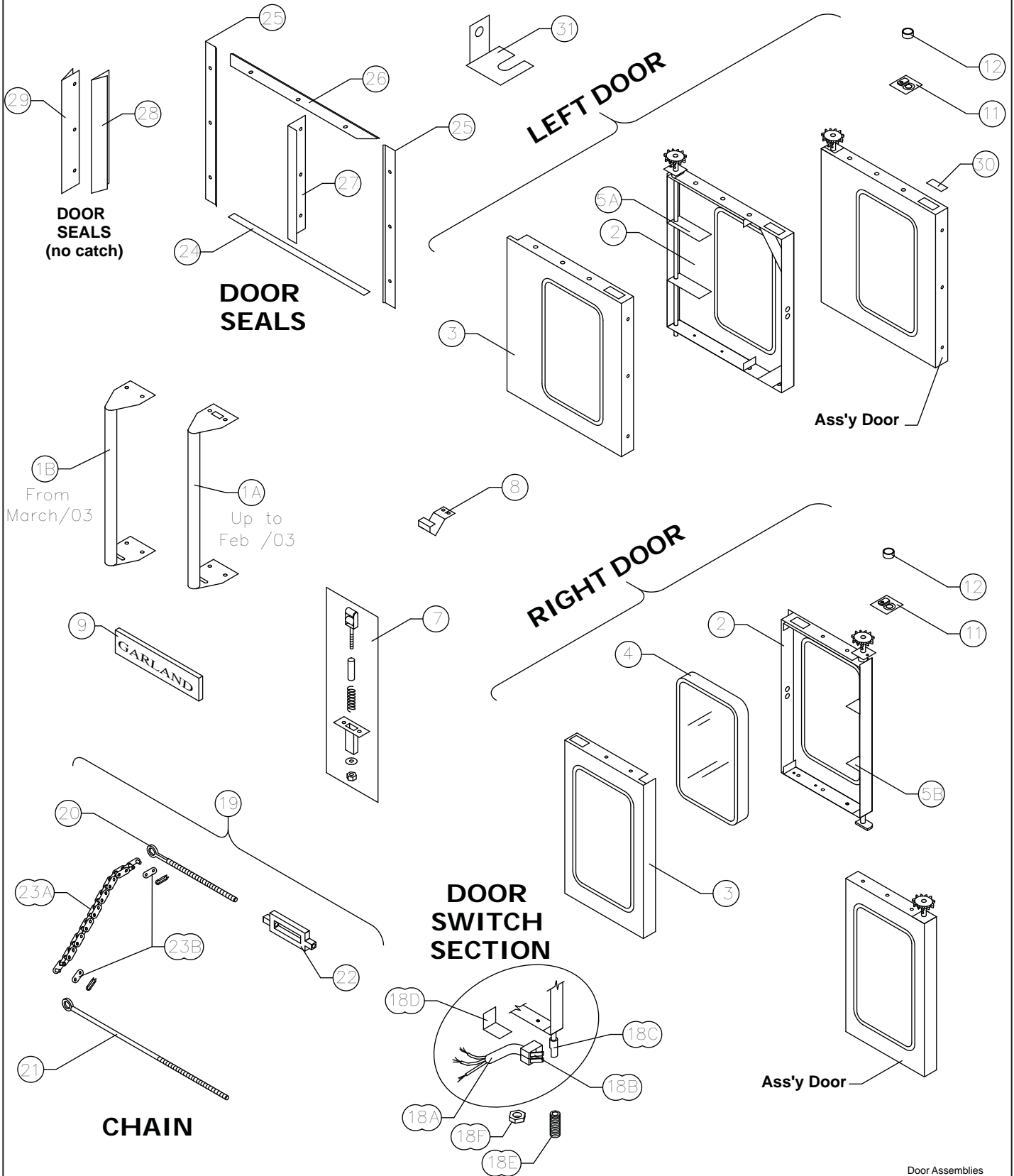
ITEM	PART #	DESCRIPTION	QTY	CRITICAL
50*	1949504	Wiring Diagram 208/240V Electric Fast Control	1	
	1949505	Wiring Diagram 460V 60Hz Electric Fast Control	1	
	<b>Note:</b> Wiring Diagram part#s listed For Reference Only. Please contact Technical Service for assistance.			
60*	<a href="#">1949578</a>	Wire Harness - Fast Relay Board	1	
62*	<a href="#">1905902</a>	Wire Harness - Core Probe, for <b>Master 455</b> Control Only	1	
63*	<a href="#">1949585</a>	Wire Harness - Electric Elements	1	
64*	<a href="#">1949584</a>	Wire Harness - 460V Transformer	1	
65*	<a href="#">1949579</a>	Wire Harness - Lights	1	
66*	<a href="#">1949589</a>	Wire Harness - Electric	1	
45*	<a href="#">1949579</a>	Wire Harness - Lights	1	
46*	<a href="#">1936095</a>	Wire Harness - Ignition Module (IPI/DSI)	1	

\* NOT ILLUSTRATED

**RECOMMENDED STOCK PARTS**

Blank Page

( for units manufactured UP TO 14-APRIL-2005 )



Door Assemblies

**GARLAND Master Series Full Size Electric Convection Ovens**  
*models MCO-ES/ED-10/20, MCO-ES/ED-10S/20S*

**DOOR COMPONENTS & ASSEMBLIES**  
**( for units manufactured UP TO 14-APRIL-2005)**

ITEM	PART #	DESCRIPTION	QTY	FROM DATE	UP TO DATE	CRITICAL
<b>Complete Door Assembly Kits (see page 23)</b>						
1A	CK1924395	Door Handle - Black	1		FEB-03	
1B	CK1924396	Door Handle - Black	1	MAR-03		
1C*	1922799	Wooden Handle Assembly (Olive Garden)	1	<b>NLA</b>	3-DEC-02	
2	CK1923997	Panel - Left Door Liner Window	1			
	CK1923996	Panel - Left Door Liner Solid	1			
	CK1923998	Panel - Right Door Liner Solid	1			
	CK1923999	Panel - Right Door Liner Window	1			
3	1924001	Panel - Left Door Solid	1			
	1924002	Panel - Left Door Window	1			
	1924007	Panel - Left Door Solid (Prison) Ref: CLVQAD	1			
	1924009	Panel - Left Door, (Olive Garden)	1			
	1924011	Panel - Left Door Window (Prison) Ref: CLVQAD	1			
	1924003	Panel - Right Door Solid	1			
	1924008	Panel - Right Door Solid (Prison) Ref: CLVQAD	1			
	1924010	Panel - Right Door, (Olive Garden)	1			
	1924004	Panel - Right Door Window	1			
4	1010999	Oven Door Window (3/16" Glass)	1			
5A	CK1923899	Frame W/A - Left Door	1		14-APR-05	
5B	CK1923898	Frame W/A - Right Door	1		14-APR-05	
6*	1925099	Bracket W/A - Door Hasp (Prison) Ref: CLVQAD				
7	CK1757998	Latch Bench Ass'y	1	AUG-95	JAN-03	
8	1925005	Bracket - Door Latch	1			
9	1902917	10" GARLAND Nameplate	1	<b>NLA</b>	SEP-01	
	4529724	7-5/8" GARLAND Nameplate (was 3077100)	1	OCT-01		
10*	1925009	Plate - Door Hasp Back (Prison)				
11	CK1923499	Plate - Door Bushing	2		14-APR-05	
12	1923201	Spacer - Door Hinge	2			
18A	1804727	Harness - Door Micro Switch	1			
	1949575	Wire Harness - Mechanical Door Switches <b>Note:</b> IM200 Control Only.	1			
	1949574	Door Switch Wire Harness for <b>Arby's ONLY</b>	1			
18B	1855603	High Temp Micro Switch	2			
	4519715	Micro Switch Hi Temp - Hi Current <b>Note:</b> IM200 Control Only.	2			
18C	1925101	Cam - Door Switch	1			
18D	1925001	Bracket Door Switch Right	1			
18E	8003802	Set Screw 10x24x3/8"	2			
18F	8001203	Nut Hex Stl 8-32	2			
18G*	8001502	Nut w/Washer 6-32 ksp	2			
18H*	8003208	MSCR-PH-6 32x32 ST 2P	2			
19	4520166	<b>Door Chain Assembly</b> <b>Note:</b> Includes items 20, 21, 22, 23A, 23B. Items 20 and 21	1			
20	1014201	Connecting Door Rod - Short ( <b>Not sold separately</b> )	2			
21	1014200	Connecting Door Rod - Long ( <b>Not sold separately</b> )	2			

\* NOT ILLUSTRATED

**RECOMMENDED STOCK PARTS**

**NLA = No Longer Available**

**GARLAND Master Series Full Size Electric Convection Ovens**  
*models MCO-ES/ED-10/20, MCO-ES/ED-10S/20S*

**DOOR COMPONENTS & ASSEMBLIES**  
**( for units manufactured UP TO 14-APRIL-2005)**

ITEM	PART #	DESCRIPTION	QTY	FROM DATE	UP TO DATE	CRITICAL
22	1015000	Turnbuckle 1/4-20 w/4" Take Up ( <b>Not sold separately</b> )	2			
23A	1021100	Roller Chain #40	2			
23B	1021299	Connecting Link #40	4			
24	1924712	<b>Seal - Door, Bottom</b>	1			
25	1924601	<b>Seal - Door, Left &amp; Right</b>	2			
26	1924711	<b>Seal - Door Top</b>	1			
27	1924402	<b>Seal - Door, Center (old style)</b> <b>Note:</b> Use 1924411 (item 28).	1			
28	1924411	<b>Center Right Seal</b> <b>From serial # 0301CJ0082</b>	1	JAN-03		
29	1924412	<b>Center Left Seal</b> <b>From serial # 0301CJ0082</b>	1	JAN-03		
30	1928209	<b>Plate Door Handle</b> <b>From serial # 0301CJ0082</b> <b>Note:</b> Item will not be available once stock is out.	1	JAN-03		
31	1925013	Bracket - Door Stop L/H	1	APR-00		
	4519740	Bracket - Door Stop R/H	1	APR-05		
32*	8003603	Carriage Bolt 3/8-16 X 3/4				
33*	1922801	Olive Garden Handle Bracket Plate Ref: CLVQAD				
34*	1019800	Self Threading Pal Nut	NLA			
35*	8001210	Nut Hex 3/8-16 Stl 2P	3			
36*	8000308	Washer - Flat 3/8x3/4 Stl 2P	3			
37*	1915914	Insulation - Left Door, W/Window Ref: CLVQAD	1			
	1915915	Insulation - Left Door, Solid Ref: CLVQAD	1			
38*	1915916	Insulation Right Door, W/Window Ref: CLVQAD	1			
	1915917	Insulation - Right Door, Solid Ref: CLVQAD	1			

\* NOT ILLUSTRATED

**RECOMMENDED STOCK PARTS**

**NLA = No Longer Available**

**GARLAND Master Series Full Size Electric Convection Ovens**  
*models MCO-ES/ED-10/20, MCO-ES/ED-10S/20S*

**COMPLETE DOOR ASSEMBLIES (NON-PRISON)**

Units Manufactured Date	Dependent or Independent Door	Left Door (with Window)	Left Door (Solid)	Right Door (with Window)	Right Door (Solid)
Prior Mar-99	Dependent	CK1803789-A (NLA)	CK1803788-A (NLA)	CK1803785-A (LQ)	CK1803784-A (NLA, ALT: CK1803785-A)
	Independent	CK1803789-A (NLA)	CK1803788-A (NLA)	CK1803787-A (NLA)	CK1803786-A (NLA)
Mar-99 to Apr-00	Dependent	CK1803789-A (NLA)	CK1803788-A (NLA)	CK1803785-B (LQ)	CK1803784-B (LQ)
	Independent	CK1803789-A (NLA)	CK1803788-A (NLA)	CK1803787-B (NLA, ALT: CK1803786-B)	CK1803786-B
Apr-00 to 31-Dec-02	Dependent	CK02-001 (LQ)	CK02-003 (NLA - Contact CSR for assistance. Use CK02-001)	CK02-002 (LQ)	CK02-004 (NLA)
Jan-03 to 14-Apr-05	Dependent	CK1924869 (NLA)	1924868 (NLA)	CK1924969 (LQ)	1924968 (Use CK1924969)
	Dependent - S/S (Olive Garden)		1924878 (NLA)		1924978 (NLA)
From 14-Apr-05 to Present	Dependent (Ext. Bearing Plate) (Also Used for Olive Garden)	4520311	4520313	4520312	4520314

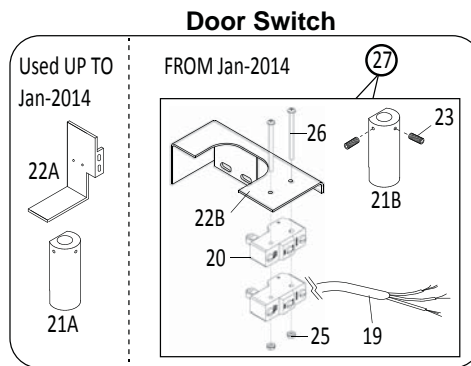
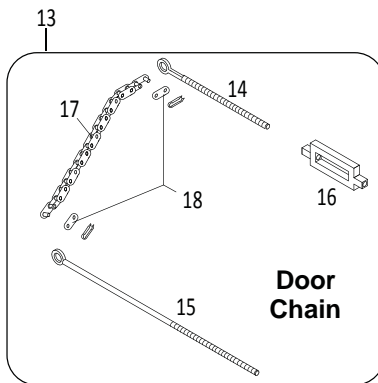
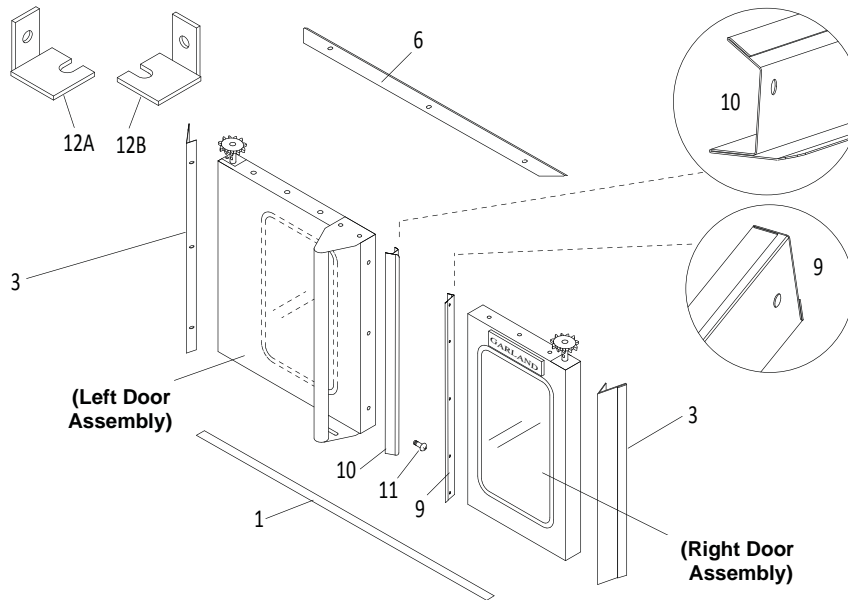
**COMPLETE DOOR ASSEMBLIES (PRISON)**

Units Manufactured Date	Dependent or Independent Door	Prison Left Door (with Window)	Prison Left Door(Solid)	Prison Right Door (with Window)	Prison Right Door (Solid)
Apr-00 to 31-Dec-02	Dependent	CK02-007 (NLA)	CK02-005 (NLA)	NA	CK02-006 (NLA)
Jan-03 to 14-Apr-05	Dependent	CK1924867 (LQ)	CK1924866 (LQ)	NA	CK1924966 (LQ)
From 14-Apr-05 to Present	Dependent (Ext. Bearing Plate)	4520317	4520315	NA	4520316

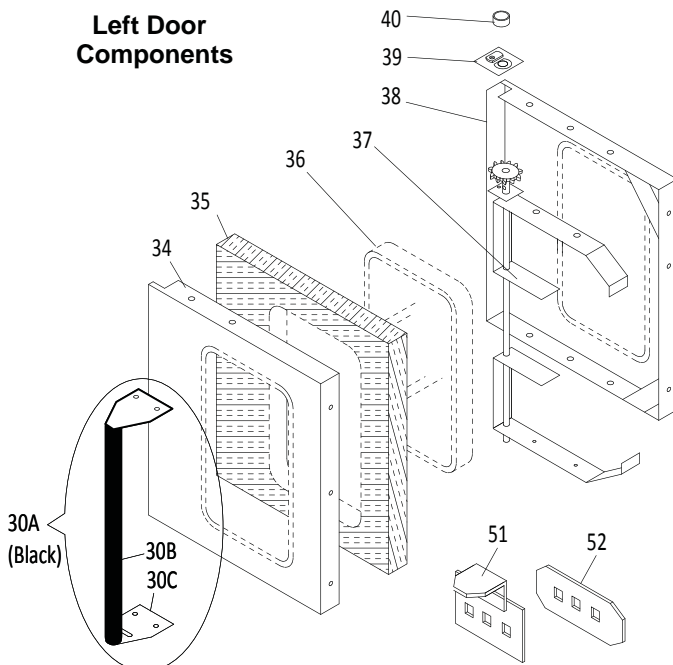
**LQ** = Limited Quantity. Item will not be available once stock is out.

**NLA** = No Longer Available

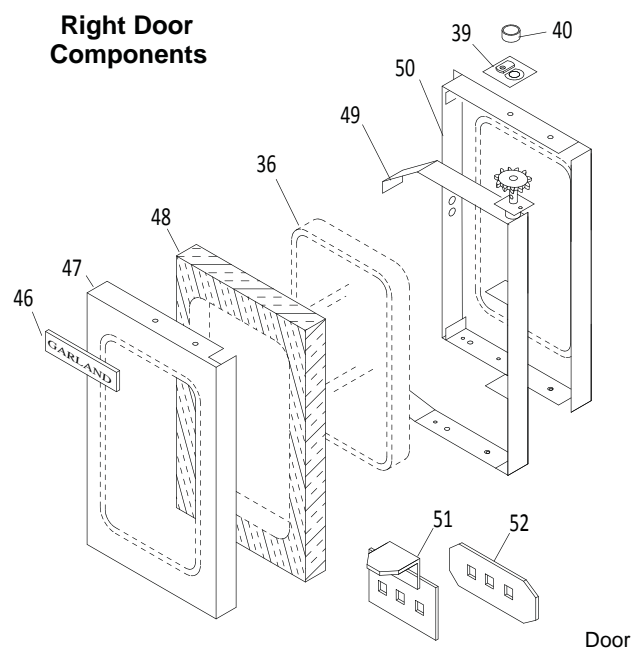
( for units manufactured FROM 14-April-2005 )



### Left Door Components



### Right Door Components



**GARLAND Master Series Full Size Electric Convection Ovens**  
*models MCO-ES/ED-10/20, MCO-ES/ED-10S/20S*

**DOOR COMPONENTS**  
**( for units manufactured FROM 14-APRIL-2005)**

ITEM	PART #	DESCRIPTION	QUANTITY	CRITICAL
1	<a href="#">1924712</a>	<b>Seal - Door, Bottom</b>	1	
3	<a href="#">1924601</a>	<b>Seal - Door, Left &amp; Right</b>	2	
6	<a href="#">1924711</a>	<b>Seal - Door Top</b>	1	
9	<a href="#">1924411</a>	<b>Center - Right Door Seal</b>	1	
10	<a href="#">1924412</a>	<b>Center - Left Door Seal</b>	1	
10A*	<a href="#">113858</a>	<b>Center - Left Door Seal (Not Shown, Prison Package Only, Window or Solid Door)</b>	1	
11	<a href="#">8003123</a>	<b>Mscr - TH - Phil 10-24 x 5/8" Stl ZP</b>	6	
12A	<a href="#">1925013</a>	Bracket - Door Stop L/H	1	
12B	<a href="#">4519740</a>	Bracket - Door Stop R/H	1	
<b>DOOR CHAIN COMPONENTS</b>				
13	<a href="#">4520166</a>	<b>Door Chain Assembly</b> <b>Note: Includes Items 14-18.</b>	2	C
14	<a href="#">1014201</a>	Connecting Door Rod - Short <b>Note: Item listed for reference only. Not Sold Separately.</b>	2	
15	<a href="#">1014200</a>	Connecting Door Rod - Long <b>Note: Item listed for reference only. Not Sold Separately.</b>	2	
16	<a href="#">1015000</a>	Turnbuckle 1/4-20 with 4" Take Up	2	
17	<a href="#">1021100</a>	Roller Chain #40	2	
18	<a href="#">1021299</a>	Connecting Link #40	4	
<b>DOOR SWITCH COMPONENTS AND KITS</b>				
19	<a href="#">1804727</a>	Wire Harness - Door Micro Switch, Digital Control	1	
	<a href="#">1949575</a>	Wire Harness - Door Micro Switch, Mechanical Control. <b>Note: For MCO-ES/ED-10S (200 series) models.</b>	1	
19A	<a href="#">1949574</a>	Door Switch Wire Harness for <b>Arby's</b>	1	
20	<a href="#">1855603</a>	<b>High Temp Micro Switch</b> <b>Note: For MCO-ES/ED-10 models.</b>	2	C
	<a href="#">4519715</a>	<b>Door Micro Switch - High Temp, High Current</b> <b>Note: For MCO-ES/ED-10S (200 series) models.</b>	2	C
21A	<a href="#">1925101</a>	Cam - Door Switch. <b>Obsolete.</b> Used UP TO Jan-2014. USE item 27..	1	
21B	<a href="#">115338</a>	Cam Assembly - Door Switch (Installed on any unit built after Jan-2014, serial# 1401 2300 01225. Can be used to replace item# 21A( <a href="#">1925101</a> ).	1	
22A	<a href="#">1925001</a>	Bracket Door Switch Right. <b>Obsolete.</b> Used UP TO Jan-2014. USE item 27.	1	
22B	<a href="#">114179</a>	Bracket Door Switch (Installed on any unit built after Jan-2014, serial# 1401 2300 01225)	1	
23	<a href="#">8003802</a>	Set Screw 10x 24x 3/8"	2	
25	<a href="#">8001502</a>	Nut w/Washer 6-32 KPS	2	
26	<a href="#">8003208</a>	MSCR-PH-6 32x32 ST ZP	2	
27	<a href="#">115346</a>	Kit, Door Switch, Mechanical Control <ul style="list-style-type: none"> <li>• For any unit built <b>before</b> Jan-2014, serial# 1401 2300 01225.</li> <li>• Kit includes items 19 (P/N <a href="#">1949575</a>), 20 (P/N <a href="#">4519715</a>), 21B, 22B.</li> <li>• Ref: Bulletin# GAR-04-14-AC.</li> </ul>	1	
	<a href="#">115347</a>	Kit, Door Switch, Digital Control <ul style="list-style-type: none"> <li>• For any unit built <b>before</b> Jan-2014, serial# 1401 2300 01225.</li> <li>• Kit includes items 19 (P/N <a href="#">1804727</a>), 20 (P/N <a href="#">1855603</a>), 21B, 22B.</li> <li>• Ref: Bulletin# GAR-04-14-AC.</li> </ul>	1	

\* NOT ILLUSTRATED

**RECOMMENDED STOCK PARTS**

**GARLAND Master Series Full Size Electric Convection Ovens**  
*models MCO-ES/ED-10/20, MCO-ES/ED-10S/20S*

**DOOR COMPONENTS**  
**( for units manufactured FROM 14-APRIL-2005)**

ITEM	PART #	DESCRIPTION	QUANTITY	CRITICAL
<b>LEFT &amp; RIGHT DOOR COMPONENTS (Window / Solid)</b>				
30A	CK1924396	Door Handle Assembly- Black <b>Note:</b> Assembly includes items 30B, 30C, 30D.	1	
30B	1924195	Tube Door	1	
30C	1924206	Plate - Door Handle	2	
30D*	8003605	1/4-20 x 1" Carriage Bolt, Black	2	
34	1924001	Panel - Left Door (Solid)	1	
	1924002	Panel - Left Door (Window)	1	
	1924007	Panel - Left Door (Solid - Prison)	1	
	1924011	Panel - Left Door (Window - Prison)	1	
35	113862	Insulation - Left Door (Window)	1	
	113863	Insulation - Left Door (Solid)	1	
36	1010999	<b>Oven Door Window - 3/16" Glass (Window Option)</b>	1	
37	4520373	Weld Assembly Frame Left Door Extended Bearing Plate	1	
38	CK1923997	Panel - Left Door Liner (Window)	1	
	1923902	Panel - Left Door Liner (Window - Prison)	1	
	CK1923996	Panel - Left Door Liner (Solid) <b>Note:</b> For both Standard and Prison Models.	1	
39	4520301	Plate - Door Bushing Extended	2	
40	1923201	Spacer - Door Hinge	2	
46	4529724	Logo, Garland, Std, Large (for non-prison door)	1	
47	1924003	Panel - Right Door (Solid)	1	
	1924008	Panel - Right Door (Solid - Prison)	1	
	1924004	Panel - Right Door (Window)	1	
48	113864	Insulation Right Door (Window)	1	
	113865	Insulation - Right Door (Solid)	1	
49	CK4520374	Weld Assembly Frame Right Door Extended Bearing Plate	1	
50	1923998	Panel - Right Door Liner (Solid) <b>Note:</b> For both Standard and Prison Models.	1	
	1923999	Panel - Right Door Liner (Window)	1	
<b>Maximum Security Prison Package Hardware/Fasteners for Left/Right Door: Items 51-53</b>				
51	1925099	Door Hasp Bracket Weldment Assembly (Prison, Left / Right Door)	1	
52	1925009	Plate - Door Hasp Back (Prison, Left / Right Door)	1	
53*	8003603	3/8-16 x 3/4 Carriage Bolt (Prison, Left / Right Door)	3	
	8001210	3/8-16 Hex Nut Stl Zinc (Prison, Left / Right Door)	3	
	8000308	3/8 x 3/4 Flat Washer Stl Zinc (Prison, Left / Right Door)	3	
	8000207	3/8 x 11/64 x 3/32 Split Lock Washer, Stl Zinc (Prison, Left / Right Door)	3	

\* NOT ILLUSTRATED

**RECOMMENDED STOCK PARTS**

**GARLAND Master Series Full Size Electric Convection Ovens**  
*models MCO-ES/ED-10/20, MCO-ES/ED-10S/20S*

**COMPLETE DOOR ASSEMBLIES (NON-PRISON)**

<b>Units Manufactured Date</b>	<b>Dependent or Independent Door</b>	<b>Left Door (with Window)</b>	<b>Left Door (Solid)</b>	<b>Right Door (with Window)</b>	<b>Right Door (Solid)</b>
Prior Mar-99	Dependent	CK1803789-A (NLA)	CK1803788-A (NLA)	CK1803785-A (LQ)	CK1803784-A (NLA, ALT: CK1803785-A)
	Independent	CK1803789-A (NLA)	CK1803788-A (NLA)	CK1803787-A (NLA)	CK1803786-A (NLA)
Mar-99 to Apr-00	Dependent	CK1803789-A (NLA)	CK1803788-A (NLA)	CK1803785-B (LQ)	CK1803784-B (LQ)
	Independent	CK1803789-A (NLA)	CK1803788-A (NLA)	CK1803787-B (NLA, ALT: CK1803786-B)	CK1803786-B
Apr-00 to 31-Dec-02	Dependent	CK02-001 (LQ)	CK02-003 (NLA - Contact CSR for assistance. Use CK02-001)	CK02-002 (LQ)	CK02-004 (NLA)
Jan-03 to 14-Apr-05	Dependent	CK1924869 (NLA)	1924868 (NLA)	CK1924969 (LQ)	1924968 (Use CK1924969)
	Dependent - S/S (Olive Garden)		1924878 (NLA)		1924978 (NLA)
From 14-Apr-05 to Present	Dependent (Ext. Bearing Plate) (Also Used for Olive Garden)	4520311	4520313	4520312	4520314

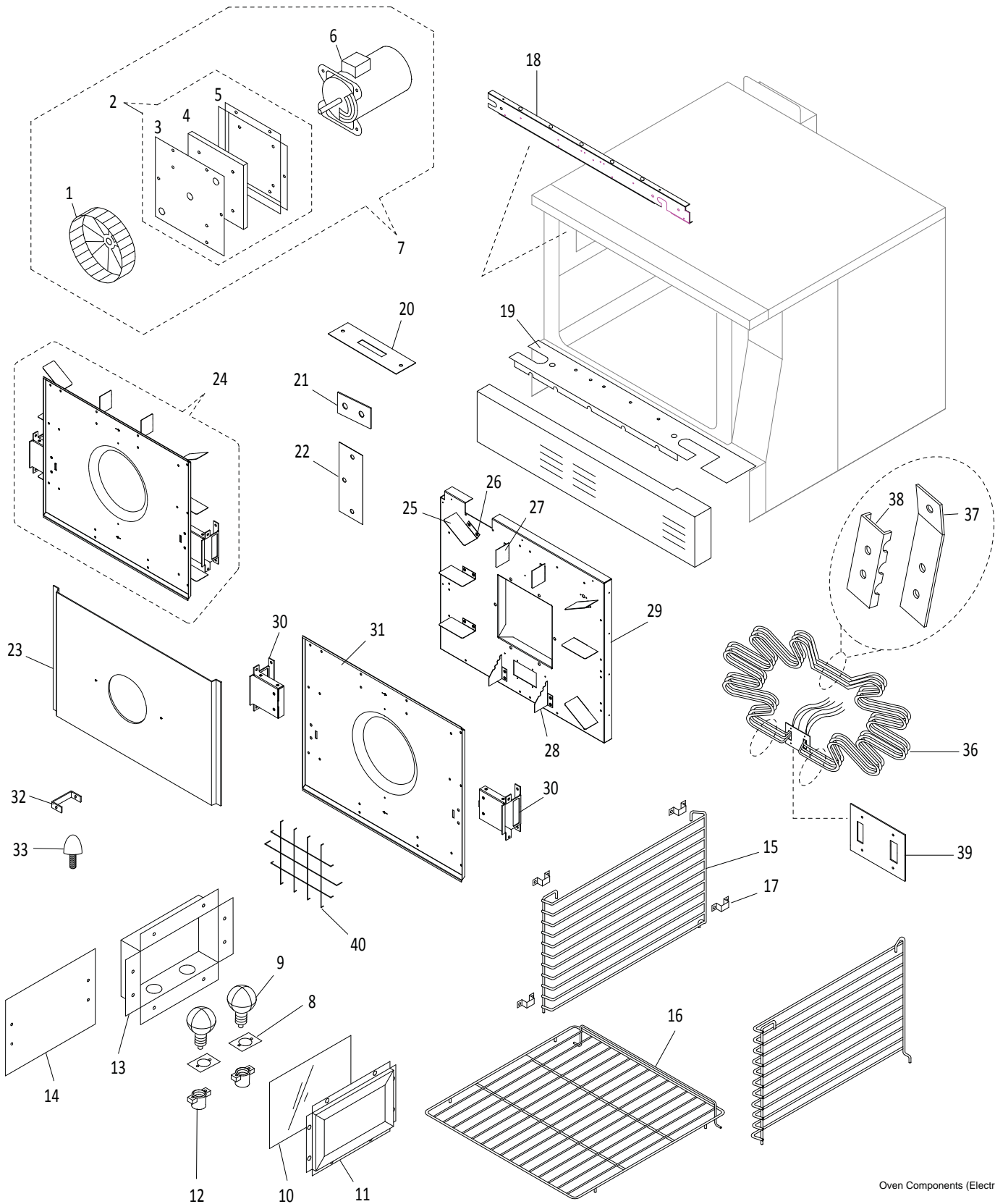
**COMPLETE DOOR ASSEMBLIES (PRISON)**

<b>Units Manufactured Date</b>	<b>Dependent or Independent Door</b>	<b>Prison Left Door (with Window)</b>	<b>Prison Left Door(Solid)</b>	<b>Prison Right Door (with Window)</b>	<b>Prison Right Door (Solid)</b>
Apr-00 to 31-Dec-02	Dependent	CK02-007 (NLA)	CK02-005 (NLA)	NA	CK02-006 (NLA)
Jan-03 to 14-Apr-05	Dependent	CK1924867 (LQ)	CK1924866 (LQ)	NA	CK1924966 (LQ)
From 14-Apr-05 to Present	Dependent (Ext. Bearing Plate)	4520317	4520315	NA	4520316

**LQ** = Limited Quantity. Item will not be available once stock is out.

**NLA** = No Longer Available

### OVEN COMPONENTS



Oven Components (Electric)

**GARLAND Master Series Full Size Electric Convection Ovens**  
*models MCO-ES/ED-10/20, MCO-ES/ED-10S/20S*

**OVEN COMPONENTS**

ITEM	PART #	DESCRIPTION	QTY	FROM DATE	UP TO DATE	CRITICAL
1	<a href="#">G02952-01P</a>	Blower Wheel Assembly Plated	1			
2	<a href="#">1916499</a>	Motor Pocket Assembly	1			
3	<a href="#">1916401</a>	Plate, Motor Pocket Front	1			
4	<a href="#">1915921</a>	Insulation - Motor Pocket	1			
5	<a href="#">1916402</a>	Motor Pocket Back	1			
6	<a href="#">1686712</a>	Motor 3/4 HP, 208/240V, 2 Speed	1			
7	<a href="#">CK1003091</a>	<b>Motor Assembly - 2 Speed - 208/240 V</b>	1			C
8	<a href="#">1025900</a>	Light Socket Gasket	2			
9	<a href="#">1623900</a>	<b>Light Bulb - 40W</b>	2			
10	<a href="#">1676901</a>	Glass, High Temp	1			
11	<a href="#">1921801</a>	Cover, Light Box	1			
12	<a href="#">1025800</a>	Lamp Socket - Porcelain	2			
13	<a href="#">1921902</a>	Light Box	1			
14	<a href="#">1928299</a>	Plate, Light Box Patch - Porcelain (for no oven light option)	1			
	<a href="#">1928201</a>	Plate, Light Box Patch - SS (for no oven light option)	1			
15	<a href="#">1922001</a>	Oven Rack Guide - 10 Positions, Standard	2			
	<a href="#">1922002</a>	Oven Rack Guide - 10 Positions, Deep	2			
	<a href="#">1922101</a>	Oven Rack Guide - 13 Positions, Standard	2			
	<a href="#">1922102</a>	Oven Rack Guide - 13 Positions, Deep	2			
16	<a href="#">1922211</a>	Oven Rack - Standard	6			
	<a href="#">1922212</a>	Oven Rack - Deep	6			
17	<a href="#">1765212</a>	Oven Rack Clip	8			
18	<a href="#">1925201</a>	Channel - Upper Hinge	1	14-APR/05		
19	<a href="#">1925202</a>	Channel - Lower Hinge	1	14-APR/05		
20	4527190	Oven Vent Cap - MCO, Electric	1			
21	1843301	Probe Patch (for SS Interior Option)	1			
22	<a href="#">1809301</a>	Inlet Patch	2		18-SEP/09	
23	<a href="#">1901602</a>	Baffle - MCO ( <b>No Longer Available</b> ) <b>Note:</b> Unit manufactured UP TO 18-Sep-2009 requires item# 24.	1	<b>NLA</b>	18-SEP/09	
24	<a href="#">CK4527817</a>	Kit - MCO Electric, Fan Cover with Air Diverter <b>Note:</b> <ul style="list-style-type: none"> <li>Use this Kit for any unit built UP TO 18-Sep-2009.</li> <li>Kit includes an Air Diverter Assembly (as shown), an Oven Vent Cap, fasteners, and an instructions.</li> </ul>	1		18-SEP/09 (SEE NOTE)	
25 <sup>++</sup>	4527186	Air Diverter - 4.75"	6	19-SEP/09		
26	<a href="#">8002106</a>	#10 x 1/2", SMSCP, TH PHIL-A, STL 2P	20	19-SEP/09		
27 <sup>++</sup>	4527187	Air Diverter - 3"	2	19-SEP/09		
28 <sup>++</sup>	4527188	Air Diverter - Bottom	2	19-SEP/09		
29 <sup>++</sup>	4527185	Cavity Back Panel (Porcelain)	1	19-SEP/09		
	4527276	Cavity Back Panel (SS)	1	19-SEP/09		
30 <sup>++</sup>	<a href="#">CK4527194</a>	Fan Cover Mounting Assembly	2	19-SEP/09		
31 <sup>++</sup>	<a href="#">4527191</a>	Fan Cover Back	1	19-SEP/09		
32	<a href="#">1925006</a>	Baffle Mounting Bracket ( <b>No Longer Available</b> )	2	<b>NLA</b>	18-SEP/09	
33	<a href="#">8005000</a>	1/4 Turn Pin	2		18-SEP/09	
34*	<a href="#">8005100</a>	1/4 Turn Fastener Receptable	4			

\* NOT ILLUSTRATED

**RECOMMENDED STOCK PARTS**

\*\* **Note:** For units built FROM 19-Sep-09 / serial# 0909100200337 / model# MCO-ED-10-0007.

**GARLAND Master Series Full Size Electric Convection Ovens**  
*models MCO-ES/ED-10/20, MCO-ES/ED-10S/20S*

**OVEN COMPONENTS**

ITEM	PART #	DESCRIPTION	QTY	FROM DATE	UP TO DATE	CRITICAL
36	<a href="#">4518354</a>	<b>Complete Element Assembly - 10 kW 208V</b>	1			C
	<a href="#">4518356</a>	<b>Complete Element Assembly - 10 kW 240V</b>	1			C
	<a href="#">4518357</a>	<b>Complete Element Assembly - 10 kW 460V</b>	1			C
	<b>Note:</b> A Complete Element Assembly includes heating elements, mounting brackets (item 37), element clamps (item 38), and wire leads.					
37	<a href="#">1925007</a>	Bracket - Element Mounting. <b>Note:</b> No Longer Available. Part is shown and listed for reference only. Not sold separately.	3			
38	<a href="#">1547600</a>	Element Clamp	3			
39	<a href="#">1928205</a>	Plate - Element Opening	1			
40	<a href="#">1014500</a>	Blower Inlet Cover	1			
41*	<a href="#">113361</a>	Insulation Kit - Standard Depth	1			
	<a href="#">113364</a>	Insulation Kit - Deep Depth	1			
42*	<a href="#">115074</a>	Drip Pan - Standard Depth	1			
	<a href="#">115075</a>	Drip Pan - Deep Depth	1			

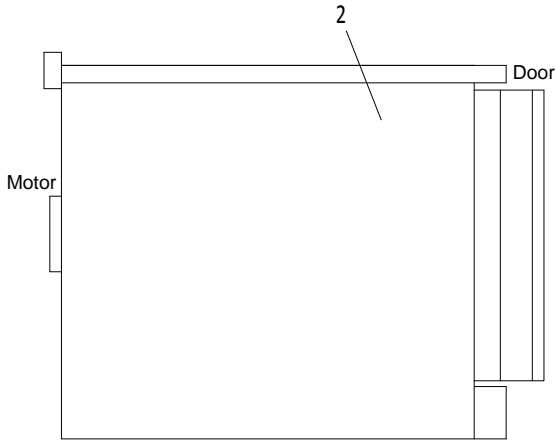
\* NOT ILLUSTRATED

**RECOMMENDED STOCK PARTS**

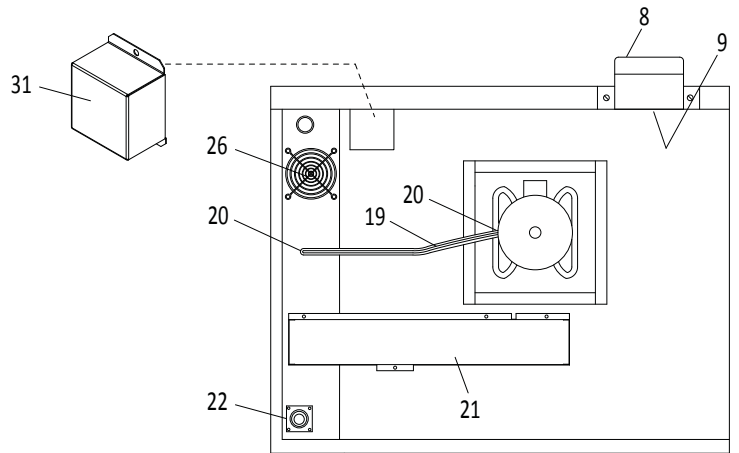
\*\* **Note:** For units built FROM 19-Sep-09 / serial# 0909100200337 / model# MCO-ED-10-0007.

Blank Page

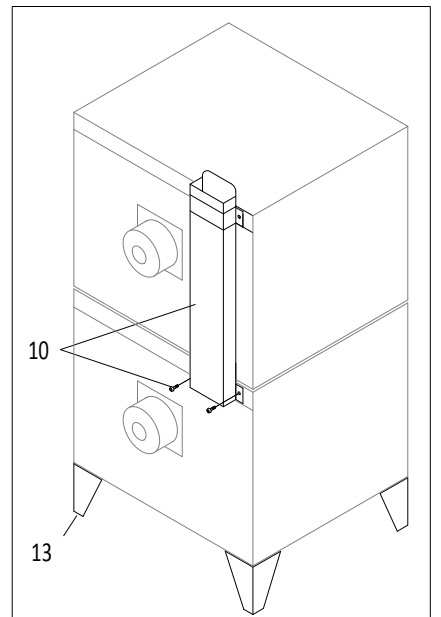
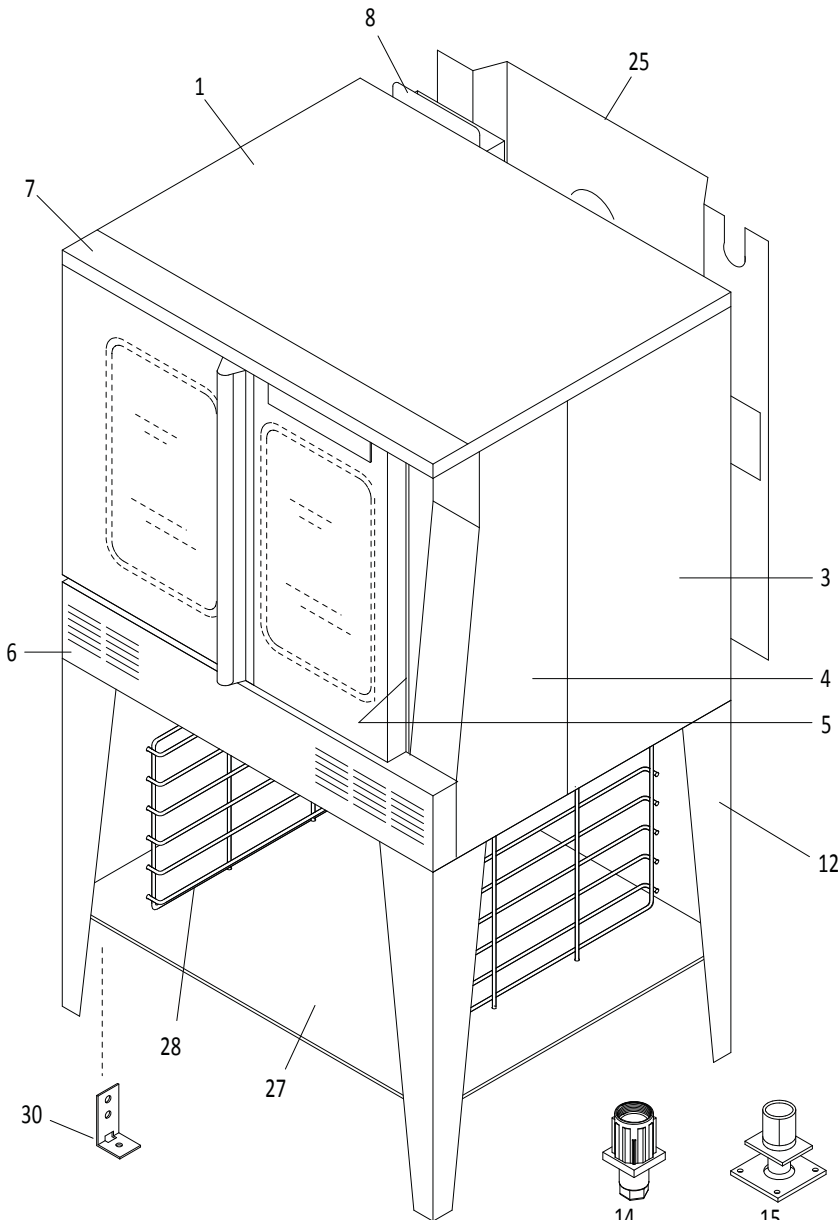
## EXTERIOR COMPONENTS



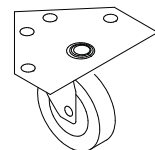
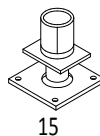
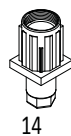
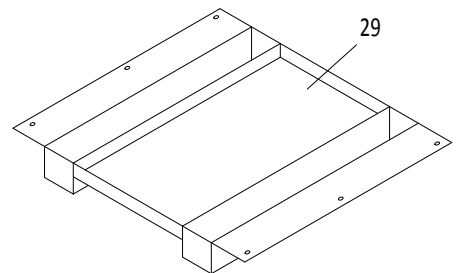
LEFT SIDE VIEW



REAR VIEW



DOUBLE DECK with FLUE ASSEMBLY and LEGS



Exterior Components

**GARLAND Master Series Full Size Electric Convection Ovens**  
*models MCO-ES/ED-10/20, MCO-ES/ED-10S/20S*

**EXTERIOR COMPONENTS**

ITEM	PART #	DESCRIPTION	QTY	FROM DATE	UP TO DATE	CRITICAL
1	<a href="#">1917602</a>	Cover - Main Top, SS	1			
2	<a href="#">1920201</a>	Cover - Body Side, Left, SS	1			
3	<a href="#">1918701</a>	Cover - Body Side, Right, SS	1			
4	<a href="#">1918801</a>	Cover - Control Panel, Right, SS	1			
	<a href="#">1925999</a>	Cover - Control Panel, Right (Prison)	1			
5	<a href="#">1925501</a>	Cover - Control Panel, Left, SS	1			
	<a href="#">1925599</a>	Cover - Lockable Control Panel (Prison)	1			
6	<a href="#">CK4519724</a>	Cover - Lower Front Trim, SS	1			
6A*	<a href="#">8003107</a>	#10-24 x 3/4" Machine Screw-Th-Phl (for Lower Front Trim Cover)				
7	<a href="#">1925301</a>	Cover - Upper Front Trim, SS	1			
7A*	<a href="#">8002107</a>	#10 x 1/2" Machine Screw-Th-Phl-B Stl 2P (for Upper Front Trim Cover)				
8	<a href="#">1919999</a>	Vent Assembly - Outer (Standard or Deep)	1			
9	<a href="#">1919399</a>	Vent Assembly - Standard	1			
	<a href="#">1919398</a>	Vent Assembly - Deep	1			
10	<a href="#">CK1920099</a>	Flue Assembly for Double Deck <b>Note:</b> Kit includes sheet metal flue channels (part# <a href="#">1920001</a> , <a href="#">1920002</a> ) and fasteners ( <a href="#">8002106</a> ).	1			
12	<a href="#">1927199</a>	Leg - Sing Deck, for Caster, SS, approx. 19-3/4"H	4			
	<a href="#">CK1927197</a>	Leg - Sing Deck, for Foot Insert, SS, 24"H	4			
13	<a href="#">1927195</a>	Leg - Double Stack, SS	4			
14	<a href="#">1236100</a>	1-1/2" Square Foot Insert - Chrome Plated	4			
15	<a href="#">1949701</a>	Flanged Foot Insert ( <b>Optional Feature</b> )	4			
16	<a href="#">1775102</a>	Caster Insert (Single Deck Only)	4			
17	<a href="#">1926501</a>	Caster - 4" Swivel without Brake, 3/4NPT	4			
	<a href="#">1926502</a>	Caster - 4" Swivel with Brake, 3/4NPT	4			
18	<a href="#">1926531</a>	Heavy Duty Caster - 5" Swivel NO Brake, Double Deck	4			
	<a href="#">1926532</a>	Heavy Duty Caster - 5" Swivel WITH Brake, Double Deck	4			
	<a href="#">4524736</a>	Kit - Casters 3" Swivel without Brake (low profile) <b>Note:</b> Kit Includes Two Casters	1			
	<a href="#">4524737</a>	Kit - Casters 3" Swivel with Brake (low profile) <b>Note:</b> Kit Includes Two Casters	1			
19	<a href="#">1029426</a>	3/8 BX Cable 26" Long	1			
20	<a href="#">1028501</a>	BX Connector - Straight	1			
21	<a href="#">1927899</a>	Element Wire Raceway	1			
22	<a href="#">G1053-3-8</a>	Knockout Plate with Holes (Alt. 4523287)	1			
25	<a href="#">1921001</a>	Cover - Main Back, Std SS	1			
	<a href="#">1921003</a>	Cover - Main Back, Deep SS	1			
	<a href="#">1921098</a>	Cover - Main Back, Std Depth (Prison)	1	APR/00	FEB/02	
	<a href="#">1921089</a>	Cover - Back, Standard Depth (Prison)	1	FEB/02		
	<a href="#">1921099</a>	Cover - Main Back, Deep Electric (Prison)	1	APR/00	FEB/02	
	<a href="#">1921087</a>	Cover W/A-Deep Depth Electric (Prison)	1	FEB/02		
	<a href="#">1921086</a>	Cover W/A-Deep Depth 460V (Prison)	1			
26	<a href="#">1919001</a>	Cooling Fan Guard - 120mm	1			
27	<a href="#">1926902</a>	Panel - Open Base, SS	1			
28	<a href="#">1926702</a>	Rack Guide - Lower, Open Base	2			
29	<a href="#">1926802</a>	Support - Rack Guide, Upper	1			
30	<a href="#">1927001</a>	Clip - Lower Rack Guide Support	4			
31	<a href="#">1916301</a>	Probe Connector Cover	1			

\* NOT ILLUSTRATED

**RECOMMENDED STOCK PARTS**

**GARLAND MASTER FULL SIZE ELECTRIC CONVECTION OVEN**  
*models MCO-ES/ED-10/20, MCO-ES/ED-10S/20S*

**Electric Wiring Diagrams**

*(For Reference Only. Please contact Tech Service for assistance)*

<b>PART #</b>	<b>DESCRIPTION</b>
1949514	208/220/240 Volt 60Hz Electric - Mechanical Control (200 Series)
1949504	208/240 Volt 60Hz Electric - FAST Control (300 Series / 400 Series)
1949515	460 Volt 60Hz Electric - Mechanical Control (200 Series)
1949505	460 Volt 60Hz Electric - FAST Control (300 Series / 400 Series)
1949506	Wiring Diagram - Fast Electric 380/415V 50Hz
4522526	Wiring Diagram - 410/200 Conversion Kit
4518907	Wiring Diagram - COM6000/IM200 ELEC

**Controller Conversion Kits**

*(For Reference Only. Please contact Tech Service for assistance)*

<b>PART #</b>	<b>DESCRIPTION</b>
<a href="#">4522523</a>	450/410 To 200 Conv. Kit - MCO Electric
<a href="#">4518192</a>	200 To 450 Conv. Kit - MCO Electric <b>Note: Kit will not be available once stock is out</b>

**Oven Interior Kits**

*(For Reference Only. Please contact Tech Service for assistance)*

<b>PART #</b>	<b>DESCRIPTION</b>
<a href="#">CK4527817</a>	Kit - MCO Fan Cover - W/Air Diverters - MCO Electric <b>Note:</b> This kit is required for all units manufactured UP TO 18-SEPTEMBER-2009.

**Single Deck Kits (Legs / Casters / Open Base)**

*(For Reference Only. Please contact Garland Sales Department for assistance)*

<b>PART #</b>	<b>DESCRIPTION</b>
1951213	S/S Open Base & Feet Kit - Full Size MCO
1951214	S/S Open Base & Casters - Full Size MCO
1951204	Single Deck S/S Legs & Feet Inserts - Full Size MCO
1951205	Single Deck S/S Legs and Casters - Full Size MCO

**Double Deck Kits (Legs / Casters)**

*(For Reference Only. Please contact Garland Sales Department for assistance)*

<b>PART #</b>	<b>DESCRIPTION</b>
1951209	Kit MCO - Heavy Duty Casters - Full Size MCO
1951210	Kit MCO - LO-Profile Casters - Full Size MCO
1951221	Electric - Double Deck Leg Stacking Kit
1951225	Electric - Double Deck Caster Stacking Kit
<a href="#">1951227</a>	Electric - Double Deck Low Profile Caster Stacking Kit

**SERVICE KITS**

<b>PART #</b>	<b>DESCRIPTION</b>
<a href="#">4602253</a>	KIT, DOOR SHIMS FULL SIZE CONV OVENS
CK115350	KIT, HEAT SHIELD FULL SIZE CONV OVENS

**GARLAND MASTER FULL SIZE ELECTRIC CONVECTION OVEN**  
*models MCO-ES/ED-10/20, MCO-ES/ED-10S/20S*

**CRITICAL & RECOMMENDED STOCK PARTS LIST**

<b>PART #</b>	<b>DESCRIPTION</b>	<b>CRITICAL**</b>
300867	Power Control Board - Solid State Controller, 150-500 deg F	R, C
1010999	Oven Door Window (3/16" Glass)	R
1033700	Transformer - 460V 2KVA 50/60Hz (460V MCO ONLY)	C
1130103	Fuse - 20A 300V SC-20	R, C
1130109	Fuse - 15A 600V Class CC	R, C
1193900	Terminal Block - 3 Pole	C
1623900	Light Bulb - 40W	R
1637002	Contactactor - 240V Coil	C
1671101	Cooling Fan 208 / 240 V	C
1686712	Motor 3/4 HP, 208/240V, 2 Speed	C
1855603	High Temp Door Micro Switch (for MCO-GS/GD-10 models)	R, C
1905701	IM300 Digital Control Board <b>(NLA)</b>	C
1905702	IM410 Digital Control Board <b>(NLA)</b>	C
1905703	IM450 Digital Control Board with Cook-N-Hold <b>(NLA)</b>	C
1905704	IM455 Digital Control Board with Cook-N-Hold & Core Probe <b>(NLA)</b>	C
1906002	Probe - RTD, Flange Mount (USE ONLY WITH 1906003)	C
1906003	Cable Assembly - Probe Extension (USE ONLY WITH 1906002)	C
1911601	Potentiometer - Encoder	C
1916901	Relay Board PCB Assembly	C
1917098	Relay Board Assembly - 208/240V (includes items 1916901, 1917198, 1033700)	C
1917198	Transformer - 208/240V to 24VAC	C
1924411	Center - Right Door Seal	R
1924412	Center - Left Door Seal	R
1924601	Seal - Door, Left & Right	R
1924711	Seal - Door Top	R
1924712	Seal - Door, Bottom	R
1928209	Plate - Door Handle (for units manufactured UP TO 14-Apr-2005) <b>Note:</b> Item will not be available once stock is out.	R
1955101	Switch - Thermal Disc, Cooling Fan	R, C
1955401	Rocker Switch - 3 Positions, Cook/Off/CoolDown	C
1955402	Rocker Switch - 2 Positions, Hi/Low	R, C
1955403	Momentary Rocker Switch	C
1955601	Potentiometer	R, C
CK11000301072	TIMER; COMPLETE; 230V Conversion; DIGITAL; 90 MIN (for 208V, 240V, 460V ovens, gas/electric)	C
4514192	IM470 Digital Control Board <b>(NLA)</b>	C
4516982	Terminal Block - 10mm	C
4518354	Complete Element Assembly - 10 kW 208V	R, C
4518356	Complete Element Assembly - 10 kW 240V	R, C
4518357	Complete Element Assembly - 10 kW 460V	R, C
4519715	Door Micro Switch - High Temp, High Current (for MCO-GS/GD-10S (200 series) models)	R, C
4520166	Door Chain Assembly	R, C
8003123	#10-24 x 5/8" Machine Screw - Phillips, Stl, 2P (for Door Center Seals)	R
4522523	Controller Replacement/Conversion Kit (Gas) - from digital to manual Master 200 control	C
4527484	Relay Board / SRB - Digital Control, Elreha	C
4529705	Controller Replacement Kit - <b>MCO 450</b> (Gas/Electric), Elreha	C
4529706	Controller Replacement Kit - <b>MCO 455</b> (Gas/Electric), Elreha	C
CK1003091	Motor Assembly - 2 Speed - 208/240 V	R, C
5113851	Relay Board Assembly - 208/240V	C

\*\* C = CRITICAL PARTS / R = RECOMMENDED STOCK PARTS

**NLA** = No Longer Available

## GARLAND PARTS IDENTIFICATION

### BULLETINS

**(For all full size convection ovens)**

<b>CATEGORY</b>	<b>BULLETIN#</b>	<b>SUBJECT</b>	<b>DATE</b>
Parts, Technical	GAR-03-12-AIC	Master 200 Series Controller (Od P/N 1955501; New P/N 300867)	2012-02-08
Parts, Technical	GAR-11-12-AC	New Elreha Controller Critical & Recommended Stock Parts	2012-09-21
Parts, Technical	GAR-06-13-AIC	Error Messages and Description, Elreha Digital Controls	2013-09-06
Parts, Technical	GAR-04-14-AC	Door Switch Replacement Kits	2014-02-14
Parts, Technical	GAR-02-14-AC	Digital Controller Conversion Kits Availability Chart	2014-01-28
Parts, Technical	GAR_SB_0006	New Electrical Phase Conversion Kit (P/N 4533009)	2015-10-07
Parts, Technical	GAR_SB_0040	Garland Part 300867 PCB Temperature Controller	2016-11-04
Parts, Technical	GAR_SB_0044	Updates! New Garland Part 300867 PCB Temperature Controller (Identifying new vs old parts)	2016-12-06
Parts, Technical	GAR_SB_0043	Door Shim Service Kit P/N 4602253	2016-11-21
Parts, Technical	GAR_SB_0049	New Timer Kits for Convection Ovens with Master 200 / Manual Controllers, Kits CK11000301070 and CK11000301072	2017-02-14
Technical	B-97-2009-S	New Axial Cooling Fan Install Instructions	2009-09-17
Technical	GAR-08-13-AIC	Keypad Test Points Chart (Elreha Digital Control)	2013-10-16
Warranty	GAR_SB_0047	Returning Warranty Required Parts (supersedes GAR-20-13-A)	2016-12-21

## REVISION HISTORY (MCO-ES/ED-10)

REV	PAGE#	ITEM#	NOTES	DATE
16	30	37	Added note: part listed for reference. Item 38- still available.	FEB 27/14
	30	49	New drip pans. Ref:ECN130005.	
	5	3,5	(IM200) Black Overlays 1789605 and 1908526 - still available. (IM200) Added silver overlays 115260, 115269. PCC 130093	
	10-11		<ul style="list-style-type: none"> <li>• Created new section: Fastron Controller Replacement Kit Option Chart. Modified previous illustrations. No change to Fastron kits from 2012.</li> <li>• New Cooling Kits for Elreha, PCC 130205.</li> </ul>	
	24-27		New door switch kits; New bracket for door switch; new CAM assebmly for door switch. PCC# 130223.	
	36		New bulletins	
	8	3	Added overlay 115269. 1933511(black) is still available.	
	8-9		Marked items that are no longer available.	
	13	3 4A	Added overlay 115269. PCC 130093 Overlays 1908503, 1908505 are still available.	
	17	3 4A	Overlay 115269 replaced 1835906. PCC130093. Overlay 115261 replaced 4529263; 115262 replaced 4529265 PCC130093	
	35		Updaed critical and recommended parts table	
24	37, 49	Corrected illustration. Arms on frames are bented.		
17			New rating plate location - all models Feb 2015 New KitchenCare covers. Minor revisions to some part numbers, added pre-fix CK. Many door assemblies for older models are no longer available.	FEB 03/15
	26	35, 48, 46	Door insulation - current 113862, was 1915914; 113863, was 1915915; 113864, was 1915916; 113864, was 1915917. Logo - current 4529724, was 3077100	
18	5	4	1946690 supersedes CK1946690 ECO-000857A	MAY 12/17
	34		Added Service Kit table New door shim kit ECO-000928A New heat shield kit ECO-000830	
	26	49	CK4520374 supersedes 4520374 ECO-000745	
	29	30	CK4527194 supersedes 4527194 ECO-001394	
	5	12	New digital timer kit supersedes 1956002, on manual control. Bulletin GAR_SB_0049.	
	37		Updated bulletin list	



1-844-724-CARE • [www.mtwkitchencare.com](http://www.mtwkitchencare.com)