



**GAS INFRA-RED  
SALAMANDER BROILER  
MIR-34L**

**PARTS LIST**

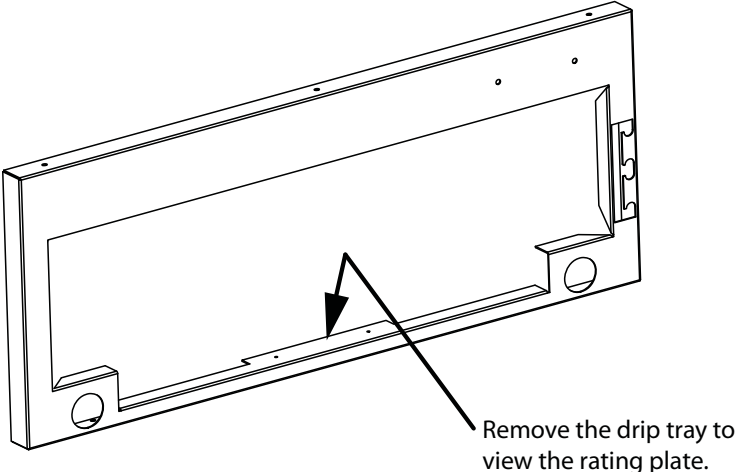
Toll Free Phone, (US & Canada): (800) 427-6668

Toll Free Fax, (US & Canada): (800) 361-7745

<http://www.garland-group.com>

# Rating Plate Location

---



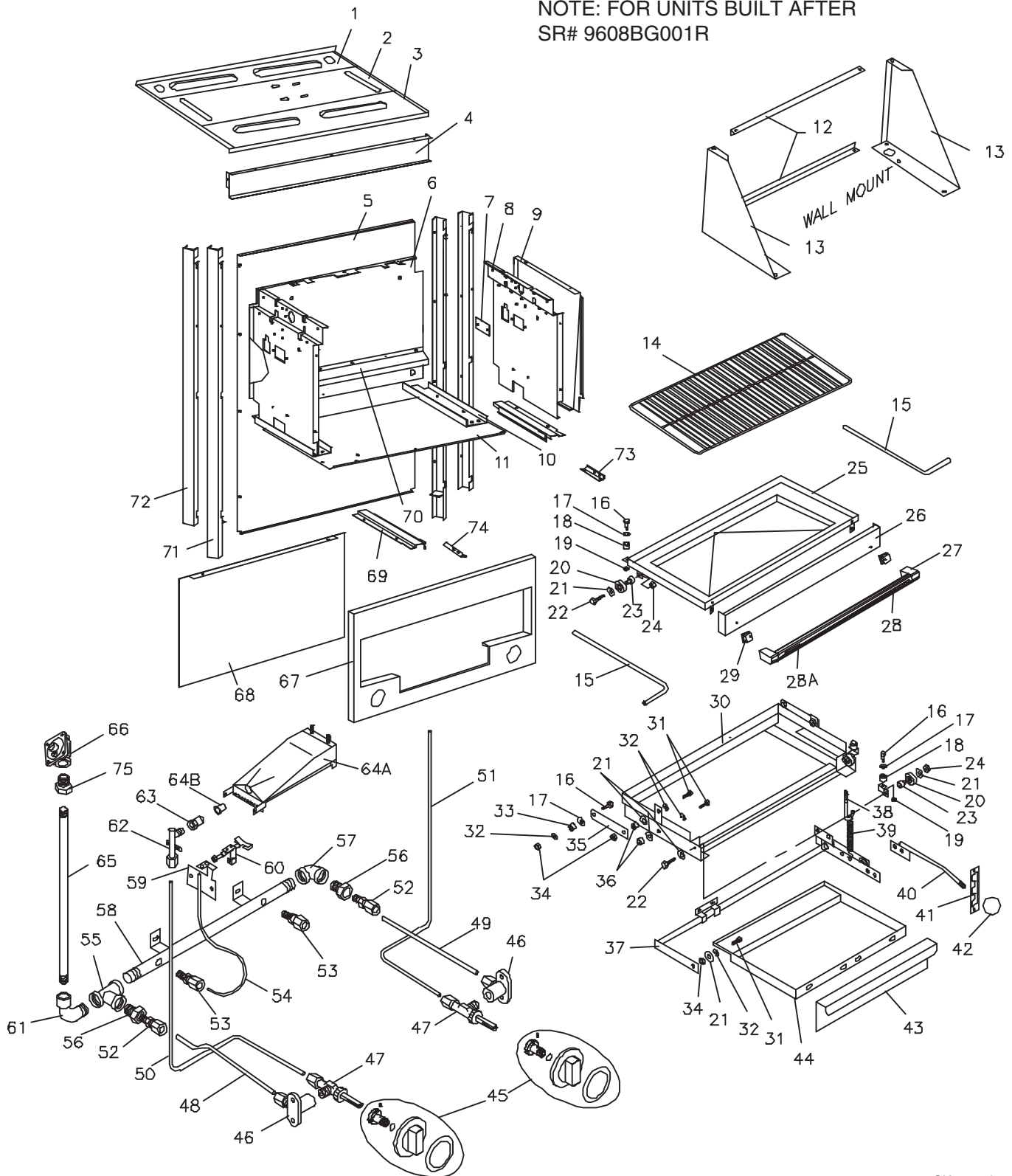


**GAS INFRA-RED  
SALAMANDER BROILER  
MIR-34L**

***Contents:***

Rating Plate Location ..... 2  
Components ..... 4  
Revision History..... 7

NOTE: FOR UNITS BUILT AFTER  
SR# 9608BG001R



SK3403.dwg

**GARLAND PARTS IDENTIFICATION**  
**Gas Infra-Red Salamander Broiler model MIR-34L**

ITEM	PART #	DESCRIPTION	QUANTITY
1	G01377-1-6	Main Top Back	1
2	G01376-1-6	Main Back Center	1
3	G01375-1-6	Main Top Front	1
4	G01391-1-6	Front Brace	1
5	G6704-34-7	Main Back 34"	1
6	2584000	Flue Back	1
7	G01372-1-6	Orifice Fitting Cover	2
8	2584100	Side Liner R/H	1
	2584101	Side Liner L/H	1
9	G01392-1-91	Main Side R/H	1
	G01392-1-92	Main Side L/H	1
10	G01378-01-61	R/H Bottom Assembly	1
	G01378-01-62	L/H Bottom Assembly	1
11	2540800	Bottom Cover	1
12	G01467-1-5	Angle Bracket	2
13	2582602	Bracket R/H	1
	2582603	Bracket L/H	1
14	1347200	Salamander Rack	1
15	1387200	Protecting Rod	2
16	1031301	Broiler Rack Roller Pin	4
17	1031302	Rack Roller Wire Spacer	4
18	<b>1035400</b>	<b>Double Row Unground Bearing</b>	4
19	F76	1/4-20 UNC Nut	4
20	<b>G01244-1</b>	<b>Bearing</b>	4
21	F112	3/8" Flat Washer	4
22	G6424	Leveling Bolt	4
23	<b>G01247-3</b>	<b>Rear Bushing</b>	4
24	F78	3/8"-16 Nut	4
25	1037286	Rack Frame Weld Assy	1
26	1819101	Rack Handle Front	1
27	CK30	Door Handle (Full Size)	1
28	2193100	Door Handle Bar (NLA when out)	1
28A	1592007	Handle Overlay	1
29	2580600	Door Handle End Insert (NLA when out)	2
30	1342596	Rack Frame Assy	1
31	F40	1/4-20 x 3/4" LG.Hex Bolt	4
32	F111	1/4" Flat Washer	4
33	<b>G01247-3</b>	<b>Rear Bushing</b>	4
34	F76	1/4-20 Nuts	4
35	1342001	Upper Arm Assembly	2
36	<b>1031300</b>	<b>Broiler Rock Roller Bushing</b>	4
37	<b>1342499</b>	<b>Lever Assy</b>	1
38	<b>9004701</b>	<b>Oven Door Spring Hook</b>	1
39	<b>1005803</b>	<b>Springs</b>	1
40	1342198	Handle Assy N/C Plate	1
41	1341800	Face Plate	1
42	<b>4526336</b>	<b>Gray Ball Knob</b>	1
43	2540700	Grease Tray Front	1
44	2601300	Grease Tray (used up to 12/17/01)	1
	2601301	Grease Tray (used from 12/17/01)	1

\* NOT ILLUSTRATED

**RECOMMENDED STOCK PARTS**

**GARLAND PARTS IDENTIFICATION**  
**Gas Infra-Red Salamander Broiler model MIR-34L**

ITEM	PART #	DESCRIPTION	QUANTITY
45	<b>4512124</b>	<p><b>Knob Kit Hi/Low Valve. Introduced August 2002.</b></p> <p>SCREW F561, F562            KNOB HUB 3043200            RETAINING SPRING 3043300            KNOB 3043100            DIAL INSERT 2225300</p>	1
46	G01435-1	Elbow Flanged	2
47	G01410-1	Valve Hi-Lo 1/4 NPT to 7/16 CC	2
48	4522554	7/16 Steel Tubing x 8.937"	1
49	4522554	7/16 Steel Tubing x 8.937"	1
50	G01473-1-81	7/16 Steel Tubing x16.312"	1
51	4527406	7/16 Steel Tubing x 16.312"	1
52	G01243-1	Fitting	2
53	<b>G6809</b>	<b>Valve Pilot</b>	2
54	GM308	1/4 Aluminum Tubing x 19", for pilot (sold by foot)	2
55	4521448	1/2" NPT Tee	1
56	G01569-1	1/2" to 1/4" NPT Reducer	2
57	G01474-2	1/2" NPT Elbow	1
58	G01412-01-8	Manifold Assy	1
59	1815602	Pilot Bracket LH/RH	2
60	<b>1806601 NAT</b>	<b>NAT IR SAL Pilot Burner Assy</b>	2
	<b>1806602 LP</b>	<b>LP IR SAL Pilot Burner Assy</b>	2
61	4521449	Elbow-Street 1/2" NPT 90 DEG	1
62	G01411-XX	Orifice Fitting Holder	2
63	<b>G01411-48</b>	<b>Orifice Fitting #48 Nat</b>	2
	<b>G01411-55</b>	<b>Orifice Fitting #55 LP</b>	2
64A	<b>CK117</b>	<b>Burner Assembly</b>	2
64B	9100300	Brass Eyelet	2
65	G01477-1	Nipple 1/2" NPT x12 3/4" Raw	
66	<b>2127503</b>	<b>Regulator Nat</b>	1
	<b>2127500</b>	<b>Regulator LP</b>	1
67	1038704	Main Front S/S MIR34L (NO LONGER AVAILABLE)	1
68	2567800	MSR16 Front Panel	1
69	G01384-01-61	Valve Housing R/H Assembly	1
	G01384-01-62	Valve Housing L/H Assembly	1
70	1819001	Salamander Grease Shield	1
71	2582397	Bracket Upright Assy L/H or R/H	2
72	2584500	Upright Veneer MIR-34L	2
73	2588601	Strip Filler R/H	1
74	2588600	Strip Filler L/H	1
75	G01918-5	Bushing 3/4 to 1/2 NPT Brass	1

\* NOT ILLUSTRATED

**RECOMMENDED STOCK PARTS**

**GARLAND PARTS IDENTIFICATION**

**Revision History**

REV	PAGE	ITEM #	NOTE	DATE	BY
3	4		New Drawing	Jan 22/04	
4	4	64B	Drawing Added	Jul 22/05	
	6	64A	Item # was 64		
		64B	New Part Number		
5	6	45	Part Numbers <a href="#">1800606</a> & <a href="#">1800604</a> Knobs Are No Longer Available	Aug 03/05	
			New Knob Number Inserted		
	7		Knob Insert Information Added		
	4	45	Drawing Updated		
6	5-6	13,27,35 42,48,49 51,54,55 61,71	#54-PCO04401, <a href="#">G01494-16</a> was GM329; PARTS use <a href="#">GM308</a> .	Jun 13/14	HH
		11,12,19 21,24,28 28A,29 31,32,34 41,65,67 72	Items no longer in BOM. Parts are still available or per status indicated.		
			Added rating plate location		

 **Garland**<sup>®</sup>