

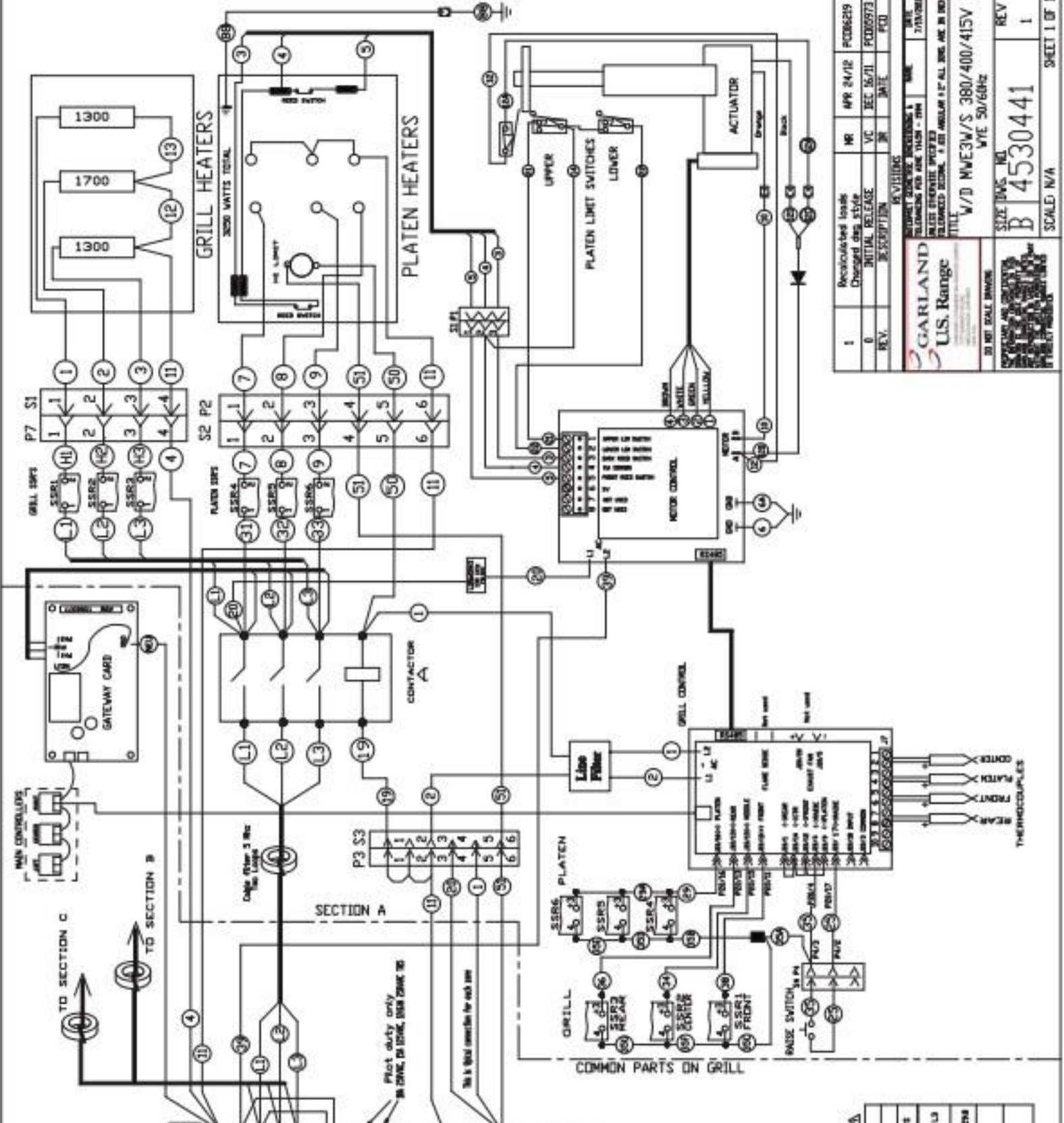
SEE POWER CONNECTION OPTIONS TABLE



**POWER CONNECTION OPTIONS**

POSSIBLE PLUS CONFIGURATIONS	AUXILIARY EQUIPMENT CONNECTIONS TO SWITCH IN TB2 (L1, L2, L3, L4, L5, L6, L7, L8, L9)	FROM	TO
MEMOXES 7	MEMOXES 7, PING 36	MEMOXES 7	MEMOXES 7
MEMOXES 5 & 3	MEMOXES 5, PING 32	N/A	MEMOXES 5
MEMOXES 5 & 3	MEMOXES 5, PING 32	External Connection	MEMOXES 5
MEMOXES 5 & 3	MEMOXES 5, PING 32	External Connection	MEMOXES 5
MEMOXES 5 & 3	MEMOXES 5, PING 32	External Connection	MEMOXES 5

NOTE: THIS DIAGRAM SHOWS ONLY SECTION A AND COMMON GRILL PARTS. OTHER SECTIONS HAVE THE SAME WIRING DIAGRAM AS SECTION A.



1	Recalculated loads	NR	APR 24/12	PCD066219
0	Changed des style	VC	DEC 16/11	PCD05973
REV.	DESCRIPTION	DR	DATE	FILE

**REVISIONS**

REVISIONS FOR AKE 11/18 - 11/18

PLEASE REFER TO THE FOLLOWING DRAWINGS FOR AKE 11/18 - 11/18

FILE: W/D MVE3W/S 380/400/415V WYE 50/60Hz

SIZE: DWS, NO. B 4530441

SCALE: N/A

REV. 1

SHEET 1 OF 1

**LOADING BY PER PHASE**

MODEL	TOTAL KW LOAD	200-230V			400-415V				
		TYP. TOTAL APPS	MAX. TOTAL APPS	MAX. TOTAL APPS	TYP. TOTAL APPS	MAX. TOTAL APPS	MAX. TOTAL APPS		
MEMOX	79	84	72	263	262	264	263	264	264
Input 1 TB1	61	61	61	61	61	61	61	61	61