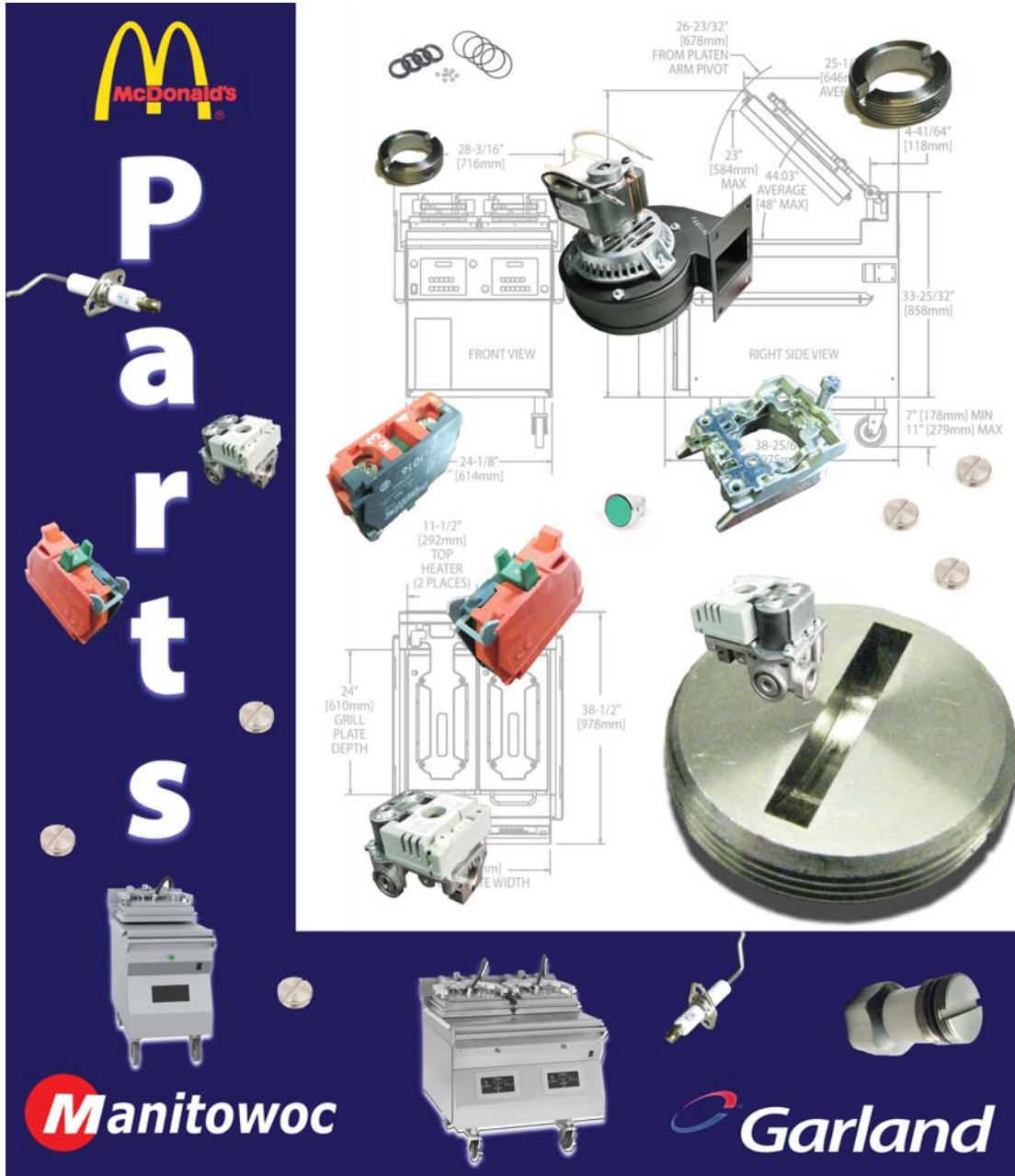


PART LIST MANUAL

**GARLAND 1 & 2 PLATEN
ELECTRIC & GAS
CLAMSHELL GRILLS
WITH PRODUCT RECOGNITION**

MODELS:

**MWE1W-1 MWE2W-1
MWE1S-1 MWE2S-1
MWG1W-1 MWG2W-1**



MANUFACTURED EXCLUSIVELY FOR McDonald's BY
GARLAND COMMERCIAL RANGES
<http://www.garland-group.com/>

CONTENTS

Contents

CONTENTS 2

INTRODUCTION 3

WARRANTY 3

SHIPPING DAMAGE CLAIM PROCEDURE. 3

GRILL EXTERIOR, ALL MODELS. 4

GRILL ELEMENT, ELECTRIC MODELS 6

GRILL BURNER, GAS MODELS 8

GRILL BURNER, GAS MODELS (continued) 10

UPPER PLATEN ASSEMBLY, 2PLATEN GAS MODEL ONLY
& 1 PLATEN GAS/ELECTRIC MODELS 12

UPPER PLATEN ASSEMBLY, 2PLATEN ELECTRIC MODEL ONLY 14

PLATEN LIFTING MECHANISM, ALL MODELS 16

PARTS ID: WIRING HARNESSSES, ALL MODELS. 18

GRILL ACCESSORIES 22

REVISION HISTORY 23

INTRODUCTION

The Garland clamshell grill, manufactured exclusively for McDonald's, provides a method for efficient two-sided cooking, while accommodating a variety of products. The unit will also serve as a flat grill, and meets all of McDonald's standards for safety, efficiency, and cleanliness.

WARRANTY

This warranty covers defects in material and workmanship under normal use providing that:

- a) the equipment has not been accidentally or intentionally damaged, altered or misused.
- b) the equipment is properly installed, adjusted, operated and maintained in accordance with national and local codes and in accordance with the installation instructions provided with this product.
- c) the warranty serial number affixed to the appliance by us has not been defaced, obliterated or removed.
- d) an acceptable report for any claim under this warranty is supplied to us.

The equipment warranty coverage remains in force for two (2) years, (parts and labor), from the date the equipment is put into operation.

The Garland Group agrees to repair or replace, at it's option, any part that proves to be defective in material or workmanship at no charge for the part or normal labor.

We assume no responsibility for installation, adjustments, diagnosis, or normal maintenance such as: lubrication of springs or valves. We exclude failures caused by erratic voltage or gas supplies.

We assume no responsibility for travel costs beyond 100 miles round trip, travel other than overland, and overtime costs of repair.

We exclude broken glass, paint and porcelain finish, surface rust, gasket material, ceramic material, light bulbs and fuses from normal coverage.

We exclude damage or dysfunction caused by fire, flood, and like "Acts of God" that are beyond the control of The Garland Group.

The Garland Group's liability on a claim of warranty shall not exceed the price of the material and/or service, which caused the claim.

This warranty is limited and is in lieu of all other warranties, expressed or implied. The Garland Group, our employees, or our agents shall not be held liable for any claims of personal injury or consequential damage or loss.

This warranty gives you specific legal rights, and you may have other rights which vary from state to state.

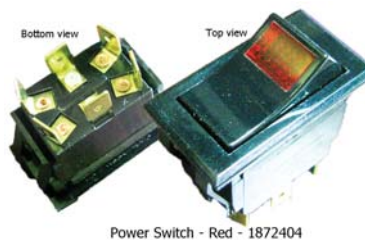
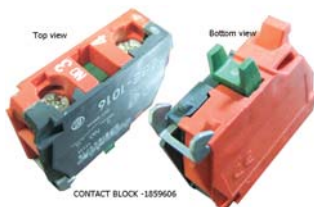
SHIPPING DAMAGE CLAIM PROCEDURE

Please note that the Garland parts and equipment was carefully inspected and packed by skilled personnel before leaving the factory. The transportation company assumes full responsibility for safe delivery upon acceptance of the equipment. What to do if the equipment arrives damaged:

1. File a claim immediately regardless of the extent of damage.
2. Be sure to note, "visible loss or damage," on the freight bill or express receipt and have the person making the delivery sign it.
3. Concealed loss or damage: if damage is unnoticed until the part or equipment is unpacked, notify the freight company immediately, (within 15 days), and file a concealed damage claim.

GRILL EXTERIOR

ITEM #	PART #	DESCRIPTION	1P	2P	CRITICAL
1A	4528941	1P STD GAS GRIDDLE ETCH	1		
	4528940	1P STD ELECT GRIDDLE	1		
	4528942	1P SLIM ELECT GRIDDLE	1		
1B	4526468	PLATE WA, GAS - STD		1	
	4526467	PLATE WA, ELECTRIC - STD		1	
	4526587	GRIDDLE PLATE ASSY MWE2S (ETCH) 17X36 SLIM/ELECTRIC		1	
3	CK4529039	KIT FOR 1&2P GAS CONTROL - GAS	1	2	C
	4526975	CONTROLLER, WATLOW W/ PRC - ELECTRIC	1	2	C
	4529501	2P CONTROLER, 2 BUTTON, HONG KONG, REPROGRAMMED		2	C
4	1872404	POWER SWITCH, MAIN	1	1	C
5A	4526598	FRONT PANEL BRACKET, LT	1	1	
5B	4526597	FRONT PANEL BRACKET, RT	1	1	
5C	F298	BOLT 10-24X3/8"	1	2	
6	4529972	BODY SIDE, RT	1	1	
7	4529973	BODY SIDE, LT	1	1	
8	4517563	5" FRONT SWIVEL CASTER W/BRAKE	2	2	C
8A	1792003	5" REAR SWIVEL CASTER	2	2	C
9	4529977	BACK, UPPER (ELECTRIC)		1	
	4529976	BACK, UPPER (GAS)		1	
10A	4529975	BACK, SPLIT LOWER		1	
10B	4528966	1P BACK PANEL, ELECTRIC	1		
	4529172	1P BACK PANEL, GAS	1		
11	4523352	LEG BRACE LOCKING BRACKET, STANDARD	2	2	
	4526478	LEG BRACE LOCKING BRACKET, SLIM	2	2	
12	1859605	PUSHBUTTON, GREEN	1	2	C
13	1859607	MOUNTING LATCH	1	2	
14	1859606	CONTACT BLOCK	1	2	
16	4527212	FRONT PANEL, LOWER (PRC)		1	
	4528968	1P FRONT PANEL, LOWER WA	1		
17A	4527211	FRONT PANEL, UPPER (PRC)		1	
	4528969	1P FRONT PANEL, UPPER WA	1		
17B	1935903	MSCR, TRUSS HEAD 10-24 X 3/4 UNC SS	2	2	
18	1866501	MENNEKES 7-WAY SOCKET (INTERNATIONAL ONLY)	1	1	
19	4527649	LON WORK 2 PLATEN UL BOARD (DELTA)	1	1	
	4527650	LON WORKS 2 PLATEN CE BOARD (WYE)	1	1	
20	4526611	LONWORKS MOUNTING BRACKET	1	1	
21	4526943	EMI LINE - LINE FILTER, LONWORKS OPTION	1	1	
22	4523482	SPEAKER, 4 WATTS	1	2	

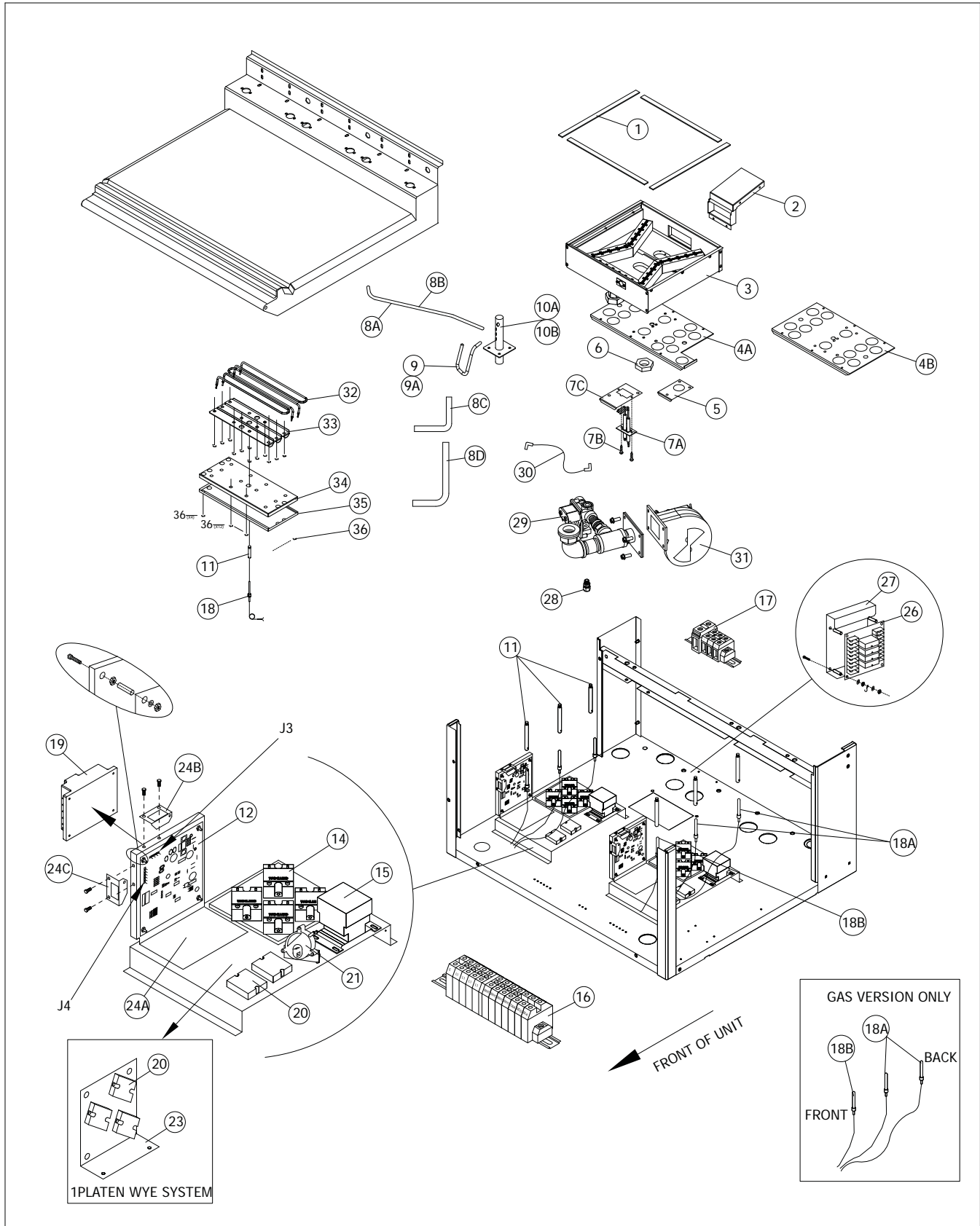


GRILL ELEMENT, ELECTRIC MODELS

ITEM #	PART #	DESCRIPTION	1P	2P	CRITICAL
1	1857207	ELEMENT, 2500W 208V	3	6	
	1857203	ELEMENT, 2500W 220V	N/A	6	
	1857209	ELEMENT, 2295W 230V	3	6	
2	1857302	ELEMENT CLAMP	6	12	
3	1857401	ELEMENT COVER BRACKET	3	6	
4A	4526609	INSULATION (CUT TO SIZE)		6	
4B	4528534	FIBERGLASS INSULATION 2 X 24 X 18	1		
5	1857501	ELEMENT INSULATION COVER	3	6	
6	4521318	THERMOCOUPLE; GRILL PLATE ELECTRIC	3	6	C
7A	4529686	BRACKET - MOTOR SPEED W/CLIPS	1	2	
7b	4529690	CLIP ASSY - 4 PIN	1	2	
7c	4529692	CLIP ASSY - 8 PIN	1	2	
8	1637001	CONTACTOR 120V	1	2	
8	1637002	CONTACTOR 240V	1	2	C
9	4516988	SOLID STATE RELAY	5	10	C
10	4530944	MOTOR SPEED CONTROL	1	2	C
11	1859404	BAYONNET ADAPTER	3	6	C
12	4518173	PAL NUT 5/16-18			
13	4518666	NUT TWIN WHIZ 10-32 LOCK			
14*	4521896	COMM CABLE	1	3	C
15	4522188	TERMINAL BLOCK (CONTROL COMPONENTS)	1	1	
16A	4517674	TERMINAL BLOCK (3PHASE CONNECTION, ELEC GRILL)	N/A	1	
16B	4529170	MAIN TERMINAL BLOCK, CE, MCDS, 70 AMP, ENN123	2	1	
16C	4525397	TERMINAL BLOCK, GAS 208, 220, & 240V	1	N/A	
17	4522117	2-SPD FAN RELAY BOARD W SPACERS	1	1	
18	4522120	2-SPD FAN RELAY MOUNTING BRACKET	1	1	

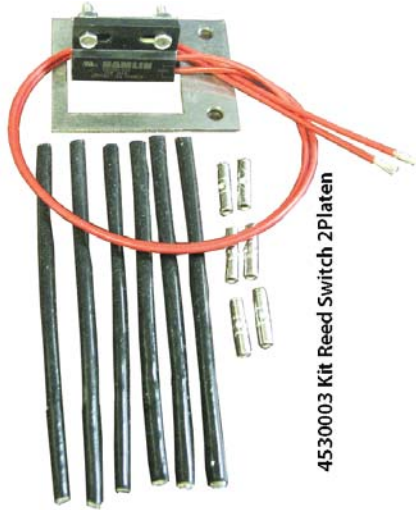
* NOT ILLUSTRATED

GRILL BURNER, GAS MODELS



GRILL BURNER, GAS MODELS

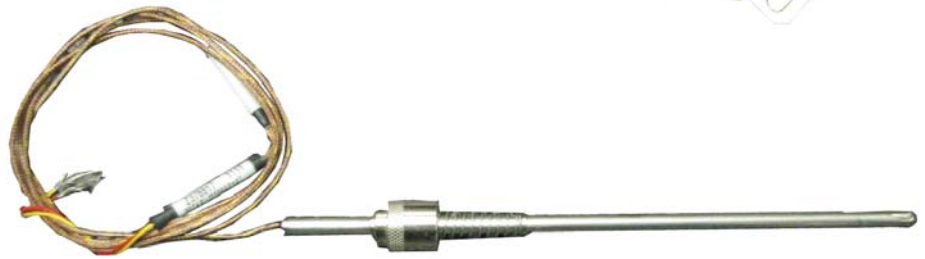
ITEM #	PART #	DESCRIPTION	1P	2P	CRITICAL
1	4526711	1/8 X 3/4 WOVEN FG TAPE, 16.5" LG	2	4	
2	4526496	FLUE ASSEMBLY	1	2	
3	4526489	BURNER BOX ASSEMBLY	1	2	
4A	4526492	TRAY STIFFENING PLATE LT & RT		2	
4B	4529071	TRAY STIFFENING PLATE	1		
5	4526967	TUBE CLOSURE PLATE	1	2	
6	1853301	NUT 1-1/2X12	1	2	
7A	4526972	ELECTRODE COMBI	1	2	
7B	8002107	SMSCR-TH-STL-PHIL-B 10-32X1/2	1	2	
7C	4526963	ELECTRONIC COMBI PLATE	1	2	
8A	4526981	GAS LINE		1	
8B	4527751	GAS LINE (CE)		1	
8C	4529174	1P GAS TUBING	1		
8D	4529190	1P GAS TUBING CE	1		
9	4526980	GAS LINE		1	
9A	4527752	GAS LINE (CE)		1	
10A	4517394	GAS INLET MANIFOLD		1	
10B	1867703	MANIFOLD GAS INLET PIPE	1		
11	1859404	BAYONNET ADAPTER	3	6	
12	4530944	MOTOR SPEED CONTROL	1	2	C
14	4516988	SOLID STATE RELAY	5	10	C
15A	1637001	CONTACTOR 120V	1	1	C
15B	1637002	CONTACTOR 240V	1	1	C
16	4522188	TERMINAL BLOCK (CONTROL COMPONENTS)	1	1	C
17	4525397	TERMINAL BLOCK (3PHASE CONNECTION, GAS GRILL)	1	1	
18A	4521710	THERMOCOUPLE (GAS GRILL BURNER)	2	6	C
18B	4521318	THERMOCOUPLE	1	2	C
19A	1864901	IGNITION MODULE 120V	1	2	C
19B	4529845	IGNITION MODULE 230V CE	1	2	C
20	4516116	HEAT SINK NOTE: ADDITIONAL SINK FOR WYE SYSTEM, 1PLATEN	1	2	
21	4517392	AIR PRESSURE SWITCH	2	1	C
22	4521896	COMMUNICATION CABLE RS485	2	1	C
23	4529187	HEAT SINK VERTICAL PLATE (CE GAS GRILL)	1		
24A	4529686	MOTOR SPEED CONTROL BRACKET	1	2	
24B	4529690	CLIP ASSY - 4 PIN	1	2	
24C	4529692	CLIP ASSY - 8 PIN	1	2	
26	4522117	2-SPD FAN RELAY BOARD W SPACERS	1	1	C
27	4522120	2-SPD FAN RELAY BOARD MOUNTING BRACKET	1	1	
28	4529767	3/8" STRAIGHT CONNECTOR 7/16"	2	4	C
29A	1872801	GAS VALVE (LP)&(NAT) 230V - CE	1	2	
29B	4526970	GAS VALVE (NAT) 120V - 3.5WC	1	2	
29C	4526971	GAS VALVE (LP) 120V - 10WC	1	2	
			1	2	



4530003 Kit Reed Switch 2Platen



4524062 Shoulder Bolt, Platen



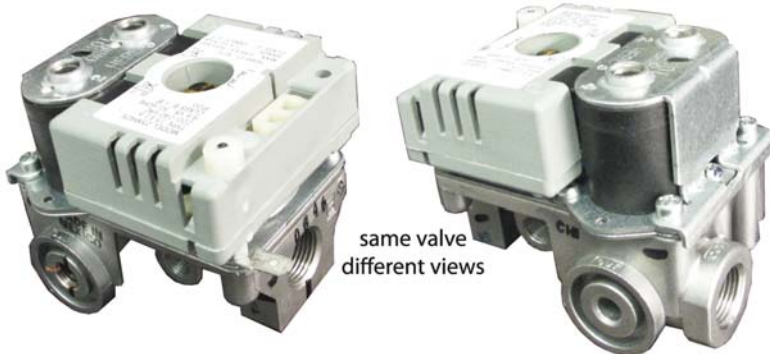
4521710 THERMOCOUPLE, PLATE GAS



4521318 Thermocouple (Electric)



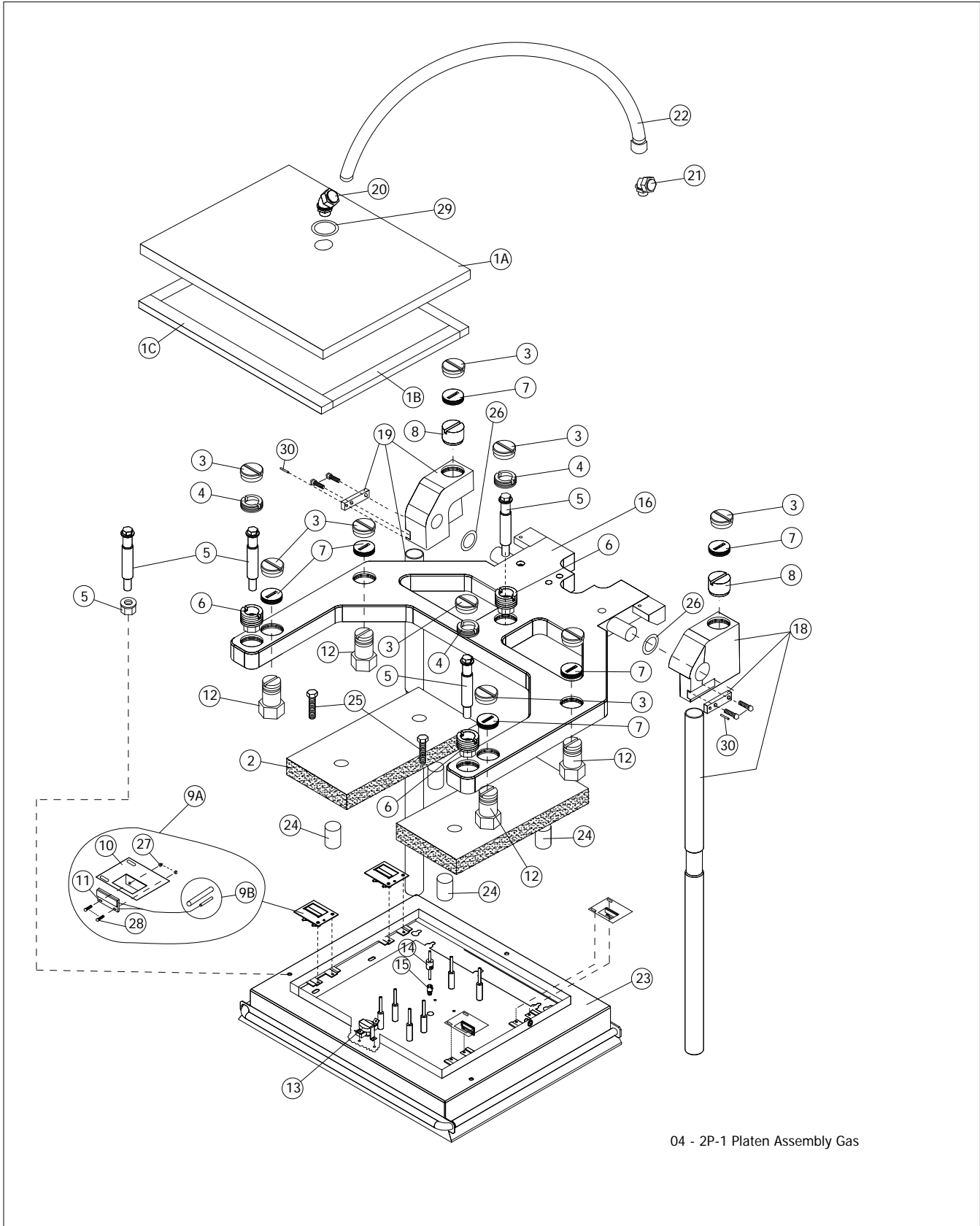
4525845 Blower Motor



same valve different views

1872801 GAS VALVE NG-LP / CE

UPPER PLATEN ASSEMBLY, 2PLATEN GAS MODEL ONLY & 1 PLATEN GAS/ELECTRIC MODELS



04 - 2P-1 Platen Assembly Gas

UPPER PLATEN ASSEMBLY, 2PLATEN GAS MODEL ONLY & 1 PLATEN GAS/ELECTRIC MODELS

ITEM #	PART #	DESCRIPTION	1P GAS	2P GAS ELEC	CRITICAL
1A	4526953	PLATEN LID	1	2	
1B	4527003	GASKET, FOAM RUBBER (10.5"LONG)	2	4	
1C	4527004	GASKET, FOAM RUBBER (12.5"LONG)	2	4	
1D*	4526954	GASKET, FOAM RUBBER PURCHASED BY THE FOOT IN ROLLS OF 20'			
2	4526982	PLATEN WEIGHT W/A	2	4	
3	1859102	PLATEN ADJUSTER CAP	9	18	C
4	4521793	PLATEN ADJUSTER LOCKNUT	3	6	C
5A	4524062	SHOULDER BOLT (HEX HEAD)	3	6	C
5B	4523478	LOCK NUT	3	6	
6	4529543	9/16 HEX PLATEN ADJUSTER NUT	3	6	C
7	4530206	MAGNET HOUSING LOCKNUT	6	12	C
8	4530530	ADJ SCREW	2	4	
9A	4530003	REED SWITCH ASSY	4	8	C
9B	4529549	WIRE SPLICE KIT, 2	1	8	C
10	4526438	REED SWITCH BRACKET	4	8	C
11	4521314	REED SWITCH	4	8	C
12	4529538	MAGNET HOLDER ASSEMBLY	4	8	C
13	1781301	HIGH LIMIT (AUTO RESETTING)	1	2	C
14	4521711	THERMOCOUPLE, PLATEN	1	2	C
15	1859402	BAYONNET ADAPTER	1	2	
16	4526450	2P PLATEN ARM ASSEMBLY	1	2	
18	4526451	CARRIAGE BLOCK ASSY (RT)	1	2	
19	4526452	CARRIAGE BLOCK ASSY (LT)	1	2	
20	1854504	1/2IN X 45 DEG. LIQUID TIGHT FITTING	1	2	
21	4521709	1/2IN X 90 DEG. LIQUID TIGHT FITTING	1	2	
22	1854403	ATX-11 CONDUIT BLACK	1	2	
23	4530009	PLATEN/COWL ASSY 208V	1	2	
	4530011	PLATEN/COWL ASSY 220V	1	2	
	4530010	PLATEN/COWL ASSY 230V	1	2	
	4530012	PLATEN/COWL ASSY 240V	1	2	
24	4526983	PLATEN WEIGHT SPACER	4	8	
25	F8	SCREW-1/4-20 X 3IN LONG ALLEN	4	8	
26	1855903	TEFLON WASHER	2	4	
27	8001506	NUT W/L WASHER 4-40 SS	8	16	
28	4526536	HH MS 4-40X1/2" 18-8 SS	8	16	
29	4525542	GORETEX WASHER	2	4	
30	4528548	3/16" X1" SS DOWEL PIN	2	4	
32*	4528533	FIBERGLASS INSULATION 1 X 13.25 X 16.25	1	2	

* NOT ILLUSTRATED

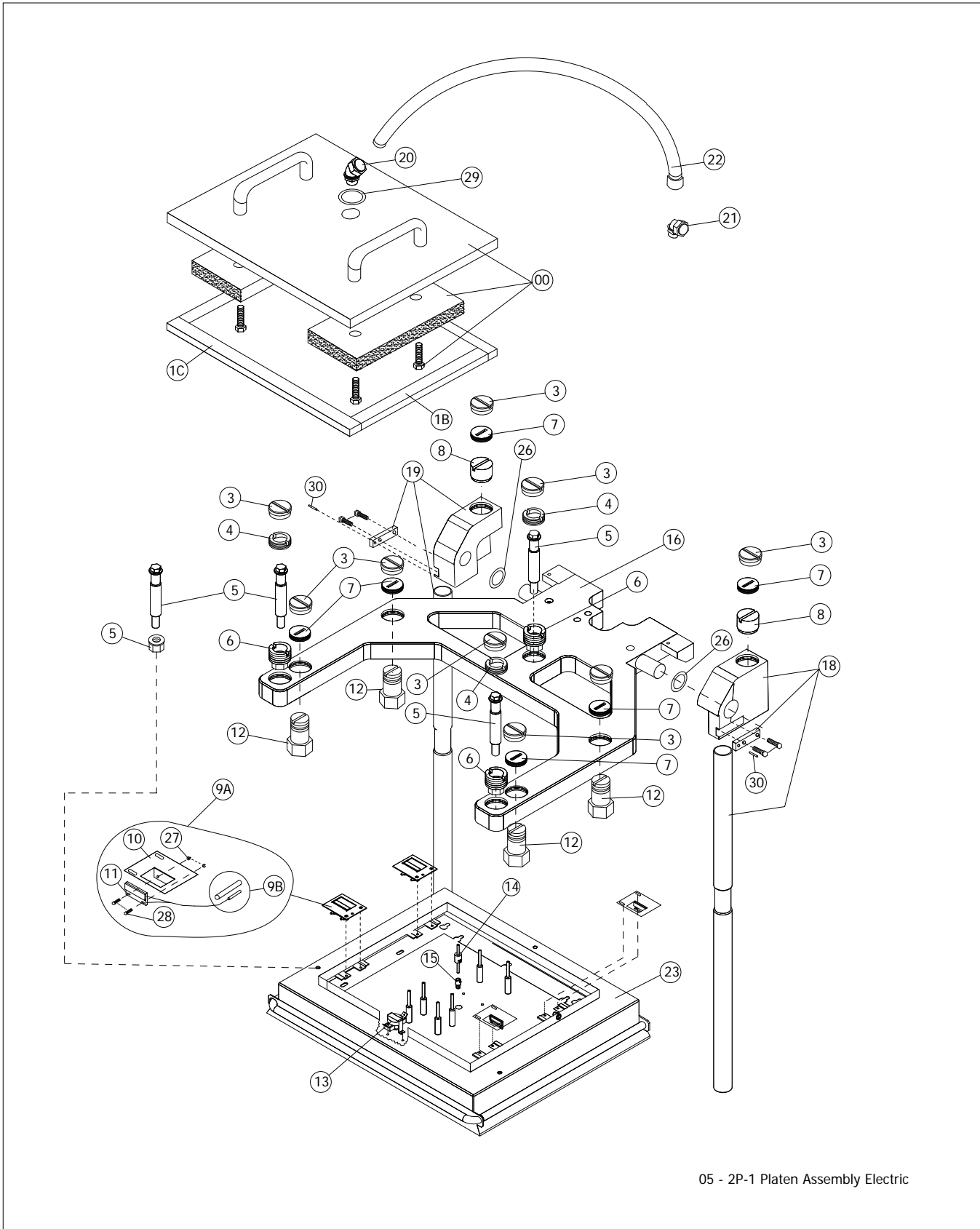
4529538 MAGNET HOLDER ASSEMBLY



4529543 9/16 HEX PLATEN ADJUSTER NUT



UPPER PLATEN ASSEMBLY, 2PLATEN ELECTRIC MODEL ONLY

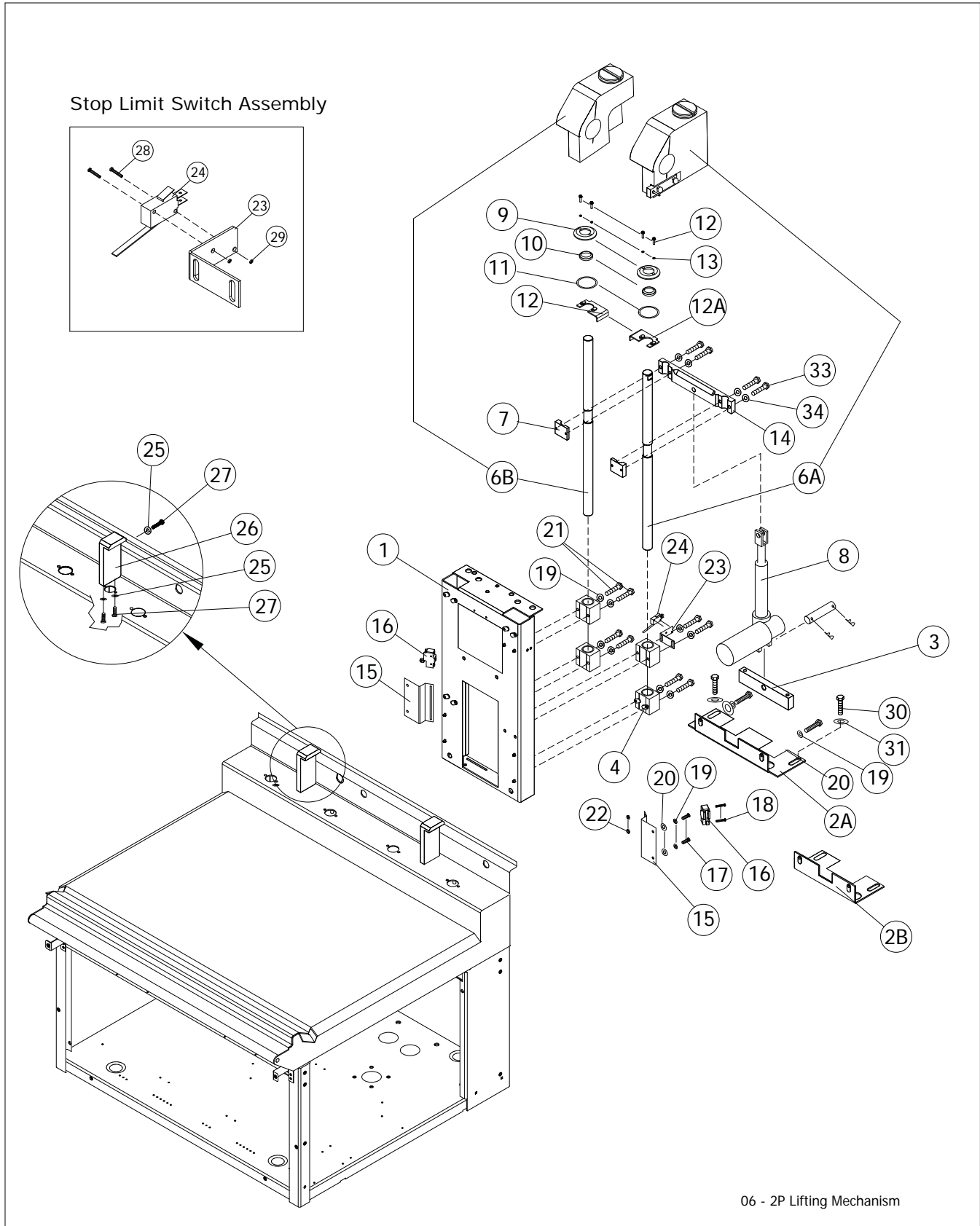


UPPER PLATEN ASSEMBLY, 2PLATEN ELECTRIC MODEL ONLY

ITEM #	PART #	DESCRIPTION	2P ELEC	CRITICAL
1A		PLATEN LID	2	
1B	4527003	GASKET, FOAM RUBBER (10.5"LONG)	4	
1C	4527004	GASKET, FOAM RUBBER (12.5"LONG)	4	
1D*	4526954	GASKET, FOAM RUBBER PURCHASED BY THE FOOT IN ROLLS OF 20'		
3	1859102	PLATEN ADJUSTER CAP	18	C
4	4521793	PLATEN ADJUSTER LOCKNUT	6	C
5A	4524062	SHOULDER BOLT (HEX HEAD)	6	C
5B	4523478	LOCK NUT	6	
6	4529543	9/16 HEX PLATEN ADJUSTER NUT	6	C
7	4530206	MAGNET HOUSING LOCKNUT	12	C
8	4530530	ADJ SCREW	4	
9A	4530003	REED SWITCH ASSY	8	C
9B	4529549	WIRE SPLICE KIT, 2	8	C
10	4526438	REED SWITCH BRACKET	8	C
11	4521314	REED SWITCH	8	C
12	4529538	MAGNET HOLDER ASSEMBLY	8	C
13	1781301	HIGH LIMIT (AUTO RESETTING)	2	C
14	4521711	THERMOCOUPLE, PLATEN	2	C
15	1859402	BAYONNET ADAPTER	2	
16	4526450	2P PLATEN ARM ASSEMBLY	2	
18	4526451	CARRIAGE BLOCK ASSY (RT)	2	
19	4526452	CARRIAGE BLOCK ASSY (LT)	2	
20	1854504	1/2IN X 45 DEG. LIQUID TIGHT FITTING	2	
21	4521709	1/2IN X 90 DEG. LIQUID TIGHT FITTING	2	
22	1854403	ATX-11 CONDUIT BLACK	2	
23	4530009	PLATEN/COWL ASSY 208V	2	
	4530011	PLATEN/COWL ASSY 220V	2	
	4530010	PLATEN/COWL ASSY 230V	2	
	4530012	PLATEN/COWL ASSY 240V	2	
26	1855903	TEFLON WASHER	4	
27	8001506	NUT W/L WASHER 4-40 SS	16	
28	4526536	HH MS 4-40X1/2" 18-8 SS	16	
29	4525542	GORETEX WASHER	4	
30	4528548	3/16" X 1" SS DOWEL PIN	4	
32*	4528533	FIBERGLASS INSULATION 1 X 13.25 X 16.25	2	

* NOT ILLUSTRATED

PLATEN LIFTING MECHANISM, ALL MODELS



PLATEN LIFTING MECHANISM, ALL MODELS

ITEM #	PART #	DESCRIPTION	1P	2P	CRITICAL
1	4526420	ACTUATOR FRAME, PAINTED	1	2	
2A	4526446	ACTUATOR FRAME BRACE, PAINTED	1	2	
2B	4529192	1P ACTUATOR FRAME BRACE	1	2	
3	4518787	ACTUATOR CLEVIS MOUNT	1	2	
4	1858199	PILLOW BLOCK ASSY	4	8	
6A	4526451	ARM CARRIAGE, SHAFT ASSEMBLY (RT)	1	2	
6B	4526452	ARM CARRIAGE, SHAFT ASSEMBLY (LT)	1	2	
7	4518788	ACTUATOR CROSS MEMBER CLAMP, PAINTED	1	2	
8	4530036	LINEAR ACTUATOR	1	2	C
9	1857703	SEAL CAP	2	4	C
10	4526311	SHAFT SEAL WIPER, BLACK SOLID	2	4	
11	1874201	SEAL CAP O-RING	2	4	
12	1863396	SEAL CAP MOUNTING BRKT, S/W LT (PAINTED)	1	2	
12A	1863397	SEAL CAP MOUNTING BRKT, S/W RT (PAINTED)	1	2	
13	1874301	#8-32 O-RING	4	8	
14	4522318	CROSS MEMBER, PAINTED	1	2	
15	4526419	LIMIT SWITCH BRACKET	1	2	
16	1855601	LIMIT SWITCH	1	2	C
17	225233	SCREW 10-24X3/4"			
18	8003427	SCREW 6-32X1"			
20	8000303	WASHER			
21	8003424	BOLT 1/4-20X2"	8	16	
22	8001221	NUT 6-32	5	8	
23	4526529	SWITCH BRACKET	1	2	
24	1855604	LIMIT SWITCH (OVER TRAVEL)	1	2	C
25	8000206	LOCKWASHER 5/16	3	6	
26	4526453	PIVOT BLOCK	1	2	
27	8003410	BOLT 5/16-18X3/4"	3	6	
28	8003301	SCREW 4-40X1"	2	4	
29	8001505	NUT 4-40	2	4	
30	4522079	BOLT 7/16-14X1-1/4	2	4	
31	8000325	WASHER	2	4	
32	8003404	SCREW 1/4-20X3/4"	2	4	
33	8003451	BOLT 1/4-20X1-1/4"	4	8	
34	8000206	LOCKWASHER	4	8	

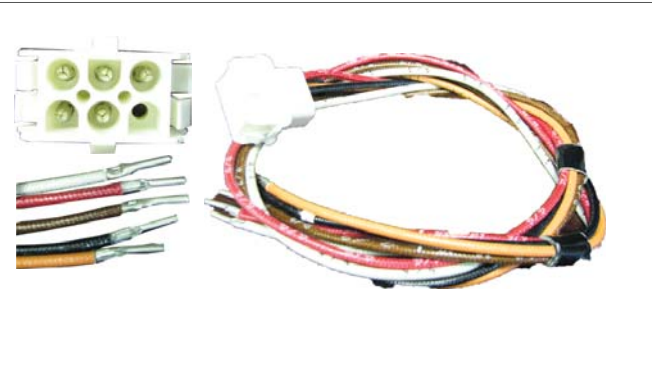
PARTS ID: WIRING HARNESSES, ALL MODELS

Part#: **1859803**
Main Power Switch
 (Molex Plug to Terminal Block)

S5 DETAIL

	2	1
	2	1
6	5	4
6	5	4

1=ORG 5=BLK
 2=BRN 6=WHT
 4=RED

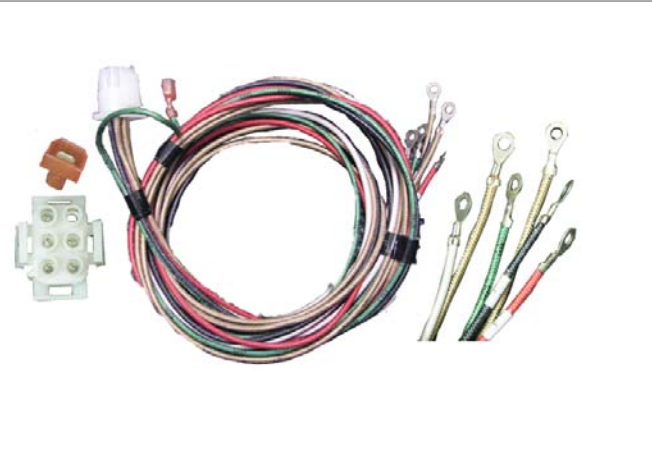


Part#: **4527095**
Upper Platen Harness
 (Molex Plug to Upper Platen)

P2 DETAIL

9	8	7
3	2	1
6	5	4
51	50	

7=BLK 50=BRN
 8=RED 51=BRN
 9=WHT 88=GRN



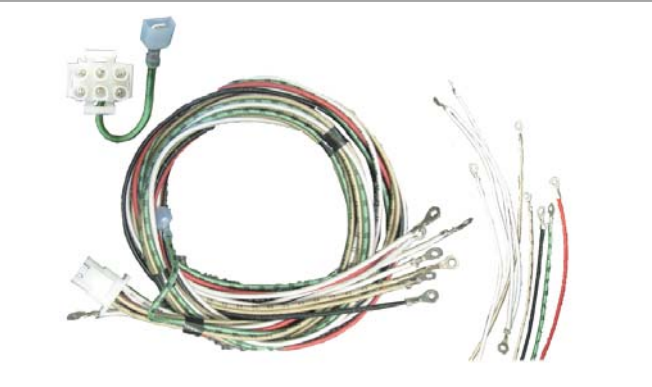
EXPORT ONLY

Part#: **1859814**
Upper Platen Harness
 (Molex Plug to Upper Platen)

P2 DETAIL

9	8	7
3	2	1
6	5	4
10	51	50

7=BLK 8=RED 9=WHT
 50=BRN 51=BRN
 10=GRN 16=GRN



Part#: **1859808**
Main Heater Harness
Electric Grills Models
 (Molex Plug to Grill Plate Heating Elements)

P1 DETAIL

L3	L2	L1
3	2	1
6	5	4
3	2	1

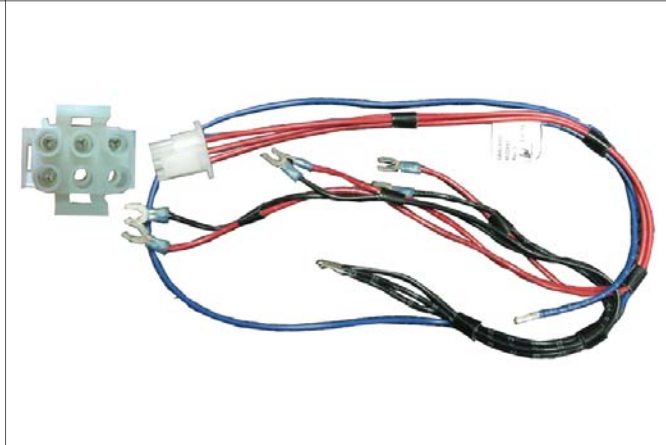
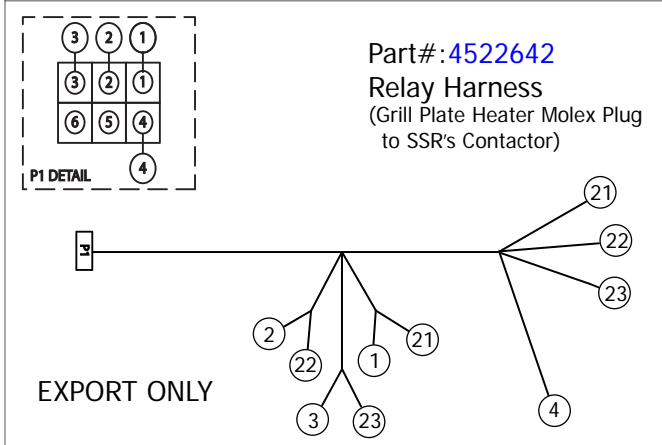
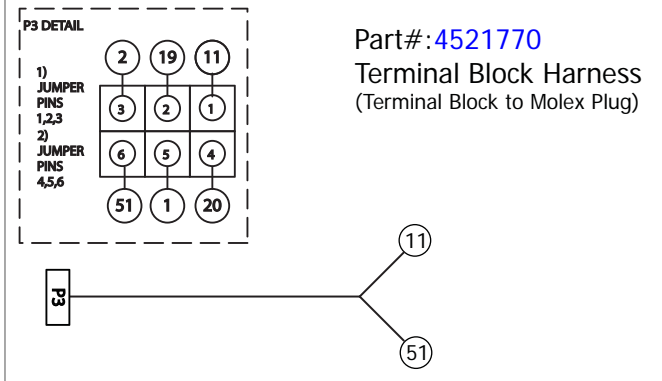
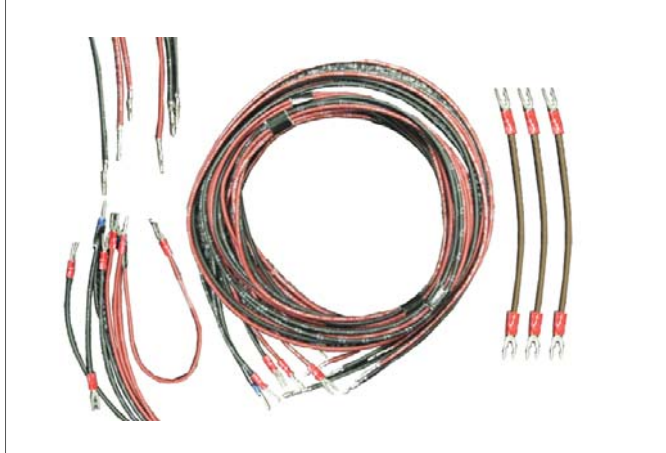
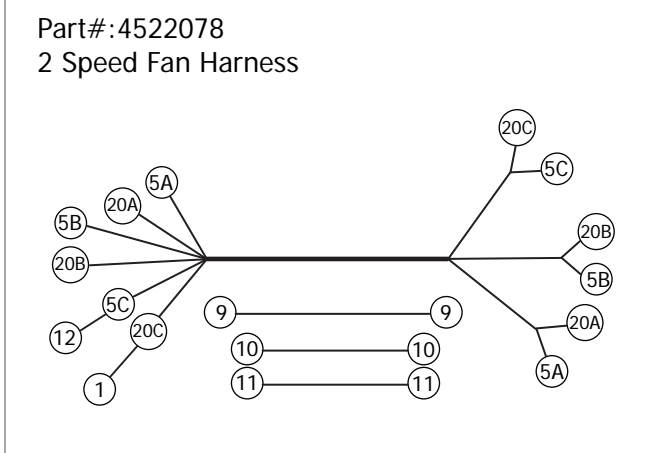
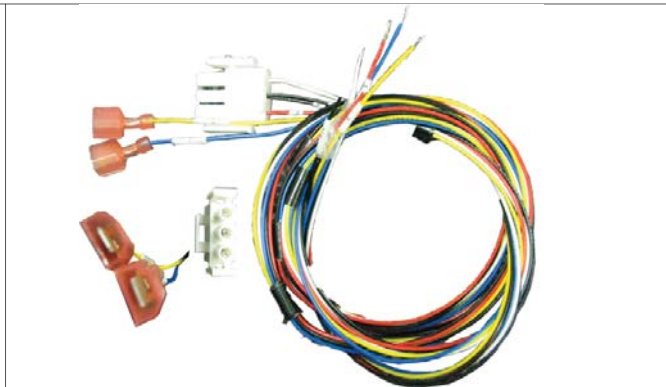
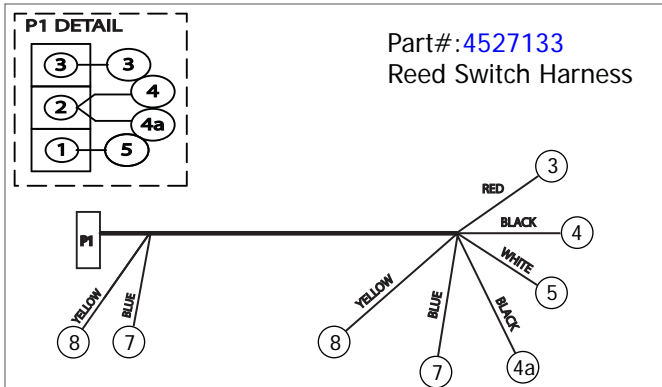
L1, L2, L3=BLK
 1, 2, 3=RED



PARTS ID: WIRING HARNESSES, ALL MODELS

<p>Part#: 1859813 Main Heater Harness Electric Grill (Molex Plug to Grill Plate Heating Elements)</p> <p>EXPORT ONLY</p> <p>1,2,3=BLK 11,12,13=WHT</p>	<p>1859813</p>
<p>Part#: 1859833 Main Power Switch Harness (Molex Plug to Power Switch)</p> <p>1=ORG 5=BLK 2,3=BRN 6=WHT 4=RED</p>	<p>1859833</p>
<p>Part#: 4521950 Pushbutton Harness</p> <p>35=BLK 25=WHT</p>	<p>4521950</p>
<p>Part#: 4522630 Relay Harness (Grill Plate Molex Plug to SSr's Contactor)</p> <p>L1,L2,L3=BLK 1,2,3=RED 21,22,23=BLK</p>	

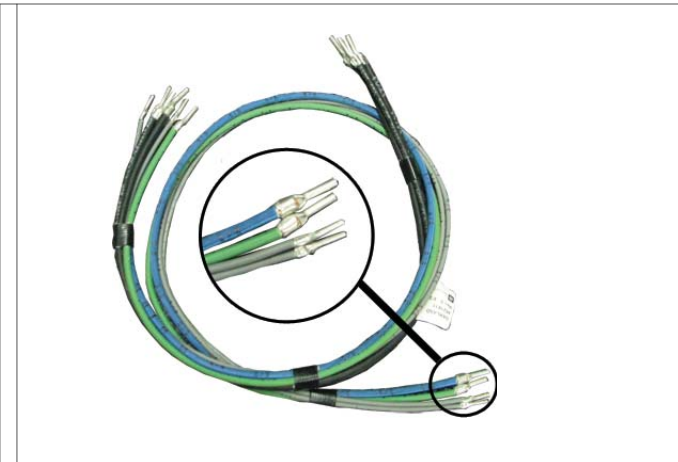
PARTS ID: WIRING HARNESES, ALL MODELS



PARTS ID: WIRING HARNESSES, ALL MODELS

Part#: **4521811**
 Mennekes Harness
 (Mennekes socket to contactor terminal block)

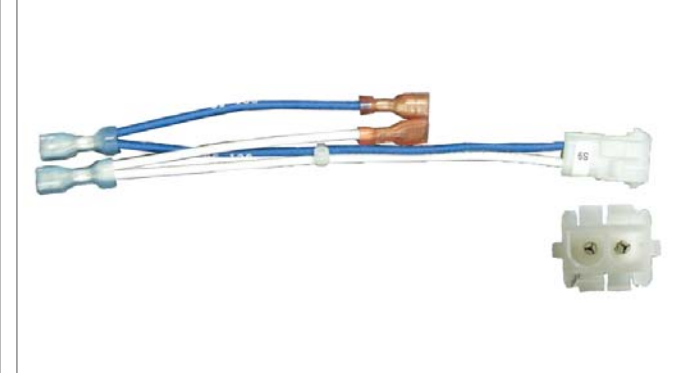
EXPORT ONLY



Part#: **4521898**
 Ignition Harness
 (Ignition module to Gas valve Molex plug)

S9 DETAIL

2	WHT 55
1	BLU 56



Part#: **4521896**
 RS 485 Cable
 (Motor speed control to control board)

36"

S2 S1

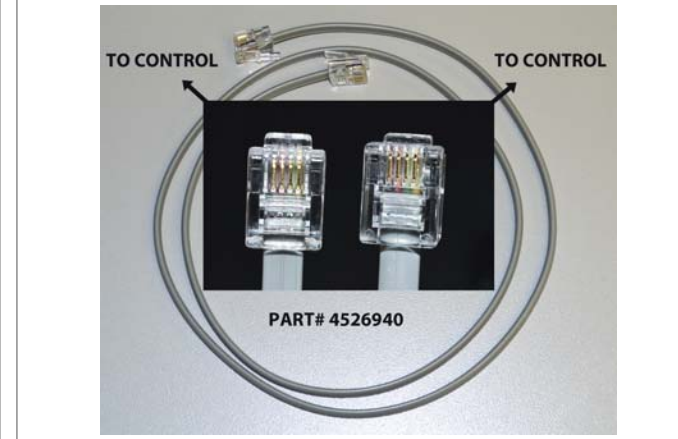


Part#: **4526942**
 Lonworks cable
 (LON Board to control board)

PART# 4526942

TO LON-BOARD

TO CONTROL



PARTS ID: WIRING HARNESSES, ALL MODELS

<p>Wiring Harness part # 4530471</p> <p>2 PLATEN MCD GRILLS</p> <table border="1"> <thead> <tr> <th>Model</th> <th>Electrical Specification</th> </tr> </thead> <tbody> <tr> <td>MWG2W</td> <td>2P DELTA & WYE Gas</td> </tr> <tr> <td>MWE2W</td> <td>2P WYE Electric Brazil (except H.K. & CHINA)</td> </tr> </tbody> </table> <p>diagram#3</p>	Model	Electrical Specification	MWG2W	2P DELTA & WYE Gas	MWE2W	2P WYE Electric Brazil (except H.K. & CHINA)	<p>Part#4530471 WIRE HARNESS, SL POWER</p>
Model	Electrical Specification						
MWG2W	2P DELTA & WYE Gas						
MWE2W	2P WYE Electric Brazil (except H.K. & CHINA)						
<p>Wiring Harness part # 4530474</p> <p>Wiring Harness part # 4530476</p> <p>2 PLATEN MCD GRILLS</p> <table border="1"> <thead> <tr> <th>Model</th> <th>Electrical Specification</th> </tr> </thead> <tbody> <tr> <td>MWE2W</td> <td>2P DELTA Electric</td> </tr> <tr> <td>MWE2W/S</td> <td>2P WYE Electric for H.K. or CHINA</td> </tr> </tbody> </table> <p>diagram#4</p>	Model	Electrical Specification	MWE2W	2P DELTA Electric	MWE2W/S	2P WYE Electric for H.K. or CHINA	<p>Part#: 4530474 WIRE HARNESS SHORTBUNDLE</p> <p>Part#4530476 WIRE HARNESS LONG BUNDLE</p>
Model	Electrical Specification						
MWE2W	2P DELTA Electric						
MWE2W/S	2P WYE Electric for H.K. or CHINA						
<p>Wiring Harness part # 4530472</p> <p>2 PLATEN MCD GRILLS</p> <table border="1"> <thead> <tr> <th>Models</th> <th>Electrical Specification</th> </tr> </thead> <tbody> <tr> <td>MWE2S</td> <td>2P WYE Electric Slim (except H.K., China & Brazil)</td> </tr> </tbody> </table> <p>diagram#5</p>	Models	Electrical Specification	MWE2S	2P WYE Electric Slim (except H.K., China & Brazil)	<p>Part #4530472 WIRE HARNESS, ML POWER</p>		
Models	Electrical Specification						
MWE2S	2P WYE Electric Slim (except H.K., China & Brazil)						

PARTS ID: WIRING HARNESSES, ALL MODELS

Wiring Harness
part # [4530474](#)

L3 L2 L1

red
brown
black

L1 L2 L3

black
brown
red

diagram#6

1 PLATEN MCD GRILLS

Model	Electrical Specification
MWG1W	1P ALL
MWE1W/S	1P ALL

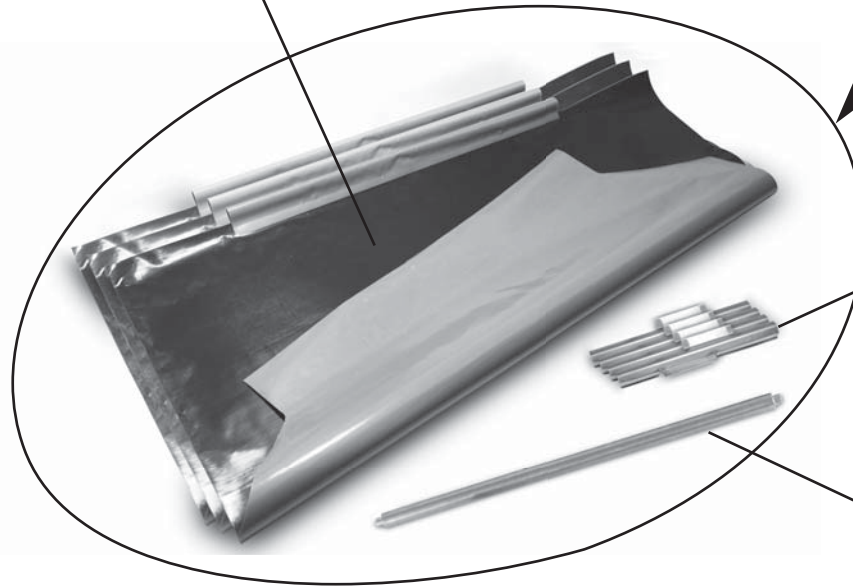
Part#: 4530474

WIRE HARNESS SHORTBUNDLE

GRILL ACCESSORIES

Description:	Teflon Sheet (Wraparound)
Part Number:	4527642
Quantity:	3

Description:	Teflon Wraparound Kit
Part Number:	4528083
Quantity:	1 - (Includes all Shown)



Description:	Teflon Clip
Part Number:	4527294
Quantity:	4

Description:	Teflon Rear Bar
Part Number:	4526436
Quantity:	1



GRILL ACCESSORIES



REVISION HISTORY

REV #	PAGE	ITEM	REVISION DETAILS	DATE
0	N/A		1&2 Platen -1 part list manual released	Oct 5, 2012
1	7,9	10,12	New part number, motor speed control - was 4521682 .	Dec 11,2012
2	17	3	New part number 4518787 , was 4528787	June 12,2013
	4,5	21	Part number added, 4526943	
3	4,5	15	Part # removed; 1808302 TOWEL BAR & 4529029 TOWEL BAR 18"	June 17, 2013
4	21		Two Lonworks cable photos added, 4526942 & 4526940 .	June 21, 2013
5	5	22	Part number added, new drawing on page 4	June 24, 2013

Garland Part List Manual



1 & 2-Platen Electric/Gas Clamshell Grills With Product Recognition

Manufactured Exclusively For McDonald's By
Garland Commercial Ranges
<http://www.garland-group.com>

