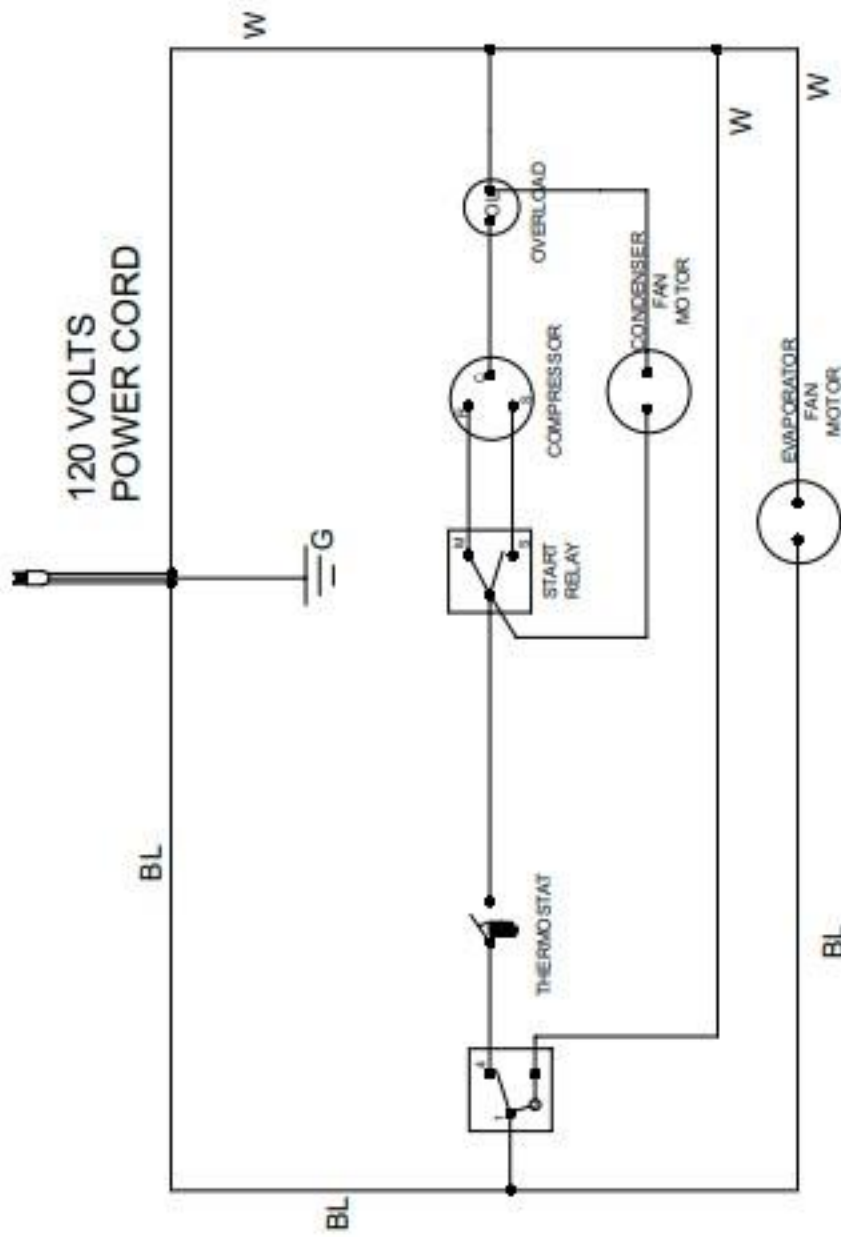


- O = ORANGE
- W = WHITE
- G = GREEN
- BL = BLUE
- B = BLACK

ELECTRICAL RATINGS
 COMPRESSOR, 2.7 AMPS

ALL WIRE 16GA.



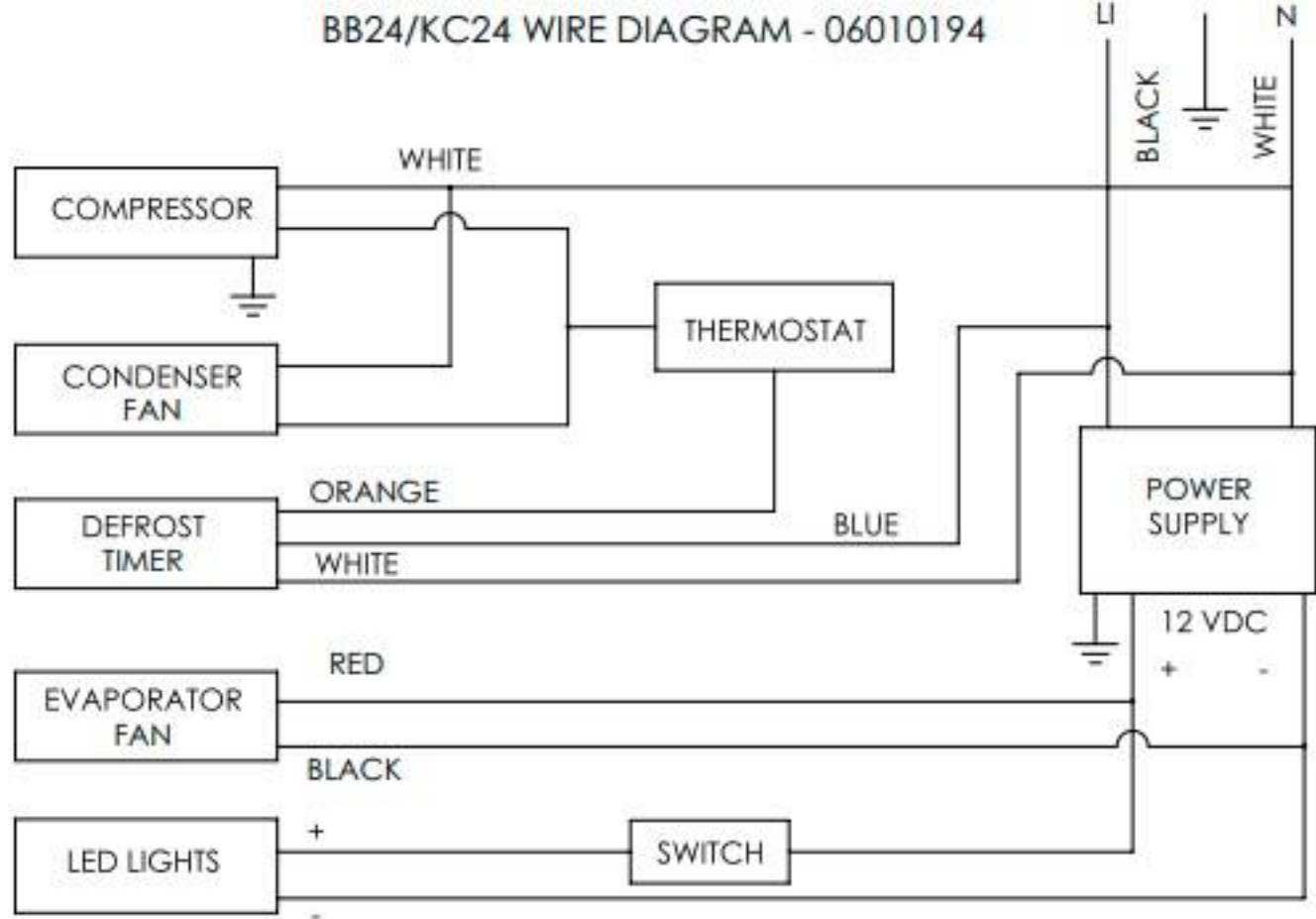
- O = ORANGE
- W = WHITE
- G = GREEN
- BL = BLUE
- B = BLACK

ELECTRICAL RATINGS

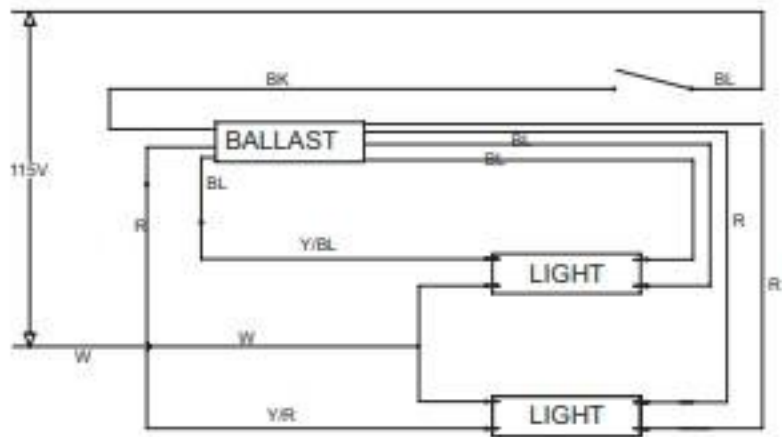
COMPRESSOR,	2.7 AMPS
CONDENSER FAN MOTOR	.2 AMPS
EVAPORATOR FAN MOTOR	.2 AMPS
TOTAL	3.1 AMPS

ALL WIRE 16GA.

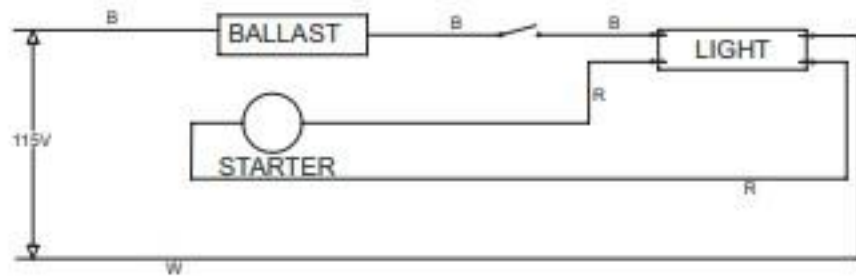
BB24/KC24 WIRE DIAGRAM - 06010194



FLOURESCENT LIGHT SYSTEM
TWO LIGHT

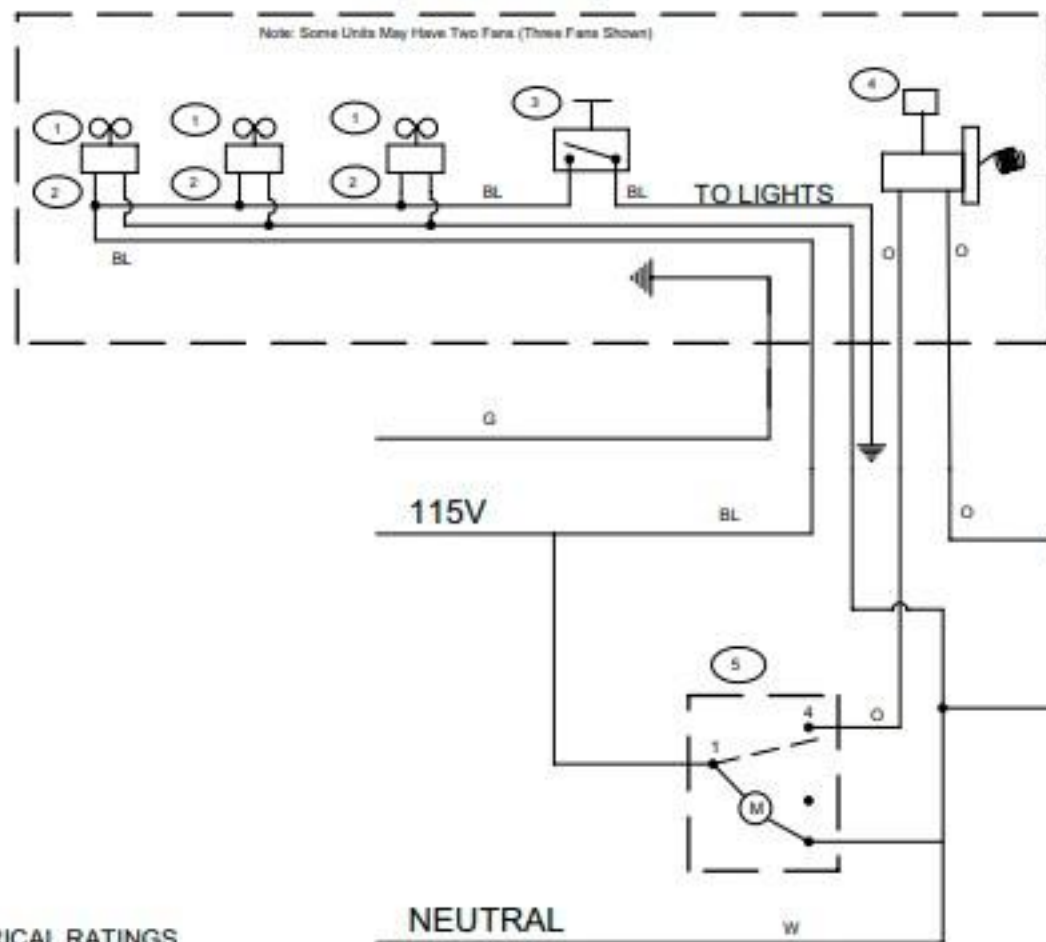


FLOURESCENT LIGHT SYSTEM
ONE LIGHT



Evaporator Assembly

Note: Some Units May Have Two Fans (Three Fans Shown)



ITEM	DESCRIPTION
1	EVAPORATOR FAN BLADE
2	EVAPORATOR FAN MOTOR
3	LIGHT SWITCH
4	THERMOSTAT
5	DEFROST TIMER

LEGEND

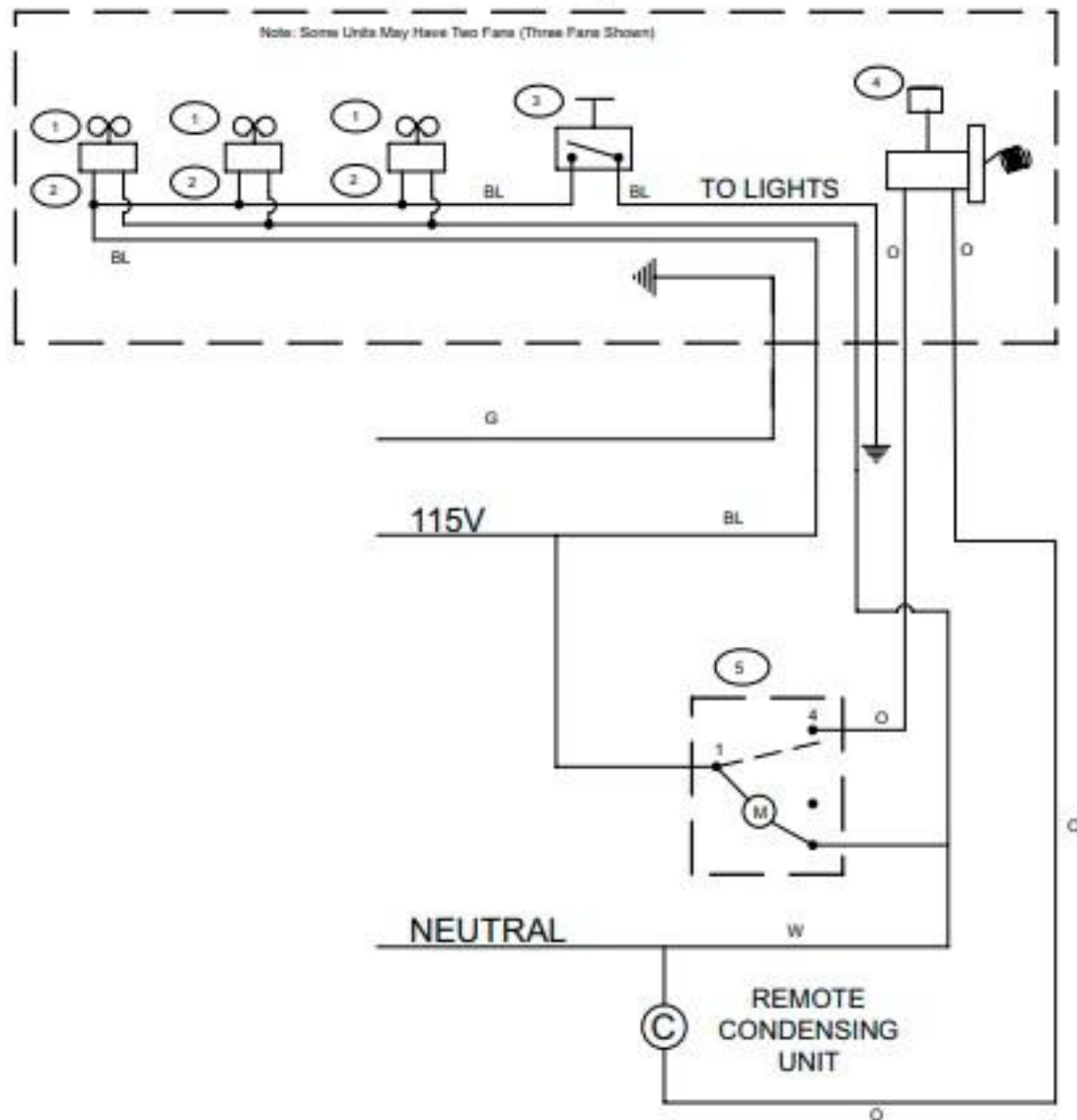
BK = Black
 BL = Blue
 W = White
 O = Orange
 G = Green
 R = Red
 Y = Yellow
 Y/BL = Yellow
 with blue stripe
 Y/R = Yellow
 with red stripe

ELECTRICAL RATINGS

All wires are 16 Gauge

Evaporator Assembly

Note: Some Units May Have Two Fans (Three Fans Shown)



ITEM	DESCRIPTION
1	EVAPORATOR FAN BLADE
2	EVAPORATOR FAN MOTOR
3	LIGHT SWITCH
4	THERMOSTAT
5	DEFROST TIMER

LEGEND

BK = Black
 BL = Blue
 W = White
 O = Orange
 G = Green
 R = Red
 Y = Yellow
 Y/BL = Yellow
 w/blue stripe
 Y/R = Yellow
 w/red stripe

ELECTRICAL RATINGS

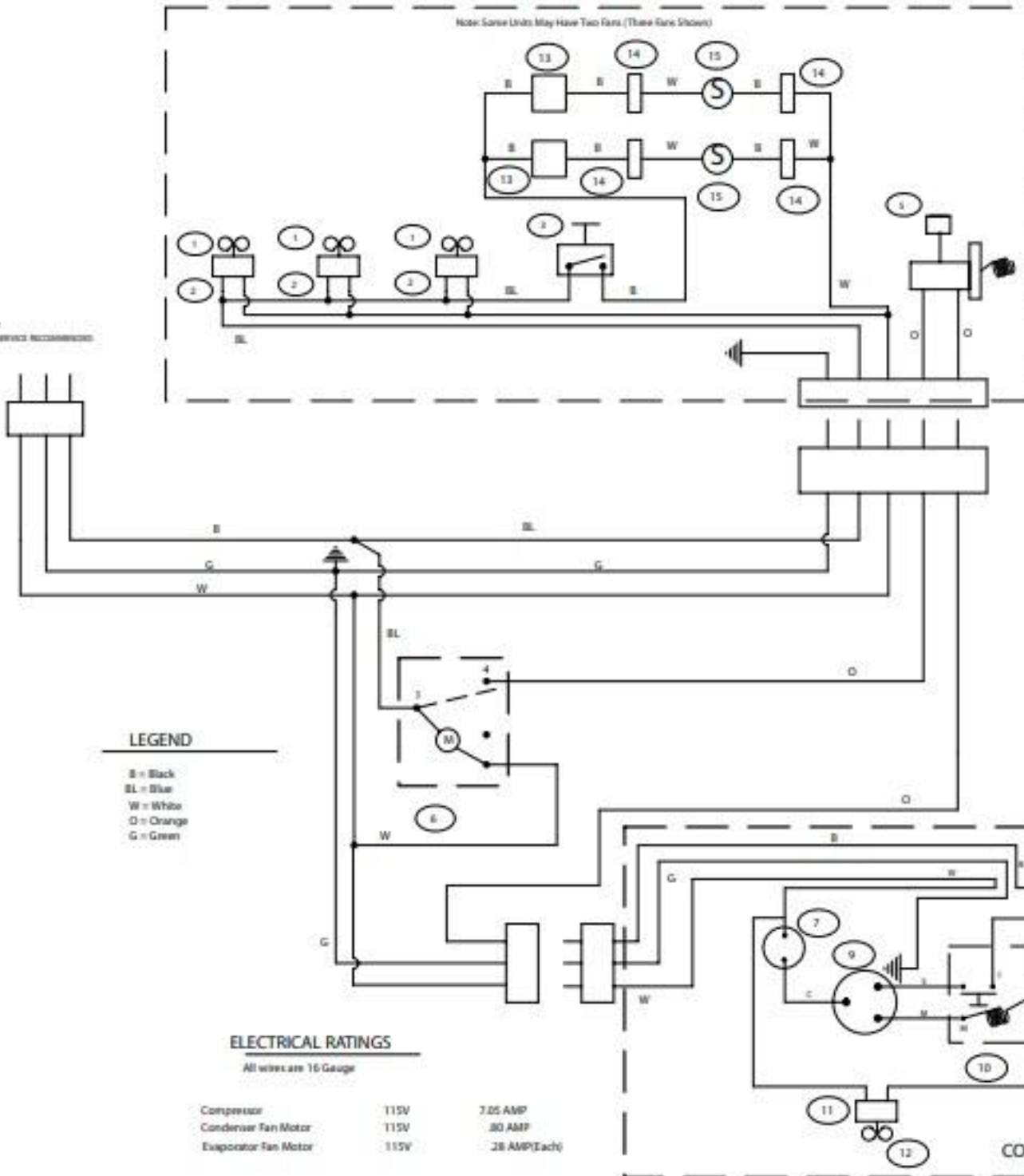
All wires are 16 Gauge

Evaporator Fan Motor 115V .28 AMP(Each)

Evaporator Assembly

Note: Some Units May Have Two Fans (Three Fans Shown)

115V/60Hz
15 AMP SERVICE RECOMMENDED



LEGEND

B = Black
BL = Blue
W = White
O = Orange
G = Green

ELECTRICAL RATINGS

All wires are 16 Gauge

Compressor	115V	7.05 AMP
Condenser Fan Motor	115V	.80 AMP
Evaporator Fan Motor	115V	.28 AMP(Each)

ITEM	DESCRIPTION
1	EVAPORATOR FAN BLADE
2	EVAPORATOR FAN MOTOR
3	LIGHT SWITCH
4	CABINET LIGHT RECEPTACLE
5	THERMOSTAT
6	DEFROST TIMER
7	OVERLOAD
8	CAPACITOR
9	COMPRESSOR
10	START RELAY
11	CONDENSER FAN MOTOR
12	CONDENSER FAN BLADE
13	BALLAST
14	TOMSTONE
15	STARTER

CONDENSING UNIT

