

Glastender®

A Family Company Manufacturing
In The USA Since 1969

**FRONT VENTING SELF-CONTAINED COOLERS*
AND MUG FROSTERS***

FV24, FV48

MFV24, MFV48

***This manual is specific to Front Venting Self-Contained Coolers
and Mug Frosters manufactured on March 15, 2017 and after**



MFV24-XS(L)

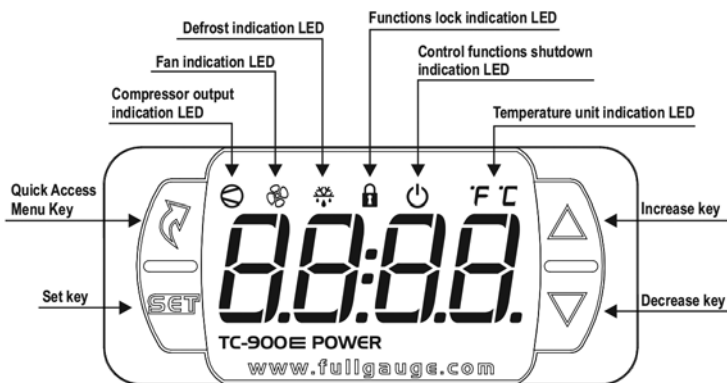


FV48-SS(LR)

INDEX

MODEL EFFECTIVE DATES	1
DIGITAL CONTROLLER OPERATION.....	1 - 2
TERMS AND CONDITIONS	3
WARRANTY	4
INSTALLATION	
Introduction	5
Utility Requirements and Connections	5
Uncrating and Start-Up Instructions	5
Operation.....	5
Cleaning Instructions.....	5 - 6
Floor Sealing Instructions	6
Cooler Installation Checklist.....	7
SPECIFICATIONS	
Electrical and Refrigeration Specifications.....	7
FV Wiring Diagram.....	8
MFV Wiring Diagram	9
REPLACEMENT PARTS	
Interior Parts.....	10
Condensor and Evaporator Parts.....	11 - 12
Doors and Related Parts.....	13 - 14
Integrated Lock Doors and Related Parts	15
Shelving, Racks, and Related Parts.....	16
Grills.....	17
220 Condensor and Evaporator Parts.....	17
220 Doors and Related Parts.....	17

DIGITAL CONTROLLER OPERATION



The operating temperature range is preset at the factory according to the table below and can be adjusted up or down within the limits shown.

Setting the desired temperature-
 Press the Quick Access Menu Key 6 times until SP appears on the display. Press the Set key. Use the increase or decrease keys to modify the value. Press the Set key to confirm.



	Factory Settings		Range of Adjustment	
	Set Point	Operating Range†	Minimum Set Point	Maximum Set Point
Standard Cooler Setting	34°F	34°F to 39°F	33°F	65°F
MFV Setting	12° F	12° F to 20° F	12° F	35° F

† Adjusting the factory set point will also adjust the operating range by the same amount.

DIGITAL CONTROLLER OPERATION

The refrigerator is programmed to automatically defrost four times daily for the FV and 3 times daily for the MFV. Each defrost duration is approximately twenty minutes for both the FV and MFV. During an FV defrost, the fan inside the cooler will remain on and the refrigeration system will turn off. During an MFV defrost, the fan inside the cooler will turn off and the compressor will continue to run, cycling warm gas through the evaporator. The defrost process can be activated/deactivated manually in the quick access menu through the *dEFr* or pressing the Increase key for 4 seconds. Activation or deactivation will be indicated by the messages *dEFr On* or *dEFr OFF* respectively.

Fast Freeze Mode

During Fast Freeze Mode, the freezing process is accelerated. This operating mode can be activated/deactivated by pressing the Quick Access Menu key one time and then pressing the Set key. Fast Freeze Mode can only be initiated manually. Once initiated, the Fast Freeze Mode will continue for a max of six hours and then automatically revert to the normal set point. During Fast Freeze, the compressor On indication symbol will flash quickly. If when activating the Fast Freeze Mode the controller identifies there is a defrost scheduled to start by time in this period, the defrost will be performed immediately before entering the Fast Freeze Mode.

The thermostat controller has an “OFF” function. When enabled, the control functions and alarms are switched off *Ctrl OFF* or on *Ctrl On* in the quick access menu through the *Ctrl* option. When the control functions are off, the message *OFF* is displayed alternating with the temperature and other messages. Also is possible turn on/turn off the control functions by pressing the Quick Access menu key for 5 seconds.

FV Self Contained and MFV Coolers thermostat controller

The thermostat control probe wire may become disconnected when the compressor compartment cover and/or grill are removed. This will result in thermostat *Err 1*, *Err2 (MFV)*, or *Err 3* code. Service calls to reconnect the probe wiring are not covered by factory warranty.

6 Hour Manual Defrost

MFV's are equipped with a 6 hour user initiated defrost mode. During the 6 hour defrost mode, the condensing unit remains off and the evaporator fan cycles continuously to remove any ice accumulation that may build up inside the cabinet.

An end-of-day schedule should be established for the activation of this manual defrost cycle. This defrost mode is initiated by pressing the round button to the right of the control.

The control will display *ECO*, then display *ON*, then will alternately display the cabinet temp and *ECO* indicating that the unit is in the 6 hour manual defrost mode.

The 6 hour mode can be terminated at any time by pressing the round button again. The control will display *ECO*, then *OFF* and will return to the normal operating mode.

SIGNALS	
<i>Err1</i>	Ambient sensor disconnected or out of range.
<i>Err3</i>	Sensor 3 disconnected or out of range.
<i>ECO</i>	Operation with economic setpoint.
<i>Athi</i>	High ambient temperature alarm (sensor1).
<i>AtLo</i>	Low ambient temperature alarm (sensor1).
<i>AC1</i>	High temperature in condenser alarm (level 1). If this signal occurs, condenser may need cleaning.
<i>AC2</i>	High temperature in condenser alarm (level 2). If this signal occurs, condenser may need cleaning.
<i>ALTC</i>	Compressor reached the maximum time on without reaching the SP.
<i>OFF</i>	Control routines off.
	It indicates that the temperature for end of defrost has not been reached.
<i>ECAL</i>	Please contact Full Gauge Controls.
<i>PPPP</i>	Reconfigure the values of the functions.

TERMS AND CONDITIONS

PRICES:

All prices are LIST. Applicable taxes will be added.

QUOTATIONS:

Unless otherwise stated, quotations are effective for 30 days only.

ACCEPTANCE:

All orders are subject to acceptance by Glastender, Inc.'s headquarters in Saginaw, Michigan. Possession of the Product Directory and Price List is not an offer to sell.

SHIPMENTS:

F.O.B. factory in Saginaw, Michigan. Freight terms are Third Party or Collect if shipped directly to you. Prepay and Add to Invoice freight terms are available upon request. The approximate shipping weights of all products are listed with the prices. Partial shipments will be made unless otherwise specified by the customer. Surface freight classifications are:

- GT-24/GT-30/GW24 Glasswashers - Class 175
- GT-18 Glasswashers - Class 250
- All Underbar Equipment - Class 175
- Bar Die Orders - Class 250
- Portable Bars - Class 175
- Remote refrigerators (i.e., no compressor) or dry storage back bar equipment - Class 175
- Self-contained refrigeration equipment - Class 150
- Ice Display Units (IDU and GDU) - Class 85
- Lighted Liquor Displays - Class 85
- Beer line chillers and beer towers (beverage dispensing equipment) - Class 92.5
- Bottle Disintegration System - Class 150
- Ice Cream Freezers - Class 77.5

All small items are evaluated to see the most cost effective means for shipment. Many small items ship via UPS or FedEx; however, when dimensional weight is excessive, LTL carriers are the most cost effective choice. Spare parts orders received before 1:00 PM EST can usually be shipped the same day.

The order department is happy to assist with routing or shipping questions.

PAYMENT TERMS:

Cash should be included with all orders unless credit terms have been arranged. To establish credit, banking and trade references are required. A convenient credit application is available upon request. Payment via credit card is not our normal means of receiving payment. Visa and MasterCard will be accepted, but must be charged at the time of shipment. In addition, a payment via credit card for orders totaling more than \$500 will incur a 3% convenience fee on the total transaction amount.

DELIVERY:

The majority of equipment is manufactured to order and typically ships within three to six weeks after complete order information is received by the factory. In-stock equipment typically ships within two to three days of the factory receiving complete order information.

RETURNS:

Items specified as "Manufactured to Order" are NOT returnable.

A Return Authorization number must be issued by the factory in advance for any items that are returnable. The number MUST be noted on the outside of the returned package. Returns must be received within 90 days of the issue date. Shipping charges must be prepaid. A minimum 20% restocking charge will be applied to all authorized returns if received in new, unused condition in the original packaging.

The above conditions apply to spare part returns, except spare part returns must be received within 30 days of original shipment for electronic or electrical parts or within 90 days for all other parts.

LOSS OR DAMAGE:

For customer routed shipments, Glastender, Inc. is not responsible for any loss, damage, or delay of merchandise during shipment. Such transit claims must be filed with the carrier. Merchandise must be examined on arrival. If shortages occur, Glastender, Inc. must be notified in writing within five (5) days of delivery to honor any shortage claim. Glastender will assume responsibility for freight claims on Prepay and Add shipments but the customer must inspect freight and note any damage upon receipt. Failure to do so may result in losses at the customer's expense.

CUSTOM ORDERS:

Custom orders must be paid in advance and are not subject to cancellation.

LAMINATES:

Some products include common, readily available plastic laminates of the customer's selection. There may be an additional charge if uncommon varieties are ordered.

12/14/17

WARRANTY STATEMENT

APPLICABLE TO ALL PRODUCTS SOLD WITHIN THE UNITED STATES AND CANADA

Glastender, Inc. warrants all products to be free of defects in material and workmanship. One-year labor and parts warranty applies to all glasswashers, self-contained refrigeration models, and BDS model bottle disintegration units. In established areas, a start up is included with GT-24 and GT-30 model glasswashers. Warranty is effective for one year from the date of installation or up to 18 months from date of factory shipment, whichever occurs sooner. Glastender, Inc. will replace any part or assembly found defective under normal use and service.

For warranty labor claims beyond 15 months from the date of factory shipment, proof of date of installation or occupancy must be provided. Authorization for labor must be obtained from Glastender within the warranty period and prior to the service being performed.

Labor warranty applies to the United States and Canada only.

Remote refrigeration models and beer line chillers include a one-year parts warranty only. There is no labor warranty on these products.

Field replacement parts not covered under the original warranty include a 90-day part warranty from the date of installation.

FOUR YEAR ADDITIONAL COMPRESSOR WARRANTY: Glastender will warrant to the original user the compressor for all self-contained refrigeration models for an additional four years following the regular one-year warranty period. This plan applies to the compressor only.

A completed warranty claim form **MUST** accompany all returned defective parts or assemblies. Upon request, a defective part or assembly must be returned to Glastender, Inc., Saginaw, Michigan, with all transportation and delivery charges prepaid. Warranty repairs or replacements will be shipped FOB factory in Saginaw, Michigan. Reimbursement for applicable freight charges covers ground service only.

Glastender provides in-warranty repairs during a service company's regular working days and hours. There is no provision for payment of a premium rate during "overtime" hours. When warranty service is requested during other than normal working hours, the end user will be charged the premium portion of the overtime rate.

The warranty covers substantiated travel expenses for up to 2 hours / 100 miles round trip up to a maximum of \$150. Any additional costs due to installations that require extra work, time, or travel to gain access for service are the sole responsibility of the equipment purchaser. Any exceptions to these travel and access limitations must be pre-approved by a factory representative.

The warranty does not cover door gaskets, chemical tubing, pump squeeze tubing, and/or any equipment subjected to accidents, freight damage, alterations from the original design, improper power and/or plumbing hookups, improper chemical use, general misuse, or lack of routine required maintenance as determined by Glastender, Inc. Installation, normal control adjustments, general maintenance, correcting an installation error, or service calls that reveal the unit is functioning normally will not be reimbursed under warranty.

Condenser coils on self-contained refrigeration products must be cleaned regularly. Failure to provide adequate air flow to a refrigeration unit will void the warranty.

Glastender shall not be liable for loss of use, revenue, or profit, or for any other indirect, incidental, special, or consequential damage including, but not limited to, product spoilage or loss.

This warranty is conditioned upon Glastender receiving notice of any defect subject to this warranty within sixty (60) days of its discovery by the end user or dealer. All products are warranted only for the initial place of installation. Removal of a product automatically terminates this warranty.

Glastender, Inc. • 5400 North Michigan Road • Saginaw, MI • 48604-9780
800.748.0423 • 989.752.4275 • Fax 989.752.4444 • www.glastender.com

SECOND YEAR EXTENDED PARTS & LABOR WARRANTY:

Glastender's one-year parts and labor warranty on self-contained refrigeration units, excluding beer line chillers, can be extended to two years with the purchase of a two year parts and labor warranty. Specify part number EWR2 (\$150 net price) when ordering.

EXPORT WARRANTY - One year parts only.

EXCLUSION OF WARRANTIES

EXCEPT AS PROVIDED ABOVE, GLASTENDER MAKES NO WARRANTIES, EXPRESS OR IMPLIED, INCLUDING, BUT NOT LIMITED TO, ANY IMPLIED WARRANTY OF MERCHANTABILITY, FITNESS FOR A PARTICULAR PURPOSE OR NON-INFRINGEMENT.

LIMITATION OF REMEDIES AND DAMAGES If Buyer makes a valid and timely claim as outlined above, Glastender's liability and Buyer's remedies under this agreement will be limited solely to labor charges authorized and/or replacement or credit, at Glastender's option, with respect to Products returned at Buyer's expense within thirty (30) days after warranty repair. GLASTENDER'S LIABILITY WILL IN NO EVENT BE GREATER IN AMOUNT THAN THE PURCHASE PRICE OF THE RETURNED PRODUCTS. GLASTENDER WILL NOT BE LIABLE UNDER ANY CIRCUMSTANCE FOR CONSEQUENTIAL OR INCIDENTAL DAMAGES, INCLUDING, BUT NOT LIMITED TO, LABOR COSTS EXCEPT AS COVERED UNDER OUR WARRANTY, LOST PROFITS OR THE LOSS OF PERISHABLE PRODUCTS RESULTING FROM THE USE OF OR INABILITY TO USE OUR PRODUCTS OR FROM OUR PRODUCTS' INCORPORATION INTO OR BECOMING A COMPONENT OF ANY OTHER PRODUCT. NEITHER PARTY WILL HAVE ANY NEGLIGENCE OR OTHER TORT LIABILITY TO THE OTHER, OR TO ANY THIRD PARTY, ARISING FROM ANY BREACH OF THIS AGREEMENT.

GOVERNING LAW - JURISDICTION

The terms and conditions of an order are to be governed and construed according to the laws of the State of Michigan, without regard to conflict of laws principles. Buyer hereby consents to the jurisdiction and venue of the courts located in Saginaw County, Michigan.

No representative, distributor, dealer, or any other person is authorized to modify this warranty. This warranty replaces all other written or verbal warranties.

NOTE: Glastender, Inc.'s policy of constant quality improvement means that prices, specifications, and policies are subject to change without notice. Questions regarding this warranty should be directed to Glastender's Warranty Administrator.

04-19-17

IMPORTANT!!

Attention Service Companies

Please review the important warranty information on this page. If you believe a service call should be covered by the factory, please call the factory for authorization between 8AM and 5PM EST, Monday through Friday.

INSTALLATION

INTRODUCTION

This manual describes the operational features of Front Vent Coolers and Mug Frosters. Please review this information before attempting installation and operation.

Long term, trouble-free service will follow if good housekeeping and maintenance procedures are followed. Thank you for selecting Glastender, Inc. products.

UTILITY REQUIREMENTS AND CONNECTIONS

- **Electrical:** 120 Volt AC, 1 Phase, 60 Hz. A separate 15 Amp circuit is recommended. A 10-foot grounded cord and plug is included with self-contained models.
- **Plumbing:** Automatic condensate evaporator is included. No drain connection required.

UNCRATING AND START-UP INSTRUCTIONS

All models are shipped in one carton. These steps should be followed:

1. If legs or casters are included, bolt them to the base with the bolts provided.
2. Unwrap power cord from base if included.
3. Position unit and level and/or seal as required (see page 6).
4. Place shelves in desired location.
5. Plug into 120 volt AC outlet if a power cord is included.
6. Load FV with bottles or cans or load MFV with glassware and allow time for products/glassware to cool.
7. Your Glastender equipment is now ready for use.

OPERATION

The operating temperature range varies. See digital thermostat instructions.

Self-contained models include an automatic defrost system.

FV models automatically defrost every 6 hours for approximately 20 minutes. During the defrost the fan inside the cooler will remain on and the refrigeration system will turn off.

MFV models automatically defrost every 8 hours for approximately 20 minutes and use a hot gas defrost system using the compressor to circulate hot gas through the evaporator to melt ice accumulation. The evaporator fan remains off during defrost so that warm air is not forced into the product zone. The evaporator fans do not re-start until after the refrigeration cycle has re-started and cools the evaporator coil. MFV models also have a 6 hour manual defrost cycle that can be initiated at the end of the night to defrost the entire box. During the 6 hour defrost the compressor remains off and the evaporator fan runs continuously. At the end of the 6 hour defrost cycle the refrigeration cycle re-starts automatically.

CLEANING INSTRUCTIONS

Cleaning is essential to sustaining the integrity of your equipment and preventing corrosion.

ESTIMATED CLEANING TIME: 5 to 10 minutes per unit daily, 45 minutes quarterly

FREQUENCY: Daily cleaning of exterior & door gaskets. Quarterly cleaning of interior, including shelves.

PROCEDURE:

1. A non-chlorine based cleaner or mild detergent and warm water applied with a soft cloth or sponge to all contact surfaces.
2. Immediately rinse off cleaning agent(s), using clean warm water, clean soft cloth or sponge.
3. Dry with a soft clean cloth, removing standing water as soon as possible.

Cleaning Instructions continued on page 6

INSTALLATION

Cleaning Instructions continued from page 5

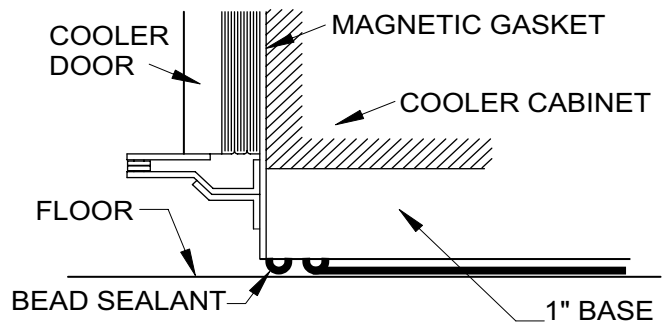
NOTES:

1. Never use hydrochloric acid, wire brushes, steel wool, scrapers, or chlorine based cleaners on stainless steel surfaces, since they will break down the passivity layer and allow corrosion to occur.
2. On stainless steel surfaces, you may use a soft bristle brush or Scotch-Brite® pad for more stubborn stains. Always scrub with the direction of the grain. Follow with a thorough cleaning as described above.
3. Deposits from food preparation must be properly removed. Even hard water deposits will rust stainless steel, if not removed.
4. Repeated cleaning may dry up black-vinyl-clad steel (exterior) surfaces of the cooler. Armor All® or similar product can bring back the shine. Apply the product to a cloth and then rub into the surface, rather than spraying it directly onto the black-vinyl-clad surface.
5. The cooler door gaskets are most often overlooked when cleaning. Failure to clean them regularly will lead to premature failure, since alcohol and moisture build-up breaks down the gasket material.
6. Take care when removing the front grill to clean the compressor compartment as the thermostat control probe wire connector may become disconnected. See page 2 for complete information.

SEALING VERTICAL DOOR COOLER TO FLOOR

To comply with NSF & health codes if the unit is not on legs or casters, the cooler base must be sealed to the floor using NSF listed sealant. Place a bead of sealant along outer edges of the base and remove excess with disposable towel. The floor sealing procedure does not apply to models that include legs or casters.

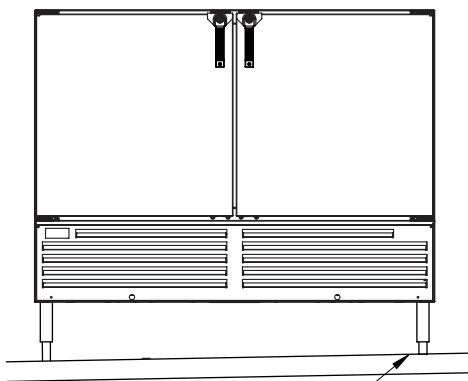
Side View of Cabinet



ATTENTION INSTALLER: WARNING!!

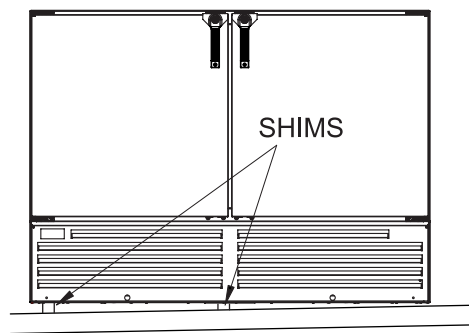
Failure to level this cooler WILL VOID THE FACTORY WARRANTY. Doors will not close properly causing damage to hinges, handles, and/or gaskets which will adversely affect the refrigeration systems.

COOLER WITH 6" LEGS



ADJUSTABLE BULLET FEET

COOLER WITHOUT LEGS



LEVEL COOLER AND SUPPORT WITH SHIMS

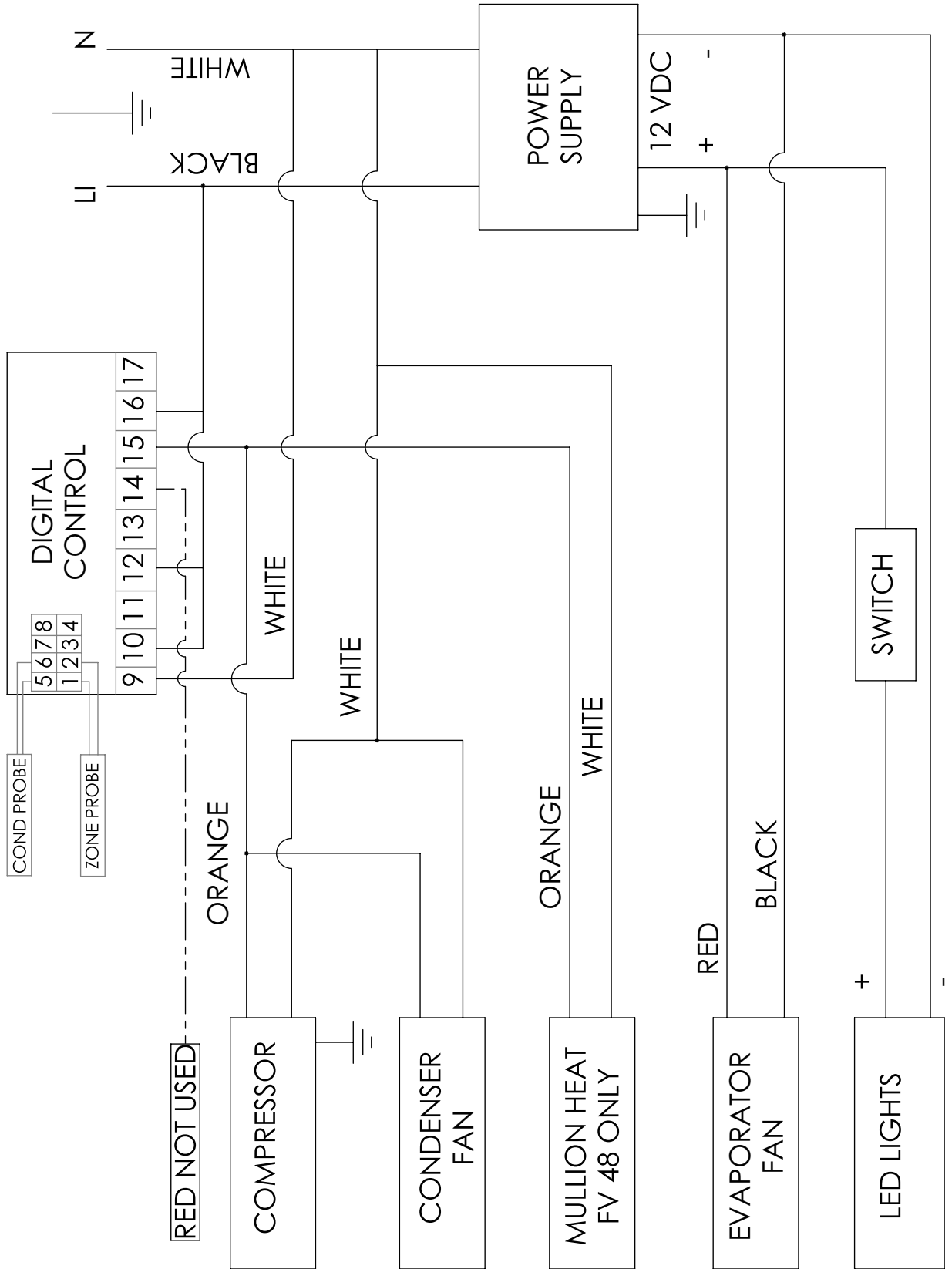
INSTALLATION

COOLER INSTALLATION CHECKLIST

- Is the unit evenly and solidly supported, either upon legs, or flat on the base; check for high spots?
- If the optional legs included, are they attached?
- Is the unit level at the base, from end to end?
- Do the doors open and close freely, without touching any other part of the unit in travel?
- Are there open holes to the outside of the cabinet which are not plugged or insulated?
- Are there obstructions of any kind to air flow into or out of the condensing unit?
- Is product tubing or are other lines installed in such a manner to not allow shelf access?

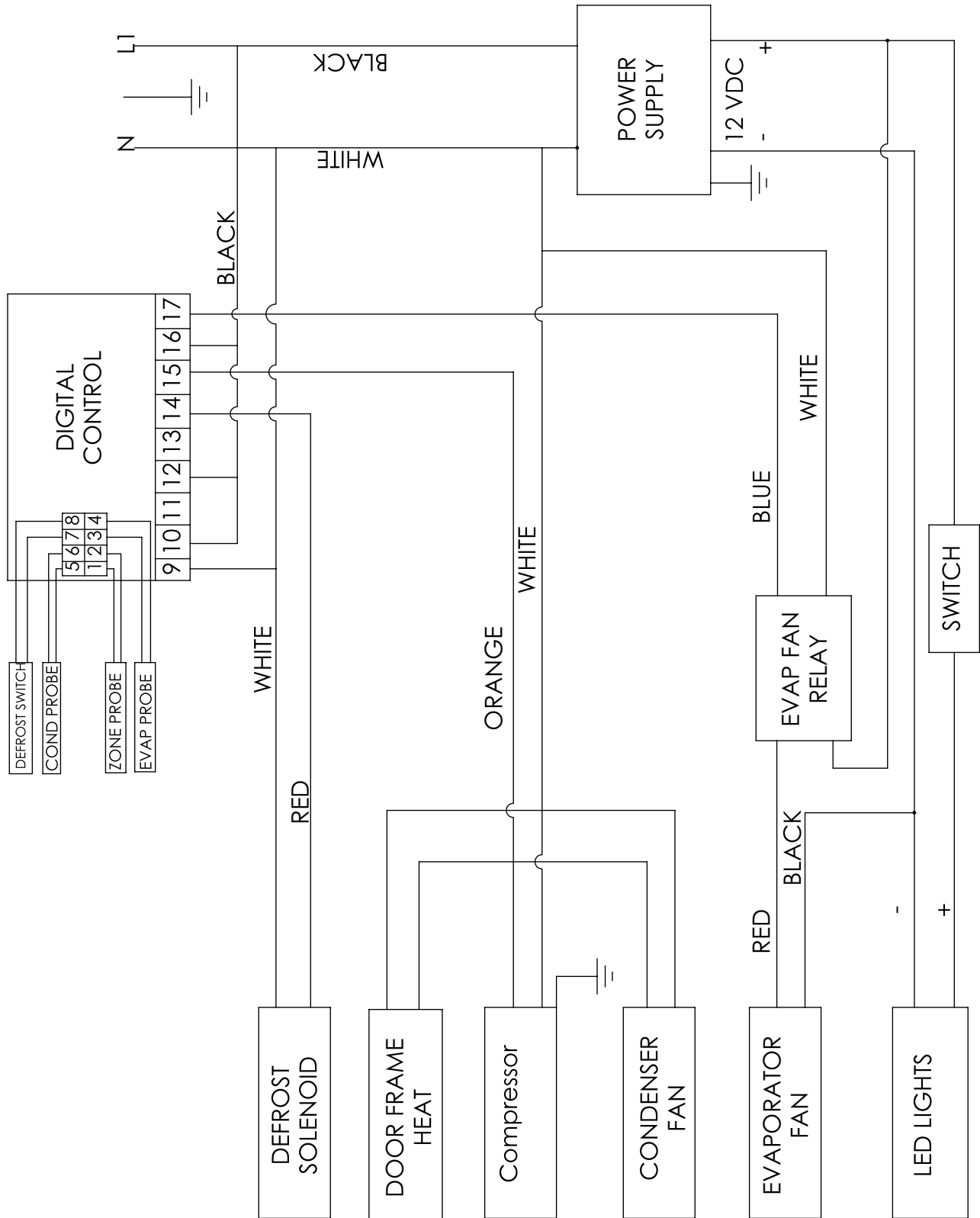
FV WIRING DIAGRAM

FV WIRE DIAGRAM - 06010195



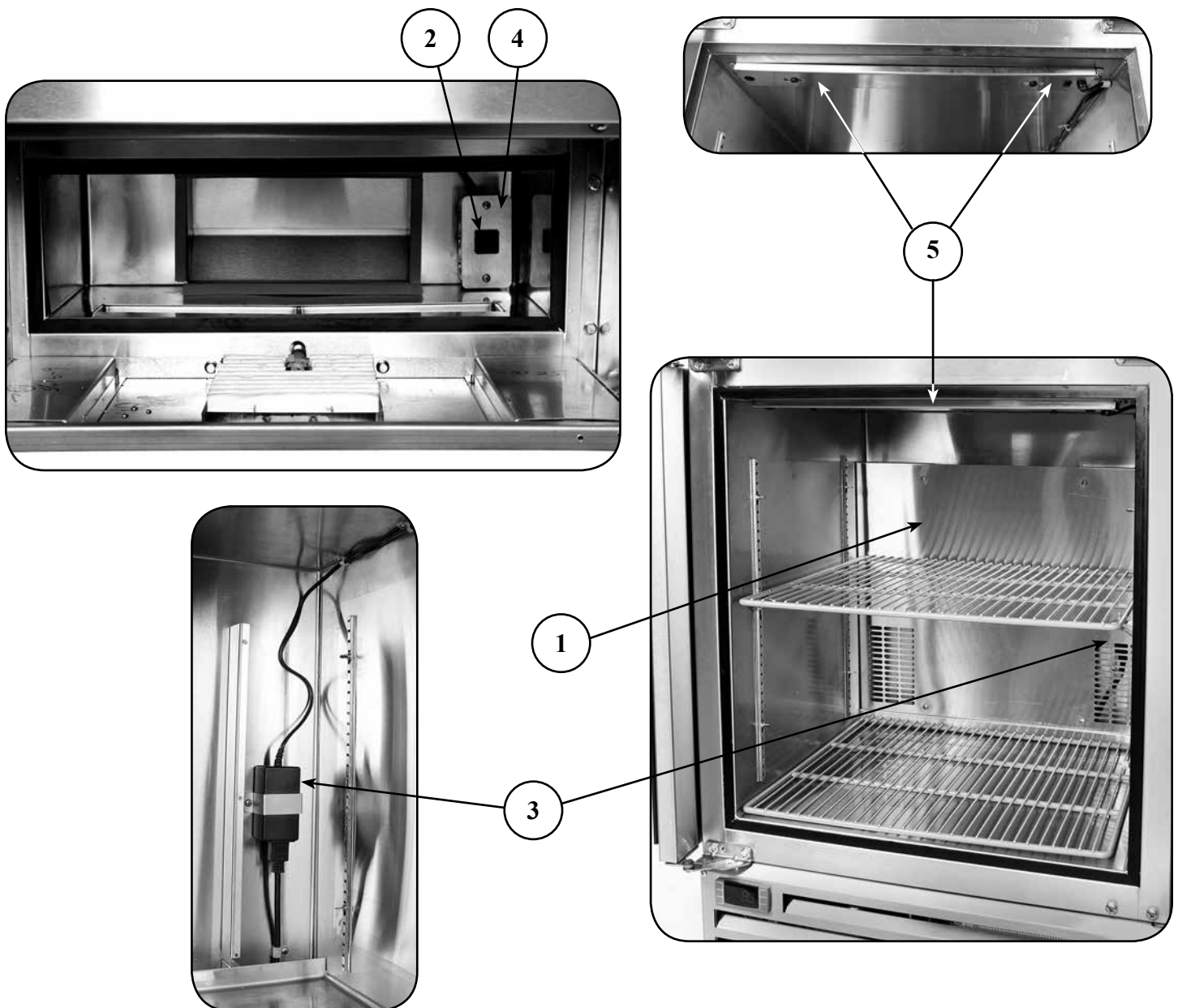
MFV WIRING DIAGRAM

MFV WIRE DIAGRAM - 07000928



INTERIOR PARTS

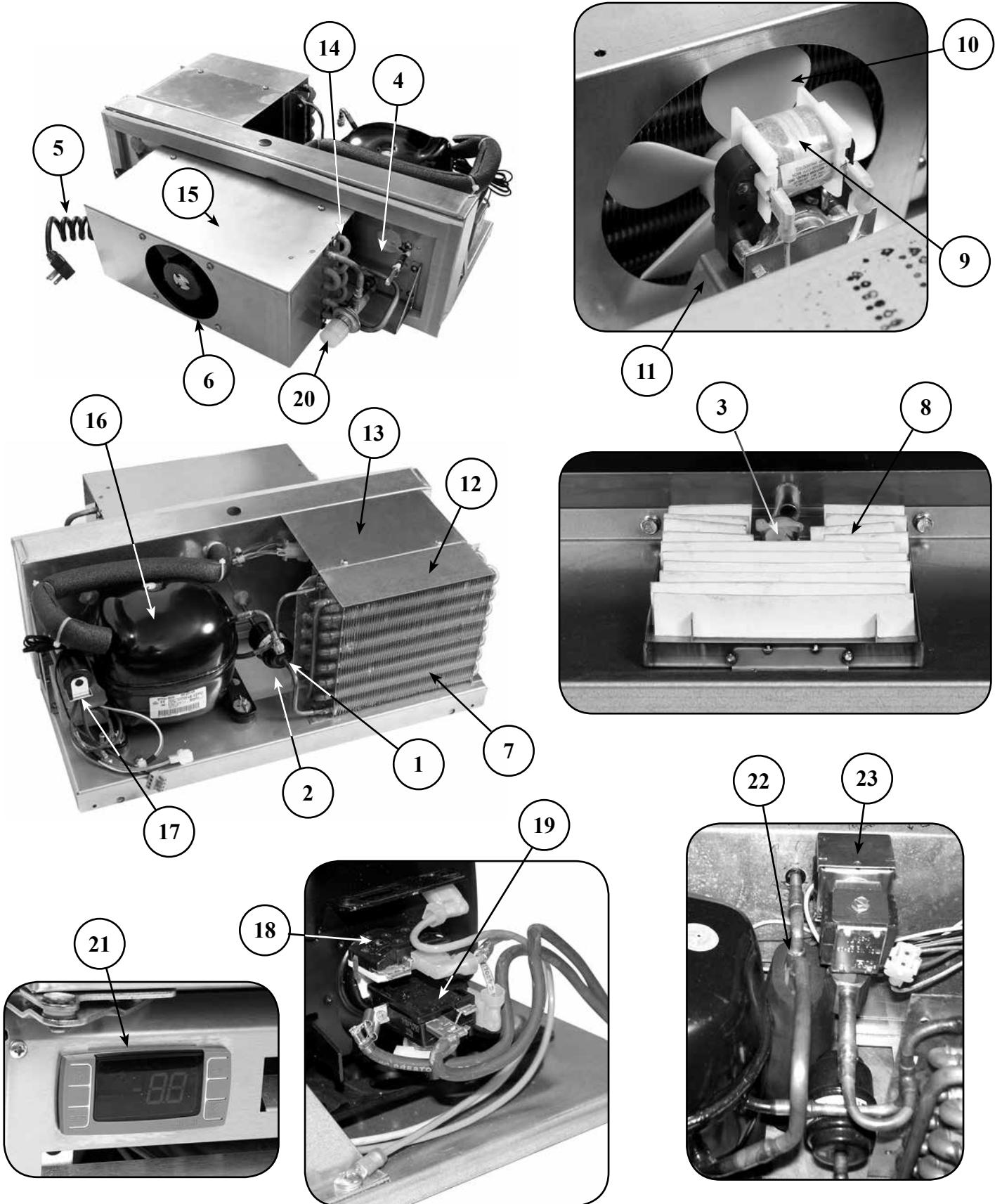
<u>PART NO.</u>	<u>DESCRIPTION</u>	<u>PRICE</u>
1. 06009748	Air chute cover (FV24 & MFV24)	\$40.00
06009747	Air chute cover, left (FV48 & MFV48)	44.00
06009746	Air chute cover, right (FV48 & MFV48)	45.00
2. 06001409	Receptacle	5.00
3. 06009699	Power supply kit, LED light, CM, FV, MFV, PT, UCR, WMR, remote coolers	60.00
4. 06000011	Cover, electrical box, with knockout	10.00
5. 06009142	LED lighting, FV24, MFV24	55.00
06009186	LED lighting, FV48	85.00



CONDENSOR AND EVAPORATOR PARTS

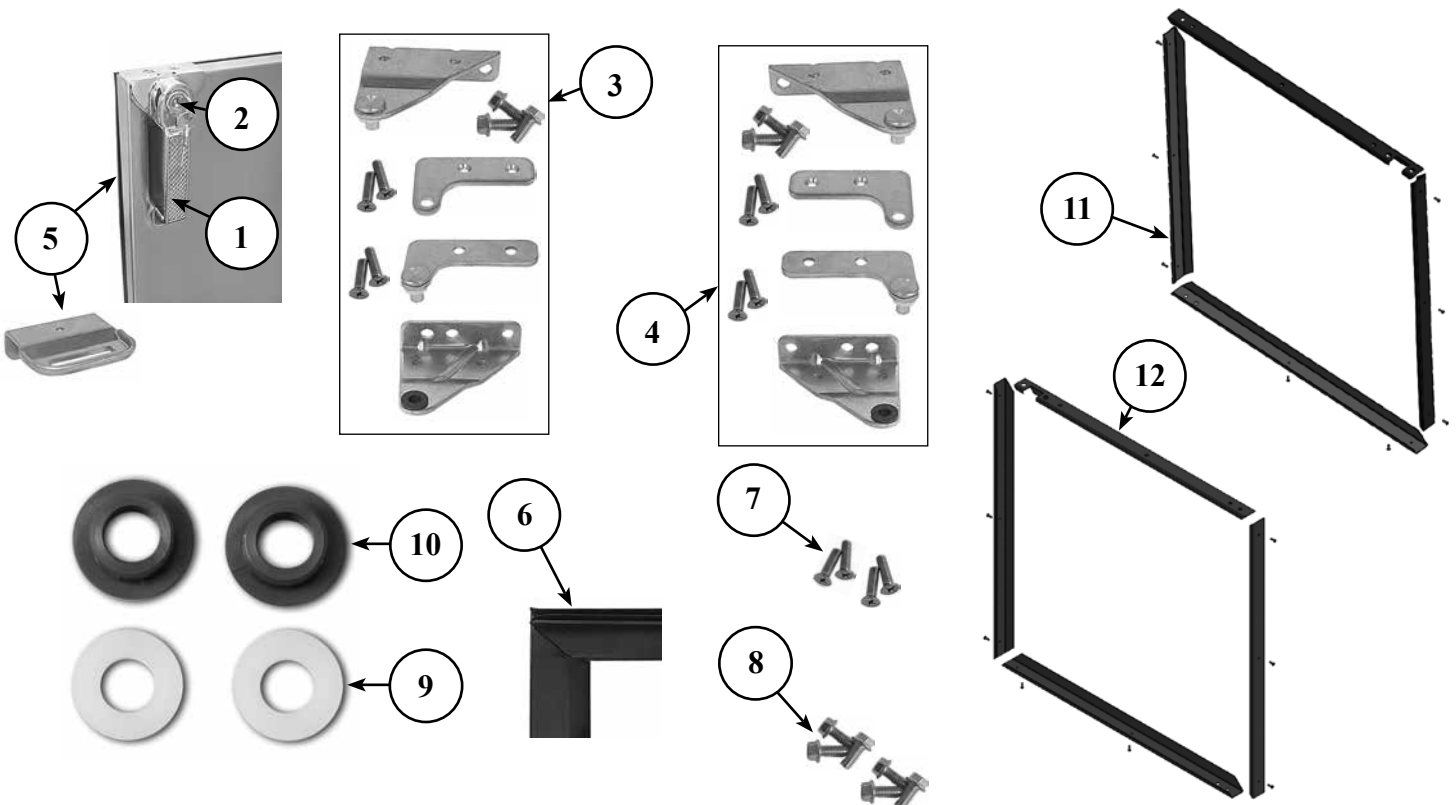
<u>PART NO.</u>	<u>DESCRIPTION</u>	<u>PRICE</u>
1. 06010023	Filter dryer, receiver, combo	\$40.00
2. 09000308	Valve, schrader, 1/4" x 2-1/2", copper	5.00
3. 06001461	Elbow, white nylon, 1/2" x 1/2"	2.00
4. 06010049	Probe, 5 meters, black	10.00
5. 06009144	Coil cord, 14/3	22.00
6. 06010024	Fan, axial, 12VDC	60.00
7. 11000080	Condenser coil	225.00
8. 06009298	Wicking material, (7) 12" x 1" wide, FV/MFV	15.00
9. 06001449	Condenser fan motor 6 WATT	100.00
10. 06010027	Condenser fan blade	10.00
11. 06006990	Condenser fan motor bracket	14.00
12. 06006987	Condenser fan shroud	14.00
13. 06009106	Condenser fan deflector (FV24 and MFV24 only)	20.00
14. 06009143	Evaporator coil	125.00
15. 06009101	Evaporator coil shroud (FV24 and MFV24)	24.00
06009194	Evaporator coil shroud (FV48 and MFV48)	28.00
Standard Cooler Temperature Items - FV Models		
16. 06008990	Compressor (FV24, FV48), 115V, 60Hz	\$390.00
17. 06009280	Compressor start capacitor (FV24, FV48) 115V, 60Hz	21.00
18. 06009289	Compressor overload protector (FV24 and FV48) 115V, 60Hz	15.00
19. 06009279	Compressor relay (FV24, FV48) 115V, 60Hz	15.00
20. 06010046	Expansion valve (FV24 and FV48)	110.00
21. 06011056	Controller (FV24 and FV48) 120V, 60Hz	120.00
06010700	Refrigeration module replacement, FV24, 120V	1,498.00
06010701	Refrigeration module replacement, FV48, 120V	1,501.00
Low Temperature Items - MFV Models		
07000796	Compressor (MFV24 and MFV48) 115V, 60Hz	\$485.00
07000800	Compressor start capacitor (MFV24 and MFV48) 115V, 60Hz	21.00
07000799	Compressor overload protector (MFV24 and MFV48) 115V, 60Hz	15.00
07000798	Compressor relay (MFV24 and MFV48) 115V, 60Hz	15.00
07000949	Valve, expansion	115.00
07000283	Digital controller (MFV24 and MFV48) 120V, 60Hz	125.00
22. 07000953	Accumulator, suction line (MFV24 and MFV48)	30.00
23. 06010152	Solenoid valve, remote (MFV24 and MFV48), does not include coil	85.00
06010153	Defrost solenoid coil, 120V	42.00
07000769	Relay, evaporator fan, 120V	65.00
06010704	Refrigeration module replacement, MFV24, 120V	1,930.00
06010705	Refrigeration module replacement, MFV48, 120V	1,962.00

CONDENSOR AND EVAPORATOR PARTS



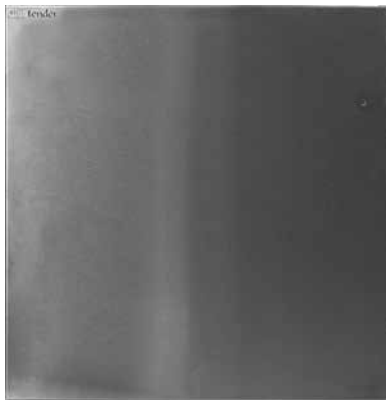
DOORS AND RELATED PARTS

PART NO.	DESCRIPTION	PRICE
1. 06001462	Door handle, stainless	\$60.00
06001653	Door handle, brass	110.00
2. 06001536	Door lock, stainless	36.00
06004009	Key, #806, for stainless cooler door lock (06001536)	4.00
06001535	Door lock, brass	43.00
06004010	Key, #606, for brass cooler door lock (06001535)	4.00
06001677	Plug for door handle, stainless	1.00
06001678	Plug for door handle, brass	1.00
00000067	Screws for top of handle, stainless, 2 required	1.00
00000016	Screws for top of handle, brass, 2 required, 10/32 x 5/8" PFH Machine Screw	1.00
00000258	Screw for bottom of handle, stainless	.50
3. 06001372	Hinge set and brackets, 180° swing, left (complete with screws)	35.00
4. 06001373	Hinge set and brackets, 180° swing, right (complete with screws)	35.00
5. 07000356	Lock bracket	10.00
6. 06003713	Cooler door gasket, push-in style, black, 22-1/2" x 23" OD	42.00
7. 00000067	Screw for door hinges (4 required)	.50 ea
8. 00000041	Bolts for brackets (6 required)	.50 ea
9. 06001485	Plastic washer for hinge	1.00
10. 06001569	Bushing for hinge (gray)	1.00
11. 06003384	Trim rail kit, FV, integrated lock, L hinge	35.00
12. 06003385	Trim rail kit, FV, integrated lock, R hinge	35.00

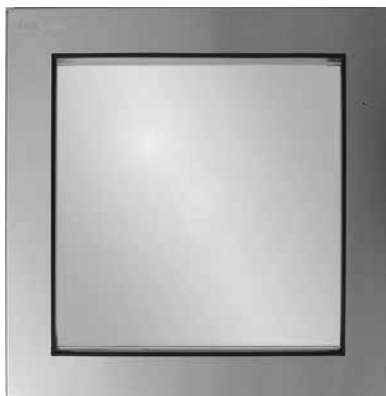


DOORS AND RELATED PARTS

<u>PART NO.</u>	<u>DESCRIPTION</u>	<u>PRICE</u>
06008440	Door, black	\$308.00
1. 06008441	Door, stainless	358.00
06008613	Door, laminated, left	428.00
06008614	Door, laminated, right	428.00
06008442	Door, unlaminated, left	428.00
06008443	Door, unlaminated, right	428.00
06008444	Door, glass, black, double pane, FV	598.00
06008445	Door, glass, stainless, double pane, FV	648.00
06008446	Door, glass, laminated, double pane, FV, left	718.00
06008447	Door, glass, laminated, double pane, FV, right	718.00
07000963	Door, glass, black, triple pane, MFV	688.00
2. 07000964	Door, glass, stainless, triple pane, MFV	738.00
07000965	Door, glass, laminated, triple pane, MFV, left	808.00
07000966	Door, glass, laminated, triple pane, MFV, right	808.00
06008448	Door, SPECIAL ORDER GLASS, black, FV	598.00
06008449	Door, SPECIAL ORDER GLASS, stainless, FV	648.00
06008450	Door, SPECIAL ORDER GLASS, laminated, FV, left	718.00
06008451	Door, SPECIAL ORDER GLASS, laminated, FV, right	718.00



1

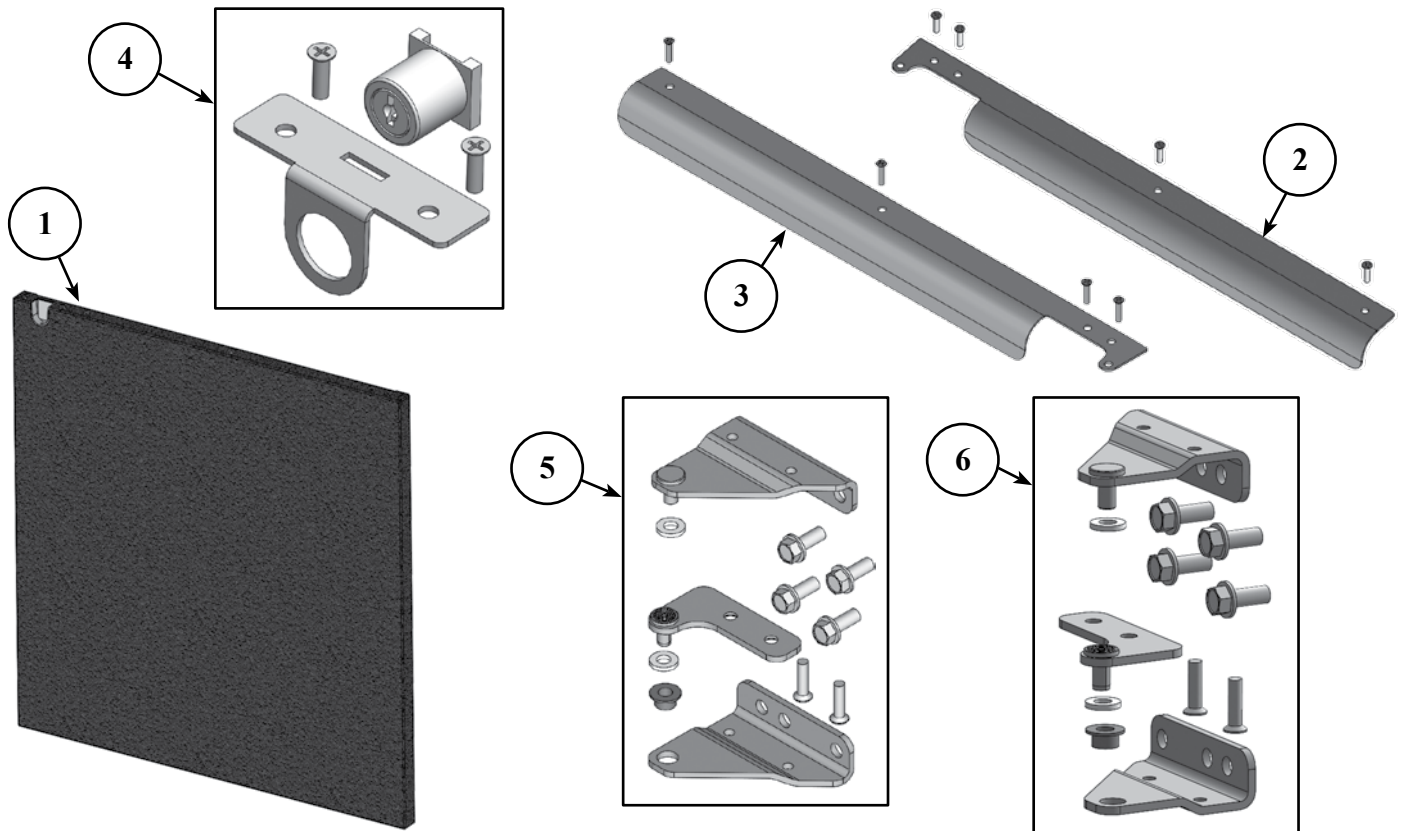


2



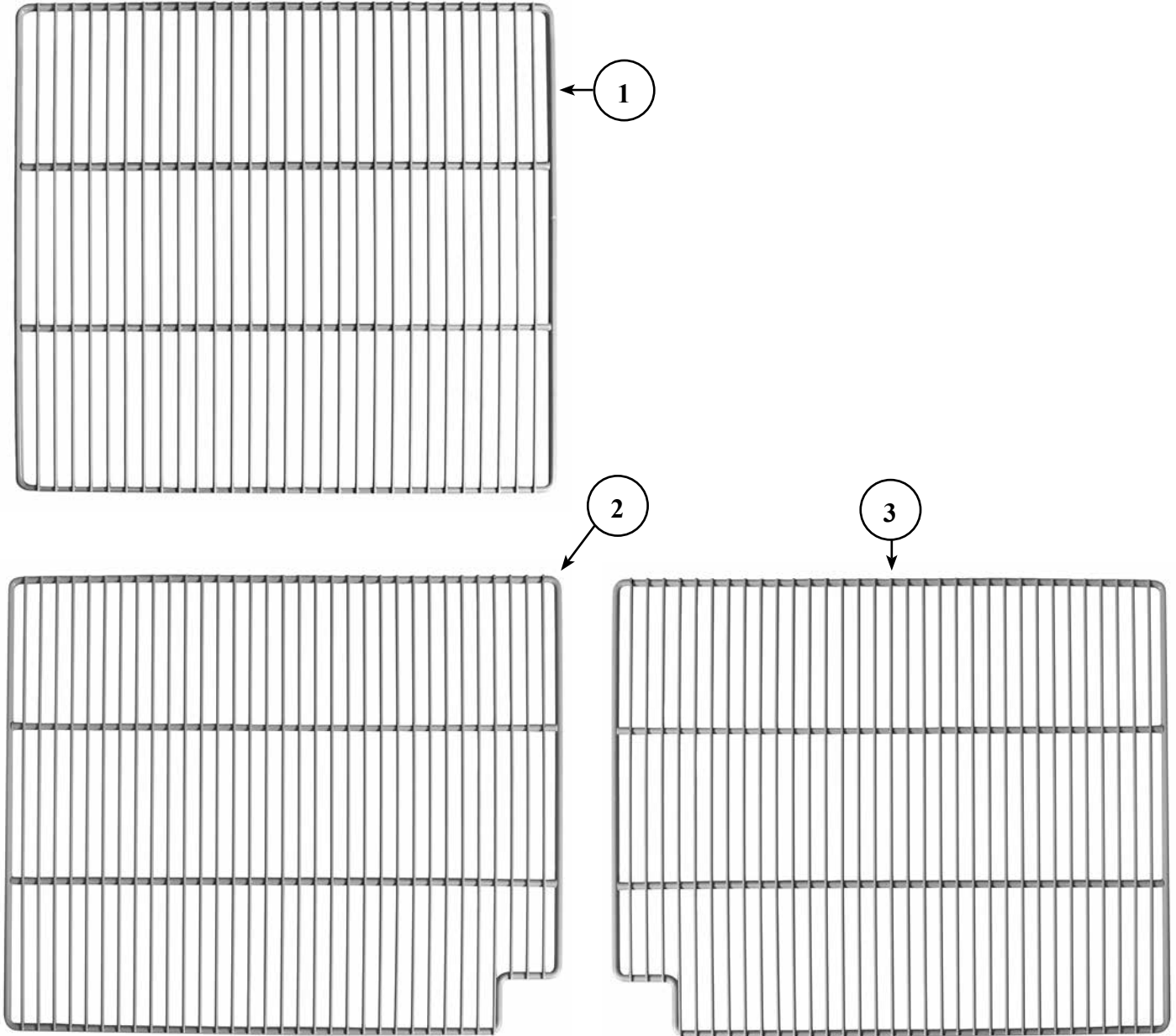
INTEGRATED LOCK DOORS AND RELATED PARTS

PART No.	DESCRIPTION	PRICE
06003388	Door, stainless, FV, integrated lock, L hinge	\$395.00
06003394	Door, stainless, FV, integrated lock, R hinge	395.00
06003389	Door, black, FV integrated lock, L hinge	395.00
1. 06003395	Door, black, FV integrated lock, R hinge	395.00
06003390	Door, laminated, FV integrated lock, L hinge	465.00
06003396	Door, laminated, FV integrated lock, R hinge	465.00
06003437	Door, unlaminated, FV integrated lock, L hinge	465.00
06003445	Door, unlaminated, FV integrated lock, R hinge	465.00
06003391	Door, stainless, glass, FV, integrated lock, L hinge	685.00
06003397	Door, stainless, glass, FV, integrated lock, R hinge	685.00
06003392	Door, black, glass, FV integrated lock, L hinge	685.00
06003398	Door, black, glass, FV integrated lock, R hinge	685.00
06003393	Door, laminated, glass, FV integrated lock, L hinge	685.00
06003399	Door, laminated, glass, FV integrated lock, R hinge	685.00
2. 06010101	Tab handle, door, left hinge	80.00
3. 06010098	Tab handle, door, right hinge	80.00
06010394	Integrated lock components standard	40.00
4. 06010395	Integrated lock components laminated	40.00
5. 06002480	Left hinge set, FV, integrated lock door	35.00
6. 06002481	Right hinge set, FV, integrated lock door	35.00



SHELVING, RACKS AND RELATED PARTS

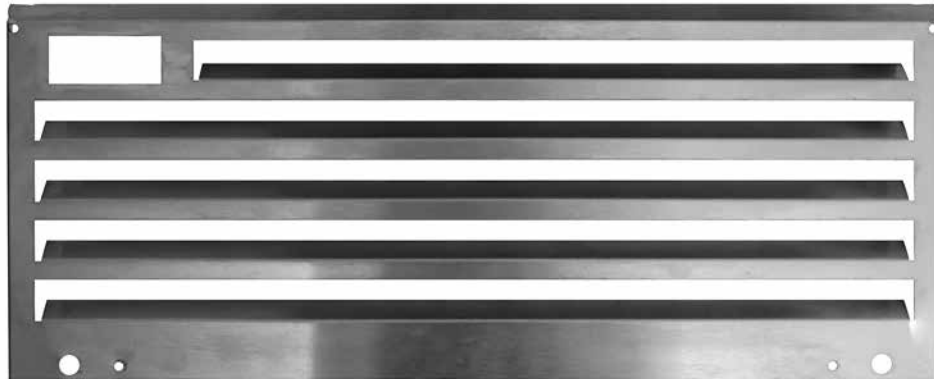
PART No.	DESCRIPTION	PRICE
1. 06004398	Grey coated shelf, 19-1/4" x 17-3/8" (FV24, MFV24)	\$77.00
06001564	Pilaster	5.00
06001574	Thumbscrew, stainless steel, for pilaster	2.00
06001565	Clip, for pilaster, stainless steel	2.00
2. 06009328	Grey coated shelf, 17-3/8" x 21-9/16", left (FV48, MVF48)	77.00
3. 06009329	Grey coated shelf, 17-3/8" x 21-9/16", right (FV48, MVF48)	77.00



GRILLS

<u>PART NO.</u>	<u>DESCRIPTION</u>	<u>PRICE</u>
1. 06008488	Grill, stainless, FV24 (March 2017 and after)	\$80.00
06008498	Grill, stainless, MFV24 (March 2017 and after)	80.00
06008500	Grill, stainless, MFV24, for use with WD	80.00
06008487	Grill, black vinyl, FV24 (March 2017 and after)	50.00
06008497	Grill, black vinyl, MFV24 (March 2017 and after)	50.00
06008499	Grill, black vinyl, MFV24, for use with WD	50.00
06008493	Grill, stainless, FV48 (March 2017 and after)	90.00
06008503	Grill, stainless, MFV48 (March 2017 and after)	90.00
06008505	Grill, stainless, MFV48, for use with WD	90.00
06008492	Grill, black vinyl, FV48 (March 2017 and after)	70.00
06008502	Grill, black vinyl, MFV48 (March 2017 and after)	70.00
06008504	Grill, black vinyl, MFV48, for use with WD	70.00

①



220 CONDENSOR AND EVAPORATOR PARTS

<u>PART NO.</u>	<u>DESCRIPTION</u>	<u>PRICE</u>
06001451	Condenser fan motor, 220V, 50-60Hz	\$125.00
Standard Cooler Temperature Items - FV Models		
06009150	Compressor, 220-240V, 50Hz	\$390.00
06009282	Compressor start capacitor, 220-240V, 50Hz	21.00
06009288	Compressor overload protector, 220-240V, 50Hz	15.00
06009281	Compressor relay, 220-240V, 50Hz	15.00
06011056	Controller, 220V, 50Hz	120.00
Low Temperature Items - MFV Models		
07000797	Compressor, 220-240V, 50Hz	\$470.00
07000803	Compressor start capacitor, 220-240V, 50Hz	21.00
07000802	Compressor overload protector, 220-240V, 50Hz	390.00
07000801	Compressor relay, 220-240V, 50Hz	390.00
07000283	Digital controller, 230V	125.00
06010154	Solenoid coil, 220V	45.00
07000770	Relay, evaporator fan, 220V	65.00