

Operation Manual, Parts Directory, and Price List

Glastender®

A Family Company Manufacturing
In The USA Since 1969

MUG FROSTERS AND PLATE CHILLERS*

MF24, MF36, MF48

***This manual is specific to Mug Frosters
manufactured PRIOR TO March 27, 2017**



MF24-S



MF48-B2

Glastender, Inc. · 5400 North Michigan Road · Saginaw, MI · 48604-9780
800.748.0423 · 989.752.4275 · Fax 989.752.4444 · www.glastender.com



INDEX

<u>TOPIC</u>	<u>PAGE</u>
Terms and Conditions	1
Warranty Statement.....	2
Installation.....	3
Operation.....	4
Cleaning Instructions	4-5
Electrical and Refrigeration Specifications	6
Wiring Diagrams.....	6-7
Compressor and condenser related parts	8-9
Evaporator and related parts	10-11
Electrical Components	12-13
Shelving and related parts.....	14
Doors, tops and related parts	15
Refrigeration compartment covers	16
220 Volt Electrical Parts	17

TERMS AND CONDITIONS

PRICES:

All prices are LIST. Applicable taxes will be added.

QUOTATIONS:

Unless otherwise stated, quotations are effective for 30 days only.

ACCEPTANCE:

All orders are subject to acceptance by Glastender, Inc.'s headquarters in Saginaw, Michigan. Possession of the Product Directory and Price List is not an offer to sell.

SHIPMENTS:

F.O.B. factory in Saginaw, Michigan. Freight terms are Third Party or Collect if shipped directly to you. Prepay and Add to Invoice freight terms are available upon request. The approximate shipping weights of all products are listed with the prices. Partial shipments will be made unless otherwise specified by the customer. Surface freight classifications are:

- GT-24/GT-30/GW24 Glasswashers - Class 175
- GT-18 Glasswashers - Class 250
- All Underbar Equipment - Class 175
- Bar Die Orders – Class 250
- Portable Bars - Class 175
- Remote refrigerators (i.e., no compressor) or dry storage back bar equipment - Class 175
- Self-contained refrigeration equipment - Class 150
- Ice Display Units (IDU and GDU) - Class 85
- Lighted Liquor Displays - Class 85
- Beer line chillers and beer towers (beverage dispensing equipment) - Class 92.5
- Bottle Disintegration System - Class 150
- Ice Cream Freezers - Class 77.5

All small items are evaluated to see the most cost effective means for shipment. Many small items ship via UPS or FedEx; however, when dimensional weight is excessive, LTL carriers are the most cost effective choice. Spare parts orders received before 1:00 PM EST can usually be shipped the same day.

The order department is happy to assist with routing or shipping questions.

PAYMENT TERMS:

Cash should be included with all orders unless credit terms have been arranged. To establish credit, banking and trade references are required. A convenient credit application is available upon request. Payment via credit card is not our normal means of receiving payment. Visa and MasterCard will be accepted, but must be charged at the time of shipment. In addition, a payment via credit card for orders totaling more than \$500 will incur a 3% convenience fee on the total transaction amount.

DELIVERY:

The majority of equipment is manufactured to order and typically ships within three to six weeks after complete order information is received by the factory. In-stock equipment typically ships within two to three days of the factory receiving complete order information.

RETURNS:

Items specified as "Manufactured to Order" are NOT returnable.

A Return Authorization number must be issued by the factory in advance for any items that are returnable. The number MUST be noted on the outside of the returned package. Returns must be received within 90 days of the issue date. Shipping charges must be prepaid. A minimum 20% restocking charge will be applied to all authorized returns if received in new, unused condition in the original packaging.

The above conditions apply to spare part returns, except spare part returns must be received within 30 days of original shipment for electronic or electrical parts or within 90 days for all other parts.

LOSS OR DAMAGE:

For customer routed shipments, Glastender, Inc. is not responsible for any loss, damage, or delay of merchandise during shipment. Such transit claims must be filed with the carrier. Merchandise must be examined on arrival. If shortages occur, Glastender, Inc. must be notified in writing within five (5) days of delivery to honor any shortage claim. Glastender will assume responsibility for freight claims on Prepay and Add shipments but the customer must inspect freight and note any damage upon receipt. Failure to do so may result in losses at the customer's expense.

CUSTOM ORDERS:

Custom orders must be paid in advance and are not subject to cancellation.

LAMINATES:

Some products include common, readily available plastic laminates of the customer's selection. There may be an additional charge if uncommon varieties are ordered.

12/14/17

WARRANTY STATEMENT

APPLICABLE TO ALL PRODUCTS SOLD WITHIN THE UNITED STATES AND CANADA

Glastender, Inc. warrants all products to be free of defects in material and workmanship. One-year labor and parts warranty applies to all glasswashers, self-contained refrigeration models, and BDS model bottle disintegration units. In established areas, a start up is included with GT-24 and GT-30 model glasswashers. Warranty is effective for one year from the date of installation or up to 18 months from date of factory shipment, whichever occurs sooner. Glastender, Inc. will replace any part or assembly found defective under normal use and service.

For warranty labor claims beyond 15 months from the date of factory shipment, proof of date of installation or occupancy must be provided. Authorization for labor must be obtained from Glastender within the warranty period and prior to the service being performed.

Labor warranty applies to the United States and Canada only.

Remote refrigeration models and beer line chillers include a one-year parts warranty only. There is no labor warranty on these products.

Field replacement parts not covered under the original warranty include a 90-day part warranty from the date of installation.

FOUR YEAR ADDITIONAL COMPRESSOR WARRANTY: Glastender will warrant to the original user the compressor for all self-contained refrigeration models for an additional four years following the regular one-year warranty period. This plan applies to the compressor only.

A completed warranty claim form **MUST** accompany all returned defective parts or assemblies. Upon request, a defective part or assembly must be returned to Glastender, Inc., Saginaw, Michigan, with all transportation and delivery charges prepaid. Warranty repairs or replacements will be shipped FOB factory in Saginaw, Michigan. Reimbursement for applicable freight charges covers ground service only.

Glastender provides in-warranty repairs during a service company's regular working days and hours. There is no provision for payment of a premium rate during "overtime" hours. When warranty service is requested during other than normal working hours, the end user will be charged the premium portion of the overtime rate.

The warranty covers substantiated travel expenses for up to 2 hours / 100 miles round trip up to a maximum of \$150. Any additional costs due to installations that require extra work, time, or travel to gain access for service are the sole responsibility of the equipment purchaser. Any exceptions to these travel and access limitations must be pre-approved by a factory representative.

The warranty does not cover door gaskets, chemical tubing, pump squeeze tubing, and/or any equipment subjected to accidents, freight damage, alterations from the original design, improper power and/or plumbing hookups, improper chemical use, general misuse, or lack of routine required maintenance as determined by Glastender, Inc. Installation, normal control adjustments, general maintenance, correcting an installation error, or service calls that reveal the unit is functioning normally will not be reimbursed under warranty.

Condenser coils on self-contained refrigeration products must be cleaned regularly. Failure to provide adequate air flow to a refrigeration unit will void the warranty.

Glastender shall not be liable for loss of use, revenue, or profit, or for any other indirect, incidental, special, or consequential damage including, but not limited to, product spoilage or loss.

This warranty is conditioned upon Glastender receiving notice of any defect subject to this warranty within sixty (60) days of its discovery by the end user or dealer. All products are warranted only for the initial place of installation. Removal of a product automatically terminates this warranty.

SECOND YEAR EXTENDED PARTS & LABOR WARRANTY:

Glastender's one-year parts and labor warranty on self-contained refrigeration units, excluding beer line chillers, can be extended to two years with the purchase of a two year parts and labor warranty. Specify part number EWR2 (\$150 net price) when ordering.

EXPORT WARRANTY - One year parts only.

EXCLUSION OF WARRANTIES

EXCEPT AS PROVIDED ABOVE, GLASTENDER MAKES NO WARRANTIES, EXPRESS OR IMPLIED, INCLUDING, BUT NOT LIMITED TO, ANY IMPLIED WARRANTY OF MERCHANTABILITY, FITNESS FOR A PARTICULAR PURPOSE OR NON-INFRINGEMENT.

LIMITATION OF REMEDIES AND DAMAGES

If Buyer makes a valid and timely claim as outlined above, Glastender's liability and Buyer's remedies under this agreement will be limited solely to labor charges authorized and/or replacement or credit, at Glastender's option, with respect to Products returned at Buyer's expense within thirty (30) days after warranty repair. GLASTENDER'S LIABILITY WILL IN NO EVENT BE GREATER IN AMOUNT THAN THE PURCHASE PRICE OF THE RETURNED PRODUCTS. GLASTENDER WILL NOT BE LIABLE UNDER ANY CIRCUMSTANCE FOR CONSEQUENTIAL OR INCIDENTAL DAMAGES, INCLUDING, BUT NOT LIMITED TO, LABOR COSTS EXCEPT AS COVERED UNDER OUR WARRANTY, LOST PROFITS OR THE LOSS OF PERISHABLE PRODUCTS RESULTING FROM THE USE OF OR INABILITY TO USE OUR PRODUCTS OR FROM OUR PRODUCTS' INCORPORATION INTO OR BECOMING A COMPONENT OF ANY OTHER PRODUCT. NEITHER PARTY WILL HAVE ANY NEGLIGENCE OR OTHER TORT LIABILITY TO THE OTHER, OR TO ANY THIRD PARTY, ARISING FROM ANY BREACH OF THIS AGREEMENT.

GOVERNING LAW - JURISDICTION

The terms and conditions of an order are to be governed and construed according to the laws of the State of Michigan, without regard to conflict of laws principles. Buyer hereby consents to the jurisdiction and venue of the courts located in Saginaw County, Michigan.

No representative, distributor, dealer, or any other person is authorized to modify this warranty. This warranty replaces all other written or verbal warranties.

NOTE: Glastender, Inc.'s policy of constant quality improvement means that prices, specifications, and policies are subject to change without notice. Questions regarding this warranty should be directed to Glastender's Warranty Administrator.

04-19-17

IMPORTANT!!

Attention Service Companies

Please review the important warranty information on this page. If you believe a service call should be covered by the factory, please call the factory for authorization between 8AM and 5PM EST, Monday through Friday.

INSTALLATION

INTRODUCTION

This manual describes the operational features of Mug Froster/Plate Chiller models MF24, MF36, and MF48. Please review this information before attempting installation and operation.

Long term, trouble-free service will follow if good housekeeping and maintenance procedures are followed. Thank you for selecting Glastender, Inc. products.

UTILITY REQUIREMENTS AND CONNECTIONS

- **Electrical:** 120 Volt AC, 1 Phase, 60 Hz, 6.1 Full Load Amps. A separate 15 Amp circuit is recommended. A 6-foot grounded cord is included.
- **Plumbing:** None required. Automatic condensate evaporator is included.

UNCRATING AND START-UP INSTRUCTIONS

All Mug Frosters and Plate Chiller models are shipped in one carton. These steps should be followed:

1. If legs or casters are included, bolt them to the base with the bolts provided.
2. Unwrap power cord from base.
3. Position Mug Froster/Plate Chiller and level and/or seal as required (see page 2).
4. Install shelves.
5. Plug into 120 volt AC outlet.
6. Load with mugs, glasses, plates, etc.
7. Your Glastender Mug Froster/Plate Chiller is now ready for use.

SEALING MUG FROSTER AND PLATE CHILLER BASE TO FLOOR

To comply with NSF & health codes. The Mug Froster base must be sealed to the floor using NSF listed sealant. Place a bead of sealant along outer edges of the base and remove excess with disposable towel.



OPERATION AND CLEANING

OPERATION

The Mug Froster/Plate Chiller is designed to chill mugs, glasses, plates, etc. that will appear “frosted” when removed. The operating temperature range of 0°F (-18°C) to 35°F (2°C).

The Mug Froster/Plate Chiller should be filled with *dry*, room-temperature mugs, glasses, plates, etc. to allow maximum chilling. During business hours, the Mug Froster/Plate Chiller can be loaded with additional dry, room-temperature mugs, glasses, plates, etc. Allow 30 minutes for chilling.

Defrost instruction for Mug Frosters manufactured prior to 03-03-2014 with SN prior to 404149308:

- The Mug Froster/Plate Chiller includes an *automatic defrost* system. Defrosting will occur every six hours for approximately 20 minutes. During the defrost cycle, the fan inside the Mug Froster/Plate Chiller will turn off and a small amount of mist may appear if the top is opened.
- There is also a *manual defrost* system controlled by a switch located on the front left bottom of the Mug Froster/Plate Chiller. This is used when there is ice or snow accumulation inside. An end-of-the-day or weekly schedule can be established for the activation of this manual defrost cycle.
- When the manual defrost switch is pushed, a light will turn on and the Mug Froster/Plate Chiller will go into a six-hour defrost. After six hours, the Mug Froster/Plate Chiller will resume normal operation.
- If the manual defrost switch is accidentally pushed, the defrost cycle can be terminated by unplugging the power cord for three seconds.

Defrost instruction for Mug Frosters manufactured on and after 03-03-2014 with SN 404149308 and after:

Mug Froster Elan Digital Control Operations

Control Display

- Normal Operation- Actual box temperature is displayed and the Power LED is illuminated. The compressor LED will be illuminated when the compressor is running.
- Defrost Operation- During normal defrost operation, the Setpoint temperature will be displayed and the Defrost LED will be illuminated. During the Manual 6 hour defrost operation, the 6hr LED and the Defrost LED will be illuminated. The display will show the time remaining in the 6 hour cycle.

Temp Adjustment

- Setpoint Min. 0 deg F
 - Setpoint Max 35 deg F
 - Setpoint Default 10 deg F
 - Differential +8 deg F
- Changing Setpoint- Press the up or down arrow key to raise or lower the setpoint in 1 degree increments.
 - Temp Recall- To recall the temperature set point, press the RCL key one time. The display will show Set for 3 seconds then the setpoint temp for 3 Seconds. The control then returns to actual box temp.

OPERATION AND CLEANING

Defrost Operation

- Adaptive Defrost Operation- The control is equipped with an adaptive defrost function which adjusts the interval between defrost cycles to reach the ideal defrost duration.
- Manual Defrost Initiation- Press the DEF key two times
- Manual 6 hour Defrost- Press the DEF Key one time, release, then hold for three seconds
- Defrost Cancellation- To cancel an active defrost cycle, press the DEF key one time. The display will show CnCL for 3 seconds then revert to normal operation. The control will only allow 2 defrost cancellations in a row.

Error Codes

- Er01- Air Temp Sensor open or short
- Er02- Evap Temp Sensor Open or Short
- Er03- Failure to reach setpoint temp after 60 min. Control will continue to run until temp is reached
- Er04- Display Key is shorted or stuck down
- Er05- Internal software or checksum error

CLEANING INSTRUCTIONS

Cleaning is essential to sustaining the integrity of your equipment and preventing corrosion.

ESTIMATED CLEANING TIME: 5 to 10 minutes per unit daily, 30 minutes quarterly

FREQUENCY: Daily cleaning of exterior & door gaskets. Quarterly cleaning of interior, including shelves.

PROCEDURE:

1. A non-chlorine based cleaner or mild detergent and warm water applied with a soft cloth or sponge to all contact surfaces.
2. Immediately rinse off cleaning agent(s), using clean warm water, clean soft cloth or sponge.
3. Dry with a soft clean cloth, removing standing water as soon as possible.

NOTES:

1. Never use hydrochloric acid, wire brushes, steel wool, scrapers, or chlorine based cleaners on stainless steel surfaces, since they will break down the passivity layer and allow corrosion to occur.
2. On stainless steel surfaces, you may use a soft bristle brush or Scotch-Brite[®] pad for more stubborn stains. Always scrub with the direction of the grain. Follow with a thorough cleaning as described above.
3. Deposits from food preparation must be properly removed. Even hard water deposits will rust stainless steel, if not removed.
4. Repeated cleaning may dry up black-vinyl-clad steel (exterior) surfaces of the cooler. Armor All[®] or similar product can bring back the shine. Apply the product to a cloth and then rub into the surface, rather than spraying it directly onto the black-vinyl-clad surface.
5. The cooler door gaskets are most often overlooked when cleaning. Failure to clean them regularly will lead to premature failure, since alcohol and moisture build-up breaks down the gasket material.
6. **Mug Frosters manufactured prior to 03-03-2014 with SN prior to 404149308:** Mug frosters have a manual defrost timer switch on the front near the bottom, which will activate a 6-hour defrost cycle. Depressing the switch before you close for the evening will remove excess frost build-up on the interior liner. This procedure should be done as often as is necessary. It should also be done the night before the quarterly interior cleaning.

Mug Frosters manufactured on and after 03-03-2014 with SN 404149308 and after - Elan Digital Control: See Defrost Operation instruction at the top of this page.

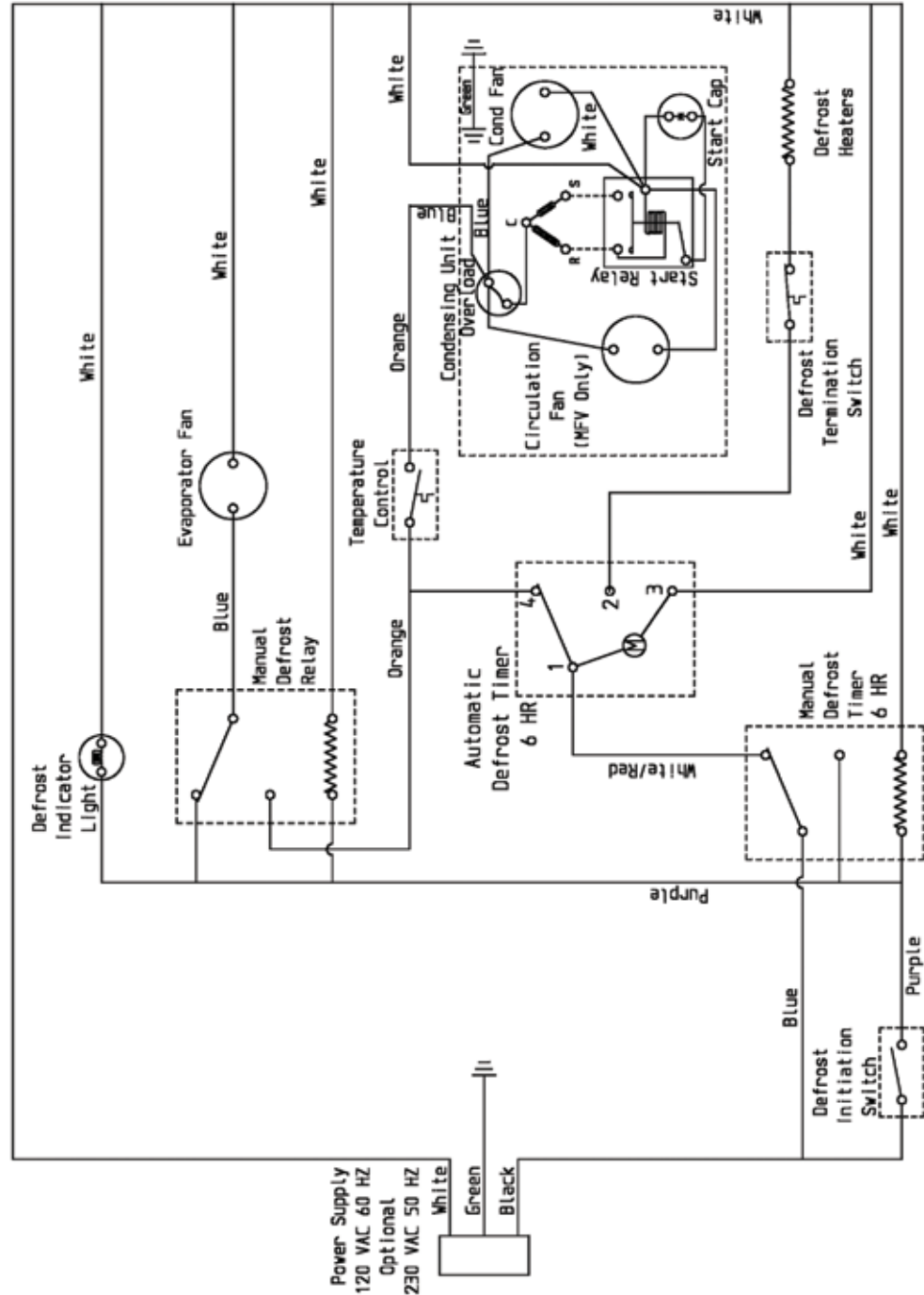
ELECTRICAL

ELECTRICAL AND REFRIGERATION SPECIFICATIONS

MODEL (L-to-R LENGTH)	ELECTRICAL	REFRIGERANT		DESIGN PRESSURE	
		TYPE	CHARGE	HIGH	LOW
24", 36", 48"	120V, 1Ph., 60 Hz., 6.1 Amp	R404A	12oz.	500	175

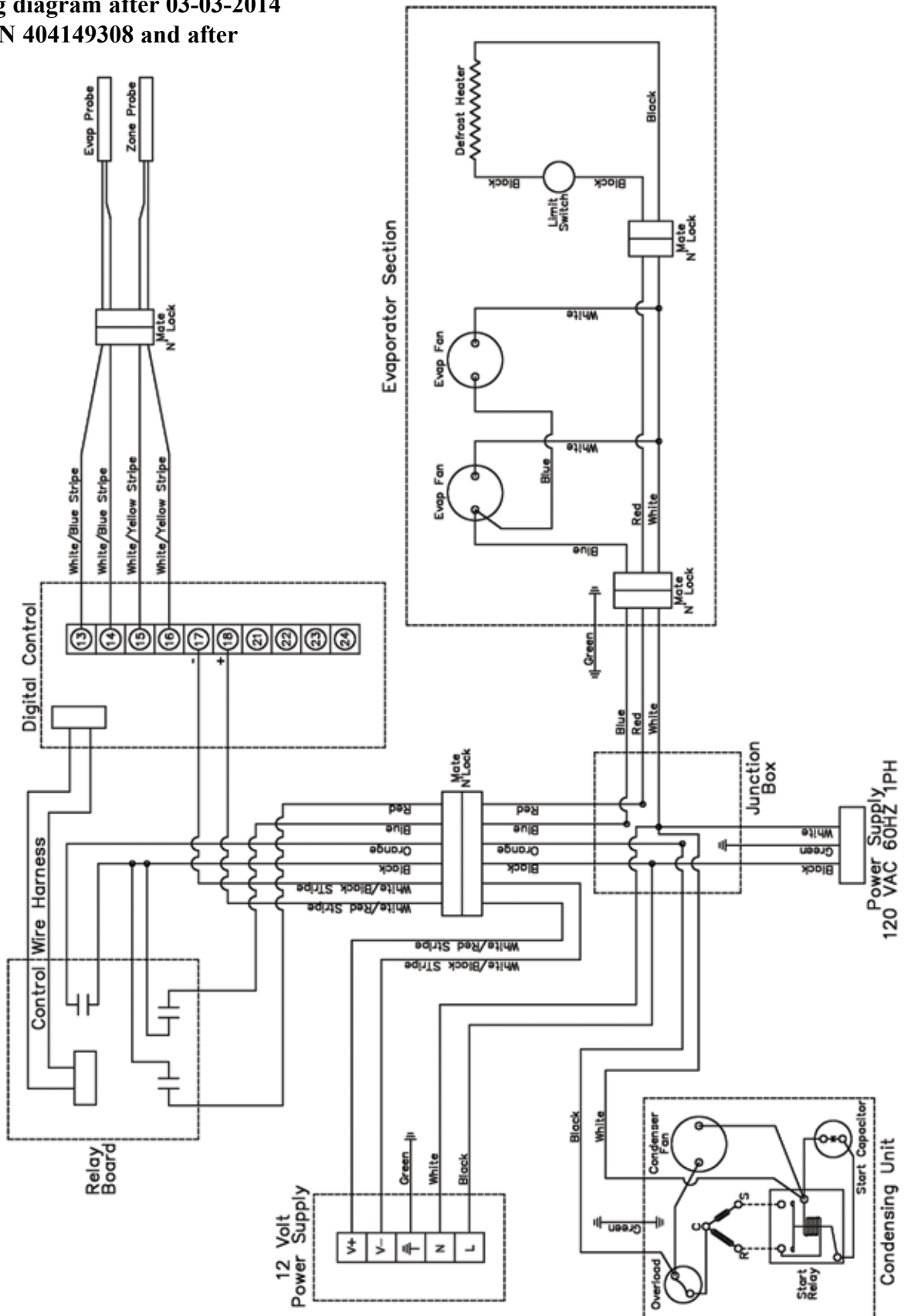
WIRING DIAGRAM PRIOR TO 03-03-2014

Wiring diagram prior to 03-03-2014 and SN prior to 404149308

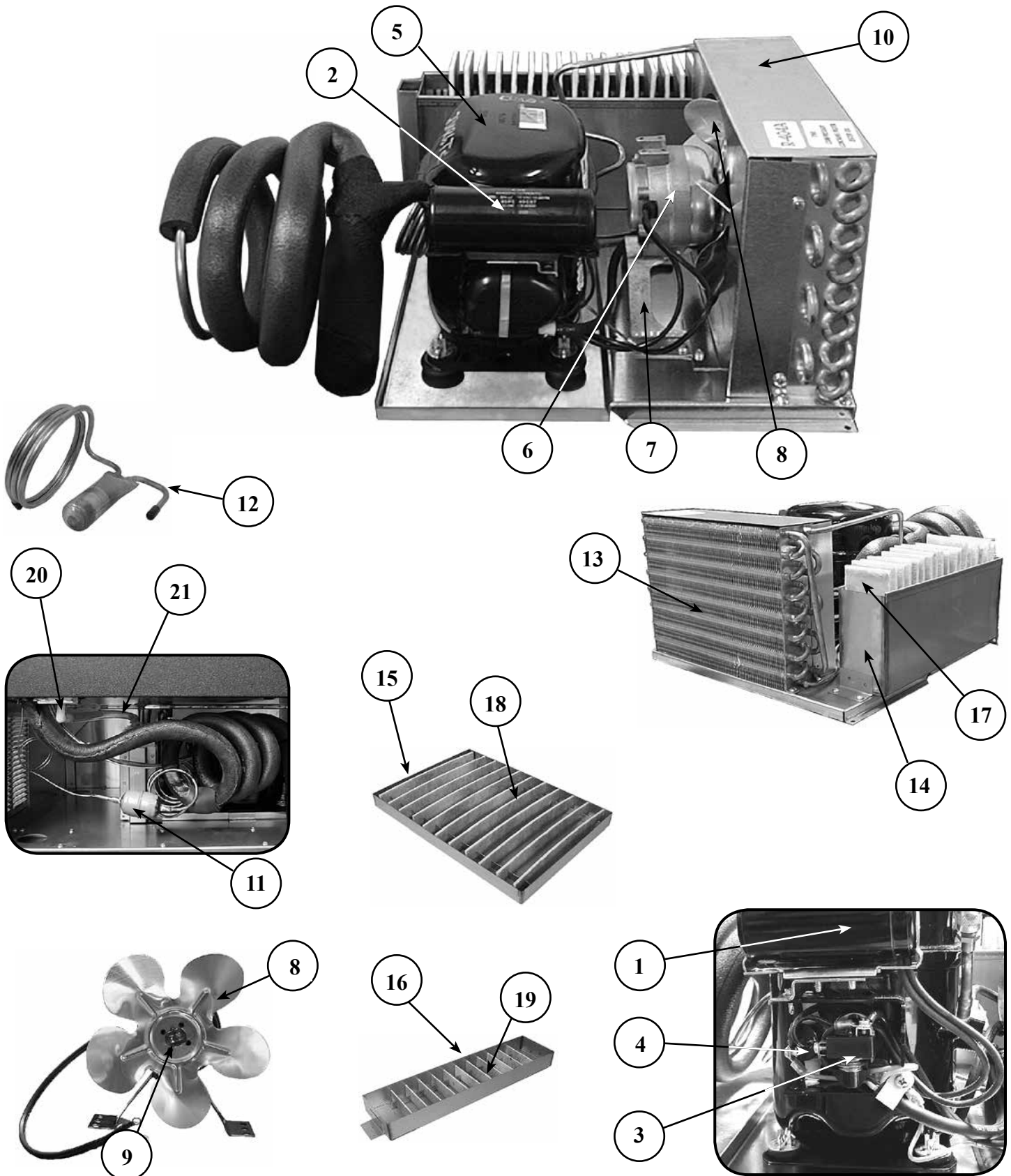


WIRING DIAGRAM AFTER 03-03-2014

Wiring diagram after 03-03-2014
with SN 404149308 and after



COMPRESSOR AND CONDENSER RELATED PARTS



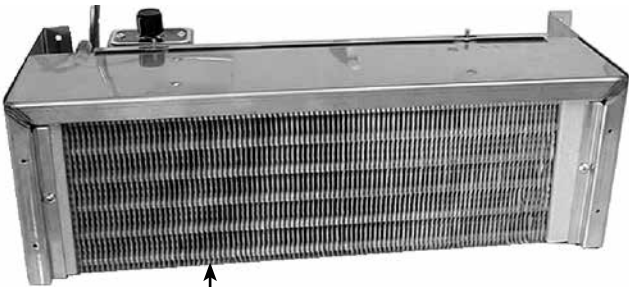
COMPRESSOR AND CONDENSER RELATED PARTS

<u>PART NO.</u>	<u>DESCRIPTION</u>	<u>PRICE</u>
06007601	Condensing unit, complete, 1/3HP R404A Tecumseh	\$980.00
1. 07000151	Start capacitor for 1/3HP R404A Aspera compressor (prior to 01/01/2000)	25.00
2. 07001380	Start capacitor for 1/3HP R404A Tecumseh compressor (after 01/01/2000 and prior to 02/25/2014 SN 404149153)	20.00
07000843	Start capacitor for 1/3HP R404A Tecumseh compressor (after 02/25/2014 SN 404149153)	25.00
3. 06001675	Relay for 1/3HP R404A compressor (prior to 01/01/2000)	15.00
07000168	Relay for 1/3HP R404A Tecumseh compressor (after 01/01/2000 and prior to 02/25/2014 SN 404149153)	32.25
07000842	Relay for 1/3HP R404A Tecumseh compressor (after 02/25/2014 SN 404149153)	15.00
4. 07000127	Overload protector for R404A Aspera compressor (prior to 01/01/2000)	15.00
07000128	Overload protector for 1/3HP R404A Tecumseh compressor (after 01/01/2000 and prior to 02/25/2014 SN 404149153)	12.00
07000841	Overload protector for 1/3HP R404A Tecumseh compressor (after 02/25/2014 SN 404149153)	15.00
5. 07000280	Compressor replacement kit 1/3HP Tecumseh R404A (prior to 2/25/2014 SN 404149153)	400.00
07000175	Compressor 1/3HP Tecumseh, R404A (after 02/25/2014 SN 404149153)	375.00
6. 06001449	Condenser fan motor	100.00
7. 06001321	Bracket, condenser fan motor	5.00
8. 07000155	Condenser fan blade, 5 blade	12.00
9. 07000179	Nut, fan blade mounting	1.00
10. 07000152	Fan shroud, condenser	15.00
11. 06001385	Filter dryer, 1/4" x 1/4"	20.00
12. 07000953	Accumulator, suction line	30.00
13. 08000078	Condenser coil	145.00
14. 07000230	Condensate pan, MF24, MF36, MF48 (after 1998)	70.00
15. 07000260	Condensate pan, MF36, MF48 (prior to 1998)	65.00
16. 08000125	Condensate pan, MF24 (prior to 1998)	60.00
17. 07000237	Wicking material, 14-2.5"x6" pieces, MF24, MF36, MF48 (after 1998)	34.00
18. 07000234	Wicking material, 11-2.5"x9" pieces, MF36, MF48 (prior to 1998)	24.00
19. 07000235	Wicking material, 11-2.5"x4" pieces, MF24 (prior to 1998)	14.00
20. 06001461	Elbow, 1/2"x1/2" plastic barb	2.00
06001313	Condensing unit power cord (prior to 02/25/2014 SN 404149153)	20.00
07000724	Capillary tube, 0.049x64" (prior to 01/01/2000)	20.00
06001346	Capillary tube, 0.036x35" (after 2009)	20.00
21. 06001345	Tubing, drain, clear plastic, 1/2" ID x 5/8" OD, per foot	1.45

EVAPORATOR AND RELATED PARTS

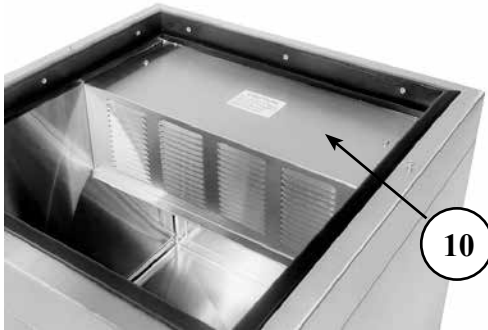
<u>PART NO.</u>	<u>DESCRIPTION</u>	<u>PRICE</u>
1. 07000310	Bracket, evaporator fan motor (prior to 03/03/2014 SN 404149308)	\$14.00
07000823	Bracket, evaporator fan motor (after 03/03/2014 SN 404149308)	14.00
2. 07000134	Temperature control mounting bracket (prior to SN 404104830)	10.00
3. 07000153	Evaporator fan box back (prior to SN 404104830)	24.00
07000362	Cover, evaporator back (after SN404104830)	24.00
07000822	Cover, evaporator back (after 03/03/2014 SN 404149308)	24.00
4. 07000380	Evaporator coil replacement kit	180.00
5. 09000298	Fan blade, evaporator, 5 blade	5.00
6. 07000621	Thermostat, includes knob, plate, and tubing (prior to 03/03/2014 SN 404149308)	70.00
7. 07000165	Defrost sensor	35.00
8. 07000169	Defrost heater	60.00
9. 06001445	Fan motor, evaporator	45.00
10. 07000182	Cover, front, evaporator, MF24, MF36 (prior to SN 404104830)	54.00
07000184	Cover, front, evaporator, MF48 (prior to SN 404104830)	54.00
07000364	Cover, front, evaporator, MF24, MF36, MF48 (prior to 03/03/2014 SN 404149308)	54.00
07000830	Cover, front, evaporator, MF24, MF36, MF48 (after 03/03/2014 SN 404149308)	54.00
07000183	Cover, bottom, evaporator, MF24, MF36 (prior to SN 404104830N)	42.00
07000360	Cover, bottom, evaporator, MF24, MF36 (SN 404104830N and after)	42.00
07000185	Cover, bottom, evaporator, MF48 (prior to SN 404104830N)	42.00
07000361	Cover, bottom, evaporator, MF48 (SN 404104830N and after)	42.00
11. 07000228	Evaporator housing (prior to SN 404104830)	60.00
07000365	Drain pan, evaporator MF24, MF36 (after SN 404104830)	60.00
07000366	Drain pan, evaporator MF48 (after SN 404104830)	60.00
12. 06001573	10-32"x1/2" thumbscrew (4 required)	1.00

EVAPORATOR AND RELATED PARTS

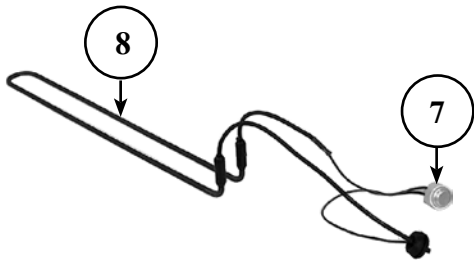


4

6



10

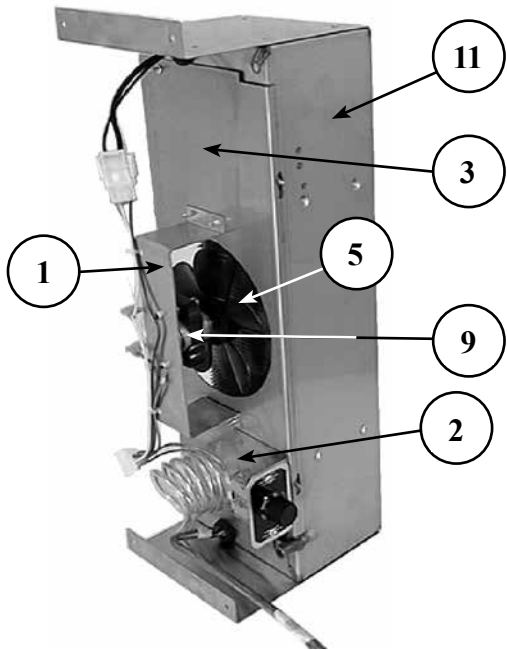


8

7



12



11

3

5

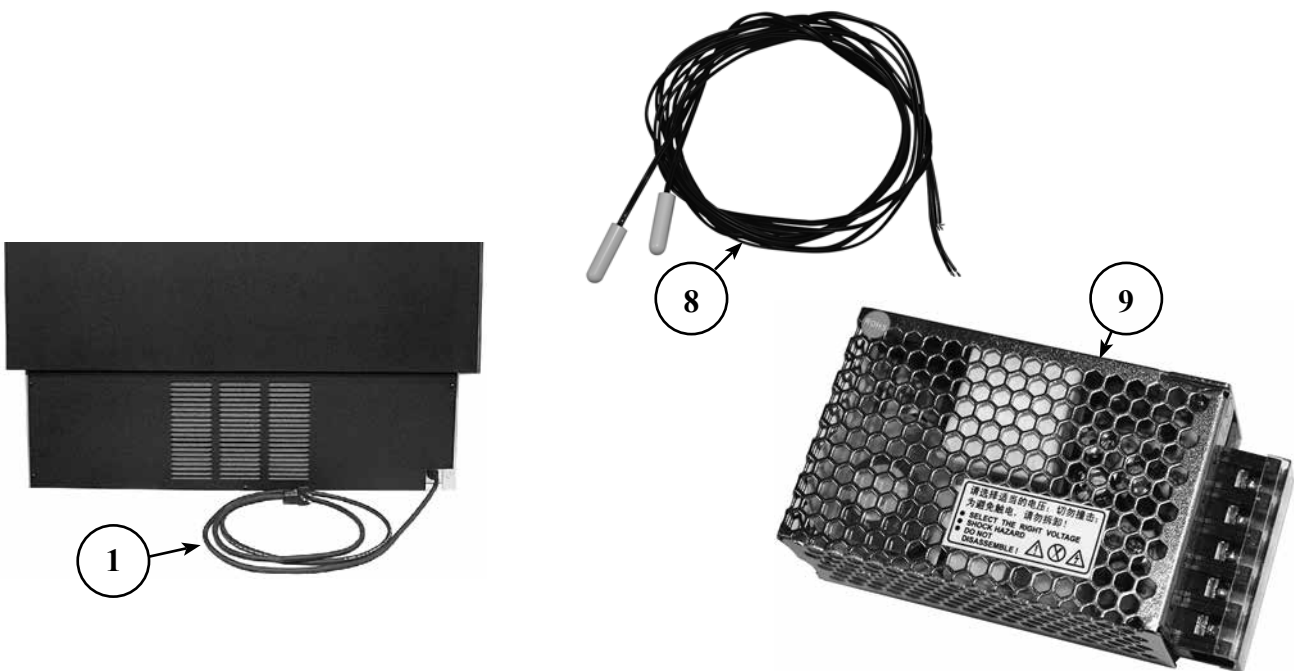
9

2

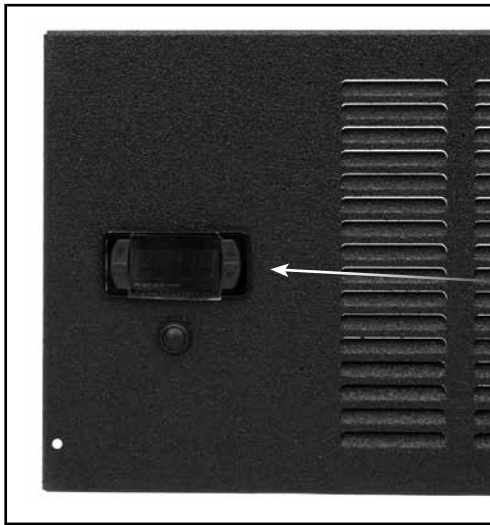
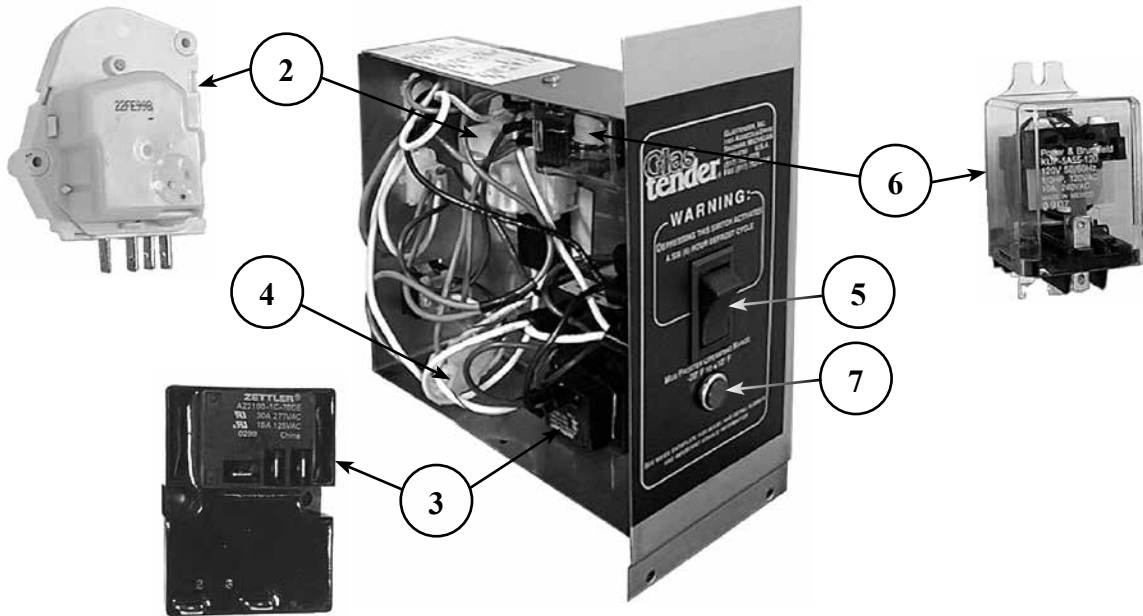
1

ELECTRICAL COMPONENTS

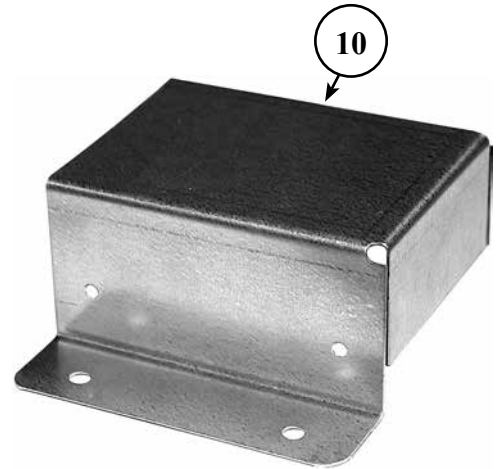
<u>PART NO.</u>	<u>DESCRIPTION</u>	<u>PRICE</u>
1. 06009527	Power cord, exterior, 132" long	\$35.00
07000599	Replacement power cord assembly (prior to 03/03/2014 SN 404149308)	40.00
2. 06001397	Automatic defrost timer (prior to 03/03/2014 SN 404149308)	32.00
3. 07000156	Manual defrost timer - 6 hr. (prior to 03/03/2014 SN 404149308)	90.00
4. 06001409	Receptacle, compressor (prior to 03/03/2014 SN 404149308)	5.00
5. 07000257	Manual defrost switch (prior to 03/03/2014 SN 404149308)	20.00
6. 07000166	Evaporator fan relay (prior to 03/03/2014 SN 404149308)	65.00
7. 07000171	Manual defrost light, red, 125V (prior to 03/03/2014 SN 404149308)	10.00
8. 07000818	Probe for digital controller (after 03/03/2014 SN 404149308)	11.00
9. 07000831	Power supply, 12 VDC (after 03/03/2014 SN 404149308)	90.00
10. 07000839	Bracket, 12V power supply	8.00
07000657	MF24 Full Gauge control replacement assembly, black vinyl (includes Full Gauge control and new grill)	500.00
07000658	MF24 Full Gauge control replacement assembly, stainless steel (includes Full Gauge control and new grill)	500.00
07000659	MF36 Full Gauge control replacement assembly, black vinyl (includes Full Gauge control and new grill)	500.00
07000660	MF36 Full Gauge control replacement assembly, stainless steel (includes Full Gauge control and new grill)	500.00
11. 07000661	MF48 Full Gauge control replacement assembly, black vinyl (includes Full Gauge control and new grill)	500.00
07000662	MF48 Full Gauge control replacement assembly, stainless steel (includes Full Gauge control and new grill)	500.00



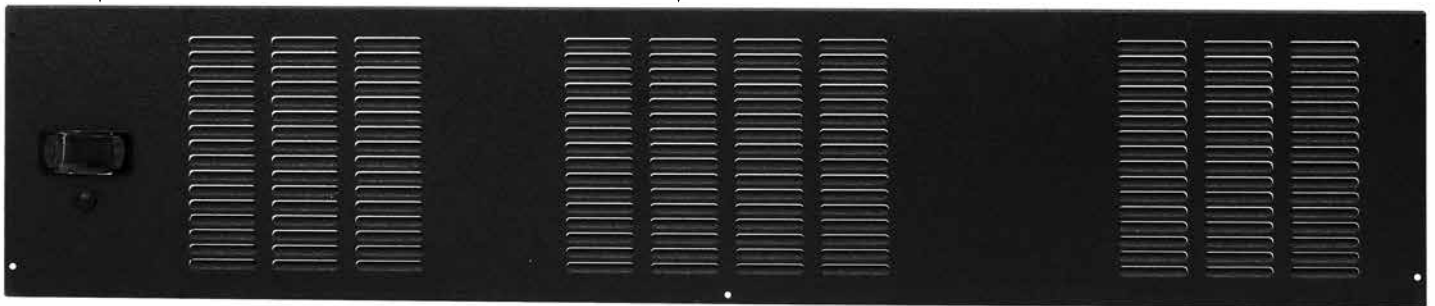
ELECTRICAL COMPONENTS



Close-up view of Full Gauge control in black vinyl grill assembly

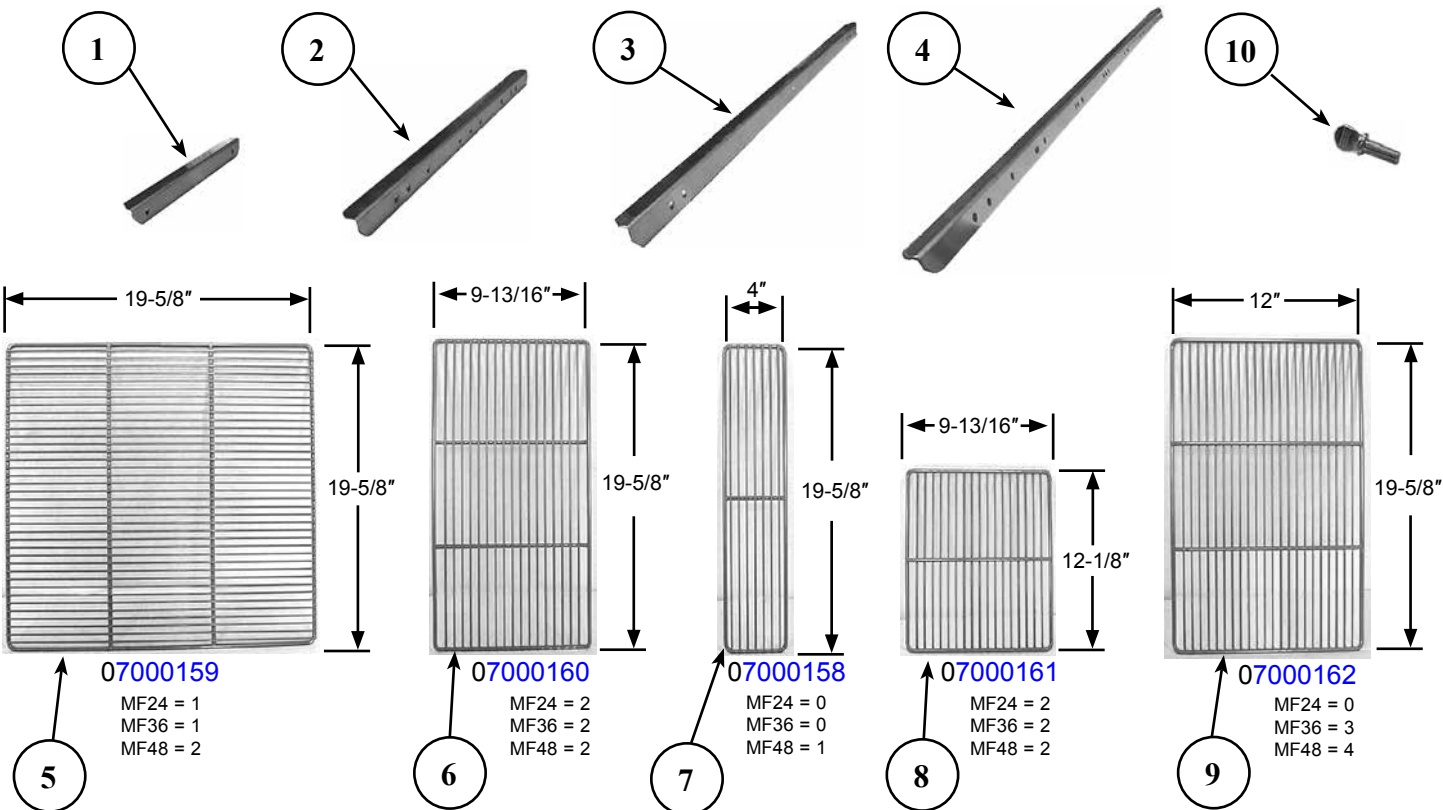


11 Full Gauge control assembly. Includes Full Gauge control and front grill. Part #07000661 shown. For front grill only, see page 16.



SHELVING AND RELATED PARTS

PART NO.	DESCRIPTION	PRICE
1. 0700030	10" shelf bracket (MF36 = 1) (MF48 = 2 prior to SN 404104830N)	\$6.00
2. 0700029	20" shelf bracket (MF24 = 3)	12.00
07000371	24" shelf bracket (MF48 = 1 SN 404104830N and after)	14.00
3. 07000135	32" shelf bracket (MF36 = 3)	15.00
4. 07000136	44" shelf bracket (MF48 = 3)	18.00
5. 07000159	Shelf, 19-5/8" x 19-5/8" [MF24 = 1 (bottom) MF36 = 1 (bottom) MF48 = 2 (bottom)]	50.00
6. 07000160	Shelf, 9-13/16" x 19-5/8" [MF24 = 2 (middle) MF36 = 2 (middle) MF48 = 2 (middle)]	35.00
7. 07000158	Shelf, 4" x 19-5/8" [MF48 = 1 (bottom)]	35.00
8. 07000161	Shelf, 9-13/16" x 12-1/8" [MF24 = 2 (top) MF36 = 2 (top) MF48 = 2 (top)]	30.00
9. 07000162	Shelf, 12" x 19-5/8" [MF36 = 3 (bottom, middle, top) MF48 = 4 (middle, top)]	40.00
10. 06001573	10/32" x 1/2" thumbscrew	1.00
COMPLETE SHELF KITS		
07000223	Complete shelf kit for MF24 (includes: 1 - 07000159, 2 - 07000160, 2 - 07000161)	180.00
07000224	Complete shelf kit for MF36 (includes: 1 - 07000159, 2 - 07000160, 2 - 07000161, 3 - 07000162)	300.00
07000225	Complete shelf kit for MF48 (includes: 2 - 07000159, 2 - 07000160, 1 - 07000158, 2 - 07000161, 4 - 07000162)	425.00



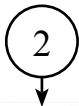
DOORS, TOPS, AND RELATED PARTS

<u>PART NO.</u>	<u>DESCRIPTION</u>	<u>PRICE</u>
07000129	Gasket, wiper, 24" top, 21-1/2" long	\$10.00
1. 07000130	Gasket, wiper, 36" top, 33-1/2" long	14.00
07000212	Sliding door, 21", MF24 (for permanent breaker strip models, 1993 only)	120.00
07000213	Sliding door, 20-3/16", MF 24	126.00
07000261	Sliding door, 33", MF36 (for permanent breaker strip models, 1993 only)	180.00
2. 07000214	Sliding door, 32-3/16", MF36	192.00
07000231	Top, MF24	126.00
3. 07000232	Top, MF36	192.00
07000233	Top, MF48	252.00
07000238	Breaker strip, 24" and 48" sliding door opening, 4 pieces	25.00
4. 07000239	Breaker strip, 36" sliding door opening, 4 pieces	35.00

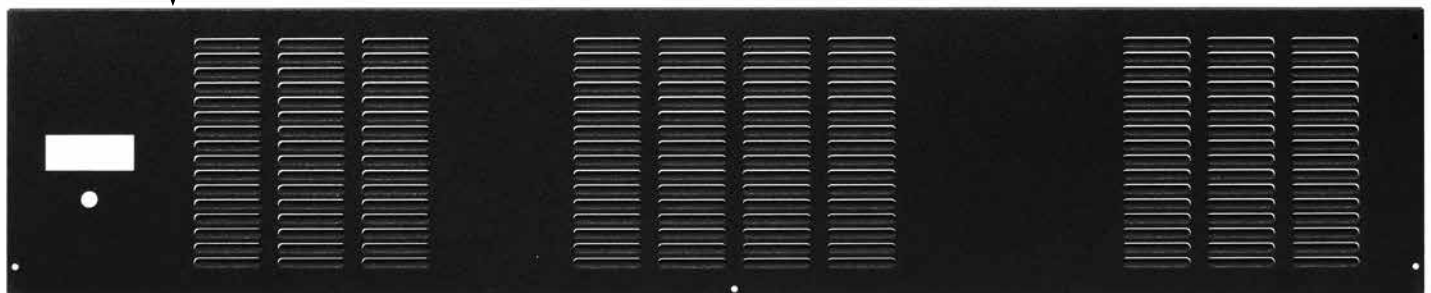


REFRIGERATION COMPARTMENT COVERS

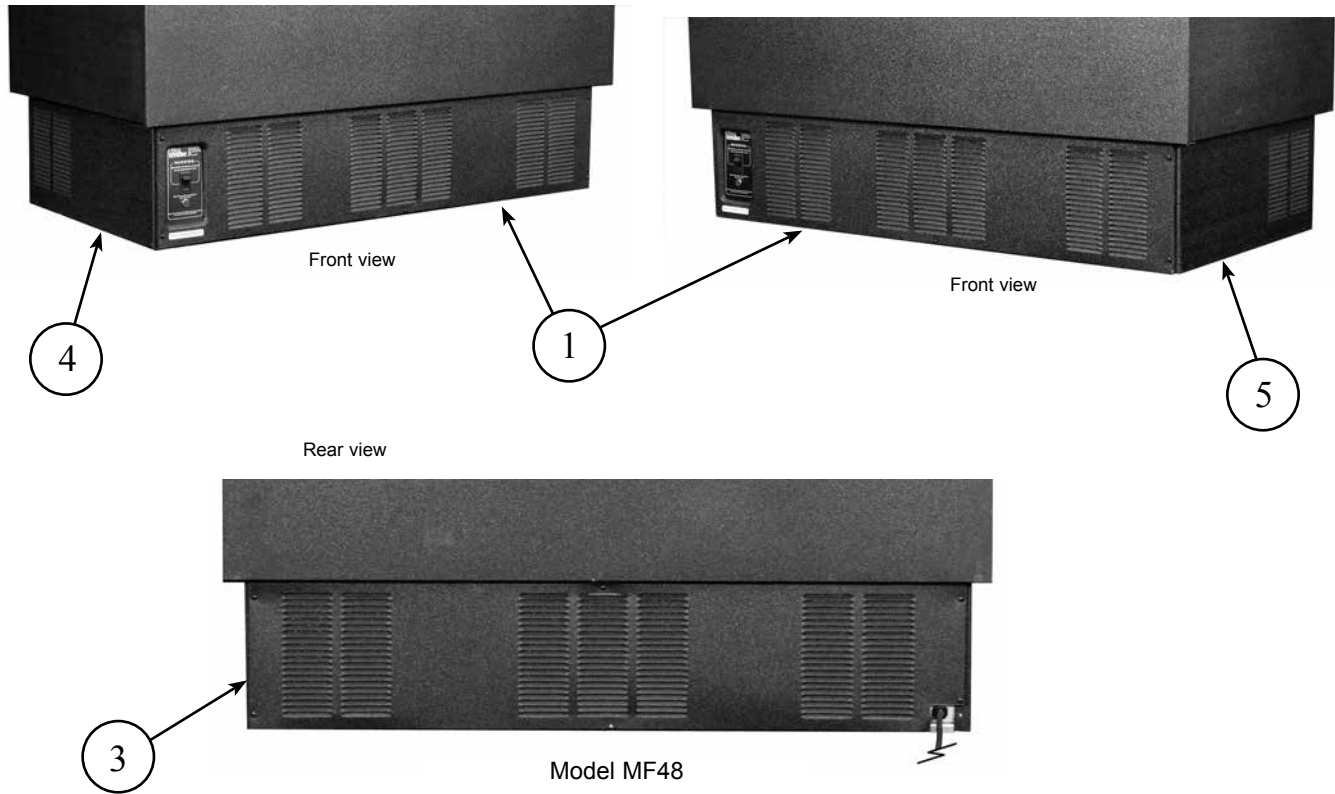
<u>PART NO.</u>	<u>DESCRIPTION</u>	<u>PRICE</u>
07000186	Front, black vinyl-clad, MF24 (prior to 03/03/2014 SN 404149308)	\$33.00
07000187	Front, stainless steel, MF24 (prior to 03/03/2014 SN 404149308)	48.00
07000188	Front, black vinyl-clad, MF36 (prior to 03/03/2014 SN 404149308)	44.00
07000189	Front, stainless steel, MF36 (prior to 03/03/2014 SN 404149308)	72.00
1. 07000190	Front, black vinyl-clad, MF48 (prior to 03/03/2014 SN 404149308)	55.00
07000191	Front, stainless steel, MF48 (prior to 03/03/2014 SN 404149308)	96.00
07000824	Front, black vinyl-clad, MF24 digital controller (after 03/03/2014 SN 404149308)	33.00
07000825	Front, stainless steel, MF24 digital controller (after 03/03/2014 SN 404149308)	48.00
07000826	Front, black vinyl-clad, MF36 digital controller (after 03/03/2014 SN 404149308)	44.00
07000827	Front, stainless steel, MF36 digital controller (after 03/03/2014 SN 404149308)	72.00
07000828	Front, black vinyl-clad, MF48 digital controller (after 03/03/2014 SN 404149308)	55.00
07000829	Front, stainless steel, MF48 digital controller (after 03/03/2014 SN 404149308)	96.00
07000651	Front grill, MF24, fits Full Gauge control (not included), black vinyl	55.00
07000652	Front grill, MF24, fits Full Gauge control (not included), stainless steel	55.00
07000653	Front grill, MF36, fits Full Gauge control (not included), black vinyl	55.00
07000654	Front grill, MF36, fits Full Gauge control (not included), stainless steel	55.00
2. 07000655	Front grill, MF48, fits Full Gauge control (not included), black vinyl	55.00
07000656	Front grill, MF48, fits Full Gauge control (not included), stainless steel	55.00
07000773	Back, black vinyl-clad, MF24	50.00
07000774	Back, stainless steel, MF24	80.00
07000775	Back, black vinyl-clad, MF36	60.00
07000776	Back, stainless steel, MF36	100.00
3. 07000777	Back, black vinyl-clad, MF48	50.00
07000778	Back, stainless steel, MF48	96.00
4. 07000779	Side, left, black vinyl-clad, all models	50.00
07000780	Side, left, stainless steel, all models	80.00
5. 07000781	Side, right, black vinyl-clad, all models	50.00
07000782	Side, right, stainless steel, all models	80.00



Front grill with cutout for **Full Gauge control**. Full Gauge control not included. Part #07000655 shown. For Full Gauge control assembly (includes Full Gauge control and front grill), see page 13.



REFRIGERATION COMPARTMENT COVERS



220 VOLT ELECTRICAL PARTS

<u>PART NO.</u>	<u>DESCRIPTION</u>	<u>PRICE</u>
07000281	Compressor, 1/3 HP, 220/50Hz, R404A	\$750.00
06001793	Start capacitor, for 1/3 HP R404A and R22 compressor, 220/50Hz	25.00
06001794	Relay, compressor, 1/3 HP, 220V/50Hz, R404A	10.00
06001795	Overload for 1/3 HP R404A compressor, 220/50Hz	15.00
06001451	Motor, condenser fan, 9 watt, 220V 50/60Hz	120.00
06001448	Motor, evaporator fan, 220V	57.00
07000170	Defrost heater, 220V	115.00
06001398	Defrost timer, automatic, 220V, 50 cycle (prior to 03/03/2014 SN 404149308)	43.00
07000157	Defrost timer, manual, 220V, 50 cycle, 6 hour(prior to 03/03/2014 SN 404149308)	140.00
14000086	Light, red, 220V (prior to 03/03/2014 SN 404149308)	12.00
07000167	Relay, evaporator fan, 220V (prior to 03/03/2014 SN 404149308)	72.50