

LEGEND

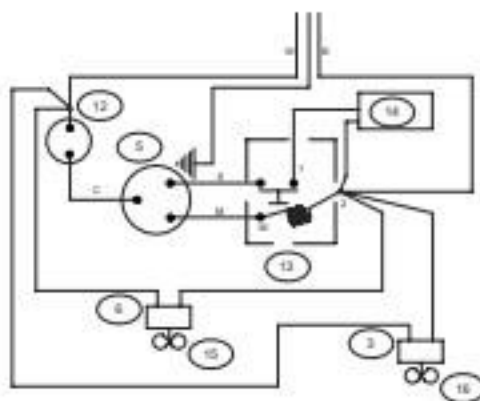
B = Black
 BL = Blue
 BR = Brown
 O = Orange
 R = Red
 P = Purple
 W = White
 WR = White W/ Red

ELECTRICAL RATINGS

115V, Single Phase, 60Hz, 3 wire.
 All wires are 16 Gauge

Compressor	5.90 AMP
Condensing Unit Fan Motor	.49 AMP
Evaporator Fan Motor	.28 AMP
TOTAL AMPS	6.67

COMPRESSOR WIRING



ITEM	DESCRIPTION	PART #
1	6 HR. MANUAL DEFROST LIGHT	07000171
2	EVAPORATOR FAN RELAY	07000168
3	EVAPORATOR FAN	06001445
4	THERMOSTAT	07000621
5	COMPRESSOR, TECUMSEH	07000175
6	CONDENSER FAN MOTOR	06001449
7	AUTOMATIC DEFROST	06001397
8	DEFROST THERMOSTAT	07000165
9	DEFROST HEATER	07000169
10	MANUAL DEFROST SWITCH	07000257
11	6 HR. MANUAL DEFROST	07000156
12	OVERLOAD	07000128
13	START RELAY	07000168
14	CAPACITOR	06001380
15	CONDENSER FAN BLADE	07000155
16	EVAPORATOR FAN BLADE	09000298