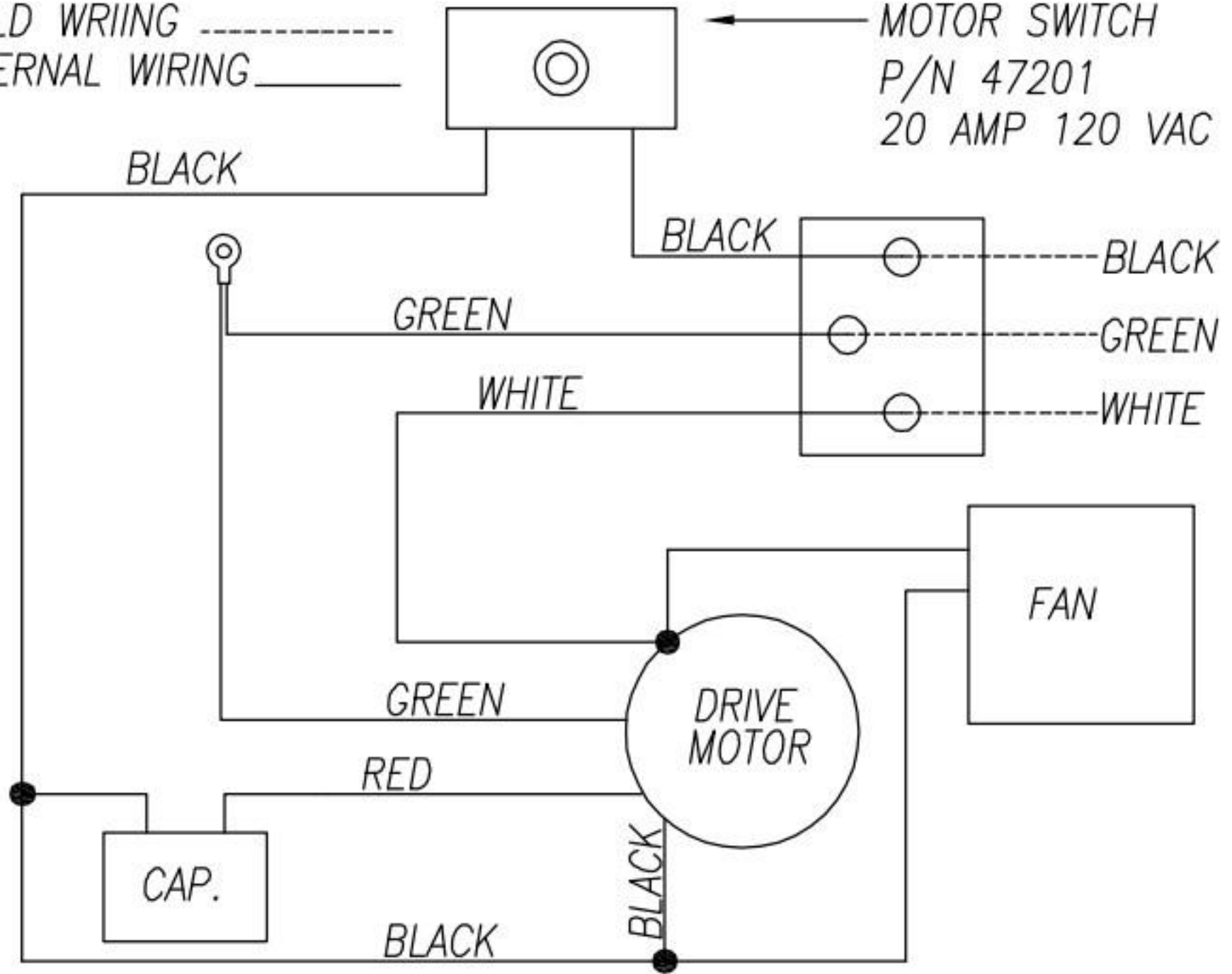


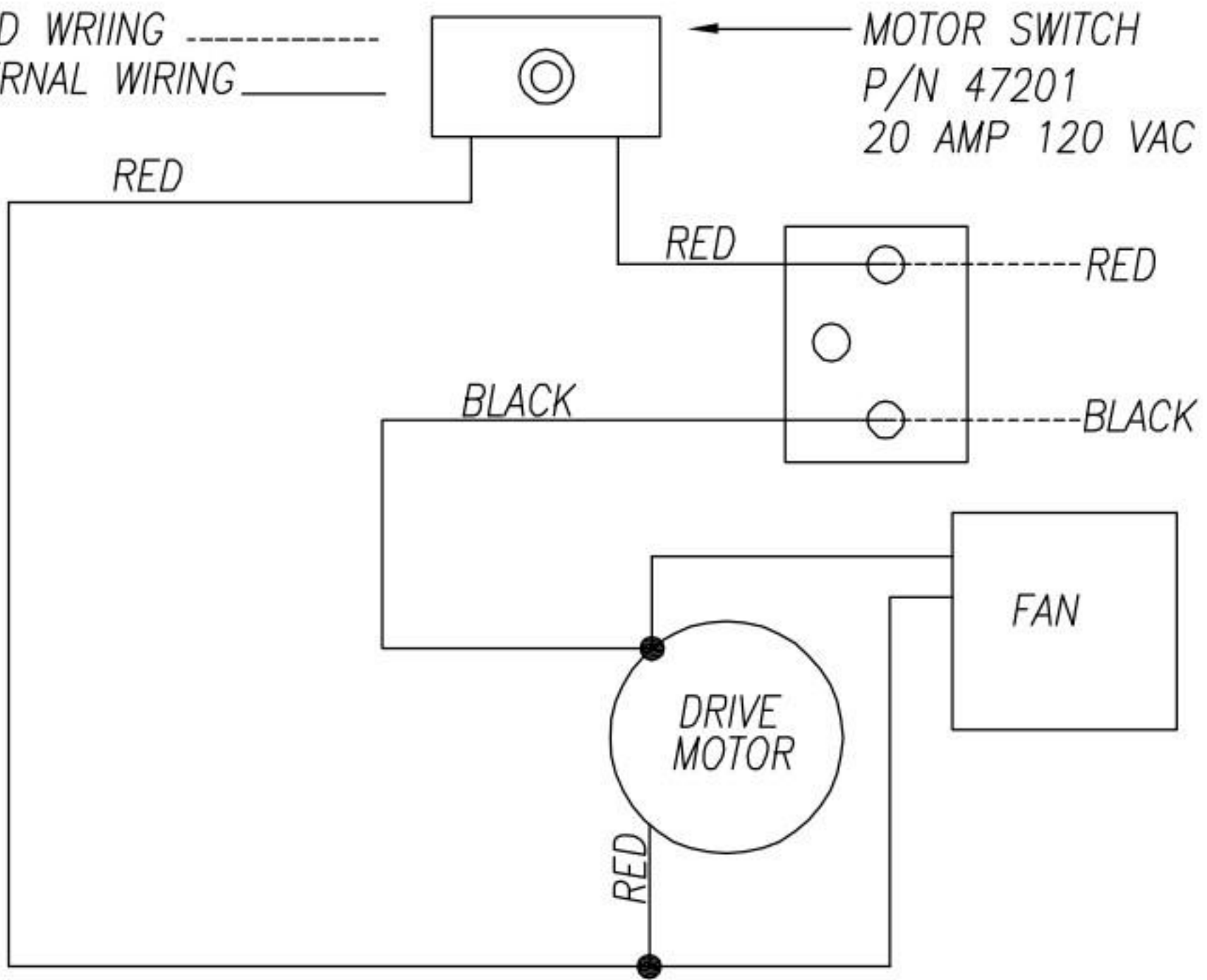
FIELD WIRING -----
INTERNAL WIRING _____

MOTOR SWITCH
P/N 47201
20 AMP 120 VAC



LABELED APPLIANCE WIRE 105° C No. 18 AWG

FIELD WIRING -----
INTERNAL WIRING _____



LABELED APPLIANCE WIRE 105° C No. 18 AWG