

# DELUXE CITATION

## Instruction Manual



Domestic Series 2102 and 2102E  
Export Series 2102EX and 2102XE







 **GOLD MEDAL**<sup>®</sup>  
FUNFOOD EQUIPMENT & SUPPLIES



Cincinnati, OH 45241-4807 USA

# SAFETY PRECAUTIONS

	 <b>DANGER</b>
	<p>Machine must be properly grounded to prevent electrical shock to personnel. Failure to do so could result in serious injury, or death.                  DO NOT immerse any part of this equipment in water.                  DO NOT use excessive water when cleaning.                  Keep cord and plug off the ground and away from moisture.                  Always unplug the equipment before cleaning or servicing.                  Make sure all machine switches are in the OFF position before plugging the equipment into the receptacle.</p> <p style="text-align: right; font-size: small;">008_051514</p>

	 <b>DANGER</b>
	<p>Improper installation, adjustment, alteration, service, or maintenance can cause property damage, injury, or death. Any alterations to this equipment will void the warranty and may cause a dangerous condition. This appliance is not intended to be operated by means of an external timer or separate remote-control system. NEVER make alterations to this equipment. Read the Installation, Operating, and Maintenance Instructions thoroughly before installing, servicing, or operating this equipment.</p> <p style="text-align: right; font-size: small;">014_020416</p>



	 <b>WARNING</b>
	<p>To avoid burns, DO NOT touch the kettle or any heated surface. DO NOT place or leave objects in contact with heated surfaces.</p> <p style="text-align: right; font-size: small;">013_092414</p>



	 <b>WARNING</b>
	<p>ALWAYS wear safety glasses when servicing this equipment.</p> <p style="text-align: right; font-size: small;">010_010914</p>

	 <b>WARNING</b>
	<p>No user serviceable parts inside. Refer servicing to qualified service personnel.</p> <p style="text-align: right; font-size: small;">011_051514</p>

	 <b>WARNING</b>
	<p>Read and understand operator's manual and all other safety instructions before using this equipment. To order copies of the operator's manual go to <a href="http://gmpopcorn.com">gmpopcorn.com</a> or write to Gold Medal Products Co., 10700 Medallion Drive, Cincinnati, OH 45241 USA 1-(800)-543-0862</p> <p style="text-align: right; font-size: small;">022_060215</p>

## SAFETY PRECAUTIONS (continued)

	 <b>WARNING</b>
	<p>DO NOT allow direct contact of this equipment by the public when used in food service locations. Only personnel trained and experienced in the equipment operation may operate this equipment. Carefully read all instructions before operation.</p> <p style="text-align: right; font-size: small;">012_010914</p>

	 <b>WARNING</b>
	<p>This machine is NOT to be operated by minors.</p> <p style="text-align: right; font-size: small;">007_010914</p>

This appliance is not intended for use by persons (including children) with reduced physical, sensory or mental capabilities, or lack of experience and knowledge, unless they have been given supervision or instruction concerning use of the appliance by a person responsible for their safety.

**Note:** Improvements are always being made to Gold Medal’s equipment. This information may not be the latest available for your purposes. It is critical that you call Gold Medal’s Technical Service Department at 1-800-543-0862 for any questions about your machine operations, replacement parts, or any service questions. (Gold Medal Products Co. does not assume any liability for injury due to careless handling and/or reckless operation of this equipment.)

# INSTALLATION INSTRUCTIONS

## Inspection of Shipment

After unpacking, check thoroughly for any damage which may have occurred in transit. Claims should be filed immediately with the transportation company. The warranty does not cover damage that occurs in transit, or damage caused by abuse, or consequential damage due to the operation of this machine, since it is beyond our control (reference warranty in back of manual).

## Manual

Read and understand the operator's manual and all other safety instructions before using this equipment. To order copies of the operator's manual go to [gmpopcorn.com](http://gmpopcorn.com) or write to Gold Medal Products Co., 10700 Medallion Drive, Cincinnati, OH 45241 USA 1-(800)-543-0862.

## Electrical Requirements



The following power supply must be provided:

**All Domestic Models:** 120 V~, 2375 W, 60 Hz

A 120V/30 amp 3 wire wall receptacle is shipped with each machine. This receptacle will accept the attachment plug on the popper and must be used.

**Export Models (Except 2102XESTJ):** 230 V~, 2435 W, 50 Hz

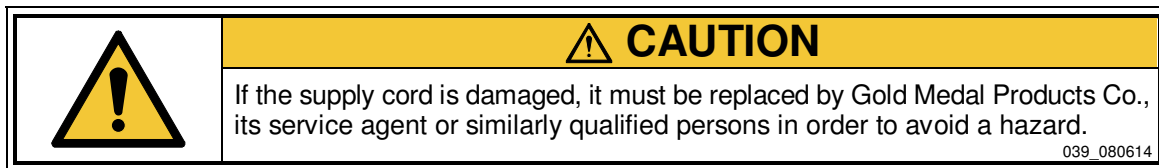
**Export Model 2102XESTJ:** 200 V~, 2435 W, 50/60 Hz

	 <b>DANGER</b>
<p>Machine must be properly grounded to prevent electrical shock to personnel. Failure to do so could result in serious injury, or death.            DO NOT immerse any part of this equipment in water.            DO NOT use excessive water when cleaning.            Keep cord and plug off the ground and away from moisture.            Always unplug the equipment before cleaning or servicing.            Make sure all machine switches are in the OFF position before plugging the equipment into the receptacle.</p>	
<small>008_051514</small>	

Your electrician must furnish sufficient power for proper machine operation. We recommend this equipment be on a dedicated and protected circuit. Failure to wire properly will void the warranty and may result in damage to the machine. It is Gold Medal Products Co.'s recommendation that this machine be plugged directly into a wall outlet. The use of extension cords is not recommended due to safety concerns, and may cause sacrificed and/or reduced performance. Make sure cord is located to prevent a trip hazard or unit upset.

## Before You Plug In Machine

1. Make sure all machine switches are in the OFF position before plugging the equipment into the receptacle.
2. Make sure the wall outlet can accept the grounded plugs (where applicable) on the power supply cord.
3. The wall outlet must have the proper polarity. If in doubt, have a competent electrician inspect the outlet and correct if necessary.
4. DO NOT use a grounded to un-grounded receptacle adapter (where applicable).
5. Install the unit in a level position.



## Final Preparation



The popcorn machine was adjusted, inspected, and tested before it left the factory. After the machine has been installed, mount the kettle assembly in the hanger arms and plug in the kettle lead-in cord. Tighten the ring on the kettle lead-in plug.

## Oil Dispense Installation

To connect and calibrate the oil dispense system to this popper; refer to the Bucket Pump (Gold Medal Item No. 2114) or Bag-in-a-Box (Gold Medal Item No. 2257) Instruction Manual included with the unit.

The proper amount of oil for the 16 oz. Citation is about 5 ounces.

To check for proper amount of oil, and assure oil is liquid; dispense a "shot" into a measuring cup.

# OPERATING INSTRUCTIONS

## Controls and Their Functions

### LIGHTS/WARMER SWITCH

Two position (ON/OFF), lighted rocker switch(s) which operates the interior light, dome light, and heat element for the corn deck freshener.

### KETTLE MOTOR SWITCH

Two position (ON/OFF), lighted rocker switch which operates the kettle agitator motor, and the exhaust fan. The Kettle Motor Switch **MUST** be ON at all times when there is popcorn (popped or un-popped) in the kettle. When finished popping, the unit should be sufficiently vented before turning off the exhaust fan.

### KETTLE HEAT SWITCH

Two position (ON/OFF), lighted rocker switch which operates the heating element in the popping kettle, by sending power to the “Big Eye” electronic temperature control system.

### LIGHT & AUDIBLE LOAD DUMP SIGNAL (2102E Series ONLY)

Yellow indicator light and audible sound (if engaged), used to signal Load Dump. Therefore, if the yellow light is ON, and the buzzer is sounding, **one** of the following actions should be taken:

- Load the corn and oil **or**
- Dump the popped corn from the kettle **or**
- Turn OFF the Kettle Heat Switch if you are finished popping corn.

**Note:** This light is also used to indicate Auto Shut Off (if enabled) and Control Board error codes (reference the Temperature Control Board section of this manual).

### OIL DISPENSE PUSH BUTTON SWITCH & GREEN OIL LIGHT

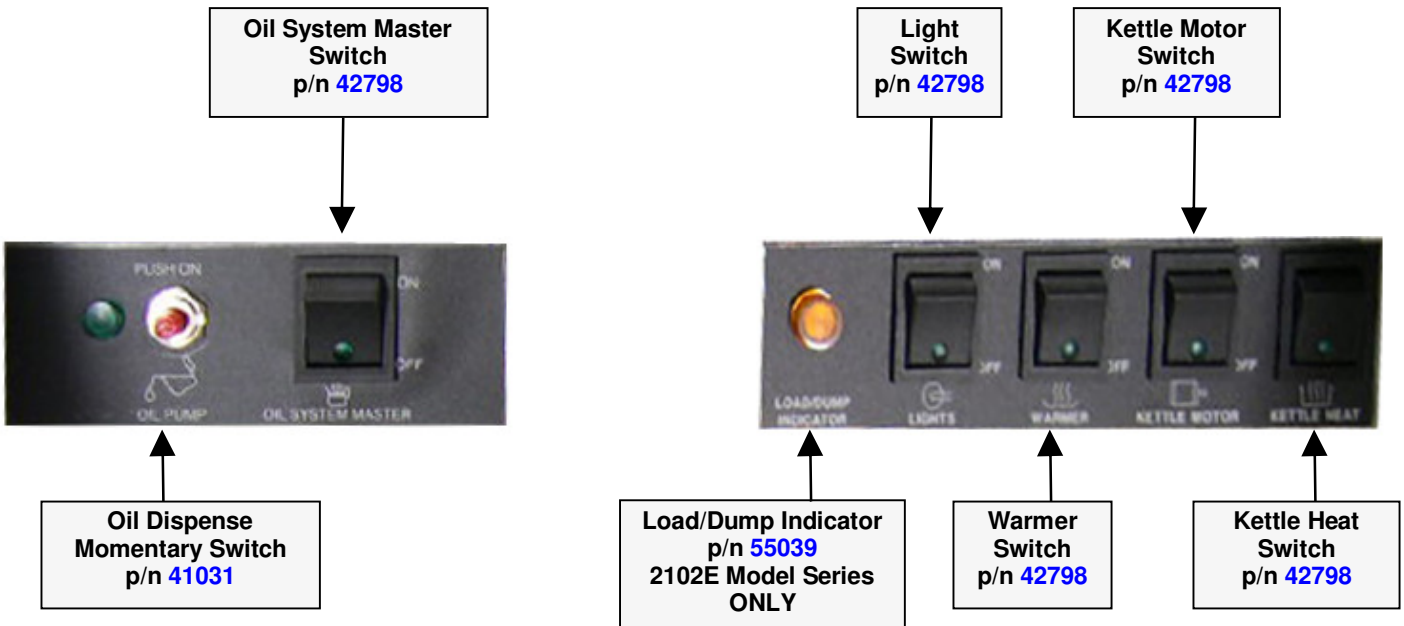
“Red” Oil Dispense Push Button (PB) Switch which dispenses a predetermined amount of oil into the kettle when pressed. The Oil System Master Switch must be in the ON position for the Oil Dispense PB Switch to activate (reference the Instruction Manual for the oil dispense unit). The Green Oil Light on the popper will only light up when the oil pump is dispensing.

### OIL SYSTEM MASTER SWITCH

Two position, lighted rocker switch which turns power to the oil pump ON/OFF (either the Bucket Pump or Bag-in-a-Box models). In the ON position, the warmer/blower on the oil pump is activated as well as the heated line kits (if equipped).

The warmer/blower on the oil pump will keep coconut popping oil liquid if the doors on the base are kept closed. It may be desirable to keep this switch on at night, if you have problems keeping the coconut oil liquid. Coconut oil will congeal at temperatures below approximately 76°F (24°C). (Reference the Instruction Manual for the oil dispense unit.)

# DELUXE CITATION



# POPPING CORN INSTRUCTIONS

## Amount of Popcorn and Oil

Your new popper is equipped with a corn, salt, and oil measure. We recommend flavored and colored coconut oil. Popcorn popped in coconut oil stays fresh longer and does not leave black deposits in your kettle like other oils. Use only top quality, fresh popcorn from reputable suppliers.

**Corn charge** – 16 oz. (473ml), use supplied corn measure.

**Oil charge** – 5 oz. (148ml), see the oil pump instruction manual to set the oil delivery amount.

**Flavacol** (salt) – 1.5 tablespoons (20cc), use supplied salt scoop.

For best results use Mega-Pop® premeasured pouches (Item# 2846).

## Popping Popcorn - 2102E Model Series Only

This section describes popping instructions for electronic units. See next section for non-electronic Models 2102 and 2102EX.

### Remember:

When the Yellow Light comes ON, and Audible Signal (if enabled) is sounding, *one* of the following actions should be taken:

- Load the corn and oil *or*
- Dump the popped corn from the kettle *or*
- Turn OFF the Kettle Heat if you are finished popping corn.

1. Turn all switches ON.

**Note:** When popping with coconut oil, be sure the oil is liquid. As a check, dispense oil into a measuring cup first (should be 5 oz.), then use that oil for the first popping cycle.

2. When the kettle is ready (about 4 minutes), the Yellow Light and Audible Signal (if enabled) will turn ON.
3. Lift the kettle lid and load the Mega-Pop® premeasured popcorn and oil pouch into kettle, or pour in the popcorn and Flavacol, then press the “Red” Oil Dispense PB Switch to add oil.
4. When the corn has finished popping the Yellow Light and Audible Signal will turn ON, then gently dump the popcorn.

**Note:** The signal “To Dump” was factory set based on our popcorn and oil. If the signal occurs before or after the popping has stopped, the signal timing must be adjusted. Have a qualified service person adjust the signal to dump (reference the Electronic Temperature Control section).

5. On the final kettle of corn, turn the Kettle Heat Switch OFF just as the lids are forced open by the popping corn. This procedure saves electricity, since the kettle has plenty of heat, and helps eliminate smoke/odor from any oil residue that remains after popping has stopped.

**Note:** When the Kettle Heat Switch is OFF, the machine will not beep on the last batch.

6. When finished popping, make sure KETTLE HEAT and KETTLE MOTOR switches are turned OFF.

**NEVER LEAVE THE HEAT ON WHEN YOU ARE NOT POPPING CORN!**

## **Popping Popcorn - 2102 and 2102EX Models Only**

This section describes popping instructions for 2102 and 2102EX. See previous section for electronic kettle models (2102E Model Series).


1. Turn all switches ON.

**Note:** When popping with coconut oil, be sure the oil is liquid. As a check, dispense oil into a measuring cup first (should be 5 oz.), then use that oil for the first popping cycle.

2. To determine when the kettle is ready to pop corn (about 4 minutes), test pop three kernels of corn and one ounce (30 ml) of popping oil. When the kernels pop, the kettle is ready for use.
3. Lift the lid and load pre-measured popcorn and oil pouch into kettle, or add the premeasured corn and Flavacol in amounts specified, then press the “Red Oil Dispense PB Switch to add oil.
4. When the corn has finished popping, gently dump the popcorn.
5. On the final kettle of corn, turn the Kettle Heat Switch OFF just as the lids are forced open by the popping corn. This procedure saves electricity, since the kettle has plenty of heat, and helps eliminate smoke/odor from any oil residue that remains after popping has stopped.
6. When finished popping, make sure KETTLE HEAT and KETTLE MOTOR switches are turned OFF.

**NEVER LEAVE THE HEAT ON WHEN YOU ARE NOT POPPING CORN!**

## Care and Cleaning

	 <b>DANGER</b>
	<p>Machine must be properly grounded to prevent electrical shock to personnel.  <b>DO NOT immerse in water.</b>          Always unplug the equipment before cleaning or servicing.</p> <p style="text-align: right; font-size: small;">025_020314</p>

	 <b>WARNING</b>
	<p>To avoid serious burns, <b>DO NOT</b> touch the kettle while it is hot!</p> <p style="text-align: right; font-size: small;">028_082715</p>

Good sanitation practice demands that all food preparation equipment be cleaned regularly (only use non-toxic, food grade cleaners). A clean looking, well-kept machine is one of the best ways of advertising your product.

**Note:** It is extremely important to follow all cleaning procedures, otherwise parts damage and equipment failure will result. The warranty does not cover parts that are damaged due to improper cleaning.

### Daily Kettle Cleaning Instructions

**CAUTION:** A hot kettle will cause burns if you touch it with your hand. Allow kettle to cool at least 1 hour before attempting to clean. **DO NOT** use ice or water to cool down a hot kettle! Severe kettle damage will result!

1. When cool, wipe **outside** of kettle with a clean, soft cloth. **DO NOT** use oven cleaners or abrasive materials as they will damage the kettle.
2. Every night, mix Gold Medal's Heat'n Kleen solution (Item No. 2095), 2 tablespoons per gallon of water. It is not necessary to use the entire gallon at once; only use enough to fill the kettle 1/2 inch deep.
3. Turn kettle heat ON. When water starts to boil, turn kettle heat OFF.
4. Allow to cool at least 1 hour, then dump solution into a bucket and wipe inside of kettle with a clean cloth. Make sure all solution goes into the bucket; do not spill any in the interior of machine.

For an extra dirty kettle, the process may be repeated; or, after turning kettle heat OFF, allow solution to sit in kettle overnight. The next morning, dump solution into a bucket and wipe inside of kettle with a clean cloth.

5. With unit OFF and unplugged, wipe kettle lead cord with a clean SLIGHTLY damp cloth. **DO NOT get moisture into the kettle lead-in cord, severe damage will result.**

## Daily Unit Cleaning Instructions

1. With the machine OFF, unplug the unit and allow it to cool before attempting to clean.
2. Make sure to clean all pans/accessories in order to sanitize them before each use.
3. Take a clean, SLIGHTLY damp cloth and wipe excess grease from the glass and cabinet.
4. Wipe the stainless steel parts with a clean cloth and cleaner designed for stainless steel, such as Gold Medal Watchdog Stainless Cleaner (Item No. 2088).

**DO NOT** use oven cleaners or abrasive materials as they will damage parts of the machine.

5. Clean the glass panels with glass cleaner. Gold Medal Watchdog Glass Cleaner (Item No. 2588) is recommended.

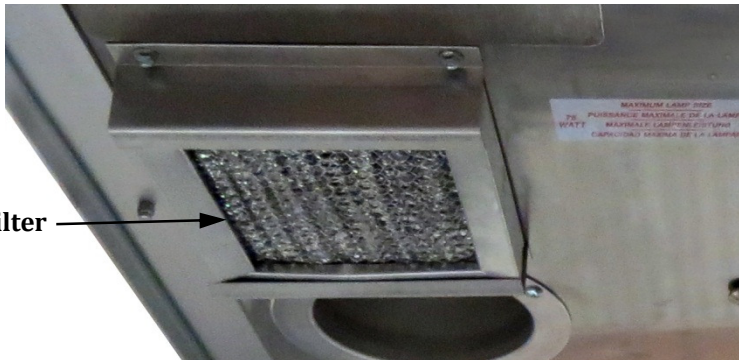
Ammonia cleaners will damage the plastic doors. Use only non-ammonia cleaners, such as Gold Medal Watchdog Glass Cleaner (Item No. 2588).

## Weekly Filter Cleaning Instructions

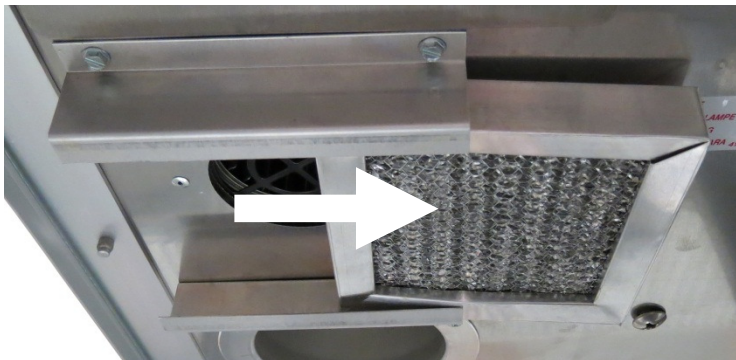
Your popcorn machine is equipped with an efficient and durable filtration system. The filter should be cleaned every week to maintain maximum efficiency.

Follow the steps below for proper filter cleaning:

**Step 1:**  
The filter is located on the inside of the popcorn machine above the popping kettle.



**Step 2:**  
Remove the filter by sliding it out of the filter retaining angles.



**Step 3:**  
Clean the filter in warm soapy water and allow to dry overnight. Replace the filter to its original position (as seen in Step 1).

# Troubleshooting

## Long Popping Cycles

If your pop cycle is longer than 4 minutes, it can be the result of several things:

1. **LOW VOLTAGE** - If the machine is operated on low voltage, this could cause the kettle not to reach the proper operating temperature.
2. **INADEQUATE SUPPLY LINES** - Inadequately sized electrical supply lines, in addition to being a fire hazard, would also prevent the kettle from reaching the proper operating temperature. Check with a certified electrician.
3. **INFERIOR CORN** - Inferior quality corn would result in longer popping cycles. Use only top quality hybrid popcorn from reputable suppliers. Even then, if you let your corn pick up moisture or dry out, your popping cycles will be slow.

## Motor Will Not turn Agitator

**WARNING!** If the kettle agitator shaft is not rotating, do not pop corn.



Adjust the clearance between the kettle bottom and the stir blade to 1/32". (use a dime)



Loosen the set screw in the collars above and below the crossbar and adjust the agitator shaft as necessary. Then re-tighten the set screws in the collars.



## Oil Pump Does Not Deliver Oil To Kettle



If the pump is operating but oil is not dispensed, the oil may be solid in the oil lines. If the pump is not operating see the pump manual for instructions.

# MAINTENANCE INSTRUCTIONS

	 <b>DANGER</b>
	<p>Machine must be properly grounded to prevent electrical shock to personnel. Failure to do so could result in serious injury, or death.  <b>DO NOT</b> immerse any part of this equipment in water.  <b>DO NOT</b> use excessive water when cleaning.                      Keep cord and plug off the ground and away from moisture.                      Always unplug the equipment before cleaning or servicing.                      Make sure all machine switches are in the OFF position before plugging the equipment into the receptacle.</p> <p style="text-align: right; font-size: small;">008_051514</p>

	 <b>DANGER</b>
	<p>Improper installation, adjustment, alteration, service, or maintenance can cause property damage, injury, or death. Any alterations to this equipment will void the warranty and may cause a dangerous condition. This appliance is not intended to be operated by means of an external timer or separate remote-control system. <b>NEVER</b> make alterations to this equipment. Read the Installation, Operating, and Maintenance Instructions thoroughly before installing, servicing, or operating this equipment.</p> <p style="text-align: right; font-size: small;">014_020416</p>

	 <b>WARNING</b>
	<p>No user serviceable parts inside. Refer servicing to qualified service personnel.</p> <p style="text-align: right; font-size: small;">011_051514</p>

	 <b>CAUTION</b>
	<p>THE FOLLOWING SECTIONS OF THIS MANUAL ARE INTENDED ONLY FOR QUALIFIED SERVICE PERSONNEL WHO ARE FAMILIAR WITH ELECTRICAL EQUIPMENT. THESE ARE NOT INTENDED FOR THE OPERATOR.</p> <p style="text-align: right; font-size: small;">027_010914</p>

# Electronic Temperature Control

## (for Domestic 2102E Series)

### Operation

The temperature control is factory set to stop the power to the kettle when the thermocouple reaches setpoint. This is also the ideal point to dump the popped corn out of the kettle. On the first start-up, this is the ideal time to load the corn and oil. Therefore, if the Kettle Heat Switch is turned ON and the buzzer is sounding, **one** of the following actions should be taken:

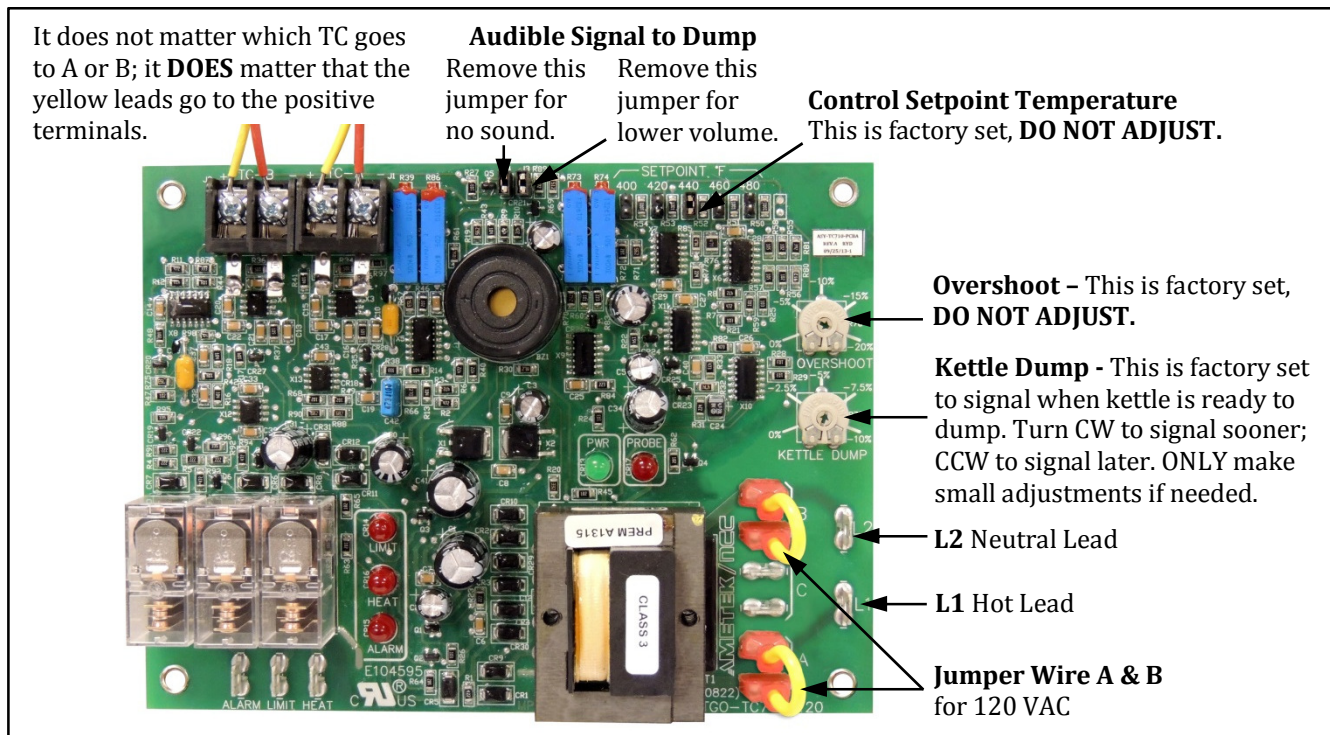
- Load the corn and oil **or**
- Dump the popped corn from the kettle **or**
- Turn OFF the Kettle Heat Switch if you are finished popping corn.

### Adjustment of Electronic Control

This unit has an electronic kettle control with 2 thermocouples (TC), one for control and one for limit. There are no mechanical thermostats in this kettle.

There are (4) factory adjustments on the control:

1. Control Setpoint Temperature – This is factory set, **DO NOT adjust**.
2. Signal to Dump – If you want the signal to dump to be a little sooner or later, you can adjust the Kettle Dump potentiometer (see image below). Turn clockwise (CW) to signal sooner, counterclockwise (CCW) to signal later.
3. The patented Overshoot circuit is tuned for the kettle, **DO NOT adjust** this potentiometer.
4. The Audible Signal to Dump has three options; full volume, half volume, no sound (yellow light only). Adjustments are made by jumper positions (see image below). The unit is shipped with full volume.



# Electronic Temperature Control

## (for Export 2102XE Series)

### Operation

The temperature control is factory set to stop the power to the kettle when the thermocouple reaches set point. This is also the ideal point to dump the popped corn out of the kettle. On the first start-up, this is the ideal time to load the corn and oil. Therefore, if the Kettle Heat Switch is turned ON and the buzzer is sounding, **one** of the following actions should be taken:

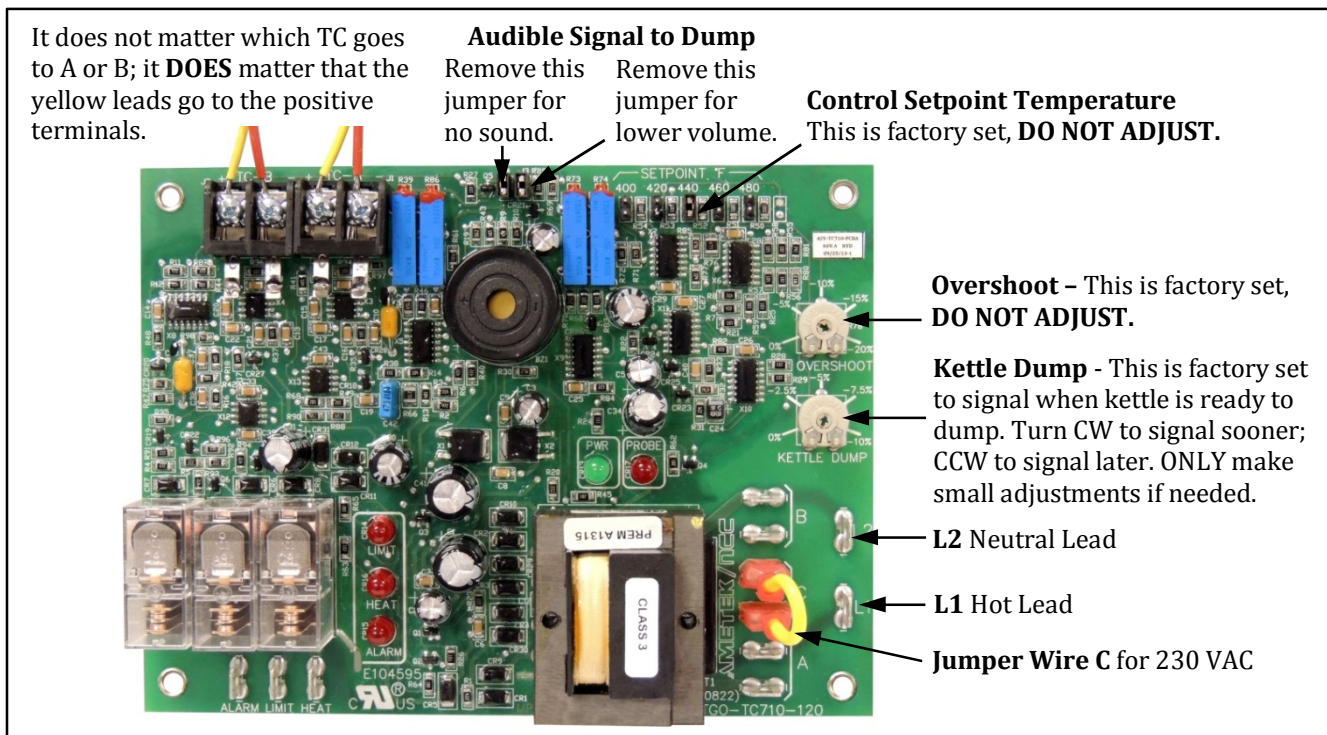
- Load the corn and oil **or**
- Dump the popped corn from the kettle **or**
- Turn OFF the Kettle Heat Switch if you are finished popping corn.

### Adjustment of Electronic Control

This unit has an electronic kettle control with 2 thermocouples (TC), one for control and one for limit. There are no mechanical thermostats in this kettle.

There are (4) factory adjustments on the control:

5. Control Setpoint Temperature – This is factory set, **DO NOT adjust**.
6. Signal to Dump – If you want the signal to dump to be a little sooner or later, you can adjust the Kettle Dump potentiometer (see image below). Turn clockwise (CW) to signal sooner, counterclockwise (CCW) to signal later.
7. The patented Overshoot circuit is tuned for the kettle, **DO NOT adjust** this potentiometer.
8. The Audible Signal to Dump has three options; full volume, half volume, no sound (yellow light only). Adjustments are made by jumper positions (see image below). The unit is shipped with full volume.



## ORDERING SPARE PARTS

1. Identify the needed part by checking it against the photos, illustrations, and/or parts list.
2. Use only approved replacement parts when servicing this unit.
3. When ordering, please include part number, part name, and quantity needed.
4. Please include your model number, serial number, and date of manufacture (located on the machine nameplate/data plate) with your order.
5. Address all parts orders to:

Parts Department  
Gold Medal Products Co.  
10700 Medallion Drive  
Cincinnati, Ohio 45241-4807

Or, place orders by phone or online:

Phone: (800) 543-0862

(513) 769-7676

Fax: (800) 542-1496

(513) 769-8500

E-mail: [info@gmpopcorn.com](mailto:info@gmpopcorn.com)

Web Page: [gmpopcorn.com](http://gmpopcorn.com)

## **Replacing Broken Glass**

Broken glass panels can be easily replaced. Gold Medal Products Co. does not ship glass. It can be obtained from a local glass shop and always purchase tempered glass.

1. Remove all loose pieces of glass.
2. Remove all rigid glass channels from around the glass to be replaced. Set it aside as it must be reused.
3. Carefully remove the rest of the broken glass.
4. Apply decals (if desired) to the new glass panel.
5. Slide rigid glass channels over the exposed sides and bottom of new glass panel.
6. Fasten new glass panel in machine with the existing glass strips. (On some units, the front and side glass slide under top and is then lowered into the bottom channel.)

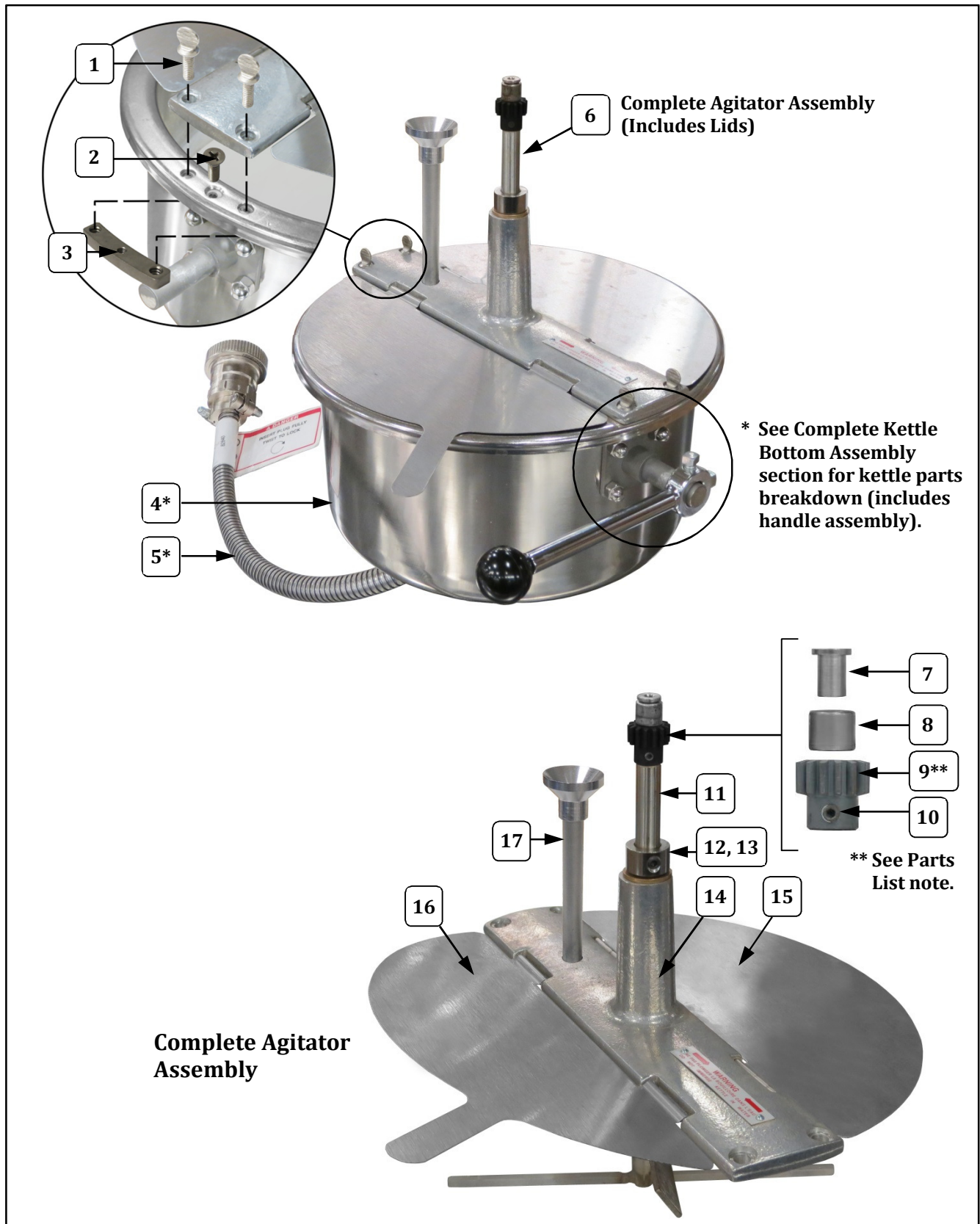
### **GLASS DIMENSIONS:**

Front Glass: 28 3/16 X 22 15/16

Side Glass: 28 3/16 X 15 1/2

**All glass purchased should be 1/8 inch thick.**

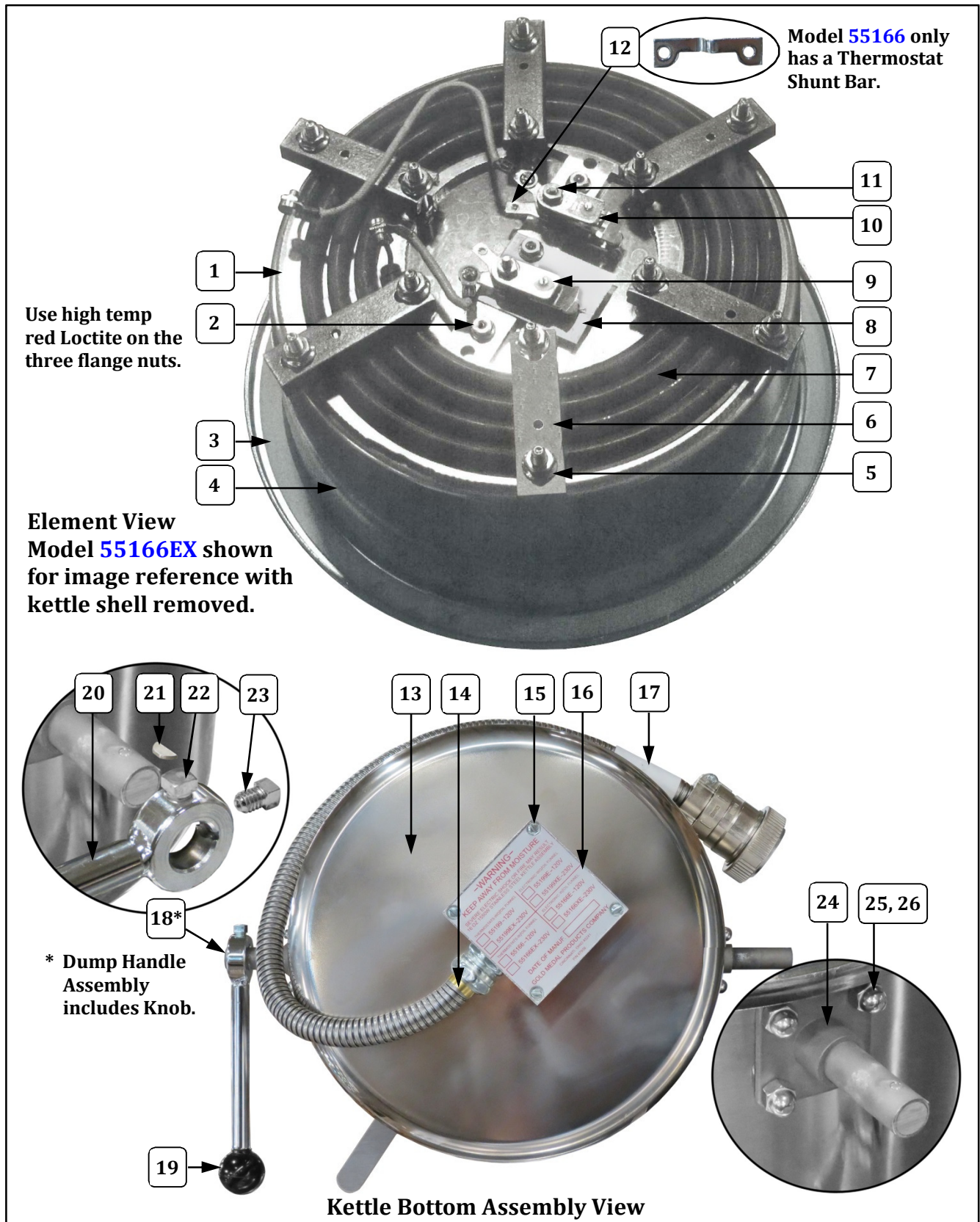
Complete 16 oz. Kettle Assy. (55166, EX and 55166E, XE)



Complete 16 oz. Kettle Assy. (55166, EX and 55166E, XE) – Parts List

Item	Parts Description	Part Number			
		55166	55166EX	55166E	55166XE
1	1/4-20 X 1 THUMB SCREW	47691	47691	47691	47691
2	8-32 X 1/2 PHILL FLAT M/S ZINC	20066	20066	20066	20066
3	THREADED BLOCK	61167	61167	61167	61167
4	16OZ KETTLE BOTTOM ASSEMBLY (see Kettle Bottom Assembly section for itemized parts breakdown)	55200	55200EX	55201	55201EX
5	KETTLE LEAD ASSEMBLY (included in Kettle Bottom Assembly)	47361	47361EX	55176	55176
6	LID & AGITATOR ASSEMBLY (Complete Assy.)	41066	41066	41066	41066
7	AGITATOR BEARING HUB	43434	43434	43434	43434
8	NEEDLE BEARING	47106	47106	47106	47106
9**	SPUR GEAR ( <b>NOTE:</b> Always replace Agitator Spur Gear AND Kettle Drive Motor Gear as a set.	47060	47060	47060	47060
10	10-32 X 3/16 SET SCREW	41742	41742	41742	41742
11	AGITATOR SHAFT ASSEMBLY	41093	41093	41093	41093
12	½ ID X 7/8 OD SET COLLAR	47326	47326	47326	47326
13	¼-20 X 3/16 SET SCREW	47751	47751	47751	47751
14	CROSSBAR ASSEMBLY	41086	41086	41086	41086
15	REAR LID	41120	41120	41120	41120
16	FRONT LID	41123	41123	41123	41123
17	OIL TUBE W/ FUNNEL	41239	41239	41239	41239

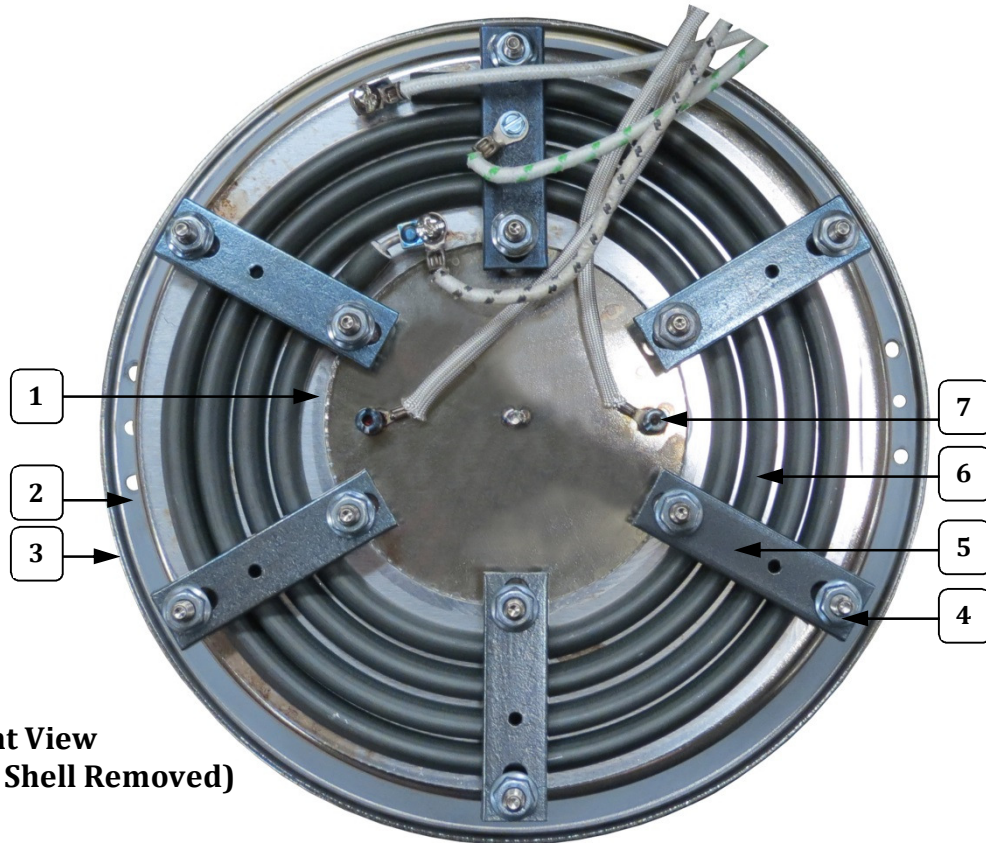
Complete Kettle Bottom Assy. (55166, EX) - Parts Breakdown



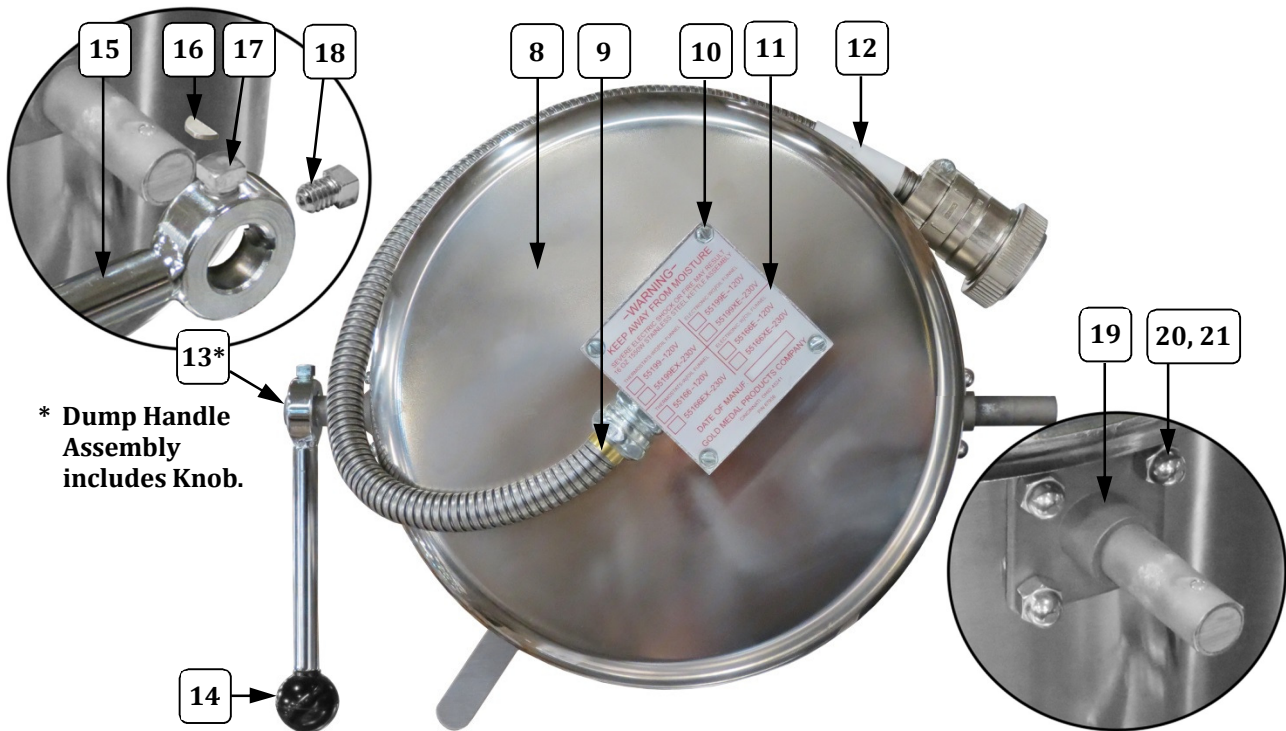
**Complete Kettle Bottom Assy. (55166, EX) - Parts List**

Item	Part Description	Part No.	
		55166	55166EX
	16OZ KETTLE BOTTOM ASSY (Complete Assy.)	55200	55200EX
1	TRANSFER PLATE ASSY (beneath heat element)	67944	67944
2	8-32 SERRATED FLANGE NUT	61151	61151
3	KETTLE GASKET	41598	41598
4	KETTLE WELDMENT	67892	67892
5	¼ - 20 SERRATED LOCK NUT	46311	46311
6	ELEMENT CLAMP (6 required)	67894	67894
7	1550 TUBULAR HEAT ELEMENT	67014	67014EX
8	LIMIT THERMOSTAT SHIELD	67959	67959
9	THERMOSTAT 550F (only used on Domestic Models)	77108	
10	482 F THERMOSTAT (Export Model uses two 482 F Thermostats)	76708	76708
11	8-32 TOP LOCK NUT	67943	67943
12	THERMOSTAT SHUNT BAR	47193	47193
13	KETTLE SHELL ASSEMBLY (has Pivot Pins attached)	41081	41081
14	KETTLE LEAD ASSEMBLY	47361	47361EX
15	8-32 x 3/8 SLT HWHW M/S (fastens the Name Plate and the Kettle to the Junction Box)	42044	42044
16	JUNCTION BOX	47393	47393
17	KETTLE CONDUIT LABEL	82840	82840
18	DUMP HANDLE ASSEMBLY (includes Items 13 thru 17 listed below)	47102	47102
19	DUMP HANDLE KNOB	47110	47110
20	DUMP HANDLE	47707	47707
21	3 1/8 X ½ WOODRUFF KEY	41730	41730
22	5/16 - 18 X ½ SQ HD SCREW	47725	47725
23	5/16 - 18 X 3/8 SQ HD SCREW (holds key)	47662	47662
24	PIVOT PIN	41426	41426
25	1/4-20 ACORN NUT	42229	42229
26	1/4-20 X 3/8 BUTTON HEAD	12492	12492

Complete Kettle Bottom Assy. (55166E, XE) – Parts Breakdown



Element View  
(Kettle Shell Removed)



Kettle Bottom Assembly View

\* Dump Handle Assembly includes Knob.

**Complete Kettle Bottom Assy. (55166E, XE) - Parts List**

Item	Part Description	Part No.	
		55166E	55166XE
	16OZ KETTLE BOTTOM ASSY (Complete Assy.)	55201	55201EX
1	HEAT TRANSFER PLATE (beneath heat element)	67890	67890
2	KETTLE GASKET	41598	41598
3	KETTLE WELDMENT	67892	67892
4	¼ - 20 SERRATED LOCK NUT	46311	46311
5	ELEMENT CLAMP (6 required)	67894	67894
6	1550 TUBULAR HEAT ELEMENT	67014	67014EX
7	8-32 TOP LOCK NUT	67943	67943
8	KETTLE SHELL ASSEMBLY (has Pivot Pins attached)	41081	41081
9	KETTLE LEAD ASSEMBLY	55176	55176
10	8-32 x 3/8 SLT HWHW M/S (fastens the Name Plate and the Kettle to the Junction Box)	42044	42044
11	JUNCTION BOX	47393	47393
12	KETTLE CONDUIT LABEL	82840	82840
13	DUMP HANDLE ASSEMBLY (includes Items 13 thru 17 listed below)	47102	47102
14	DUMP HANDLE KNOB	47110	47110
15	DUMP HANDLE	47707	47707
16	3 1/8 X ½ WOODRUFF KEY	41730	41730
17	5/16 - 18 X ½ SQ HD SCREW	47725	47725
18	5/16 - 18 X 3/8 SQ HD SCREW (holds key)	47662	47662
19	PIVOT PIN	41426	41426
20	1/4-20 ACORN NUT	42229	42229
21	1/4-20 X 3/8 BUTTON HEAD	12492	12492

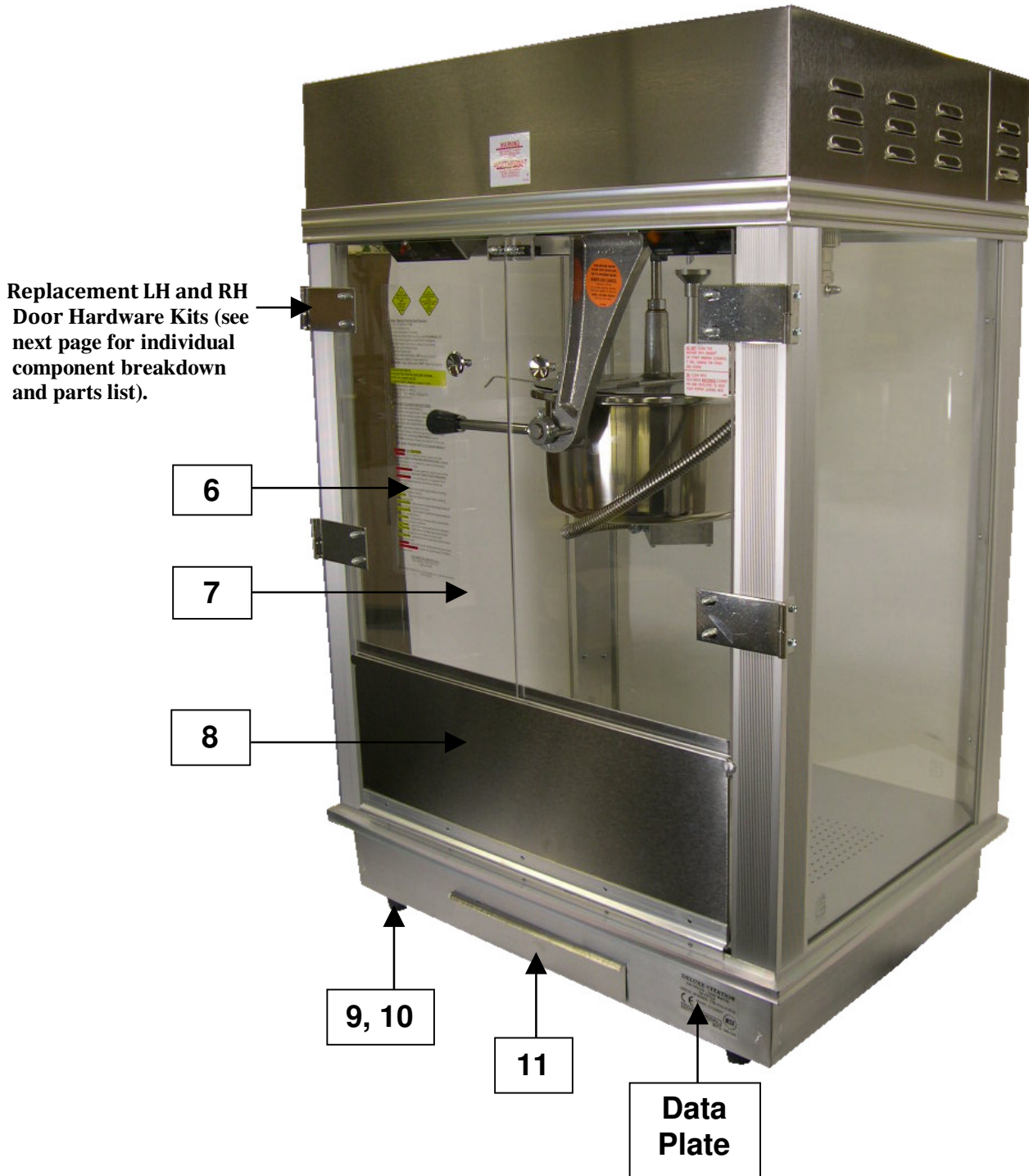
# CABINET ASSEMBLY – FRONT VIEW



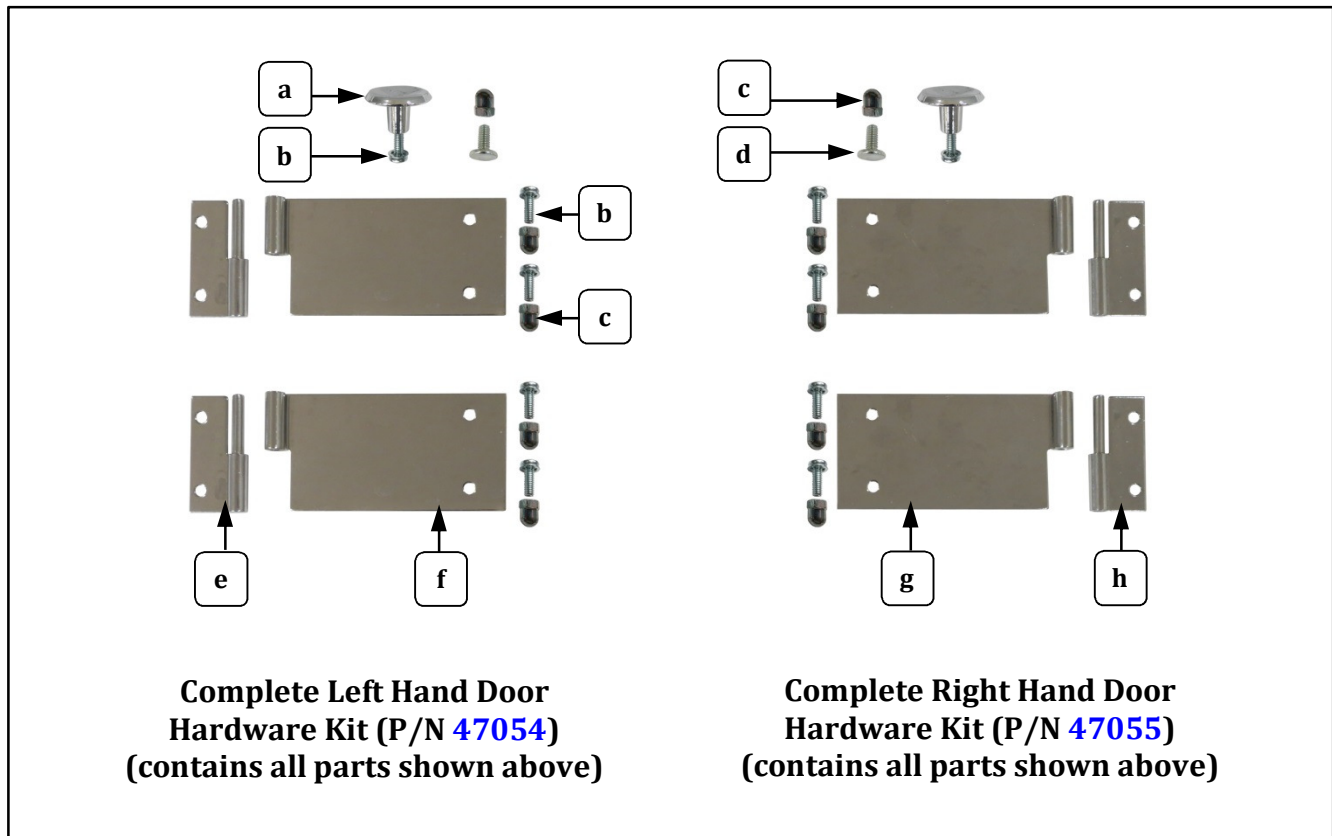
**2\*** Power Cord (Not Shown)

\* CAUTION: If supply cord is damaged, it must be replaced by Gold Medal Products Co., its service agent, or similarly qualified persons in order to avoid a hazard.

# CABINET ASSEMBLY – REAR VIEW

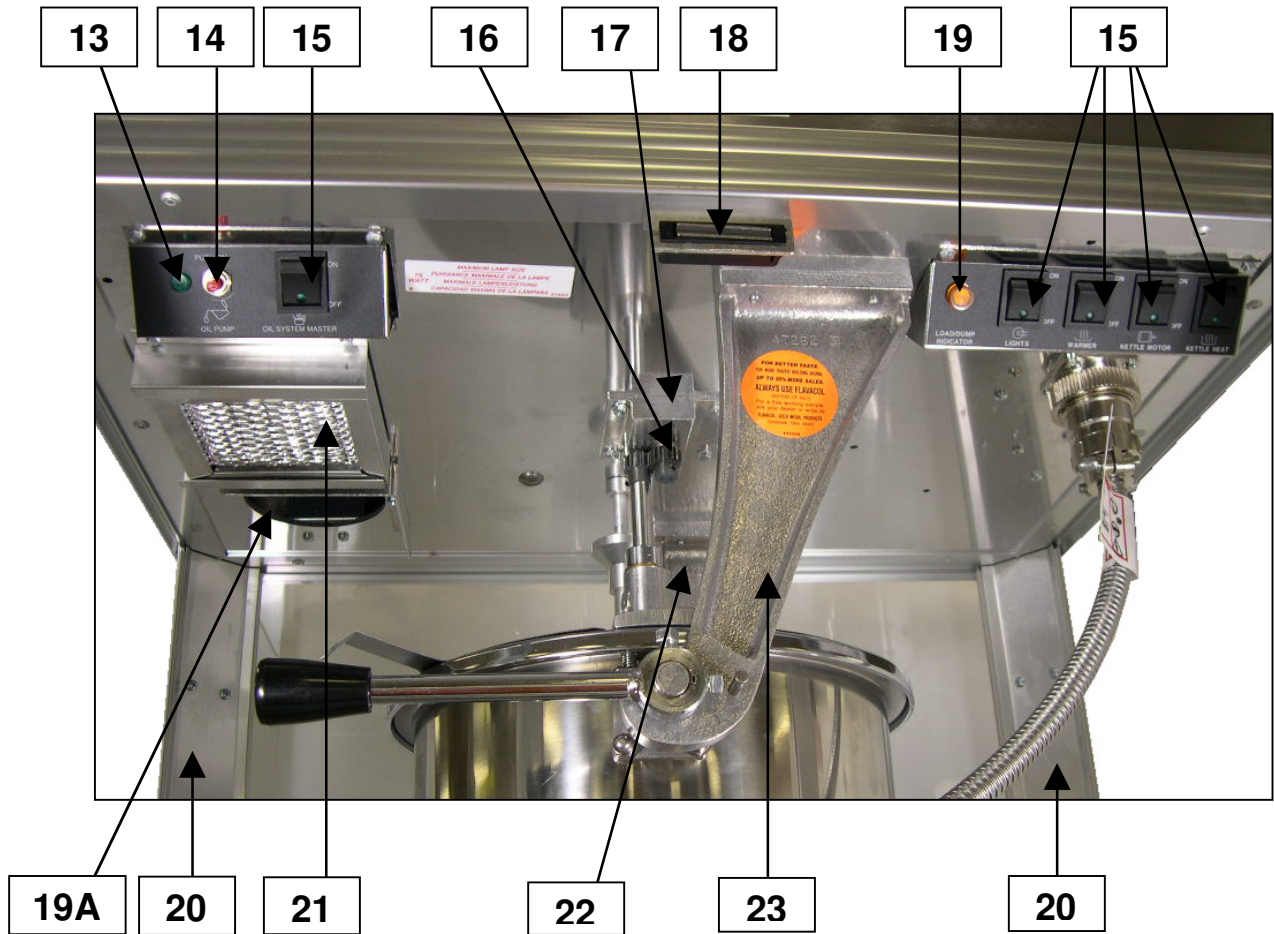


## Door Hardware Kits – Individual Component Breakdown

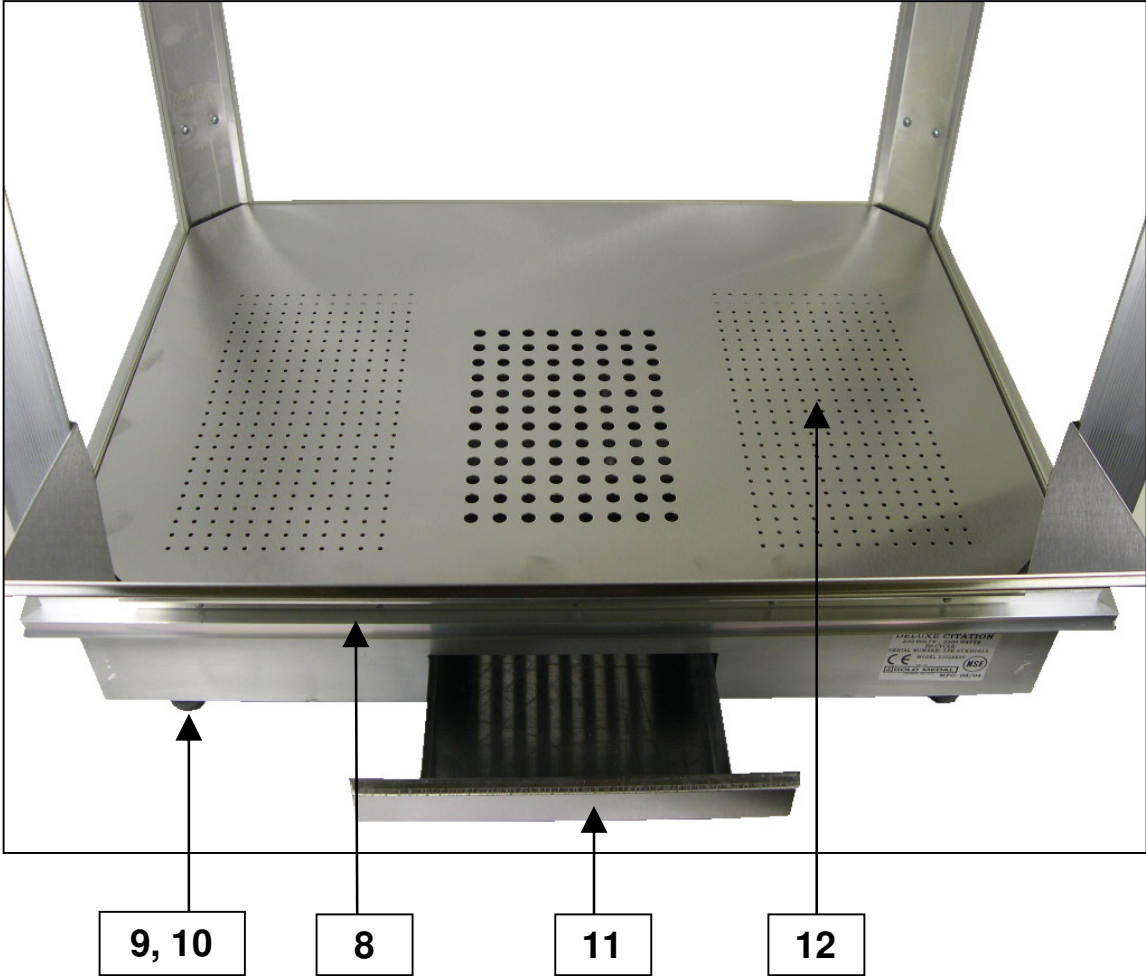


Item	Part Description	Part Number	
		47054	47055
a	DOOR KNOB	41013	41013
b	8-32 X 1/2 SCREWS PH PAN W/SEMS	47124	47124
c	ACORN NUT #8-32	47702	47702
d	TEE BOLT	75267	75267
e	MALE HINGE SHORT LEFT	41349	
f	FEMALE HINGE LONG LEFT	41352	
g	FEMALE HINGE LONG RIGHT		41351
h	MALE HINGE SHORT RIGHT		41350

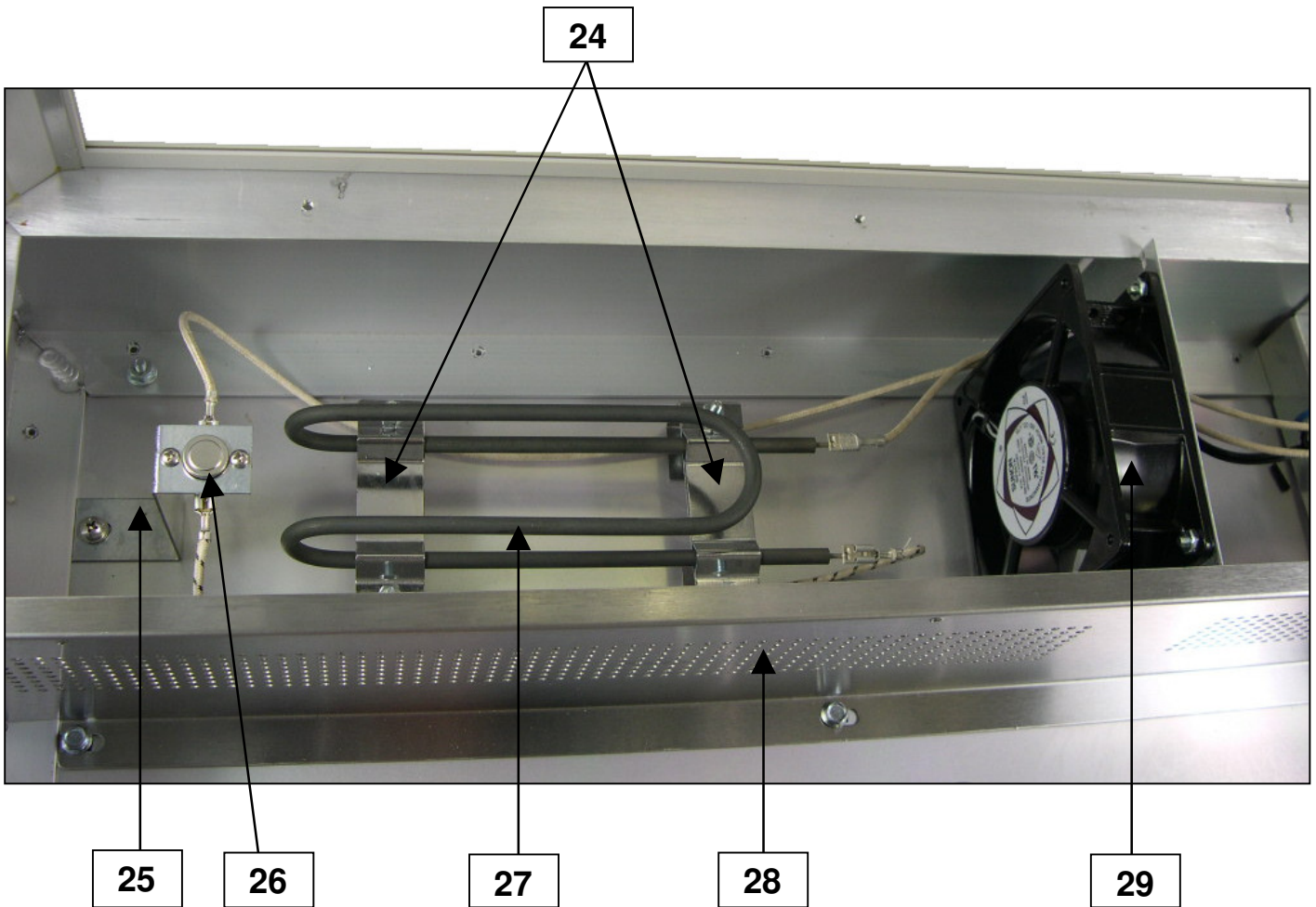
# INSIDE CABINET COMPONENTS



# INSIDE CABINET COMPONENTS – CONTINUED

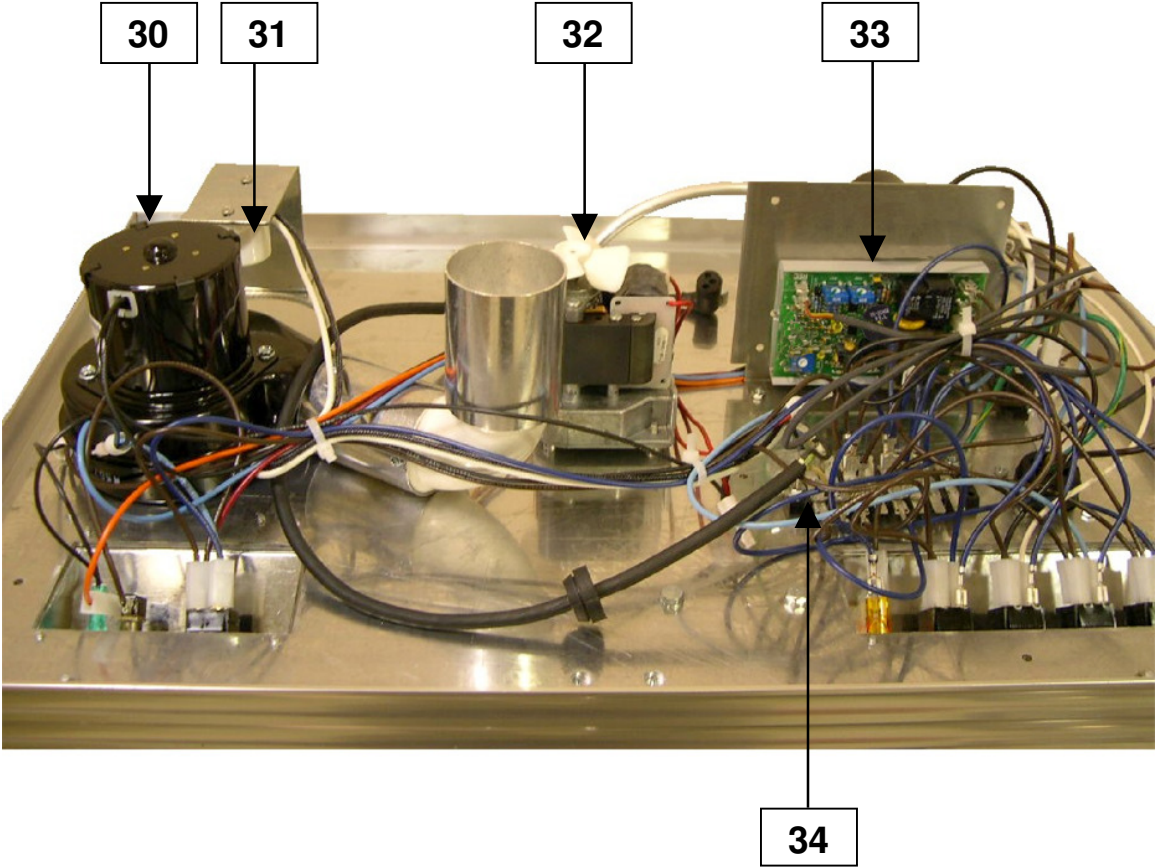


# WARMER ASSEMBLY



Model Series 2102E Shown for image reference only.

# INSIDE ROOF COMPONENTS



Model Series 2102E Shown for image reference only.

## Parts List Model 2102 and 2102EX

Item	Part Description	Part No.	
		2102	2102EX
1A	DOME, MOLDED 20 X 28	77001	77001
	LED DOME LIGHT ASSY (not shown)	77040	77040
	LED STRIP COOL WHITE (not shown)	55379	55379
	POWER SUPPLY 24VDC 20W (not shown)	55394	55394
	LED MOUNTING WHITE DOME (not shown)	55475	55475
2	POWER SUPPLY CORD (not shown)	47603	42369
3	GLASS CHAN 27 13/16	47692	47692
4	GLASS CHAN 15 3/8 (top and bottom of side glass)	47692	47692
5	GLASS CHAN 22 7/8 (top and bottom of front glass)	47694	47694
6	UNIVERSAL POPPER DECAL	41019	41019
7	PLEXIGLAS DOORS	47600	47600
8	DROP PANEL ASSY.	47337	47337
9	GLIDE	47328	47328
10	CRUTCH TIP	49123	49123
11	OLD MAID PAN	61181	61181
12	CORN PAN	47736	47736
13	PILOT LIGHT	48660	48660
14	MOMENTARY SWITCH	41031	41031
15	LIGHTED ROCKER SWITCH	42798	42798
16	SPUR GEAR	47059	47059
17	GEAR BLOCK ASSY.	67194	67194
18	MAGNETIC CATCH	47561	47561
19	PILOT LIGHT – AMBER	N/A	N/A
19A	65WATT COATED REFLECTOR (not shown)	47176	
	75W HALOGEN FLOOD 240V (not shown)		41979EX
20	REAR GLASS RETAINER	47592	47592
	FRONT GLASS RETAINER (not shown)	47593	47593
21	FILTER	47043	47043
22	FRONT HANGER ARM	47262	47262
23	REAR HANGER ARM	47228	47228
24	HEATER CLAMPS	61133	61133
25	THERMOSTAT MOUNT BRKT.	61186	61186
26	WARMER THERMOSTAT	47385	47385
27	HEAT ELEMENT 190W	55437	61184EX
28	BLOWER COVER	61173	61173
29	BLOWER	48018	48037
	EXHST BLOWER PLUG & CORD (not shown)	47199	47199
30	EXHAUST BLOWER	47343	47667
31	LAMP HOLDER	47047	
32	KETTLE DRIVE MOTOR	47038	47067
33	TEMPERATURE CONTROL	N/A	N/A
34	TERMINAL BLOCK,8 TERMINAL	47208	47208
	RELAY (not shown)	48645	

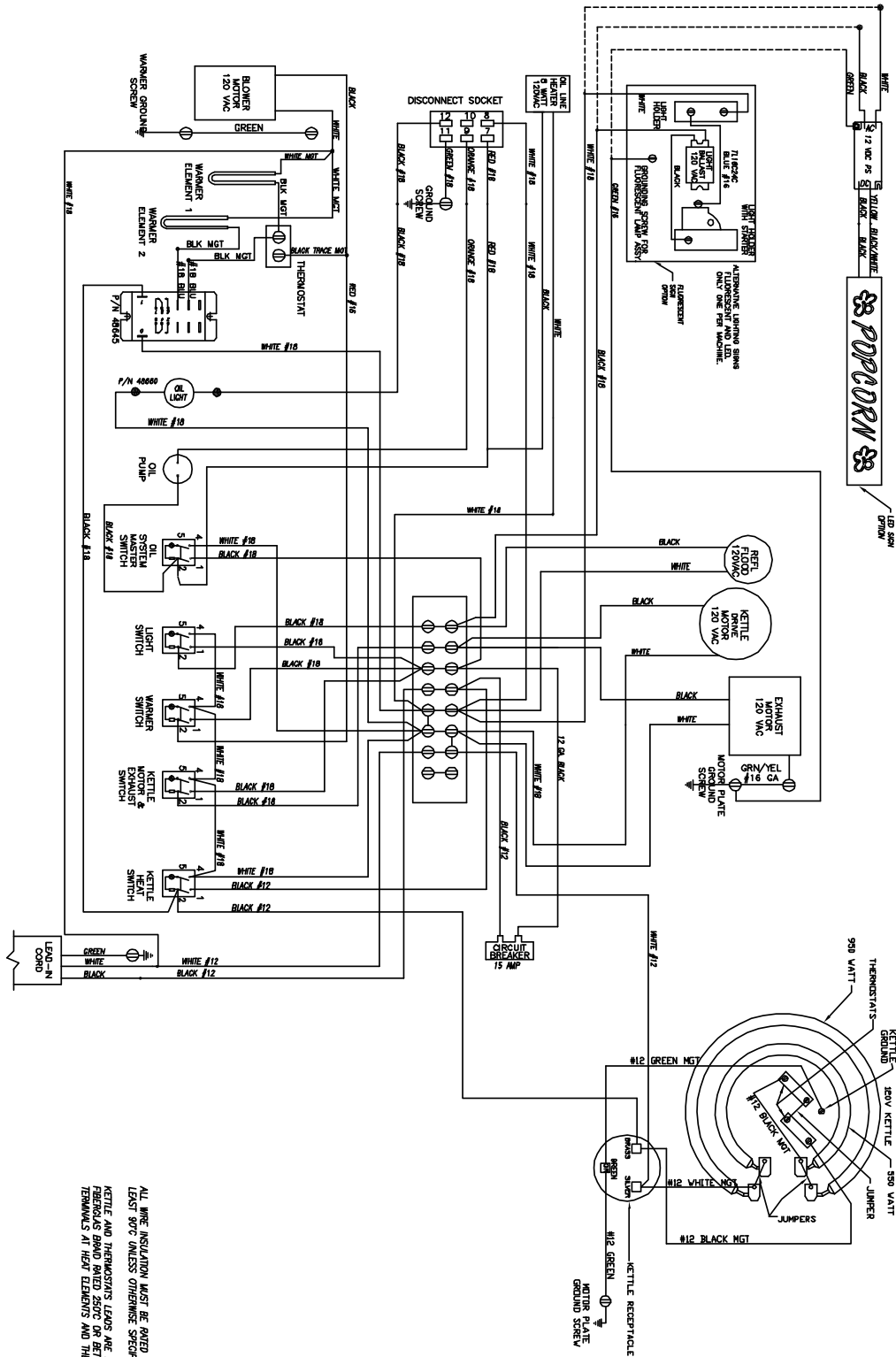
## Parts List Model Domestic 2102E Series

Item	Part Description	Part No.		
		2102E	2102EN	2102EST
1A	DOME, MOLDED 20 X 28	77001		
	LED DOME LIGHT ASSY (not shown)	77040		
	LED STRIP COOL WHITE (not shown)	55379		
	POWER SUPPLY 24VDC 20W (not shown)	55394		
	LED MOUNTING WHITE DOME (not shown)	55475		
	MOLDED PLUG	47726		
1B	DOME ASSY W/ LED SIGN		45006	
	LED SIGN ASSY, 24 INCH		45003	
	COVER, 24 NEON SIGN		67417	
	POWER SUPPLY, 12VDC		55231	
1C	DOME ASSY. COMPLETE			41811
	SIGN, LIGHTED DOME 28X28			41301
	LED STRIP COOL WHITE			55379
	POWER SUPPLY 24VDC 20W			55394
	MOLDED PLUG			47726
2	POWER SUPPLY CORD (not shown)	47603	47603	47603
3	GLASS CHAN 27 13/16	47692	47692	47692
4	GLASS CHAN 15 3/8 (top and bottom of side glass)	47692	47692	47692
5	GLASS CHAN 22 7/8 (top and bottom of front glass)	47694	47694	47694
6	UNIVERSAL POPPER DECAL	41019	41019	41019
7	PLEXIGLAS DOORS	47600	47600	47600
8	DROP PANEL ASSY.	47337	47337	47337
9	GLIDE	47328	47328	47328
10	CRUTCH TIP	49123	49123	49123
11	OLD MAID PAN	61181	61181	61181
12	CORN PAN	47736	47736	47736
13	PILOT LIGHT	48660	48660	48660
14	MOMENTARY SWITCH	41031	41031	41031
15	LIGHTED ROCKER SWITCH	42798	42798	42798
16	SPUR GEAR	47059	47059	47059
17	GEAR BLOCK ASSY.	67194	67194	67194
18	MAGNETIC CATCH	47561	47561	47561
19	PILOT LIGHT – AMBER	55039	55039	55039
20	REAR GLASS RETAINER	47592	47592	47592
	FRONT GLASS RETAINER (not shown)	47593	47593	47593
21	FILTER	47043	47043	47043
22	FRONT HANGER ARM	47262	47262	47262
23	REAR HANGER ARM	47228	47228	47228
24	HEATER CLAMPS	61133	61133	61133
25	THERMOSTAT MOUNT BRKT.	61186	61186	61186
26	WARMER THERMOSTAT	47385	47385	47385
27	WARMER ELEMENT	61184	61184	61184
28	BLOWER COVER	61173	61173	61173
29	BLOWER	48018	48018	48018
	EXHST BLOWER PLUG & CORD (not shown)	47199	47199	47199
30	EXHAUST BLOWER 120V/60CY	47343	47343	47343
31	LAMP HOLDER	47047	47047	47047
32	KETTLE DRIVE MOTOR	47038	47038	47038
33	TEMPERATURE CONTROL	41001	41001	41001
34	TERMINAL BLOCK,8 TERMINAL	47208	47208	47208

# Parts List Model Export 2102XE Series

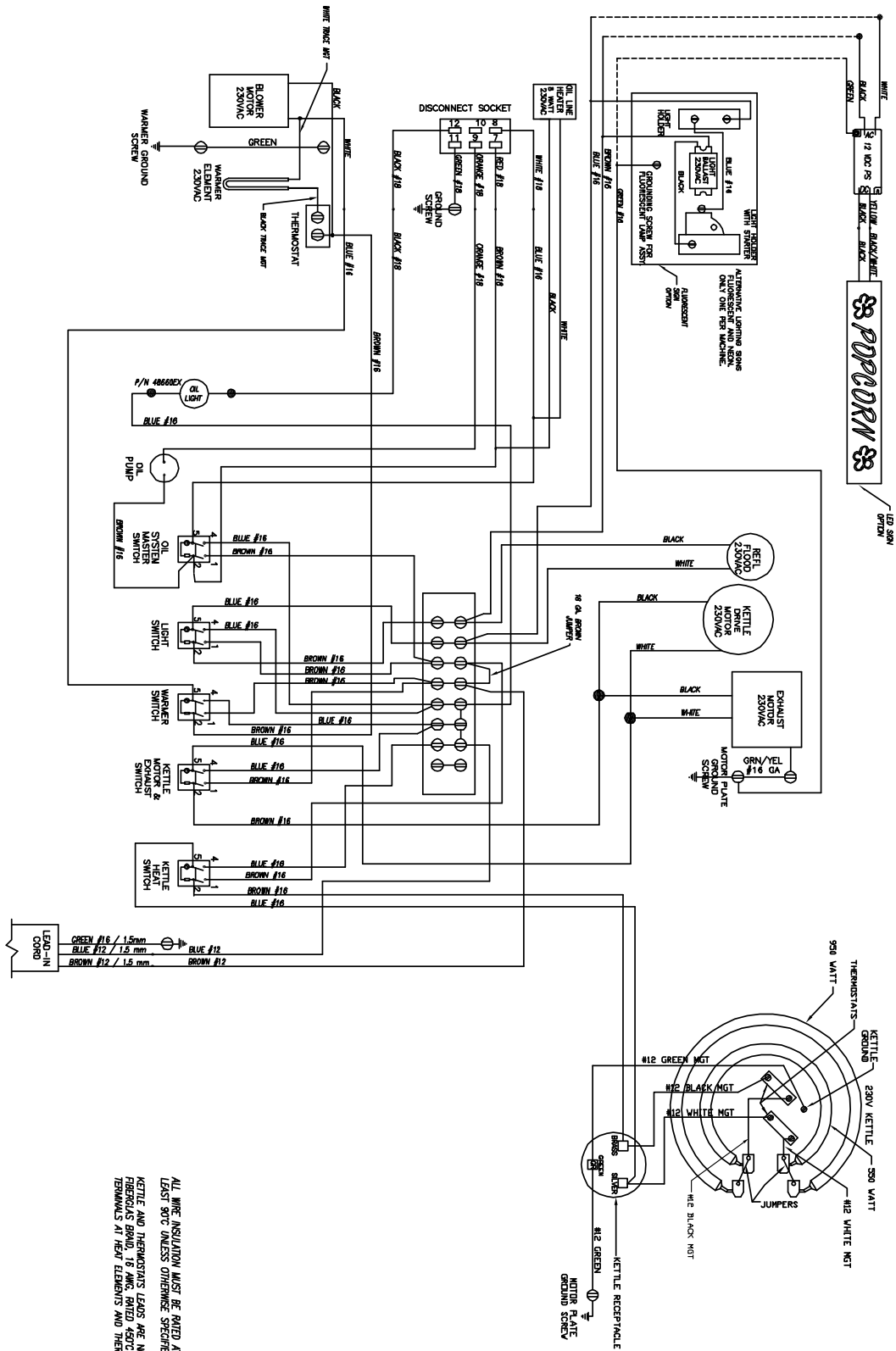
Item	Part Description	Part No.			
		2102XE	2102XEN	2102XEST	2102XESTJ
1A	DOME, MOLDED 20 X 28 (not shown)	77001			
	LED DOME LIGHT ASSY (not shown)	77040			
	LED STRIP COOL WHITE (not shown)	55379			
	POWER SUPPLY 24VDC 20W (not shown)	55394			
	LED MOUNTING WHITE DOME (not shown)	55475			
	MOLDED PLUG (not shown)	47726			
1B	DOME ASSY W/ LED SIGN (not shown)		45006		
	LED SIGN ASSY, 24 INCH (not shown)		45003		
	COVER, 24 NEON SIGN (not shown)		67417		
	POWER SUPPLY, 12VDC (not shown)		55231		
1C	DOME ASSY. COMPLETE			41811	41811
	SIGN, LIGHTED DOME 28X28			41301	41301
	LED STRIP COOL WHITE (not shown)			55379	55379
	POWER SUPPLY 24VDC 20W (not shown)			55394	55394
	MOLDED PLUG (not shown)			47726	47726
2	POWER SUPPLY CORD (not shown)	42369	42369	42369	42369
3	GLASS CHAN 27 13/16	47692	47692	47692	47692
4	GLASS CHAN 15 3/8 (top and bottom of side glass)	47692	47692	47692	47692
5	GLASS CHAN 22 7/8 (top and bottom of front glass)	47694	47694	47694	47694
6	UNIVERSAL POPPER DECAL	41019	41019	41019	41019
7	PLEXIGLAS DOORS	47600	47600	47600	47600
8	DROP PANEL ASSY.	47337	47337	47337	47337
9	GLIDE	47328	47328	47328	47328
10	CRUTCH TIP	49123	49123	49123	49123
11	OLD MAID PAN	61181	61181	61181	61181
12	CORN PAN	47736	47736	47736	47736
13	PILOT LIGHT	48660	48660	48660	48660
14	MOMENTARY SWITCH	41031	41031	41031	41031
15	LIGHTED ROCKER SWITCH	42798	42798	42798	42798
16	SPUR GEAR	47059	47059	47059	47059
17	GEAR BLOCK ASSY.	67194	67194	67194	67194
18	MAGNETIC CATCH	47561	47561	47561	47561
19	PILOT LIGHT – AMBER	55039	55039	55039	55039
20	REAR GLASS RETAINER	47592	47592	47592	47592
	FRONT GLASS RETAINER (not shown)	47593	47593	47593	47593
21	FILTER	47043	47043	47043	47043
22	FRONT HANGER ARM	47262	47262	47262	47262
23	REAR HANGER ARM	47228	47228	47228	47228
24	HEATER CLAMPS	61133	61133	61133	61133
25	THERMOSTAT MOUNT BRKT.	61186	61186	61186	61186
26	WARMER THERMOSTAT	47385	47385	47385	47385
27	WARMER ELEMENT	61184	61184	61184	61184
28	BLOWER COVER	61173	61173	61173	61173
29	EXHAUST BLOWER 220V,50CY	48037	48037	48037	48037
	EXHST BLOWER PLUG & CORD (not shown)	47199	47199	47199	47199
30	EXHAUST BLOWER 230V/50CY	47667	47667	47667	47667
31	LAMP HOLDER	47047	47047	47047	47047
32	KETTLE DRIVE MOTOR	47067	47067	47067	47067
33	TEMPERATURE CONTROL	41001	41001	41001	41001
34	TERMINAL BLOCK,8 TERMINAL	47208	47208	47208	47208
	TRANSFORMER BOOST 440VA (not shown)				48642

# ELECTRICAL SCHEMATIC MODEL 2102



ALL WIRE INSULATION MUST BE RATED AT  
LEAST 90°C UNLESS OTHERWISE SPECIFIED.  
KETTLE AND THERMOSTAT LEADS ARE NICKEL WITH WICK AND  
THERMALS AT HEAT ELEMENTS AND THERMOSTATS ARE NICKEL.

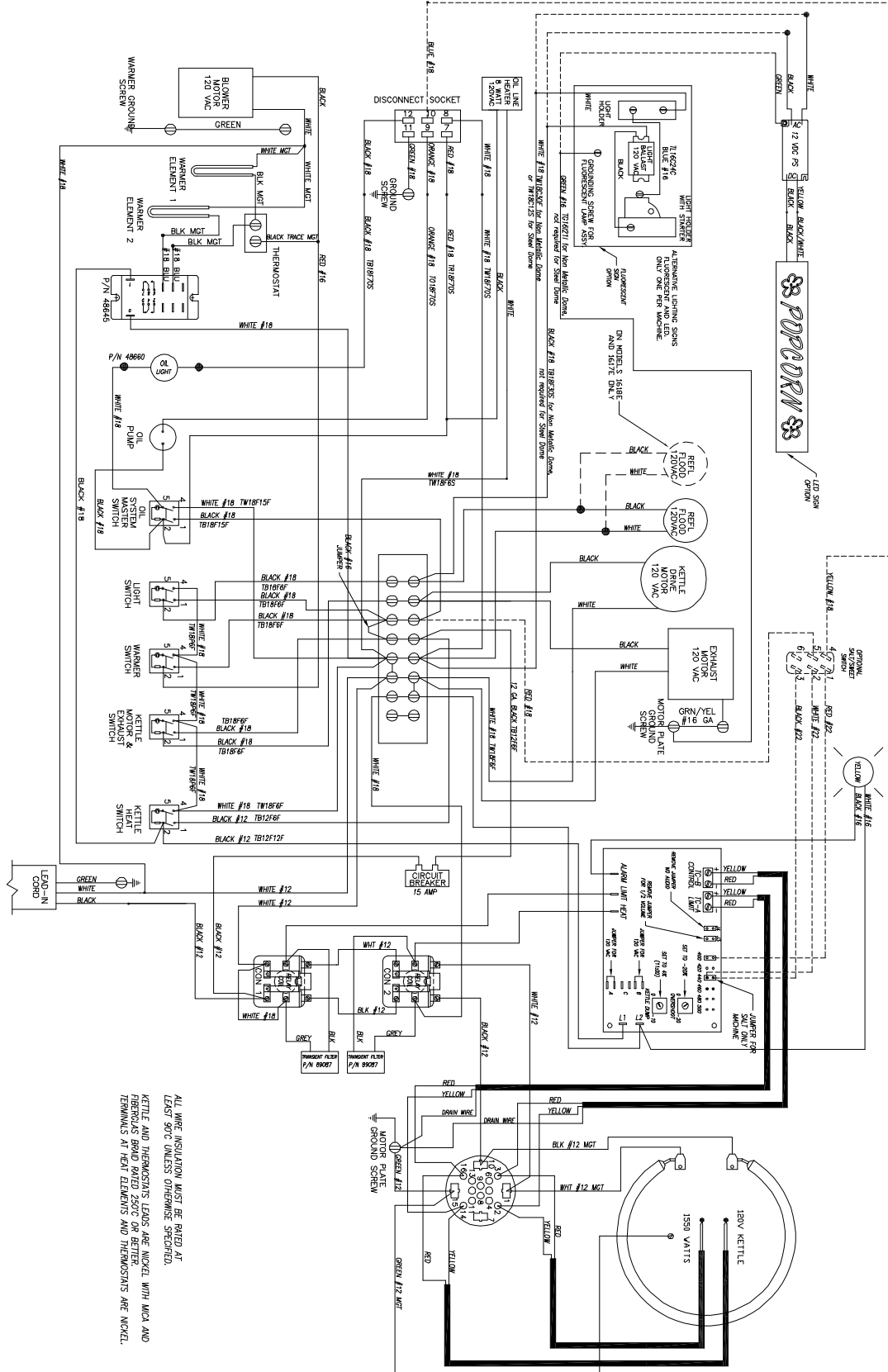
# ELECTRICAL SCHEMATIC MODEL 2102EX



ALL WIRE INSULATION MUST BE RATED AT LEAST 90°C UNLESS OTHERWISE SPECIFIED. KETTLE AND THERMOSTATS LEADS ARE NICKEL WITH MICA AND FIBERGLASS Braid. 16 AWG. RATED 90°C OR BETTER. TERMINALS AT HEAT ELEMENTS AND THERMOSTATS ARE NICKEL.

# ELECTRICAL SCHEMATIC

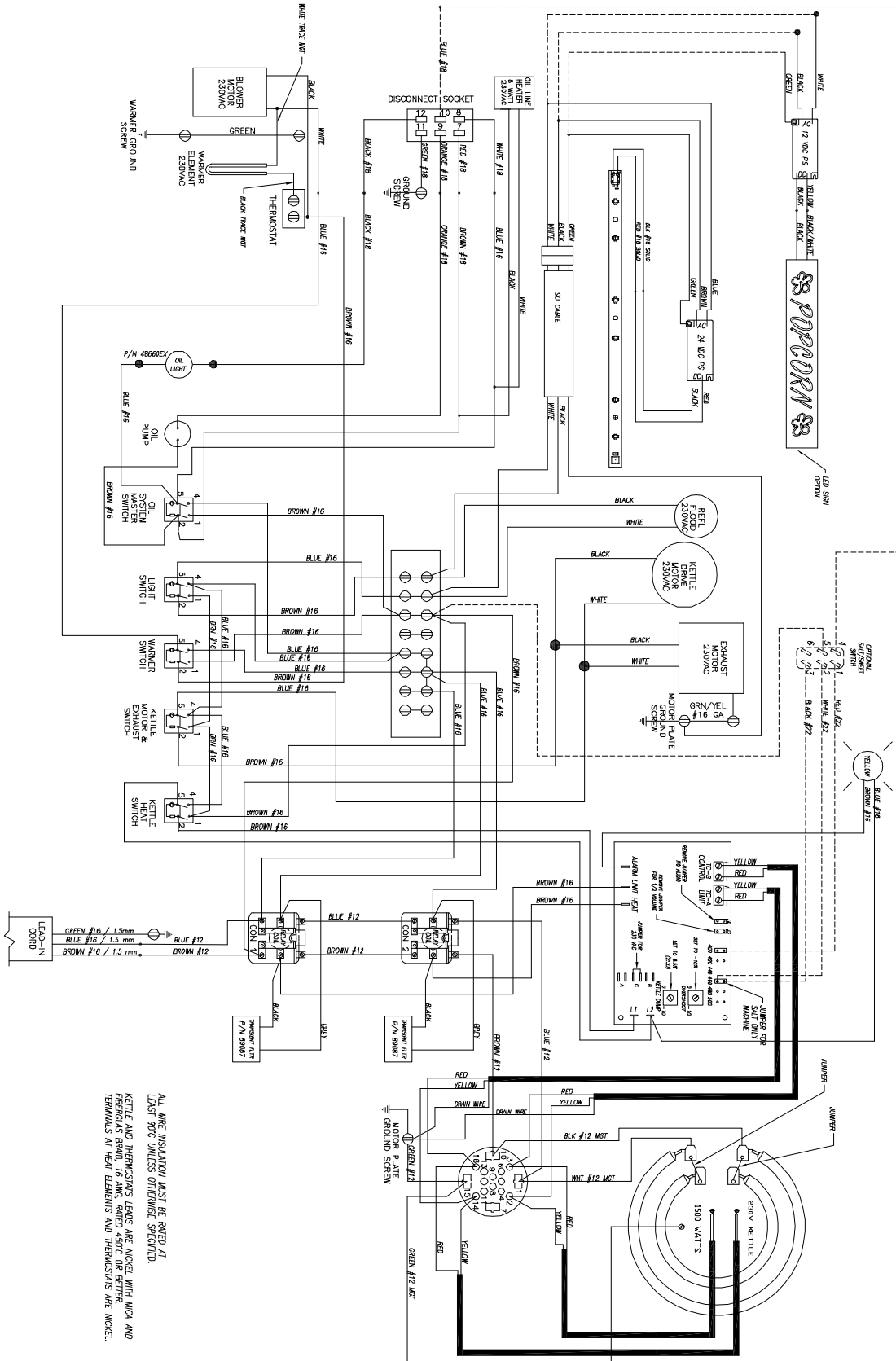
## MODELS: 2102E, 2102EN, 2102EST



ALL WIRE INSULATION MUST BE RATED AT LEAST 90°C UNLESS OTHERWISE SPECIFIED. KETTLE AND THERMOSTAT LEADS ARE NICKEL WITH WICA AND TERMINALS AT THEM ELEMENTS AND THERMOSTATS ARE NICKEL.

# ELECTRICAL SCHEMATIC

## MODELS: 2102XE

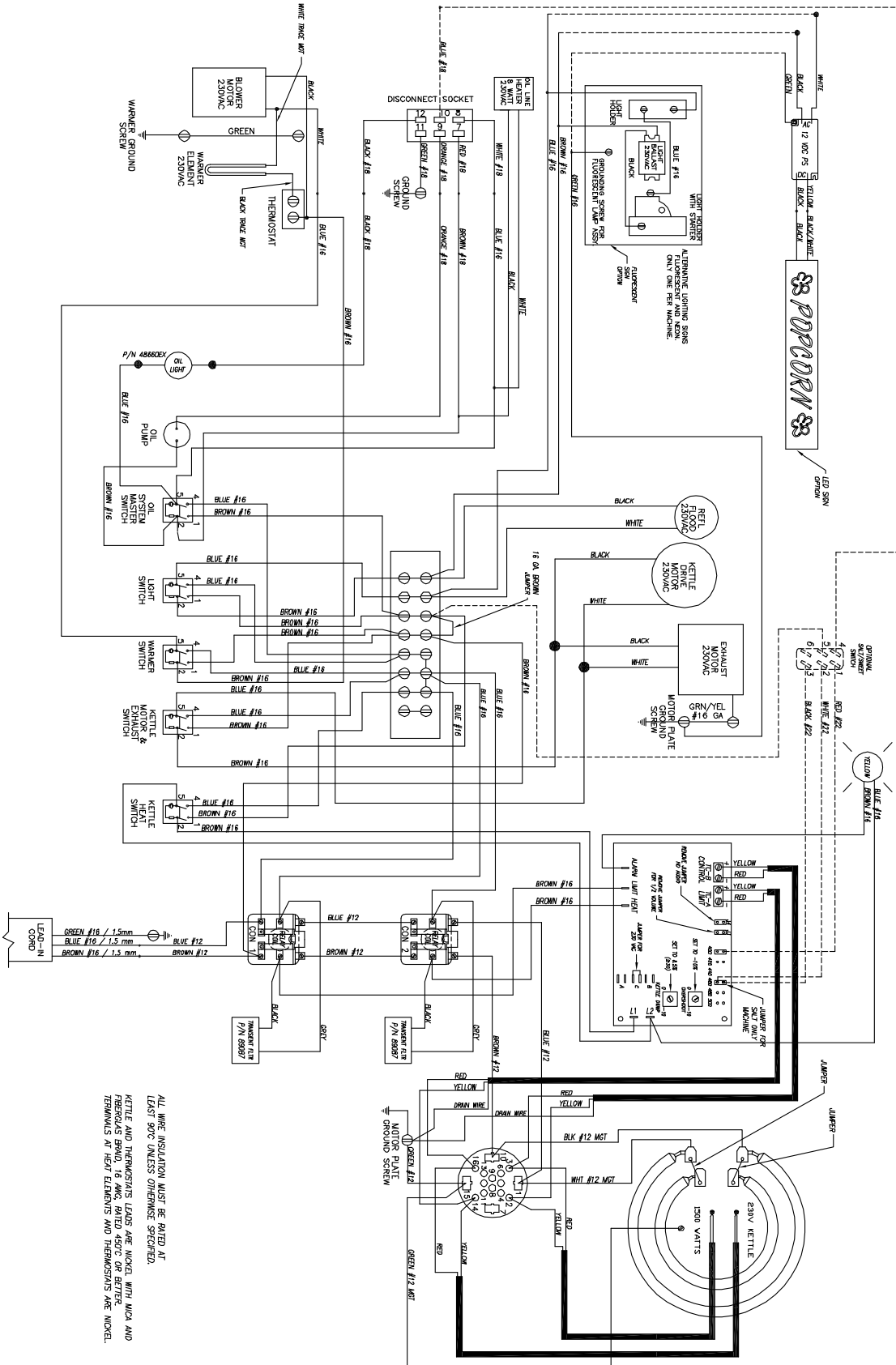


ALL WIRE INSULATION MUST BE RATED AT LEAST 90°C UNLESS OTHERWISE SPECIFIED. KETTLES AND THERMOSTATS LEADS ARE NICKEL WITH NICKEL AND FERROUS BRASS. 16 AWG. RATED 450°C OR BETTER. TERMINALS AT HEAT ELEMENTS AND THERMOSTATS ARE NICKEL.



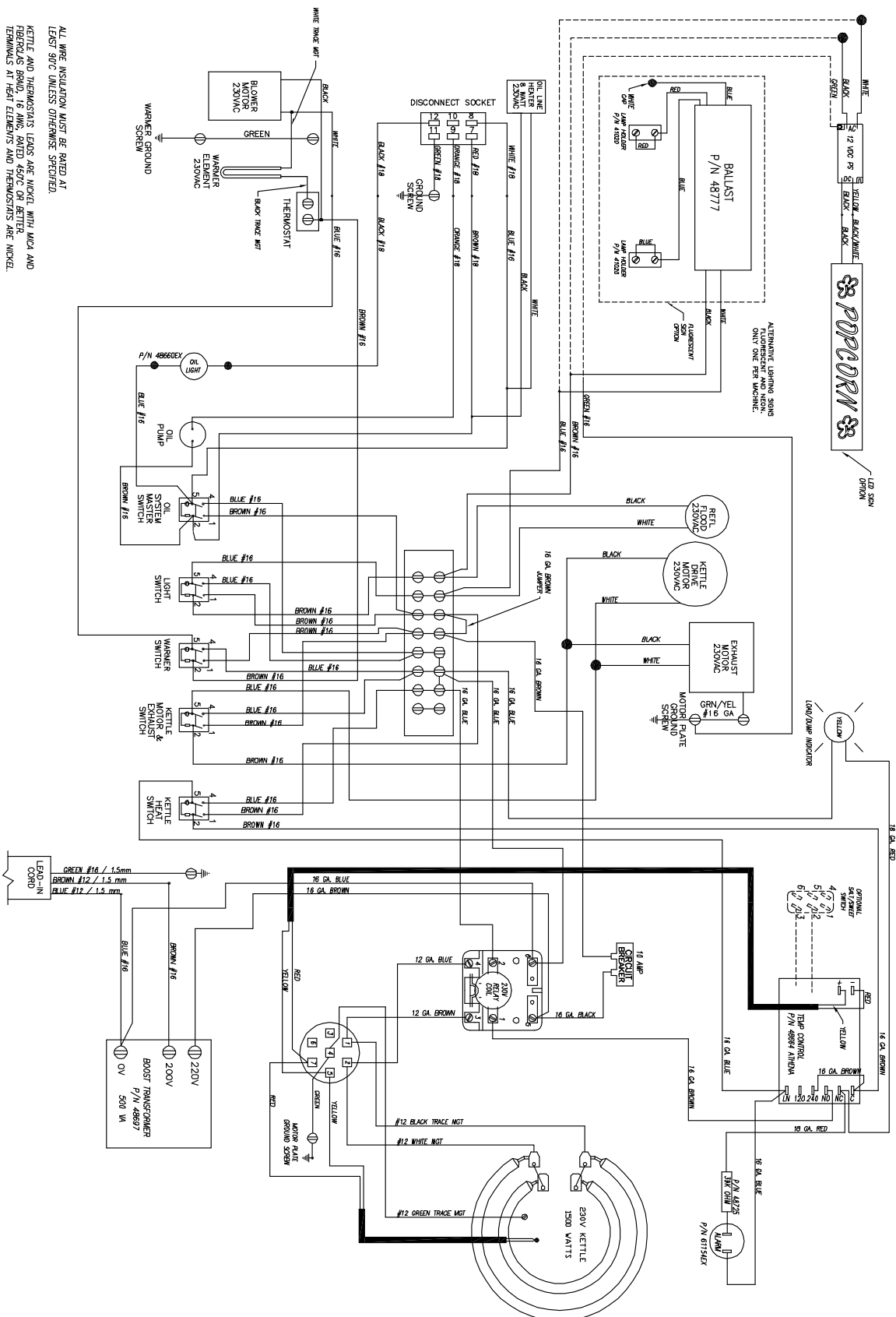
# ELECTRICAL SCHEMATIC

## MODELS: 2102XEN



# ELECTRICAL SCHEMATIC

## MODELS: 2102XESTJ



ALL WIRE INSULATION MUST BE RATED AT LEAST 90°C UNLESS OTHERWISE SPECIFIED.

KETTLE AND THERMOSTATS LEADS ARE NICKEL WITH MICA AND FIBERGLASS Braid. IS AWG, RATED 450°C OR BETTER. TERMINALS AT HEAT ELEMENTS AND THERMOSTATS ARE NICKEL.

# WARRANTY

Gold Medal Products Co. warrants to the original purchaser each item of its manufacture to be free of defects in workmanship and material under normal use and service. Gold Medal Products Co.'s obligation under this warranty is limited solely to repairing or replacing parts, f.o.b. Cincinnati, Ohio, which in its judgment are defective in workmanship or material and which are returned, freight prepaid, to its Cincinnati, Ohio factory or other designated point. Except for "Perishable Parts" on specific machines, the above warranty applies for a period of two (2) years from the date of original sale to the original purchaser of equipment when recommended operating instructions and maintenance procedures have been followed. These are packed with the machine. Parts warranty is two (2) years, labor is six (6) months.

THIS WARRANTY IS IN LIEU OF ALL OTHER WARRANTIES EXPRESSED OR IMPLIED, AND OF ALL OTHER OBLIGATIONS OR LIABILITIES ON OUR PART, INCLUDING THE IMPLIED WARRANTY OF MERCHANTABILITY. THERE ARE NO WARRANTIES WHICH EXTEND BEYOND THE DESCRIPTION ON THE FACE HEREOF. In no event shall Gold Medal Products Co. be liable for special, incidental or consequential damages. No claim under this warranty will be honored if the equipment covered has been misused, neglected, damaged in transit, or has been tampered with or changed in any way. No claim under this warranty shall be honored in the event that components in the unit at the time of the claim were not supplied or approved by Gold Medal Products Co. This warranty is effective only when electrical items have been properly attached to city utility lines only at proper voltages. This warranty is not transferable without the written consent of Gold Medal Products Co.

The term "Original Purchaser" as used in this warranty shall be deemed to mean that person, firm, association, or corporation who was billed by the GOLD MEDAL PRODUCTS CO., or their authorized distributor for the equipment.

THIS WARRANTY HAS NO EFFECT AND IS VOID UNLESS THE ORIGINAL PURCHASER FIRST CALLS GOLD MEDAL PRODUCTS CO. AT 1-800-543-0862 TO DISCUSS WITH OUR SERVICE REPRESENTATIVE THE EQUIPMENT PROBLEM, AND, IF NECESSARY, FOR INSTRUCTIONS CONCERNING THE REPAIR OR REPLACEMENT OF PARTS.

*NOTE: This equipment is manufactured and sold for commercial use only.*



**GOLD MEDAL® PRODUCTS CO.**

10700 Medallion Drive, Cincinnati, Ohio 45241-4807 USA

[gmpopcorn.com](http://gmpopcorn.com)

Phone: (800) 543-0862      Fax: (800) 542-1496  
(513) 769-7676              (513) 769-8500