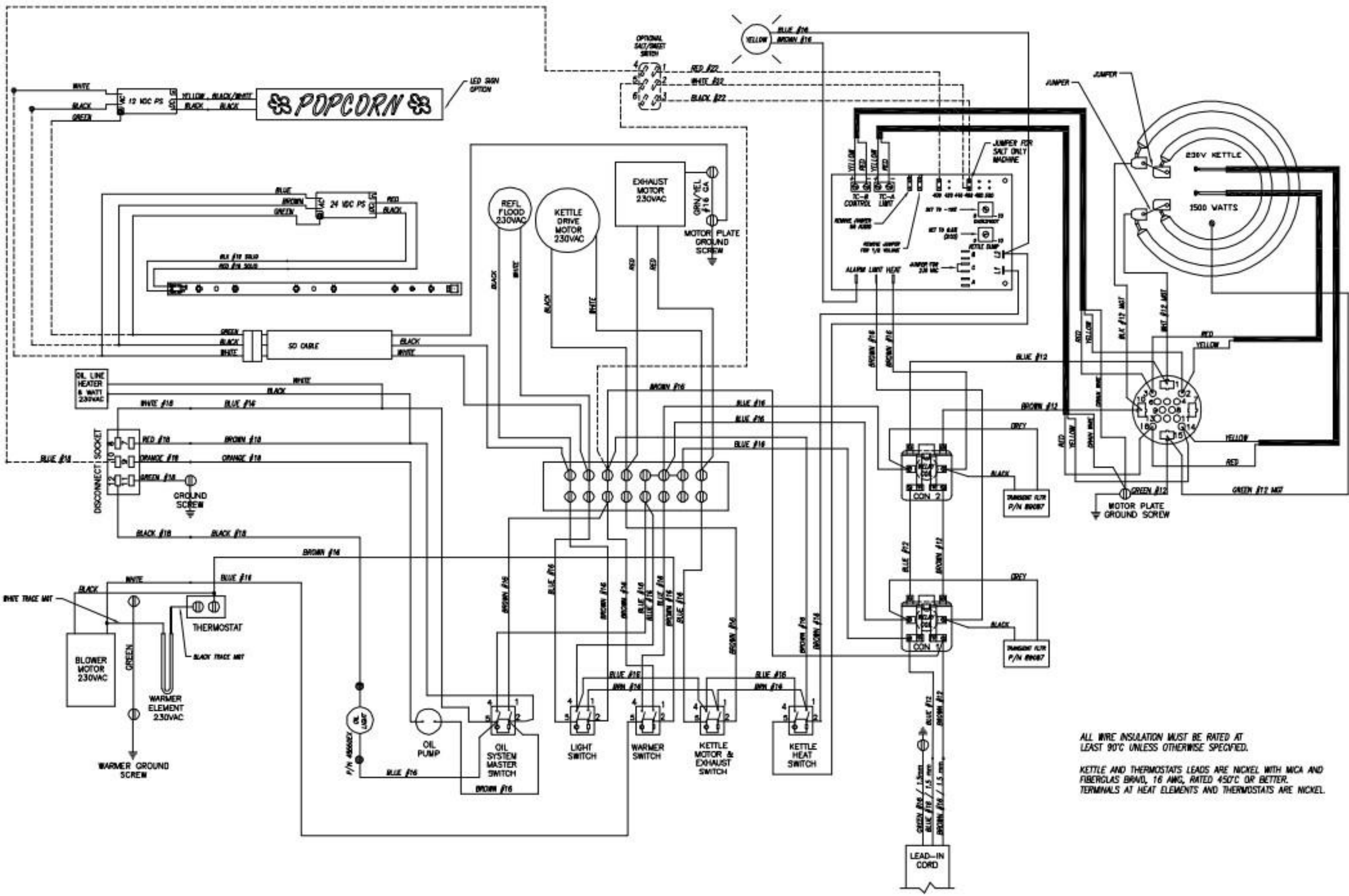
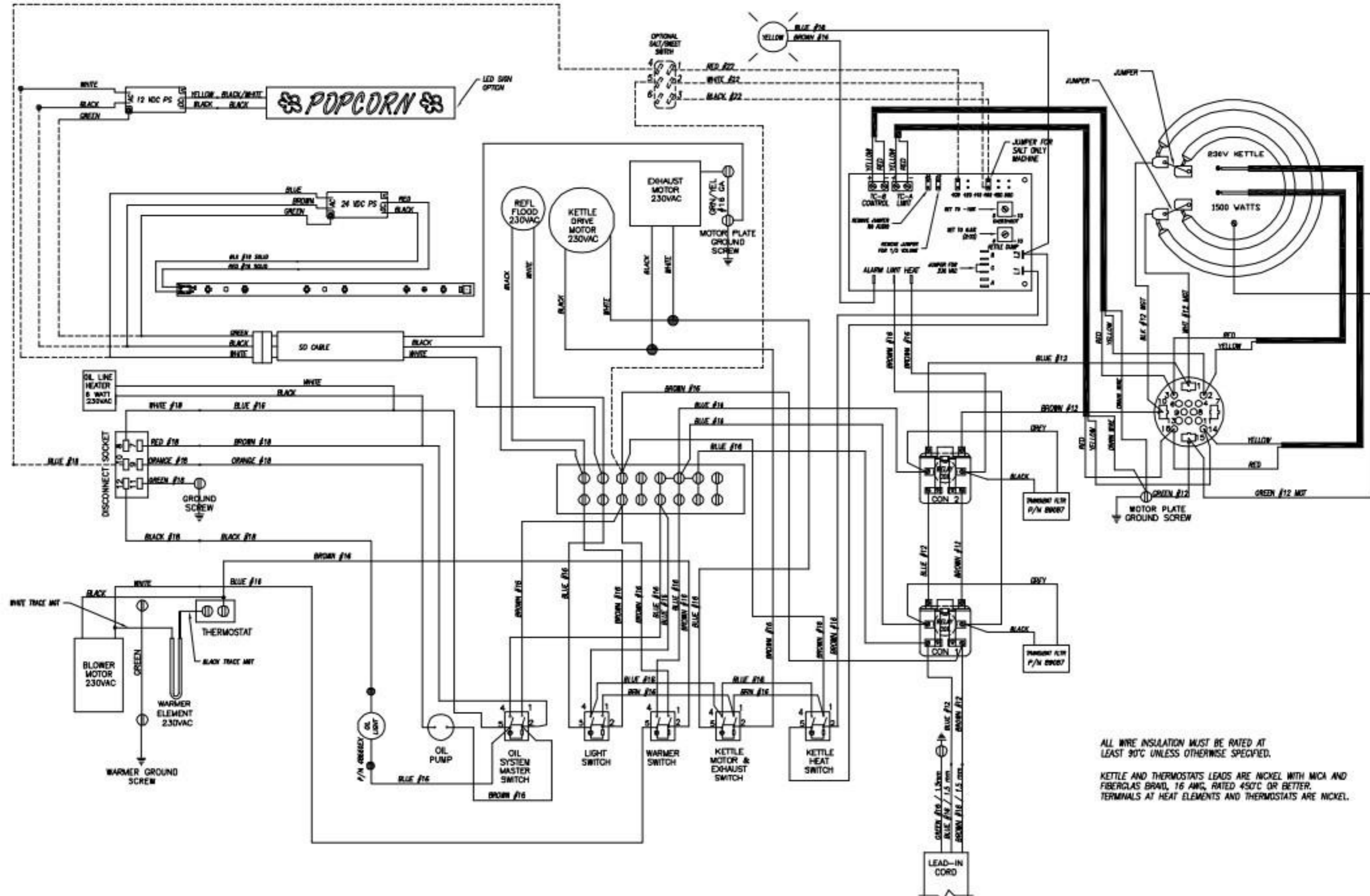


ALL WIRE INSULATION MUST BE RATED AT LEAST 90°C UNLESS OTHERWISE SPECIFIED.

KETTLE AND THERMOSTATS LEADS ARE NICKEL WITH MICA AND FIBERGLAS BRAID, 16 AWG, RATED 450°C OR BETTER. TERMINALS AT HEAT ELEMENTS AND THERMOSTATS ARE NICKEL.





POPCORN

THERMOSTAT

BLOWER MOTOR 230VAC

WARMER ELEMENT 230VAC

REFL FLOOD 230VAC

KETTLE DRIVE MOTOR 230VAC

EXHAUST MOTOR 230VAC

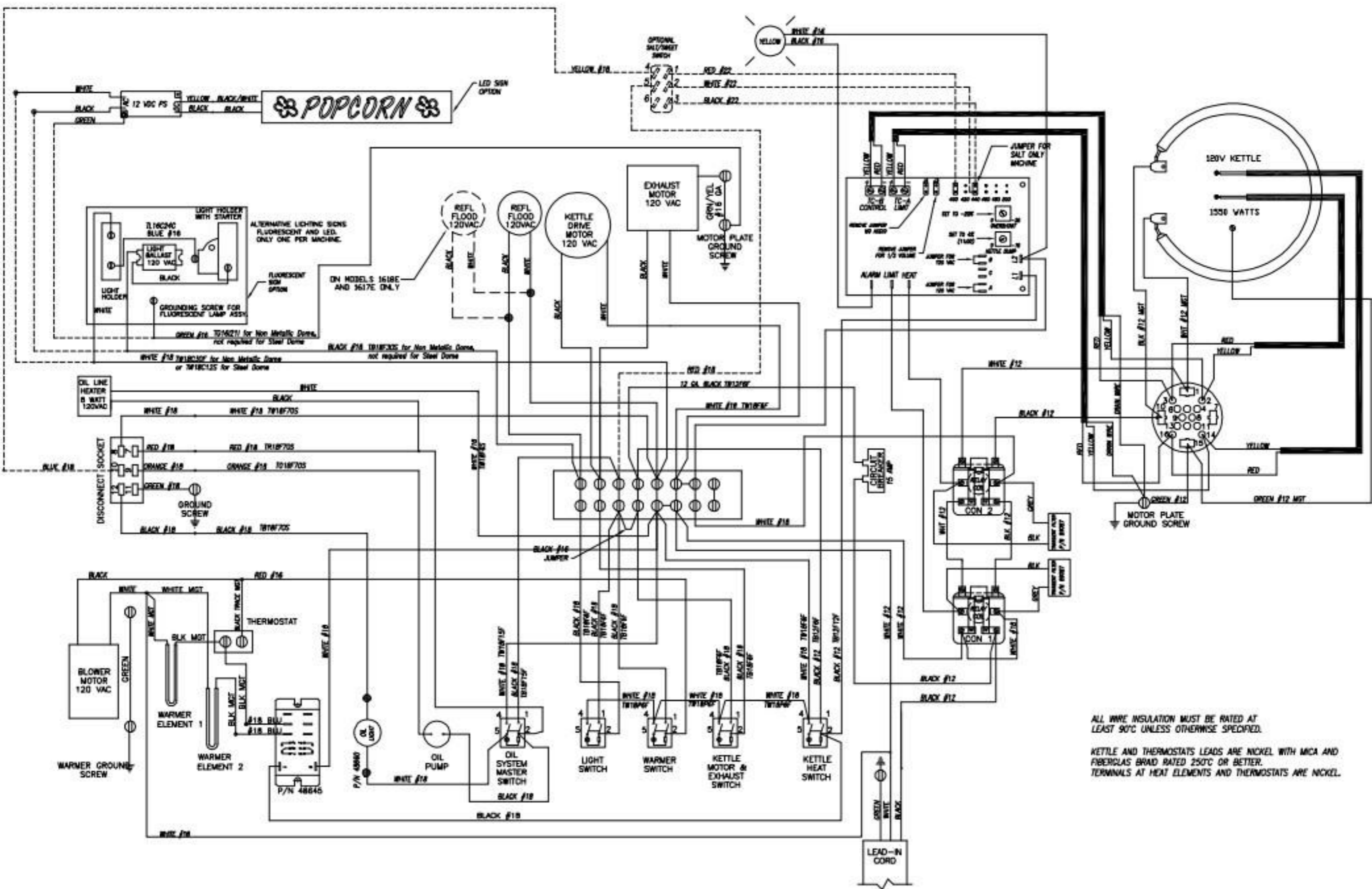
230V KETTLE

1500 WATTS

LEAD-IN CORD

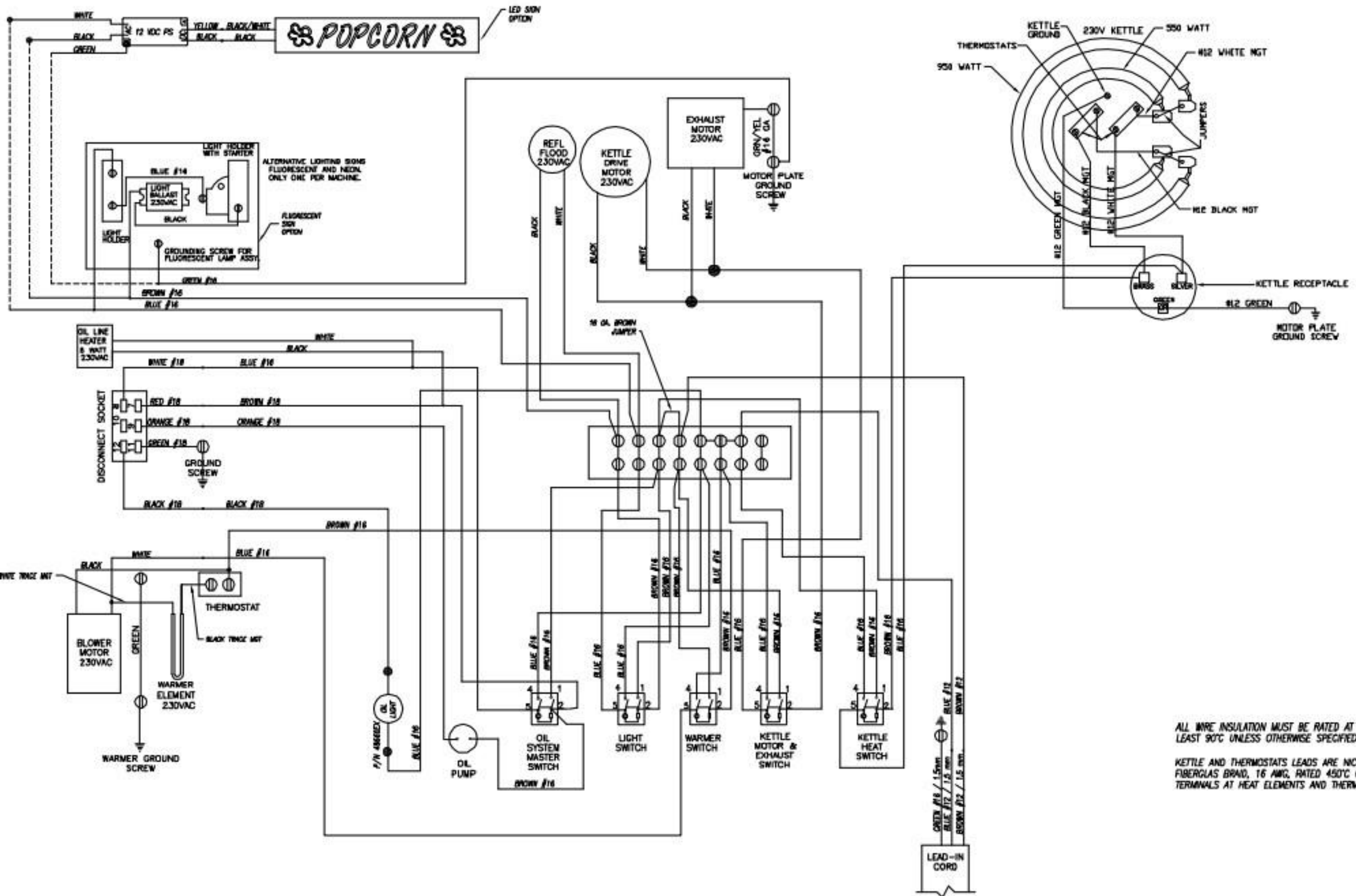
ALL WIRE INSULATION MUST BE RATED AT LEAST 90°C UNLESS OTHERWISE SPECIFIED.

KETTLE AND THERMOSTATS LEADS ARE NICKEL WITH MICA AND FIBERGLAS BRAID, 16 AWG, RATED 450°C OR BETTER. TERMINALS AT HEAT ELEMENTS AND THERMOSTATS ARE NICKEL.



ALL WIRE INSULATION MUST BE RATED AT LEAST 90°C UNLESS OTHERWISE SPECIFIED.

KETTLE AND THERMOSTATS LEADS ARE NICKEL WITH MICA AND FIBERGLAS BRAID RATED 250°C OR BETTER. TERMINALS AT HEAT ELEMENTS AND THERMOSTATS ARE NICKEL.



ALL WIRE INSULATION MUST BE RATED AT LEAST 90°C UNLESS OTHERWISE SPECIFIED.

KETTLE AND THERMOSTATS LEADS ARE NICKEL WITH MCA AND FIBERGLAS Braid, 16 AWG, RATED 450°C OR BETTER. TERMINALS AT HEAT ELEMENTS AND THERMOSTATS ARE NICKEL.

