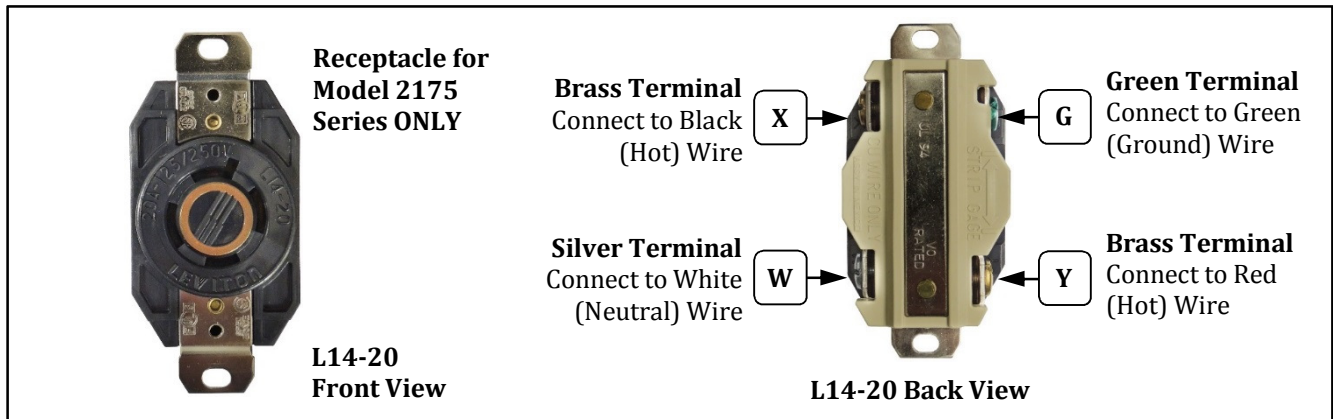




## Receptacle Installation (2175 Series ONLY)

A certified electrician must follow the IMPORTANT instructions below for installation of the L14-20 Receptacle (Gold Medal Item No. 41254) provided with Model 2175 Series units.

If the receptacle is wired incorrectly, the heat elements/kettle and other electrical components could be at 208 or 240 V potential instead of the needed 120 V, resulting in excessive temperatures in the heat elements (i.e.: kettle) and possible fire, and/or damage to electrical components.



## Before You Plug In Machine

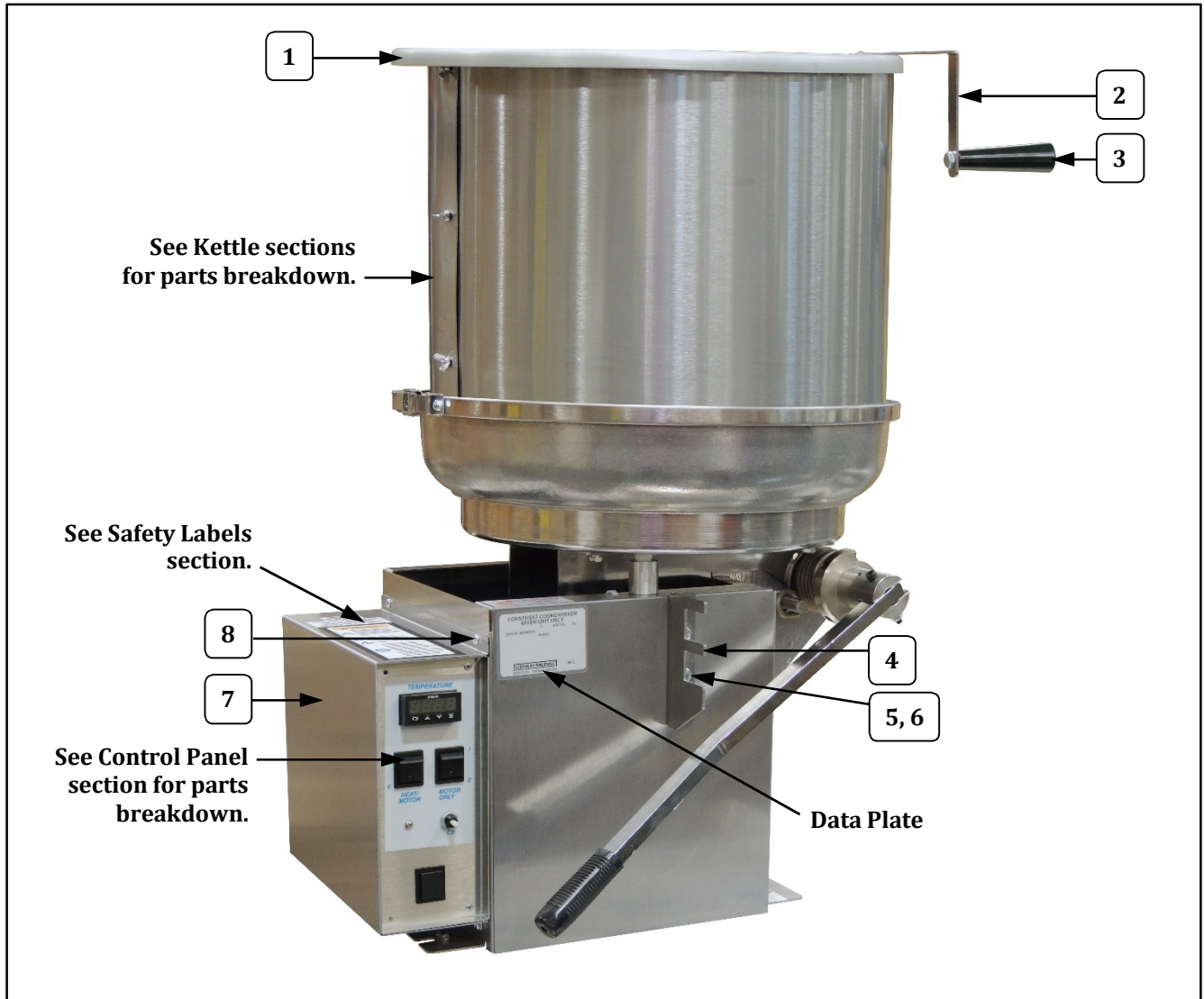
1. Make sure all machine switches are in the OFF position before plugging the equipment into the receptacle.
2. Make sure the wall outlet can accept the grounded plugs (where applicable) on the power supply cord.
3. The wall outlet must have the proper polarity. If in doubt, have a competent electrician inspect the outlet and correct if necessary.
4. DO NOT use a grounded to un-grounded receptacle adapter (where applicable).
5. Install the unit in a level position.

	<b>CAUTION</b>
	If the supply cord is damaged, it must be replaced by Gold Medal Products Co., its service agent or similarly qualified persons in order to avoid a hazard.

039\_080614



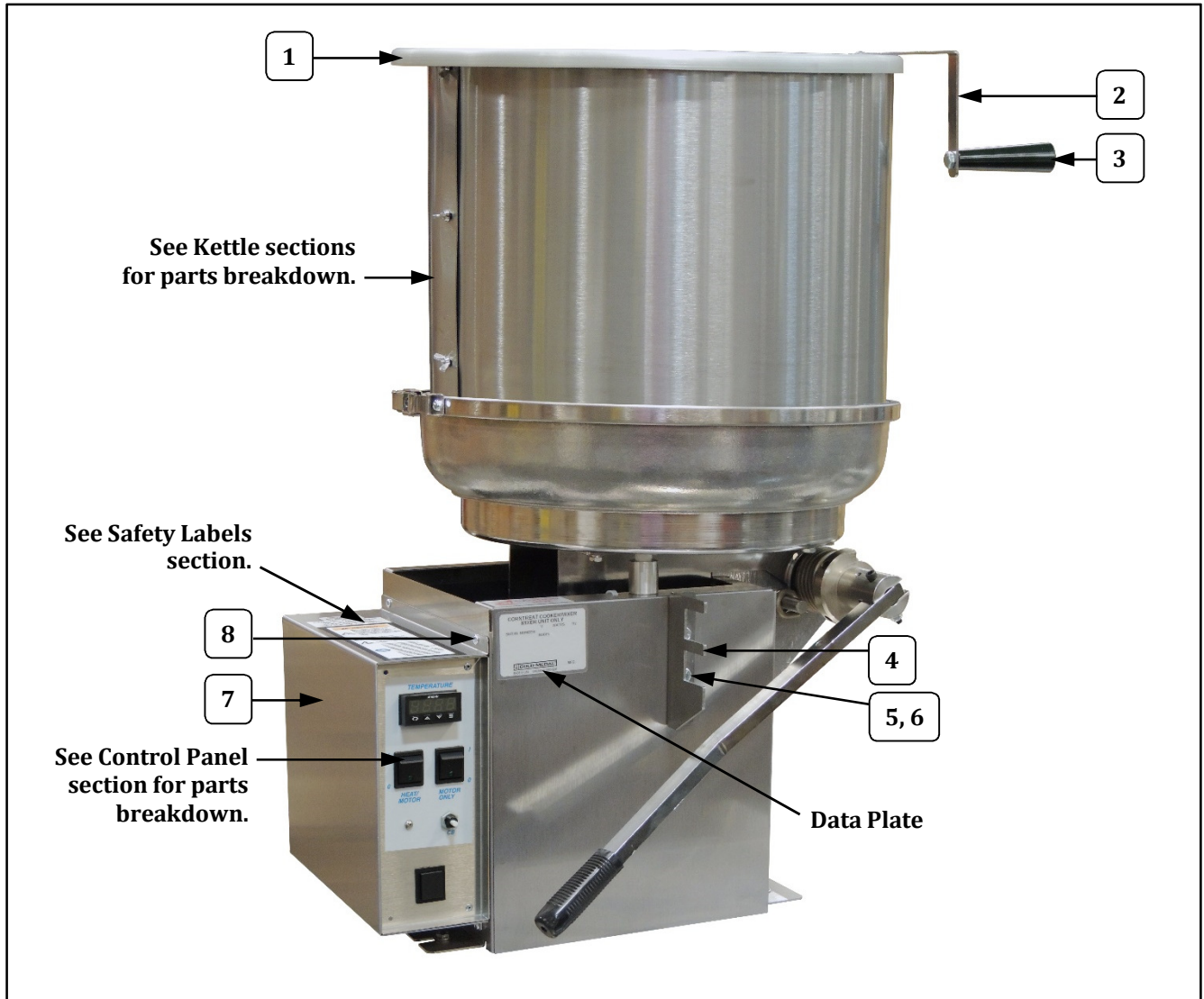
## Cabinet Exterior – Parts Breakdown



Item	Part Description	Part No.
		All Models
1	LID ASSEMBLY (includes handle)	67216
2	HANDLE BRACKET	67182
3	PLASTIC HANDLE	76075
4	2 POSITION BRACKET	46153
5	1/4-20 X 3/4 GRADE 5 BOLT	74520
6	1/4-20 SERRATED LOCK NUT	46311
7	CONTROL BOX COVER	55453
8	8-32 X 1/4 PHIL PAN M/S	87314



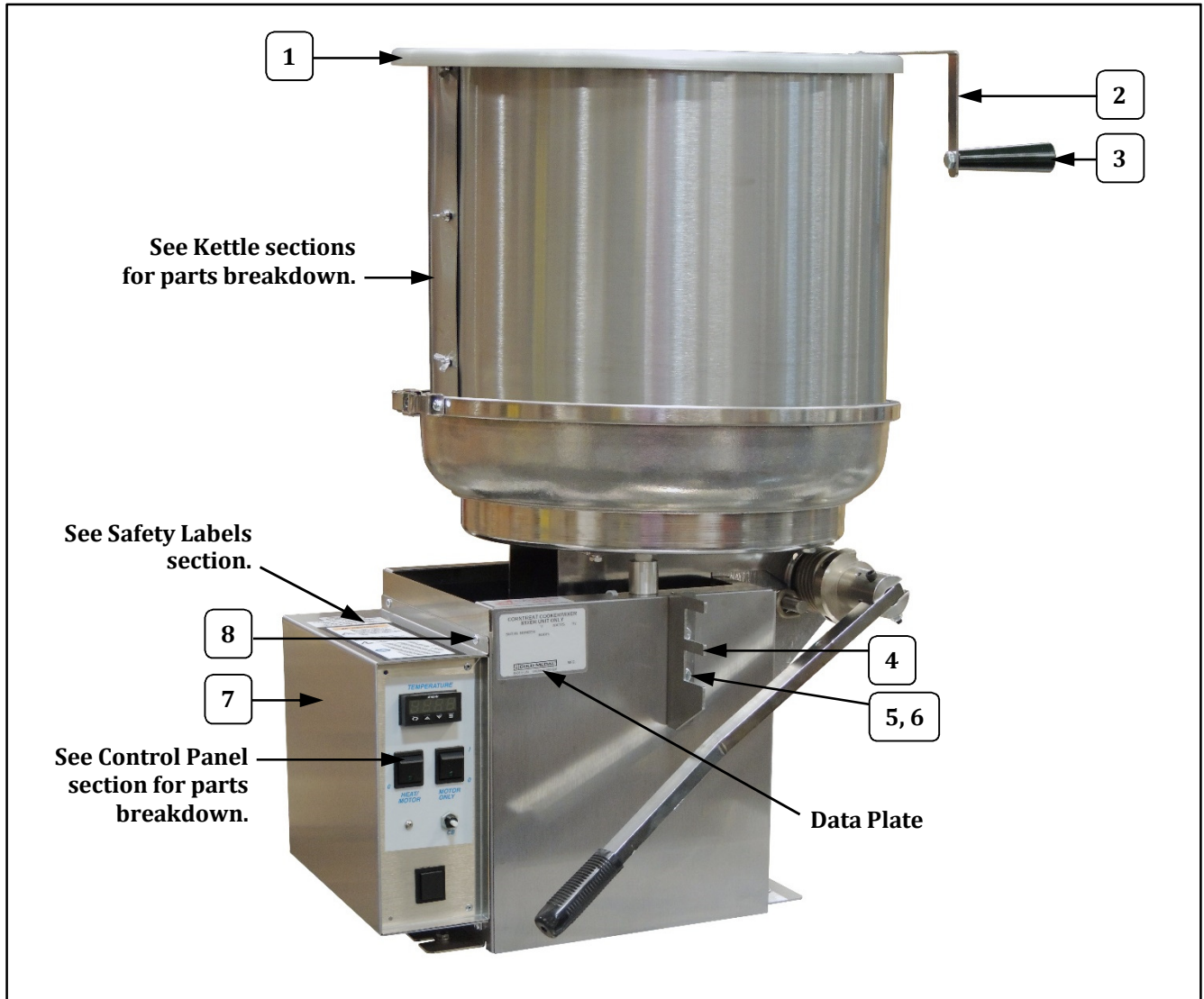
## Cabinet Exterior – Parts Breakdown



Item	Part Description	Part No.
		All Models
1	LID ASSEMBLY (includes handle)	67216
2	HANDLE BRACKET	67182
3	PLASTIC HANDLE	76075
4	2 POSITION BRACKET	46153
5	1/4-20 X 3/4 GRADE 5 BOLT	74520
6	1/4-20 SERRATED LOCK NUT	46311
7	CONTROL BOX COVER	55453
8	8-32 X 1/4 PHIL PAN M/S	87314



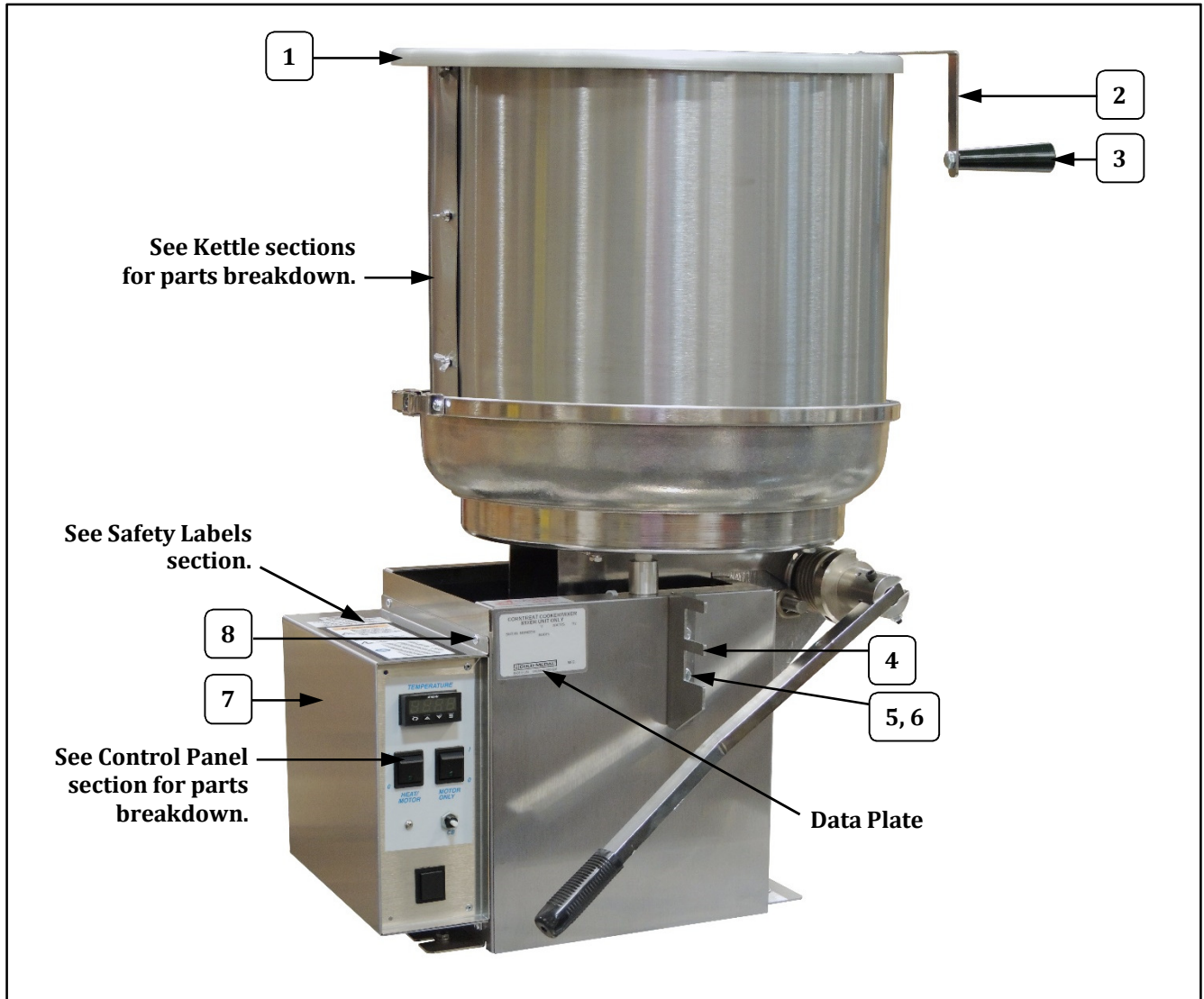
## Cabinet Exterior – Parts Breakdown



Item	Part Description	Part No.
		All Models
1	LID ASSEMBLY (includes handle)	67216
2	HANDLE BRACKET	67182
3	PLASTIC HANDLE	76075
4	2 POSITION BRACKET	46153
5	1/4-20 X 3/4 GRADE 5 BOLT	74520
6	1/4-20 SERRATED LOCK NUT	46311
7	CONTROL BOX COVER	55453
8	8-32 X 1/4 PHIL PAN M/S	87314



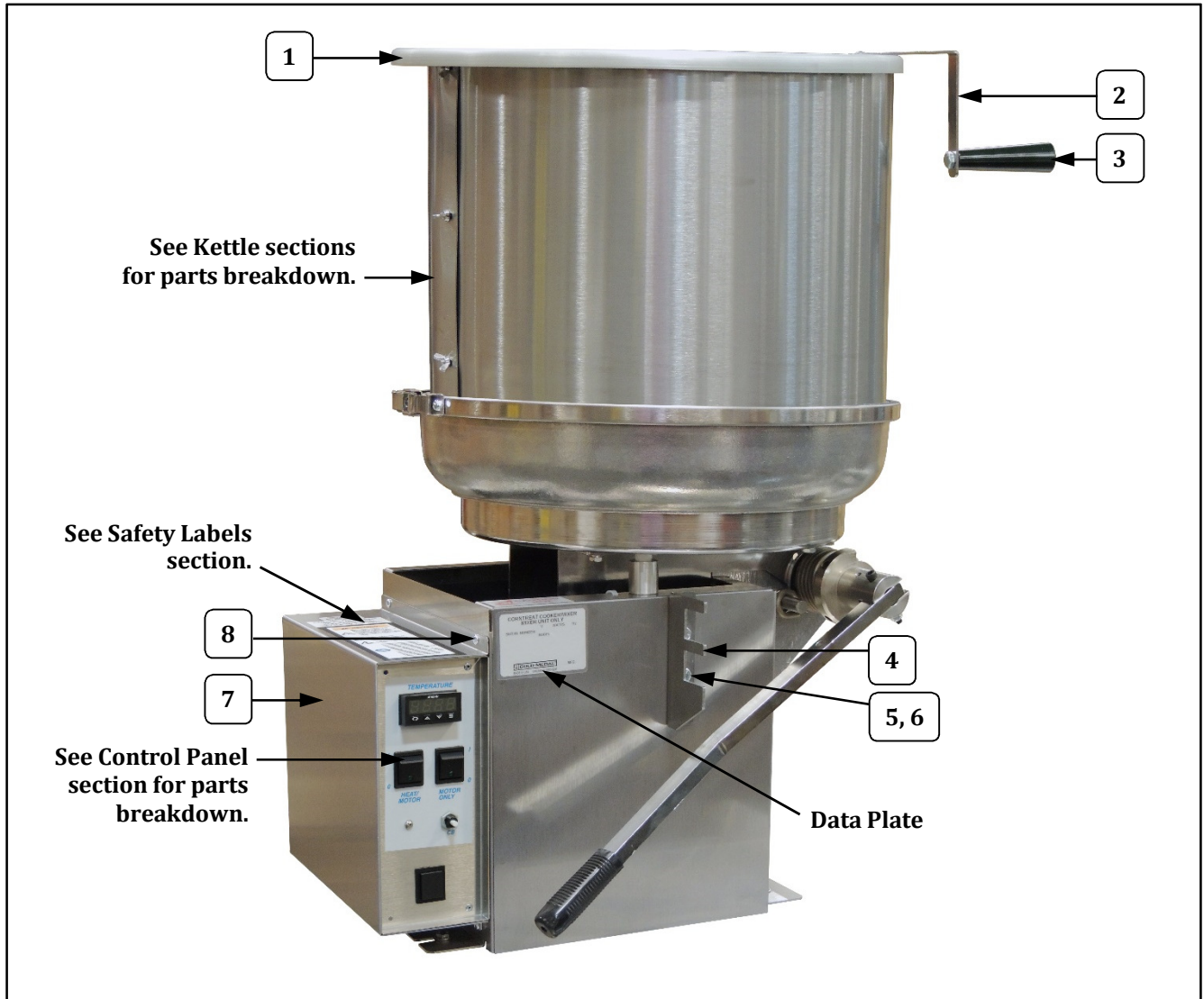
## Cabinet Exterior – Parts Breakdown



Item	Part Description	Part No.
		All Models
1	LID ASSEMBLY (includes handle)	67216
2	HANDLE BRACKET	67182
3	PLASTIC HANDLE	76075
4	2 POSITION BRACKET	46153
5	1/4-20 X 3/4 GRADE 5 BOLT	74520
6	1/4-20 SERRATED LOCK NUT	46311
7	CONTROL BOX COVER	55453
8	8-32 X 1/4 PHIL PAN M/S	87314



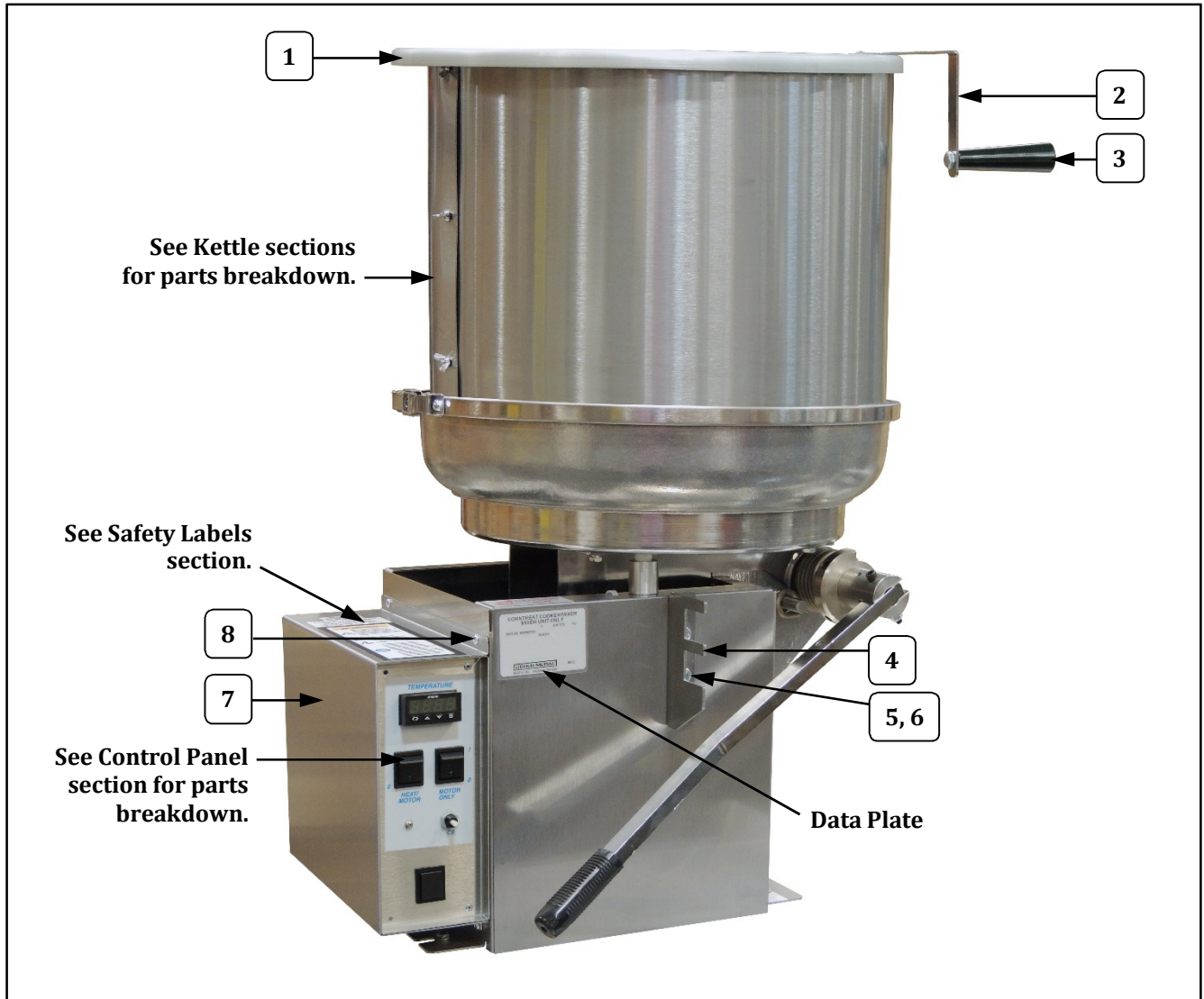
## Cabinet Exterior – Parts Breakdown



Item	Part Description	Part No.
		All Models
1	LID ASSEMBLY (includes handle)	67216
2	HANDLE BRACKET	67182
3	PLASTIC HANDLE	76075
4	2 POSITION BRACKET	46153
5	1/4-20 X 3/4 GRADE 5 BOLT	74520
6	1/4-20 SERRATED LOCK NUT	46311
7	CONTROL BOX COVER	55453
8	8-32 X 1/4 PHIL PAN M/S	87314



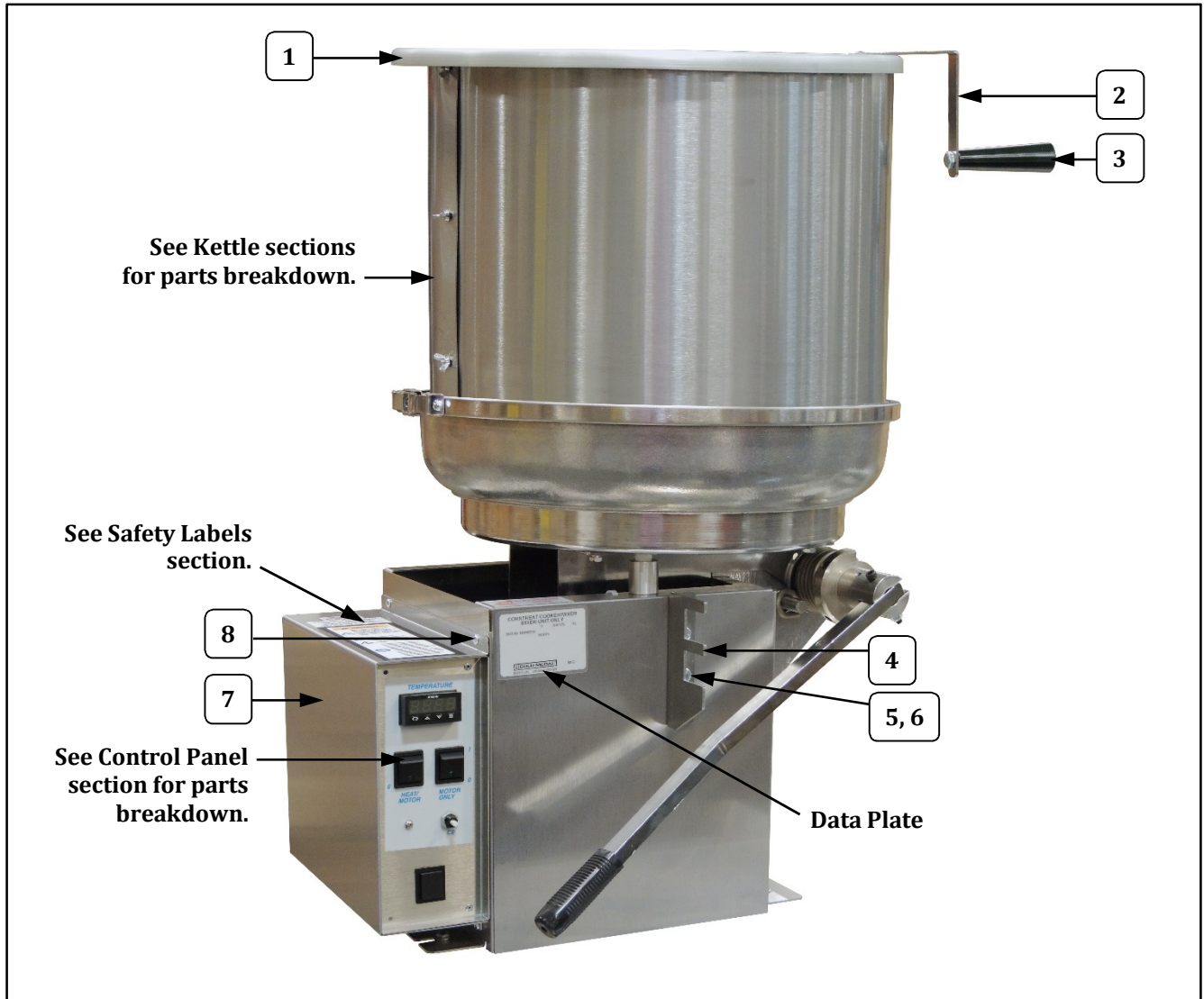
## Cabinet Exterior – Parts Breakdown



Item	Part Description	Part No.
		All Models
1	LID ASSEMBLY (includes handle)	67216
2	HANDLE BRACKET	67182
3	PLASTIC HANDLE	76075
4	2 POSITION BRACKET	46153
5	1/4-20 X 3/4 GRADE 5 BOLT	74520
6	1/4-20 SERRATED LOCK NUT	46311
7	CONTROL BOX COVER	55453
8	8-32 X 1/4 PHIL PAN M/S	87314



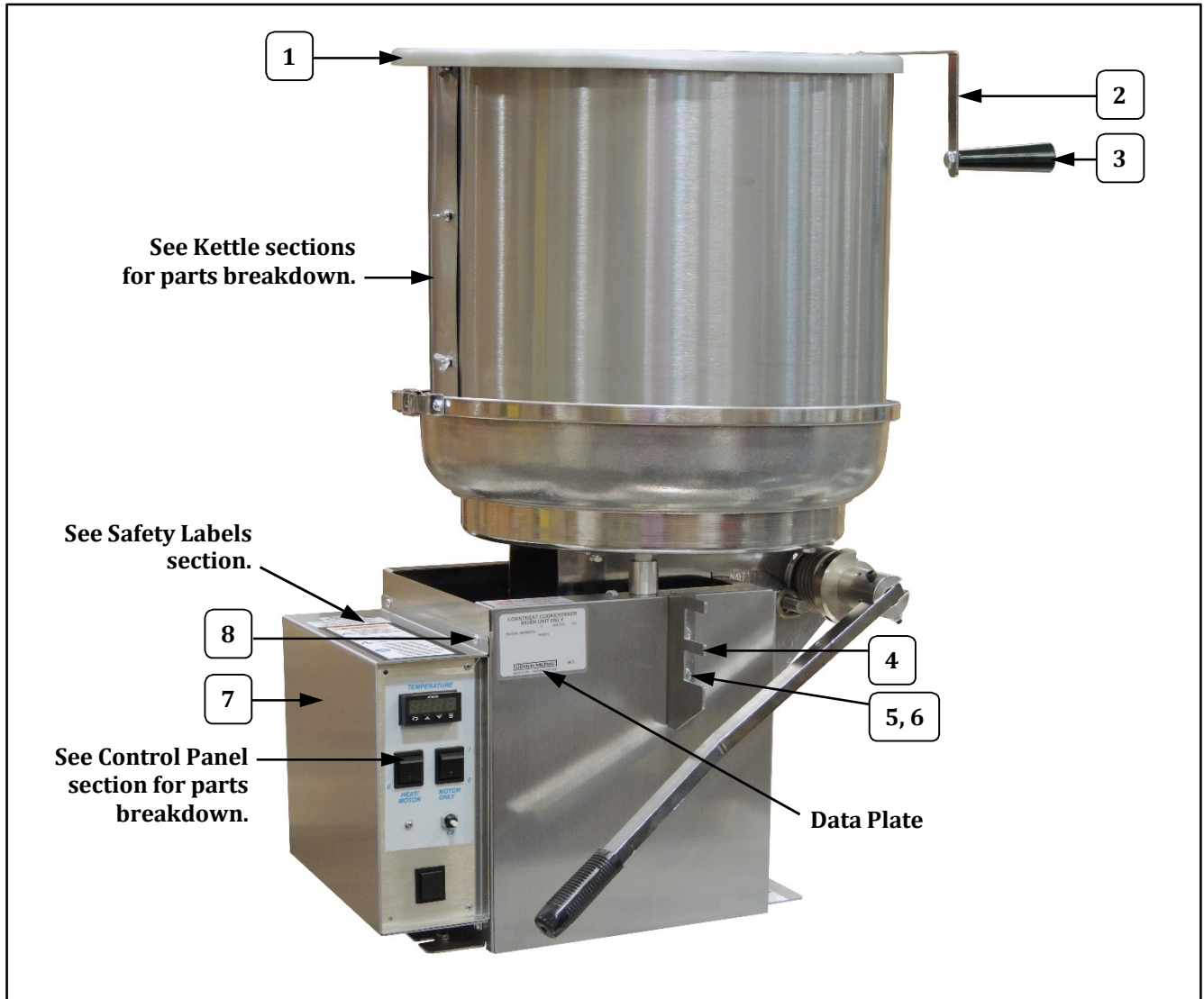
## Cabinet Exterior – Parts Breakdown



Item	Part Description	Part No.
		All Models
1	LID ASSEMBLY (includes handle)	67216
2	HANDLE BRACKET	67182
3	PLASTIC HANDLE	76075
4	2 POSITION BRACKET	46153
5	1/4-20 X 3/4 GRADE 5 BOLT	74520
6	1/4-20 SERRATED LOCK NUT	46311
7	CONTROL BOX COVER	55453
8	8-32 X 1/4 PHIL PAN M/S	87314



## Cabinet Exterior – Parts Breakdown



Item	Part Description	Part No.
		All Models
1	LID ASSEMBLY (includes handle)	67216
2	HANDLE BRACKET	67182
3	PLASTIC HANDLE	76075
4	2 POSITION BRACKET	46153
5	1/4-20 X 3/4 GRADE 5 BOLT	74520
6	1/4-20 SERRATED LOCK NUT	46311
7	CONTROL BOX COVER	55453
8	8-32 X 1/4 PHIL PAN M/S	87314



## Cabinet Exterior/Spring Assembly – Parts List

Item	Part Description	Part No.			
		2174DEL	2174DER	2175DEL	2175DER
1	KETTLE LEAD IN ASSY (includes connectors)	48769	48769	48769	48769
2**	LEAD-IN CORD ASSY.	47580	47580	41034	41034
3	STRAIN RELIEF T&B 3304	82227	82227	82227	82227
4	1/4-20x3/4 BUTTON HD SC	67927	67927	67927	67927
5	HEX NUT 1/4-20 ESLOK	42361	42361	42361	42361
6	KETTLE MTNG BRKT MACHINED	106060	106060	106060	106060
7	SPRING RETAINER ROD	82551	82551	82551	82551
8	SET COLLAR 1/2ID X 7/8OD	47326	47326	47326	47326
9	SET SCREW 1/4-20 X 3/16 (1 req'd. per collar)	47751	47751	47751	47751
10	GRIP, HANDLE BAR	46028	46028	46028	46028
11	TILT LEVER 1/2X3/4 CD BAR	46006	46006	46006	46006
12	1/4-20 SERRATED LOCK NUT (top side of bracket use a 1/4-20 ESLOK Hex Nut)	46311	46311	46311	46311
13	1/4-20X1/2 BUTN HD SCREW	79242	79242	79242	79242
14	KEY (.187 X .187 X 3/4)	12509	12509	12509	12509
15	SET SCREW 1/4-20 X 3/8	74125	74125	74125	74125
16	HUB	16707	16707	16707	16707
17	SOCKET HEAD 1/4-20 SCREW	77893	77893	77893	77893
18	LEFT SPRING & DUMP BAR ASSEMBLY (assembly includes items listed below)	16710		16710	
	RIGHT SPRING & DUMP BAR ASSEMBLY (assembly includes items listed below)		16709		16709
19	COLLAR	74661	74661	74661	74661
20	SET SCREW, 5/16-18 X 5/8 (3 req'd. per collar)	74662	74662	74662	74662
21	TORSION SPRING	74660	74660	74660	74660
22	SPACER	74658	74658	74658	74658
23*	SPACER,LARGE (DUMP SIDE) - Concave side fits up against bracket weld on Dump Bar Shaft	74659	74659	74659	74659
24	RIGHT DUMP BAR WELDMENT		16705		16705
	LEFT DUMP SHAFT WELDMENT	16706		16706	
25	SPACER,LARGE (CUSTOMER SIDE)	74690	74690	74690	74690



## Cabinet Exterior/Spring Assembly – Parts List

Item	Part Description	Part No.			
		2174DEL	2174DER	2175DEL	2175DER
1	KETTLE LEAD IN ASSY (includes connectors)	48769	48769	48769	48769
2**	LEAD-IN CORD ASSY.	47580	47580	41034	41034
3	STRAIN RELIEF T&B 3304	82227	82227	82227	82227
4	1/4-20x3/4 BUTTON HD SC	67927	67927	67927	67927
5	HEX NUT 1/4-20 ESLOK	42361	42361	42361	42361
6	KETTLE MTNG BRKT MACHINED	106060	106060	106060	106060
7	SPRING RETAINER ROD	82551	82551	82551	82551
8	SET COLLAR 1/2ID X 7/8OD	47326	47326	47326	47326
9	SET SCREW 1/4-20 X 3/16 (1 req'd. per collar)	47751	47751	47751	47751
10	GRIP, HANDLE BAR	46028	46028	46028	46028
11	TILT LEVER 1/2X3/4 CD BAR	46006	46006	46006	46006
12	1/4-20 SERRATED LOCK NUT (top side of bracket use a 1/4-20 ESLOK Hex Nut)	46311	46311	46311	46311
13	1/4-20X1/2 BUTN HD SCREW	79242	79242	79242	79242
14	KEY (.187 X .187 X 3/4)	12509	12509	12509	12509
15	SET SCREW 1/4-20 X 3/8	74125	74125	74125	74125
16	HUB	16707	16707	16707	16707
17	SOCKET HEAD 1/4-20 SCREW	77893	77893	77893	77893
18	LEFT SPRING & DUMP BAR ASSEMBLY (assembly includes items listed below)	16710		16710	
	RIGHT SPRING & DUMP BAR ASSEMBLY (assembly includes items listed below)		16709		16709
19	COLLAR	74661	74661	74661	74661
20	SET SCREW, 5/16-18 X 5/8 (3 req'd. per collar)	74662	74662	74662	74662
21	TORSION SPRING	74660	74660	74660	74660
22	SPACER	74658	74658	74658	74658
23*	SPACER,LARGE (DUMP SIDE) - Concave side fits up against bracket weld on Dump Bar Shaft	74659	74659	74659	74659
24	RIGHT DUMP BAR WELDMENT		16705		16705
	LEFT DUMP SHAFT WELDMENT	16706		16706	
25	SPACER,LARGE (CUSTOMER SIDE)	74690	74690	74690	74690



## Cabinet Exterior/Spring Assembly – Parts List

Item	Part Description	Part No.			
		2174DEL	2174DER	2175DEL	2175DER
1	KETTLE LEAD IN ASSY (includes connectors)	48769	48769	48769	48769
2**	LEAD-IN CORD ASSY.	47580	47580	41034	41034
3	STRAIN RELIEF T&B 3304	82227	82227	82227	82227
4	1/4-20x3/4 BUTTON HD SC	67927	67927	67927	67927
5	HEX NUT 1/4-20 ESLOK	42361	42361	42361	42361
6	KETTLE MTNG BRKT MACHINED	106060	106060	106060	106060
7	SPRING RETAINER ROD	82551	82551	82551	82551
8	SET COLLAR 1/2ID X 7/8OD	47326	47326	47326	47326
9	SET SCREW 1/4-20 X 3/16 (1 req'd. per collar)	47751	47751	47751	47751
10	GRIP, HANDLE BAR	46028	46028	46028	46028
11	TILT LEVER 1/2X3/4 CD BAR	46006	46006	46006	46006
12	1/4-20 SERRATED LOCK NUT (top side of bracket use a 1/4-20 ESLOK Hex Nut)	46311	46311	46311	46311
13	1/4-20X1/2 BUTN HD SCREW	79242	79242	79242	79242
14	KEY (.187 X .187 X 3/4)	12509	12509	12509	12509
15	SET SCREW 1/4-20 X 3/8	74125	74125	74125	74125
16	HUB	16707	16707	16707	16707
17	SOCKET HEAD 1/4-20 SCREW	77893	77893	77893	77893
18	LEFT SPRING & DUMP BAR ASSEMBLY (assembly includes items listed below)	16710		16710	
	RIGHT SPRING & DUMP BAR ASSEMBLY (assembly includes items listed below)		16709		16709
19	COLLAR	74661	74661	74661	74661
20	SET SCREW, 5/16-18 X 5/8 (3 req'd. per collar)	74662	74662	74662	74662
21	TORSION SPRING	74660	74660	74660	74660
22	SPACER	74658	74658	74658	74658
23*	SPACER,LARGE (DUMP SIDE) - Concave side fits up against bracket weld on Dump Bar Shaft	74659	74659	74659	74659
24	RIGHT DUMP BAR WELDMENT		16705		16705
	LEFT DUMP SHAFT WELDMENT	16706		16706	
25	SPACER,LARGE (CUSTOMER SIDE)	74690	74690	74690	74690



## Cabinet Exterior/Spring Assembly – Parts List

Item	Part Description	Part No.			
		2174DEL	2174DER	2175DEL	2175DER
1	KETTLE LEAD IN ASSY (includes connectors)	48769	48769	48769	48769
2**	LEAD-IN CORD ASSY.	47580	47580	41034	41034
3	STRAIN RELIEF T&B 3304	82227	82227	82227	82227
4	1/4-20x3/4 BUTTON HD SC	67927	67927	67927	67927
5	HEX NUT 1/4-20 ESLOK	42361	42361	42361	42361
6	KETTLE MTNG BRKT MACHINED	106060	106060	106060	106060
7	SPRING RETAINER ROD	82551	82551	82551	82551
8	SET COLLAR 1/2ID X 7/8OD	47326	47326	47326	47326
9	SET SCREW 1/4-20 X 3/16 (1 req'd. per collar)	47751	47751	47751	47751
10	GRIP, HANDLE BAR	46028	46028	46028	46028
11	TILT LEVER 1/2X3/4 CD BAR	46006	46006	46006	46006
12	1/4-20 SERRATED LOCK NUT (top side of bracket use a 1/4-20 ESLOK Hex Nut)	46311	46311	46311	46311
13	1/4-20X1/2 BUTN HD SCREW	79242	79242	79242	79242
14	KEY (.187 X .187 X 3/4)	12509	12509	12509	12509
15	SET SCREW 1/4-20 X 3/8	74125	74125	74125	74125
16	HUB	16707	16707	16707	16707
17	SOCKET HEAD 1/4-20 SCREW	77893	77893	77893	77893
18	LEFT SPRING & DUMP BAR ASSEMBLY (assembly includes items listed below)	16710		16710	
	RIGHT SPRING & DUMP BAR ASSEMBLY (assembly includes items listed below)		16709		16709
19	COLLAR	74661	74661	74661	74661
20	SET SCREW, 5/16-18 X 5/8 (3 req'd. per collar)	74662	74662	74662	74662
21	TORSION SPRING	74660	74660	74660	74660
22	SPACER	74658	74658	74658	74658
23*	SPACER,LARGE (DUMP SIDE) - Concave side fits up against bracket weld on Dump Bar Shaft	74659	74659	74659	74659
24	RIGHT DUMP BAR WELDMENT		16705		16705
	LEFT DUMP SHAFT WELDMENT	16706		16706	
25	SPACER,LARGE (CUSTOMER SIDE)	74690	74690	74690	74690



## Cabinet Exterior/Spring Assembly – Parts List

Item	Part Description	Part No.			
		2174DEL	2174DER	2175DEL	2175DER
1	KETTLE LEAD IN ASSY (includes connectors)	48769	48769	48769	48769
2**	LEAD-IN CORD ASSY.	47580	47580	41034	41034
3	STRAIN RELIEF T&B 3304	82227	82227	82227	82227
4	1/4-20x3/4 BUTTON HD SC	67927	67927	67927	67927
5	HEX NUT 1/4-20 ESLOK	42361	42361	42361	42361
6	KETTLE MTNG BRKT MACHINED	106060	106060	106060	106060
7	SPRING RETAINER ROD	82551	82551	82551	82551
8	SET COLLAR 1/2ID X 7/8OD	47326	47326	47326	47326
9	SET SCREW 1/4-20 X 3/16 (1 req'd. per collar)	47751	47751	47751	47751
10	GRIP, HANDLE BAR	46028	46028	46028	46028
11	TILT LEVER 1/2X3/4 CD BAR	46006	46006	46006	46006
12	1/4-20 SERRATED LOCK NUT (top side of bracket use a 1/4-20 ESLOK Hex Nut)	46311	46311	46311	46311
13	1/4-20X1/2 BUTN HD SCREW	79242	79242	79242	79242
14	KEY (.187 X .187 X 3/4)	12509	12509	12509	12509
15	SET SCREW 1/4-20 X 3/8	74125	74125	74125	74125
16	HUB	16707	16707	16707	16707
17	SOCKET HEAD 1/4-20 SCREW	77893	77893	77893	77893
18	LEFT SPRING & DUMP BAR ASSEMBLY (assembly includes items listed below)	16710		16710	
	RIGHT SPRING & DUMP BAR ASSEMBLY (assembly includes items listed below)		16709		16709
19	COLLAR	74661	74661	74661	74661
20	SET SCREW, 5/16-18 X 5/8 (3 req'd. per collar)	74662	74662	74662	74662
21	TORSION SPRING	74660	74660	74660	74660
22	SPACER	74658	74658	74658	74658
23*	SPACER,LARGE (DUMP SIDE) - Concave side fits up against bracket weld on Dump Bar Shaft	74659	74659	74659	74659
24	RIGHT DUMP BAR WELDMENT		16705		16705
	LEFT DUMP SHAFT WELDMENT	16706		16706	
25	SPACER,LARGE (CUSTOMER SIDE)	74690	74690	74690	74690



## Cabinet Exterior/Spring Assembly – Parts List

Item	Part Description	Part No.			
		2174DEL	2174DER	2175DEL	2175DER
1	KETTLE LEAD IN ASSY (includes connectors)	48769	48769	48769	48769
2**	LEAD-IN CORD ASSY.	47580	47580	41034	41034
3	STRAIN RELIEF T&B 3304	82227	82227	82227	82227
4	1/4-20x3/4 BUTTON HD SC	67927	67927	67927	67927
5	HEX NUT 1/4-20 ESLOK	42361	42361	42361	42361
6	KETTLE MTNG BRKT MACHINED	106060	106060	106060	106060
7	SPRING RETAINER ROD	82551	82551	82551	82551
8	SET COLLAR 1/2ID X 7/8OD	47326	47326	47326	47326
9	SET SCREW 1/4-20 X 3/16 (1 req'd. per collar)	47751	47751	47751	47751
10	GRIP, HANDLE BAR	46028	46028	46028	46028
11	TILT LEVER 1/2X3/4 CD BAR	46006	46006	46006	46006
12	1/4-20 SERRATED LOCK NUT (top side of bracket use a 1/4-20 ESLOK Hex Nut)	46311	46311	46311	46311
13	1/4-20X1/2 BUTN HD SCREW	79242	79242	79242	79242
14	KEY (.187 X .187 X 3/4)	12509	12509	12509	12509
15	SET SCREW 1/4-20 X 3/8	74125	74125	74125	74125
16	HUB	16707	16707	16707	16707
17	SOCKET HEAD 1/4-20 SCREW	77893	77893	77893	77893
18	LEFT SPRING & DUMP BAR ASSEMBLY (assembly includes items listed below)	16710		16710	
	RIGHT SPRING & DUMP BAR ASSEMBLY (assembly includes items listed below)		16709		16709
19	COLLAR	74661	74661	74661	74661
20	SET SCREW, 5/16-18 X 5/8 (3 req'd. per collar)	74662	74662	74662	74662
21	TORSION SPRING	74660	74660	74660	74660
22	SPACER	74658	74658	74658	74658
23*	SPACER,LARGE (DUMP SIDE) - Concave side fits up against bracket weld on Dump Bar Shaft	74659	74659	74659	74659
24	RIGHT DUMP BAR WELDMENT		16705		16705
	LEFT DUMP SHAFT WELDMENT	16706		16706	
25	SPACER,LARGE (CUSTOMER SIDE)	74690	74690	74690	74690



## Cabinet Exterior/Spring Assembly – Parts List

Item	Part Description	Part No.			
		2174DEL	2174DER	2175DEL	2175DER
1	KETTLE LEAD IN ASSY (includes connectors)	48769	48769	48769	48769
2**	LEAD-IN CORD ASSY.	47580	47580	41034	41034
3	STRAIN RELIEF T&B 3304	82227	82227	82227	82227
4	1/4-20x3/4 BUTTON HD SC	67927	67927	67927	67927
5	HEX NUT 1/4-20 ESLOK	42361	42361	42361	42361
6	KETTLE MTNG BRKT MACHINED	106060	106060	106060	106060
7	SPRING RETAINER ROD	82551	82551	82551	82551
8	SET COLLAR 1/2ID X 7/8OD	47326	47326	47326	47326
9	SET SCREW 1/4-20 X 3/16 (1 req'd. per collar)	47751	47751	47751	47751
10	GRIP, HANDLE BAR	46028	46028	46028	46028
11	TILT LEVER 1/2X3/4 CD BAR	46006	46006	46006	46006
12	1/4-20 SERRATED LOCK NUT (top side of bracket use a 1/4-20 ESLOK Hex Nut)	46311	46311	46311	46311
13	1/4-20X1/2 BUTN HD SCREW	79242	79242	79242	79242
14	KEY (.187 X .187 X 3/4)	12509	12509	12509	12509
15	SET SCREW 1/4-20 X 3/8	74125	74125	74125	74125
16	HUB	16707	16707	16707	16707
17	SOCKET HEAD 1/4-20 SCREW	77893	77893	77893	77893
18	LEFT SPRING & DUMP BAR ASSEMBLY (assembly includes items listed below)	16710		16710	
	RIGHT SPRING & DUMP BAR ASSEMBLY (assembly includes items listed below)		16709		16709
19	COLLAR	74661	74661	74661	74661
20	SET SCREW, 5/16-18 X 5/8 (3 req'd. per collar)	74662	74662	74662	74662
21	TORSION SPRING	74660	74660	74660	74660
22	SPACER	74658	74658	74658	74658
23*	SPACER,LARGE (DUMP SIDE) - Concave side fits up against bracket weld on Dump Bar Shaft	74659	74659	74659	74659
24	RIGHT DUMP BAR WELDMENT		16705		16705
	LEFT DUMP SHAFT WELDMENT	16706		16706	
25	SPACER,LARGE (CUSTOMER SIDE)	74690	74690	74690	74690



## Cabinet Exterior/Spring Assembly – Parts List

Item	Part Description	Part No.			
		2174DEL	2174DER	2175DEL	2175DER
1	KETTLE LEAD IN ASSY (includes connectors)	48769	48769	48769	48769
2**	LEAD-IN CORD ASSY.	47580	47580	41034	41034
3	STRAIN RELIEF T&B 3304	82227	82227	82227	82227
4	1/4-20x3/4 BUTTON HD SC	67927	67927	67927	67927
5	HEX NUT 1/4-20 ESLOK	42361	42361	42361	42361
6	KETTLE MTNG BRKT MACHINED	106060	106060	106060	106060
7	SPRING RETAINER ROD	82551	82551	82551	82551
8	SET COLLAR 1/2ID X 7/8OD	47326	47326	47326	47326
9	SET SCREW 1/4-20 X 3/16 (1 req'd. per collar)	47751	47751	47751	47751
10	GRIP, HANDLE BAR	46028	46028	46028	46028
11	TILT LEVER 1/2X3/4 CD BAR	46006	46006	46006	46006
12	1/4-20 SERRATED LOCK NUT (top side of bracket use a 1/4-20 ESLOK Hex Nut)	46311	46311	46311	46311
13	1/4-20X1/2 BUTN HD SCREW	79242	79242	79242	79242
14	KEY (.187 X .187 X 3/4)	12509	12509	12509	12509
15	SET SCREW 1/4-20 X 3/8	74125	74125	74125	74125
16	HUB	16707	16707	16707	16707
17	SOCKET HEAD 1/4-20 SCREW	77893	77893	77893	77893
18	LEFT SPRING & DUMP BAR ASSEMBLY (assembly includes items listed below)	16710		16710	
	RIGHT SPRING & DUMP BAR ASSEMBLY (assembly includes items listed below)		16709		16709
19	COLLAR	74661	74661	74661	74661
20	SET SCREW, 5/16-18 X 5/8 (3 req'd. per collar)	74662	74662	74662	74662
21	TORSION SPRING	74660	74660	74660	74660
22	SPACER	74658	74658	74658	74658
23*	SPACER,LARGE (DUMP SIDE) - Concave side fits up against bracket weld on Dump Bar Shaft	74659	74659	74659	74659
24	RIGHT DUMP BAR WELDMENT		16705		16705
	LEFT DUMP SHAFT WELDMENT	16706		16706	
25	SPACER,LARGE (CUSTOMER SIDE)	74690	74690	74690	74690



## Cabinet Exterior/Spring Assembly – Parts List

Item	Part Description	Part No.			
		2174DEL	2174DER	2175DEL	2175DER
1	KETTLE LEAD IN ASSY (includes connectors)	48769	48769	48769	48769
2**	LEAD-IN CORD ASSY.	47580	47580	41034	41034
3	STRAIN RELIEF T&B 3304	82227	82227	82227	82227
4	1/4-20x3/4 BUTTON HD SC	67927	67927	67927	67927
5	HEX NUT 1/4-20 ESLOK	42361	42361	42361	42361
6	KETTLE MTNG BRKT MACHINED	106060	106060	106060	106060
7	SPRING RETAINER ROD	82551	82551	82551	82551
8	SET COLLAR 1/2ID X 7/8OD	47326	47326	47326	47326
9	SET SCREW 1/4-20 X 3/16 (1 req'd. per collar)	47751	47751	47751	47751
10	GRIP, HANDLE BAR	46028	46028	46028	46028
11	TILT LEVER 1/2X3/4 CD BAR	46006	46006	46006	46006
12	1/4-20 SERRATED LOCK NUT (top side of bracket use a 1/4-20 ESLOK Hex Nut)	46311	46311	46311	46311
13	1/4-20X1/2 BUTN HD SCREW	79242	79242	79242	79242
14	KEY (.187 X .187 X 3/4)	12509	12509	12509	12509
15	SET SCREW 1/4-20 X 3/8	74125	74125	74125	74125
16	HUB	16707	16707	16707	16707
17	SOCKET HEAD 1/4-20 SCREW	77893	77893	77893	77893
18	LEFT SPRING & DUMP BAR ASSEMBLY (assembly includes items listed below)	16710		16710	
	RIGHT SPRING & DUMP BAR ASSEMBLY (assembly includes items listed below)		16709		16709
19	COLLAR	74661	74661	74661	74661
20	SET SCREW, 5/16-18 X 5/8 (3 req'd. per collar)	74662	74662	74662	74662
21	TORSION SPRING	74660	74660	74660	74660
22	SPACER	74658	74658	74658	74658
23*	SPACER,LARGE (DUMP SIDE) - Concave side fits up against bracket weld on Dump Bar Shaft	74659	74659	74659	74659
24	RIGHT DUMP BAR WELDMENT		16705		16705
	LEFT DUMP SHAFT WELDMENT	16706		16706	
25	SPACER,LARGE (CUSTOMER SIDE)	74690	74690	74690	74690



## Cabinet Exterior/Spring Assembly – Parts List

Item	Part Description	Part No.			
		2174DEL	2174DER	2175DEL	2175DER
1	KETTLE LEAD IN ASSY (includes connectors)	48769	48769	48769	48769
2**	LEAD-IN CORD ASSY.	47580	47580	41034	41034
3	STRAIN RELIEF T&B 3304	82227	82227	82227	82227
4	1/4-20x3/4 BUTTON HD SC	67927	67927	67927	67927
5	HEX NUT 1/4-20 ESLOK	42361	42361	42361	42361
6	KETTLE MTNG BRKT MACHINED	106060	106060	106060	106060
7	SPRING RETAINER ROD	82551	82551	82551	82551
8	SET COLLAR 1/2ID X 7/8OD	47326	47326	47326	47326
9	SET SCREW 1/4-20 X 3/16 (1 req'd. per collar)	47751	47751	47751	47751
10	GRIP, HANDLE BAR	46028	46028	46028	46028
11	TILT LEVER 1/2X3/4 CD BAR	46006	46006	46006	46006
12	1/4-20 SERRATED LOCK NUT (top side of bracket use a 1/4-20 ESLOK Hex Nut)	46311	46311	46311	46311
13	1/4-20X1/2 BUTN HD SCREW	79242	79242	79242	79242
14	KEY (.187 X .187 X 3/4)	12509	12509	12509	12509
15	SET SCREW 1/4-20 X 3/8	74125	74125	74125	74125
16	HUB	16707	16707	16707	16707
17	SOCKET HEAD 1/4-20 SCREW	77893	77893	77893	77893
18	LEFT SPRING & DUMP BAR ASSEMBLY (assembly includes items listed below)	16710		16710	
	RIGHT SPRING & DUMP BAR ASSEMBLY (assembly includes items listed below)		16709		16709
19	COLLAR	74661	74661	74661	74661
20	SET SCREW, 5/16-18 X 5/8 (3 req'd. per collar)	74662	74662	74662	74662
21	TORSION SPRING	74660	74660	74660	74660
22	SPACER	74658	74658	74658	74658
23*	SPACER,LARGE (DUMP SIDE) - Concave side fits up against bracket weld on Dump Bar Shaft	74659	74659	74659	74659
24	RIGHT DUMP BAR WELDMENT		16705		16705
	LEFT DUMP SHAFT WELDMENT	16706		16706	
25	SPACER,LARGE (CUSTOMER SIDE)	74690	74690	74690	74690



## Cabinet Exterior/Spring Assembly – Parts List

Item	Part Description	Part No.			
		2174DEL	2174DER	2175DEL	2175DER
1	KETTLE LEAD IN ASSY (includes connectors)	48769	48769	48769	48769
2**	LEAD-IN CORD ASSY.	47580	47580	41034	41034
3	STRAIN RELIEF T&B 3304	82227	82227	82227	82227
4	1/4-20x3/4 BUTTON HD SC	67927	67927	67927	67927
5	HEX NUT 1/4-20 ESLOK	42361	42361	42361	42361
6	KETTLE MTNG BRKT MACHINED	106060	106060	106060	106060
7	SPRING RETAINER ROD	82551	82551	82551	82551
8	SET COLLAR 1/2ID X 7/8OD	47326	47326	47326	47326
9	SET SCREW 1/4-20 X 3/16 (1 req'd. per collar)	47751	47751	47751	47751
10	GRIP, HANDLE BAR	46028	46028	46028	46028
11	TILT LEVER 1/2X3/4 CD BAR	46006	46006	46006	46006
12	1/4-20 SERRATED LOCK NUT (top side of bracket use a 1/4-20 ESLOK Hex Nut)	46311	46311	46311	46311
13	1/4-20X1/2 BUTN HD SCREW	79242	79242	79242	79242
14	KEY (.187 X .187 X 3/4)	12509	12509	12509	12509
15	SET SCREW 1/4-20 X 3/8	74125	74125	74125	74125
16	HUB	16707	16707	16707	16707
17	SOCKET HEAD 1/4-20 SCREW	77893	77893	77893	77893
18	LEFT SPRING & DUMP BAR ASSEMBLY (assembly includes items listed below)	16710		16710	
	RIGHT SPRING & DUMP BAR ASSEMBLY (assembly includes items listed below)		16709		16709
19	COLLAR	74661	74661	74661	74661
20	SET SCREW, 5/16-18 X 5/8 (3 req'd. per collar)	74662	74662	74662	74662
21	TORSION SPRING	74660	74660	74660	74660
22	SPACER	74658	74658	74658	74658
23*	SPACER,LARGE (DUMP SIDE) - Concave side fits up against bracket weld on Dump Bar Shaft	74659	74659	74659	74659
24	RIGHT DUMP BAR WELDMENT		16705		16705
	LEFT DUMP SHAFT WELDMENT	16706		16706	
25	SPACER,LARGE (CUSTOMER SIDE)	74690	74690	74690	74690



## Cabinet Exterior/Spring Assembly – Parts List

Item	Part Description	Part No.			
		2174DEL	2174DER	2175DEL	2175DER
1	KETTLE LEAD IN ASSY (includes connectors)	48769	48769	48769	48769
2**	LEAD-IN CORD ASSY.	47580	47580	41034	41034
3	STRAIN RELIEF T&B 3304	82227	82227	82227	82227
4	1/4-20x3/4 BUTTON HD SC	67927	67927	67927	67927
5	HEX NUT 1/4-20 ESLOK	42361	42361	42361	42361
6	KETTLE MTNG BRKT MACHINED	106060	106060	106060	106060
7	SPRING RETAINER ROD	82551	82551	82551	82551
8	SET COLLAR 1/2ID X 7/8OD	47326	47326	47326	47326
9	SET SCREW 1/4-20 X 3/16 (1 req'd. per collar)	47751	47751	47751	47751
10	GRIP, HANDLE BAR	46028	46028	46028	46028
11	TILT LEVER 1/2X3/4 CD BAR	46006	46006	46006	46006
12	1/4-20 SERRATED LOCK NUT (top side of bracket use a 1/4-20 ESLOK Hex Nut)	46311	46311	46311	46311
13	1/4-20X1/2 BUTN HD SCREW	79242	79242	79242	79242
14	KEY (.187 X .187 X 3/4)	12509	12509	12509	12509
15	SET SCREW 1/4-20 X 3/8	74125	74125	74125	74125
16	HUB	16707	16707	16707	16707
17	SOCKET HEAD 1/4-20 SCREW	77893	77893	77893	77893
18	LEFT SPRING & DUMP BAR ASSEMBLY (assembly includes items listed below)	16710		16710	
	RIGHT SPRING & DUMP BAR ASSEMBLY (assembly includes items listed below)		16709		16709
19	COLLAR	74661	74661	74661	74661
20	SET SCREW, 5/16-18 X 5/8 (3 req'd. per collar)	74662	74662	74662	74662
21	TORSION SPRING	74660	74660	74660	74660
22	SPACER	74658	74658	74658	74658
23*	SPACER,LARGE (DUMP SIDE) - Concave side fits up against bracket weld on Dump Bar Shaft	74659	74659	74659	74659
24	RIGHT DUMP BAR WELDMENT		16705		16705
	LEFT DUMP SHAFT WELDMENT	16706		16706	
25	SPACER,LARGE (CUSTOMER SIDE)	74690	74690	74690	74690



## Cabinet Exterior/Spring Assembly – Parts List

Item	Part Description	Part No.			
		2174DEL	2174DER	2175DEL	2175DER
1	KETTLE LEAD IN ASSY (includes connectors)	48769	48769	48769	48769
2**	LEAD-IN CORD ASSY.	47580	47580	41034	41034
3	STRAIN RELIEF T&B 3304	82227	82227	82227	82227
4	1/4-20x3/4 BUTTON HD SC	67927	67927	67927	67927
5	HEX NUT 1/4-20 ESLOK	42361	42361	42361	42361
6	KETTLE MTNG BRKT MACHINED	106060	106060	106060	106060
7	SPRING RETAINER ROD	82551	82551	82551	82551
8	SET COLLAR 1/2ID X 7/8OD	47326	47326	47326	47326
9	SET SCREW 1/4-20 X 3/16 (1 req'd. per collar)	47751	47751	47751	47751
10	GRIP, HANDLE BAR	46028	46028	46028	46028
11	TILT LEVER 1/2X3/4 CD BAR	46006	46006	46006	46006
12	1/4-20 SERRATED LOCK NUT (top side of bracket use a 1/4-20 ESLOK Hex Nut)	46311	46311	46311	46311
13	1/4-20X1/2 BUTN HD SCREW	79242	79242	79242	79242
14	KEY (.187 X .187 X 3/4)	12509	12509	12509	12509
15	SET SCREW 1/4-20 X 3/8	74125	74125	74125	74125
16	HUB	16707	16707	16707	16707
17	SOCKET HEAD 1/4-20 SCREW	77893	77893	77893	77893
18	LEFT SPRING & DUMP BAR ASSEMBLY (assembly includes items listed below)	16710		16710	
	RIGHT SPRING & DUMP BAR ASSEMBLY (assembly includes items listed below)		16709		16709
19	COLLAR	74661	74661	74661	74661
20	SET SCREW, 5/16-18 X 5/8 (3 req'd. per collar)	74662	74662	74662	74662
21	TORSION SPRING	74660	74660	74660	74660
22	SPACER	74658	74658	74658	74658
23*	SPACER,LARGE (DUMP SIDE) - Concave side fits up against bracket weld on Dump Bar Shaft	74659	74659	74659	74659
24	RIGHT DUMP BAR WELDMENT		16705		16705
	LEFT DUMP SHAFT WELDMENT	16706		16706	
25	SPACER,LARGE (CUSTOMER SIDE)	74690	74690	74690	74690



## Cabinet Exterior/Spring Assembly – Parts List

Item	Part Description	Part No.			
		2174DEL	2174DER	2175DEL	2175DER
1	KETTLE LEAD IN ASSY (includes connectors)	48769	48769	48769	48769
2**	LEAD-IN CORD ASSY.	47580	47580	41034	41034
3	STRAIN RELIEF T&B 3304	82227	82227	82227	82227
4	1/4-20x3/4 BUTTON HD SC	67927	67927	67927	67927
5	HEX NUT 1/4-20 ESLOK	42361	42361	42361	42361
6	KETTLE MTNG BRKT MACHINED	106060	106060	106060	106060
7	SPRING RETAINER ROD	82551	82551	82551	82551
8	SET COLLAR 1/2ID X 7/8OD	47326	47326	47326	47326
9	SET SCREW 1/4-20 X 3/16 (1 req'd. per collar)	47751	47751	47751	47751
10	GRIP, HANDLE BAR	46028	46028	46028	46028
11	TILT LEVER 1/2X3/4 CD BAR	46006	46006	46006	46006
12	1/4-20 SERRATED LOCK NUT (top side of bracket use a 1/4-20 ESLOK Hex Nut)	46311	46311	46311	46311
13	1/4-20X1/2 BUTN HD SCREW	79242	79242	79242	79242
14	KEY (.187 X .187 X 3/4)	12509	12509	12509	12509
15	SET SCREW 1/4-20 X 3/8	74125	74125	74125	74125
16	HUB	16707	16707	16707	16707
17	SOCKET HEAD 1/4-20 SCREW	77893	77893	77893	77893
18	LEFT SPRING & DUMP BAR ASSEMBLY (assembly includes items listed below)	16710		16710	
	RIGHT SPRING & DUMP BAR ASSEMBLY (assembly includes items listed below)		16709		16709
19	COLLAR	74661	74661	74661	74661
20	SET SCREW, 5/16-18 X 5/8 (3 req'd. per collar)	74662	74662	74662	74662
21	TORSION SPRING	74660	74660	74660	74660
22	SPACER	74658	74658	74658	74658
23*	SPACER,LARGE (DUMP SIDE) - Concave side fits up against bracket weld on Dump Bar Shaft	74659	74659	74659	74659
24	RIGHT DUMP BAR WELDMENT		16705		16705
	LEFT DUMP SHAFT WELDMENT	16706		16706	
25	SPACER,LARGE (CUSTOMER SIDE)	74690	74690	74690	74690



## Cabinet Exterior/Spring Assembly – Parts List

Item	Part Description	Part No.			
		2174DEL	2174DER	2175DEL	2175DER
1	KETTLE LEAD IN ASSY (includes connectors)	48769	48769	48769	48769
2**	LEAD-IN CORD ASSY.	47580	47580	41034	41034
3	STRAIN RELIEF T&B 3304	82227	82227	82227	82227
4	1/4-20x3/4 BUTTON HD SC	67927	67927	67927	67927
5	HEX NUT 1/4-20 ESLOK	42361	42361	42361	42361
6	KETTLE MTNG BRKT MACHINED	106060	106060	106060	106060
7	SPRING RETAINER ROD	82551	82551	82551	82551
8	SET COLLAR 1/2ID X 7/8OD	47326	47326	47326	47326
9	SET SCREW 1/4-20 X 3/16 (1 req'd. per collar)	47751	47751	47751	47751
10	GRIP, HANDLE BAR	46028	46028	46028	46028
11	TILT LEVER 1/2X3/4 CD BAR	46006	46006	46006	46006
12	1/4-20 SERRATED LOCK NUT (top side of bracket use a 1/4-20 ESLOK Hex Nut)	46311	46311	46311	46311
13	1/4-20X1/2 BUTN HD SCREW	79242	79242	79242	79242
14	KEY (.187 X .187 X 3/4)	12509	12509	12509	12509
15	SET SCREW 1/4-20 X 3/8	74125	74125	74125	74125
16	HUB	16707	16707	16707	16707
17	SOCKET HEAD 1/4-20 SCREW	77893	77893	77893	77893
18	LEFT SPRING & DUMP BAR ASSEMBLY (assembly includes items listed below)	16710		16710	
	RIGHT SPRING & DUMP BAR ASSEMBLY (assembly includes items listed below)		16709		16709
19	COLLAR	74661	74661	74661	74661
20	SET SCREW, 5/16-18 X 5/8 (3 req'd. per collar)	74662	74662	74662	74662
21	TORSION SPRING	74660	74660	74660	74660
22	SPACER	74658	74658	74658	74658
23*	SPACER,LARGE (DUMP SIDE) - Concave side fits up against bracket weld on Dump Bar Shaft	74659	74659	74659	74659
24	RIGHT DUMP BAR WELDMENT		16705		16705
	LEFT DUMP SHAFT WELDMENT	16706		16706	
25	SPACER,LARGE (CUSTOMER SIDE)	74690	74690	74690	74690



## Cabinet Exterior/Spring Assembly – Parts List

Item	Part Description	Part No.			
		2174DEL	2174DER	2175DEL	2175DER
1	KETTLE LEAD IN ASSY (includes connectors)	48769	48769	48769	48769
2**	LEAD-IN CORD ASSY.	47580	47580	41034	41034
3	STRAIN RELIEF T&B 3304	82227	82227	82227	82227
4	1/4-20x3/4 BUTTON HD SC	67927	67927	67927	67927
5	HEX NUT 1/4-20 ESLOK	42361	42361	42361	42361
6	KETTLE MTNG BRKT MACHINED	106060	106060	106060	106060
7	SPRING RETAINER ROD	82551	82551	82551	82551
8	SET COLLAR 1/2ID X 7/8OD	47326	47326	47326	47326
9	SET SCREW 1/4-20 X 3/16 (1 req'd. per collar)	47751	47751	47751	47751
10	GRIP, HANDLE BAR	46028	46028	46028	46028
11	TILT LEVER 1/2X3/4 CD BAR	46006	46006	46006	46006
12	1/4-20 SERRATED LOCK NUT (top side of bracket use a 1/4-20 ESLOK Hex Nut)	46311	46311	46311	46311
13	1/4-20X1/2 BUTN HD SCREW	79242	79242	79242	79242
14	KEY (.187 X .187 X 3/4)	12509	12509	12509	12509
15	SET SCREW 1/4-20 X 3/8	74125	74125	74125	74125
16	HUB	16707	16707	16707	16707
17	SOCKET HEAD 1/4-20 SCREW	77893	77893	77893	77893
18	LEFT SPRING & DUMP BAR ASSEMBLY (assembly includes items listed below)	16710		16710	
	RIGHT SPRING & DUMP BAR ASSEMBLY (assembly includes items listed below)		16709		16709
19	COLLAR	74661	74661	74661	74661
20	SET SCREW, 5/16-18 X 5/8 (3 req'd. per collar)	74662	74662	74662	74662
21	TORSION SPRING	74660	74660	74660	74660
22	SPACER	74658	74658	74658	74658
23*	SPACER,LARGE (DUMP SIDE) - Concave side fits up against bracket weld on Dump Bar Shaft	74659	74659	74659	74659
24	RIGHT DUMP BAR WELDMENT		16705		16705
	LEFT DUMP SHAFT WELDMENT	16706		16706	
25	SPACER,LARGE (CUSTOMER SIDE)	74690	74690	74690	74690



## Cabinet Exterior/Spring Assembly – Parts List

Item	Part Description	Part No.			
		2174DEL	2174DER	2175DEL	2175DER
1	KETTLE LEAD IN ASSY (includes connectors)	48769	48769	48769	48769
2**	LEAD-IN CORD ASSY.	47580	47580	41034	41034
3	STRAIN RELIEF T&B 3304	82227	82227	82227	82227
4	1/4-20x3/4 BUTTON HD SC	67927	67927	67927	67927
5	HEX NUT 1/4-20 ESLOK	42361	42361	42361	42361
6	KETTLE MTNG BRKT MACHINED	106060	106060	106060	106060
7	SPRING RETAINER ROD	82551	82551	82551	82551
8	SET COLLAR 1/2ID X 7/8OD	47326	47326	47326	47326
9	SET SCREW 1/4-20 X 3/16 (1 req'd. per collar)	47751	47751	47751	47751
10	GRIP, HANDLE BAR	46028	46028	46028	46028
11	TILT LEVER 1/2X3/4 CD BAR	46006	46006	46006	46006
12	1/4-20 SERRATED LOCK NUT (top side of bracket use a 1/4-20 ESLOK Hex Nut)	46311	46311	46311	46311
13	1/4-20X1/2 BUTN HD SCREW	79242	79242	79242	79242
14	KEY (.187 X .187 X 3/4)	12509	12509	12509	12509
15	SET SCREW 1/4-20 X 3/8	74125	74125	74125	74125
16	HUB	16707	16707	16707	16707
17	SOCKET HEAD 1/4-20 SCREW	77893	77893	77893	77893
18	LEFT SPRING & DUMP BAR ASSEMBLY (assembly includes items listed below)	16710		16710	
	RIGHT SPRING & DUMP BAR ASSEMBLY (assembly includes items listed below)		16709		16709
19	COLLAR	74661	74661	74661	74661
20	SET SCREW, 5/16-18 X 5/8 (3 req'd. per collar)	74662	74662	74662	74662
21	TORSION SPRING	74660	74660	74660	74660
22	SPACER	74658	74658	74658	74658
23*	SPACER,LARGE (DUMP SIDE) - Concave side fits up against bracket weld on Dump Bar Shaft	74659	74659	74659	74659
24	RIGHT DUMP BAR WELDMENT		16705		16705
	LEFT DUMP SHAFT WELDMENT	16706		16706	
25	SPACER,LARGE (CUSTOMER SIDE)	74690	74690	74690	74690



## Cabinet Exterior/Spring Assembly – Parts List

Item	Part Description	Part No.			
		2174DEL	2174DER	2175DEL	2175DER
1	KETTLE LEAD IN ASSY (includes connectors)	48769	48769	48769	48769
2**	LEAD-IN CORD ASSY.	47580	47580	41034	41034
3	STRAIN RELIEF T&B 3304	82227	82227	82227	82227
4	1/4-20x3/4 BUTTON HD SC	67927	67927	67927	67927
5	HEX NUT 1/4-20 ESLOK	42361	42361	42361	42361
6	KETTLE MTNG BRKT MACHINED	106060	106060	106060	106060
7	SPRING RETAINER ROD	82551	82551	82551	82551
8	SET COLLAR 1/2ID X 7/8OD	47326	47326	47326	47326
9	SET SCREW 1/4-20 X 3/16 (1 req'd. per collar)	47751	47751	47751	47751
10	GRIP, HANDLE BAR	46028	46028	46028	46028
11	TILT LEVER 1/2X3/4 CD BAR	46006	46006	46006	46006
12	1/4-20 SERRATED LOCK NUT (top side of bracket use a 1/4-20 ESLOK Hex Nut)	46311	46311	46311	46311
13	1/4-20X1/2 BUTN HD SCREW	79242	79242	79242	79242
14	KEY (.187 X .187 X 3/4)	12509	12509	12509	12509
15	SET SCREW 1/4-20 X 3/8	74125	74125	74125	74125
16	HUB	16707	16707	16707	16707
17	SOCKET HEAD 1/4-20 SCREW	77893	77893	77893	77893
18	LEFT SPRING & DUMP BAR ASSEMBLY (assembly includes items listed below)	16710		16710	
	RIGHT SPRING & DUMP BAR ASSEMBLY (assembly includes items listed below)		16709		16709
19	COLLAR	74661	74661	74661	74661
20	SET SCREW, 5/16-18 X 5/8 (3 req'd. per collar)	74662	74662	74662	74662
21	TORSION SPRING	74660	74660	74660	74660
22	SPACER	74658	74658	74658	74658
23*	SPACER,LARGE (DUMP SIDE) - Concave side fits up against bracket weld on Dump Bar Shaft	74659	74659	74659	74659
24	RIGHT DUMP BAR WELDMENT		16705		16705
	LEFT DUMP SHAFT WELDMENT	16706		16706	
25	SPACER,LARGE (CUSTOMER SIDE)	74690	74690	74690	74690



## Cabinet Exterior/Spring Assembly – Parts List

Item	Part Description	Part No.			
		2174DEL	2174DER	2175DEL	2175DER
1	KETTLE LEAD IN ASSY (includes connectors)	48769	48769	48769	48769
2**	LEAD-IN CORD ASSY.	47580	47580	41034	41034
3	STRAIN RELIEF T&B 3304	82227	82227	82227	82227
4	1/4-20x3/4 BUTTON HD SC	67927	67927	67927	67927
5	HEX NUT 1/4-20 ESLOK	42361	42361	42361	42361
6	KETTLE MTNG BRKT MACHINED	106060	106060	106060	106060
7	SPRING RETAINER ROD	82551	82551	82551	82551
8	SET COLLAR 1/2ID X 7/8OD	47326	47326	47326	47326
9	SET SCREW 1/4-20 X 3/16 (1 req'd. per collar)	47751	47751	47751	47751
10	GRIP, HANDLE BAR	46028	46028	46028	46028
11	TILT LEVER 1/2X3/4 CD BAR	46006	46006	46006	46006
12	1/4-20 SERRATED LOCK NUT (top side of bracket use a 1/4-20 ESLOK Hex Nut)	46311	46311	46311	46311
13	1/4-20X1/2 BUTN HD SCREW	79242	79242	79242	79242
14	KEY (.187 X .187 X 3/4)	12509	12509	12509	12509
15	SET SCREW 1/4-20 X 3/8	74125	74125	74125	74125
16	HUB	16707	16707	16707	16707
17	SOCKET HEAD 1/4-20 SCREW	77893	77893	77893	77893
18	LEFT SPRING & DUMP BAR ASSEMBLY (assembly includes items listed below)	16710		16710	
	RIGHT SPRING & DUMP BAR ASSEMBLY (assembly includes items listed below)		16709		16709
19	COLLAR	74661	74661	74661	74661
20	SET SCREW, 5/16-18 X 5/8 (3 req'd. per collar)	74662	74662	74662	74662
21	TORSION SPRING	74660	74660	74660	74660
22	SPACER	74658	74658	74658	74658
23*	SPACER,LARGE (DUMP SIDE) - Concave side fits up against bracket weld on Dump Bar Shaft	74659	74659	74659	74659
24	RIGHT DUMP BAR WELDMENT		16705		16705
	LEFT DUMP SHAFT WELDMENT	16706		16706	
25	SPACER,LARGE (CUSTOMER SIDE)	74690	74690	74690	74690



## Cabinet Exterior/Spring Assembly – Parts List

Item	Part Description	Part No.			
		2174DEL	2174DER	2175DEL	2175DER
1	KETTLE LEAD IN ASSY (includes connectors)	48769	48769	48769	48769
2**	LEAD-IN CORD ASSY.	47580	47580	41034	41034
3	STRAIN RELIEF T&B 3304	82227	82227	82227	82227
4	1/4-20x3/4 BUTTON HD SC	67927	67927	67927	67927
5	HEX NUT 1/4-20 ESLOK	42361	42361	42361	42361
6	KETTLE MTNG BRKT MACHINED	106060	106060	106060	106060
7	SPRING RETAINER ROD	82551	82551	82551	82551
8	SET COLLAR 1/2ID X 7/8OD	47326	47326	47326	47326
9	SET SCREW 1/4-20 X 3/16 (1 req'd. per collar)	47751	47751	47751	47751
10	GRIP, HANDLE BAR	46028	46028	46028	46028
11	TILT LEVER 1/2X3/4 CD BAR	46006	46006	46006	46006
12	1/4-20 SERRATED LOCK NUT (top side of bracket use a 1/4-20 ESLOK Hex Nut)	46311	46311	46311	46311
13	1/4-20X1/2 BUTN HD SCREW	79242	79242	79242	79242
14	KEY (.187 X .187 X 3/4)	12509	12509	12509	12509
15	SET SCREW 1/4-20 X 3/8	74125	74125	74125	74125
16	HUB	16707	16707	16707	16707
17	SOCKET HEAD 1/4-20 SCREW	77893	77893	77893	77893
18	LEFT SPRING & DUMP BAR ASSEMBLY (assembly includes items listed below)	16710		16710	
	RIGHT SPRING & DUMP BAR ASSEMBLY (assembly includes items listed below)		16709		16709
19	COLLAR	74661	74661	74661	74661
20	SET SCREW, 5/16-18 X 5/8 (3 req'd. per collar)	74662	74662	74662	74662
21	TORSION SPRING	74660	74660	74660	74660
22	SPACER	74658	74658	74658	74658
23*	SPACER,LARGE (DUMP SIDE) - Concave side fits up against bracket weld on Dump Bar Shaft	74659	74659	74659	74659
24	RIGHT DUMP BAR WELDMENT		16705		16705
	LEFT DUMP SHAFT WELDMENT	16706		16706	
25	SPACER,LARGE (CUSTOMER SIDE)	74690	74690	74690	74690



## Cabinet Exterior/Spring Assembly – Parts List

Item	Part Description	Part No.			
		2174DEL	2174DER	2175DEL	2175DER
1	KETTLE LEAD IN ASSY (includes connectors)	48769	48769	48769	48769
2**	LEAD-IN CORD ASSY.	47580	47580	41034	41034
3	STRAIN RELIEF T&B 3304	82227	82227	82227	82227
4	1/4-20x3/4 BUTTON HD SC	67927	67927	67927	67927
5	HEX NUT 1/4-20 ESLOK	42361	42361	42361	42361
6	KETTLE MTNG BRKT MACHINED	106060	106060	106060	106060
7	SPRING RETAINER ROD	82551	82551	82551	82551
8	SET COLLAR 1/2ID X 7/8OD	47326	47326	47326	47326
9	SET SCREW 1/4-20 X 3/16 (1 req'd. per collar)	47751	47751	47751	47751
10	GRIP, HANDLE BAR	46028	46028	46028	46028
11	TILT LEVER 1/2X3/4 CD BAR	46006	46006	46006	46006
12	1/4-20 SERRATED LOCK NUT (top side of bracket use a 1/4-20 ESLOK Hex Nut)	46311	46311	46311	46311
13	1/4-20X1/2 BUTN HD SCREW	79242	79242	79242	79242
14	KEY (.187 X .187 X 3/4)	12509	12509	12509	12509
15	SET SCREW 1/4-20 X 3/8	74125	74125	74125	74125
16	HUB	16707	16707	16707	16707
17	SOCKET HEAD 1/4-20 SCREW	77893	77893	77893	77893
18	LEFT SPRING & DUMP BAR ASSEMBLY (assembly includes items listed below)	16710		16710	
	RIGHT SPRING & DUMP BAR ASSEMBLY (assembly includes items listed below)		16709		16709
19	COLLAR	74661	74661	74661	74661
20	SET SCREW, 5/16-18 X 5/8 (3 req'd. per collar)	74662	74662	74662	74662
21	TORSION SPRING	74660	74660	74660	74660
22	SPACER	74658	74658	74658	74658
23*	SPACER,LARGE (DUMP SIDE) - Concave side fits up against bracket weld on Dump Bar Shaft	74659	74659	74659	74659
24	RIGHT DUMP BAR WELDMENT		16705		16705
	LEFT DUMP SHAFT WELDMENT	16706		16706	
25	SPACER,LARGE (CUSTOMER SIDE)	74690	74690	74690	74690



## Cabinet Exterior/Spring Assembly – Parts List

Item	Part Description	Part No.			
		2174DEL	2174DER	2175DEL	2175DER
1	KETTLE LEAD IN ASSY (includes connectors)	48769	48769	48769	48769
2**	LEAD-IN CORD ASSY.	47580	47580	41034	41034
3	STRAIN RELIEF T&B 3304	82227	82227	82227	82227
4	1/4-20x3/4 BUTTON HD SC	67927	67927	67927	67927
5	HEX NUT 1/4-20 ESLOK	42361	42361	42361	42361
6	KETTLE MTNG BRKT MACHINED	106060	106060	106060	106060
7	SPRING RETAINER ROD	82551	82551	82551	82551
8	SET COLLAR 1/2ID X 7/8OD	47326	47326	47326	47326
9	SET SCREW 1/4-20 X 3/16 (1 req'd. per collar)	47751	47751	47751	47751
10	GRIP, HANDLE BAR	46028	46028	46028	46028
11	TILT LEVER 1/2X3/4 CD BAR	46006	46006	46006	46006
12	1/4-20 SERRATED LOCK NUT (top side of bracket use a 1/4-20 ESLOK Hex Nut)	46311	46311	46311	46311
13	1/4-20X1/2 BUTN HD SCREW	79242	79242	79242	79242
14	KEY (.187 X .187 X 3/4)	12509	12509	12509	12509
15	SET SCREW 1/4-20 X 3/8	74125	74125	74125	74125
16	HUB	16707	16707	16707	16707
17	SOCKET HEAD 1/4-20 SCREW	77893	77893	77893	77893
18	LEFT SPRING & DUMP BAR ASSEMBLY (assembly includes items listed below)	16710		16710	
	RIGHT SPRING & DUMP BAR ASSEMBLY (assembly includes items listed below)		16709		16709
19	COLLAR	74661	74661	74661	74661
20	SET SCREW, 5/16-18 X 5/8 (3 req'd. per collar)	74662	74662	74662	74662
21	TORSION SPRING	74660	74660	74660	74660
22	SPACER	74658	74658	74658	74658
23*	SPACER,LARGE (DUMP SIDE) - Concave side fits up against bracket weld on Dump Bar Shaft	74659	74659	74659	74659
24	RIGHT DUMP BAR WELDMENT		16705		16705
	LEFT DUMP SHAFT WELDMENT	16706		16706	
25	SPACER,LARGE (CUSTOMER SIDE)	74690	74690	74690	74690



## Cabinet Exterior/Spring Assembly – Parts List

Item	Part Description	Part No.			
		2174DEL	2174DER	2175DEL	2175DER
1	KETTLE LEAD IN ASSY (includes connectors)	48769	48769	48769	48769
2**	LEAD-IN CORD ASSY.	47580	47580	41034	41034
3	STRAIN RELIEF T&B 3304	82227	82227	82227	82227
4	1/4-20x3/4 BUTTON HD SC	67927	67927	67927	67927
5	HEX NUT 1/4-20 ESLOK	42361	42361	42361	42361
6	KETTLE MTNG BRKT MACHINED	106060	106060	106060	106060
7	SPRING RETAINER ROD	82551	82551	82551	82551
8	SET COLLAR 1/2ID X 7/8OD	47326	47326	47326	47326
9	SET SCREW 1/4-20 X 3/16 (1 req'd. per collar)	47751	47751	47751	47751
10	GRIP, HANDLE BAR	46028	46028	46028	46028
11	TILT LEVER 1/2X3/4 CD BAR	46006	46006	46006	46006
12	1/4-20 SERRATED LOCK NUT (top side of bracket use a 1/4-20 ESLOK Hex Nut)	46311	46311	46311	46311
13	1/4-20X1/2 BUTN HD SCREW	79242	79242	79242	79242
14	KEY (.187 X .187 X 3/4)	12509	12509	12509	12509
15	SET SCREW 1/4-20 X 3/8	74125	74125	74125	74125
16	HUB	16707	16707	16707	16707
17	SOCKET HEAD 1/4-20 SCREW	77893	77893	77893	77893
18	LEFT SPRING & DUMP BAR ASSEMBLY (assembly includes items listed below)	16710		16710	
	RIGHT SPRING & DUMP BAR ASSEMBLY (assembly includes items listed below)		16709		16709
19	COLLAR	74661	74661	74661	74661
20	SET SCREW, 5/16-18 X 5/8 (3 req'd. per collar)	74662	74662	74662	74662
21	TORSION SPRING	74660	74660	74660	74660
22	SPACER	74658	74658	74658	74658
23*	SPACER,LARGE (DUMP SIDE) - Concave side fits up against bracket weld on Dump Bar Shaft	74659	74659	74659	74659
24	RIGHT DUMP BAR WELDMENT		16705		16705
	LEFT DUMP SHAFT WELDMENT	16706		16706	
25	SPACER,LARGE (CUSTOMER SIDE)	74690	74690	74690	74690



## Cabinet Exterior/Spring Assembly – Parts List

Item	Part Description	Part No.			
		2174DEL	2174DER	2175DEL	2175DER
1	KETTLE LEAD IN ASSY (includes connectors)	48769	48769	48769	48769
2**	LEAD-IN CORD ASSY.	47580	47580	41034	41034
3	STRAIN RELIEF T&B 3304	82227	82227	82227	82227
4	1/4-20x3/4 BUTTON HD SC	67927	67927	67927	67927
5	HEX NUT 1/4-20 ESLOK	42361	42361	42361	42361
6	KETTLE MTNG BRKT MACHINED	106060	106060	106060	106060
7	SPRING RETAINER ROD	82551	82551	82551	82551
8	SET COLLAR 1/2ID X 7/8OD	47326	47326	47326	47326
9	SET SCREW 1/4-20 X 3/16 (1 req'd. per collar)	47751	47751	47751	47751
10	GRIP, HANDLE BAR	46028	46028	46028	46028
11	TILT LEVER 1/2X3/4 CD BAR	46006	46006	46006	46006
12	1/4-20 SERRATED LOCK NUT (top side of bracket use a 1/4-20 ESLOK Hex Nut)	46311	46311	46311	46311
13	1/4-20X1/2 BUTN HD SCREW	79242	79242	79242	79242
14	KEY (.187 X .187 X 3/4)	12509	12509	12509	12509
15	SET SCREW 1/4-20 X 3/8	74125	74125	74125	74125
16	HUB	16707	16707	16707	16707
17	SOCKET HEAD 1/4-20 SCREW	77893	77893	77893	77893
18	LEFT SPRING & DUMP BAR ASSEMBLY (assembly includes items listed below)	16710		16710	
	RIGHT SPRING & DUMP BAR ASSEMBLY (assembly includes items listed below)		16709		16709
19	COLLAR	74661	74661	74661	74661
20	SET SCREW, 5/16-18 X 5/8 (3 req'd. per collar)	74662	74662	74662	74662
21	TORSION SPRING	74660	74660	74660	74660
22	SPACER	74658	74658	74658	74658
23*	SPACER,LARGE (DUMP SIDE) - Concave side fits up against bracket weld on Dump Bar Shaft	74659	74659	74659	74659
24	RIGHT DUMP BAR WELDMENT		16705		16705
	LEFT DUMP SHAFT WELDMENT	16706		16706	
25	SPACER,LARGE (CUSTOMER SIDE)	74690	74690	74690	74690



## Cabinet Exterior/Spring Assembly – Parts List

Item	Part Description	Part No.			
		2174DEL	2174DER	2175DEL	2175DER
1	KETTLE LEAD IN ASSY (includes connectors)	48769	48769	48769	48769
2**	LEAD-IN CORD ASSY.	47580	47580	41034	41034
3	STRAIN RELIEF T&B 3304	82227	82227	82227	82227
4	1/4-20x3/4 BUTTON HD SC	67927	67927	67927	67927
5	HEX NUT 1/4-20 ESLOK	42361	42361	42361	42361
6	KETTLE MTNG BRKT MACHINED	106060	106060	106060	106060
7	SPRING RETAINER ROD	82551	82551	82551	82551
8	SET COLLAR 1/2ID X 7/8OD	47326	47326	47326	47326
9	SET SCREW 1/4-20 X 3/16 (1 req'd. per collar)	47751	47751	47751	47751
10	GRIP, HANDLE BAR	46028	46028	46028	46028
11	TILT LEVER 1/2X3/4 CD BAR	46006	46006	46006	46006
12	1/4-20 SERRATED LOCK NUT (top side of bracket use a 1/4-20 ESLOK Hex Nut)	46311	46311	46311	46311
13	1/4-20X1/2 BUTN HD SCREW	79242	79242	79242	79242
14	KEY (.187 X .187 X 3/4)	12509	12509	12509	12509
15	SET SCREW 1/4-20 X 3/8	74125	74125	74125	74125
16	HUB	16707	16707	16707	16707
17	SOCKET HEAD 1/4-20 SCREW	77893	77893	77893	77893
18	LEFT SPRING & DUMP BAR ASSEMBLY (assembly includes items listed below)	16710		16710	
	RIGHT SPRING & DUMP BAR ASSEMBLY (assembly includes items listed below)		16709		16709
19	COLLAR	74661	74661	74661	74661
20	SET SCREW, 5/16-18 X 5/8 (3 req'd. per collar)	74662	74662	74662	74662
21	TORSION SPRING	74660	74660	74660	74660
22	SPACER	74658	74658	74658	74658
23*	SPACER,LARGE (DUMP SIDE) - Concave side fits up against bracket weld on Dump Bar Shaft	74659	74659	74659	74659
24	RIGHT DUMP BAR WELDMENT		16705		16705
	LEFT DUMP SHAFT WELDMENT	16706		16706	
25	SPACER,LARGE (CUSTOMER SIDE)	74690	74690	74690	74690



## Cabinet Exterior/Spring Assembly – Parts List

Item	Part Description	Part No.			
		2174DEL	2174DER	2175DEL	2175DER
1	KETTLE LEAD IN ASSY (includes connectors)	48769	48769	48769	48769
2**	LEAD-IN CORD ASSY.	47580	47580	41034	41034
3	STRAIN RELIEF T&B 3304	82227	82227	82227	82227
4	1/4-20x3/4 BUTTON HD SC	67927	67927	67927	67927
5	HEX NUT 1/4-20 ESLOK	42361	42361	42361	42361
6	KETTLE MTNG BRKT MACHINED	106060	106060	106060	106060
7	SPRING RETAINER ROD	82551	82551	82551	82551
8	SET COLLAR 1/2ID X 7/8OD	47326	47326	47326	47326
9	SET SCREW 1/4-20 X 3/16 (1 req'd. per collar)	47751	47751	47751	47751
10	GRIP, HANDLE BAR	46028	46028	46028	46028
11	TILT LEVER 1/2X3/4 CD BAR	46006	46006	46006	46006
12	1/4-20 SERRATED LOCK NUT (top side of bracket use a 1/4-20 ESLOK Hex Nut)	46311	46311	46311	46311
13	1/4-20X1/2 BUTN HD SCREW	79242	79242	79242	79242
14	KEY (.187 X .187 X 3/4)	12509	12509	12509	12509
15	SET SCREW 1/4-20 X 3/8	74125	74125	74125	74125
16	HUB	16707	16707	16707	16707
17	SOCKET HEAD 1/4-20 SCREW	77893	77893	77893	77893
18	LEFT SPRING & DUMP BAR ASSEMBLY (assembly includes items listed below)	16710		16710	
	RIGHT SPRING & DUMP BAR ASSEMBLY (assembly includes items listed below)		16709		16709
19	COLLAR	74661	74661	74661	74661
20	SET SCREW, 5/16-18 X 5/8 (3 req'd. per collar)	74662	74662	74662	74662
21	TORSION SPRING	74660	74660	74660	74660
22	SPACER	74658	74658	74658	74658
23*	SPACER,LARGE (DUMP SIDE) - Concave side fits up against bracket weld on Dump Bar Shaft	74659	74659	74659	74659
24	RIGHT DUMP BAR WELDMENT		16705		16705
	LEFT DUMP SHAFT WELDMENT	16706		16706	
25	SPACER,LARGE (CUSTOMER SIDE)	74690	74690	74690	74690



## Cabinet Exterior/Spring Assembly – Parts List

Item	Part Description	Part No.			
		2174DEL	2174DER	2175DEL	2175DER
1	KETTLE LEAD IN ASSY (includes connectors)	48769	48769	48769	48769
2**	LEAD-IN CORD ASSY.	47580	47580	41034	41034
3	STRAIN RELIEF T&B 3304	82227	82227	82227	82227
4	1/4-20x3/4 BUTTON HD SC	67927	67927	67927	67927
5	HEX NUT 1/4-20 ESLOK	42361	42361	42361	42361
6	KETTLE MTNG BRKT MACHINED	106060	106060	106060	106060
7	SPRING RETAINER ROD	82551	82551	82551	82551
8	SET COLLAR 1/2ID X 7/8OD	47326	47326	47326	47326
9	SET SCREW 1/4-20 X 3/16 (1 req'd. per collar)	47751	47751	47751	47751
10	GRIP, HANDLE BAR	46028	46028	46028	46028
11	TILT LEVER 1/2X3/4 CD BAR	46006	46006	46006	46006
12	1/4-20 SERRATED LOCK NUT (top side of bracket use a 1/4-20 ESLOK Hex Nut)	46311	46311	46311	46311
13	1/4-20X1/2 BUTN HD SCREW	79242	79242	79242	79242
14	KEY (.187 X .187 X 3/4)	12509	12509	12509	12509
15	SET SCREW 1/4-20 X 3/8	74125	74125	74125	74125
16	HUB	16707	16707	16707	16707
17	SOCKET HEAD 1/4-20 SCREW	77893	77893	77893	77893
18	LEFT SPRING & DUMP BAR ASSEMBLY (assembly includes items listed below)	16710		16710	
	RIGHT SPRING & DUMP BAR ASSEMBLY (assembly includes items listed below)		16709		16709
19	COLLAR	74661	74661	74661	74661
20	SET SCREW, 5/16-18 X 5/8 (3 req'd. per collar)	74662	74662	74662	74662
21	TORSION SPRING	74660	74660	74660	74660
22	SPACER	74658	74658	74658	74658
23*	SPACER,LARGE (DUMP SIDE) - Concave side fits up against bracket weld on Dump Bar Shaft	74659	74659	74659	74659
24	RIGHT DUMP BAR WELDMENT		16705		16705
	LEFT DUMP SHAFT WELDMENT	16706		16706	
25	SPACER,LARGE (CUSTOMER SIDE)	74690	74690	74690	74690



## Cabinet Exterior/Spring Assembly – Parts List

Item	Part Description	Part No.			
		2174DEL	2174DER	2175DEL	2175DER
1	KETTLE LEAD IN ASSY (includes connectors)	48769	48769	48769	48769
2**	LEAD-IN CORD ASSY.	47580	47580	41034	41034
3	STRAIN RELIEF T&B 3304	82227	82227	82227	82227
4	1/4-20x3/4 BUTTON HD SC	67927	67927	67927	67927
5	HEX NUT 1/4-20 ESLOK	42361	42361	42361	42361
6	KETTLE MTNG BRKT MACHINED	106060	106060	106060	106060
7	SPRING RETAINER ROD	82551	82551	82551	82551
8	SET COLLAR 1/2ID X 7/8OD	47326	47326	47326	47326
9	SET SCREW 1/4-20 X 3/16 (1 req'd. per collar)	47751	47751	47751	47751
10	GRIP, HANDLE BAR	46028	46028	46028	46028
11	TILT LEVER 1/2X3/4 CD BAR	46006	46006	46006	46006
12	1/4-20 SERRATED LOCK NUT (top side of bracket use a 1/4-20 ESLOK Hex Nut)	46311	46311	46311	46311
13	1/4-20X1/2 BUTN HD SCREW	79242	79242	79242	79242
14	KEY (.187 X .187 X 3/4)	12509	12509	12509	12509
15	SET SCREW 1/4-20 X 3/8	74125	74125	74125	74125
16	HUB	16707	16707	16707	16707
17	SOCKET HEAD 1/4-20 SCREW	77893	77893	77893	77893
18	LEFT SPRING & DUMP BAR ASSEMBLY (assembly includes items listed below)	16710		16710	
	RIGHT SPRING & DUMP BAR ASSEMBLY (assembly includes items listed below)		16709		16709
19	COLLAR	74661	74661	74661	74661
20	SET SCREW, 5/16-18 X 5/8 (3 req'd. per collar)	74662	74662	74662	74662
21	TORSION SPRING	74660	74660	74660	74660
22	SPACER	74658	74658	74658	74658
23*	SPACER,LARGE (DUMP SIDE) - Concave side fits up against bracket weld on Dump Bar Shaft	74659	74659	74659	74659
24	RIGHT DUMP BAR WELDMENT		16705		16705
	LEFT DUMP SHAFT WELDMENT	16706		16706	
25	SPACER,LARGE (CUSTOMER SIDE)	74690	74690	74690	74690



## Cabinet Exterior/Spring Assembly – Parts List

Item	Part Description	Part No.			
		2174DEL	2174DER	2175DEL	2175DER
1	KETTLE LEAD IN ASSY (includes connectors)	48769	48769	48769	48769
2**	LEAD-IN CORD ASSY.	47580	47580	41034	41034
3	STRAIN RELIEF T&B 3304	82227	82227	82227	82227
4	1/4-20x3/4 BUTTON HD SC	67927	67927	67927	67927
5	HEX NUT 1/4-20 ESLOK	42361	42361	42361	42361
6	KETTLE MTNG BRKT MACHINED	106060	106060	106060	106060
7	SPRING RETAINER ROD	82551	82551	82551	82551
8	SET COLLAR 1/2ID X 7/8OD	47326	47326	47326	47326
9	SET SCREW 1/4-20 X 3/16 (1 req'd. per collar)	47751	47751	47751	47751
10	GRIP, HANDLE BAR	46028	46028	46028	46028
11	TILT LEVER 1/2X3/4 CD BAR	46006	46006	46006	46006
12	1/4-20 SERRATED LOCK NUT (top side of bracket use a 1/4-20 ESLOK Hex Nut)	46311	46311	46311	46311
13	1/4-20X1/2 BUTN HD SCREW	79242	79242	79242	79242
14	KEY (.187 X .187 X 3/4)	12509	12509	12509	12509
15	SET SCREW 1/4-20 X 3/8	74125	74125	74125	74125
16	HUB	16707	16707	16707	16707
17	SOCKET HEAD 1/4-20 SCREW	77893	77893	77893	77893
18	LEFT SPRING & DUMP BAR ASSEMBLY (assembly includes items listed below)	16710		16710	
	RIGHT SPRING & DUMP BAR ASSEMBLY (assembly includes items listed below)		16709		16709
19	COLLAR	74661	74661	74661	74661
20	SET SCREW, 5/16-18 X 5/8 (3 req'd. per collar)	74662	74662	74662	74662
21	TORSION SPRING	74660	74660	74660	74660
22	SPACER	74658	74658	74658	74658
23*	SPACER,LARGE (DUMP SIDE) - Concave side fits up against bracket weld on Dump Bar Shaft	74659	74659	74659	74659
24	RIGHT DUMP BAR WELDMENT		16705		16705
	LEFT DUMP SHAFT WELDMENT	16706		16706	
25	SPACER,LARGE (CUSTOMER SIDE)	74690	74690	74690	74690



## Cabinet Exterior/Spring Assembly – Parts List

Item	Part Description	Part No.			
		2174DEL	2174DER	2175DEL	2175DER
1	KETTLE LEAD IN ASSY (includes connectors)	48769	48769	48769	48769
2**	LEAD-IN CORD ASSY.	47580	47580	41034	41034
3	STRAIN RELIEF T&B 3304	82227	82227	82227	82227
4	1/4-20x3/4 BUTTON HD SC	67927	67927	67927	67927
5	HEX NUT 1/4-20 ESLOK	42361	42361	42361	42361
6	KETTLE MTNG BRKT MACHINED	106060	106060	106060	106060
7	SPRING RETAINER ROD	82551	82551	82551	82551
8	SET COLLAR 1/2ID X 7/8OD	47326	47326	47326	47326
9	SET SCREW 1/4-20 X 3/16 (1 req'd. per collar)	47751	47751	47751	47751
10	GRIP, HANDLE BAR	46028	46028	46028	46028
11	TILT LEVER 1/2X3/4 CD BAR	46006	46006	46006	46006
12	1/4-20 SERRATED LOCK NUT (top side of bracket use a 1/4-20 ESLOK Hex Nut)	46311	46311	46311	46311
13	1/4-20X1/2 BUTN HD SCREW	79242	79242	79242	79242
14	KEY (.187 X .187 X 3/4)	12509	12509	12509	12509
15	SET SCREW 1/4-20 X 3/8	74125	74125	74125	74125
16	HUB	16707	16707	16707	16707
17	SOCKET HEAD 1/4-20 SCREW	77893	77893	77893	77893
18	LEFT SPRING & DUMP BAR ASSEMBLY (assembly includes items listed below)	16710		16710	
	RIGHT SPRING & DUMP BAR ASSEMBLY (assembly includes items listed below)		16709		16709
19	COLLAR	74661	74661	74661	74661
20	SET SCREW, 5/16-18 X 5/8 (3 req'd. per collar)	74662	74662	74662	74662
21	TORSION SPRING	74660	74660	74660	74660
22	SPACER	74658	74658	74658	74658
23*	SPACER,LARGE (DUMP SIDE) - Concave side fits up against bracket weld on Dump Bar Shaft	74659	74659	74659	74659
24	RIGHT DUMP BAR WELDMENT		16705		16705
	LEFT DUMP SHAFT WELDMENT	16706		16706	
25	SPACER,LARGE (CUSTOMER SIDE)	74690	74690	74690	74690



## Cabinet Exterior/Spring Assembly – Parts List

Item	Part Description	Part No.			
		2174DEL	2174DER	2175DEL	2175DER
1	KETTLE LEAD IN ASSY (includes connectors)	48769	48769	48769	48769
2**	LEAD-IN CORD ASSY.	47580	47580	41034	41034
3	STRAIN RELIEF T&B 3304	82227	82227	82227	82227
4	1/4-20x3/4 BUTTON HD SC	67927	67927	67927	67927
5	HEX NUT 1/4-20 ESLOK	42361	42361	42361	42361
6	KETTLE MTNG BRKT MACHINED	106060	106060	106060	106060
7	SPRING RETAINER ROD	82551	82551	82551	82551
8	SET COLLAR 1/2ID X 7/8OD	47326	47326	47326	47326
9	SET SCREW 1/4-20 X 3/16 (1 req'd. per collar)	47751	47751	47751	47751
10	GRIP, HANDLE BAR	46028	46028	46028	46028
11	TILT LEVER 1/2X3/4 CD BAR	46006	46006	46006	46006
12	1/4-20 SERRATED LOCK NUT (top side of bracket use a 1/4-20 ESLOK Hex Nut)	46311	46311	46311	46311
13	1/4-20X1/2 BUTN HD SCREW	79242	79242	79242	79242
14	KEY (.187 X .187 X 3/4)	12509	12509	12509	12509
15	SET SCREW 1/4-20 X 3/8	74125	74125	74125	74125
16	HUB	16707	16707	16707	16707
17	SOCKET HEAD 1/4-20 SCREW	77893	77893	77893	77893
18	LEFT SPRING & DUMP BAR ASSEMBLY (assembly includes items listed below)	16710		16710	
	RIGHT SPRING & DUMP BAR ASSEMBLY (assembly includes items listed below)		16709		16709
19	COLLAR	74661	74661	74661	74661
20	SET SCREW, 5/16-18 X 5/8 (3 req'd. per collar)	74662	74662	74662	74662
21	TORSION SPRING	74660	74660	74660	74660
22	SPACER	74658	74658	74658	74658
23*	SPACER,LARGE (DUMP SIDE) - Concave side fits up against bracket weld on Dump Bar Shaft	74659	74659	74659	74659
24	RIGHT DUMP BAR WELDMENT		16705		16705
	LEFT DUMP SHAFT WELDMENT	16706		16706	
25	SPACER,LARGE (CUSTOMER SIDE)	74690	74690	74690	74690



## Cabinet Exterior/Spring Assembly – Parts List

Item	Part Description	Part No.			
		2174DEL	2174DER	2175DEL	2175DER
1	KETTLE LEAD IN ASSY (includes connectors)	48769	48769	48769	48769
2**	LEAD-IN CORD ASSY.	47580	47580	41034	41034
3	STRAIN RELIEF T&B 3304	82227	82227	82227	82227
4	1/4-20x3/4 BUTTON HD SC	67927	67927	67927	67927
5	HEX NUT 1/4-20 ESLOK	42361	42361	42361	42361
6	KETTLE MTNG BRKT MACHINED	106060	106060	106060	106060
7	SPRING RETAINER ROD	82551	82551	82551	82551
8	SET COLLAR 1/2ID X 7/8OD	47326	47326	47326	47326
9	SET SCREW 1/4-20 X 3/16 (1 req'd. per collar)	47751	47751	47751	47751
10	GRIP, HANDLE BAR	46028	46028	46028	46028
11	TILT LEVER 1/2X3/4 CD BAR	46006	46006	46006	46006
12	1/4-20 SERRATED LOCK NUT (top side of bracket use a 1/4-20 ESLOK Hex Nut)	46311	46311	46311	46311
13	1/4-20X1/2 BUTN HD SCREW	79242	79242	79242	79242
14	KEY (.187 X .187 X 3/4)	12509	12509	12509	12509
15	SET SCREW 1/4-20 X 3/8	74125	74125	74125	74125
16	HUB	16707	16707	16707	16707
17	SOCKET HEAD 1/4-20 SCREW	77893	77893	77893	77893
18	LEFT SPRING & DUMP BAR ASSEMBLY (assembly includes items listed below)	16710		16710	
	RIGHT SPRING & DUMP BAR ASSEMBLY (assembly includes items listed below)		16709		16709
19	COLLAR	74661	74661	74661	74661
20	SET SCREW, 5/16-18 X 5/8 (3 req'd. per collar)	74662	74662	74662	74662
21	TORSION SPRING	74660	74660	74660	74660
22	SPACER	74658	74658	74658	74658
23*	SPACER,LARGE (DUMP SIDE) - Concave side fits up against bracket weld on Dump Bar Shaft	74659	74659	74659	74659
24	RIGHT DUMP BAR WELDMENT		16705		16705
	LEFT DUMP SHAFT WELDMENT	16706		16706	
25	SPACER,LARGE (CUSTOMER SIDE)	74690	74690	74690	74690



## Cabinet Exterior/Spring Assembly – Parts List

Item	Part Description	Part No.			
		2174DEL	2174DER	2175DEL	2175DER
1	KETTLE LEAD IN ASSY (includes connectors)	48769	48769	48769	48769
2**	LEAD-IN CORD ASSY.	47580	47580	41034	41034
3	STRAIN RELIEF T&B 3304	82227	82227	82227	82227
4	1/4-20x3/4 BUTTON HD SC	67927	67927	67927	67927
5	HEX NUT 1/4-20 ESLOK	42361	42361	42361	42361
6	KETTLE MTNG BRKT MACHINED	106060	106060	106060	106060
7	SPRING RETAINER ROD	82551	82551	82551	82551
8	SET COLLAR 1/2ID X 7/8OD	47326	47326	47326	47326
9	SET SCREW 1/4-20 X 3/16 (1 req'd. per collar)	47751	47751	47751	47751
10	GRIP, HANDLE BAR	46028	46028	46028	46028
11	TILT LEVER 1/2X3/4 CD BAR	46006	46006	46006	46006
12	1/4-20 SERRATED LOCK NUT (top side of bracket use a 1/4-20 ESLOK Hex Nut)	46311	46311	46311	46311
13	1/4-20X1/2 BUTN HD SCREW	79242	79242	79242	79242
14	KEY (.187 X .187 X 3/4)	12509	12509	12509	12509
15	SET SCREW 1/4-20 X 3/8	74125	74125	74125	74125
16	HUB	16707	16707	16707	16707
17	SOCKET HEAD 1/4-20 SCREW	77893	77893	77893	77893
18	LEFT SPRING & DUMP BAR ASSEMBLY (assembly includes items listed below)	16710		16710	
	RIGHT SPRING & DUMP BAR ASSEMBLY (assembly includes items listed below)		16709		16709
19	COLLAR	74661	74661	74661	74661
20	SET SCREW, 5/16-18 X 5/8 (3 req'd. per collar)	74662	74662	74662	74662
21	TORSION SPRING	74660	74660	74660	74660
22	SPACER	74658	74658	74658	74658
23*	SPACER,LARGE (DUMP SIDE) - Concave side fits up against bracket weld on Dump Bar Shaft	74659	74659	74659	74659
24	RIGHT DUMP BAR WELDMENT		16705		16705
	LEFT DUMP SHAFT WELDMENT	16706		16706	
25	SPACER,LARGE (CUSTOMER SIDE)	74690	74690	74690	74690



## Cabinet Exterior/Spring Assembly – Parts List

Item	Part Description	Part No.			
		2174DEL	2174DER	2175DEL	2175DER
1	KETTLE LEAD IN ASSY (includes connectors)	48769	48769	48769	48769
2**	LEAD-IN CORD ASSY.	47580	47580	41034	41034
3	STRAIN RELIEF T&B 3304	82227	82227	82227	82227
4	1/4-20x3/4 BUTTON HD SC	67927	67927	67927	67927
5	HEX NUT 1/4-20 ESLOK	42361	42361	42361	42361
6	KETTLE MTNG BRKT MACHINED	106060	106060	106060	106060
7	SPRING RETAINER ROD	82551	82551	82551	82551
8	SET COLLAR 1/2ID X 7/8OD	47326	47326	47326	47326
9	SET SCREW 1/4-20 X 3/16 (1 req'd. per collar)	47751	47751	47751	47751
10	GRIP, HANDLE BAR	46028	46028	46028	46028
11	TILT LEVER 1/2X3/4 CD BAR	46006	46006	46006	46006
12	1/4-20 SERRATED LOCK NUT (top side of bracket use a 1/4-20 ESLOK Hex Nut)	46311	46311	46311	46311
13	1/4-20X1/2 BUTN HD SCREW	79242	79242	79242	79242
14	KEY (.187 X .187 X 3/4)	12509	12509	12509	12509
15	SET SCREW 1/4-20 X 3/8	74125	74125	74125	74125
16	HUB	16707	16707	16707	16707
17	SOCKET HEAD 1/4-20 SCREW	77893	77893	77893	77893
18	LEFT SPRING & DUMP BAR ASSEMBLY (assembly includes items listed below)	16710		16710	
	RIGHT SPRING & DUMP BAR ASSEMBLY (assembly includes items listed below)		16709		16709
19	COLLAR	74661	74661	74661	74661
20	SET SCREW, 5/16-18 X 5/8 (3 req'd. per collar)	74662	74662	74662	74662
21	TORSION SPRING	74660	74660	74660	74660
22	SPACER	74658	74658	74658	74658
23*	SPACER,LARGE (DUMP SIDE) - Concave side fits up against bracket weld on Dump Bar Shaft	74659	74659	74659	74659
24	RIGHT DUMP BAR WELDMENT		16705		16705
	LEFT DUMP SHAFT WELDMENT	16706		16706	
25	SPACER,LARGE (CUSTOMER SIDE)	74690	74690	74690	74690



## Cabinet Exterior/Spring Assembly – Parts List

Item	Part Description	Part No.			
		2174DEL	2174DER	2175DEL	2175DER
1	KETTLE LEAD IN ASSY (includes connectors)	48769	48769	48769	48769
2**	LEAD-IN CORD ASSY.	47580	47580	41034	41034
3	STRAIN RELIEF T&B 3304	82227	82227	82227	82227
4	1/4-20x3/4 BUTTON HD SC	67927	67927	67927	67927
5	HEX NUT 1/4-20 ESLOK	42361	42361	42361	42361
6	KETTLE MTNG BRKT MACHINED	106060	106060	106060	106060
7	SPRING RETAINER ROD	82551	82551	82551	82551
8	SET COLLAR 1/2ID X 7/8OD	47326	47326	47326	47326
9	SET SCREW 1/4-20 X 3/16 (1 req'd. per collar)	47751	47751	47751	47751
10	GRIP, HANDLE BAR	46028	46028	46028	46028
11	TILT LEVER 1/2X3/4 CD BAR	46006	46006	46006	46006
12	1/4-20 SERRATED LOCK NUT (top side of bracket use a 1/4-20 ESLOK Hex Nut)	46311	46311	46311	46311
13	1/4-20X1/2 BUTN HD SCREW	79242	79242	79242	79242
14	KEY (.187 X .187 X 3/4)	12509	12509	12509	12509
15	SET SCREW 1/4-20 X 3/8	74125	74125	74125	74125
16	HUB	16707	16707	16707	16707
17	SOCKET HEAD 1/4-20 SCREW	77893	77893	77893	77893
18	LEFT SPRING & DUMP BAR ASSEMBLY (assembly includes items listed below)	16710		16710	
	RIGHT SPRING & DUMP BAR ASSEMBLY (assembly includes items listed below)		16709		16709
19	COLLAR	74661	74661	74661	74661
20	SET SCREW, 5/16-18 X 5/8 (3 req'd. per collar)	74662	74662	74662	74662
21	TORSION SPRING	74660	74660	74660	74660
22	SPACER	74658	74658	74658	74658
23*	SPACER,LARGE (DUMP SIDE) - Concave side fits up against bracket weld on Dump Bar Shaft	74659	74659	74659	74659
24	RIGHT DUMP BAR WELDMENT		16705		16705
	LEFT DUMP SHAFT WELDMENT	16706		16706	
25	SPACER,LARGE (CUSTOMER SIDE)	74690	74690	74690	74690



## Cabinet Exterior/Spring Assembly – Parts List

Item	Part Description	Part No.			
		2174DEL	2174DER	2175DEL	2175DER
1	KETTLE LEAD IN ASSY (includes connectors)	48769	48769	48769	48769
2**	LEAD-IN CORD ASSY.	47580	47580	41034	41034
3	STRAIN RELIEF T&B 3304	82227	82227	82227	82227
4	1/4-20x3/4 BUTTON HD SC	67927	67927	67927	67927
5	HEX NUT 1/4-20 ESLOK	42361	42361	42361	42361
6	KETTLE MTNG BRKT MACHINED	106060	106060	106060	106060
7	SPRING RETAINER ROD	82551	82551	82551	82551
8	SET COLLAR 1/2ID X 7/8OD	47326	47326	47326	47326
9	SET SCREW 1/4-20 X 3/16 (1 req'd. per collar)	47751	47751	47751	47751
10	GRIP, HANDLE BAR	46028	46028	46028	46028
11	TILT LEVER 1/2X3/4 CD BAR	46006	46006	46006	46006
12	1/4-20 SERRATED LOCK NUT (top side of bracket use a 1/4-20 ESLOK Hex Nut)	46311	46311	46311	46311
13	1/4-20X1/2 BUTN HD SCREW	79242	79242	79242	79242
14	KEY (.187 X .187 X 3/4)	12509	12509	12509	12509
15	SET SCREW 1/4-20 X 3/8	74125	74125	74125	74125
16	HUB	16707	16707	16707	16707
17	SOCKET HEAD 1/4-20 SCREW	77893	77893	77893	77893
18	LEFT SPRING & DUMP BAR ASSEMBLY (assembly includes items listed below)	16710		16710	
	RIGHT SPRING & DUMP BAR ASSEMBLY (assembly includes items listed below)		16709		16709
19	COLLAR	74661	74661	74661	74661
20	SET SCREW, 5/16-18 X 5/8 (3 req'd. per collar)	74662	74662	74662	74662
21	TORSION SPRING	74660	74660	74660	74660
22	SPACER	74658	74658	74658	74658
23*	SPACER,LARGE (DUMP SIDE) - Concave side fits up against bracket weld on Dump Bar Shaft	74659	74659	74659	74659
24	RIGHT DUMP BAR WELDMENT		16705		16705
	LEFT DUMP SHAFT WELDMENT	16706		16706	
25	SPACER,LARGE (CUSTOMER SIDE)	74690	74690	74690	74690



## Cabinet Exterior/Spring Assembly – Parts List

Item	Part Description	Part No.			
		2174DEL	2174DER	2175DEL	2175DER
1	KETTLE LEAD IN ASSY (includes connectors)	48769	48769	48769	48769
2**	LEAD-IN CORD ASSY.	47580	47580	41034	41034
3	STRAIN RELIEF T&B 3304	82227	82227	82227	82227
4	1/4-20x3/4 BUTTON HD SC	67927	67927	67927	67927
5	HEX NUT 1/4-20 ESLOK	42361	42361	42361	42361
6	KETTLE MTNG BRKT MACHINED	106060	106060	106060	106060
7	SPRING RETAINER ROD	82551	82551	82551	82551
8	SET COLLAR 1/2ID X 7/8OD	47326	47326	47326	47326
9	SET SCREW 1/4-20 X 3/16 (1 req'd. per collar)	47751	47751	47751	47751
10	GRIP, HANDLE BAR	46028	46028	46028	46028
11	TILT LEVER 1/2X3/4 CD BAR	46006	46006	46006	46006
12	1/4-20 SERRATED LOCK NUT (top side of bracket use a 1/4-20 ESLOK Hex Nut)	46311	46311	46311	46311
13	1/4-20X1/2 BUTN HD SCREW	79242	79242	79242	79242
14	KEY (.187 X .187 X 3/4)	12509	12509	12509	12509
15	SET SCREW 1/4-20 X 3/8	74125	74125	74125	74125
16	HUB	16707	16707	16707	16707
17	SOCKET HEAD 1/4-20 SCREW	77893	77893	77893	77893
18	LEFT SPRING & DUMP BAR ASSEMBLY (assembly includes items listed below)	16710		16710	
	RIGHT SPRING & DUMP BAR ASSEMBLY (assembly includes items listed below)		16709		16709
19	COLLAR	74661	74661	74661	74661
20	SET SCREW, 5/16-18 X 5/8 (3 req'd. per collar)	74662	74662	74662	74662
21	TORSION SPRING	74660	74660	74660	74660
22	SPACER	74658	74658	74658	74658
23*	SPACER,LARGE (DUMP SIDE) - Concave side fits up against bracket weld on Dump Bar Shaft	74659	74659	74659	74659
24	RIGHT DUMP BAR WELDMENT		16705		16705
	LEFT DUMP SHAFT WELDMENT	16706		16706	
25	SPACER,LARGE (CUSTOMER SIDE)	74690	74690	74690	74690



## Cabinet Exterior/Spring Assembly – Parts List

Item	Part Description	Part No.			
		2174DEL	2174DER	2175DEL	2175DER
1	KETTLE LEAD IN ASSY (includes connectors)	48769	48769	48769	48769
2**	LEAD-IN CORD ASSY.	47580	47580	41034	41034
3	STRAIN RELIEF T&B 3304	82227	82227	82227	82227
4	1/4-20x3/4 BUTTON HD SC	67927	67927	67927	67927
5	HEX NUT 1/4-20 ESLOK	42361	42361	42361	42361
6	KETTLE MTNG BRKT MACHINED	106060	106060	106060	106060
7	SPRING RETAINER ROD	82551	82551	82551	82551
8	SET COLLAR 1/2ID X 7/8OD	47326	47326	47326	47326
9	SET SCREW 1/4-20 X 3/16 (1 req'd. per collar)	47751	47751	47751	47751
10	GRIP, HANDLE BAR	46028	46028	46028	46028
11	TILT LEVER 1/2X3/4 CD BAR	46006	46006	46006	46006
12	1/4-20 SERRATED LOCK NUT (top side of bracket use a 1/4-20 ESLOK Hex Nut)	46311	46311	46311	46311
13	1/4-20X1/2 BUTN HD SCREW	79242	79242	79242	79242
14	KEY (.187 X .187 X 3/4)	12509	12509	12509	12509
15	SET SCREW 1/4-20 X 3/8	74125	74125	74125	74125
16	HUB	16707	16707	16707	16707
17	SOCKET HEAD 1/4-20 SCREW	77893	77893	77893	77893
18	LEFT SPRING & DUMP BAR ASSEMBLY (assembly includes items listed below)	16710		16710	
	RIGHT SPRING & DUMP BAR ASSEMBLY (assembly includes items listed below)		16709		16709
19	COLLAR	74661	74661	74661	74661
20	SET SCREW, 5/16-18 X 5/8 (3 req'd. per collar)	74662	74662	74662	74662
21	TORSION SPRING	74660	74660	74660	74660
22	SPACER	74658	74658	74658	74658
23*	SPACER,LARGE (DUMP SIDE) - Concave side fits up against bracket weld on Dump Bar Shaft	74659	74659	74659	74659
24	RIGHT DUMP BAR WELDMENT		16705		16705
	LEFT DUMP SHAFT WELDMENT	16706		16706	
25	SPACER,LARGE (CUSTOMER SIDE)	74690	74690	74690	74690



## Cabinet Exterior/Spring Assembly – Parts List

Item	Part Description	Part No.			
		2174DEL	2174DER	2175DEL	2175DER
1	KETTLE LEAD IN ASSY (includes connectors)	48769	48769	48769	48769
2**	LEAD-IN CORD ASSY.	47580	47580	41034	41034
3	STRAIN RELIEF T&B 3304	82227	82227	82227	82227
4	1/4-20x3/4 BUTTON HD SC	67927	67927	67927	67927
5	HEX NUT 1/4-20 ESLOK	42361	42361	42361	42361
6	KETTLE MTNG BRKT MACHINED	106060	106060	106060	106060
7	SPRING RETAINER ROD	82551	82551	82551	82551
8	SET COLLAR 1/2ID X 7/8OD	47326	47326	47326	47326
9	SET SCREW 1/4-20 X 3/16 (1 req'd. per collar)	47751	47751	47751	47751
10	GRIP, HANDLE BAR	46028	46028	46028	46028
11	TILT LEVER 1/2X3/4 CD BAR	46006	46006	46006	46006
12	1/4-20 SERRATED LOCK NUT (top side of bracket use a 1/4-20 ESLOK Hex Nut)	46311	46311	46311	46311
13	1/4-20X1/2 BUTN HD SCREW	79242	79242	79242	79242
14	KEY (.187 X .187 X 3/4)	12509	12509	12509	12509
15	SET SCREW 1/4-20 X 3/8	74125	74125	74125	74125
16	HUB	16707	16707	16707	16707
17	SOCKET HEAD 1/4-20 SCREW	77893	77893	77893	77893
18	LEFT SPRING & DUMP BAR ASSEMBLY (assembly includes items listed below)	16710		16710	
	RIGHT SPRING & DUMP BAR ASSEMBLY (assembly includes items listed below)		16709		16709
19	COLLAR	74661	74661	74661	74661
20	SET SCREW, 5/16-18 X 5/8 (3 req'd. per collar)	74662	74662	74662	74662
21	TORSION SPRING	74660	74660	74660	74660
22	SPACER	74658	74658	74658	74658
23*	SPACER,LARGE (DUMP SIDE) - Concave side fits up against bracket weld on Dump Bar Shaft	74659	74659	74659	74659
24	RIGHT DUMP BAR WELDMENT		16705		16705
	LEFT DUMP SHAFT WELDMENT	16706		16706	
25	SPACER,LARGE (CUSTOMER SIDE)	74690	74690	74690	74690



## Cabinet Exterior/Spring Assembly – Parts List

Item	Part Description	Part No.			
		2174DEL	2174DER	2175DEL	2175DER
1	KETTLE LEAD IN ASSY (includes connectors)	48769	48769	48769	48769
2**	LEAD-IN CORD ASSY.	47580	47580	41034	41034
3	STRAIN RELIEF T&B 3304	82227	82227	82227	82227
4	1/4-20x3/4 BUTTON HD SC	67927	67927	67927	67927
5	HEX NUT 1/4-20 ESLOK	42361	42361	42361	42361
6	KETTLE MTNG BRKT MACHINED	106060	106060	106060	106060
7	SPRING RETAINER ROD	82551	82551	82551	82551
8	SET COLLAR 1/2ID X 7/8OD	47326	47326	47326	47326
9	SET SCREW 1/4-20 X 3/16 (1 req'd. per collar)	47751	47751	47751	47751
10	GRIP, HANDLE BAR	46028	46028	46028	46028
11	TILT LEVER 1/2X3/4 CD BAR	46006	46006	46006	46006
12	1/4-20 SERRATED LOCK NUT (top side of bracket use a 1/4-20 ESLOK Hex Nut)	46311	46311	46311	46311
13	1/4-20X1/2 BUTN HD SCREW	79242	79242	79242	79242
14	KEY (.187 X .187 X 3/4)	12509	12509	12509	12509
15	SET SCREW 1/4-20 X 3/8	74125	74125	74125	74125
16	HUB	16707	16707	16707	16707
17	SOCKET HEAD 1/4-20 SCREW	77893	77893	77893	77893
18	LEFT SPRING & DUMP BAR ASSEMBLY (assembly includes items listed below)	16710		16710	
	RIGHT SPRING & DUMP BAR ASSEMBLY (assembly includes items listed below)		16709		16709
19	COLLAR	74661	74661	74661	74661
20	SET SCREW, 5/16-18 X 5/8 (3 req'd. per collar)	74662	74662	74662	74662
21	TORSION SPRING	74660	74660	74660	74660
22	SPACER	74658	74658	74658	74658
23*	SPACER,LARGE (DUMP SIDE) - Concave side fits up against bracket weld on Dump Bar Shaft	74659	74659	74659	74659
24	RIGHT DUMP BAR WELDMENT		16705		16705
	LEFT DUMP SHAFT WELDMENT	16706		16706	
25	SPACER,LARGE (CUSTOMER SIDE)	74690	74690	74690	74690



## Cabinet Exterior/Spring Assembly – Parts List

Item	Part Description	Part No.			
		2174DEL	2174DER	2175DEL	2175DER
1	KETTLE LEAD IN ASSY (includes connectors)	48769	48769	48769	48769
2**	LEAD-IN CORD ASSY.	47580	47580	41034	41034
3	STRAIN RELIEF T&B 3304	82227	82227	82227	82227
4	1/4-20x3/4 BUTTON HD SC	67927	67927	67927	67927
5	HEX NUT 1/4-20 ESLOK	42361	42361	42361	42361
6	KETTLE MTNG BRKT MACHINED	106060	106060	106060	106060
7	SPRING RETAINER ROD	82551	82551	82551	82551
8	SET COLLAR 1/2ID X 7/8OD	47326	47326	47326	47326
9	SET SCREW 1/4-20 X 3/16 (1 req'd. per collar)	47751	47751	47751	47751
10	GRIP, HANDLE BAR	46028	46028	46028	46028
11	TILT LEVER 1/2X3/4 CD BAR	46006	46006	46006	46006
12	1/4-20 SERRATED LOCK NUT (top side of bracket use a 1/4-20 ESLOK Hex Nut)	46311	46311	46311	46311
13	1/4-20X1/2 BUTN HD SCREW	79242	79242	79242	79242
14	KEY (.187 X .187 X 3/4)	12509	12509	12509	12509
15	SET SCREW 1/4-20 X 3/8	74125	74125	74125	74125
16	HUB	16707	16707	16707	16707
17	SOCKET HEAD 1/4-20 SCREW	77893	77893	77893	77893
18	LEFT SPRING & DUMP BAR ASSEMBLY (assembly includes items listed below)	16710		16710	
	RIGHT SPRING & DUMP BAR ASSEMBLY (assembly includes items listed below)		16709		16709
19	COLLAR	74661	74661	74661	74661
20	SET SCREW, 5/16-18 X 5/8 (3 req'd. per collar)	74662	74662	74662	74662
21	TORSION SPRING	74660	74660	74660	74660
22	SPACER	74658	74658	74658	74658
23*	SPACER,LARGE (DUMP SIDE) - Concave side fits up against bracket weld on Dump Bar Shaft	74659	74659	74659	74659
24	RIGHT DUMP BAR WELDMENT		16705		16705
	LEFT DUMP SHAFT WELDMENT	16706		16706	
25	SPACER,LARGE (CUSTOMER SIDE)	74690	74690	74690	74690



## Cabinet Exterior/Spring Assembly – Parts List

Item	Part Description	Part No.			
		2174DEL	2174DER	2175DEL	2175DER
1	KETTLE LEAD IN ASSY (includes connectors)	48769	48769	48769	48769
2**	LEAD-IN CORD ASSY.	47580	47580	41034	41034
3	STRAIN RELIEF T&B 3304	82227	82227	82227	82227
4	1/4-20x3/4 BUTTON HD SC	67927	67927	67927	67927
5	HEX NUT 1/4-20 ESLOK	42361	42361	42361	42361
6	KETTLE MTNG BRKT MACHINED	106060	106060	106060	106060
7	SPRING RETAINER ROD	82551	82551	82551	82551
8	SET COLLAR 1/2ID X 7/8OD	47326	47326	47326	47326
9	SET SCREW 1/4-20 X 3/16 (1 req'd. per collar)	47751	47751	47751	47751
10	GRIP, HANDLE BAR	46028	46028	46028	46028
11	TILT LEVER 1/2X3/4 CD BAR	46006	46006	46006	46006
12	1/4-20 SERRATED LOCK NUT (top side of bracket use a 1/4-20 ESLOK Hex Nut)	46311	46311	46311	46311
13	1/4-20X1/2 BUTN HD SCREW	79242	79242	79242	79242
14	KEY (.187 X .187 X 3/4)	12509	12509	12509	12509
15	SET SCREW 1/4-20 X 3/8	74125	74125	74125	74125
16	HUB	16707	16707	16707	16707
17	SOCKET HEAD 1/4-20 SCREW	77893	77893	77893	77893
18	LEFT SPRING & DUMP BAR ASSEMBLY (assembly includes items listed below)	16710		16710	
	RIGHT SPRING & DUMP BAR ASSEMBLY (assembly includes items listed below)		16709		16709
19	COLLAR	74661	74661	74661	74661
20	SET SCREW, 5/16-18 X 5/8 (3 req'd. per collar)	74662	74662	74662	74662
21	TORSION SPRING	74660	74660	74660	74660
22	SPACER	74658	74658	74658	74658
23*	SPACER,LARGE (DUMP SIDE) - Concave side fits up against bracket weld on Dump Bar Shaft	74659	74659	74659	74659
24	RIGHT DUMP BAR WELDMENT		16705		16705
	LEFT DUMP SHAFT WELDMENT	16706		16706	
25	SPACER,LARGE (CUSTOMER SIDE)	74690	74690	74690	74690



## Cabinet Exterior/Spring Assembly – Parts List

Item	Part Description	Part No.			
		2174DEL	2174DER	2175DEL	2175DER
1	KETTLE LEAD IN ASSY (includes connectors)	48769	48769	48769	48769
2**	LEAD-IN CORD ASSY.	47580	47580	41034	41034
3	STRAIN RELIEF T&B 3304	82227	82227	82227	82227
4	1/4-20x3/4 BUTTON HD SC	67927	67927	67927	67927
5	HEX NUT 1/4-20 ESLOK	42361	42361	42361	42361
6	KETTLE MTNG BRKT MACHINED	106060	106060	106060	106060
7	SPRING RETAINER ROD	82551	82551	82551	82551
8	SET COLLAR 1/2ID X 7/8OD	47326	47326	47326	47326
9	SET SCREW 1/4-20 X 3/16 (1 req'd. per collar)	47751	47751	47751	47751
10	GRIP, HANDLE BAR	46028	46028	46028	46028
11	TILT LEVER 1/2X3/4 CD BAR	46006	46006	46006	46006
12	1/4-20 SERRATED LOCK NUT (top side of bracket use a 1/4-20 ESLOK Hex Nut)	46311	46311	46311	46311
13	1/4-20X1/2 BUTN HD SCREW	79242	79242	79242	79242
14	KEY (.187 X .187 X 3/4)	12509	12509	12509	12509
15	SET SCREW 1/4-20 X 3/8	74125	74125	74125	74125
16	HUB	16707	16707	16707	16707
17	SOCKET HEAD 1/4-20 SCREW	77893	77893	77893	77893
18	LEFT SPRING & DUMP BAR ASSEMBLY (assembly includes items listed below)	16710		16710	
	RIGHT SPRING & DUMP BAR ASSEMBLY (assembly includes items listed below)		16709		16709
19	COLLAR	74661	74661	74661	74661
20	SET SCREW, 5/16-18 X 5/8 (3 req'd. per collar)	74662	74662	74662	74662
21	TORSION SPRING	74660	74660	74660	74660
22	SPACER	74658	74658	74658	74658
23*	SPACER,LARGE (DUMP SIDE) - Concave side fits up against bracket weld on Dump Bar Shaft	74659	74659	74659	74659
24	RIGHT DUMP BAR WELDMENT		16705		16705
	LEFT DUMP SHAFT WELDMENT	16706		16706	
25	SPACER,LARGE (CUSTOMER SIDE)	74690	74690	74690	74690



## Cabinet Exterior/Spring Assembly – Parts List

Item	Part Description	Part No.			
		2174DEL	2174DER	2175DEL	2175DER
1	KETTLE LEAD IN ASSY (includes connectors)	48769	48769	48769	48769
2**	LEAD-IN CORD ASSY.	47580	47580	41034	41034
3	STRAIN RELIEF T&B 3304	82227	82227	82227	82227
4	1/4-20x3/4 BUTTON HD SC	67927	67927	67927	67927
5	HEX NUT 1/4-20 ESLOK	42361	42361	42361	42361
6	KETTLE MTNG BRKT MACHINED	106060	106060	106060	106060
7	SPRING RETAINER ROD	82551	82551	82551	82551
8	SET COLLAR 1/2ID X 7/8OD	47326	47326	47326	47326
9	SET SCREW 1/4-20 X 3/16 (1 req'd. per collar)	47751	47751	47751	47751
10	GRIP, HANDLE BAR	46028	46028	46028	46028
11	TILT LEVER 1/2X3/4 CD BAR	46006	46006	46006	46006
12	1/4-20 SERRATED LOCK NUT (top side of bracket use a 1/4-20 ESLOK Hex Nut)	46311	46311	46311	46311
13	1/4-20X1/2 BUTN HD SCREW	79242	79242	79242	79242
14	KEY (.187 X .187 X 3/4)	12509	12509	12509	12509
15	SET SCREW 1/4-20 X 3/8	74125	74125	74125	74125
16	HUB	16707	16707	16707	16707
17	SOCKET HEAD 1/4-20 SCREW	77893	77893	77893	77893
18	LEFT SPRING & DUMP BAR ASSEMBLY (assembly includes items listed below)	16710		16710	
	RIGHT SPRING & DUMP BAR ASSEMBLY (assembly includes items listed below)		16709		16709
19	COLLAR	74661	74661	74661	74661
20	SET SCREW, 5/16-18 X 5/8 (3 req'd. per collar)	74662	74662	74662	74662
21	TORSION SPRING	74660	74660	74660	74660
22	SPACER	74658	74658	74658	74658
23*	SPACER,LARGE (DUMP SIDE) - Concave side fits up against bracket weld on Dump Bar Shaft	74659	74659	74659	74659
24	RIGHT DUMP BAR WELDMENT		16705		16705
	LEFT DUMP SHAFT WELDMENT	16706		16706	
25	SPACER,LARGE (CUSTOMER SIDE)	74690	74690	74690	74690



## Cabinet Exterior/Spring Assembly – Parts List

Item	Part Description	Part No.			
		2174DEL	2174DER	2175DEL	2175DER
1	KETTLE LEAD IN ASSY (includes connectors)	48769	48769	48769	48769
2**	LEAD-IN CORD ASSY.	47580	47580	41034	41034
3	STRAIN RELIEF T&B 3304	82227	82227	82227	82227
4	1/4-20x3/4 BUTTON HD SC	67927	67927	67927	67927
5	HEX NUT 1/4-20 ESLOK	42361	42361	42361	42361
6	KETTLE MTNG BRKT MACHINED	106060	106060	106060	106060
7	SPRING RETAINER ROD	82551	82551	82551	82551
8	SET COLLAR 1/2ID X 7/8OD	47326	47326	47326	47326
9	SET SCREW 1/4-20 X 3/16 (1 req'd. per collar)	47751	47751	47751	47751
10	GRIP, HANDLE BAR	46028	46028	46028	46028
11	TILT LEVER 1/2X3/4 CD BAR	46006	46006	46006	46006
12	1/4-20 SERRATED LOCK NUT (top side of bracket use a 1/4-20 ESLOK Hex Nut)	46311	46311	46311	46311
13	1/4-20X1/2 BUTN HD SCREW	79242	79242	79242	79242
14	KEY (.187 X .187 X 3/4)	12509	12509	12509	12509
15	SET SCREW 1/4-20 X 3/8	74125	74125	74125	74125
16	HUB	16707	16707	16707	16707
17	SOCKET HEAD 1/4-20 SCREW	77893	77893	77893	77893
18	LEFT SPRING & DUMP BAR ASSEMBLY (assembly includes items listed below)	16710		16710	
	RIGHT SPRING & DUMP BAR ASSEMBLY (assembly includes items listed below)		16709		16709
19	COLLAR	74661	74661	74661	74661
20	SET SCREW, 5/16-18 X 5/8 (3 req'd. per collar)	74662	74662	74662	74662
21	TORSION SPRING	74660	74660	74660	74660
22	SPACER	74658	74658	74658	74658
23*	SPACER,LARGE (DUMP SIDE) - Concave side fits up against bracket weld on Dump Bar Shaft	74659	74659	74659	74659
24	RIGHT DUMP BAR WELDMENT		16705		16705
	LEFT DUMP SHAFT WELDMENT	16706		16706	
25	SPACER,LARGE (CUSTOMER SIDE)	74690	74690	74690	74690



## Cabinet Exterior/Spring Assembly – Parts List

Item	Part Description	Part No.			
		2174DEL	2174DER	2175DEL	2175DER
1	KETTLE LEAD IN ASSY (includes connectors)	48769	48769	48769	48769
2**	LEAD-IN CORD ASSY.	47580	47580	41034	41034
3	STRAIN RELIEF T&B 3304	82227	82227	82227	82227
4	1/4-20x3/4 BUTTON HD SC	67927	67927	67927	67927
5	HEX NUT 1/4-20 ESLOK	42361	42361	42361	42361
6	KETTLE MTNG BRKT MACHINED	106060	106060	106060	106060
7	SPRING RETAINER ROD	82551	82551	82551	82551
8	SET COLLAR 1/2ID X 7/8OD	47326	47326	47326	47326
9	SET SCREW 1/4-20 X 3/16 (1 req'd. per collar)	47751	47751	47751	47751
10	GRIP, HANDLE BAR	46028	46028	46028	46028
11	TILT LEVER 1/2X3/4 CD BAR	46006	46006	46006	46006
12	1/4-20 SERRATED LOCK NUT (top side of bracket use a 1/4-20 ESLOK Hex Nut)	46311	46311	46311	46311
13	1/4-20X1/2 BUTN HD SCREW	79242	79242	79242	79242
14	KEY (.187 X .187 X 3/4)	12509	12509	12509	12509
15	SET SCREW 1/4-20 X 3/8	74125	74125	74125	74125
16	HUB	16707	16707	16707	16707
17	SOCKET HEAD 1/4-20 SCREW	77893	77893	77893	77893
18	LEFT SPRING & DUMP BAR ASSEMBLY (assembly includes items listed below)	16710		16710	
	RIGHT SPRING & DUMP BAR ASSEMBLY (assembly includes items listed below)		16709		16709
19	COLLAR	74661	74661	74661	74661
20	SET SCREW, 5/16-18 X 5/8 (3 req'd. per collar)	74662	74662	74662	74662
21	TORSION SPRING	74660	74660	74660	74660
22	SPACER	74658	74658	74658	74658
23*	SPACER,LARGE (DUMP SIDE) - Concave side fits up against bracket weld on Dump Bar Shaft	74659	74659	74659	74659
24	RIGHT DUMP BAR WELDMENT		16705		16705
	LEFT DUMP SHAFT WELDMENT	16706		16706	
25	SPACER,LARGE (CUSTOMER SIDE)	74690	74690	74690	74690



## Cabinet Exterior/Spring Assembly – Parts List

Item	Part Description	Part No.			
		2174DEL	2174DER	2175DEL	2175DER
1	KETTLE LEAD IN ASSY (includes connectors)	48769	48769	48769	48769
2**	LEAD-IN CORD ASSY.	47580	47580	41034	41034
3	STRAIN RELIEF T&B 3304	82227	82227	82227	82227
4	1/4-20x3/4 BUTTON HD SC	67927	67927	67927	67927
5	HEX NUT 1/4-20 ESLOK	42361	42361	42361	42361
6	KETTLE MTNG BRKT MACHINED	106060	106060	106060	106060
7	SPRING RETAINER ROD	82551	82551	82551	82551
8	SET COLLAR 1/2ID X 7/8OD	47326	47326	47326	47326
9	SET SCREW 1/4-20 X 3/16 (1 req'd. per collar)	47751	47751	47751	47751
10	GRIP, HANDLE BAR	46028	46028	46028	46028
11	TILT LEVER 1/2X3/4 CD BAR	46006	46006	46006	46006
12	1/4-20 SERRATED LOCK NUT (top side of bracket use a 1/4-20 ESLOK Hex Nut)	46311	46311	46311	46311
13	1/4-20X1/2 BUTN HD SCREW	79242	79242	79242	79242
14	KEY (.187 X .187 X 3/4)	12509	12509	12509	12509
15	SET SCREW 1/4-20 X 3/8	74125	74125	74125	74125
16	HUB	16707	16707	16707	16707
17	SOCKET HEAD 1/4-20 SCREW	77893	77893	77893	77893
18	LEFT SPRING & DUMP BAR ASSEMBLY (assembly includes items listed below)	16710		16710	
	RIGHT SPRING & DUMP BAR ASSEMBLY (assembly includes items listed below)		16709		16709
19	COLLAR	74661	74661	74661	74661
20	SET SCREW, 5/16-18 X 5/8 (3 req'd. per collar)	74662	74662	74662	74662
21	TORSION SPRING	74660	74660	74660	74660
22	SPACER	74658	74658	74658	74658
23*	SPACER,LARGE (DUMP SIDE) - Concave side fits up against bracket weld on Dump Bar Shaft	74659	74659	74659	74659
24	RIGHT DUMP BAR WELDMENT		16705		16705
	LEFT DUMP SHAFT WELDMENT	16706		16706	
25	SPACER,LARGE (CUSTOMER SIDE)	74690	74690	74690	74690



## Cabinet Exterior/Spring Assembly – Parts List

Item	Part Description	Part No.			
		2174DEL	2174DER	2175DEL	2175DER
1	KETTLE LEAD IN ASSY (includes connectors)	48769	48769	48769	48769
2**	LEAD-IN CORD ASSY.	47580	47580	41034	41034
3	STRAIN RELIEF T&B 3304	82227	82227	82227	82227
4	1/4-20x3/4 BUTTON HD SC	67927	67927	67927	67927
5	HEX NUT 1/4-20 ESLOK	42361	42361	42361	42361
6	KETTLE MTNG BRKT MACHINED	106060	106060	106060	106060
7	SPRING RETAINER ROD	82551	82551	82551	82551
8	SET COLLAR 1/2ID X 7/8OD	47326	47326	47326	47326
9	SET SCREW 1/4-20 X 3/16 (1 req'd. per collar)	47751	47751	47751	47751
10	GRIP, HANDLE BAR	46028	46028	46028	46028
11	TILT LEVER 1/2X3/4 CD BAR	46006	46006	46006	46006
12	1/4-20 SERRATED LOCK NUT (top side of bracket use a 1/4-20 ESLOK Hex Nut)	46311	46311	46311	46311
13	1/4-20X1/2 BUTN HD SCREW	79242	79242	79242	79242
14	KEY (.187 X .187 X 3/4)	12509	12509	12509	12509
15	SET SCREW 1/4-20 X 3/8	74125	74125	74125	74125
16	HUB	16707	16707	16707	16707
17	SOCKET HEAD 1/4-20 SCREW	77893	77893	77893	77893
18	LEFT SPRING & DUMP BAR ASSEMBLY (assembly includes items listed below)	16710		16710	
	RIGHT SPRING & DUMP BAR ASSEMBLY (assembly includes items listed below)		16709		16709
19	COLLAR	74661	74661	74661	74661
20	SET SCREW, 5/16-18 X 5/8 (3 req'd. per collar)	74662	74662	74662	74662
21	TORSION SPRING	74660	74660	74660	74660
22	SPACER	74658	74658	74658	74658
23*	SPACER,LARGE (DUMP SIDE) - Concave side fits up against bracket weld on Dump Bar Shaft	74659	74659	74659	74659
24	RIGHT DUMP BAR WELDMENT		16705		16705
	LEFT DUMP SHAFT WELDMENT	16706		16706	
25	SPACER,LARGE (CUSTOMER SIDE)	74690	74690	74690	74690



## Cabinet Exterior/Spring Assembly – Parts List

Item	Part Description	Part No.			
		2174DEL	2174DER	2175DEL	2175DER
1	KETTLE LEAD IN ASSY (includes connectors)	48769	48769	48769	48769
2**	LEAD-IN CORD ASSY.	47580	47580	41034	41034
3	STRAIN RELIEF T&B 3304	82227	82227	82227	82227
4	1/4-20x3/4 BUTTON HD SC	67927	67927	67927	67927
5	HEX NUT 1/4-20 ESLOK	42361	42361	42361	42361
6	KETTLE MTNG BRKT MACHINED	106060	106060	106060	106060
7	SPRING RETAINER ROD	82551	82551	82551	82551
8	SET COLLAR 1/2ID X 7/8OD	47326	47326	47326	47326
9	SET SCREW 1/4-20 X 3/16 (1 req'd. per collar)	47751	47751	47751	47751
10	GRIP, HANDLE BAR	46028	46028	46028	46028
11	TILT LEVER 1/2X3/4 CD BAR	46006	46006	46006	46006
12	1/4-20 SERRATED LOCK NUT (top side of bracket use a 1/4-20 ESLOK Hex Nut)	46311	46311	46311	46311
13	1/4-20X1/2 BUTN HD SCREW	79242	79242	79242	79242
14	KEY (.187 X .187 X 3/4)	12509	12509	12509	12509
15	SET SCREW 1/4-20 X 3/8	74125	74125	74125	74125
16	HUB	16707	16707	16707	16707
17	SOCKET HEAD 1/4-20 SCREW	77893	77893	77893	77893
18	LEFT SPRING & DUMP BAR ASSEMBLY (assembly includes items listed below)	16710		16710	
	RIGHT SPRING & DUMP BAR ASSEMBLY (assembly includes items listed below)		16709		16709
19	COLLAR	74661	74661	74661	74661
20	SET SCREW, 5/16-18 X 5/8 (3 req'd. per collar)	74662	74662	74662	74662
21	TORSION SPRING	74660	74660	74660	74660
22	SPACER	74658	74658	74658	74658
23*	SPACER,LARGE (DUMP SIDE) - Concave side fits up against bracket weld on Dump Bar Shaft	74659	74659	74659	74659
24	RIGHT DUMP BAR WELDMENT		16705		16705
	LEFT DUMP SHAFT WELDMENT	16706		16706	
25	SPACER,LARGE (CUSTOMER SIDE)	74690	74690	74690	74690



## Cabinet Exterior/Spring Assembly – Parts List

Item	Part Description	Part No.			
		2174DEL	2174DER	2175DEL	2175DER
1	KETTLE LEAD IN ASSY (includes connectors)	48769	48769	48769	48769
2**	LEAD-IN CORD ASSY.	47580	47580	41034	41034
3	STRAIN RELIEF T&B 3304	82227	82227	82227	82227
4	1/4-20x3/4 BUTTON HD SC	67927	67927	67927	67927
5	HEX NUT 1/4-20 ESLOK	42361	42361	42361	42361
6	KETTLE MTNG BRKT MACHINED	106060	106060	106060	106060
7	SPRING RETAINER ROD	82551	82551	82551	82551
8	SET COLLAR 1/2ID X 7/8OD	47326	47326	47326	47326
9	SET SCREW 1/4-20 X 3/16 (1 req'd. per collar)	47751	47751	47751	47751
10	GRIP, HANDLE BAR	46028	46028	46028	46028
11	TILT LEVER 1/2X3/4 CD BAR	46006	46006	46006	46006
12	1/4-20 SERRATED LOCK NUT (top side of bracket use a 1/4-20 ESLOK Hex Nut)	46311	46311	46311	46311
13	1/4-20X1/2 BUTN HD SCREW	79242	79242	79242	79242
14	KEY (.187 X .187 X 3/4)	12509	12509	12509	12509
15	SET SCREW 1/4-20 X 3/8	74125	74125	74125	74125
16	HUB	16707	16707	16707	16707
17	SOCKET HEAD 1/4-20 SCREW	77893	77893	77893	77893
18	LEFT SPRING & DUMP BAR ASSEMBLY (assembly includes items listed below)	16710		16710	
	RIGHT SPRING & DUMP BAR ASSEMBLY (assembly includes items listed below)		16709		16709
19	COLLAR	74661	74661	74661	74661
20	SET SCREW, 5/16-18 X 5/8 (3 req'd. per collar)	74662	74662	74662	74662
21	TORSION SPRING	74660	74660	74660	74660
22	SPACER	74658	74658	74658	74658
23*	SPACER,LARGE (DUMP SIDE) - Concave side fits up against bracket weld on Dump Bar Shaft	74659	74659	74659	74659
24	RIGHT DUMP BAR WELDMENT		16705		16705
	LEFT DUMP SHAFT WELDMENT	16706		16706	
25	SPACER,LARGE (CUSTOMER SIDE)	74690	74690	74690	74690



## Cabinet Exterior/Spring Assembly – Parts List

Item	Part Description	Part No.			
		2174DEL	2174DER	2175DEL	2175DER
1	KETTLE LEAD IN ASSY (includes connectors)	48769	48769	48769	48769
2**	LEAD-IN CORD ASSY.	47580	47580	41034	41034
3	STRAIN RELIEF T&B 3304	82227	82227	82227	82227
4	1/4-20x3/4 BUTTON HD SC	67927	67927	67927	67927
5	HEX NUT 1/4-20 ESLOK	42361	42361	42361	42361
6	KETTLE MTNG BRKT MACHINED	106060	106060	106060	106060
7	SPRING RETAINER ROD	82551	82551	82551	82551
8	SET COLLAR 1/2ID X 7/8OD	47326	47326	47326	47326
9	SET SCREW 1/4-20 X 3/16 (1 req'd. per collar)	47751	47751	47751	47751
10	GRIP, HANDLE BAR	46028	46028	46028	46028
11	TILT LEVER 1/2X3/4 CD BAR	46006	46006	46006	46006
12	1/4-20 SERRATED LOCK NUT (top side of bracket use a 1/4-20 ESLOK Hex Nut)	46311	46311	46311	46311
13	1/4-20X1/2 BUTN HD SCREW	79242	79242	79242	79242
14	KEY (.187 X .187 X 3/4)	12509	12509	12509	12509
15	SET SCREW 1/4-20 X 3/8	74125	74125	74125	74125
16	HUB	16707	16707	16707	16707
17	SOCKET HEAD 1/4-20 SCREW	77893	77893	77893	77893
18	LEFT SPRING & DUMP BAR ASSEMBLY (assembly includes items listed below)	16710		16710	
	RIGHT SPRING & DUMP BAR ASSEMBLY (assembly includes items listed below)		16709		16709
19	COLLAR	74661	74661	74661	74661
20	SET SCREW, 5/16-18 X 5/8 (3 req'd. per collar)	74662	74662	74662	74662
21	TORSION SPRING	74660	74660	74660	74660
22	SPACER	74658	74658	74658	74658
23*	SPACER,LARGE (DUMP SIDE) - Concave side fits up against bracket weld on Dump Bar Shaft	74659	74659	74659	74659
24	RIGHT DUMP BAR WELDMENT		16705		16705
	LEFT DUMP SHAFT WELDMENT	16706		16706	
25	SPACER,LARGE (CUSTOMER SIDE)	74690	74690	74690	74690



## Cabinet Exterior/Spring Assembly – Parts List

Item	Part Description	Part No.			
		2174DEL	2174DER	2175DEL	2175DER
1	KETTLE LEAD IN ASSY (includes connectors)	48769	48769	48769	48769
2**	LEAD-IN CORD ASSY.	47580	47580	41034	41034
3	STRAIN RELIEF T&B 3304	82227	82227	82227	82227
4	1/4-20x3/4 BUTTON HD SC	67927	67927	67927	67927
5	HEX NUT 1/4-20 ESLOK	42361	42361	42361	42361
6	KETTLE MTNG BRKT MACHINED	106060	106060	106060	106060
7	SPRING RETAINER ROD	82551	82551	82551	82551
8	SET COLLAR 1/2ID X 7/8OD	47326	47326	47326	47326
9	SET SCREW 1/4-20 X 3/16 (1 req'd. per collar)	47751	47751	47751	47751
10	GRIP, HANDLE BAR	46028	46028	46028	46028
11	TILT LEVER 1/2X3/4 CD BAR	46006	46006	46006	46006
12	1/4-20 SERRATED LOCK NUT (top side of bracket use a 1/4-20 ESLOK Hex Nut)	46311	46311	46311	46311
13	1/4-20X1/2 BUTN HD SCREW	79242	79242	79242	79242
14	KEY (.187 X .187 X 3/4)	12509	12509	12509	12509
15	SET SCREW 1/4-20 X 3/8	74125	74125	74125	74125
16	HUB	16707	16707	16707	16707
17	SOCKET HEAD 1/4-20 SCREW	77893	77893	77893	77893
18	LEFT SPRING & DUMP BAR ASSEMBLY (assembly includes items listed below)	16710		16710	
	RIGHT SPRING & DUMP BAR ASSEMBLY (assembly includes items listed below)		16709		16709
19	COLLAR	74661	74661	74661	74661
20	SET SCREW, 5/16-18 X 5/8 (3 req'd. per collar)	74662	74662	74662	74662
21	TORSION SPRING	74660	74660	74660	74660
22	SPACER	74658	74658	74658	74658
23*	SPACER,LARGE (DUMP SIDE) - Concave side fits up against bracket weld on Dump Bar Shaft	74659	74659	74659	74659
24	RIGHT DUMP BAR WELDMENT		16705		16705
	LEFT DUMP SHAFT WELDMENT	16706		16706	
25	SPACER,LARGE (CUSTOMER SIDE)	74690	74690	74690	74690



## Cabinet Exterior/Spring Assembly – Parts List

Item	Part Description	Part No.			
		2174DEL	2174DER	2175DEL	2175DER
1	KETTLE LEAD IN ASSY (includes connectors)	48769	48769	48769	48769
2**	LEAD-IN CORD ASSY.	47580	47580	41034	41034
3	STRAIN RELIEF T&B 3304	82227	82227	82227	82227
4	1/4-20x3/4 BUTTON HD SC	67927	67927	67927	67927
5	HEX NUT 1/4-20 ESLOK	42361	42361	42361	42361
6	KETTLE MTNG BRKT MACHINED	106060	106060	106060	106060
7	SPRING RETAINER ROD	82551	82551	82551	82551
8	SET COLLAR 1/2ID X 7/8OD	47326	47326	47326	47326
9	SET SCREW 1/4-20 X 3/16 (1 req'd. per collar)	47751	47751	47751	47751
10	GRIP, HANDLE BAR	46028	46028	46028	46028
11	TILT LEVER 1/2X3/4 CD BAR	46006	46006	46006	46006
12	1/4-20 SERRATED LOCK NUT (top side of bracket use a 1/4-20 ESLOK Hex Nut)	46311	46311	46311	46311
13	1/4-20X1/2 BUTN HD SCREW	79242	79242	79242	79242
14	KEY (.187 X .187 X 3/4)	12509	12509	12509	12509
15	SET SCREW 1/4-20 X 3/8	74125	74125	74125	74125
16	HUB	16707	16707	16707	16707
17	SOCKET HEAD 1/4-20 SCREW	77893	77893	77893	77893
18	LEFT SPRING & DUMP BAR ASSEMBLY (assembly includes items listed below)	16710		16710	
	RIGHT SPRING & DUMP BAR ASSEMBLY (assembly includes items listed below)		16709		16709
19	COLLAR	74661	74661	74661	74661
20	SET SCREW, 5/16-18 X 5/8 (3 req'd. per collar)	74662	74662	74662	74662
21	TORSION SPRING	74660	74660	74660	74660
22	SPACER	74658	74658	74658	74658
23*	SPACER,LARGE (DUMP SIDE) - Concave side fits up against bracket weld on Dump Bar Shaft	74659	74659	74659	74659
24	RIGHT DUMP BAR WELDMENT		16705		16705
	LEFT DUMP SHAFT WELDMENT	16706		16706	
25	SPACER,LARGE (CUSTOMER SIDE)	74690	74690	74690	74690



## Cabinet Exterior/Spring Assembly – Parts List

Item	Part Description	Part No.			
		2174DEL	2174DER	2175DEL	2175DER
1	KETTLE LEAD IN ASSY (includes connectors)	48769	48769	48769	48769
2**	LEAD-IN CORD ASSY.	47580	47580	41034	41034
3	STRAIN RELIEF T&B 3304	82227	82227	82227	82227
4	1/4-20x3/4 BUTTON HD SC	67927	67927	67927	67927
5	HEX NUT 1/4-20 ESLOK	42361	42361	42361	42361
6	KETTLE MTNG BRKT MACHINED	106060	106060	106060	106060
7	SPRING RETAINER ROD	82551	82551	82551	82551
8	SET COLLAR 1/2ID X 7/8OD	47326	47326	47326	47326
9	SET SCREW 1/4-20 X 3/16 (1 req'd. per collar)	47751	47751	47751	47751
10	GRIP, HANDLE BAR	46028	46028	46028	46028
11	TILT LEVER 1/2X3/4 CD BAR	46006	46006	46006	46006
12	1/4-20 SERRATED LOCK NUT (top side of bracket use a 1/4-20 ESLOK Hex Nut)	46311	46311	46311	46311
13	1/4-20X1/2 BUTN HD SCREW	79242	79242	79242	79242
14	KEY (.187 X .187 X 3/4)	12509	12509	12509	12509
15	SET SCREW 1/4-20 X 3/8	74125	74125	74125	74125
16	HUB	16707	16707	16707	16707
17	SOCKET HEAD 1/4-20 SCREW	77893	77893	77893	77893
18	LEFT SPRING & DUMP BAR ASSEMBLY (assembly includes items listed below)	16710		16710	
	RIGHT SPRING & DUMP BAR ASSEMBLY (assembly includes items listed below)		16709		16709
19	COLLAR	74661	74661	74661	74661
20	SET SCREW, 5/16-18 X 5/8 (3 req'd. per collar)	74662	74662	74662	74662
21	TORSION SPRING	74660	74660	74660	74660
22	SPACER	74658	74658	74658	74658
23*	SPACER,LARGE (DUMP SIDE) - Concave side fits up against bracket weld on Dump Bar Shaft	74659	74659	74659	74659
24	RIGHT DUMP BAR WELDMENT		16705		16705
	LEFT DUMP SHAFT WELDMENT	16706		16706	
25	SPACER,LARGE (CUSTOMER SIDE)	74690	74690	74690	74690



## Cabinet Exterior/Spring Assembly – Parts List

Item	Part Description	Part No.			
		2174DEL	2174DER	2175DEL	2175DER
1	KETTLE LEAD IN ASSY (includes connectors)	48769	48769	48769	48769
2**	LEAD-IN CORD ASSY.	47580	47580	41034	41034
3	STRAIN RELIEF T&B 3304	82227	82227	82227	82227
4	1/4-20x3/4 BUTTON HD SC	67927	67927	67927	67927
5	HEX NUT 1/4-20 ESLOK	42361	42361	42361	42361
6	KETTLE MTNG BRKT MACHINED	106060	106060	106060	106060
7	SPRING RETAINER ROD	82551	82551	82551	82551
8	SET COLLAR 1/2ID X 7/8OD	47326	47326	47326	47326
9	SET SCREW 1/4-20 X 3/16 (1 req'd. per collar)	47751	47751	47751	47751
10	GRIP, HANDLE BAR	46028	46028	46028	46028
11	TILT LEVER 1/2X3/4 CD BAR	46006	46006	46006	46006
12	1/4-20 SERRATED LOCK NUT (top side of bracket use a 1/4-20 ESLOK Hex Nut)	46311	46311	46311	46311
13	1/4-20X1/2 BUTN HD SCREW	79242	79242	79242	79242
14	KEY (.187 X .187 X 3/4)	12509	12509	12509	12509
15	SET SCREW 1/4-20 X 3/8	74125	74125	74125	74125
16	HUB	16707	16707	16707	16707
17	SOCKET HEAD 1/4-20 SCREW	77893	77893	77893	77893
18	LEFT SPRING & DUMP BAR ASSEMBLY (assembly includes items listed below)	16710		16710	
	RIGHT SPRING & DUMP BAR ASSEMBLY (assembly includes items listed below)		16709		16709
19	COLLAR	74661	74661	74661	74661
20	SET SCREW, 5/16-18 X 5/8 (3 req'd. per collar)	74662	74662	74662	74662
21	TORSION SPRING	74660	74660	74660	74660
22	SPACER	74658	74658	74658	74658
23*	SPACER,LARGE (DUMP SIDE) - Concave side fits up against bracket weld on Dump Bar Shaft	74659	74659	74659	74659
24	RIGHT DUMP BAR WELDMENT		16705		16705
	LEFT DUMP SHAFT WELDMENT	16706		16706	
25	SPACER,LARGE (CUSTOMER SIDE)	74690	74690	74690	74690



## Cabinet Exterior/Spring Assembly – Parts List

Item	Part Description	Part No.			
		2174DEL	2174DER	2175DEL	2175DER
1	KETTLE LEAD IN ASSY (includes connectors)	48769	48769	48769	48769
2**	LEAD-IN CORD ASSY.	47580	47580	41034	41034
3	STRAIN RELIEF T&B 3304	82227	82227	82227	82227
4	1/4-20x3/4 BUTTON HD SC	67927	67927	67927	67927
5	HEX NUT 1/4-20 ESLOK	42361	42361	42361	42361
6	KETTLE MTNG BRKT MACHINED	106060	106060	106060	106060
7	SPRING RETAINER ROD	82551	82551	82551	82551
8	SET COLLAR 1/2ID X 7/8OD	47326	47326	47326	47326
9	SET SCREW 1/4-20 X 3/16 (1 req'd. per collar)	47751	47751	47751	47751
10	GRIP, HANDLE BAR	46028	46028	46028	46028
11	TILT LEVER 1/2X3/4 CD BAR	46006	46006	46006	46006
12	1/4-20 SERRATED LOCK NUT (top side of bracket use a 1/4-20 ESLOK Hex Nut)	46311	46311	46311	46311
13	1/4-20X1/2 BUTN HD SCREW	79242	79242	79242	79242
14	KEY (.187 X .187 X 3/4)	12509	12509	12509	12509
15	SET SCREW 1/4-20 X 3/8	74125	74125	74125	74125
16	HUB	16707	16707	16707	16707
17	SOCKET HEAD 1/4-20 SCREW	77893	77893	77893	77893
18	LEFT SPRING & DUMP BAR ASSEMBLY (assembly includes items listed below)	16710		16710	
	RIGHT SPRING & DUMP BAR ASSEMBLY (assembly includes items listed below)		16709		16709
19	COLLAR	74661	74661	74661	74661
20	SET SCREW, 5/16-18 X 5/8 (3 req'd. per collar)	74662	74662	74662	74662
21	TORSION SPRING	74660	74660	74660	74660
22	SPACER	74658	74658	74658	74658
23*	SPACER,LARGE (DUMP SIDE) - Concave side fits up against bracket weld on Dump Bar Shaft	74659	74659	74659	74659
24	RIGHT DUMP BAR WELDMENT		16705		16705
	LEFT DUMP SHAFT WELDMENT	16706		16706	
25	SPACER,LARGE (CUSTOMER SIDE)	74690	74690	74690	74690



## Cabinet Exterior/Spring Assembly – Parts List

Item	Part Description	Part No.			
		2174DEL	2174DER	2175DEL	2175DER
1	KETTLE LEAD IN ASSY (includes connectors)	48769	48769	48769	48769
2**	LEAD-IN CORD ASSY.	47580	47580	41034	41034
3	STRAIN RELIEF T&B 3304	82227	82227	82227	82227
4	1/4-20x3/4 BUTTON HD SC	67927	67927	67927	67927
5	HEX NUT 1/4-20 ESLOK	42361	42361	42361	42361
6	KETTLE MTNG BRKT MACHINED	106060	106060	106060	106060
7	SPRING RETAINER ROD	82551	82551	82551	82551
8	SET COLLAR 1/2ID X 7/8OD	47326	47326	47326	47326
9	SET SCREW 1/4-20 X 3/16 (1 req'd. per collar)	47751	47751	47751	47751
10	GRIP, HANDLE BAR	46028	46028	46028	46028
11	TILT LEVER 1/2X3/4 CD BAR	46006	46006	46006	46006
12	1/4-20 SERRATED LOCK NUT (top side of bracket use a 1/4-20 ESLOK Hex Nut)	46311	46311	46311	46311
13	1/4-20X1/2 BUTN HD SCREW	79242	79242	79242	79242
14	KEY (.187 X .187 X 3/4)	12509	12509	12509	12509
15	SET SCREW 1/4-20 X 3/8	74125	74125	74125	74125
16	HUB	16707	16707	16707	16707
17	SOCKET HEAD 1/4-20 SCREW	77893	77893	77893	77893
18	LEFT SPRING & DUMP BAR ASSEMBLY (assembly includes items listed below)	16710		16710	
	RIGHT SPRING & DUMP BAR ASSEMBLY (assembly includes items listed below)		16709		16709
19	COLLAR	74661	74661	74661	74661
20	SET SCREW, 5/16-18 X 5/8 (3 req'd. per collar)	74662	74662	74662	74662
21	TORSION SPRING	74660	74660	74660	74660
22	SPACER	74658	74658	74658	74658
23*	SPACER,LARGE (DUMP SIDE) - Concave side fits up against bracket weld on Dump Bar Shaft	74659	74659	74659	74659
24	RIGHT DUMP BAR WELDMENT		16705		16705
	LEFT DUMP SHAFT WELDMENT	16706		16706	
25	SPACER,LARGE (CUSTOMER SIDE)	74690	74690	74690	74690



## Cabinet Exterior/Spring Assembly – Parts List

Item	Part Description	Part No.			
		2174DEL	2174DER	2175DEL	2175DER
1	KETTLE LEAD IN ASSY (includes connectors)	48769	48769	48769	48769
2**	LEAD-IN CORD ASSY.	47580	47580	41034	41034
3	STRAIN RELIEF T&B 3304	82227	82227	82227	82227
4	1/4-20x3/4 BUTTON HD SC	67927	67927	67927	67927
5	HEX NUT 1/4-20 ESLOK	42361	42361	42361	42361
6	KETTLE MTNG BRKT MACHINED	106060	106060	106060	106060
7	SPRING RETAINER ROD	82551	82551	82551	82551
8	SET COLLAR 1/2ID X 7/8OD	47326	47326	47326	47326
9	SET SCREW 1/4-20 X 3/16 (1 req'd. per collar)	47751	47751	47751	47751
10	GRIP, HANDLE BAR	46028	46028	46028	46028
11	TILT LEVER 1/2X3/4 CD BAR	46006	46006	46006	46006
12	1/4-20 SERRATED LOCK NUT (top side of bracket use a 1/4-20 ESLOK Hex Nut)	46311	46311	46311	46311
13	1/4-20X1/2 BUTN HD SCREW	79242	79242	79242	79242
14	KEY (.187 X .187 X 3/4)	12509	12509	12509	12509
15	SET SCREW 1/4-20 X 3/8	74125	74125	74125	74125
16	HUB	16707	16707	16707	16707
17	SOCKET HEAD 1/4-20 SCREW	77893	77893	77893	77893
18	LEFT SPRING & DUMP BAR ASSEMBLY (assembly includes items listed below)	16710		16710	
	RIGHT SPRING & DUMP BAR ASSEMBLY (assembly includes items listed below)		16709		16709
19	COLLAR	74661	74661	74661	74661
20	SET SCREW, 5/16-18 X 5/8 (3 req'd. per collar)	74662	74662	74662	74662
21	TORSION SPRING	74660	74660	74660	74660
22	SPACER	74658	74658	74658	74658
23*	SPACER,LARGE (DUMP SIDE) - Concave side fits up against bracket weld on Dump Bar Shaft	74659	74659	74659	74659
24	RIGHT DUMP BAR WELDMENT		16705		16705
	LEFT DUMP SHAFT WELDMENT	16706		16706	
25	SPACER,LARGE (CUSTOMER SIDE)	74690	74690	74690	74690



## Cabinet Exterior/Spring Assembly – Parts List

Item	Part Description	Part No.			
		2174DEL	2174DER	2175DEL	2175DER
1	KETTLE LEAD IN ASSY (includes connectors)	48769	48769	48769	48769
2**	LEAD-IN CORD ASSY.	47580	47580	41034	41034
3	STRAIN RELIEF T&B 3304	82227	82227	82227	82227
4	1/4-20x3/4 BUTTON HD SC	67927	67927	67927	67927
5	HEX NUT 1/4-20 ESLOK	42361	42361	42361	42361
6	KETTLE MTNG BRKT MACHINED	106060	106060	106060	106060
7	SPRING RETAINER ROD	82551	82551	82551	82551
8	SET COLLAR 1/2ID X 7/8OD	47326	47326	47326	47326
9	SET SCREW 1/4-20 X 3/16 (1 req'd. per collar)	47751	47751	47751	47751
10	GRIP, HANDLE BAR	46028	46028	46028	46028
11	TILT LEVER 1/2X3/4 CD BAR	46006	46006	46006	46006
12	1/4-20 SERRATED LOCK NUT (top side of bracket use a 1/4-20 ESLOK Hex Nut)	46311	46311	46311	46311
13	1/4-20X1/2 BUTN HD SCREW	79242	79242	79242	79242
14	KEY (.187 X .187 X 3/4)	12509	12509	12509	12509
15	SET SCREW 1/4-20 X 3/8	74125	74125	74125	74125
16	HUB	16707	16707	16707	16707
17	SOCKET HEAD 1/4-20 SCREW	77893	77893	77893	77893
18	LEFT SPRING & DUMP BAR ASSEMBLY (assembly includes items listed below)	16710		16710	
	RIGHT SPRING & DUMP BAR ASSEMBLY (assembly includes items listed below)		16709		16709
19	COLLAR	74661	74661	74661	74661
20	SET SCREW, 5/16-18 X 5/8 (3 req'd. per collar)	74662	74662	74662	74662
21	TORSION SPRING	74660	74660	74660	74660
22	SPACER	74658	74658	74658	74658
23*	SPACER,LARGE (DUMP SIDE) - Concave side fits up against bracket weld on Dump Bar Shaft	74659	74659	74659	74659
24	RIGHT DUMP BAR WELDMENT		16705		16705
	LEFT DUMP SHAFT WELDMENT	16706		16706	
25	SPACER,LARGE (CUSTOMER SIDE)	74690	74690	74690	74690



## Cabinet Exterior/Spring Assembly – Parts List

Item	Part Description	Part No.			
		2174DEL	2174DER	2175DEL	2175DER
1	KETTLE LEAD IN ASSY (includes connectors)	48769	48769	48769	48769
2**	LEAD-IN CORD ASSY.	47580	47580	41034	41034
3	STRAIN RELIEF T&B 3304	82227	82227	82227	82227
4	1/4-20x3/4 BUTTON HD SC	67927	67927	67927	67927
5	HEX NUT 1/4-20 ESLOK	42361	42361	42361	42361
6	KETTLE MTNG BRKT MACHINED	106060	106060	106060	106060
7	SPRING RETAINER ROD	82551	82551	82551	82551
8	SET COLLAR 1/2ID X 7/8OD	47326	47326	47326	47326
9	SET SCREW 1/4-20 X 3/16 (1 req'd. per collar)	47751	47751	47751	47751
10	GRIP, HANDLE BAR	46028	46028	46028	46028
11	TILT LEVER 1/2X3/4 CD BAR	46006	46006	46006	46006
12	1/4-20 SERRATED LOCK NUT (top side of bracket use a 1/4-20 ESLOK Hex Nut)	46311	46311	46311	46311
13	1/4-20X1/2 BUTN HD SCREW	79242	79242	79242	79242
14	KEY (.187 X .187 X 3/4)	12509	12509	12509	12509
15	SET SCREW 1/4-20 X 3/8	74125	74125	74125	74125
16	HUB	16707	16707	16707	16707
17	SOCKET HEAD 1/4-20 SCREW	77893	77893	77893	77893
18	LEFT SPRING & DUMP BAR ASSEMBLY (assembly includes items listed below)	16710		16710	
	RIGHT SPRING & DUMP BAR ASSEMBLY (assembly includes items listed below)		16709		16709
19	COLLAR	74661	74661	74661	74661
20	SET SCREW, 5/16-18 X 5/8 (3 req'd. per collar)	74662	74662	74662	74662
21	TORSION SPRING	74660	74660	74660	74660
22	SPACER	74658	74658	74658	74658
23*	SPACER,LARGE (DUMP SIDE) - Concave side fits up against bracket weld on Dump Bar Shaft	74659	74659	74659	74659
24	RIGHT DUMP BAR WELDMENT		16705		16705
	LEFT DUMP SHAFT WELDMENT	16706		16706	
25	SPACER,LARGE (CUSTOMER SIDE)	74690	74690	74690	74690



## Cabinet Exterior/Spring Assembly – Parts List

Item	Part Description	Part No.			
		2174DEL	2174DER	2175DEL	2175DER
1	KETTLE LEAD IN ASSY (includes connectors)	48769	48769	48769	48769
2**	LEAD-IN CORD ASSY.	47580	47580	41034	41034
3	STRAIN RELIEF T&B 3304	82227	82227	82227	82227
4	1/4-20x3/4 BUTTON HD SC	67927	67927	67927	67927
5	HEX NUT 1/4-20 ESLOK	42361	42361	42361	42361
6	KETTLE MTNG BRKT MACHINED	106060	106060	106060	106060
7	SPRING RETAINER ROD	82551	82551	82551	82551
8	SET COLLAR 1/2ID X 7/8OD	47326	47326	47326	47326
9	SET SCREW 1/4-20 X 3/16 (1 req'd. per collar)	47751	47751	47751	47751
10	GRIP, HANDLE BAR	46028	46028	46028	46028
11	TILT LEVER 1/2X3/4 CD BAR	46006	46006	46006	46006
12	1/4-20 SERRATED LOCK NUT (top side of bracket use a 1/4-20 ESLOK Hex Nut)	46311	46311	46311	46311
13	1/4-20X1/2 BUTN HD SCREW	79242	79242	79242	79242
14	KEY (.187 X .187 X 3/4)	12509	12509	12509	12509
15	SET SCREW 1/4-20 X 3/8	74125	74125	74125	74125
16	HUB	16707	16707	16707	16707
17	SOCKET HEAD 1/4-20 SCREW	77893	77893	77893	77893
18	LEFT SPRING & DUMP BAR ASSEMBLY (assembly includes items listed below)	16710		16710	
	RIGHT SPRING & DUMP BAR ASSEMBLY (assembly includes items listed below)		16709		16709
19	COLLAR	74661	74661	74661	74661
20	SET SCREW, 5/16-18 X 5/8 (3 req'd. per collar)	74662	74662	74662	74662
21	TORSION SPRING	74660	74660	74660	74660
22	SPACER	74658	74658	74658	74658
23*	SPACER,LARGE (DUMP SIDE) - Concave side fits up against bracket weld on Dump Bar Shaft	74659	74659	74659	74659
24	RIGHT DUMP BAR WELDMENT		16705		16705
	LEFT DUMP SHAFT WELDMENT	16706		16706	
25	SPACER,LARGE (CUSTOMER SIDE)	74690	74690	74690	74690



## Cabinet Exterior/Spring Assembly – Parts List

Item	Part Description	Part No.			
		2174DEL	2174DER	2175DEL	2175DER
1	KETTLE LEAD IN ASSY (includes connectors)	48769	48769	48769	48769
2**	LEAD-IN CORD ASSY.	47580	47580	41034	41034
3	STRAIN RELIEF T&B 3304	82227	82227	82227	82227
4	1/4-20x3/4 BUTTON HD SC	67927	67927	67927	67927
5	HEX NUT 1/4-20 ESLOK	42361	42361	42361	42361
6	KETTLE MTNG BRKT MACHINED	106060	106060	106060	106060
7	SPRING RETAINER ROD	82551	82551	82551	82551
8	SET COLLAR 1/2ID X 7/8OD	47326	47326	47326	47326
9	SET SCREW 1/4-20 X 3/16 (1 req'd. per collar)	47751	47751	47751	47751
10	GRIP, HANDLE BAR	46028	46028	46028	46028
11	TILT LEVER 1/2X3/4 CD BAR	46006	46006	46006	46006
12	1/4-20 SERRATED LOCK NUT (top side of bracket use a 1/4-20 ESLOK Hex Nut)	46311	46311	46311	46311
13	1/4-20X1/2 BUTN HD SCREW	79242	79242	79242	79242
14	KEY (.187 X .187 X 3/4)	12509	12509	12509	12509
15	SET SCREW 1/4-20 X 3/8	74125	74125	74125	74125
16	HUB	16707	16707	16707	16707
17	SOCKET HEAD 1/4-20 SCREW	77893	77893	77893	77893
18	LEFT SPRING & DUMP BAR ASSEMBLY (assembly includes items listed below)	16710		16710	
	RIGHT SPRING & DUMP BAR ASSEMBLY (assembly includes items listed below)		16709		16709
19	COLLAR	74661	74661	74661	74661
20	SET SCREW, 5/16-18 X 5/8 (3 req'd. per collar)	74662	74662	74662	74662
21	TORSION SPRING	74660	74660	74660	74660
22	SPACER	74658	74658	74658	74658
23*	SPACER,LARGE (DUMP SIDE) - Concave side fits up against bracket weld on Dump Bar Shaft	74659	74659	74659	74659
24	RIGHT DUMP BAR WELDMENT		16705		16705
	LEFT DUMP SHAFT WELDMENT	16706		16706	
25	SPACER,LARGE (CUSTOMER SIDE)	74690	74690	74690	74690



## Cabinet Exterior/Spring Assembly – Parts List

Item	Part Description	Part No.			
		2174DEL	2174DER	2175DEL	2175DER
1	KETTLE LEAD IN ASSY (includes connectors)	48769	48769	48769	48769
2**	LEAD-IN CORD ASSY.	47580	47580	41034	41034
3	STRAIN RELIEF T&B 3304	82227	82227	82227	82227
4	1/4-20x3/4 BUTTON HD SC	67927	67927	67927	67927
5	HEX NUT 1/4-20 ESLOK	42361	42361	42361	42361
6	KETTLE MTNG BRKT MACHINED	106060	106060	106060	106060
7	SPRING RETAINER ROD	82551	82551	82551	82551
8	SET COLLAR 1/2ID X 7/8OD	47326	47326	47326	47326
9	SET SCREW 1/4-20 X 3/16 (1 req'd. per collar)	47751	47751	47751	47751
10	GRIP, HANDLE BAR	46028	46028	46028	46028
11	TILT LEVER 1/2X3/4 CD BAR	46006	46006	46006	46006
12	1/4-20 SERRATED LOCK NUT (top side of bracket use a 1/4-20 ESLOK Hex Nut)	46311	46311	46311	46311
13	1/4-20X1/2 BUTN HD SCREW	79242	79242	79242	79242
14	KEY (.187 X .187 X 3/4)	12509	12509	12509	12509
15	SET SCREW 1/4-20 X 3/8	74125	74125	74125	74125
16	HUB	16707	16707	16707	16707
17	SOCKET HEAD 1/4-20 SCREW	77893	77893	77893	77893
18	LEFT SPRING & DUMP BAR ASSEMBLY (assembly includes items listed below)	16710		16710	
	RIGHT SPRING & DUMP BAR ASSEMBLY (assembly includes items listed below)		16709		16709
19	COLLAR	74661	74661	74661	74661
20	SET SCREW, 5/16-18 X 5/8 (3 req'd. per collar)	74662	74662	74662	74662
21	TORSION SPRING	74660	74660	74660	74660
22	SPACER	74658	74658	74658	74658
23*	SPACER,LARGE (DUMP SIDE) - Concave side fits up against bracket weld on Dump Bar Shaft	74659	74659	74659	74659
24	RIGHT DUMP BAR WELDMENT		16705		16705
	LEFT DUMP SHAFT WELDMENT	16706		16706	
25	SPACER,LARGE (CUSTOMER SIDE)	74690	74690	74690	74690



## Cabinet Exterior/Spring Assembly – Parts List

Item	Part Description	Part No.			
		2174DEL	2174DER	2175DEL	2175DER
1	KETTLE LEAD IN ASSY (includes connectors)	48769	48769	48769	48769
2**	LEAD-IN CORD ASSY.	47580	47580	41034	41034
3	STRAIN RELIEF T&B 3304	82227	82227	82227	82227
4	1/4-20x3/4 BUTTON HD SC	67927	67927	67927	67927
5	HEX NUT 1/4-20 ESLOK	42361	42361	42361	42361
6	KETTLE MTNG BRKT MACHINED	106060	106060	106060	106060
7	SPRING RETAINER ROD	82551	82551	82551	82551
8	SET COLLAR 1/2ID X 7/8OD	47326	47326	47326	47326
9	SET SCREW 1/4-20 X 3/16 (1 req'd. per collar)	47751	47751	47751	47751
10	GRIP, HANDLE BAR	46028	46028	46028	46028
11	TILT LEVER 1/2X3/4 CD BAR	46006	46006	46006	46006
12	1/4-20 SERRATED LOCK NUT (top side of bracket use a 1/4-20 ESLOK Hex Nut)	46311	46311	46311	46311
13	1/4-20X1/2 BUTN HD SCREW	79242	79242	79242	79242
14	KEY (.187 X .187 X 3/4)	12509	12509	12509	12509
15	SET SCREW 1/4-20 X 3/8	74125	74125	74125	74125
16	HUB	16707	16707	16707	16707
17	SOCKET HEAD 1/4-20 SCREW	77893	77893	77893	77893
18	LEFT SPRING & DUMP BAR ASSEMBLY (assembly includes items listed below)	16710		16710	
	RIGHT SPRING & DUMP BAR ASSEMBLY (assembly includes items listed below)		16709		16709
19	COLLAR	74661	74661	74661	74661
20	SET SCREW, 5/16-18 X 5/8 (3 req'd. per collar)	74662	74662	74662	74662
21	TORSION SPRING	74660	74660	74660	74660
22	SPACER	74658	74658	74658	74658
23*	SPACER,LARGE (DUMP SIDE) - Concave side fits up against bracket weld on Dump Bar Shaft	74659	74659	74659	74659
24	RIGHT DUMP BAR WELDMENT		16705		16705
	LEFT DUMP SHAFT WELDMENT	16706		16706	
25	SPACER,LARGE (CUSTOMER SIDE)	74690	74690	74690	74690



## Cabinet Exterior/Spring Assembly – Parts List

Item	Part Description	Part No.			
		2174DEL	2174DER	2175DEL	2175DER
1	KETTLE LEAD IN ASSY (includes connectors)	48769	48769	48769	48769
2**	LEAD-IN CORD ASSY.	47580	47580	41034	41034
3	STRAIN RELIEF T&B 3304	82227	82227	82227	82227
4	1/4-20x3/4 BUTTON HD SC	67927	67927	67927	67927
5	HEX NUT 1/4-20 ESLOK	42361	42361	42361	42361
6	KETTLE MTNG BRKT MACHINED	106060	106060	106060	106060
7	SPRING RETAINER ROD	82551	82551	82551	82551
8	SET COLLAR 1/2ID X 7/8OD	47326	47326	47326	47326
9	SET SCREW 1/4-20 X 3/16 (1 req'd. per collar)	47751	47751	47751	47751
10	GRIP, HANDLE BAR	46028	46028	46028	46028
11	TILT LEVER 1/2X3/4 CD BAR	46006	46006	46006	46006
12	1/4-20 SERRATED LOCK NUT (top side of bracket use a 1/4-20 ESLOK Hex Nut)	46311	46311	46311	46311
13	1/4-20X1/2 BUTN HD SCREW	79242	79242	79242	79242
14	KEY (.187 X .187 X 3/4)	12509	12509	12509	12509
15	SET SCREW 1/4-20 X 3/8	74125	74125	74125	74125
16	HUB	16707	16707	16707	16707
17	SOCKET HEAD 1/4-20 SCREW	77893	77893	77893	77893
18	LEFT SPRING & DUMP BAR ASSEMBLY (assembly includes items listed below)	16710		16710	
	RIGHT SPRING & DUMP BAR ASSEMBLY (assembly includes items listed below)		16709		16709
19	COLLAR	74661	74661	74661	74661
20	SET SCREW, 5/16-18 X 5/8 (3 req'd. per collar)	74662	74662	74662	74662
21	TORSION SPRING	74660	74660	74660	74660
22	SPACER	74658	74658	74658	74658
23*	SPACER,LARGE (DUMP SIDE) - Concave side fits up against bracket weld on Dump Bar Shaft	74659	74659	74659	74659
24	RIGHT DUMP BAR WELDMENT		16705		16705
	LEFT DUMP SHAFT WELDMENT	16706		16706	
25	SPACER,LARGE (CUSTOMER SIDE)	74690	74690	74690	74690



## Cabinet Exterior/Spring Assembly – Parts List

Item	Part Description	Part No.			
		2174DEL	2174DER	2175DEL	2175DER
1	KETTLE LEAD IN ASSY (includes connectors)	48769	48769	48769	48769
2**	LEAD-IN CORD ASSY.	47580	47580	41034	41034
3	STRAIN RELIEF T&B 3304	82227	82227	82227	82227
4	1/4-20x3/4 BUTTON HD SC	67927	67927	67927	67927
5	HEX NUT 1/4-20 ESLOK	42361	42361	42361	42361
6	KETTLE MTNG BRKT MACHINED	106060	106060	106060	106060
7	SPRING RETAINER ROD	82551	82551	82551	82551
8	SET COLLAR 1/2ID X 7/8OD	47326	47326	47326	47326
9	SET SCREW 1/4-20 X 3/16 (1 req'd. per collar)	47751	47751	47751	47751
10	GRIP, HANDLE BAR	46028	46028	46028	46028
11	TILT LEVER 1/2X3/4 CD BAR	46006	46006	46006	46006
12	1/4-20 SERRATED LOCK NUT (top side of bracket use a 1/4-20 ESLOK Hex Nut)	46311	46311	46311	46311
13	1/4-20X1/2 BUTN HD SCREW	79242	79242	79242	79242
14	KEY (.187 X .187 X 3/4)	12509	12509	12509	12509
15	SET SCREW 1/4-20 X 3/8	74125	74125	74125	74125
16	HUB	16707	16707	16707	16707
17	SOCKET HEAD 1/4-20 SCREW	77893	77893	77893	77893
18	LEFT SPRING & DUMP BAR ASSEMBLY (assembly includes items listed below)	16710		16710	
	RIGHT SPRING & DUMP BAR ASSEMBLY (assembly includes items listed below)		16709		16709
19	COLLAR	74661	74661	74661	74661
20	SET SCREW, 5/16-18 X 5/8 (3 req'd. per collar)	74662	74662	74662	74662
21	TORSION SPRING	74660	74660	74660	74660
22	SPACER	74658	74658	74658	74658
23*	SPACER,LARGE (DUMP SIDE) - Concave side fits up against bracket weld on Dump Bar Shaft	74659	74659	74659	74659
24	RIGHT DUMP BAR WELDMENT		16705		16705
	LEFT DUMP SHAFT WELDMENT	16706		16706	
25	SPACER,LARGE (CUSTOMER SIDE)	74690	74690	74690	74690



## Cabinet Exterior/Spring Assembly – Parts List

Item	Part Description	Part No.			
		2174DEL	2174DER	2175DEL	2175DER
1	KETTLE LEAD IN ASSY (includes connectors)	48769	48769	48769	48769
2**	LEAD-IN CORD ASSY.	47580	47580	41034	41034
3	STRAIN RELIEF T&B 3304	82227	82227	82227	82227
4	1/4-20x3/4 BUTTON HD SC	67927	67927	67927	67927
5	HEX NUT 1/4-20 ESLOK	42361	42361	42361	42361
6	KETTLE MTNG BRKT MACHINED	106060	106060	106060	106060
7	SPRING RETAINER ROD	82551	82551	82551	82551
8	SET COLLAR 1/2ID X 7/8OD	47326	47326	47326	47326
9	SET SCREW 1/4-20 X 3/16 (1 req'd. per collar)	47751	47751	47751	47751
10	GRIP, HANDLE BAR	46028	46028	46028	46028
11	TILT LEVER 1/2X3/4 CD BAR	46006	46006	46006	46006
12	1/4-20 SERRATED LOCK NUT (top side of bracket use a 1/4-20 ESLOK Hex Nut)	46311	46311	46311	46311
13	1/4-20X1/2 BUTN HD SCREW	79242	79242	79242	79242
14	KEY (.187 X .187 X 3/4)	12509	12509	12509	12509
15	SET SCREW 1/4-20 X 3/8	74125	74125	74125	74125
16	HUB	16707	16707	16707	16707
17	SOCKET HEAD 1/4-20 SCREW	77893	77893	77893	77893
18	LEFT SPRING & DUMP BAR ASSEMBLY (assembly includes items listed below)	16710		16710	
	RIGHT SPRING & DUMP BAR ASSEMBLY (assembly includes items listed below)		16709		16709
19	COLLAR	74661	74661	74661	74661
20	SET SCREW, 5/16-18 X 5/8 (3 req'd. per collar)	74662	74662	74662	74662
21	TORSION SPRING	74660	74660	74660	74660
22	SPACER	74658	74658	74658	74658
23*	SPACER,LARGE (DUMP SIDE) - Concave side fits up against bracket weld on Dump Bar Shaft	74659	74659	74659	74659
24	RIGHT DUMP BAR WELDMENT		16705		16705
	LEFT DUMP SHAFT WELDMENT	16706		16706	
25	SPACER,LARGE (CUSTOMER SIDE)	74690	74690	74690	74690



## Cabinet Exterior/Spring Assembly – Parts List

Item	Part Description	Part No.			
		2174DEL	2174DER	2175DEL	2175DER
1	KETTLE LEAD IN ASSY (includes connectors)	48769	48769	48769	48769
2**	LEAD-IN CORD ASSY.	47580	47580	41034	41034
3	STRAIN RELIEF T&B 3304	82227	82227	82227	82227
4	1/4-20x3/4 BUTTON HD SC	67927	67927	67927	67927
5	HEX NUT 1/4-20 ESLOK	42361	42361	42361	42361
6	KETTLE MTNG BRKT MACHINED	106060	106060	106060	106060
7	SPRING RETAINER ROD	82551	82551	82551	82551
8	SET COLLAR 1/2ID X 7/8OD	47326	47326	47326	47326
9	SET SCREW 1/4-20 X 3/16 (1 req'd. per collar)	47751	47751	47751	47751
10	GRIP, HANDLE BAR	46028	46028	46028	46028
11	TILT LEVER 1/2X3/4 CD BAR	46006	46006	46006	46006
12	1/4-20 SERRATED LOCK NUT (top side of bracket use a 1/4-20 ESLOK Hex Nut)	46311	46311	46311	46311
13	1/4-20X1/2 BUTN HD SCREW	79242	79242	79242	79242
14	KEY (.187 X .187 X 3/4)	12509	12509	12509	12509
15	SET SCREW 1/4-20 X 3/8	74125	74125	74125	74125
16	HUB	16707	16707	16707	16707
17	SOCKET HEAD 1/4-20 SCREW	77893	77893	77893	77893
18	LEFT SPRING & DUMP BAR ASSEMBLY (assembly includes items listed below)	16710		16710	
	RIGHT SPRING & DUMP BAR ASSEMBLY (assembly includes items listed below)		16709		16709
19	COLLAR	74661	74661	74661	74661
20	SET SCREW, 5/16-18 X 5/8 (3 req'd. per collar)	74662	74662	74662	74662
21	TORSION SPRING	74660	74660	74660	74660
22	SPACER	74658	74658	74658	74658
23*	SPACER,LARGE (DUMP SIDE) - Concave side fits up against bracket weld on Dump Bar Shaft	74659	74659	74659	74659
24	RIGHT DUMP BAR WELDMENT		16705		16705
	LEFT DUMP SHAFT WELDMENT	16706		16706	
25	SPACER,LARGE (CUSTOMER SIDE)	74690	74690	74690	74690



## Cabinet Exterior/Spring Assembly – Parts List

Item	Part Description	Part No.			
		2174DEL	2174DER	2175DEL	2175DER
1	KETTLE LEAD IN ASSY (includes connectors)	48769	48769	48769	48769
2**	LEAD-IN CORD ASSY.	47580	47580	41034	41034
3	STRAIN RELIEF T&B 3304	82227	82227	82227	82227
4	1/4-20x3/4 BUTTON HD SC	67927	67927	67927	67927
5	HEX NUT 1/4-20 ESLOK	42361	42361	42361	42361
6	KETTLE MTNG BRKT MACHINED	106060	106060	106060	106060
7	SPRING RETAINER ROD	82551	82551	82551	82551
8	SET COLLAR 1/2ID X 7/8OD	47326	47326	47326	47326
9	SET SCREW 1/4-20 X 3/16 (1 req'd. per collar)	47751	47751	47751	47751
10	GRIP, HANDLE BAR	46028	46028	46028	46028
11	TILT LEVER 1/2X3/4 CD BAR	46006	46006	46006	46006
12	1/4-20 SERRATED LOCK NUT (top side of bracket use a 1/4-20 ESLOK Hex Nut)	46311	46311	46311	46311
13	1/4-20X1/2 BUTN HD SCREW	79242	79242	79242	79242
14	KEY (.187 X .187 X 3/4)	12509	12509	12509	12509
15	SET SCREW 1/4-20 X 3/8	74125	74125	74125	74125
16	HUB	16707	16707	16707	16707
17	SOCKET HEAD 1/4-20 SCREW	77893	77893	77893	77893
18	LEFT SPRING & DUMP BAR ASSEMBLY (assembly includes items listed below)	16710		16710	
	RIGHT SPRING & DUMP BAR ASSEMBLY (assembly includes items listed below)		16709		16709
19	COLLAR	74661	74661	74661	74661
20	SET SCREW, 5/16-18 X 5/8 (3 req'd. per collar)	74662	74662	74662	74662
21	TORSION SPRING	74660	74660	74660	74660
22	SPACER	74658	74658	74658	74658
23*	SPACER,LARGE (DUMP SIDE) - Concave side fits up against bracket weld on Dump Bar Shaft	74659	74659	74659	74659
24	RIGHT DUMP BAR WELDMENT		16705		16705
	LEFT DUMP SHAFT WELDMENT	16706		16706	
25	SPACER,LARGE (CUSTOMER SIDE)	74690	74690	74690	74690



## Cabinet Exterior/Spring Assembly – Parts List

Item	Part Description	Part No.			
		2174DEL	2174DER	2175DEL	2175DER
1	KETTLE LEAD IN ASSY (includes connectors)	48769	48769	48769	48769
2**	LEAD-IN CORD ASSY.	47580	47580	41034	41034
3	STRAIN RELIEF T&B 3304	82227	82227	82227	82227
4	1/4-20x3/4 BUTTON HD SC	67927	67927	67927	67927
5	HEX NUT 1/4-20 ESLOK	42361	42361	42361	42361
6	KETTLE MTNG BRKT MACHINED	106060	106060	106060	106060
7	SPRING RETAINER ROD	82551	82551	82551	82551
8	SET COLLAR 1/2ID X 7/8OD	47326	47326	47326	47326
9	SET SCREW 1/4-20 X 3/16 (1 req'd. per collar)	47751	47751	47751	47751
10	GRIP, HANDLE BAR	46028	46028	46028	46028
11	TILT LEVER 1/2X3/4 CD BAR	46006	46006	46006	46006
12	1/4-20 SERRATED LOCK NUT (top side of bracket use a 1/4-20 ESLOK Hex Nut)	46311	46311	46311	46311
13	1/4-20X1/2 BUTN HD SCREW	79242	79242	79242	79242
14	KEY (.187 X .187 X 3/4)	12509	12509	12509	12509
15	SET SCREW 1/4-20 X 3/8	74125	74125	74125	74125
16	HUB	16707	16707	16707	16707
17	SOCKET HEAD 1/4-20 SCREW	77893	77893	77893	77893
18	LEFT SPRING & DUMP BAR ASSEMBLY (assembly includes items listed below)	16710		16710	
	RIGHT SPRING & DUMP BAR ASSEMBLY (assembly includes items listed below)		16709		16709
19	COLLAR	74661	74661	74661	74661
20	SET SCREW, 5/16-18 X 5/8 (3 req'd. per collar)	74662	74662	74662	74662
21	TORSION SPRING	74660	74660	74660	74660
22	SPACER	74658	74658	74658	74658
23*	SPACER,LARGE (DUMP SIDE) - Concave side fits up against bracket weld on Dump Bar Shaft	74659	74659	74659	74659
24	RIGHT DUMP BAR WELDMENT		16705		16705
	LEFT DUMP SHAFT WELDMENT	16706		16706	
25	SPACER,LARGE (CUSTOMER SIDE)	74690	74690	74690	74690



## Cabinet Exterior/Spring Assembly – Parts List

Item	Part Description	Part No.			
		2174DEL	2174DER	2175DEL	2175DER
1	KETTLE LEAD IN ASSY (includes connectors)	48769	48769	48769	48769
2**	LEAD-IN CORD ASSY.	47580	47580	41034	41034
3	STRAIN RELIEF T&B 3304	82227	82227	82227	82227
4	1/4-20x3/4 BUTTON HD SC	67927	67927	67927	67927
5	HEX NUT 1/4-20 ESLOK	42361	42361	42361	42361
6	KETTLE MTNG BRKT MACHINED	106060	106060	106060	106060
7	SPRING RETAINER ROD	82551	82551	82551	82551
8	SET COLLAR 1/2ID X 7/8OD	47326	47326	47326	47326
9	SET SCREW 1/4-20 X 3/16 (1 req'd. per collar)	47751	47751	47751	47751
10	GRIP, HANDLE BAR	46028	46028	46028	46028
11	TILT LEVER 1/2X3/4 CD BAR	46006	46006	46006	46006
12	1/4-20 SERRATED LOCK NUT (top side of bracket use a 1/4-20 ESLOK Hex Nut)	46311	46311	46311	46311
13	1/4-20X1/2 BUTN HD SCREW	79242	79242	79242	79242
14	KEY (.187 X .187 X 3/4)	12509	12509	12509	12509
15	SET SCREW 1/4-20 X 3/8	74125	74125	74125	74125
16	HUB	16707	16707	16707	16707
17	SOCKET HEAD 1/4-20 SCREW	77893	77893	77893	77893
18	LEFT SPRING & DUMP BAR ASSEMBLY (assembly includes items listed below)	16710		16710	
	RIGHT SPRING & DUMP BAR ASSEMBLY (assembly includes items listed below)		16709		16709
19	COLLAR	74661	74661	74661	74661
20	SET SCREW, 5/16-18 X 5/8 (3 req'd. per collar)	74662	74662	74662	74662
21	TORSION SPRING	74660	74660	74660	74660
22	SPACER	74658	74658	74658	74658
23*	SPACER,LARGE (DUMP SIDE) - Concave side fits up against bracket weld on Dump Bar Shaft	74659	74659	74659	74659
24	RIGHT DUMP BAR WELDMENT		16705		16705
	LEFT DUMP SHAFT WELDMENT	16706		16706	
25	SPACER,LARGE (CUSTOMER SIDE)	74690	74690	74690	74690



## Cabinet Exterior/Spring Assembly – Parts List

Item	Part Description	Part No.			
		2174DEL	2174DER	2175DEL	2175DER
1	KETTLE LEAD IN ASSY (includes connectors)	48769	48769	48769	48769
2**	LEAD-IN CORD ASSY.	47580	47580	41034	41034
3	STRAIN RELIEF T&B 3304	82227	82227	82227	82227
4	1/4-20x3/4 BUTTON HD SC	67927	67927	67927	67927
5	HEX NUT 1/4-20 ESLOK	42361	42361	42361	42361
6	KETTLE MTNG BRKT MACHINED	106060	106060	106060	106060
7	SPRING RETAINER ROD	82551	82551	82551	82551
8	SET COLLAR 1/2ID X 7/8OD	47326	47326	47326	47326
9	SET SCREW 1/4-20 X 3/16 (1 req'd. per collar)	47751	47751	47751	47751
10	GRIP, HANDLE BAR	46028	46028	46028	46028
11	TILT LEVER 1/2X3/4 CD BAR	46006	46006	46006	46006
12	1/4-20 SERRATED LOCK NUT (top side of bracket use a 1/4-20 ESLOK Hex Nut)	46311	46311	46311	46311
13	1/4-20X1/2 BUTN HD SCREW	79242	79242	79242	79242
14	KEY (.187 X .187 X 3/4)	12509	12509	12509	12509
15	SET SCREW 1/4-20 X 3/8	74125	74125	74125	74125
16	HUB	16707	16707	16707	16707
17	SOCKET HEAD 1/4-20 SCREW	77893	77893	77893	77893
18	LEFT SPRING & DUMP BAR ASSEMBLY (assembly includes items listed below)	16710		16710	
	RIGHT SPRING & DUMP BAR ASSEMBLY (assembly includes items listed below)		16709		16709
19	COLLAR	74661	74661	74661	74661
20	SET SCREW, 5/16-18 X 5/8 (3 req'd. per collar)	74662	74662	74662	74662
21	TORSION SPRING	74660	74660	74660	74660
22	SPACER	74658	74658	74658	74658
23*	SPACER,LARGE (DUMP SIDE) - Concave side fits up against bracket weld on Dump Bar Shaft	74659	74659	74659	74659
24	RIGHT DUMP BAR WELDMENT		16705		16705
	LEFT DUMP SHAFT WELDMENT	16706		16706	
25	SPACER,LARGE (CUSTOMER SIDE)	74690	74690	74690	74690



## Cabinet Exterior/Spring Assembly – Parts List

Item	Part Description	Part No.			
		2174DEL	2174DER	2175DEL	2175DER
1	KETTLE LEAD IN ASSY (includes connectors)	48769	48769	48769	48769
2**	LEAD-IN CORD ASSY.	47580	47580	41034	41034
3	STRAIN RELIEF T&B 3304	82227	82227	82227	82227
4	1/4-20x3/4 BUTTON HD SC	67927	67927	67927	67927
5	HEX NUT 1/4-20 ESLOK	42361	42361	42361	42361
6	KETTLE MTNG BRKT MACHINED	106060	106060	106060	106060
7	SPRING RETAINER ROD	82551	82551	82551	82551
8	SET COLLAR 1/2ID X 7/8OD	47326	47326	47326	47326
9	SET SCREW 1/4-20 X 3/16 (1 req'd. per collar)	47751	47751	47751	47751
10	GRIP, HANDLE BAR	46028	46028	46028	46028
11	TILT LEVER 1/2X3/4 CD BAR	46006	46006	46006	46006
12	1/4-20 SERRATED LOCK NUT (top side of bracket use a 1/4-20 ESLOK Hex Nut)	46311	46311	46311	46311
13	1/4-20X1/2 BUTN HD SCREW	79242	79242	79242	79242
14	KEY (.187 X .187 X 3/4)	12509	12509	12509	12509
15	SET SCREW 1/4-20 X 3/8	74125	74125	74125	74125
16	HUB	16707	16707	16707	16707
17	SOCKET HEAD 1/4-20 SCREW	77893	77893	77893	77893
18	LEFT SPRING & DUMP BAR ASSEMBLY (assembly includes items listed below)	16710		16710	
	RIGHT SPRING & DUMP BAR ASSEMBLY (assembly includes items listed below)		16709		16709
19	COLLAR	74661	74661	74661	74661
20	SET SCREW, 5/16-18 X 5/8 (3 req'd. per collar)	74662	74662	74662	74662
21	TORSION SPRING	74660	74660	74660	74660
22	SPACER	74658	74658	74658	74658
23*	SPACER,LARGE (DUMP SIDE) - Concave side fits up against bracket weld on Dump Bar Shaft	74659	74659	74659	74659
24	RIGHT DUMP BAR WELDMENT		16705		16705
	LEFT DUMP SHAFT WELDMENT	16706		16706	
25	SPACER,LARGE (CUSTOMER SIDE)	74690	74690	74690	74690



## Cabinet Exterior/Spring Assembly – Parts List

Item	Part Description	Part No.			
		2174DEL	2174DER	2175DEL	2175DER
1	KETTLE LEAD IN ASSY (includes connectors)	48769	48769	48769	48769
2**	LEAD-IN CORD ASSY.	47580	47580	41034	41034
3	STRAIN RELIEF T&B 3304	82227	82227	82227	82227
4	1/4-20x3/4 BUTTON HD SC	67927	67927	67927	67927
5	HEX NUT 1/4-20 ESLOK	42361	42361	42361	42361
6	KETTLE MTNG BRKT MACHINED	106060	106060	106060	106060
7	SPRING RETAINER ROD	82551	82551	82551	82551
8	SET COLLAR 1/2ID X 7/8OD	47326	47326	47326	47326
9	SET SCREW 1/4-20 X 3/16 (1 req'd. per collar)	47751	47751	47751	47751
10	GRIP, HANDLE BAR	46028	46028	46028	46028
11	TILT LEVER 1/2X3/4 CD BAR	46006	46006	46006	46006
12	1/4-20 SERRATED LOCK NUT (top side of bracket use a 1/4-20 ESLOK Hex Nut)	46311	46311	46311	46311
13	1/4-20X1/2 BUTN HD SCREW	79242	79242	79242	79242
14	KEY (.187 X .187 X 3/4)	12509	12509	12509	12509
15	SET SCREW 1/4-20 X 3/8	74125	74125	74125	74125
16	HUB	16707	16707	16707	16707
17	SOCKET HEAD 1/4-20 SCREW	77893	77893	77893	77893
18	LEFT SPRING & DUMP BAR ASSEMBLY (assembly includes items listed below)	16710		16710	
	RIGHT SPRING & DUMP BAR ASSEMBLY (assembly includes items listed below)		16709		16709
19	COLLAR	74661	74661	74661	74661
20	SET SCREW, 5/16-18 X 5/8 (3 req'd. per collar)	74662	74662	74662	74662
21	TORSION SPRING	74660	74660	74660	74660
22	SPACER	74658	74658	74658	74658
23*	SPACER,LARGE (DUMP SIDE) - Concave side fits up against bracket weld on Dump Bar Shaft	74659	74659	74659	74659
24	RIGHT DUMP BAR WELDMENT		16705		16705
	LEFT DUMP SHAFT WELDMENT	16706		16706	
25	SPACER,LARGE (CUSTOMER SIDE)	74690	74690	74690	74690



## Cabinet Exterior/Spring Assembly – Parts List

Item	Part Description	Part No.			
		2174DEL	2174DER	2175DEL	2175DER
1	KETTLE LEAD IN ASSY (includes connectors)	48769	48769	48769	48769
2**	LEAD-IN CORD ASSY.	47580	47580	41034	41034
3	STRAIN RELIEF T&B 3304	82227	82227	82227	82227
4	1/4-20x3/4 BUTTON HD SC	67927	67927	67927	67927
5	HEX NUT 1/4-20 ESLOK	42361	42361	42361	42361
6	KETTLE MTNG BRKT MACHINED	106060	106060	106060	106060
7	SPRING RETAINER ROD	82551	82551	82551	82551
8	SET COLLAR 1/2ID X 7/8OD	47326	47326	47326	47326
9	SET SCREW 1/4-20 X 3/16 (1 req'd. per collar)	47751	47751	47751	47751
10	GRIP, HANDLE BAR	46028	46028	46028	46028
11	TILT LEVER 1/2X3/4 CD BAR	46006	46006	46006	46006
12	1/4-20 SERRATED LOCK NUT (top side of bracket use a 1/4-20 ESLOK Hex Nut)	46311	46311	46311	46311
13	1/4-20X1/2 BUTN HD SCREW	79242	79242	79242	79242
14	KEY (.187 X .187 X 3/4)	12509	12509	12509	12509
15	SET SCREW 1/4-20 X 3/8	74125	74125	74125	74125
16	HUB	16707	16707	16707	16707
17	SOCKET HEAD 1/4-20 SCREW	77893	77893	77893	77893
18	LEFT SPRING & DUMP BAR ASSEMBLY (assembly includes items listed below)	16710		16710	
	RIGHT SPRING & DUMP BAR ASSEMBLY (assembly includes items listed below)		16709		16709
19	COLLAR	74661	74661	74661	74661
20	SET SCREW, 5/16-18 X 5/8 (3 req'd. per collar)	74662	74662	74662	74662
21	TORSION SPRING	74660	74660	74660	74660
22	SPACER	74658	74658	74658	74658
23*	SPACER,LARGE (DUMP SIDE) - Concave side fits up against bracket weld on Dump Bar Shaft	74659	74659	74659	74659
24	RIGHT DUMP BAR WELDMENT		16705		16705
	LEFT DUMP SHAFT WELDMENT	16706		16706	
25	SPACER,LARGE (CUSTOMER SIDE)	74690	74690	74690	74690



## Cabinet Exterior/Spring Assembly – Parts List

Item	Part Description	Part No.			
		2174DEL	2174DER	2175DEL	2175DER
1	KETTLE LEAD IN ASSY (includes connectors)	48769	48769	48769	48769
2**	LEAD-IN CORD ASSY.	47580	47580	41034	41034
3	STRAIN RELIEF T&B 3304	82227	82227	82227	82227
4	1/4-20x3/4 BUTTON HD SC	67927	67927	67927	67927
5	HEX NUT 1/4-20 ESLOK	42361	42361	42361	42361
6	KETTLE MTNG BRKT MACHINED	106060	106060	106060	106060
7	SPRING RETAINER ROD	82551	82551	82551	82551
8	SET COLLAR 1/2ID X 7/8OD	47326	47326	47326	47326
9	SET SCREW 1/4-20 X 3/16 (1 req'd. per collar)	47751	47751	47751	47751
10	GRIP, HANDLE BAR	46028	46028	46028	46028
11	TILT LEVER 1/2X3/4 CD BAR	46006	46006	46006	46006
12	1/4-20 SERRATED LOCK NUT (top side of bracket use a 1/4-20 ESLOK Hex Nut)	46311	46311	46311	46311
13	1/4-20X1/2 BUTN HD SCREW	79242	79242	79242	79242
14	KEY (.187 X .187 X 3/4)	12509	12509	12509	12509
15	SET SCREW 1/4-20 X 3/8	74125	74125	74125	74125
16	HUB	16707	16707	16707	16707
17	SOCKET HEAD 1/4-20 SCREW	77893	77893	77893	77893
18	LEFT SPRING & DUMP BAR ASSEMBLY (assembly includes items listed below)	16710		16710	
	RIGHT SPRING & DUMP BAR ASSEMBLY (assembly includes items listed below)		16709		16709
19	COLLAR	74661	74661	74661	74661
20	SET SCREW, 5/16-18 X 5/8 (3 req'd. per collar)	74662	74662	74662	74662
21	TORSION SPRING	74660	74660	74660	74660
22	SPACER	74658	74658	74658	74658
23*	SPACER,LARGE (DUMP SIDE) - Concave side fits up against bracket weld on Dump Bar Shaft	74659	74659	74659	74659
24	RIGHT DUMP BAR WELDMENT		16705		16705
	LEFT DUMP SHAFT WELDMENT	16706		16706	
25	SPACER,LARGE (CUSTOMER SIDE)	74690	74690	74690	74690



## Cabinet Exterior/Spring Assembly – Parts List

Item	Part Description	Part No.			
		2174DEL	2174DER	2175DEL	2175DER
1	KETTLE LEAD IN ASSY (includes connectors)	48769	48769	48769	48769
2**	LEAD-IN CORD ASSY.	47580	47580	41034	41034
3	STRAIN RELIEF T&B 3304	82227	82227	82227	82227
4	1/4-20x3/4 BUTTON HD SC	67927	67927	67927	67927
5	HEX NUT 1/4-20 ESLOK	42361	42361	42361	42361
6	KETTLE MTNG BRKT MACHINED	106060	106060	106060	106060
7	SPRING RETAINER ROD	82551	82551	82551	82551
8	SET COLLAR 1/2ID X 7/8OD	47326	47326	47326	47326
9	SET SCREW 1/4-20 X 3/16 (1 req'd. per collar)	47751	47751	47751	47751
10	GRIP, HANDLE BAR	46028	46028	46028	46028
11	TILT LEVER 1/2X3/4 CD BAR	46006	46006	46006	46006
12	1/4-20 SERRATED LOCK NUT (top side of bracket use a 1/4-20 ESLOK Hex Nut)	46311	46311	46311	46311
13	1/4-20X1/2 BUTN HD SCREW	79242	79242	79242	79242
14	KEY (.187 X .187 X 3/4)	12509	12509	12509	12509
15	SET SCREW 1/4-20 X 3/8	74125	74125	74125	74125
16	HUB	16707	16707	16707	16707
17	SOCKET HEAD 1/4-20 SCREW	77893	77893	77893	77893
18	LEFT SPRING & DUMP BAR ASSEMBLY (assembly includes items listed below)	16710		16710	
	RIGHT SPRING & DUMP BAR ASSEMBLY (assembly includes items listed below)		16709		16709
19	COLLAR	74661	74661	74661	74661
20	SET SCREW, 5/16-18 X 5/8 (3 req'd. per collar)	74662	74662	74662	74662
21	TORSION SPRING	74660	74660	74660	74660
22	SPACER	74658	74658	74658	74658
23*	SPACER,LARGE (DUMP SIDE) - Concave side fits up against bracket weld on Dump Bar Shaft	74659	74659	74659	74659
24	RIGHT DUMP BAR WELDMENT		16705		16705
	LEFT DUMP SHAFT WELDMENT	16706		16706	
25	SPACER,LARGE (CUSTOMER SIDE)	74690	74690	74690	74690



## Cabinet Exterior/Spring Assembly – Parts List

Item	Part Description	Part No.			
		2174DEL	2174DER	2175DEL	2175DER
1	KETTLE LEAD IN ASSY (includes connectors)	48769	48769	48769	48769
2**	LEAD-IN CORD ASSY.	47580	47580	41034	41034
3	STRAIN RELIEF T&B 3304	82227	82227	82227	82227
4	1/4-20x3/4 BUTTON HD SC	67927	67927	67927	67927
5	HEX NUT 1/4-20 ESLOK	42361	42361	42361	42361
6	KETTLE MTNG BRKT MACHINED	106060	106060	106060	106060
7	SPRING RETAINER ROD	82551	82551	82551	82551
8	SET COLLAR 1/2ID X 7/8OD	47326	47326	47326	47326
9	SET SCREW 1/4-20 X 3/16 (1 req'd. per collar)	47751	47751	47751	47751
10	GRIP, HANDLE BAR	46028	46028	46028	46028
11	TILT LEVER 1/2X3/4 CD BAR	46006	46006	46006	46006
12	1/4-20 SERRATED LOCK NUT (top side of bracket use a 1/4-20 ESLOK Hex Nut)	46311	46311	46311	46311
13	1/4-20X1/2 BUTN HD SCREW	79242	79242	79242	79242
14	KEY (.187 X .187 X 3/4)	12509	12509	12509	12509
15	SET SCREW 1/4-20 X 3/8	74125	74125	74125	74125
16	HUB	16707	16707	16707	16707
17	SOCKET HEAD 1/4-20 SCREW	77893	77893	77893	77893
18	LEFT SPRING & DUMP BAR ASSEMBLY (assembly includes items listed below)	16710		16710	
	RIGHT SPRING & DUMP BAR ASSEMBLY (assembly includes items listed below)		16709		16709
19	COLLAR	74661	74661	74661	74661
20	SET SCREW, 5/16-18 X 5/8 (3 req'd. per collar)	74662	74662	74662	74662
21	TORSION SPRING	74660	74660	74660	74660
22	SPACER	74658	74658	74658	74658
23*	SPACER,LARGE (DUMP SIDE) - Concave side fits up against bracket weld on Dump Bar Shaft	74659	74659	74659	74659
24	RIGHT DUMP BAR WELDMENT		16705		16705
	LEFT DUMP SHAFT WELDMENT	16706		16706	
25	SPACER,LARGE (CUSTOMER SIDE)	74690	74690	74690	74690



## Cabinet Exterior/Spring Assembly – Parts List

Item	Part Description	Part No.			
		2174DEL	2174DER	2175DEL	2175DER
1	KETTLE LEAD IN ASSY (includes connectors)	48769	48769	48769	48769
2**	LEAD-IN CORD ASSY.	47580	47580	41034	41034
3	STRAIN RELIEF T&B 3304	82227	82227	82227	82227
4	1/4-20x3/4 BUTTON HD SC	67927	67927	67927	67927
5	HEX NUT 1/4-20 ESLOK	42361	42361	42361	42361
6	KETTLE MTNG BRKT MACHINED	106060	106060	106060	106060
7	SPRING RETAINER ROD	82551	82551	82551	82551
8	SET COLLAR 1/2ID X 7/8OD	47326	47326	47326	47326
9	SET SCREW 1/4-20 X 3/16 (1 req'd. per collar)	47751	47751	47751	47751
10	GRIP, HANDLE BAR	46028	46028	46028	46028
11	TILT LEVER 1/2X3/4 CD BAR	46006	46006	46006	46006
12	1/4-20 SERRATED LOCK NUT (top side of bracket use a 1/4-20 ESLOK Hex Nut)	46311	46311	46311	46311
13	1/4-20X1/2 BUTN HD SCREW	79242	79242	79242	79242
14	KEY (.187 X .187 X 3/4)	12509	12509	12509	12509
15	SET SCREW 1/4-20 X 3/8	74125	74125	74125	74125
16	HUB	16707	16707	16707	16707
17	SOCKET HEAD 1/4-20 SCREW	77893	77893	77893	77893
18	LEFT SPRING & DUMP BAR ASSEMBLY (assembly includes items listed below)	16710		16710	
	RIGHT SPRING & DUMP BAR ASSEMBLY (assembly includes items listed below)		16709		16709
19	COLLAR	74661	74661	74661	74661
20	SET SCREW, 5/16-18 X 5/8 (3 req'd. per collar)	74662	74662	74662	74662
21	TORSION SPRING	74660	74660	74660	74660
22	SPACER	74658	74658	74658	74658
23*	SPACER,LARGE (DUMP SIDE) - Concave side fits up against bracket weld on Dump Bar Shaft	74659	74659	74659	74659
24	RIGHT DUMP BAR WELDMENT		16705		16705
	LEFT DUMP SHAFT WELDMENT	16706		16706	
25	SPACER,LARGE (CUSTOMER SIDE)	74690	74690	74690	74690



## Cabinet Exterior/Spring Assembly – Parts List

Item	Part Description	Part No.			
		2174DEL	2174DER	2175DEL	2175DER
1	KETTLE LEAD IN ASSY (includes connectors)	48769	48769	48769	48769
2**	LEAD-IN CORD ASSY.	47580	47580	41034	41034
3	STRAIN RELIEF T&B 3304	82227	82227	82227	82227
4	1/4-20x3/4 BUTTON HD SC	67927	67927	67927	67927
5	HEX NUT 1/4-20 ESLOK	42361	42361	42361	42361
6	KETTLE MTNG BRKT MACHINED	106060	106060	106060	106060
7	SPRING RETAINER ROD	82551	82551	82551	82551
8	SET COLLAR 1/2ID X 7/8OD	47326	47326	47326	47326
9	SET SCREW 1/4-20 X 3/16 (1 req'd. per collar)	47751	47751	47751	47751
10	GRIP, HANDLE BAR	46028	46028	46028	46028
11	TILT LEVER 1/2X3/4 CD BAR	46006	46006	46006	46006
12	1/4-20 SERRATED LOCK NUT (top side of bracket use a 1/4-20 ESLOK Hex Nut)	46311	46311	46311	46311
13	1/4-20X1/2 BUTN HD SCREW	79242	79242	79242	79242
14	KEY (.187 X .187 X 3/4)	12509	12509	12509	12509
15	SET SCREW 1/4-20 X 3/8	74125	74125	74125	74125
16	HUB	16707	16707	16707	16707
17	SOCKET HEAD 1/4-20 SCREW	77893	77893	77893	77893
18	LEFT SPRING & DUMP BAR ASSEMBLY (assembly includes items listed below)	16710		16710	
	RIGHT SPRING & DUMP BAR ASSEMBLY (assembly includes items listed below)		16709		16709
19	COLLAR	74661	74661	74661	74661
20	SET SCREW, 5/16-18 X 5/8 (3 req'd. per collar)	74662	74662	74662	74662
21	TORSION SPRING	74660	74660	74660	74660
22	SPACER	74658	74658	74658	74658
23*	SPACER,LARGE (DUMP SIDE) - Concave side fits up against bracket weld on Dump Bar Shaft	74659	74659	74659	74659
24	RIGHT DUMP BAR WELDMENT		16705		16705
	LEFT DUMP SHAFT WELDMENT	16706		16706	
25	SPACER,LARGE (CUSTOMER SIDE)	74690	74690	74690	74690



## Cabinet Exterior/Spring Assembly – Parts List

Item	Part Description	Part No.			
		2174DEL	2174DER	2175DEL	2175DER
1	KETTLE LEAD IN ASSY (includes connectors)	48769	48769	48769	48769
2**	LEAD-IN CORD ASSY.	47580	47580	41034	41034
3	STRAIN RELIEF T&B 3304	82227	82227	82227	82227
4	1/4-20x3/4 BUTTON HD SC	67927	67927	67927	67927
5	HEX NUT 1/4-20 ESLOK	42361	42361	42361	42361
6	KETTLE MTNG BRKT MACHINED	106060	106060	106060	106060
7	SPRING RETAINER ROD	82551	82551	82551	82551
8	SET COLLAR 1/2ID X 7/8OD	47326	47326	47326	47326
9	SET SCREW 1/4-20 X 3/16 (1 req'd. per collar)	47751	47751	47751	47751
10	GRIP, HANDLE BAR	46028	46028	46028	46028
11	TILT LEVER 1/2X3/4 CD BAR	46006	46006	46006	46006
12	1/4-20 SERRATED LOCK NUT (top side of bracket use a 1/4-20 ESLOK Hex Nut)	46311	46311	46311	46311
13	1/4-20X1/2 BUTN HD SCREW	79242	79242	79242	79242
14	KEY (.187 X .187 X 3/4)	12509	12509	12509	12509
15	SET SCREW 1/4-20 X 3/8	74125	74125	74125	74125
16	HUB	16707	16707	16707	16707
17	SOCKET HEAD 1/4-20 SCREW	77893	77893	77893	77893
18	LEFT SPRING & DUMP BAR ASSEMBLY (assembly includes items listed below)	16710		16710	
	RIGHT SPRING & DUMP BAR ASSEMBLY (assembly includes items listed below)		16709		16709
19	COLLAR	74661	74661	74661	74661
20	SET SCREW, 5/16-18 X 5/8 (3 req'd. per collar)	74662	74662	74662	74662
21	TORSION SPRING	74660	74660	74660	74660
22	SPACER	74658	74658	74658	74658
23*	SPACER,LARGE (DUMP SIDE) - Concave side fits up against bracket weld on Dump Bar Shaft	74659	74659	74659	74659
24	RIGHT DUMP BAR WELDMENT		16705		16705
	LEFT DUMP SHAFT WELDMENT	16706		16706	
25	SPACER,LARGE (CUSTOMER SIDE)	74690	74690	74690	74690



## Cabinet Exterior/Spring Assembly – Parts List

Item	Part Description	Part No.			
		2174DEL	2174DER	2175DEL	2175DER
1	KETTLE LEAD IN ASSY (includes connectors)	48769	48769	48769	48769
2**	LEAD-IN CORD ASSY.	47580	47580	41034	41034
3	STRAIN RELIEF T&B 3304	82227	82227	82227	82227
4	1/4-20x3/4 BUTTON HD SC	67927	67927	67927	67927
5	HEX NUT 1/4-20 ESLOK	42361	42361	42361	42361
6	KETTLE MTNG BRKT MACHINED	106060	106060	106060	106060
7	SPRING RETAINER ROD	82551	82551	82551	82551
8	SET COLLAR 1/2ID X 7/8OD	47326	47326	47326	47326
9	SET SCREW 1/4-20 X 3/16 (1 req'd. per collar)	47751	47751	47751	47751
10	GRIP, HANDLE BAR	46028	46028	46028	46028
11	TILT LEVER 1/2X3/4 CD BAR	46006	46006	46006	46006
12	1/4-20 SERRATED LOCK NUT (top side of bracket use a 1/4-20 ESLOK Hex Nut)	46311	46311	46311	46311
13	1/4-20X1/2 BUTN HD SCREW	79242	79242	79242	79242
14	KEY (.187 X .187 X 3/4)	12509	12509	12509	12509
15	SET SCREW 1/4-20 X 3/8	74125	74125	74125	74125
16	HUB	16707	16707	16707	16707
17	SOCKET HEAD 1/4-20 SCREW	77893	77893	77893	77893
18	LEFT SPRING & DUMP BAR ASSEMBLY (assembly includes items listed below)	16710		16710	
	RIGHT SPRING & DUMP BAR ASSEMBLY (assembly includes items listed below)		16709		16709
19	COLLAR	74661	74661	74661	74661
20	SET SCREW, 5/16-18 X 5/8 (3 req'd. per collar)	74662	74662	74662	74662
21	TORSION SPRING	74660	74660	74660	74660
22	SPACER	74658	74658	74658	74658
23*	SPACER,LARGE (DUMP SIDE) - Concave side fits up against bracket weld on Dump Bar Shaft	74659	74659	74659	74659
24	RIGHT DUMP BAR WELDMENT		16705		16705
	LEFT DUMP SHAFT WELDMENT	16706		16706	
25	SPACER,LARGE (CUSTOMER SIDE)	74690	74690	74690	74690



## Cabinet Exterior/Spring Assembly – Parts List

Item	Part Description	Part No.			
		2174DEL	2174DER	2175DEL	2175DER
1	KETTLE LEAD IN ASSY (includes connectors)	48769	48769	48769	48769
2**	LEAD-IN CORD ASSY.	47580	47580	41034	41034
3	STRAIN RELIEF T&B 3304	82227	82227	82227	82227
4	1/4-20x3/4 BUTTON HD SC	67927	67927	67927	67927
5	HEX NUT 1/4-20 ESLOK	42361	42361	42361	42361
6	KETTLE MTNG BRKT MACHINED	106060	106060	106060	106060
7	SPRING RETAINER ROD	82551	82551	82551	82551
8	SET COLLAR 1/2ID X 7/8OD	47326	47326	47326	47326
9	SET SCREW 1/4-20 X 3/16 (1 req'd. per collar)	47751	47751	47751	47751
10	GRIP, HANDLE BAR	46028	46028	46028	46028
11	TILT LEVER 1/2X3/4 CD BAR	46006	46006	46006	46006
12	1/4-20 SERRATED LOCK NUT (top side of bracket use a 1/4-20 ESLOK Hex Nut)	46311	46311	46311	46311
13	1/4-20X1/2 BUTN HD SCREW	79242	79242	79242	79242
14	KEY (.187 X .187 X 3/4)	12509	12509	12509	12509
15	SET SCREW 1/4-20 X 3/8	74125	74125	74125	74125
16	HUB	16707	16707	16707	16707
17	SOCKET HEAD 1/4-20 SCREW	77893	77893	77893	77893
18	LEFT SPRING & DUMP BAR ASSEMBLY (assembly includes items listed below)	16710		16710	
	RIGHT SPRING & DUMP BAR ASSEMBLY (assembly includes items listed below)		16709		16709
19	COLLAR	74661	74661	74661	74661
20	SET SCREW, 5/16-18 X 5/8 (3 req'd. per collar)	74662	74662	74662	74662
21	TORSION SPRING	74660	74660	74660	74660
22	SPACER	74658	74658	74658	74658
23*	SPACER,LARGE (DUMP SIDE) - Concave side fits up against bracket weld on Dump Bar Shaft	74659	74659	74659	74659
24	RIGHT DUMP BAR WELDMENT		16705		16705
	LEFT DUMP SHAFT WELDMENT	16706		16706	
25	SPACER,LARGE (CUSTOMER SIDE)	74690	74690	74690	74690



## Cabinet Exterior/Spring Assembly – Parts List

Item	Part Description	Part No.			
		2174DEL	2174DER	2175DEL	2175DER
1	KETTLE LEAD IN ASSY (includes connectors)	48769	48769	48769	48769
2**	LEAD-IN CORD ASSY.	47580	47580	41034	41034
3	STRAIN RELIEF T&B 3304	82227	82227	82227	82227
4	1/4-20x3/4 BUTTON HD SC	67927	67927	67927	67927
5	HEX NUT 1/4-20 ESLOK	42361	42361	42361	42361
6	KETTLE MTNG BRKT MACHINED	106060	106060	106060	106060
7	SPRING RETAINER ROD	82551	82551	82551	82551
8	SET COLLAR 1/2ID X 7/8OD	47326	47326	47326	47326
9	SET SCREW 1/4-20 X 3/16 (1 req'd. per collar)	47751	47751	47751	47751
10	GRIP, HANDLE BAR	46028	46028	46028	46028
11	TILT LEVER 1/2X3/4 CD BAR	46006	46006	46006	46006
12	1/4-20 SERRATED LOCK NUT (top side of bracket use a 1/4-20 ESLOK Hex Nut)	46311	46311	46311	46311
13	1/4-20X1/2 BUTN HD SCREW	79242	79242	79242	79242
14	KEY (.187 X .187 X 3/4)	12509	12509	12509	12509
15	SET SCREW 1/4-20 X 3/8	74125	74125	74125	74125
16	HUB	16707	16707	16707	16707
17	SOCKET HEAD 1/4-20 SCREW	77893	77893	77893	77893
18	LEFT SPRING & DUMP BAR ASSEMBLY (assembly includes items listed below)	16710		16710	
	RIGHT SPRING & DUMP BAR ASSEMBLY (assembly includes items listed below)		16709		16709
19	COLLAR	74661	74661	74661	74661
20	SET SCREW, 5/16-18 X 5/8 (3 req'd. per collar)	74662	74662	74662	74662
21	TORSION SPRING	74660	74660	74660	74660
22	SPACER	74658	74658	74658	74658
23*	SPACER,LARGE (DUMP SIDE) - Concave side fits up against bracket weld on Dump Bar Shaft	74659	74659	74659	74659
24	RIGHT DUMP BAR WELDMENT		16705		16705
	LEFT DUMP SHAFT WELDMENT	16706		16706	
25	SPACER,LARGE (CUSTOMER SIDE)	74690	74690	74690	74690



## Cabinet Exterior/Spring Assembly – Parts List

Item	Part Description	Part No.			
		2174DEL	2174DER	2175DEL	2175DER
1	KETTLE LEAD IN ASSY (includes connectors)	48769	48769	48769	48769
2**	LEAD-IN CORD ASSY.	47580	47580	41034	41034
3	STRAIN RELIEF T&B 3304	82227	82227	82227	82227
4	1/4-20x3/4 BUTTON HD SC	67927	67927	67927	67927
5	HEX NUT 1/4-20 ESLOK	42361	42361	42361	42361
6	KETTLE MTNG BRKT MACHINED	106060	106060	106060	106060
7	SPRING RETAINER ROD	82551	82551	82551	82551
8	SET COLLAR 1/2ID X 7/8OD	47326	47326	47326	47326
9	SET SCREW 1/4-20 X 3/16 (1 req'd. per collar)	47751	47751	47751	47751
10	GRIP, HANDLE BAR	46028	46028	46028	46028
11	TILT LEVER 1/2X3/4 CD BAR	46006	46006	46006	46006
12	1/4-20 SERRATED LOCK NUT (top side of bracket use a 1/4-20 ESLOK Hex Nut)	46311	46311	46311	46311
13	1/4-20X1/2 BUTN HD SCREW	79242	79242	79242	79242
14	KEY (.187 X .187 X 3/4)	12509	12509	12509	12509
15	SET SCREW 1/4-20 X 3/8	74125	74125	74125	74125
16	HUB	16707	16707	16707	16707
17	SOCKET HEAD 1/4-20 SCREW	77893	77893	77893	77893
18	LEFT SPRING & DUMP BAR ASSEMBLY (assembly includes items listed below)	16710		16710	
	RIGHT SPRING & DUMP BAR ASSEMBLY (assembly includes items listed below)		16709		16709
19	COLLAR	74661	74661	74661	74661
20	SET SCREW, 5/16-18 X 5/8 (3 req'd. per collar)	74662	74662	74662	74662
21	TORSION SPRING	74660	74660	74660	74660
22	SPACER	74658	74658	74658	74658
23*	SPACER,LARGE (DUMP SIDE) - Concave side fits up against bracket weld on Dump Bar Shaft	74659	74659	74659	74659
24	RIGHT DUMP BAR WELDMENT		16705		16705
	LEFT DUMP SHAFT WELDMENT	16706		16706	
25	SPACER,LARGE (CUSTOMER SIDE)	74690	74690	74690	74690



## Cabinet Exterior/Spring Assembly – Parts List

Item	Part Description	Part No.			
		2174DEL	2174DER	2175DEL	2175DER
1	KETTLE LEAD IN ASSY (includes connectors)	48769	48769	48769	48769
2**	LEAD-IN CORD ASSY.	47580	47580	41034	41034
3	STRAIN RELIEF T&B 3304	82227	82227	82227	82227
4	1/4-20x3/4 BUTTON HD SC	67927	67927	67927	67927
5	HEX NUT 1/4-20 ESLOK	42361	42361	42361	42361
6	KETTLE MTNG BRKT MACHINED	106060	106060	106060	106060
7	SPRING RETAINER ROD	82551	82551	82551	82551
8	SET COLLAR 1/2ID X 7/8OD	47326	47326	47326	47326
9	SET SCREW 1/4-20 X 3/16 (1 req'd. per collar)	47751	47751	47751	47751
10	GRIP, HANDLE BAR	46028	46028	46028	46028
11	TILT LEVER 1/2X3/4 CD BAR	46006	46006	46006	46006
12	1/4-20 SERRATED LOCK NUT (top side of bracket use a 1/4-20 ESLOK Hex Nut)	46311	46311	46311	46311
13	1/4-20X1/2 BUTN HD SCREW	79242	79242	79242	79242
14	KEY (.187 X .187 X 3/4)	12509	12509	12509	12509
15	SET SCREW 1/4-20 X 3/8	74125	74125	74125	74125
16	HUB	16707	16707	16707	16707
17	SOCKET HEAD 1/4-20 SCREW	77893	77893	77893	77893
18	LEFT SPRING & DUMP BAR ASSEMBLY (assembly includes items listed below)	16710		16710	
	RIGHT SPRING & DUMP BAR ASSEMBLY (assembly includes items listed below)		16709		16709
19	COLLAR	74661	74661	74661	74661
20	SET SCREW, 5/16-18 X 5/8 (3 req'd. per collar)	74662	74662	74662	74662
21	TORSION SPRING	74660	74660	74660	74660
22	SPACER	74658	74658	74658	74658
23*	SPACER,LARGE (DUMP SIDE) - Concave side fits up against bracket weld on Dump Bar Shaft	74659	74659	74659	74659
24	RIGHT DUMP BAR WELDMENT		16705		16705
	LEFT DUMP SHAFT WELDMENT	16706		16706	
25	SPACER,LARGE (CUSTOMER SIDE)	74690	74690	74690	74690



## Cabinet Exterior/Spring Assembly – Parts List

Item	Part Description	Part No.			
		2174DEL	2174DER	2175DEL	2175DER
1	KETTLE LEAD IN ASSY (includes connectors)	48769	48769	48769	48769
2**	LEAD-IN CORD ASSY.	47580	47580	41034	41034
3	STRAIN RELIEF T&B 3304	82227	82227	82227	82227
4	1/4-20x3/4 BUTTON HD SC	67927	67927	67927	67927
5	HEX NUT 1/4-20 ESLOK	42361	42361	42361	42361
6	KETTLE MTNG BRKT MACHINED	106060	106060	106060	106060
7	SPRING RETAINER ROD	82551	82551	82551	82551
8	SET COLLAR 1/2ID X 7/8OD	47326	47326	47326	47326
9	SET SCREW 1/4-20 X 3/16 (1 req'd. per collar)	47751	47751	47751	47751
10	GRIP, HANDLE BAR	46028	46028	46028	46028
11	TILT LEVER 1/2X3/4 CD BAR	46006	46006	46006	46006
12	1/4-20 SERRATED LOCK NUT (top side of bracket use a 1/4-20 ESLOK Hex Nut)	46311	46311	46311	46311
13	1/4-20X1/2 BUTN HD SCREW	79242	79242	79242	79242
14	KEY (.187 X .187 X 3/4)	12509	12509	12509	12509
15	SET SCREW 1/4-20 X 3/8	74125	74125	74125	74125
16	HUB	16707	16707	16707	16707
17	SOCKET HEAD 1/4-20 SCREW	77893	77893	77893	77893
18	LEFT SPRING & DUMP BAR ASSEMBLY (assembly includes items listed below)	16710		16710	
	RIGHT SPRING & DUMP BAR ASSEMBLY (assembly includes items listed below)		16709		16709
19	COLLAR	74661	74661	74661	74661
20	SET SCREW, 5/16-18 X 5/8 (3 req'd. per collar)	74662	74662	74662	74662
21	TORSION SPRING	74660	74660	74660	74660
22	SPACER	74658	74658	74658	74658
23*	SPACER,LARGE (DUMP SIDE) - Concave side fits up against bracket weld on Dump Bar Shaft	74659	74659	74659	74659
24	RIGHT DUMP BAR WELDMENT		16705		16705
	LEFT DUMP SHAFT WELDMENT	16706		16706	
25	SPACER,LARGE (CUSTOMER SIDE)	74690	74690	74690	74690



## Cabinet Exterior/Spring Assembly – Parts List

Item	Part Description	Part No.			
		2174DEL	2174DER	2175DEL	2175DER
1	KETTLE LEAD IN ASSY (includes connectors)	48769	48769	48769	48769
2**	LEAD-IN CORD ASSY.	47580	47580	41034	41034
3	STRAIN RELIEF T&B 3304	82227	82227	82227	82227
4	1/4-20x3/4 BUTTON HD SC	67927	67927	67927	67927
5	HEX NUT 1/4-20 ESLOK	42361	42361	42361	42361
6	KETTLE MTNG BRKT MACHINED	106060	106060	106060	106060
7	SPRING RETAINER ROD	82551	82551	82551	82551
8	SET COLLAR 1/2ID X 7/8OD	47326	47326	47326	47326
9	SET SCREW 1/4-20 X 3/16 (1 req'd. per collar)	47751	47751	47751	47751
10	GRIP, HANDLE BAR	46028	46028	46028	46028
11	TILT LEVER 1/2X3/4 CD BAR	46006	46006	46006	46006
12	1/4-20 SERRATED LOCK NUT (top side of bracket use a 1/4-20 ESLOK Hex Nut)	46311	46311	46311	46311
13	1/4-20X1/2 BUTN HD SCREW	79242	79242	79242	79242
14	KEY (.187 X .187 X 3/4)	12509	12509	12509	12509
15	SET SCREW 1/4-20 X 3/8	74125	74125	74125	74125
16	HUB	16707	16707	16707	16707
17	SOCKET HEAD 1/4-20 SCREW	77893	77893	77893	77893
18	LEFT SPRING & DUMP BAR ASSEMBLY (assembly includes items listed below)	16710		16710	
	RIGHT SPRING & DUMP BAR ASSEMBLY (assembly includes items listed below)		16709		16709
19	COLLAR	74661	74661	74661	74661
20	SET SCREW, 5/16-18 X 5/8 (3 req'd. per collar)	74662	74662	74662	74662
21	TORSION SPRING	74660	74660	74660	74660
22	SPACER	74658	74658	74658	74658
23*	SPACER,LARGE (DUMP SIDE) - Concave side fits up against bracket weld on Dump Bar Shaft	74659	74659	74659	74659
24	RIGHT DUMP BAR WELDMENT		16705		16705
	LEFT DUMP SHAFT WELDMENT	16706		16706	
25	SPACER,LARGE (CUSTOMER SIDE)	74690	74690	74690	74690



## Cabinet Exterior/Spring Assembly – Parts List

Item	Part Description	Part No.			
		2174DEL	2174DER	2175DEL	2175DER
1	KETTLE LEAD IN ASSY (includes connectors)	48769	48769	48769	48769
2**	LEAD-IN CORD ASSY.	47580	47580	41034	41034
3	STRAIN RELIEF T&B 3304	82227	82227	82227	82227
4	1/4-20x3/4 BUTTON HD SC	67927	67927	67927	67927
5	HEX NUT 1/4-20 ESLOK	42361	42361	42361	42361
6	KETTLE MTNG BRKT MACHINED	106060	106060	106060	106060
7	SPRING RETAINER ROD	82551	82551	82551	82551
8	SET COLLAR 1/2ID X 7/8OD	47326	47326	47326	47326
9	SET SCREW 1/4-20 X 3/16 (1 req'd. per collar)	47751	47751	47751	47751
10	GRIP, HANDLE BAR	46028	46028	46028	46028
11	TILT LEVER 1/2X3/4 CD BAR	46006	46006	46006	46006
12	1/4-20 SERRATED LOCK NUT (top side of bracket use a 1/4-20 ESLOK Hex Nut)	46311	46311	46311	46311
13	1/4-20X1/2 BUTN HD SCREW	79242	79242	79242	79242
14	KEY (.187 X .187 X 3/4)	12509	12509	12509	12509
15	SET SCREW 1/4-20 X 3/8	74125	74125	74125	74125
16	HUB	16707	16707	16707	16707
17	SOCKET HEAD 1/4-20 SCREW	77893	77893	77893	77893
18	LEFT SPRING & DUMP BAR ASSEMBLY (assembly includes items listed below)	16710		16710	
	RIGHT SPRING & DUMP BAR ASSEMBLY (assembly includes items listed below)		16709		16709
19	COLLAR	74661	74661	74661	74661
20	SET SCREW, 5/16-18 X 5/8 (3 req'd. per collar)	74662	74662	74662	74662
21	TORSION SPRING	74660	74660	74660	74660
22	SPACER	74658	74658	74658	74658
23*	SPACER,LARGE (DUMP SIDE) - Concave side fits up against bracket weld on Dump Bar Shaft	74659	74659	74659	74659
24	RIGHT DUMP BAR WELDMENT		16705		16705
	LEFT DUMP SHAFT WELDMENT	16706		16706	
25	SPACER,LARGE (CUSTOMER SIDE)	74690	74690	74690	74690



## Cabinet Exterior/Spring Assembly – Parts List

Item	Part Description	Part No.			
		2174DEL	2174DER	2175DEL	2175DER
1	KETTLE LEAD IN ASSY (includes connectors)	48769	48769	48769	48769
2**	LEAD-IN CORD ASSY.	47580	47580	41034	41034
3	STRAIN RELIEF T&B 3304	82227	82227	82227	82227
4	1/4-20x3/4 BUTTON HD SC	67927	67927	67927	67927
5	HEX NUT 1/4-20 ESLOK	42361	42361	42361	42361
6	KETTLE MTNG BRKT MACHINED	106060	106060	106060	106060
7	SPRING RETAINER ROD	82551	82551	82551	82551
8	SET COLLAR 1/2ID X 7/8OD	47326	47326	47326	47326
9	SET SCREW 1/4-20 X 3/16 (1 req'd. per collar)	47751	47751	47751	47751
10	GRIP, HANDLE BAR	46028	46028	46028	46028
11	TILT LEVER 1/2X3/4 CD BAR	46006	46006	46006	46006
12	1/4-20 SERRATED LOCK NUT (top side of bracket use a 1/4-20 ESLOK Hex Nut)	46311	46311	46311	46311
13	1/4-20X1/2 BUTN HD SCREW	79242	79242	79242	79242
14	KEY (.187 X .187 X 3/4)	12509	12509	12509	12509
15	SET SCREW 1/4-20 X 3/8	74125	74125	74125	74125
16	HUB	16707	16707	16707	16707
17	SOCKET HEAD 1/4-20 SCREW	77893	77893	77893	77893
18	LEFT SPRING & DUMP BAR ASSEMBLY (assembly includes items listed below)	16710		16710	
	RIGHT SPRING & DUMP BAR ASSEMBLY (assembly includes items listed below)		16709		16709
19	COLLAR	74661	74661	74661	74661
20	SET SCREW, 5/16-18 X 5/8 (3 req'd. per collar)	74662	74662	74662	74662
21	TORSION SPRING	74660	74660	74660	74660
22	SPACER	74658	74658	74658	74658
23*	SPACER,LARGE (DUMP SIDE) - Concave side fits up against bracket weld on Dump Bar Shaft	74659	74659	74659	74659
24	RIGHT DUMP BAR WELDMENT		16705		16705
	LEFT DUMP SHAFT WELDMENT	16706		16706	
25	SPACER,LARGE (CUSTOMER SIDE)	74690	74690	74690	74690



## Cabinet Exterior/Spring Assembly – Parts List

Item	Part Description	Part No.			
		2174DEL	2174DER	2175DEL	2175DER
1	KETTLE LEAD IN ASSY (includes connectors)	48769	48769	48769	48769
2**	LEAD-IN CORD ASSY.	47580	47580	41034	41034
3	STRAIN RELIEF T&B 3304	82227	82227	82227	82227
4	1/4-20x3/4 BUTTON HD SC	67927	67927	67927	67927
5	HEX NUT 1/4-20 ESLOK	42361	42361	42361	42361
6	KETTLE MTNG BRKT MACHINED	106060	106060	106060	106060
7	SPRING RETAINER ROD	82551	82551	82551	82551
8	SET COLLAR 1/2ID X 7/8OD	47326	47326	47326	47326
9	SET SCREW 1/4-20 X 3/16 (1 req'd. per collar)	47751	47751	47751	47751
10	GRIP, HANDLE BAR	46028	46028	46028	46028
11	TILT LEVER 1/2X3/4 CD BAR	46006	46006	46006	46006
12	1/4-20 SERRATED LOCK NUT (top side of bracket use a 1/4-20 ESLOK Hex Nut)	46311	46311	46311	46311
13	1/4-20X1/2 BUTN HD SCREW	79242	79242	79242	79242
14	KEY (.187 X .187 X 3/4)	12509	12509	12509	12509
15	SET SCREW 1/4-20 X 3/8	74125	74125	74125	74125
16	HUB	16707	16707	16707	16707
17	SOCKET HEAD 1/4-20 SCREW	77893	77893	77893	77893
18	LEFT SPRING & DUMP BAR ASSEMBLY (assembly includes items listed below)	16710		16710	
	RIGHT SPRING & DUMP BAR ASSEMBLY (assembly includes items listed below)		16709		16709
19	COLLAR	74661	74661	74661	74661
20	SET SCREW, 5/16-18 X 5/8 (3 req'd. per collar)	74662	74662	74662	74662
21	TORSION SPRING	74660	74660	74660	74660
22	SPACER	74658	74658	74658	74658
23*	SPACER,LARGE (DUMP SIDE) - Concave side fits up against bracket weld on Dump Bar Shaft	74659	74659	74659	74659
24	RIGHT DUMP BAR WELDMENT		16705		16705
	LEFT DUMP SHAFT WELDMENT	16706		16706	
25	SPACER,LARGE (CUSTOMER SIDE)	74690	74690	74690	74690



## Cabinet Exterior/Spring Assembly – Parts List

Item	Part Description	Part No.			
		2174DEL	2174DER	2175DEL	2175DER
1	KETTLE LEAD IN ASSY (includes connectors)	48769	48769	48769	48769
2**	LEAD-IN CORD ASSY.	47580	47580	41034	41034
3	STRAIN RELIEF T&B 3304	82227	82227	82227	82227
4	1/4-20x3/4 BUTTON HD SC	67927	67927	67927	67927
5	HEX NUT 1/4-20 ESLOK	42361	42361	42361	42361
6	KETTLE MTNG BRKT MACHINED	106060	106060	106060	106060
7	SPRING RETAINER ROD	82551	82551	82551	82551
8	SET COLLAR 1/2ID X 7/8OD	47326	47326	47326	47326
9	SET SCREW 1/4-20 X 3/16 (1 req'd. per collar)	47751	47751	47751	47751
10	GRIP, HANDLE BAR	46028	46028	46028	46028
11	TILT LEVER 1/2X3/4 CD BAR	46006	46006	46006	46006
12	1/4-20 SERRATED LOCK NUT (top side of bracket use a 1/4-20 ESLOK Hex Nut)	46311	46311	46311	46311
13	1/4-20X1/2 BUTN HD SCREW	79242	79242	79242	79242
14	KEY (.187 X .187 X 3/4)	12509	12509	12509	12509
15	SET SCREW 1/4-20 X 3/8	74125	74125	74125	74125
16	HUB	16707	16707	16707	16707
17	SOCKET HEAD 1/4-20 SCREW	77893	77893	77893	77893
18	LEFT SPRING & DUMP BAR ASSEMBLY (assembly includes items listed below)	16710		16710	
	RIGHT SPRING & DUMP BAR ASSEMBLY (assembly includes items listed below)		16709		16709
19	COLLAR	74661	74661	74661	74661
20	SET SCREW, 5/16-18 X 5/8 (3 req'd. per collar)	74662	74662	74662	74662
21	TORSION SPRING	74660	74660	74660	74660
22	SPACER	74658	74658	74658	74658
23*	SPACER,LARGE (DUMP SIDE) - Concave side fits up against bracket weld on Dump Bar Shaft	74659	74659	74659	74659
24	RIGHT DUMP BAR WELDMENT		16705		16705
	LEFT DUMP SHAFT WELDMENT	16706		16706	
25	SPACER,LARGE (CUSTOMER SIDE)	74690	74690	74690	74690



## Kettle and Drum – Parts List

Item	Part Description	Part No.	
		2174DEL 2174DER	2175DEL 2175DER
1	WING NUT, #8-32	89126	89126
2	BLENDING STRIP	46532	46532
3	MIXING DRUM	46288	46288
4	MIXER PADDLE	46286	46286
5	MIX PADDLE LOCK STUD ASSY	46203	46203
6	HUB SEAL ASSY (includes Oil Seal, Hub Body, and O-Ring)	46632	46632
7	O-RING 1 3/4ID X 2OD	46631	46631
8	HUB SEAL	46630	46630
9	HUB SEAL BODY	46629	46629
10	AGITATOR SHAFT	46143	46143
11	RETAIN RING ASSY	46651	46651
12	DRUM SEAL	46701	46701
13	O-RING BUSHING SEAL	46119	46119
14	KETTLE ASSY (includes Shaft, Hub Seal Assy, Retaining Ring and Drum Seal; also see Kettle Bottom and Kettle Element View sections for itemized parts breakdown).	68007F	68015F



## Kettle and Drum – Parts List

Item	Part Description	Part No.	
		2174DEL 2174DER	2175DEL 2175DER
1	WING NUT, #8-32	89126	89126
2	BLENDING STRIP	46532	46532
3	MIXING DRUM	46288	46288
4	MIXER PADDLE	46286	46286
5	MIX PADDLE LOCK STUD ASSY	46203	46203
6	HUB SEAL ASSY (includes Oil Seal, Hub Body, and O-Ring)	46632	46632
7	O-RING 1 3/4ID X 2OD	46631	46631
8	HUB SEAL	46630	46630
9	HUB SEAL BODY	46629	46629
10	AGITATOR SHAFT	46143	46143
11	RETAIN RING ASSY	46651	46651
12	DRUM SEAL	46701	46701
13	O-RING BUSHING SEAL	46119	46119
14	KETTLE ASSY (includes Shaft, Hub Seal Assy, Retaining Ring and Drum Seal; also see Kettle Bottom and Kettle Element View sections for itemized parts breakdown).	68007F	68015F



## Kettle and Drum – Parts List

Item	Part Description	Part No.	
		2174DEL 2174DER	2175DEL 2175DER
1	WING NUT, #8-32	89126	89126
2	BLENDING STRIP	46532	46532
3	MIXING DRUM	46288	46288
4	MIXER PADDLE	46286	46286
5	MIX PADDLE LOCK STUD ASSY	46203	46203
6	HUB SEAL ASSY (includes Oil Seal, Hub Body, and O-Ring)	46632	46632
7	O-RING 1 3/4ID X 2OD	46631	46631
8	HUB SEAL	46630	46630
9	HUB SEAL BODY	46629	46629
10	AGITATOR SHAFT	46143	46143
11	RETAIN RING ASSY	46651	46651
12	DRUM SEAL	46701	46701
13	O-RING BUSHING SEAL	46119	46119
14	KETTLE ASSY (includes Shaft, Hub Seal Assy, Retaining Ring and Drum Seal; also see Kettle Bottom and Kettle Element View sections for itemized parts breakdown).	68007F	68015F



## Kettle and Drum – Parts List

Item	Part Description	Part No.	
		2174DEL 2174DER	2175DEL 2175DER
1	WING NUT, #8-32	89126	89126
2	BLENDING STRIP	46532	46532
3	MIXING DRUM	46288	46288
4	MIXER PADDLE	46286	46286
5	MIX PADDLE LOCK STUD ASSY	46203	46203
6	HUB SEAL ASSY (includes Oil Seal, Hub Body, and O-Ring)	46632	46632
7	O-RING 1 3/4ID X 2OD	46631	46631
8	HUB SEAL	46630	46630
9	HUB SEAL BODY	46629	46629
10	AGITATOR SHAFT	46143	46143
11	RETAIN RING ASSY	46651	46651
12	DRUM SEAL	46701	46701
13	O-RING BUSHING SEAL	46119	46119
14	KETTLE ASSY (includes Shaft, Hub Seal Assy, Retaining Ring and Drum Seal; also see Kettle Bottom and Kettle Element View sections for itemized parts breakdown).	68007F	68015F



## Kettle and Drum – Parts List

Item	Part Description	Part No.	
		2174DEL 2174DER	2175DEL 2175DER
1	WING NUT, #8-32	89126	89126
2	BLENDING STRIP	46532	46532
3	MIXING DRUM	46288	46288
4	MIXER PADDLE	46286	46286
5	MIX PADDLE LOCK STUD ASSY	46203	46203
6	HUB SEAL ASSY (includes Oil Seal, Hub Body, and O-Ring)	46632	46632
7	O-RING 1 3/4ID X 2OD	46631	46631
8	HUB SEAL	46630	46630
9	HUB SEAL BODY	46629	46629
10	AGITATOR SHAFT	46143	46143
11	RETAIN RING ASSY	46651	46651
12	DRUM SEAL	46701	46701
13	O-RING BUSHING SEAL	46119	46119
14	KETTLE ASSY (includes Shaft, Hub Seal Assy, Retaining Ring and Drum Seal; also see Kettle Bottom and Kettle Element View sections for itemized parts breakdown).	68007F	68015F



## Kettle and Drum – Parts List

Item	Part Description	Part No.	
		2174DEL 2174DER	2175DEL 2175DER
1	WING NUT, #8-32	89126	89126
2	BLENDING STRIP	46532	46532
3	MIXING DRUM	46288	46288
4	MIXER PADDLE	46286	46286
5	MIX PADDLE LOCK STUD ASSY	46203	46203
6	HUB SEAL ASSY (includes Oil Seal, Hub Body, and O-Ring)	46632	46632
7	O-RING 1 3/4ID X 20D	46631	46631
8	HUB SEAL	46630	46630
9	HUB SEAL BODY	46629	46629
10	AGITATOR SHAFT	46143	46143
11	RETAIN RING ASSY	46651	46651
12	DRUM SEAL	46701	46701
13	O-RING BUSHING SEAL	46119	46119
14	KETTLE ASSY (includes Shaft, Hub Seal Assy, Retaining Ring and Drum Seal; also see Kettle Bottom and Kettle Element View sections for itemized parts breakdown).	68007F	68015F



## Kettle and Drum – Parts List

Item	Part Description	Part No.	
		2174DEL 2174DER	2175DEL 2175DER
1	WING NUT, #8-32	89126	89126
2	BLENDING STRIP	46532	46532
3	MIXING DRUM	46288	46288
4	MIXER PADDLE	46286	46286
5	MIX PADDLE LOCK STUD ASSY	46203	46203
6	HUB SEAL ASSY (includes Oil Seal, Hub Body, and O-Ring)	46632	46632
7	O-RING 1 3/4ID X 20D	46631	46631
8	HUB SEAL	46630	46630
9	HUB SEAL BODY	46629	46629
10	AGITATOR SHAFT	46143	46143
11	RETAIN RING ASSY	46651	46651
12	DRUM SEAL	46701	46701
13	O-RING BUSHING SEAL	46119	46119
14	KETTLE ASSY (includes Shaft, Hub Seal Assy, Retaining Ring and Drum Seal; also see Kettle Bottom and Kettle Element View sections for itemized parts breakdown).	68007F	68015F



## Kettle and Drum – Parts List

Item	Part Description	Part No.	
		2174DEL 2174DER	2175DEL 2175DER
1	WING NUT, #8-32	89126	89126
2	BLENDING STRIP	46532	46532
3	MIXING DRUM	46288	46288
4	MIXER PADDLE	46286	46286
5	MIX PADDLE LOCK STUD ASSY	46203	46203
6	HUB SEAL ASSY (includes Oil Seal, Hub Body, and O-Ring)	46632	46632
7	O-RING 1 3/4ID X 2OD	46631	46631
8	HUB SEAL	46630	46630
9	HUB SEAL BODY	46629	46629
10	AGITATOR SHAFT	46143	46143
11	RETAIN RING ASSY	46651	46651
12	DRUM SEAL	46701	46701
13	O-RING BUSHING SEAL	46119	46119
14	KETTLE ASSY (includes Shaft, Hub Seal Assy, Retaining Ring and Drum Seal; also see Kettle Bottom and Kettle Element View sections for itemized parts breakdown).	68007F	68015F



## Kettle and Drum – Parts List

Item	Part Description	Part No.	
		2174DEL 2174DER	2175DEL 2175DER
1	WING NUT, #8-32	89126	89126
2	BLENDING STRIP	46532	46532
3	MIXING DRUM	46288	46288
4	MIXER PADDLE	46286	46286
5	MIX PADDLE LOCK STUD ASSY	46203	46203
6	HUB SEAL ASSY (includes Oil Seal, Hub Body, and O-Ring)	46632	46632
7	O-RING 1 3/4ID X 2OD	46631	46631
8	HUB SEAL	46630	46630
9	HUB SEAL BODY	46629	46629
10	AGITATOR SHAFT	46143	46143
11	RETAIN RING ASSY	46651	46651
12	DRUM SEAL	46701	46701
13	O-RING BUSHING SEAL	46119	46119
14	KETTLE ASSY (includes Shaft, Hub Seal Assy, Retaining Ring and Drum Seal; also see Kettle Bottom and Kettle Element View sections for itemized parts breakdown).	68007F	68015F



## Kettle and Drum – Parts List

Item	Part Description	Part No.	
		2174DEL 2174DER	2175DEL 2175DER
1	WING NUT, #8-32	89126	89126
2	BLENDING STRIP	46532	46532
3	MIXING DRUM	46288	46288
4	MIXER PADDLE	46286	46286
5	MIX PADDLE LOCK STUD ASSY	46203	46203
6	HUB SEAL ASSY (includes Oil Seal, Hub Body, and O-Ring)	46632	46632
7	O-RING 1 3/4ID X 20D	46631	46631
8	HUB SEAL	46630	46630
9	HUB SEAL BODY	46629	46629
10	AGITATOR SHAFT	46143	46143
11	RETAIN RING ASSY	46651	46651
12	DRUM SEAL	46701	46701
13	O-RING BUSHING SEAL	46119	46119
14	KETTLE ASSY (includes Shaft, Hub Seal Assy, Retaining Ring and Drum Seal; also see Kettle Bottom and Kettle Element View sections for itemized parts breakdown).	68007F	68015F



## Kettle and Drum – Parts List

Item	Part Description	Part No.	
		2174DEL 2174DER	2175DEL 2175DER
1	WING NUT, #8-32	89126	89126
2	BLENDING STRIP	46532	46532
3	MIXING DRUM	46288	46288
4	MIXER PADDLE	46286	46286
5	MIX PADDLE LOCK STUD ASSY	46203	46203
6	HUB SEAL ASSY (includes Oil Seal, Hub Body, and O-Ring)	46632	46632
7	O-RING 1 3/4ID X 20D	46631	46631
8	HUB SEAL	46630	46630
9	HUB SEAL BODY	46629	46629
10	AGITATOR SHAFT	46143	46143
11	RETAIN RING ASSY	46651	46651
12	DRUM SEAL	46701	46701
13	O-RING BUSHING SEAL	46119	46119
14	KETTLE ASSY (includes Shaft, Hub Seal Assy, Retaining Ring and Drum Seal; also see Kettle Bottom and Kettle Element View sections for itemized parts breakdown).	68007F	68015F



## Kettle and Drum – Parts List

Item	Part Description	Part No.	
		2174DEL 2174DER	2175DEL 2175DER
1	WING NUT, #8-32	89126	89126
2	BLENDING STRIP	46532	46532
3	MIXING DRUM	46288	46288
4	MIXER PADDLE	46286	46286
5	MIX PADDLE LOCK STUD ASSY	46203	46203
6	HUB SEAL ASSY (includes Oil Seal, Hub Body, and O-Ring)	46632	46632
7	O-RING 1 3/4ID X 2OD	46631	46631
8	HUB SEAL	46630	46630
9	HUB SEAL BODY	46629	46629
10	AGITATOR SHAFT	46143	46143
11	RETAIN RING ASSY	46651	46651
12	DRUM SEAL	46701	46701
13	O-RING BUSHING SEAL	46119	46119
14	KETTLE ASSY (includes Shaft, Hub Seal Assy, Retaining Ring and Drum Seal; also see Kettle Bottom and Kettle Element View sections for itemized parts breakdown).	68007F	68015F



## Kettle and Drum – Parts List

Item	Part Description	Part No.	
		2174DEL 2174DER	2175DEL 2175DER
1	WING NUT, #8-32	89126	89126
2	BLENDING STRIP	46532	46532
3	MIXING DRUM	46288	46288
4	MIXER PADDLE	46286	46286
5	MIX PADDLE LOCK STUD ASSY	46203	46203
6	HUB SEAL ASSY (includes Oil Seal, Hub Body, and O-Ring)	46632	46632
7	O-RING 1 3/4ID X 2OD	46631	46631
8	HUB SEAL	46630	46630
9	HUB SEAL BODY	46629	46629
10	AGITATOR SHAFT	46143	46143
11	RETAIN RING ASSY	46651	46651
12	DRUM SEAL	46701	46701
13	O-RING BUSHING SEAL	46119	46119
14	KETTLE ASSY (includes Shaft, Hub Seal Assy, Retaining Ring and Drum Seal; also see Kettle Bottom and Kettle Element View sections for itemized parts breakdown).	68007F	68015F



## Kettle and Drum – Parts List

Item	Part Description	Part No.	
		2174DEL 2174DER	2175DEL 2175DER
1	WING NUT, #8-32	89126	89126
2	BLENDING STRIP	46532	46532
3	MIXING DRUM	46288	46288
4	MIXER PADDLE	46286	46286
5	MIX PADDLE LOCK STUD ASSY	46203	46203
6	HUB SEAL ASSY (includes Oil Seal, Hub Body, and O-Ring)	46632	46632
7	O-RING 1 3/4ID X 2OD	46631	46631
8	HUB SEAL	46630	46630
9	HUB SEAL BODY	46629	46629
10	AGITATOR SHAFT	46143	46143
11	RETAIN RING ASSY	46651	46651
12	DRUM SEAL	46701	46701
13	O-RING BUSHING SEAL	46119	46119
14	KETTLE ASSY (includes Shaft, Hub Seal Assy, Retaining Ring and Drum Seal; also see Kettle Bottom and Kettle Element View sections for itemized parts breakdown).	68007F	68015F



## Kettle and Drum – Parts List

Item	Part Description	Part No.	
		2174DEL 2174DER	2175DEL 2175DER
1	WING NUT, #8-32	89126	89126
2	BLENDING STRIP	46532	46532
3	MIXING DRUM	46288	46288
4	MIXER PADDLE	46286	46286
5	MIX PADDLE LOCK STUD ASSY	46203	46203
6	HUB SEAL ASSY (includes Oil Seal, Hub Body, and O-Ring)	46632	46632
7	O-RING 1 3/4ID X 20D	46631	46631
8	HUB SEAL	46630	46630
9	HUB SEAL BODY	46629	46629
10	AGITATOR SHAFT	46143	46143
11	RETAIN RING ASSY	46651	46651
12	DRUM SEAL	46701	46701
13	O-RING BUSHING SEAL	46119	46119
14	KETTLE ASSY (includes Shaft, Hub Seal Assy, Retaining Ring and Drum Seal; also see Kettle Bottom and Kettle Element View sections for itemized parts breakdown).	68007F	68015F



## Kettle and Drum – Parts List

Item	Part Description	Part No.	
		2174DEL 2174DER	2175DEL 2175DER
1	WING NUT, #8-32	89126	89126
2	BLENDING STRIP	46532	46532
3	MIXING DRUM	46288	46288
4	MIXER PADDLE	46286	46286
5	MIX PADDLE LOCK STUD ASSY	46203	46203
6	HUB SEAL ASSY (includes Oil Seal, Hub Body, and O-Ring)	46632	46632
7	O-RING 1 3/4ID X 2OD	46631	46631
8	HUB SEAL	46630	46630
9	HUB SEAL BODY	46629	46629
10	AGITATOR SHAFT	46143	46143
11	RETAIN RING ASSY	46651	46651
12	DRUM SEAL	46701	46701
13	O-RING BUSHING SEAL	46119	46119
14	KETTLE ASSY (includes Shaft, Hub Seal Assy, Retaining Ring and Drum Seal; also see Kettle Bottom and Kettle Element View sections for itemized parts breakdown).	68007F	68015F



## Kettle and Drum – Parts List

Item	Part Description	Part No.	
		2174DEL 2174DER	2175DEL 2175DER
1	WING NUT, #8-32	89126	89126
2	BLENDING STRIP	46532	46532
3	MIXING DRUM	46288	46288
4	MIXER PADDLE	46286	46286
5	MIX PADDLE LOCK STUD ASSY	46203	46203
6	HUB SEAL ASSY (includes Oil Seal, Hub Body, and O-Ring)	46632	46632
7	O-RING 1 3/4ID X 20D	46631	46631
8	HUB SEAL	46630	46630
9	HUB SEAL BODY	46629	46629
10	AGITATOR SHAFT	46143	46143
11	RETAIN RING ASSY	46651	46651
12	DRUM SEAL	46701	46701
13	O-RING BUSHING SEAL	46119	46119
14	KETTLE ASSY (includes Shaft, Hub Seal Assy, Retaining Ring and Drum Seal; also see Kettle Bottom and Kettle Element View sections for itemized parts breakdown).	68007F	68015F



## Kettle and Drum – Parts List

Item	Part Description	Part No.	
		2174DEL 2174DER	2175DEL 2175DER
1	WING NUT, #8-32	89126	89126
2	BLENDING STRIP	46532	46532
3	MIXING DRUM	46288	46288
4	MIXER PADDLE	46286	46286
5	MIX PADDLE LOCK STUD ASSY	46203	46203
6	HUB SEAL ASSY (includes Oil Seal, Hub Body, and O-Ring)	46632	46632
7	O-RING 1 3/4ID X 2OD	46631	46631
8	HUB SEAL	46630	46630
9	HUB SEAL BODY	46629	46629
10	AGITATOR SHAFT	46143	46143
11	RETAIN RING ASSY	46651	46651
12	DRUM SEAL	46701	46701
13	O-RING BUSHING SEAL	46119	46119
14	KETTLE ASSY (includes Shaft, Hub Seal Assy, Retaining Ring and Drum Seal; also see Kettle Bottom and Kettle Element View sections for itemized parts breakdown).	68007F	68015F



## Kettle and Drum – Parts List

Item	Part Description	Part No.	
		2174DEL 2174DER	2175DEL 2175DER
1	WING NUT, #8-32	89126	89126
2	BLENDING STRIP	46532	46532
3	MIXING DRUM	46288	46288
4	MIXER PADDLE	46286	46286
5	MIX PADDLE LOCK STUD ASSY	46203	46203
6	HUB SEAL ASSY (includes Oil Seal, Hub Body, and O-Ring)	46632	46632
7	O-RING 1 3/4ID X 20D	46631	46631
8	HUB SEAL	46630	46630
9	HUB SEAL BODY	46629	46629
10	AGITATOR SHAFT	46143	46143
11	RETAIN RING ASSY	46651	46651
12	DRUM SEAL	46701	46701
13	O-RING BUSHING SEAL	46119	46119
14	KETTLE ASSY (includes Shaft, Hub Seal Assy, Retaining Ring and Drum Seal; also see Kettle Bottom and Kettle Element View sections for itemized parts breakdown).	68007F	68015F



## Kettle and Drum – Parts List

Item	Part Description	Part No.	
		2174DEL 2174DER	2175DEL 2175DER
1	WING NUT, #8-32	89126	89126
2	BLENDING STRIP	46532	46532
3	MIXING DRUM	46288	46288
4	MIXER PADDLE	46286	46286
5	MIX PADDLE LOCK STUD ASSY	46203	46203
6	HUB SEAL ASSY (includes Oil Seal, Hub Body, and O-Ring)	46632	46632
7	O-RING 1 3/4ID X 20D	46631	46631
8	HUB SEAL	46630	46630
9	HUB SEAL BODY	46629	46629
10	AGITATOR SHAFT	46143	46143
11	RETAIN RING ASSY	46651	46651
12	DRUM SEAL	46701	46701
13	O-RING BUSHING SEAL	46119	46119
14	KETTLE ASSY (includes Shaft, Hub Seal Assy, Retaining Ring and Drum Seal; also see Kettle Bottom and Kettle Element View sections for itemized parts breakdown).	68007F	68015F



## Kettle and Drum – Parts List

Item	Part Description	Part No.	
		2174DEL 2174DER	2175DEL 2175DER
1	WING NUT, #8-32	89126	89126
2	BLENDING STRIP	46532	46532
3	MIXING DRUM	46288	46288
4	MIXER PADDLE	46286	46286
5	MIX PADDLE LOCK STUD ASSY	46203	46203
6	HUB SEAL ASSY (includes Oil Seal, Hub Body, and O-Ring)	46632	46632
7	O-RING 1 3/4ID X 20D	46631	46631
8	HUB SEAL	46630	46630
9	HUB SEAL BODY	46629	46629
10	AGITATOR SHAFT	46143	46143
11	RETAIN RING ASSY	46651	46651
12	DRUM SEAL	46701	46701
13	O-RING BUSHING SEAL	46119	46119
14	KETTLE ASSY (includes Shaft, Hub Seal Assy, Retaining Ring and Drum Seal; also see Kettle Bottom and Kettle Element View sections for itemized parts breakdown).	68007F	68015F



## Kettle and Drum – Parts List

Item	Part Description	Part No.	
		2174DEL 2174DER	2175DEL 2175DER
1	WING NUT, #8-32	89126	89126
2	BLENDING STRIP	46532	46532
3	MIXING DRUM	46288	46288
4	MIXER PADDLE	46286	46286
5	MIX PADDLE LOCK STUD ASSY	46203	46203
6	HUB SEAL ASSY (includes Oil Seal, Hub Body, and O-Ring)	46632	46632
7	O-RING 1 3/4ID X 2OD	46631	46631
8	HUB SEAL	46630	46630
9	HUB SEAL BODY	46629	46629
10	AGITATOR SHAFT	46143	46143
11	RETAIN RING ASSY	46651	46651
12	DRUM SEAL	46701	46701
13	O-RING BUSHING SEAL	46119	46119
14	KETTLE ASSY (includes Shaft, Hub Seal Assy, Retaining Ring and Drum Seal; also see Kettle Bottom and Kettle Element View sections for itemized parts breakdown).	68007F	68015F



## Kettle and Drum – Parts List

Item	Part Description	Part No.	
		2174DEL 2174DER	2175DEL 2175DER
1	WING NUT, #8-32	89126	89126
2	BLENDING STRIP	46532	46532
3	MIXING DRUM	46288	46288
4	MIXER PADDLE	46286	46286
5	MIX PADDLE LOCK STUD ASSY	46203	46203
6	HUB SEAL ASSY (includes Oil Seal, Hub Body, and O-Ring)	46632	46632
7	O-RING 1 3/4ID X 2OD	46631	46631
8	HUB SEAL	46630	46630
9	HUB SEAL BODY	46629	46629
10	AGITATOR SHAFT	46143	46143
11	RETAIN RING ASSY	46651	46651
12	DRUM SEAL	46701	46701
13	O-RING BUSHING SEAL	46119	46119
14	KETTLE ASSY (includes Shaft, Hub Seal Assy, Retaining Ring and Drum Seal; also see Kettle Bottom and Kettle Element View sections for itemized parts breakdown).	68007F	68015F



## Kettle and Drum – Parts List

Item	Part Description	Part No.	
		2174DEL 2174DER	2175DEL 2175DER
1	WING NUT, #8-32	89126	89126
2	BLENDING STRIP	46532	46532
3	MIXING DRUM	46288	46288
4	MIXER PADDLE	46286	46286
5	MIX PADDLE LOCK STUD ASSY	46203	46203
6	HUB SEAL ASSY (includes Oil Seal, Hub Body, and O-Ring)	46632	46632
7	O-RING 1 3/4ID X 20D	46631	46631
8	HUB SEAL	46630	46630
9	HUB SEAL BODY	46629	46629
10	AGITATOR SHAFT	46143	46143
11	RETAIN RING ASSY	46651	46651
12	DRUM SEAL	46701	46701
13	O-RING BUSHING SEAL	46119	46119
14	KETTLE ASSY (includes Shaft, Hub Seal Assy, Retaining Ring and Drum Seal; also see Kettle Bottom and Kettle Element View sections for itemized parts breakdown).	68007F	68015F



## Kettle and Drum – Parts List

Item	Part Description	Part No.	
		2174DEL 2174DER	2175DEL 2175DER
1	WING NUT, #8-32	89126	89126
2	BLENDING STRIP	46532	46532
3	MIXING DRUM	46288	46288
4	MIXER PADDLE	46286	46286
5	MIX PADDLE LOCK STUD ASSY	46203	46203
6	HUB SEAL ASSY (includes Oil Seal, Hub Body, and O-Ring)	46632	46632
7	O-RING 1 3/4ID X 2OD	46631	46631
8	HUB SEAL	46630	46630
9	HUB SEAL BODY	46629	46629
10	AGITATOR SHAFT	46143	46143
11	RETAIN RING ASSY	46651	46651
12	DRUM SEAL	46701	46701
13	O-RING BUSHING SEAL	46119	46119
14	KETTLE ASSY (includes Shaft, Hub Seal Assy, Retaining Ring and Drum Seal; also see Kettle Bottom and Kettle Element View sections for itemized parts breakdown).	68007F	68015F



## Kettle and Drum – Parts List

Item	Part Description	Part No.	
		2174DEL 2174DER	2175DEL 2175DER
1	WING NUT, #8-32	89126	89126
2	BLENDING STRIP	46532	46532
3	MIXING DRUM	46288	46288
4	MIXER PADDLE	46286	46286
5	MIX PADDLE LOCK STUD ASSY	46203	46203
6	HUB SEAL ASSY (includes Oil Seal, Hub Body, and O-Ring)	46632	46632
7	O-RING 1 3/4ID X 20D	46631	46631
8	HUB SEAL	46630	46630
9	HUB SEAL BODY	46629	46629
10	AGITATOR SHAFT	46143	46143
11	RETAIN RING ASSY	46651	46651
12	DRUM SEAL	46701	46701
13	O-RING BUSHING SEAL	46119	46119
14	KETTLE ASSY (includes Shaft, Hub Seal Assy, Retaining Ring and Drum Seal; also see Kettle Bottom and Kettle Element View sections for itemized parts breakdown).	68007F	68015F



## Kettle and Drum – Parts List

Item	Part Description	Part No.	
		2174DEL 2174DER	2175DEL 2175DER
1	WING NUT, #8-32	89126	89126
2	BLENDING STRIP	46532	46532
3	MIXING DRUM	46288	46288
4	MIXER PADDLE	46286	46286
5	MIX PADDLE LOCK STUD ASSY	46203	46203
6	HUB SEAL ASSY (includes Oil Seal, Hub Body, and O-Ring)	46632	46632
7	O-RING 1 3/4ID X 20D	46631	46631
8	HUB SEAL	46630	46630
9	HUB SEAL BODY	46629	46629
10	AGITATOR SHAFT	46143	46143
11	RETAIN RING ASSY	46651	46651
12	DRUM SEAL	46701	46701
13	O-RING BUSHING SEAL	46119	46119
14	KETTLE ASSY (includes Shaft, Hub Seal Assy, Retaining Ring and Drum Seal; also see Kettle Bottom and Kettle Element View sections for itemized parts breakdown).	68007F	68015F



## Kettle Bottom Plate/Motor Mount – Parts Breakdown

Item	Part Description	Part No.	
		2174DEL 2174DER	2175DEL 2175DER
1	KETTLE ASSY (includes Shaft, Hub Seal Assy, Retaining Ring and Drum Seal; also see Kettle Bottom and Kettle Element View sections for itemized parts breakdown).	68007F	68015F
2	KETTLE REST BUMPER	83111	83111
3	KETTLE REST (metal rest/holds bumper)	83113	83113
4	1/4-20 X 1/2 P/H PHIL (fastens Kettle Rest)	12471	12471
5	WASHER 1/4 INTERNAL TOOTH	12383	12383
6	13/16"ID 2"OD FLAT WASHER	77892	77892
7	KEY (.187 X .187 X 3/4 ) (one used for agitator shaft, one used for motor shaft)	12509	12509
8	3/4 BORE COUPLING BODY (includes set screws)	46145	46145
9	FLEXIBLE SPIDER	12141	12141
10	5/8 BORE COUPLING BODY(includes set screws)	46144	46144
11	KETTLE LEAD IN ASSY	48769	48769
12	BOTTOM COVER	67995	67995
13	1/4-20 X 3/4 GRADE 5 BOLT	74520	74520
14	1/4 FLAT WASHER STAINLESS	87261	87261
15	MOTOR MOUNT (bracket)	16708	16708
16	1/4-20 x 1 1/4 HEX CAP (fastens motor)	48571	48571
17	MOTOR SPACER	67207	67207
18	DRIVE MOTOR	82085B	82085B
19	8-32 X 3/8 SLT. HWH M/S	42044	42044
20	CABLE CLAMP	87219	87219
21	STRAIN RELIEF (Plastic Strain Relief on cord end to Control Box)	76026	76026



## Kettle Bottom Plate/Motor Mount – Parts Breakdown

Item	Part Description	Part No.	
		2174DEL 2174DER	2175DEL 2175DER
1	KETTLE ASSY (includes Shaft, Hub Seal Assy, Retaining Ring and Drum Seal; also see Kettle Bottom and Kettle Element View sections for itemized parts breakdown).	68007F	68015F
2	KETTLE REST BUMPER	83111	83111
3	KETTLE REST (metal rest/holds bumper)	83113	83113
4	1/4-20 X 1/2 P/H PHIL (fastens Kettle Rest)	12471	12471
5	WASHER 1/4 INTERNAL TOOTH	12383	12383
6	13/16"ID 2"OD FLAT WASHER	77892	77892
7	KEY (.187 X .187 X 3/4 ) (one used for agitator shaft, one used for motor shaft)	12509	12509
8	3/4 BORE COUPLING BODY (includes set screws)	46145	46145
9	FLEXIBLE SPIDER	12141	12141
10	5/8 BORE COUPLING BODY(includes set screws)	46144	46144
11	KETTLE LEAD IN ASSY	48769	48769
12	BOTTOM COVER	67995	67995
13	1/4-20 X 3/4 GRADE 5 BOLT	74520	74520
14	1/4 FLAT WASHER STAINLESS	87261	87261
15	MOTOR MOUNT (bracket)	16708	16708
16	1/4-20 x 1 1/4 HEX CAP (fastens motor)	48571	48571
17	MOTOR SPACER	67207	67207
18	DRIVE MOTOR	82085B	82085B
19	8-32 X 3/8 SLT. HWH M/S	42044	42044
20	CABLE CLAMP	87219	87219
21	STRAIN RELIEF (Plastic Strain Relief on cord end to Control Box)	76026	76026



## Kettle Bottom Plate/Motor Mount – Parts Breakdown

Item	Part Description	Part No.	
		2174DEL 2174DER	2175DEL 2175DER
1	KETTLE ASSY (includes Shaft, Hub Seal Assy, Retaining Ring and Drum Seal; also see Kettle Bottom and Kettle Element View sections for itemized parts breakdown).	68007F	68015F
2	KETTLE REST BUMPER	83111	83111
3	KETTLE REST (metal rest/holds bumper)	83113	83113
4	1/4-20 X 1/2 P/H PHIL (fastens Kettle Rest)	12471	12471
5	WASHER 1/4 INTERNAL TOOTH	12383	12383
6	13/16"ID 2"OD FLAT WASHER	77892	77892
7	KEY (.187 X .187 X 3/4 ) (one used for agitator shaft, one used for motor shaft)	12509	12509
8	3/4 BORE COUPLING BODY (includes set screws)	46145	46145
9	FLEXIBLE SPIDER	12141	12141
10	5/8 BORE COUPLING BODY(includes set screws)	46144	46144
11	KETTLE LEAD IN ASSY	48769	48769
12	BOTTOM COVER	67995	67995
13	1/4-20 X 3/4 GRADE 5 BOLT	74520	74520
14	1/4 FLAT WASHER STAINLESS	87261	87261
15	MOTOR MOUNT (bracket)	16708	16708
16	1/4-20 x 1 1/4 HEX CAP (fastens motor)	48571	48571
17	MOTOR SPACER	67207	67207
18	DRIVE MOTOR	82085B	82085B
19	8-32 X 3/8 SLT. HWH M/S	42044	42044
20	CABLE CLAMP	87219	87219
21	STRAIN RELIEF (Plastic Strain Relief on cord end to Control Box)	76026	76026



## Kettle Bottom Plate/Motor Mount – Parts Breakdown

Item	Part Description	Part No.	
		2174DEL 2174DER	2175DEL 2175DER
1	KETTLE ASSY (includes Shaft, Hub Seal Assy, Retaining Ring and Drum Seal; also see Kettle Bottom and Kettle Element View sections for itemized parts breakdown).	68007F	68015F
2	KETTLE REST BUMPER	83111	83111
3	KETTLE REST (metal rest/holds bumper)	83113	83113
4	1/4-20 X 1/2 P/H PHIL (fastens Kettle Rest)	12471	12471
5	WASHER 1/4 INTERNAL TOOTH	12383	12383
6	13/16"ID 2"OD FLAT WASHER	77892	77892
7	KEY (.187 X .187 X 3/4 ) (one used for agitator shaft, one used for motor shaft)	12509	12509
8	3/4 BORE COUPLING BODY (includes set screws)	46145	46145
9	FLEXIBLE SPIDER	12141	12141
10	5/8 BORE COUPLING BODY(includes set screws)	46144	46144
11	KETTLE LEAD IN ASSY	48769	48769
12	BOTTOM COVER	67995	67995
13	1/4-20 X 3/4 GRADE 5 BOLT	74520	74520
14	1/4 FLAT WASHER STAINLESS	87261	87261
15	MOTOR MOUNT (bracket)	16708	16708
16	1/4-20 x 1 1/4 HEX CAP (fastens motor)	48571	48571
17	MOTOR SPACER	67207	67207
18	DRIVE MOTOR	82085B	82085B
19	8-32 X 3/8 SLT. HWH M/S	42044	42044
20	CABLE CLAMP	87219	87219
21	STRAIN RELIEF (Plastic Strain Relief on cord end to Control Box)	76026	76026



## Kettle Bottom Plate/Motor Mount – Parts Breakdown

Item	Part Description	Part No.	
		2174DEL 2174DER	2175DEL 2175DER
1	KETTLE ASSY (includes Shaft, Hub Seal Assy, Retaining Ring and Drum Seal; also see Kettle Bottom and Kettle Element View sections for itemized parts breakdown).	68007F	68015F
2	KETTLE REST BUMPER	83111	83111
3	KETTLE REST (metal rest/holds bumper)	83113	83113
4	1/4-20 X 1/2 P/H PHIL (fastens Kettle Rest)	12471	12471
5	WASHER 1/4 INTERNAL TOOTH	12383	12383
6	13/16"ID 2"OD FLAT WASHER	77892	77892
7	KEY (.187 X .187 X 3/4 ) (one used for agitator shaft, one used for motor shaft)	12509	12509
8	3/4 BORE COUPLING BODY (includes set screws)	46145	46145
9	FLEXIBLE SPIDER	12141	12141
10	5/8 BORE COUPLING BODY(includes set screws)	46144	46144
11	KETTLE LEAD IN ASSY	48769	48769
12	BOTTOM COVER	67995	67995
13	1/4-20 X 3/4 GRADE 5 BOLT	74520	74520
14	1/4 FLAT WASHER STAINLESS	87261	87261
15	MOTOR MOUNT (bracket)	16708	16708
16	1/4-20 x 1 1/4 HEX CAP (fastens motor)	48571	48571
17	MOTOR SPACER	67207	67207
18	DRIVE MOTOR	82085B	82085B
19	8-32 X 3/8 SLT. HWH M/S	42044	42044
20	CABLE CLAMP	87219	87219
21	STRAIN RELIEF (Plastic Strain Relief on cord end to Control Box)	76026	76026



## Kettle Bottom Plate/Motor Mount – Parts Breakdown

Item	Part Description	Part No.	
		2174DEL 2174DER	2175DEL 2175DER
1	KETTLE ASSY (includes Shaft, Hub Seal Assy, Retaining Ring and Drum Seal; also see Kettle Bottom and Kettle Element View sections for itemized parts breakdown).	68007F	68015F
2	KETTLE REST BUMPER	83111	83111
3	KETTLE REST (metal rest/holds bumper)	83113	83113
4	1/4-20 X 1/2 P/H PHIL (fastens Kettle Rest)	12471	12471
5	WASHER 1/4 INTERNAL TOOTH	12383	12383
6	13/16"ID 2"OD FLAT WASHER	77892	77892
7	KEY (.187 X .187 X 3/4 ) (one used for agitator shaft, one used for motor shaft)	12509	12509
8	3/4 BORE COUPLING BODY (includes set screws)	46145	46145
9	FLEXIBLE SPIDER	12141	12141
10	5/8 BORE COUPLING BODY(includes set screws)	46144	46144
11	KETTLE LEAD IN ASSY	48769	48769
12	BOTTOM COVER	67995	67995
13	1/4-20 X 3/4 GRADE 5 BOLT	74520	74520
14	1/4 FLAT WASHER STAINLESS	87261	87261
15	MOTOR MOUNT (bracket)	16708	16708
16	1/4-20 x 1 1/4 HEX CAP (fastens motor)	48571	48571
17	MOTOR SPACER	67207	67207
18	DRIVE MOTOR	82085B	82085B
19	8-32 X 3/8 SLT. HWH M/S	42044	42044
20	CABLE CLAMP	87219	87219
21	STRAIN RELIEF (Plastic Strain Relief on cord end to Control Box)	76026	76026



## Kettle Bottom Plate/Motor Mount – Parts Breakdown

Item	Part Description	Part No.	
		2174DEL 2174DER	2175DEL 2175DER
1	KETTLE ASSY (includes Shaft, Hub Seal Assy, Retaining Ring and Drum Seal; also see Kettle Bottom and Kettle Element View sections for itemized parts breakdown).	68007F	68015F
2	KETTLE REST BUMPER	83111	83111
3	KETTLE REST (metal rest/holds bumper)	83113	83113
4	1/4-20 X 1/2 P/H PHIL (fastens Kettle Rest)	12471	12471
5	WASHER 1/4 INTERNAL TOOTH	12383	12383
6	13/16"ID 2"OD FLAT WASHER	77892	77892
7	KEY (.187 X .187 X 3/4 ) (one used for agitator shaft, one used for motor shaft)	12509	12509
8	3/4 BORE COUPLING BODY (includes set screws)	46145	46145
9	FLEXIBLE SPIDER	12141	12141
10	5/8 BORE COUPLING BODY(includes set screws)	46144	46144
11	KETTLE LEAD IN ASSY	48769	48769
12	BOTTOM COVER	67995	67995
13	1/4-20 X 3/4 GRADE 5 BOLT	74520	74520
14	1/4 FLAT WASHER STAINLESS	87261	87261
15	MOTOR MOUNT (bracket)	16708	16708
16	1/4-20 x 1 1/4 HEX CAP (fastens motor)	48571	48571
17	MOTOR SPACER	67207	67207
18	DRIVE MOTOR	82085B	82085B
19	8-32 X 3/8 SLT. HWH M/S	42044	42044
20	CABLE CLAMP	87219	87219
21	STRAIN RELIEF (Plastic Strain Relief on cord end to Control Box)	76026	76026



## Kettle Bottom Plate/Motor Mount – Parts Breakdown

Item	Part Description	Part No.	
		2174DEL 2174DER	2175DEL 2175DER
1	KETTLE ASSY (includes Shaft, Hub Seal Assy, Retaining Ring and Drum Seal; also see Kettle Bottom and Kettle Element View sections for itemized parts breakdown).	68007F	68015F
2	KETTLE REST BUMPER	83111	83111
3	KETTLE REST (metal rest/holds bumper)	83113	83113
4	1/4-20 X 1/2 P/H PHIL (fastens Kettle Rest)	12471	12471
5	WASHER 1/4 INTERNAL TOOTH	12383	12383
6	13/16"ID 2"OD FLAT WASHER	77892	77892
7	KEY (.187 X .187 X 3/4 ) (one used for agitator shaft, one used for motor shaft)	12509	12509
8	3/4 BORE COUPLING BODY (includes set screws)	46145	46145
9	FLEXIBLE SPIDER	12141	12141
10	5/8 BORE COUPLING BODY(includes set screws)	46144	46144
11	KETTLE LEAD IN ASSY	48769	48769
12	BOTTOM COVER	67995	67995
13	1/4-20 X 3/4 GRADE 5 BOLT	74520	74520
14	1/4 FLAT WASHER STAINLESS	87261	87261
15	MOTOR MOUNT (bracket)	16708	16708
16	1/4-20 x 1 1/4 HEX CAP (fastens motor)	48571	48571
17	MOTOR SPACER	67207	67207
18	DRIVE MOTOR	82085B	82085B
19	8-32 X 3/8 SLT. HWH M/S	42044	42044
20	CABLE CLAMP	87219	87219
21	STRAIN RELIEF (Plastic Strain Relief on cord end to Control Box)	76026	76026



## Kettle Bottom Plate/Motor Mount – Parts Breakdown

Item	Part Description	Part No.	
		2174DEL 2174DER	2175DEL 2175DER
1	KETTLE ASSY (includes Shaft, Hub Seal Assy, Retaining Ring and Drum Seal; also see Kettle Bottom and Kettle Element View sections for itemized parts breakdown).	68007F	68015F
2	KETTLE REST BUMPER	83111	83111
3	KETTLE REST (metal rest/holds bumper)	83113	83113
4	1/4-20 X 1/2 P/H PHIL (fastens Kettle Rest)	12471	12471
5	WASHER 1/4 INTERNAL TOOTH	12383	12383
6	13/16"ID 2"OD FLAT WASHER	77892	77892
7	KEY (.187 X .187 X 3/4 ) (one used for agitator shaft, one used for motor shaft)	12509	12509
8	3/4 BORE COUPLING BODY (includes set screws)	46145	46145
9	FLEXIBLE SPIDER	12141	12141
10	5/8 BORE COUPLING BODY(includes set screws)	46144	46144
11	KETTLE LEAD IN ASSY	48769	48769
12	BOTTOM COVER	67995	67995
13	1/4-20 X 3/4 GRADE 5 BOLT	74520	74520
14	1/4 FLAT WASHER STAINLESS	87261	87261
15	MOTOR MOUNT (bracket)	16708	16708
16	1/4-20 x 1 1/4 HEX CAP (fastens motor)	48571	48571
17	MOTOR SPACER	67207	67207
18	DRIVE MOTOR	82085B	82085B
19	8-32 X 3/8 SLT. HWH M/S	42044	42044
20	CABLE CLAMP	87219	87219
21	STRAIN RELIEF (Plastic Strain Relief on cord end to Control Box)	76026	76026



## Kettle Bottom Plate/Motor Mount – Parts Breakdown

Item	Part Description	Part No.	
		2174DEL 2174DER	2175DEL 2175DER
1	KETTLE ASSY (includes Shaft, Hub Seal Assy, Retaining Ring and Drum Seal; also see Kettle Bottom and Kettle Element View sections for itemized parts breakdown).	68007F	68015F
2	KETTLE REST BUMPER	83111	83111
3	KETTLE REST (metal rest/holds bumper)	83113	83113
4	1/4-20 X 1/2 P/H PHIL (fastens Kettle Rest)	12471	12471
5	WASHER 1/4 INTERNAL TOOTH	12383	12383
6	13/16"ID 2"OD FLAT WASHER	77892	77892
7	KEY (.187 X .187 X 3/4 ) (one used for agitator shaft, one used for motor shaft)	12509	12509
8	3/4 BORE COUPLING BODY (includes set screws)	46145	46145
9	FLEXIBLE SPIDER	12141	12141
10	5/8 BORE COUPLING BODY(includes set screws)	46144	46144
11	KETTLE LEAD IN ASSY	48769	48769
12	BOTTOM COVER	67995	67995
13	1/4-20 X 3/4 GRADE 5 BOLT	74520	74520
14	1/4 FLAT WASHER STAINLESS	87261	87261
15	MOTOR MOUNT (bracket)	16708	16708
16	1/4-20 x 1 1/4 HEX CAP (fastens motor)	48571	48571
17	MOTOR SPACER	67207	67207
18	DRIVE MOTOR	82085B	82085B
19	8-32 X 3/8 SLT. HWH M/S	42044	42044
20	CABLE CLAMP	87219	87219
21	STRAIN RELIEF (Plastic Strain Relief on cord end to Control Box)	76026	76026



## Kettle Bottom Plate/Motor Mount – Parts Breakdown

Item	Part Description	Part No.	
		2174DEL 2174DER	2175DEL 2175DER
1	KETTLE ASSY (includes Shaft, Hub Seal Assy, Retaining Ring and Drum Seal; also see Kettle Bottom and Kettle Element View sections for itemized parts breakdown).	68007F	68015F
2	KETTLE REST BUMPER	83111	83111
3	KETTLE REST (metal rest/holds bumper)	83113	83113
4	1/4-20 X 1/2 P/H PHIL (fastens Kettle Rest)	12471	12471
5	WASHER 1/4 INTERNAL TOOTH	12383	12383
6	13/16"ID 2"OD FLAT WASHER	77892	77892
7	KEY (.187 X .187 X 3/4 ) (one used for agitator shaft, one used for motor shaft)	12509	12509
8	3/4 BORE COUPLING BODY (includes set screws)	46145	46145
9	FLEXIBLE SPIDER	12141	12141
10	5/8 BORE COUPLING BODY(includes set screws)	46144	46144
11	KETTLE LEAD IN ASSY	48769	48769
12	BOTTOM COVER	67995	67995
13	1/4-20 X 3/4 GRADE 5 BOLT	74520	74520
14	1/4 FLAT WASHER STAINLESS	87261	87261
15	MOTOR MOUNT (bracket)	16708	16708
16	1/4-20 x 1 1/4 HEX CAP (fastens motor)	48571	48571
17	MOTOR SPACER	67207	67207
18	DRIVE MOTOR	82085B	82085B
19	8-32 X 3/8 SLT. HWH M/S	42044	42044
20	CABLE CLAMP	87219	87219
21	STRAIN RELIEF (Plastic Strain Relief on cord end to Control Box)	76026	76026



## Kettle Bottom Plate/Motor Mount – Parts Breakdown

Item	Part Description	Part No.	
		2174DEL 2174DER	2175DEL 2175DER
1	KETTLE ASSY (includes Shaft, Hub Seal Assy, Retaining Ring and Drum Seal; also see Kettle Bottom and Kettle Element View sections for itemized parts breakdown).	68007F	68015F
2	KETTLE REST BUMPER	83111	83111
3	KETTLE REST (metal rest/holds bumper)	83113	83113
4	1/4-20 X 1/2 P/H PHIL (fastens Kettle Rest)	12471	12471
5	WASHER 1/4 INTERNAL TOOTH	12383	12383
6	13/16"ID 2"OD FLAT WASHER	77892	77892
7	KEY (.187 X .187 X 3/4 ) (one used for agitator shaft, one used for motor shaft)	12509	12509
8	3/4 BORE COUPLING BODY (includes set screws)	46145	46145
9	FLEXIBLE SPIDER	12141	12141
10	5/8 BORE COUPLING BODY(includes set screws)	46144	46144
11	KETTLE LEAD IN ASSY	48769	48769
12	BOTTOM COVER	67995	67995
13	1/4-20 X 3/4 GRADE 5 BOLT	74520	74520
14	1/4 FLAT WASHER STAINLESS	87261	87261
15	MOTOR MOUNT (bracket)	16708	16708
16	1/4-20 x 1 1/4 HEX CAP (fastens motor)	48571	48571
17	MOTOR SPACER	67207	67207
18	DRIVE MOTOR	82085B	82085B
19	8-32 X 3/8 SLT. HWH M/S	42044	42044
20	CABLE CLAMP	87219	87219
21	STRAIN RELIEF (Plastic Strain Relief on cord end to Control Box)	76026	76026



## Kettle Bottom Plate/Motor Mount – Parts Breakdown

Item	Part Description	Part No.	
		2174DEL 2174DER	2175DEL 2175DER
1	KETTLE ASSY (includes Shaft, Hub Seal Assy, Retaining Ring and Drum Seal; also see Kettle Bottom and Kettle Element View sections for itemized parts breakdown).	68007F	68015F
2	KETTLE REST BUMPER	83111	83111
3	KETTLE REST (metal rest/holds bumper)	83113	83113
4	1/4-20 X 1/2 P/H PHIL (fastens Kettle Rest)	12471	12471
5	WASHER 1/4 INTERNAL TOOTH	12383	12383
6	13/16"ID 2"OD FLAT WASHER	77892	77892
7	KEY (.187 X .187 X 3/4 ) (one used for agitator shaft, one used for motor shaft)	12509	12509
8	3/4 BORE COUPLING BODY (includes set screws)	46145	46145
9	FLEXIBLE SPIDER	12141	12141
10	5/8 BORE COUPLING BODY(includes set screws)	46144	46144
11	KETTLE LEAD IN ASSY	48769	48769
12	BOTTOM COVER	67995	67995
13	1/4-20 X 3/4 GRADE 5 BOLT	74520	74520
14	1/4 FLAT WASHER STAINLESS	87261	87261
15	MOTOR MOUNT (bracket)	16708	16708
16	1/4-20 x 1 1/4 HEX CAP (fastens motor)	48571	48571
17	MOTOR SPACER	67207	67207
18	DRIVE MOTOR	82085B	82085B
19	8-32 X 3/8 SLT. HWH M/S	42044	42044
20	CABLE CLAMP	87219	87219
21	STRAIN RELIEF (Plastic Strain Relief on cord end to Control Box)	76026	76026



## Kettle Bottom Plate/Motor Mount – Parts Breakdown

Item	Part Description	Part No.	
		2174DEL 2174DER	2175DEL 2175DER
1	KETTLE ASSY (includes Shaft, Hub Seal Assy, Retaining Ring and Drum Seal; also see Kettle Bottom and Kettle Element View sections for itemized parts breakdown).	68007F	68015F
2	KETTLE REST BUMPER	83111	83111
3	KETTLE REST (metal rest/holds bumper)	83113	83113
4	1/4-20 X 1/2 P/H PHIL (fastens Kettle Rest)	12471	12471
5	WASHER 1/4 INTERNAL TOOTH	12383	12383
6	13/16"ID 2"OD FLAT WASHER	77892	77892
7	KEY (.187 X .187 X 3/4 ) (one used for agitator shaft, one used for motor shaft)	12509	12509
8	3/4 BORE COUPLING BODY (includes set screws)	46145	46145
9	FLEXIBLE SPIDER	12141	12141
10	5/8 BORE COUPLING BODY(includes set screws)	46144	46144
11	KETTLE LEAD IN ASSY	48769	48769
12	BOTTOM COVER	67995	67995
13	1/4-20 X 3/4 GRADE 5 BOLT	74520	74520
14	1/4 FLAT WASHER STAINLESS	87261	87261
15	MOTOR MOUNT (bracket)	16708	16708
16	1/4-20 x 1 1/4 HEX CAP (fastens motor)	48571	48571
17	MOTOR SPACER	67207	67207
18	DRIVE MOTOR	82085B	82085B
19	8-32 X 3/8 SLT. HWH M/S	42044	42044
20	CABLE CLAMP	87219	87219
21	STRAIN RELIEF (Plastic Strain Relief on cord end to Control Box)	76026	76026



## Kettle Bottom Plate/Motor Mount – Parts Breakdown

Item	Part Description	Part No.	
		2174DEL 2174DER	2175DEL 2175DER
1	KETTLE ASSY (includes Shaft, Hub Seal Assy, Retaining Ring and Drum Seal; also see Kettle Bottom and Kettle Element View sections for itemized parts breakdown).	68007F	68015F
2	KETTLE REST BUMPER	83111	83111
3	KETTLE REST (metal rest/holds bumper)	83113	83113
4	1/4-20 X 1/2 P/H PHIL (fastens Kettle Rest)	12471	12471
5	WASHER 1/4 INTERNAL TOOTH	12383	12383
6	13/16"ID 2"OD FLAT WASHER	77892	77892
7	KEY (.187 X .187 X 3/4 ) (one used for agitator shaft, one used for motor shaft)	12509	12509
8	3/4 BORE COUPLING BODY (includes set screws)	46145	46145
9	FLEXIBLE SPIDER	12141	12141
10	5/8 BORE COUPLING BODY(includes set screws)	46144	46144
11	KETTLE LEAD IN ASSY	48769	48769
12	BOTTOM COVER	67995	67995
13	1/4-20 X 3/4 GRADE 5 BOLT	74520	74520
14	1/4 FLAT WASHER STAINLESS	87261	87261
15	MOTOR MOUNT (bracket)	16708	16708
16	1/4-20 x 1 1/4 HEX CAP (fastens motor)	48571	48571
17	MOTOR SPACER	67207	67207
18	DRIVE MOTOR	82085B	82085B
19	8-32 X 3/8 SLT. HWH M/S	42044	42044
20	CABLE CLAMP	87219	87219
21	STRAIN RELIEF (Plastic Strain Relief on cord end to Control Box)	76026	76026



## Kettle Bottom Plate/Motor Mount – Parts Breakdown

Item	Part Description	Part No.	
		2174DEL 2174DER	2175DEL 2175DER
1	KETTLE ASSY (includes Shaft, Hub Seal Assy, Retaining Ring and Drum Seal; also see Kettle Bottom and Kettle Element View sections for itemized parts breakdown).	68007F	68015F
2	KETTLE REST BUMPER	83111	83111
3	KETTLE REST (metal rest/holds bumper)	83113	83113
4	1/4-20 X 1/2 P/H PHIL (fastens Kettle Rest)	12471	12471
5	WASHER 1/4 INTERNAL TOOTH	12383	12383
6	13/16"ID 2"OD FLAT WASHER	77892	77892
7	KEY (.187 X .187 X 3/4 ) (one used for agitator shaft, one used for motor shaft)	12509	12509
8	3/4 BORE COUPLING BODY (includes set screws)	46145	46145
9	FLEXIBLE SPIDER	12141	12141
10	5/8 BORE COUPLING BODY(includes set screws)	46144	46144
11	KETTLE LEAD IN ASSY	48769	48769
12	BOTTOM COVER	67995	67995
13	1/4-20 X 3/4 GRADE 5 BOLT	74520	74520
14	1/4 FLAT WASHER STAINLESS	87261	87261
15	MOTOR MOUNT (bracket)	16708	16708
16	1/4-20 x 1 1/4 HEX CAP (fastens motor)	48571	48571
17	MOTOR SPACER	67207	67207
18	DRIVE MOTOR	82085B	82085B
19	8-32 X 3/8 SLT. HWH M/S	42044	42044
20	CABLE CLAMP	87219	87219
21	STRAIN RELIEF (Plastic Strain Relief on cord end to Control Box)	76026	76026



## Kettle Bottom Plate/Motor Mount – Parts Breakdown

Item	Part Description	Part No.	
		2174DEL 2174DER	2175DEL 2175DER
1	KETTLE ASSY (includes Shaft, Hub Seal Assy, Retaining Ring and Drum Seal; also see Kettle Bottom and Kettle Element View sections for itemized parts breakdown).	68007F	68015F
2	KETTLE REST BUMPER	83111	83111
3	KETTLE REST (metal rest/holds bumper)	83113	83113
4	1/4-20 X 1/2 P/H PHIL (fastens Kettle Rest)	12471	12471
5	WASHER 1/4 INTERNAL TOOTH	12383	12383
6	13/16"ID 2"OD FLAT WASHER	77892	77892
7	KEY (.187 X .187 X 3/4 ) (one used for agitator shaft, one used for motor shaft)	12509	12509
8	3/4 BORE COUPLING BODY (includes set screws)	46145	46145
9	FLEXIBLE SPIDER	12141	12141
10	5/8 BORE COUPLING BODY(includes set screws)	46144	46144
11	KETTLE LEAD IN ASSY	48769	48769
12	BOTTOM COVER	67995	67995
13	1/4-20 X 3/4 GRADE 5 BOLT	74520	74520
14	1/4 FLAT WASHER STAINLESS	87261	87261
15	MOTOR MOUNT (bracket)	16708	16708
16	1/4-20 x 1 1/4 HEX CAP (fastens motor)	48571	48571
17	MOTOR SPACER	67207	67207
18	DRIVE MOTOR	82085B	82085B
19	8-32 X 3/8 SLT. HWH M/S	42044	42044
20	CABLE CLAMP	87219	87219
21	STRAIN RELIEF (Plastic Strain Relief on cord end to Control Box)	76026	76026



## Kettle Bottom Plate/Motor Mount – Parts Breakdown

Item	Part Description	Part No.	
		2174DEL 2174DER	2175DEL 2175DER
1	KETTLE ASSY (includes Shaft, Hub Seal Assy, Retaining Ring and Drum Seal; also see Kettle Bottom and Kettle Element View sections for itemized parts breakdown).	68007F	68015F
2	KETTLE REST BUMPER	83111	83111
3	KETTLE REST (metal rest/holds bumper)	83113	83113
4	1/4-20 X 1/2 P/H PHIL (fastens Kettle Rest)	12471	12471
5	WASHER 1/4 INTERNAL TOOTH	12383	12383
6	13/16"ID 2"OD FLAT WASHER	77892	77892
7	KEY (.187 X .187 X 3/4 ) (one used for agitator shaft, one used for motor shaft)	12509	12509
8	3/4 BORE COUPLING BODY (includes set screws)	46145	46145
9	FLEXIBLE SPIDER	12141	12141
10	5/8 BORE COUPLING BODY(includes set screws)	46144	46144
11	KETTLE LEAD IN ASSY	48769	48769
12	BOTTOM COVER	67995	67995
13	1/4-20 X 3/4 GRADE 5 BOLT	74520	74520
14	1/4 FLAT WASHER STAINLESS	87261	87261
15	MOTOR MOUNT (bracket)	16708	16708
16	1/4-20 x 1 1/4 HEX CAP (fastens motor)	48571	48571
17	MOTOR SPACER	67207	67207
18	DRIVE MOTOR	82085B	82085B
19	8-32 X 3/8 SLT. HWH M/S	42044	42044
20	CABLE CLAMP	87219	87219
21	STRAIN RELIEF (Plastic Strain Relief on cord end to Control Box)	76026	76026



## Kettle Bottom Plate/Motor Mount – Parts Breakdown

Item	Part Description	Part No.	
		2174DEL 2174DER	2175DEL 2175DER
1	KETTLE ASSY (includes Shaft, Hub Seal Assy, Retaining Ring and Drum Seal; also see Kettle Bottom and Kettle Element View sections for itemized parts breakdown).	68007F	68015F
2	KETTLE REST BUMPER	83111	83111
3	KETTLE REST (metal rest/holds bumper)	83113	83113
4	1/4-20 X 1/2 P/H PHIL (fastens Kettle Rest)	12471	12471
5	WASHER 1/4 INTERNAL TOOTH	12383	12383
6	13/16"ID 2"OD FLAT WASHER	77892	77892
7	KEY (.187 X .187 X 3/4 ) (one used for agitator shaft, one used for motor shaft)	12509	12509
8	3/4 BORE COUPLING BODY (includes set screws)	46145	46145
9	FLEXIBLE SPIDER	12141	12141
10	5/8 BORE COUPLING BODY(includes set screws)	46144	46144
11	KETTLE LEAD IN ASSY	48769	48769
12	BOTTOM COVER	67995	67995
13	1/4-20 X 3/4 GRADE 5 BOLT	74520	74520
14	1/4 FLAT WASHER STAINLESS	87261	87261
15	MOTOR MOUNT (bracket)	16708	16708
16	1/4-20 x 1 1/4 HEX CAP (fastens motor)	48571	48571
17	MOTOR SPACER	67207	67207
18	DRIVE MOTOR	82085B	82085B
19	8-32 X 3/8 SLT. HWH M/S	42044	42044
20	CABLE CLAMP	87219	87219
21	STRAIN RELIEF (Plastic Strain Relief on cord end to Control Box)	76026	76026



## Kettle Bottom Plate/Motor Mount – Parts Breakdown

Item	Part Description	Part No.	
		2174DEL 2174DER	2175DEL 2175DER
1	KETTLE ASSY (includes Shaft, Hub Seal Assy, Retaining Ring and Drum Seal; also see Kettle Bottom and Kettle Element View sections for itemized parts breakdown).	68007F	68015F
2	KETTLE REST BUMPER	83111	83111
3	KETTLE REST (metal rest/holds bumper)	83113	83113
4	1/4-20 X 1/2 P/H PHIL (fastens Kettle Rest)	12471	12471
5	WASHER 1/4 INTERNAL TOOTH	12383	12383
6	13/16"ID 2"OD FLAT WASHER	77892	77892
7	KEY (.187 X .187 X 3/4 ) (one used for agitator shaft, one used for motor shaft)	12509	12509
8	3/4 BORE COUPLING BODY (includes set screws)	46145	46145
9	FLEXIBLE SPIDER	12141	12141
10	5/8 BORE COUPLING BODY(includes set screws)	46144	46144
11	KETTLE LEAD IN ASSY	48769	48769
12	BOTTOM COVER	67995	67995
13	1/4-20 X 3/4 GRADE 5 BOLT	74520	74520
14	1/4 FLAT WASHER STAINLESS	87261	87261
15	MOTOR MOUNT (bracket)	16708	16708
16	1/4-20 x 1 1/4 HEX CAP (fastens motor)	48571	48571
17	MOTOR SPACER	67207	67207
18	DRIVE MOTOR	82085B	82085B
19	8-32 X 3/8 SLT. HWH M/S	42044	42044
20	CABLE CLAMP	87219	87219
21	STRAIN RELIEF (Plastic Strain Relief on cord end to Control Box)	76026	76026



## Kettle Bottom Plate/Motor Mount – Parts Breakdown

Item	Part Description	Part No.	
		2174DEL 2174DER	2175DEL 2175DER
1	KETTLE ASSY (includes Shaft, Hub Seal Assy, Retaining Ring and Drum Seal; also see Kettle Bottom and Kettle Element View sections for itemized parts breakdown).	68007F	68015F
2	KETTLE REST BUMPER	83111	83111
3	KETTLE REST (metal rest/holds bumper)	83113	83113
4	1/4-20 X 1/2 P/H PHIL (fastens Kettle Rest)	12471	12471
5	WASHER 1/4 INTERNAL TOOTH	12383	12383
6	13/16"ID 2"OD FLAT WASHER	77892	77892
7	KEY (.187 X .187 X 3/4 ) (one used for agitator shaft, one used for motor shaft)	12509	12509
8	3/4 BORE COUPLING BODY (includes set screws)	46145	46145
9	FLEXIBLE SPIDER	12141	12141
10	5/8 BORE COUPLING BODY(includes set screws)	46144	46144
11	KETTLE LEAD IN ASSY	48769	48769
12	BOTTOM COVER	67995	67995
13	1/4-20 X 3/4 GRADE 5 BOLT	74520	74520
14	1/4 FLAT WASHER STAINLESS	87261	87261
15	MOTOR MOUNT (bracket)	16708	16708
16	1/4-20 x 1 1/4 HEX CAP (fastens motor)	48571	48571
17	MOTOR SPACER	67207	67207
18	DRIVE MOTOR	82085B	82085B
19	8-32 X 3/8 SLT. HWH M/S	42044	42044
20	CABLE CLAMP	87219	87219
21	STRAIN RELIEF (Plastic Strain Relief on cord end to Control Box)	76026	76026



## Kettle Bottom Plate/Motor Mount – Parts Breakdown

Item	Part Description	Part No.	
		2174DEL 2174DER	2175DEL 2175DER
1	KETTLE ASSY (includes Shaft, Hub Seal Assy, Retaining Ring and Drum Seal; also see Kettle Bottom and Kettle Element View sections for itemized parts breakdown).	68007F	68015F
2	KETTLE REST BUMPER	83111	83111
3	KETTLE REST (metal rest/holds bumper)	83113	83113
4	1/4-20 X 1/2 P/H PHIL (fastens Kettle Rest)	12471	12471
5	WASHER 1/4 INTERNAL TOOTH	12383	12383
6	13/16"ID 2"OD FLAT WASHER	77892	77892
7	KEY (.187 X .187 X 3/4 ) (one used for agitator shaft, one used for motor shaft)	12509	12509
8	3/4 BORE COUPLING BODY (includes set screws)	46145	46145
9	FLEXIBLE SPIDER	12141	12141
10	5/8 BORE COUPLING BODY(includes set screws)	46144	46144
11	KETTLE LEAD IN ASSY	48769	48769
12	BOTTOM COVER	67995	67995
13	1/4-20 X 3/4 GRADE 5 BOLT	74520	74520
14	1/4 FLAT WASHER STAINLESS	87261	87261
15	MOTOR MOUNT (bracket)	16708	16708
16	1/4-20 x 1 1/4 HEX CAP (fastens motor)	48571	48571
17	MOTOR SPACER	67207	67207
18	DRIVE MOTOR	82085B	82085B
19	8-32 X 3/8 SLT. HWH M/S	42044	42044
20	CABLE CLAMP	87219	87219
21	STRAIN RELIEF (Plastic Strain Relief on cord end to Control Box)	76026	76026



## Kettle Bottom Plate/Motor Mount – Parts Breakdown

Item	Part Description	Part No.	
		2174DEL 2174DER	2175DEL 2175DER
1	KETTLE ASSY (includes Shaft, Hub Seal Assy, Retaining Ring and Drum Seal; also see Kettle Bottom and Kettle Element View sections for itemized parts breakdown).	68007F	68015F
2	KETTLE REST BUMPER	83111	83111
3	KETTLE REST (metal rest/holds bumper)	83113	83113
4	1/4-20 X 1/2 P/H PHIL (fastens Kettle Rest)	12471	12471
5	WASHER 1/4 INTERNAL TOOTH	12383	12383
6	13/16"ID 2"OD FLAT WASHER	77892	77892
7	KEY (.187 X .187 X 3/4 ) (one used for agitator shaft, one used for motor shaft)	12509	12509
8	3/4 BORE COUPLING BODY (includes set screws)	46145	46145
9	FLEXIBLE SPIDER	12141	12141
10	5/8 BORE COUPLING BODY(includes set screws)	46144	46144
11	KETTLE LEAD IN ASSY	48769	48769
12	BOTTOM COVER	67995	67995
13	1/4-20 X 3/4 GRADE 5 BOLT	74520	74520
14	1/4 FLAT WASHER STAINLESS	87261	87261
15	MOTOR MOUNT (bracket)	16708	16708
16	1/4-20 x 1 1/4 HEX CAP (fastens motor)	48571	48571
17	MOTOR SPACER	67207	67207
18	DRIVE MOTOR	82085B	82085B
19	8-32 X 3/8 SLT. HWH M/S	42044	42044
20	CABLE CLAMP	87219	87219
21	STRAIN RELIEF (Plastic Strain Relief on cord end to Control Box)	76026	76026



## Kettle Bottom Plate/Motor Mount – Parts Breakdown

Item	Part Description	Part No.	
		2174DEL 2174DER	2175DEL 2175DER
1	KETTLE ASSY (includes Shaft, Hub Seal Assy, Retaining Ring and Drum Seal; also see Kettle Bottom and Kettle Element View sections for itemized parts breakdown).	68007F	68015F
2	KETTLE REST BUMPER	83111	83111
3	KETTLE REST (metal rest/holds bumper)	83113	83113
4	1/4-20 X 1/2 P/H PHIL (fastens Kettle Rest)	12471	12471
5	WASHER 1/4 INTERNAL TOOTH	12383	12383
6	13/16"ID 2"OD FLAT WASHER	77892	77892
7	KEY (.187 X .187 X 3/4 ) (one used for agitator shaft, one used for motor shaft)	12509	12509
8	3/4 BORE COUPLING BODY (includes set screws)	46145	46145
9	FLEXIBLE SPIDER	12141	12141
10	5/8 BORE COUPLING BODY(includes set screws)	46144	46144
11	KETTLE LEAD IN ASSY	48769	48769
12	BOTTOM COVER	67995	67995
13	1/4-20 X 3/4 GRADE 5 BOLT	74520	74520
14	1/4 FLAT WASHER STAINLESS	87261	87261
15	MOTOR MOUNT (bracket)	16708	16708
16	1/4-20 x 1 1/4 HEX CAP (fastens motor)	48571	48571
17	MOTOR SPACER	67207	67207
18	DRIVE MOTOR	82085B	82085B
19	8-32 X 3/8 SLT. HWH M/S	42044	42044
20	CABLE CLAMP	87219	87219
21	STRAIN RELIEF (Plastic Strain Relief on cord end to Control Box)	76026	76026



## Kettle Bottom Plate/Motor Mount – Parts Breakdown

Item	Part Description	Part No.	
		2174DEL 2174DER	2175DEL 2175DER
1	KETTLE ASSY (includes Shaft, Hub Seal Assy, Retaining Ring and Drum Seal; also see Kettle Bottom and Kettle Element View sections for itemized parts breakdown).	68007F	68015F
2	KETTLE REST BUMPER	83111	83111
3	KETTLE REST (metal rest/holds bumper)	83113	83113
4	1/4-20 X 1/2 P/H PHIL (fastens Kettle Rest)	12471	12471
5	WASHER 1/4 INTERNAL TOOTH	12383	12383
6	13/16"ID 2"OD FLAT WASHER	77892	77892
7	KEY (.187 X .187 X 3/4 ) (one used for agitator shaft, one used for motor shaft)	12509	12509
8	3/4 BORE COUPLING BODY (includes set screws)	46145	46145
9	FLEXIBLE SPIDER	12141	12141
10	5/8 BORE COUPLING BODY(includes set screws)	46144	46144
11	KETTLE LEAD IN ASSY	48769	48769
12	BOTTOM COVER	67995	67995
13	1/4-20 X 3/4 GRADE 5 BOLT	74520	74520
14	1/4 FLAT WASHER STAINLESS	87261	87261
15	MOTOR MOUNT (bracket)	16708	16708
16	1/4-20 x 1 1/4 HEX CAP (fastens motor)	48571	48571
17	MOTOR SPACER	67207	67207
18	DRIVE MOTOR	82085B	82085B
19	8-32 X 3/8 SLT. HWH M/S	42044	42044
20	CABLE CLAMP	87219	87219
21	STRAIN RELIEF (Plastic Strain Relief on cord end to Control Box)	76026	76026



## Kettle Bottom Plate/Motor Mount – Parts Breakdown

Item	Part Description	Part No.	
		2174DEL 2174DER	2175DEL 2175DER
1	KETTLE ASSY (includes Shaft, Hub Seal Assy, Retaining Ring and Drum Seal; also see Kettle Bottom and Kettle Element View sections for itemized parts breakdown).	68007F	68015F
2	KETTLE REST BUMPER	83111	83111
3	KETTLE REST (metal rest/holds bumper)	83113	83113
4	1/4-20 X 1/2 P/H PHIL (fastens Kettle Rest)	12471	12471
5	WASHER 1/4 INTERNAL TOOTH	12383	12383
6	13/16"ID 2"OD FLAT WASHER	77892	77892
7	KEY (.187 X .187 X 3/4 ) (one used for agitator shaft, one used for motor shaft)	12509	12509
8	3/4 BORE COUPLING BODY (includes set screws)	46145	46145
9	FLEXIBLE SPIDER	12141	12141
10	5/8 BORE COUPLING BODY(includes set screws)	46144	46144
11	KETTLE LEAD IN ASSY	48769	48769
12	BOTTOM COVER	67995	67995
13	1/4-20 X 3/4 GRADE 5 BOLT	74520	74520
14	1/4 FLAT WASHER STAINLESS	87261	87261
15	MOTOR MOUNT (bracket)	16708	16708
16	1/4-20 x 1 1/4 HEX CAP (fastens motor)	48571	48571
17	MOTOR SPACER	67207	67207
18	DRIVE MOTOR	82085B	82085B
19	8-32 X 3/8 SLT. HWH M/S	42044	42044
20	CABLE CLAMP	87219	87219
21	STRAIN RELIEF (Plastic Strain Relief on cord end to Control Box)	76026	76026



## Kettle Bottom Plate/Motor Mount – Parts Breakdown

Item	Part Description	Part No.	
		2174DEL 2174DER	2175DEL 2175DER
1	KETTLE ASSY (includes Shaft, Hub Seal Assy, Retaining Ring and Drum Seal; also see Kettle Bottom and Kettle Element View sections for itemized parts breakdown).	68007F	68015F
2	KETTLE REST BUMPER	83111	83111
3	KETTLE REST (metal rest/holds bumper)	83113	83113
4	1/4-20 X 1/2 P/H PHIL (fastens Kettle Rest)	12471	12471
5	WASHER 1/4 INTERNAL TOOTH	12383	12383
6	13/16"ID 2"OD FLAT WASHER	77892	77892
7	KEY (.187 X .187 X 3/4 ) (one used for agitator shaft, one used for motor shaft)	12509	12509
8	3/4 BORE COUPLING BODY (includes set screws)	46145	46145
9	FLEXIBLE SPIDER	12141	12141
10	5/8 BORE COUPLING BODY(includes set screws)	46144	46144
11	KETTLE LEAD IN ASSY	48769	48769
12	BOTTOM COVER	67995	67995
13	1/4-20 X 3/4 GRADE 5 BOLT	74520	74520
14	1/4 FLAT WASHER STAINLESS	87261	87261
15	MOTOR MOUNT (bracket)	16708	16708
16	1/4-20 x 1 1/4 HEX CAP (fastens motor)	48571	48571
17	MOTOR SPACER	67207	67207
18	DRIVE MOTOR	82085B	82085B
19	8-32 X 3/8 SLT. HWH M/S	42044	42044
20	CABLE CLAMP	87219	87219
21	STRAIN RELIEF (Plastic Strain Relief on cord end to Control Box)	76026	76026



## Kettle Bottom Plate/Motor Mount – Parts Breakdown

Item	Part Description	Part No.	
		2174DEL 2174DER	2175DEL 2175DER
1	KETTLE ASSY (includes Shaft, Hub Seal Assy, Retaining Ring and Drum Seal; also see Kettle Bottom and Kettle Element View sections for itemized parts breakdown).	68007F	68015F
2	KETTLE REST BUMPER	83111	83111
3	KETTLE REST (metal rest/holds bumper)	83113	83113
4	1/4-20 X 1/2 P/H PHIL (fastens Kettle Rest)	12471	12471
5	WASHER 1/4 INTERNAL TOOTH	12383	12383
6	13/16"ID 2"OD FLAT WASHER	77892	77892
7	KEY (.187 X .187 X 3/4 ) (one used for agitator shaft, one used for motor shaft)	12509	12509
8	3/4 BORE COUPLING BODY (includes set screws)	46145	46145
9	FLEXIBLE SPIDER	12141	12141
10	5/8 BORE COUPLING BODY(includes set screws)	46144	46144
11	KETTLE LEAD IN ASSY	48769	48769
12	BOTTOM COVER	67995	67995
13	1/4-20 X 3/4 GRADE 5 BOLT	74520	74520
14	1/4 FLAT WASHER STAINLESS	87261	87261
15	MOTOR MOUNT (bracket)	16708	16708
16	1/4-20 x 1 1/4 HEX CAP (fastens motor)	48571	48571
17	MOTOR SPACER	67207	67207
18	DRIVE MOTOR	82085B	82085B
19	8-32 X 3/8 SLT. HWH M/S	42044	42044
20	CABLE CLAMP	87219	87219
21	STRAIN RELIEF (Plastic Strain Relief on cord end to Control Box)	76026	76026



## Kettle Bottom Plate/Motor Mount – Parts Breakdown

Item	Part Description	Part No.	
		2174DEL 2174DER	2175DEL 2175DER
1	KETTLE ASSY (includes Shaft, Hub Seal Assy, Retaining Ring and Drum Seal; also see Kettle Bottom and Kettle Element View sections for itemized parts breakdown).	68007F	68015F
2	KETTLE REST BUMPER	83111	83111
3	KETTLE REST (metal rest/holds bumper)	83113	83113
4	1/4-20 X 1/2 P/H PHIL (fastens Kettle Rest)	12471	12471
5	WASHER 1/4 INTERNAL TOOTH	12383	12383
6	13/16"ID 2"OD FLAT WASHER	77892	77892
7	KEY (.187 X .187 X 3/4 ) (one used for agitator shaft, one used for motor shaft)	12509	12509
8	3/4 BORE COUPLING BODY (includes set screws)	46145	46145
9	FLEXIBLE SPIDER	12141	12141
10	5/8 BORE COUPLING BODY(includes set screws)	46144	46144
11	KETTLE LEAD IN ASSY	48769	48769
12	BOTTOM COVER	67995	67995
13	1/4-20 X 3/4 GRADE 5 BOLT	74520	74520
14	1/4 FLAT WASHER STAINLESS	87261	87261
15	MOTOR MOUNT (bracket)	16708	16708
16	1/4-20 x 1 1/4 HEX CAP (fastens motor)	48571	48571
17	MOTOR SPACER	67207	67207
18	DRIVE MOTOR	82085B	82085B
19	8-32 X 3/8 SLT. HWH M/S	42044	42044
20	CABLE CLAMP	87219	87219
21	STRAIN RELIEF (Plastic Strain Relief on cord end to Control Box)	76026	76026



## Kettle Bottom Plate/Motor Mount – Parts Breakdown

Item	Part Description	Part No.	
		2174DEL 2174DER	2175DEL 2175DER
1	KETTLE ASSY (includes Shaft, Hub Seal Assy, Retaining Ring and Drum Seal; also see Kettle Bottom and Kettle Element View sections for itemized parts breakdown).	68007F	68015F
2	KETTLE REST BUMPER	83111	83111
3	KETTLE REST (metal rest/holds bumper)	83113	83113
4	1/4-20 X 1/2 P/H PHIL (fastens Kettle Rest)	12471	12471
5	WASHER 1/4 INTERNAL TOOTH	12383	12383
6	13/16"ID 2"OD FLAT WASHER	77892	77892
7	KEY (.187 X .187 X 3/4 ) (one used for agitator shaft, one used for motor shaft)	12509	12509
8	3/4 BORE COUPLING BODY (includes set screws)	46145	46145
9	FLEXIBLE SPIDER	12141	12141
10	5/8 BORE COUPLING BODY(includes set screws)	46144	46144
11	KETTLE LEAD IN ASSY	48769	48769
12	BOTTOM COVER	67995	67995
13	1/4-20 X 3/4 GRADE 5 BOLT	74520	74520
14	1/4 FLAT WASHER STAINLESS	87261	87261
15	MOTOR MOUNT (bracket)	16708	16708
16	1/4-20 x 1 1/4 HEX CAP (fastens motor)	48571	48571
17	MOTOR SPACER	67207	67207
18	DRIVE MOTOR	82085B	82085B
19	8-32 X 3/8 SLT. HWH M/S	42044	42044
20	CABLE CLAMP	87219	87219
21	STRAIN RELIEF (Plastic Strain Relief on cord end to Control Box)	76026	76026



## Kettle Bottom Plate/Motor Mount – Parts Breakdown

Item	Part Description	Part No.	
		2174DEL 2174DER	2175DEL 2175DER
1	KETTLE ASSY (includes Shaft, Hub Seal Assy, Retaining Ring and Drum Seal; also see Kettle Bottom and Kettle Element View sections for itemized parts breakdown).	68007F	68015F
2	KETTLE REST BUMPER	83111	83111
3	KETTLE REST (metal rest/holds bumper)	83113	83113
4	1/4-20 X 1/2 P/H PHIL (fastens Kettle Rest)	12471	12471
5	WASHER 1/4 INTERNAL TOOTH	12383	12383
6	13/16"ID 2"OD FLAT WASHER	77892	77892
7	KEY (.187 X .187 X 3/4 ) (one used for agitator shaft, one used for motor shaft)	12509	12509
8	3/4 BORE COUPLING BODY (includes set screws)	46145	46145
9	FLEXIBLE SPIDER	12141	12141
10	5/8 BORE COUPLING BODY(includes set screws)	46144	46144
11	KETTLE LEAD IN ASSY	48769	48769
12	BOTTOM COVER	67995	67995
13	1/4-20 X 3/4 GRADE 5 BOLT	74520	74520
14	1/4 FLAT WASHER STAINLESS	87261	87261
15	MOTOR MOUNT (bracket)	16708	16708
16	1/4-20 x 1 1/4 HEX CAP (fastens motor)	48571	48571
17	MOTOR SPACER	67207	67207
18	DRIVE MOTOR	82085B	82085B
19	8-32 X 3/8 SLT. HWH M/S	42044	42044
20	CABLE CLAMP	87219	87219
21	STRAIN RELIEF (Plastic Strain Relief on cord end to Control Box)	76026	76026



## Kettle Bottom Plate/Motor Mount – Parts Breakdown

Item	Part Description	Part No.	
		2174DEL 2174DER	2175DEL 2175DER
1	KETTLE ASSY (includes Shaft, Hub Seal Assy, Retaining Ring and Drum Seal; also see Kettle Bottom and Kettle Element View sections for itemized parts breakdown).	68007F	68015F
2	KETTLE REST BUMPER	83111	83111
3	KETTLE REST (metal rest/holds bumper)	83113	83113
4	1/4-20 X 1/2 P/H PHIL (fastens Kettle Rest)	12471	12471
5	WASHER 1/4 INTERNAL TOOTH	12383	12383
6	13/16"ID 2"OD FLAT WASHER	77892	77892
7	KEY (.187 X .187 X 3/4 ) (one used for agitator shaft, one used for motor shaft)	12509	12509
8	3/4 BORE COUPLING BODY (includes set screws)	46145	46145
9	FLEXIBLE SPIDER	12141	12141
10	5/8 BORE COUPLING BODY(includes set screws)	46144	46144
11	KETTLE LEAD IN ASSY	48769	48769
12	BOTTOM COVER	67995	67995
13	1/4-20 X 3/4 GRADE 5 BOLT	74520	74520
14	1/4 FLAT WASHER STAINLESS	87261	87261
15	MOTOR MOUNT (bracket)	16708	16708
16	1/4-20 x 1 1/4 HEX CAP (fastens motor)	48571	48571
17	MOTOR SPACER	67207	67207
18	DRIVE MOTOR	82085B	82085B
19	8-32 X 3/8 SLT. HWH M/S	42044	42044
20	CABLE CLAMP	87219	87219
21	STRAIN RELIEF (Plastic Strain Relief on cord end to Control Box)	76026	76026



## Kettle Bottom Plate/Motor Mount – Parts Breakdown

Item	Part Description	Part No.	
		2174DEL 2174DER	2175DEL 2175DER
1	KETTLE ASSY (includes Shaft, Hub Seal Assy, Retaining Ring and Drum Seal; also see Kettle Bottom and Kettle Element View sections for itemized parts breakdown).	68007F	68015F
2	KETTLE REST BUMPER	83111	83111
3	KETTLE REST (metal rest/holds bumper)	83113	83113
4	1/4-20 X 1/2 P/H PHIL (fastens Kettle Rest)	12471	12471
5	WASHER 1/4 INTERNAL TOOTH	12383	12383
6	13/16"ID 2"OD FLAT WASHER	77892	77892
7	KEY (.187 X .187 X 3/4 ) (one used for agitator shaft, one used for motor shaft)	12509	12509
8	3/4 BORE COUPLING BODY (includes set screws)	46145	46145
9	FLEXIBLE SPIDER	12141	12141
10	5/8 BORE COUPLING BODY(includes set screws)	46144	46144
11	KETTLE LEAD IN ASSY	48769	48769
12	BOTTOM COVER	67995	67995
13	1/4-20 X 3/4 GRADE 5 BOLT	74520	74520
14	1/4 FLAT WASHER STAINLESS	87261	87261
15	MOTOR MOUNT (bracket)	16708	16708
16	1/4-20 x 1 1/4 HEX CAP (fastens motor)	48571	48571
17	MOTOR SPACER	67207	67207
18	DRIVE MOTOR	82085B	82085B
19	8-32 X 3/8 SLT. HWH M/S	42044	42044
20	CABLE CLAMP	87219	87219
21	STRAIN RELIEF (Plastic Strain Relief on cord end to Control Box)	76026	76026



## Kettle Bottom Plate/Motor Mount – Parts Breakdown

Item	Part Description	Part No.	
		2174DEL 2174DER	2175DEL 2175DER
1	KETTLE ASSY (includes Shaft, Hub Seal Assy, Retaining Ring and Drum Seal; also see Kettle Bottom and Kettle Element View sections for itemized parts breakdown).	68007F	68015F
2	KETTLE REST BUMPER	83111	83111
3	KETTLE REST (metal rest/holds bumper)	83113	83113
4	1/4-20 X 1/2 P/H PHIL (fastens Kettle Rest)	12471	12471
5	WASHER 1/4 INTERNAL TOOTH	12383	12383
6	13/16"ID 2"OD FLAT WASHER	77892	77892
7	KEY (.187 X .187 X 3/4 ) (one used for agitator shaft, one used for motor shaft)	12509	12509
8	3/4 BORE COUPLING BODY (includes set screws)	46145	46145
9	FLEXIBLE SPIDER	12141	12141
10	5/8 BORE COUPLING BODY(includes set screws)	46144	46144
11	KETTLE LEAD IN ASSY	48769	48769
12	BOTTOM COVER	67995	67995
13	1/4-20 X 3/4 GRADE 5 BOLT	74520	74520
14	1/4 FLAT WASHER STAINLESS	87261	87261
15	MOTOR MOUNT (bracket)	16708	16708
16	1/4-20 x 1 1/4 HEX CAP (fastens motor)	48571	48571
17	MOTOR SPACER	67207	67207
18	DRIVE MOTOR	82085B	82085B
19	8-32 X 3/8 SLT. HWH M/S	42044	42044
20	CABLE CLAMP	87219	87219
21	STRAIN RELIEF (Plastic Strain Relief on cord end to Control Box)	76026	76026



## Kettle Bottom Plate/Motor Mount – Parts Breakdown

Item	Part Description	Part No.	
		2174DEL 2174DER	2175DEL 2175DER
1	KETTLE ASSY (includes Shaft, Hub Seal Assy, Retaining Ring and Drum Seal; also see Kettle Bottom and Kettle Element View sections for itemized parts breakdown).	68007F	68015F
2	KETTLE REST BUMPER	83111	83111
3	KETTLE REST (metal rest/holds bumper)	83113	83113
4	1/4-20 X 1/2 P/H PHIL (fastens Kettle Rest)	12471	12471
5	WASHER 1/4 INTERNAL TOOTH	12383	12383
6	13/16"ID 2"OD FLAT WASHER	77892	77892
7	KEY (.187 X .187 X 3/4 ) (one used for agitator shaft, one used for motor shaft)	12509	12509
8	3/4 BORE COUPLING BODY (includes set screws)	46145	46145
9	FLEXIBLE SPIDER	12141	12141
10	5/8 BORE COUPLING BODY(includes set screws)	46144	46144
11	KETTLE LEAD IN ASSY	48769	48769
12	BOTTOM COVER	67995	67995
13	1/4-20 X 3/4 GRADE 5 BOLT	74520	74520
14	1/4 FLAT WASHER STAINLESS	87261	87261
15	MOTOR MOUNT (bracket)	16708	16708
16	1/4-20 x 1 1/4 HEX CAP (fastens motor)	48571	48571
17	MOTOR SPACER	67207	67207
18	DRIVE MOTOR	82085B	82085B
19	8-32 X 3/8 SLT. HWH M/S	42044	42044
20	CABLE CLAMP	87219	87219
21	STRAIN RELIEF (Plastic Strain Relief on cord end to Control Box)	76026	76026



## Kettle Bottom Plate/Motor Mount – Parts Breakdown

Item	Part Description	Part No.	
		2174DEL 2174DER	2175DEL 2175DER
1	KETTLE ASSY (includes Shaft, Hub Seal Assy, Retaining Ring and Drum Seal; also see Kettle Bottom and Kettle Element View sections for itemized parts breakdown).	68007F	68015F
2	KETTLE REST BUMPER	83111	83111
3	KETTLE REST (metal rest/holds bumper)	83113	83113
4	1/4-20 X 1/2 P/H PHIL (fastens Kettle Rest)	12471	12471
5	WASHER 1/4 INTERNAL TOOTH	12383	12383
6	13/16"ID 2"OD FLAT WASHER	77892	77892
7	KEY (.187 X .187 X 3/4 ) (one used for agitator shaft, one used for motor shaft)	12509	12509
8	3/4 BORE COUPLING BODY (includes set screws)	46145	46145
9	FLEXIBLE SPIDER	12141	12141
10	5/8 BORE COUPLING BODY(includes set screws)	46144	46144
11	KETTLE LEAD IN ASSY	48769	48769
12	BOTTOM COVER	67995	67995
13	1/4-20 X 3/4 GRADE 5 BOLT	74520	74520
14	1/4 FLAT WASHER STAINLESS	87261	87261
15	MOTOR MOUNT (bracket)	16708	16708
16	1/4-20 x 1 1/4 HEX CAP (fastens motor)	48571	48571
17	MOTOR SPACER	67207	67207
18	DRIVE MOTOR	82085B	82085B
19	8-32 X 3/8 SLT. HWH M/S	42044	42044
20	CABLE CLAMP	87219	87219
21	STRAIN RELIEF (Plastic Strain Relief on cord end to Control Box)	76026	76026



## Kettle Bottom Plate/Motor Mount – Parts Breakdown

Item	Part Description	Part No.	
		2174DEL 2174DER	2175DEL 2175DER
1	KETTLE ASSY (includes Shaft, Hub Seal Assy, Retaining Ring and Drum Seal; also see Kettle Bottom and Kettle Element View sections for itemized parts breakdown).	68007F	68015F
2	KETTLE REST BUMPER	83111	83111
3	KETTLE REST (metal rest/holds bumper)	83113	83113
4	1/4-20 X 1/2 P/H PHIL (fastens Kettle Rest)	12471	12471
5	WASHER 1/4 INTERNAL TOOTH	12383	12383
6	13/16"ID 2"OD FLAT WASHER	77892	77892
7	KEY (.187 X .187 X 3/4 ) (one used for agitator shaft, one used for motor shaft)	12509	12509
8	3/4 BORE COUPLING BODY (includes set screws)	46145	46145
9	FLEXIBLE SPIDER	12141	12141
10	5/8 BORE COUPLING BODY(includes set screws)	46144	46144
11	KETTLE LEAD IN ASSY	48769	48769
12	BOTTOM COVER	67995	67995
13	1/4-20 X 3/4 GRADE 5 BOLT	74520	74520
14	1/4 FLAT WASHER STAINLESS	87261	87261
15	MOTOR MOUNT (bracket)	16708	16708
16	1/4-20 x 1 1/4 HEX CAP (fastens motor)	48571	48571
17	MOTOR SPACER	67207	67207
18	DRIVE MOTOR	82085B	82085B
19	8-32 X 3/8 SLT. HWH M/S	42044	42044
20	CABLE CLAMP	87219	87219
21	STRAIN RELIEF (Plastic Strain Relief on cord end to Control Box)	76026	76026



## Kettle Bottom Plate/Motor Mount – Parts Breakdown

Item	Part Description	Part No.	
		2174DEL 2174DER	2175DEL 2175DER
1	KETTLE ASSY (includes Shaft, Hub Seal Assy, Retaining Ring and Drum Seal; also see Kettle Bottom and Kettle Element View sections for itemized parts breakdown).	68007F	68015F
2	KETTLE REST BUMPER	83111	83111
3	KETTLE REST (metal rest/holds bumper)	83113	83113
4	1/4-20 X 1/2 P/H PHIL (fastens Kettle Rest)	12471	12471
5	WASHER 1/4 INTERNAL TOOTH	12383	12383
6	13/16"ID 2"OD FLAT WASHER	77892	77892
7	KEY (.187 X .187 X 3/4 ) (one used for agitator shaft, one used for motor shaft)	12509	12509
8	3/4 BORE COUPLING BODY (includes set screws)	46145	46145
9	FLEXIBLE SPIDER	12141	12141
10	5/8 BORE COUPLING BODY(includes set screws)	46144	46144
11	KETTLE LEAD IN ASSY	48769	48769
12	BOTTOM COVER	67995	67995
13	1/4-20 X 3/4 GRADE 5 BOLT	74520	74520
14	1/4 FLAT WASHER STAINLESS	87261	87261
15	MOTOR MOUNT (bracket)	16708	16708
16	1/4-20 x 1 1/4 HEX CAP (fastens motor)	48571	48571
17	MOTOR SPACER	67207	67207
18	DRIVE MOTOR	82085B	82085B
19	8-32 X 3/8 SLT. HWH M/S	42044	42044
20	CABLE CLAMP	87219	87219
21	STRAIN RELIEF (Plastic Strain Relief on cord end to Control Box)	76026	76026

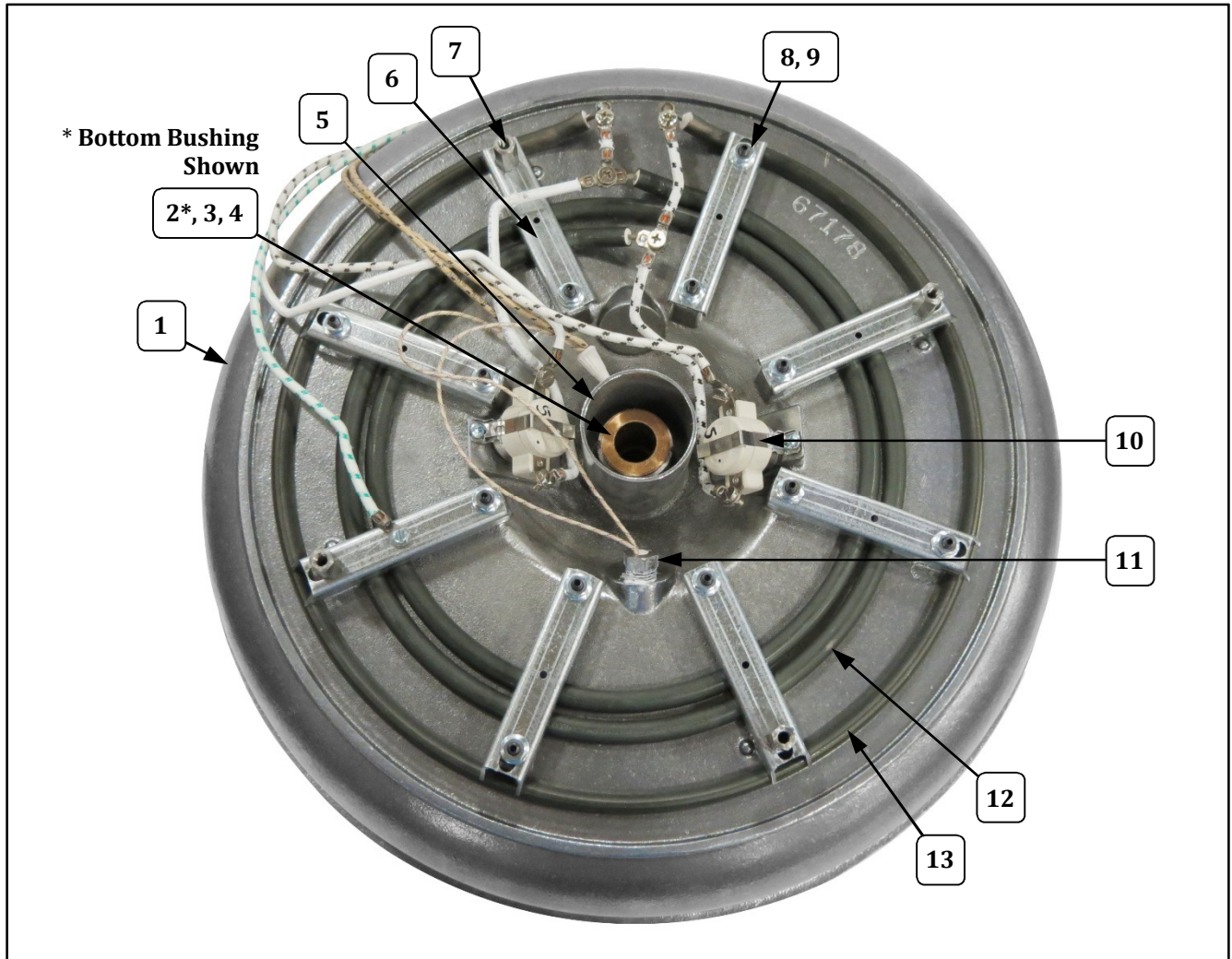


## Kettle Bottom Plate/Motor Mount – Parts Breakdown

Item	Part Description	Part No.	
		2174DEL 2174DER	2175DEL 2175DER
1	KETTLE ASSY (includes Shaft, Hub Seal Assy, Retaining Ring and Drum Seal; also see Kettle Bottom and Kettle Element View sections for itemized parts breakdown).	68007F	68015F
2	KETTLE REST BUMPER	83111	83111
3	KETTLE REST (metal rest/holds bumper)	83113	83113
4	1/4-20 X 1/2 P/H PHIL (fastens Kettle Rest)	12471	12471
5	WASHER 1/4 INTERNAL TOOTH	12383	12383
6	13/16"ID 2"OD FLAT WASHER	77892	77892
7	KEY (.187 X .187 X 3/4 ) (one used for agitator shaft, one used for motor shaft)	12509	12509
8	3/4 BORE COUPLING BODY (includes set screws)	46145	46145
9	FLEXIBLE SPIDER	12141	12141
10	5/8 BORE COUPLING BODY(includes set screws)	46144	46144
11	KETTLE LEAD IN ASSY	48769	48769
12	BOTTOM COVER	67995	67995
13	1/4-20 X 3/4 GRADE 5 BOLT	74520	74520
14	1/4 FLAT WASHER STAINLESS	87261	87261
15	MOTOR MOUNT (bracket)	16708	16708
16	1/4-20 x 1 1/4 HEX CAP (fastens motor)	48571	48571
17	MOTOR SPACER	67207	67207
18	DRIVE MOTOR	82085B	82085B
19	8-32 X 3/8 SLT. HWH M/S	42044	42044
20	CABLE CLAMP	87219	87219
21	STRAIN RELIEF (Plastic Strain Relief on cord end to Control Box)	76026	76026



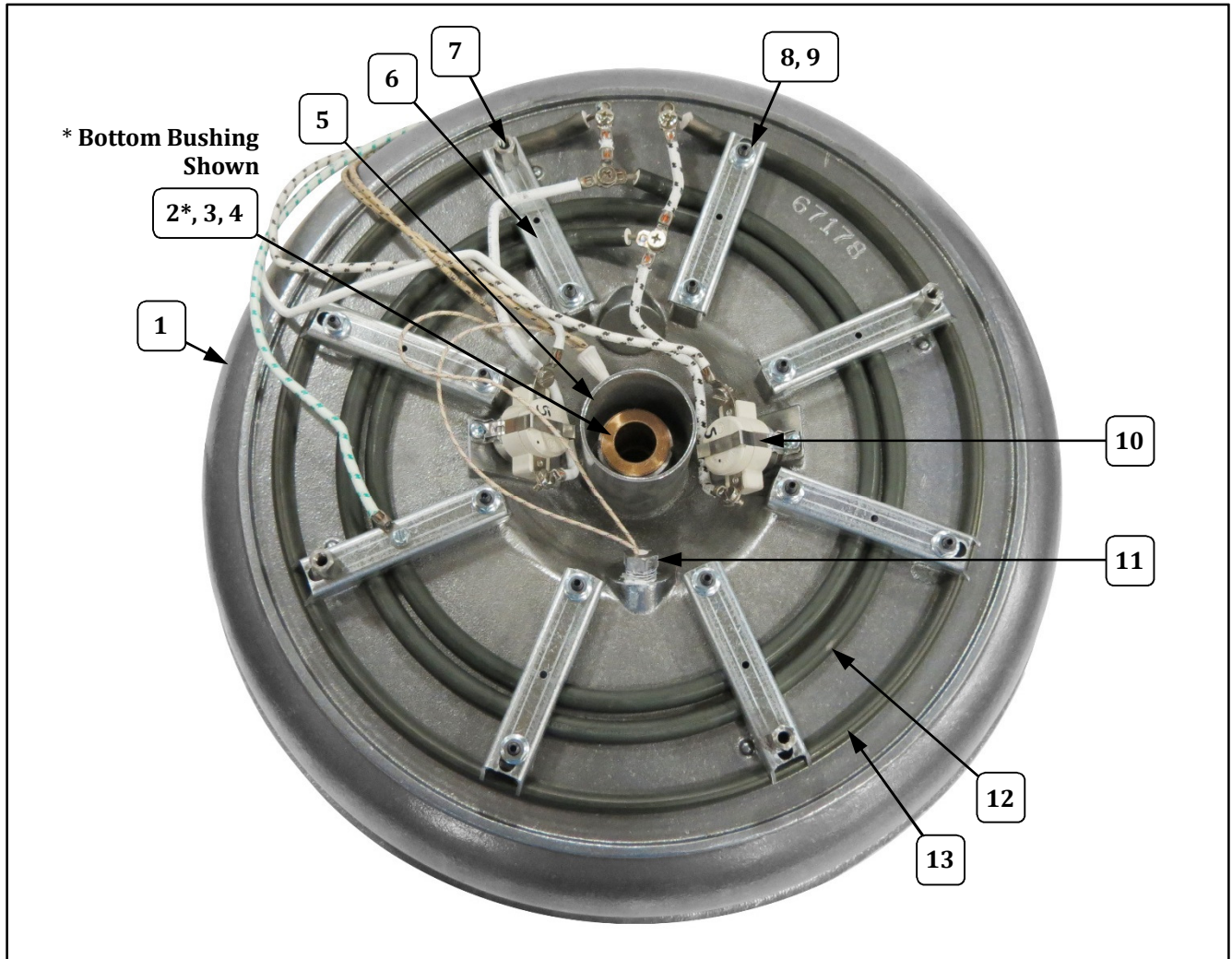
## Kettle Element View – 2174 Series



Item	Part Description	Part No.
		2174DEL 2174DER
1	KETTLE, CORN TREAT CENTER (includes bushings shown below)	46280
2	BUSHING, MIX BOWL (bottom bushing shown)	46065PMO
3	BUSHING, MIX BOWL (top bushing not shown; bushing is machined to fit o-ring listed below )	46065
4	O-RING BUSHING SEAL	46119
5	SHAFT COVER	12581
6	ELEMENT RETAINER BRKT	67174
7	STANDOFF 11/16 IN	12889
8	SET SCREW 10-24 X 1	46627
9	10-24 SERRATED LOCK NUT	49363
10	L-510 THERMOSTAT KETTLE (2 required)	82219
11	RTD HEAT SENSOR	46299
12	TUBULAR ELEMENT, 1500W	48800
13	TUBULAR ELEMENT, 275W	46439



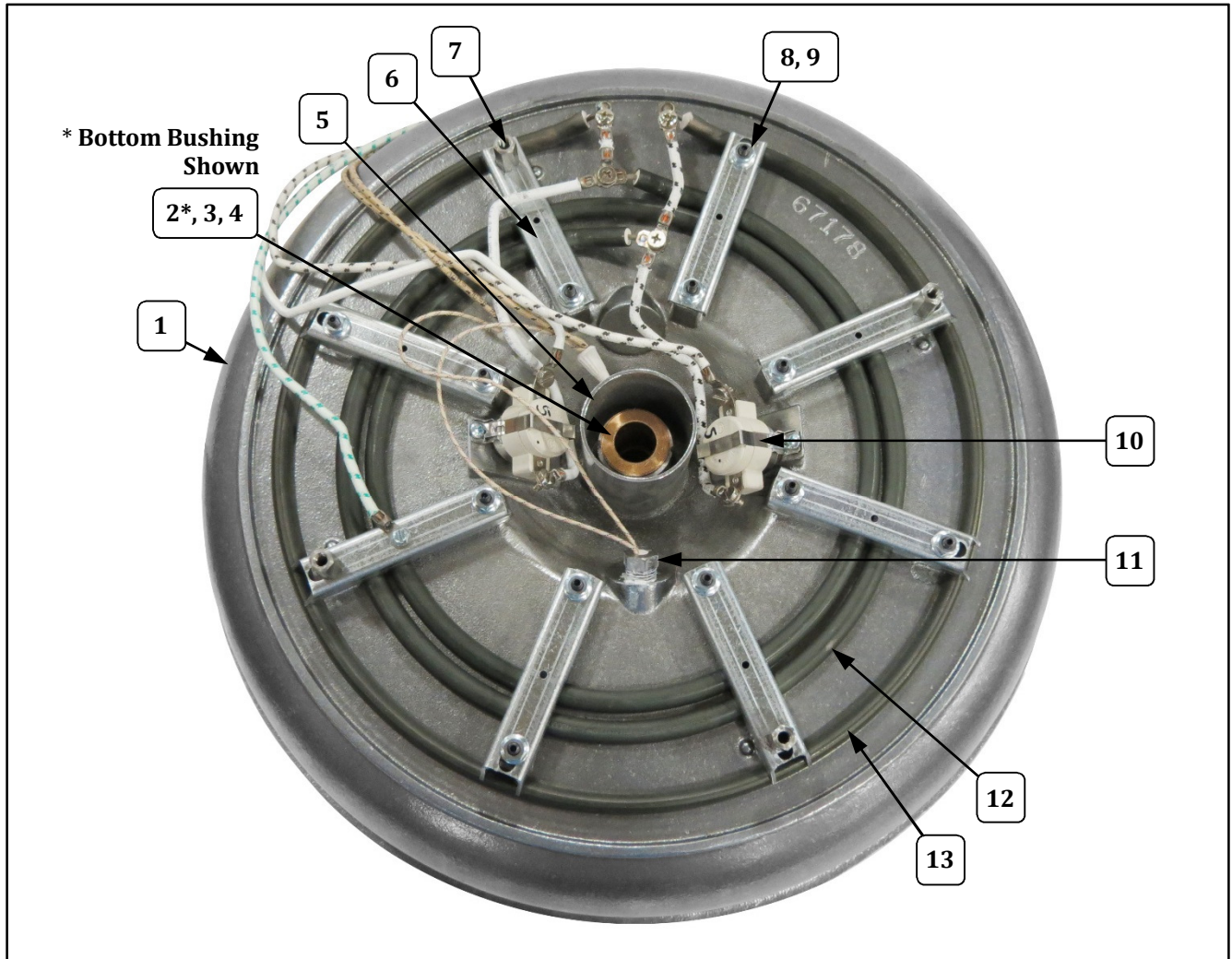
## Kettle Element View – 2174 Series



Item	Part Description	Part No.
		2174DEL 2174DER
1	KETTLE, CORN TREAT CENTER (includes bushings shown below)	46280
2	BUSHING, MIX BOWL (bottom bushing shown)	46065PMO
3	BUSHING, MIX BOWL (top bushing not shown; bushing is machined to fit o-ring listed below )	46065
4	O-RING BUSHING SEAL	46119
5	SHAFT COVER	12581
6	ELEMENT RETAINER BRKT	67174
7	STANDOFF 11/16 IN	12889
8	SET SCREW 10-24 X 1	46627
9	10-24 SERRATED LOCK NUT	49363
10	L-510 THERMOSTAT KETTLE (2 required)	82219
11	RTD HEAT SENSOR	46299
12	TUBULAR ELEMENT, 1500W	48800
13	TUBULAR ELEMENT, 275W	46439



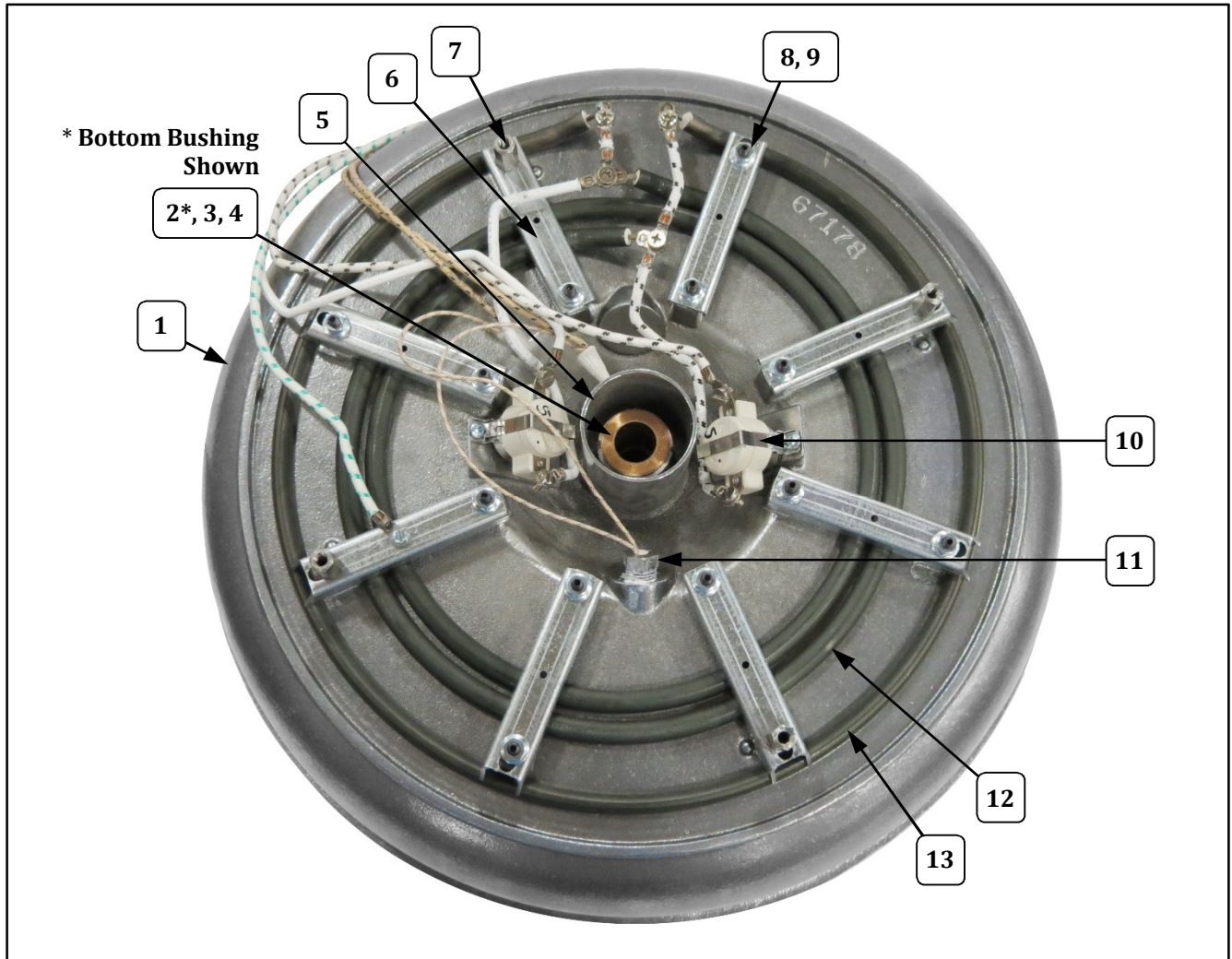
## Kettle Element View – 2174 Series



Item	Part Description	Part No.
		2174DEL 2174DER
1	KETTLE, CORN TREAT CENTER (includes bushings shown below)	46280
2	BUSHING, MIX BOWL (bottom bushing shown)	46065PMO
3	BUSHING, MIX BOWL (top bushing not shown; bushing is machined to fit o-ring listed below )	46065
4	O-RING BUSHING SEAL	46119
5	SHAFT COVER	12581
6	ELEMENT RETAINER BRKT	67174
7	STANDOFF 11/16 IN	12889
8	SET SCREW 10-24 X 1	46627
9	10-24 SERRATED LOCK NUT	49363
10	L-510 THERMOSTAT KETTLE (2 required)	82219
11	RTD HEAT SENSOR	46299
12	TUBULAR ELEMENT, 1500W	48800
13	TUBULAR ELEMENT, 275W	46439



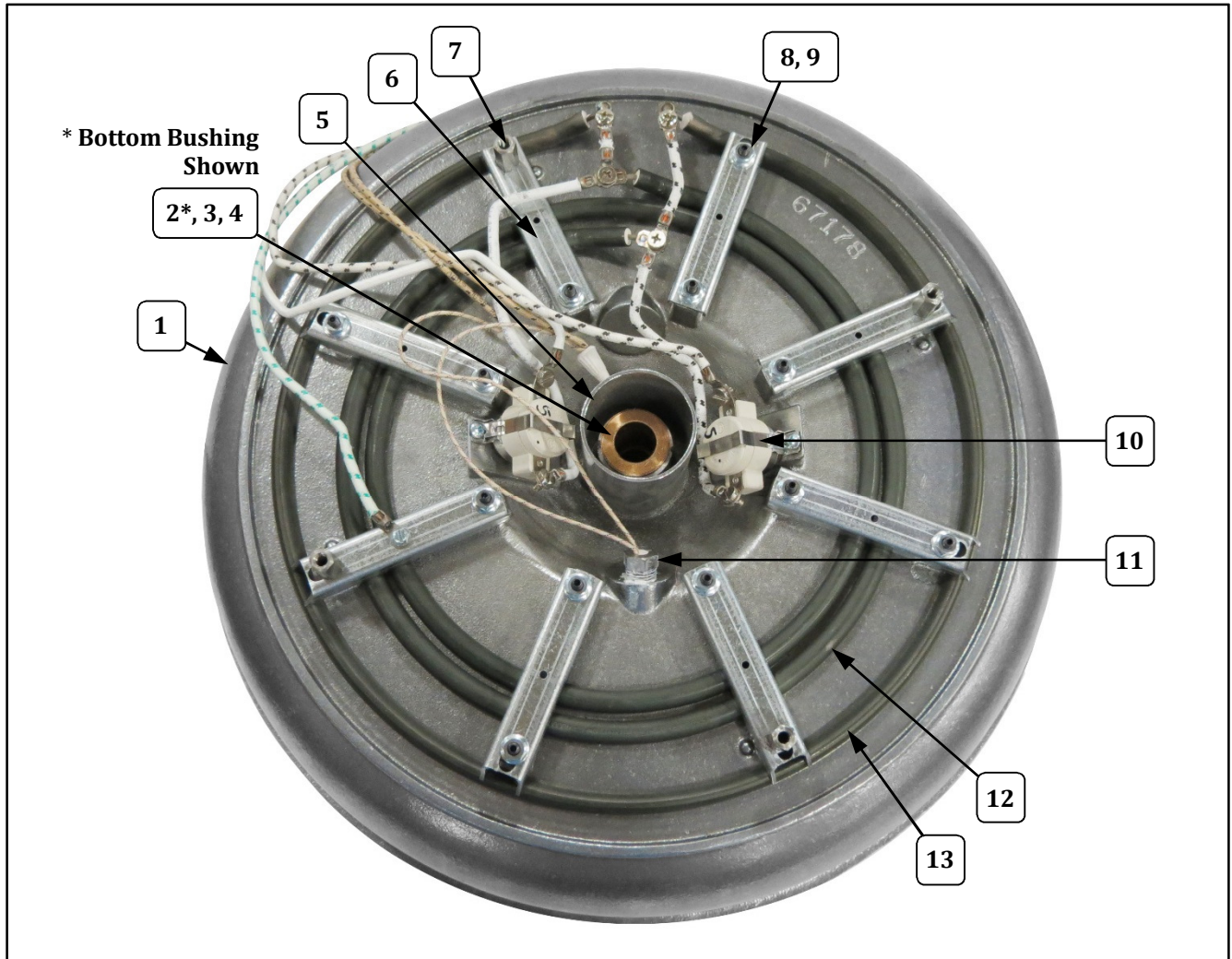
## Kettle Element View – 2174 Series



Item	Part Description	Part No.
		2174DEL 2174DER
1	KETTLE, CORN TREAT CENTER (includes bushings shown below)	46280
2	BUSHING, MIX BOWL (bottom bushing shown)	46065PMO
3	BUSHING, MIX BOWL (top bushing not shown; bushing is machined to fit o-ring listed below )	46065
4	O-RING BUSHING SEAL	46119
5	SHAFT COVER	12581
6	ELEMENT RETAINER BRKT	67174
7	STANDOFF 11/16 IN	12889
8	SET SCREW 10-24 X 1	46627
9	10-24 SERRATED LOCK NUT	49363
10	L-510 THERMOSTAT KETTLE (2 required)	82219
11	RTD HEAT SENSOR	46299
12	TUBULAR ELEMENT, 1500W	48800
13	TUBULAR ELEMENT, 275W	46439



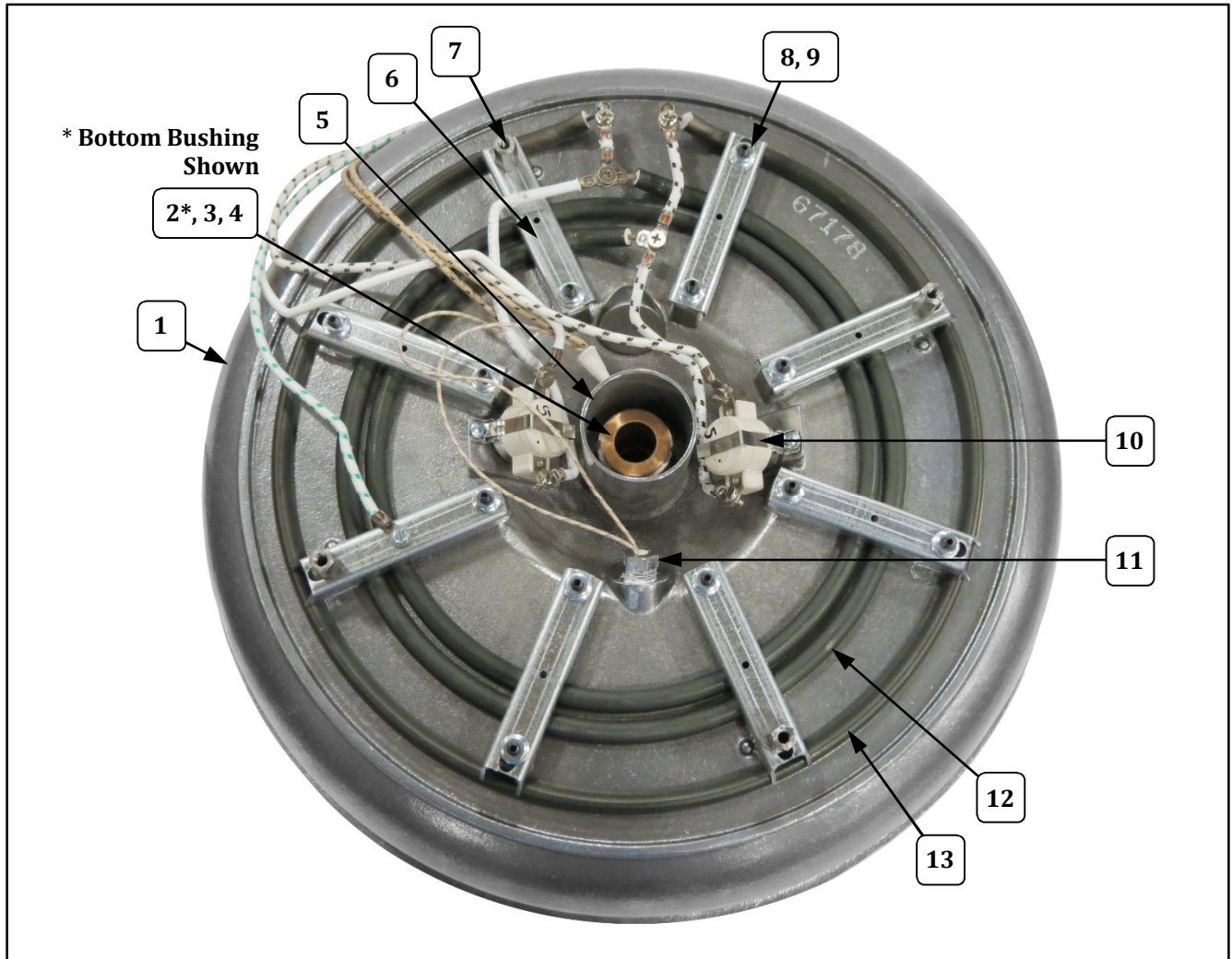
## Kettle Element View – 2174 Series



Item	Part Description	Part No.
		2174DEL 2174DER
1	KETTLE, CORN TREAT CENTER (includes bushings shown below)	46280
2	BUSHING, MIX BOWL (bottom bushing shown)	46065PMO
3	BUSHING, MIX BOWL (top bushing not shown; bushing is machined to fit o-ring listed below )	46065
4	O-RING BUSHING SEAL	46119
5	SHAFT COVER	12581
6	ELEMENT RETAINER BRKT	67174
7	STANDOFF 11/16 IN	12889
8	SET SCREW 10-24 X 1	46627
9	10-24 SERRATED LOCK NUT	49363
10	L-510 THERMOSTAT KETTLE (2 required)	82219
11	RTD HEAT SENSOR	46299
12	TUBULAR ELEMENT, 1500W	48800
13	TUBULAR ELEMENT, 275W	46439



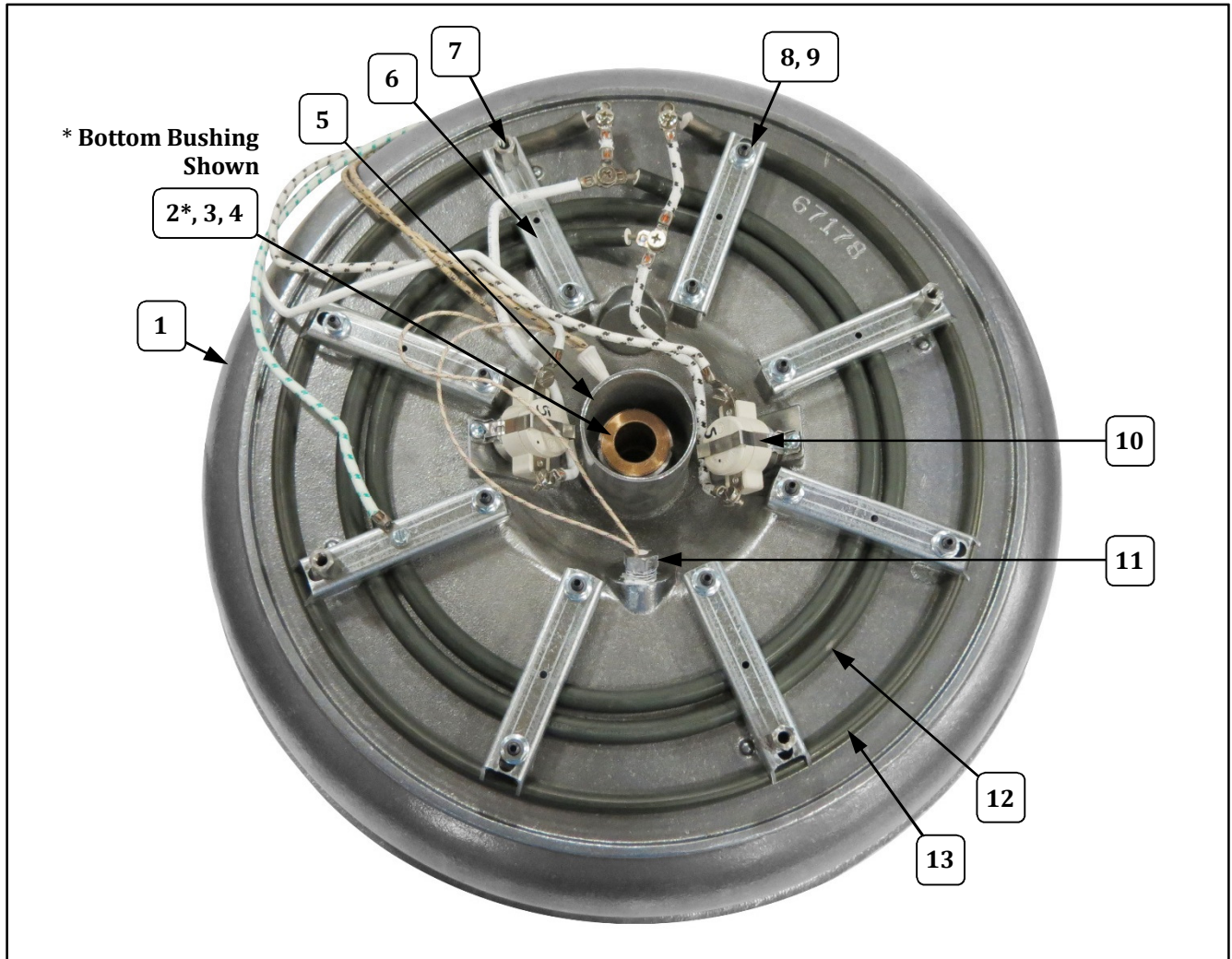
## Kettle Element View – 2174 Series



Item	Part Description	Part No.
		2174DEL 2174DER
1	KETTLE, CORN TREAT CENTER (includes bushings shown below)	46280
2	BUSHING, MIX BOWL (bottom bushing shown)	46065PMO
3	BUSHING, MIX BOWL (top bushing not shown; bushing is machined to fit o-ring listed below )	46065
4	O-RING BUSHING SEAL	46119
5	SHAFT COVER	12581
6	ELEMENT RETAINER BRKT	67174
7	STANDOFF 11/16 IN	12889
8	SET SCREW 10-24 X 1	46627
9	10-24 SERRATED LOCK NUT	49363
10	L-510 THERMOSTAT KETTLE (2 required)	82219
11	RTD HEAT SENSOR	46299
12	TUBULAR ELEMENT, 1500W	48800
13	TUBULAR ELEMENT, 275W	46439



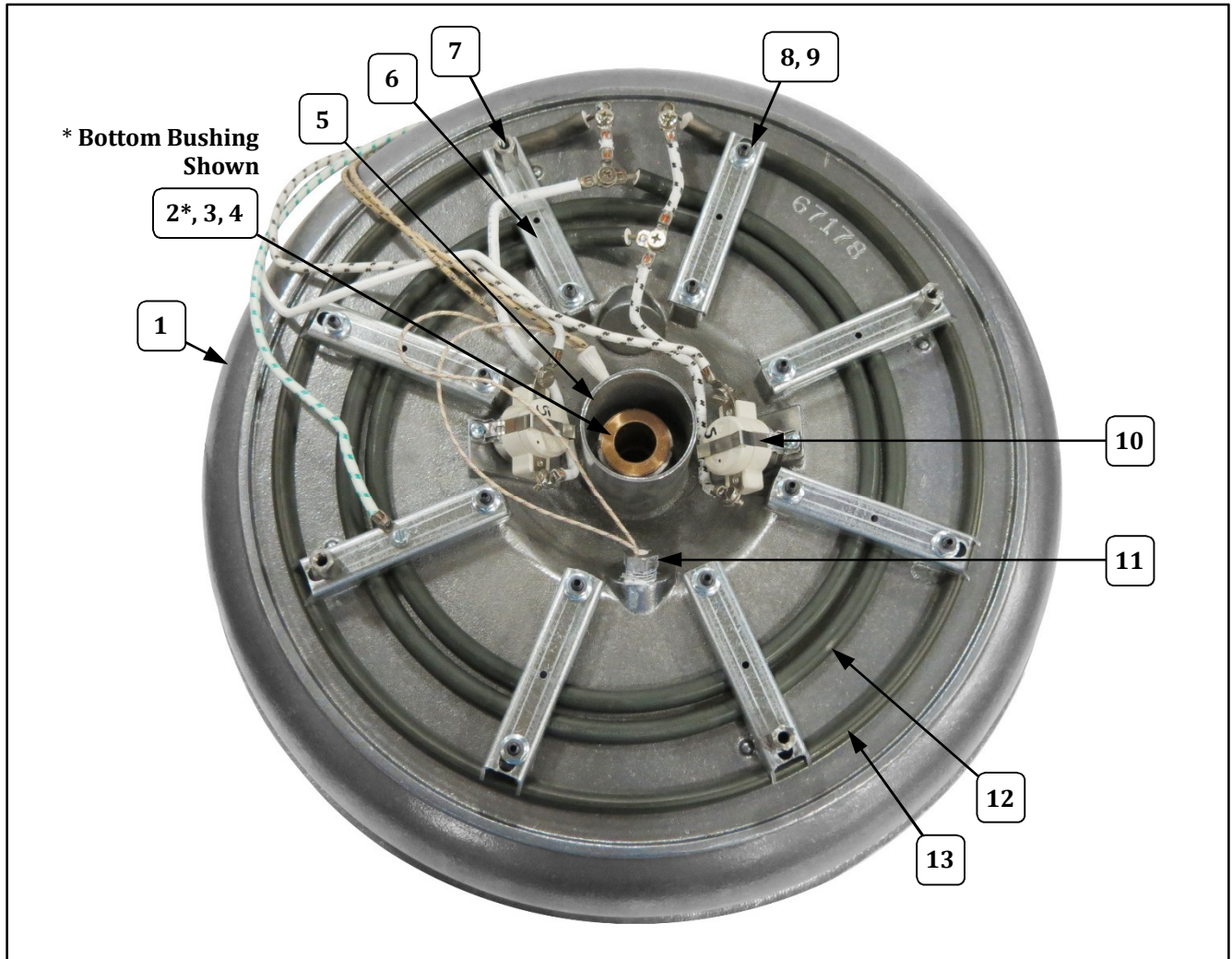
## Kettle Element View – 2174 Series



Item	Part Description	Part No.
		2174DEL 2174DER
1	KETTLE, CORN TREAT CENTER (includes bushings shown below)	46280
2	BUSHING, MIX BOWL (bottom bushing shown)	46065PMO
3	BUSHING, MIX BOWL (top bushing not shown; bushing is machined to fit o-ring listed below )	46065
4	O-RING BUSHING SEAL	46119
5	SHAFT COVER	12581
6	ELEMENT RETAINER BRKT	67174
7	STANDOFF 11/16 IN	12889
8	SET SCREW 10-24 X 1	46627
9	10-24 SERRATED LOCK NUT	49363
10	L-510 THERMOSTAT KETTLE (2 required)	82219
11	RTD HEAT SENSOR	46299
12	TUBULAR ELEMENT, 1500W	48800
13	TUBULAR ELEMENT, 275W	46439



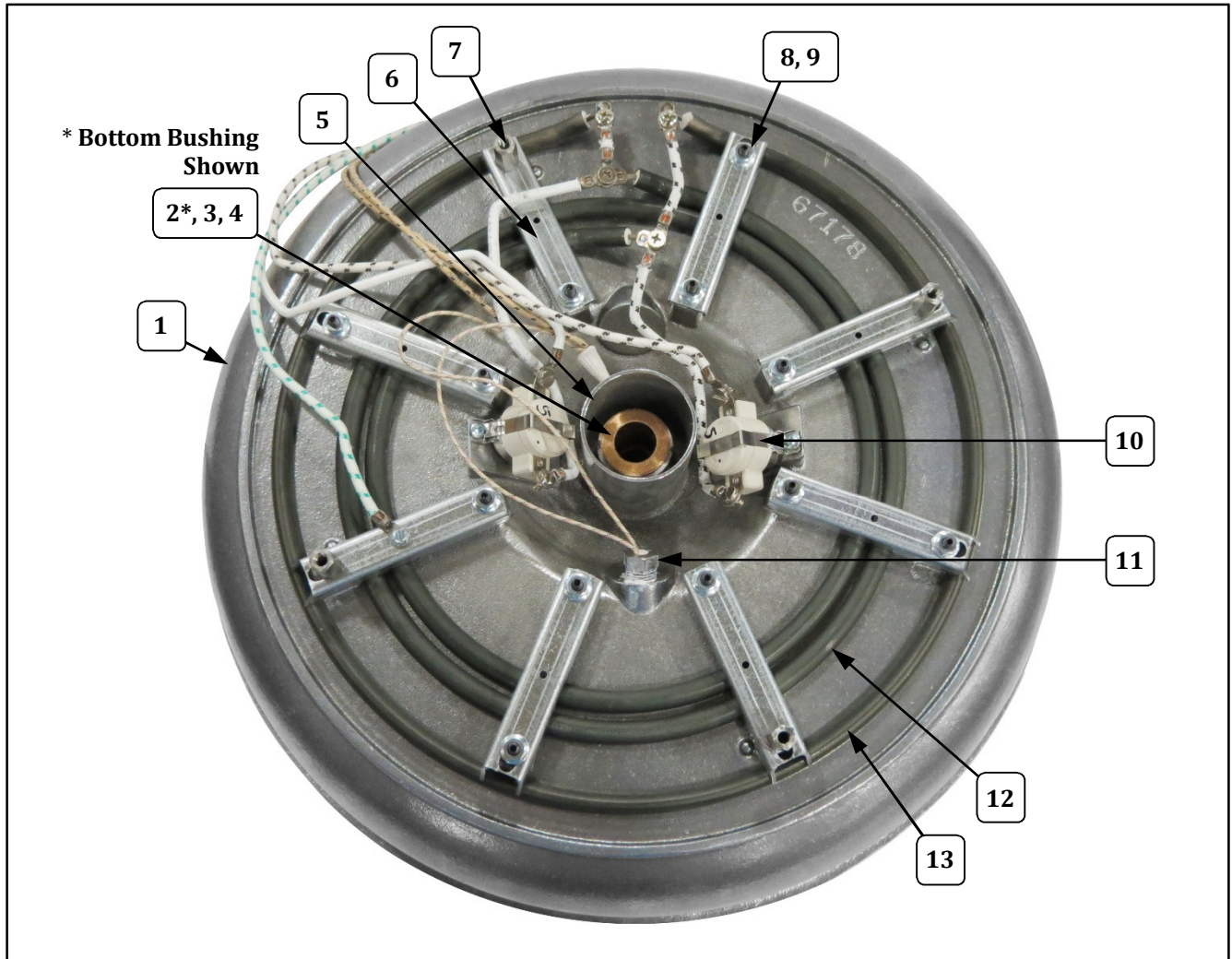
## Kettle Element View – 2174 Series



Item	Part Description	Part No.
		2174DEL 2174DER
1	KETTLE, CORN TREAT CENTER (includes bushings shown below)	46280
2	BUSHING, MIX BOWL (bottom bushing shown)	46065PMO
3	BUSHING, MIX BOWL (top bushing not shown; bushing is machined to fit o-ring listed below )	46065
4	O-RING BUSHING SEAL	46119
5	SHAFT COVER	12581
6	ELEMENT RETAINER BRKT	67174
7	STANDOFF 11/16 IN	12889
8	SET SCREW 10-24 X 1	46627
9	10-24 SERRATED LOCK NUT	49363
10	L-510 THERMOSTAT KETTLE (2 required)	82219
11	RTD HEAT SENSOR	46299
12	TUBULAR ELEMENT, 1500W	48800
13	TUBULAR ELEMENT, 275W	46439



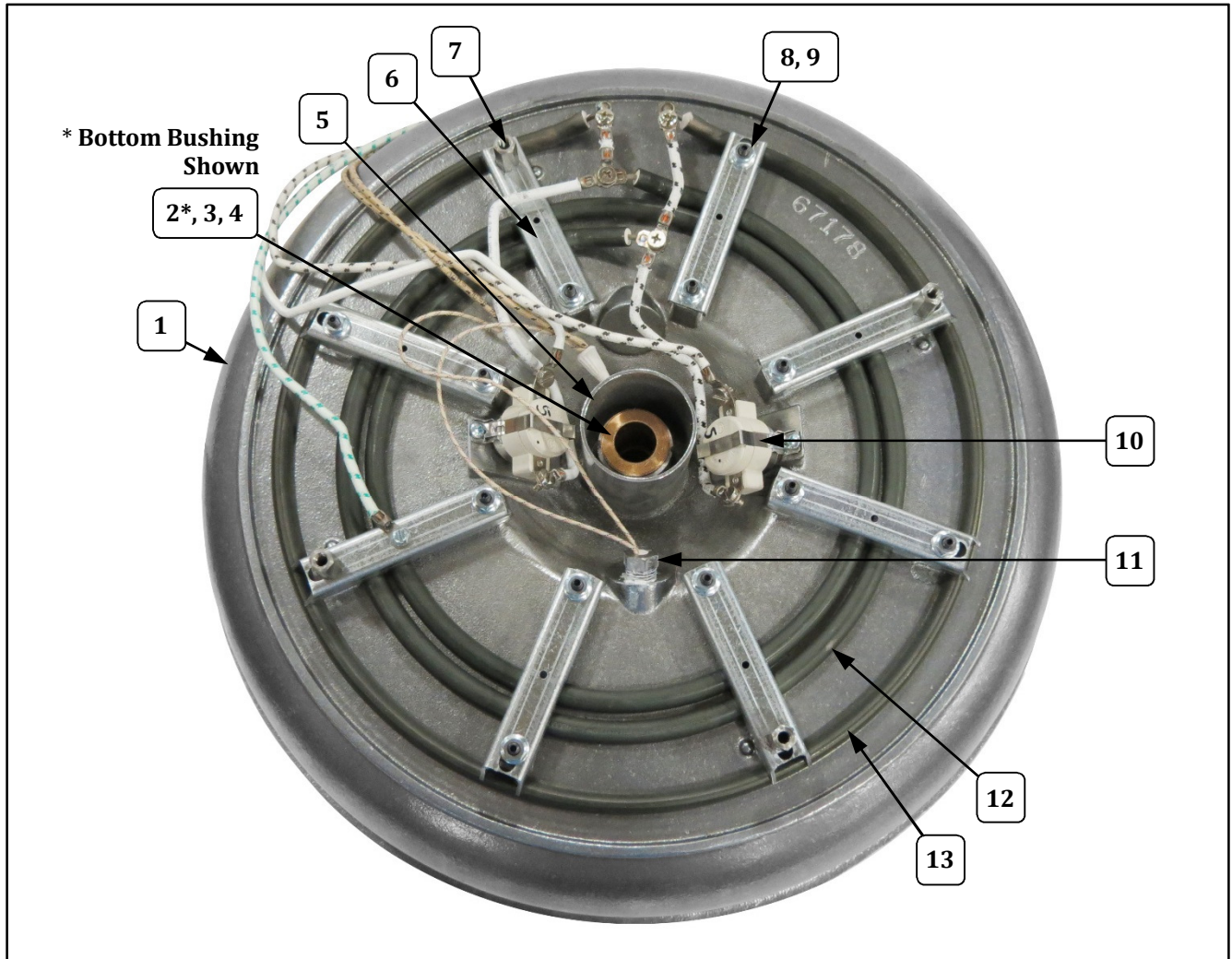
## Kettle Element View – 2174 Series



Item	Part Description	Part No.
		2174DEL 2174DER
1	KETTLE, CORN TREAT CENTER (includes bushings shown below)	46280
2	BUSHING, MIX BOWL (bottom bushing shown)	46065PMO
3	BUSHING, MIX BOWL (top bushing not shown; bushing is machined to fit o-ring listed below )	46065
4	O-RING BUSHING SEAL	46119
5	SHAFT COVER	12581
6	ELEMENT RETAINER BRKT	67174
7	STANDOFF 11/16 IN	12889
8	SET SCREW 10-24 X 1	46627
9	10-24 SERRATED LOCK NUT	49363
10	L-510 THERMOSTAT KETTLE (2 required)	82219
11	RTD HEAT SENSOR	46299
12	TUBULAR ELEMENT, 1500W	48800
13	TUBULAR ELEMENT, 275W	46439



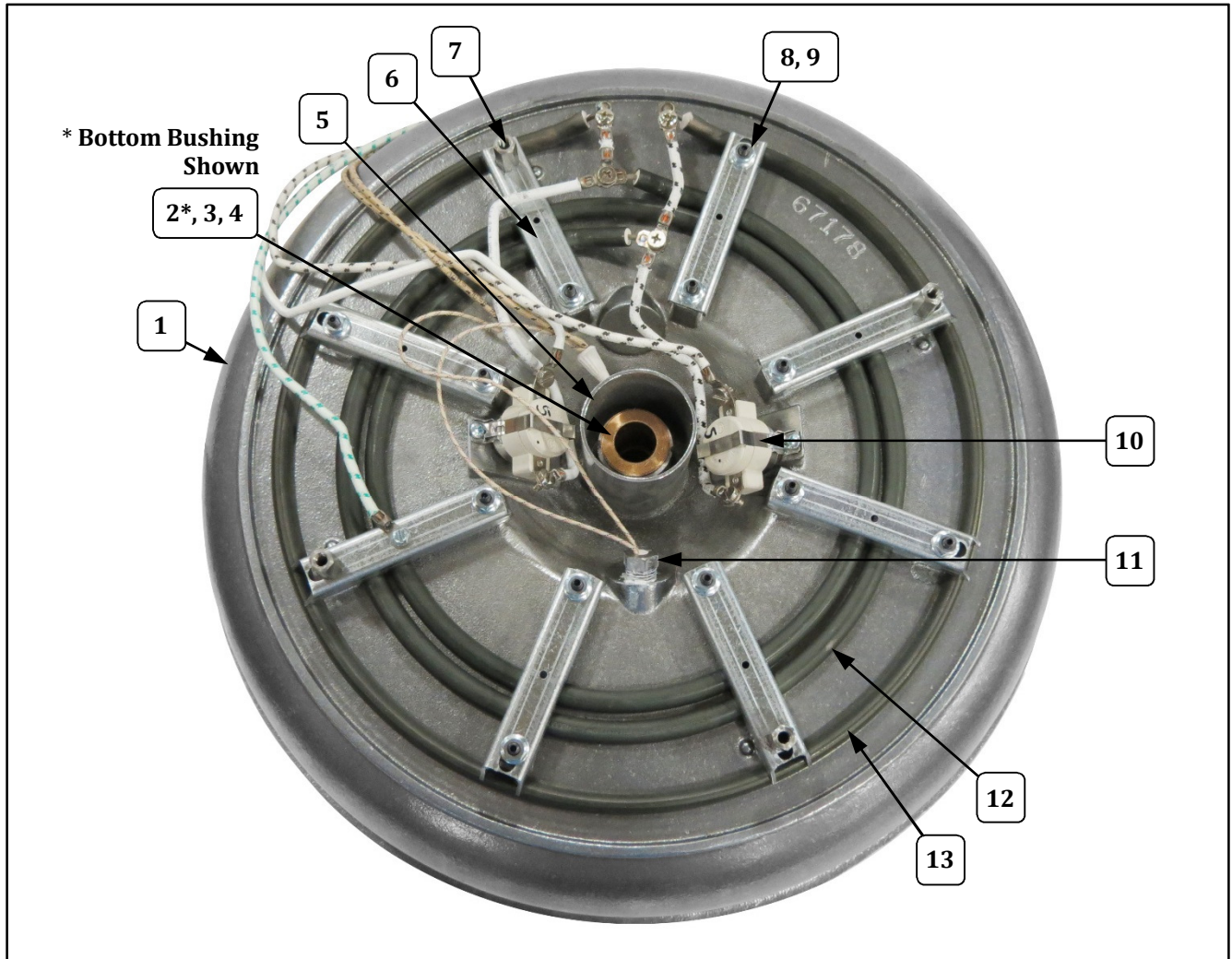
## Kettle Element View – 2174 Series



Item	Part Description	Part No.
		2174DEL 2174DER
1	KETTLE, CORN TREAT CENTER (includes bushings shown below)	46280
2	BUSHING, MIX BOWL (bottom bushing shown)	46065PMO
3	BUSHING, MIX BOWL (top bushing not shown; bushing is machined to fit o-ring listed below )	46065
4	O-RING BUSHING SEAL	46119
5	SHAFT COVER	12581
6	ELEMENT RETAINER BRKT	67174
7	STANDOFF 11/16 IN	12889
8	SET SCREW 10-24 X 1	46627
9	10-24 SERRATED LOCK NUT	49363
10	L-510 THERMOSTAT KETTLE (2 required)	82219
11	RTD HEAT SENSOR	46299
12	TUBULAR ELEMENT, 1500W	48800
13	TUBULAR ELEMENT, 275W	46439



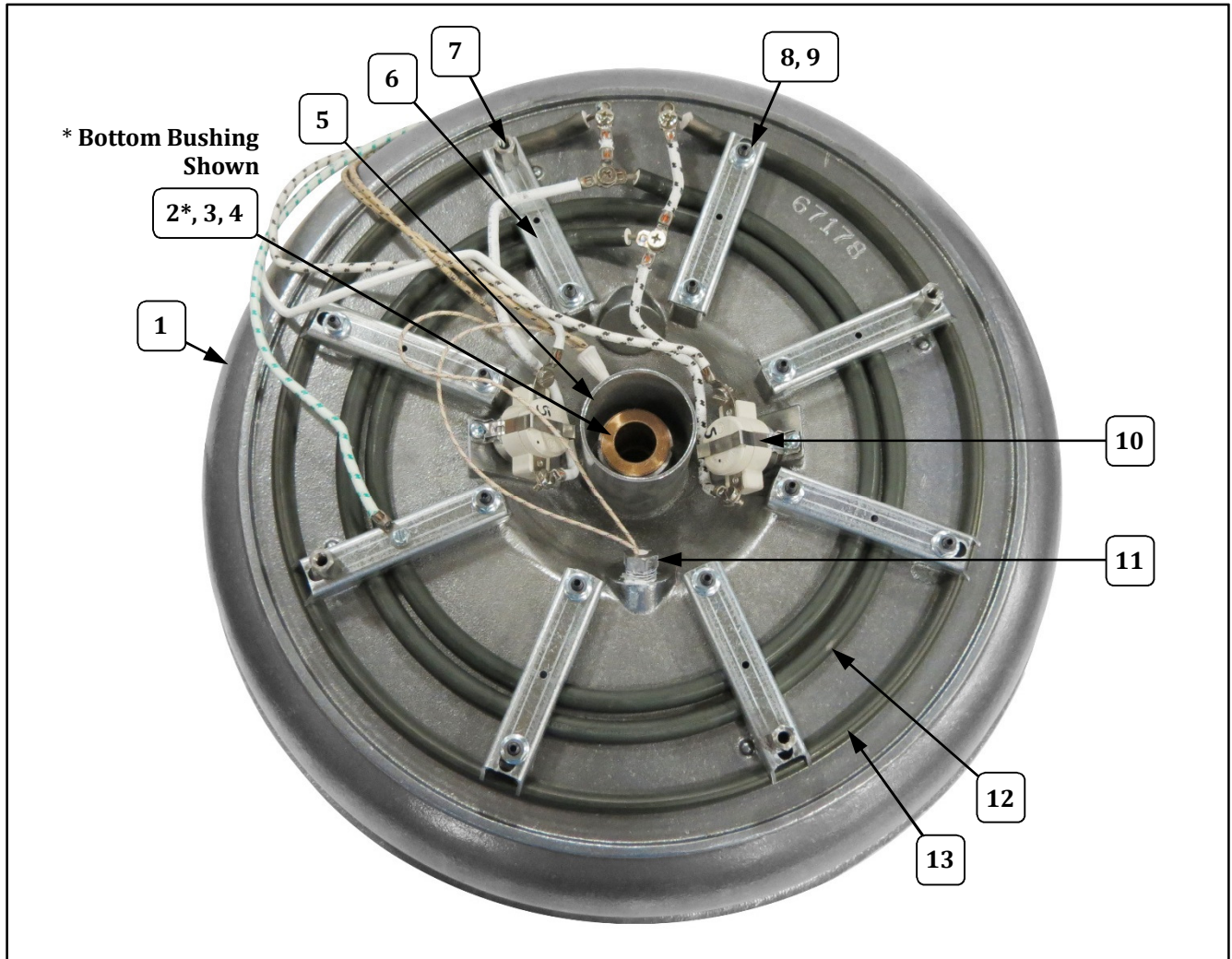
## Kettle Element View – 2174 Series



Item	Part Description	Part No.
		2174DEL 2174DER
1	KETTLE, CORN TREAT CENTER (includes bushings shown below)	46280
2	BUSHING, MIX BOWL (bottom bushing shown)	46065PMO
3	BUSHING, MIX BOWL (top bushing not shown; bushing is machined to fit o-ring listed below )	46065
4	O-RING BUSHING SEAL	46119
5	SHAFT COVER	12581
6	ELEMENT RETAINER BRKT	67174
7	STANDOFF 11/16 IN	12889
8	SET SCREW 10-24 X 1	46627
9	10-24 SERRATED LOCK NUT	49363
10	L-510 THERMOSTAT KETTLE (2 required)	82219
11	RTD HEAT SENSOR	46299
12	TUBULAR ELEMENT, 1500W	48800
13	TUBULAR ELEMENT, 275W	46439



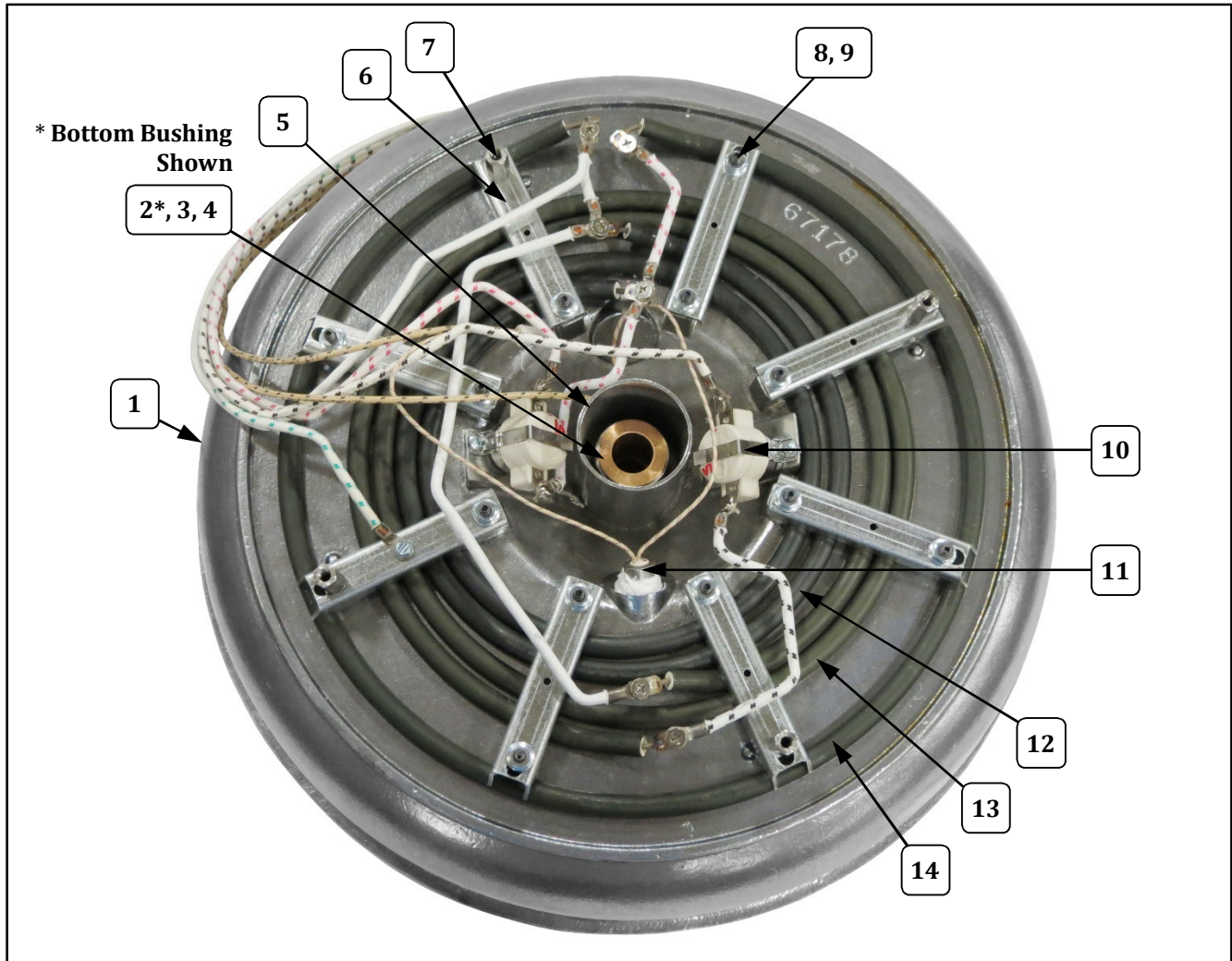
## Kettle Element View – 2174 Series



Item	Part Description	Part No.
		2174DEL 2174DER
1	KETTLE, CORN TREAT CENTER (includes bushings shown below)	46280
2	BUSHING, MIX BOWL (bottom bushing shown)	46065PMO
3	BUSHING, MIX BOWL (top bushing not shown; bushing is machined to fit o-ring listed below )	46065
4	O-RING BUSHING SEAL	46119
5	SHAFT COVER	12581
6	ELEMENT RETAINER BRKT	67174
7	STANDOFF 11/16 IN	12889
8	SET SCREW 10-24 X 1	46627
9	10-24 SERRATED LOCK NUT	49363
10	L-510 THERMOSTAT KETTLE (2 required)	82219
11	RTD HEAT SENSOR	46299
12	TUBULAR ELEMENT, 1500W	48800
13	TUBULAR ELEMENT, 275W	46439



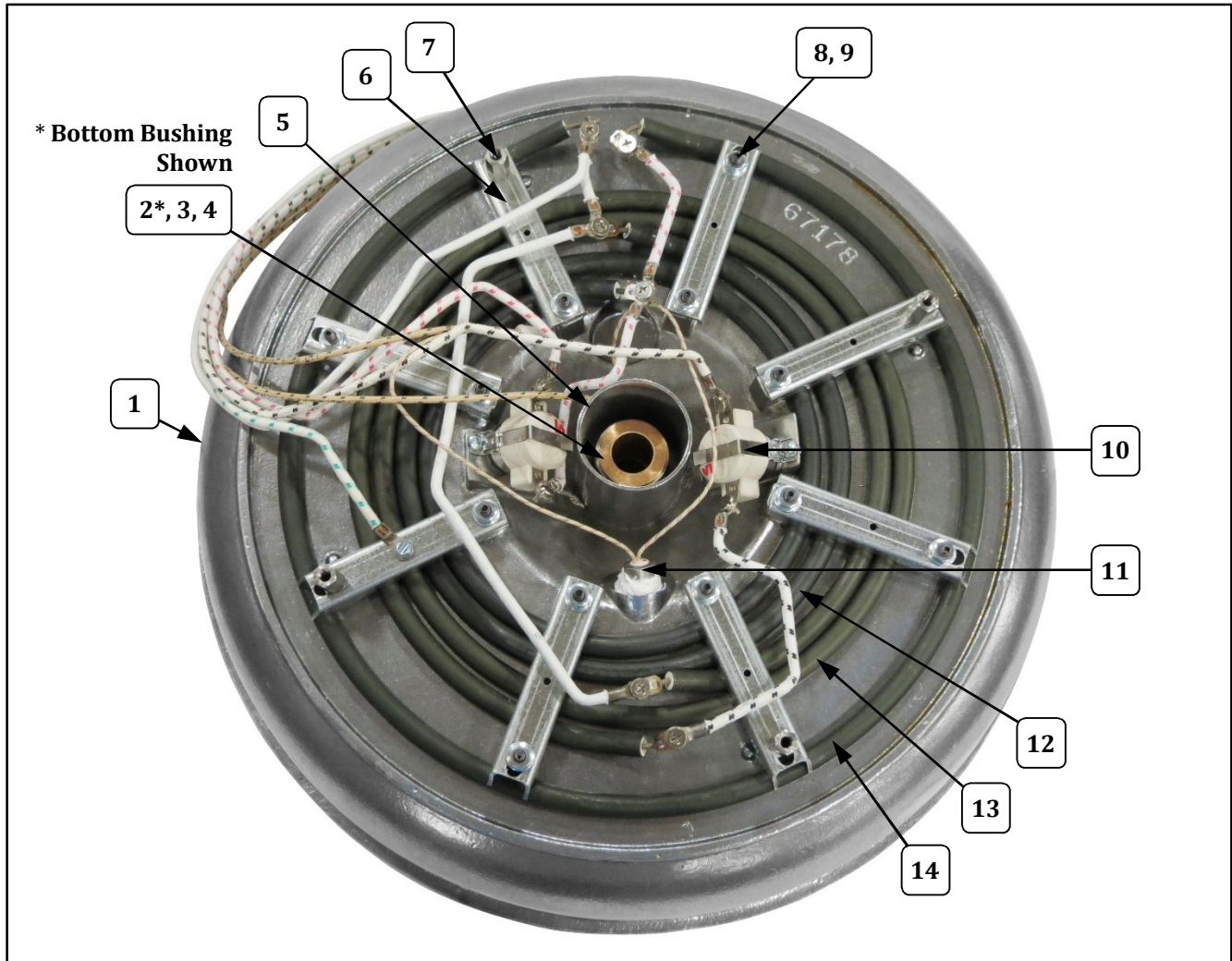
## Kettle Element View – 2175 Series



Item	Part Description	Part No.
		2175DER 2175DER
1	KETTLE, CORN TREAT CENTER (includes bushings shown below)	46280
2	BUSHING, MIX BOWL (bottom bushing shown)	46065PMO
3	BUSHING, MIX BOWL (top bushing not shown; bushing is machined to fit o-ring listed below )	46065
4	O-RING BUSHING SEAL	46119
5	SHAFT COVER	12581
6	ELEMENT RETAINER BRKT	67174
7	STANDOFF 11/16 IN	12889
8	SET SCREW 10-24 X 1	46627
9	10-24 SERRATED LOCK NUT	49363
10	L-510 THERMOSTAT KETTLE (2 required)	82219
11	RTD HEAT SENSOR	46299
12	TUBULAR ELEMENT, 720W	55279
13	TUBULAR ELEMENT, 1500W	48800
14	HEAT ELEMENT 120V 1000W	41536



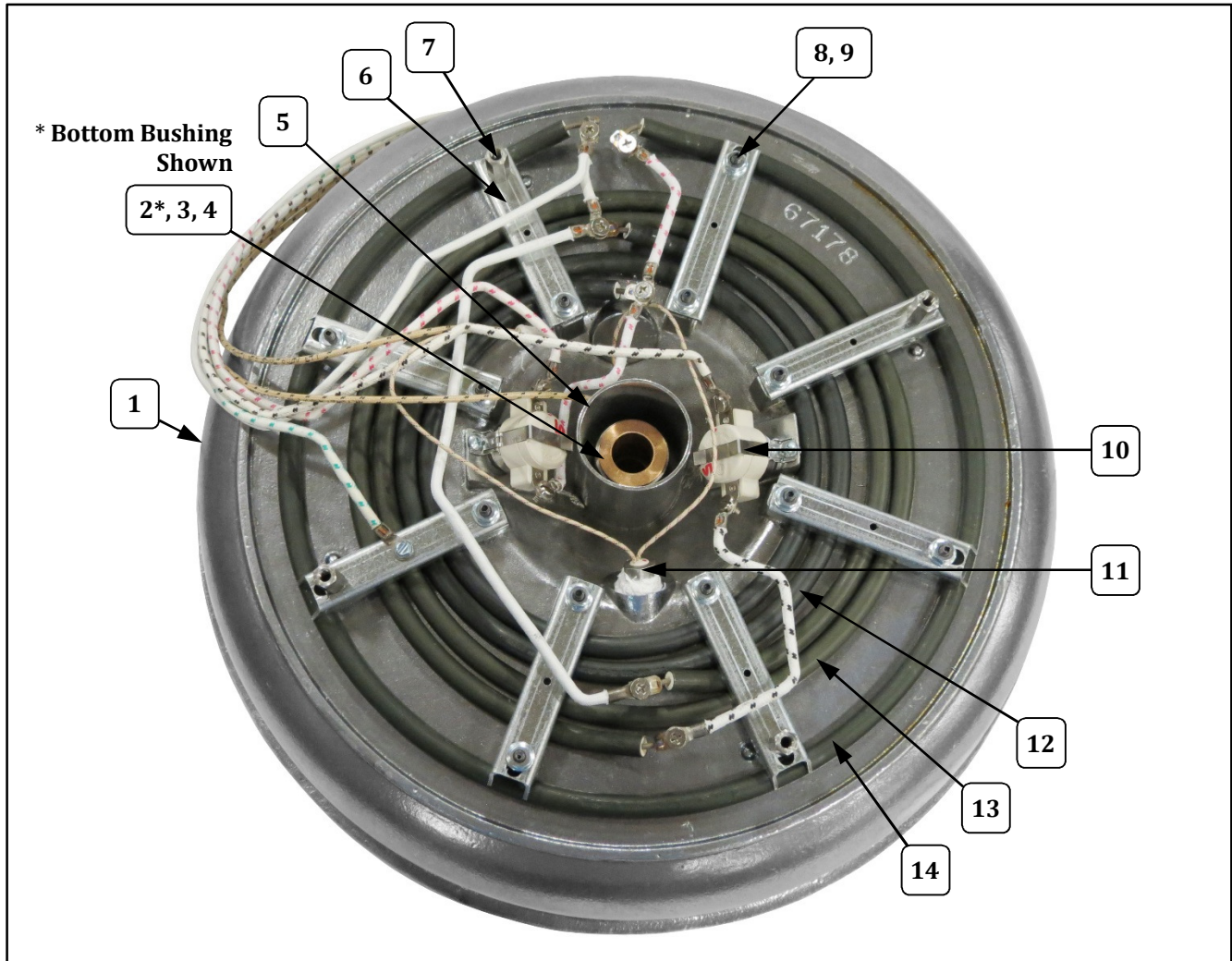
## Kettle Element View – 2175 Series



Item	Part Description	Part No.
		2175DER 2175DER
1	KETTLE, CORN TREAT CENTER (includes bushings shown below)	46280
2	BUSHING, MIX BOWL (bottom bushing shown)	46065PMO
3	BUSHING, MIX BOWL (top bushing not shown; bushing is machined to fit o-ring listed below )	46065
4	O-RING BUSHING SEAL	46119
5	SHAFT COVER	12581
6	ELEMENT RETAINER BRKT	67174
7	STANDOFF 11/16 IN	12889
8	SET SCREW 10-24 X 1	46627
9	10-24 SERRATED LOCK NUT	49363
10	L-510 THERMOSTAT KETTLE (2 required)	82219
11	RTD HEAT SENSOR	46299
12	TUBULAR ELEMENT, 720W	55279
13	TUBULAR ELEMENT, 1500W	48800
14	HEAT ELEMENT 120V 1000W	41536



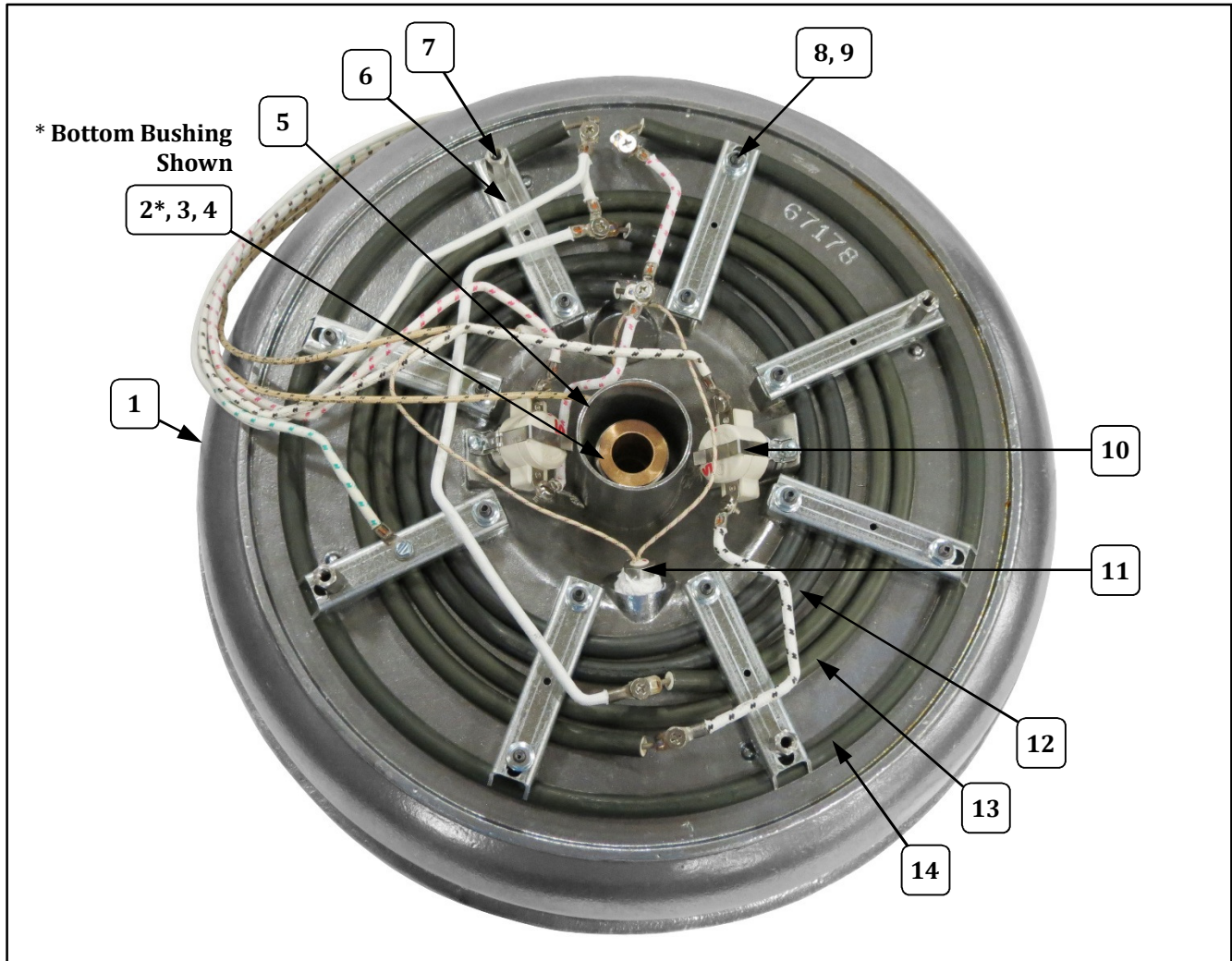
## Kettle Element View – 2175 Series



Item	Part Description	Part No.
		2175DER 2175DER
1	KETTLE, CORN TREAT CENTER (includes bushings shown below)	46280
2	BUSHING, MIX BOWL (bottom bushing shown)	46065PMO
3	BUSHING, MIX BOWL (top bushing not shown; bushing is machined to fit o-ring listed below )	46065
4	O-RING BUSHING SEAL	46119
5	SHAFT COVER	12581
6	ELEMENT RETAINER BRKT	67174
7	STANDOFF 11/16 IN	12889
8	SET SCREW 10-24 X 1	46627
9	10-24 SERRATED LOCK NUT	49363
10	L-510 THERMOSTAT KETTLE (2 required)	82219
11	RTD HEAT SENSOR	46299
12	TUBULAR ELEMENT, 720W	55279
13	TUBULAR ELEMENT, 1500W	48800
14	HEAT ELEMENT 120V 1000W	41536



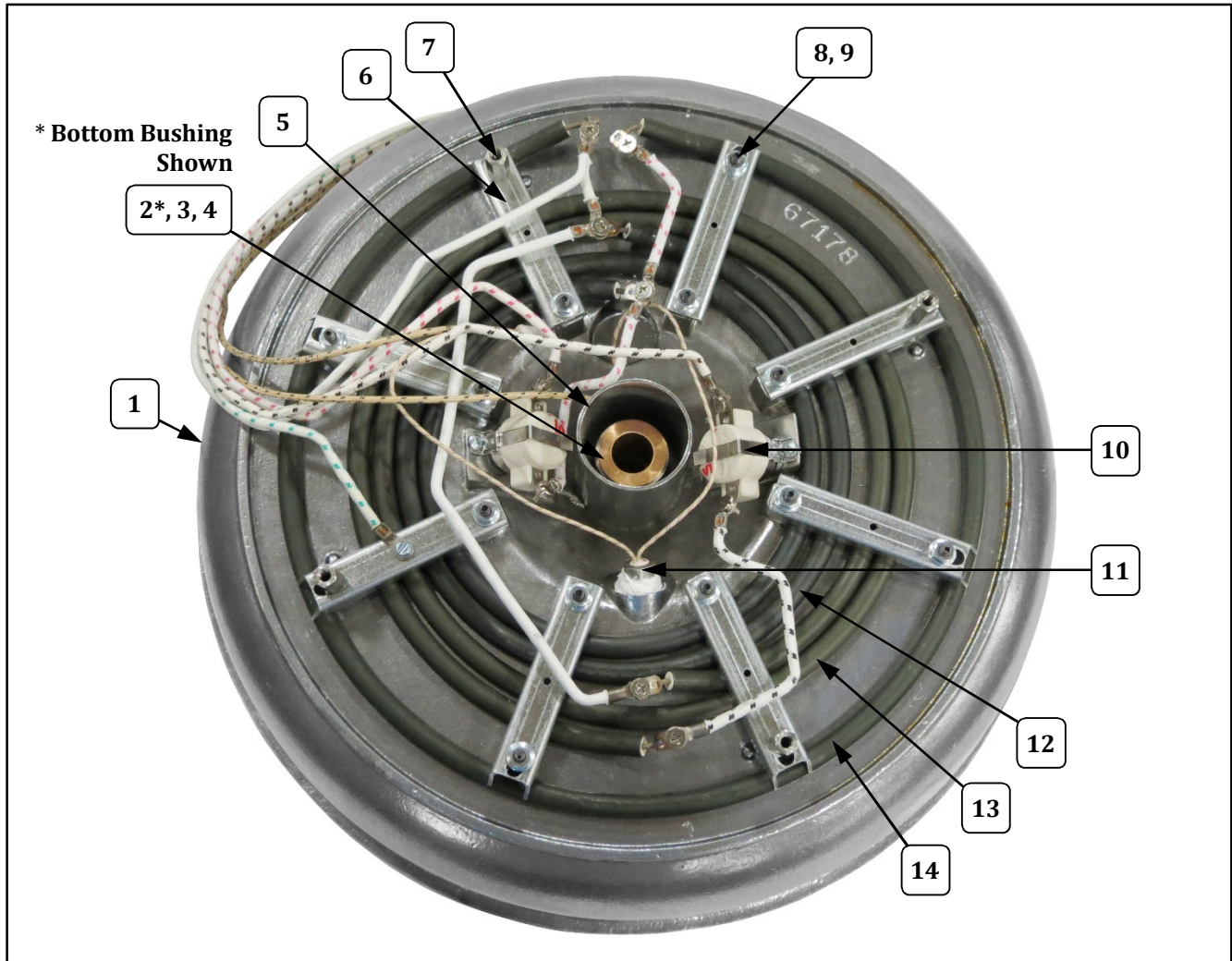
## Kettle Element View – 2175 Series



Item	Part Description	Part No.
		2175DER 2175DER
1	KETTLE, CORN TREAT CENTER (includes bushings shown below)	46280
2	BUSHING, MIX BOWL (bottom bushing shown)	46065PMO
3	BUSHING, MIX BOWL (top bushing not shown; bushing is machined to fit o-ring listed below )	46065
4	O-RING BUSHING SEAL	46119
5	SHAFT COVER	12581
6	ELEMENT RETAINER BRKT	67174
7	STANDOFF 11/16 IN	12889
8	SET SCREW 10-24 X 1	46627
9	10-24 SERRATED LOCK NUT	49363
10	L-510 THERMOSTAT KETTLE (2 required)	82219
11	RTD HEAT SENSOR	46299
12	TUBULAR ELEMENT, 720W	55279
13	TUBULAR ELEMENT, 1500W	48800
14	HEAT ELEMENT 120V 1000W	41536



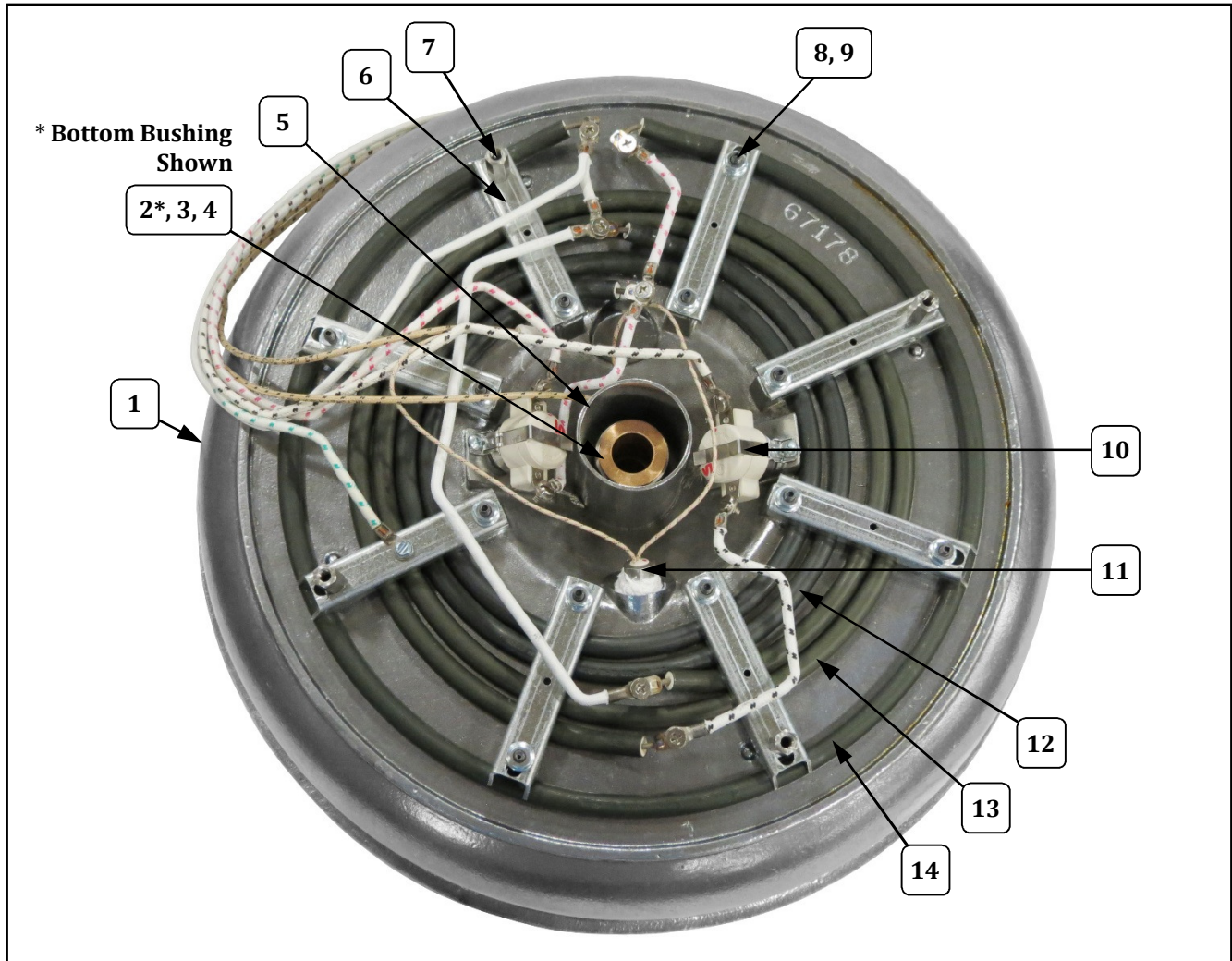
## Kettle Element View – 2175 Series



Item	Part Description	Part No.
		2175DER 2175DER
1	KETTLE, CORN TREAT CENTER (includes bushings shown below)	46280
2	BUSHING, MIX BOWL (bottom bushing shown)	46065PMO
3	BUSHING, MIX BOWL (top bushing not shown; bushing is machined to fit o-ring listed below )	46065
4	O-RING BUSHING SEAL	46119
5	SHAFT COVER	12581
6	ELEMENT RETAINER BRKT	67174
7	STANDOFF 11/16 IN	12889
8	SET SCREW 10-24 X 1	46627
9	10-24 SERRATED LOCK NUT	49363
10	L-510 THERMOSTAT KETTLE (2 required)	82219
11	RTD HEAT SENSOR	46299
12	TUBULAR ELEMENT, 720W	55279
13	TUBULAR ELEMENT, 1500W	48800
14	HEAT ELEMENT 120V 1000W	41536



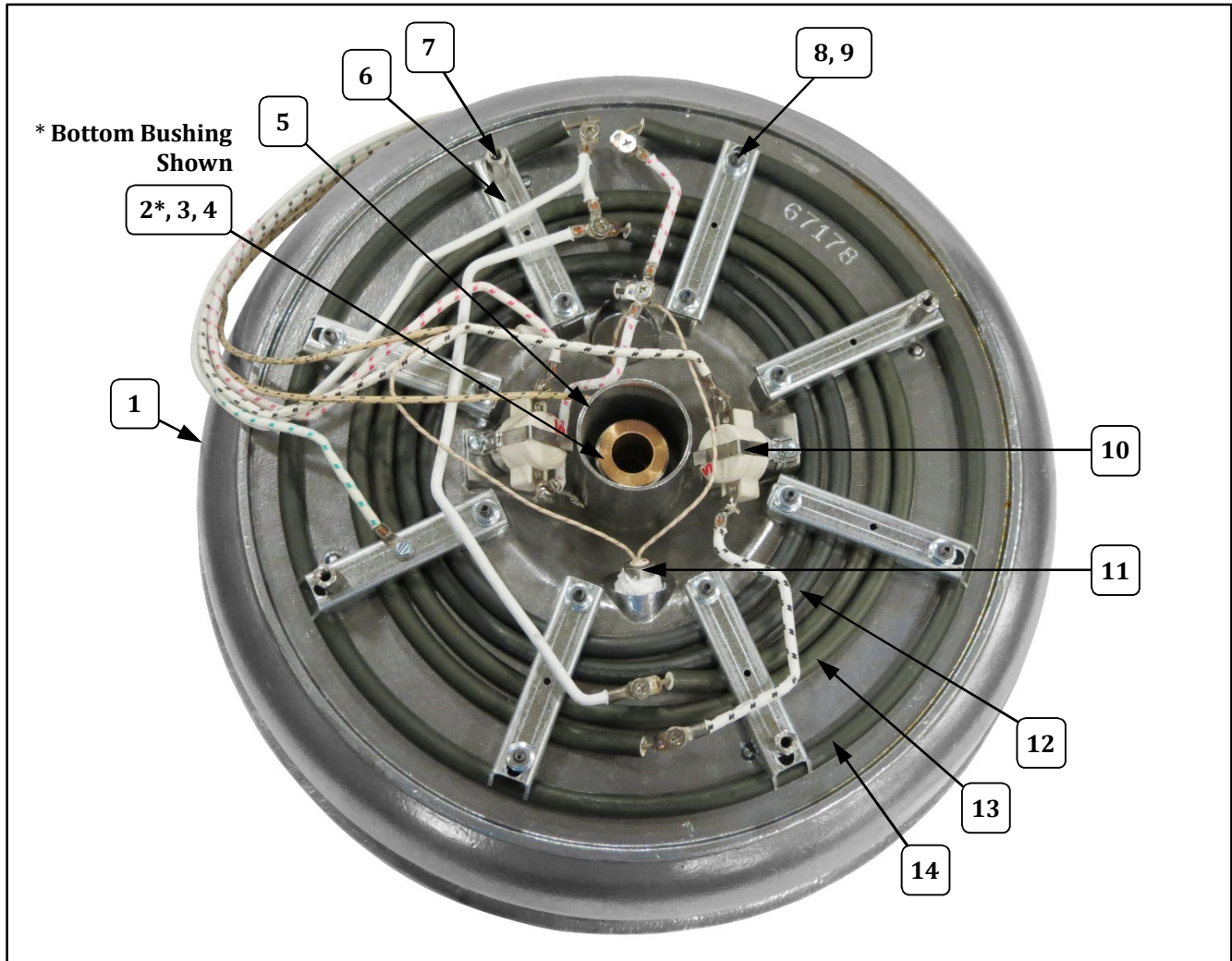
## Kettle Element View – 2175 Series



Item	Part Description	Part No.
		2175DER 2175DER
1	KETTLE, CORN TREAT CENTER (includes bushings shown below)	46280
2	BUSHING, MIX BOWL (bottom bushing shown)	46065PMO
3	BUSHING, MIX BOWL (top bushing not shown; bushing is machined to fit o-ring listed below )	46065
4	O-RING BUSHING SEAL	46119
5	SHAFT COVER	12581
6	ELEMENT RETAINER BRKT	67174
7	STANDOFF 11/16 IN	12889
8	SET SCREW 10-24 X 1	46627
9	10-24 SERRATED LOCK NUT	49363
10	L-510 THERMOSTAT KETTLE (2 required)	82219
11	RTD HEAT SENSOR	46299
12	TUBULAR ELEMENT, 720W	55279
13	TUBULAR ELEMENT, 1500W	48800
14	HEAT ELEMENT 120V 1000W	41536



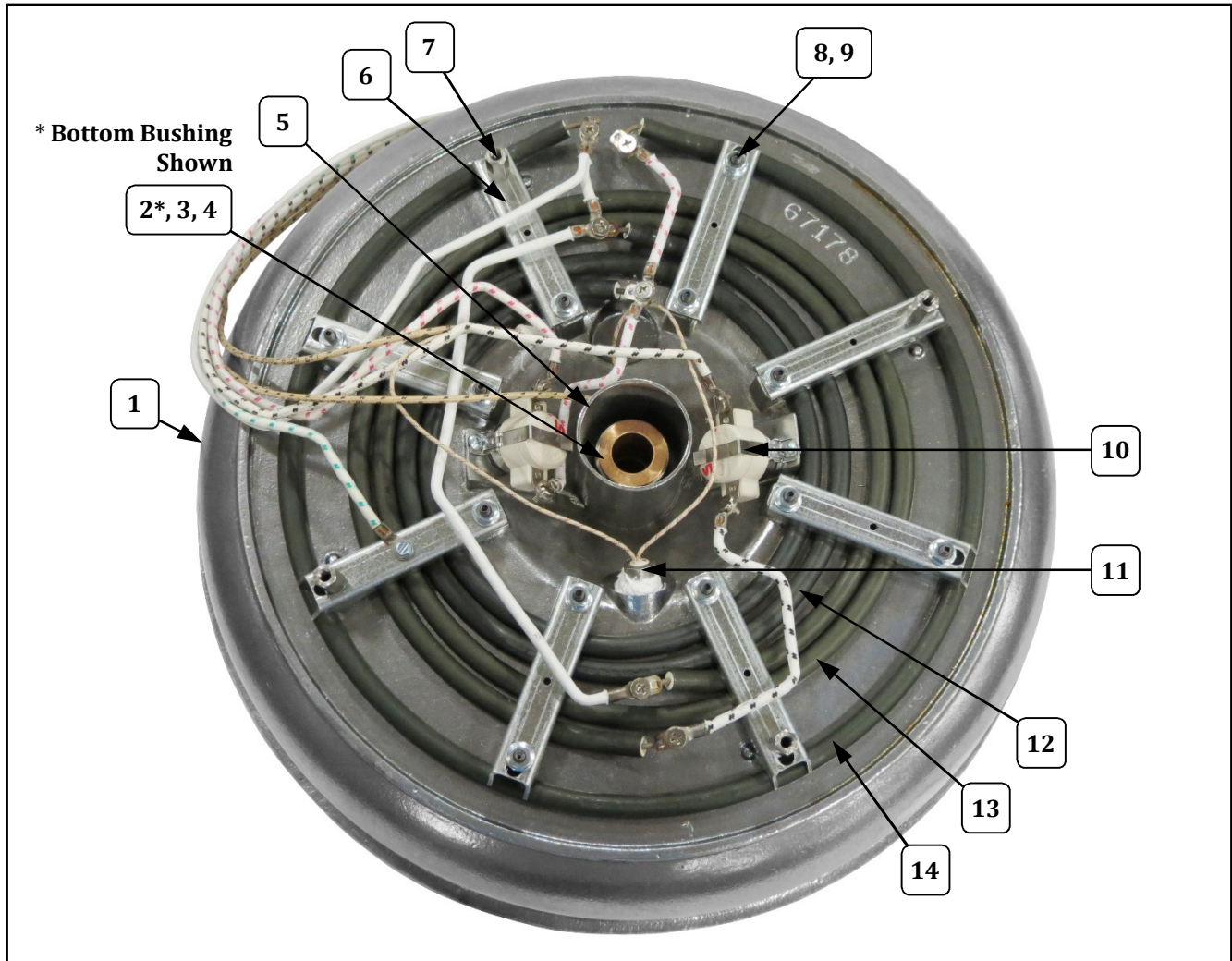
## Kettle Element View – 2175 Series



Item	Part Description	Part No.
		2175DER 2175DER
1	KETTLE, CORN TREAT CENTER (includes bushings shown below)	46280
2	BUSHING, MIX BOWL (bottom bushing shown)	46065PMO
3	BUSHING, MIX BOWL (top bushing not shown; bushing is machined to fit o-ring listed below )	46065
4	O-RING BUSHING SEAL	46119
5	SHAFT COVER	12581
6	ELEMENT RETAINER BRKT	67174
7	STANDOFF 11/16 IN	12889
8	SET SCREW 10-24 X 1	46627
9	10-24 SERRATED LOCK NUT	49363
10	L-510 THERMOSTAT KETTLE (2 required)	82219
11	RTD HEAT SENSOR	46299
12	TUBULAR ELEMENT, 720W	55279
13	TUBULAR ELEMENT, 1500W	48800
14	HEAT ELEMENT 120V 1000W	41536



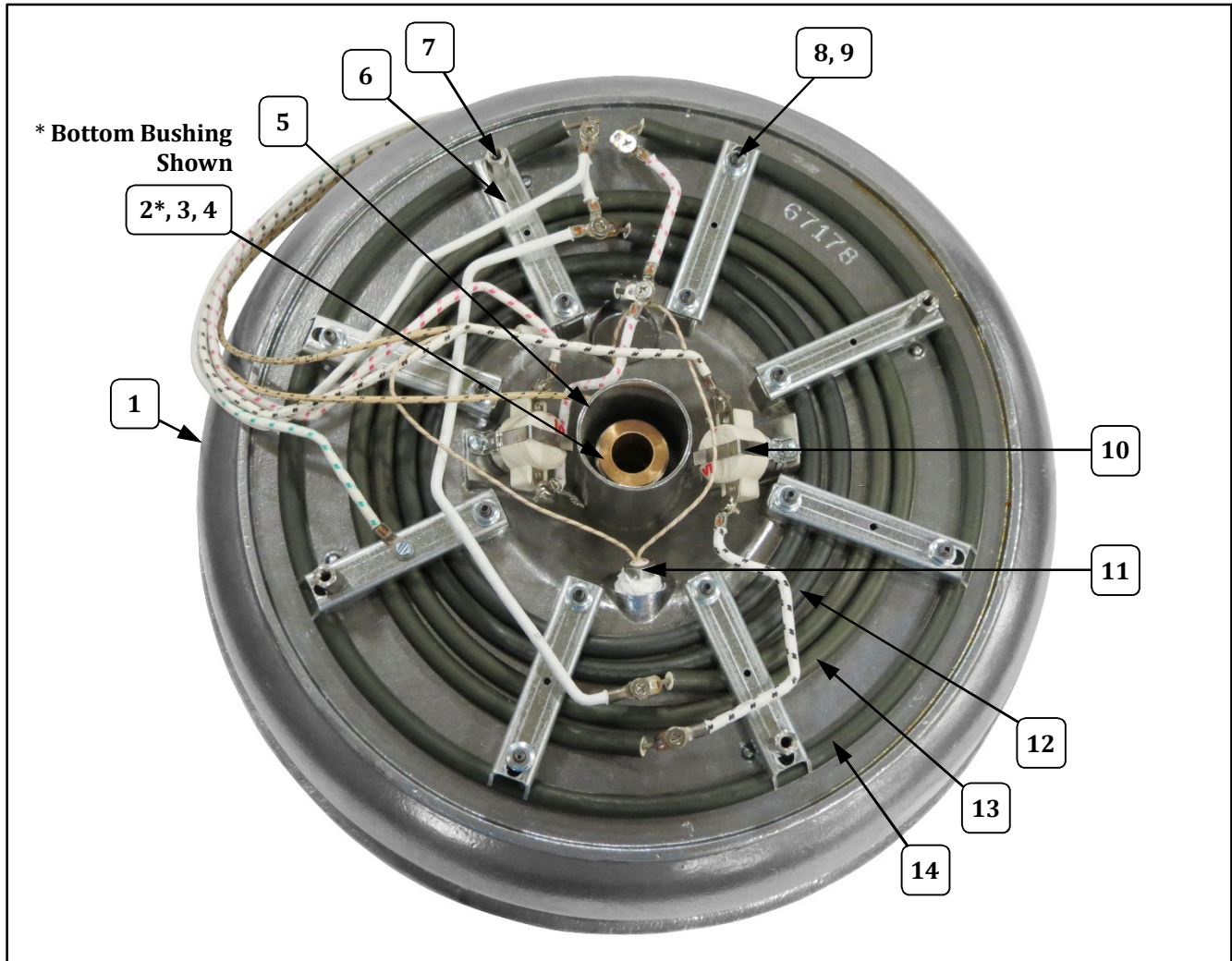
## Kettle Element View – 2175 Series



Item	Part Description	Part No.
		2175DER 2175DER
1	KETTLE, CORN TREAT CENTER (includes bushings shown below)	46280
2	BUSHING, MIX BOWL (bottom bushing shown)	46065PMO
3	BUSHING, MIX BOWL (top bushing not shown; bushing is machined to fit o-ring listed below )	46065
4	O-RING BUSHING SEAL	46119
5	SHAFT COVER	12581
6	ELEMENT RETAINER BRKT	67174
7	STANDOFF 11/16 IN	12889
8	SET SCREW 10-24 X 1	46627
9	10-24 SERRATED LOCK NUT	49363
10	L-510 THERMOSTAT KETTLE (2 required)	82219
11	RTD HEAT SENSOR	46299
12	TUBULAR ELEMENT, 720W	55279
13	TUBULAR ELEMENT, 1500W	48800
14	HEAT ELEMENT 120V 1000W	41536



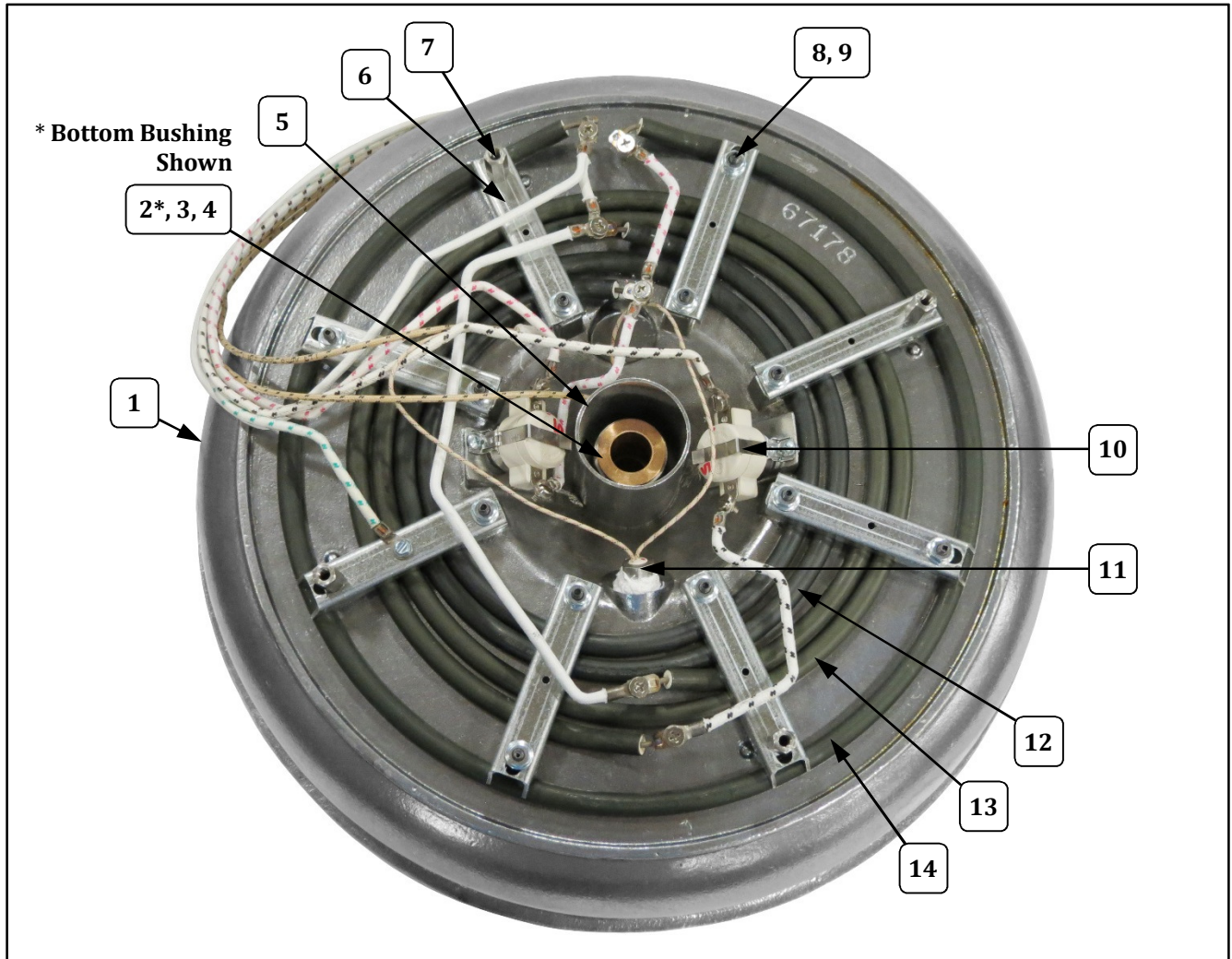
## Kettle Element View – 2175 Series



Item	Part Description	Part No.
		2175DER 2175DER
1	KETTLE, CORN TREAT CENTER (includes bushings shown below)	46280
2	BUSHING, MIX BOWL (bottom bushing shown)	46065PMO
3	BUSHING, MIX BOWL (top bushing not shown; bushing is machined to fit o-ring listed below )	46065
4	O-RING BUSHING SEAL	46119
5	SHAFT COVER	12581
6	ELEMENT RETAINER BRKT	67174
7	STANDOFF 11/16 IN	12889
8	SET SCREW 10-24 X 1	46627
9	10-24 SERRATED LOCK NUT	49363
10	L-510 THERMOSTAT KETTLE (2 required)	82219
11	RTD HEAT SENSOR	46299
12	TUBULAR ELEMENT, 720W	55279
13	TUBULAR ELEMENT, 1500W	48800
14	HEAT ELEMENT 120V 1000W	41536



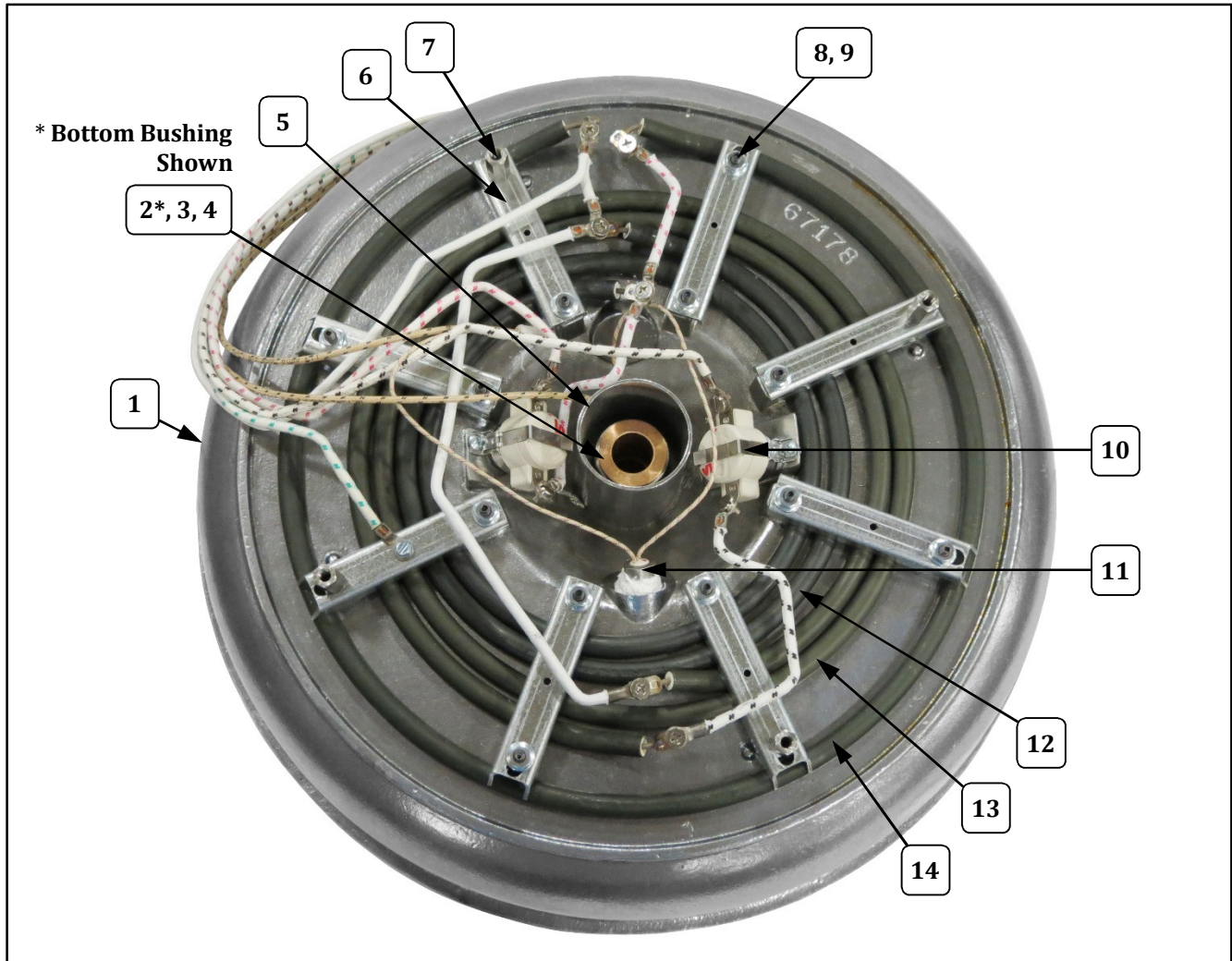
## Kettle Element View – 2175 Series



Item	Part Description	Part No.
		2175DER 2175DER
1	KETTLE, CORN TREAT CENTER (includes bushings shown below)	46280
2	BUSHING, MIX BOWL (bottom bushing shown)	46065PMO
3	BUSHING, MIX BOWL (top bushing not shown; bushing is machined to fit o-ring listed below )	46065
4	O-RING BUSHING SEAL	46119
5	SHAFT COVER	12581
6	ELEMENT RETAINER BRKT	67174
7	STANDOFF 11/16 IN	12889
8	SET SCREW 10-24 X 1	46627
9	10-24 SERRATED LOCK NUT	49363
10	L-510 THERMOSTAT KETTLE (2 required)	82219
11	RTD HEAT SENSOR	46299
12	TUBULAR ELEMENT, 720W	55279
13	TUBULAR ELEMENT, 1500W	48800
14	HEAT ELEMENT 120V 1000W	41536



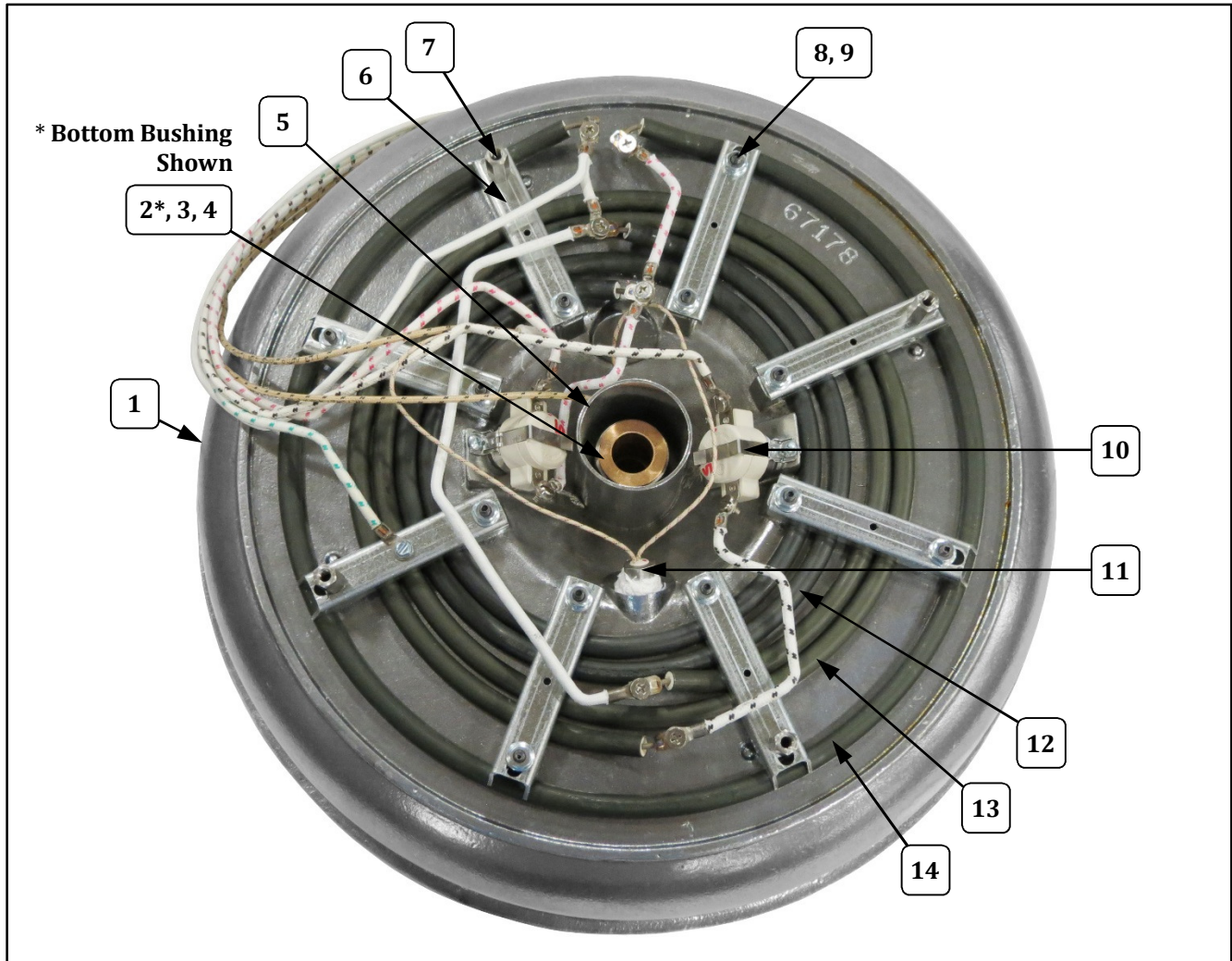
## Kettle Element View – 2175 Series



Item	Part Description	Part No.
		2175DER 2175DER
1	KETTLE, CORN TREAT CENTER (includes bushings shown below)	46280
2	BUSHING, MIX BOWL (bottom bushing shown)	46065PMO
3	BUSHING, MIX BOWL (top bushing not shown; bushing is machined to fit o-ring listed below )	46065
4	O-RING BUSHING SEAL	46119
5	SHAFT COVER	12581
6	ELEMENT RETAINER BRKT	67174
7	STANDOFF 11/16 IN	12889
8	SET SCREW 10-24 X 1	46627
9	10-24 SERRATED LOCK NUT	49363
10	L-510 THERMOSTAT KETTLE (2 required)	82219
11	RTD HEAT SENSOR	46299
12	TUBULAR ELEMENT, 720W	55279
13	TUBULAR ELEMENT, 1500W	48800
14	HEAT ELEMENT 120V 1000W	41536



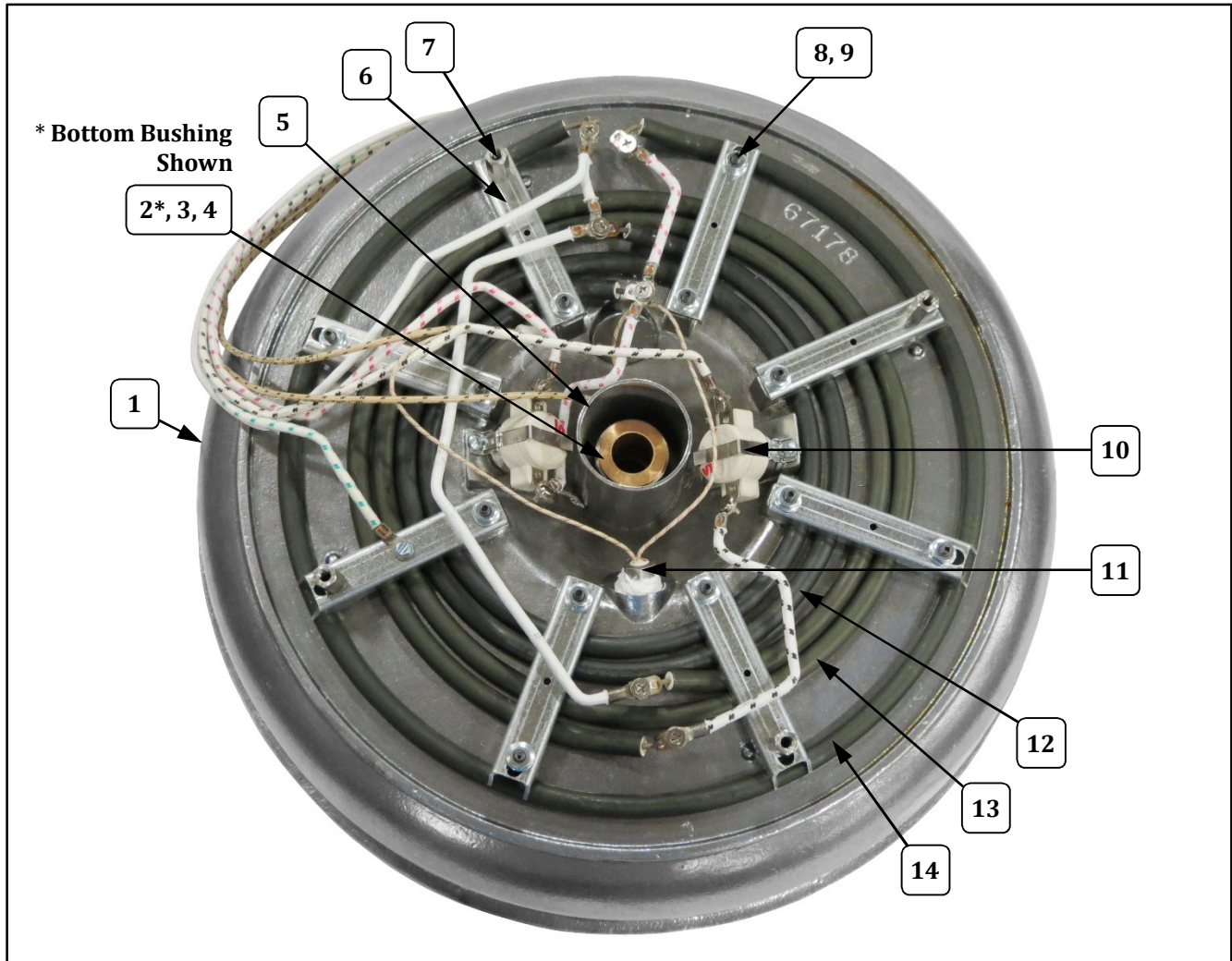
## Kettle Element View – 2175 Series



Item	Part Description	Part No.
		2175DER 2175DER
1	KETTLE, CORN TREAT CENTER (includes bushings shown below)	46280
2	BUSHING, MIX BOWL (bottom bushing shown)	46065PMO
3	BUSHING, MIX BOWL (top bushing not shown; bushing is machined to fit o-ring listed below )	46065
4	O-RING BUSHING SEAL	46119
5	SHAFT COVER	12581
6	ELEMENT RETAINER BRKT	67174
7	STANDOFF 11/16 IN	12889
8	SET SCREW 10-24 X 1	46627
9	10-24 SERRATED LOCK NUT	49363
10	L-510 THERMOSTAT KETTLE (2 required)	82219
11	RTD HEAT SENSOR	46299
12	TUBULAR ELEMENT, 720W	55279
13	TUBULAR ELEMENT, 1500W	48800
14	HEAT ELEMENT 120V 1000W	41536



## Kettle Element View – 2175 Series



Item	Part Description	Part No.
		2175DER 2175DER
1	KETTLE, CORN TREAT CENTER (includes bushings shown below)	46280
2	BUSHING, MIX BOWL (bottom bushing shown)	46065PMO
3	BUSHING, MIX BOWL (top bushing not shown; bushing is machined to fit o-ring listed below )	46065
4	O-RING BUSHING SEAL	46119
5	SHAFT COVER	12581
6	ELEMENT RETAINER BRKT	67174
7	STANDOFF 11/16 IN	12889
8	SET SCREW 10-24 X 1	46627
9	10-24 SERRATED LOCK NUT	49363
10	L-510 THERMOSTAT KETTLE (2 required)	82219
11	RTD HEAT SENSOR	46299
12	TUBULAR ELEMENT, 720W	55279
13	TUBULAR ELEMENT, 1500W	48800
14	HEAT ELEMENT 120V 1000W	41536



## Digital Control Panel – Parts Breakdown

Item	Part Description	Part No.
		All Models
1	DIGITAL CONTRL BOX ASSY (includes support and cover)	48681
2	TEMPERATURE CONTROL 32C	48720
3	SWITCH, ROCKER DPDT LGHT	48616
4	CIRCUIT BREAKER 15 AMP	47364
5	BUZZER SIGNAL	46118
6	RESISTOR, 5K 8 WATT	48612
7	RELAY, 30A DPST 120V	55219
8	RESISTOR, 500K 1 WATT (2 required)	55009
9	TIMER, PERCENTAGE 60 SEC	48688
10	7.5 MFD CAPACITOR	46107
11	CAPACITOR STRAP	48301
12	NAMEPLATE	48668
13	HOLE PLUG, ROCKER SWITCH	42743

## Safety Labels

**Unit Labels**

**Power Cord Label**

Item	Part Description	Part No.
		All Models
1	COOKER LABEL	111031
2	CAUTION HOT LABEL	38201
3	MINIMUM CLEARANCE LABEL	88720
4	MAIN GROUND LABEL	42375
5	WARNING LABEL CORD	68720



## Digital Control Panel – Parts Breakdown

Item	Part Description	Part No.
		All Models
1	DIGITAL CONTRL BOX ASSY (includes support and cover)	48681
2	TEMPERATURE CONTROL 32C	48720
3	SWITCH, ROCKER DPDT LGHT	48616
4	CIRCUIT BREAKER 15 AMP	47364
5	BUZZER SIGNAL	46118
6	RESISTOR, 5K 8 WATT	48612
7	RELAY, 30A DPST 120V	55219
8	RESISTOR, 500K 1 WATT (2 required)	55009
9	TIMER, PERCENTAGE 60 SEC	48688
10	7.5 MFD CAPACITOR	46107
11	CAPACITOR STRAP	48301
12	NAMEPLATE	48668
13	HOLE PLUG, ROCKER SWITCH	42743

## Safety Labels

**Unit Labels**

**Power Cord Label**

Item	Part Description	Part No.
		All Models
1	COOKER LABEL	111031
2	CAUTION HOT LABEL	38201
3	MINIMUM CLEARANCE LABEL	88720
4	MAIN GROUND LABEL	42375
5	WARNING LABEL CORD	68720



## Digital Control Panel – Parts Breakdown

Item	Part Description	Part No.
		All Models
1	DIGITAL CONTRL BOX ASSY (includes support and cover)	48681
2	TEMPERATURE CONTROL 32C	48720
3	SWITCH, ROCKER DPDT LGHT	48616
4	CIRCUIT BREAKER 15 AMP	47364
5	BUZZER SIGNAL	46118
6	RESISTOR, 5K 8 WATT	48612
7	RELAY, 30A DPST 120V	55219
8	RESISTOR, 500K 1 WATT (2 required)	55009
9	TIMER, PERCENTAGE 60 SEC	48688
10	7.5 MFD CAPACITOR	46107
11	CAPACITOR STRAP	48301
12	NAMEPLATE	48668
13	HOLE PLUG, ROCKER SWITCH	42743

## Safety Labels

**Unit Labels**

**Power Cord Label**

Item	Part Description	Part No.
		All Models
1	COOKER LABEL	111031
2	CAUTION HOT LABEL	38201
3	MINIMUM CLEARANCE LABEL	88720
4	MAIN GROUND LABEL	42375
5	WARNING LABEL CORD	68720



## Digital Control Panel – Parts Breakdown

Item	Part Description	Part No.
		All Models
1	DIGITAL CONTRL BOX ASSY (includes support and cover)	48681
2	TEMPERATURE CONTROL 32C	48720
3	SWITCH, ROCKER DPDT LGHT	48616
4	CIRCUIT BREAKER 15 AMP	47364
5	BUZZER SIGNAL	46118
6	RESISTOR, 5K 8 WATT	48612
7	RELAY, 30A DPST 120V	55219
8	RESISTOR, 500K 1 WATT (2 required)	55009
9	TIMER, PERCENTAGE 60 SEC	48688
10	7.5 MFD CAPACITOR	46107
11	CAPACITOR STRAP	48301
12	NAMEPLATE	48668
13	HOLE PLUG, ROCKER SWITCH	42743

## Safety Labels

**Unit Labels**

**Power Cord Label**

Item	Part Description	Part No.
		All Models
1	COOKER LABEL	111031
2	CAUTION HOT LABEL	38201
3	MINIMUM CLEARANCE LABEL	88720
4	MAIN GROUND LABEL	42375
5	WARNING LABEL CORD	68720



## Digital Control Panel – Parts Breakdown

Item	Part Description	Part No.
		All Models
1	DIGITAL CONTRL BOX ASSY (includes support and cover)	48681
2	TEMPERATURE CONTROL 32C	48720
3	SWITCH, ROCKER DPDT LGHT	48616
4	CIRCUIT BREAKER 15 AMP	47364
5	BUZZER SIGNAL	46118
6	RESISTOR, 5K 8 WATT	48612
7	RELAY, 30A DPST 120V	55219
8	RESISTOR, 500K 1 WATT (2 required)	55009
9	TIMER, PERCENTAGE 60 SEC	48688
10	7.5 MFD CAPACITOR	46107
11	CAPACITOR STRAP	48301
12	NAMEPLATE	48668
13	HOLE PLUG, ROCKER SWITCH	42743

## Safety Labels

**Unit Labels**

**Power Cord Label**

Item	Part Description	Part No.
		All Models
1	COOKER LABEL	111031
2	CAUTION HOT LABEL	38201
3	MINIMUM CLEARANCE LABEL	88720
4	MAIN GROUND LABEL	42375
5	WARNING LABEL CORD	68720



## Digital Control Panel – Parts Breakdown

Item	Part Description	Part No.
		All Models
1	DIGITAL CONTRL BOX ASSY (includes support and cover)	48681
2	TEMPERATURE CONTROL 32C	48720
3	SWITCH, ROCKER DPDT LGHT	48616
4	CIRCUIT BREAKER 15 AMP	47364
5	BUZZER SIGNAL	46118
6	RESISTOR, 5K 8 WATT	48612
7	RELAY, 30A DPST 120V	55219
8	RESISTOR, 500K 1 WATT (2 required)	55009
9	TIMER, PERCENTAGE 60 SEC	48688
10	7.5 MFD CAPACITOR	46107
11	CAPACITOR STRAP	48301
12	NAMEPLATE	48668
13	HOLE PLUG, ROCKER SWITCH	42743

## Safety Labels

**Unit Labels**

**Power Cord Label**

Item	Part Description	Part No.
		All Models
1	COOKER LABEL	111031
2	CAUTION HOT LABEL	38201
3	MINIMUM CLEARANCE LABEL	88720
4	MAIN GROUND LABEL	42375
5	WARNING LABEL CORD	68720



## Digital Control Panel – Parts Breakdown

Item	Part Description	Part No.
		All Models
1	DIGITAL CONTRL BOX ASSY (includes support and cover)	48681
2	TEMPERATURE CONTROL 32C	48720
3	SWITCH, ROCKER DPDT LGHT	48616
4	CIRCUIT BREAKER 15 AMP	47364
5	BUZZER SIGNAL	46118
6	RESISTOR, 5K 8 WATT	48612
7	RELAY, 30A DPST 120V	55219
8	RESISTOR, 500K 1 WATT (2 required)	55009
9	TIMER, PERCENTAGE 60 SEC	48688
10	7.5 MFD CAPACITOR	46107
11	CAPACITOR STRAP	48301
12	NAMEPLATE	48668
13	HOLE PLUG, ROCKER SWITCH	42743

## Safety Labels

**Unit Labels**

**Power Cord Label**

Item	Part Description	Part No.
		All Models
1	COOKER LABEL	111031
2	CAUTION HOT LABEL	38201
3	MINIMUM CLEARANCE LABEL	88720
4	MAIN GROUND LABEL	42375
5	WARNING LABEL CORD	68720



## Digital Control Panel – Parts Breakdown

Item	Part Description	Part No.
		All Models
1	DIGITAL CONTRL BOX ASSY (includes support and cover)	48681
2	TEMPERATURE CONTROL 32C	48720
3	SWITCH, ROCKER DPDT LGHT	48616
4	CIRCUIT BREAKER 15 AMP	47364
5	BUZZER SIGNAL	46118
6	RESISTOR, 5K 8 WATT	48612
7	RELAY, 30A DPST 120V	55219
8	RESISTOR, 500K 1 WATT (2 required)	55009
9	TIMER, PERCENTAGE 60 SEC	48688
10	7.5 MFD CAPACITOR	46107
11	CAPACITOR STRAP	48301
12	NAMEPLATE	48668
13	HOLE PLUG, ROCKER SWITCH	42743

## Safety Labels

**Unit Labels**

**Power Cord Label**

Item	Part Description	Part No.
		All Models
1	COOKER LABEL	111031
2	CAUTION HOT LABEL	38201
3	MINIMUM CLEARANCE LABEL	88720
4	MAIN GROUND LABEL	42375
5	WARNING LABEL CORD	68720



## Digital Control Panel – Parts Breakdown

Item	Part Description	Part No.
		All Models
1	DIGITAL CONTRL BOX ASSY (includes support and cover)	48681
2	TEMPERATURE CONTROL 32C	48720
3	SWITCH, ROCKER DPDT LGHT	48616
4	CIRCUIT BREAKER 15 AMP	47364
5	BUZZER SIGNAL	46118
6	RESISTOR, 5K 8 WATT	48612
7	RELAY, 30A DPST 120V	55219
8	RESISTOR, 500K 1 WATT (2 required)	55009
9	TIMER, PERCENTAGE 60 SEC	48688
10	7.5 MFD CAPACITOR	46107
11	CAPACITOR STRAP	48301
12	NAMEPLATE	48668
13	HOLE PLUG, ROCKER SWITCH	42743

## Safety Labels

**Unit Labels**

**Power Cord Label**

Item	Part Description	Part No.
		All Models
1	COOKER LABEL	111031
2	CAUTION HOT LABEL	38201
3	MINIMUM CLEARANCE LABEL	88720
4	MAIN GROUND LABEL	42375
5	WARNING LABEL CORD	68720



## Digital Control Panel – Parts Breakdown

Item	Part Description	Part No.
		All Models
1	DIGITAL CONTRL BOX ASSY (includes support and cover)	48681
2	TEMPERATURE CONTROL 32C	48720
3	SWITCH, ROCKER DPDT LGHT	48616
4	CIRCUIT BREAKER 15 AMP	47364
5	BUZZER SIGNAL	46118
6	RESISTOR, 5K 8 WATT	48612
7	RELAY, 30A DPST 120V	55219
8	RESISTOR, 500K 1 WATT (2 required)	55009
9	TIMER, PERCENTAGE 60 SEC	48688
10	7.5 MFD CAPACITOR	46107
11	CAPACITOR STRAP	48301
12	NAMEPLATE	48668
13	HOLE PLUG, ROCKER SWITCH	42743

## Safety Labels

**Unit Labels**

**Power Cord Label**

Item	Part Description	Part No.
		All Models
1	COOKER LABEL	111031
2	CAUTION HOT LABEL	38201
3	MINIMUM CLEARANCE LABEL	88720
4	MAIN GROUND LABEL	42375
5	WARNING LABEL CORD	68720



## Digital Control Panel – Parts Breakdown

Item	Part Description	Part No.
		All Models
1	DIGITAL CONTRL BOX ASSY (includes support and cover)	48681
2	TEMPERATURE CONTROL 32C	48720
3	SWITCH, ROCKER DPDT LGHT	48616
4	CIRCUIT BREAKER 15 AMP	47364
5	BUZZER SIGNAL	46118
6	RESISTOR, 5K 8 WATT	48612
7	RELAY, 30A DPST 120V	55219
8	RESISTOR, 500K 1 WATT (2 required)	55009
9	TIMER, PERCENTAGE 60 SEC	48688
10	7.5 MFD CAPACITOR	46107
11	CAPACITOR STRAP	48301
12	NAMEPLATE	48668
13	HOLE PLUG, ROCKER SWITCH	42743

## Safety Labels

**Unit Labels**

**Power Cord Label**

Item	Part Description	Part No.
		All Models
1	COOKER LABEL	111031
2	CAUTION HOT LABEL	38201
3	MINIMUM CLEARANCE LABEL	88720
4	MAIN GROUND LABEL	42375
5	WARNING LABEL CORD	68720



## Digital Control Panel – Parts Breakdown

Item	Part Description	Part No.
		All Models
1	DIGITAL CONTRL BOX ASSY (includes support and cover)	48681
2	TEMPERATURE CONTROL 32C	48720
3	SWITCH, ROCKER DPDT LGHT	48616
4	CIRCUIT BREAKER 15 AMP	47364
5	BUZZER SIGNAL	46118
6	RESISTOR, 5K 8 WATT	48612
7	RELAY, 30A DPST 120V	55219
8	RESISTOR, 500K 1 WATT (2 required)	55009
9	TIMER, PERCENTAGE 60 SEC	48688
10	7.5 MFD CAPACITOR	46107
11	CAPACITOR STRAP	48301
12	NAMEPLATE	48668
13	HOLE PLUG, ROCKER SWITCH	42743

## Safety Labels

**Unit Labels**

**Power Cord Label**

Item	Part Description	Part No.
		All Models
1	COOKER LABEL	111031
2	CAUTION HOT LABEL	38201
3	MINIMUM CLEARANCE LABEL	88720
4	MAIN GROUND LABEL	42375
5	WARNING LABEL CORD	68720



## Digital Control Panel – Parts Breakdown

Item	Part Description	Part No.
		All Models
1	DIGITAL CONTRL BOX ASSY (includes support and cover)	48681
2	TEMPERATURE CONTROL 32C	48720
3	SWITCH, ROCKER DPDT LGHT	48616
4	CIRCUIT BREAKER 15 AMP	47364
5	BUZZER SIGNAL	46118
6	RESISTOR, 5K 8 WATT	48612
7	RELAY, 30A DPST 120V	55219
8	RESISTOR, 500K 1 WATT (2 required)	55009
9	TIMER, PERCENTAGE 60 SEC	48688
10	7.5 MFD CAPACITOR	46107
11	CAPACITOR STRAP	48301
12	NAMEPLATE	48668
13	HOLE PLUG, ROCKER SWITCH	42743

## Safety Labels

**Unit Labels**

**Power Cord Label**

Item	Part Description	Part No.
		All Models
1	COOKER LABEL	111031
2	CAUTION HOT LABEL	38201
3	MINIMUM CLEARANCE LABEL	88720
4	MAIN GROUND LABEL	42375
5	WARNING LABEL CORD	68720



## Digital Control Panel – Parts Breakdown

Item	Part Description	Part No.
		All Models
1	DIGITAL CONTRL BOX ASSY (includes support and cover)	48681
2	TEMPERATURE CONTROL 32C	48720
3	SWITCH, ROCKER DPDT LGHT	48616
4	CIRCUIT BREAKER 15 AMP	47364
5	BUZZER SIGNAL	46118
6	RESISTOR, 5K 8 WATT	48612
7	RELAY, 30A DPST 120V	55219
8	RESISTOR, 500K 1 WATT (2 required)	55009
9	TIMER, PERCENTAGE 60 SEC	48688
10	7.5 MFD CAPACITOR	46107
11	CAPACITOR STRAP	48301
12	NAMEPLATE	48668
13	HOLE PLUG, ROCKER SWITCH	42743

## Safety Labels

**Unit Labels**

**Power Cord Label**

Item	Part Description	Part No.
		All Models
1	COOKER LABEL	111031
2	CAUTION HOT LABEL	38201
3	MINIMUM CLEARANCE LABEL	88720
4	MAIN GROUND LABEL	42375
5	WARNING LABEL CORD	68720



## Digital Control Panel – Parts Breakdown

Item	Part Description	Part No.
		All Models
1	DIGITAL CONTRL BOX ASSY (includes support and cover)	48681
2	TEMPERATURE CONTROL 32C	48720
3	SWITCH, ROCKER DPDT LGHT	48616
4	CIRCUIT BREAKER 15 AMP	47364
5	BUZZER SIGNAL	46118
6	RESISTOR, 5K 8 WATT	48612
7	RELAY, 30A DPST 120V	55219
8	RESISTOR, 500K 1 WATT (2 required)	55009
9	TIMER, PERCENTAGE 60 SEC	48688
10	7.5 MFD CAPACITOR	46107
11	CAPACITOR STRAP	48301
12	NAMEPLATE	48668
13	HOLE PLUG, ROCKER SWITCH	42743

## Safety Labels

**Unit Labels**

**Power Cord Label**

Item	Part Description	Part No.
		All Models
1	COOKER LABEL	111031
2	CAUTION HOT LABEL	38201
3	MINIMUM CLEARANCE LABEL	88720
4	MAIN GROUND LABEL	42375
5	WARNING LABEL CORD	68720



## Digital Control Panel – Parts Breakdown

Item	Part Description	Part No.
		All Models
1	DIGITAL CONTRL BOX ASSY (includes support and cover)	48681
2	TEMPERATURE CONTROL 32C	48720
3	SWITCH, ROCKER DPDT LGHT	48616
4	CIRCUIT BREAKER 15 AMP	47364
5	BUZZER SIGNAL	46118
6	RESISTOR, 5K 8 WATT	48612
7	RELAY, 30A DPST 120V	55219
8	RESISTOR, 500K 1 WATT (2 required)	55009
9	TIMER, PERCENTAGE 60 SEC	48688
10	7.5 MFD CAPACITOR	46107
11	CAPACITOR STRAP	48301
12	NAMEPLATE	48668
13	HOLE PLUG, ROCKER SWITCH	42743

## Safety Labels

**Unit Labels**

**Power Cord Label**

Item	Part Description	Part No.
		All Models
1	COOKER LABEL	111031
2	CAUTION HOT LABEL	38201
3	MINIMUM CLEARANCE LABEL	88720
4	MAIN GROUND LABEL	42375
5	WARNING LABEL CORD	68720



## Digital Control Panel – Parts Breakdown

Item	Part Description	Part No.
		All Models
1	DIGITAL CONTRL BOX ASSY (includes support and cover)	48681
2	TEMPERATURE CONTROL 32C	48720
3	SWITCH, ROCKER DPDT LGHT	48616
4	CIRCUIT BREAKER 15 AMP	47364
5	BUZZER SIGNAL	46118
6	RESISTOR, 5K 8 WATT	48612
7	RELAY, 30A DPST 120V	55219
8	RESISTOR, 500K 1 WATT (2 required)	55009
9	TIMER, PERCENTAGE 60 SEC	48688
10	7.5 MFD CAPACITOR	46107
11	CAPACITOR STRAP	48301
12	NAMEPLATE	48668
13	HOLE PLUG, ROCKER SWITCH	42743

## Safety Labels

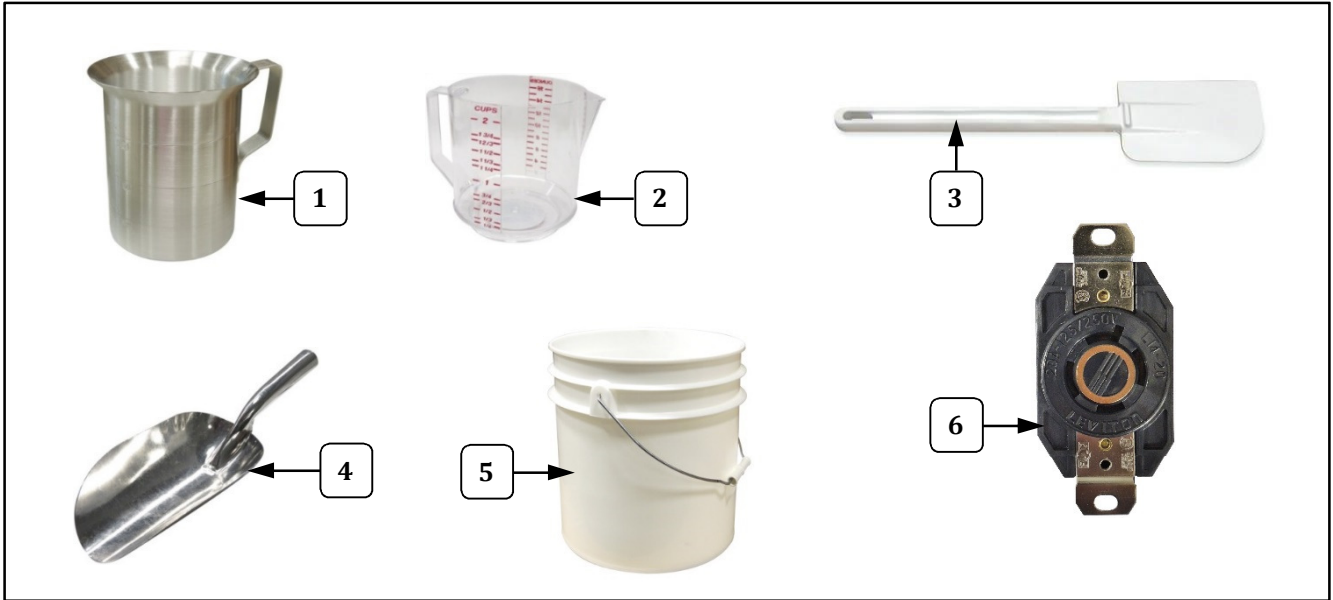
**Unit Labels**

**Power Cord Label**

Item	Part Description	Part No.
		All Models
1	COOKER LABEL	111031
2	CAUTION HOT LABEL	38201
3	MINIMUM CLEARANCE LABEL	88720
4	MAIN GROUND LABEL	42375
5	WARNING LABEL CORD	68720



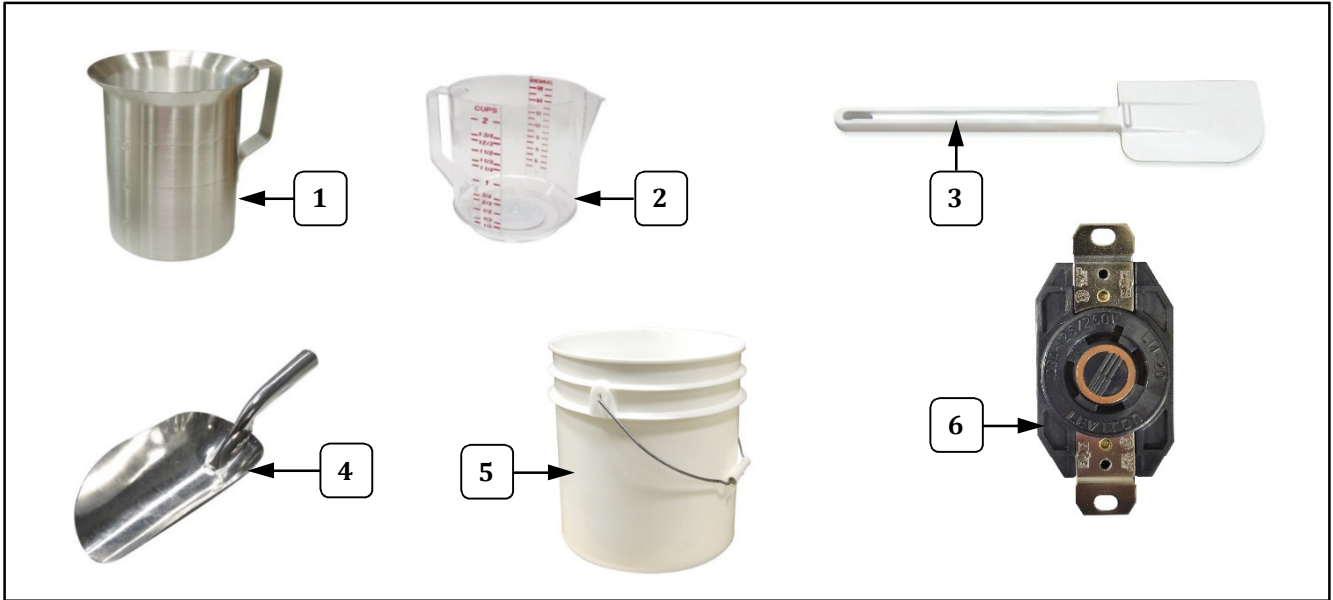
## Accessories



Item	Part Description	Part No.	
		2174DEL 2174DER	2175DEL 2175DER
1	ONE QUART MEASURE	<a href="#">46466</a>	<a href="#">46466</a>
2	2 CUP ACRYLIC MEASURE	<a href="#">62807</a>	<a href="#">62807</a>
3	BOWL SCRAPER	46210	46210
4	STAMPED ALUM SCOOP	2071	2071
5	5GAL WHITE STORAGE BUCKET	<a href="#">46125</a>	<a href="#">46125</a>
6	RECPT, 20A-125/250 VOLT		<a href="#">41254</a>



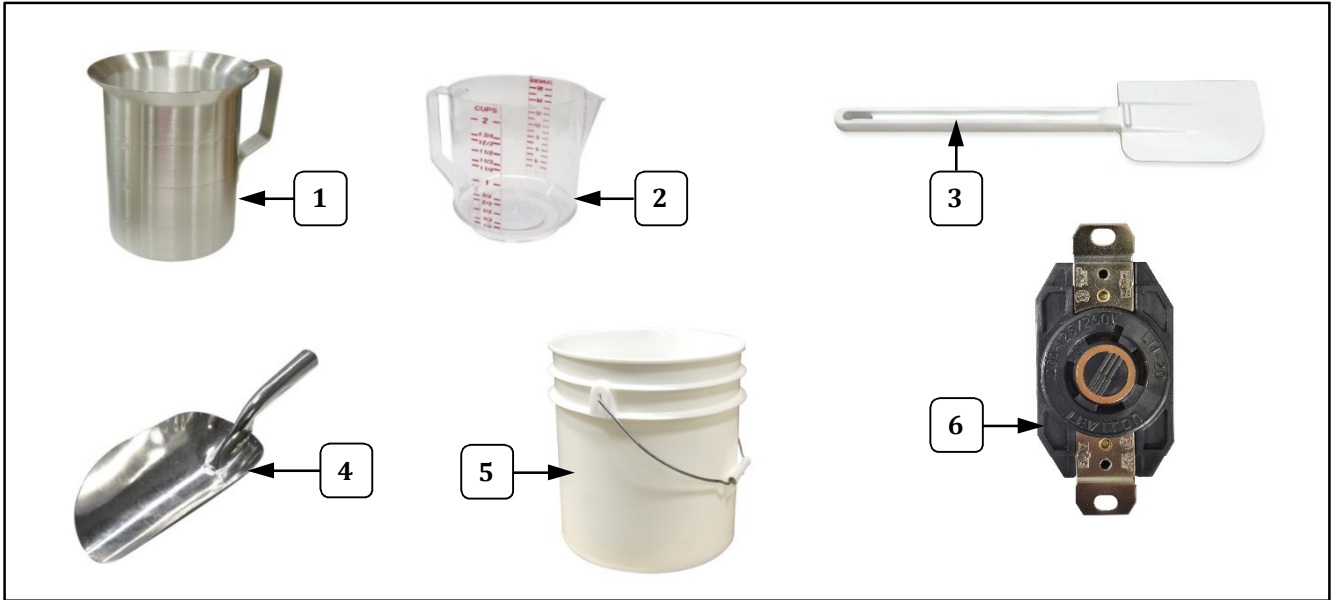
## Accessories



Item	Part Description	Part No.	
		2174DEL 2174DER	2175DEL 2175DER
1	ONE QUART MEASURE	<a href="#">46466</a>	<a href="#">46466</a>
2	2 CUP ACRYLIC MEASURE	<a href="#">62807</a>	<a href="#">62807</a>
3	BOWL SCRAPER	46210	46210
4	STAMPED ALUM SCOOP	2071	2071
5	5GAL WHITE STORAGE BUCKET	<a href="#">46125</a>	<a href="#">46125</a>
6	RECPT, 20A-125/250 VOLT		<a href="#">41254</a>



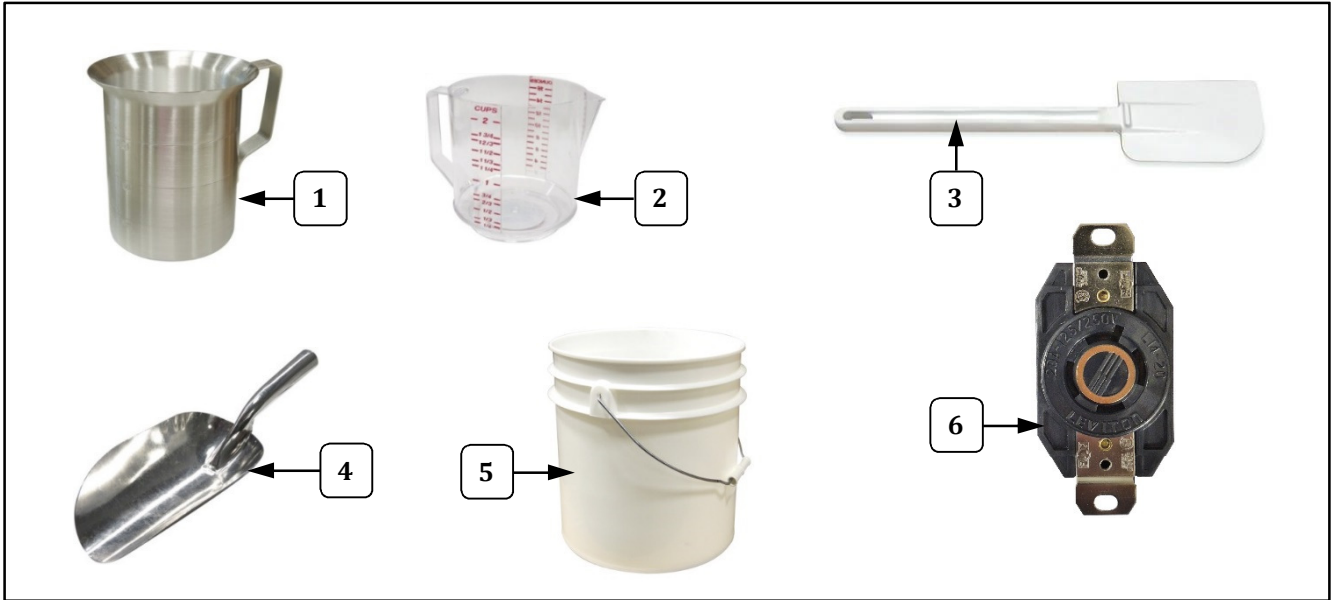
## Accessories



Item	Part Description	Part No.	
		2174DEL 2174DER	2175DEL 2175DER
1	ONE QUART MEASURE	<a href="#">46466</a>	<a href="#">46466</a>
2	2 CUP ACRYLIC MEASURE	<a href="#">62807</a>	<a href="#">62807</a>
3	BOWL SCRAPER	46210	46210
4	STAMPED ALUM SCOOP	2071	2071
5	5GAL WHITE STORAGE BUCKET	<a href="#">46125</a>	<a href="#">46125</a>
6	RECPT, 20A-125/250 VOLT		<a href="#">41254</a>



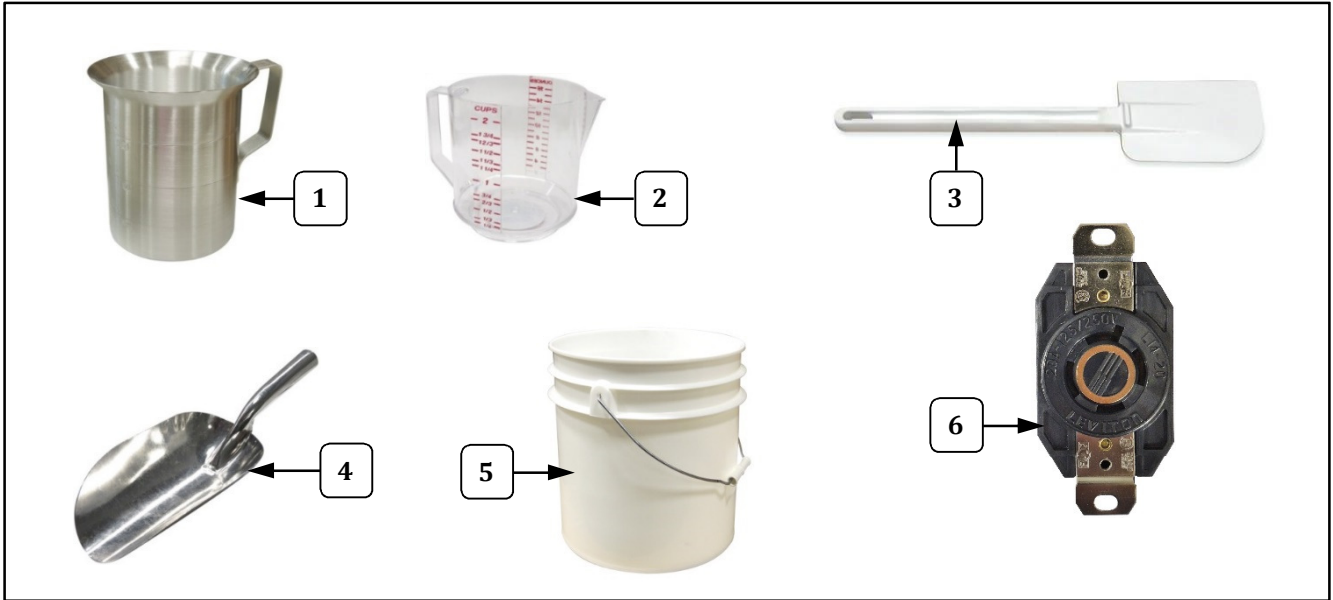
## Accessories



Item	Part Description	Part No.	
		2174DEL 2174DER	2175DEL 2175DER
1	ONE QUART MEASURE	<a href="#">46466</a>	<a href="#">46466</a>
2	2 CUP ACRYLIC MEASURE	<a href="#">62807</a>	<a href="#">62807</a>
3	BOWL SCRAPER	46210	46210
4	STAMPED ALUM SCOOP	2071	2071
5	5GAL WHITE STORAGE BUCKET	<a href="#">46125</a>	<a href="#">46125</a>
6	RECPT, 20A-125/250 VOLT		<a href="#">41254</a>



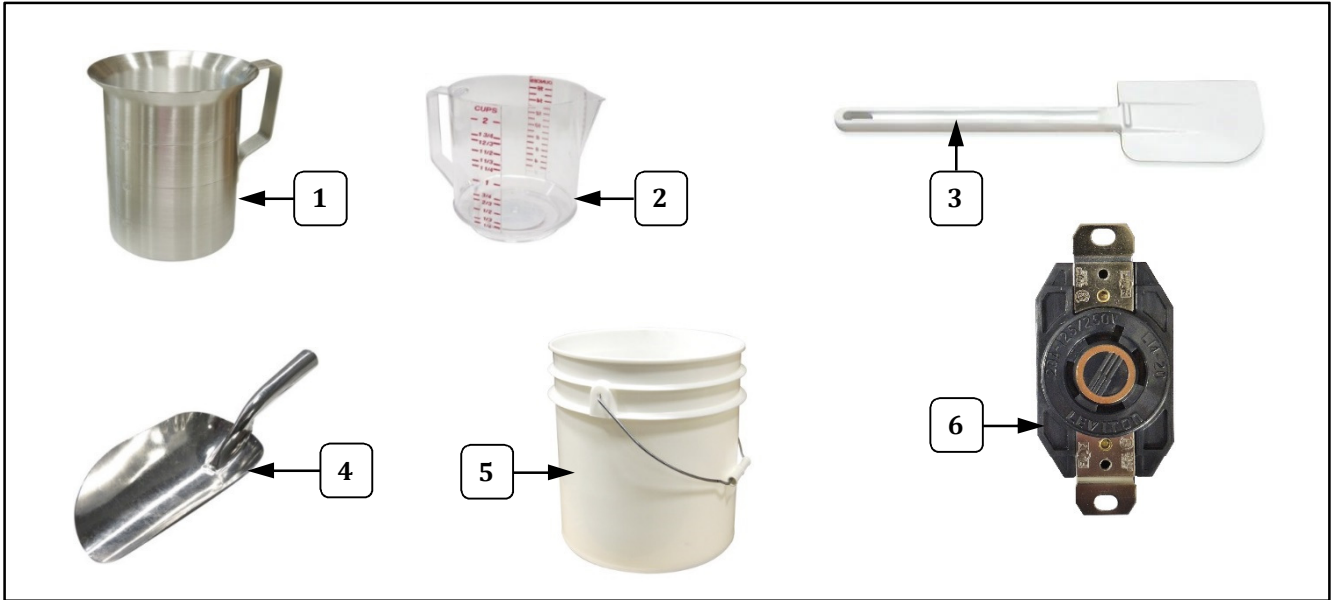
## Accessories



Item	Part Description	Part No.	
		2174DEL 2174DER	2175DEL 2175DER
1	ONE QUART MEASURE	<a href="#">46466</a>	<a href="#">46466</a>
2	2 CUP ACRYLIC MEASURE	<a href="#">62807</a>	<a href="#">62807</a>
3	BOWL SCRAPER	46210	46210
4	STAMPED ALUM SCOOP	2071	2071
5	5GAL WHITE STORAGE BUCKET	<a href="#">46125</a>	<a href="#">46125</a>
6	RECPT, 20A-125/250 VOLT		<a href="#">41254</a>



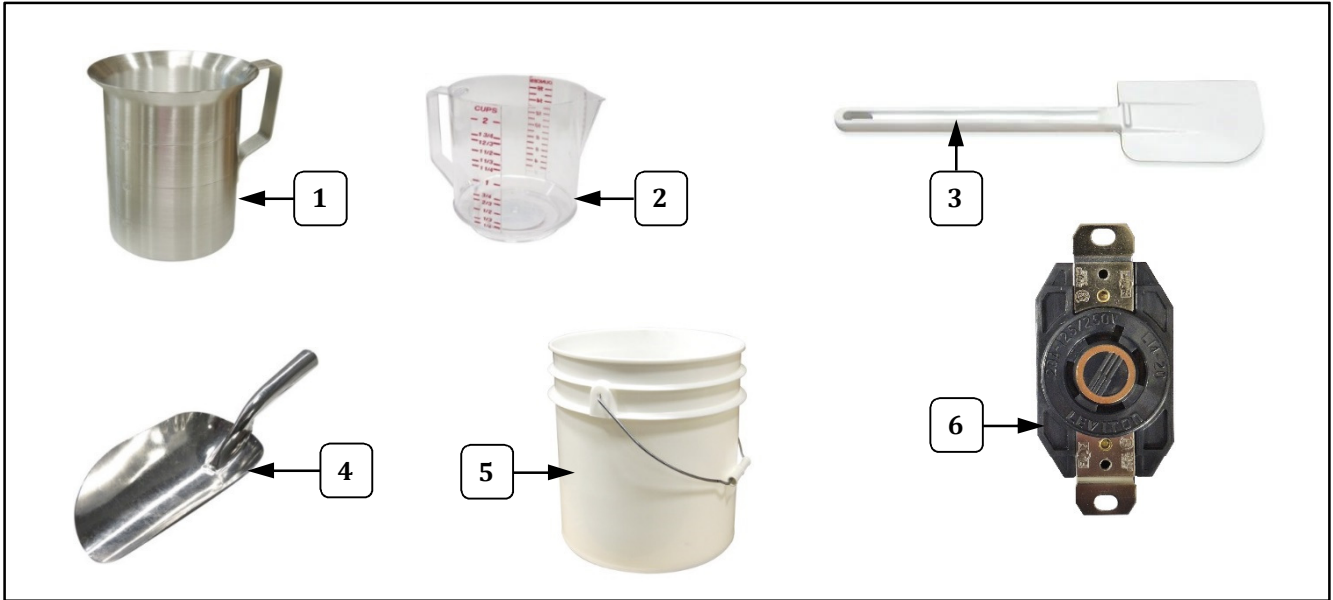
## Accessories



Item	Part Description	Part No.	
		2174DEL 2174DER	2175DEL 2175DER
1	ONE QUART MEASURE	<a href="#">46466</a>	<a href="#">46466</a>
2	2 CUP ACRYLIC MEASURE	<a href="#">62807</a>	<a href="#">62807</a>
3	BOWL SCRAPER	46210	46210
4	STAMPED ALUM SCOOP	2071	2071
5	5GAL WHITE STORAGE BUCKET	<a href="#">46125</a>	<a href="#">46125</a>
6	RECPT, 20A-125/250 VOLT		<a href="#">41254</a>



## Accessories



Item	Part Description	Part No.	
		2174DEL 2174DER	2175DEL 2175DER
1	ONE QUART MEASURE	<a href="#">46466</a>	<a href="#">46466</a>
2	2 CUP ACRYLIC MEASURE	<a href="#">62807</a>	<a href="#">62807</a>
3	BOWL SCRAPER	46210	46210
4	STAMPED ALUM SCOOP	2071	2071
5	5GAL WHITE STORAGE BUCKET	<a href="#">46125</a>	<a href="#">46125</a>
6	RECPT, 20A-125/250 VOLT		<a href="#">41254</a>