



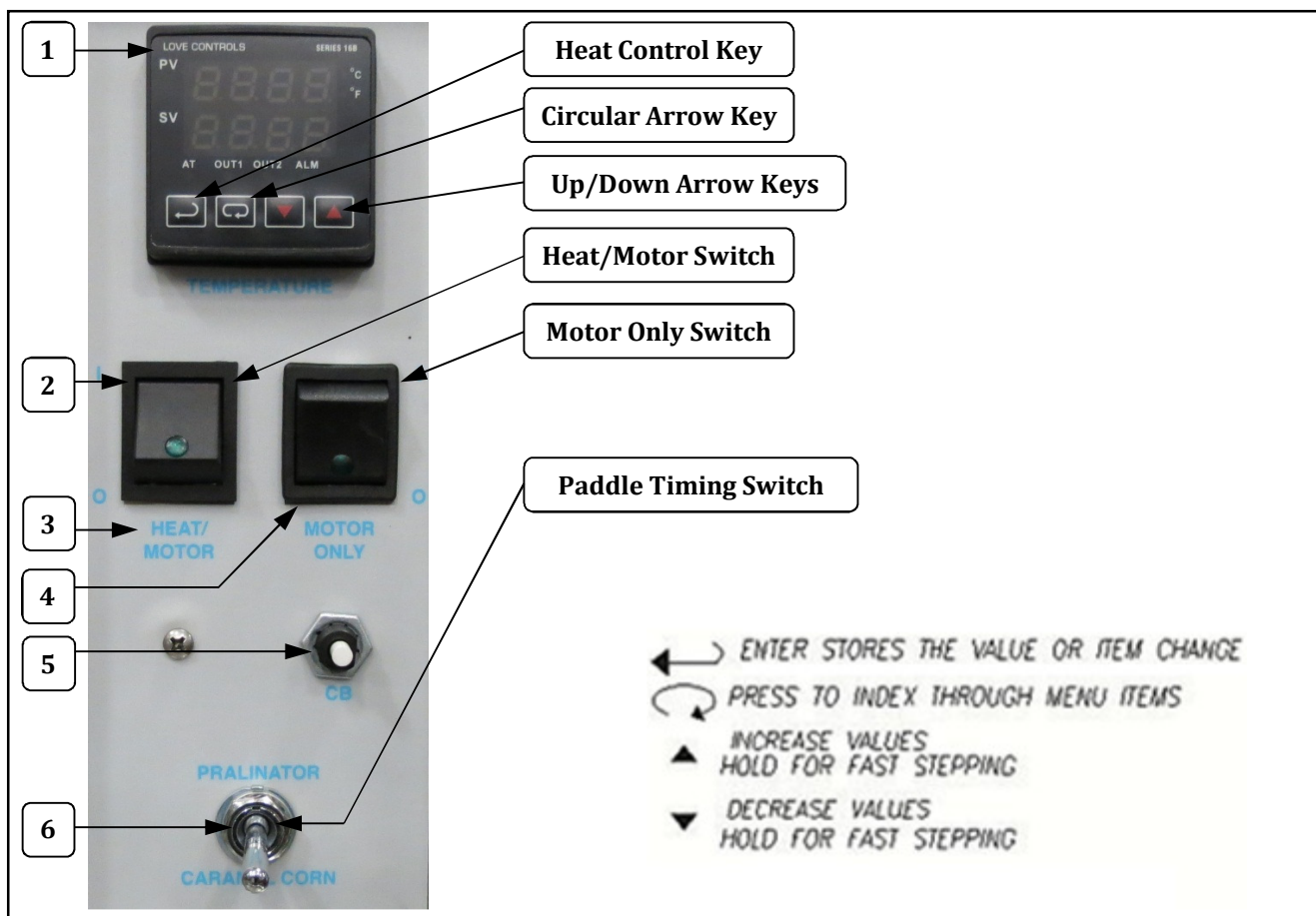
# OPERATING INSTRUCTIONS

## Controls and Their Functions

**Heat/Motor Switch** – This rocker switch in the “On” position energizes the heating elements in the bottom of the kettle. It also activates the agitator motor based on the Pralinator/Corn Treat switch setting (See description below). The Motor Only switch is off when using this switch.

**Motor Only Switch** – With this rocker switch in the “on” position, the agitator motor will run continuously. This switch is used after the corn has been added to the caramel mixture for blending the caramel corn. The Heat/Motor switch is turned off before activating this switch.

**Pralinator/Corn Treat Switch** – This rocker switch in the “Pralinator” position with the motor switch “Off” will run the agitator motor 55 seconds of every minute. In the “Corn Treat” position, the agitator motor will run 30 seconds of every minute.



Item	Part No.	Model(s)	Part Description	Qty.
1	55506	ALL	HEAT CONTROL	1
2	42798	ALL	LIGHTED ROCKER SWITCH	1
3	55507	ALL	DIGITAL NAMEPLATE	1
4	48616	ALL	DPDT ROCKER SWITCH	1
5	47364	2182	15A CIRCUIT BREAKER	1
	48659	2182X	10A, 277V, CIRCUIT BREAKER	
6	55508	ALL	3DPT TOGGLE SWITCH	1



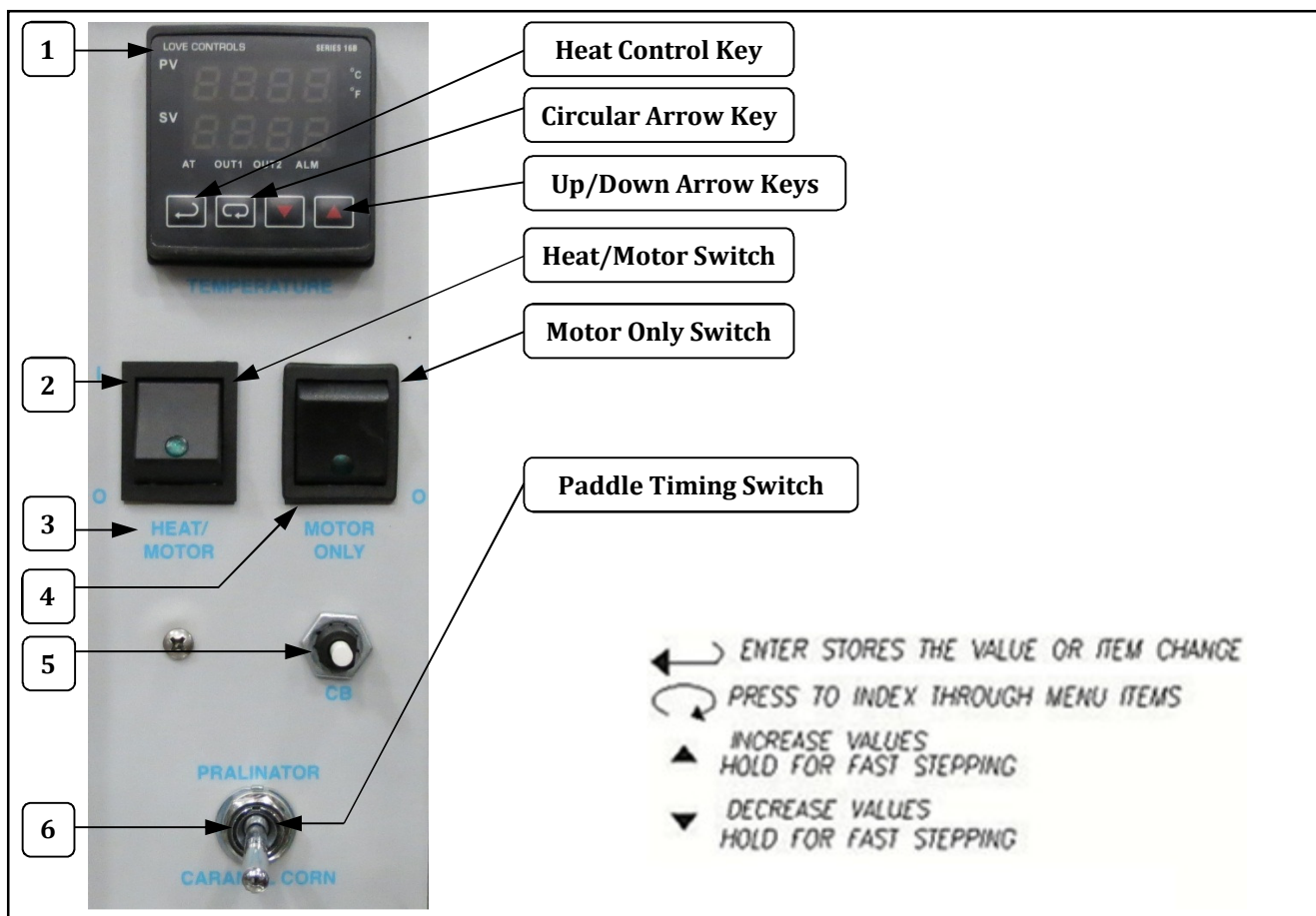
# OPERATING INSTRUCTIONS

## Controls and Their Functions

**Heat/Motor Switch** – This rocker switch in the “On” position energizes the heating elements in the bottom of the kettle. It also activates the agitator motor based on the Pralinator/Corn Treat switch setting (See description below). The Motor Only switch is off when using this switch.

**Motor Only Switch** – With this rocker switch in the “on” position, the agitator motor will run continuously. This switch is used after the corn has been added to the caramel mixture for blending the caramel corn. The Heat/Motor switch is turned off before activating this switch.

**Pralinator/Corn Treat Switch** – This rocker switch in the “Pralinator” position with the motor switch “Off” will run the agitator motor 55 seconds of every minute. In the “Corn Treat” position, the agitator motor will run 30 seconds of every minute.



Item	Part No.	Model(s)	Part Description	Qty.
1	55506	ALL	HEAT CONTROL	1
2	42798	ALL	LIGHTED ROCKER SWITCH	1
3	55507	ALL	DIGITAL NAMEPLATE	1
4	48616	ALL	DPDT ROCKER SWITCH	1
5	47364	2182	15A CIRCUIT BREAKER	1
	48659	2182X	10A, 277V, CIRCUIT BREAKER	
6	55508	ALL	3DPT TOGGLE SWITCH	1



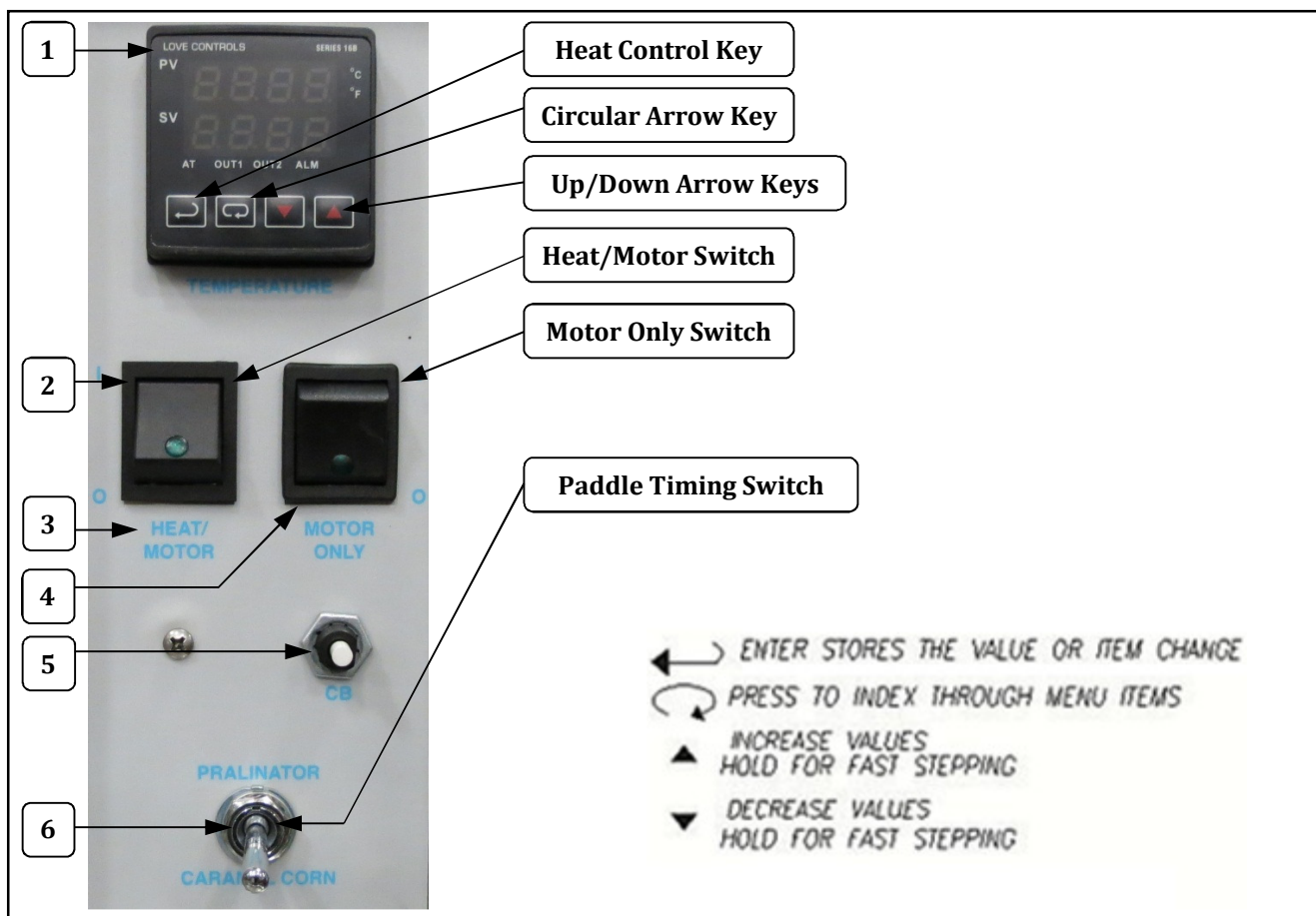
# OPERATING INSTRUCTIONS

## Controls and Their Functions

**Heat/Motor Switch** – This rocker switch in the “On” position energizes the heating elements in the bottom of the kettle. It also activates the agitator motor based on the Pralinator/Corn Treat switch setting (See description below). The Motor Only switch is off when using this switch.

**Motor Only Switch** – With this rocker switch in the “on” position, the agitator motor will run continuously. This switch is used after the corn has been added to the caramel mixture for blending the caramel corn. The Heat/Motor switch is turned off before activating this switch.

**Pralinator/Corn Treat Switch** – This rocker switch in the “Pralinator” position with the motor switch “Off” will run the agitator motor 55 seconds of every minute. In the “Corn Treat” position, the agitator motor will run 30 seconds of every minute.



Item	Part No.	Model(s)	Part Description	Qty.
1	55506	ALL	HEAT CONTROL	1
2	42798	ALL	LIGHTED ROCKER SWITCH	1
3	55507	ALL	DIGITAL NAMEPLATE	1
4	48616	ALL	DPDT ROCKER SWITCH	1
5	47364	2182	15A CIRCUIT BREAKER	1
	48659	2182X	10A, 277V, CIRCUIT BREAKER	
6	55508	ALL	3DPT TOGGLE SWITCH	1



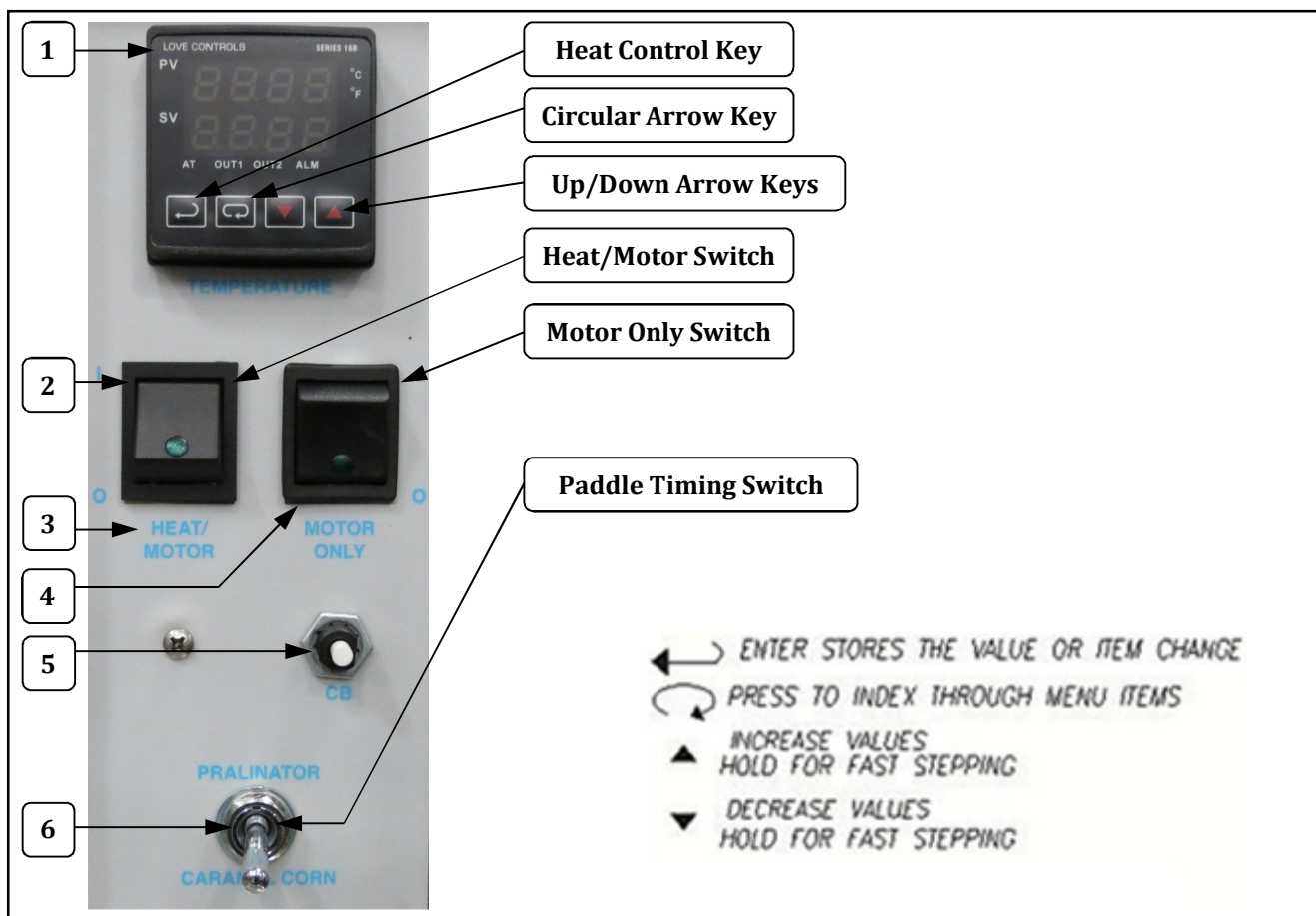
# OPERATING INSTRUCTIONS

## Controls and Their Functions

**Heat/Motor Switch** – This rocker switch in the “On” position energizes the heating elements in the bottom of the kettle. It also activates the agitator motor based on the Pralinator/Corn Treat switch setting (See description below). The Motor Only switch is off when using this switch.

**Motor Only Switch** – With this rocker switch in the “on” position, the agitator motor will run continuously. This switch is used after the corn has been added to the caramel mixture for blending the caramel corn. The Heat/Motor switch is turned off before activating this switch.

**Pralinator/Corn Treat Switch** – This rocker switch in the “Pralinator” position with the motor switch “Off” will run the agitator motor 55 seconds of every minute. In the “Corn Treat” position, the agitator motor will run 30 seconds of every minute.



Item	Part No.	Model(s)	Part Description	Qty.
1	55506	ALL	HEAT CONTROL	1
2	42798	ALL	LIGHTED ROCKER SWITCH	1
3	55507	ALL	DIGITAL NAMEPLATE	1
4	48616	ALL	DPDT ROCKER SWITCH	1
5	47364	2182	15A CIRCUIT BREAKER	1
	48659	2182X	10A, 277V, CIRCUIT BREAKER	
6	55508	ALL	3DPT TOGGLE SWITCH	1



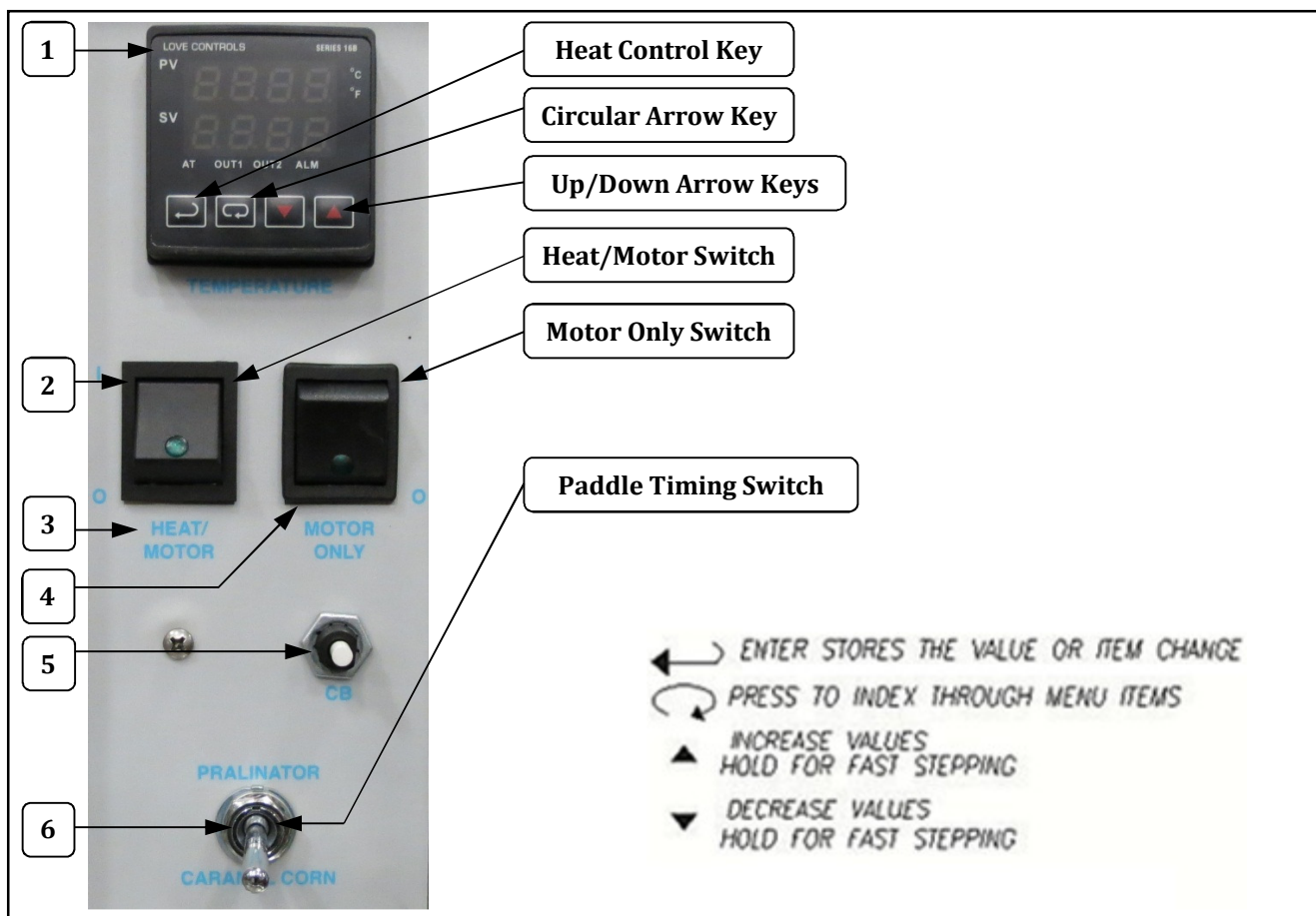
# OPERATING INSTRUCTIONS

## Controls and Their Functions

**Heat/Motor Switch** – This rocker switch in the “On” position energizes the heating elements in the bottom of the kettle. It also activates the agitator motor based on the Pralinator/Corn Treat switch setting (See description below). The Motor Only switch is off when using this switch.

**Motor Only Switch** – With this rocker switch in the “on” position, the agitator motor will run continuously. This switch is used after the corn has been added to the caramel mixture for blending the caramel corn. The Heat/Motor switch is turned off before activating this switch.

**Pralinator/Corn Treat Switch** – This rocker switch in the “Pralinator” position with the motor switch “Off” will run the agitator motor 55 seconds of every minute. In the “Corn Treat” position, the agitator motor will run 30 seconds of every minute.



Item	Part No.	Model(s)	Part Description	Qty.
1	55506	ALL	HEAT CONTROL	1
2	42798	ALL	LIGHTED ROCKER SWITCH	1
3	55507	ALL	DIGITAL NAMEPLATE	1
4	48616	ALL	DPDT ROCKER SWITCH	1
5	47364	2182	15A CIRCUIT BREAKER	1
	48659	2182X	10A, 277V, CIRCUIT BREAKER	
6	55508	ALL	3DPT TOGGLE SWITCH	1



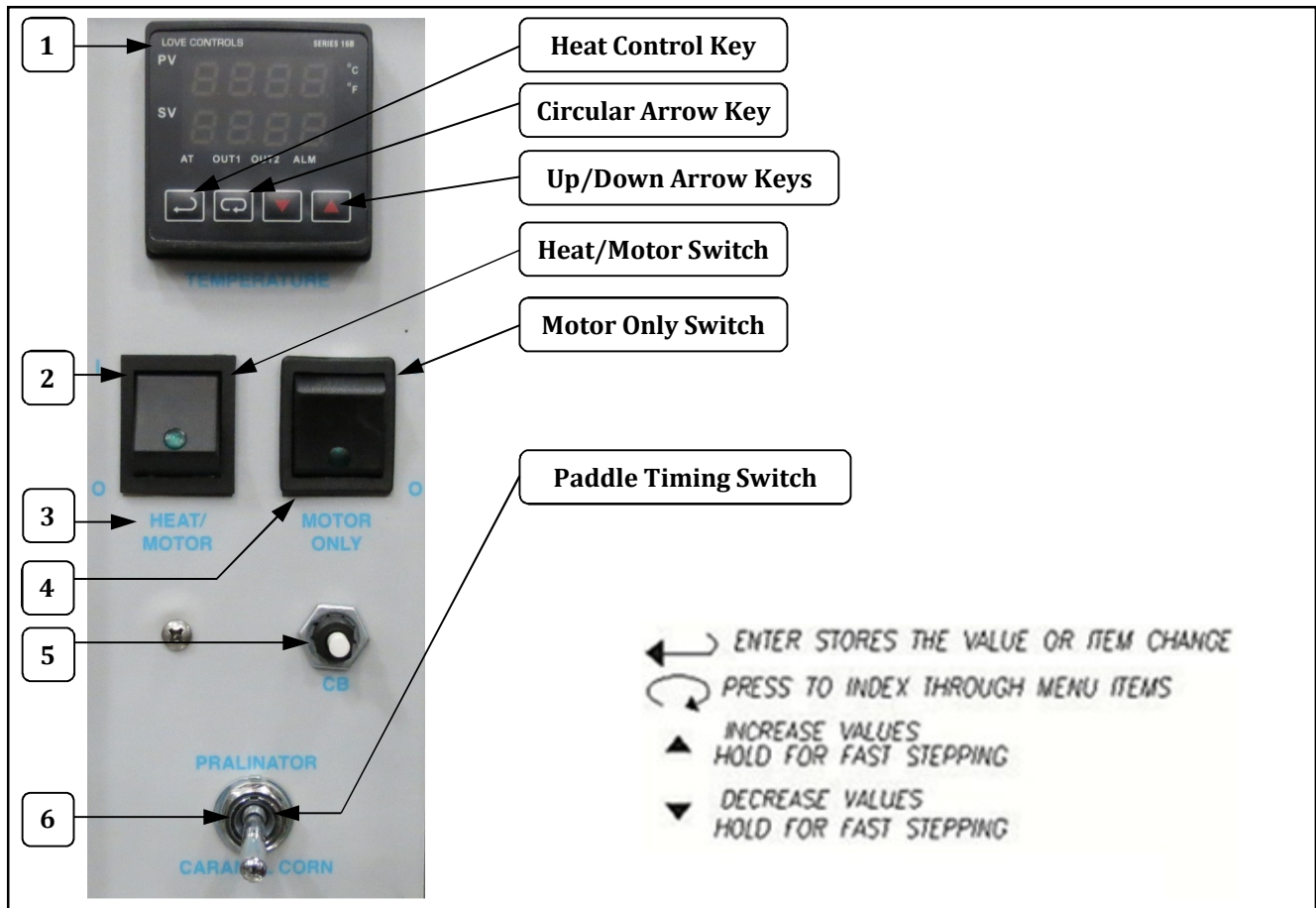
# OPERATING INSTRUCTIONS

## Controls and Their Functions

**Heat/Motor Switch** – This rocker switch in the “On” position energizes the heating elements in the bottom of the kettle. It also activates the agitator motor based on the Pralinator/Corn Treat switch setting (See description below). The Motor Only switch is off when using this switch.

**Motor Only Switch** – With this rocker switch in the “on” position, the agitator motor will run continuously. This switch is used after the corn has been added to the caramel mixture for blending the caramel corn. The Heat/Motor switch is turned off before activating this switch.

**Pralinator/Corn Treat Switch** – This rocker switch in the “Pralinator” position with the motor switch “Off” will run the agitator motor 55 seconds of every minute. In the “Corn Treat” position, the agitator motor will run 30 seconds of every minute.



Item	Part No.	Model(s)	Part Description	Qty.
1	55506	ALL	HEAT CONTROL	1
2	42798	ALL	LIGHTED ROCKER SWITCH	1
3	55507	ALL	DIGITAL NAMEPLATE	1
4	48616	ALL	DPDT ROCKER SWITCH	1
5	47364	2182	15A CIRCUIT BREAKER	1
	48659	2182X	10A, 277V, CIRCUIT BREAKER	
6	55508	ALL	3DPT TOGGLE SWITCH	1



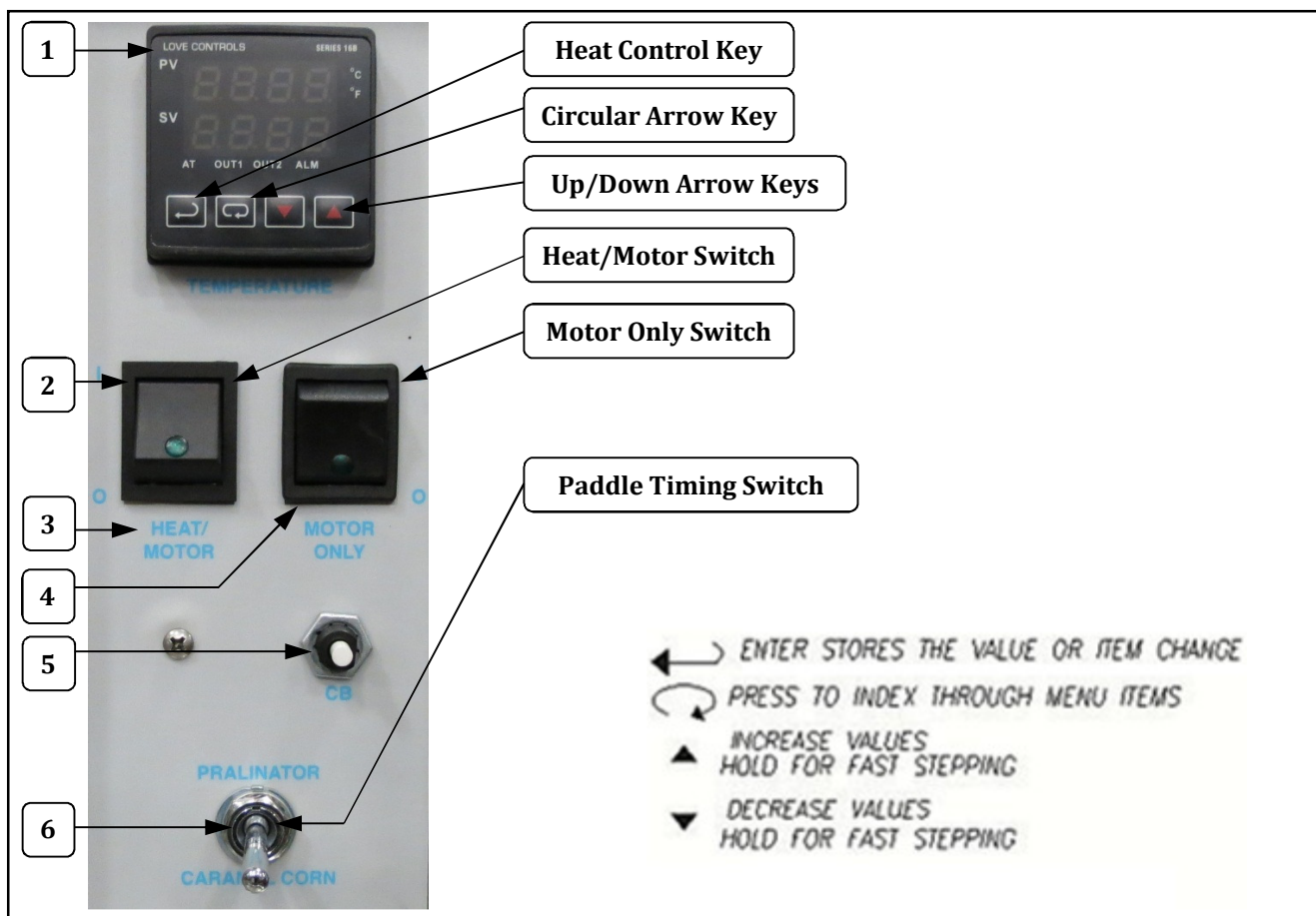
# OPERATING INSTRUCTIONS

## Controls and Their Functions

**Heat/Motor Switch** – This rocker switch in the “On” position energizes the heating elements in the bottom of the kettle. It also activates the agitator motor based on the Pralinator/Corn Treat switch setting (See description below). The Motor Only switch is off when using this switch.

**Motor Only Switch** – With this rocker switch in the “on” position, the agitator motor will run continuously. This switch is used after the corn has been added to the caramel mixture for blending the caramel corn. The Heat/Motor switch is turned off before activating this switch.

**Pralinator/Corn Treat Switch** – This rocker switch in the “Pralinator” position with the motor switch “Off” will run the agitator motor 55 seconds of every minute. In the “Corn Treat” position, the agitator motor will run 30 seconds of every minute.



Item	Part No.	Model(s)	Part Description	Qty.
1	55506	ALL	HEAT CONTROL	1
2	42798	ALL	LIGHTED ROCKER SWITCH	1
3	55507	ALL	DIGITAL NAMEPLATE	1
4	48616	ALL	DPDT ROCKER SWITCH	1
5	47364	2182	15A CIRCUIT BREAKER	1
	48659	2182X	10A, 277V, CIRCUIT BREAKER	
6	55508	ALL	3DPT TOGGLE SWITCH	1

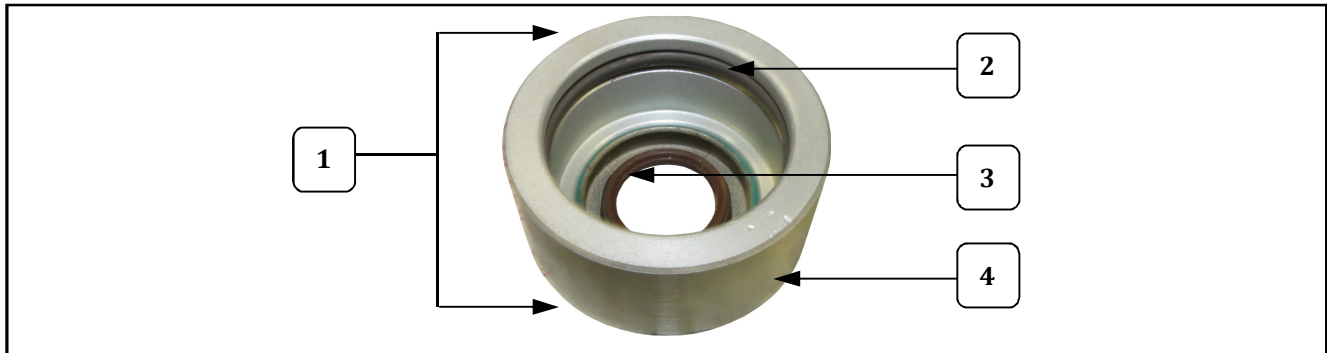


## New Paddle & Hub Seal Kit Installation

1. With the machine OFF, unplug the unit and allow it to cool.
2. Unscrew the wing bolts (Mixing Paddle - Lock Stud assemblies) and remove the mix paddles.
3. Remove the old hub seal assembly.
4. Clean the area around the center hub. Clean up all food and carbon residue.

**Note:** The kettle shaft should be removed monthly and the bushings lubricated with Never Seez® (use White Food Grade **ONLY**). To do this, loosen the (2) set screws in the jaw coupling and remove the shaft. **DO NOT lose the shaft key; this must be reset into place when reassembling.**

5. Remove any burrs on the top edge of the center hub. Use a fine grit emery paper to lightly sand the surface. If the burrs are not removed, damage may occur to the new hub assembly during installation.
6. Lightly lubricate the center hub of the kettle with a small amount of vegetable oil to allow for easy installation of the hub seal assembly.
7. Slide the hub seal assembly down the agitator shaft. Apply pressure to ease the assembly over the center hub of the kettle until it seats properly.
8. After the hub seal assembly has been properly installed, re-install the mix paddles onto the agitator shaft.
9. Replace the wing bolts and finger tighten.



Item	Part No.	Model(s)	Part Description	Qty.
1	<a href="#">46632</a>	ALL	HUB SEAL ASSEMBLY	1
2	<a href="#">46631</a>	ALL	O-RING	1
3	<a href="#">46630</a>	ALL	OIL SEAL	1
4	<a href="#">46629</a>	ALL	HUB BODY	1

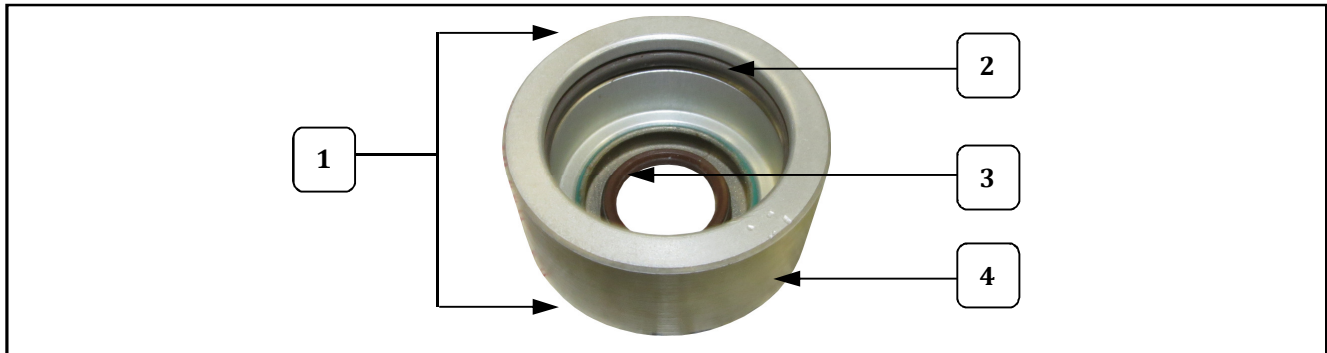


## New Paddle & Hub Seal Kit Installation

1. With the machine OFF, unplug the unit and allow it to cool.
2. Unscrew the wing bolts (Mixing Paddle - Lock Stud assemblies) and remove the mix paddles.
3. Remove the old hub seal assembly.
4. Clean the area around the center hub. Clean up all food and carbon residue.

**Note:** The kettle shaft should be removed monthly and the bushings lubricated with Never Seez® (use White Food Grade **ONLY**). To do this, loosen the (2) set screws in the jaw coupling and remove the shaft. **DO NOT lose the shaft key; this must be reset into place when reassembling.**

5. Remove any burrs on the top edge of the center hub. Use a fine grit emery paper to lightly sand the surface. If the burrs are not removed, damage may occur to the new hub assembly during installation.
6. Lightly lubricate the center hub of the kettle with a small amount of vegetable oil to allow for easy installation of the hub seal assembly.
7. Slide the hub seal assembly down the agitator shaft. Apply pressure to ease the assembly over the center hub of the kettle until it seats properly.
8. After the hub seal assembly has been properly installed, re-install the mix paddles onto the agitator shaft.
9. Replace the wing bolts and finger tighten.



Item	Part No.	Model(s)	Part Description	Qty.
1	<a href="#">46632</a>	ALL	HUB SEAL ASSEMBLY	1
2	<a href="#">46631</a>	ALL	O-RING	1
3	<a href="#">46630</a>	ALL	OIL SEAL	1
4	<a href="#">46629</a>	ALL	HUB BODY	1

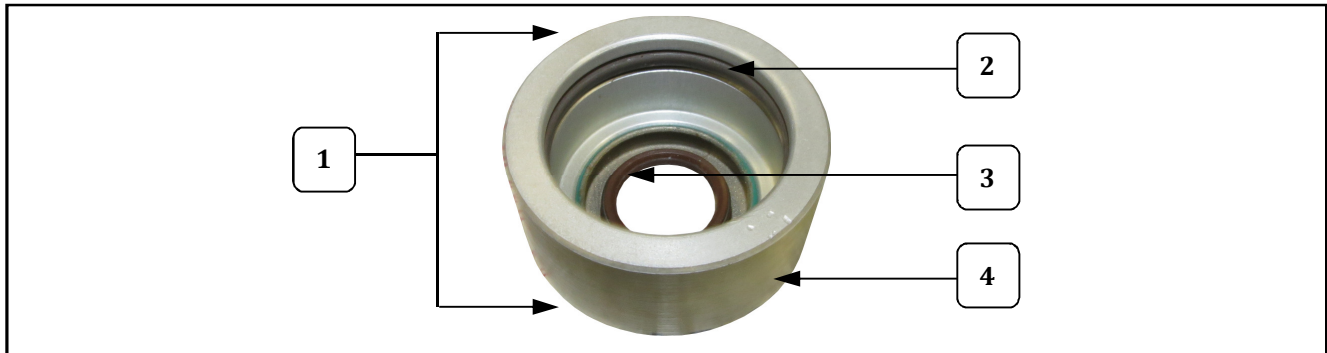


## New Paddle & Hub Seal Kit Installation

1. With the machine OFF, unplug the unit and allow it to cool.
2. Unscrew the wing bolts (Mixing Paddle - Lock Stud assemblies) and remove the mix paddles.
3. Remove the old hub seal assembly.
4. Clean the area around the center hub. Clean up all food and carbon residue.

**Note:** The kettle shaft should be removed monthly and the bushings lubricated with Never Seez® (use White Food Grade **ONLY**). To do this, loosen the (2) set screws in the jaw coupling and remove the shaft. **DO NOT lose the shaft key; this must be reset into place when reassembling.**

5. Remove any burrs on the top edge of the center hub. Use a fine grit emery paper to lightly sand the surface. If the burrs are not removed, damage may occur to the new hub assembly during installation.
6. Lightly lubricate the center hub of the kettle with a small amount of vegetable oil to allow for easy installation of the hub seal assembly.
7. Slide the hub seal assembly down the agitator shaft. Apply pressure to ease the assembly over the center hub of the kettle until it seats properly.
8. After the hub seal assembly has been properly installed, re-install the mix paddles onto the agitator shaft.
9. Replace the wing bolts and finger tighten.



Item	Part No.	Model(s)	Part Description	Qty.
1	<a href="#">46632</a>	ALL	HUB SEAL ASSEMBLY	1
2	<a href="#">46631</a>	ALL	O-RING	1
3	<a href="#">46630</a>	ALL	OIL SEAL	1
4	<a href="#">46629</a>	ALL	HUB BODY	1

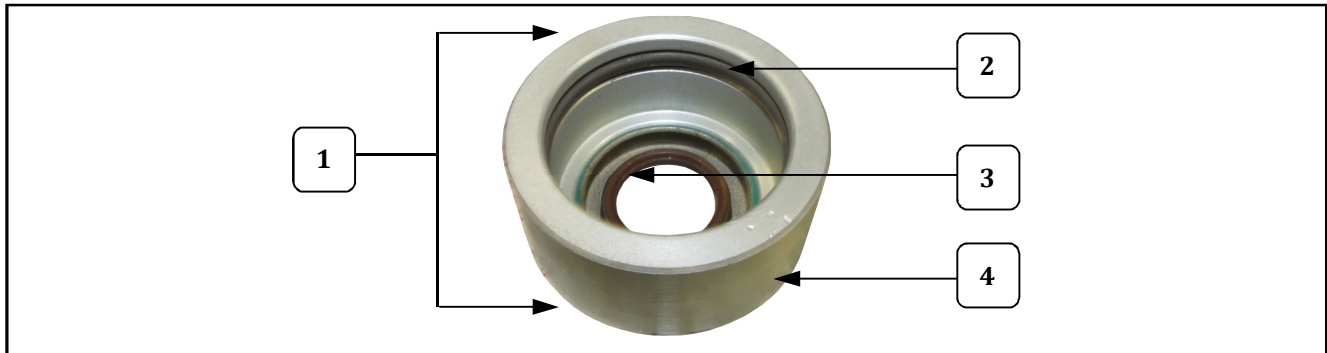


## New Paddle & Hub Seal Kit Installation

1. With the machine OFF, unplug the unit and allow it to cool.
2. Unscrew the wing bolts (Mixing Paddle - Lock Stud assemblies) and remove the mix paddles.
3. Remove the old hub seal assembly.
4. Clean the area around the center hub. Clean up all food and carbon residue.

**Note:** The kettle shaft should be removed monthly and the bushings lubricated with Never Seez® (use White Food Grade **ONLY**). To do this, loosen the (2) set screws in the jaw coupling and remove the shaft. **DO NOT lose the shaft key; this must be reset into place when reassembling.**

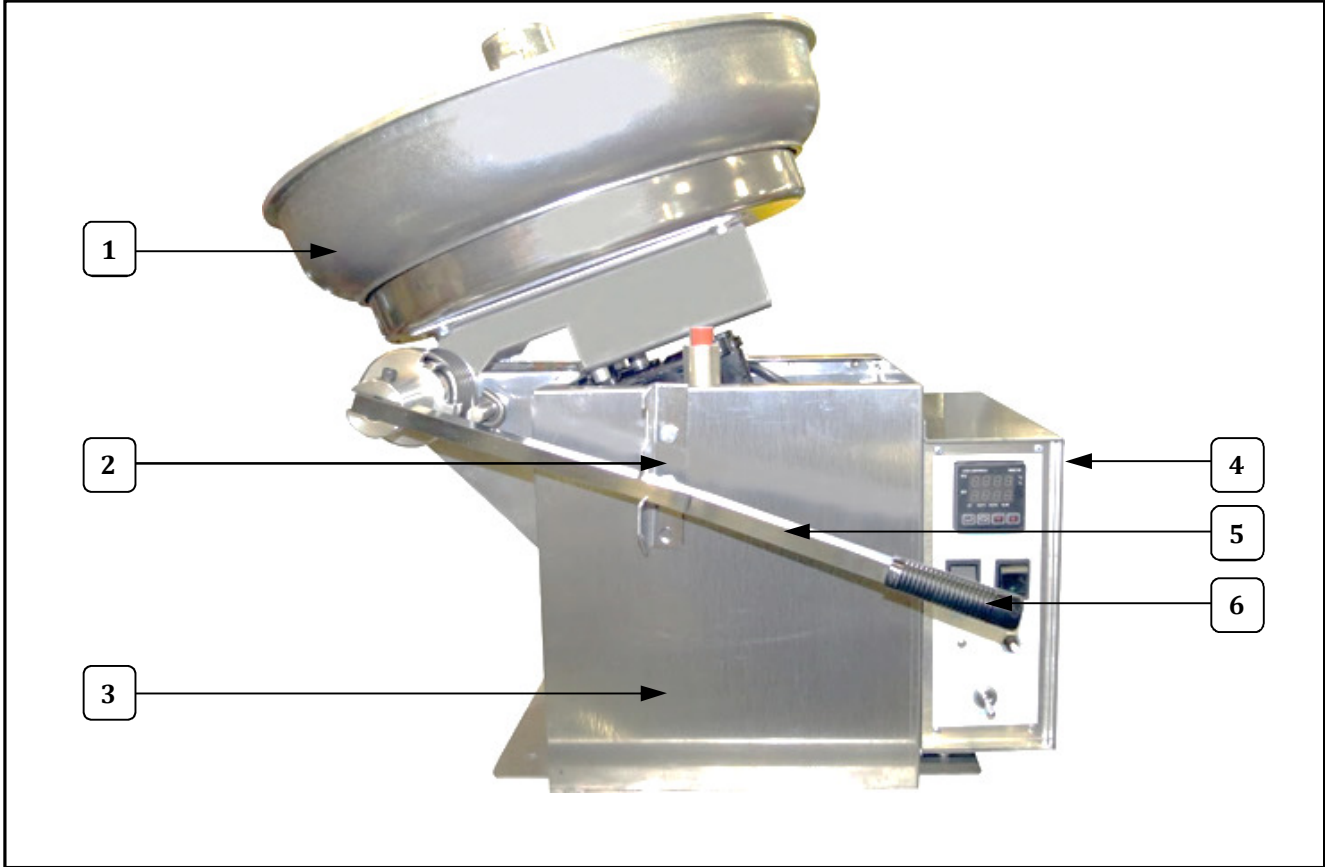
5. Remove any burrs on the top edge of the center hub. Use a fine grit emery paper to lightly sand the surface. If the burrs are not removed, damage may occur to the new hub assembly during installation.
6. Lightly lubricate the center hub of the kettle with a small amount of vegetable oil to allow for easy installation of the hub seal assembly.
7. Slide the hub seal assembly down the agitator shaft. Apply pressure to ease the assembly over the center hub of the kettle until it seats properly.
8. After the hub seal assembly has been properly installed, re-install the mix paddles onto the agitator shaft.
9. Replace the wing bolts and finger tighten.



Item	Part No.	Model(s)	Part Description	Qty.
1	<a href="#">46632</a>	ALL	HUB SEAL ASSEMBLY	1
2	<a href="#">46631</a>	ALL	O-RING	1
3	<a href="#">46630</a>	ALL	OIL SEAL	1
4	<a href="#">46629</a>	ALL	HUB BODY	1



## Cabinet Exterior

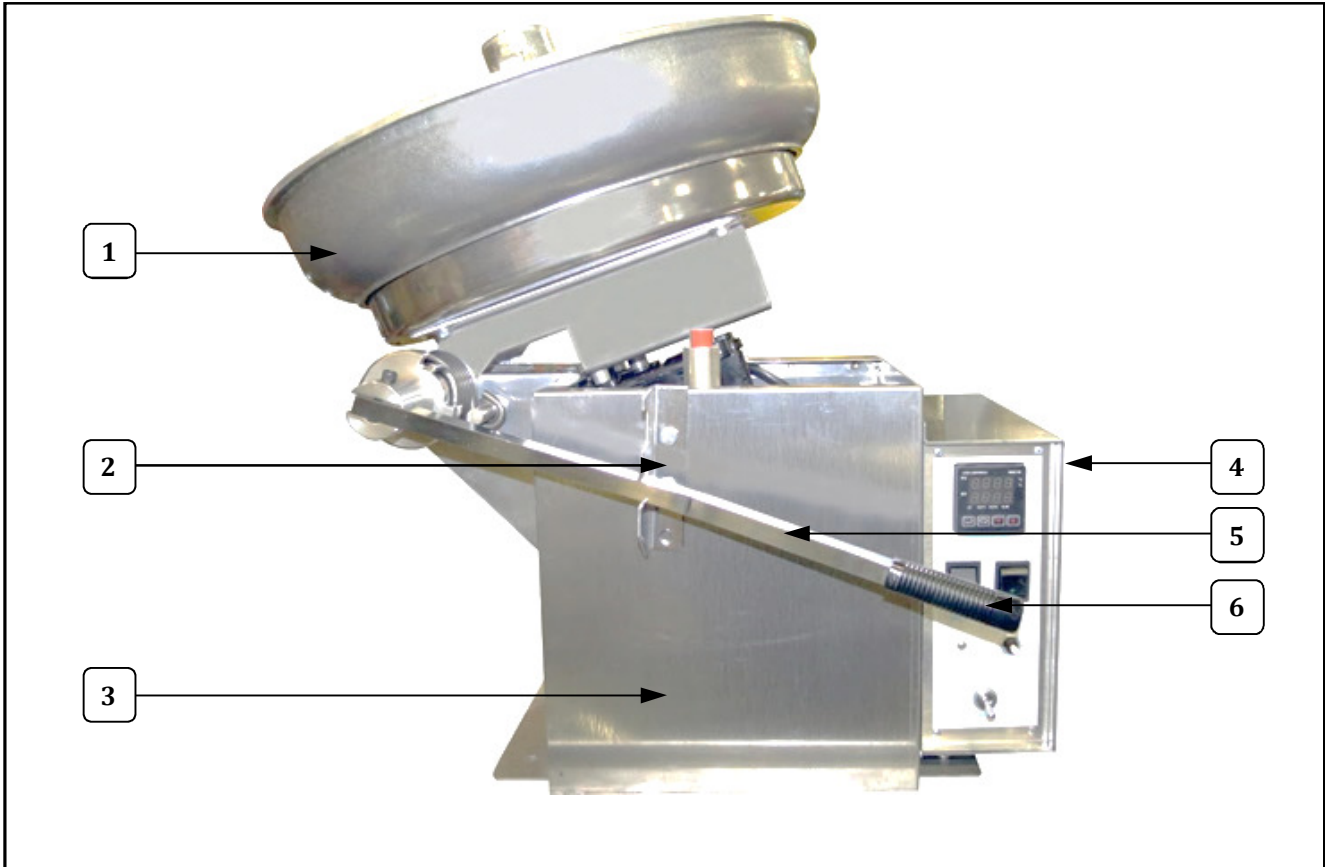


Item	Part No.	Model(s)	Part Description	Qty.
1	68015G	2182EL/ER	KETTLE ASSEMBLY	1
	68015XE	2182XL/XR	KETTLE ASSEMBLY	
2	46153	ALL	2 POSITION BRACKET	1
3	48685	ALL	PEDESTAL WELDED ASSEMBLY	1
4	55538	ALL	DIGITAL CONTROL BOX ASSEMBLY	1
5	46006	ALL	TILT LEVER	1
6	46028	ALL	HANDLE BAR GRIP	1

Accessories		
Item	Part No.	Model(s)
1	2071	ALUM SCOOP
2	46125	WHITE STORAGE BUCKET
3	46210	BOWL SCRAPER
4	46466	1 QUART MEASURE
5	62807	2 CUPS ACRYLIC MEASURE



## Cabinet Exterior

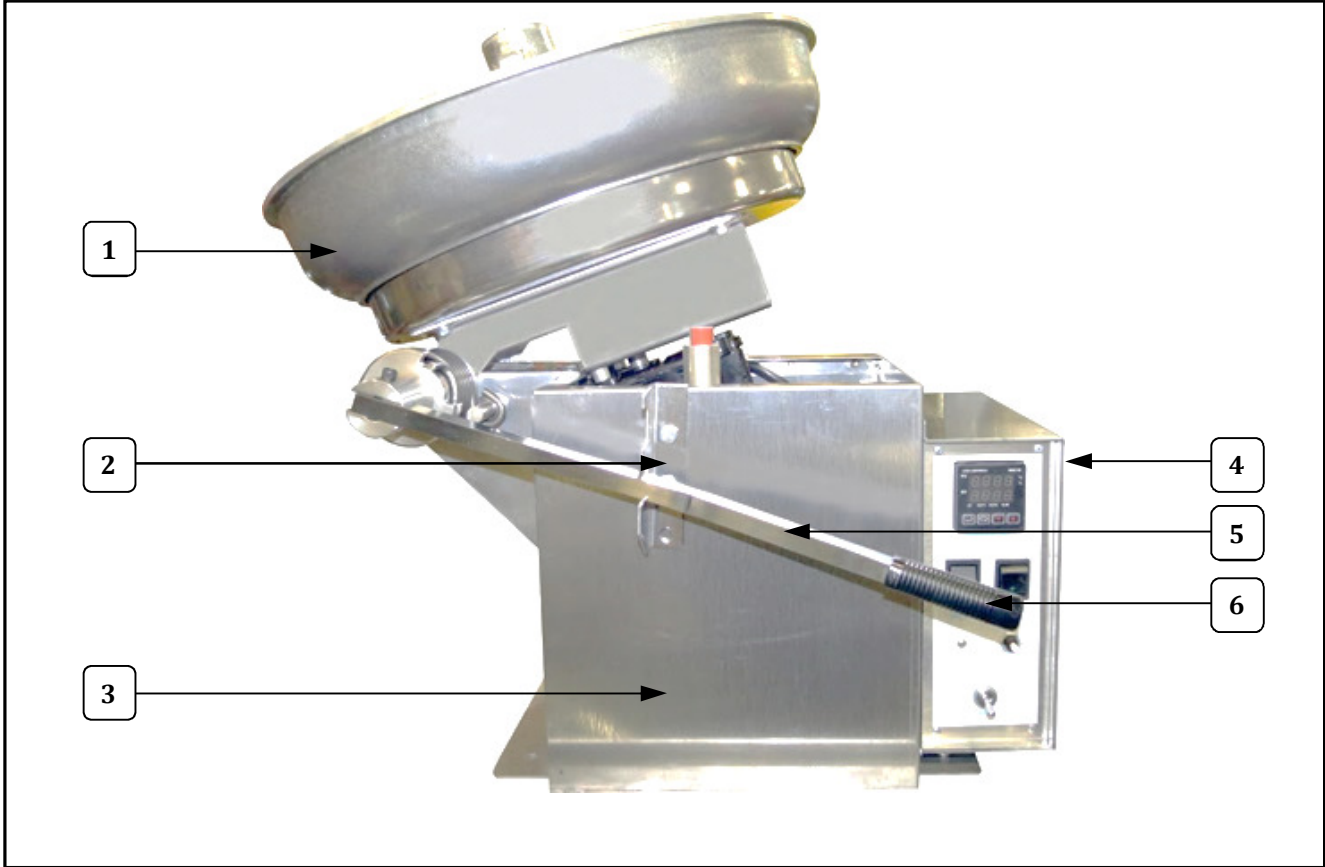


Item	Part No.	Model(s)	Part Description	Qty.
1	68015G	2182EL/ER	KETTLE ASSEMBLY	1
	68015XE	2182XL/XR	KETTLE ASSEMBLY	
2	46153	ALL	2 POSITION BRACKET	1
3	48685	ALL	PEDESTAL WELDED ASSEMBLY	1
4	55538	ALL	DIGITAL CONTROL BOX ASSEMBLY	1
5	46006	ALL	TILT LEVER	1
6	46028	ALL	HANDLE BAR GRIP	1

Accessories		
Item	Part No.	Model(s)
1	2071	ALUM SCOOP
2	46125	WHITE STORAGE BUCKET
3	46210	BOWL SCRAPER
4	46466	1 QUART MEASURE
5	62807	2 CUPS ACRYLIC MEASURE



## Cabinet Exterior

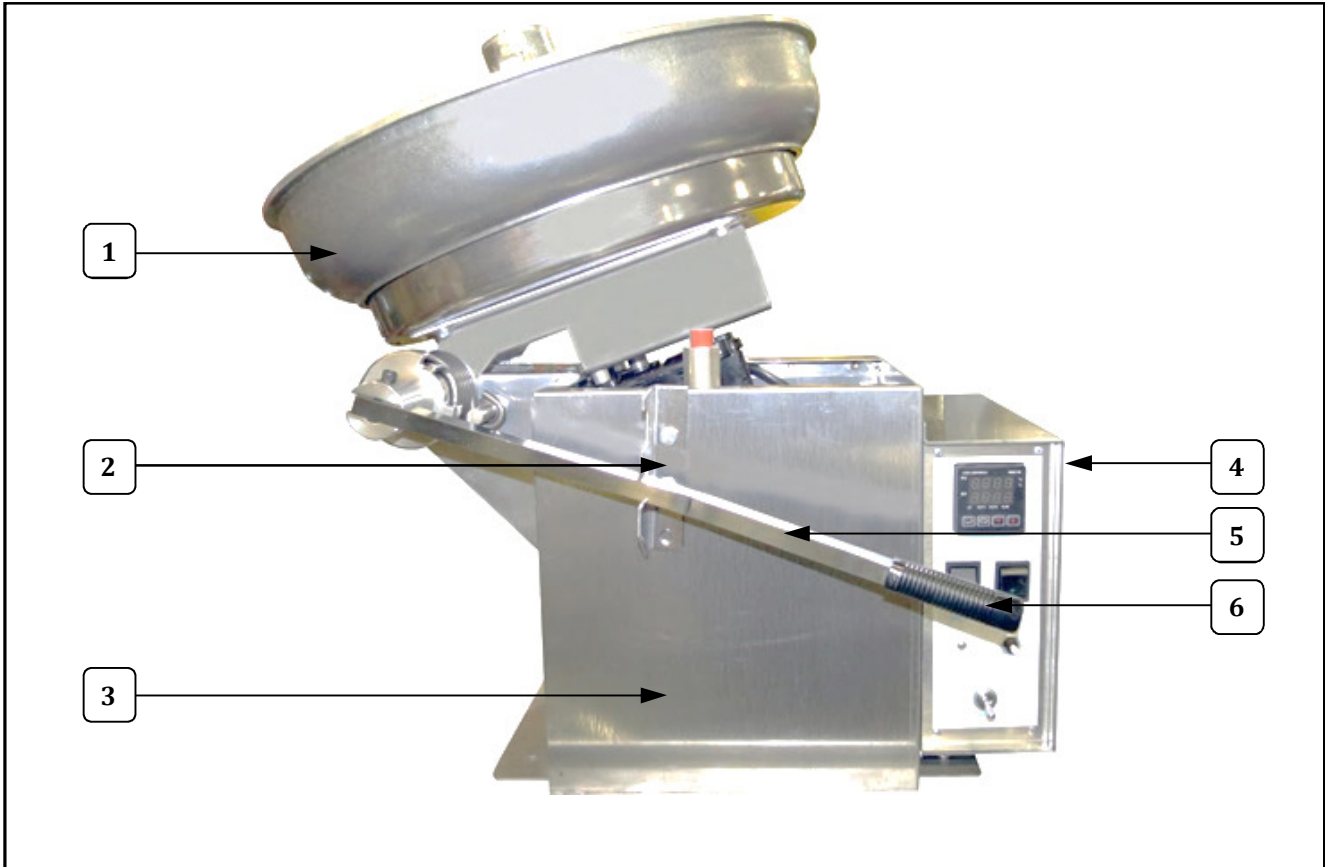


Item	Part No.	Model(s)	Part Description	Qty.
1	68015G	2182EL/ER	KETTLE ASSEMBLY	1
	68015XE	2182XL/XR	KETTLE ASSEMBLY	
2	46153	ALL	2 POSITION BRACKET	1
3	48685	ALL	PEDESTAL WELDED ASSEMBLY	1
4	55538	ALL	DIGITAL CONTROL BOX ASSEMBLY	1
5	46006	ALL	TILT LEVER	1
6	46028	ALL	HANDLE BAR GRIP	1

Accessories		
Item	Part No.	Model(s)
1	2071	ALUM SCOOP
2	46125	WHITE STORAGE BUCKET
3	46210	BOWL SCRAPER
4	46466	1 QUART MEASURE
5	62807	2 CUPS ACRYLIC MEASURE



## Cabinet Exterior

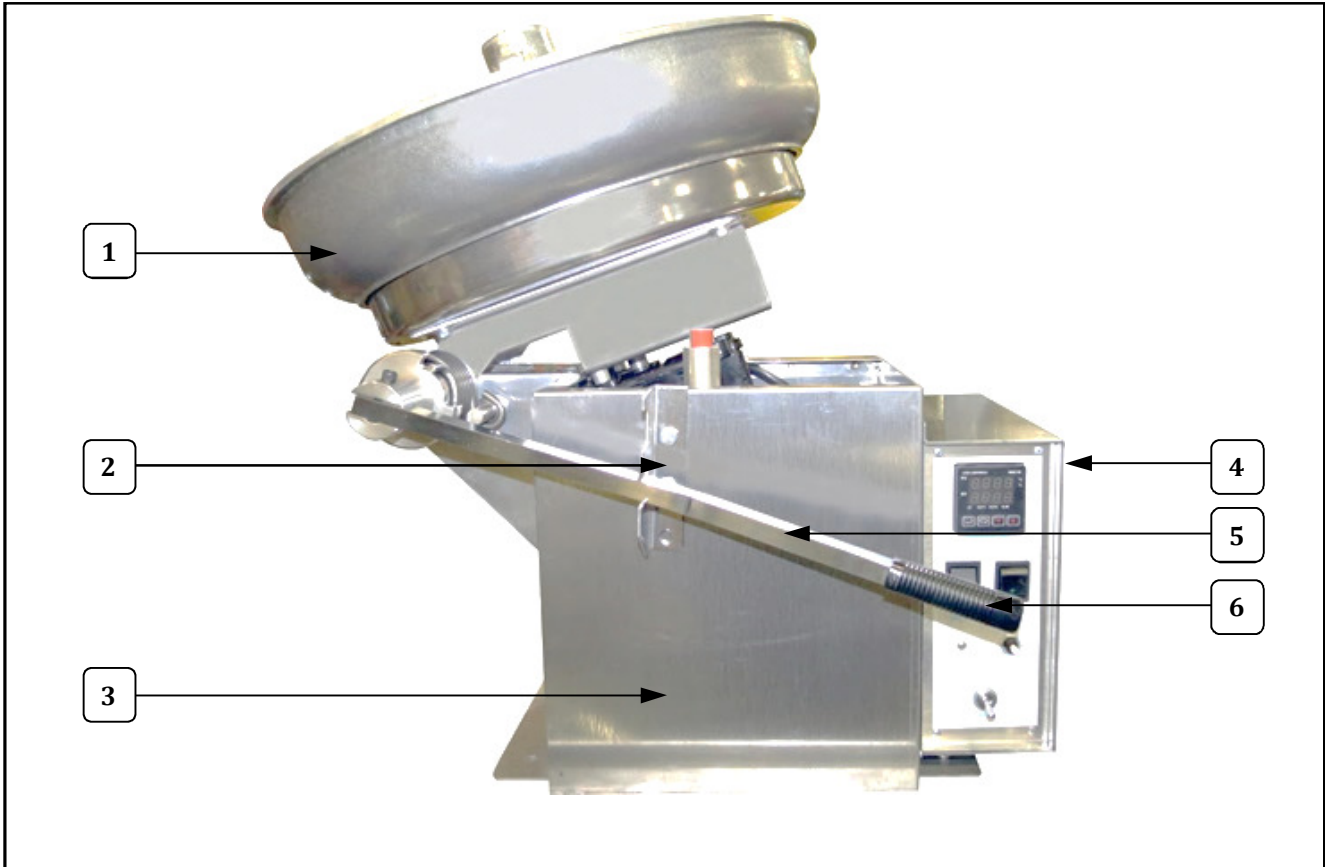


Item	Part No.	Model(s)	Part Description	Qty.
1	68015G	2182EL/ER	KETTLE ASSEMBLY	1
	68015XE	2182XL/XR	KETTLE ASSEMBLY	
2	46153	ALL	2 POSITION BRACKET	1
3	48685	ALL	PEDESTAL WELDED ASSEMBLY	1
4	55538	ALL	DIGITAL CONTROL BOX ASSEMBLY	1
5	46006	ALL	TILT LEVER	1
6	46028	ALL	HANDLE BAR GRIP	1

Accessories		
Item	Part No.	Model(s)
1	2071	ALUM SCOOP
2	46125	WHITE STORAGE BUCKET
3	46210	BOWL SCRAPER
4	46466	1 QUART MEASURE
5	62807	2 CUPS ACRYLIC MEASURE



## Cabinet Exterior

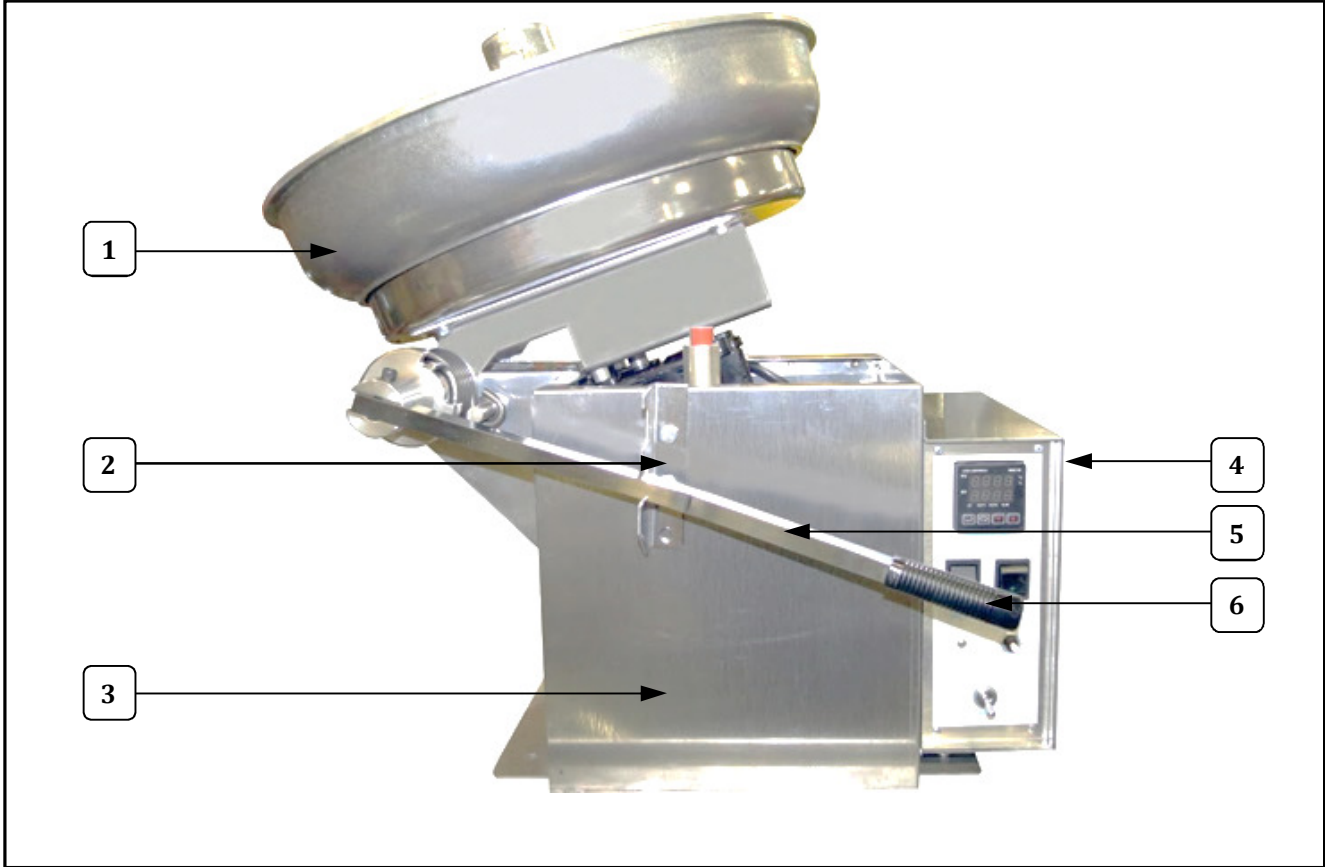


Item	Part No.	Model(s)	Part Description	Qty.
1	68015G	2182EL/ER	KETTLE ASSEMBLY	1
	68015XE	2182XL/XR	KETTLE ASSEMBLY	
2	46153	ALL	2 POSITION BRACKET	1
3	48685	ALL	PEDESTAL WELDED ASSEMBLY	1
4	55538	ALL	DIGITAL CONTROL BOX ASSEMBLY	1
5	46006	ALL	TILT LEVER	1
6	46028	ALL	HANDLE BAR GRIP	1

Accessories		
Item	Part No.	Model(s)
1	2071	ALUM SCOOP
2	46125	WHITE STORAGE BUCKET
3	46210	BOWL SCRAPER
4	46466	1 QUART MEASURE
5	62807	2 CUPS ACRYLIC MEASURE



## Cabinet Exterior

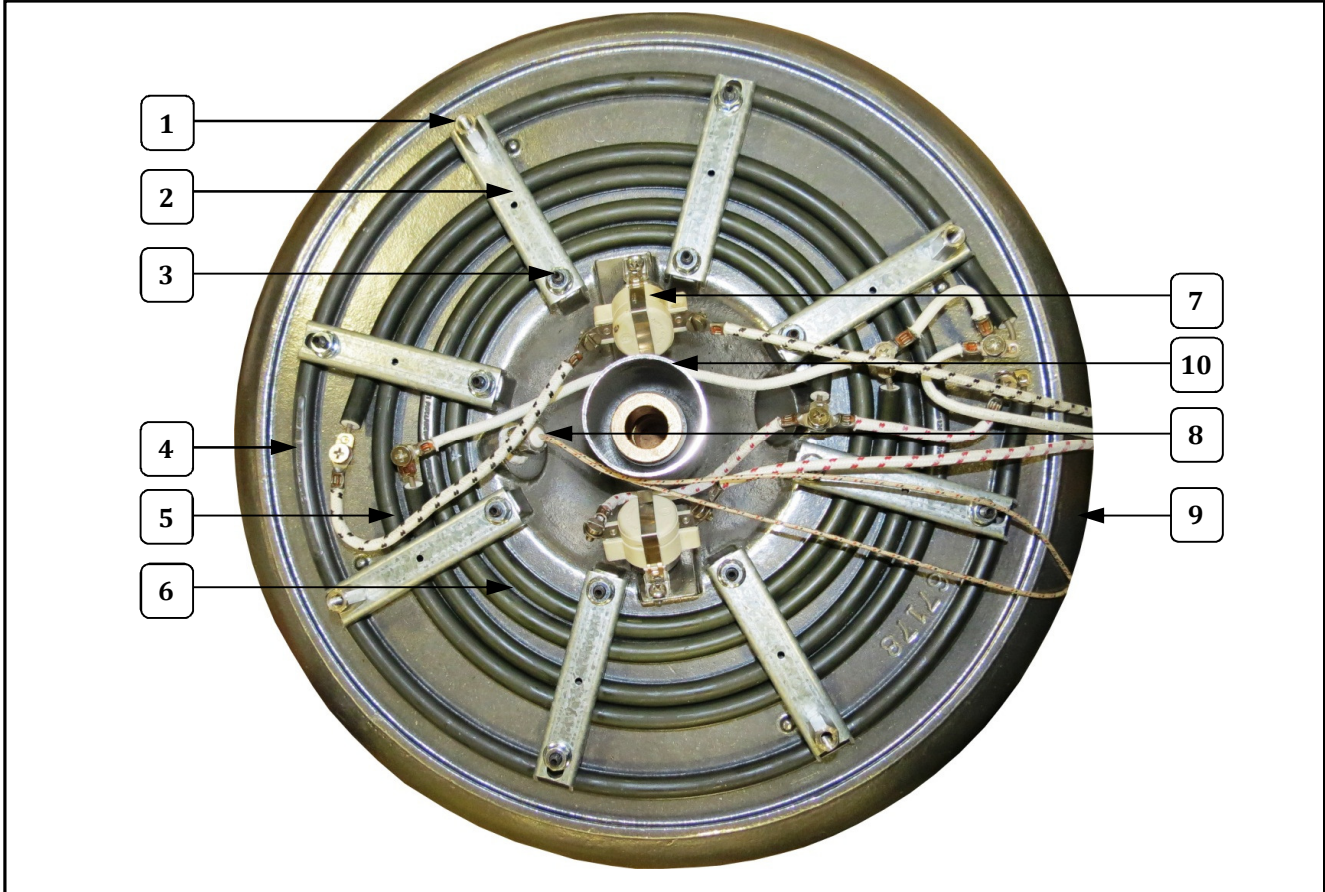


Item	Part No.	Model(s)	Part Description	Qty.
1	68015G	2182EL/ER	KETTLE ASSEMBLY	1
	68015XE	2182XL/XR	KETTLE ASSEMBLY	
2	46153	ALL	2 POSITION BRACKET	1
3	48685	ALL	PEDESTAL WELDED ASSEMBLY	1
4	55538	ALL	DIGITAL CONTROL BOX ASSEMBLY	1
5	46006	ALL	TILT LEVER	1
6	46028	ALL	HANDLE BAR GRIP	1

Accessories		
Item	Part No.	Model(s)
1	2071	ALUM SCOOP
2	46125	WHITE STORAGE BUCKET
3	46210	BOWL SCRAPER
4	46466	1 QUART MEASURE
5	62807	2 CUPS ACRYLIC MEASURE



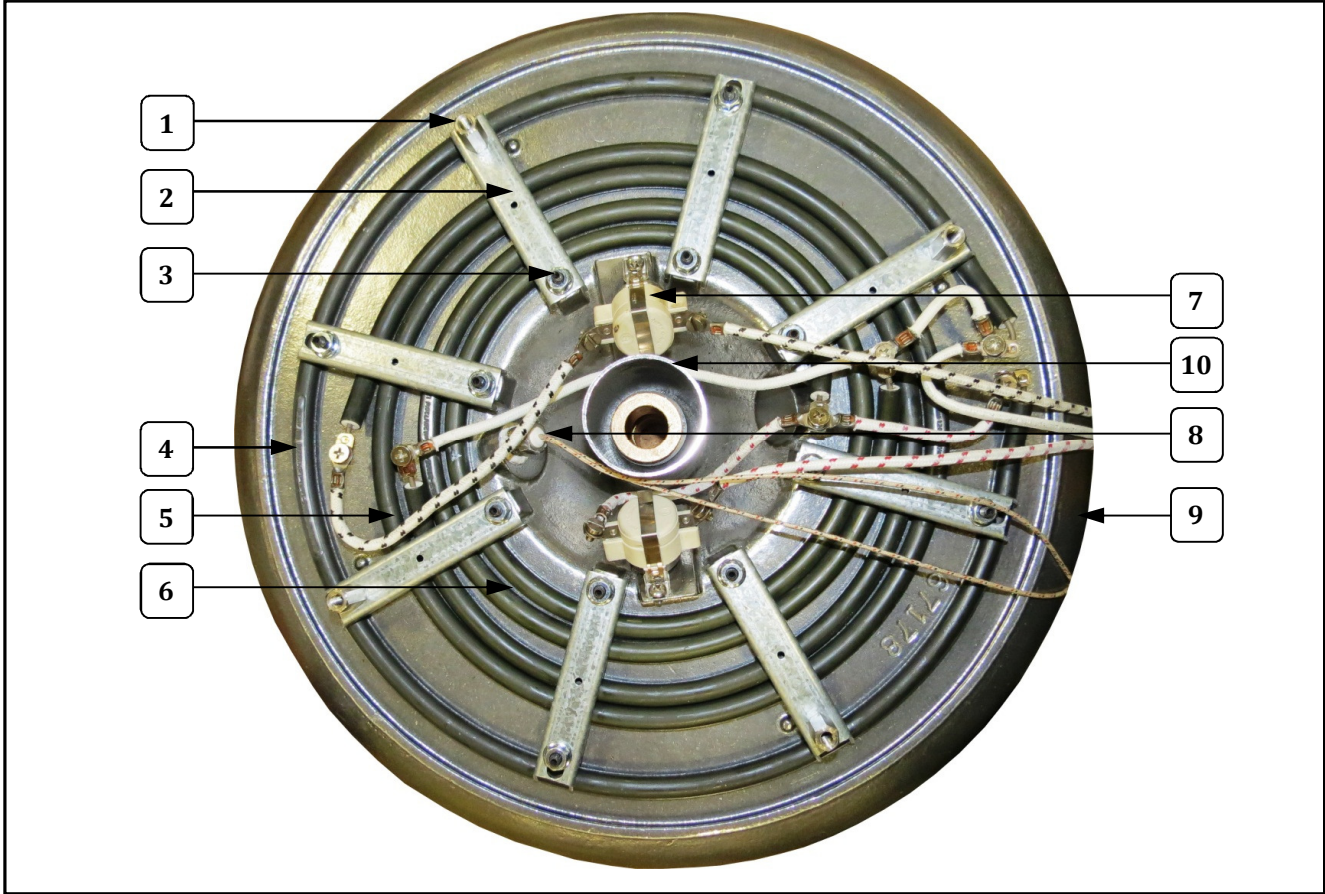
## Kettle Electronics



Item	Part No.	Model(s)	Part Description	Qty.
1	<a href="#">12889</a>	ALL	11/16" STANDOFF	4
2	<a href="#">67174</a>	ALL	ELEMENT RETAINER BRACKET	8
3	<a href="#">46327</a>	ALL	10-24 x 1 IN STUD W/NUTS	12
4	<a href="#">41536</a>	2182EL/ER	HEAT ELEMENT 120V 1000W	1
	<a href="#">41538</a>	2182XL/XR	HEAT ELEMENT 240V 1000W	
5	<a href="#">55279</a>	2182EL/ER	TUBULAR ELEMENT, 720W	1
	<a href="#">67148</a>	2182XL/XR	HEAT ELEMENT 240V 220W	
6	<a href="#">48800</a>	2182EL/ER	TUBULAR ELEMENT, 1500W	1
	<a href="#">40379</a>	2182XL/XR	HEAT ELEMENT 240V 2000W	
7	<a href="#">82219</a>	ALL	L-510 KETTLE THERMOSTAT	2
8	<a href="#">68010</a>	ALL	RTD HEAT SENSOR	1
9	<a href="#">46280</a>	ALL	CORN TREAT CENTER KETTLE	1
10	<a href="#">12581</a>	ALL	SHAFT COVER	1



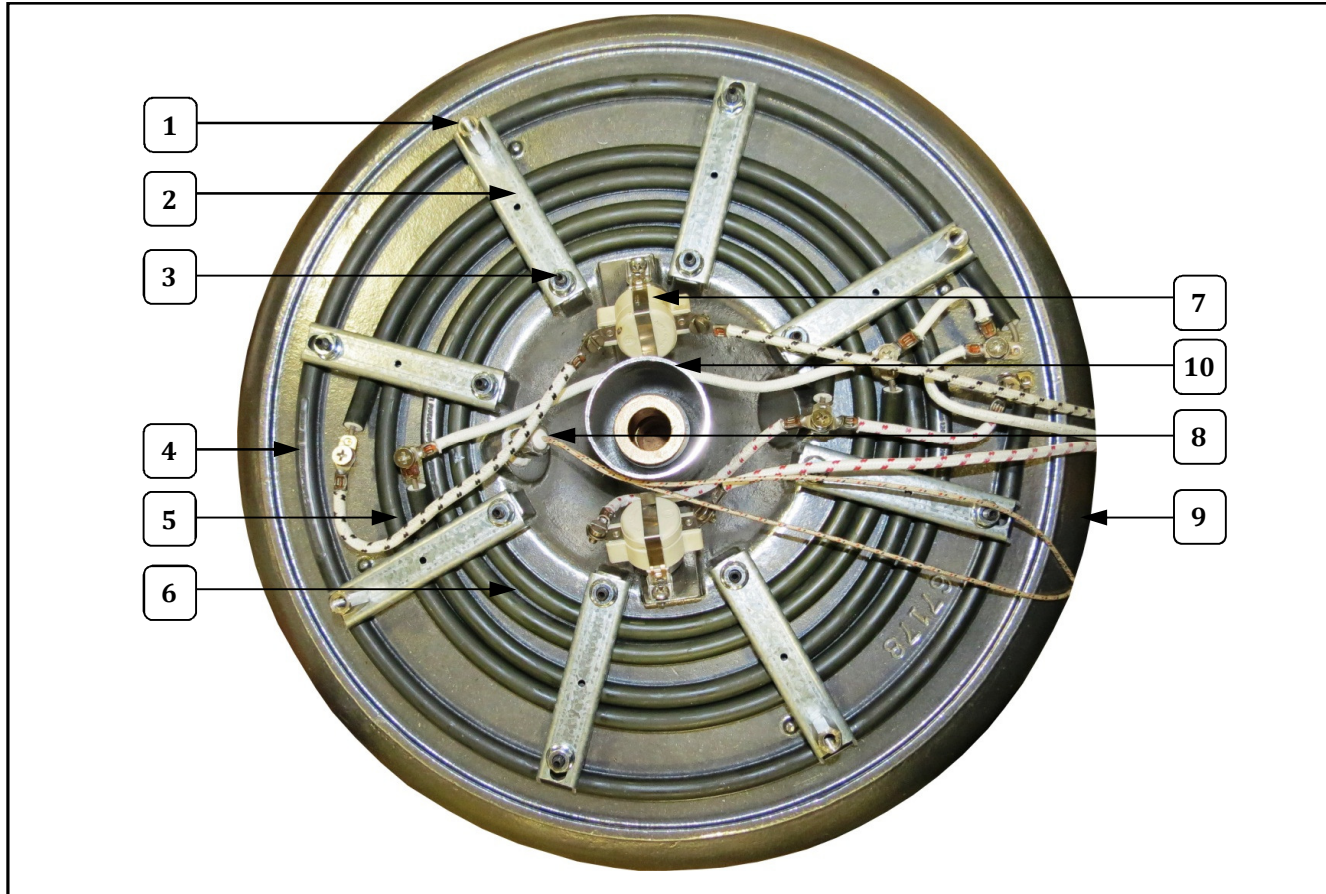
## Kettle Electronics



Item	Part No.	Model(s)	Part Description	Qty.
1	<a href="#">12889</a>	ALL	11/16" STANDOFF	4
2	<a href="#">67174</a>	ALL	ELEMENT RETAINER BRACKET	8
3	<a href="#">46327</a>	ALL	10-24 x 1 IN STUD W/NUTS	12
4	<a href="#">41536</a>	2182EL/ER	HEAT ELEMENT 120V 1000W	1
	<a href="#">41538</a>	2182XL/XR	HEAT ELEMENT 240V 1000W	
5	<a href="#">55279</a>	2182EL/ER	TUBULAR ELEMENT, 720W	1
	<a href="#">67148</a>	2182XL/XR	HEAT ELEMENT 240V 220W	
6	<a href="#">48800</a>	2182EL/ER	TUBULAR ELEMENT, 1500W	1
	<a href="#">40379</a>	2182XL/XR	HEAT ELEMENT 240V 2000W	
7	<a href="#">82219</a>	ALL	L-510 KETTLE THERMOSTAT	2
8	<a href="#">68010</a>	ALL	RTD HEAT SENSOR	1
9	<a href="#">46280</a>	ALL	CORN TREAT CENTER KETTLE	1
10	<a href="#">12581</a>	ALL	SHAFT COVER	1



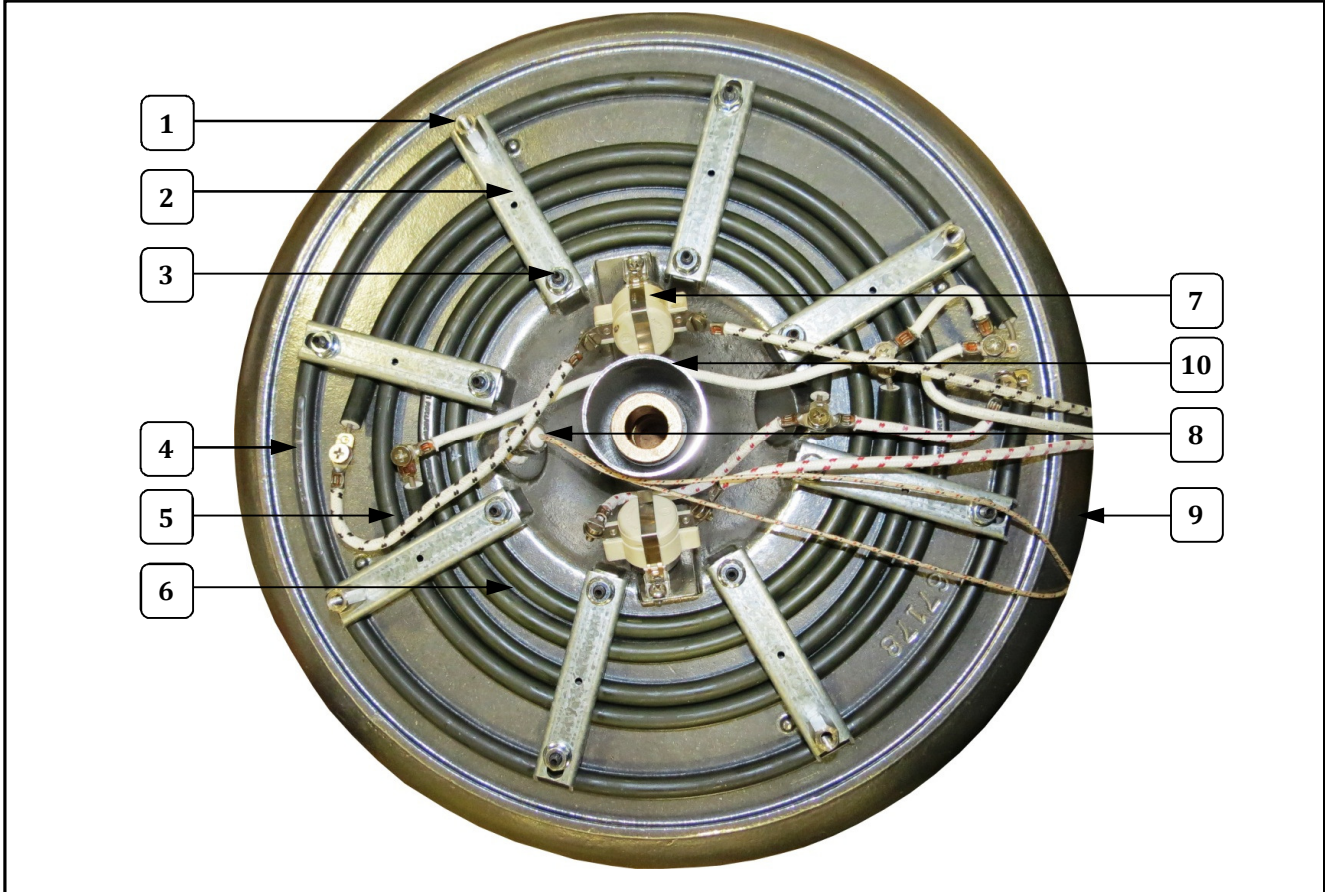
## Kettle Electronics



Item	Part No.	Model(s)	Part Description	Qty.
1	<a href="#">12889</a>	ALL	11/16" STANDOFF	4
2	<a href="#">67174</a>	ALL	ELEMENT RETAINER BRACKET	8
3	<a href="#">46327</a>	ALL	10-24 x 1 IN STUD W/NUTS	12
4	<a href="#">41536</a>	2182EL/ER	HEAT ELEMENT 120V 1000W	1
	<a href="#">41538</a>	2182XL/XR	HEAT ELEMENT 240V 1000W	
5	<a href="#">55279</a>	2182EL/ER	TUBULAR ELEMENT, 720W	1
	<a href="#">67148</a>	2182XL/XR	HEAT ELEMENT 240V 220W	
6	<a href="#">48800</a>	2182EL/ER	TUBULAR ELEMENT, 1500W	1
	<a href="#">40379</a>	2182XL/XR	HEAT ELEMENT 240V 2000W	
7	<a href="#">82219</a>	ALL	L-510 KETTLE THERMOSTAT	2
8	<a href="#">68010</a>	ALL	RTD HEAT SENSOR	1
9	<a href="#">46280</a>	ALL	CORN TREAT CENTER KETTLE	1
10	<a href="#">12581</a>	ALL	SHAFT COVER	1



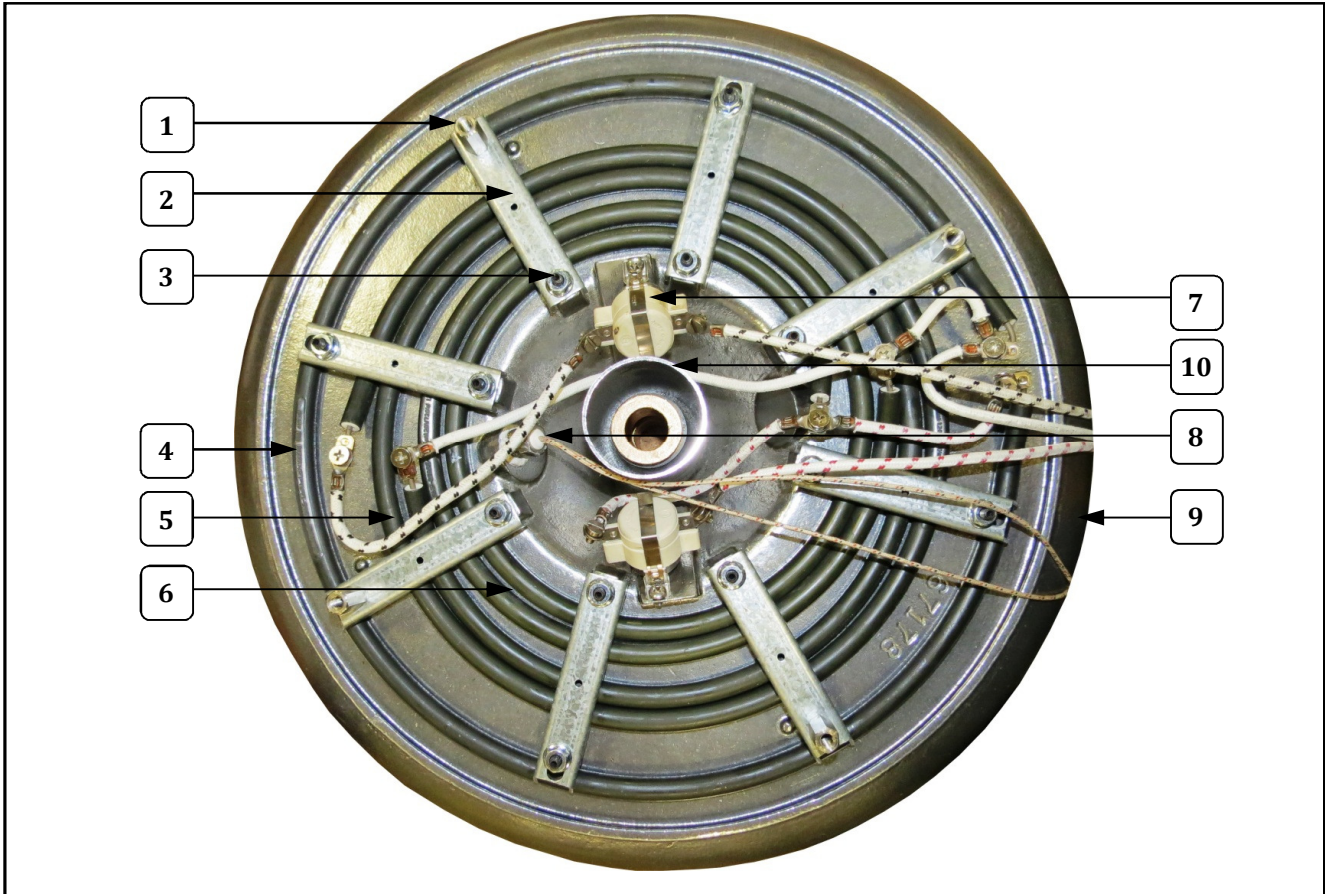
## Kettle Electronics



Item	Part No.	Model(s)	Part Description	Qty.
1	<a href="#">12889</a>	ALL	11/16" STANDOFF	4
2	<a href="#">67174</a>	ALL	ELEMENT RETAINER BRACKET	8
3	<a href="#">46327</a>	ALL	10-24 x 1 IN STUD W/NUTS	12
4	<a href="#">41536</a>	2182EL/ER	HEAT ELEMENT 120V 1000W	1
	<a href="#">41538</a>	2182XL/XR	HEAT ELEMENT 240V 1000W	
5	<a href="#">55279</a>	2182EL/ER	TUBULAR ELEMENT, 720W	1
	<a href="#">67148</a>	2182XL/XR	HEAT ELEMENT 240V 220W	
6	<a href="#">48800</a>	2182EL/ER	TUBULAR ELEMENT, 1500W	1
	<a href="#">40379</a>	2182XL/XR	HEAT ELEMENT 240V 2000W	
7	<a href="#">82219</a>	ALL	L-510 KETTLE THERMOSTAT	2
8	<a href="#">68010</a>	ALL	RTD HEAT SENSOR	1
9	<a href="#">46280</a>	ALL	CORN TREAT CENTER KETTLE	1
10	<a href="#">12581</a>	ALL	SHAFT COVER	1



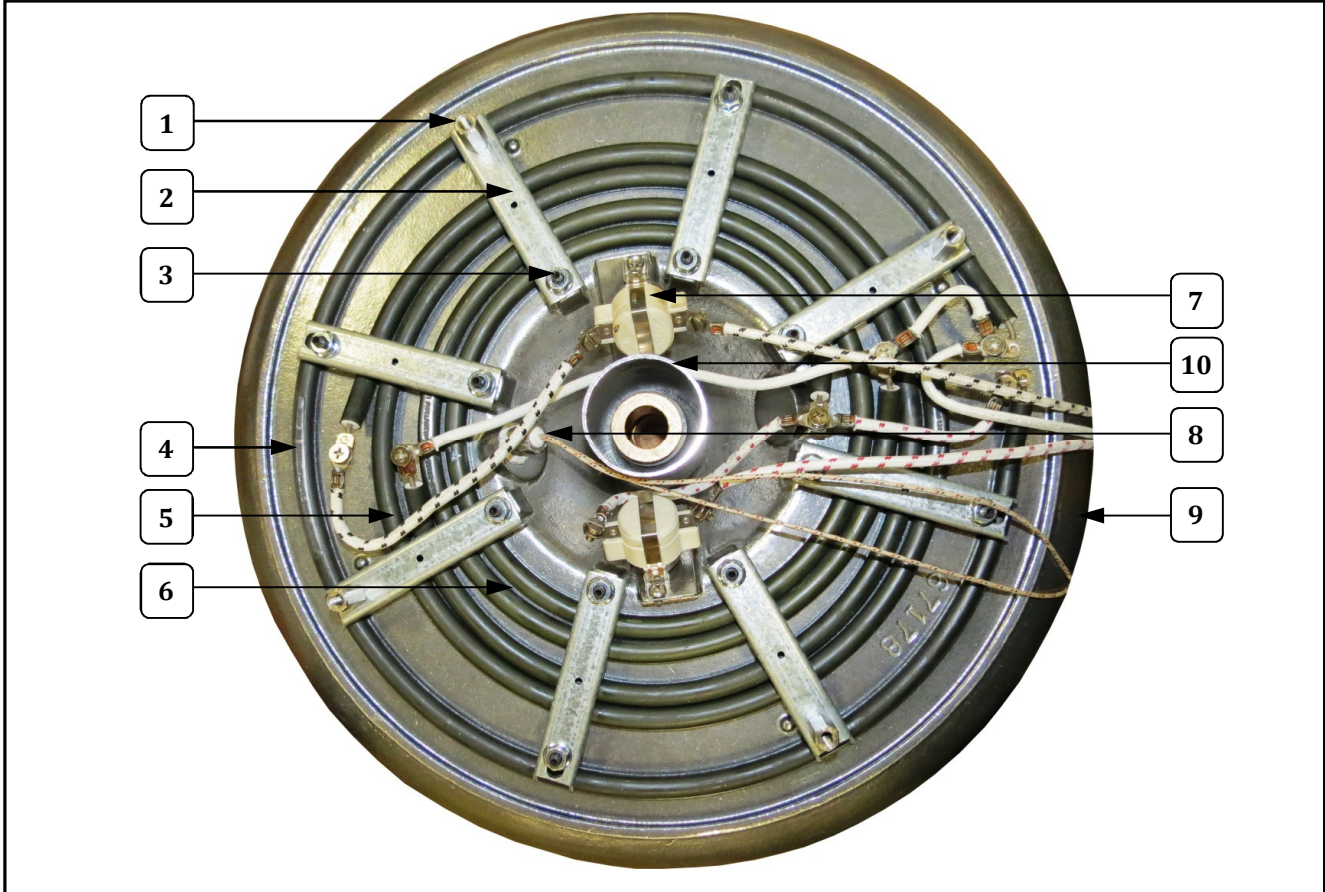
## Kettle Electronics



Item	Part No.	Model(s)	Part Description	Qty.
1	<a href="#">12889</a>	ALL	11/16" STANDOFF	4
2	<a href="#">67174</a>	ALL	ELEMENT RETAINER BRACKET	8
3	<a href="#">46327</a>	ALL	10-24 x 1 IN STUD W/NUTS	12
4	<a href="#">41536</a>	2182EL/ER	HEAT ELEMENT 120V 1000W	1
	<a href="#">41538</a>	2182XL/XR	HEAT ELEMENT 240V 1000W	
5	<a href="#">55279</a>	2182EL/ER	TUBULAR ELEMENT, 720W	1
	<a href="#">67148</a>	2182XL/XR	HEAT ELEMENT 240V 220W	
6	<a href="#">48800</a>	2182EL/ER	TUBULAR ELEMENT, 1500W	1
	<a href="#">40379</a>	2182XL/XR	HEAT ELEMENT 240V 2000W	
7	<a href="#">82219</a>	ALL	L-510 KETTLE THERMOSTAT	2
8	<a href="#">68010</a>	ALL	RTD HEAT SENSOR	1
9	<a href="#">46280</a>	ALL	CORN TREAT CENTER KETTLE	1
10	<a href="#">12581</a>	ALL	SHAFT COVER	1



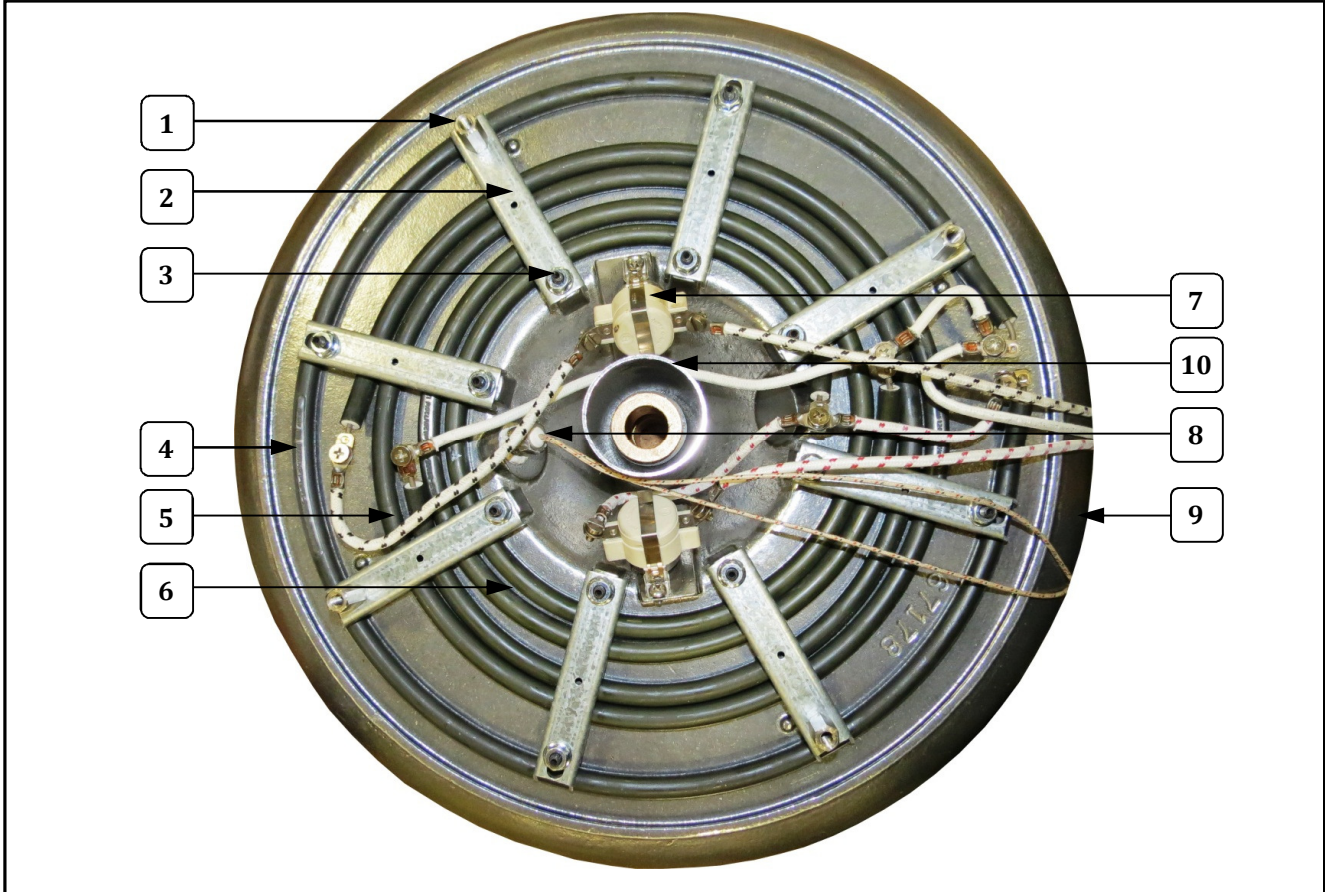
## Kettle Electronics



Item	Part No.	Model(s)	Part Description	Qty.
1	<a href="#">12889</a>	ALL	11/16" STANDOFF	4
2	<a href="#">67174</a>	ALL	ELEMENT RETAINER BRACKET	8
3	<a href="#">46327</a>	ALL	10-24 x 1 IN STUD W/NUTS	12
4	<a href="#">41536</a>	2182EL/ER	HEAT ELEMENT 120V 1000W	1
	<a href="#">41538</a>	2182XL/XR	HEAT ELEMENT 240V 1000W	
5	<a href="#">55279</a>	2182EL/ER	TUBULAR ELEMENT, 720W	1
	<a href="#">67148</a>	2182XL/XR	HEAT ELEMENT 240V 220W	
6	<a href="#">48800</a>	2182EL/ER	TUBULAR ELEMENT, 1500W	1
	<a href="#">40379</a>	2182XL/XR	HEAT ELEMENT 240V 2000W	
7	<a href="#">82219</a>	ALL	L-510 KETTLE THERMOSTAT	2
8	<a href="#">68010</a>	ALL	RTD HEAT SENSOR	1
9	<a href="#">46280</a>	ALL	CORN TREAT CENTER KETTLE	1
10	<a href="#">12581</a>	ALL	SHAFT COVER	1



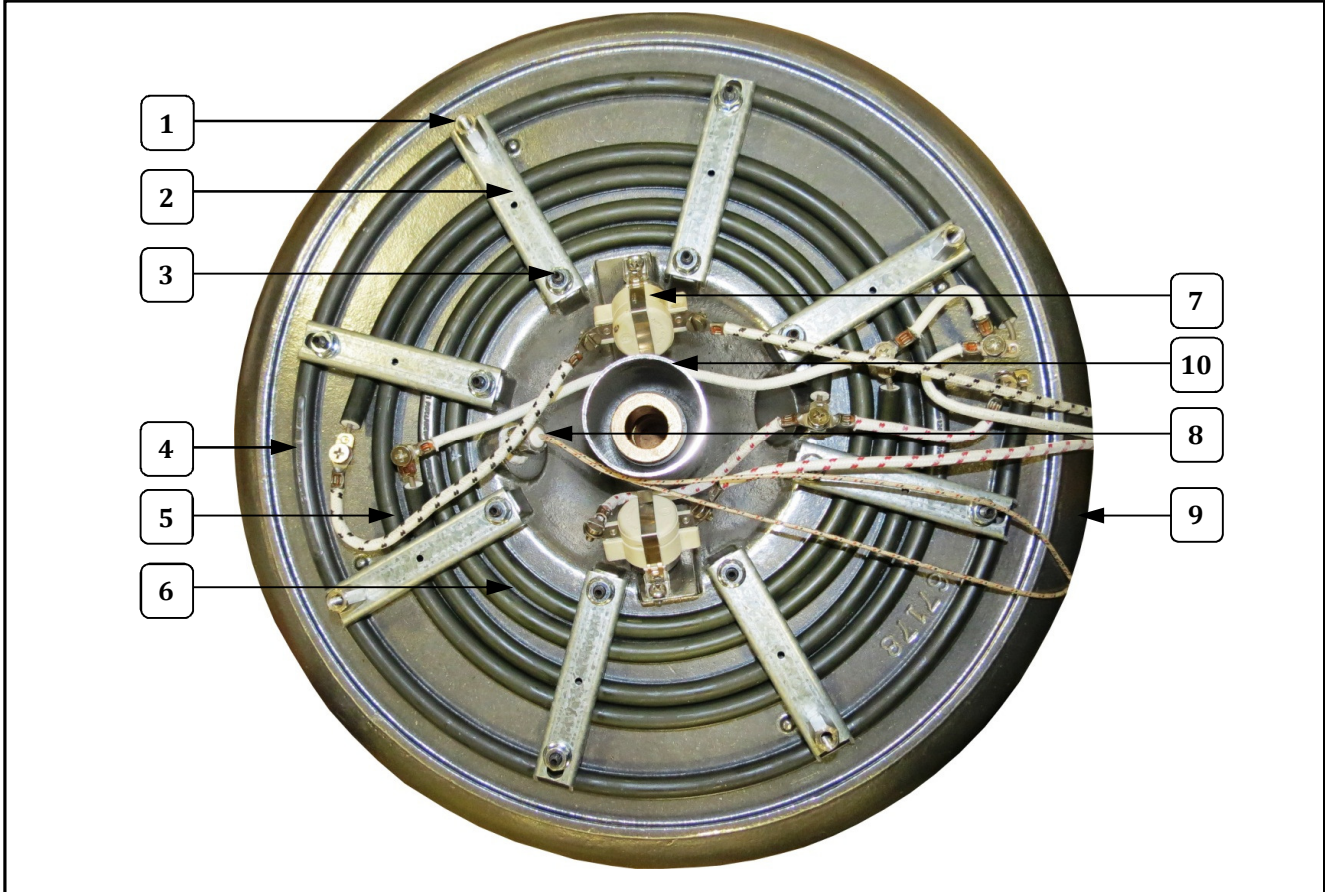
## Kettle Electronics



Item	Part No.	Model(s)	Part Description	Qty.
1	<a href="#">12889</a>	ALL	11/16" STANDOFF	4
2	<a href="#">67174</a>	ALL	ELEMENT RETAINER BRACKET	8
3	<a href="#">46327</a>	ALL	10-24 x 1 IN STUD W/NUTS	12
4	<a href="#">41536</a>	2182EL/ER	HEAT ELEMENT 120V 1000W	1
	<a href="#">41538</a>	2182XL/XR	HEAT ELEMENT 240V 1000W	
5	<a href="#">55279</a>	2182EL/ER	TUBULAR ELEMENT, 720W	1
	<a href="#">67148</a>	2182XL/XR	HEAT ELEMENT 240V 220W	
6	<a href="#">48800</a>	2182EL/ER	TUBULAR ELEMENT, 1500W	1
	<a href="#">40379</a>	2182XL/XR	HEAT ELEMENT 240V 2000W	
7	<a href="#">82219</a>	ALL	L-510 KETTLE THERMOSTAT	2
8	<a href="#">68010</a>	ALL	RTD HEAT SENSOR	1
9	<a href="#">46280</a>	ALL	CORN TREAT CENTER KETTLE	1
10	<a href="#">12581</a>	ALL	SHAFT COVER	1



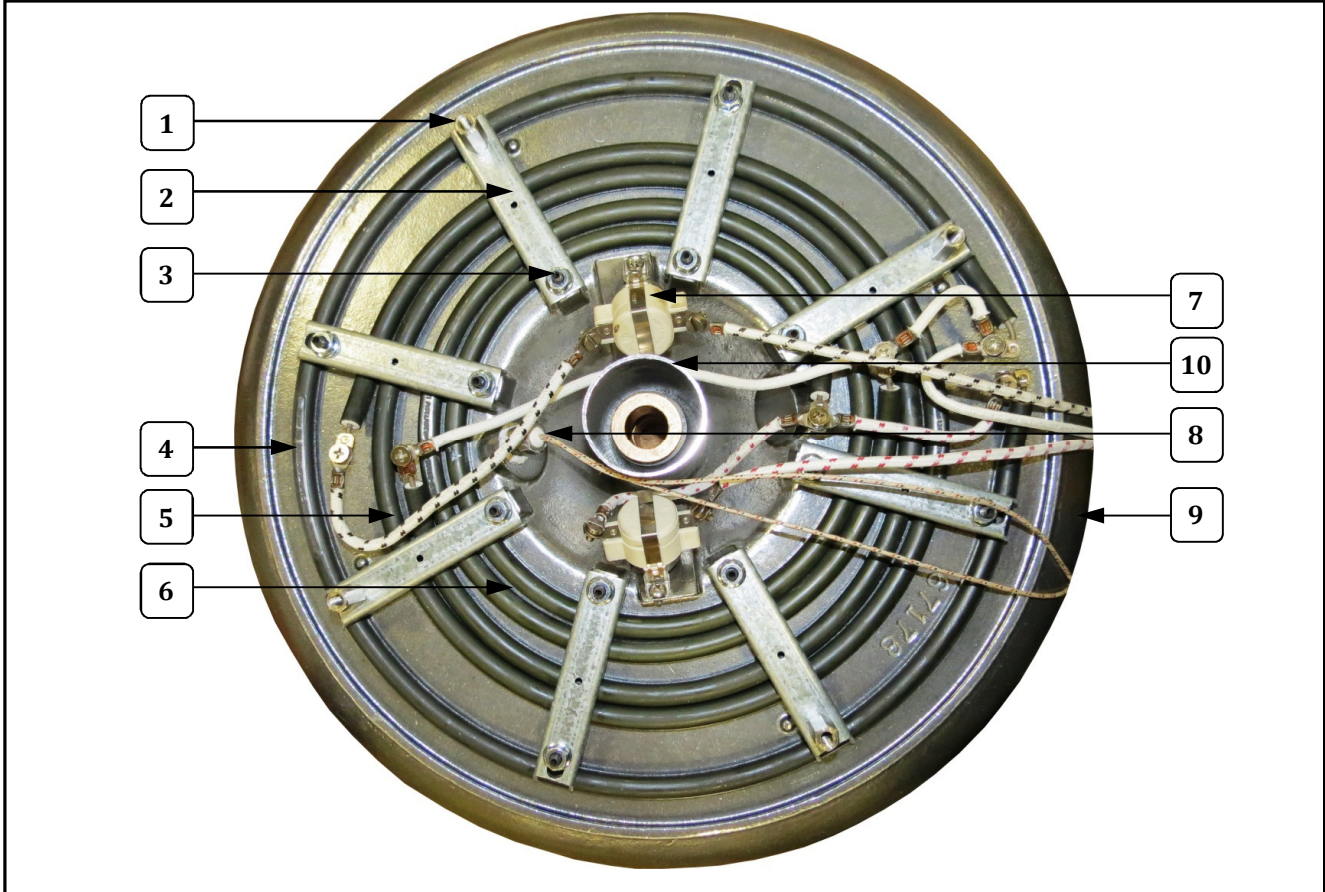
## Kettle Electronics



Item	Part No.	Model(s)	Part Description	Qty.
1	<a href="#">12889</a>	ALL	11/16" STANDOFF	4
2	<a href="#">67174</a>	ALL	ELEMENT RETAINER BRACKET	8
3	<a href="#">46327</a>	ALL	10-24 x 1 IN STUD W/NUTS	12
4	<a href="#">41536</a>	2182EL/ER	HEAT ELEMENT 120V 1000W	1
	<a href="#">41538</a>	2182XL/XR	HEAT ELEMENT 240V 1000W	
5	<a href="#">55279</a>	2182EL/ER	TUBULAR ELEMENT, 720W	1
	<a href="#">67148</a>	2182XL/XR	HEAT ELEMENT 240V 220W	
6	<a href="#">48800</a>	2182EL/ER	TUBULAR ELEMENT, 1500W	1
	<a href="#">40379</a>	2182XL/XR	HEAT ELEMENT 240V 2000W	
7	<a href="#">82219</a>	ALL	L-510 KETTLE THERMOSTAT	2
8	<a href="#">68010</a>	ALL	RTD HEAT SENSOR	1
9	<a href="#">46280</a>	ALL	CORN TREAT CENTER KETTLE	1
10	<a href="#">12581</a>	ALL	SHAFT COVER	1



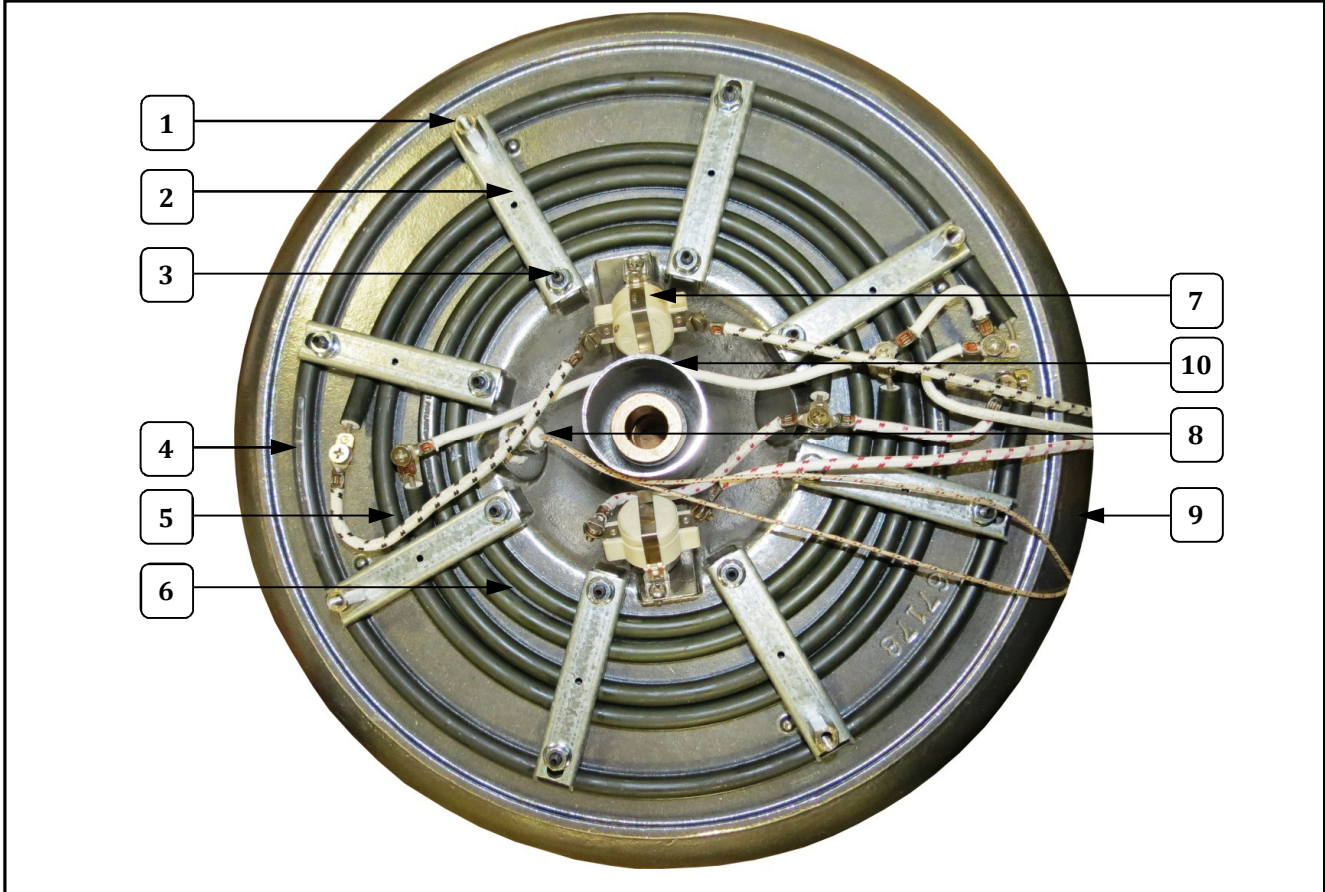
## Kettle Electronics



Item	Part No.	Model(s)	Part Description	Qty.
1	<a href="#">12889</a>	ALL	11/16" STANDOFF	4
2	<a href="#">67174</a>	ALL	ELEMENT RETAINER BRACKET	8
3	<a href="#">46327</a>	ALL	10-24 x 1 IN STUD W/NUTS	12
4	<a href="#">41536</a>	2182EL/ER	HEAT ELEMENT 120V 1000W	1
	<a href="#">41538</a>	2182XL/XR	HEAT ELEMENT 240V 1000W	
5	<a href="#">55279</a>	2182EL/ER	TUBULAR ELEMENT, 720W	1
	<a href="#">67148</a>	2182XL/XR	HEAT ELEMENT 240V 220W	
6	<a href="#">48800</a>	2182EL/ER	TUBULAR ELEMENT, 1500W	1
	<a href="#">40379</a>	2182XL/XR	HEAT ELEMENT 240V 2000W	
7	<a href="#">82219</a>	ALL	L-510 KETTLE THERMOSTAT	2
8	<a href="#">68010</a>	ALL	RTD HEAT SENSOR	1
9	<a href="#">46280</a>	ALL	CORN TREAT CENTER KETTLE	1
10	<a href="#">12581</a>	ALL	SHAFT COVER	1



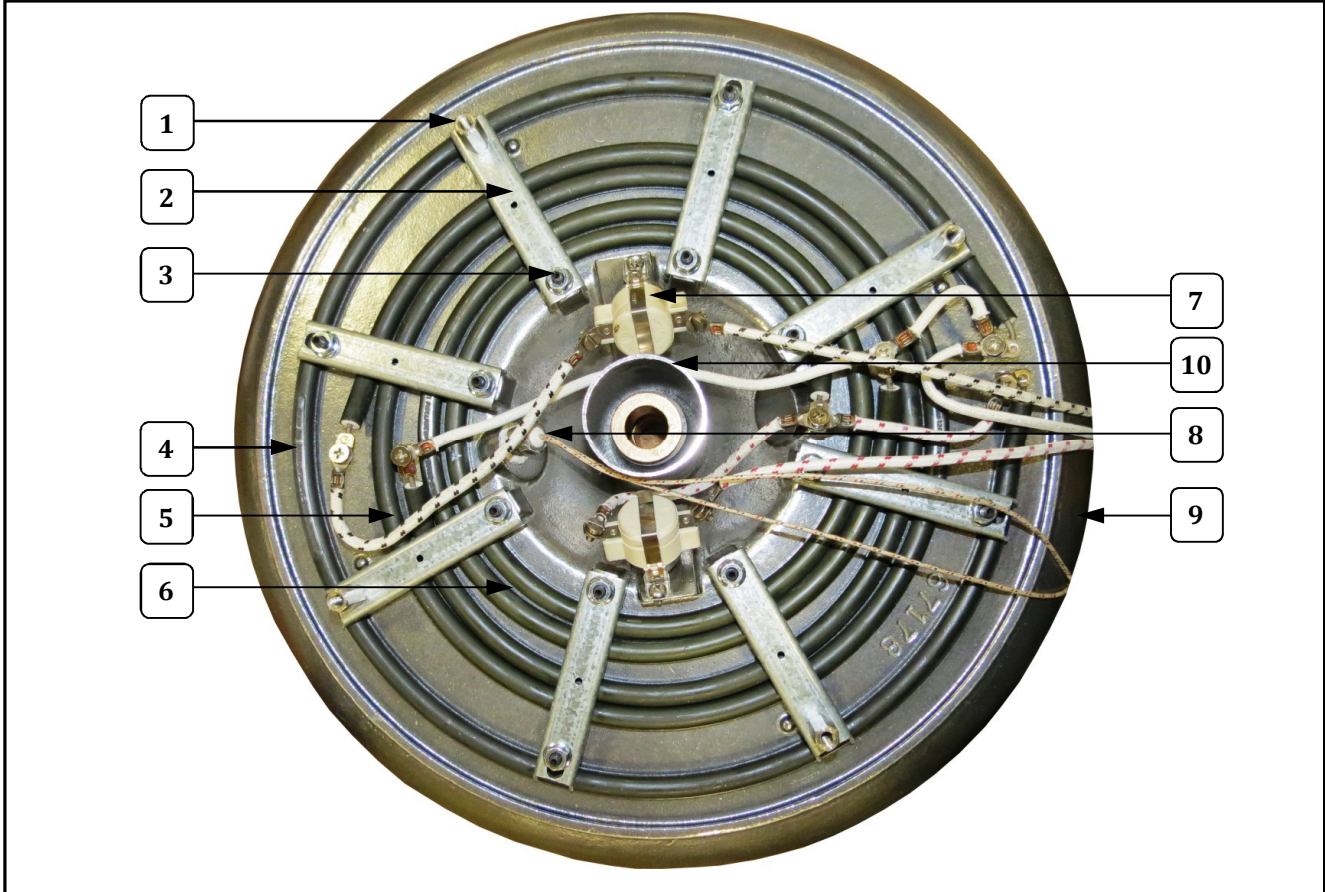
## Kettle Electronics



Item	Part No.	Model(s)	Part Description	Qty.
1	<a href="#">12889</a>	ALL	11/16" STANDOFF	4
2	<a href="#">67174</a>	ALL	ELEMENT RETAINER BRACKET	8
3	<a href="#">46327</a>	ALL	10-24 x 1 IN STUD W/NUTS	12
4	<a href="#">41536</a>	2182EL/ER	HEAT ELEMENT 120V 1000W	1
	<a href="#">41538</a>	2182XL/XR	HEAT ELEMENT 240V 1000W	
5	<a href="#">55279</a>	2182EL/ER	TUBULAR ELEMENT, 720W	1
	<a href="#">67148</a>	2182XL/XR	HEAT ELEMENT 240V 220W	
6	<a href="#">48800</a>	2182EL/ER	TUBULAR ELEMENT, 1500W	1
	<a href="#">40379</a>	2182XL/XR	HEAT ELEMENT 240V 2000W	
7	<a href="#">82219</a>	ALL	L-510 KETTLE THERMOSTAT	2
8	<a href="#">68010</a>	ALL	RTD HEAT SENSOR	1
9	<a href="#">46280</a>	ALL	CORN TREAT CENTER KETTLE	1
10	<a href="#">12581</a>	ALL	SHAFT COVER	1



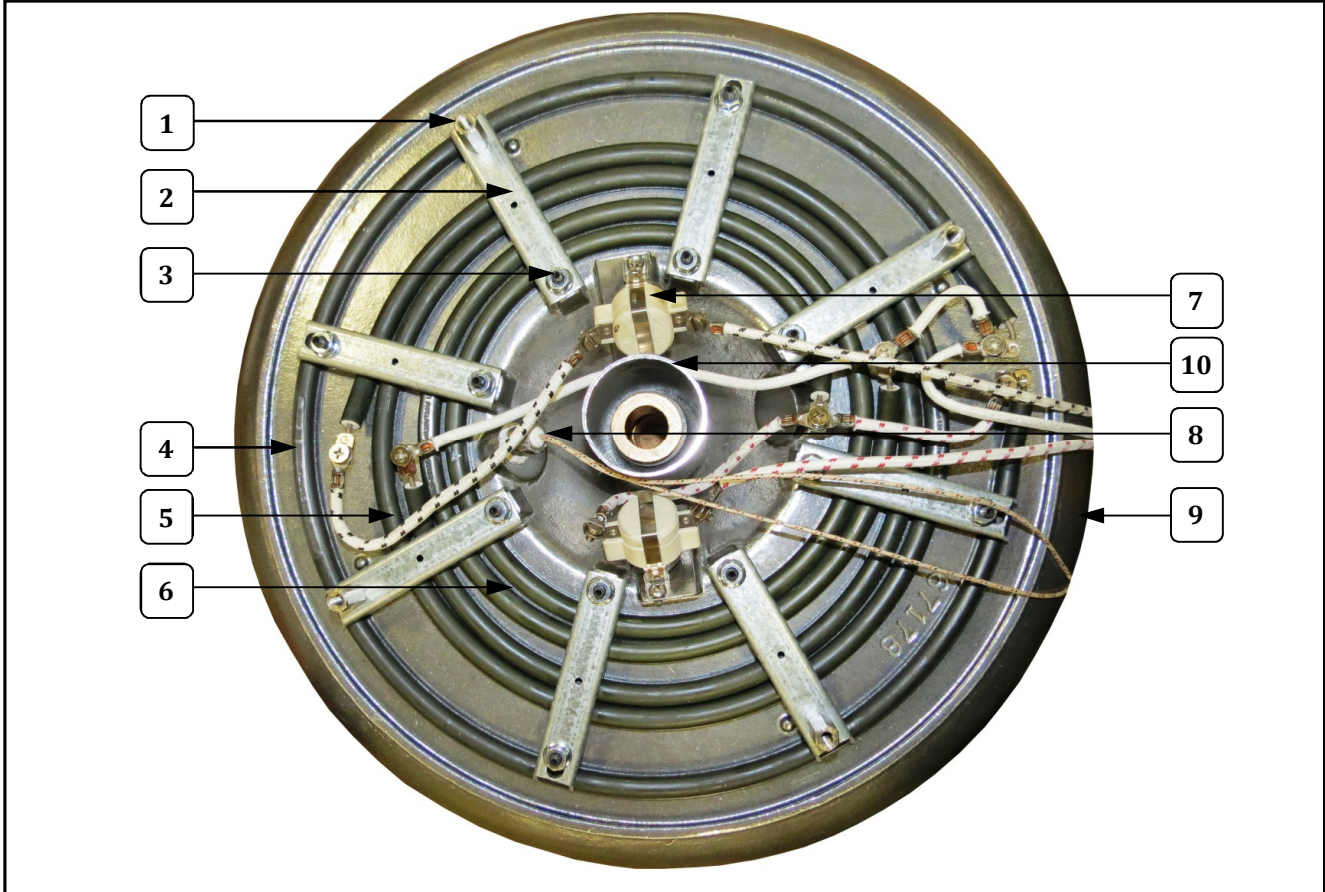
## Kettle Electronics



Item	Part No.	Model(s)	Part Description	Qty.
1	<a href="#">12889</a>	ALL	11/16" STANDOFF	4
2	<a href="#">67174</a>	ALL	ELEMENT RETAINER BRACKET	8
3	<a href="#">46327</a>	ALL	10-24 x 1 IN STUD W/NUTS	12
4	<a href="#">41536</a>	2182EL/ER	HEAT ELEMENT 120V 1000W	1
	<a href="#">41538</a>	2182XL/XR	HEAT ELEMENT 240V 1000W	
5	<a href="#">55279</a>	2182EL/ER	TUBULAR ELEMENT, 720W	1
	<a href="#">67148</a>	2182XL/XR	HEAT ELEMENT 240V 220W	
6	<a href="#">48800</a>	2182EL/ER	TUBULAR ELEMENT, 1500W	1
	<a href="#">40379</a>	2182XL/XR	HEAT ELEMENT 240V 2000W	
7	<a href="#">82219</a>	ALL	L-510 KETTLE THERMOSTAT	2
8	<a href="#">68010</a>	ALL	RTD HEAT SENSOR	1
9	<a href="#">46280</a>	ALL	CORN TREAT CENTER KETTLE	1
10	<a href="#">12581</a>	ALL	SHAFT COVER	1



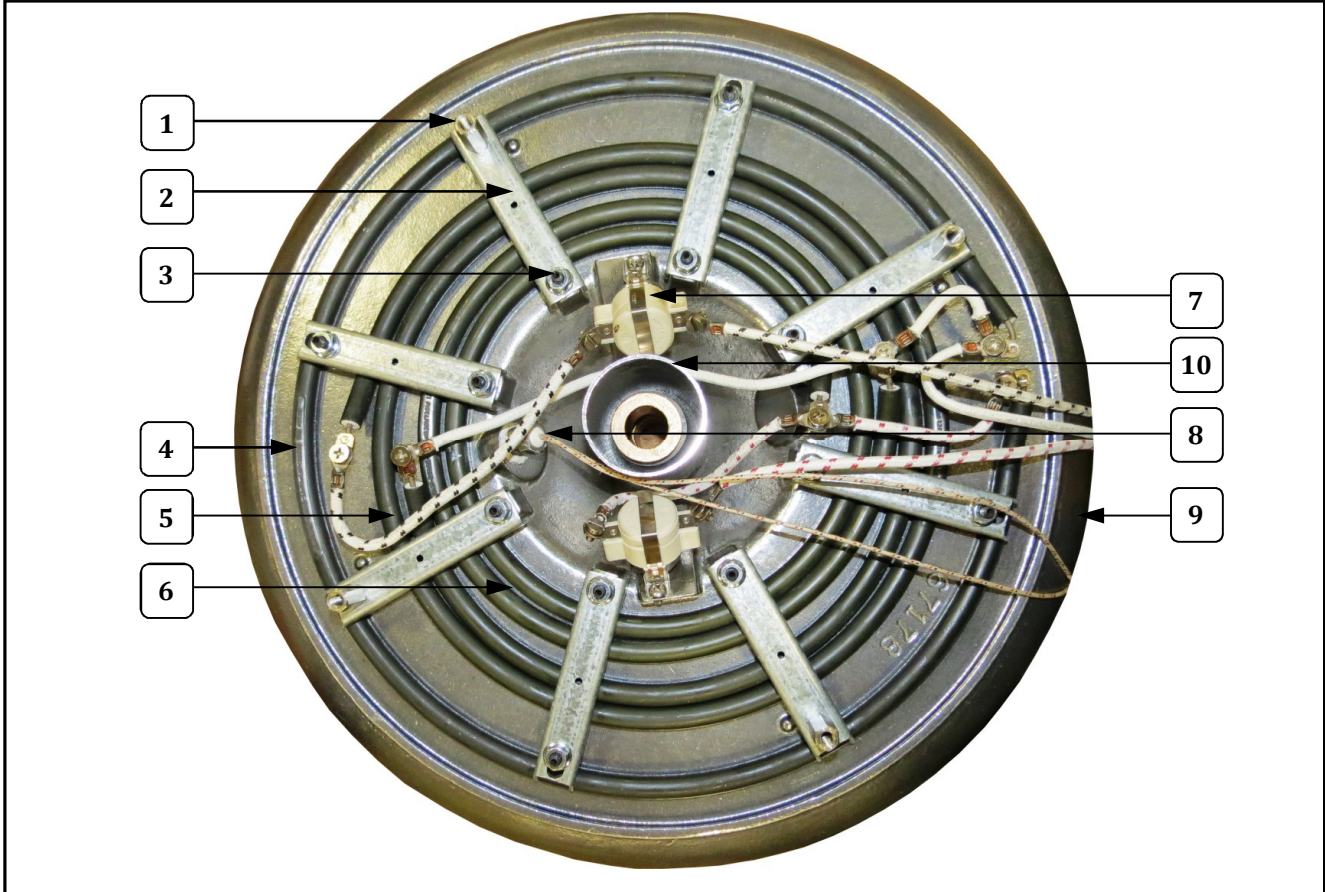
## Kettle Electronics



Item	Part No.	Model(s)	Part Description	Qty.
1	<a href="#">12889</a>	ALL	11/16" STANDOFF	4
2	<a href="#">67174</a>	ALL	ELEMENT RETAINER BRACKET	8
3	<a href="#">46327</a>	ALL	10-24 x 1 IN STUD W/NUTS	12
4	<a href="#">41536</a>	2182EL/ER	HEAT ELEMENT 120V 1000W	1
	<a href="#">41538</a>	2182XL/XR	HEAT ELEMENT 240V 1000W	
5	<a href="#">55279</a>	2182EL/ER	TUBULAR ELEMENT, 720W	1
	<a href="#">67148</a>	2182XL/XR	HEAT ELEMENT 240V 220W	
6	<a href="#">48800</a>	2182EL/ER	TUBULAR ELEMENT, 1500W	1
	<a href="#">40379</a>	2182XL/XR	HEAT ELEMENT 240V 2000W	
7	<a href="#">82219</a>	ALL	L-510 KETTLE THERMOSTAT	2
8	<a href="#">68010</a>	ALL	RTD HEAT SENSOR	1
9	<a href="#">46280</a>	ALL	CORN TREAT CENTER KETTLE	1
10	<a href="#">12581</a>	ALL	SHAFT COVER	1



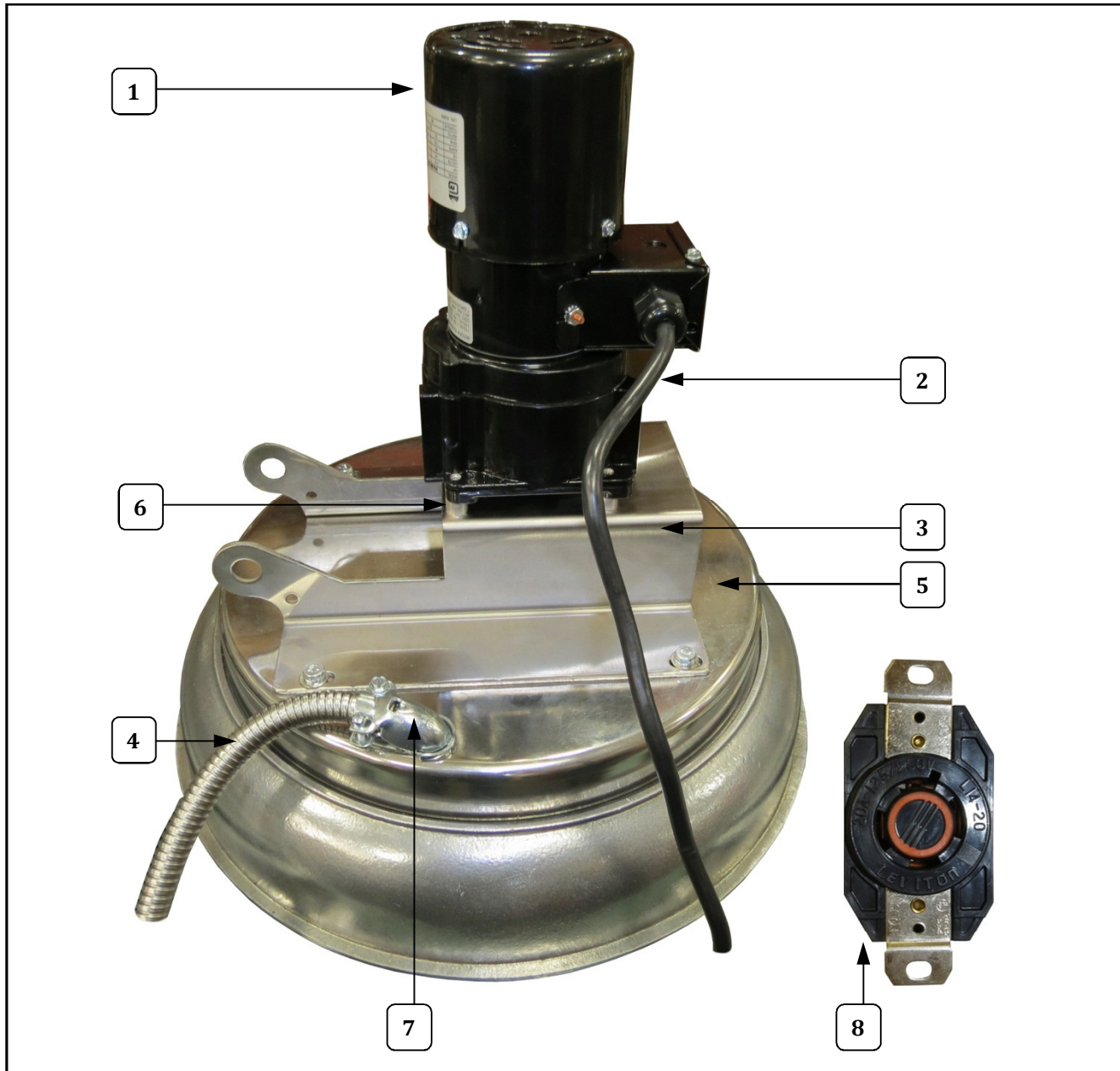
## Kettle Electronics



Item	Part No.	Model(s)	Part Description	Qty.
1	<a href="#">12889</a>	ALL	11/16" STANDOFF	4
2	<a href="#">67174</a>	ALL	ELEMENT RETAINER BRACKET	8
3	<a href="#">46327</a>	ALL	10-24 x 1 IN STUD W/NUTS	12
4	<a href="#">41536</a>	2182EL/ER	HEAT ELEMENT 120V 1000W	1
	<a href="#">41538</a>	2182XL/XR	HEAT ELEMENT 240V 1000W	
5	<a href="#">55279</a>	2182EL/ER	TUBULAR ELEMENT, 720W	1
	<a href="#">67148</a>	2182XL/XR	HEAT ELEMENT 240V 220W	
6	<a href="#">48800</a>	2182EL/ER	TUBULAR ELEMENT, 1500W	1
	<a href="#">40379</a>	2182XL/XR	HEAT ELEMENT 240V 2000W	
7	<a href="#">82219</a>	ALL	L-510 KETTLE THERMOSTAT	2
8	<a href="#">68010</a>	ALL	RTD HEAT SENSOR	1
9	<a href="#">46280</a>	ALL	CORN TREAT CENTER KETTLE	1
10	<a href="#">12581</a>	ALL	SHAFT COVER	1



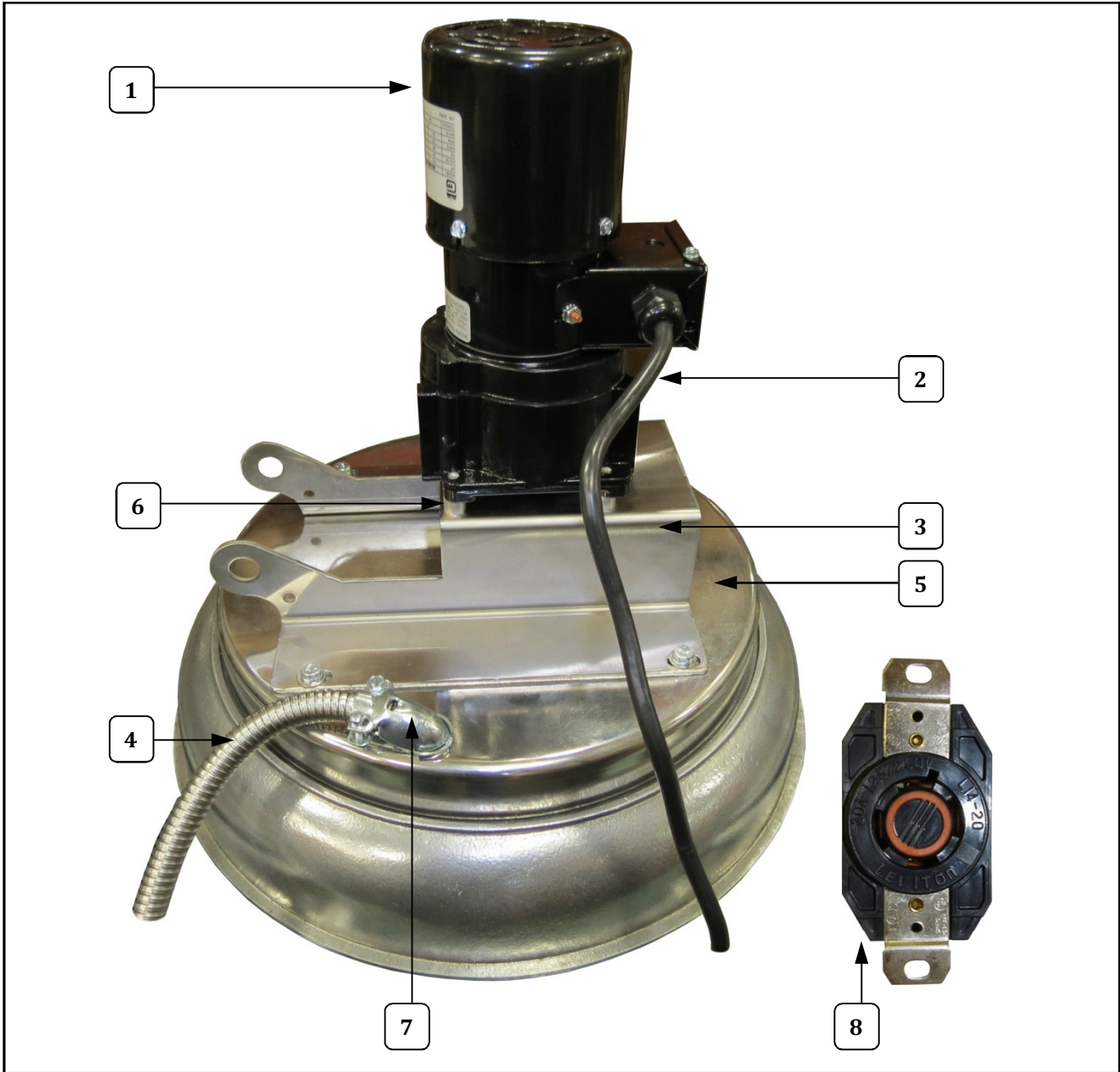
## Kettle Bottom



Item	Part No.	Model(s)	Part Description	Qty.
1	82085B	2182EL/ER	KETTLE DRIVE MOTOR	1
	82413B	2182XL/XR	KETTLE DRIVE MOTOR	
2	41034	2182EL/ER	LEAD-IN CORD ASSEMBLY	1
	82943	2182XL/XR	EXPORT LEAD-IN CORD ASSEMBLY	
3	16708	ALL	MOTOR MOUNT	1
4	82252-28	2182XL/XR	9/16" FLEXIBLE CONDUIT	1
	48769	2182EL/ER	KETTLE LEAD-IN ASSEMBLY	
5	67995	ALL	BOTTOM COVER	1
6	67207	ALL	MOTOR SPACER	8
7	46241	ALL	90° CONNECTOR	1
8	41254	2182EL/ER	RECEPTACLE	1



# Kettle Bottom



Item	Part No.	Model(s)	Part Description	Qty.
1	82085B	2182EL/ER	KETTLE DRIVE MOTOR	1
	82413B	2182XL/XR	KETTLE DRIVE MOTOR	
2	41034	2182EL/ER	LEAD-IN CORD ASSEMBLY	1
	82943	2182XL/XR	EXPORT LEAD-IN CORD ASSEMBLY	
3	16708	ALL	MOTOR MOUNT	1
4	82252-28	2182XL/XR	9/16" FLEXIBLE CONDUIT	1
	48769	2182EL/ER	KETTLE LEAD-IN ASSEMBLY	
5	67995	ALL	BOTTOM COVER	1
6	67207	ALL	MOTOR SPACER	8
7	46241	ALL	90° CONNECTOR	1
8	41254	2182EL/ER	RECEPTACLE	1



## Kettle Bottom



Item	Part No.	Model(s)	Part Description	Qty.
1	82085B	2182EL/ER	KETTLE DRIVE MOTOR	1
	82413B	2182XL/XR	KETTLE DRIVE MOTOR	
2	41034	2182EL/ER	LEAD-IN CORD ASSEMBLY	1
	82943	2182XL/XR	EXPORT LEAD-IN CORD ASSEMBLY	
3	16708	ALL	MOTOR MOUNT	1
4	82252-28	2182XL/XR	9/16" FLEXIBLE CONDUIT	1
	48769	2182EL/ER	KETTLE LEAD-IN ASSEMBLY	
5	67995	ALL	BOTTOM COVER	1
6	67207	ALL	MOTOR SPACER	8
7	46241	ALL	90° CONNECTOR	1
8	41254	2182EL/ER	RECEPTACLE	1



## Kettle Bottom



Item	Part No.	Model(s)	Part Description	Qty.
1	82085B	2182EL/ER	KETTLE DRIVE MOTOR	1
	82413B	2182XL/XR	KETTLE DRIVE MOTOR	
2	41034	2182EL/ER	LEAD-IN CORD ASSEMBLY	1
	82943	2182XL/XR	EXPORT LEAD-IN CORD ASSEMBLY	
3	16708	ALL	MOTOR MOUNT	1
4	82252-28	2182XL/XR	9/16" FLEXIBLE CONDUIT	1
	48769	2182EL/ER	KETTLE LEAD-IN ASSEMBLY	
5	67995	ALL	BOTTOM COVER	1
6	67207	ALL	MOTOR SPACER	8
7	46241	ALL	90° CONNECTOR	1
8	41254	2182EL/ER	RECEPTACLE	1



## Kettle Bottom



Item	Part No.	Model(s)	Part Description	Qty.
1	82085B	2182EL/ER	KETTLE DRIVE MOTOR	1
	82413B	2182XL/XR	KETTLE DRIVE MOTOR	
2	41034	2182EL/ER	LEAD-IN CORD ASSEMBLY	1
	82943	2182XL/XR	EXPORT LEAD-IN CORD ASSEMBLY	
3	16708	ALL	MOTOR MOUNT	1
4	82252-28	2182XL/XR	9/16" FLEXIBLE CONDUIT	1
	48769	2182EL/ER	KETTLE LEAD-IN ASSEMBLY	
5	67995	ALL	BOTTOM COVER	1
6	67207	ALL	MOTOR SPACER	8
7	46241	ALL	90° CONNECTOR	1
8	41254	2182EL/ER	RECEPTACLE	1



## Kettle Bottom



Item	Part No.	Model(s)	Part Description	Qty.
1	82085B	2182EL/ER	KETTLE DRIVE MOTOR	1
	82413B	2182XL/XR	KETTLE DRIVE MOTOR	
2	41034	2182EL/ER	LEAD-IN CORD ASSEMBLY	1
	82943	2182XL/XR	EXPORT LEAD-IN CORD ASSEMBLY	
3	16708	ALL	MOTOR MOUNT	1
4	82252-28	2182XL/XR	9/16" FLEXIBLE CONDUIT	1
	48769	2182EL/ER	KETTLE LEAD-IN ASSEMBLY	
5	67995	ALL	BOTTOM COVER	1
6	67207	ALL	MOTOR SPACER	8
7	46241	ALL	90° CONNECTOR	1
8	41254	2182EL/ER	RECEPTACLE	1



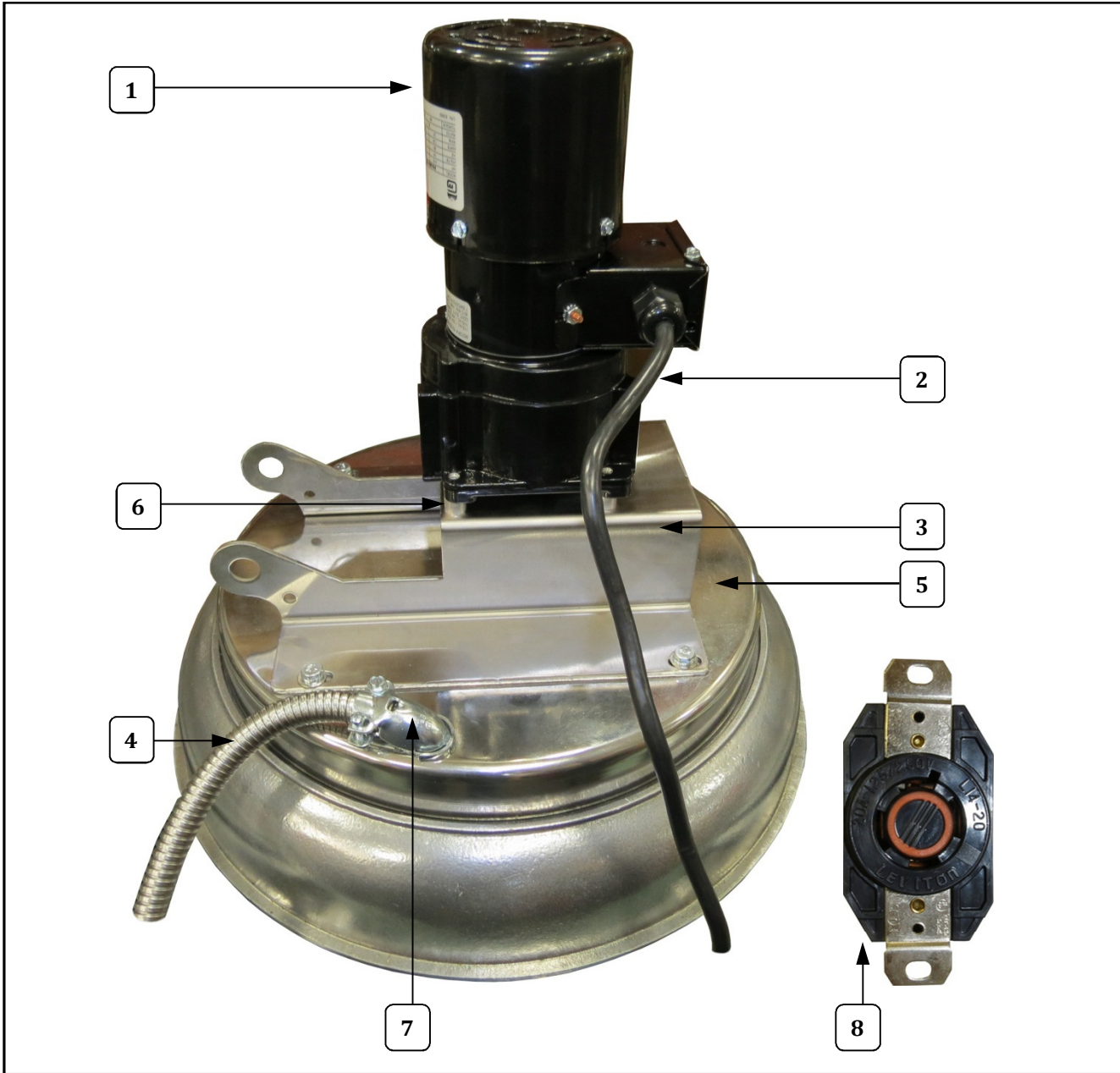
## Kettle Bottom



Item	Part No.	Model(s)	Part Description	Qty.
1	82085B	2182EL/ER	KETTLE DRIVE MOTOR	1
	82413B	2182XL/XR	KETTLE DRIVE MOTOR	
2	41034	2182EL/ER	LEAD-IN CORD ASSEMBLY	1
	82943	2182XL/XR	EXPORT LEAD-IN CORD ASSEMBLY	
3	16708	ALL	MOTOR MOUNT	1
4	82252-28	2182XL/XR	9/16" FLEXIBLE CONDUIT	1
	48769	2182EL/ER	KETTLE LEAD-IN ASSEMBLY	
5	67995	ALL	BOTTOM COVER	1
6	67207	ALL	MOTOR SPACER	8
7	46241	ALL	90° CONNECTOR	1
8	41254	2182EL/ER	RECEPTACLE	1



## Kettle Bottom



Item	Part No.	Model(s)	Part Description	Qty.
1	82085B	2182EL/ER	KETTLE DRIVE MOTOR	1
	82413B	2182XL/XR	KETTLE DRIVE MOTOR	
2	41034	2182EL/ER	LEAD-IN CORD ASSEMBLY	1
	82943	2182XL/XR	EXPORT LEAD-IN CORD ASSEMBLY	
3	16708	ALL	MOTOR MOUNT	1
4	82252-28	2182XL/XR	9/16" FLEXIBLE CONDUIT	1
	48769	2182EL/ER	KETTLE LEAD-IN ASSEMBLY	
5	67995	ALL	BOTTOM COVER	1
6	67207	ALL	MOTOR SPACER	8
7	46241	ALL	90° CONNECTOR	1
8	41254	2182EL/ER	RECEPTACLE	1



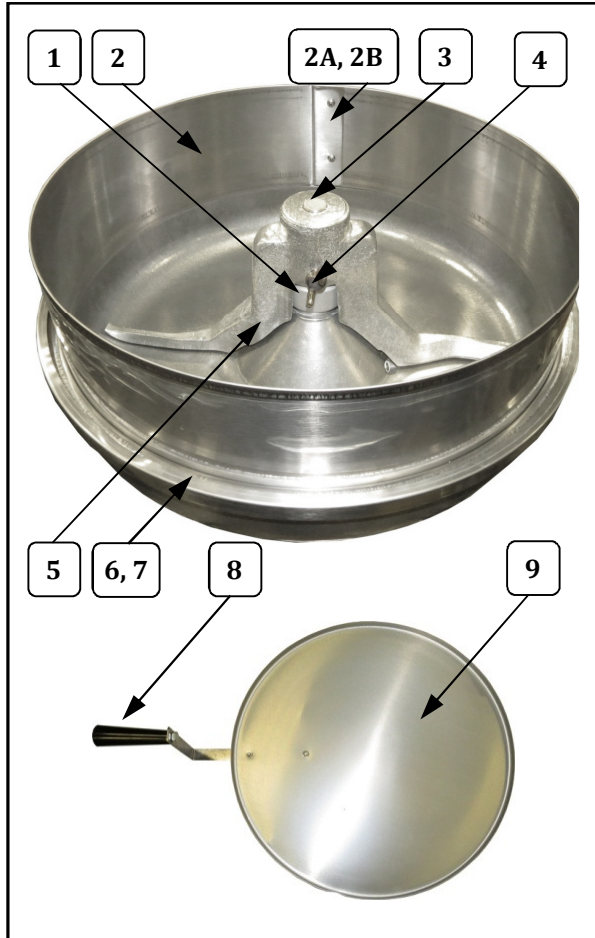
## Kettle Bottom



Item	Part No.	Model(s)	Part Description	Qty.
1	82085B	2182EL/ER	KETTLE DRIVE MOTOR	1
	82413B	2182XL/XR	KETTLE DRIVE MOTOR	
2	41034	2182EL/ER	LEAD-IN CORD ASSEMBLY	1
	82943	2182XL/XR	EXPORT LEAD-IN CORD ASSEMBLY	
3	16708	ALL	MOTOR MOUNT	1
4	82252-28	2182XL/XR	9/16" FLEXIBLE CONDUIT	1
	48769	2182EL/ER	KETTLE LEAD-IN ASSEMBLY	
5	67995	ALL	BOTTOM COVER	1
6	67207	ALL	MOTOR SPACER	8
7	46241	ALL	90° CONNECTOR	1
8	41254	2182EL/ER	RECEPTACLE	1



## Kettle Breakdown



Pralinator Assembly

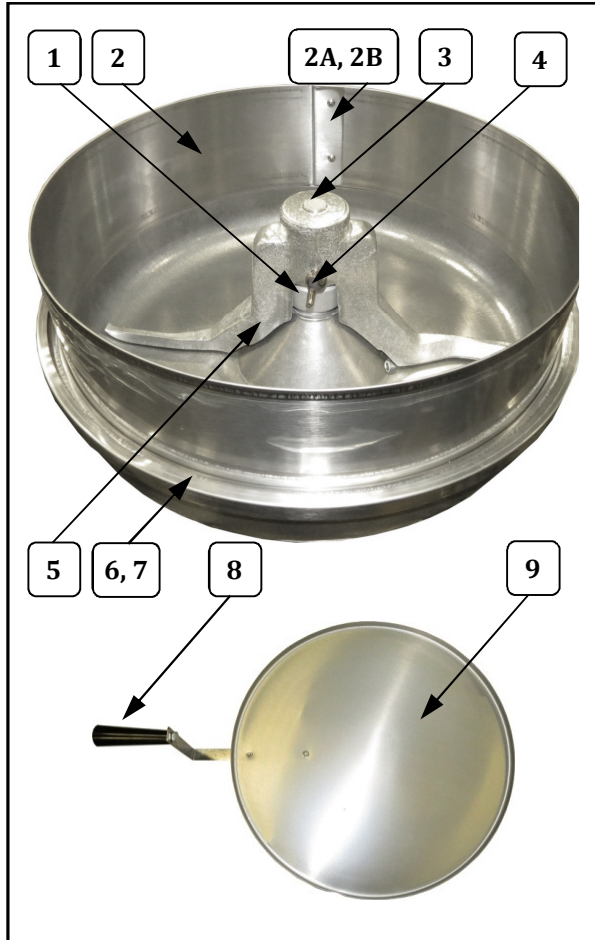


Corn Treat Assembly

Item	Part No.	Model(s)	Part Description	Qty.
1	46632	ALL	HUB SEAL ASSY CTC	1
2	67222	Pralinator	MIXING DRUM (Pralinator)	1
2A	12389	Pralinator	8-32 X3/8 PAN HD	2
2B	89126	ALL	8-32 Wing Nut	2
3	48678	ALL	AGITATOR SHAFT	1
4	46203E	Pralinator	MIX PADDLE LOCK STUD SMLL	1
5	48696	Pralinator	MIXING PADDLE (Pralinator)	1
6	46701	ALL	DRUM SEAL (Not Shown)	1
7	46651	ALL	RETAINING RING ASSEMBLY	1
8	76075	ALL	PLASTIC HANDLE	1
9	67216	ALL	LID ASSEMBLY	1
10	46203	Corn Treat	MIX PADDLE LOCK STUD	2
11	46288	Corn Treat	MIX DRUM (Corn Treat)	1
12	46532	Corn Treat	BLENDING STRIP	1
13	46286	Corn Treat	MIXING PADDLE (Corn Treat)	2
14	48677	Corn Treat	AGITATOR SHAFT EXTENSION	1
15	46119	ALL	BUSHING SEAL (Under Hub)	1



## Kettle Breakdown



Pralinator Assembly

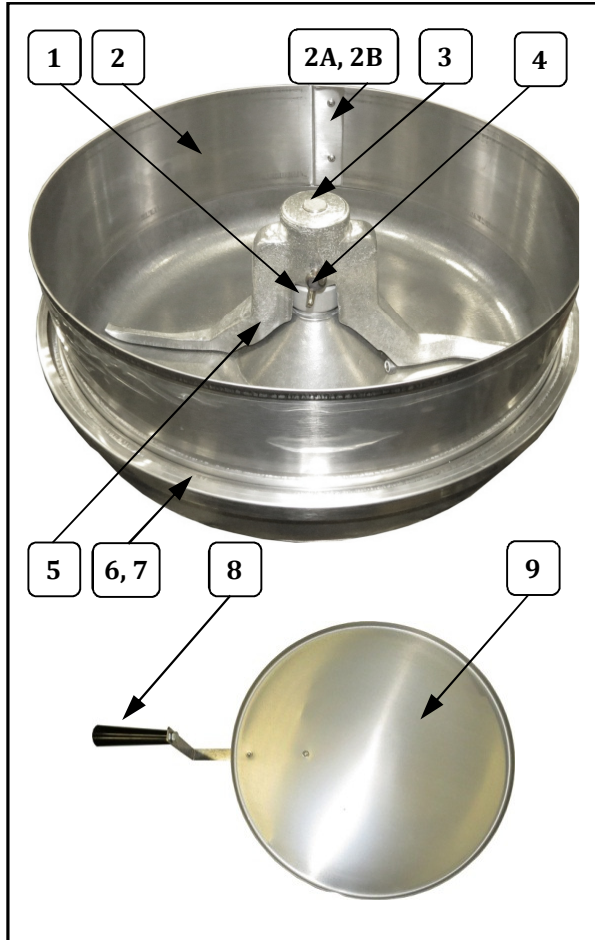


Corn Treat Assembly

Item	Part No.	Model(s)	Part Description	Qty.
1	46632	ALL	HUB SEAL ASSY CTC	1
2	67222	Pralinator	MIXING DRUM (Pralinator)	1
2A	12389	Pralinator	8-32 X3/8 PAN HD	2
2B	89126	ALL	8-32 Wing Nut	2
3	48678	ALL	AGITATOR SHAFT	1
4	46203E	Pralinator	MIX PADDLE LOCK STUD SMLL	1
5	48696	Pralinator	MIXING PADDLE (Pralinator)	1
6	46701	ALL	DRUM SEAL (Not Shown)	1
7	46651	ALL	RETAINING RING ASSEMBLY	1
8	76075	ALL	PLASTIC HANDLE	1
9	67216	ALL	LID ASSEMBLY	1
10	46203	Corn Treat	MIX PADDLE LOCK STUD	2
11	46288	Corn Treat	MIX DRUM (Corn Treat)	1
12	46532	Corn Treat	BLENDING STRIP	1
13	46286	Corn Treat	MIXING PADDLE (Corn Treat)	2
14	48677	Corn Treat	AGITATOR SHAFT EXTENSION	1
15	46119	ALL	BUSHING SEAL (Under Hub)	1



## Kettle Breakdown



Pralinator Assembly

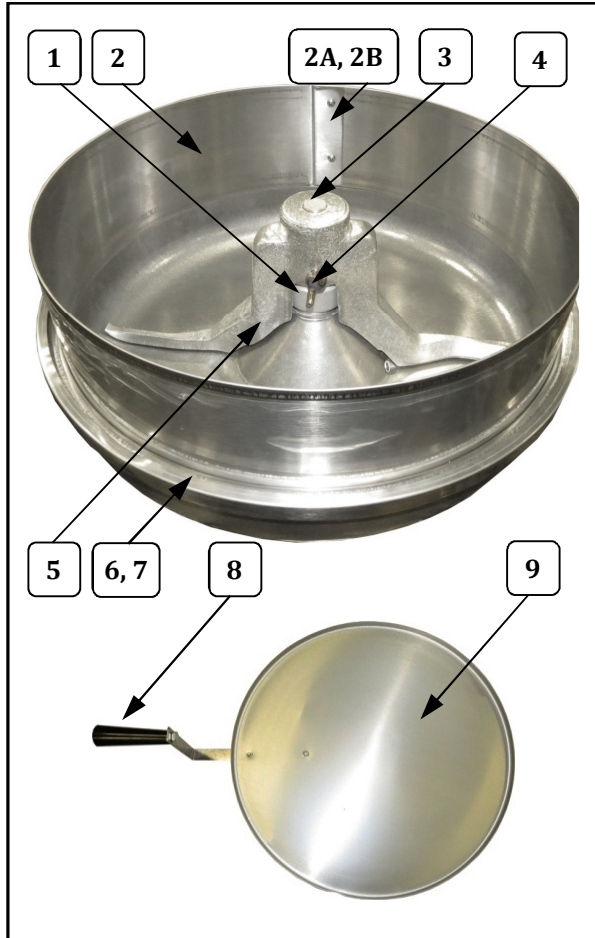


Corn Treat Assembly

Item	Part No.	Model(s)	Part Description	Qty.
1	46632	ALL	HUB SEAL ASSY CTC	1
2	67222	Pralinator	MIXING DRUM (Pralinator)	1
2A	12389	Pralinator	8-32 X3/8 PAN HD	2
2B	89126	ALL	8-32 Wing Nut	2
3	48678	ALL	AGITATOR SHAFT	1
4	46203E	Pralinator	MIX PADDLE LOCK STUD SMLL	1
5	48696	Pralinator	MIXING PADDLE (Pralinator)	1
6	46701	ALL	DRUM SEAL (Not Shown)	1
7	46651	ALL	RETAINING RING ASSEMBLY	1
8	76075	ALL	PLASTIC HANDLE	1
9	67216	ALL	LID ASSEMBLY	1
10	46203	Corn Treat	MIX PADDLE LOCK STUD	2
11	46288	Corn Treat	MIX DRUM (Corn Treat)	1
12	46532	Corn Treat	BLENDING STRIP	1
13	46286	Corn Treat	MIXING PADDLE (Corn Treat)	2
14	48677	Corn Treat	AGITATOR SHAFT EXTENSION	1
15	46119	ALL	BUSHING SEAL (Under Hub)	1



## Kettle Breakdown



Pralinator Assembly

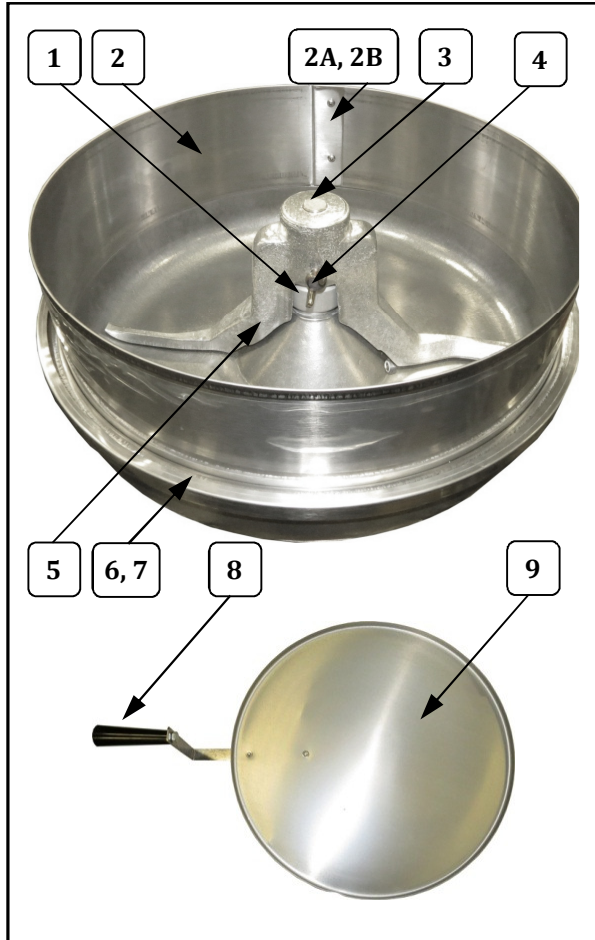


Corn Treat Assembly

Item	Part No.	Model(s)	Part Description	Qty.
1	46632	ALL	HUB SEAL ASSY CTC	1
2	67222	Pralinator	MIXING DRUM (Pralinator)	1
2A	12389	Pralinator	8-32 X3/8 PAN HD	2
2B	89126	ALL	8-32 Wing Nut	2
3	48678	ALL	AGITATOR SHAFT	1
4	46203E	Pralinator	MIX PADDLE LOCK STUD SMLL	1
5	48696	Pralinator	MIXING PADDLE (Pralinator)	1
6	46701	ALL	DRUM SEAL (Not Shown)	1
7	46651	ALL	RETAINING RING ASSEMBLY	1
8	76075	ALL	PLASTIC HANDLE	1
9	67216	ALL	LID ASSEMBLY	1
10	46203	Corn Treat	MIX PADDLE LOCK STUD	2
11	46288	Corn Treat	MIX DRUM (Corn Treat)	1
12	46532	Corn Treat	BLENDING STRIP	1
13	46286	Corn Treat	MIXING PADDLE (Corn Treat)	2
14	48677	Corn Treat	AGITATOR SHAFT EXTENSION	1
15	46119	ALL	BUSHING SEAL (Under Hub)	1



## Kettle Breakdown



Pralinator Assembly

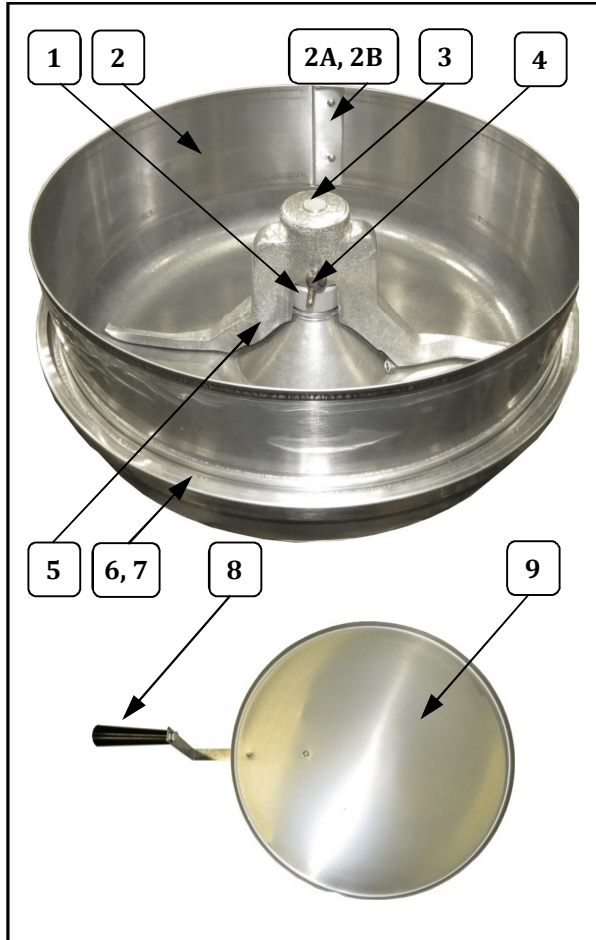


Corn Treat Assembly

Item	Part No.	Model(s)	Part Description	Qty.
1	46632	ALL	HUB SEAL ASSY CTC	1
2	67222	Pralinator	MIXING DRUM (Pralinator)	1
2A	12389	Pralinator	8-32 X3/8 PAN HD	2
2B	89126	ALL	8-32 Wing Nut	2
3	48678	ALL	AGITATOR SHAFT	1
4	46203E	Pralinator	MIX PADDLE LOCK STUD SMLL	1
5	48696	Pralinator	MIXING PADDLE (Pralinator)	1
6	46701	ALL	DRUM SEAL (Not Shown)	1
7	46651	ALL	RETAINING RING ASSEMBLY	1
8	76075	ALL	PLASTIC HANDLE	1
9	67216	ALL	LID ASSEMBLY	1
10	46203	Corn Treat	MIX PADDLE LOCK STUD	2
11	46288	Corn Treat	MIX DRUM (Corn Treat)	1
12	46532	Corn Treat	BLENDING STRIP	1
13	46286	Corn Treat	MIXING PADDLE (Corn Treat)	2
14	48677	Corn Treat	AGITATOR SHAFT EXTENSION	1
15	46119	ALL	BUSHING SEAL (Under Hub)	1



## Kettle Breakdown



Pralinator Assembly

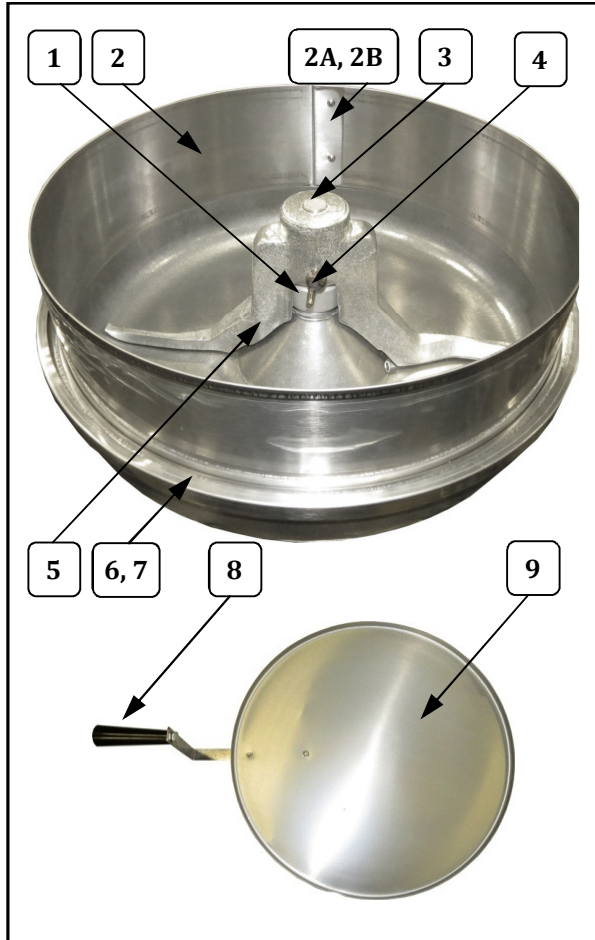


Corn Treat Assembly

Item	Part No.	Model(s)	Part Description	Qty.
1	46632	ALL	HUB SEAL ASSY CTC	1
2	67222	Pralinator	MIXING DRUM (Pralinator)	1
2A	12389	Pralinator	8-32 X3/8 PAN HD	2
2B	89126	ALL	8-32 Wing Nut	2
3	48678	ALL	AGITATOR SHAFT	1
4	46203E	Pralinator	MIX PADDLE LOCK STUD SMLL	1
5	48696	Pralinator	MIXING PADDLE (Pralinator)	1
6	46701	ALL	DRUM SEAL (Not Shown)	1
7	46651	ALL	RETAINING RING ASSEMBLY	1
8	76075	ALL	PLASTIC HANDLE	1
9	67216	ALL	LID ASSEMBLY	1
10	46203	Corn Treat	MIX PADDLE LOCK STUD	2
11	46288	Corn Treat	MIX DRUM (Corn Treat)	1
12	46532	Corn Treat	BLENDING STRIP	1
13	46286	Corn Treat	MIXING PADDLE (Corn Treat)	2
14	48677	Corn Treat	AGITATOR SHAFT EXTENSION	1
15	46119	ALL	BUSHING SEAL (Under Hub)	1



## Kettle Breakdown



Pralinator Assembly

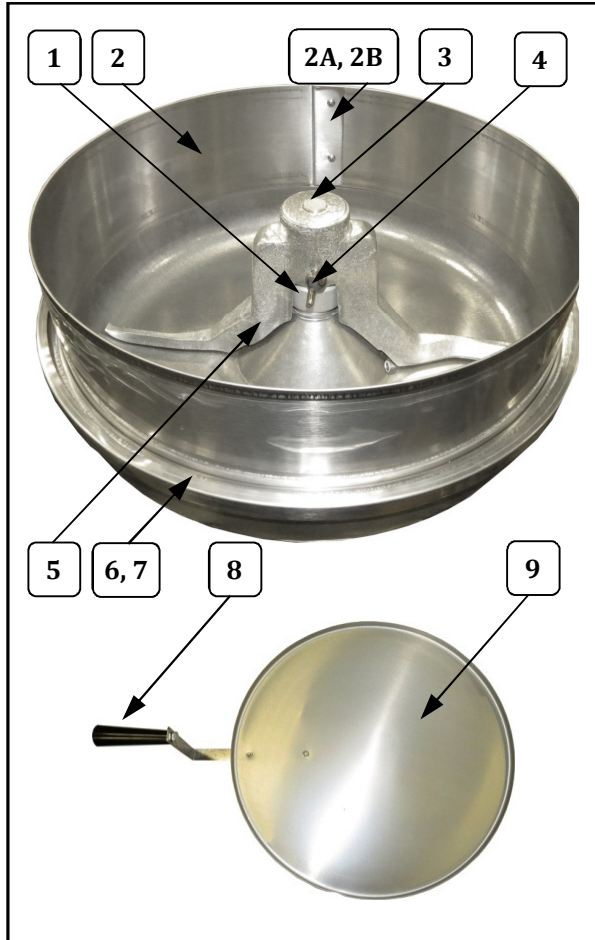


Corn Treat Assembly

Item	Part No.	Model(s)	Part Description	Qty.
1	46632	ALL	HUB SEAL ASSY CTC	1
2	67222	Pralinator	MIXING DRUM (Pralinator)	1
2A	12389	Pralinator	8-32 X3/8 PAN HD	2
2B	89126	ALL	8-32 Wing Nut	2
3	48678	ALL	AGITATOR SHAFT	1
4	46203E	Pralinator	MIX PADDLE LOCK STUD SMLL	1
5	48696	Pralinator	MIXING PADDLE (Pralinator)	1
6	46701	ALL	DRUM SEAL (Not Shown)	1
7	46651	ALL	RETAINING RING ASSEMBLY	1
8	76075	ALL	PLASTIC HANDLE	1
9	67216	ALL	LID ASSEMBLY	1
10	46203	Corn Treat	MIX PADDLE LOCK STUD	2
11	46288	Corn Treat	MIX DRUM (Corn Treat)	1
12	46532	Corn Treat	BLENDING STRIP	1
13	46286	Corn Treat	MIXING PADDLE (Corn Treat)	2
14	48677	Corn Treat	AGITATOR SHAFT EXTENSION	1
15	46119	ALL	BUSHING SEAL (Under Hub)	1



## Kettle Breakdown



Pralinator Assembly

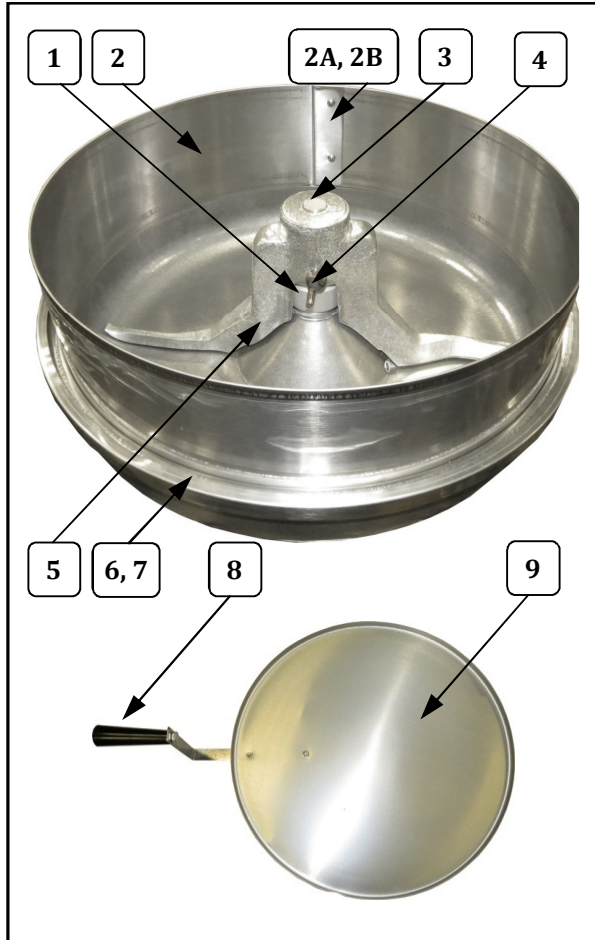


Corn Treat Assembly

Item	Part No.	Model(s)	Part Description	Qty.
1	46632	ALL	HUB SEAL ASSY CTC	1
2	67222	Pralinator	MIXING DRUM (Pralinator)	1
2A	12389	Pralinator	8-32 X3/8 PAN HD	2
2B	89126	ALL	8-32 Wing Nut	2
3	48678	ALL	AGITATOR SHAFT	1
4	46203E	Pralinator	MIX PADDLE LOCK STUD SMLL	1
5	48696	Pralinator	MIXING PADDLE (Pralinator)	1
6	46701	ALL	DRUM SEAL (Not Shown)	1
7	46651	ALL	RETAINING RING ASSEMBLY	1
8	76075	ALL	PLASTIC HANDLE	1
9	67216	ALL	LID ASSEMBLY	1
10	46203	Corn Treat	MIX PADDLE LOCK STUD	2
11	46288	Corn Treat	MIX DRUM (Corn Treat)	1
12	46532	Corn Treat	BLENDING STRIP	1
13	46286	Corn Treat	MIXING PADDLE (Corn Treat)	2
14	48677	Corn Treat	AGITATOR SHAFT EXTENSION	1
15	46119	ALL	BUSHING SEAL (Under Hub)	1



## Kettle Breakdown



Pralinator Assembly

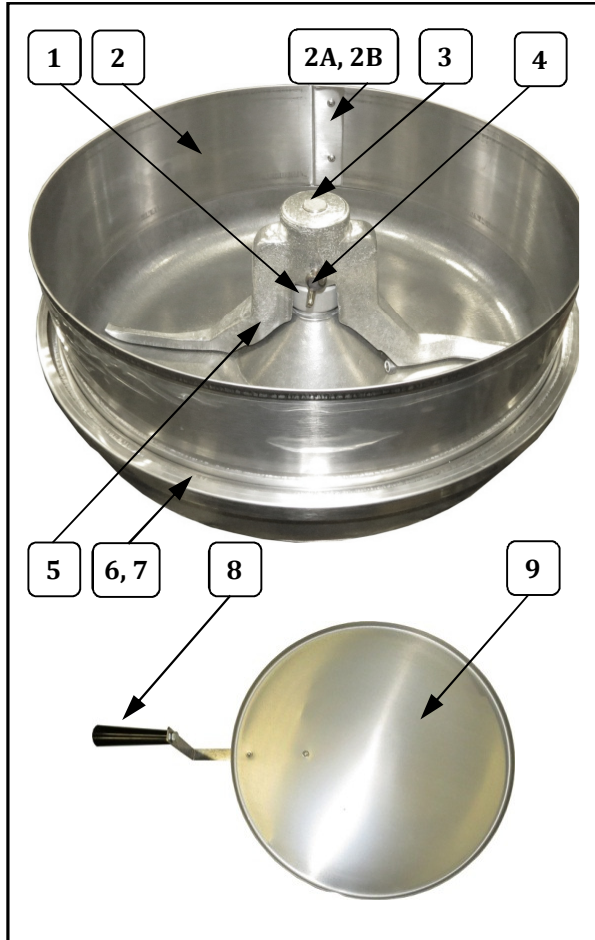


Corn Treat Assembly

Item	Part No.	Model(s)	Part Description	Qty.
1	46632	ALL	HUB SEAL ASSY CTC	1
2	67222	Pralinator	MIXING DRUM (Pralinator)	1
2A	12389	Pralinator	8-32 X3/8 PAN HD	2
2B	89126	ALL	8-32 Wing Nut	2
3	48678	ALL	AGITATOR SHAFT	1
4	46203E	Pralinator	MIX PADDLE LOCK STUD SMLL	1
5	48696	Pralinator	MIXING PADDLE (Pralinator)	1
6	46701	ALL	DRUM SEAL (Not Shown)	1
7	46651	ALL	RETAINING RING ASSEMBLY	1
8	76075	ALL	PLASTIC HANDLE	1
9	67216	ALL	LID ASSEMBLY	1
10	46203	Corn Treat	MIX PADDLE LOCK STUD	2
11	46288	Corn Treat	MIX DRUM (Corn Treat)	1
12	46532	Corn Treat	BLENDING STRIP	1
13	46286	Corn Treat	MIXING PADDLE (Corn Treat)	2
14	48677	Corn Treat	AGITATOR SHAFT EXTENSION	1
15	46119	ALL	BUSHING SEAL (Under Hub)	1



## Kettle Breakdown



Pralinator Assembly

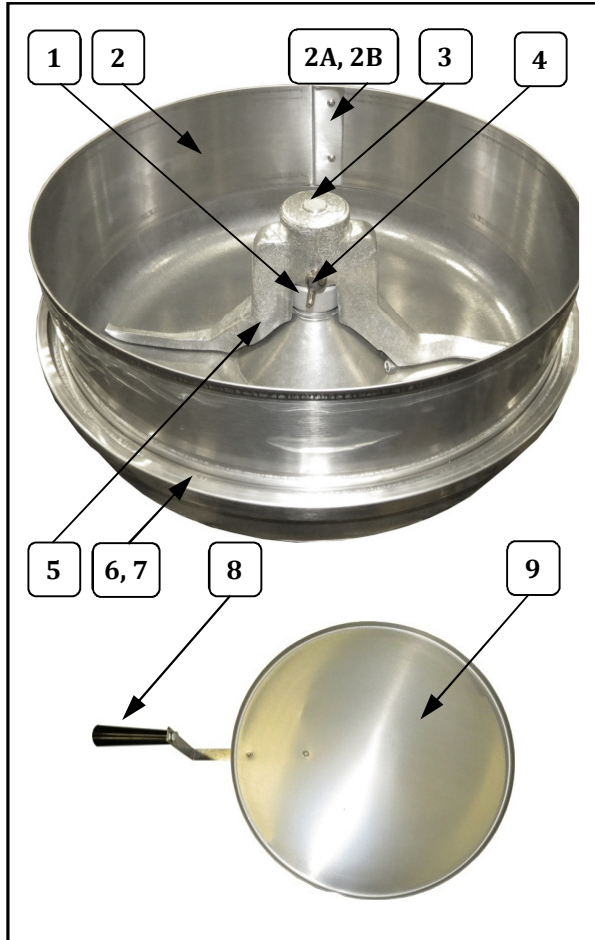


Corn Treat Assembly

Item	Part No.	Model(s)	Part Description	Qty.
1	46632	ALL	HUB SEAL ASSY CTC	1
2	67222	Pralinator	MIXING DRUM (Pralinator)	1
2A	12389	Pralinator	8-32 X3/8 PAN HD	2
2B	89126	ALL	8-32 Wing Nut	2
3	48678	ALL	AGITATOR SHAFT	1
4	46203E	Pralinator	MIX PADDLE LOCK STUD SMLL	1
5	48696	Pralinator	MIXING PADDLE (Pralinator)	1
6	46701	ALL	DRUM SEAL (Not Shown)	1
7	46651	ALL	RETAINING RING ASSEMBLY	1
8	76075	ALL	PLASTIC HANDLE	1
9	67216	ALL	LID ASSEMBLY	1
10	46203	Corn Treat	MIX PADDLE LOCK STUD	2
11	46288	Corn Treat	MIX DRUM (Corn Treat)	1
12	46532	Corn Treat	BLENDING STRIP	1
13	46286	Corn Treat	MIXING PADDLE (Corn Treat)	2
14	48677	Corn Treat	AGITATOR SHAFT EXTENSION	1
15	46119	ALL	BUSHING SEAL (Under Hub)	1



## Kettle Breakdown



Pralinator Assembly

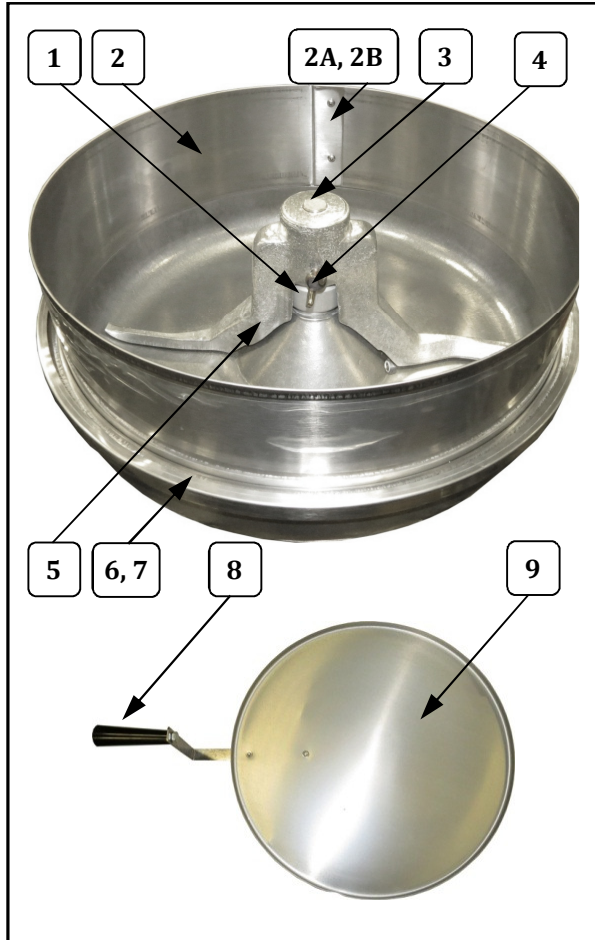


Corn Treat Assembly

Item	Part No.	Model(s)	Part Description	Qty.
1	46632	ALL	HUB SEAL ASSY CTC	1
2	67222	Pralinator	MIXING DRUM (Pralinator)	1
2A	12389	Pralinator	8-32 X3/8 PAN HD	2
2B	89126	ALL	8-32 Wing Nut	2
3	48678	ALL	AGITATOR SHAFT	1
4	46203E	Pralinator	MIX PADDLE LOCK STUD SMLL	1
5	48696	Pralinator	MIXING PADDLE (Pralinator)	1
6	46701	ALL	DRUM SEAL (Not Shown)	1
7	46651	ALL	RETAINING RING ASSEMBLY	1
8	76075	ALL	PLASTIC HANDLE	1
9	67216	ALL	LID ASSEMBLY	1
10	46203	Corn Treat	MIX PADDLE LOCK STUD	2
11	46288	Corn Treat	MIX DRUM (Corn Treat)	1
12	46532	Corn Treat	BLENDING STRIP	1
13	46286	Corn Treat	MIXING PADDLE (Corn Treat)	2
14	48677	Corn Treat	AGITATOR SHAFT EXTENSION	1
15	46119	ALL	BUSHING SEAL (Under Hub)	1



## Kettle Breakdown



Pralinator Assembly

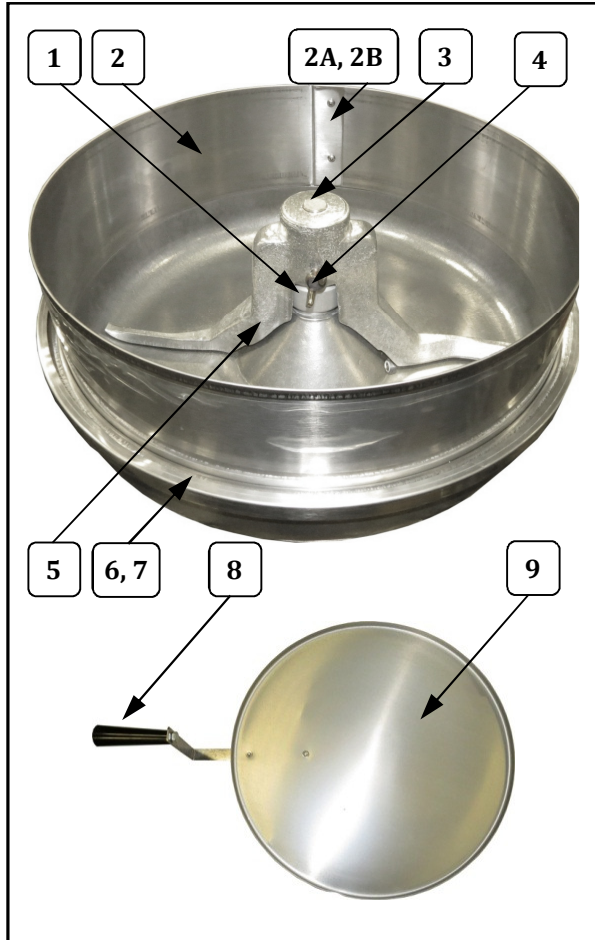


Corn Treat Assembly

Item	Part No.	Model(s)	Part Description	Qty.
1	46632	ALL	HUB SEAL ASSY CTC	1
2	67222	Pralinator	MIXING DRUM (Pralinator)	1
2A	12389	Pralinator	8-32 X3/8 PAN HD	2
2B	89126	ALL	8-32 Wing Nut	2
3	48678	ALL	AGITATOR SHAFT	1
4	46203E	Pralinator	MIX PADDLE LOCK STUD SMLL	1
5	48696	Pralinator	MIXING PADDLE (Pralinator)	1
6	46701	ALL	DRUM SEAL (Not Shown)	1
7	46651	ALL	RETAINING RING ASSEMBLY	1
8	76075	ALL	PLASTIC HANDLE	1
9	67216	ALL	LID ASSEMBLY	1
10	46203	Corn Treat	MIX PADDLE LOCK STUD	2
11	46288	Corn Treat	MIX DRUM (Corn Treat)	1
12	46532	Corn Treat	BLENDING STRIP	1
13	46286	Corn Treat	MIXING PADDLE (Corn Treat)	2
14	48677	Corn Treat	AGITATOR SHAFT EXTENSION	1
15	46119	ALL	BUSHING SEAL (Under Hub)	1



## Kettle Breakdown



Pralinator Assembly

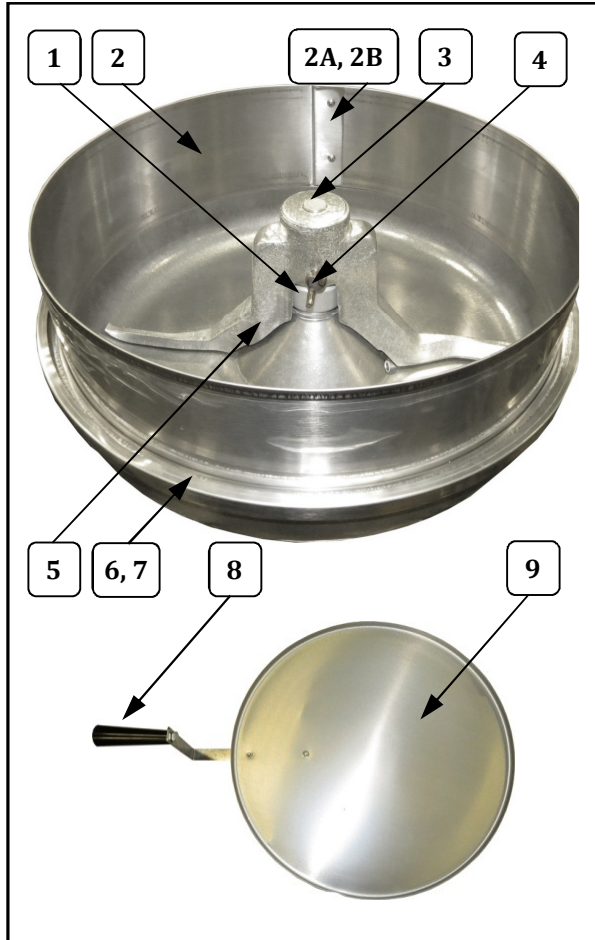


Corn Treat Assembly

Item	Part No.	Model(s)	Part Description	Qty.
1	46632	ALL	HUB SEAL ASSY CTC	1
2	67222	Pralinator	MIXING DRUM (Pralinator)	1
2A	12389	Pralinator	8-32 X3/8 PAN HD	2
2B	89126	ALL	8-32 Wing Nut	2
3	48678	ALL	AGITATOR SHAFT	1
4	46203E	Pralinator	MIX PADDLE LOCK STUD SMLL	1
5	48696	Pralinator	MIXING PADDLE (Pralinator)	1
6	46701	ALL	DRUM SEAL (Not Shown)	1
7	46651	ALL	RETAINING RING ASSEMBLY	1
8	76075	ALL	PLASTIC HANDLE	1
9	67216	ALL	LID ASSEMBLY	1
10	46203	Corn Treat	MIX PADDLE LOCK STUD	2
11	46288	Corn Treat	MIX DRUM (Corn Treat)	1
12	46532	Corn Treat	BLENDING STRIP	1
13	46286	Corn Treat	MIXING PADDLE (Corn Treat)	2
14	48677	Corn Treat	AGITATOR SHAFT EXTENSION	1
15	46119	ALL	BUSHING SEAL (Under Hub)	1



## Kettle Breakdown



Pralinator Assembly

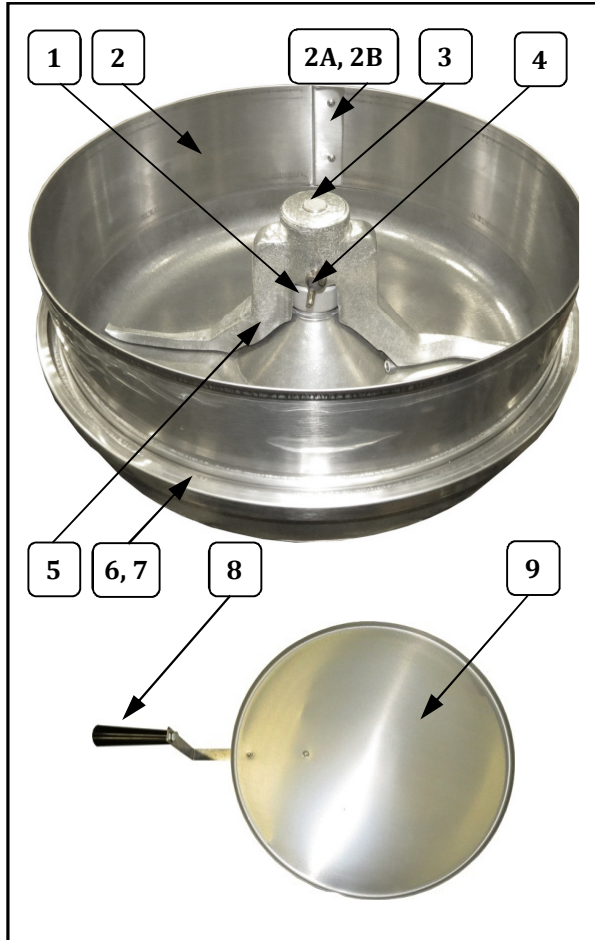


Corn Treat Assembly

Item	Part No.	Model(s)	Part Description	Qty.
1	46632	ALL	HUB SEAL ASSY CTC	1
2	67222	Pralinator	MIXING DRUM (Pralinator)	1
2A	12389	Pralinator	8-32 X3/8 PAN HD	2
2B	89126	ALL	8-32 Wing Nut	2
3	48678	ALL	AGITATOR SHAFT	1
4	46203E	Pralinator	MIX PADDLE LOCK STUD SMLL	1
5	48696	Pralinator	MIXING PADDLE (Pralinator)	1
6	46701	ALL	DRUM SEAL (Not Shown)	1
7	46651	ALL	RETAINING RING ASSEMBLY	1
8	76075	ALL	PLASTIC HANDLE	1
9	67216	ALL	LID ASSEMBLY	1
10	46203	Corn Treat	MIX PADDLE LOCK STUD	2
11	46288	Corn Treat	MIX DRUM (Corn Treat)	1
12	46532	Corn Treat	BLENDING STRIP	1
13	46286	Corn Treat	MIXING PADDLE (Corn Treat)	2
14	48677	Corn Treat	AGITATOR SHAFT EXTENSION	1
15	46119	ALL	BUSHING SEAL (Under Hub)	1



## Kettle Breakdown



Pralinator Assembly

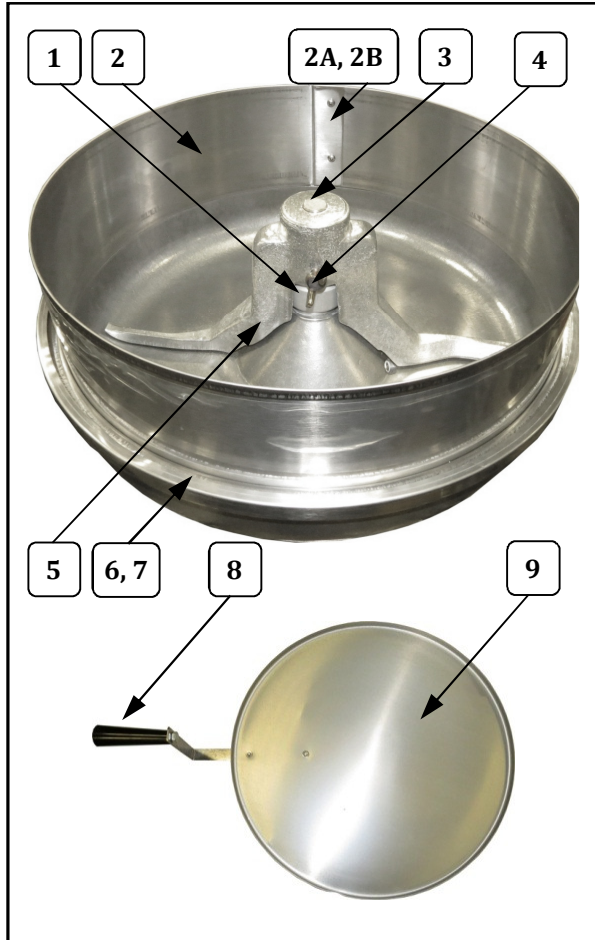


Corn Treat Assembly

Item	Part No.	Model(s)	Part Description	Qty.
1	46632	ALL	HUB SEAL ASSY CTC	1
2	67222	Pralinator	MIXING DRUM (Pralinator)	1
2A	12389	Pralinator	8-32 X3/8 PAN HD	2
2B	89126	ALL	8-32 Wing Nut	2
3	48678	ALL	AGITATOR SHAFT	1
4	46203E	Pralinator	MIX PADDLE LOCK STUD SMLL	1
5	48696	Pralinator	MIXING PADDLE (Pralinator)	1
6	46701	ALL	DRUM SEAL (Not Shown)	1
7	46651	ALL	RETAINING RING ASSEMBLY	1
8	76075	ALL	PLASTIC HANDLE	1
9	67216	ALL	LID ASSEMBLY	1
10	46203	Corn Treat	MIX PADDLE LOCK STUD	2
11	46288	Corn Treat	MIX DRUM (Corn Treat)	1
12	46532	Corn Treat	BLENDING STRIP	1
13	46286	Corn Treat	MIXING PADDLE (Corn Treat)	2
14	48677	Corn Treat	AGITATOR SHAFT EXTENSION	1
15	46119	ALL	BUSHING SEAL (Under Hub)	1



## Kettle Breakdown



Pralinator Assembly

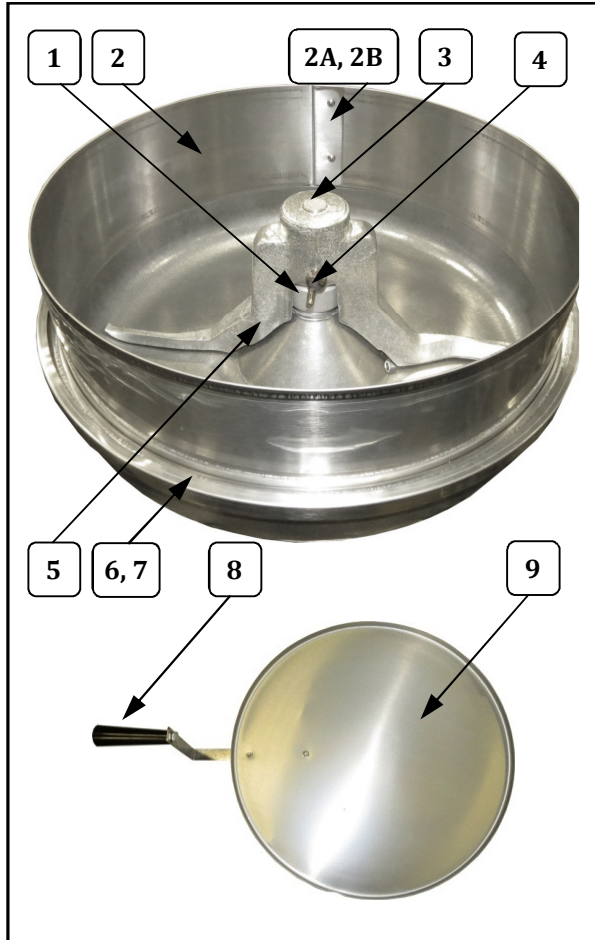


Corn Treat Assembly

Item	Part No.	Model(s)	Part Description	Qty.
1	46632	ALL	HUB SEAL ASSY CTC	1
2	67222	Pralinator	MIXING DRUM (Pralinator)	1
2A	12389	Pralinator	8-32 X3/8 PAN HD	2
2B	89126	ALL	8-32 Wing Nut	2
3	48678	ALL	AGITATOR SHAFT	1
4	46203E	Pralinator	MIX PADDLE LOCK STUD SMLL	1
5	48696	Pralinator	MIXING PADDLE (Pralinator)	1
6	46701	ALL	DRUM SEAL (Not Shown)	1
7	46651	ALL	RETAINING RING ASSEMBLY	1
8	76075	ALL	PLASTIC HANDLE	1
9	67216	ALL	LID ASSEMBLY	1
10	46203	Corn Treat	MIX PADDLE LOCK STUD	2
11	46288	Corn Treat	MIX DRUM (Corn Treat)	1
12	46532	Corn Treat	BLENDING STRIP	1
13	46286	Corn Treat	MIXING PADDLE (Corn Treat)	2
14	48677	Corn Treat	AGITATOR SHAFT EXTENSION	1
15	46119	ALL	BUSHING SEAL (Under Hub)	1



## Kettle Breakdown



Pralinator Assembly

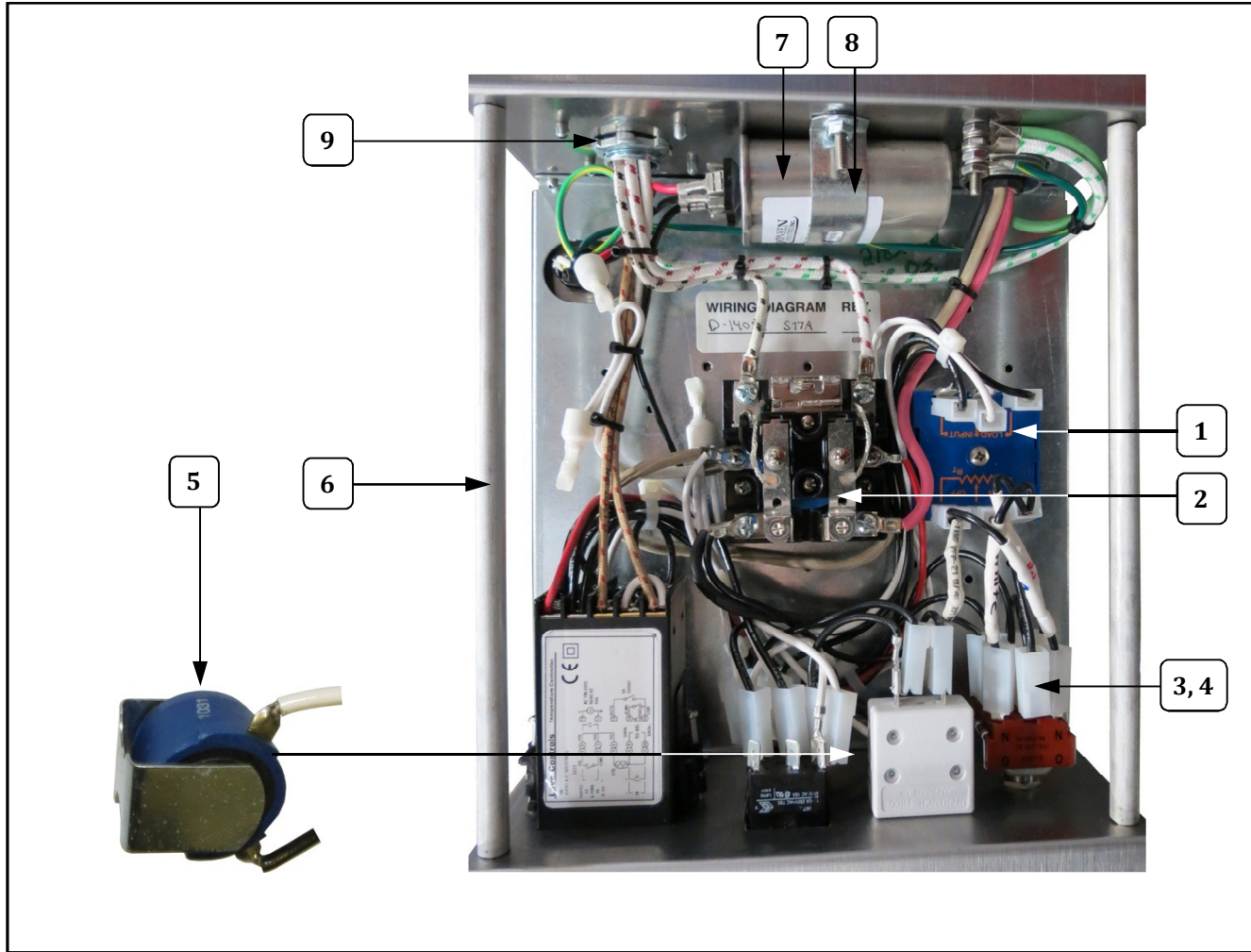


Corn Treat Assembly

Item	Part No.	Model(s)	Part Description	Qty.
1	46632	ALL	HUB SEAL ASSY CTC	1
2	67222	Pralinator	MIXING DRUM (Pralinator)	1
2A	12389	Pralinator	8-32 X3/8 PAN HD	2
2B	89126	ALL	8-32 Wing Nut	2
3	48678	ALL	AGITATOR SHAFT	1
4	46203E	Pralinator	MIX PADDLE LOCK STUD SMLL	1
5	48696	Pralinator	MIXING PADDLE (Pralinator)	1
6	46701	ALL	DRUM SEAL (Not Shown)	1
7	46651	ALL	RETAINING RING ASSEMBLY	1
8	76075	ALL	PLASTIC HANDLE	1
9	67216	ALL	LID ASSEMBLY	1
10	46203	Corn Treat	MIX PADDLE LOCK STUD	2
11	46288	Corn Treat	MIX DRUM (Corn Treat)	1
12	46532	Corn Treat	BLENDING STRIP	1
13	46286	Corn Treat	MIXING PADDLE (Corn Treat)	2
14	48677	Corn Treat	AGITATOR SHAFT EXTENSION	1
15	46119	ALL	BUSHING SEAL (Under Hub)	1



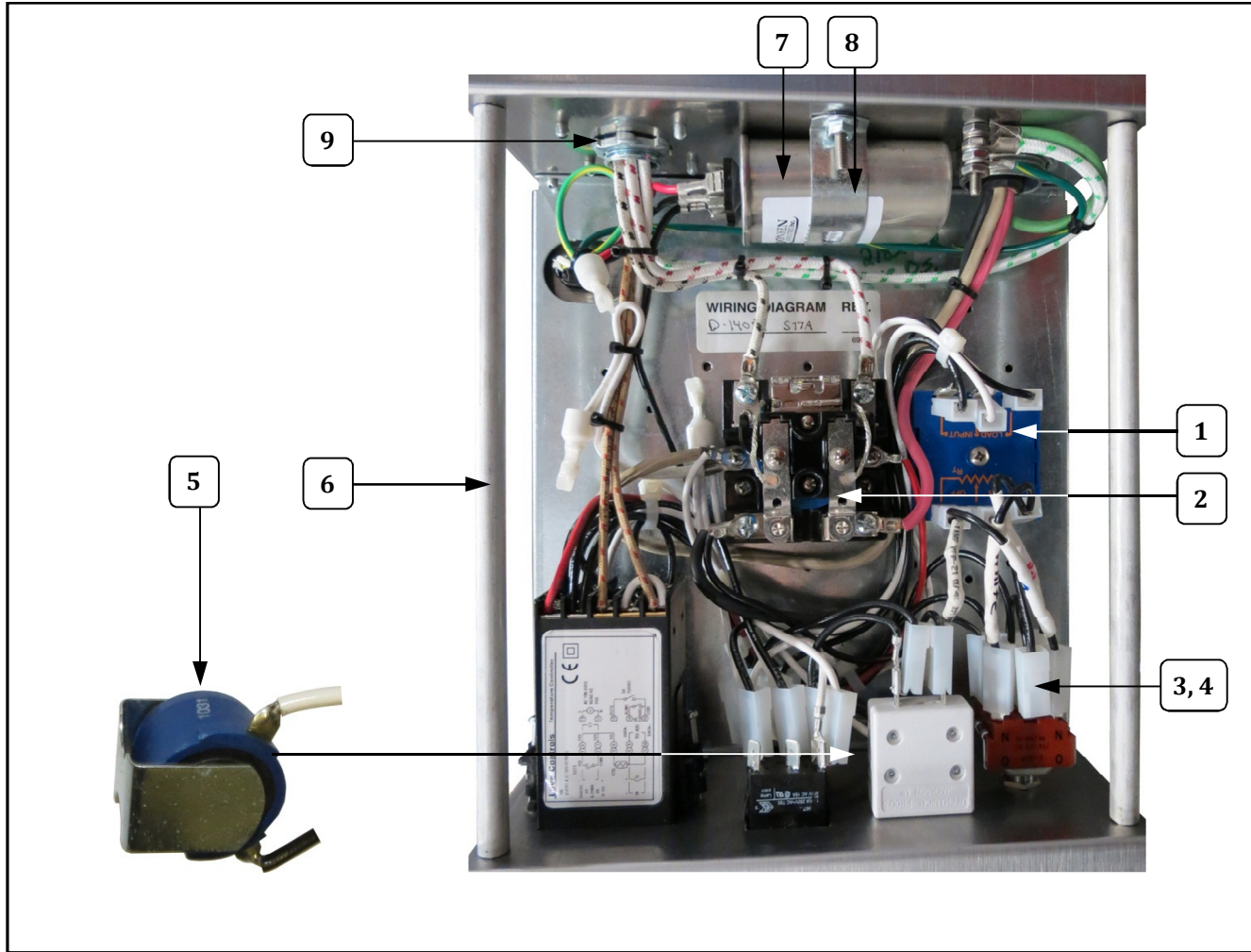
## Control Box Electronics



Item	Part No.	Model(s)	Part Description	Qty.
1	<a href="#">48688</a>	2182EL/ER	TIMER, PERCENTAGE 60 SEC	1
	<a href="#">48688EX</a>	2182XL/XR	TIMER, PERCENTAGE 60 SEC	
2	<a href="#">55219</a>	2182EL/ER	RELAY, 30A DPST 120V	1
	<a href="#">55219EX</a>	2182XL/XR	RELAY, 30A DPST 240V	
3	<a href="#">48612</a>	2182EL/ER	RESISTOR, 5K 8 WATT	1
	<a href="#">48612EX</a>	2182XL/XR	RESISTOR, 10K 8 WATT	
4	<a href="#">48689</a>	ALL	RESISTOR, 240K 1/2 WATT	1
	<a href="#">48690</a>	ALL	RESISTOR, 750K 1/2 WATT	
	<a href="#">48691</a>	ALL	RESISTOR, 910K 1/2 WATT	
	<a href="#">48692</a>	ALL	RESISTOR, 82K 1/2 WATT	
5	<a href="#">46118</a>	2182EL/ER	BUZZER SIGNAL	1
	<a href="#">46120</a>	2182XL/XR	BUZZER SIGNAL 240 VAC	
6	<a href="#">55458</a>	ALL	CONTROL BOX SUPPORT	2
7	<a href="#">46107</a>	ALL	MOTOR CAPACITOR	1
8	<a href="#">48301</a>	ALL	CAPACITOR STRAP	1
9	<a href="#">55351</a>	ALL	LOCK NUT	1



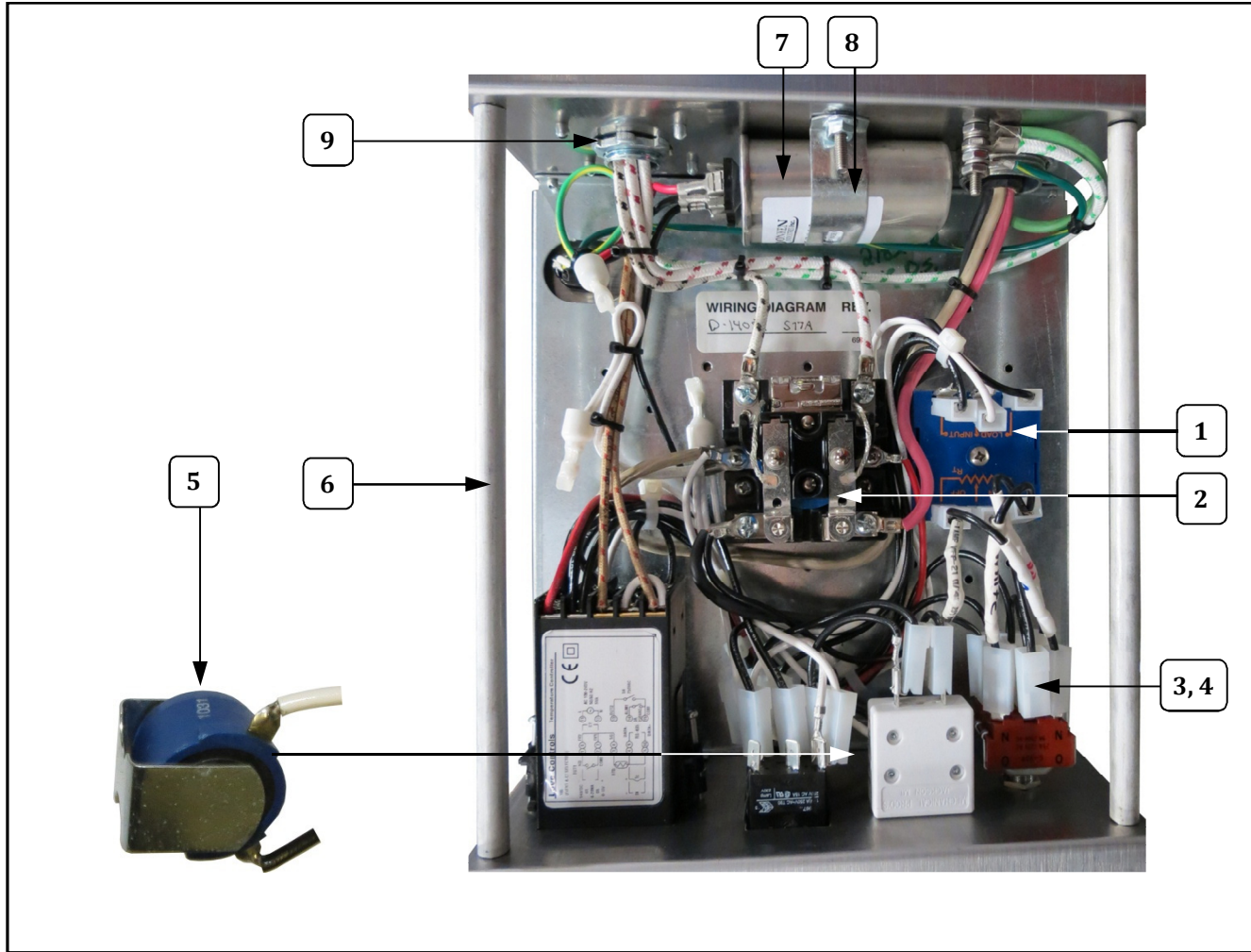
## Control Box Electronics



Item	Part No.	Model(s)	Part Description	Qty.
1	<a href="#">48688</a>	2182EL/ER	TIMER, PERCENTAGE 60 SEC	1
	<a href="#">48688EX</a>	2182XL/XR	TIMER, PERCENTAGE 60 SEC	
2	<a href="#">55219</a>	2182EL/ER	RELAY, 30A DPST 120V	1
	<a href="#">55219EX</a>	2182XL/XR	RELAY, 30A DPST 240V	
3	<a href="#">48612</a>	2182EL/ER	RESISTOR, 5K 8 WATT	1
	<a href="#">48612EX</a>	2182XL/XR	RESISTOR, 10K 8 WATT	
4	<a href="#">48689</a>	ALL	RESISTOR, 240K 1/2 WATT	1
	<a href="#">48690</a>	ALL	RESISTOR, 750K 1/2 WATT	
	<a href="#">48691</a>	ALL	RESISTOR, 910K 1/2 WATT	
	<a href="#">48692</a>	ALL	RESISTOR, 82K 1/2 WATT	
5	<a href="#">46118</a>	2182EL/ER	BUZZER SIGNAL	1
	<a href="#">46120</a>	2182XL/XR	BUZZER SIGNAL 240 VAC	
6	<a href="#">55458</a>	ALL	CONTROL BOX SUPPORT	2
7	<a href="#">46107</a>	ALL	MOTOR CAPACITOR	1
8	<a href="#">48301</a>	ALL	CAPACITOR STRAP	1
9	<a href="#">55351</a>	ALL	LOCK NUT	1



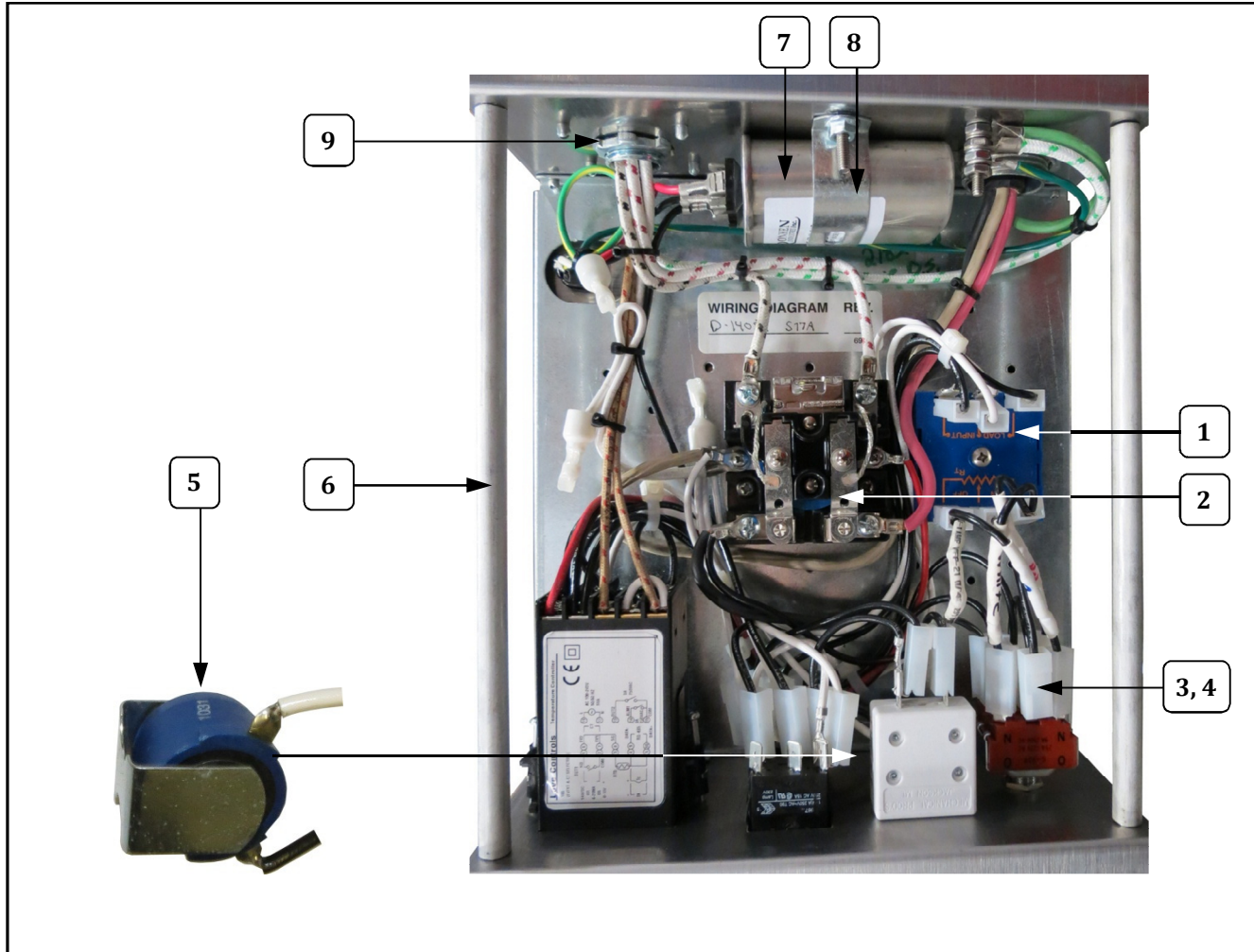
## Control Box Electronics



Item	Part No.	Model(s)	Part Description	Qty.
1	<a href="#">48688</a>	2182EL/ER	TIMER, PERCENTAGE 60 SEC	1
	<a href="#">48688EX</a>	2182XL/XR	TIMER, PERCENTAGE 60 SEC	
2	<a href="#">55219</a>	2182EL/ER	RELAY, 30A DPST 120V	1
	<a href="#">55219EX</a>	2182XL/XR	RELAY, 30A DPST 240V	
3	<a href="#">48612</a>	2182EL/ER	RESISTOR, 5K 8 WATT	1
	<a href="#">48612EX</a>	2182XL/XR	RESISTOR, 10K 8 WATT	
4	<a href="#">48689</a>	ALL	RESISTOR, 240K 1/2 WATT	1
	<a href="#">48690</a>	ALL	RESISTOR, 750K 1/2 WATT	
	<a href="#">48691</a>	ALL	RESISTOR, 910K 1/2 WATT	
	<a href="#">48692</a>	ALL	RESISTOR, 82K 1/2 WATT	
5	<a href="#">46118</a>	2182EL/ER	BUZZER SIGNAL	1
	<a href="#">46120</a>	2182XL/XR	BUZZER SIGNAL 240 VAC	
6	<a href="#">55458</a>	ALL	CONTROL BOX SUPPORT	2
7	<a href="#">46107</a>	ALL	MOTOR CAPACITOR	1
8	<a href="#">48301</a>	ALL	CAPACITOR STRAP	1
9	<a href="#">55351</a>	ALL	LOCK NUT	1



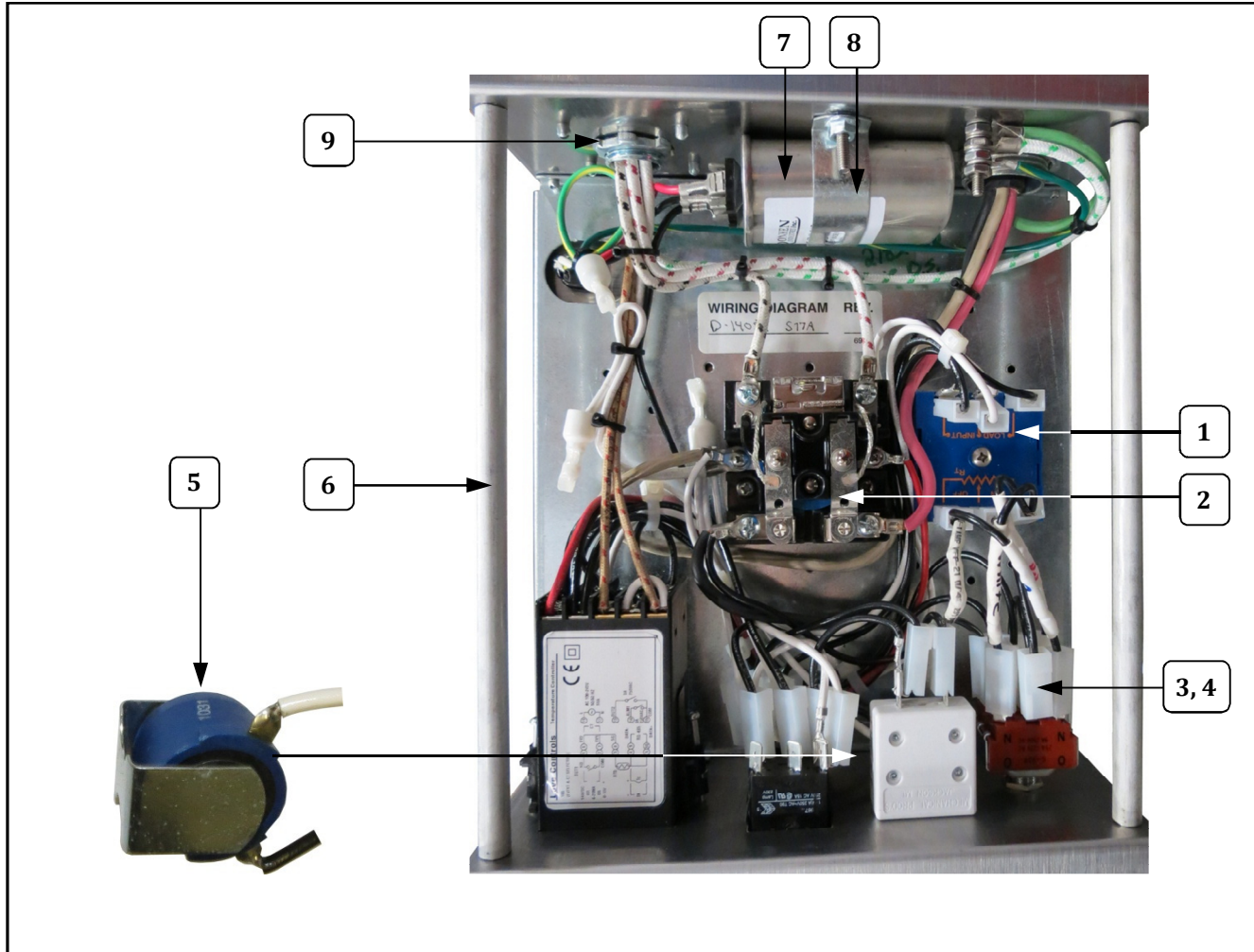
## Control Box Electronics



Item	Part No.	Model(s)	Part Description	Qty.
1	<a href="#">48688</a>	2182EL/ER	TIMER, PERCENTAGE 60 SEC	1
	<a href="#">48688EX</a>	2182XL/XR	TIMER, PERCENTAGE 60 SEC	
2	<a href="#">55219</a>	2182EL/ER	RELAY, 30A DPST 120V	1
	<a href="#">55219EX</a>	2182XL/XR	RELAY, 30A DPST 240V	
3	<a href="#">48612</a>	2182EL/ER	RESISTOR, 5K 8 WATT	1
	<a href="#">48612EX</a>	2182XL/XR	RESISTOR, 10K 8 WATT	
4	<a href="#">48689</a>	ALL	RESISTOR, 240K 1/2 WATT	1
	<a href="#">48690</a>	ALL	RESISTOR, 750K 1/2 WATT	
	<a href="#">48691</a>	ALL	RESISTOR, 910K 1/2 WATT	
	<a href="#">48692</a>	ALL	RESISTOR, 82K 1/2 WATT	
5	<a href="#">46118</a>	2182EL/ER	BUZZER SIGNAL	1
	<a href="#">46120</a>	2182XL/XR	BUZZER SIGNAL 240 VAC	
6	<a href="#">55458</a>	ALL	CONTROL BOX SUPPORT	2
7	<a href="#">46107</a>	ALL	MOTOR CAPACITOR	1
8	<a href="#">48301</a>	ALL	CAPACITOR STRAP	1
9	<a href="#">55351</a>	ALL	LOCK NUT	1



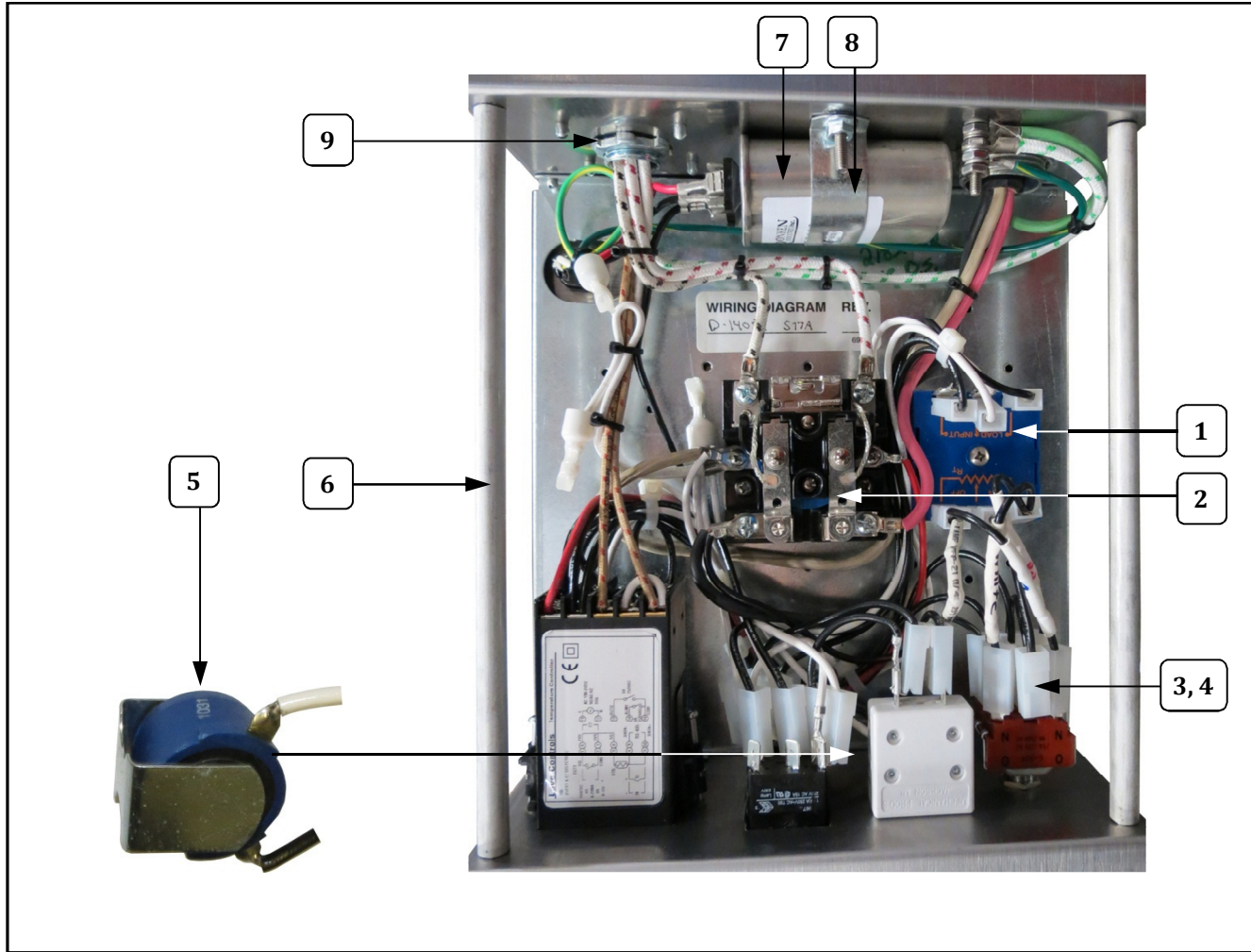
## Control Box Electronics



Item	Part No.	Model(s)	Part Description	Qty.
1	<a href="#">48688</a>	2182EL/ER	TIMER, PERCENTAGE 60 SEC	1
	<a href="#">48688EX</a>	2182XL/XR	TIMER, PERCENTAGE 60 SEC	
2	<a href="#">55219</a>	2182EL/ER	RELAY, 30A DPST 120V	1
	<a href="#">55219EX</a>	2182XL/XR	RELAY, 30A DPST 240V	
3	<a href="#">48612</a>	2182EL/ER	RESISTOR, 5K 8 WATT	1
	<a href="#">48612EX</a>	2182XL/XR	RESISTOR, 10K 8 WATT	
4	<a href="#">48689</a>	ALL	RESISTOR, 240K 1/2 WATT	1
	<a href="#">48690</a>	ALL	RESISTOR, 750K 1/2 WATT	
	<a href="#">48691</a>	ALL	RESISTOR, 910K 1/2 WATT	
	<a href="#">48692</a>	ALL	RESISTOR, 82K 1/2 WATT	
5	<a href="#">46118</a>	2182EL/ER	BUZZER SIGNAL	1
	<a href="#">46120</a>	2182XL/XR	BUZZER SIGNAL 240 VAC	
6	<a href="#">55458</a>	ALL	CONTROL BOX SUPPORT	2
7	<a href="#">46107</a>	ALL	MOTOR CAPACITOR	1
8	<a href="#">48301</a>	ALL	CAPACITOR STRAP	1
9	<a href="#">55351</a>	ALL	LOCK NUT	1



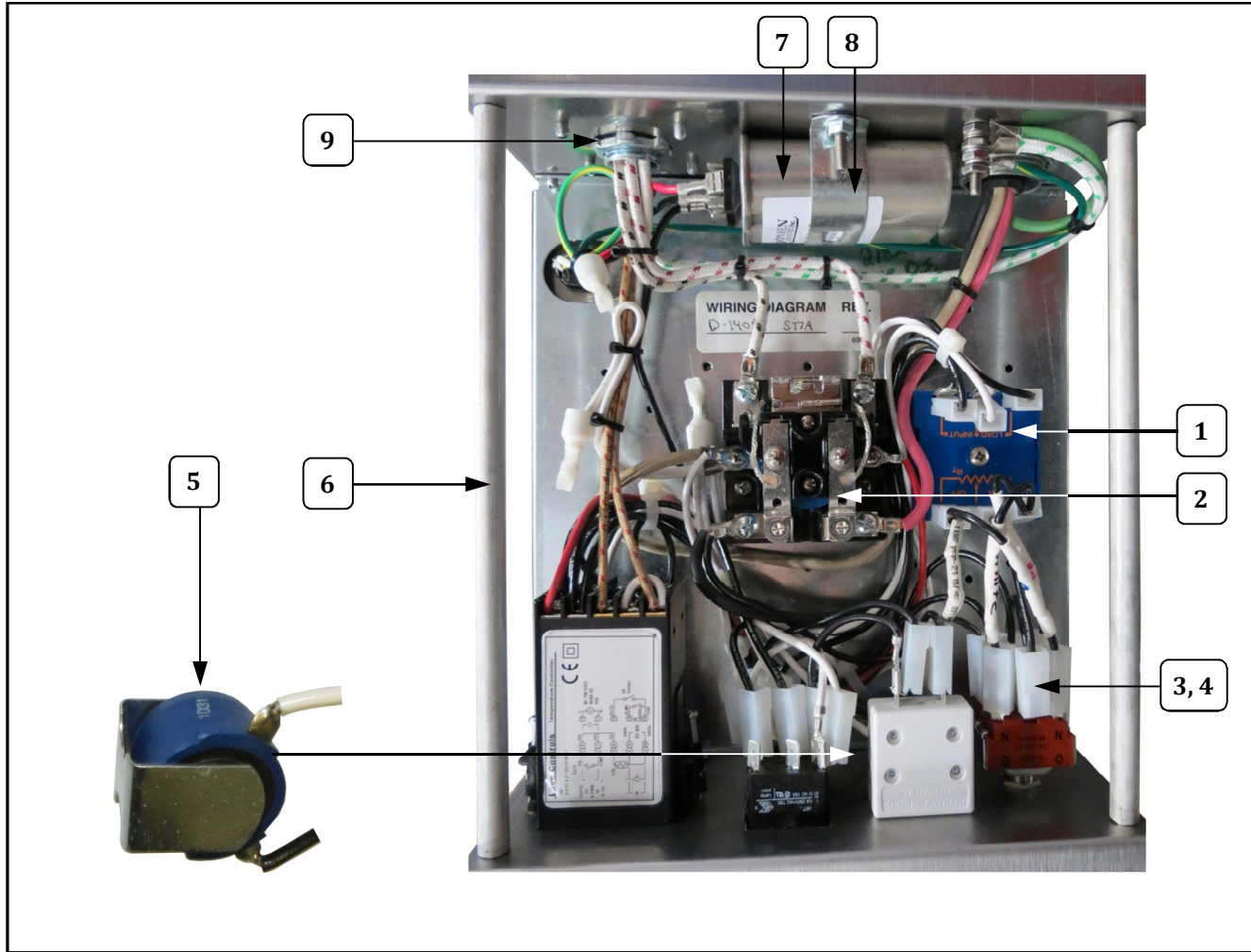
## Control Box Electronics



Item	Part No.	Model(s)	Part Description	Qty.
1	<a href="#">48688</a>	2182EL/ER	TIMER, PERCENTAGE 60 SEC	1
	<a href="#">48688EX</a>	2182XL/XR	TIMER, PERCENTAGE 60 SEC	
2	<a href="#">55219</a>	2182EL/ER	RELAY, 30A DPST 120V	1
	<a href="#">55219EX</a>	2182XL/XR	RELAY, 30A DPST 240V	
3	<a href="#">48612</a>	2182EL/ER	RESISTOR, 5K 8 WATT	1
	<a href="#">48612EX</a>	2182XL/XR	RESISTOR, 10K 8 WATT	
4	<a href="#">48689</a>	ALL	RESISTOR, 240K 1/2 WATT	1
	<a href="#">48690</a>	ALL	RESISTOR, 750K 1/2 WATT	
	<a href="#">48691</a>	ALL	RESISTOR, 910K 1/2 WATT	
	<a href="#">48692</a>	ALL	RESISTOR, 82K 1/2 WATT	
5	<a href="#">46118</a>	2182EL/ER	BUZZER SIGNAL	1
	<a href="#">46120</a>	2182XL/XR	BUZZER SIGNAL 240 VAC	
6	<a href="#">55458</a>	ALL	CONTROL BOX SUPPORT	2
7	<a href="#">46107</a>	ALL	MOTOR CAPACITOR	1
8	<a href="#">48301</a>	ALL	CAPACITOR STRAP	1
9	<a href="#">55351</a>	ALL	LOCK NUT	1



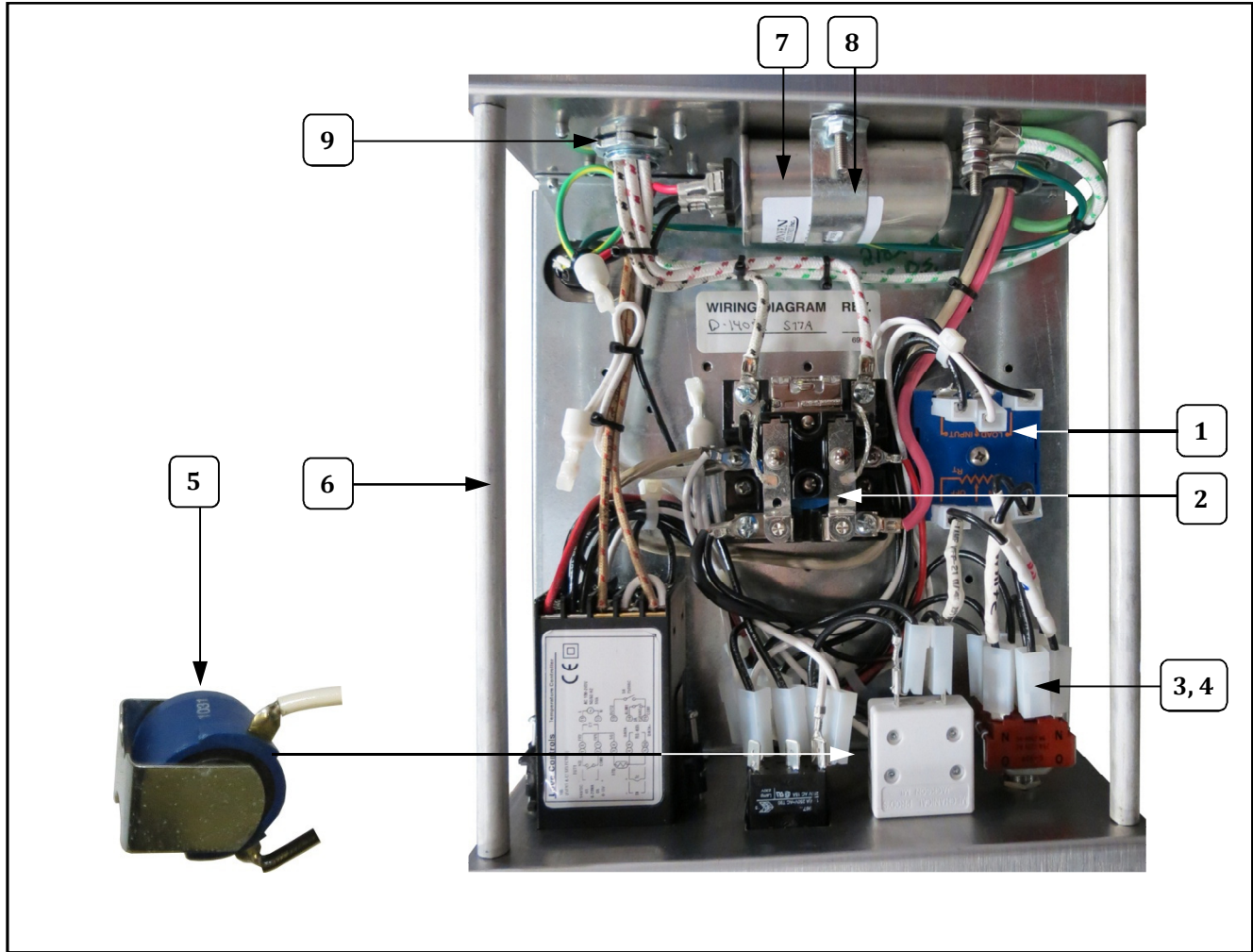
## Control Box Electronics



Item	Part No.	Model(s)	Part Description	Qty.
1	<a href="#">48688</a>	2182EL/ER	TIMER, PERCENTAGE 60 SEC	1
	<a href="#">48688EX</a>	2182XL/XR	TIMER, PERCENTAGE 60 SEC	
2	<a href="#">55219</a>	2182EL/ER	RELAY, 30A DPST 120V	1
	<a href="#">55219EX</a>	2182XL/XR	RELAY, 30A DPST 240V	
3	<a href="#">48612</a>	2182EL/ER	RESISTOR, 5K 8 WATT	1
	<a href="#">48612EX</a>	2182XL/XR	RESISTOR, 10K 8 WATT	
4	<a href="#">48689</a>	ALL	RESISTOR, 240K 1/2 WATT	1
	<a href="#">48690</a>	ALL	RESISTOR, 750K 1/2 WATT	
	<a href="#">48691</a>	ALL	RESISTOR, 910K 1/2 WATT	
	<a href="#">48692</a>	ALL	RESISTOR, 82K 1/2 WATT	
5	<a href="#">46118</a>	2182EL/ER	BUZZER SIGNAL	1
	<a href="#">46120</a>	2182XL/XR	BUZZER SIGNAL 240 VAC	
6	<a href="#">55458</a>	ALL	CONTROL BOX SUPPORT	2
7	<a href="#">46107</a>	ALL	MOTOR CAPACITOR	1
8	<a href="#">48301</a>	ALL	CAPACITOR STRAP	1
9	<a href="#">55351</a>	ALL	LOCK NUT	1



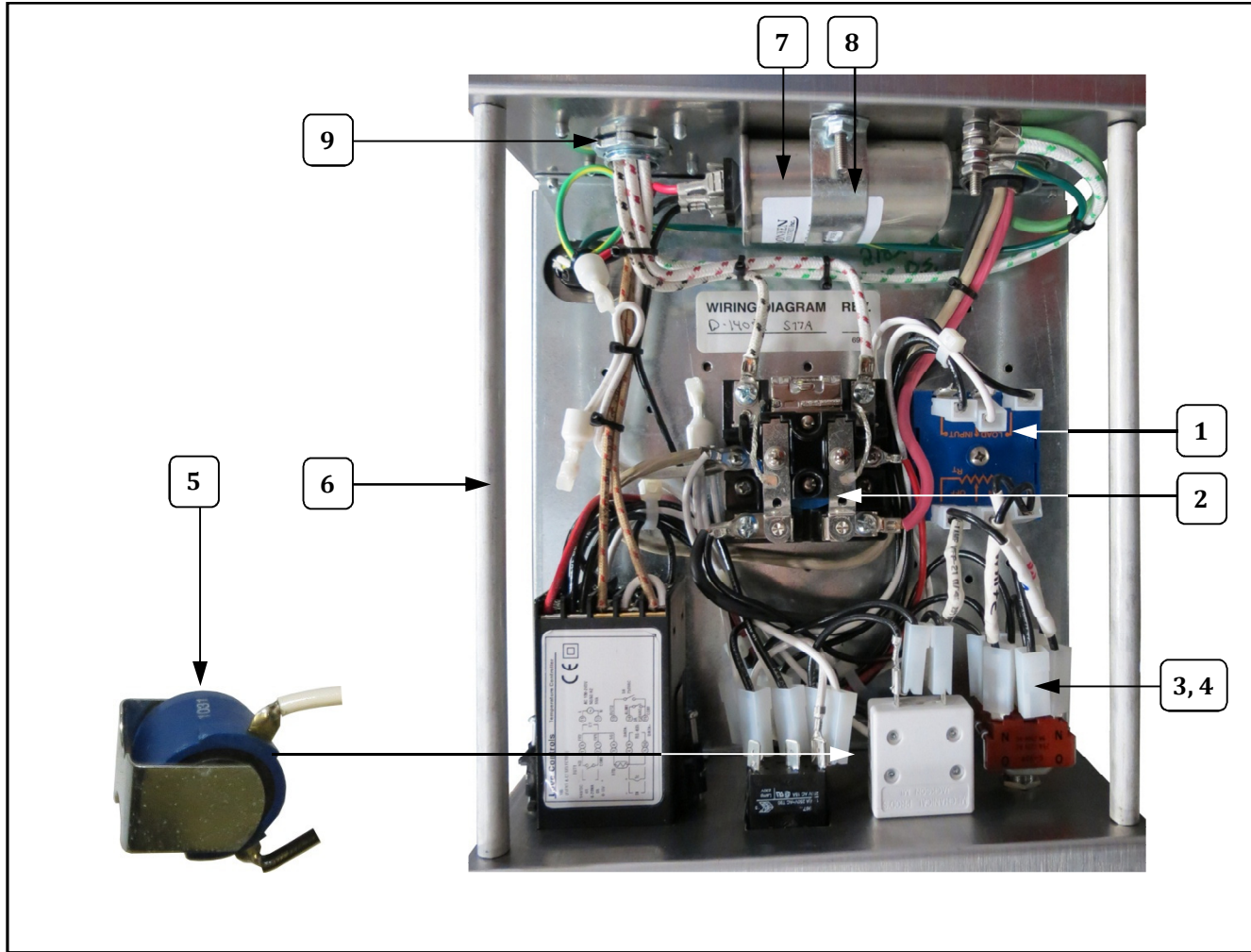
## Control Box Electronics



Item	Part No.	Model(s)	Part Description	Qty.
1	<a href="#">48688</a>	2182EL/ER	TIMER, PERCENTAGE 60 SEC	1
	<a href="#">48688EX</a>	2182XL/XR	TIMER, PERCENTAGE 60 SEC	
2	<a href="#">55219</a>	2182EL/ER	RELAY, 30A DPST 120V	1
	<a href="#">55219EX</a>	2182XL/XR	RELAY, 30A DPST 240V	
3	<a href="#">48612</a>	2182EL/ER	RESISTOR, 5K 8 WATT	1
	<a href="#">48612EX</a>	2182XL/XR	RESISTOR, 10K 8 WATT	
4	<a href="#">48689</a>	ALL	RESISTOR, 240K 1/2 WATT	1
	<a href="#">48690</a>	ALL	RESISTOR, 750K 1/2 WATT	
	<a href="#">48691</a>	ALL	RESISTOR, 910K 1/2 WATT	
	<a href="#">48692</a>	ALL	RESISTOR, 82K 1/2 WATT	
5	<a href="#">46118</a>	2182EL/ER	BUZZER SIGNAL	1
	<a href="#">46120</a>	2182XL/XR	BUZZER SIGNAL 240 VAC	
6	<a href="#">55458</a>	ALL	CONTROL BOX SUPPORT	2
7	<a href="#">46107</a>	ALL	MOTOR CAPACITOR	1
8	<a href="#">48301</a>	ALL	CAPACITOR STRAP	1
9	<a href="#">55351</a>	ALL	LOCK NUT	1



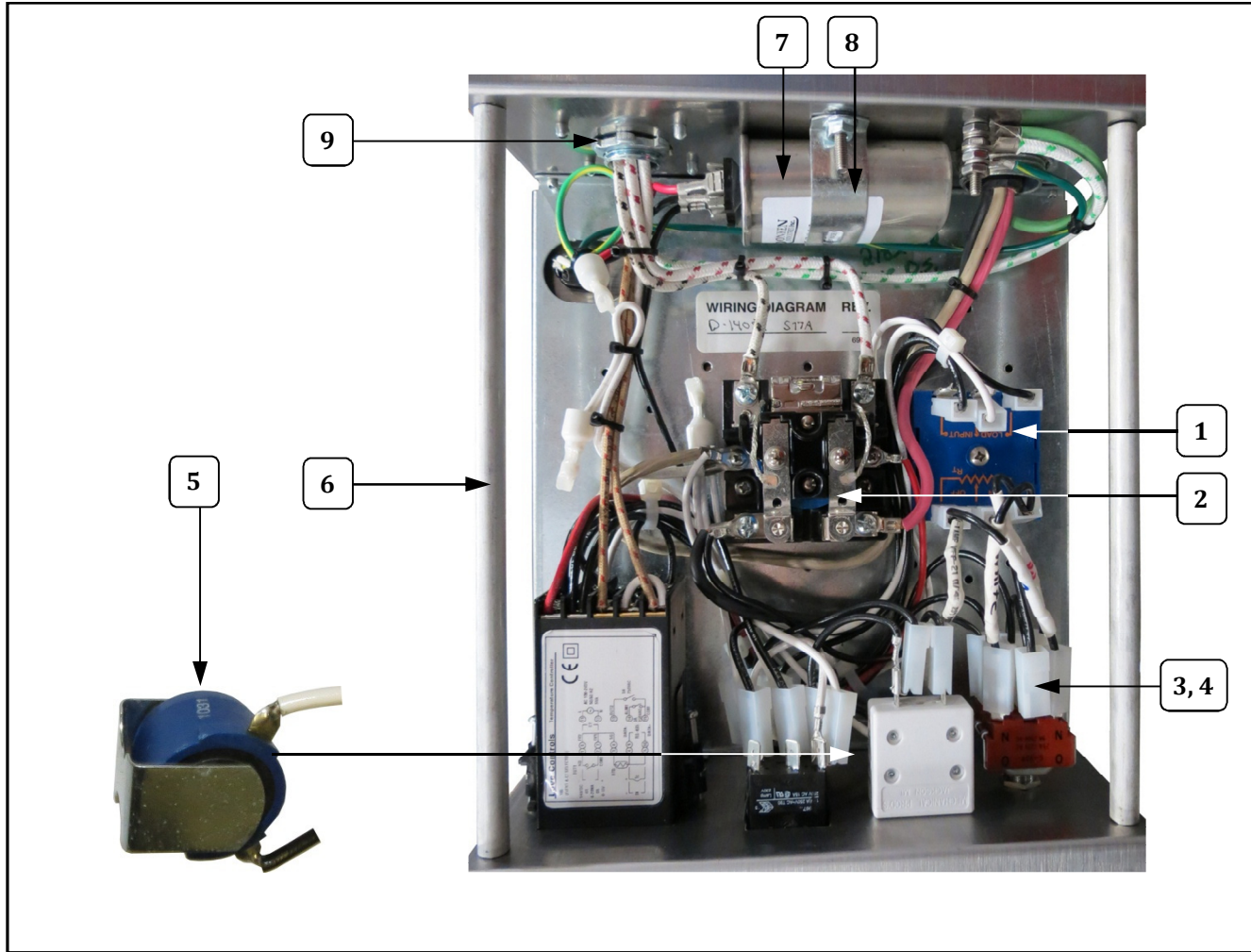
## Control Box Electronics



Item	Part No.	Model(s)	Part Description	Qty.
1	<a href="#">48688</a>	2182EL/ER	TIMER, PERCENTAGE 60 SEC	1
	<a href="#">48688EX</a>	2182XL/XR	TIMER, PERCENTAGE 60 SEC	
2	<a href="#">55219</a>	2182EL/ER	RELAY, 30A DPST 120V	1
	<a href="#">55219EX</a>	2182XL/XR	RELAY, 30A DPST 240V	
3	<a href="#">48612</a>	2182EL/ER	RESISTOR, 5K 8 WATT	1
	<a href="#">48612EX</a>	2182XL/XR	RESISTOR, 10K 8 WATT	
4	<a href="#">48689</a>	ALL	RESISTOR, 240K 1/2 WATT	1
	<a href="#">48690</a>	ALL	RESISTOR, 750K 1/2 WATT	
	<a href="#">48691</a>	ALL	RESISTOR, 910K 1/2 WATT	
	<a href="#">48692</a>	ALL	RESISTOR, 82K 1/2 WATT	
5	<a href="#">46118</a>	2182EL/ER	BUZZER SIGNAL	1
	<a href="#">46120</a>	2182XL/XR	BUZZER SIGNAL 240 VAC	
6	<a href="#">55458</a>	ALL	CONTROL BOX SUPPORT	2
7	<a href="#">46107</a>	ALL	MOTOR CAPACITOR	1
8	<a href="#">48301</a>	ALL	CAPACITOR STRAP	1
9	<a href="#">55351</a>	ALL	LOCK NUT	1



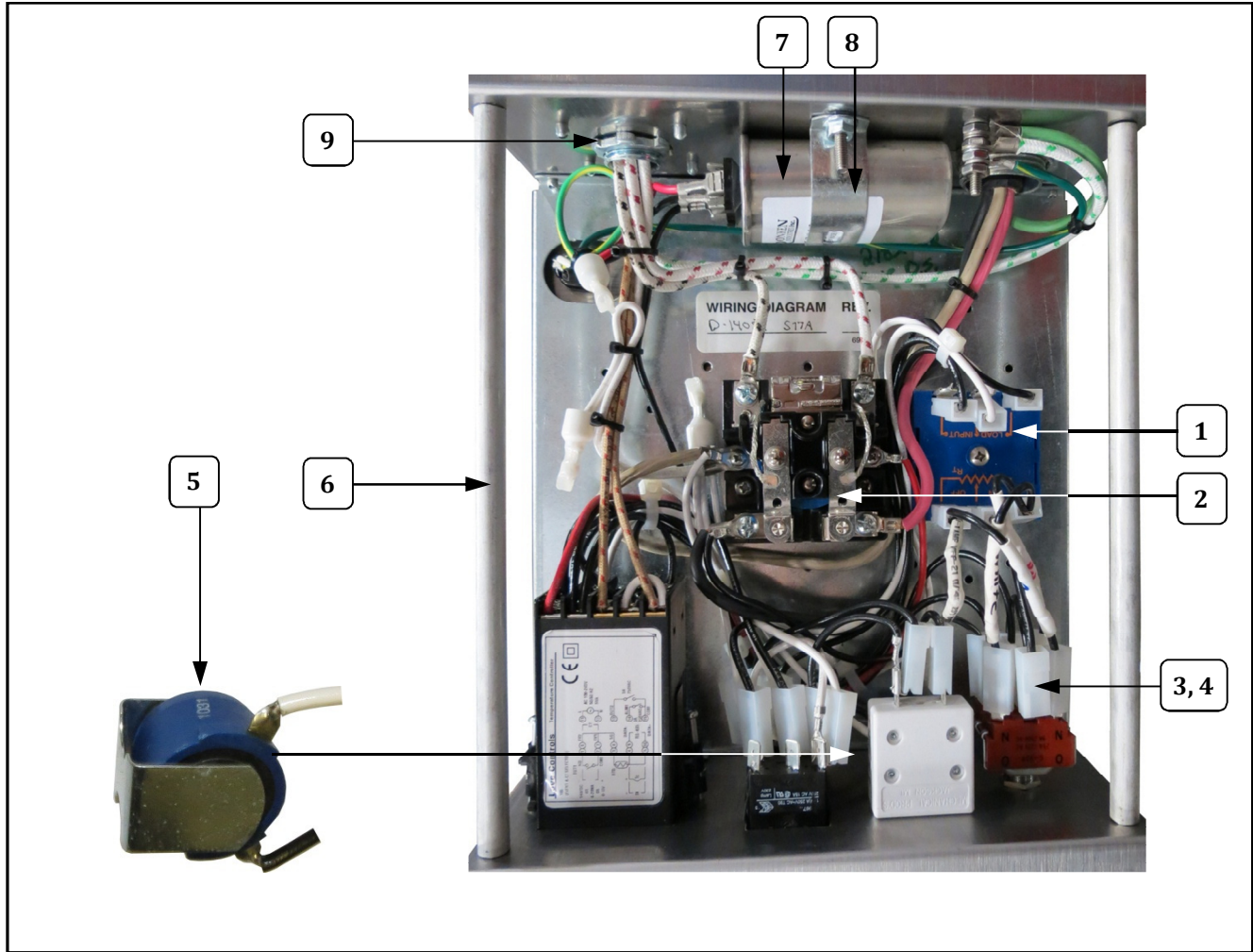
## Control Box Electronics



Item	Part No.	Model(s)	Part Description	Qty.
1	<a href="#">48688</a>	2182EL/ER	TIMER, PERCENTAGE 60 SEC	1
	<a href="#">48688EX</a>	2182XL/XR	TIMER, PERCENTAGE 60 SEC	
2	<a href="#">55219</a>	2182EL/ER	RELAY, 30A DPST 120V	1
	<a href="#">55219EX</a>	2182XL/XR	RELAY, 30A DPST 240V	
3	<a href="#">48612</a>	2182EL/ER	RESISTOR, 5K 8 WATT	1
	<a href="#">48612EX</a>	2182XL/XR	RESISTOR, 10K 8 WATT	
4	<a href="#">48689</a>	ALL	RESISTOR, 240K 1/2 WATT	1
	<a href="#">48690</a>	ALL	RESISTOR, 750K 1/2 WATT	
	<a href="#">48691</a>	ALL	RESISTOR, 910K 1/2 WATT	
	<a href="#">48692</a>	ALL	RESISTOR, 82K 1/2 WATT	
5	<a href="#">46118</a>	2182EL/ER	BUZZER SIGNAL	1
	<a href="#">46120</a>	2182XL/XR	BUZZER SIGNAL 240 VAC	
6	<a href="#">55458</a>	ALL	CONTROL BOX SUPPORT	2
7	<a href="#">46107</a>	ALL	MOTOR CAPACITOR	1
8	<a href="#">48301</a>	ALL	CAPACITOR STRAP	1
9	<a href="#">55351</a>	ALL	LOCK NUT	1



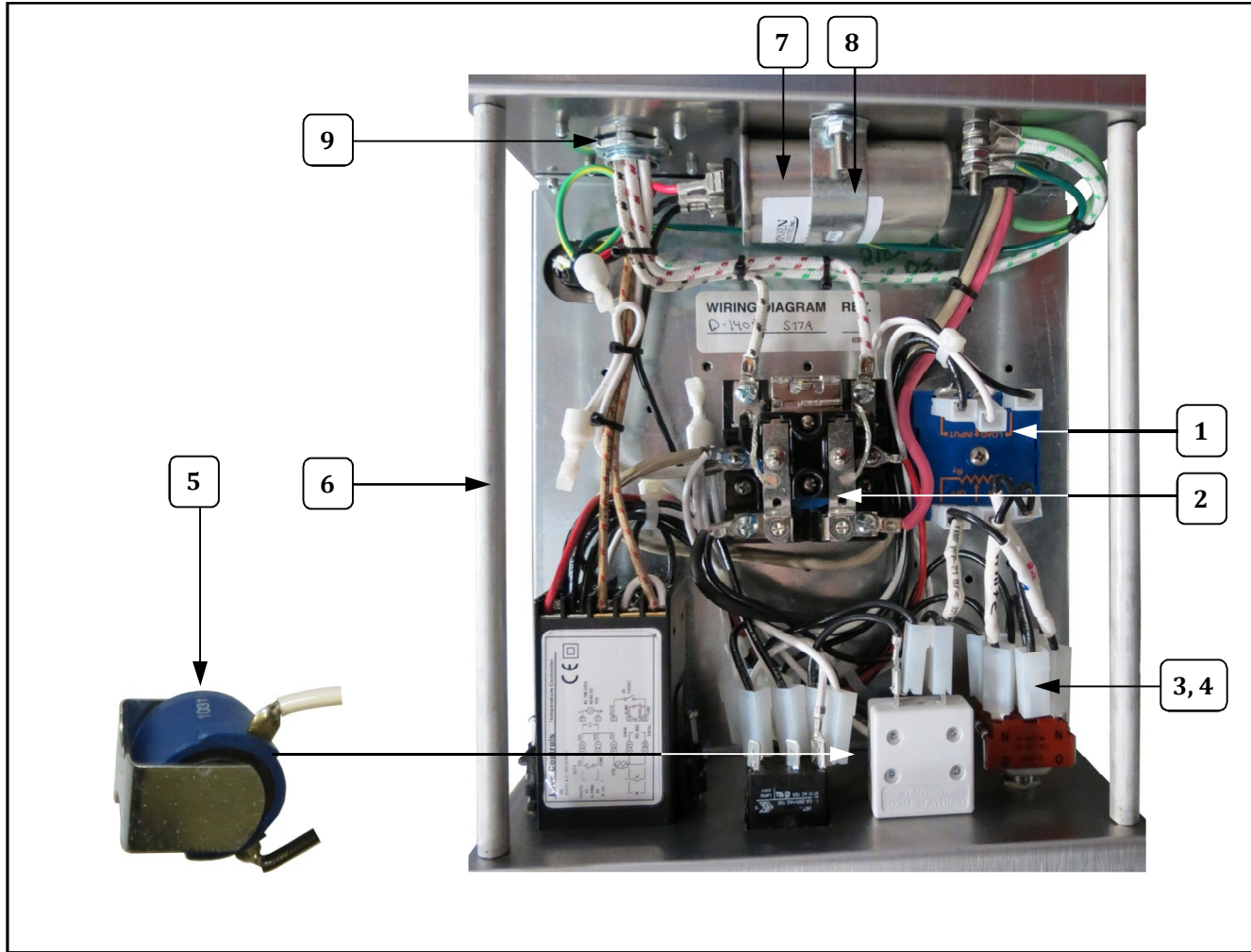
## Control Box Electronics



Item	Part No.	Model(s)	Part Description	Qty.
1	<a href="#">48688</a>	2182EL/ER	TIMER, PERCENTAGE 60 SEC	1
	<a href="#">48688EX</a>	2182XL/XR	TIMER, PERCENTAGE 60 SEC	
2	<a href="#">55219</a>	2182EL/ER	RELAY, 30A DPST 120V	1
	<a href="#">55219EX</a>	2182XL/XR	RELAY, 30A DPST 240V	
3	<a href="#">48612</a>	2182EL/ER	RESISTOR, 5K 8 WATT	1
	<a href="#">48612EX</a>	2182XL/XR	RESISTOR, 10K 8 WATT	
4	<a href="#">48689</a>	ALL	RESISTOR, 240K 1/2 WATT	1
	<a href="#">48690</a>	ALL	RESISTOR, 750K 1/2 WATT	
	<a href="#">48691</a>	ALL	RESISTOR, 910K 1/2 WATT	
	<a href="#">48692</a>	ALL	RESISTOR, 82K 1/2 WATT	
5	<a href="#">46118</a>	2182EL/ER	BUZZER SIGNAL	1
	<a href="#">46120</a>	2182XL/XR	BUZZER SIGNAL 240 VAC	
6	<a href="#">55458</a>	ALL	CONTROL BOX SUPPORT	2
7	<a href="#">46107</a>	ALL	MOTOR CAPACITOR	1
8	<a href="#">48301</a>	ALL	CAPACITOR STRAP	1
9	<a href="#">55351</a>	ALL	LOCK NUT	1



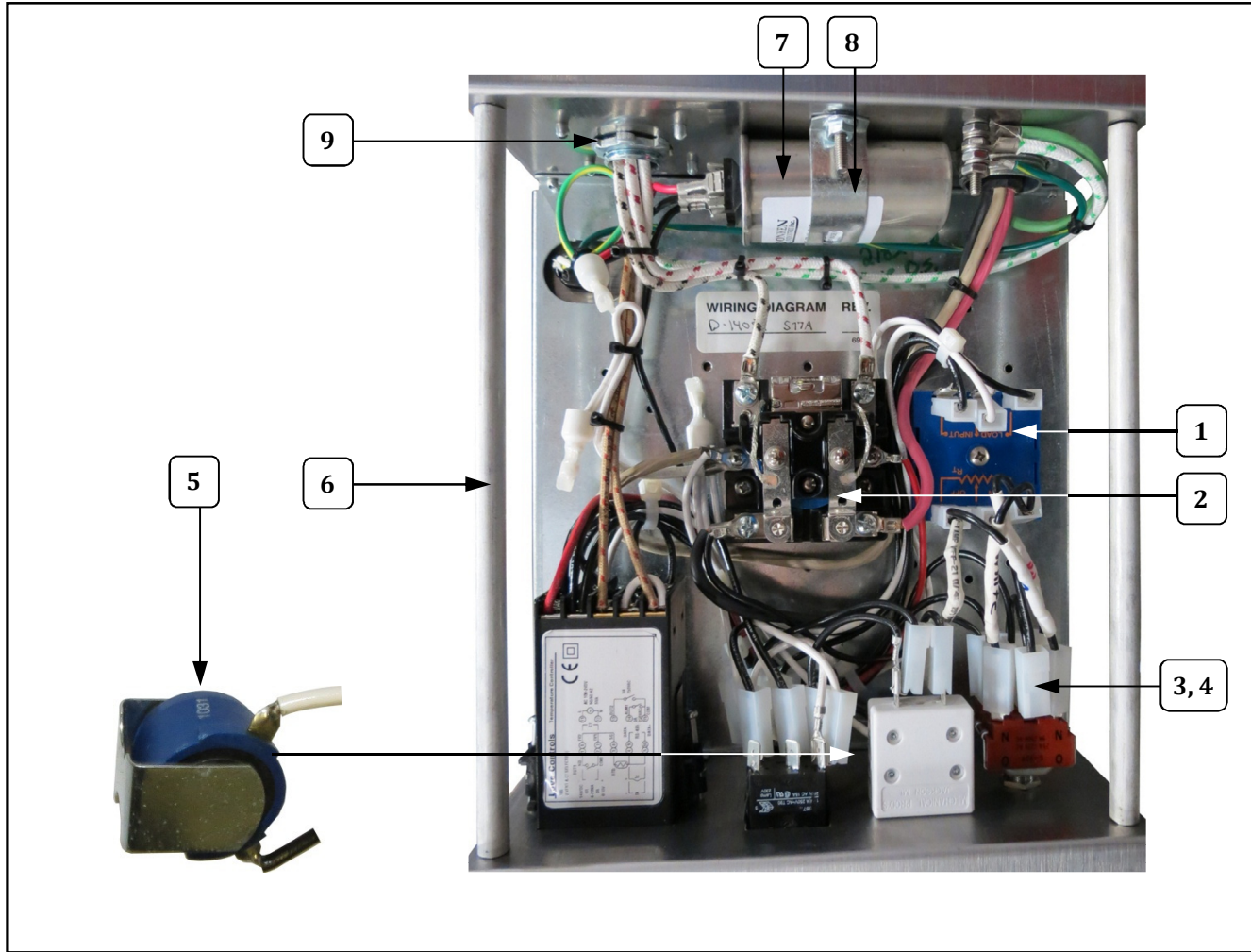
## Control Box Electronics



Item	Part No.	Model(s)	Part Description	Qty.
1	<a href="#">48688</a>	2182EL/ER	TIMER, PERCENTAGE 60 SEC	1
	<a href="#">48688EX</a>	2182XL/XR	TIMER, PERCENTAGE 60 SEC	
2	<a href="#">55219</a>	2182EL/ER	RELAY, 30A DPST 120V	1
	<a href="#">55219EX</a>	2182XL/XR	RELAY, 30A DPST 240V	
3	<a href="#">48612</a>	2182EL/ER	RESISTOR, 5K 8 WATT	1
	<a href="#">48612EX</a>	2182XL/XR	RESISTOR, 10K 8 WATT	
4	<a href="#">48689</a>	ALL	RESISTOR, 240K 1/2 WATT	1
	<a href="#">48690</a>	ALL	RESISTOR, 750K 1/2 WATT	
	<a href="#">48691</a>	ALL	RESISTOR, 910K 1/2 WATT	
	<a href="#">48692</a>	ALL	RESISTOR, 82K 1/2 WATT	
5	<a href="#">46118</a>	2182EL/ER	BUZZER SIGNAL	1
	<a href="#">46120</a>	2182XL/XR	BUZZER SIGNAL 240 VAC	
6	<a href="#">55458</a>	ALL	CONTROL BOX SUPPORT	2
7	<a href="#">46107</a>	ALL	MOTOR CAPACITOR	1
8	<a href="#">48301</a>	ALL	CAPACITOR STRAP	1
9	<a href="#">55351</a>	ALL	LOCK NUT	1



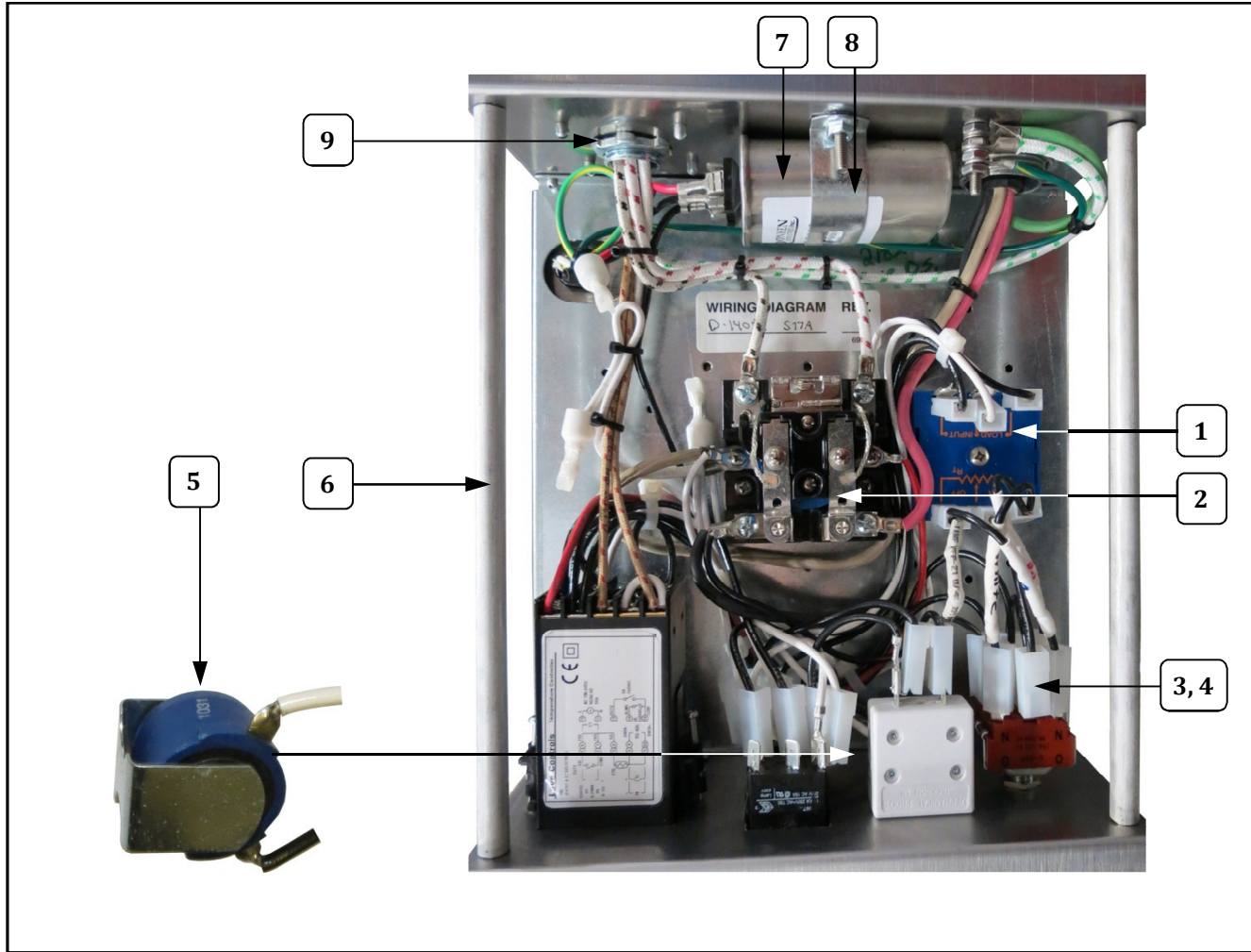
## Control Box Electronics



Item	Part No.	Model(s)	Part Description	Qty.
1	<a href="#">48688</a>	2182EL/ER	TIMER, PERCENTAGE 60 SEC	1
	<a href="#">48688EX</a>	2182XL/XR	TIMER, PERCENTAGE 60 SEC	
2	<a href="#">55219</a>	2182EL/ER	RELAY, 30A DPST 120V	1
	<a href="#">55219EX</a>	2182XL/XR	RELAY, 30A DPST 240V	
3	<a href="#">48612</a>	2182EL/ER	RESISTOR, 5K 8 WATT	1
	<a href="#">48612EX</a>	2182XL/XR	RESISTOR, 10K 8 WATT	
4	<a href="#">48689</a>	ALL	RESISTOR, 240K 1/2 WATT	1
	<a href="#">48690</a>	ALL	RESISTOR, 750K 1/2 WATT	
	<a href="#">48691</a>	ALL	RESISTOR, 910K 1/2 WATT	
	<a href="#">48692</a>	ALL	RESISTOR, 82K 1/2 WATT	
5	<a href="#">46118</a>	2182EL/ER	BUZZER SIGNAL	1
	<a href="#">46120</a>	2182XL/XR	BUZZER SIGNAL 240 VAC	
6	<a href="#">55458</a>	ALL	CONTROL BOX SUPPORT	2
7	<a href="#">46107</a>	ALL	MOTOR CAPACITOR	1
8	<a href="#">48301</a>	ALL	CAPACITOR STRAP	1
9	<a href="#">55351</a>	ALL	LOCK NUT	1



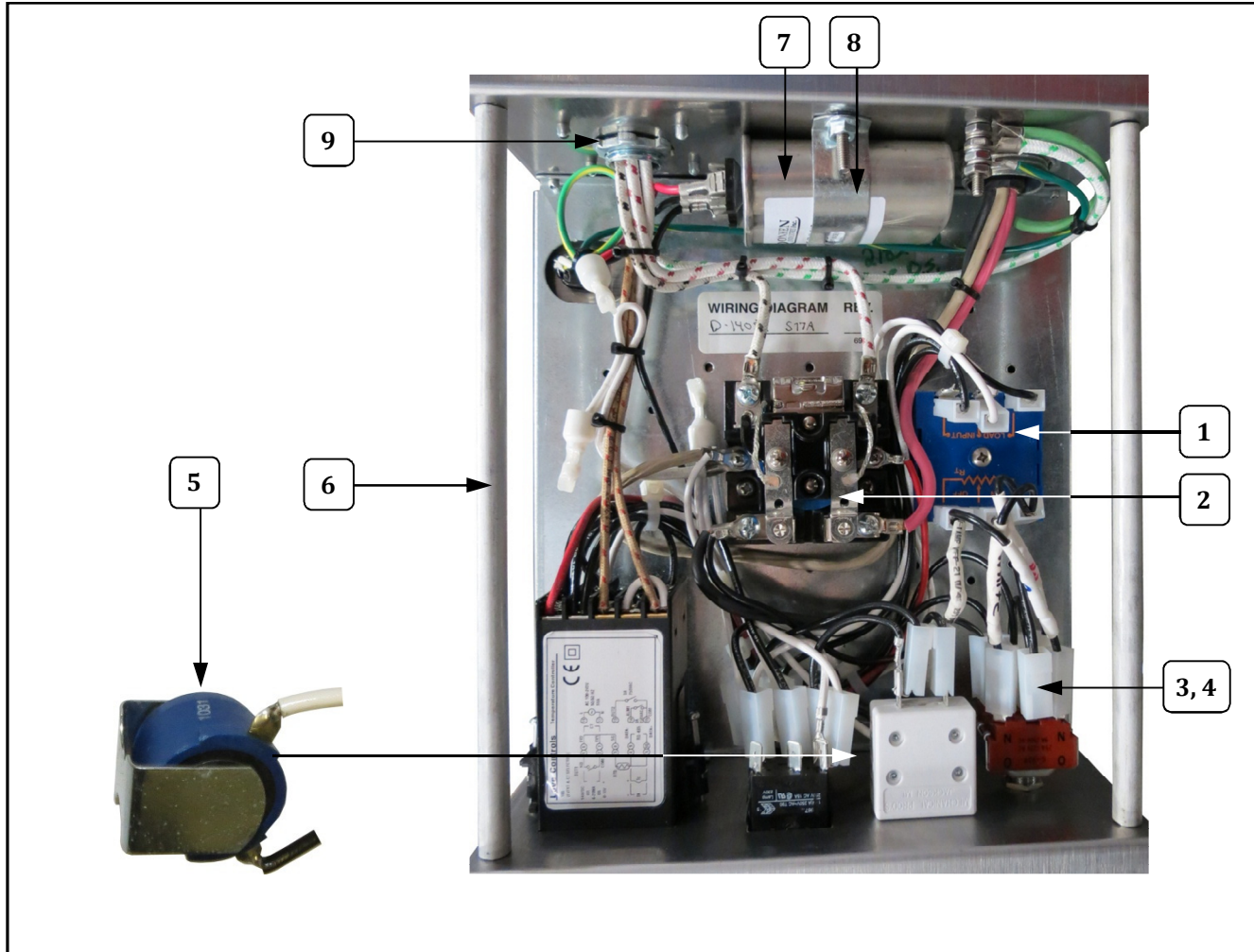
## Control Box Electronics



Item	Part No.	Model(s)	Part Description	Qty.
1	<a href="#">48688</a>	2182EL/ER	TIMER, PERCENTAGE 60 SEC	1
	<a href="#">48688EX</a>	2182XL/XR	TIMER, PERCENTAGE 60 SEC	
2	<a href="#">55219</a>	2182EL/ER	RELAY, 30A DPST 120V	1
	<a href="#">55219EX</a>	2182XL/XR	RELAY, 30A DPST 240V	
3	<a href="#">48612</a>	2182EL/ER	RESISTOR, 5K 8 WATT	1
	<a href="#">48612EX</a>	2182XL/XR	RESISTOR, 10K 8 WATT	
4	<a href="#">48689</a>	ALL	RESISTOR, 240K 1/2 WATT	1
	<a href="#">48690</a>	ALL	RESISTOR, 750K 1/2 WATT	
	<a href="#">48691</a>	ALL	RESISTOR, 910K 1/2 WATT	
	<a href="#">48692</a>	ALL	RESISTOR, 82K 1/2 WATT	
5	<a href="#">46118</a>	2182EL/ER	BUZZER SIGNAL	1
	<a href="#">46120</a>	2182XL/XR	BUZZER SIGNAL 240 VAC	
6	<a href="#">55458</a>	ALL	CONTROL BOX SUPPORT	2
7	<a href="#">46107</a>	ALL	MOTOR CAPACITOR	1
8	<a href="#">48301</a>	ALL	CAPACITOR STRAP	1
9	<a href="#">55351</a>	ALL	LOCK NUT	1



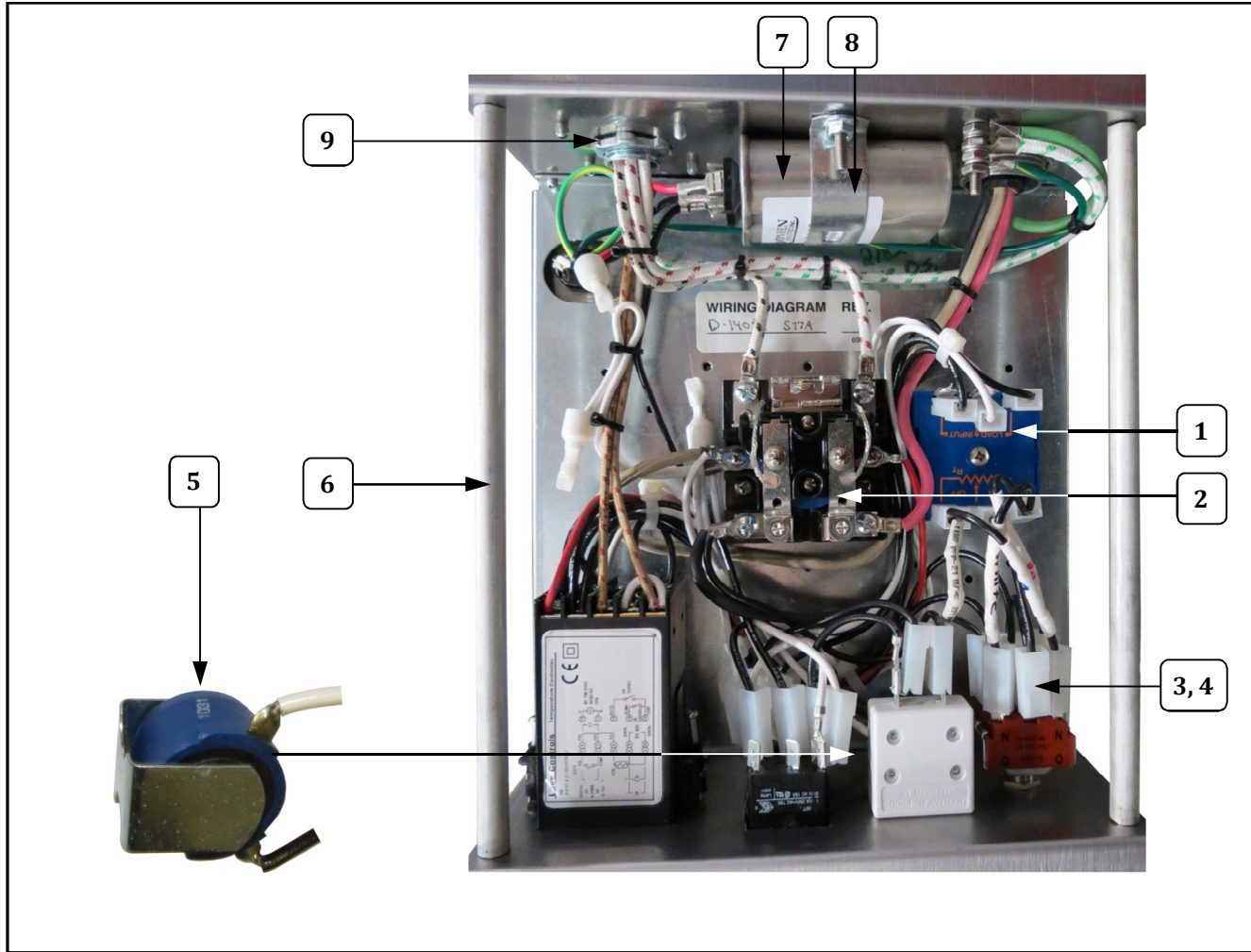
## Control Box Electronics



Item	Part No.	Model(s)	Part Description	Qty.
1	<a href="#">48688</a>	2182EL/ER	TIMER, PERCENTAGE 60 SEC	1
	<a href="#">48688EX</a>	2182XL/XR	TIMER, PERCENTAGE 60 SEC	
2	<a href="#">55219</a>	2182EL/ER	RELAY, 30A DPST 120V	1
	<a href="#">55219EX</a>	2182XL/XR	RELAY, 30A DPST 240V	
3	<a href="#">48612</a>	2182EL/ER	RESISTOR, 5K 8 WATT	1
	<a href="#">48612EX</a>	2182XL/XR	RESISTOR, 10K 8 WATT	
4	<a href="#">48689</a>	ALL	RESISTOR, 240K 1/2 WATT	1
	<a href="#">48690</a>	ALL	RESISTOR, 750K 1/2 WATT	
	<a href="#">48691</a>	ALL	RESISTOR, 910K 1/2 WATT	
	<a href="#">48692</a>	ALL	RESISTOR, 82K 1/2 WATT	
5	<a href="#">46118</a>	2182EL/ER	BUZZER SIGNAL	1
	<a href="#">46120</a>	2182XL/XR	BUZZER SIGNAL 240 VAC	
6	<a href="#">55458</a>	ALL	CONTROL BOX SUPPORT	2
7	<a href="#">46107</a>	ALL	MOTOR CAPACITOR	1
8	<a href="#">48301</a>	ALL	CAPACITOR STRAP	1
9	<a href="#">55351</a>	ALL	LOCK NUT	1



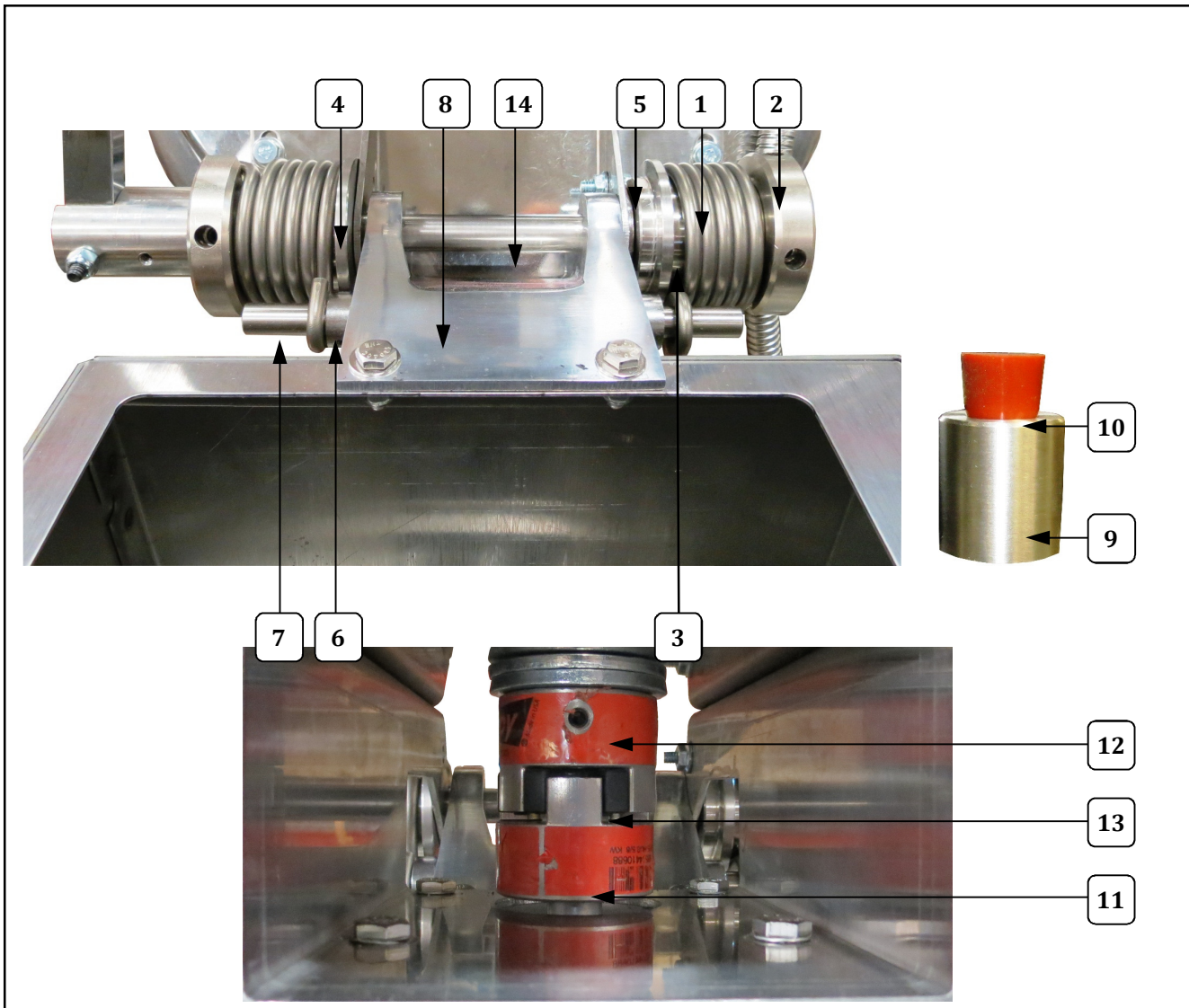
## Control Box Electronics



Item	Part No.	Model(s)	Part Description	Qty.
1	<a href="#">48688</a>	2182EL/ER	TIMER, PERCENTAGE 60 SEC	1
	<a href="#">48688EX</a>	2182XL/XR	TIMER, PERCENTAGE 60 SEC	
2	<a href="#">55219</a>	2182EL/ER	RELAY, 30A DPST 120V	1
	<a href="#">55219EX</a>	2182XL/XR	RELAY, 30A DPST 240V	
3	<a href="#">48612</a>	2182EL/ER	RESISTOR, 5K 8 WATT	1
	<a href="#">48612EX</a>	2182XL/XR	RESISTOR, 10K 8 WATT	
4	<a href="#">48689</a>	ALL	RESISTOR, 240K 1/2 WATT	1
	<a href="#">48690</a>	ALL	RESISTOR, 750K 1/2 WATT	
	<a href="#">48691</a>	ALL	RESISTOR, 910K 1/2 WATT	
	<a href="#">48692</a>	ALL	RESISTOR, 82K 1/2 WATT	
5	<a href="#">46118</a>	2182EL/ER	BUZZER SIGNAL	1
	<a href="#">46120</a>	2182XL/XR	BUZZER SIGNAL 240 VAC	
6	<a href="#">55458</a>	ALL	CONTROL BOX SUPPORT	2
7	<a href="#">46107</a>	ALL	MOTOR CAPACITOR	1
8	<a href="#">48301</a>	ALL	CAPACITOR STRAP	1
9	<a href="#">55351</a>	ALL	LOCK NUT	1



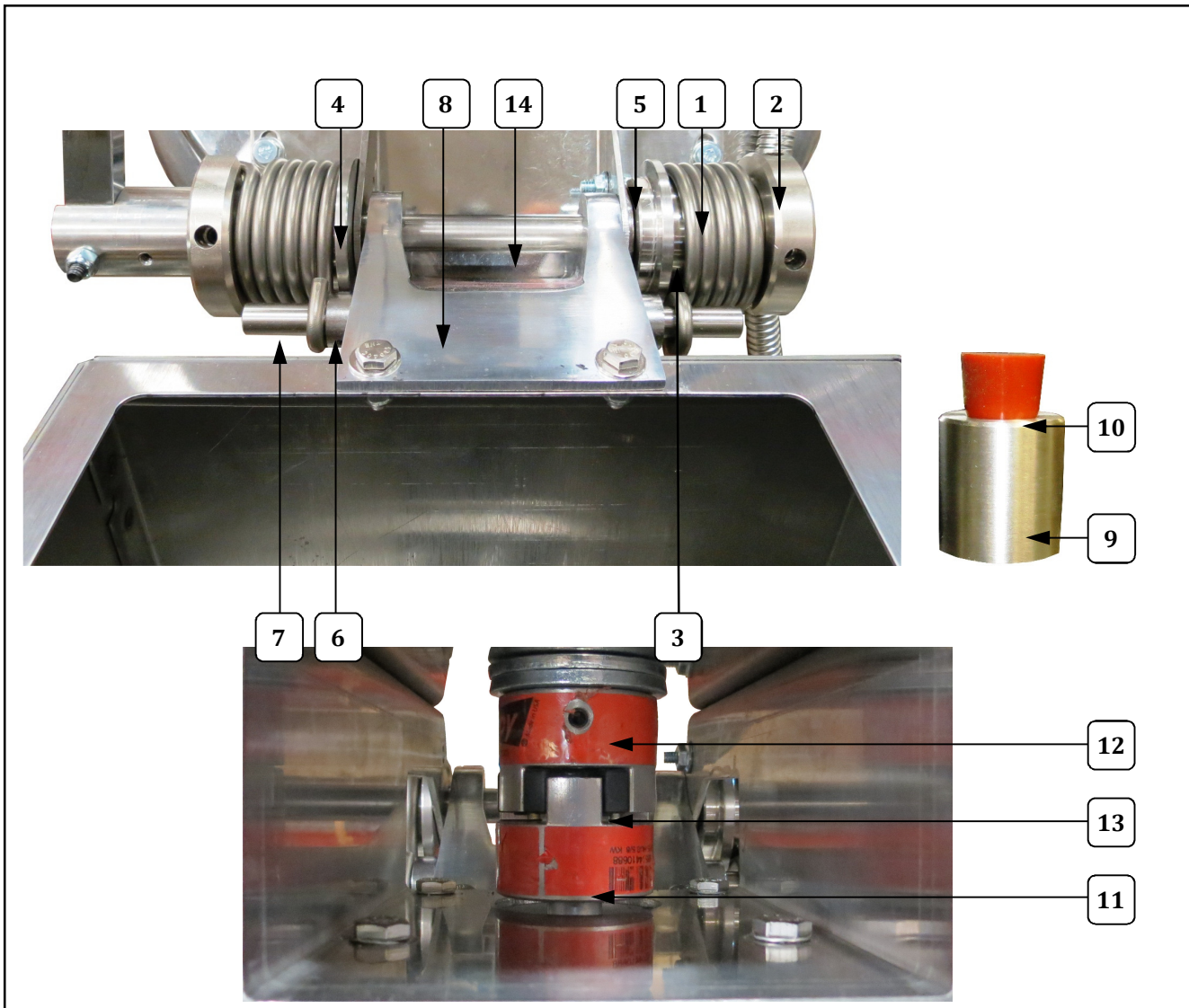
## Spring and Handle Bar



Item	Part No.	Model(s)	Part Description	Qty.
1	74660	ALL	TORSION SPRING	2
2	74661	ALL	COLLAR	2
3	74658	ALL	SPACER (under torsion springs)	4
4	74659	ALL	LARGE SPACER (dump side)	1
5	74690	ALL	LARGE SPACER (customer side)	1
6	47326	ALL	1/2ID x 7/8OD SET COLLAR	2
7	82551	ALL	SPRING RETAINER ROD	1
8	82550	ALL	KETTLE MOUNT BRACKET	1
9	83113	ALL	KETTLE REST	1
10	83111	ALL	KETTLE BUMPER	1
11	46144	ALL	COUPLING BODY, 5/8 BORE	1
12	46145	ALL	COUPLING BODY, 3/4 BORE	1
13	12141	ALL	FLEXIBLE SPIDER	1
14	16705	ALL ER/XR MODELS	RH DUMPCOR WELDMENT	1
	16706	ALL EL/XL MODELS	LT DUMPCOR WELDMENT	



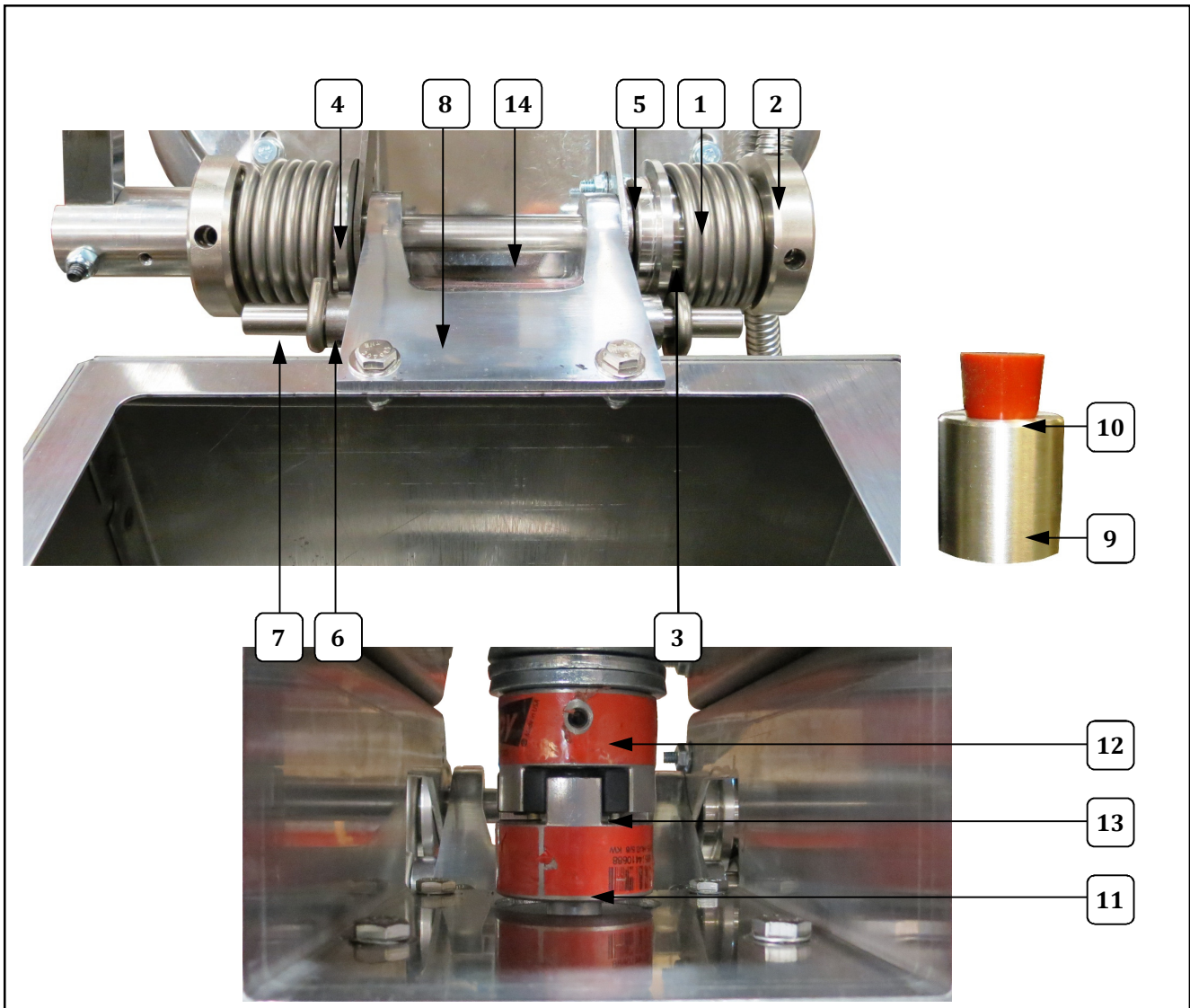
## Spring and Handle Bar



Item	Part No.	Model(s)	Part Description	Qty.
1	74660	ALL	TORSION SPRING	2
2	74661	ALL	COLLAR	2
3	74658	ALL	SPACER (under torsion springs)	4
4	74659	ALL	LARGE SPACER (dump side)	1
5	74690	ALL	LARGE SPACER (customer side)	1
6	47326	ALL	1/2ID x 7/8OD SET COLLAR	2
7	82551	ALL	SPRING RETAINER ROD	1
8	82550	ALL	KETTLE MOUNT BRACKET	1
9	83113	ALL	KETTLE REST	1
10	83111	ALL	KETTLE BUMPER	1
11	46144	ALL	COUPLING BODY, 5/8 BORE	1
12	46145	ALL	COUPLING BODY, 3/4 BORE	1
13	12141	ALL	FLEXIBLE SPIDER	1
14	16705	ALL ER/XR MODELS	RH DUMPCOR WELDMENT	1
	16706	ALL EL/XL MODELS	LT DUMPCOR WELDMENT	



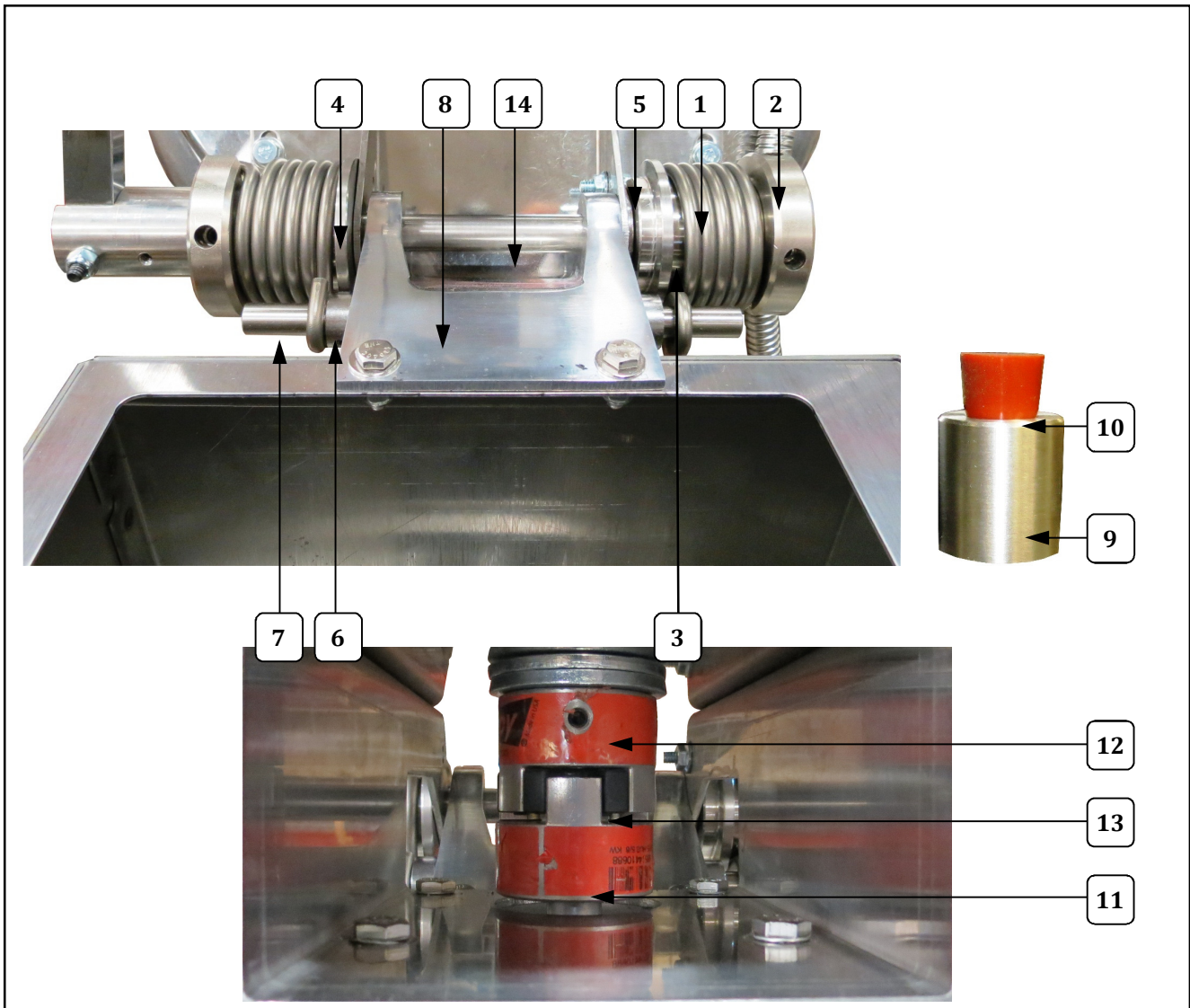
## Spring and Handle Bar



Item	Part No.	Model(s)	Part Description	Qty.
1	74660	ALL	TORSION SPRING	2
2	74661	ALL	COLLAR	2
3	74658	ALL	SPACER (under torsion springs)	4
4	74659	ALL	LARGE SPACER (dump side)	1
5	74690	ALL	LARGE SPACER (customer side)	1
6	47326	ALL	1/2ID x 7/8OD SET COLLAR	2
7	82551	ALL	SPRING RETAINER ROD	1
8	82550	ALL	KETTLE MOUNT BRACKET	1
9	83113	ALL	KETTLE REST	1
10	83111	ALL	KETTLE BUMPER	1
11	46144	ALL	COUPLING BODY, 5/8 BORE	1
12	46145	ALL	COUPLING BODY, 3/4 BORE	1
13	12141	ALL	FLEXIBLE SPIDER	1
14	16705	ALL ER/XR MODELS	RH DUMPCOR WELDMENT	1
	16706	ALL EL/XL MODELS	LT DUMPCOR WELDMENT	



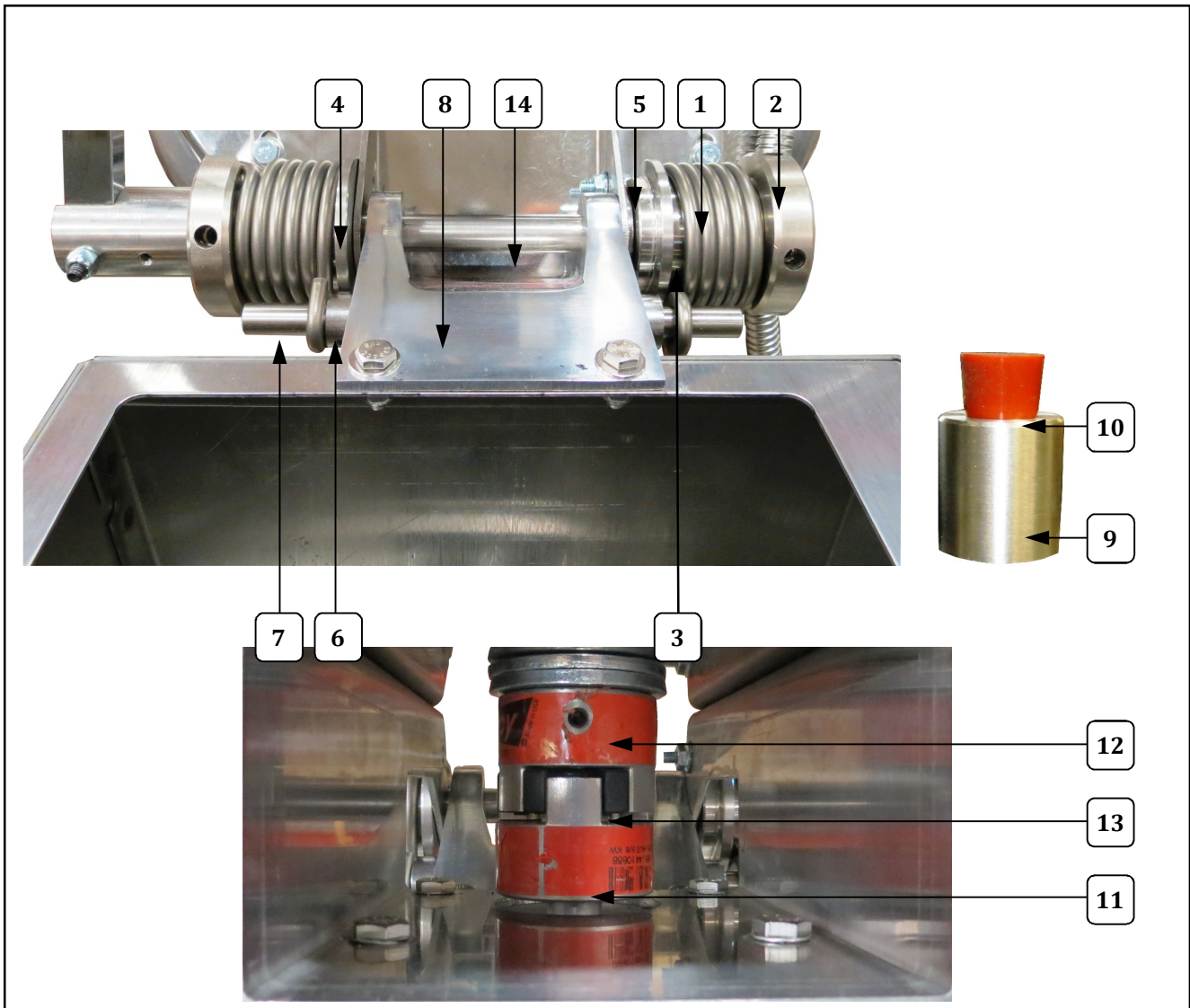
## Spring and Handle Bar



Item	Part No.	Model(s)	Part Description	Qty.
1	74660	ALL	TORSION SPRING	2
2	74661	ALL	COLLAR	2
3	74658	ALL	SPACER (under torsion springs)	4
4	74659	ALL	LARGE SPACER (dump side)	1
5	74690	ALL	LARGE SPACER (customer side)	1
6	47326	ALL	1/2ID x 7/8OD SET COLLAR	2
7	82551	ALL	SPRING RETAINER ROD	1
8	82550	ALL	KETTLE MOUNT BRACKET	1
9	83113	ALL	KETTLE REST	1
10	83111	ALL	KETTLE BUMPER	1
11	46144	ALL	COUPLING BODY, 5/8 BORE	1
12	46145	ALL	COUPLING BODY, 3/4 BORE	1
13	12141	ALL	FLEXIBLE SPIDER	1
14	16705	ALL ER/XR MODELS	RH DUMPBAR WELDMENT	1
	16706	ALL EL/XL MODELS	LT DUMPBAR WELDMENT	



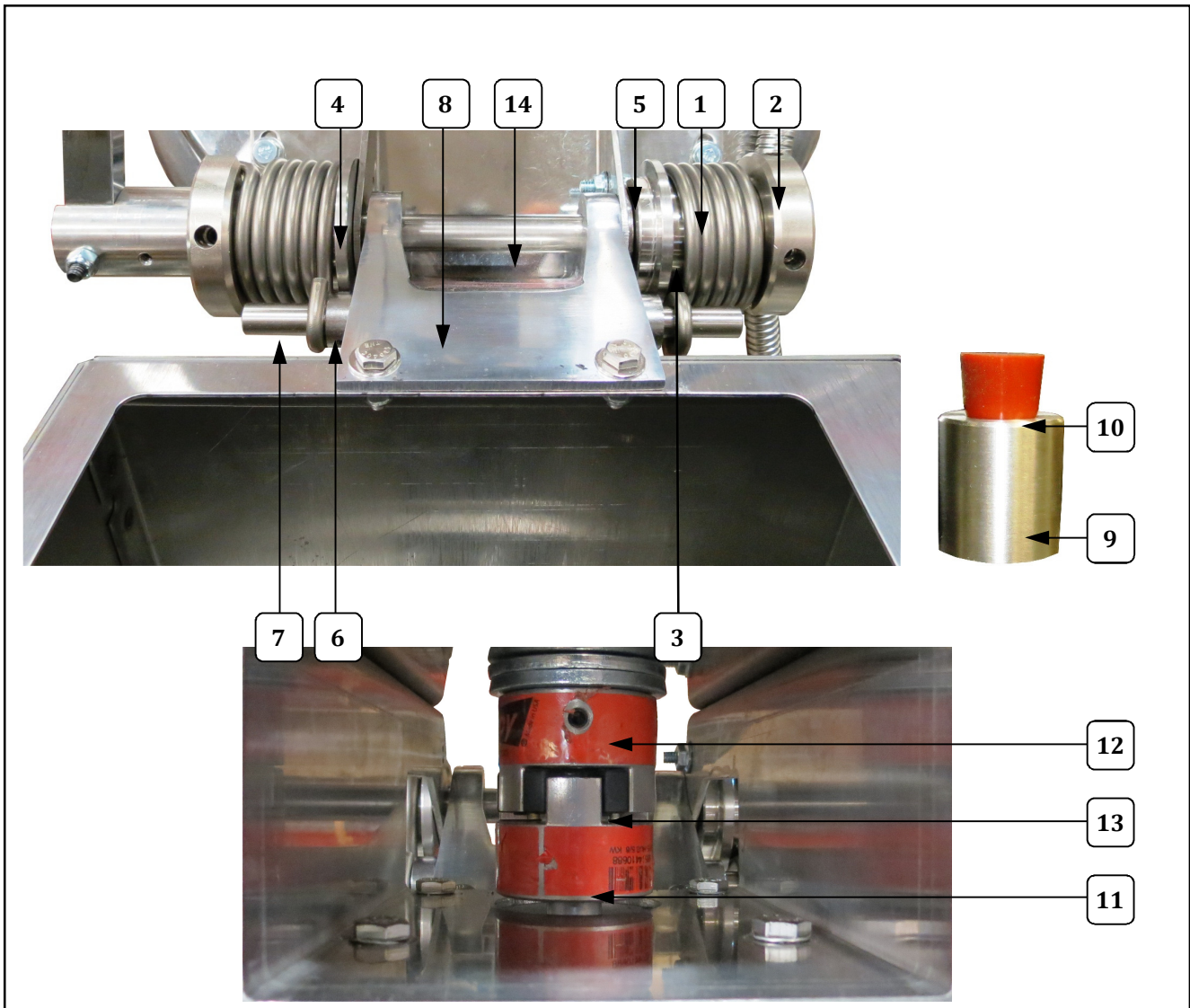
## Spring and Handle Bar



Item	Part No.	Model(s)	Part Description	Qty.
1	74660	ALL	TORSION SPRING	2
2	74661	ALL	COLLAR	2
3	74658	ALL	SPACER (under torsion springs)	4
4	74659	ALL	LARGE SPACER (dump side)	1
5	74690	ALL	LARGE SPACER (customer side)	1
6	47326	ALL	1/2ID x 7/8OD SET COLLAR	2
7	82551	ALL	SPRING RETAINER ROD	1
8	82550	ALL	KETTLE MOUNT BRACKET	1
9	83113	ALL	KETTLE REST	1
10	83111	ALL	KETTLE BUMPER	1
11	46144	ALL	COUPLING BODY, 5/8 BORE	1
12	46145	ALL	COUPLING BODY, 3/4 BORE	1
13	12141	ALL	FLEXIBLE SPIDER	1
14	16705	ALL ER/XR MODELS	RH DUMPBAR WELDMENT	1
	16706	ALL EL/XL MODELS	LT DUMPBAR WELDMENT	



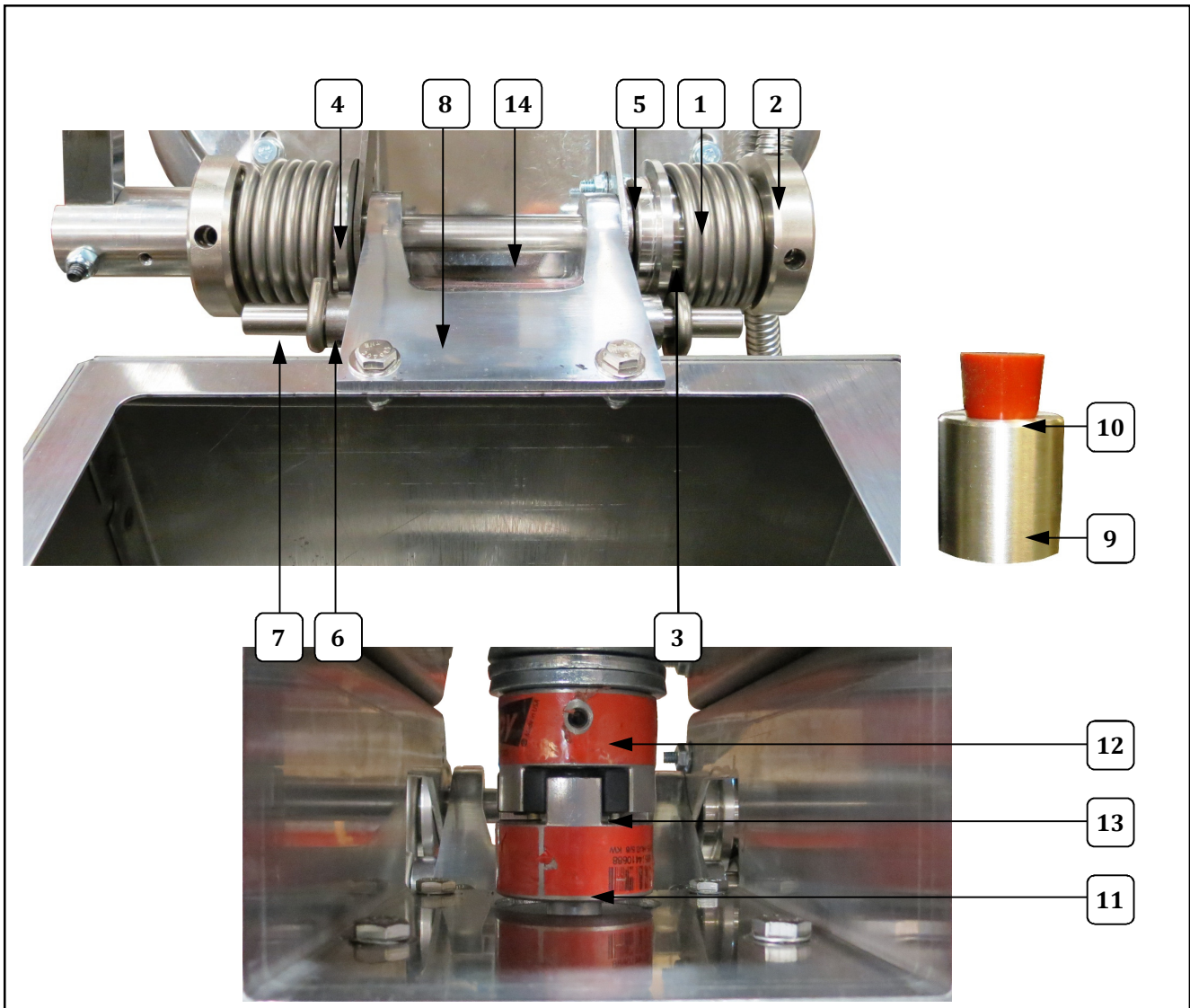
## Spring and Handle Bar



Item	Part No.	Model(s)	Part Description	Qty.
1	74660	ALL	TORSION SPRING	2
2	74661	ALL	COLLAR	2
3	74658	ALL	SPACER (under torsion springs)	4
4	74659	ALL	LARGE SPACER (dump side)	1
5	74690	ALL	LARGE SPACER (customer side)	1
6	47326	ALL	1/2ID x 7/8OD SET COLLAR	2
7	82551	ALL	SPRING RETAINER ROD	1
8	82550	ALL	KETTLE MOUNT BRACKET	1
9	83113	ALL	KETTLE REST	1
10	83111	ALL	KETTLE BUMPER	1
11	46144	ALL	COUPLING BODY, 5/8 BORE	1
12	46145	ALL	COUPLING BODY, 3/4 BORE	1
13	12141	ALL	FLEXIBLE SPIDER	1
14	16705	ALL ER/XR MODELS	RH DUMPBAR WELDMENT	1
	16706	ALL EL/XL MODELS	LT DUMPBAR WELDMENT	



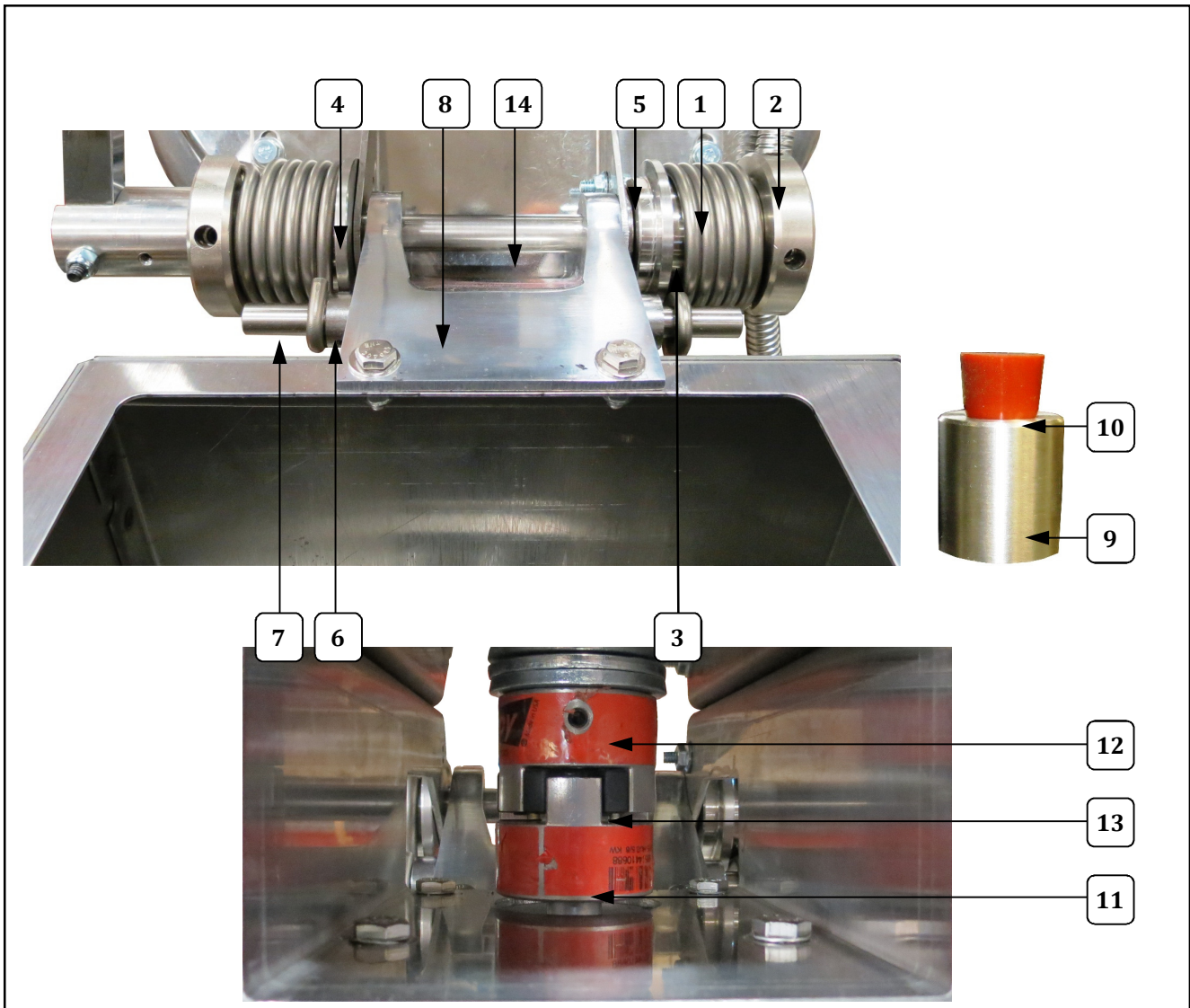
## Spring and Handle Bar



Item	Part No.	Model(s)	Part Description	Qty.
1	74660	ALL	TORSION SPRING	2
2	74661	ALL	COLLAR	2
3	74658	ALL	SPACER (under torsion springs)	4
4	74659	ALL	LARGE SPACER (dump side)	1
5	74690	ALL	LARGE SPACER (customer side)	1
6	47326	ALL	1/2ID x 7/8OD SET COLLAR	2
7	82551	ALL	SPRING RETAINER ROD	1
8	82550	ALL	KETTLE MOUNT BRACKET	1
9	83113	ALL	KETTLE REST	1
10	83111	ALL	KETTLE BUMPER	1
11	46144	ALL	COUPLING BODY, 5/8 BORE	1
12	46145	ALL	COUPLING BODY, 3/4 BORE	1
13	12141	ALL	FLEXIBLE SPIDER	1
14	16705	ALL ER/XR MODELS	RH DUMPBAR WELDMENT	1
	16706	ALL EL/XL MODELS	LT DUMPBAR WELDMENT	



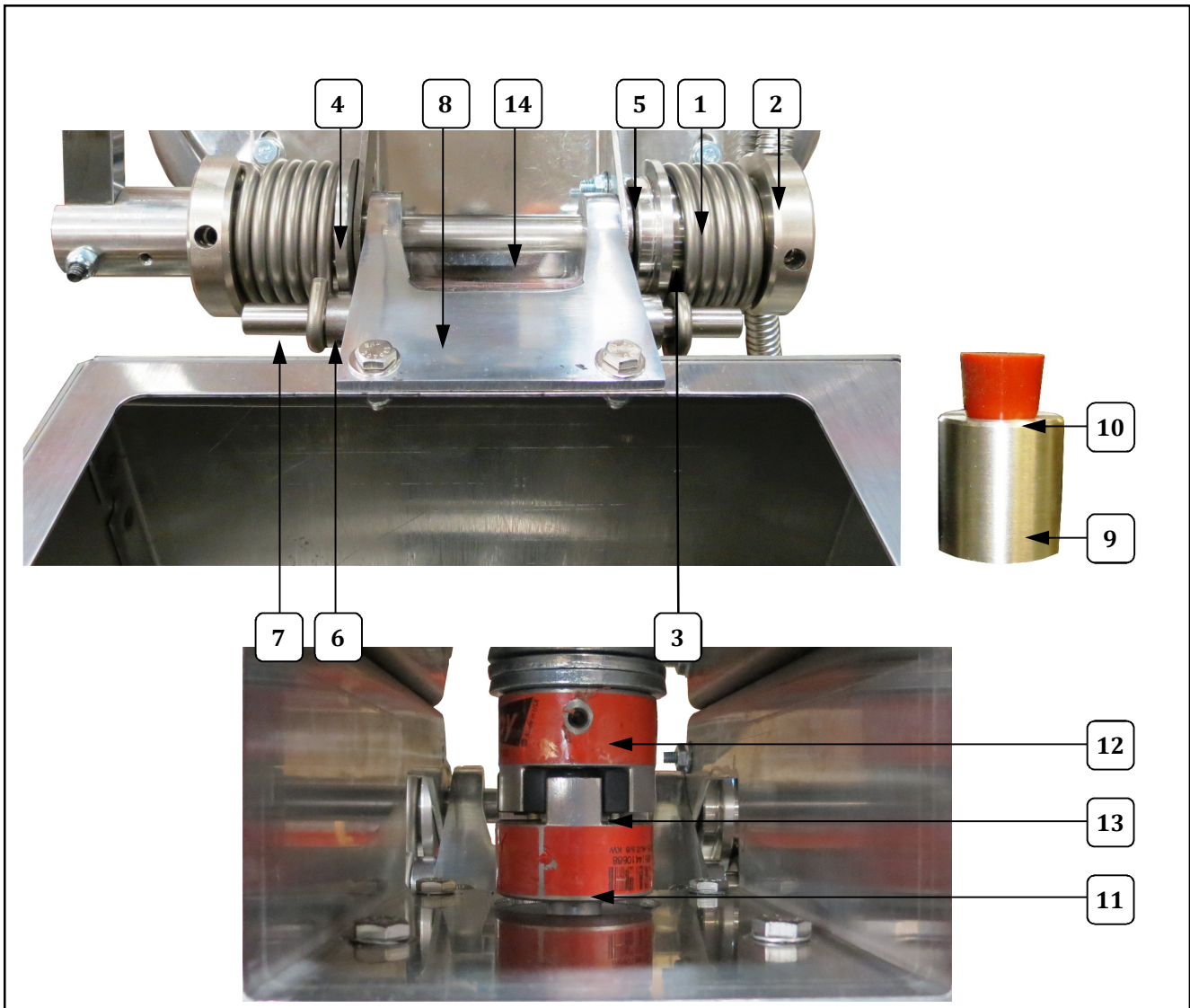
## Spring and Handle Bar



Item	Part No.	Model(s)	Part Description	Qty.
1	74660	ALL	TORSION SPRING	2
2	74661	ALL	COLLAR	2
3	74658	ALL	SPACER (under torsion springs)	4
4	74659	ALL	LARGE SPACER (dump side)	1
5	74690	ALL	LARGE SPACER (customer side)	1
6	47326	ALL	1/2ID x 7/8OD SET COLLAR	2
7	82551	ALL	SPRING RETAINER ROD	1
8	82550	ALL	KETTLE MOUNT BRACKET	1
9	83113	ALL	KETTLE REST	1
10	83111	ALL	KETTLE BUMPER	1
11	46144	ALL	COUPLING BODY, 5/8 BORE	1
12	46145	ALL	COUPLING BODY, 3/4 BORE	1
13	12141	ALL	FLEXIBLE SPIDER	1
14	16705	ALL ER/XR MODELS	RH DUMPCOR WELDMENT	1
	16706	ALL EL/XL MODELS	LT DUMPCOR WELDMENT	



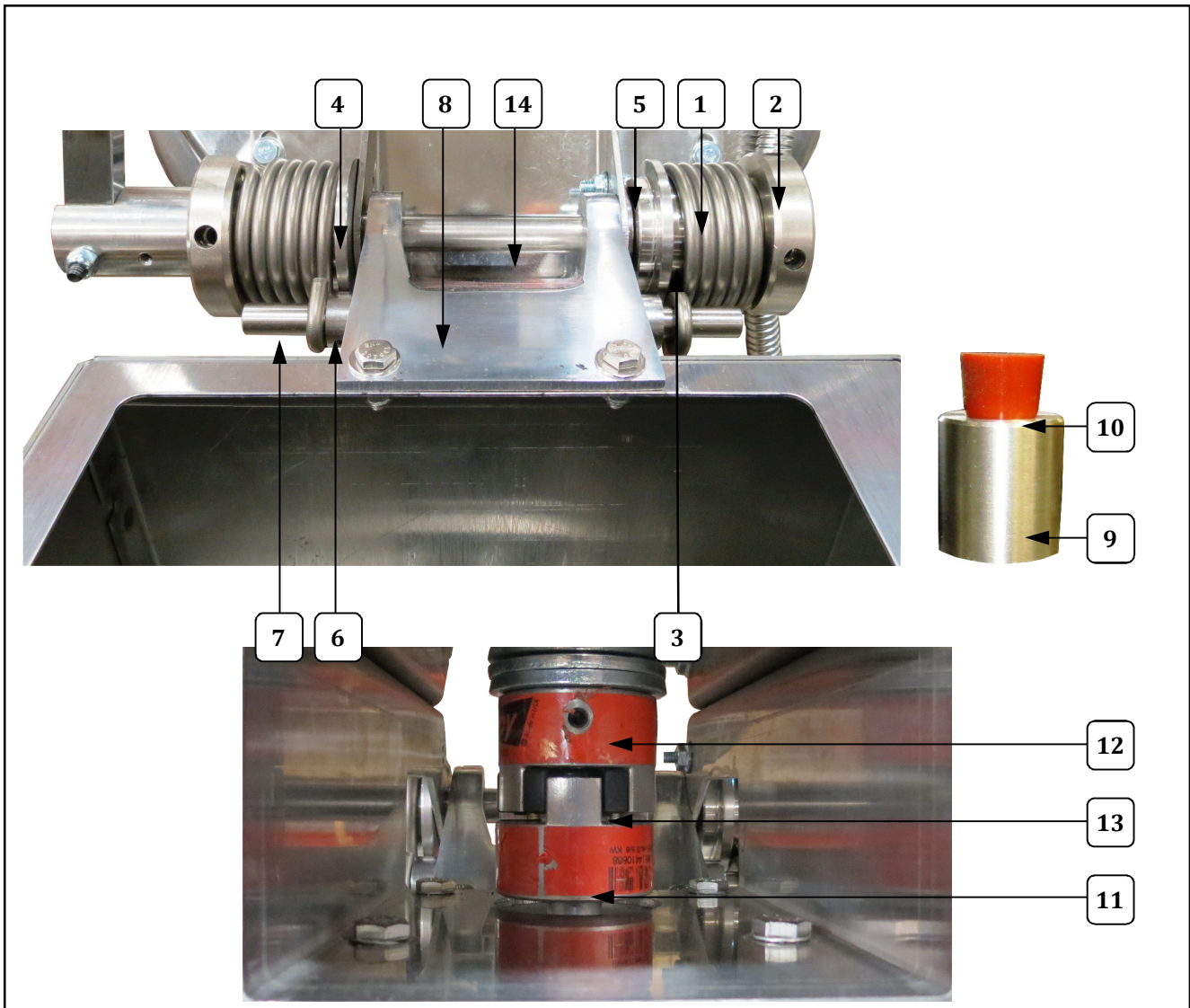
## Spring and Handle Bar



Item	Part No.	Model(s)	Part Description	Qty.
1	74660	ALL	TORSION SPRING	2
2	74661	ALL	COLLAR	2
3	74658	ALL	SPACER (under torsion springs)	4
4	74659	ALL	LARGE SPACER (dump side)	1
5	74690	ALL	LARGE SPACER (customer side)	1
6	47326	ALL	1/2ID x 7/8OD SET COLLAR	2
7	82551	ALL	SPRING RETAINER ROD	1
8	82550	ALL	KETTLE MOUNT BRACKET	1
9	83113	ALL	KETTLE REST	1
10	83111	ALL	KETTLE BUMPER	1
11	46144	ALL	COUPLING BODY, 5/8 BORE	1
12	46145	ALL	COUPLING BODY, 3/4 BORE	1
13	12141	ALL	FLEXIBLE SPIDER	1
14	16705	ALL ER/XR MODELS	RH DUMPCOR WELDMENT	1
	16706	ALL EL/XL MODELS	LT DUMPCOR WELDMENT	



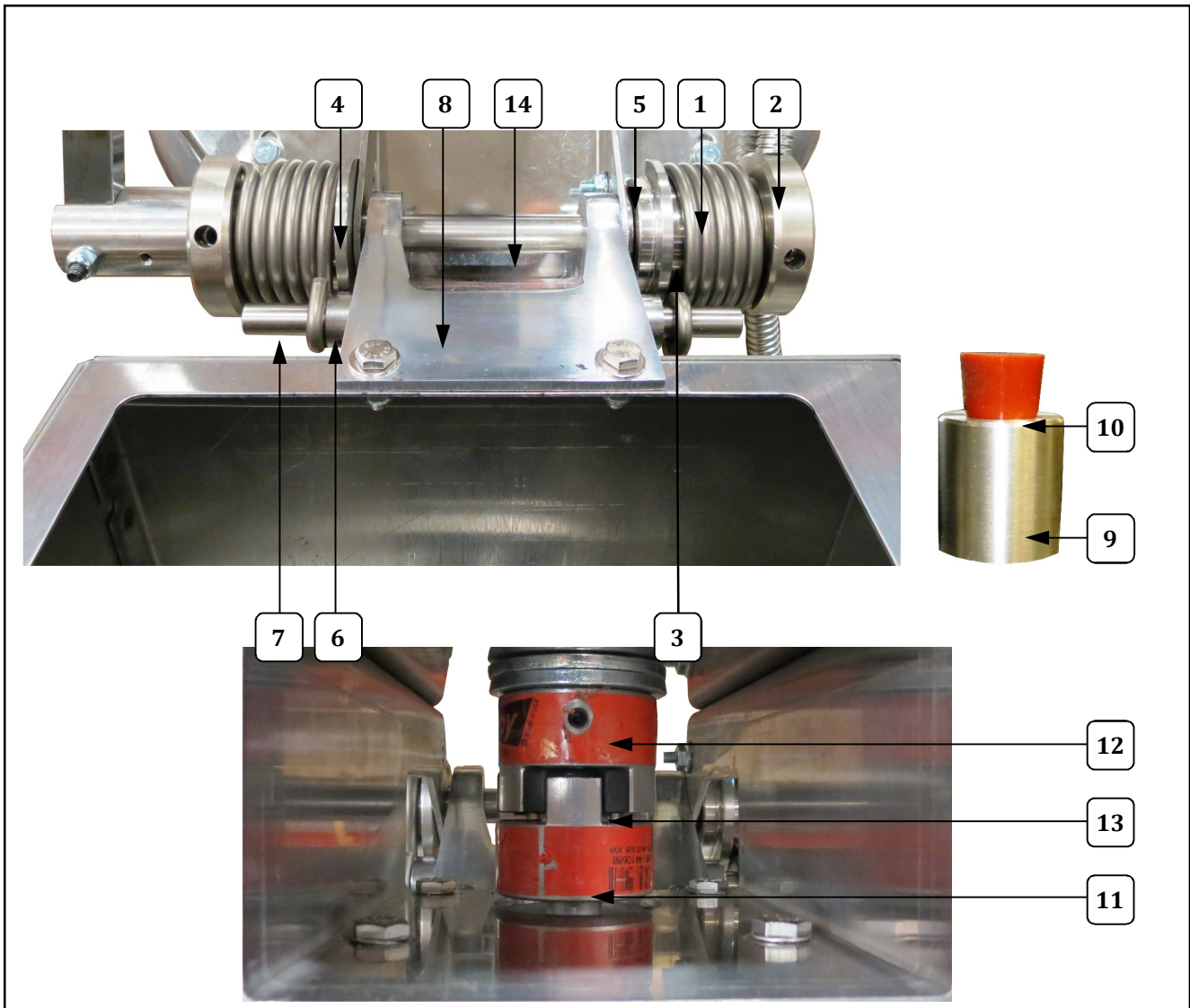
## Spring and Handle Bar



Item	Part No.	Model(s)	Part Description	Qty.
1	74660	ALL	TORSION SPRING	2
2	74661	ALL	COLLAR	2
3	74658	ALL	SPACER (under torsion springs)	4
4	74659	ALL	LARGE SPACER (dump side)	1
5	74690	ALL	LARGE SPACER (customer side)	1
6	47326	ALL	1/2ID x 7/8OD SET COLLAR	2
7	82551	ALL	SPRING RETAINER ROD	1
8	82550	ALL	KETTLE MOUNT BRACKET	1
9	83113	ALL	KETTLE REST	1
10	83111	ALL	KETTLE BUMPER	1
11	46144	ALL	COUPLING BODY, 5/8 BORE	1
12	46145	ALL	COUPLING BODY, 3/4 BORE	1
13	12141	ALL	FLEXIBLE SPIDER	1
14	16705	ALL ER/XR MODELS	RH DUMPBAR WELDMENT	1
	16706	ALL EL/XL MODELS	LT DUMPBAR WELDMENT	



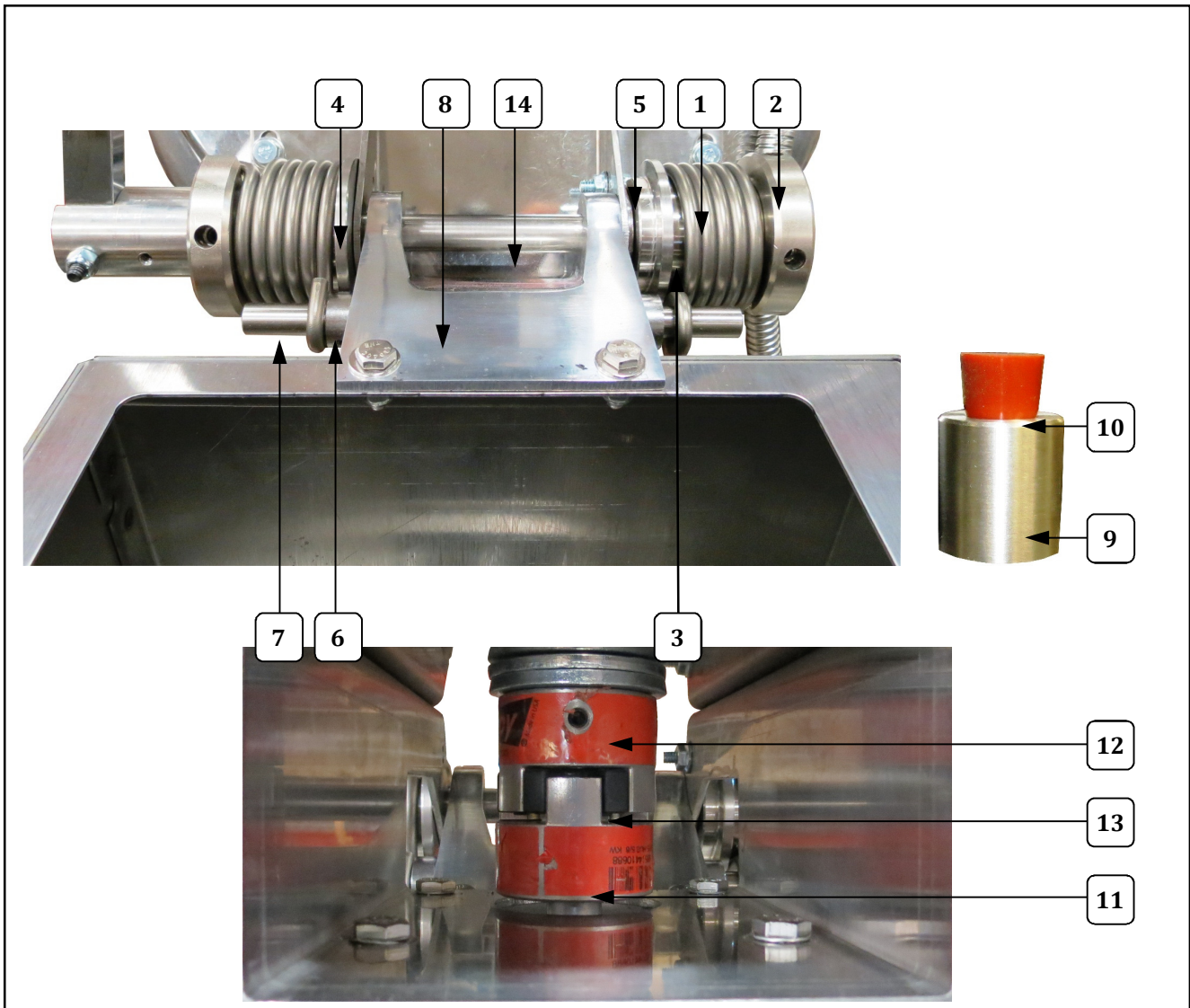
## Spring and Handle Bar



Item	Part No.	Model(s)	Part Description	Qty.
1	74660	ALL	TORSION SPRING	2
2	74661	ALL	COLLAR	2
3	74658	ALL	SPACER (under torsion springs)	4
4	74659	ALL	LARGE SPACER (dump side)	1
5	74690	ALL	LARGE SPACER (customer side)	1
6	47326	ALL	1/2ID x 7/8OD SET COLLAR	2
7	82551	ALL	SPRING RETAINER ROD	1
8	82550	ALL	KETTLE MOUNT BRACKET	1
9	83113	ALL	KETTLE REST	1
10	83111	ALL	KETTLE BUMPER	1
11	46144	ALL	COUPLING BODY, 5/8 BORE	1
12	46145	ALL	COUPLING BODY, 3/4 BORE	1
13	12141	ALL	FLEXIBLE SPIDER	1
14	16705	ALL ER/XR MODELS	RH DUMPCOR WELDMENT	1
	16706	ALL EL/XL MODELS	LT DUMPCOR WELDMENT	



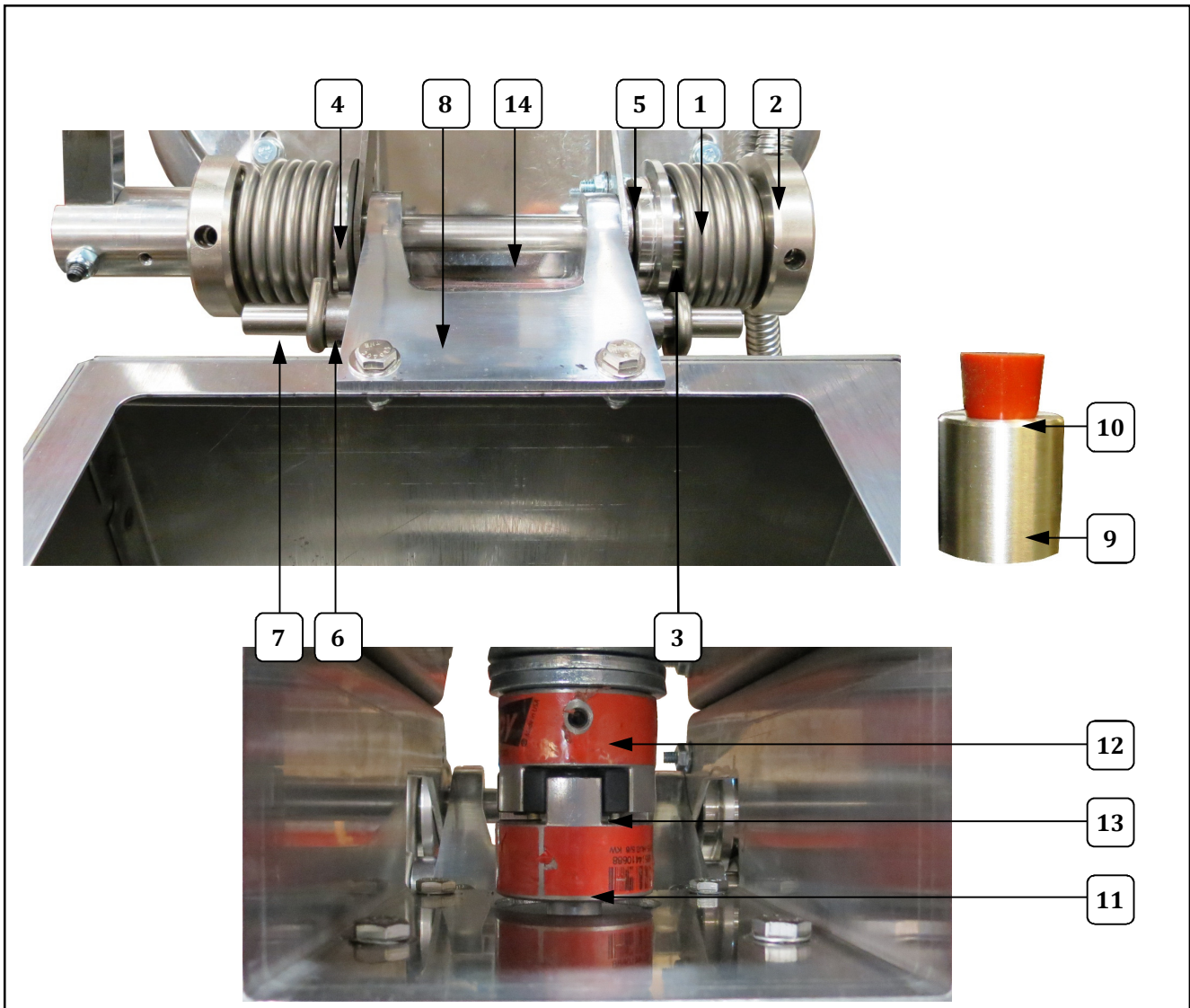
## Spring and Handle Bar



Item	Part No.	Model(s)	Part Description	Qty.
1	74660	ALL	TORSION SPRING	2
2	74661	ALL	COLLAR	2
3	74658	ALL	SPACER (under torsion springs)	4
4	74659	ALL	LARGE SPACER (dump side)	1
5	74690	ALL	LARGE SPACER (customer side)	1
6	47326	ALL	1/2ID x 7/8OD SET COLLAR	2
7	82551	ALL	SPRING RETAINER ROD	1
8	82550	ALL	KETTLE MOUNT BRACKET	1
9	83113	ALL	KETTLE REST	1
10	83111	ALL	KETTLE BUMPER	1
11	46144	ALL	COUPLING BODY, 5/8 BORE	1
12	46145	ALL	COUPLING BODY, 3/4 BORE	1
13	12141	ALL	FLEXIBLE SPIDER	1
14	16705	ALL ER/XR MODELS	RH DUMPBAR WELDMENT	1
	16706	ALL EL/XL MODELS	LT DUMPBAR WELDMENT	



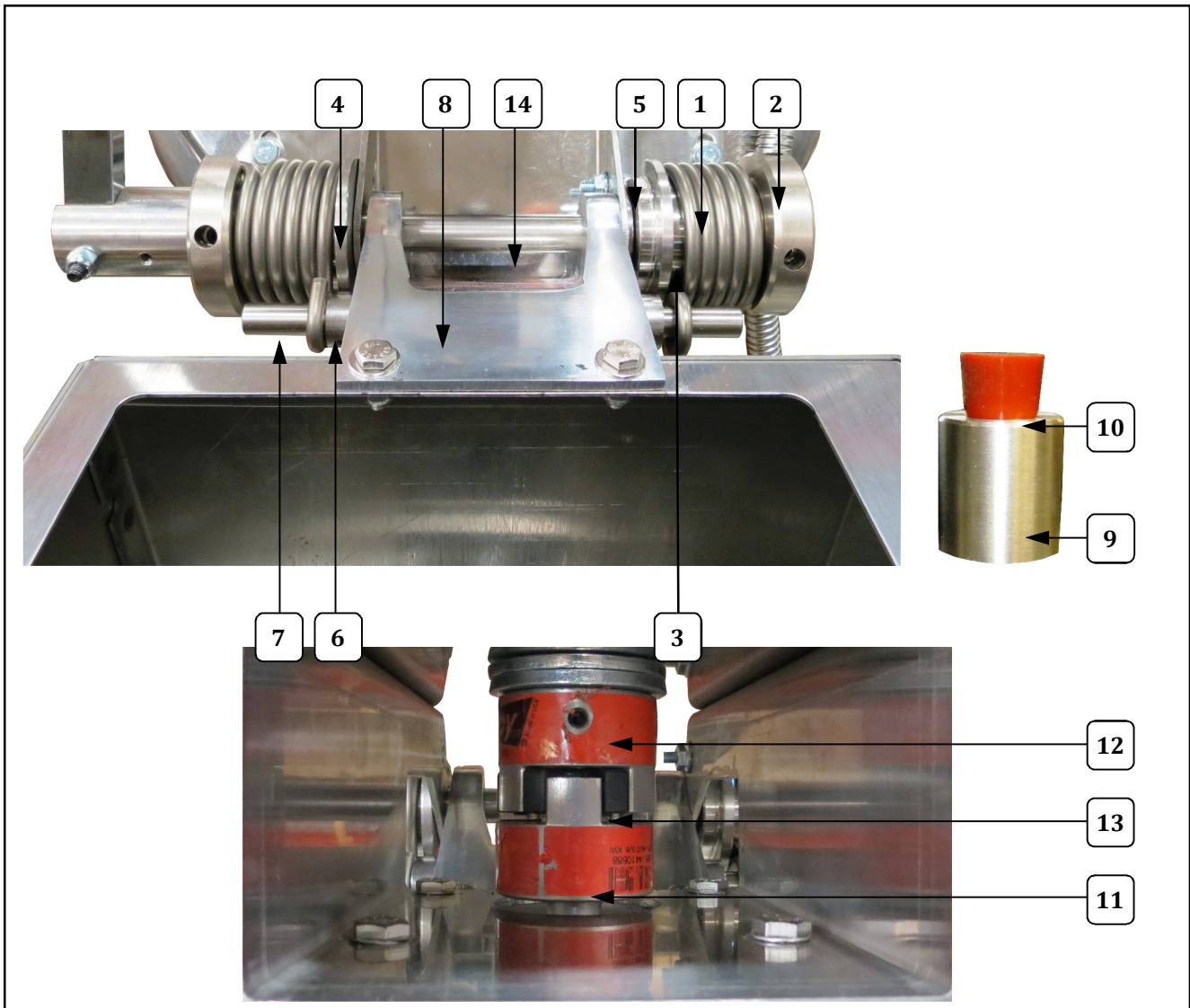
## Spring and Handle Bar



Item	Part No.	Model(s)	Part Description	Qty.
1	74660	ALL	TORSION SPRING	2
2	74661	ALL	COLLAR	2
3	74658	ALL	SPACER (under torsion springs)	4
4	74659	ALL	LARGE SPACER (dump side)	1
5	74690	ALL	LARGE SPACER (customer side)	1
6	47326	ALL	1/2ID x 7/8OD SET COLLAR	2
7	82551	ALL	SPRING RETAINER ROD	1
8	82550	ALL	KETTLE MOUNT BRACKET	1
9	83113	ALL	KETTLE REST	1
10	83111	ALL	KETTLE BUMPER	1
11	46144	ALL	COUPLING BODY, 5/8 BORE	1
12	46145	ALL	COUPLING BODY, 3/4 BORE	1
13	12141	ALL	FLEXIBLE SPIDER	1
14	16705	ALL ER/XR MODELS	RH DUMPBAR WELDMENT	1
	16706	ALL EL/XL MODELS	LT DUMPBAR WELDMENT	



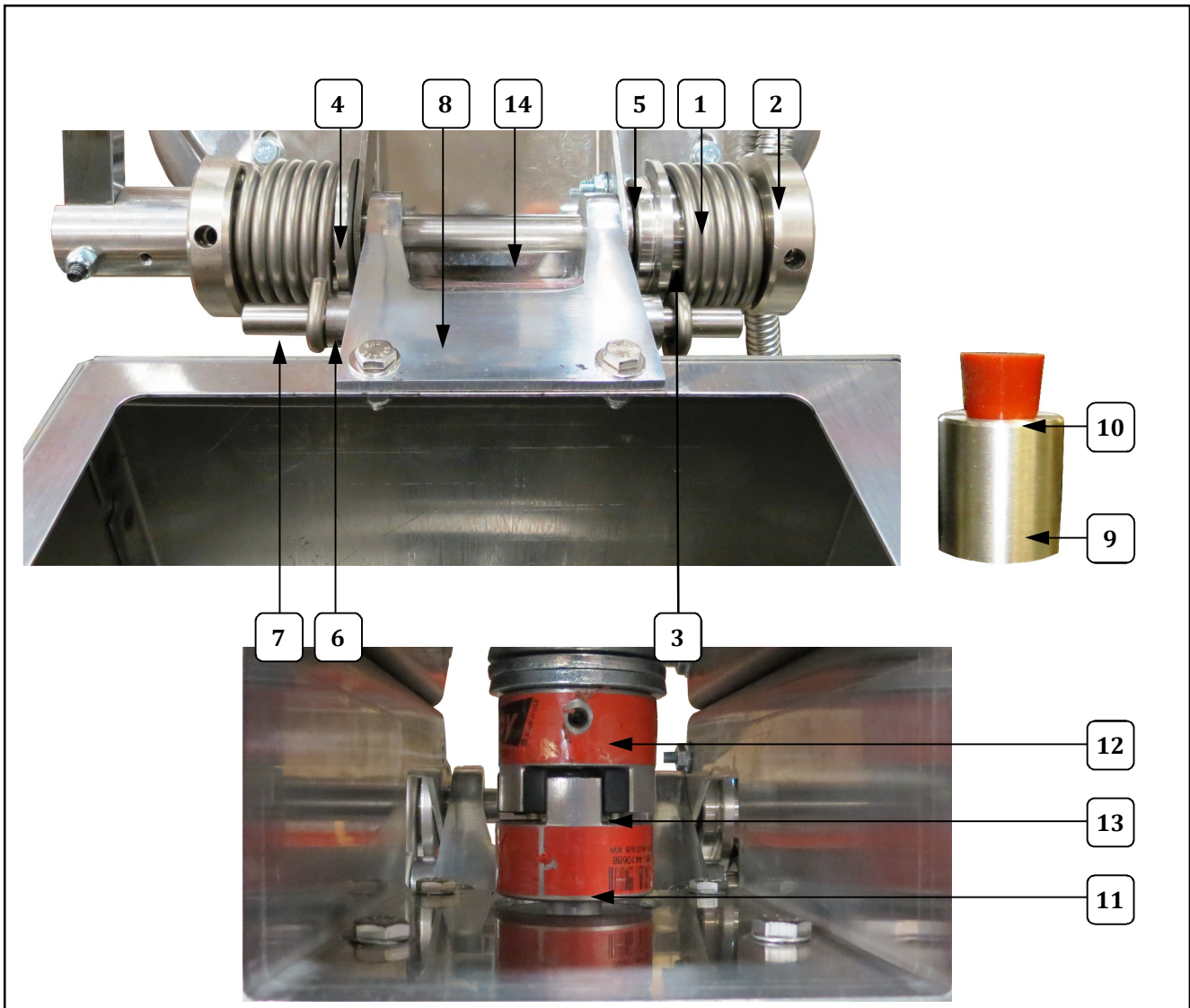
## Spring and Handle Bar



Item	Part No.	Model(s)	Part Description	Qty.
1	74660	ALL	TORSION SPRING	2
2	74661	ALL	COLLAR	2
3	74658	ALL	SPACER (under torsion springs)	4
4	74659	ALL	LARGE SPACER (dump side)	1
5	74690	ALL	LARGE SPACER (customer side)	1
6	47326	ALL	1/2ID x 7/8OD SET COLLAR	2
7	82551	ALL	SPRING RETAINER ROD	1
8	82550	ALL	KETTLE MOUNT BRACKET	1
9	83113	ALL	KETTLE REST	1
10	83111	ALL	KETTLE BUMPER	1
11	46144	ALL	COUPLING BODY, 5/8 BORE	1
12	46145	ALL	COUPLING BODY, 3/4 BORE	1
13	12141	ALL	FLEXIBLE SPIDER	1
14	16705	ALL ER/XR MODELS	RH DUMPBAR WELDMENT	1
	16706	ALL EL/XL MODELS	LT DUMPBAR WELDMENT	



## Spring and Handle Bar



Item	Part No.	Model(s)	Part Description	Qty.
1	74660	ALL	TORSION SPRING	2
2	74661	ALL	COLLAR	2
3	74658	ALL	SPACER (under torsion springs)	4
4	74659	ALL	LARGE SPACER (dump side)	1
5	74690	ALL	LARGE SPACER (customer side)	1
6	47326	ALL	1/2ID x 7/8OD SET COLLAR	2
7	82551	ALL	SPRING RETAINER ROD	1
8	82550	ALL	KETTLE MOUNT BRACKET	1
9	83113	ALL	KETTLE REST	1
10	83111	ALL	KETTLE BUMPER	1
11	46144	ALL	COUPLING BODY, 5/8 BORE	1
12	46145	ALL	COUPLING BODY, 3/4 BORE	1
13	12141	ALL	FLEXIBLE SPIDER	1
14	16705	ALL ER/XR MODELS	RH DUMPBAR WELDMENT	1
	16706	ALL EL/XL MODELS	LT DUMPBAR WELDMENT	