


Care and Cleaning

	⚠ DANGER
	<p>Machine must be properly grounded to prevent electrical shock to personnel. DO NOT immerse in water. DO NOT clean appliance with a water jet. Always unplug the equipment before cleaning or servicing.</p> <p style="text-align: right;">025_111616</p>

	⚠ WARNING
	<p>To avoid burns, DO NOT touch heated surfaces. DO NOT place or leave objects in contact with heated surfaces.</p> <p style="text-align: right;">009_092414</p>

Good sanitation practice demands that all food preparation equipment be cleaned regularly (only use non-toxic, food grade cleaners). A clean looking, well-kept machine is one of the best ways of advertising your product.

Follow the directions below to clean and sanitize the unit each day after use.

1. Turn machine OFF, unplug the unit and allow it to cool before attempting to clean.
2. The exterior surfaces can be cleaned by wiping oil spills with a clean dry towel, then wipe with another clean towel dampened with mild soap and warm water.
3. Wipe the stainless steel parts with a clean cloth and cleaner designed for stainless steel, such as Gold Medal Watchdog Stainless Cleaner (Item No. 2088).
DO NOT use oven cleaners or abrasive materials as they will damage parts of machine.
4. Where applicable, drip pan/drip pan insert may be taken to the sink to clean with mild soap and warm water. Allow to dry, then reassembly.
5. Clean plastic panels with glass cleaner. Gold Medal Watchdog Glass Cleaner (Item No. 2588) is recommended.

Ammonia cleaners will damage plastic panels. Use only non-ammonia cleaners, such as Gold Medal Watchdog Glass Cleaner (Item No. 2588).

Sanitizing the Tubing and Pump

Items Needed: **(2) Empty Pails**

(1) Cleaning Bracket (Item No. [12594](#))

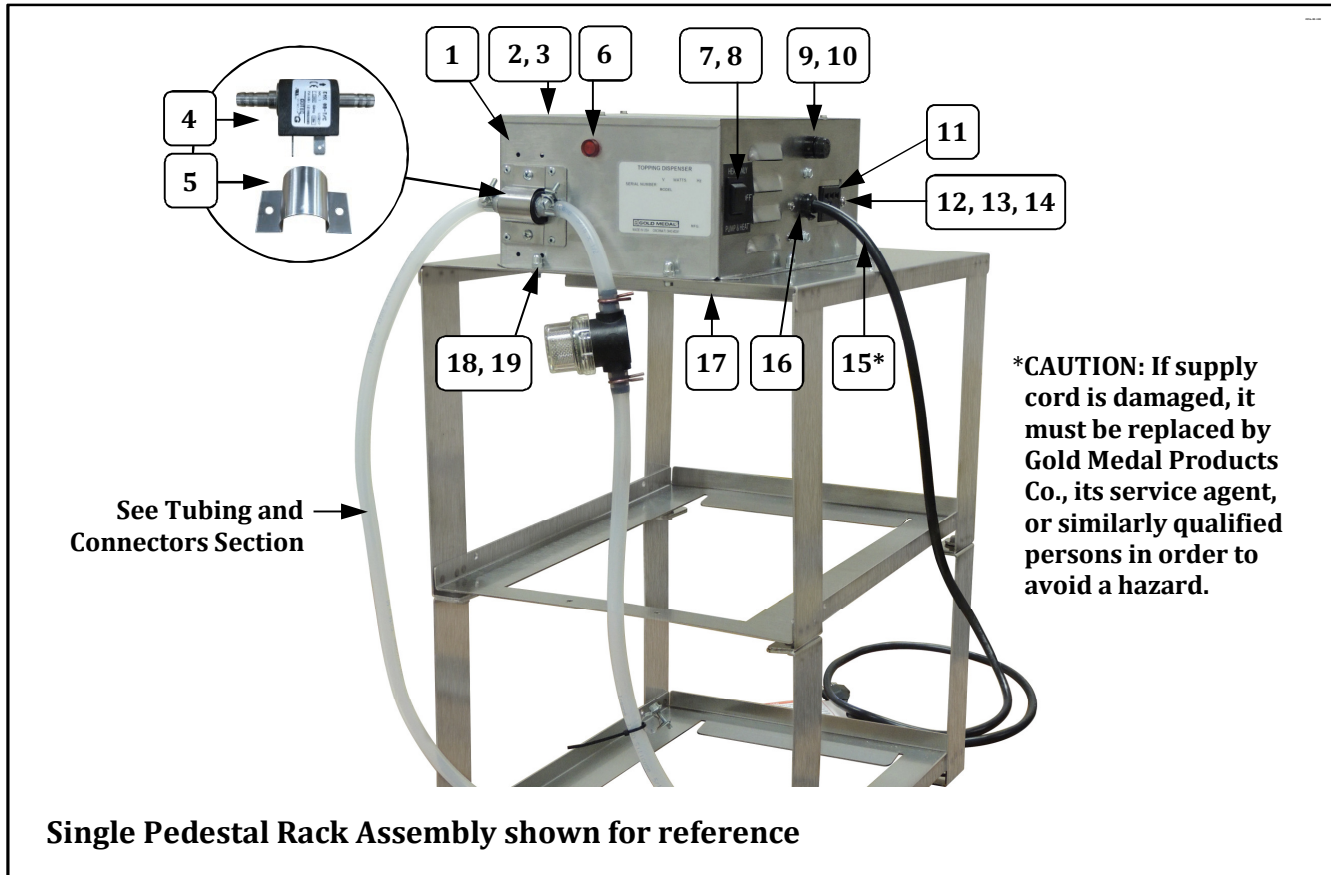
Gold Medal Chlor-Tech Sanitizer (Item No. 1109)

Measure Cup (for priming unit)

1. Make sure Topping Dispenser has cooled completely before attempting to clean.
2. Fill a clean, empty pail half-full with hot water and Gold Medal Chlor-Tech Sanitizer (reference instructions on sanitizer container for appropriate amount).



Rack Assembly - Exterior View

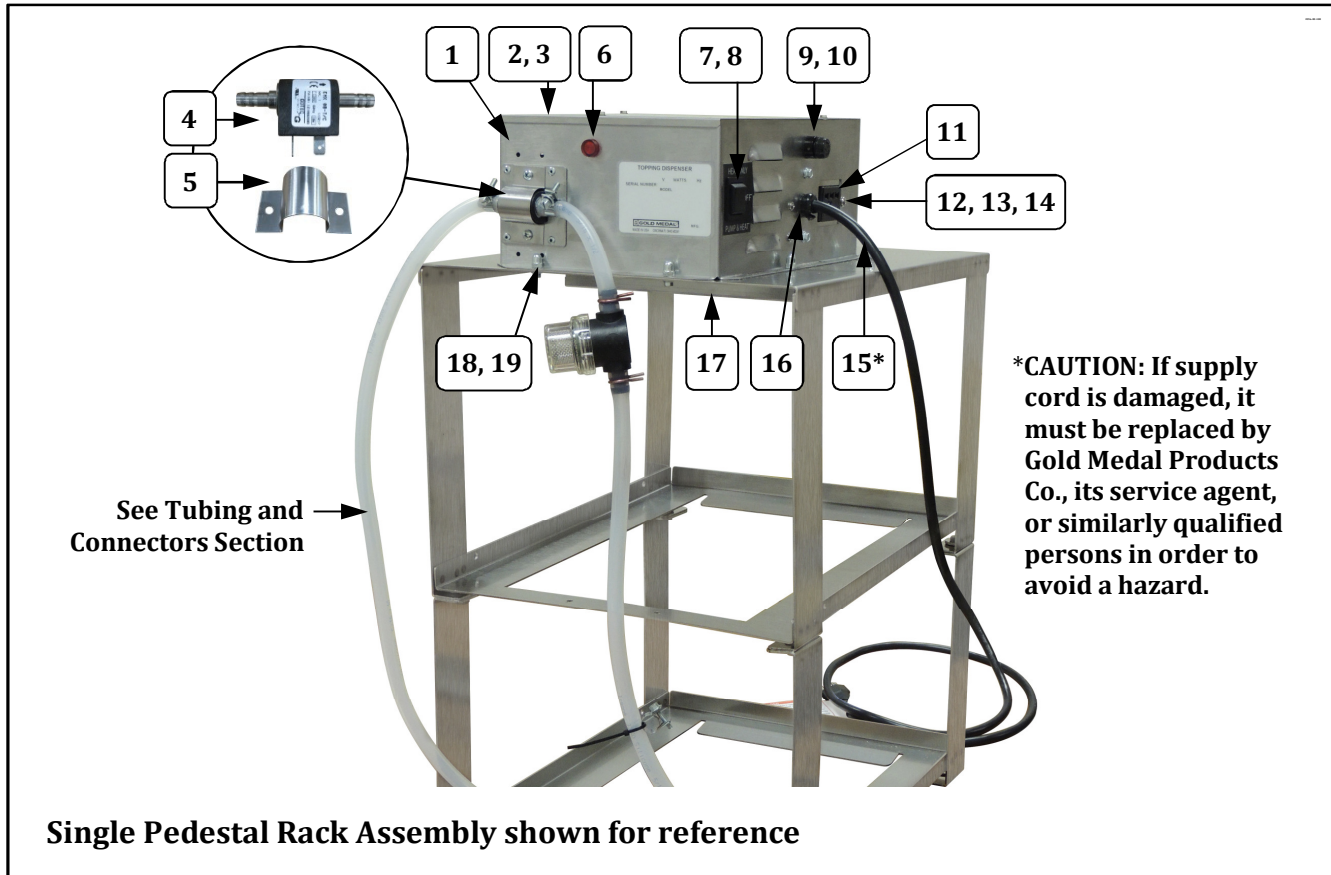


Single Pedestal Rack Assembly shown for reference

Item	Part Description	Part Number		
		2396-00-100 2396-00-110	2396-00-101 2396-00-111	2396-00-140
	COMPLETE RACK ASSEMBLY	77461		
1	CONTROL BOX	79375	79375	79375
2	CONTROL BOX COVER	79377	79377	79377
3	8-32 X 3/8 SLT. HWH M/S (screws to hold cover)	42044	42044	42044
4	B.I.B. BUTTER PUMP	79888	79888	79888
5	RETAINING STRAP	38998	38998	38998
6	RED PILOT LIGHT	41033	41033	41033
7	3 POSITION ROCKER SWITCH	39410	39410	39410
8	SWITCH LABEL	39413	39413	39413
9	FUSE HOLDER	74636	74636	74636
10	1 AMP FUSE	79341	79341	79341
11	SOCKET ASSEMBLY	100299	100299	100299
12	6-32 X 3/8 PHIL PAN M/S (fastens socket assy.)	39000	39000	39000
13	#6 INT. TOOTH L/W 410SS (fastens socket assy.)	39001	39001	39001
14	6-32 M/S NUT 18-8 (fastens socket assy.)	14221	14221	14221
15*	LEAD-IN CORD 15 AMP PLUG	22038	22038	22038
16	R 31-2 STRAIN RELIEF	41735	41735	41735
17	HEAT DEFLECTOR	38995	38995	38995
18	8-32 X 1/4 HX HD WHIZLOCK	42045	42045	42045
19	ACORN NUT #8-32	47702	47702	47702



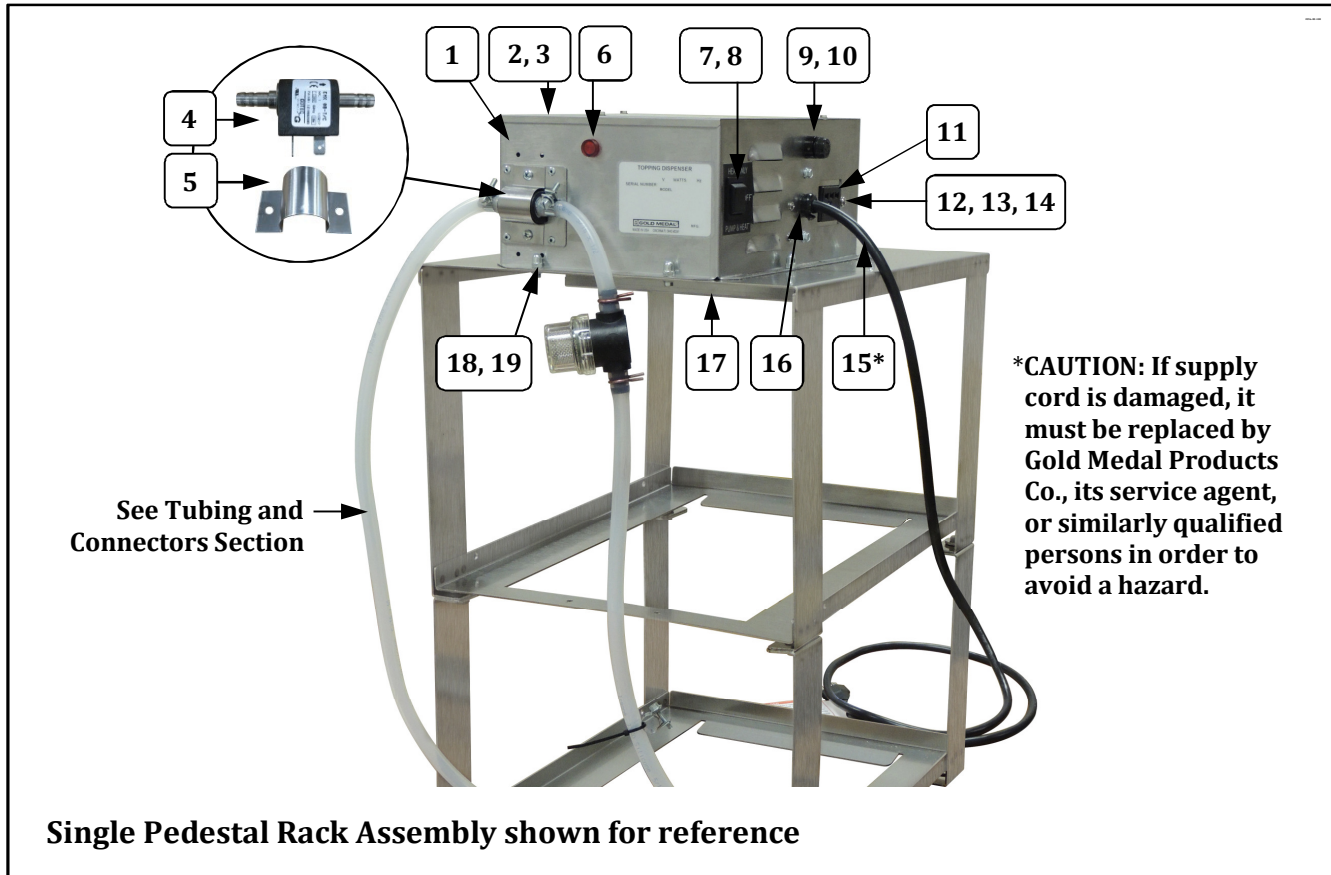
Rack Assembly - Exterior View



Single Pedestal Rack Assembly shown for reference

Item	Part Description	Part Number		
		2396-00-100 2396-00-110	2396-00-101 2396-00-111	2396-00-140
	COMPLETE RACK ASSEMBLY	77461		
1	CONTROL BOX	79375	79375	79375
2	CONTROL BOX COVER	79377	79377	79377
3	8-32 X 3/8 SLT. HWH M/S (screws to hold cover)	42044	42044	42044
4	B.I.B. BUTTER PUMP	79888	79888	79888
5	RETAINING STRAP	38998	38998	38998
6	RED PILOT LIGHT	41033	41033	41033
7	3 POSITION ROCKER SWITCH	39410	39410	39410
8	SWITCH LABEL	39413	39413	39413
9	FUSE HOLDER	74636	74636	74636
10	1 AMP FUSE	79341	79341	79341
11	SOCKET ASSEMBLY	100299	100299	100299
12	6-32 X 3/8 PHIL PAN M/S (fastens socket assy.)	39000	39000	39000
13	#6 INT. TOOTH L/W 410SS (fastens socket assy.)	39001	39001	39001
14	6-32 M/S NUT 18-8 (fastens socket assy.)	14221	14221	14221
15*	LEAD-IN CORD 15 AMP PLUG	22038	22038	22038
16	R 31-2 STRAIN RELIEF	41735	41735	41735
17	HEAT DEFLECTOR	38995	38995	38995
18	8-32 X 1/4 HX HD WHIZLOCK	42045	42045	42045
19	ACORN NUT #8-32	47702	47702	47702

Rack Assembly - Exterior View

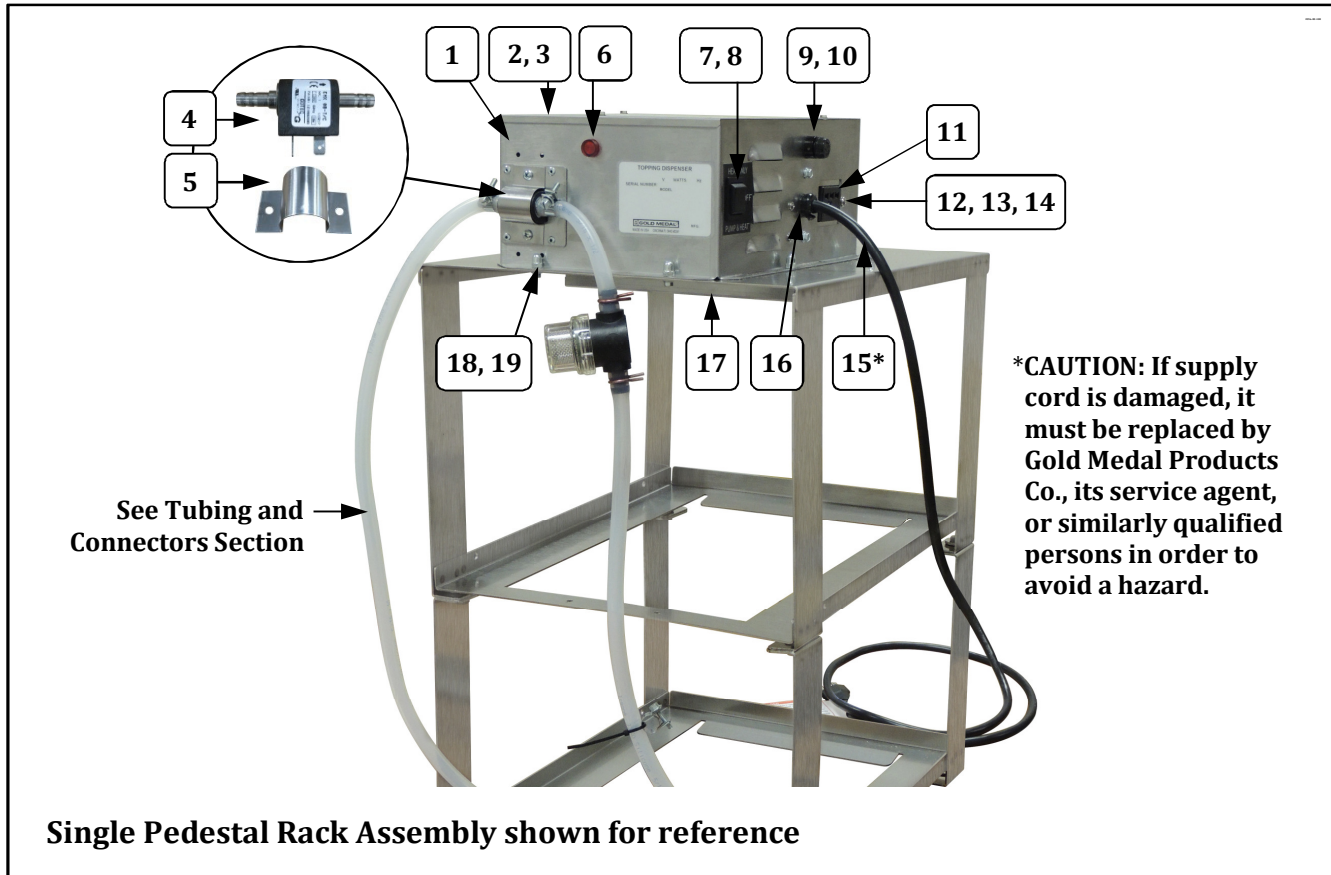


Single Pedestal Rack Assembly shown for reference

Item	Part Description	Part Number		
		2396-00-100 2396-00-110	2396-00-101 2396-00-111	2396-00-140
	COMPLETE RACK ASSEMBLY	77461		
1	CONTROL BOX	79375	79375	79375
2	CONTROL BOX COVER	79377	79377	79377
3	8-32 X 3/8 SLT. HWH M/S (screws to hold cover)	42044	42044	42044
4	B.I.B. BUTTER PUMP	79888	79888	79888
5	RETAINING STRAP	38998	38998	38998
6	RED PILOT LIGHT	41033	41033	41033
7	3 POSITION ROCKER SWITCH	39410	39410	39410
8	SWITCH LABEL	39413	39413	39413
9	FUSE HOLDER	74636	74636	74636
10	1 AMP FUSE	79341	79341	79341
11	SOCKET ASSEMBLY	100299	100299	100299
12	6-32 X 3/8 PHIL PAN M/S (fastens socket assy.)	39000	39000	39000
13	#6 INT. TOOTH L/W 410SS (fastens socket assy.)	39001	39001	39001
14	6-32 M/S NUT 18-8 (fastens socket assy.)	14221	14221	14221
15*	LEAD-IN CORD 15 AMP PLUG	22038	22038	22038
16	R 31-2 STRAIN RELIEF	41735	41735	41735
17	HEAT DEFLECTOR	38995	38995	38995
18	8-32 X 1/4 HX HD WHIZLOCK	42045	42045	42045
19	ACORN NUT #8-32	47702	47702	47702



Rack Assembly - Exterior View

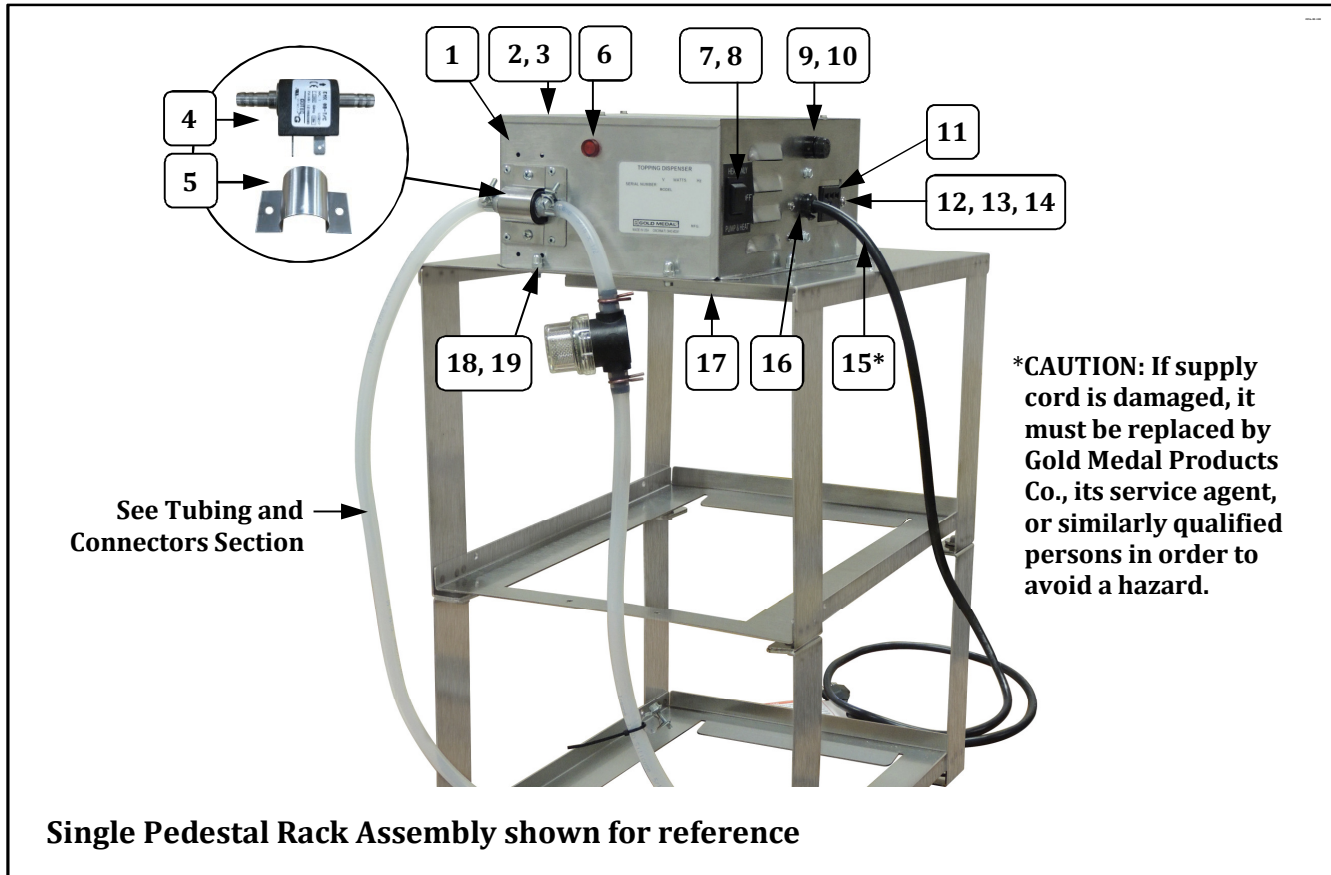


Single Pedestal Rack Assembly shown for reference

Item	Part Description	Part Number		
		2396-00-100 2396-00-110	2396-00-101 2396-00-111	2396-00-140
	COMPLETE RACK ASSEMBLY	77461		
1	CONTROL BOX	79375	79375	79375
2	CONTROL BOX COVER	79377	79377	79377
3	8-32 X 3/8 SLT. HWH M/S (screws to hold cover)	42044	42044	42044
4	B.I.B. BUTTER PUMP	79888	79888	79888
5	RETAINING STRAP	38998	38998	38998
6	RED PILOT LIGHT	41033	41033	41033
7	3 POSITION ROCKER SWITCH	39410	39410	39410
8	SWITCH LABEL	39413	39413	39413
9	FUSE HOLDER	74636	74636	74636
10	1 AMP FUSE	79341	79341	79341
11	SOCKET ASSEMBLY	100299	100299	100299
12	6-32 X 3/8 PHIL PAN M/S (fastens socket assy.)	39000	39000	39000
13	#6 INT. TOOTH L/W 410SS (fastens socket assy.)	39001	39001	39001
14	6-32 M/S NUT 18-8 (fastens socket assy.)	14221	14221	14221
15*	LEAD-IN CORD 15 AMP PLUG	22038	22038	22038
16	R 31-2 STRAIN RELIEF	41735	41735	41735
17	HEAT DEFLECTOR	38995	38995	38995
18	8-32 X 1/4 HX HD WHIZLOCK	42045	42045	42045
19	ACORN NUT #8-32	47702	47702	47702



Rack Assembly - Exterior View



See Tubing and Connectors Section

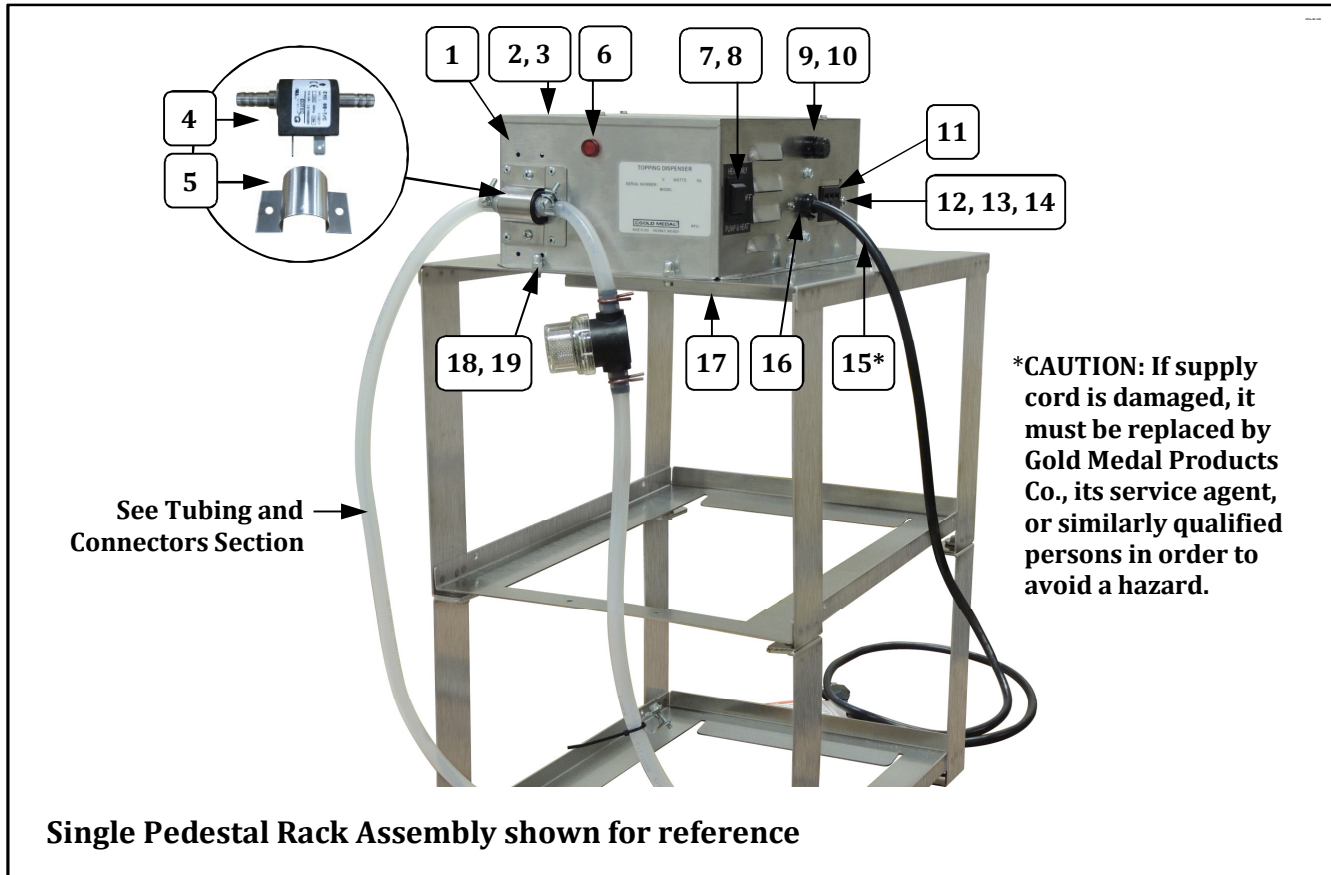
***CAUTION:** If supply cord is damaged, it must be replaced by Gold Medal Products Co., its service agent, or similarly qualified persons in order to avoid a hazard.

Single Pedestal Rack Assembly shown for reference

Item	Part Description	Part Number		
		2396-00-100 2396-00-110	2396-00-101 2396-00-111	2396-00-140
	COMPLETE RACK ASSEMBLY	77461		
1	CONTROL BOX	79375	79375	79375
2	CONTROL BOX COVER	79377	79377	79377
3	8-32 X 3/8 SLT. HWH M/S (screws to hold cover)	42044	42044	42044
4	B.I.B. BUTTER PUMP	79888	79888	79888
5	RETAINING STRAP	38998	38998	38998
6	RED PILOT LIGHT	41033	41033	41033
7	3 POSITION ROCKER SWITCH	39410	39410	39410
8	SWITCH LABEL	39413	39413	39413
9	FUSE HOLDER	74636	74636	74636
10	1 AMP FUSE	79341	79341	79341
11	SOCKET ASSEMBLY	100299	100299	100299
12	6-32 X 3/8 PHIL PAN M/S (fastens socket assy.)	39000	39000	39000
13	#6 INT. TOOTH L/W 410SS (fastens socket assy.)	39001	39001	39001
14	6-32 M/S NUT 18-8 (fastens socket assy.)	14221	14221	14221
15*	LEAD-IN CORD 15 AMP PLUG	22038	22038	22038
16	R 31-2 STRAIN RELIEF	41735	41735	41735
17	HEAT DEFLECTOR	38995	38995	38995
18	8-32 X 1/4 HX HD WHIZLOCK	42045	42045	42045
19	ACORN NUT #8-32	47702	47702	47702



Rack Assembly - Exterior View

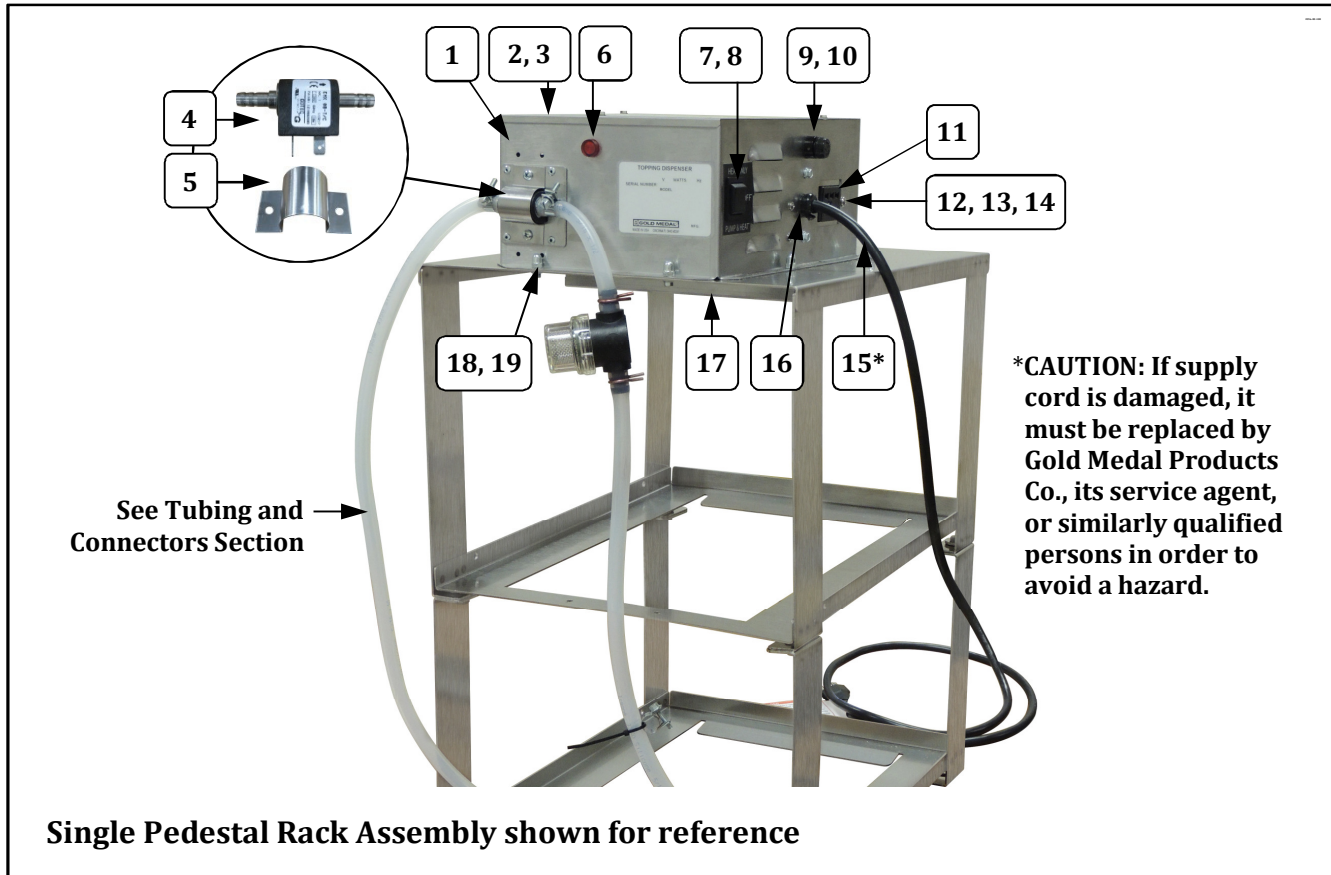


Single Pedestal Rack Assembly shown for reference

Item	Part Description	Part Number		
		2396-00-100 2396-00-110	2396-00-101 2396-00-111	2396-00-140
	COMPLETE RACK ASSEMBLY	77461		
1	CONTROL BOX	79375	79375	79375
2	CONTROL BOX COVER	79377	79377	79377
3	8-32 X 3/8 SLT. HWH M/S (screws to hold cover)	42044	42044	42044
4	B.I.B. BUTTER PUMP	79888	79888	79888
5	RETAINING STRAP	38998	38998	38998
6	RED PILOT LIGHT	41033	41033	41033
7	3 POSITION ROCKER SWITCH	39410	39410	39410
8	SWITCH LABEL	39413	39413	39413
9	FUSE HOLDER	74636	74636	74636
10	1 AMP FUSE	79341	79341	79341
11	SOCKET ASSEMBLY	100299	100299	100299
12	6-32 X 3/8 PHIL PAN M/S (fastens socket assy.)	39000	39000	39000
13	#6 INT. TOOTH L/W 410SS (fastens socket assy.)	39001	39001	39001
14	6-32 M/S NUT 18-8 (fastens socket assy.)	14221	14221	14221
15*	LEAD-IN CORD 15 AMP PLUG	22038	22038	22038
16	R 31-2 STRAIN RELIEF	41735	41735	41735
17	HEAT DEFLECTOR	38995	38995	38995
18	8-32 X 1/4 HX HD WHIZLOCK	42045	42045	42045
19	ACORN NUT #8-32	47702	47702	47702



Rack Assembly - Exterior View

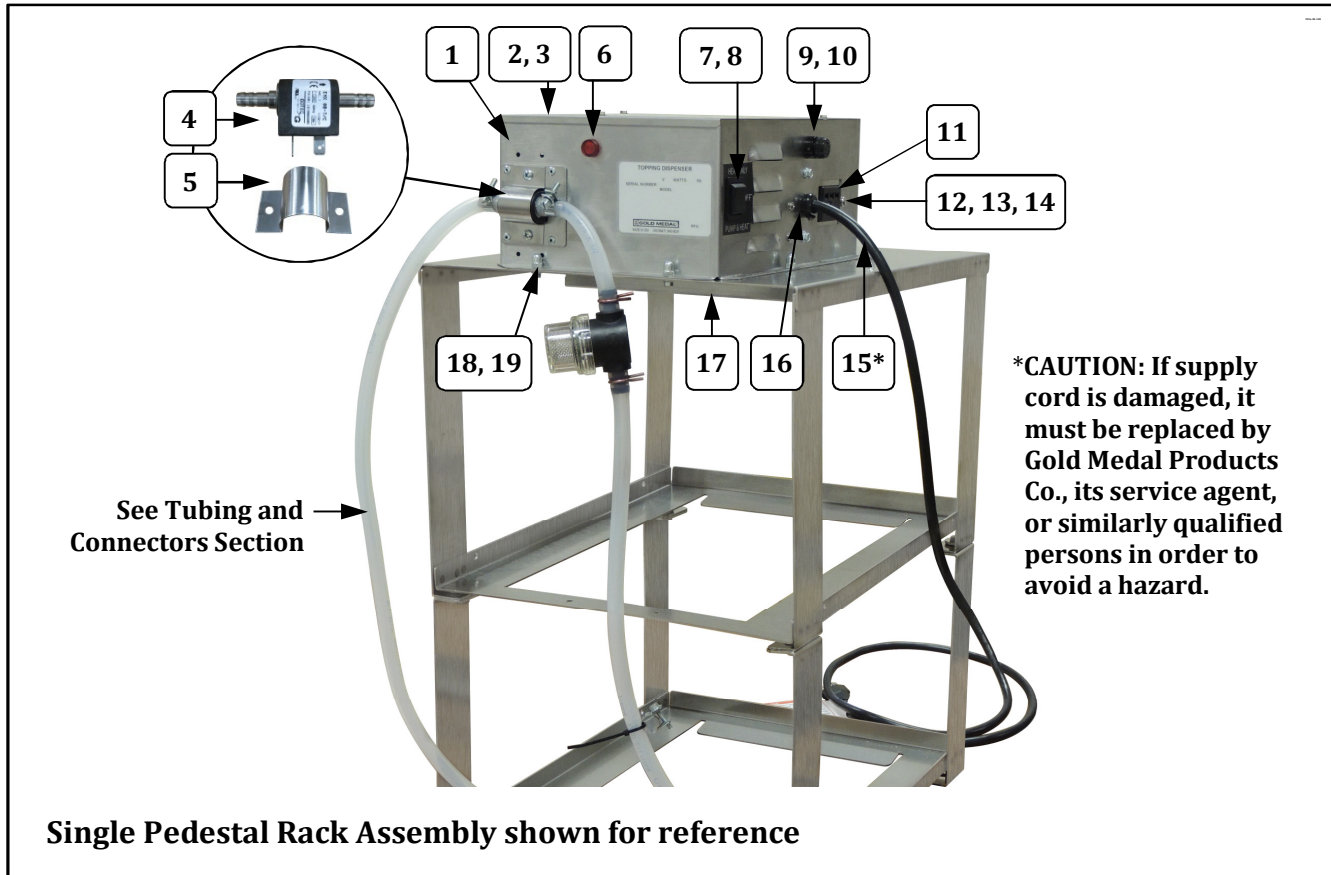


Single Pedestal Rack Assembly shown for reference

Item	Part Description	Part Number		
		2396-00-100 2396-00-110	2396-00-101 2396-00-111	2396-00-140
	COMPLETE RACK ASSEMBLY	77461		
1	CONTROL BOX	79375	79375	79375
2	CONTROL BOX COVER	79377	79377	79377
3	8-32 X 3/8 SLT. HWH M/S (screws to hold cover)	42044	42044	42044
4	B.I.B. BUTTER PUMP	79888	79888	79888
5	RETAINING STRAP	38998	38998	38998
6	RED PILOT LIGHT	41033	41033	41033
7	3 POSITION ROCKER SWITCH	39410	39410	39410
8	SWITCH LABEL	39413	39413	39413
9	FUSE HOLDER	74636	74636	74636
10	1 AMP FUSE	79341	79341	79341
11	SOCKET ASSEMBLY	100299	100299	100299
12	6-32 X 3/8 PHIL PAN M/S (fastens socket assy.)	39000	39000	39000
13	#6 INT. TOOTH L/W 410SS (fastens socket assy.)	39001	39001	39001
14	6-32 M/S NUT 18-8 (fastens socket assy.)	14221	14221	14221
15*	LEAD-IN CORD 15 AMP PLUG	22038	22038	22038
16	R 31-2 STRAIN RELIEF	41735	41735	41735
17	HEAT DEFLECTOR	38995	38995	38995
18	8-32 X 1/4 HX HD WHIZLOCK	42045	42045	42045
19	ACORN NUT #8-32	47702	47702	47702



Rack Assembly - Exterior View

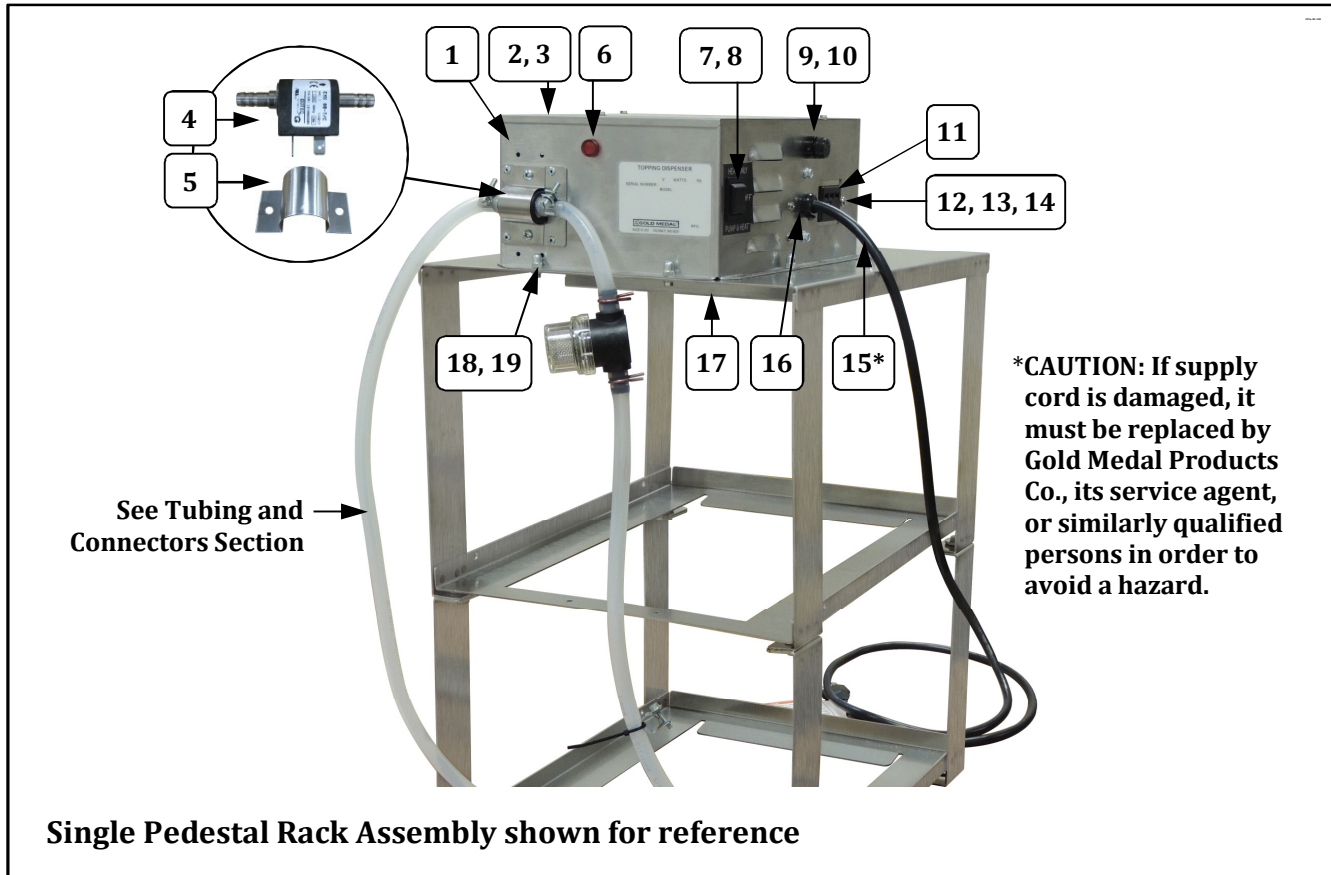


Single Pedestal Rack Assembly shown for reference

Item	Part Description	Part Number		
		2396-00-100 2396-00-110	2396-00-101 2396-00-111	2396-00-140
	COMPLETE RACK ASSEMBLY	77461		
1	CONTROL BOX	79375	79375	79375
2	CONTROL BOX COVER	79377	79377	79377
3	8-32 X 3/8 SLT. HWH M/S (screws to hold cover)	42044	42044	42044
4	B.I.B. BUTTER PUMP	79888	79888	79888
5	RETAINING STRAP	38998	38998	38998
6	RED PILOT LIGHT	41033	41033	41033
7	3 POSITION ROCKER SWITCH	39410	39410	39410
8	SWITCH LABEL	39413	39413	39413
9	FUSE HOLDER	74636	74636	74636
10	1 AMP FUSE	79341	79341	79341
11	SOCKET ASSEMBLY	100299	100299	100299
12	6-32 X 3/8 PHIL PAN M/S (fastens socket assy.)	39000	39000	39000
13	#6 INT. TOOTH L/W 410SS (fastens socket assy.)	39001	39001	39001
14	6-32 M/S NUT 18-8 (fastens socket assy.)	14221	14221	14221
15*	LEAD-IN CORD 15 AMP PLUG	22038	22038	22038
16	R 31-2 STRAIN RELIEF	41735	41735	41735
17	HEAT DEFLECTOR	38995	38995	38995
18	8-32 X 1/4 HX HD WHIZLOCK	42045	42045	42045
19	ACORN NUT #8-32	47702	47702	47702



Rack Assembly - Exterior View

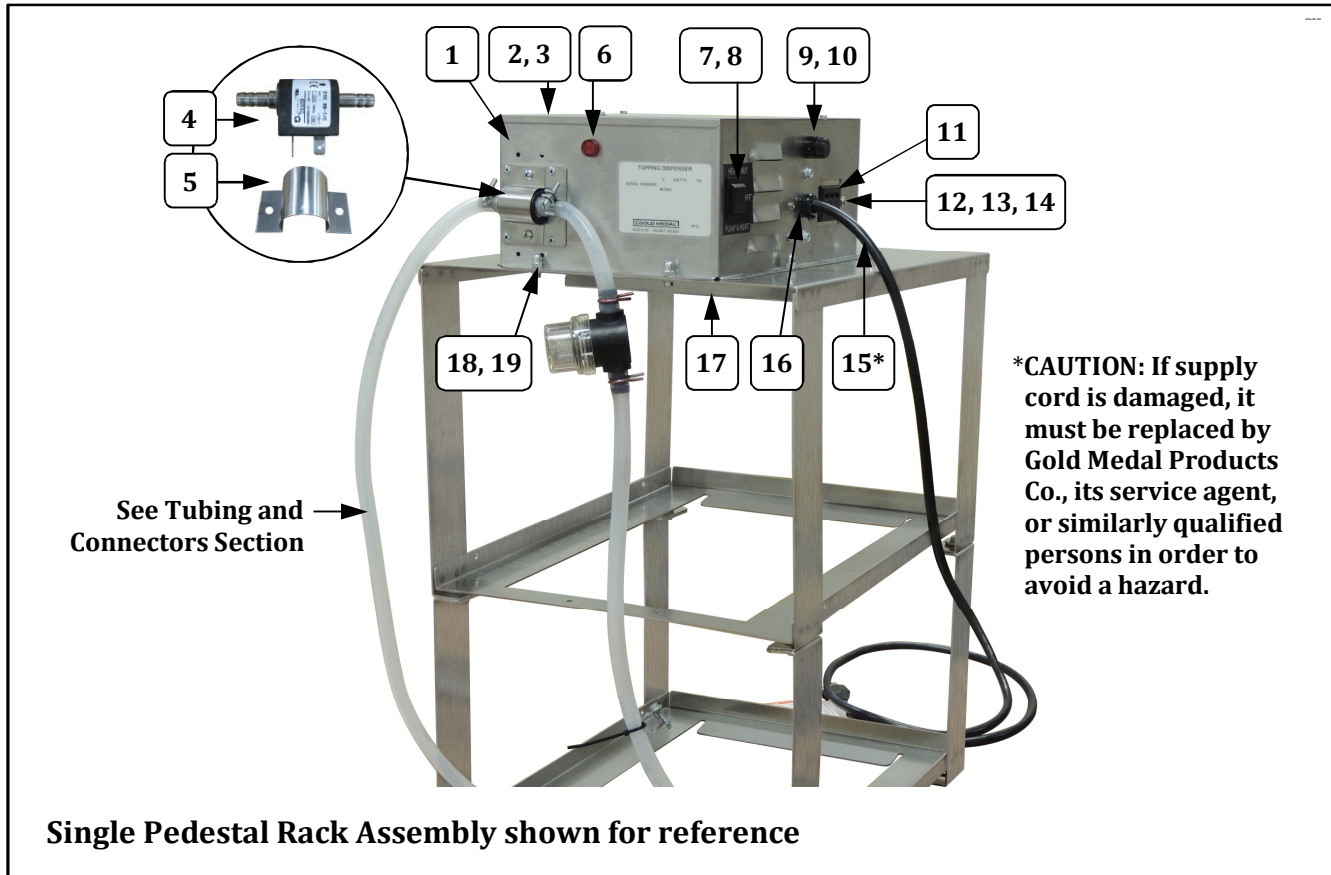


Single Pedestal Rack Assembly shown for reference

Item	Part Description	Part Number		
		2396-00-100 2396-00-110	2396-00-101 2396-00-111	2396-00-140
	COMPLETE RACK ASSEMBLY	77461		
1	CONTROL BOX	79375	79375	79375
2	CONTROL BOX COVER	79377	79377	79377
3	8-32 X 3/8 SLT. HWH M/S (screws to hold cover)	42044	42044	42044
4	B.I.B. BUTTER PUMP	79888	79888	79888
5	RETAINING STRAP	38998	38998	38998
6	RED PILOT LIGHT	41033	41033	41033
7	3 POSITION ROCKER SWITCH	39410	39410	39410
8	SWITCH LABEL	39413	39413	39413
9	FUSE HOLDER	74636	74636	74636
10	1 AMP FUSE	79341	79341	79341
11	SOCKET ASSEMBLY	100299	100299	100299
12	6-32 X 3/8 PHIL PAN M/S (fastens socket assy.)	39000	39000	39000
13	#6 INT. TOOTH L/W 410SS (fastens socket assy.)	39001	39001	39001
14	6-32 M/S NUT 18-8 (fastens socket assy.)	14221	14221	14221
15*	LEAD-IN CORD 15 AMP PLUG	22038	22038	22038
16	R 31-2 STRAIN RELIEF	41735	41735	41735
17	HEAT DEFLECTOR	38995	38995	38995
18	8-32 X 1/4 HX HD WHIZLOCK	42045	42045	42045
19	ACORN NUT #8-32	47702	47702	47702



Rack Assembly - Exterior View

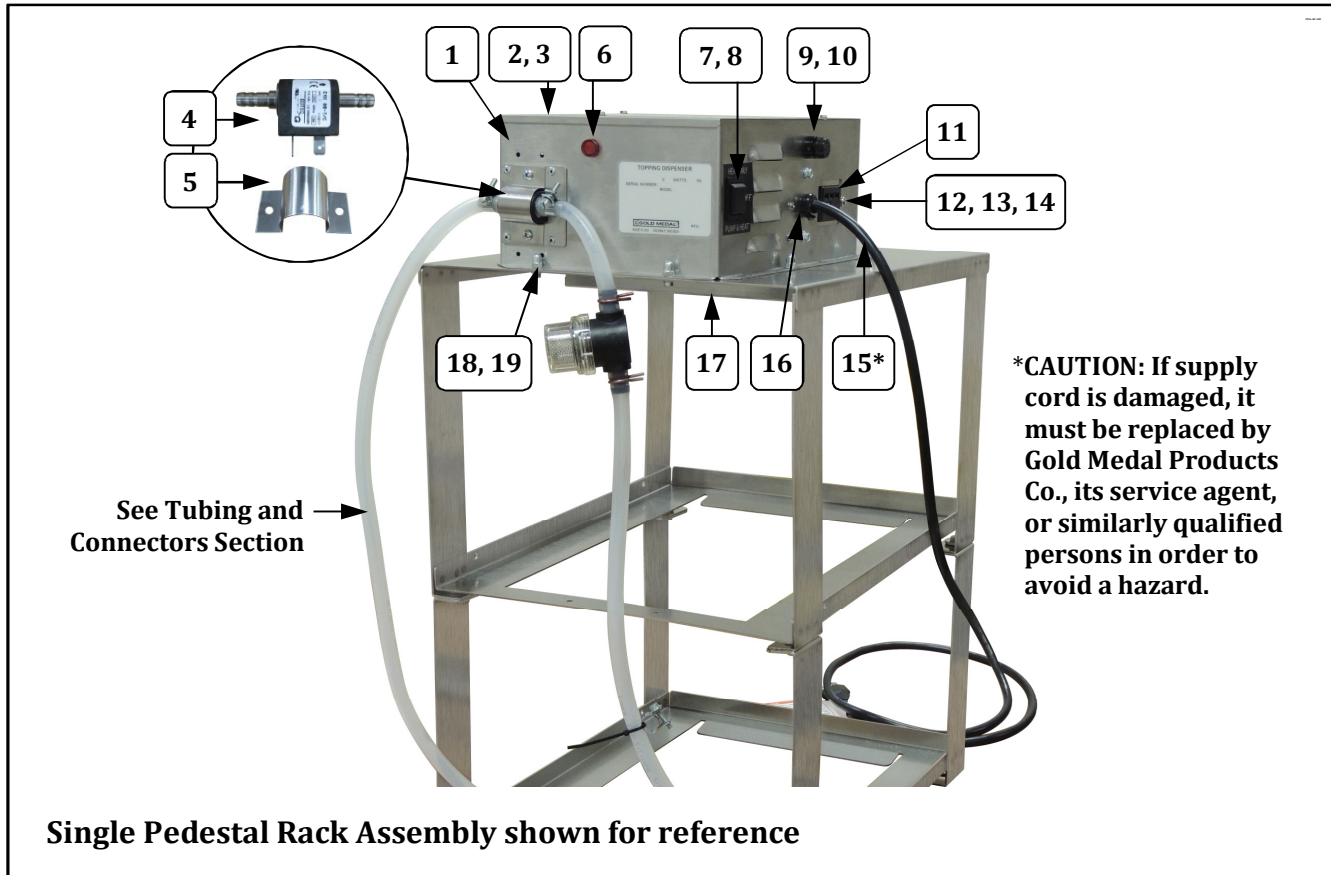


Single Pedestal Rack Assembly shown for reference

Item	Part Description	Part Number		
		2396-00-100 2396-00-110	2396-00-101 2396-00-111	2396-00-140
	COMPLETE RACK ASSEMBLY	77461		
1	CONTROL BOX	79375	79375	79375
2	CONTROL BOX COVER	79377	79377	79377
3	8-32 X 3/8 SLT. HWH M/S (screws to hold cover)	42044	42044	42044
4	B.I.B. BUTTER PUMP	79888	79888	79888
5	RETAINING STRAP	38998	38998	38998
6	RED PILOT LIGHT	41033	41033	41033
7	3 POSITION ROCKER SWITCH	39410	39410	39410
8	SWITCH LABEL	39413	39413	39413
9	FUSE HOLDER	74636	74636	74636
10	1 AMP FUSE	79341	79341	79341
11	SOCKET ASSEMBLY	100299	100299	100299
12	6-32 X 3/8 PHIL PAN M/S (fastens socket assy.)	39000	39000	39000
13	#6 INT. TOOTH L/W 410SS (fastens socket assy.)	39001	39001	39001
14	6-32 M/S NUT 18-8 (fastens socket assy.)	14221	14221	14221
15*	LEAD-IN CORD 15 AMP PLUG	22038	22038	22038
16	R 31-2 STRAIN RELIEF	41735	41735	41735
17	HEAT DEFLECTOR	38995	38995	38995
18	8-32 X 1/4 HX HD WHIZLOCK	42045	42045	42045
19	ACORN NUT #8-32	47702	47702	47702



Rack Assembly - Exterior View



See Tubing and Connectors Section

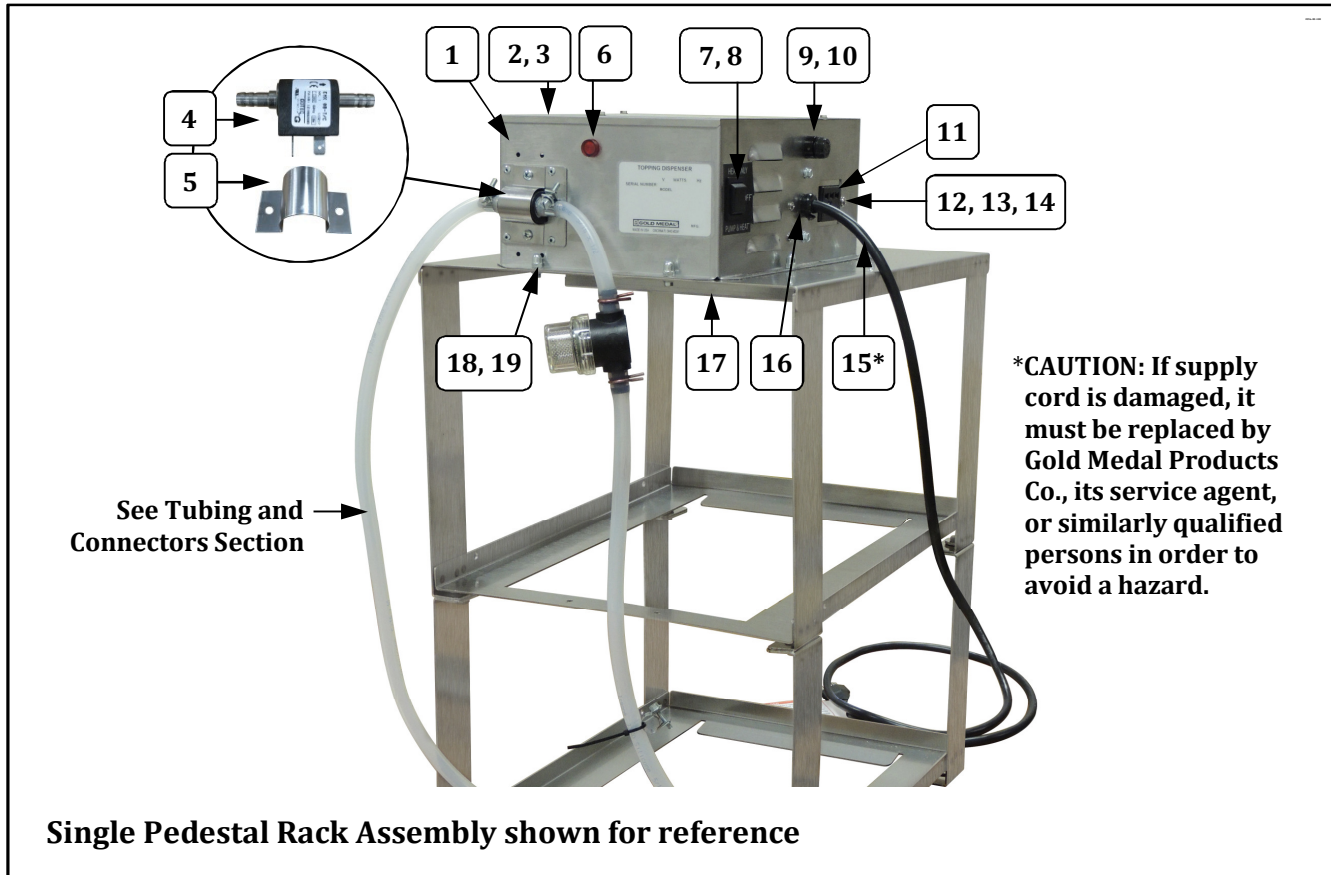
***CAUTION:** If supply cord is damaged, it must be replaced by Gold Medal Products Co., its service agent, or similarly qualified persons in order to avoid a hazard.

Single Pedestal Rack Assembly shown for reference

Item	Part Description	Part Number		
		2396-00-100 2396-00-110	2396-00-101 2396-00-111	2396-00-140
	COMPLETE RACK ASSEMBLY	77461		
1	CONTROL BOX	79375	79375	79375
2	CONTROL BOX COVER	79377	79377	79377
3	8-32 X 3/8 SLT. HWH M/S (screws to hold cover)	42044	42044	42044
4	B.I.B. BUTTER PUMP	79888	79888	79888
5	RETAINING STRAP	38998	38998	38998
6	RED PILOT LIGHT	41033	41033	41033
7	3 POSITION ROCKER SWITCH	39410	39410	39410
8	SWITCH LABEL	39413	39413	39413
9	FUSE HOLDER	74636	74636	74636
10	1 AMP FUSE	79341	79341	79341
11	SOCKET ASSEMBLY	100299	100299	100299
12	6-32 X 3/8 PHIL PAN M/S (fastens socket assy.)	39000	39000	39000
13	#6 INT. TOOTH L/W 410SS (fastens socket assy.)	39001	39001	39001
14	6-32 M/S NUT 18-8 (fastens socket assy.)	14221	14221	14221
15*	LEAD-IN CORD 15 AMP PLUG	22038	22038	22038
16	R 31-2 STRAIN RELIEF	41735	41735	41735
17	HEAT DEFLECTOR	38995	38995	38995
18	8-32 X 1/4 HX HD WHIZLOCK	42045	42045	42045
19	ACORN NUT #8-32	47702	47702	47702



Rack Assembly - Exterior View

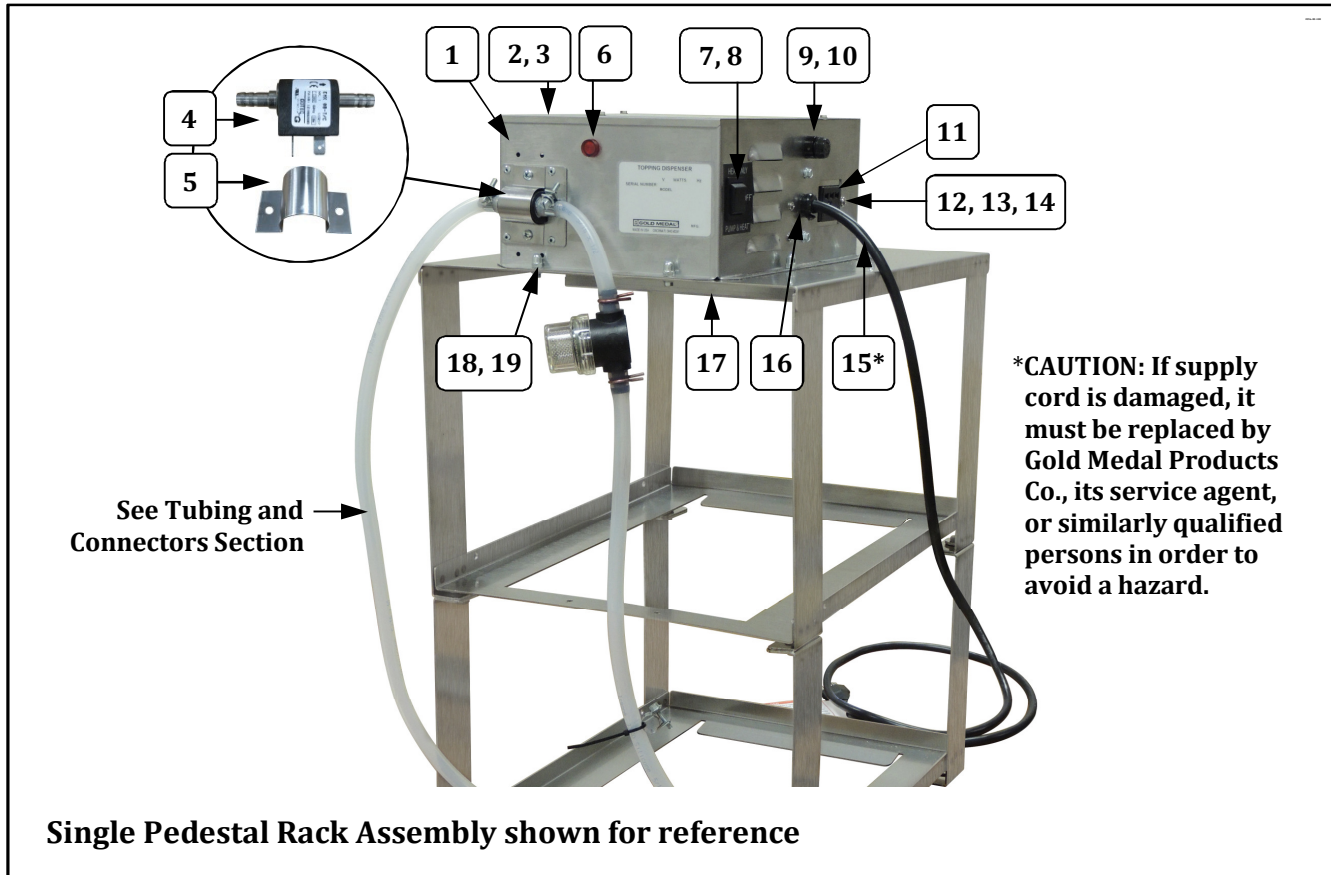


Single Pedestal Rack Assembly shown for reference

Item	Part Description	Part Number		
		2396-00-100 2396-00-110	2396-00-101 2396-00-111	2396-00-140
	COMPLETE RACK ASSEMBLY	77461		
1	CONTROL BOX	79375	79375	79375
2	CONTROL BOX COVER	79377	79377	79377
3	8-32 X 3/8 SLT. HWH M/S (screws to hold cover)	42044	42044	42044
4	B.I.B. BUTTER PUMP	79888	79888	79888
5	RETAINING STRAP	38998	38998	38998
6	RED PILOT LIGHT	41033	41033	41033
7	3 POSITION ROCKER SWITCH	39410	39410	39410
8	SWITCH LABEL	39413	39413	39413
9	FUSE HOLDER	74636	74636	74636
10	1 AMP FUSE	79341	79341	79341
11	SOCKET ASSEMBLY	100299	100299	100299
12	6-32 X 3/8 PHIL PAN M/S (fastens socket assy.)	39000	39000	39000
13	#6 INT. TOOTH L/W 410SS (fastens socket assy.)	39001	39001	39001
14	6-32 M/S NUT 18-8 (fastens socket assy.)	14221	14221	14221
15*	LEAD-IN CORD 15 AMP PLUG	22038	22038	22038
16	R 31-2 STRAIN RELIEF	41735	41735	41735
17	HEAT DEFLECTOR	38995	38995	38995
18	8-32 X 1/4 HX HD WHIZLOCK	42045	42045	42045
19	ACORN NUT #8-32	47702	47702	47702



Rack Assembly - Exterior View

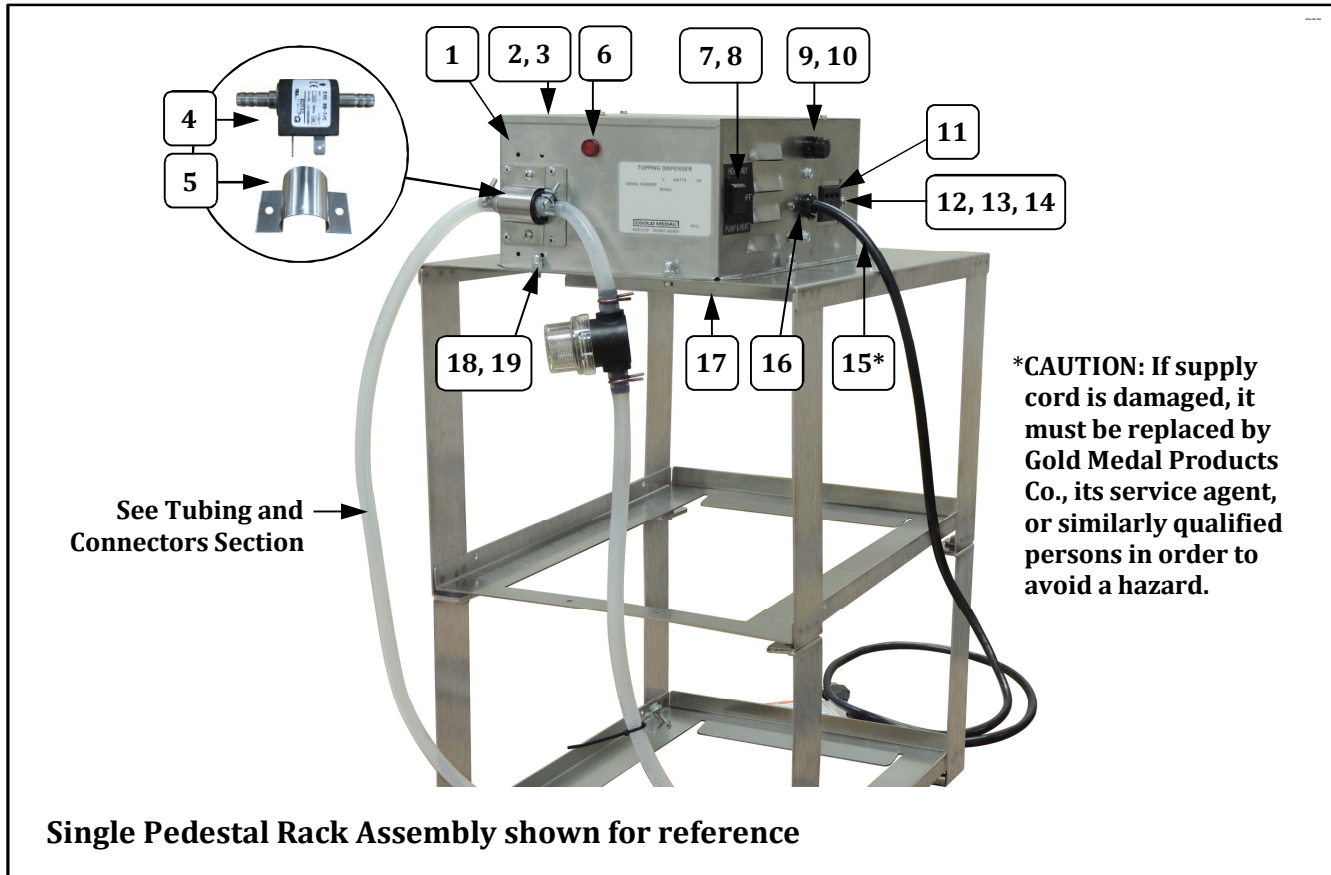


Single Pedestal Rack Assembly shown for reference

Item	Part Description	Part Number		
		2396-00-100 2396-00-110	2396-00-101 2396-00-111	2396-00-140
	COMPLETE RACK ASSEMBLY	77461		
1	CONTROL BOX	79375	79375	79375
2	CONTROL BOX COVER	79377	79377	79377
3	8-32 X 3/8 SLT. HWH M/S (screws to hold cover)	42044	42044	42044
4	B.I.B. BUTTER PUMP	79888	79888	79888
5	RETAINING STRAP	38998	38998	38998
6	RED PILOT LIGHT	41033	41033	41033
7	3 POSITION ROCKER SWITCH	39410	39410	39410
8	SWITCH LABEL	39413	39413	39413
9	FUSE HOLDER	74636	74636	74636
10	1 AMP FUSE	79341	79341	79341
11	SOCKET ASSEMBLY	100299	100299	100299
12	6-32 X 3/8 PHIL PAN M/S (fastens socket assy.)	39000	39000	39000
13	#6 INT. TOOTH L/W 410SS (fastens socket assy.)	39001	39001	39001
14	6-32 M/S NUT 18-8 (fastens socket assy.)	14221	14221	14221
15*	LEAD-IN CORD 15 AMP PLUG	22038	22038	22038
16	R 31-2 STRAIN RELIEF	41735	41735	41735
17	HEAT DEFLECTOR	38995	38995	38995
18	8-32 X 1/4 HX HD WHIZLOCK	42045	42045	42045
19	ACORN NUT #8-32	47702	47702	47702



Rack Assembly - Exterior View

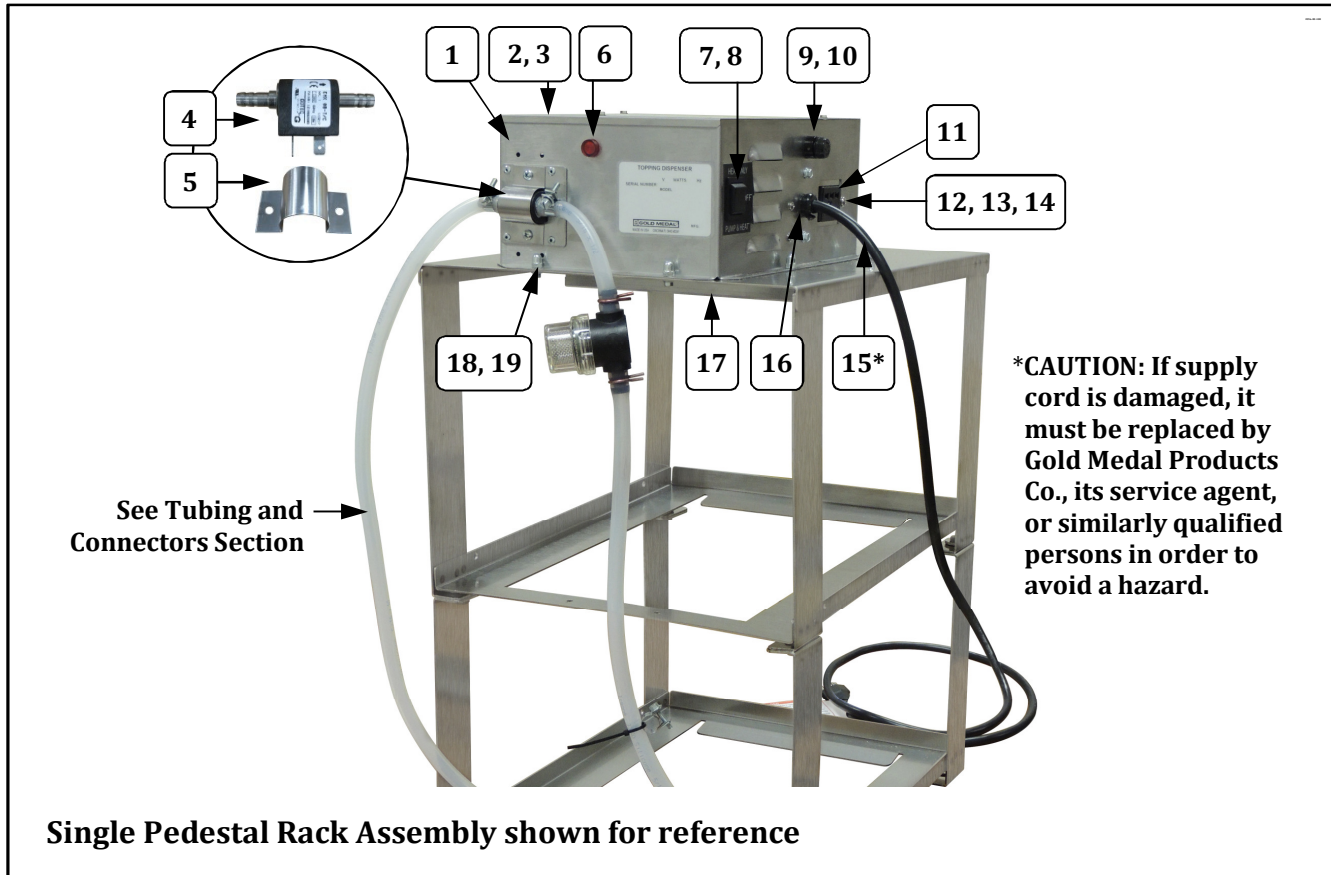


Single Pedestal Rack Assembly shown for reference

Item	Part Description	Part Number		
		2396-00-100 2396-00-110	2396-00-101 2396-00-111	2396-00-140
	COMPLETE RACK ASSEMBLY	77461		
1	CONTROL BOX	79375	79375	79375
2	CONTROL BOX COVER	79377	79377	79377
3	8-32 X 3/8 SLT. HWH M/S (screws to hold cover)	42044	42044	42044
4	B.I.B. BUTTER PUMP	79888	79888	79888
5	RETAINING STRAP	38998	38998	38998
6	RED PILOT LIGHT	41033	41033	41033
7	3 POSITION ROCKER SWITCH	39410	39410	39410
8	SWITCH LABEL	39413	39413	39413
9	FUSE HOLDER	74636	74636	74636
10	1 AMP FUSE	79341	79341	79341
11	SOCKET ASSEMBLY	100299	100299	100299
12	6-32 X 3/8 PHIL PAN M/S (fastens socket assy.)	39000	39000	39000
13	#6 INT. TOOTH L/W 410SS (fastens socket assy.)	39001	39001	39001
14	6-32 M/S NUT 18-8 (fastens socket assy.)	14221	14221	14221
15*	LEAD-IN CORD 15 AMP PLUG	22038	22038	22038
16	R 31-2 STRAIN RELIEF	41735	41735	41735
17	HEAT DEFLECTOR	38995	38995	38995
18	8-32 X 1/4 HX HD WHIZLOCK	42045	42045	42045
19	ACORN NUT #8-32	47702	47702	47702



Rack Assembly - Exterior View

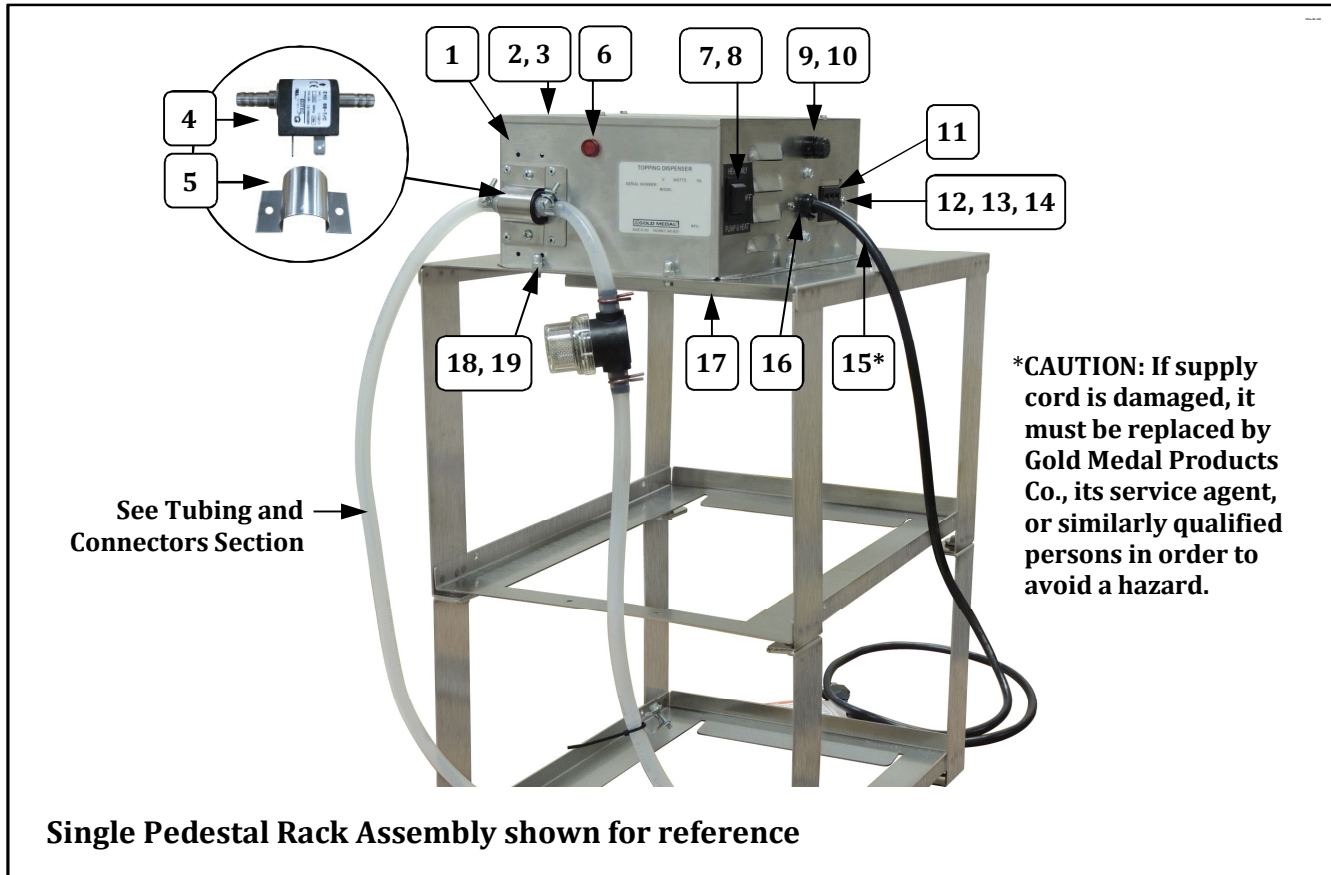


Single Pedestal Rack Assembly shown for reference

Item	Part Description	Part Number		
		2396-00-100 2396-00-110	2396-00-101 2396-00-111	2396-00-140
	COMPLETE RACK ASSEMBLY	77461		
1	CONTROL BOX	79375	79375	79375
2	CONTROL BOX COVER	79377	79377	79377
3	8-32 X 3/8 SLT. HWH M/S (screws to hold cover)	42044	42044	42044
4	B.I.B. BUTTER PUMP	79888	79888	79888
5	RETAINING STRAP	38998	38998	38998
6	RED PILOT LIGHT	41033	41033	41033
7	3 POSITION ROCKER SWITCH	39410	39410	39410
8	SWITCH LABEL	39413	39413	39413
9	FUSE HOLDER	74636	74636	74636
10	1 AMP FUSE	79341	79341	79341
11	SOCKET ASSEMBLY	100299	100299	100299
12	6-32 X 3/8 PHIL PAN M/S (fastens socket assy.)	39000	39000	39000
13	#6 INT. TOOTH L/W 410SS (fastens socket assy.)	39001	39001	39001
14	6-32 M/S NUT 18-8 (fastens socket assy.)	14221	14221	14221
15*	LEAD-IN CORD 15 AMP PLUG	22038	22038	22038
16	R 31-2 STRAIN RELIEF	41735	41735	41735
17	HEAT DEFLECTOR	38995	38995	38995
18	8-32 X 1/4 HX HD WHIZLOCK	42045	42045	42045
19	ACORN NUT #8-32	47702	47702	47702



Rack Assembly - Exterior View



See Tubing and Connectors Section

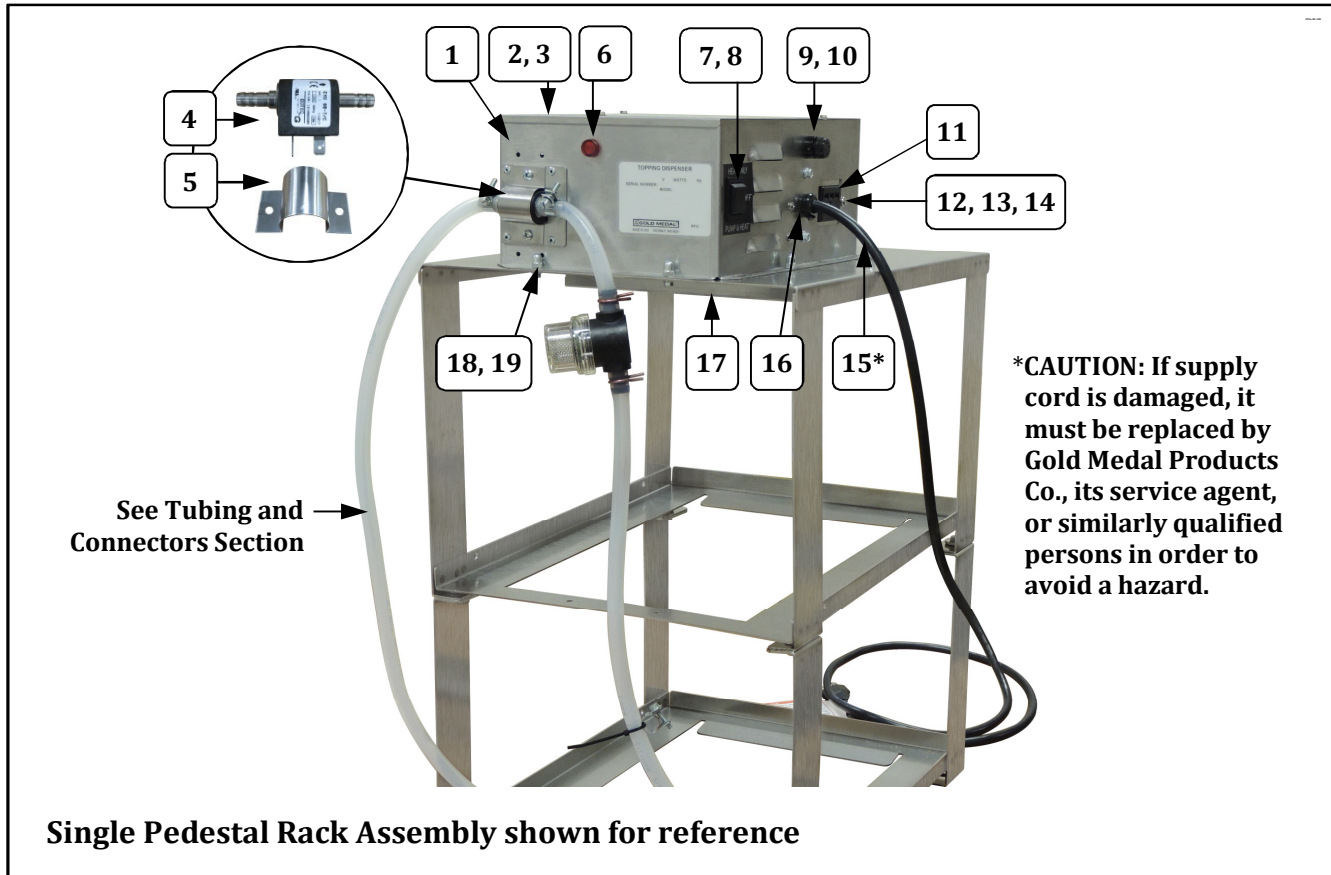
***CAUTION:** If supply cord is damaged, it must be replaced by Gold Medal Products Co., its service agent, or similarly qualified persons in order to avoid a hazard.

Single Pedestal Rack Assembly shown for reference

Item	Part Description	Part Number		
		2396-00-100 2396-00-110	2396-00-101 2396-00-111	2396-00-140
	COMPLETE RACK ASSEMBLY	77461		
1	CONTROL BOX	79375	79375	79375
2	CONTROL BOX COVER	79377	79377	79377
3	8-32 X 3/8 SLT. HWH M/S (screws to hold cover)	42044	42044	42044
4	B.I.B. BUTTER PUMP	79888	79888	79888
5	RETAINING STRAP	38998	38998	38998
6	RED PILOT LIGHT	41033	41033	41033
7	3 POSITION ROCKER SWITCH	39410	39410	39410
8	SWITCH LABEL	39413	39413	39413
9	FUSE HOLDER	74636	74636	74636
10	1 AMP FUSE	79341	79341	79341
11	SOCKET ASSEMBLY	100299	100299	100299
12	6-32 X 3/8 PHIL PAN M/S (fastens socket assy.)	39000	39000	39000
13	#6 INT. TOOTH L/W 410SS (fastens socket assy.)	39001	39001	39001
14	6-32 M/S NUT 18-8 (fastens socket assy.)	14221	14221	14221
15*	LEAD-IN CORD 15 AMP PLUG	22038	22038	22038
16	R 31-2 STRAIN RELIEF	41735	41735	41735
17	HEAT DEFLECTOR	38995	38995	38995
18	8-32 X 1/4 HX HD WHIZLOCK	42045	42045	42045
19	ACORN NUT #8-32	47702	47702	47702



Rack Assembly - Exterior View

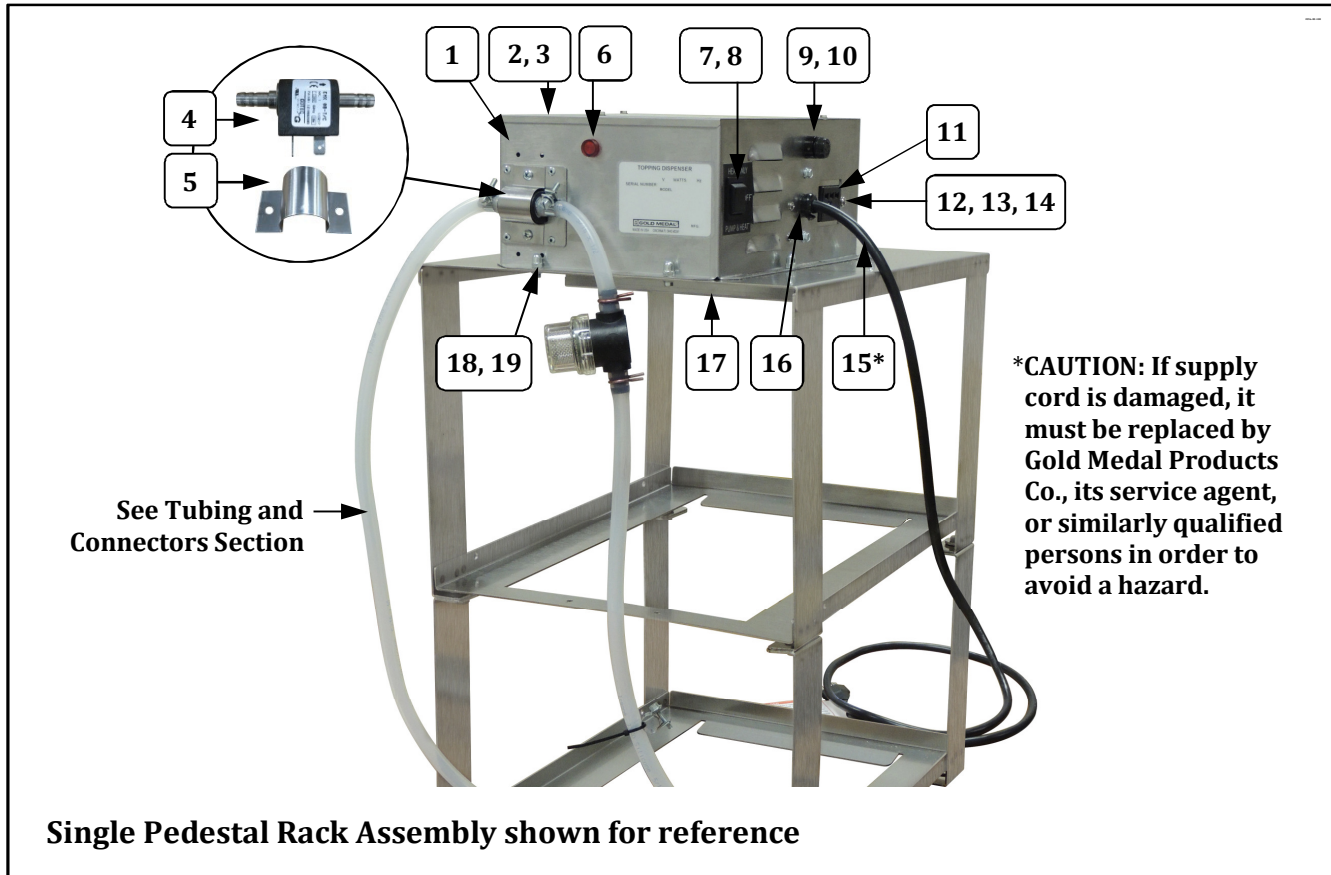


Single Pedestal Rack Assembly shown for reference

Item	Part Description	Part Number		
		2396-00-100 2396-00-110	2396-00-101 2396-00-111	2396-00-140
	COMPLETE RACK ASSEMBLY	77461		
1	CONTROL BOX	79375	79375	79375
2	CONTROL BOX COVER	79377	79377	79377
3	8-32 X 3/8 SLT. HWH M/S (screws to hold cover)	42044	42044	42044
4	B.I.B. BUTTER PUMP	79888	79888	79888
5	RETAINING STRAP	38998	38998	38998
6	RED PILOT LIGHT	41033	41033	41033
7	3 POSITION ROCKER SWITCH	39410	39410	39410
8	SWITCH LABEL	39413	39413	39413
9	FUSE HOLDER	74636	74636	74636
10	1 AMP FUSE	79341	79341	79341
11	SOCKET ASSEMBLY	100299	100299	100299
12	6-32 X 3/8 PHIL PAN M/S (fastens socket assy.)	39000	39000	39000
13	#6 INT. TOOTH L/W 410SS (fastens socket assy.)	39001	39001	39001
14	6-32 M/S NUT 18-8 (fastens socket assy.)	14221	14221	14221
15*	LEAD-IN CORD 15 AMP PLUG	22038	22038	22038
16	R 31-2 STRAIN RELIEF	41735	41735	41735
17	HEAT DEFLECTOR	38995	38995	38995
18	8-32 X 1/4 HX HD WHIZLOCK	42045	42045	42045
19	ACORN NUT #8-32	47702	47702	47702



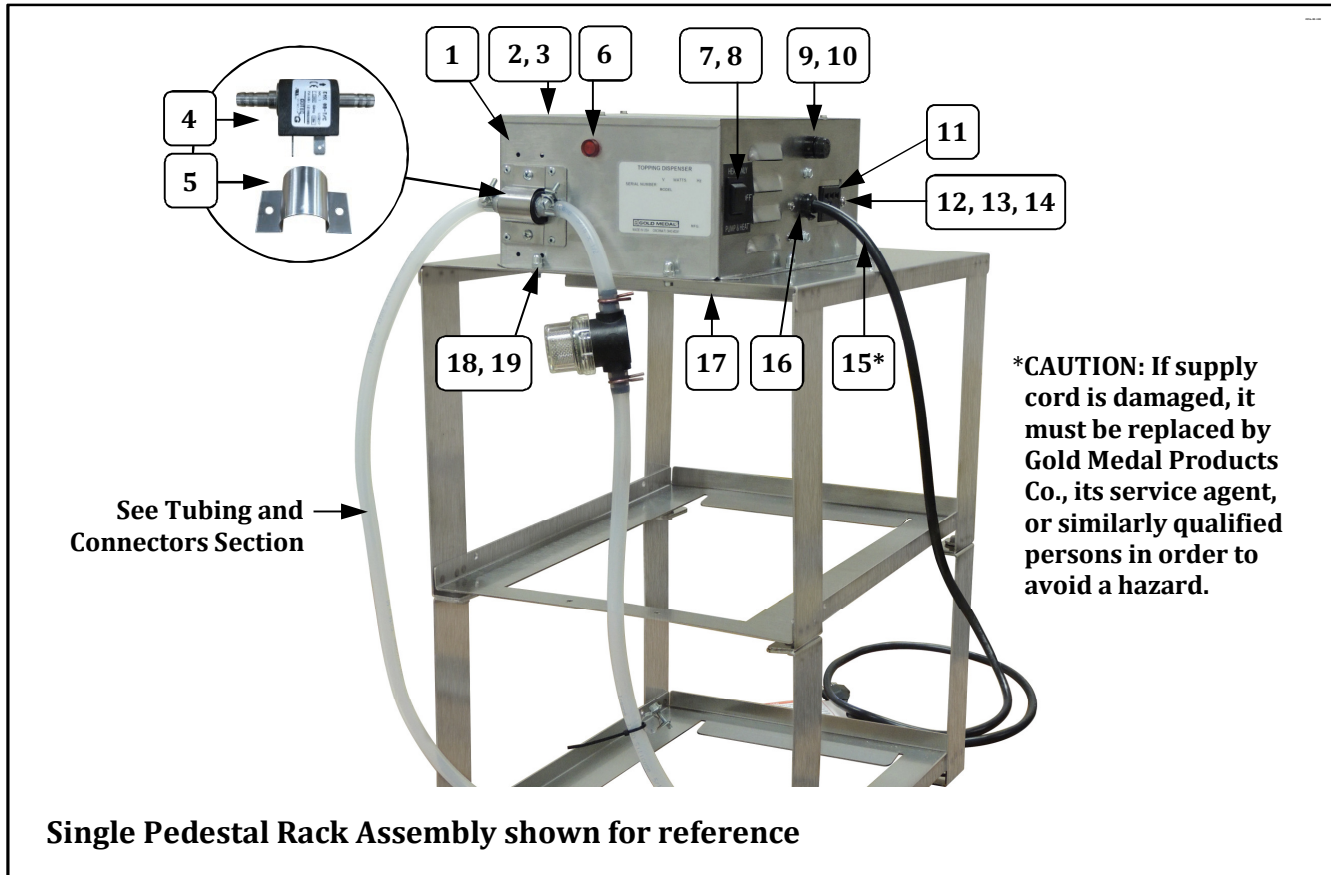
Rack Assembly - Exterior View



Item	Part Description	Part Number		
		2396-00-100 2396-00-110	2396-00-101 2396-00-111	2396-00-140
	COMPLETE RACK ASSEMBLY	77461		
1	CONTROL BOX	79375	79375	79375
2	CONTROL BOX COVER	79377	79377	79377
3	8-32 X 3/8 SLT. HWH M/S (screws to hold cover)	42044	42044	42044
4	B.I.B. BUTTER PUMP	79888	79888	79888
5	RETAINING STRAP	38998	38998	38998
6	RED PILOT LIGHT	41033	41033	41033
7	3 POSITION ROCKER SWITCH	39410	39410	39410
8	SWITCH LABEL	39413	39413	39413
9	FUSE HOLDER	74636	74636	74636
10	1 AMP FUSE	79341	79341	79341
11	SOCKET ASSEMBLY	100299	100299	100299
12	6-32 X 3/8 PHIL PAN M/S (fastens socket assy.)	39000	39000	39000
13	#6 INT. TOOTH L/W 410SS (fastens socket assy.)	39001	39001	39001
14	6-32 M/S NUT 18-8 (fastens socket assy.)	14221	14221	14221
15*	LEAD-IN CORD 15 AMP PLUG	22038	22038	22038
16	R 31-2 STRAIN RELIEF	41735	41735	41735
17	HEAT DEFLECTOR	38995	38995	38995
18	8-32 X 1/4 HX HD WHIZLOCK	42045	42045	42045
19	ACORN NUT #8-32	47702	47702	47702



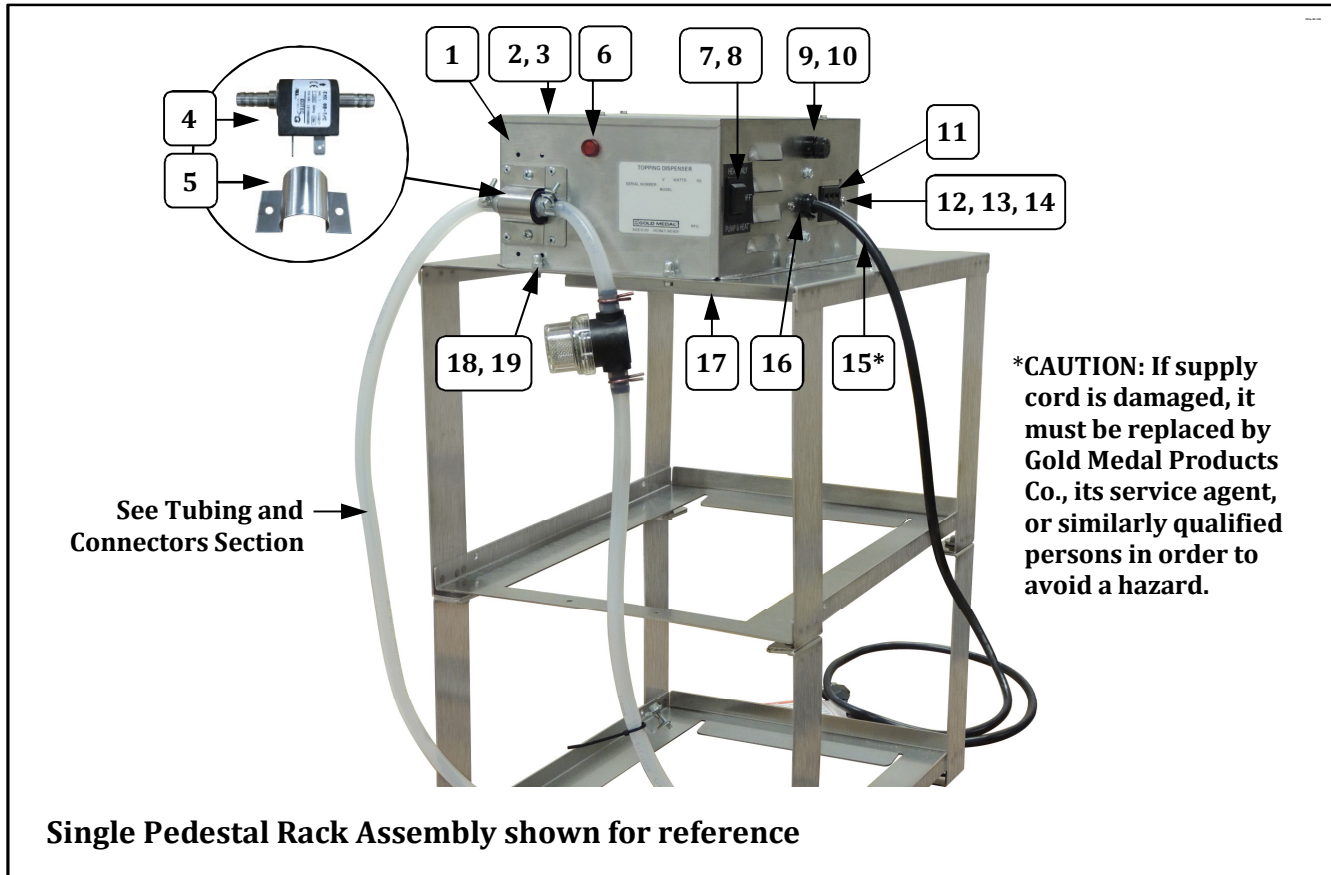
Rack Assembly - Exterior View



Single Pedestal Rack Assembly shown for reference

Item	Part Description	Part Number		
		2396-00-100 2396-00-110	2396-00-101 2396-00-111	2396-00-140
	COMPLETE RACK ASSEMBLY	77461		
1	CONTROL BOX	79375	79375	79375
2	CONTROL BOX COVER	79377	79377	79377
3	8-32 X 3/8 SLT. HWH M/S (screws to hold cover)	42044	42044	42044
4	B.I.B. BUTTER PUMP	79888	79888	79888
5	RETAINING STRAP	38998	38998	38998
6	RED PILOT LIGHT	41033	41033	41033
7	3 POSITION ROCKER SWITCH	39410	39410	39410
8	SWITCH LABEL	39413	39413	39413
9	FUSE HOLDER	74636	74636	74636
10	1 AMP FUSE	79341	79341	79341
11	SOCKET ASSEMBLY	100299	100299	100299
12	6-32 X 3/8 PHIL PAN M/S (fastens socket assy.)	39000	39000	39000
13	#6 INT. TOOTH L/W 410SS (fastens socket assy.)	39001	39001	39001
14	6-32 M/S NUT 18-8 (fastens socket assy.)	14221	14221	14221
15*	LEAD-IN CORD 15 AMP PLUG	22038	22038	22038
16	R 31-2 STRAIN RELIEF	41735	41735	41735
17	HEAT DEFLECTOR	38995	38995	38995
18	8-32 X 1/4 HX HD WHIZLOCK	42045	42045	42045
19	ACORN NUT #8-32	47702	47702	47702

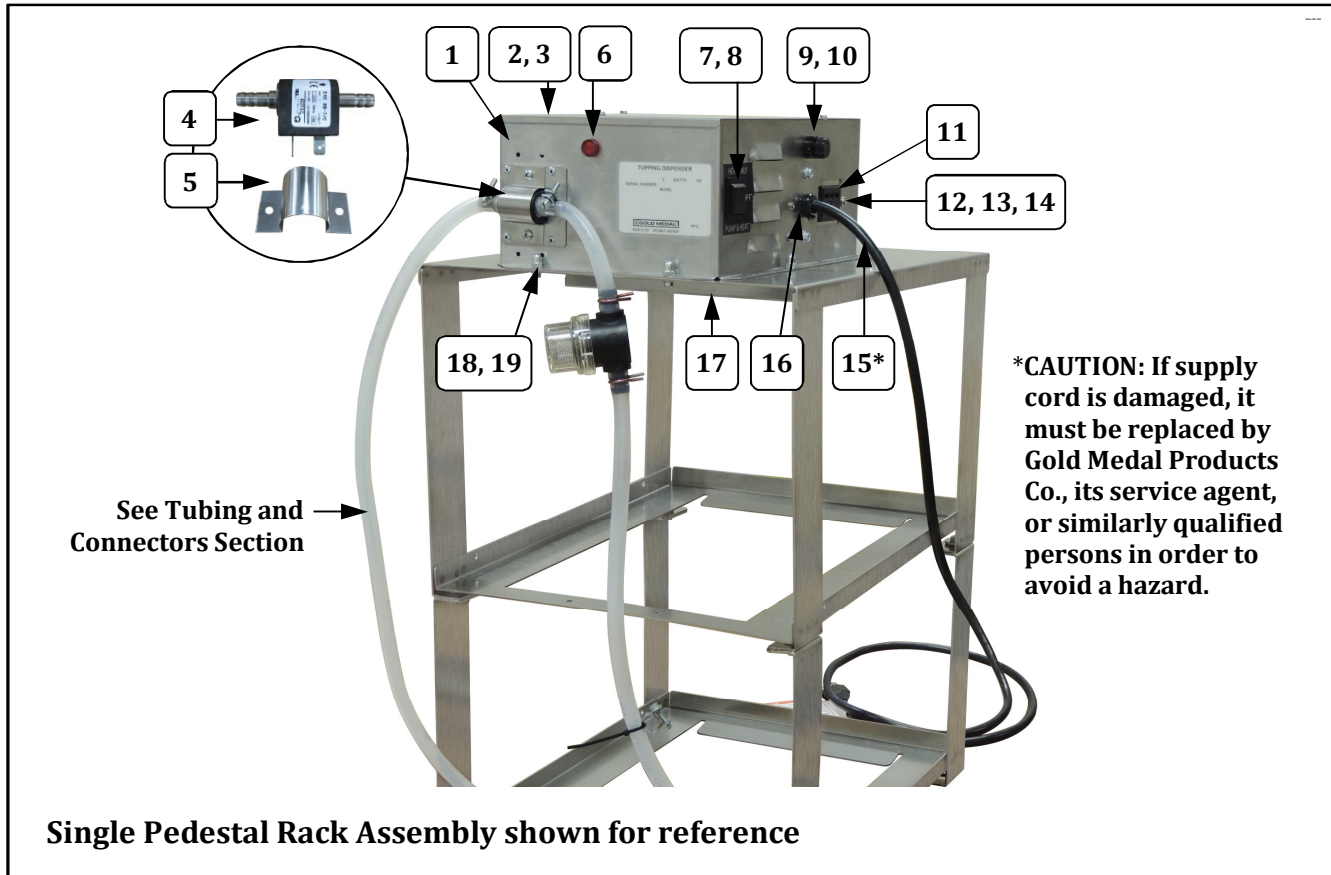
Rack Assembly - Exterior View



Item	Part Description	Part Number		
		2396-00-100 2396-00-110	2396-00-101 2396-00-111	2396-00-140
	COMPLETE RACK ASSEMBLY	77461		
1	CONTROL BOX	79375	79375	79375
2	CONTROL BOX COVER	79377	79377	79377
3	8-32 X 3/8 SLT. HWH M/S (screws to hold cover)	42044	42044	42044
4	B.I.B. BUTTER PUMP	79888	79888	79888
5	RETAINING STRAP	38998	38998	38998
6	RED PILOT LIGHT	41033	41033	41033
7	3 POSITION ROCKER SWITCH	39410	39410	39410
8	SWITCH LABEL	39413	39413	39413
9	FUSE HOLDER	74636	74636	74636
10	1 AMP FUSE	79341	79341	79341
11	SOCKET ASSEMBLY	100299	100299	100299
12	6-32 X 3/8 PHIL PAN M/S (fastens socket assy.)	39000	39000	39000
13	#6 INT. TOOTH L/W 410SS (fastens socket assy.)	39001	39001	39001
14	6-32 M/S NUT 18-8 (fastens socket assy.)	14221	14221	14221
15*	LEAD-IN CORD 15 AMP PLUG	22038	22038	22038
16	R 31-2 STRAIN RELIEF	41735	41735	41735
17	HEAT DEFLECTOR	38995	38995	38995
18	8-32 X 1/4 HX HD WHIZLOCK	42045	42045	42045
19	ACORN NUT #8-32	47702	47702	47702



Rack Assembly - Exterior View

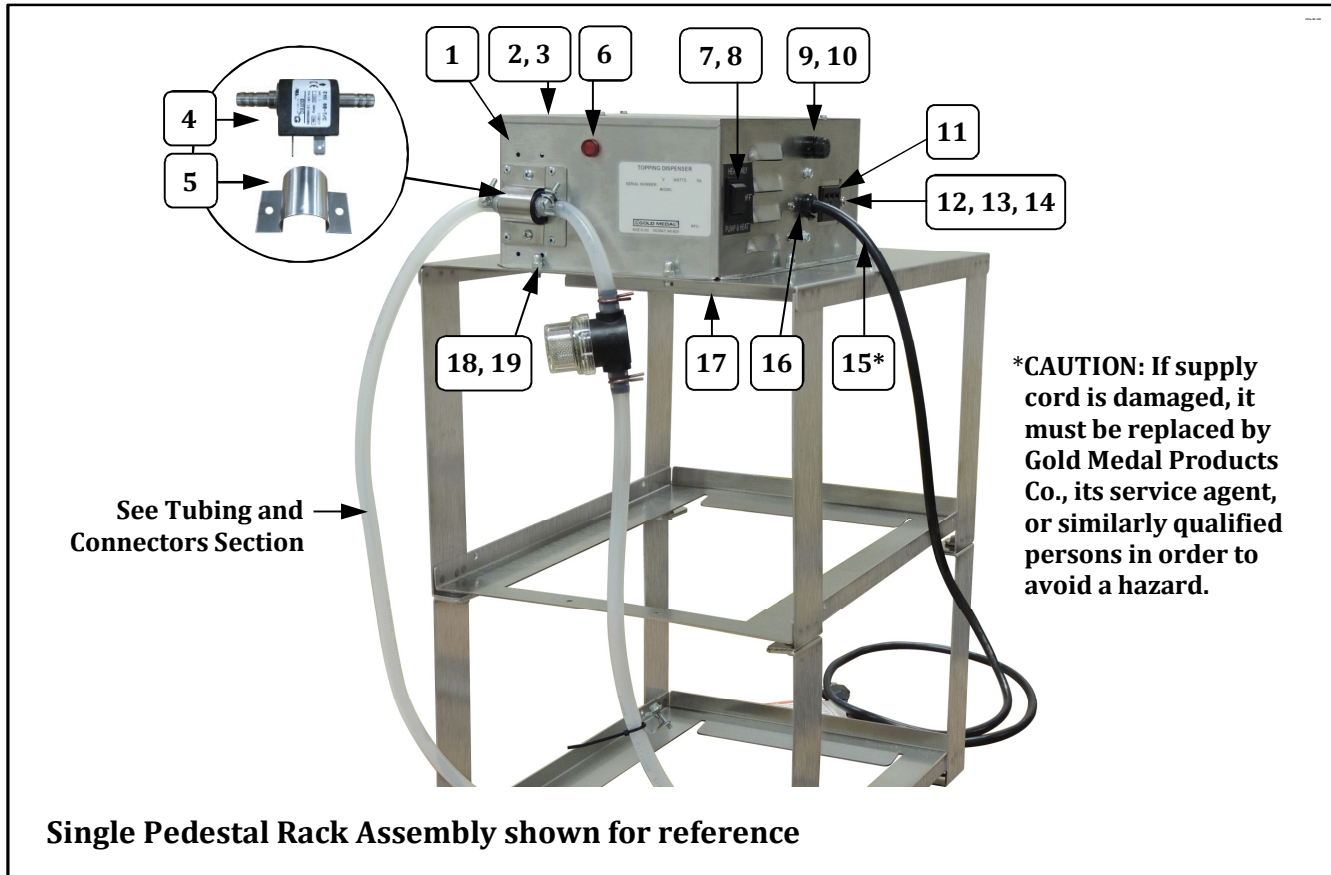


Single Pedestal Rack Assembly shown for reference

Item	Part Description	Part Number		
		2396-00-100 2396-00-110	2396-00-101 2396-00-111	2396-00-140
	COMPLETE RACK ASSEMBLY	77461		
1	CONTROL BOX	79375	79375	79375
2	CONTROL BOX COVER	79377	79377	79377
3	8-32 X 3/8 SLT. HWH M/S (screws to hold cover)	42044	42044	42044
4	B.I.B. BUTTER PUMP	79888	79888	79888
5	RETAINING STRAP	38998	38998	38998
6	RED PILOT LIGHT	41033	41033	41033
7	3 POSITION ROCKER SWITCH	39410	39410	39410
8	SWITCH LABEL	39413	39413	39413
9	FUSE HOLDER	74636	74636	74636
10	1 AMP FUSE	79341	79341	79341
11	SOCKET ASSEMBLY	100299	100299	100299
12	6-32 X 3/8 PHIL PAN M/S (fastens socket assy.)	39000	39000	39000
13	#6 INT. TOOTH L/W 410SS (fastens socket assy.)	39001	39001	39001
14	6-32 M/S NUT 18-8 (fastens socket assy.)	14221	14221	14221
15*	LEAD-IN CORD 15 AMP PLUG	22038	22038	22038
16	R 31-2 STRAIN RELIEF	41735	41735	41735
17	HEAT DEFLECTOR	38995	38995	38995
18	8-32 X 1/4 HX HD WHIZLOCK	42045	42045	42045
19	ACORN NUT #8-32	47702	47702	47702



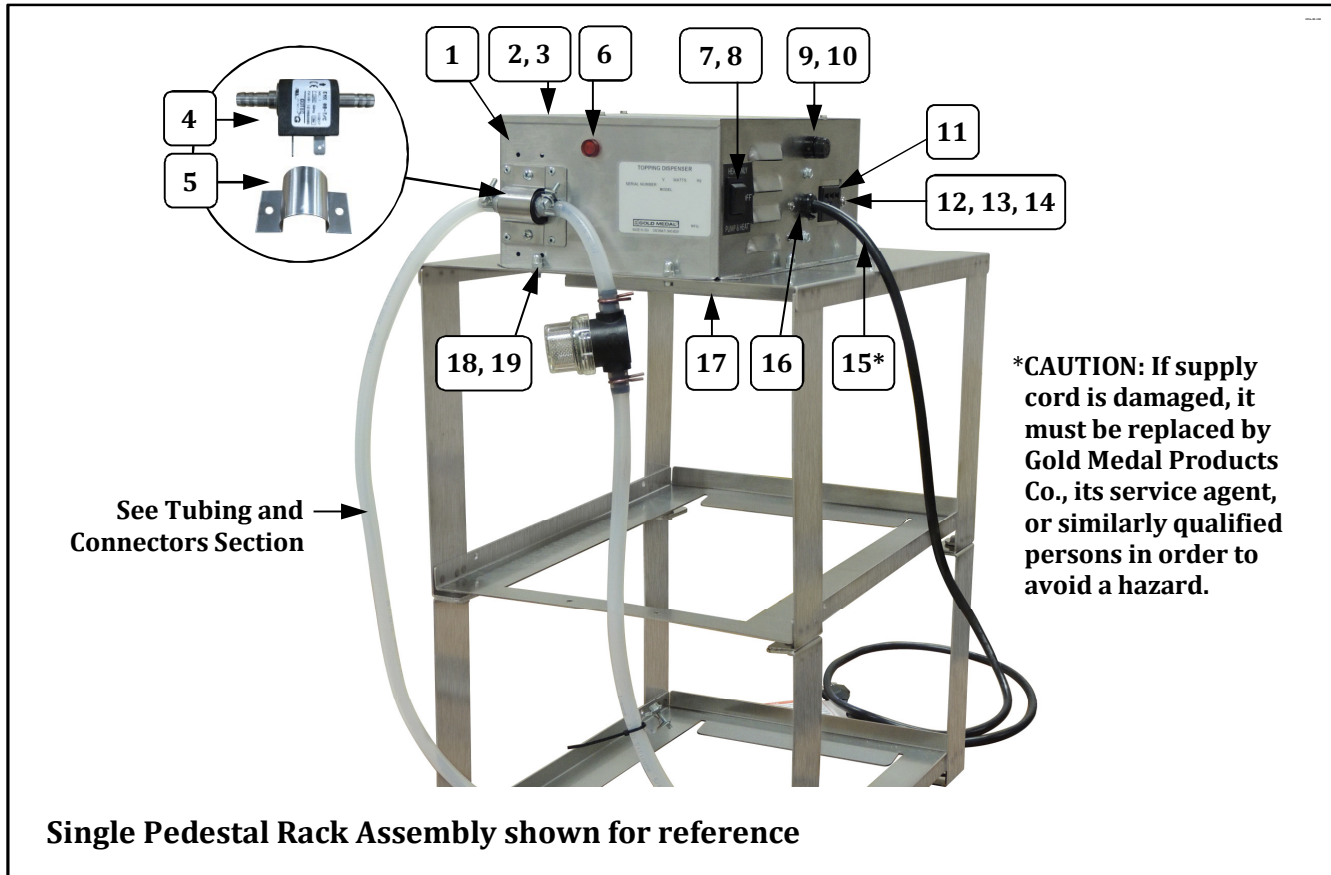
Rack Assembly - Exterior View



Item	Part Description	Part Number		
		2396-00-100 2396-00-110	2396-00-101 2396-00-111	2396-00-140
	COMPLETE RACK ASSEMBLY	77461		
1	CONTROL BOX	79375	79375	79375
2	CONTROL BOX COVER	79377	79377	79377
3	8-32 X 3/8 SLT. HWH M/S (screws to hold cover)	42044	42044	42044
4	B.I.B. BUTTER PUMP	79888	79888	79888
5	RETAINING STRAP	38998	38998	38998
6	RED PILOT LIGHT	41033	41033	41033
7	3 POSITION ROCKER SWITCH	39410	39410	39410
8	SWITCH LABEL	39413	39413	39413
9	FUSE HOLDER	74636	74636	74636
10	1 AMP FUSE	79341	79341	79341
11	SOCKET ASSEMBLY	100299	100299	100299
12	6-32 X 3/8 PHIL PAN M/S (fastens socket assy.)	39000	39000	39000
13	#6 INT. TOOTH L/W 410SS (fastens socket assy.)	39001	39001	39001
14	6-32 M/S NUT 18-8 (fastens socket assy.)	14221	14221	14221
15*	LEAD-IN CORD 15 AMP PLUG	22038	22038	22038
16	R 31-2 STRAIN RELIEF	41735	41735	41735
17	HEAT DEFLECTOR	38995	38995	38995
18	8-32 X 1/4 HX HD WHIZLOCK	42045	42045	42045
19	ACORN NUT #8-32	47702	47702	47702



Rack Assembly - Exterior View

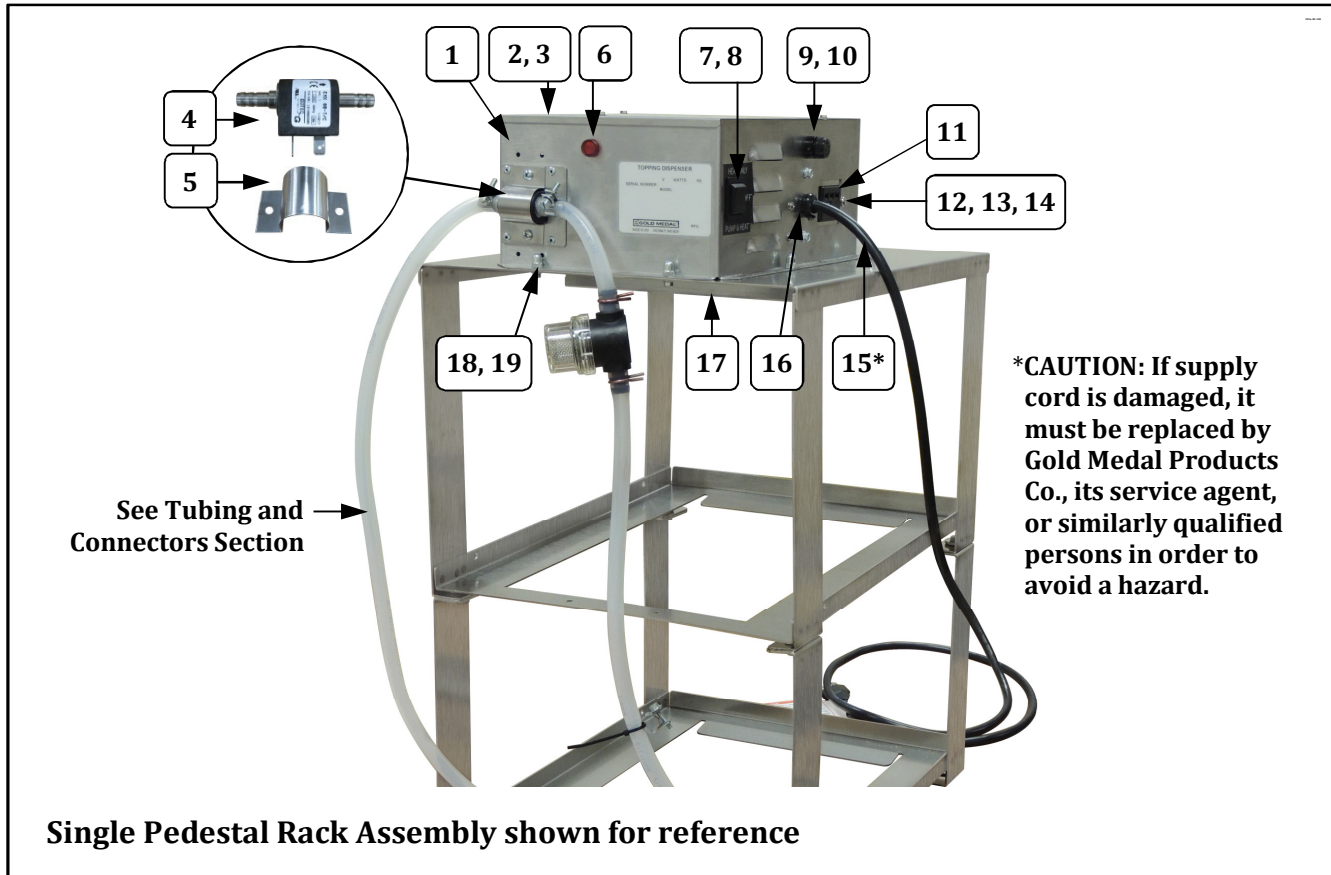


Single Pedestal Rack Assembly shown for reference

Item	Part Description	Part Number		
		2396-00-100 2396-00-110	2396-00-101 2396-00-111	2396-00-140
	COMPLETE RACK ASSEMBLY	77461		
1	CONTROL BOX	79375	79375	79375
2	CONTROL BOX COVER	79377	79377	79377
3	8-32 X 3/8 SLT. HWH M/S (screws to hold cover)	42044	42044	42044
4	B.I.B. BUTTER PUMP	79888	79888	79888
5	RETAINING STRAP	38998	38998	38998
6	RED PILOT LIGHT	41033	41033	41033
7	3 POSITION ROCKER SWITCH	39410	39410	39410
8	SWITCH LABEL	39413	39413	39413
9	FUSE HOLDER	74636	74636	74636
10	1 AMP FUSE	79341	79341	79341
11	SOCKET ASSEMBLY	100299	100299	100299
12	6-32 X 3/8 PHIL PAN M/S (fastens socket assy.)	39000	39000	39000
13	#6 INT. TOOTH L/W 410SS (fastens socket assy.)	39001	39001	39001
14	6-32 M/S NUT 18-8 (fastens socket assy.)	14221	14221	14221
15*	LEAD-IN CORD 15 AMP PLUG	22038	22038	22038
16	R 31-2 STRAIN RELIEF	41735	41735	41735
17	HEAT DEFLECTOR	38995	38995	38995
18	8-32 X 1/4 HX HD WHIZLOCK	42045	42045	42045
19	ACORN NUT #8-32	47702	47702	47702

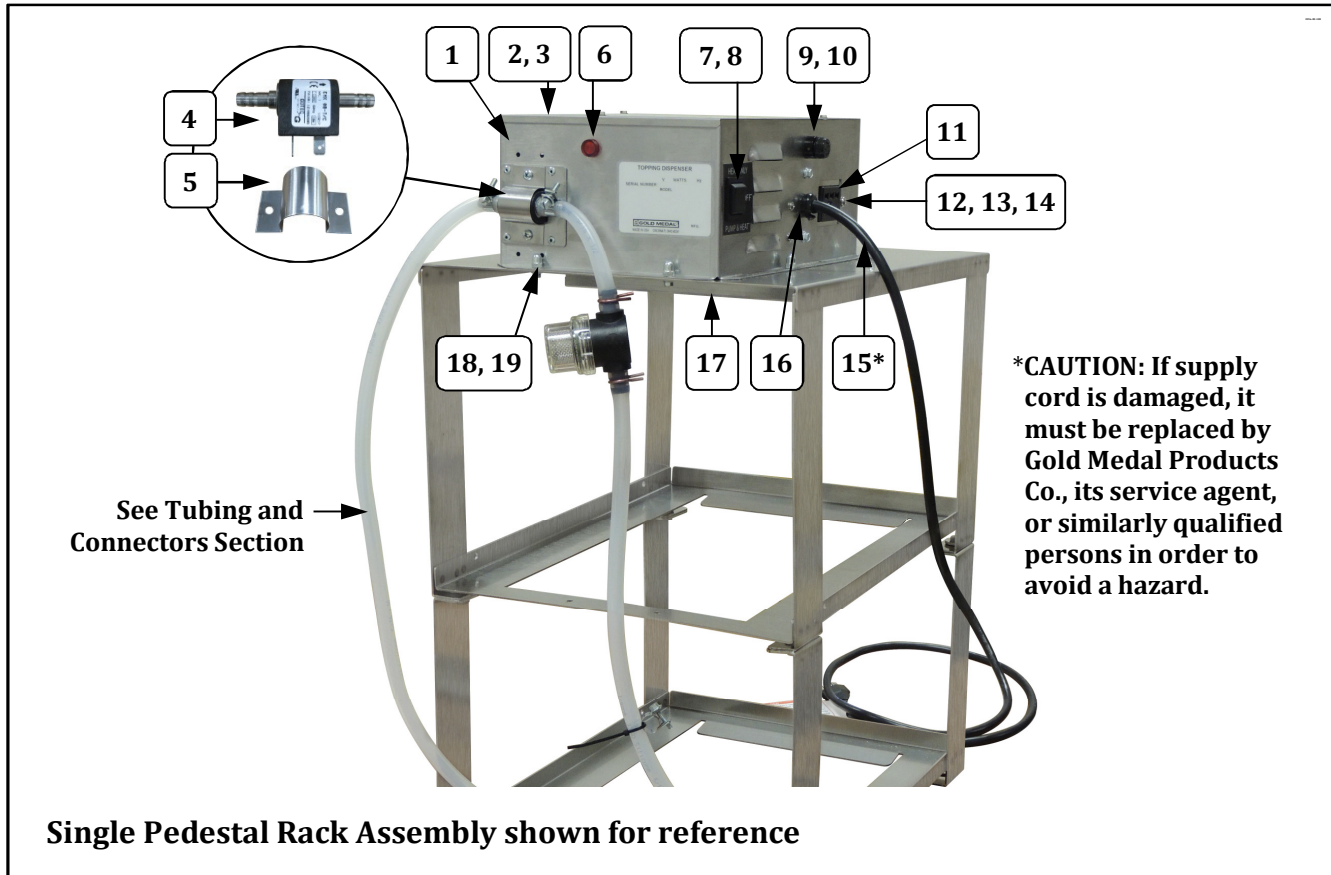


Rack Assembly - Exterior View



Item	Part Description	Part Number		
		2396-00-100 2396-00-110	2396-00-101 2396-00-111	2396-00-140
	COMPLETE RACK ASSEMBLY	77461		
1	CONTROL BOX	79375	79375	79375
2	CONTROL BOX COVER	79377	79377	79377
3	8-32 X 3/8 SLT. HWH M/S (screws to hold cover)	42044	42044	42044
4	B.I.B. BUTTER PUMP	79888	79888	79888
5	RETAINING STRAP	38998	38998	38998
6	RED PILOT LIGHT	41033	41033	41033
7	3 POSITION ROCKER SWITCH	39410	39410	39410
8	SWITCH LABEL	39413	39413	39413
9	FUSE HOLDER	74636	74636	74636
10	1 AMP FUSE	79341	79341	79341
11	SOCKET ASSEMBLY	100299	100299	100299
12	6-32 X 3/8 PHIL PAN M/S (fastens socket assy.)	39000	39000	39000
13	#6 INT. TOOTH L/W 410SS (fastens socket assy.)	39001	39001	39001
14	6-32 M/S NUT 18-8 (fastens socket assy.)	14221	14221	14221
15*	LEAD-IN CORD 15 AMP PLUG	22038	22038	22038
16	R 31-2 STRAIN RELIEF	41735	41735	41735
17	HEAT DEFLECTOR	38995	38995	38995
18	8-32 X 1/4 HX HD WHIZLOCK	42045	42045	42045
19	ACORN NUT #8-32	47702	47702	47702

Rack Assembly - Exterior View

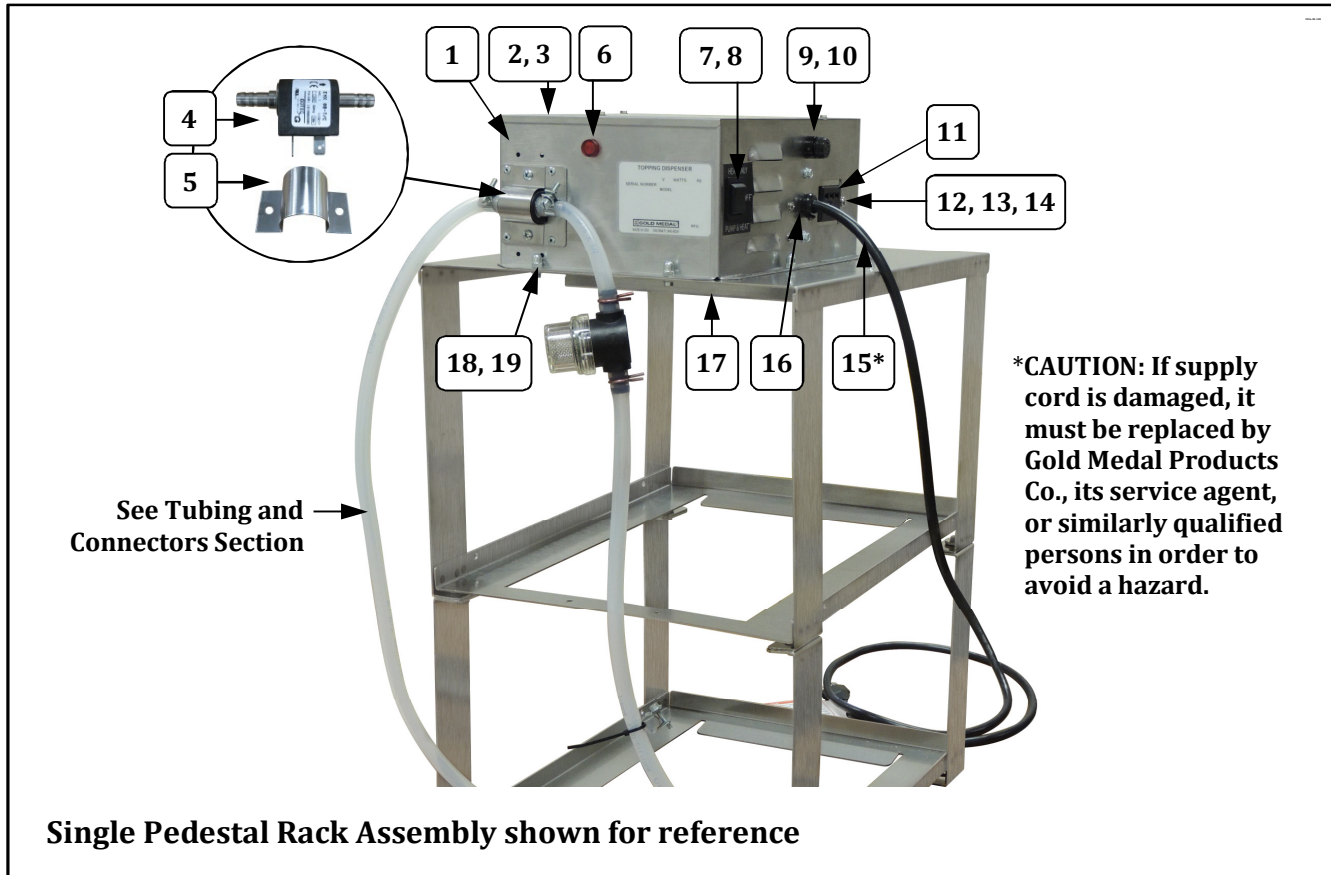


Single Pedestal Rack Assembly shown for reference

Item	Part Description	Part Number		
		2396-00-100 2396-00-110	2396-00-101 2396-00-111	2396-00-140
	COMPLETE RACK ASSEMBLY	77461		
1	CONTROL BOX	79375	79375	79375
2	CONTROL BOX COVER	79377	79377	79377
3	8-32 X 3/8 SLT. HWH M/S (screws to hold cover)	42044	42044	42044
4	B.I.B. BUTTER PUMP	79888	79888	79888
5	RETAINING STRAP	38998	38998	38998
6	RED PILOT LIGHT	41033	41033	41033
7	3 POSITION ROCKER SWITCH	39410	39410	39410
8	SWITCH LABEL	39413	39413	39413
9	FUSE HOLDER	74636	74636	74636
10	1 AMP FUSE	79341	79341	79341
11	SOCKET ASSEMBLY	100299	100299	100299
12	6-32 X 3/8 PHIL PAN M/S (fastens socket assy.)	39000	39000	39000
13	#6 INT. TOOTH L/W 410SS (fastens socket assy.)	39001	39001	39001
14	6-32 M/S NUT 18-8 (fastens socket assy.)	14221	14221	14221
15*	LEAD-IN CORD 15 AMP PLUG	22038	22038	22038
16	R 31-2 STRAIN RELIEF	41735	41735	41735
17	HEAT DEFLECTOR	38995	38995	38995
18	8-32 X 1/4 HX HD WHIZLOCK	42045	42045	42045
19	ACORN NUT #8-32	47702	47702	47702



Rack Assembly - Exterior View

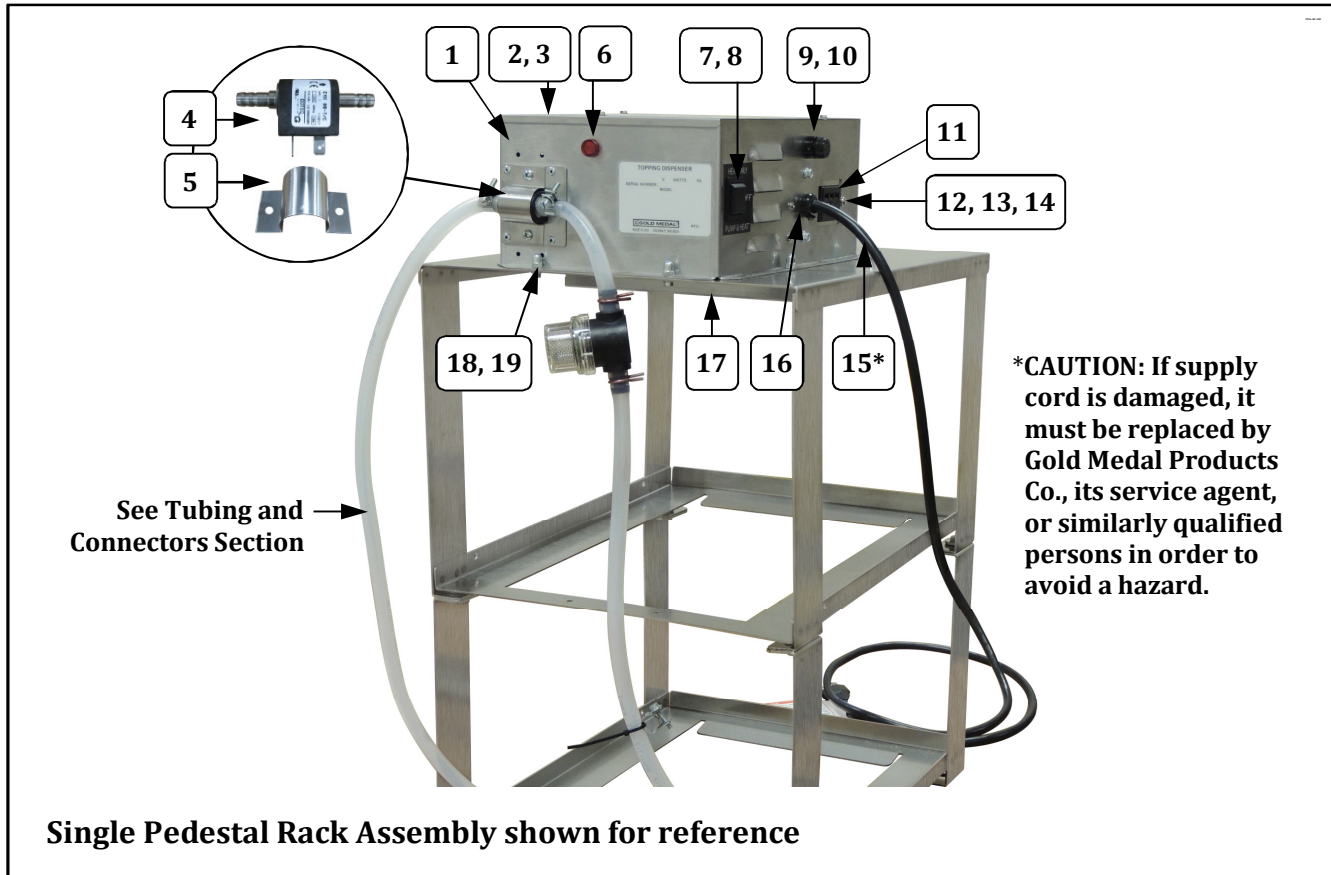


Single Pedestal Rack Assembly shown for reference

Item	Part Description	Part Number		
		2396-00-100 2396-00-110	2396-00-101 2396-00-111	2396-00-140
	COMPLETE RACK ASSEMBLY	77461		
1	CONTROL BOX	79375	79375	79375
2	CONTROL BOX COVER	79377	79377	79377
3	8-32 X 3/8 SLT. HWH M/S (screws to hold cover)	42044	42044	42044
4	B.I.B. BUTTER PUMP	79888	79888	79888
5	RETAINING STRAP	38998	38998	38998
6	RED PILOT LIGHT	41033	41033	41033
7	3 POSITION ROCKER SWITCH	39410	39410	39410
8	SWITCH LABEL	39413	39413	39413
9	FUSE HOLDER	74636	74636	74636
10	1 AMP FUSE	79341	79341	79341
11	SOCKET ASSEMBLY	100299	100299	100299
12	6-32 X 3/8 PHIL PAN M/S (fastens socket assy.)	39000	39000	39000
13	#6 INT. TOOTH L/W 410SS (fastens socket assy.)	39001	39001	39001
14	6-32 M/S NUT 18-8 (fastens socket assy.)	14221	14221	14221
15*	LEAD-IN CORD 15 AMP PLUG	22038	22038	22038
16	R 31-2 STRAIN RELIEF	41735	41735	41735
17	HEAT DEFLECTOR	38995	38995	38995
18	8-32 X 1/4 HX HD WHIZLOCK	42045	42045	42045
19	ACORN NUT #8-32	47702	47702	47702



Rack Assembly - Exterior View

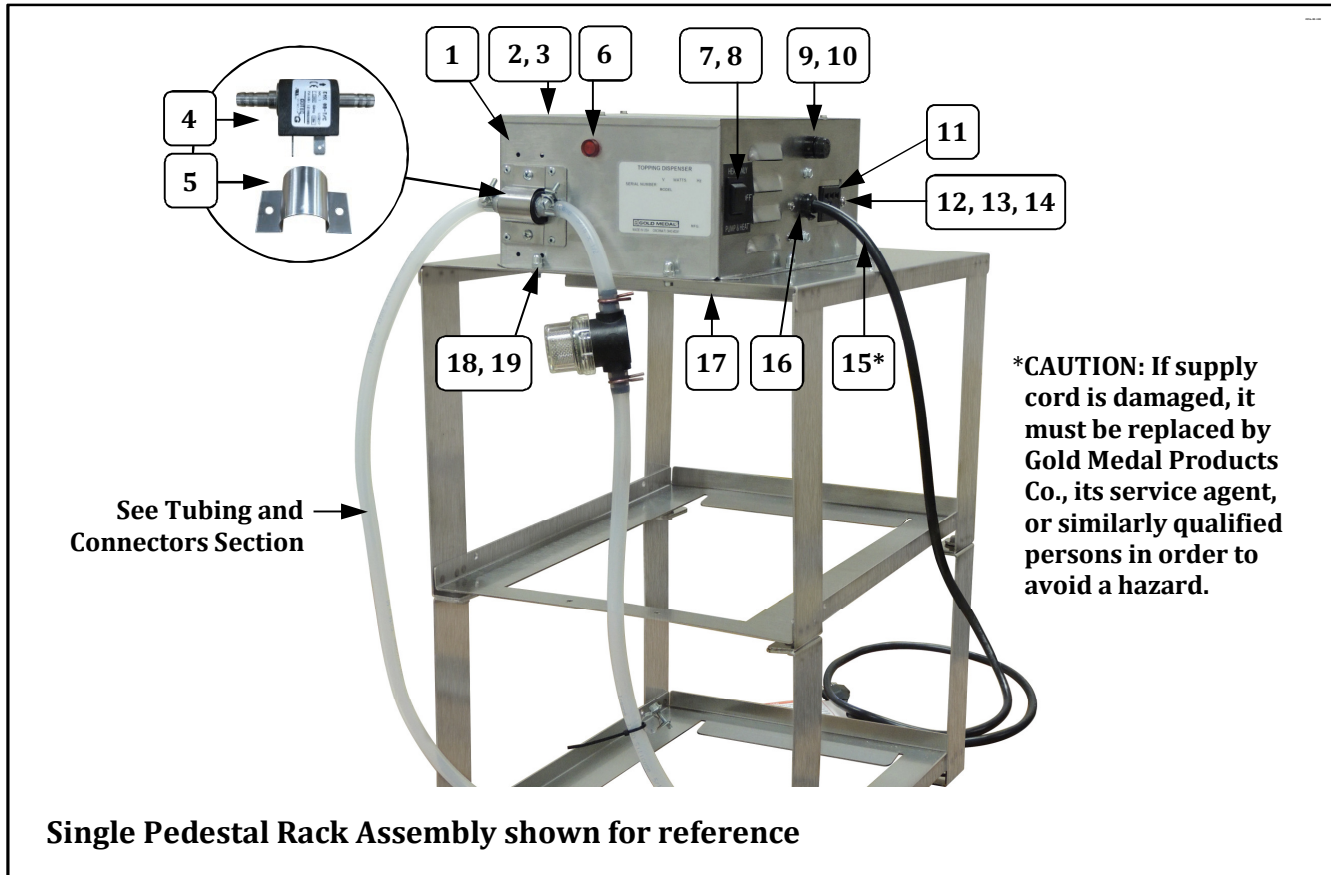


Single Pedestal Rack Assembly shown for reference

Item	Part Description	Part Number		
		2396-00-100 2396-00-110	2396-00-101 2396-00-111	2396-00-140
	COMPLETE RACK ASSEMBLY	77461		
1	CONTROL BOX	79375	79375	79375
2	CONTROL BOX COVER	79377	79377	79377
3	8-32 X 3/8 SLT. HWH M/S (screws to hold cover)	42044	42044	42044
4	B.I.B. BUTTER PUMP	79888	79888	79888
5	RETAINING STRAP	38998	38998	38998
6	RED PILOT LIGHT	41033	41033	41033
7	3 POSITION ROCKER SWITCH	39410	39410	39410
8	SWITCH LABEL	39413	39413	39413
9	FUSE HOLDER	74636	74636	74636
10	1 AMP FUSE	79341	79341	79341
11	SOCKET ASSEMBLY	100299	100299	100299
12	6-32 X 3/8 PHIL PAN M/S (fastens socket assy.)	39000	39000	39000
13	#6 INT. TOOTH L/W 410SS (fastens socket assy.)	39001	39001	39001
14	6-32 M/S NUT 18-8 (fastens socket assy.)	14221	14221	14221
15*	LEAD-IN CORD 15 AMP PLUG	22038	22038	22038
16	R 31-2 STRAIN RELIEF	41735	41735	41735
17	HEAT DEFLECTOR	38995	38995	38995
18	8-32 X 1/4 HX HD WHIZLOCK	42045	42045	42045
19	ACORN NUT #8-32	47702	47702	47702



Rack Assembly - Exterior View

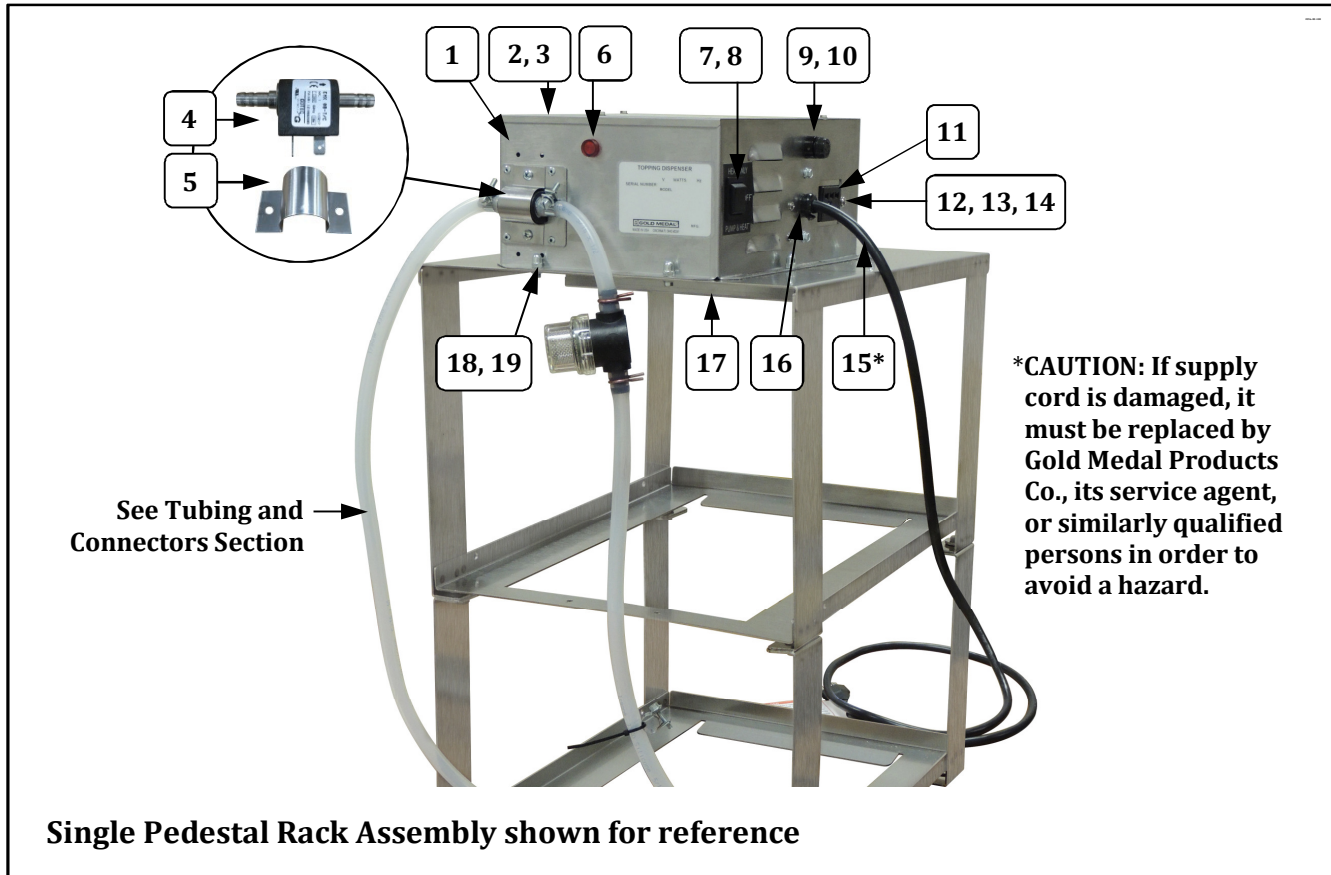


Single Pedestal Rack Assembly shown for reference

Item	Part Description	Part Number		
		2396-00-100 2396-00-110	2396-00-101 2396-00-111	2396-00-140
	COMPLETE RACK ASSEMBLY	77461		
1	CONTROL BOX	79375	79375	79375
2	CONTROL BOX COVER	79377	79377	79377
3	8-32 X 3/8 SLT. HWH M/S (screws to hold cover)	42044	42044	42044
4	B.I.B. BUTTER PUMP	79888	79888	79888
5	RETAINING STRAP	38998	38998	38998
6	RED PILOT LIGHT	41033	41033	41033
7	3 POSITION ROCKER SWITCH	39410	39410	39410
8	SWITCH LABEL	39413	39413	39413
9	FUSE HOLDER	74636	74636	74636
10	1 AMP FUSE	79341	79341	79341
11	SOCKET ASSEMBLY	100299	100299	100299
12	6-32 X 3/8 PHIL PAN M/S (fastens socket assy.)	39000	39000	39000
13	#6 INT. TOOTH L/W 410SS (fastens socket assy.)	39001	39001	39001
14	6-32 M/S NUT 18-8 (fastens socket assy.)	14221	14221	14221
15*	LEAD-IN CORD 15 AMP PLUG	22038	22038	22038
16	R 31-2 STRAIN RELIEF	41735	41735	41735
17	HEAT DEFLECTOR	38995	38995	38995
18	8-32 X 1/4 HX HD WHIZLOCK	42045	42045	42045
19	ACORN NUT #8-32	47702	47702	47702



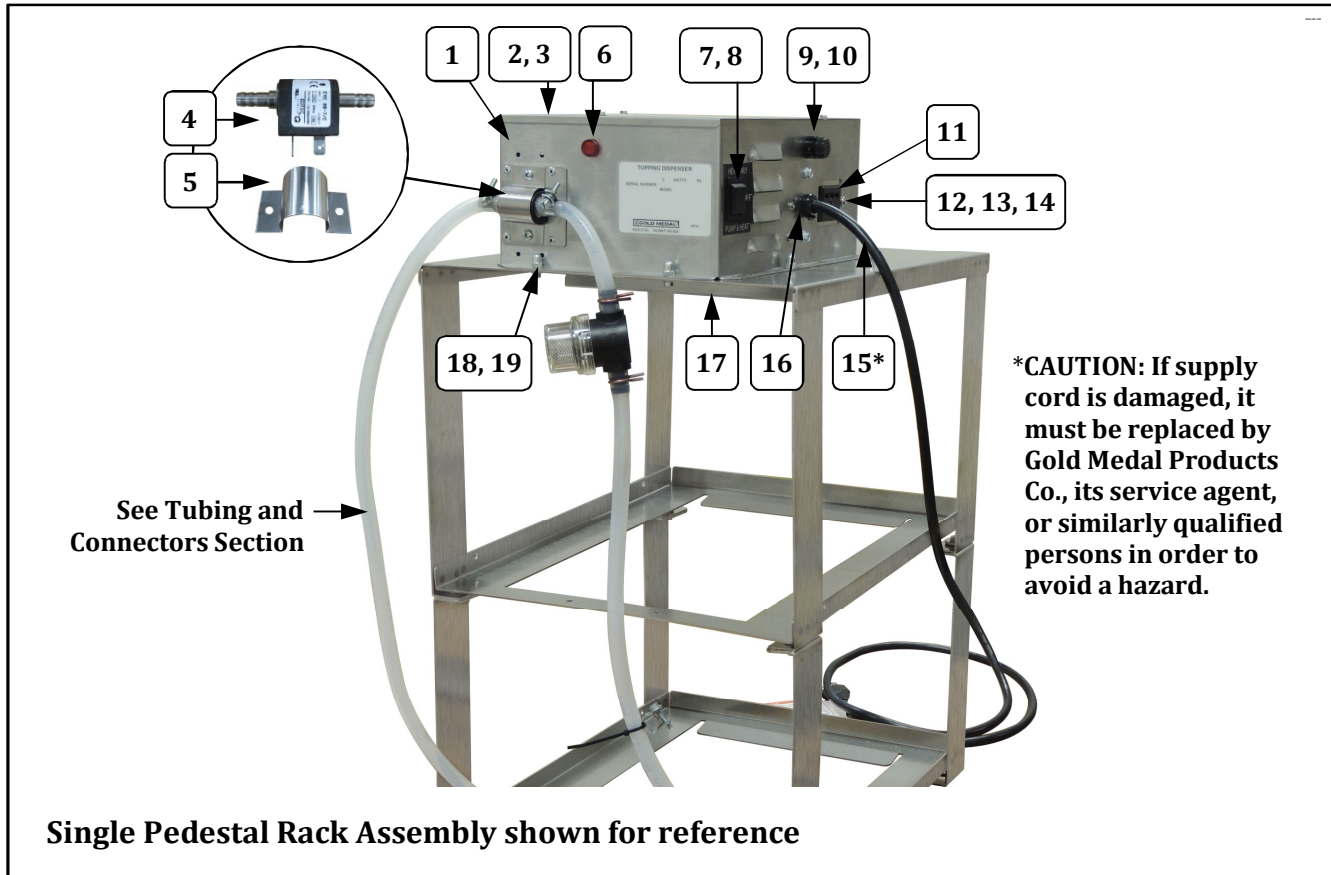
Rack Assembly - Exterior View



Item	Part Description	Part Number		
		2396-00-100 2396-00-110	2396-00-101 2396-00-111	2396-00-140
	COMPLETE RACK ASSEMBLY	77461		
1	CONTROL BOX	79375	79375	79375
2	CONTROL BOX COVER	79377	79377	79377
3	8-32 X 3/8 SLT. HWH M/S (screws to hold cover)	42044	42044	42044
4	B.I.B. BUTTER PUMP	79888	79888	79888
5	RETAINING STRAP	38998	38998	38998
6	RED PILOT LIGHT	41033	41033	41033
7	3 POSITION ROCKER SWITCH	39410	39410	39410
8	SWITCH LABEL	39413	39413	39413
9	FUSE HOLDER	74636	74636	74636
10	1 AMP FUSE	79341	79341	79341
11	SOCKET ASSEMBLY	100299	100299	100299
12	6-32 X 3/8 PHIL PAN M/S (fastens socket assy.)	39000	39000	39000
13	#6 INT. TOOTH L/W 410SS (fastens socket assy.)	39001	39001	39001
14	6-32 M/S NUT 18-8 (fastens socket assy.)	14221	14221	14221
15*	LEAD-IN CORD 15 AMP PLUG	22038	22038	22038
16	R 31-2 STRAIN RELIEF	41735	41735	41735
17	HEAT DEFLECTOR	38995	38995	38995
18	8-32 X 1/4 HX HD WHIZLOCK	42045	42045	42045
19	ACORN NUT #8-32	47702	47702	47702



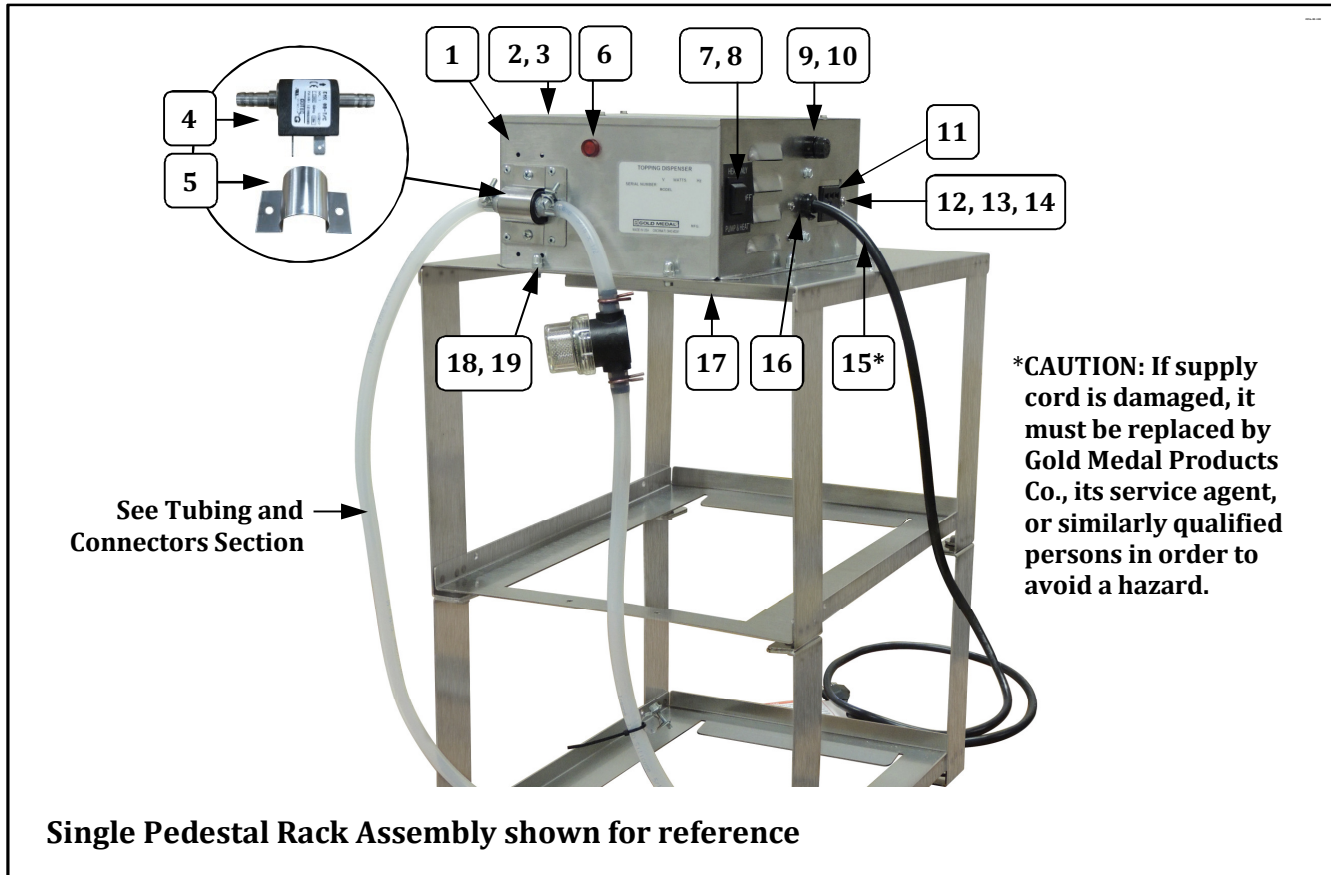
Rack Assembly - Exterior View



Item	Part Description	Part Number		
		2396-00-100 2396-00-110	2396-00-101 2396-00-111	2396-00-140
	COMPLETE RACK ASSEMBLY	77461		
1	CONTROL BOX	79375	79375	79375
2	CONTROL BOX COVER	79377	79377	79377
3	8-32 X 3/8 SLT. HWH M/S (screws to hold cover)	42044	42044	42044
4	B.I.B. BUTTER PUMP	79888	79888	79888
5	RETAINING STRAP	38998	38998	38998
6	RED PILOT LIGHT	41033	41033	41033
7	3 POSITION ROCKER SWITCH	39410	39410	39410
8	SWITCH LABEL	39413	39413	39413
9	FUSE HOLDER	74636	74636	74636
10	1 AMP FUSE	79341	79341	79341
11	SOCKET ASSEMBLY	100299	100299	100299
12	6-32 X 3/8 PHIL PAN M/S (fastens socket assy.)	39000	39000	39000
13	#6 INT. TOOTH L/W 410SS (fastens socket assy.)	39001	39001	39001
14	6-32 M/S NUT 18-8 (fastens socket assy.)	14221	14221	14221
15*	LEAD-IN CORD 15 AMP PLUG	22038	22038	22038
16	R 31-2 STRAIN RELIEF	41735	41735	41735
17	HEAT DEFLECTOR	38995	38995	38995
18	8-32 X 1/4 HX HD WHIZLOCK	42045	42045	42045
19	ACORN NUT #8-32	47702	47702	47702



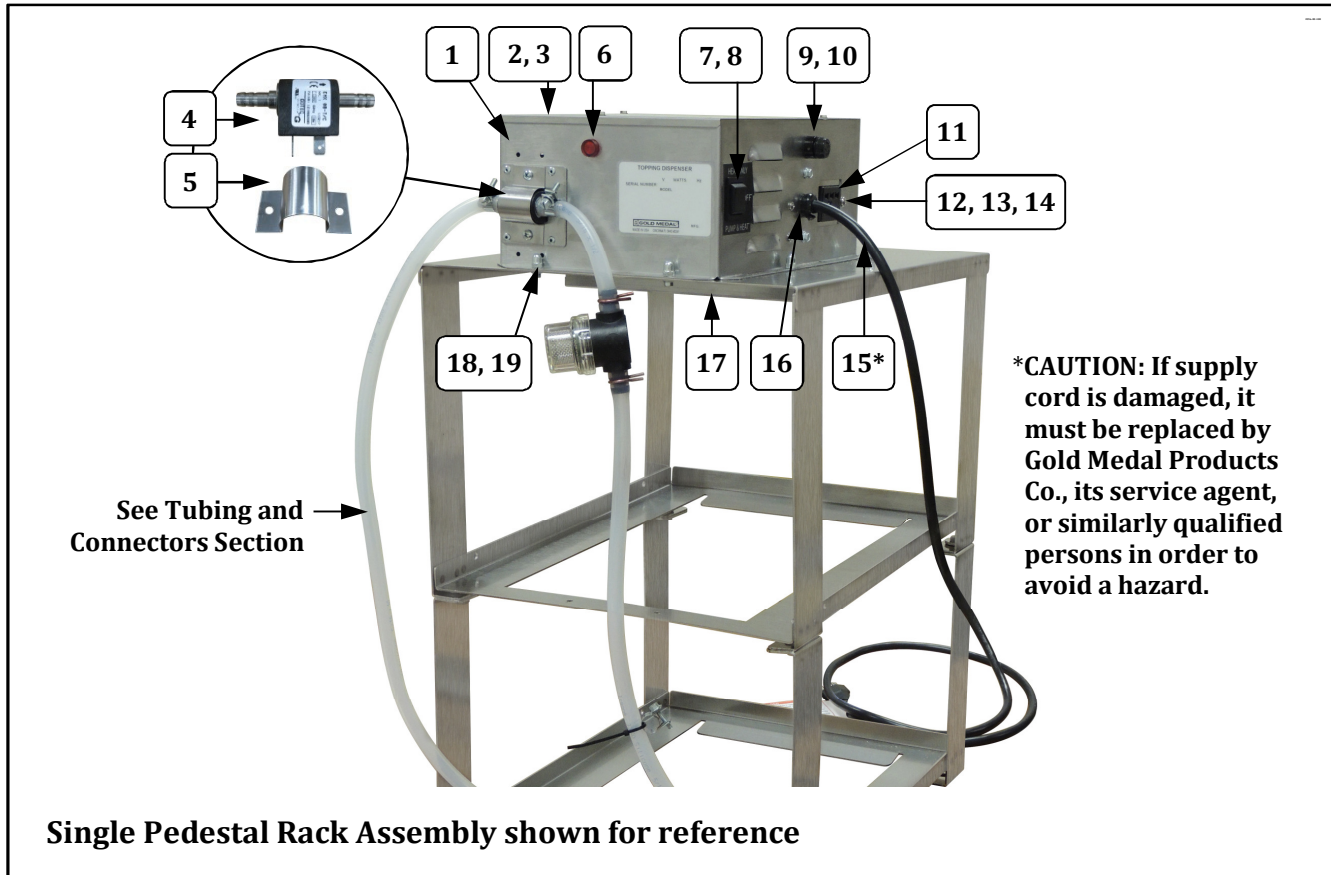
Rack Assembly - Exterior View



Item	Part Description	Part Number		
		2396-00-100 2396-00-110	2396-00-101 2396-00-111	2396-00-140
	COMPLETE RACK ASSEMBLY	77461		
1	CONTROL BOX	79375	79375	79375
2	CONTROL BOX COVER	79377	79377	79377
3	8-32 X 3/8 SLT. HWH M/S (screws to hold cover)	42044	42044	42044
4	B.I.B. BUTTER PUMP	79888	79888	79888
5	RETAINING STRAP	38998	38998	38998
6	RED PILOT LIGHT	41033	41033	41033
7	3 POSITION ROCKER SWITCH	39410	39410	39410
8	SWITCH LABEL	39413	39413	39413
9	FUSE HOLDER	74636	74636	74636
10	1 AMP FUSE	79341	79341	79341
11	SOCKET ASSEMBLY	100299	100299	100299
12	6-32 X 3/8 PHIL PAN M/S (fastens socket assy.)	39000	39000	39000
13	#6 INT. TOOTH L/W 410SS (fastens socket assy.)	39001	39001	39001
14	6-32 M/S NUT 18-8 (fastens socket assy.)	14221	14221	14221
15*	LEAD-IN CORD 15 AMP PLUG	22038	22038	22038
16	R 31-2 STRAIN RELIEF	41735	41735	41735
17	HEAT DEFLECTOR	38995	38995	38995
18	8-32 X 1/4 HX HD WHIZLOCK	42045	42045	42045
19	ACORN NUT #8-32	47702	47702	47702



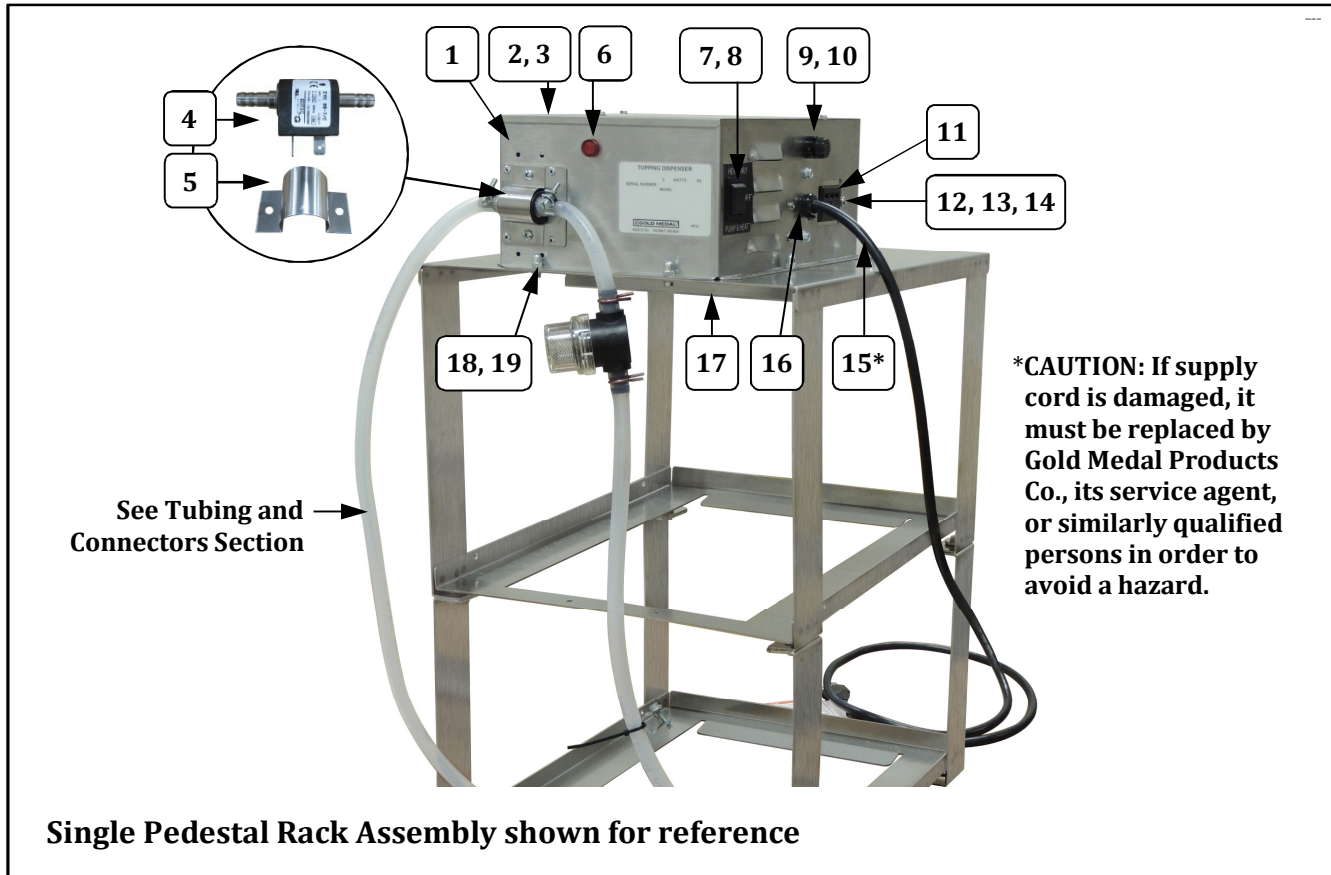
Rack Assembly - Exterior View



Item	Part Description	Part Number		
		2396-00-100 2396-00-110	2396-00-101 2396-00-111	2396-00-140
	COMPLETE RACK ASSEMBLY	77461		
1	CONTROL BOX	79375	79375	79375
2	CONTROL BOX COVER	79377	79377	79377
3	8-32 X 3/8 SLT. HWH M/S (screws to hold cover)	42044	42044	42044
4	B.I.B. BUTTER PUMP	79888	79888	79888
5	RETAINING STRAP	38998	38998	38998
6	RED PILOT LIGHT	41033	41033	41033
7	3 POSITION ROCKER SWITCH	39410	39410	39410
8	SWITCH LABEL	39413	39413	39413
9	FUSE HOLDER	74636	74636	74636
10	1 AMP FUSE	79341	79341	79341
11	SOCKET ASSEMBLY	100299	100299	100299
12	6-32 X 3/8 PHIL PAN M/S (fastens socket assy.)	39000	39000	39000
13	#6 INT. TOOTH L/W 410SS (fastens socket assy.)	39001	39001	39001
14	6-32 M/S NUT 18-8 (fastens socket assy.)	14221	14221	14221
15*	LEAD-IN CORD 15 AMP PLUG	22038	22038	22038
16	R 31-2 STRAIN RELIEF	41735	41735	41735
17	HEAT DEFLECTOR	38995	38995	38995
18	8-32 X 1/4 HX HD WHIZLOCK	42045	42045	42045
19	ACORN NUT #8-32	47702	47702	47702



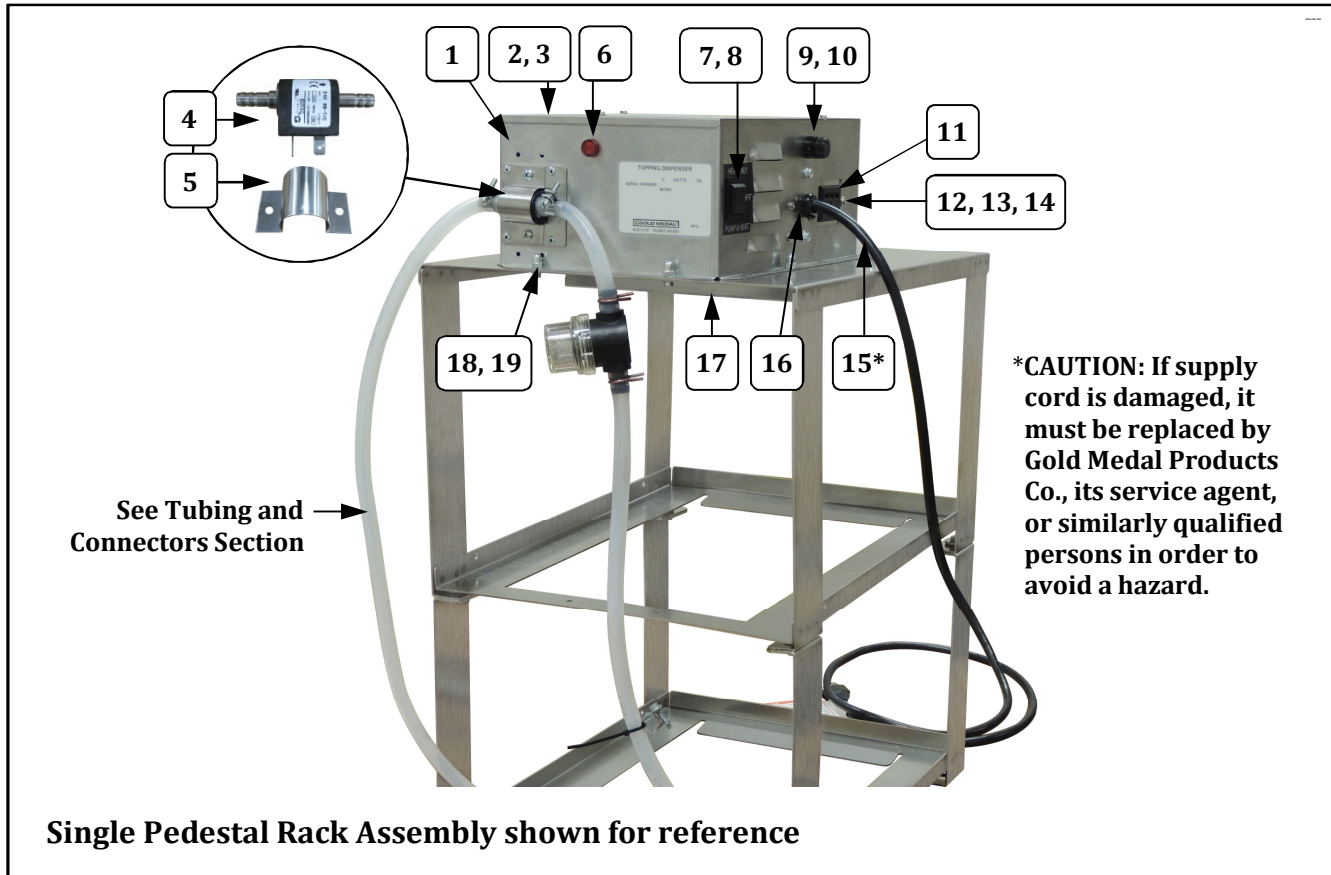
Rack Assembly - Exterior View



Single Pedestal Rack Assembly shown for reference

Item	Part Description	Part Number		
		2396-00-100 2396-00-110	2396-00-101 2396-00-111	2396-00-140
	COMPLETE RACK ASSEMBLY	77461		
1	CONTROL BOX	79375	79375	79375
2	CONTROL BOX COVER	79377	79377	79377
3	8-32 X 3/8 SLT. HWH M/S (screws to hold cover)	42044	42044	42044
4	B.I.B. BUTTER PUMP	79888	79888	79888
5	RETAINING STRAP	38998	38998	38998
6	RED PILOT LIGHT	41033	41033	41033
7	3 POSITION ROCKER SWITCH	39410	39410	39410
8	SWITCH LABEL	39413	39413	39413
9	FUSE HOLDER	74636	74636	74636
10	1 AMP FUSE	79341	79341	79341
11	SOCKET ASSEMBLY	100299	100299	100299
12	6-32 X 3/8 PHIL PAN M/S (fastens socket assy.)	39000	39000	39000
13	#6 INT. TOOTH L/W 410SS (fastens socket assy.)	39001	39001	39001
14	6-32 M/S NUT 18-8 (fastens socket assy.)	14221	14221	14221
15*	LEAD-IN CORD 15 AMP PLUG	22038	22038	22038
16	R 31-2 STRAIN RELIEF	41735	41735	41735
17	HEAT DEFLECTOR	38995	38995	38995
18	8-32 X 1/4 HX HD WHIZLOCK	42045	42045	42045
19	ACORN NUT #8-32	47702	47702	47702

Rack Assembly - Exterior View

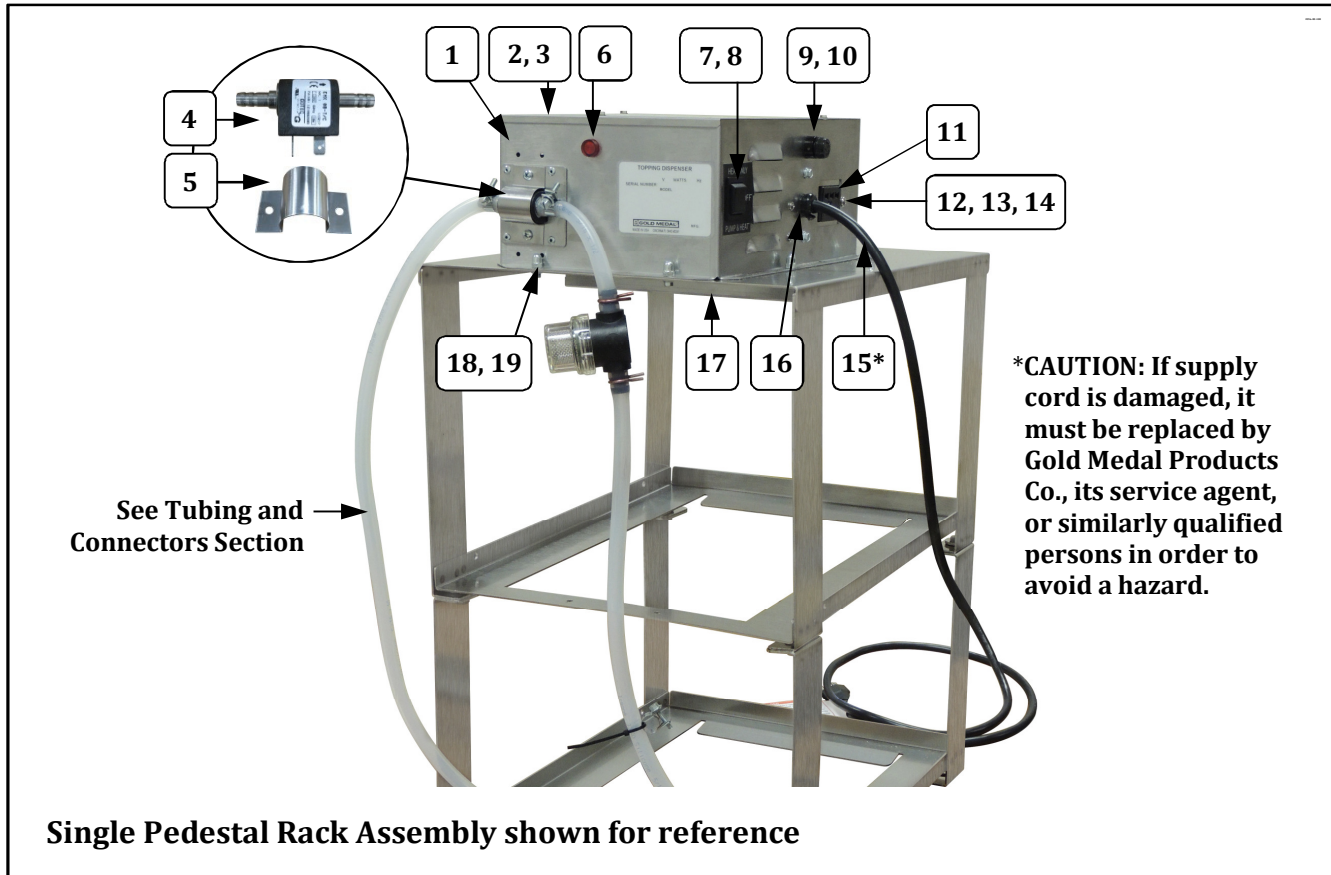


Single Pedestal Rack Assembly shown for reference

Item	Part Description	Part Number		
		2396-00-100 2396-00-110	2396-00-101 2396-00-111	2396-00-140
	COMPLETE RACK ASSEMBLY	77461		
1	CONTROL BOX	79375	79375	79375
2	CONTROL BOX COVER	79377	79377	79377
3	8-32 X 3/8 SLT. HWH M/S (screws to hold cover)	42044	42044	42044
4	B.I.B. BUTTER PUMP	79888	79888	79888
5	RETAINING STRAP	38998	38998	38998
6	RED PILOT LIGHT	41033	41033	41033
7	3 POSITION ROCKER SWITCH	39410	39410	39410
8	SWITCH LABEL	39413	39413	39413
9	FUSE HOLDER	74636	74636	74636
10	1 AMP FUSE	79341	79341	79341
11	SOCKET ASSEMBLY	100299	100299	100299
12	6-32 X 3/8 PHIL PAN M/S (fastens socket assy.)	39000	39000	39000
13	#6 INT. TOOTH L/W 410SS (fastens socket assy.)	39001	39001	39001
14	6-32 M/S NUT 18-8 (fastens socket assy.)	14221	14221	14221
15*	LEAD-IN CORD 15 AMP PLUG	22038	22038	22038
16	R 31-2 STRAIN RELIEF	41735	41735	41735
17	HEAT DEFLECTOR	38995	38995	38995
18	8-32 X 1/4 HX HD WHIZLOCK	42045	42045	42045
19	ACORN NUT #8-32	47702	47702	47702



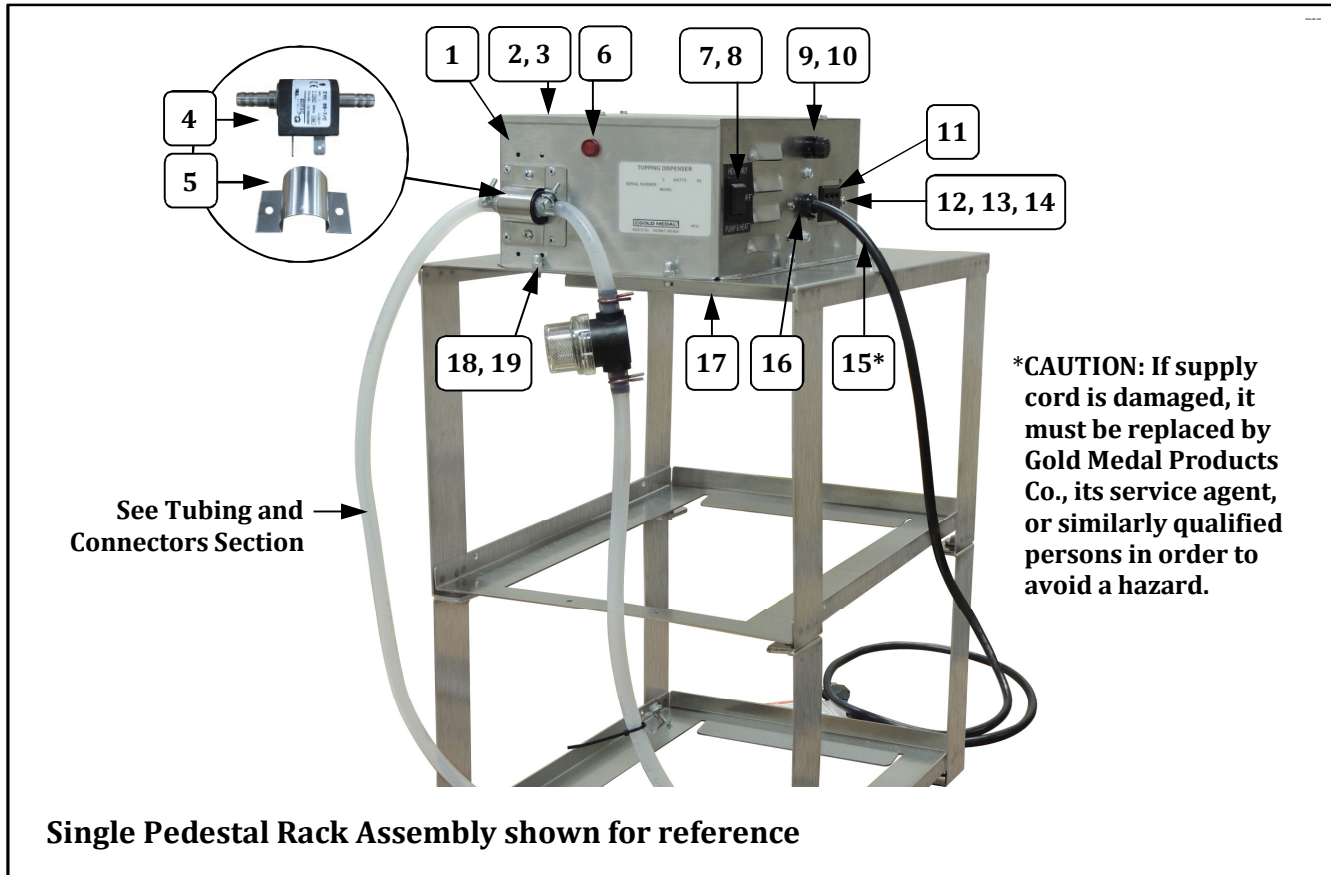
Rack Assembly - Exterior View



Item	Part Description	Part Number		
		2396-00-100 2396-00-110	2396-00-101 2396-00-111	2396-00-140
	COMPLETE RACK ASSEMBLY	77461		
1	CONTROL BOX	79375	79375	79375
2	CONTROL BOX COVER	79377	79377	79377
3	8-32 X 3/8 SLT. HWH M/S (screws to hold cover)	42044	42044	42044
4	B.I.B. BUTTER PUMP	79888	79888	79888
5	RETAINING STRAP	38998	38998	38998
6	RED PILOT LIGHT	41033	41033	41033
7	3 POSITION ROCKER SWITCH	39410	39410	39410
8	SWITCH LABEL	39413	39413	39413
9	FUSE HOLDER	74636	74636	74636
10	1 AMP FUSE	79341	79341	79341
11	SOCKET ASSEMBLY	100299	100299	100299
12	6-32 X 3/8 PHIL PAN M/S (fastens socket assy.)	39000	39000	39000
13	#6 INT. TOOTH L/W 410SS (fastens socket assy.)	39001	39001	39001
14	6-32 M/S NUT 18-8 (fastens socket assy.)	14221	14221	14221
15*	LEAD-IN CORD 15 AMP PLUG	22038	22038	22038
16	R 31-2 STRAIN RELIEF	41735	41735	41735
17	HEAT DEFLECTOR	38995	38995	38995
18	8-32 X 1/4 HX HD WHIZLOCK	42045	42045	42045
19	ACORN NUT #8-32	47702	47702	47702



Rack Assembly - Exterior View

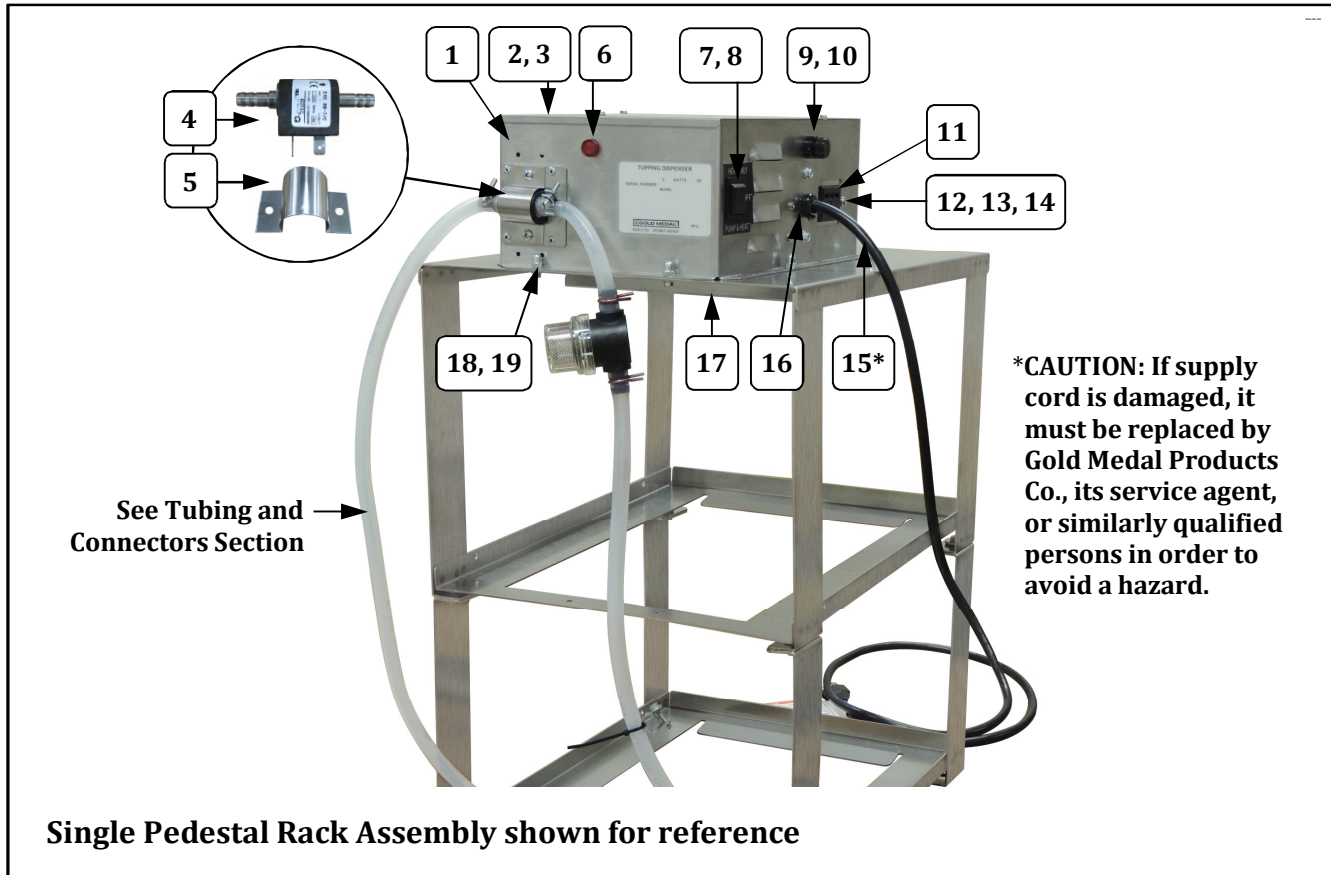


Single Pedestal Rack Assembly shown for reference

Item	Part Description	Part Number		
		2396-00-100 2396-00-110	2396-00-101 2396-00-111	2396-00-140
	COMPLETE RACK ASSEMBLY	77461		
1	CONTROL BOX	79375	79375	79375
2	CONTROL BOX COVER	79377	79377	79377
3	8-32 X 3/8 SLT. HWH M/S (screws to hold cover)	42044	42044	42044
4	B.I.B. BUTTER PUMP	79888	79888	79888
5	RETAINING STRAP	38998	38998	38998
6	RED PILOT LIGHT	41033	41033	41033
7	3 POSITION ROCKER SWITCH	39410	39410	39410
8	SWITCH LABEL	39413	39413	39413
9	FUSE HOLDER	74636	74636	74636
10	1 AMP FUSE	79341	79341	79341
11	SOCKET ASSEMBLY	100299	100299	100299
12	6-32 X 3/8 PHIL PAN M/S (fastens socket assy.)	39000	39000	39000
13	#6 INT. TOOTH L/W 410SS (fastens socket assy.)	39001	39001	39001
14	6-32 M/S NUT 18-8 (fastens socket assy.)	14221	14221	14221
15*	LEAD-IN CORD 15 AMP PLUG	22038	22038	22038
16	R 31-2 STRAIN RELIEF	41735	41735	41735
17	HEAT DEFLECTOR	38995	38995	38995
18	8-32 X 1/4 HX HD WHIZLOCK	42045	42045	42045
19	ACORN NUT #8-32	47702	47702	47702



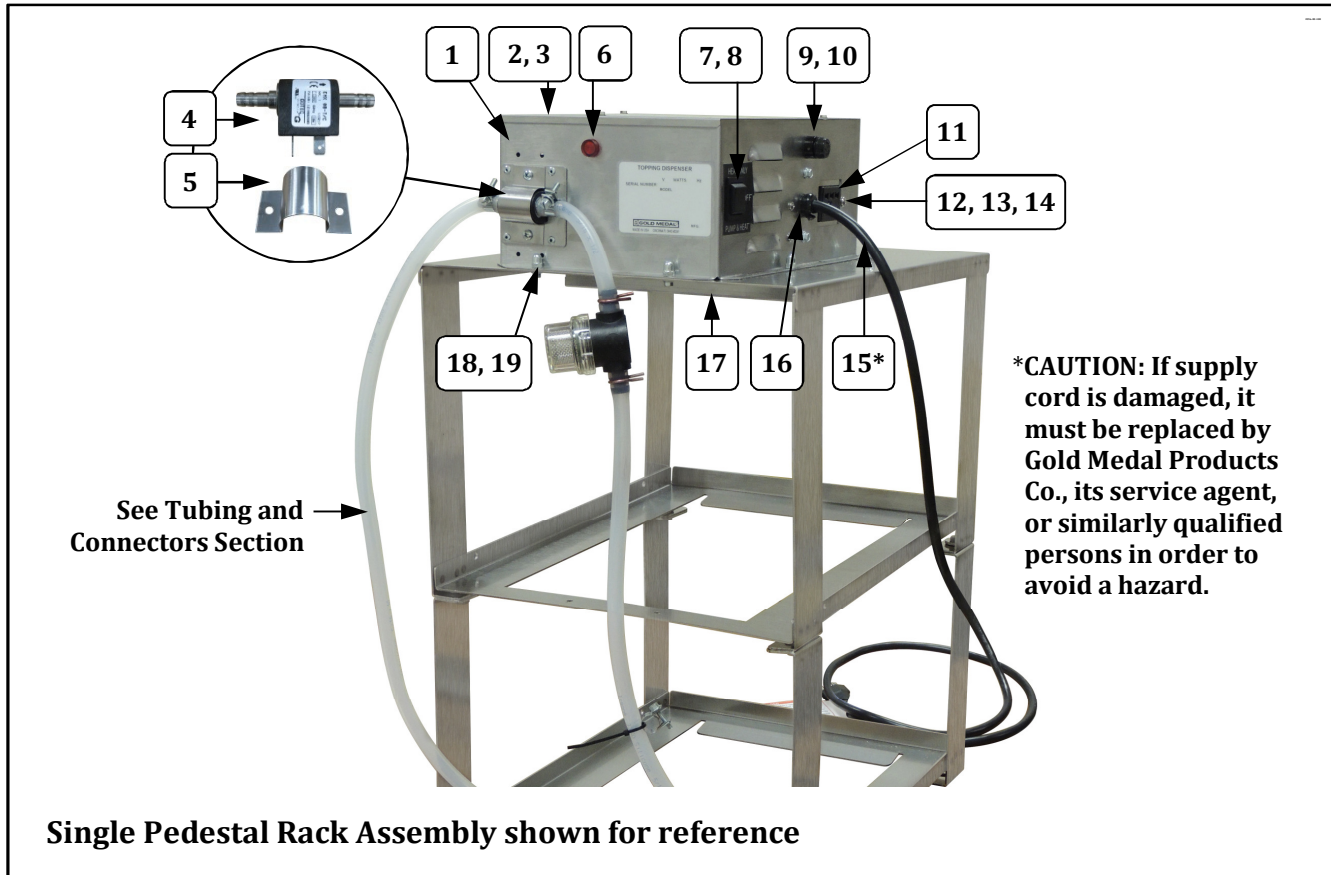
Rack Assembly - Exterior View



Item	Part Description	Part Number		
		2396-00-100 2396-00-110	2396-00-101 2396-00-111	2396-00-140
	COMPLETE RACK ASSEMBLY	77461		
1	CONTROL BOX	79375	79375	79375
2	CONTROL BOX COVER	79377	79377	79377
3	8-32 X 3/8 SLT. HWH M/S (screws to hold cover)	42044	42044	42044
4	B.I.B. BUTTER PUMP	79888	79888	79888
5	RETAINING STRAP	38998	38998	38998
6	RED PILOT LIGHT	41033	41033	41033
7	3 POSITION ROCKER SWITCH	39410	39410	39410
8	SWITCH LABEL	39413	39413	39413
9	FUSE HOLDER	74636	74636	74636
10	1 AMP FUSE	79341	79341	79341
11	SOCKET ASSEMBLY	100299	100299	100299
12	6-32 X 3/8 PHIL PAN M/S (fastens socket assy.)	39000	39000	39000
13	#6 INT. TOOTH L/W 410SS (fastens socket assy.)	39001	39001	39001
14	6-32 M/S NUT 18-8 (fastens socket assy.)	14221	14221	14221
15*	LEAD-IN CORD 15 AMP PLUG	22038	22038	22038
16	R 31-2 STRAIN RELIEF	41735	41735	41735
17	HEAT DEFLECTOR	38995	38995	38995
18	8-32 X 1/4 HX HD WHIZLOCK	42045	42045	42045
19	ACORN NUT #8-32	47702	47702	47702



Rack Assembly - Exterior View

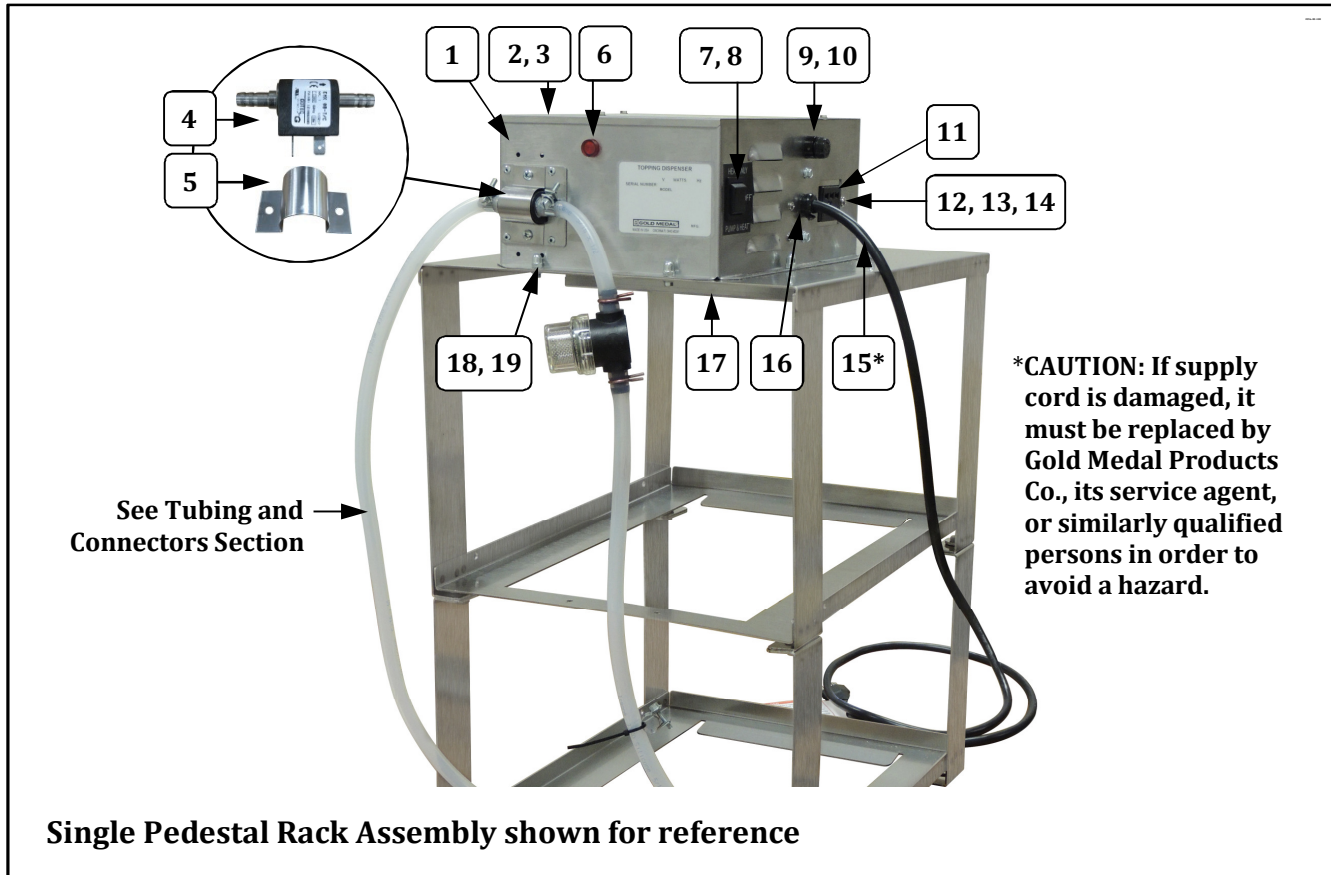


Single Pedestal Rack Assembly shown for reference

Item	Part Description	Part Number		
		2396-00-100 2396-00-110	2396-00-101 2396-00-111	2396-00-140
	COMPLETE RACK ASSEMBLY	77461		
1	CONTROL BOX	79375	79375	79375
2	CONTROL BOX COVER	79377	79377	79377
3	8-32 X 3/8 SLT. HWH M/S (screws to hold cover)	42044	42044	42044
4	B.I.B. BUTTER PUMP	79888	79888	79888
5	RETAINING STRAP	38998	38998	38998
6	RED PILOT LIGHT	41033	41033	41033
7	3 POSITION ROCKER SWITCH	39410	39410	39410
8	SWITCH LABEL	39413	39413	39413
9	FUSE HOLDER	74636	74636	74636
10	1 AMP FUSE	79341	79341	79341
11	SOCKET ASSEMBLY	100299	100299	100299
12	6-32 X 3/8 PHIL PAN M/S (fastens socket assy.)	39000	39000	39000
13	#6 INT. TOOTH L/W 410SS (fastens socket assy.)	39001	39001	39001
14	6-32 M/S NUT 18-8 (fastens socket assy.)	14221	14221	14221
15*	LEAD-IN CORD 15 AMP PLUG	22038	22038	22038
16	R 31-2 STRAIN RELIEF	41735	41735	41735
17	HEAT DEFLECTOR	38995	38995	38995
18	8-32 X 1/4 HX HD WHIZLOCK	42045	42045	42045
19	ACORN NUT #8-32	47702	47702	47702



Rack Assembly - Exterior View

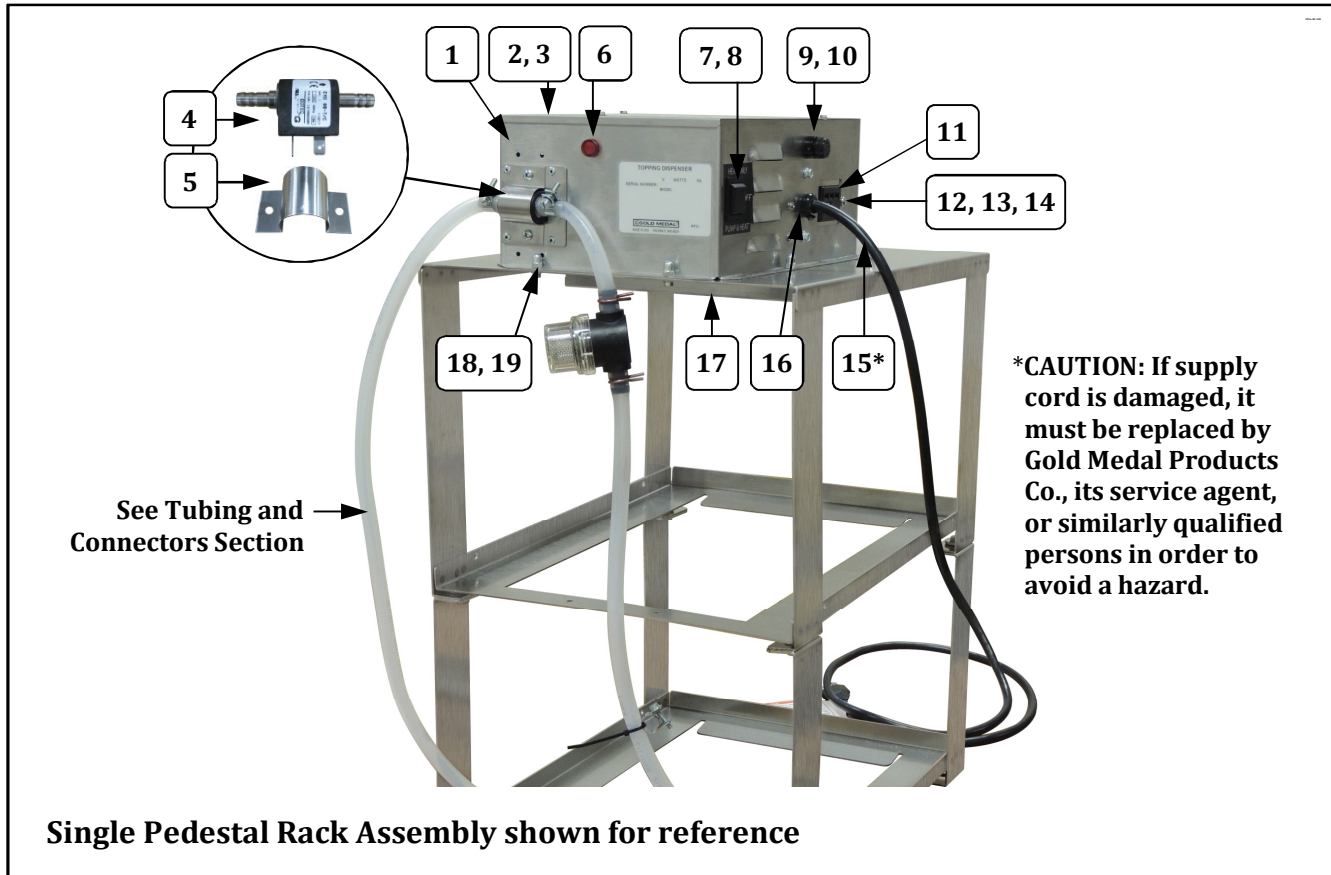


Single Pedestal Rack Assembly shown for reference

Item	Part Description	Part Number		
		2396-00-100 2396-00-110	2396-00-101 2396-00-111	2396-00-140
	COMPLETE RACK ASSEMBLY	77461		
1	CONTROL BOX	79375	79375	79375
2	CONTROL BOX COVER	79377	79377	79377
3	8-32 X 3/8 SLT. HWH M/S (screws to hold cover)	42044	42044	42044
4	B.I.B. BUTTER PUMP	79888	79888	79888
5	RETAINING STRAP	38998	38998	38998
6	RED PILOT LIGHT	41033	41033	41033
7	3 POSITION ROCKER SWITCH	39410	39410	39410
8	SWITCH LABEL	39413	39413	39413
9	FUSE HOLDER	74636	74636	74636
10	1 AMP FUSE	79341	79341	79341
11	SOCKET ASSEMBLY	100299	100299	100299
12	6-32 X 3/8 PHIL PAN M/S (fastens socket assy.)	39000	39000	39000
13	#6 INT. TOOTH L/W 410SS (fastens socket assy.)	39001	39001	39001
14	6-32 M/S NUT 18-8 (fastens socket assy.)	14221	14221	14221
15*	LEAD-IN CORD 15 AMP PLUG	22038	22038	22038
16	R 31-2 STRAIN RELIEF	41735	41735	41735
17	HEAT DEFLECTOR	38995	38995	38995
18	8-32 X 1/4 HX HD WHIZLOCK	42045	42045	42045
19	ACORN NUT #8-32	47702	47702	47702



Rack Assembly - Exterior View

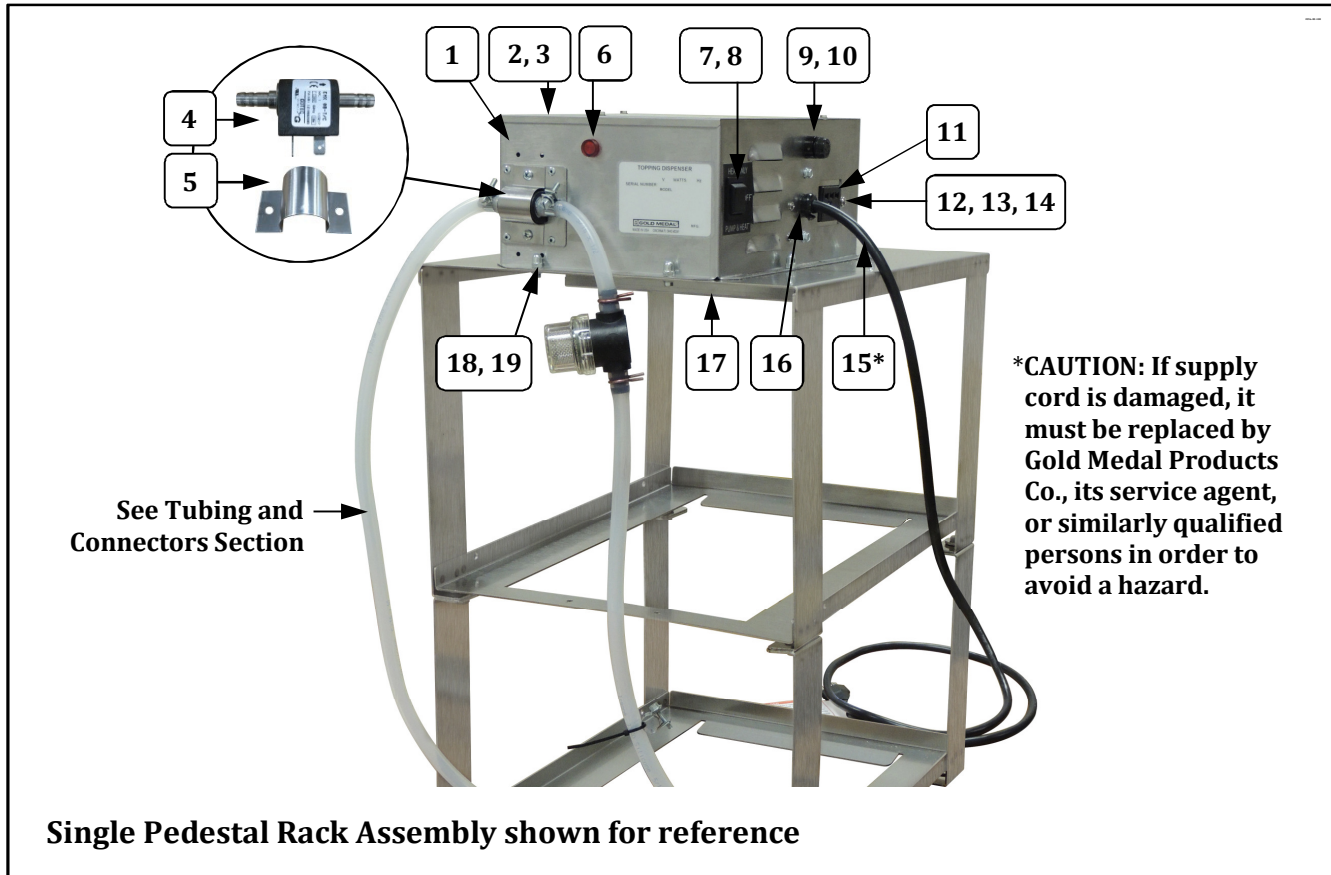


Single Pedestal Rack Assembly shown for reference

Item	Part Description	Part Number		
		2396-00-100 2396-00-110	2396-00-101 2396-00-111	2396-00-140
	COMPLETE RACK ASSEMBLY	77461		
1	CONTROL BOX	79375	79375	79375
2	CONTROL BOX COVER	79377	79377	79377
3	8-32 X 3/8 SLT. HWH M/S (screws to hold cover)	42044	42044	42044
4	B.I.B. BUTTER PUMP	79888	79888	79888
5	RETAINING STRAP	38998	38998	38998
6	RED PILOT LIGHT	41033	41033	41033
7	3 POSITION ROCKER SWITCH	39410	39410	39410
8	SWITCH LABEL	39413	39413	39413
9	FUSE HOLDER	74636	74636	74636
10	1 AMP FUSE	79341	79341	79341
11	SOCKET ASSEMBLY	100299	100299	100299
12	6-32 X 3/8 PHIL PAN M/S (fastens socket assy.)	39000	39000	39000
13	#6 INT. TOOTH L/W 410SS (fastens socket assy.)	39001	39001	39001
14	6-32 M/S NUT 18-8 (fastens socket assy.)	14221	14221	14221
15*	LEAD-IN CORD 15 AMP PLUG	22038	22038	22038
16	R 31-2 STRAIN RELIEF	41735	41735	41735
17	HEAT DEFLECTOR	38995	38995	38995
18	8-32 X 1/4 HX HD WHIZLOCK	42045	42045	42045
19	ACORN NUT #8-32	47702	47702	47702



Rack Assembly - Exterior View

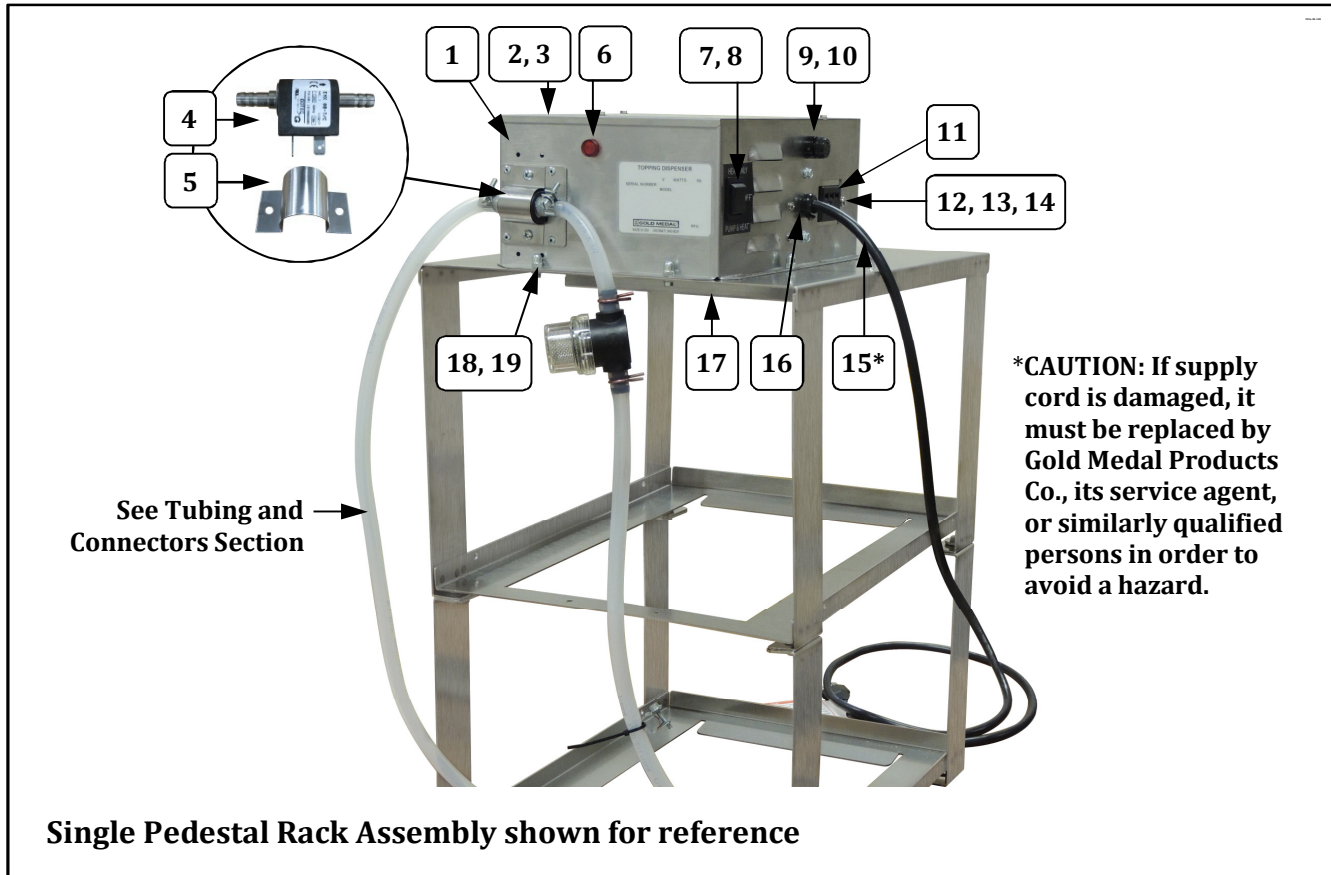


Single Pedestal Rack Assembly shown for reference

Item	Part Description	Part Number		
		2396-00-100 2396-00-110	2396-00-101 2396-00-111	2396-00-140
	COMPLETE RACK ASSEMBLY	77461		
1	CONTROL BOX	79375	79375	79375
2	CONTROL BOX COVER	79377	79377	79377
3	8-32 X 3/8 SLT. HWH M/S (screws to hold cover)	42044	42044	42044
4	B.I.B. BUTTER PUMP	79888	79888	79888
5	RETAINING STRAP	38998	38998	38998
6	RED PILOT LIGHT	41033	41033	41033
7	3 POSITION ROCKER SWITCH	39410	39410	39410
8	SWITCH LABEL	39413	39413	39413
9	FUSE HOLDER	74636	74636	74636
10	1 AMP FUSE	79341	79341	79341
11	SOCKET ASSEMBLY	100299	100299	100299
12	6-32 X 3/8 PHIL PAN M/S (fastens socket assy.)	39000	39000	39000
13	#6 INT. TOOTH L/W 410SS (fastens socket assy.)	39001	39001	39001
14	6-32 M/S NUT 18-8 (fastens socket assy.)	14221	14221	14221
15*	LEAD-IN CORD 15 AMP PLUG	22038	22038	22038
16	R 31-2 STRAIN RELIEF	41735	41735	41735
17	HEAT DEFLECTOR	38995	38995	38995
18	8-32 X 1/4 HX HD WHIZLOCK	42045	42045	42045
19	ACORN NUT #8-32	47702	47702	47702



Rack Assembly - Exterior View

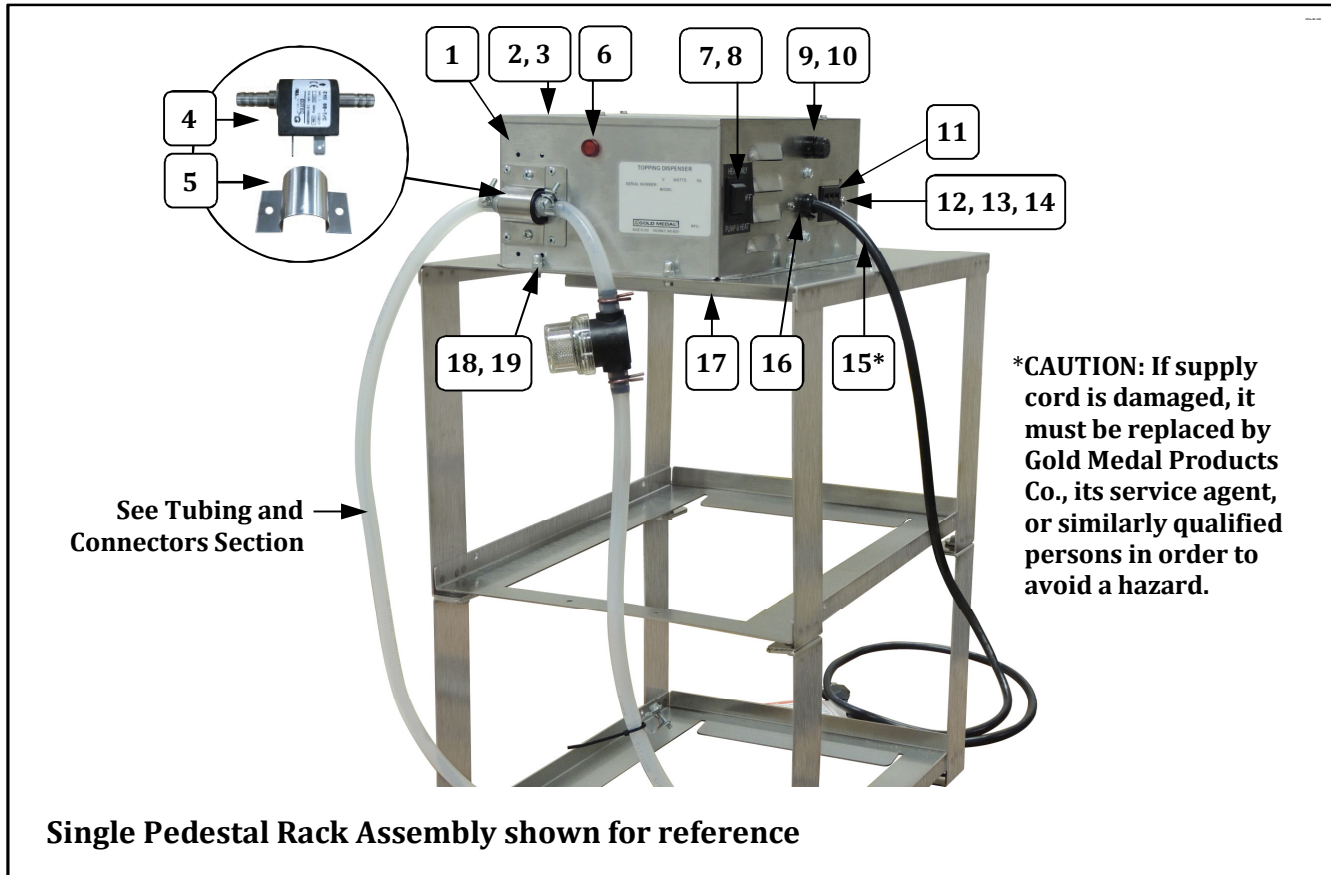


Single Pedestal Rack Assembly shown for reference

Item	Part Description	Part Number		
		2396-00-100 2396-00-110	2396-00-101 2396-00-111	2396-00-140
	COMPLETE RACK ASSEMBLY	77461		
1	CONTROL BOX	79375	79375	79375
2	CONTROL BOX COVER	79377	79377	79377
3	8-32 X 3/8 SLT. HWH M/S (screws to hold cover)	42044	42044	42044
4	B.I.B. BUTTER PUMP	79888	79888	79888
5	RETAINING STRAP	38998	38998	38998
6	RED PILOT LIGHT	41033	41033	41033
7	3 POSITION ROCKER SWITCH	39410	39410	39410
8	SWITCH LABEL	39413	39413	39413
9	FUSE HOLDER	74636	74636	74636
10	1 AMP FUSE	79341	79341	79341
11	SOCKET ASSEMBLY	100299	100299	100299
12	6-32 X 3/8 PHIL PAN M/S (fastens socket assy.)	39000	39000	39000
13	#6 INT. TOOTH L/W 410SS (fastens socket assy.)	39001	39001	39001
14	6-32 M/S NUT 18-8 (fastens socket assy.)	14221	14221	14221
15*	LEAD-IN CORD 15 AMP PLUG	22038	22038	22038
16	R 31-2 STRAIN RELIEF	41735	41735	41735
17	HEAT DEFLECTOR	38995	38995	38995
18	8-32 X 1/4 HX HD WHIZLOCK	42045	42045	42045
19	ACORN NUT #8-32	47702	47702	47702



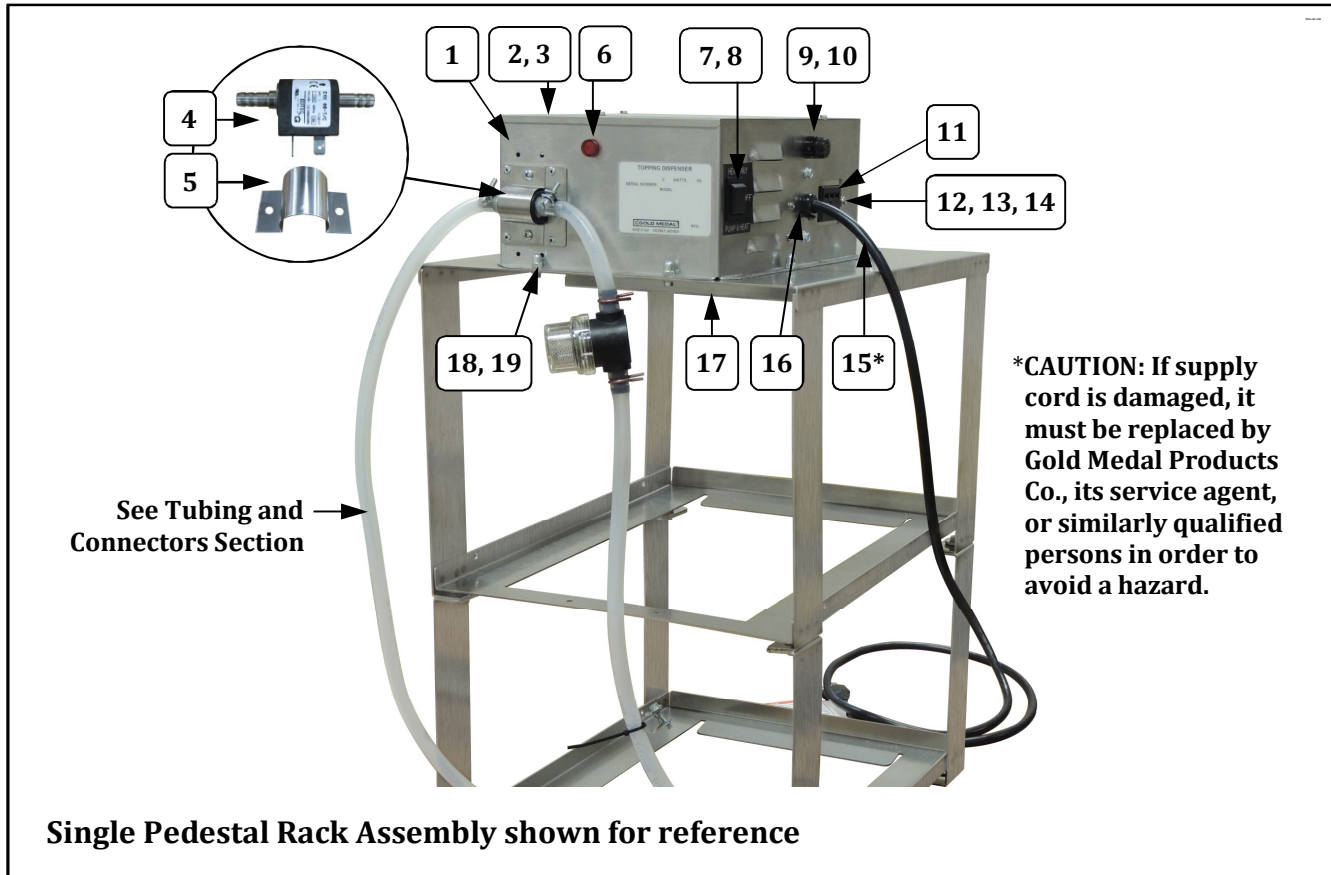
Rack Assembly - Exterior View



Item	Part Description	Part Number		
		2396-00-100 2396-00-110	2396-00-101 2396-00-111	2396-00-140
	COMPLETE RACK ASSEMBLY	77461		
1	CONTROL BOX	79375	79375	79375
2	CONTROL BOX COVER	79377	79377	79377
3	8-32 X 3/8 SLT. HWH M/S (screws to hold cover)	42044	42044	42044
4	B.I.B. BUTTER PUMP	79888	79888	79888
5	RETAINING STRAP	38998	38998	38998
6	RED PILOT LIGHT	41033	41033	41033
7	3 POSITION ROCKER SWITCH	39410	39410	39410
8	SWITCH LABEL	39413	39413	39413
9	FUSE HOLDER	74636	74636	74636
10	1 AMP FUSE	79341	79341	79341
11	SOCKET ASSEMBLY	100299	100299	100299
12	6-32 X 3/8 PHIL PAN M/S (fastens socket assy.)	39000	39000	39000
13	#6 INT. TOOTH L/W 410SS (fastens socket assy.)	39001	39001	39001
14	6-32 M/S NUT 18-8 (fastens socket assy.)	14221	14221	14221
15*	LEAD-IN CORD 15 AMP PLUG	22038	22038	22038
16	R 31-2 STRAIN RELIEF	41735	41735	41735
17	HEAT DEFLECTOR	38995	38995	38995
18	8-32 X 1/4 HX HD WHIZLOCK	42045	42045	42045
19	ACORN NUT #8-32	47702	47702	47702



Rack Assembly - Exterior View

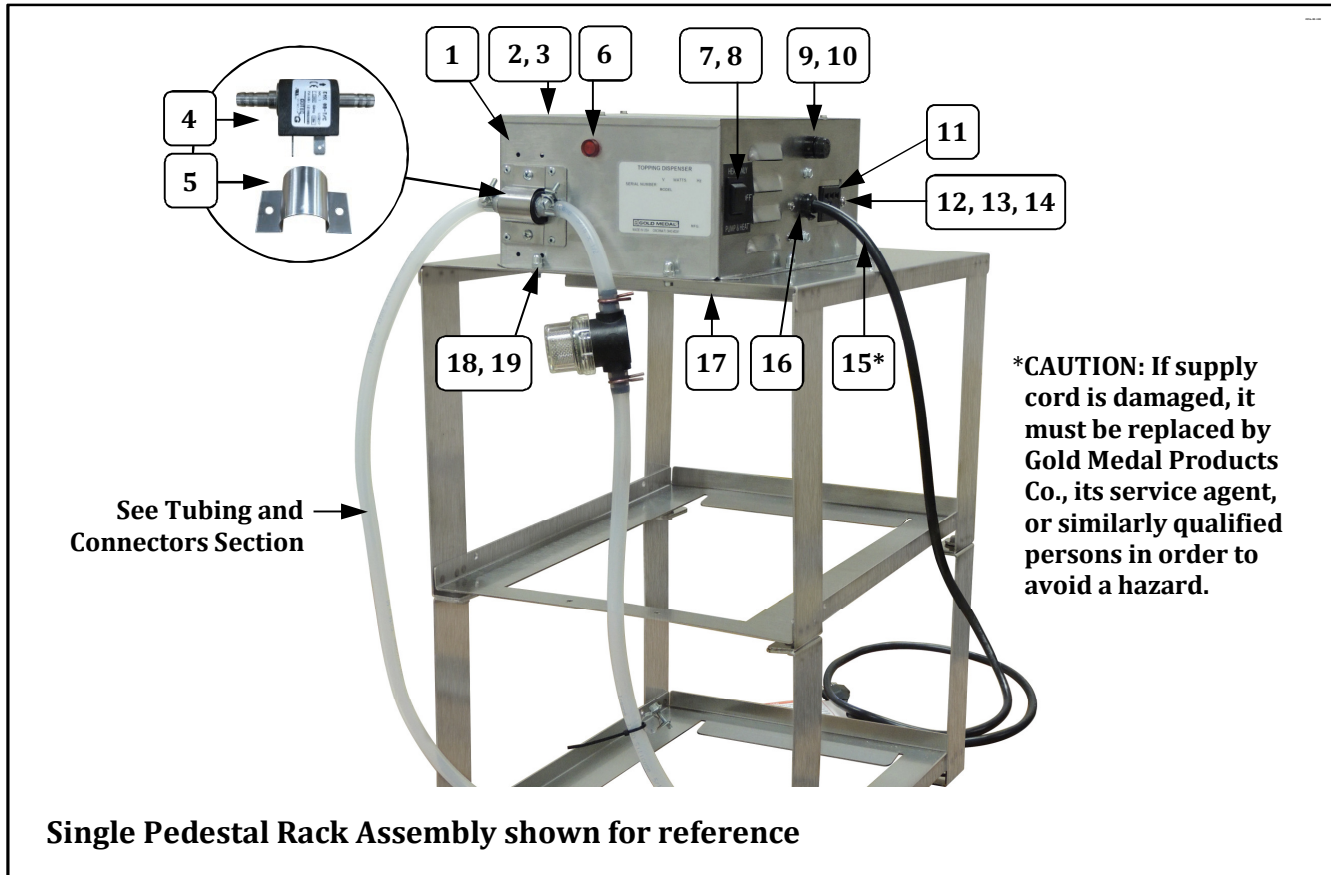


Single Pedestal Rack Assembly shown for reference

Item	Part Description	Part Number		
		2396-00-100 2396-00-110	2396-00-101 2396-00-111	2396-00-140
	COMPLETE RACK ASSEMBLY	77461		
1	CONTROL BOX	79375	79375	79375
2	CONTROL BOX COVER	79377	79377	79377
3	8-32 X 3/8 SLT. HWH M/S (screws to hold cover)	42044	42044	42044
4	B.I.B. BUTTER PUMP	79888	79888	79888
5	RETAINING STRAP	38998	38998	38998
6	RED PILOT LIGHT	41033	41033	41033
7	3 POSITION ROCKER SWITCH	39410	39410	39410
8	SWITCH LABEL	39413	39413	39413
9	FUSE HOLDER	74636	74636	74636
10	1 AMP FUSE	79341	79341	79341
11	SOCKET ASSEMBLY	100299	100299	100299
12	6-32 X 3/8 PHIL PAN M/S (fastens socket assy.)	39000	39000	39000
13	#6 INT. TOOTH L/W 410SS (fastens socket assy.)	39001	39001	39001
14	6-32 M/S NUT 18-8 (fastens socket assy.)	14221	14221	14221
15*	LEAD-IN CORD 15 AMP PLUG	22038	22038	22038
16	R 31-2 STRAIN RELIEF	41735	41735	41735
17	HEAT DEFLECTOR	38995	38995	38995
18	8-32 X 1/4 HX HD WHIZLOCK	42045	42045	42045
19	ACORN NUT #8-32	47702	47702	47702

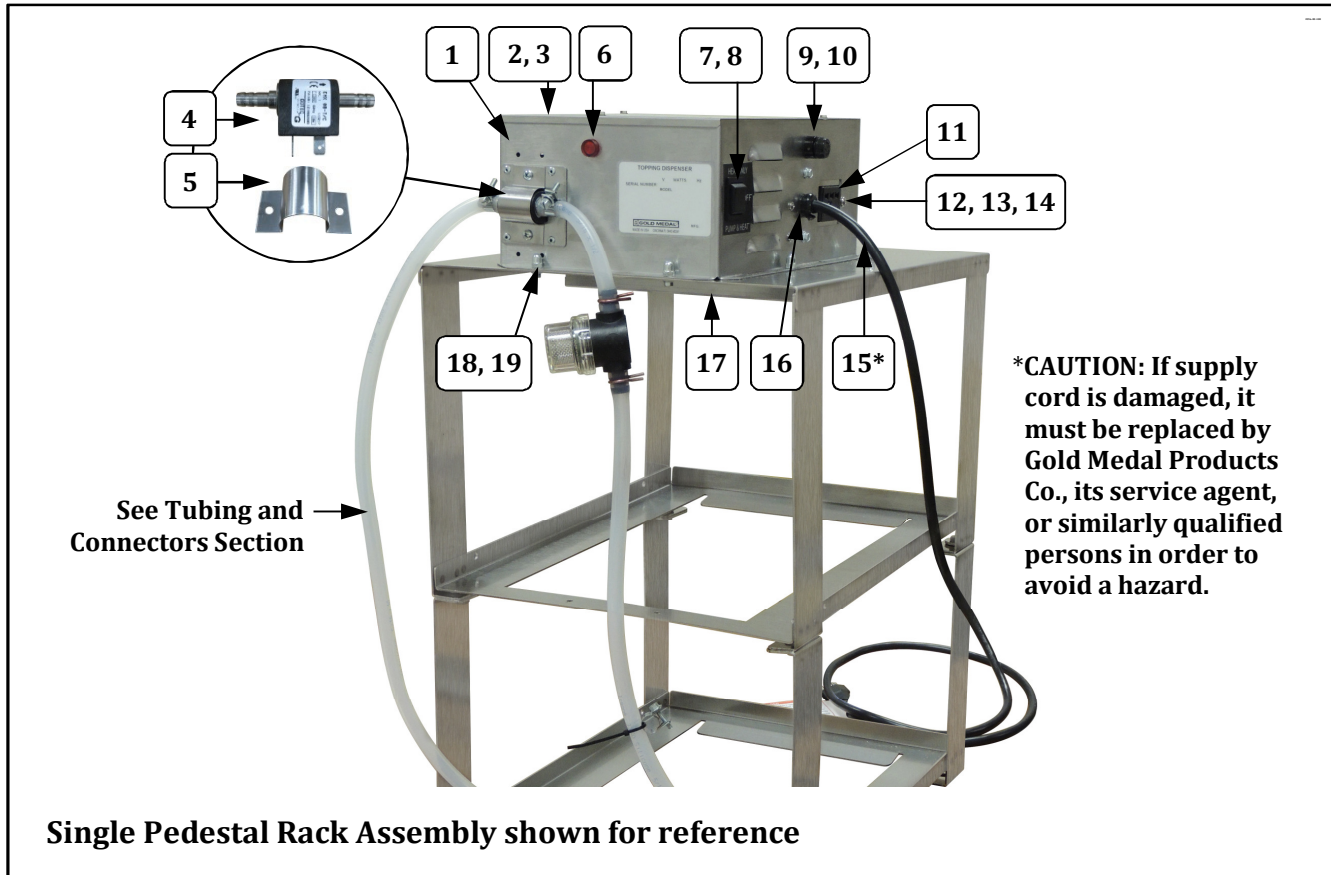


Rack Assembly - Exterior View



Item	Part Description	Part Number		
		2396-00-100 2396-00-110	2396-00-101 2396-00-111	2396-00-140
	COMPLETE RACK ASSEMBLY	77461		
1	CONTROL BOX	79375	79375	79375
2	CONTROL BOX COVER	79377	79377	79377
3	8-32 X 3/8 SLT. HWH M/S (screws to hold cover)	42044	42044	42044
4	B.I.B. BUTTER PUMP	79888	79888	79888
5	RETAINING STRAP	38998	38998	38998
6	RED PILOT LIGHT	41033	41033	41033
7	3 POSITION ROCKER SWITCH	39410	39410	39410
8	SWITCH LABEL	39413	39413	39413
9	FUSE HOLDER	74636	74636	74636
10	1 AMP FUSE	79341	79341	79341
11	SOCKET ASSEMBLY	100299	100299	100299
12	6-32 X 3/8 PHIL PAN M/S (fastens socket assy.)	39000	39000	39000
13	#6 INT. TOOTH L/W 410SS (fastens socket assy.)	39001	39001	39001
14	6-32 M/S NUT 18-8 (fastens socket assy.)	14221	14221	14221
15*	LEAD-IN CORD 15 AMP PLUG	22038	22038	22038
16	R 31-2 STRAIN RELIEF	41735	41735	41735
17	HEAT DEFLECTOR	38995	38995	38995
18	8-32 X 1/4 HX HD WHIZLOCK	42045	42045	42045
19	ACORN NUT #8-32	47702	47702	47702

Rack Assembly - Exterior View

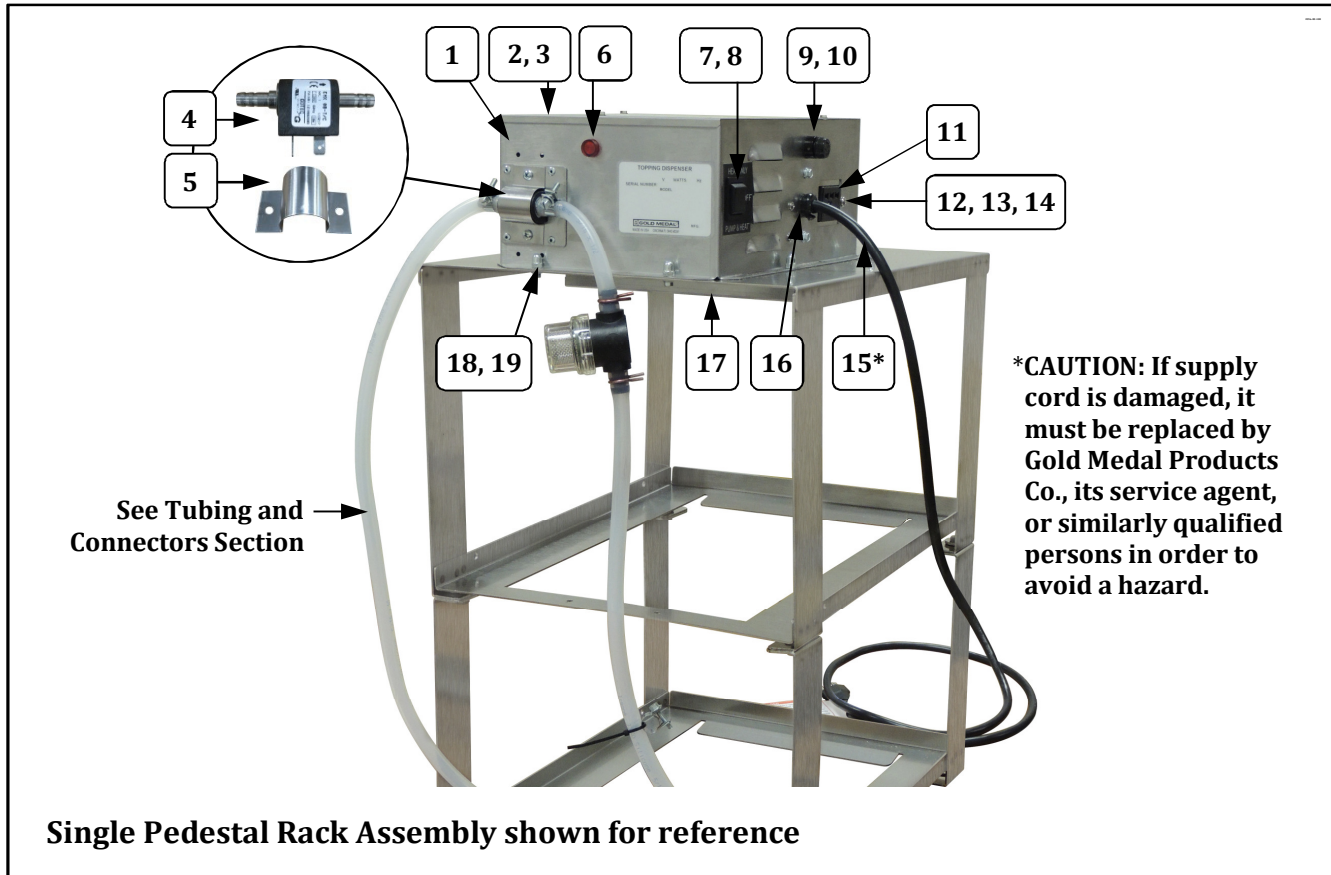


Single Pedestal Rack Assembly shown for reference

Item	Part Description	Part Number		
		2396-00-100 2396-00-110	2396-00-101 2396-00-111	2396-00-140
	COMPLETE RACK ASSEMBLY	77461		
1	CONTROL BOX	79375	79375	79375
2	CONTROL BOX COVER	79377	79377	79377
3	8-32 X 3/8 SLT. HWH M/S (screws to hold cover)	42044	42044	42044
4	B.I.B. BUTTER PUMP	79888	79888	79888
5	RETAINING STRAP	38998	38998	38998
6	RED PILOT LIGHT	41033	41033	41033
7	3 POSITION ROCKER SWITCH	39410	39410	39410
8	SWITCH LABEL	39413	39413	39413
9	FUSE HOLDER	74636	74636	74636
10	1 AMP FUSE	79341	79341	79341
11	SOCKET ASSEMBLY	100299	100299	100299
12	6-32 X 3/8 PHIL PAN M/S (fastens socket assy.)	39000	39000	39000
13	#6 INT. TOOTH L/W 410SS (fastens socket assy.)	39001	39001	39001
14	6-32 M/S NUT 18-8 (fastens socket assy.)	14221	14221	14221
15*	LEAD-IN CORD 15 AMP PLUG	22038	22038	22038
16	R 31-2 STRAIN RELIEF	41735	41735	41735
17	HEAT DEFLECTOR	38995	38995	38995
18	8-32 X 1/4 HX HD WHIZLOCK	42045	42045	42045
19	ACORN NUT #8-32	47702	47702	47702



Rack Assembly - Exterior View

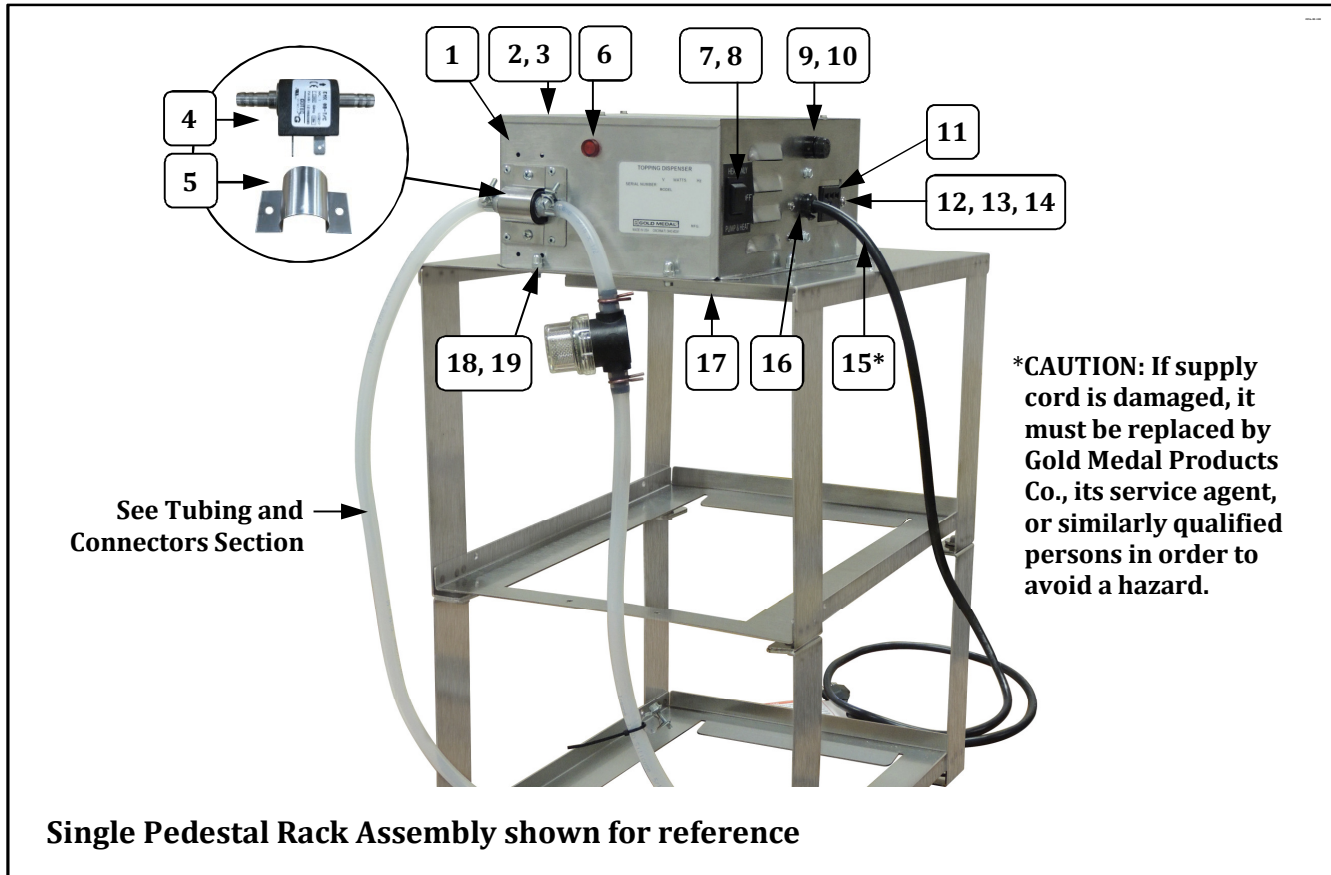


Single Pedestal Rack Assembly shown for reference

Item	Part Description	Part Number		
		2396-00-100 2396-00-110	2396-00-101 2396-00-111	2396-00-140
	COMPLETE RACK ASSEMBLY	77461		
1	CONTROL BOX	79375	79375	79375
2	CONTROL BOX COVER	79377	79377	79377
3	8-32 X 3/8 SLT. HWH M/S (screws to hold cover)	42044	42044	42044
4	B.I.B. BUTTER PUMP	79888	79888	79888
5	RETAINING STRAP	38998	38998	38998
6	RED PILOT LIGHT	41033	41033	41033
7	3 POSITION ROCKER SWITCH	39410	39410	39410
8	SWITCH LABEL	39413	39413	39413
9	FUSE HOLDER	74636	74636	74636
10	1 AMP FUSE	79341	79341	79341
11	SOCKET ASSEMBLY	100299	100299	100299
12	6-32 X 3/8 PHIL PAN M/S (fastens socket assy.)	39000	39000	39000
13	#6 INT. TOOTH L/W 410SS (fastens socket assy.)	39001	39001	39001
14	6-32 M/S NUT 18-8 (fastens socket assy.)	14221	14221	14221
15*	LEAD-IN CORD 15 AMP PLUG	22038	22038	22038
16	R 31-2 STRAIN RELIEF	41735	41735	41735
17	HEAT DEFLECTOR	38995	38995	38995
18	8-32 X 1/4 HX HD WHIZLOCK	42045	42045	42045
19	ACORN NUT #8-32	47702	47702	47702



Rack Assembly - Exterior View

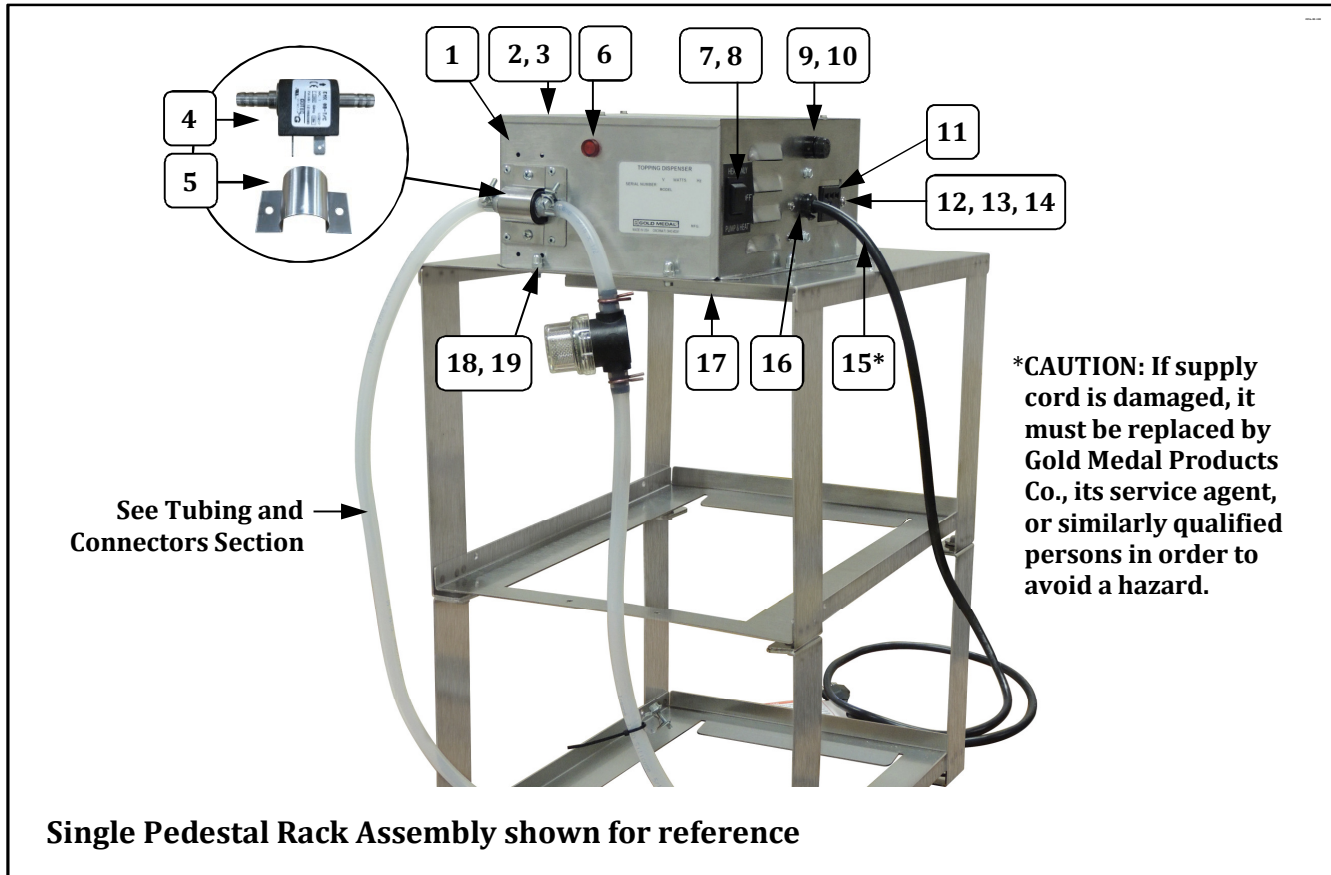


Single Pedestal Rack Assembly shown for reference

Item	Part Description	Part Number		
		2396-00-100 2396-00-110	2396-00-101 2396-00-111	2396-00-140
	COMPLETE RACK ASSEMBLY	77461		
1	CONTROL BOX	79375	79375	79375
2	CONTROL BOX COVER	79377	79377	79377
3	8-32 X 3/8 SLT. HWH M/S (screws to hold cover)	42044	42044	42044
4	B.I.B. BUTTER PUMP	79888	79888	79888
5	RETAINING STRAP	38998	38998	38998
6	RED PILOT LIGHT	41033	41033	41033
7	3 POSITION ROCKER SWITCH	39410	39410	39410
8	SWITCH LABEL	39413	39413	39413
9	FUSE HOLDER	74636	74636	74636
10	1 AMP FUSE	79341	79341	79341
11	SOCKET ASSEMBLY	100299	100299	100299
12	6-32 X 3/8 PHIL PAN M/S (fastens socket assy.)	39000	39000	39000
13	#6 INT. TOOTH L/W 410SS (fastens socket assy.)	39001	39001	39001
14	6-32 M/S NUT 18-8 (fastens socket assy.)	14221	14221	14221
15*	LEAD-IN CORD 15 AMP PLUG	22038	22038	22038
16	R 31-2 STRAIN RELIEF	41735	41735	41735
17	HEAT DEFLECTOR	38995	38995	38995
18	8-32 X 1/4 HX HD WHIZLOCK	42045	42045	42045
19	ACORN NUT #8-32	47702	47702	47702



Rack Assembly - Exterior View

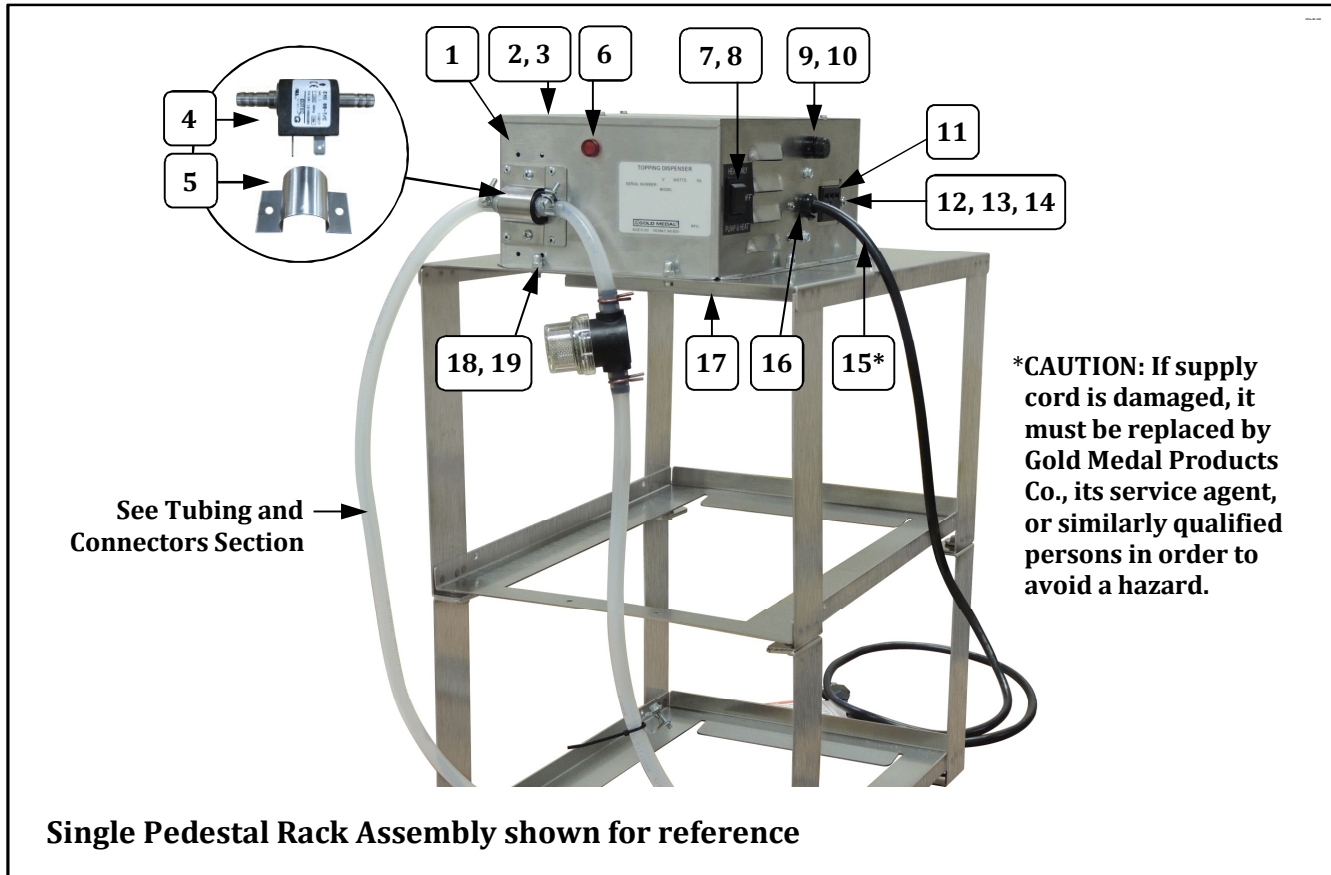


Single Pedestal Rack Assembly shown for reference

Item	Part Description	Part Number		
		2396-00-100 2396-00-110	2396-00-101 2396-00-111	2396-00-140
	COMPLETE RACK ASSEMBLY	77461		
1	CONTROL BOX	79375	79375	79375
2	CONTROL BOX COVER	79377	79377	79377
3	8-32 X 3/8 SLT. HWH M/S (screws to hold cover)	42044	42044	42044
4	B.I.B. BUTTER PUMP	79888	79888	79888
5	RETAINING STRAP	38998	38998	38998
6	RED PILOT LIGHT	41033	41033	41033
7	3 POSITION ROCKER SWITCH	39410	39410	39410
8	SWITCH LABEL	39413	39413	39413
9	FUSE HOLDER	74636	74636	74636
10	1 AMP FUSE	79341	79341	79341
11	SOCKET ASSEMBLY	100299	100299	100299
12	6-32 X 3/8 PHIL PAN M/S (fastens socket assy.)	39000	39000	39000
13	#6 INT. TOOTH L/W 410SS (fastens socket assy.)	39001	39001	39001
14	6-32 M/S NUT 18-8 (fastens socket assy.)	14221	14221	14221
15*	LEAD-IN CORD 15 AMP PLUG	22038	22038	22038
16	R 31-2 STRAIN RELIEF	41735	41735	41735
17	HEAT DEFLECTOR	38995	38995	38995
18	8-32 X 1/4 HX HD WHIZLOCK	42045	42045	42045
19	ACORN NUT #8-32	47702	47702	47702



Rack Assembly - Exterior View

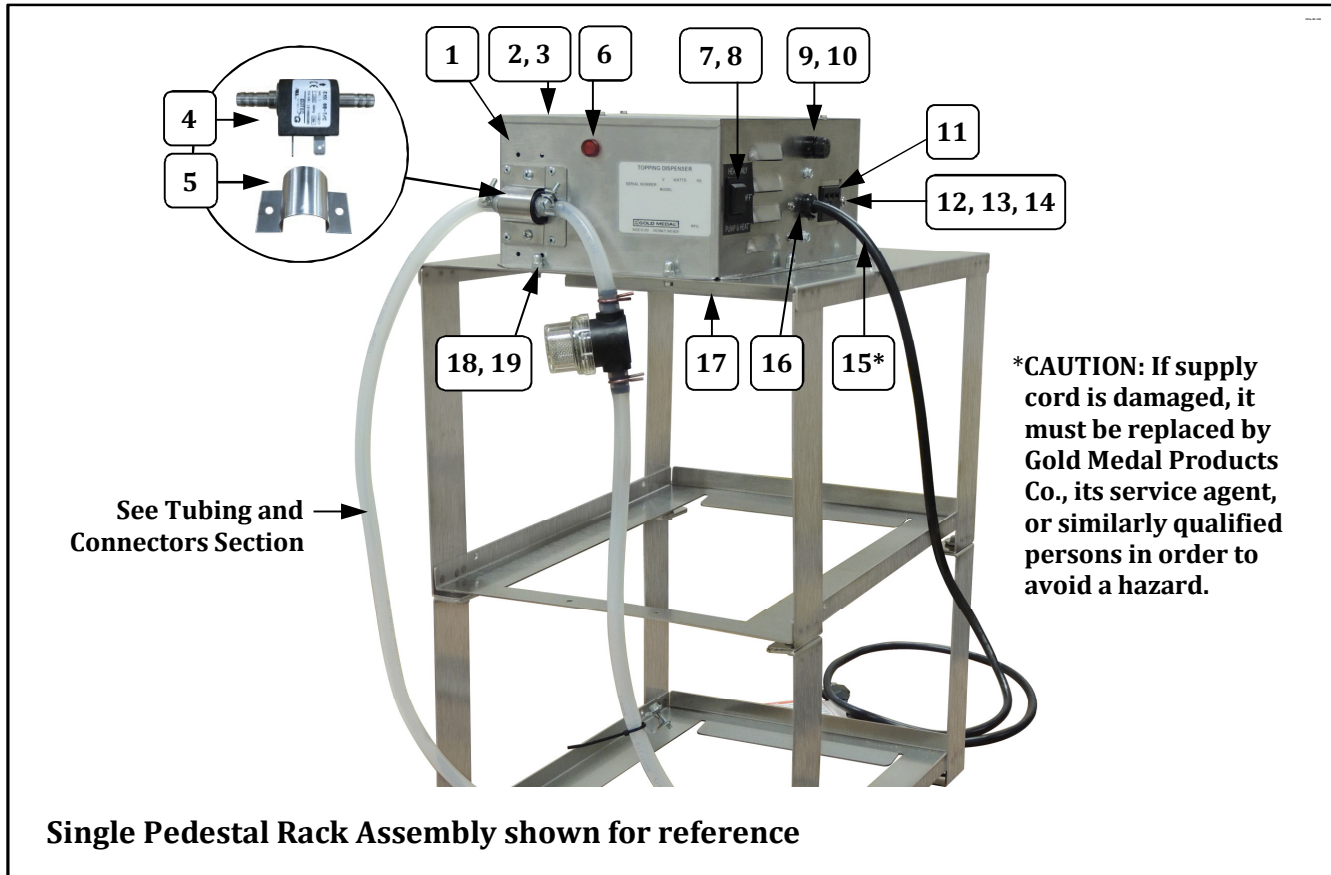


Single Pedestal Rack Assembly shown for reference

Item	Part Description	Part Number		
		2396-00-100 2396-00-110	2396-00-101 2396-00-111	2396-00-140
	COMPLETE RACK ASSEMBLY	77461		
1	CONTROL BOX	79375	79375	79375
2	CONTROL BOX COVER	79377	79377	79377
3	8-32 X 3/8 SLT. HWH M/S (screws to hold cover)	42044	42044	42044
4	B.I.B. BUTTER PUMP	79888	79888	79888
5	RETAINING STRAP	38998	38998	38998
6	RED PILOT LIGHT	41033	41033	41033
7	3 POSITION ROCKER SWITCH	39410	39410	39410
8	SWITCH LABEL	39413	39413	39413
9	FUSE HOLDER	74636	74636	74636
10	1 AMP FUSE	79341	79341	79341
11	SOCKET ASSEMBLY	100299	100299	100299
12	6-32 X 3/8 PHIL PAN M/S (fastens socket assy.)	39000	39000	39000
13	#6 INT. TOOTH L/W 410SS (fastens socket assy.)	39001	39001	39001
14	6-32 M/S NUT 18-8 (fastens socket assy.)	14221	14221	14221
15*	LEAD-IN CORD 15 AMP PLUG	22038	22038	22038
16	R 31-2 STRAIN RELIEF	41735	41735	41735
17	HEAT DEFLECTOR	38995	38995	38995
18	8-32 X 1/4 HX HD WHIZLOCK	42045	42045	42045
19	ACORN NUT #8-32	47702	47702	47702



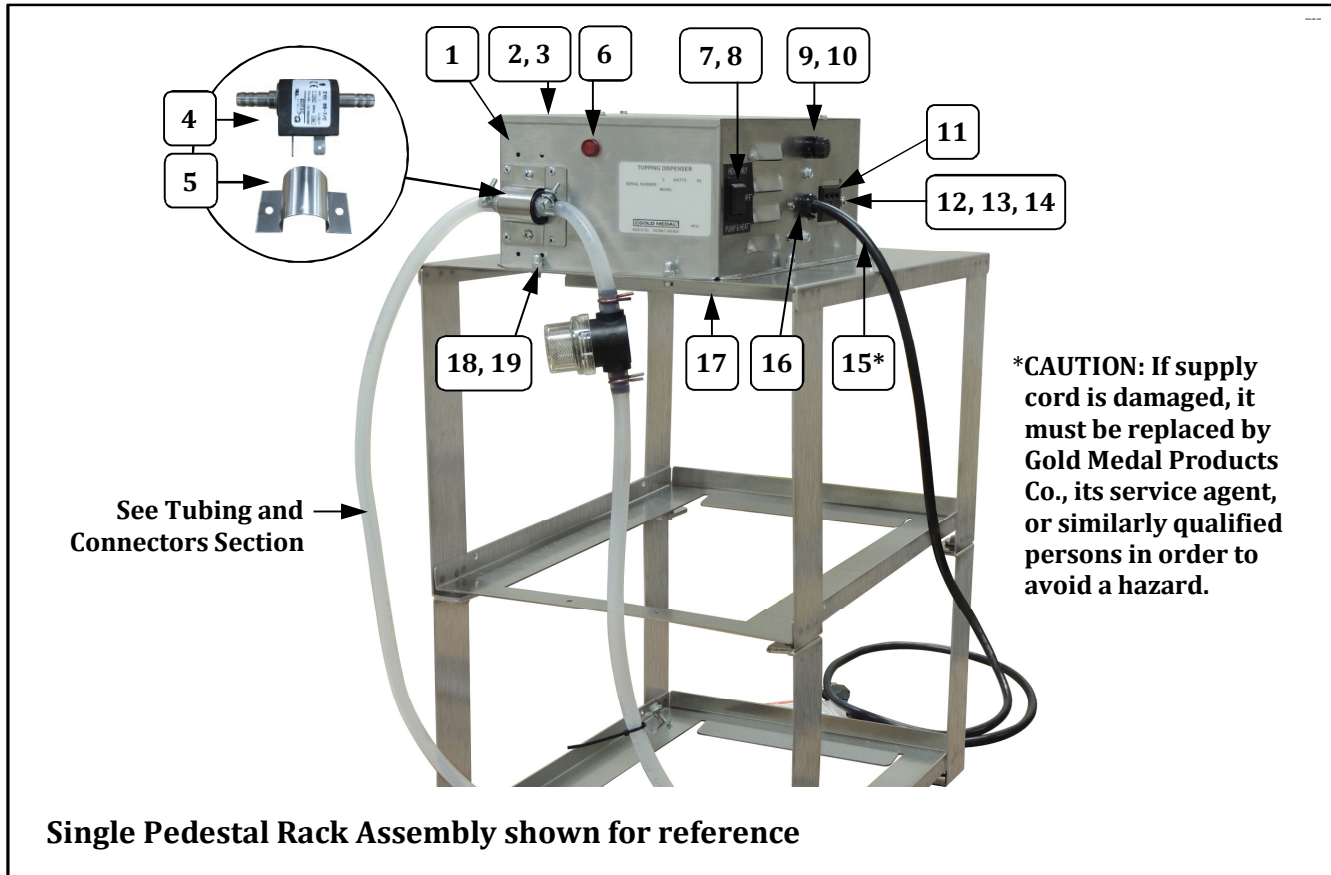
Rack Assembly - Exterior View



Single Pedestal Rack Assembly shown for reference

Item	Part Description	Part Number		
		2396-00-100 2396-00-110	2396-00-101 2396-00-111	2396-00-140
	COMPLETE RACK ASSEMBLY	77461		
1	CONTROL BOX	79375	79375	79375
2	CONTROL BOX COVER	79377	79377	79377
3	8-32 X 3/8 SLT. HWH M/S (screws to hold cover)	42044	42044	42044
4	B.I.B. BUTTER PUMP	79888	79888	79888
5	RETAINING STRAP	38998	38998	38998
6	RED PILOT LIGHT	41033	41033	41033
7	3 POSITION ROCKER SWITCH	39410	39410	39410
8	SWITCH LABEL	39413	39413	39413
9	FUSE HOLDER	74636	74636	74636
10	1 AMP FUSE	79341	79341	79341
11	SOCKET ASSEMBLY	100299	100299	100299
12	6-32 X 3/8 PHIL PAN M/S (fastens socket assy.)	39000	39000	39000
13	#6 INT. TOOTH L/W 410SS (fastens socket assy.)	39001	39001	39001
14	6-32 M/S NUT 18-8 (fastens socket assy.)	14221	14221	14221
15*	LEAD-IN CORD 15 AMP PLUG	22038	22038	22038
16	R 31-2 STRAIN RELIEF	41735	41735	41735
17	HEAT DEFLECTOR	38995	38995	38995
18	8-32 X 1/4 HX HD WHIZLOCK	42045	42045	42045
19	ACORN NUT #8-32	47702	47702	47702

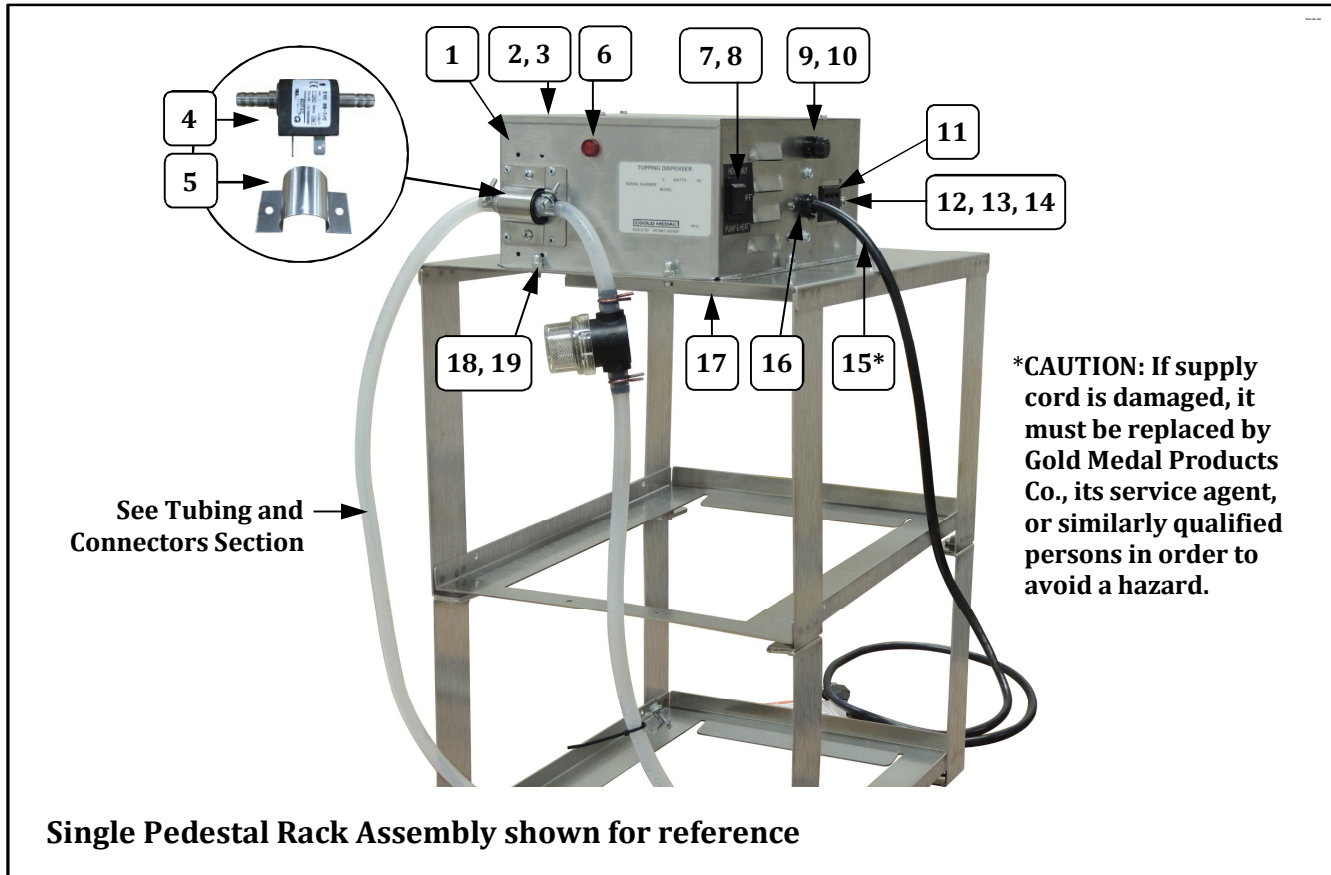
Rack Assembly - Exterior View



Item	Part Description	Part Number		
		2396-00-100 2396-00-110	2396-00-101 2396-00-111	2396-00-140
	COMPLETE RACK ASSEMBLY	77461		
1	CONTROL BOX	79375	79375	79375
2	CONTROL BOX COVER	79377	79377	79377
3	8-32 X 3/8 SLT. HWH M/S (screws to hold cover)	42044	42044	42044
4	B.I.B. BUTTER PUMP	79888	79888	79888
5	RETAINING STRAP	38998	38998	38998
6	RED PILOT LIGHT	41033	41033	41033
7	3 POSITION ROCKER SWITCH	39410	39410	39410
8	SWITCH LABEL	39413	39413	39413
9	FUSE HOLDER	74636	74636	74636
10	1 AMP FUSE	79341	79341	79341
11	SOCKET ASSEMBLY	100299	100299	100299
12	6-32 X 3/8 PHIL PAN M/S (fastens socket assy.)	39000	39000	39000
13	#6 INT. TOOTH L/W 410SS (fastens socket assy.)	39001	39001	39001
14	6-32 M/S NUT 18-8 (fastens socket assy.)	14221	14221	14221
15*	LEAD-IN CORD 15 AMP PLUG	22038	22038	22038
16	R 31-2 STRAIN RELIEF	41735	41735	41735
17	HEAT DEFLECTOR	38995	38995	38995
18	8-32 X 1/4 HX HD WHIZLOCK	42045	42045	42045
19	ACORN NUT #8-32	47702	47702	47702



Rack Assembly - Exterior View

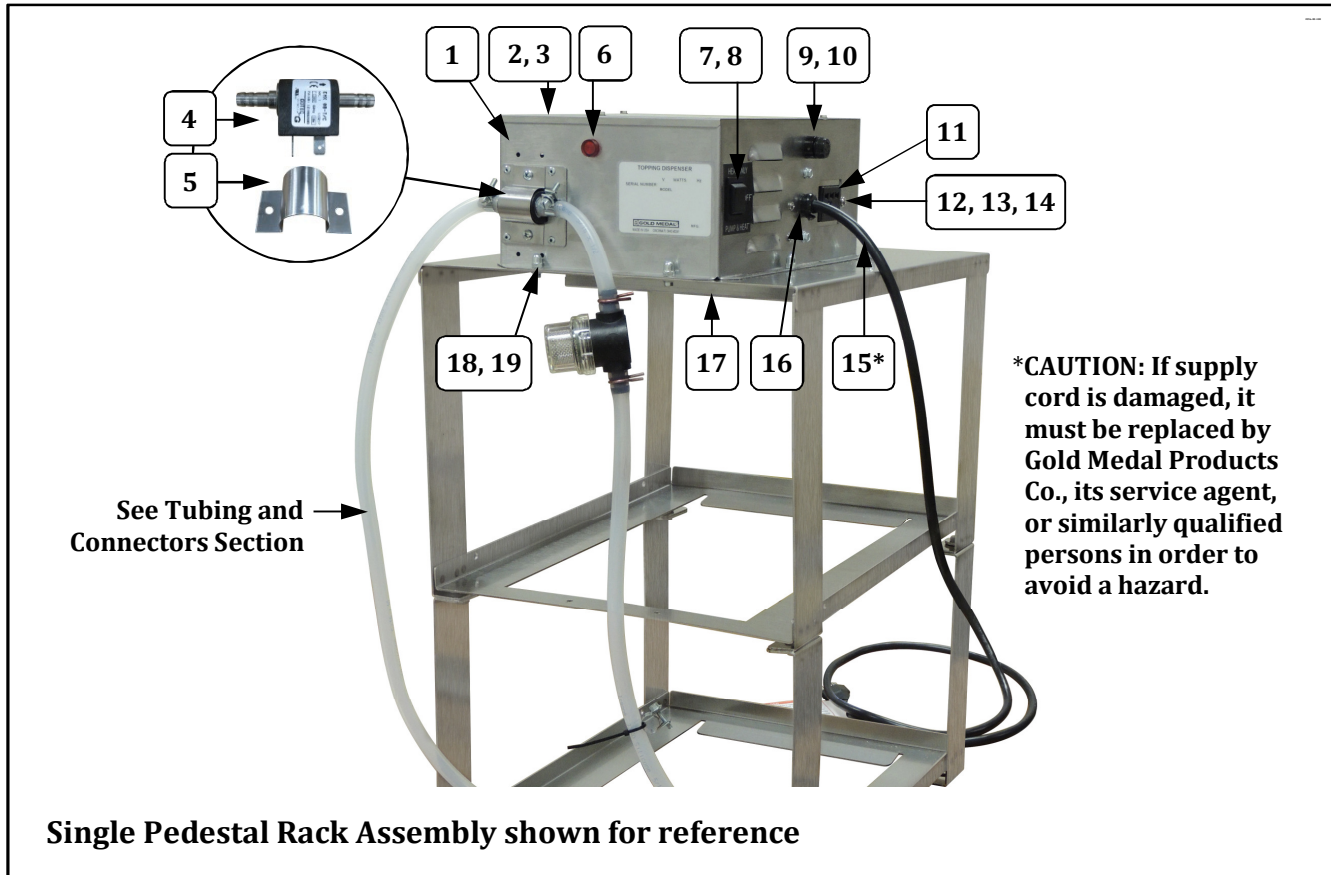


Single Pedestal Rack Assembly shown for reference

Item	Part Description	Part Number		
		2396-00-100 2396-00-110	2396-00-101 2396-00-111	2396-00-140
	COMPLETE RACK ASSEMBLY	77461		
1	CONTROL BOX	79375	79375	79375
2	CONTROL BOX COVER	79377	79377	79377
3	8-32 X 3/8 SLT. HWH M/S (screws to hold cover)	42044	42044	42044
4	B.I.B. BUTTER PUMP	79888	79888	79888
5	RETAINING STRAP	38998	38998	38998
6	RED PILOT LIGHT	41033	41033	41033
7	3 POSITION ROCKER SWITCH	39410	39410	39410
8	SWITCH LABEL	39413	39413	39413
9	FUSE HOLDER	74636	74636	74636
10	1 AMP FUSE	79341	79341	79341
11	SOCKET ASSEMBLY	100299	100299	100299
12	6-32 X 3/8 PHIL PAN M/S (fastens socket assy.)	39000	39000	39000
13	#6 INT. TOOTH L/W 410SS (fastens socket assy.)	39001	39001	39001
14	6-32 M/S NUT 18-8 (fastens socket assy.)	14221	14221	14221
15*	LEAD-IN CORD 15 AMP PLUG	22038	22038	22038
16	R 31-2 STRAIN RELIEF	41735	41735	41735
17	HEAT DEFLECTOR	38995	38995	38995
18	8-32 X 1/4 HX HD WHIZLOCK	42045	42045	42045
19	ACORN NUT #8-32	47702	47702	47702



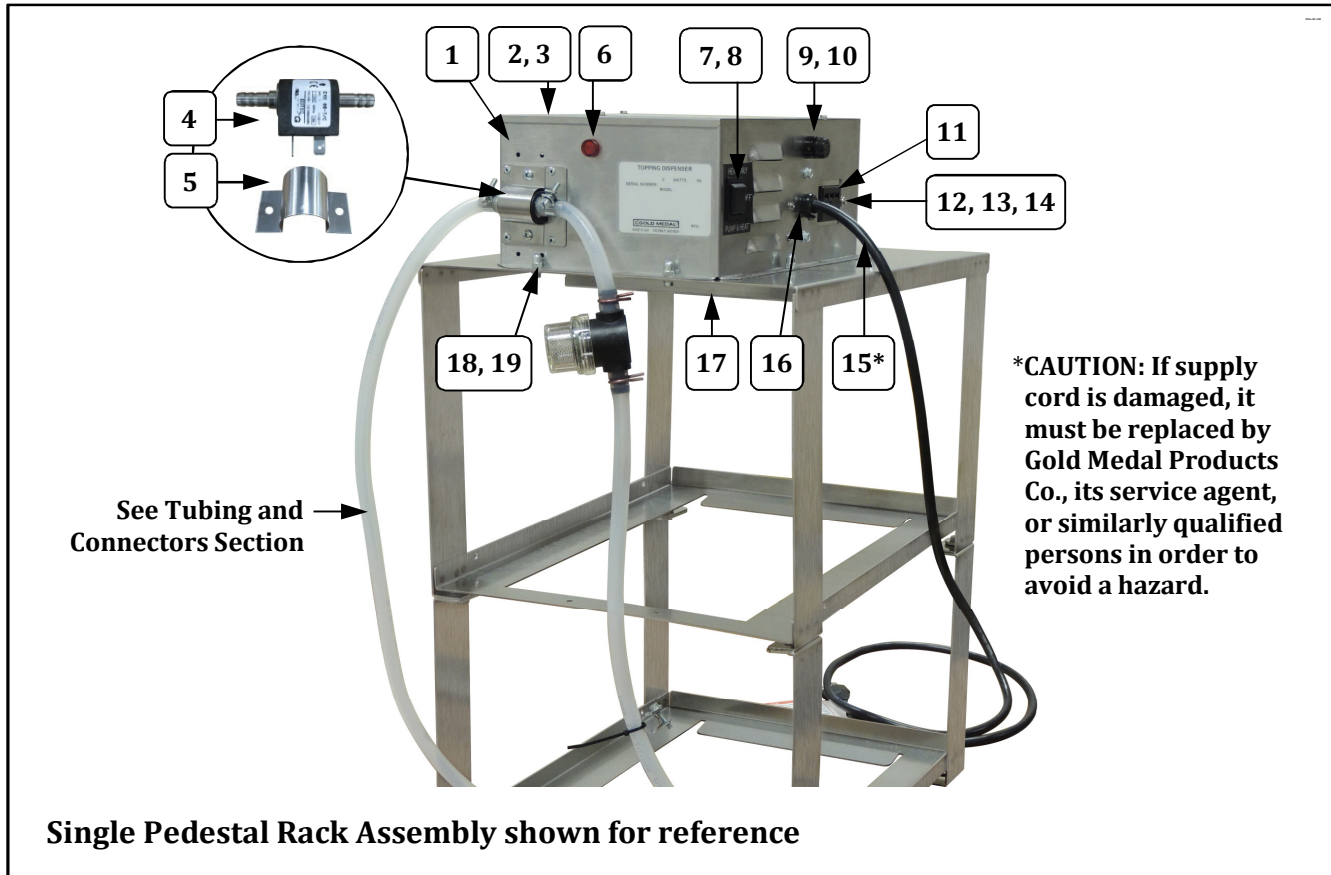
Rack Assembly - Exterior View



Item	Part Description	Part Number		
		2396-00-100 2396-00-110	2396-00-101 2396-00-111	2396-00-140
	COMPLETE RACK ASSEMBLY	77461		
1	CONTROL BOX	79375	79375	79375
2	CONTROL BOX COVER	79377	79377	79377
3	8-32 X 3/8 SLT. HWH M/S (screws to hold cover)	42044	42044	42044
4	B.I.B. BUTTER PUMP	79888	79888	79888
5	RETAINING STRAP	38998	38998	38998
6	RED PILOT LIGHT	41033	41033	41033
7	3 POSITION ROCKER SWITCH	39410	39410	39410
8	SWITCH LABEL	39413	39413	39413
9	FUSE HOLDER	74636	74636	74636
10	1 AMP FUSE	79341	79341	79341
11	SOCKET ASSEMBLY	100299	100299	100299
12	6-32 X 3/8 PHIL PAN M/S (fastens socket assy.)	39000	39000	39000
13	#6 INT. TOOTH L/W 410SS (fastens socket assy.)	39001	39001	39001
14	6-32 M/S NUT 18-8 (fastens socket assy.)	14221	14221	14221
15*	LEAD-IN CORD 15 AMP PLUG	22038	22038	22038
16	R 31-2 STRAIN RELIEF	41735	41735	41735
17	HEAT DEFLECTOR	38995	38995	38995
18	8-32 X 1/4 HX HD WHIZLOCK	42045	42045	42045
19	ACORN NUT #8-32	47702	47702	47702



Rack Assembly - Exterior View

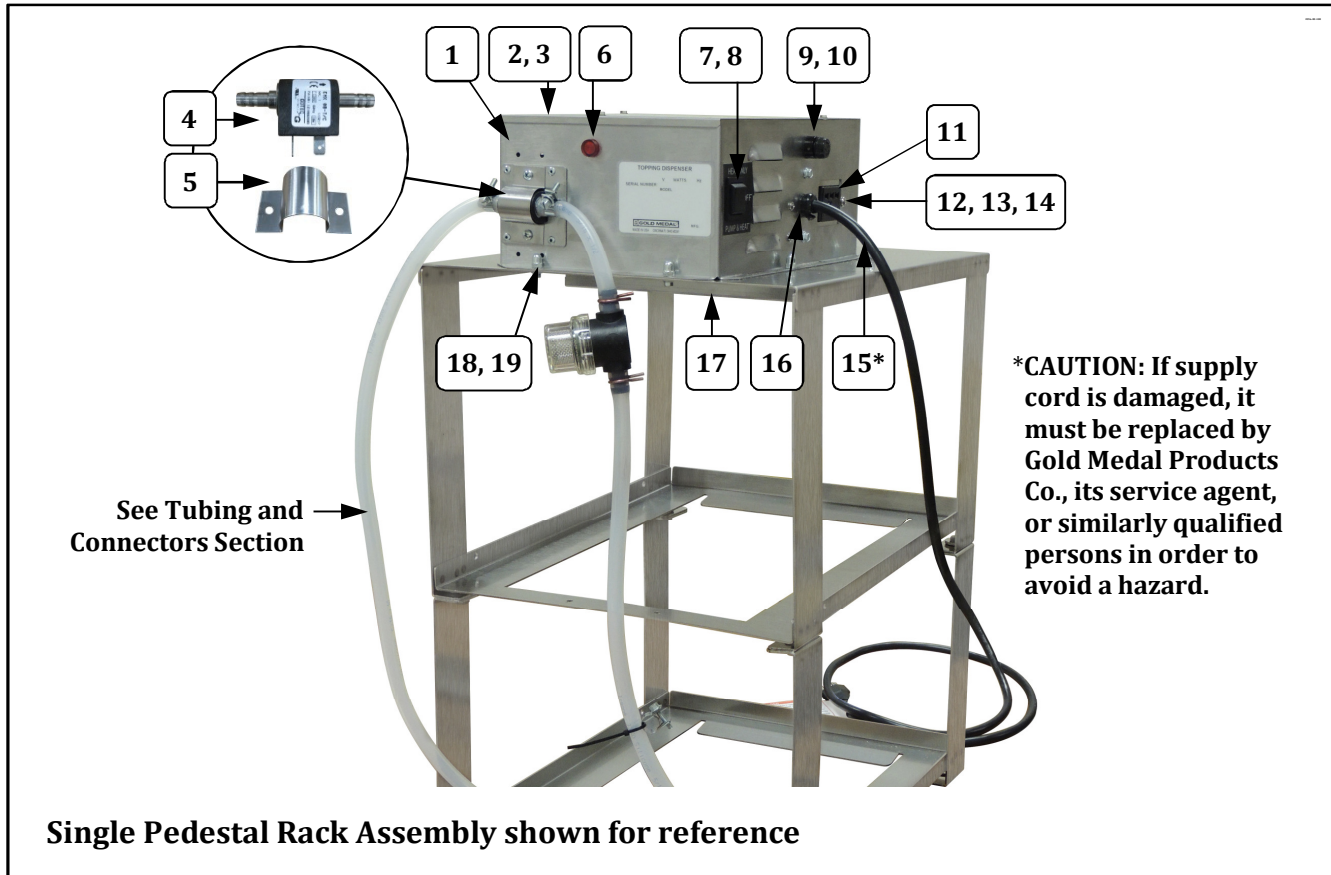


Single Pedestal Rack Assembly shown for reference

Item	Part Description	Part Number		
		2396-00-100 2396-00-110	2396-00-101 2396-00-111	2396-00-140
	COMPLETE RACK ASSEMBLY	77461		
1	CONTROL BOX	79375	79375	79375
2	CONTROL BOX COVER	79377	79377	79377
3	8-32 X 3/8 SLT. HWH M/S (screws to hold cover)	42044	42044	42044
4	B.I.B. BUTTER PUMP	79888	79888	79888
5	RETAINING STRAP	38998	38998	38998
6	RED PILOT LIGHT	41033	41033	41033
7	3 POSITION ROCKER SWITCH	39410	39410	39410
8	SWITCH LABEL	39413	39413	39413
9	FUSE HOLDER	74636	74636	74636
10	1 AMP FUSE	79341	79341	79341
11	SOCKET ASSEMBLY	100299	100299	100299
12	6-32 X 3/8 PHIL PAN M/S (fastens socket assy.)	39000	39000	39000
13	#6 INT. TOOTH L/W 410SS (fastens socket assy.)	39001	39001	39001
14	6-32 M/S NUT 18-8 (fastens socket assy.)	14221	14221	14221
15*	LEAD-IN CORD 15 AMP PLUG	22038	22038	22038
16	R 31-2 STRAIN RELIEF	41735	41735	41735
17	HEAT DEFLECTOR	38995	38995	38995
18	8-32 X 1/4 HX HD WHIZLOCK	42045	42045	42045
19	ACORN NUT #8-32	47702	47702	47702



Rack Assembly - Exterior View

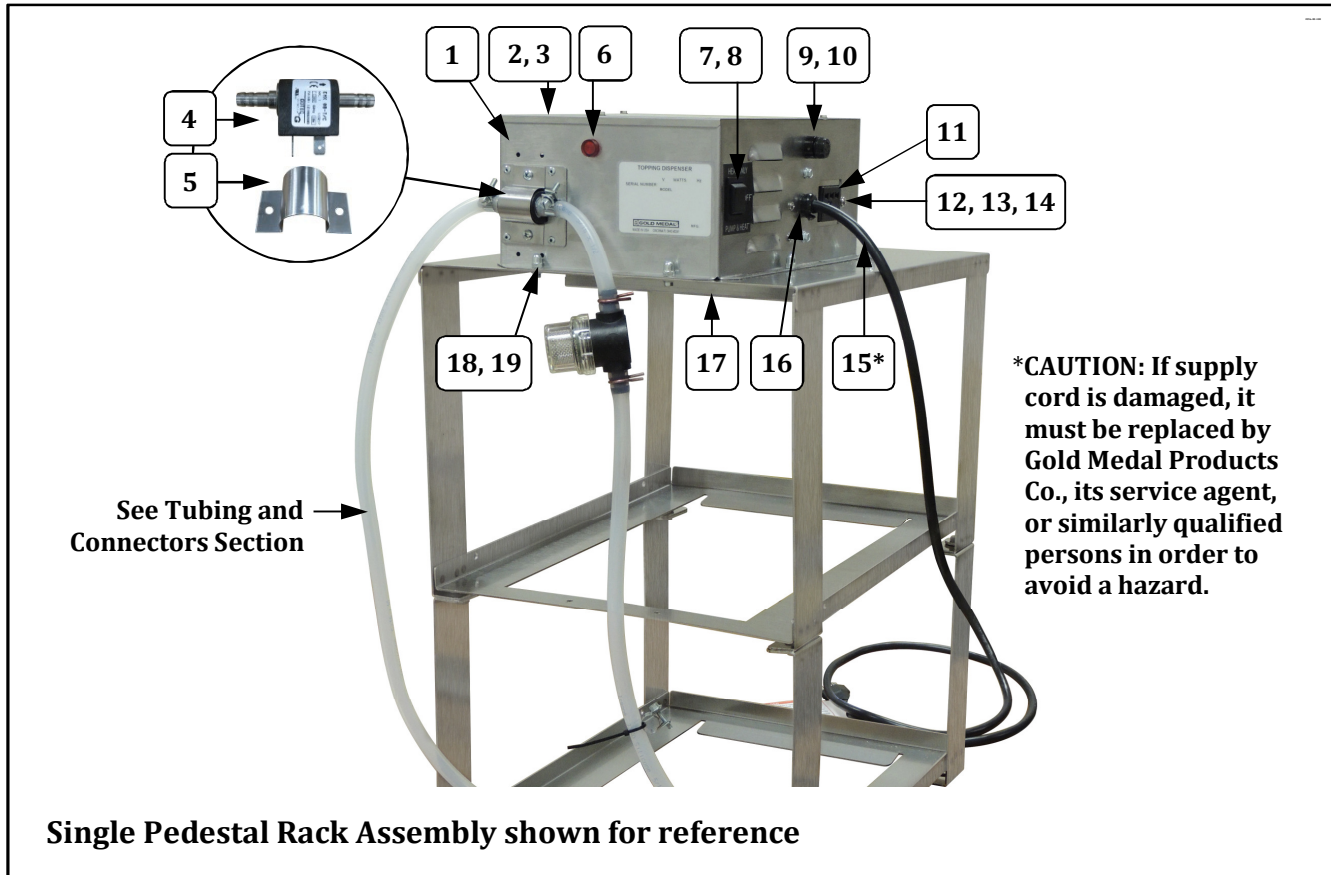


Single Pedestal Rack Assembly shown for reference

Item	Part Description	Part Number		
		2396-00-100 2396-00-110	2396-00-101 2396-00-111	2396-00-140
	COMPLETE RACK ASSEMBLY	77461		
1	CONTROL BOX	79375	79375	79375
2	CONTROL BOX COVER	79377	79377	79377
3	8-32 X 3/8 SLT. HWH M/S (screws to hold cover)	42044	42044	42044
4	B.I.B. BUTTER PUMP	79888	79888	79888
5	RETAINING STRAP	38998	38998	38998
6	RED PILOT LIGHT	41033	41033	41033
7	3 POSITION ROCKER SWITCH	39410	39410	39410
8	SWITCH LABEL	39413	39413	39413
9	FUSE HOLDER	74636	74636	74636
10	1 AMP FUSE	79341	79341	79341
11	SOCKET ASSEMBLY	100299	100299	100299
12	6-32 X 3/8 PHIL PAN M/S (fastens socket assy.)	39000	39000	39000
13	#6 INT. TOOTH L/W 410SS (fastens socket assy.)	39001	39001	39001
14	6-32 M/S NUT 18-8 (fastens socket assy.)	14221	14221	14221
15*	LEAD-IN CORD 15 AMP PLUG	22038	22038	22038
16	R 31-2 STRAIN RELIEF	41735	41735	41735
17	HEAT DEFLECTOR	38995	38995	38995
18	8-32 X 1/4 HX HD WHIZLOCK	42045	42045	42045
19	ACORN NUT #8-32	47702	47702	47702



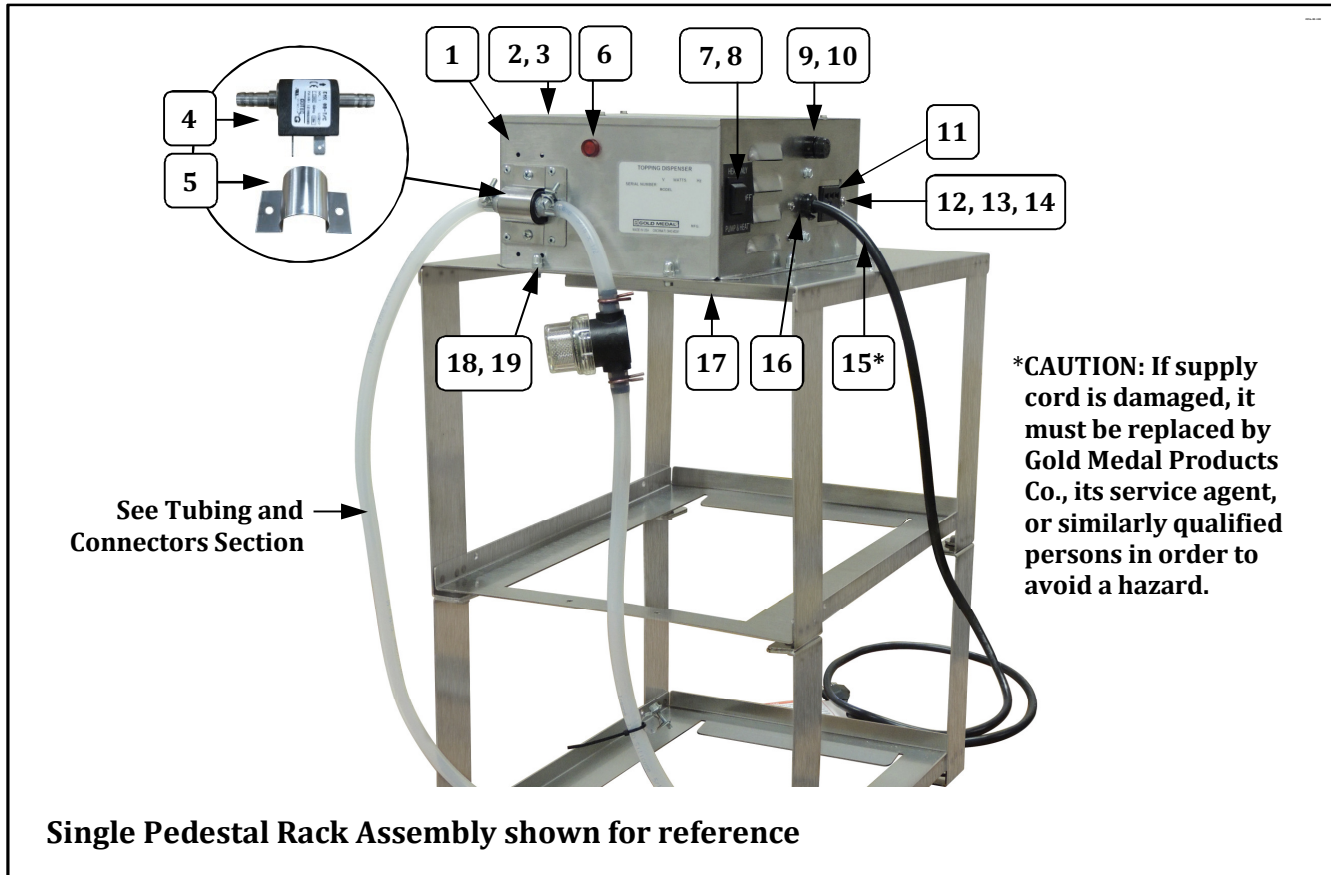
Rack Assembly - Exterior View



Item	Part Description	Part Number		
		2396-00-100 2396-00-110	2396-00-101 2396-00-111	2396-00-140
	COMPLETE RACK ASSEMBLY	77461		
1	CONTROL BOX	79375	79375	79375
2	CONTROL BOX COVER	79377	79377	79377
3	8-32 X 3/8 SLT. HWH M/S (screws to hold cover)	42044	42044	42044
4	B.I.B. BUTTER PUMP	79888	79888	79888
5	RETAINING STRAP	38998	38998	38998
6	RED PILOT LIGHT	41033	41033	41033
7	3 POSITION ROCKER SWITCH	39410	39410	39410
8	SWITCH LABEL	39413	39413	39413
9	FUSE HOLDER	74636	74636	74636
10	1 AMP FUSE	79341	79341	79341
11	SOCKET ASSEMBLY	100299	100299	100299
12	6-32 X 3/8 PHIL PAN M/S (fastens socket assy.)	39000	39000	39000
13	#6 INT. TOOTH L/W 410SS (fastens socket assy.)	39001	39001	39001
14	6-32 M/S NUT 18-8 (fastens socket assy.)	14221	14221	14221
15*	LEAD-IN CORD 15 AMP PLUG	22038	22038	22038
16	R 31-2 STRAIN RELIEF	41735	41735	41735
17	HEAT DEFLECTOR	38995	38995	38995
18	8-32 X 1/4 HX HD WHIZLOCK	42045	42045	42045
19	ACORN NUT #8-32	47702	47702	47702



Rack Assembly - Exterior View

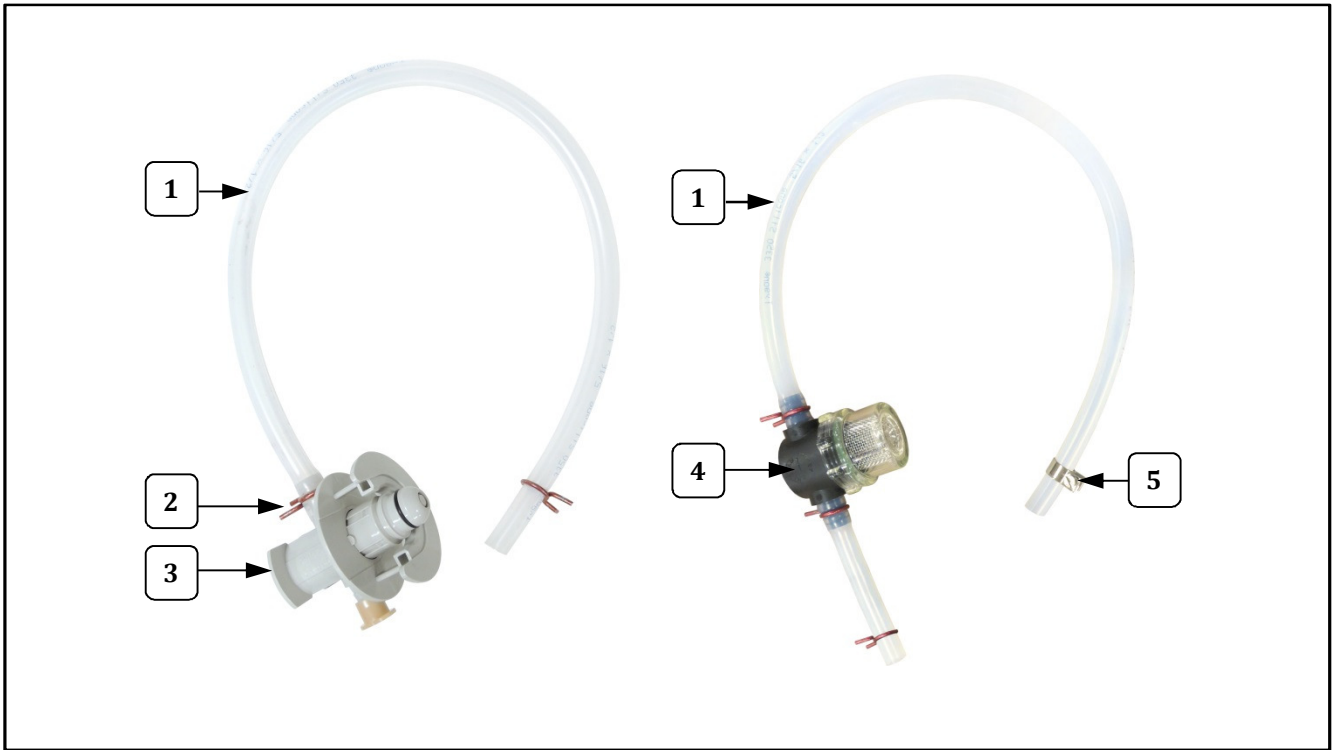


Single Pedestal Rack Assembly shown for reference

Item	Part Description	Part Number		
		2396-00-100 2396-00-110	2396-00-101 2396-00-111	2396-00-140
	COMPLETE RACK ASSEMBLY	77461		
1	CONTROL BOX	79375	79375	79375
2	CONTROL BOX COVER	79377	79377	79377
3	8-32 X 3/8 SLT. HWH M/S (screws to hold cover)	42044	42044	42044
4	B.I.B. BUTTER PUMP	79888	79888	79888
5	RETAINING STRAP	38998	38998	38998
6	RED PILOT LIGHT	41033	41033	41033
7	3 POSITION ROCKER SWITCH	39410	39410	39410
8	SWITCH LABEL	39413	39413	39413
9	FUSE HOLDER	74636	74636	74636
10	1 AMP FUSE	79341	79341	79341
11	SOCKET ASSEMBLY	100299	100299	100299
12	6-32 X 3/8 PHIL PAN M/S (fastens socket assy.)	39000	39000	39000
13	#6 INT. TOOTH L/W 410SS (fastens socket assy.)	39001	39001	39001
14	6-32 M/S NUT 18-8 (fastens socket assy.)	14221	14221	14221
15*	LEAD-IN CORD 15 AMP PLUG	22038	22038	22038
16	R 31-2 STRAIN RELIEF	41735	41735	41735
17	HEAT DEFLECTOR	38995	38995	38995
18	8-32 X 1/4 HX HD WHIZLOCK	42045	42045	42045
19	ACORN NUT #8-32	47702	47702	47702

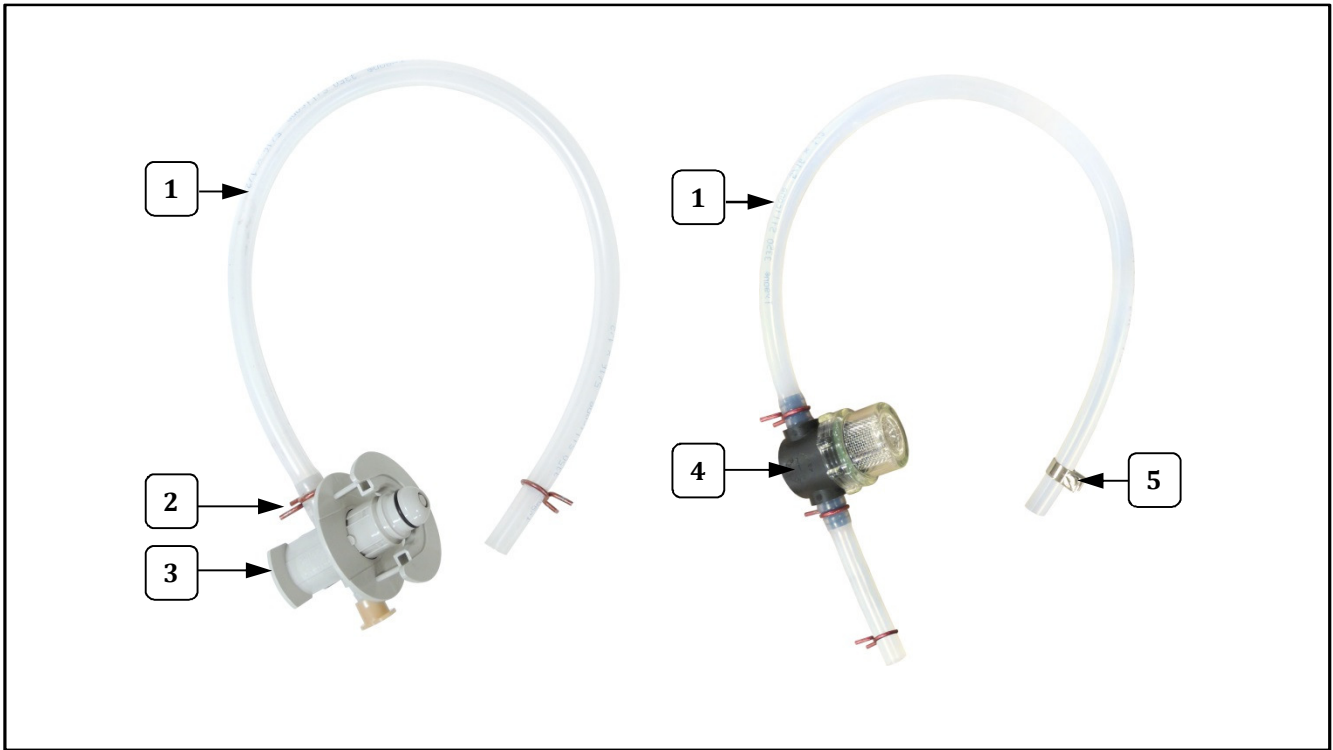


Tubing and Connectors



Item	Part Description	Part Number
1	FOOD TUBING (replacement tubing is sold by the foot)	91375
2	SINGLE WIRE HOSE CLAMP	75110
3	UNIVERSAL BAG CONNECTOR	79100G
4	IN LINE STRAINER	79269
5	HOSE CLAMP	67843

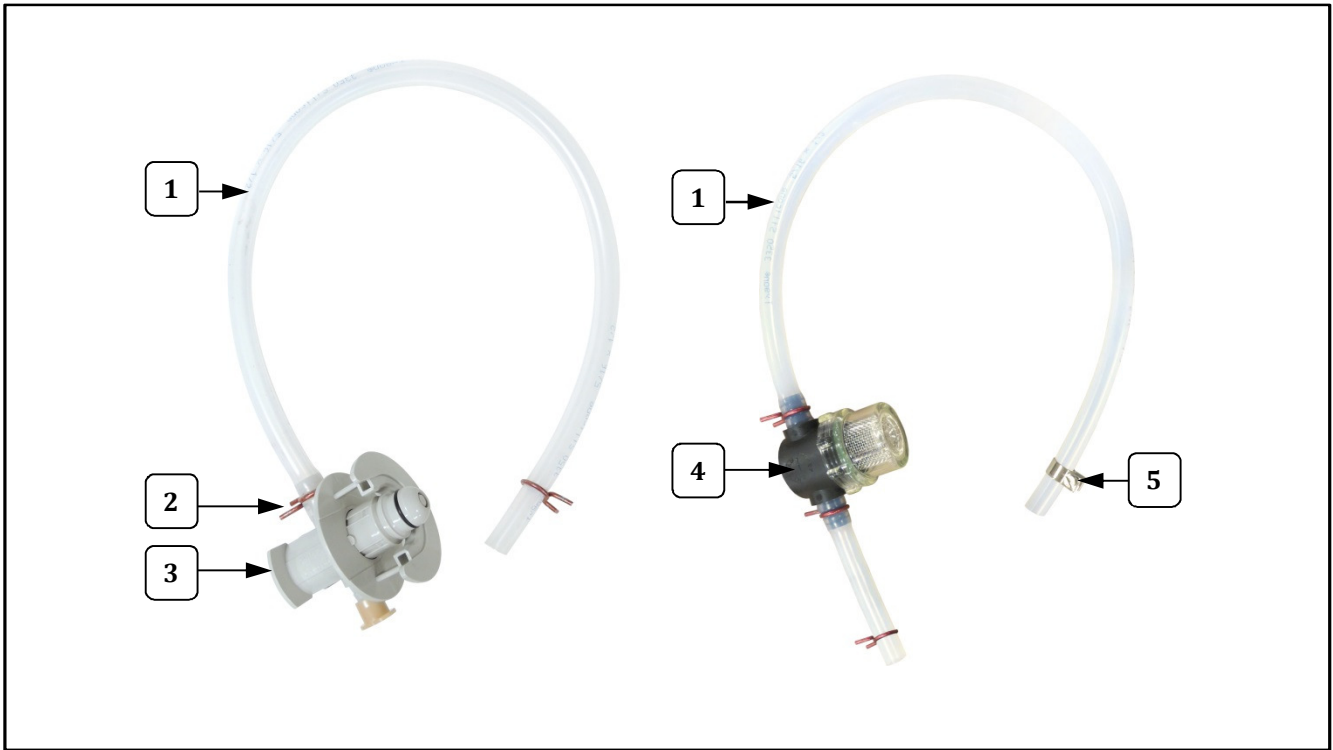
Tubing and Connectors



Item	Part Description	Part Number
1	FOOD TUBING (replacement tubing is sold by the foot)	91375
2	SINGLE WIRE HOSE CLAMP	75110
3	UNIVERSAL BAG CONNECTOR	79100G
4	IN LINE STRAINER	79269
5	HOSE CLAMP	67843

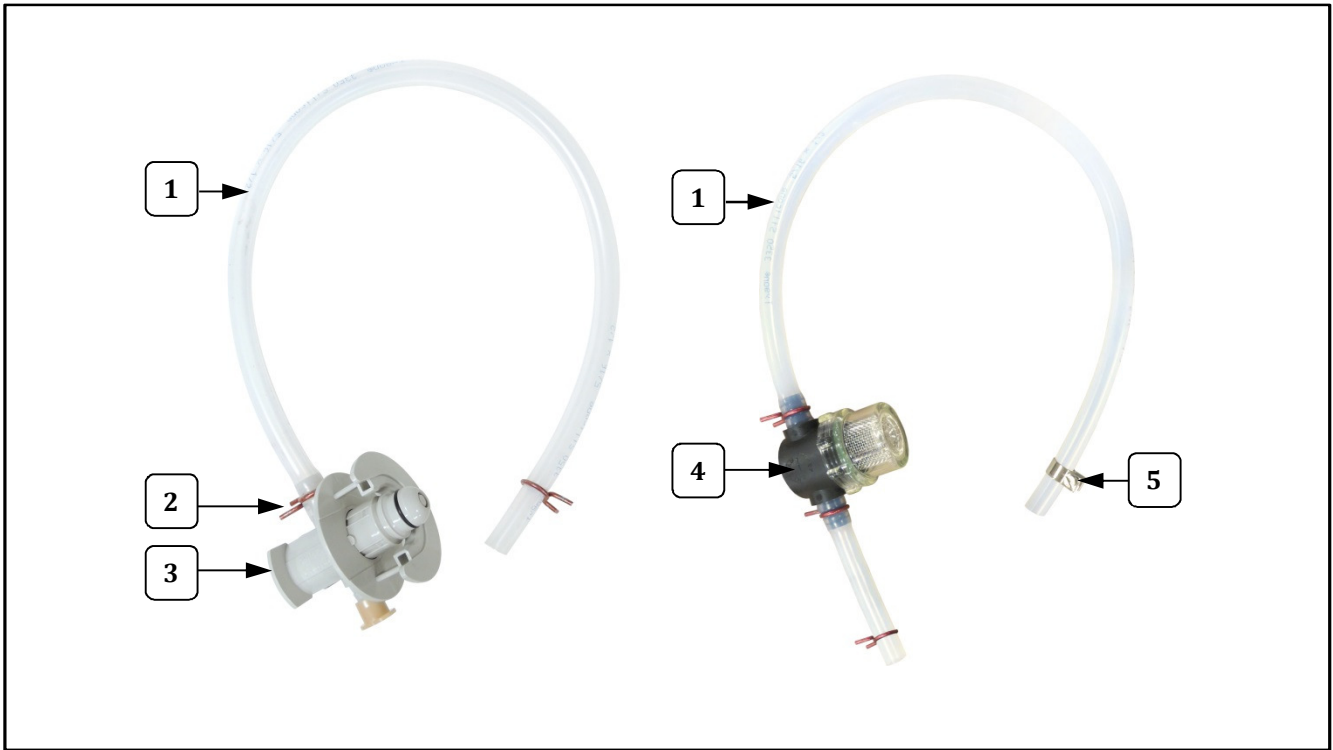


Tubing and Connectors



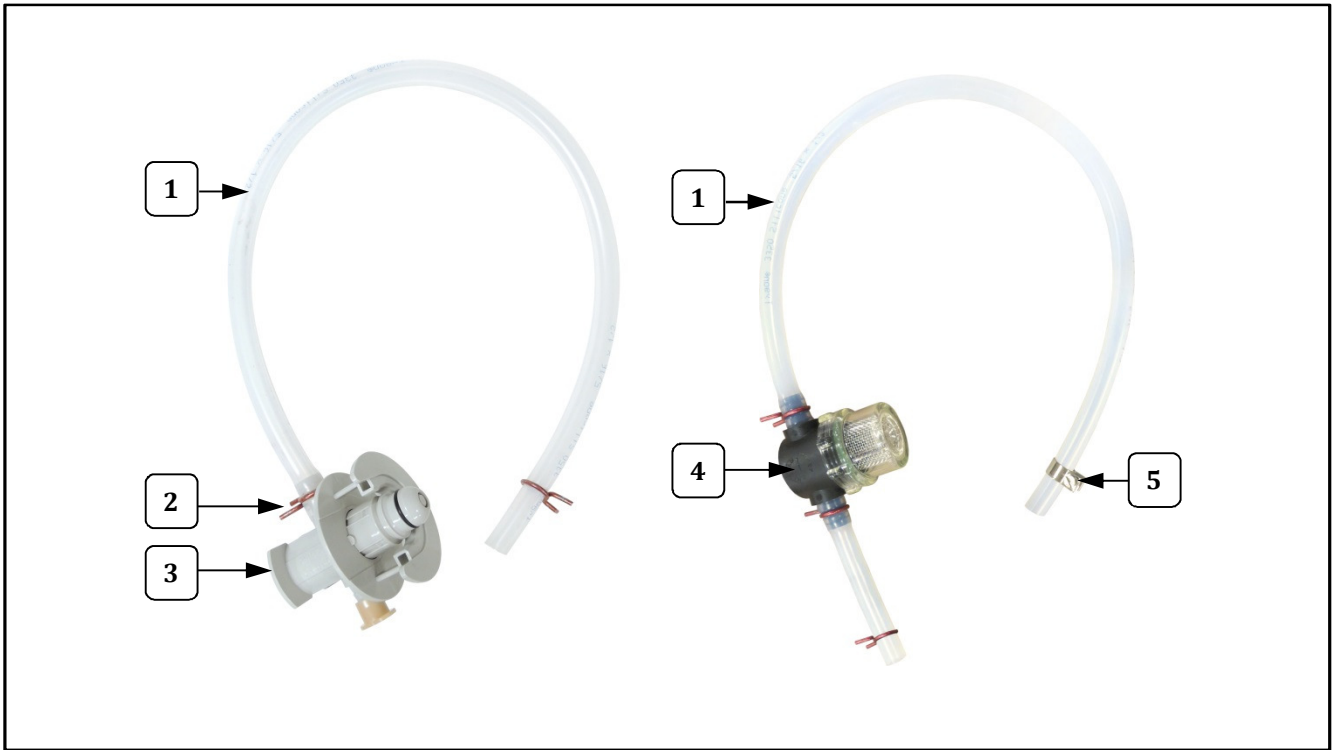
Item	Part Description	Part Number
1	FOOD TUBING (replacement tubing is sold by the foot)	91375
2	SINGLE WIRE HOSE CLAMP	75110
3	UNIVERSAL BAG CONNECTOR	79100G
4	IN LINE STRAINER	79269
5	HOSE CLAMP	67843

Tubing and Connectors



Item	Part Description	Part Number
1	FOOD TUBING (replacement tubing is sold by the foot)	91375
2	SINGLE WIRE HOSE CLAMP	75110
3	UNIVERSAL BAG CONNECTOR	79100G
4	IN LINE STRAINER	79269
5	HOSE CLAMP	67843

Tubing and Connectors



Item	Part Description	Part Number
1	FOOD TUBING (replacement tubing is sold by the foot)	91375
2	SINGLE WIRE HOSE CLAMP	75110
3	UNIVERSAL BAG CONNECTOR	79100G
4	IN LINE STRAINER	79269
5	HOSE CLAMP	67843



Rack Assembly - Control Box Interior – Parts List

Item	Part Description	Part Number
		All Models
1	120 VOLT 60 CY BLOWER	48018
2	250 WATT 120 VOLT HEAT ELEMENT	38824
3	EXHAUST BLOWER PLUG AND CORD	47199
4	8-32 X 2 PH PAN M/S 18-8	39012
5	#8 INT. TOOTH L/W 410SS	12132
6	HEX NUT #8-32 STAINLESS	89129
7	B.I.B. BUTTER PUMP	79888
8	PILOT LIGHT-125V RED	41033
9	3 POSITION ROCKER SWITCH	39410
10	150 OHM RESISTOR AND DIODE ASSY	55443
11	6-32 X 3/8 PHIL PAN M/S	39000
12	6-32 M/S NUT 18-8	14221
13	THERMOSTAT 135F	38990
14	FUSE HOLDER	74636
15	1 AMP FUSE	79341
16	SOCKET ASSEMBLY	100299



Rack Assembly - Control Box Interior – Parts List

Item	Part Description	Part Number
		All Models
1	120 VOLT 60 CY BLOWER	48018
2	250 WATT 120 VOLT HEAT ELEMENT	38824
3	EXHAUST BLOWER PLUG AND CORD	47199
4	8-32 X 2 PH PAN M/S 18-8	39012
5	#8 INT. TOOTH L/W 410SS	12132
6	HEX NUT #8-32 STAINLESS	89129
7	B.I.B. BUTTER PUMP	79888
8	PILOT LIGHT-125V RED	41033
9	3 POSITION ROCKER SWITCH	39410
10	150 OHM RESISTOR AND DIODE ASSY	55443
11	6-32 X 3/8 PHIL PAN M/S	39000
12	6-32 M/S NUT 18-8	14221
13	THERMOSTAT 135F	38990
14	FUSE HOLDER	74636
15	1 AMP FUSE	79341
16	SOCKET ASSEMBLY	100299



Rack Assembly - Control Box Interior – Parts List

Item	Part Description	Part Number
		All Models
1	120 VOLT 60 CY BLOWER	48018
2	250 WATT 120 VOLT HEAT ELEMENT	38824
3	EXHAUST BLOWER PLUG AND CORD	47199
4	8-32 X 2 PH PAN M/S 18-8	39012
5	#8 INT. TOOTH L/W 410SS	12132
6	HEX NUT #8-32 STAINLESS	89129
7	B.I.B. BUTTER PUMP	79888
8	PILOT LIGHT-125V RED	41033
9	3 POSITION ROCKER SWITCH	39410
10	150 OHM RESISTOR AND DIODE ASSY	55443
11	6-32 X 3/8 PHIL PAN M/S	39000
12	6-32 M/S NUT 18-8	14221
13	THERMOSTAT 135F	38990
14	FUSE HOLDER	74636
15	1 AMP FUSE	79341
16	SOCKET ASSEMBLY	100299



Rack Assembly - Control Box Interior – Parts List

Item	Part Description	Part Number
		All Models
1	120 VOLT 60 CY BLOWER	48018
2	250 WATT 120 VOLT HEAT ELEMENT	38824
3	EXHAUST BLOWER PLUG AND CORD	47199
4	8-32 X 2 PH PAN M/S 18-8	39012
5	#8 INT. TOOTH L/W 410SS	12132
6	HEX NUT #8-32 STAINLESS	89129
7	B.I.B. BUTTER PUMP	79888
8	PILOT LIGHT-125V RED	41033
9	3 POSITION ROCKER SWITCH	39410
10	150 OHM RESISTOR AND DIODE ASSY	55443
11	6-32 X 3/8 PHIL PAN M/S	39000
12	6-32 M/S NUT 18-8	14221
13	THERMOSTAT 135F	38990
14	FUSE HOLDER	74636
15	1 AMP FUSE	79341
16	SOCKET ASSEMBLY	100299



Rack Assembly - Control Box Interior – Parts List

Item	Part Description	Part Number
		All Models
1	120 VOLT 60 CY BLOWER	48018
2	250 WATT 120 VOLT HEAT ELEMENT	38824
3	EXHAUST BLOWER PLUG AND CORD	47199
4	8-32 X 2 PH PAN M/S 18-8	39012
5	#8 INT. TOOTH L/W 410SS	12132
6	HEX NUT #8-32 STAINLESS	89129
7	B.I.B. BUTTER PUMP	79888
8	PILOT LIGHT-125V RED	41033
9	3 POSITION ROCKER SWITCH	39410
10	150 OHM RESISTOR AND DIODE ASSY	55443
11	6-32 X 3/8 PHIL PAN M/S	39000
12	6-32 M/S NUT 18-8	14221
13	THERMOSTAT 135F	38990
14	FUSE HOLDER	74636
15	1 AMP FUSE	79341
16	SOCKET ASSEMBLY	100299



Rack Assembly - Control Box Interior – Parts List

Item	Part Description	Part Number
		All Models
1	120 VOLT 60 CY BLOWER	48018
2	250 WATT 120 VOLT HEAT ELEMENT	38824
3	EXHAUST BLOWER PLUG AND CORD	47199
4	8-32 X 2 PH PAN M/S 18-8	39012
5	#8 INT. TOOTH L/W 410SS	12132
6	HEX NUT #8-32 STAINLESS	89129
7	B.I.B. BUTTER PUMP	79888
8	PILOT LIGHT-125V RED	41033
9	3 POSITION ROCKER SWITCH	39410
10	150 OHM RESISTOR AND DIODE ASSY	55443
11	6-32 X 3/8 PHIL PAN M/S	39000
12	6-32 M/S NUT 18-8	14221
13	THERMOSTAT 135F	38990
14	FUSE HOLDER	74636
15	1 AMP FUSE	79341
16	SOCKET ASSEMBLY	100299



Rack Assembly - Control Box Interior – Parts List

Item	Part Description	Part Number
		All Models
1	120 VOLT 60 CY BLOWER	48018
2	250 WATT 120 VOLT HEAT ELEMENT	38824
3	EXHAUST BLOWER PLUG AND CORD	47199
4	8-32 X 2 PH PAN M/S 18-8	39012
5	#8 INT. TOOTH L/W 410SS	12132
6	HEX NUT #8-32 STAINLESS	89129
7	B.I.B. BUTTER PUMP	79888
8	PILOT LIGHT-125V RED	41033
9	3 POSITION ROCKER SWITCH	39410
10	150 OHM RESISTOR AND DIODE ASSY	55443
11	6-32 X 3/8 PHIL PAN M/S	39000
12	6-32 M/S NUT 18-8	14221
13	THERMOSTAT 135F	38990
14	FUSE HOLDER	74636
15	1 AMP FUSE	79341
16	SOCKET ASSEMBLY	100299



Rack Assembly - Control Box Interior – Parts List

Item	Part Description	Part Number
		All Models
1	120 VOLT 60 CY BLOWER	48018
2	250 WATT 120 VOLT HEAT ELEMENT	38824
3	EXHAUST BLOWER PLUG AND CORD	47199
4	8-32 X 2 PH PAN M/S 18-8	39012
5	#8 INT. TOOTH L/W 410SS	12132
6	HEX NUT #8-32 STAINLESS	89129
7	B.I.B. BUTTER PUMP	79888
8	PILOT LIGHT-125V RED	41033
9	3 POSITION ROCKER SWITCH	39410
10	150 OHM RESISTOR AND DIODE ASSY	55443
11	6-32 X 3/8 PHIL PAN M/S	39000
12	6-32 M/S NUT 18-8	14221
13	THERMOSTAT 135F	38990
14	FUSE HOLDER	74636
15	1 AMP FUSE	79341
16	SOCKET ASSEMBLY	100299



Rack Assembly - Control Box Interior – Parts List

Item	Part Description	Part Number
		All Models
1	120 VOLT 60 CY BLOWER	48018
2	250 WATT 120 VOLT HEAT ELEMENT	38824
3	EXHAUST BLOWER PLUG AND CORD	47199
4	8-32 X 2 PH PAN M/S 18-8	39012
5	#8 INT. TOOTH L/W 410SS	12132
6	HEX NUT #8-32 STAINLESS	89129
7	B.I.B. BUTTER PUMP	79888
8	PILOT LIGHT-125V RED	41033
9	3 POSITION ROCKER SWITCH	39410
10	150 OHM RESISTOR AND DIODE ASSY	55443
11	6-32 X 3/8 PHIL PAN M/S	39000
12	6-32 M/S NUT 18-8	14221
13	THERMOSTAT 135F	38990
14	FUSE HOLDER	74636
15	1 AMP FUSE	79341
16	SOCKET ASSEMBLY	100299



Rack Assembly - Control Box Interior – Parts List

Item	Part Description	Part Number
		All Models
1	120 VOLT 60 CY BLOWER	48018
2	250 WATT 120 VOLT HEAT ELEMENT	38824
3	EXHAUST BLOWER PLUG AND CORD	47199
4	8-32 X 2 PH PAN M/S 18-8	39012
5	#8 INT. TOOTH L/W 410SS	12132
6	HEX NUT #8-32 STAINLESS	89129
7	B.I.B. BUTTER PUMP	79888
8	PILOT LIGHT-125V RED	41033
9	3 POSITION ROCKER SWITCH	39410
10	150 OHM RESISTOR AND DIODE ASSY	55443
11	6-32 X 3/8 PHIL PAN M/S	39000
12	6-32 M/S NUT 18-8	14221
13	THERMOSTAT 135F	38990
14	FUSE HOLDER	74636
15	1 AMP FUSE	79341
16	SOCKET ASSEMBLY	100299



Rack Assembly - Control Box Interior – Parts List

Item	Part Description	Part Number
		All Models
1	120 VOLT 60 CY BLOWER	48018
2	250 WATT 120 VOLT HEAT ELEMENT	38824
3	EXHAUST BLOWER PLUG AND CORD	47199
4	8-32 X 2 PH PAN M/S 18-8	39012
5	#8 INT. TOOTH L/W 410SS	12132
6	HEX NUT #8-32 STAINLESS	89129
7	B.I.B. BUTTER PUMP	79888
8	PILOT LIGHT-125V RED	41033
9	3 POSITION ROCKER SWITCH	39410
10	150 OHM RESISTOR AND DIODE ASSY	55443
11	6-32 X 3/8 PHIL PAN M/S	39000
12	6-32 M/S NUT 18-8	14221
13	THERMOSTAT 135F	38990
14	FUSE HOLDER	74636
15	1 AMP FUSE	79341
16	SOCKET ASSEMBLY	100299



Rack Assembly - Control Box Interior – Parts List

Item	Part Description	Part Number
		All Models
1	120 VOLT 60 CY BLOWER	48018
2	250 WATT 120 VOLT HEAT ELEMENT	38824
3	EXHAUST BLOWER PLUG AND CORD	47199
4	8-32 X 2 PH PAN M/S 18-8	39012
5	#8 INT. TOOTH L/W 410SS	12132
6	HEX NUT #8-32 STAINLESS	89129
7	B.I.B. BUTTER PUMP	79888
8	PILOT LIGHT-125V RED	41033
9	3 POSITION ROCKER SWITCH	39410
10	150 OHM RESISTOR AND DIODE ASSY	55443
11	6-32 X 3/8 PHIL PAN M/S	39000
12	6-32 M/S NUT 18-8	14221
13	THERMOSTAT 135F	38990
14	FUSE HOLDER	74636
15	1 AMP FUSE	79341
16	SOCKET ASSEMBLY	100299



Rack Assembly - Control Box Interior – Parts List

Item	Part Description	Part Number
		All Models
1	120 VOLT 60 CY BLOWER	48018
2	250 WATT 120 VOLT HEAT ELEMENT	38824
3	EXHAUST BLOWER PLUG AND CORD	47199
4	8-32 X 2 PH PAN M/S 18-8	39012
5	#8 INT. TOOTH L/W 410SS	12132
6	HEX NUT #8-32 STAINLESS	89129
7	B.I.B. BUTTER PUMP	79888
8	PILOT LIGHT-125V RED	41033
9	3 POSITION ROCKER SWITCH	39410
10	150 OHM RESISTOR AND DIODE ASSY	55443
11	6-32 X 3/8 PHIL PAN M/S	39000
12	6-32 M/S NUT 18-8	14221
13	THERMOSTAT 135F	38990
14	FUSE HOLDER	74636
15	1 AMP FUSE	79341
16	SOCKET ASSEMBLY	100299



Rack Assembly - Control Box Interior – Parts List

Item	Part Description	Part Number
		All Models
1	120 VOLT 60 CY BLOWER	48018
2	250 WATT 120 VOLT HEAT ELEMENT	38824
3	EXHAUST BLOWER PLUG AND CORD	47199
4	8-32 X 2 PH PAN M/S 18-8	39012
5	#8 INT. TOOTH L/W 410SS	12132
6	HEX NUT #8-32 STAINLESS	89129
7	B.I.B. BUTTER PUMP	79888
8	PILOT LIGHT-125V RED	41033
9	3 POSITION ROCKER SWITCH	39410
10	150 OHM RESISTOR AND DIODE ASSY	55443
11	6-32 X 3/8 PHIL PAN M/S	39000
12	6-32 M/S NUT 18-8	14221
13	THERMOSTAT 135F	38990
14	FUSE HOLDER	74636
15	1 AMP FUSE	79341
16	SOCKET ASSEMBLY	100299



Rack Assembly - Control Box Interior – Parts List

Item	Part Description	Part Number
		All Models
1	120 VOLT 60 CY BLOWER	48018
2	250 WATT 120 VOLT HEAT ELEMENT	38824
3	EXHAUST BLOWER PLUG AND CORD	47199
4	8-32 X 2 PH PAN M/S 18-8	39012
5	#8 INT. TOOTH L/W 410SS	12132
6	HEX NUT #8-32 STAINLESS	89129
7	B.I.B. BUTTER PUMP	79888
8	PILOT LIGHT-125V RED	41033
9	3 POSITION ROCKER SWITCH	39410
10	150 OHM RESISTOR AND DIODE ASSY	55443
11	6-32 X 3/8 PHIL PAN M/S	39000
12	6-32 M/S NUT 18-8	14221
13	THERMOSTAT 135F	38990
14	FUSE HOLDER	74636
15	1 AMP FUSE	79341
16	SOCKET ASSEMBLY	100299



Rack Assembly - Control Box Interior – Parts List

Item	Part Description	Part Number
		All Models
1	120 VOLT 60 CY BLOWER	48018
2	250 WATT 120 VOLT HEAT ELEMENT	38824
3	EXHAUST BLOWER PLUG AND CORD	47199
4	8-32 X 2 PH PAN M/S 18-8	39012
5	#8 INT. TOOTH L/W 410SS	12132
6	HEX NUT #8-32 STAINLESS	89129
7	B.I.B. BUTTER PUMP	79888
8	PILOT LIGHT-125V RED	41033
9	3 POSITION ROCKER SWITCH	39410
10	150 OHM RESISTOR AND DIODE ASSY	55443
11	6-32 X 3/8 PHIL PAN M/S	39000
12	6-32 M/S NUT 18-8	14221
13	THERMOSTAT 135F	38990
14	FUSE HOLDER	74636
15	1 AMP FUSE	79341
16	SOCKET ASSEMBLY	100299



Pedestal Exterior – Parts List

Item	Part Description	Part Number	
		2396-00-100 2396-00-110 2396-00-140	2396-00-101 2396-00-111
	COMPLETE PEDESTAL	77460	
1	LIGHT COVER ASSEMBLY (includes 2 screws, butter bracket, light cover)	103160	103160
2	SCREW #8 HEX WASHER HEAD	47771	47771
3	BUTTER BRACKET	103158	103158
4	LIGHT COVER	103159	103159
5	END CAP	69202	69202
6	PUSH DECAL	103081	103081
7	MOMENTARY SWITCH	38971	38971
8	NO DRIP SPOUT	38566	38566
9	DISPENSER LABEL	39142	39142
10	STRAIGHT CORD GRIP	55234	55234
11	SR 31-2 STRAIN RELIEF	41735	41735
12	PLUG WIRE HARNESS	100301	100301
13	FLAT WASHER 1/4 STAINLESS	87261	87261
14	1/4-20 ST STL WING NUT	12466	12466
15	PEDESTAL BACK PLATE	38872	38872
16	SCREW #8-32X3/8 PAN HD PH	74141	74141
17	MOLDED RECEPTACLE		41712
18	REMOTE SWITCH ASSEMBLY (complete assy.)		39154
19	DECAL		39181
20	SWITCH BOX		39152
21	SWITCH BOX BASE		39153
22	MOLDED PLUG		47726



Pedestal Exterior – Parts List

Item	Part Description	Part Number	
		2396-00-100 2396-00-110 2396-00-140	2396-00-101 2396-00-111
	COMPLETE PEDESTAL	77460	
1	LIGHT COVER ASSEMBLY (includes 2 screws, butter bracket, light cover)	103160	103160
2	SCREW #8 HEX WASHER HEAD	47771	47771
3	BUTTER BRACKET	103158	103158
4	LIGHT COVER	103159	103159
5	END CAP	69202	69202
6	PUSH DECAL	103081	103081
7	MOMENTARY SWITCH	38971	38971
8	NO DRIP SPOUT	38566	38566
9	DISPENSER LABEL	39142	39142
10	STRAIGHT CORD GRIP	55234	55234
11	SR 31-2 STRAIN RELIEF	41735	41735
12	PLUG WIRE HARNESS	100301	100301
13	FLAT WASHER 1/4 STAINLESS	87261	87261
14	1/4-20 ST STL WING NUT	12466	12466
15	PEDESTAL BACK PLATE	38872	38872
16	SCREW #8-32X3/8 PAN HD PH	74141	74141
17	MOLDED RECEPTACLE		41712
18	REMOTE SWITCH ASSEMBLY (complete assy.)		39154
19	DECAL		39181
20	SWITCH BOX		39152
21	SWITCH BOX BASE		39153
22	MOLDED PLUG		47726



Pedestal Exterior – Parts List

Item	Part Description	Part Number	
		2396-00-100 2396-00-110 2396-00-140	2396-00-101 2396-00-111
	COMPLETE PEDESTAL	77460	
1	LIGHT COVER ASSEMBLY (includes 2 screws, butter bracket, light cover)	103160	103160
2	SCREW #8 HEX WASHER HEAD	47771	47771
3	BUTTER BRACKET	103158	103158
4	LIGHT COVER	103159	103159
5	END CAP	69202	69202
6	PUSH DECAL	103081	103081
7	MOMENTARY SWITCH	38971	38971
8	NO DRIP SPOUT	38566	38566
9	DISPENSER LABEL	39142	39142
10	STRAIGHT CORD GRIP	55234	55234
11	SR 31-2 STRAIN RELIEF	41735	41735
12	PLUG WIRE HARNESS	100301	100301
13	FLAT WASHER 1/4 STAINLESS	87261	87261
14	1/4-20 ST STL WING NUT	12466	12466
15	PEDESTAL BACK PLATE	38872	38872
16	SCREW #8-32X3/8 PAN HD PH	74141	74141
17	MOLDED RECEPTACLE		41712
18	REMOTE SWITCH ASSEMBLY (complete assy.)		39154
19	DECAL		39181
20	SWITCH BOX		39152
21	SWITCH BOX BASE		39153
22	MOLDED PLUG		47726



Pedestal Exterior – Parts List

Item	Part Description	Part Number	
		2396-00-100 2396-00-110 2396-00-140	2396-00-101 2396-00-111
	COMPLETE PEDESTAL	77460	
1	LIGHT COVER ASSEMBLY (includes 2 screws, butter bracket, light cover)	103160	103160
2	SCREW #8 HEX WASHER HEAD	47771	47771
3	BUTTER BRACKET	103158	103158
4	LIGHT COVER	103159	103159
5	END CAP	69202	69202
6	PUSH DECAL	103081	103081
7	MOMENTARY SWITCH	38971	38971
8	NO DRIP SPOUT	38566	38566
9	DISPENSER LABEL	39142	39142
10	STRAIGHT CORD GRIP	55234	55234
11	SR 31-2 STRAIN RELIEF	41735	41735
12	PLUG WIRE HARNESS	100301	100301
13	FLAT WASHER 1/4 STAINLESS	87261	87261
14	1/4-20 ST STL WING NUT	12466	12466
15	PEDESTAL BACK PLATE	38872	38872
16	SCREW #8-32X3/8 PAN HD PH	74141	74141
17	MOLDED RECEPTACLE		41712
18	REMOTE SWITCH ASSEMBLY (complete assy.)		39154
19	DECAL		39181
20	SWITCH BOX		39152
21	SWITCH BOX BASE		39153
22	MOLDED PLUG		47726



Pedestal Exterior – Parts List

Item	Part Description	Part Number	
		2396-00-100 2396-00-110 2396-00-140	2396-00-101 2396-00-111
	COMPLETE PEDESTAL	77460	
1	LIGHT COVER ASSEMBLY (includes 2 screws, butter bracket, light cover)	103160	103160
2	SCREW #8 HEX WASHER HEAD	47771	47771
3	BUTTER BRACKET	103158	103158
4	LIGHT COVER	103159	103159
5	END CAP	69202	69202
6	PUSH DECAL	103081	103081
7	MOMENTARY SWITCH	38971	38971
8	NO DRIP SPOUT	38566	38566
9	DISPENSER LABEL	39142	39142
10	STRAIGHT CORD GRIP	55234	55234
11	SR 31-2 STRAIN RELIEF	41735	41735
12	PLUG WIRE HARNESS	100301	100301
13	FLAT WASHER 1/4 STAINLESS	87261	87261
14	1/4-20 ST STL WING NUT	12466	12466
15	PEDESTAL BACK PLATE	38872	38872
16	SCREW #8-32X3/8 PAN HD PH	74141	74141
17	MOLDED RECEPTACLE		41712
18	REMOTE SWITCH ASSEMBLY (complete assy.)		39154
19	DECAL		39181
20	SWITCH BOX		39152
21	SWITCH BOX BASE		39153
22	MOLDED PLUG		47726



Pedestal Exterior – Parts List

Item	Part Description	Part Number	
		2396-00-100 2396-00-110 2396-00-140	2396-00-101 2396-00-111
	COMPLETE PEDESTAL	77460	
1	LIGHT COVER ASSEMBLY (includes 2 screws, butter bracket, light cover)	103160	103160
2	SCREW #8 HEX WASHER HEAD	47771	47771
3	BUTTER BRACKET	103158	103158
4	LIGHT COVER	103159	103159
5	END CAP	69202	69202
6	PUSH DECAL	103081	103081
7	MOMENTARY SWITCH	38971	38971
8	NO DRIP SPOUT	38566	38566
9	DISPENSER LABEL	39142	39142
10	STRAIGHT CORD GRIP	55234	55234
11	SR 31-2 STRAIN RELIEF	41735	41735
12	PLUG WIRE HARNESS	100301	100301
13	FLAT WASHER 1/4 STAINLESS	87261	87261
14	1/4-20 ST STL WING NUT	12466	12466
15	PEDESTAL BACK PLATE	38872	38872
16	SCREW #8-32X3/8 PAN HD PH	74141	74141
17	MOLDED RECEPTACLE		41712
18	REMOTE SWITCH ASSEMBLY (complete assy.)		39154
19	DECAL		39181
20	SWITCH BOX		39152
21	SWITCH BOX BASE		39153
22	MOLDED PLUG		47726



Pedestal Exterior – Parts List

Item	Part Description	Part Number	
		2396-00-100 2396-00-110 2396-00-140	2396-00-101 2396-00-111
	COMPLETE PEDESTAL	77460	
1	LIGHT COVER ASSEMBLY (includes 2 screws, butter bracket, light cover)	103160	103160
2	SCREW #8 HEX WASHER HEAD	47771	47771
3	BUTTER BRACKET	103158	103158
4	LIGHT COVER	103159	103159
5	END CAP	69202	69202
6	PUSH DECAL	103081	103081
7	MOMENTARY SWITCH	38971	38971
8	NO DRIP SPOUT	38566	38566
9	DISPENSER LABEL	39142	39142
10	STRAIGHT CORD GRIP	55234	55234
11	SR 31-2 STRAIN RELIEF	41735	41735
12	PLUG WIRE HARNESS	100301	100301
13	FLAT WASHER 1/4 STAINLESS	87261	87261
14	1/4-20 ST STL WING NUT	12466	12466
15	PEDESTAL BACK PLATE	38872	38872
16	SCREW #8-32X3/8 PAN HD PH	74141	74141
17	MOLDED RECEPTACLE		41712
18	REMOTE SWITCH ASSEMBLY (complete assy.)		39154
19	DECAL		39181
20	SWITCH BOX		39152
21	SWITCH BOX BASE		39153
22	MOLDED PLUG		47726



Pedestal Exterior – Parts List

Item	Part Description	Part Number	
		2396-00-100 2396-00-110 2396-00-140	2396-00-101 2396-00-111
	COMPLETE PEDESTAL	77460	
1	LIGHT COVER ASSEMBLY (includes 2 screws, butter bracket, light cover)	103160	103160
2	SCREW #8 HEX WASHER HEAD	47771	47771
3	BUTTER BRACKET	103158	103158
4	LIGHT COVER	103159	103159
5	END CAP	69202	69202
6	PUSH DECAL	103081	103081
7	MOMENTARY SWITCH	38971	38971
8	NO DRIP SPOUT	38566	38566
9	DISPENSER LABEL	39142	39142
10	STRAIGHT CORD GRIP	55234	55234
11	SR 31-2 STRAIN RELIEF	41735	41735
12	PLUG WIRE HARNESS	100301	100301
13	FLAT WASHER 1/4 STAINLESS	87261	87261
14	1/4-20 ST STL WING NUT	12466	12466
15	PEDESTAL BACK PLATE	38872	38872
16	SCREW #8-32X3/8 PAN HD PH	74141	74141
17	MOLDED RECEPTACLE		41712
18	REMOTE SWITCH ASSEMBLY (complete assy.)		39154
19	DECAL		39181
20	SWITCH BOX		39152
21	SWITCH BOX BASE		39153
22	MOLDED PLUG		47726



Pedestal Exterior – Parts List

Item	Part Description	Part Number	
		2396-00-100 2396-00-110 2396-00-140	2396-00-101 2396-00-111
	COMPLETE PEDESTAL	77460	
1	LIGHT COVER ASSEMBLY (includes 2 screws, butter bracket, light cover)	103160	103160
2	SCREW #8 HEX WASHER HEAD	47771	47771
3	BUTTER BRACKET	103158	103158
4	LIGHT COVER	103159	103159
5	END CAP	69202	69202
6	PUSH DECAL	103081	103081
7	MOMENTARY SWITCH	38971	38971
8	NO DRIP SPOUT	38566	38566
9	DISPENSER LABEL	39142	39142
10	STRAIGHT CORD GRIP	55234	55234
11	SR 31-2 STRAIN RELIEF	41735	41735
12	PLUG WIRE HARNESS	100301	100301
13	FLAT WASHER 1/4 STAINLESS	87261	87261
14	1/4-20 ST STL WING NUT	12466	12466
15	PEDESTAL BACK PLATE	38872	38872
16	SCREW #8-32X3/8 PAN HD PH	74141	74141
17	MOLDED RECEPTACLE		41712
18	REMOTE SWITCH ASSEMBLY (complete assy.)		39154
19	DECAL		39181
20	SWITCH BOX		39152
21	SWITCH BOX BASE		39153
22	MOLDED PLUG		47726



Pedestal Exterior – Parts List

Item	Part Description	Part Number	
		2396-00-100 2396-00-110 2396-00-140	2396-00-101 2396-00-111
	COMPLETE PEDESTAL	77460	
1	LIGHT COVER ASSEMBLY (includes 2 screws, butter bracket, light cover)	103160	103160
2	SCREW #8 HEX WASHER HEAD	47771	47771
3	BUTTER BRACKET	103158	103158
4	LIGHT COVER	103159	103159
5	END CAP	69202	69202
6	PUSH DECAL	103081	103081
7	MOMENTARY SWITCH	38971	38971
8	NO DRIP SPOUT	38566	38566
9	DISPENSER LABEL	39142	39142
10	STRAIGHT CORD GRIP	55234	55234
11	SR 31-2 STRAIN RELIEF	41735	41735
12	PLUG WIRE HARNESS	100301	100301
13	FLAT WASHER 1/4 STAINLESS	87261	87261
14	1/4-20 ST STL WING NUT	12466	12466
15	PEDESTAL BACK PLATE	38872	38872
16	SCREW #8-32X3/8 PAN HD PH	74141	74141
17	MOLDED RECEPTACLE		41712
18	REMOTE SWITCH ASSEMBLY (complete assy.)		39154
19	DECAL		39181
20	SWITCH BOX		39152
21	SWITCH BOX BASE		39153
22	MOLDED PLUG		47726



Pedestal Exterior – Parts List

Item	Part Description	Part Number	
		2396-00-100 2396-00-110 2396-00-140	2396-00-101 2396-00-111
	COMPLETE PEDESTAL	77460	
1	LIGHT COVER ASSEMBLY (includes 2 screws, butter bracket, light cover)	103160	103160
2	SCREW #8 HEX WASHER HEAD	47771	47771
3	BUTTER BRACKET	103158	103158
4	LIGHT COVER	103159	103159
5	END CAP	69202	69202
6	PUSH DECAL	103081	103081
7	MOMENTARY SWITCH	38971	38971
8	NO DRIP SPOUT	38566	38566
9	DISPENSER LABEL	39142	39142
10	STRAIGHT CORD GRIP	55234	55234
11	SR 31-2 STRAIN RELIEF	41735	41735
12	PLUG WIRE HARNESS	100301	100301
13	FLAT WASHER 1/4 STAINLESS	87261	87261
14	1/4-20 ST STL WING NUT	12466	12466
15	PEDESTAL BACK PLATE	38872	38872
16	SCREW #8-32X3/8 PAN HD PH	74141	74141
17	MOLDED RECEPTACLE		41712
18	REMOTE SWITCH ASSEMBLY (complete assy.)		39154
19	DECAL		39181
20	SWITCH BOX		39152
21	SWITCH BOX BASE		39153
22	MOLDED PLUG		47726



Pedestal Exterior – Parts List

Item	Part Description	Part Number	
		2396-00-100 2396-00-110 2396-00-140	2396-00-101 2396-00-111
	COMPLETE PEDESTAL	77460	
1	LIGHT COVER ASSEMBLY (includes 2 screws, butter bracket, light cover)	103160	103160
2	SCREW #8 HEX WASHER HEAD	47771	47771
3	BUTTER BRACKET	103158	103158
4	LIGHT COVER	103159	103159
5	END CAP	69202	69202
6	PUSH DECAL	103081	103081
7	MOMENTARY SWITCH	38971	38971
8	NO DRIP SPOUT	38566	38566
9	DISPENSER LABEL	39142	39142
10	STRAIGHT CORD GRIP	55234	55234
11	SR 31-2 STRAIN RELIEF	41735	41735
12	PLUG WIRE HARNESS	100301	100301
13	FLAT WASHER 1/4 STAINLESS	87261	87261
14	1/4-20 ST STL WING NUT	12466	12466
15	PEDESTAL BACK PLATE	38872	38872
16	SCREW #8-32X3/8 PAN HD PH	74141	74141
17	MOLDED RECEPTACLE		41712
18	REMOTE SWITCH ASSEMBLY (complete assy.)		39154
19	DECAL		39181
20	SWITCH BOX		39152
21	SWITCH BOX BASE		39153
22	MOLDED PLUG		47726



Pedestal Exterior – Parts List

Item	Part Description	Part Number	
		2396-00-100 2396-00-110 2396-00-140	2396-00-101 2396-00-111
	COMPLETE PEDESTAL	77460	
1	LIGHT COVER ASSEMBLY (includes 2 screws, butter bracket, light cover)	103160	103160
2	SCREW #8 HEX WASHER HEAD	47771	47771
3	BUTTER BRACKET	103158	103158
4	LIGHT COVER	103159	103159
5	END CAP	69202	69202
6	PUSH DECAL	103081	103081
7	MOMENTARY SWITCH	38971	38971
8	NO DRIP SPOUT	38566	38566
9	DISPENSER LABEL	39142	39142
10	STRAIGHT CORD GRIP	55234	55234
11	SR 31-2 STRAIN RELIEF	41735	41735
12	PLUG WIRE HARNESS	100301	100301
13	FLAT WASHER 1/4 STAINLESS	87261	87261
14	1/4-20 ST STL WING NUT	12466	12466
15	PEDESTAL BACK PLATE	38872	38872
16	SCREW #8-32X3/8 PAN HD PH	74141	74141
17	MOLDED RECEPTACLE		41712
18	REMOTE SWITCH ASSEMBLY (complete assy.)		39154
19	DECAL		39181
20	SWITCH BOX		39152
21	SWITCH BOX BASE		39153
22	MOLDED PLUG		47726



Pedestal Exterior – Parts List

Item	Part Description	Part Number	
		2396-00-100 2396-00-110 2396-00-140	2396-00-101 2396-00-111
	COMPLETE PEDESTAL	77460	
1	LIGHT COVER ASSEMBLY (includes 2 screws, butter bracket, light cover)	103160	103160
2	SCREW #8 HEX WASHER HEAD	47771	47771
3	BUTTER BRACKET	103158	103158
4	LIGHT COVER	103159	103159
5	END CAP	69202	69202
6	PUSH DECAL	103081	103081
7	MOMENTARY SWITCH	38971	38971
8	NO DRIP SPOUT	38566	38566
9	DISPENSER LABEL	39142	39142
10	STRAIGHT CORD GRIP	55234	55234
11	SR 31-2 STRAIN RELIEF	41735	41735
12	PLUG WIRE HARNESS	100301	100301
13	FLAT WASHER 1/4 STAINLESS	87261	87261
14	1/4-20 ST STL WING NUT	12466	12466
15	PEDESTAL BACK PLATE	38872	38872
16	SCREW #8-32X3/8 PAN HD PH	74141	74141
17	MOLDED RECEPTACLE		41712
18	REMOTE SWITCH ASSEMBLY (complete assy.)		39154
19	DECAL		39181
20	SWITCH BOX		39152
21	SWITCH BOX BASE		39153
22	MOLDED PLUG		47726



Pedestal Exterior – Parts List

Item	Part Description	Part Number	
		2396-00-100 2396-00-110 2396-00-140	2396-00-101 2396-00-111
	COMPLETE PEDESTAL	77460	
1	LIGHT COVER ASSEMBLY (includes 2 screws, butter bracket, light cover)	103160	103160
2	SCREW #8 HEX WASHER HEAD	47771	47771
3	BUTTER BRACKET	103158	103158
4	LIGHT COVER	103159	103159
5	END CAP	69202	69202
6	PUSH DECAL	103081	103081
7	MOMENTARY SWITCH	38971	38971
8	NO DRIP SPOUT	38566	38566
9	DISPENSER LABEL	39142	39142
10	STRAIGHT CORD GRIP	55234	55234
11	SR 31-2 STRAIN RELIEF	41735	41735
12	PLUG WIRE HARNESS	100301	100301
13	FLAT WASHER 1/4 STAINLESS	87261	87261
14	1/4-20 ST STL WING NUT	12466	12466
15	PEDESTAL BACK PLATE	38872	38872
16	SCREW #8-32X3/8 PAN HD PH	74141	74141
17	MOLDED RECEPTACLE		41712
18	REMOTE SWITCH ASSEMBLY (complete assy.)		39154
19	DECAL		39181
20	SWITCH BOX		39152
21	SWITCH BOX BASE		39153
22	MOLDED PLUG		47726



Pedestal Exterior – Parts List

Item	Part Description	Part Number	
		2396-00-100 2396-00-110 2396-00-140	2396-00-101 2396-00-111
	COMPLETE PEDESTAL	77460	
1	LIGHT COVER ASSEMBLY (includes 2 screws, butter bracket, light cover)	103160	103160
2	SCREW #8 HEX WASHER HEAD	47771	47771
3	BUTTER BRACKET	103158	103158
4	LIGHT COVER	103159	103159
5	END CAP	69202	69202
6	PUSH DECAL	103081	103081
7	MOMENTARY SWITCH	38971	38971
8	NO DRIP SPOUT	38566	38566
9	DISPENSER LABEL	39142	39142
10	STRAIGHT CORD GRIP	55234	55234
11	SR 31-2 STRAIN RELIEF	41735	41735
12	PLUG WIRE HARNESS	100301	100301
13	FLAT WASHER 1/4 STAINLESS	87261	87261
14	1/4-20 ST STL WING NUT	12466	12466
15	PEDESTAL BACK PLATE	38872	38872
16	SCREW #8-32X3/8 PAN HD PH	74141	74141
17	MOLDED RECEPTACLE		41712
18	REMOTE SWITCH ASSEMBLY (complete assy.)		39154
19	DECAL		39181
20	SWITCH BOX		39152
21	SWITCH BOX BASE		39153
22	MOLDED PLUG		47726



Pedestal Exterior – Parts List

Item	Part Description	Part Number	
		2396-00-100 2396-00-110 2396-00-140	2396-00-101 2396-00-111
	COMPLETE PEDESTAL	77460	
1	LIGHT COVER ASSEMBLY (includes 2 screws, butter bracket, light cover)	103160	103160
2	SCREW #8 HEX WASHER HEAD	47771	47771
3	BUTTER BRACKET	103158	103158
4	LIGHT COVER	103159	103159
5	END CAP	69202	69202
6	PUSH DECAL	103081	103081
7	MOMENTARY SWITCH	38971	38971
8	NO DRIP SPOUT	38566	38566
9	DISPENSER LABEL	39142	39142
10	STRAIGHT CORD GRIP	55234	55234
11	SR 31-2 STRAIN RELIEF	41735	41735
12	PLUG WIRE HARNESS	100301	100301
13	FLAT WASHER 1/4 STAINLESS	87261	87261
14	1/4-20 ST STL WING NUT	12466	12466
15	PEDESTAL BACK PLATE	38872	38872
16	SCREW #8-32X3/8 PAN HD PH	74141	74141
17	MOLDED RECEPTACLE		41712
18	REMOTE SWITCH ASSEMBLY (complete assy.)		39154
19	DECAL		39181
20	SWITCH BOX		39152
21	SWITCH BOX BASE		39153
22	MOLDED PLUG		47726



Pedestal Exterior – Parts List

Item	Part Description	Part Number	
		2396-00-100 2396-00-110 2396-00-140	2396-00-101 2396-00-111
	COMPLETE PEDESTAL	77460	
1	LIGHT COVER ASSEMBLY (includes 2 screws, butter bracket, light cover)	103160	103160
2	SCREW #8 HEX WASHER HEAD	47771	47771
3	BUTTER BRACKET	103158	103158
4	LIGHT COVER	103159	103159
5	END CAP	69202	69202
6	PUSH DECAL	103081	103081
7	MOMENTARY SWITCH	38971	38971
8	NO DRIP SPOUT	38566	38566
9	DISPENSER LABEL	39142	39142
10	STRAIGHT CORD GRIP	55234	55234
11	SR 31-2 STRAIN RELIEF	41735	41735
12	PLUG WIRE HARNESS	100301	100301
13	FLAT WASHER 1/4 STAINLESS	87261	87261
14	1/4-20 ST STL WING NUT	12466	12466
15	PEDESTAL BACK PLATE	38872	38872
16	SCREW #8-32X3/8 PAN HD PH	74141	74141
17	MOLDED RECEPTACLE		41712
18	REMOTE SWITCH ASSEMBLY (complete assy.)		39154
19	DECAL		39181
20	SWITCH BOX		39152
21	SWITCH BOX BASE		39153
22	MOLDED PLUG		47726



Pedestal Exterior – Parts List

Item	Part Description	Part Number	
		2396-00-100 2396-00-110 2396-00-140	2396-00-101 2396-00-111
	COMPLETE PEDESTAL	77460	
1	LIGHT COVER ASSEMBLY (includes 2 screws, butter bracket, light cover)	103160	103160
2	SCREW #8 HEX WASHER HEAD	47771	47771
3	BUTTER BRACKET	103158	103158
4	LIGHT COVER	103159	103159
5	END CAP	69202	69202
6	PUSH DECAL	103081	103081
7	MOMENTARY SWITCH	38971	38971
8	NO DRIP SPOUT	38566	38566
9	DISPENSER LABEL	39142	39142
10	STRAIGHT CORD GRIP	55234	55234
11	SR 31-2 STRAIN RELIEF	41735	41735
12	PLUG WIRE HARNESS	100301	100301
13	FLAT WASHER 1/4 STAINLESS	87261	87261
14	1/4-20 ST STL WING NUT	12466	12466
15	PEDESTAL BACK PLATE	38872	38872
16	SCREW #8-32X3/8 PAN HD PH	74141	74141
17	MOLDED RECEPTACLE		41712
18	REMOTE SWITCH ASSEMBLY (complete assy.)		39154
19	DECAL		39181
20	SWITCH BOX		39152
21	SWITCH BOX BASE		39153
22	MOLDED PLUG		47726



Pedestal Exterior – Parts List

Item	Part Description	Part Number	
		2396-00-100 2396-00-110 2396-00-140	2396-00-101 2396-00-111
	COMPLETE PEDESTAL	77460	
1	LIGHT COVER ASSEMBLY (includes 2 screws, butter bracket, light cover)	103160	103160
2	SCREW #8 HEX WASHER HEAD	47771	47771
3	BUTTER BRACKET	103158	103158
4	LIGHT COVER	103159	103159
5	END CAP	69202	69202
6	PUSH DECAL	103081	103081
7	MOMENTARY SWITCH	38971	38971
8	NO DRIP SPOUT	38566	38566
9	DISPENSER LABEL	39142	39142
10	STRAIGHT CORD GRIP	55234	55234
11	SR 31-2 STRAIN RELIEF	41735	41735
12	PLUG WIRE HARNESS	100301	100301
13	FLAT WASHER 1/4 STAINLESS	87261	87261
14	1/4-20 ST STL WING NUT	12466	12466
15	PEDESTAL BACK PLATE	38872	38872
16	SCREW #8-32X3/8 PAN HD PH	74141	74141
17	MOLDED RECEPTACLE		41712
18	REMOTE SWITCH ASSEMBLY (complete assy.)		39154
19	DECAL		39181
20	SWITCH BOX		39152
21	SWITCH BOX BASE		39153
22	MOLDED PLUG		47726



Pedestal Exterior – Parts List

Item	Part Description	Part Number	
		2396-00-100 2396-00-110 2396-00-140	2396-00-101 2396-00-111
	COMPLETE PEDESTAL	77460	
1	LIGHT COVER ASSEMBLY (includes 2 screws, butter bracket, light cover)	103160	103160
2	SCREW #8 HEX WASHER HEAD	47771	47771
3	BUTTER BRACKET	103158	103158
4	LIGHT COVER	103159	103159
5	END CAP	69202	69202
6	PUSH DECAL	103081	103081
7	MOMENTARY SWITCH	38971	38971
8	NO DRIP SPOUT	38566	38566
9	DISPENSER LABEL	39142	39142
10	STRAIGHT CORD GRIP	55234	55234
11	SR 31-2 STRAIN RELIEF	41735	41735
12	PLUG WIRE HARNESS	100301	100301
13	FLAT WASHER 1/4 STAINLESS	87261	87261
14	1/4-20 ST STL WING NUT	12466	12466
15	PEDESTAL BACK PLATE	38872	38872
16	SCREW #8-32X3/8 PAN HD PH	74141	74141
17	MOLDED RECEPTACLE		41712
18	REMOTE SWITCH ASSEMBLY (complete assy.)		39154
19	DECAL		39181
20	SWITCH BOX		39152
21	SWITCH BOX BASE		39153
22	MOLDED PLUG		47726



Pedestal Exterior – Parts List

Item	Part Description	Part Number	
		2396-00-100 2396-00-110 2396-00-140	2396-00-101 2396-00-111
	COMPLETE PEDESTAL	77460	
1	LIGHT COVER ASSEMBLY (includes 2 screws, butter bracket, light cover)	103160	103160
2	SCREW #8 HEX WASHER HEAD	47771	47771
3	BUTTER BRACKET	103158	103158
4	LIGHT COVER	103159	103159
5	END CAP	69202	69202
6	PUSH DECAL	103081	103081
7	MOMENTARY SWITCH	38971	38971
8	NO DRIP SPOUT	38566	38566
9	DISPENSER LABEL	39142	39142
10	STRAIGHT CORD GRIP	55234	55234
11	SR 31-2 STRAIN RELIEF	41735	41735
12	PLUG WIRE HARNESS	100301	100301
13	FLAT WASHER 1/4 STAINLESS	87261	87261
14	1/4-20 ST STL WING NUT	12466	12466
15	PEDESTAL BACK PLATE	38872	38872
16	SCREW #8-32X3/8 PAN HD PH	74141	74141
17	MOLDED RECEPTACLE		41712
18	REMOTE SWITCH ASSEMBLY (complete assy.)		39154
19	DECAL		39181
20	SWITCH BOX		39152
21	SWITCH BOX BASE		39153
22	MOLDED PLUG		47726



Pedestal Exterior – Parts List

Item	Part Description	Part Number	
		2396-00-100 2396-00-110 2396-00-140	2396-00-101 2396-00-111
	COMPLETE PEDESTAL	77460	
1	LIGHT COVER ASSEMBLY (includes 2 screws, butter bracket, light cover)	103160	103160
2	SCREW #8 HEX WASHER HEAD	47771	47771
3	BUTTER BRACKET	103158	103158
4	LIGHT COVER	103159	103159
5	END CAP	69202	69202
6	PUSH DECAL	103081	103081
7	MOMENTARY SWITCH	38971	38971
8	NO DRIP SPOUT	38566	38566
9	DISPENSER LABEL	39142	39142
10	STRAIGHT CORD GRIP	55234	55234
11	SR 31-2 STRAIN RELIEF	41735	41735
12	PLUG WIRE HARNESS	100301	100301
13	FLAT WASHER 1/4 STAINLESS	87261	87261
14	1/4-20 ST STL WING NUT	12466	12466
15	PEDESTAL BACK PLATE	38872	38872
16	SCREW #8-32X3/8 PAN HD PH	74141	74141
17	MOLDED RECEPTACLE		41712
18	REMOTE SWITCH ASSEMBLY (complete assy.)		39154
19	DECAL		39181
20	SWITCH BOX		39152
21	SWITCH BOX BASE		39153
22	MOLDED PLUG		47726



Pedestal Exterior – Parts List

Item	Part Description	Part Number	
		2396-00-100 2396-00-110 2396-00-140	2396-00-101 2396-00-111
	COMPLETE PEDESTAL	77460	
1	LIGHT COVER ASSEMBLY (includes 2 screws, butter bracket, light cover)	103160	103160
2	SCREW #8 HEX WASHER HEAD	47771	47771
3	BUTTER BRACKET	103158	103158
4	LIGHT COVER	103159	103159
5	END CAP	69202	69202
6	PUSH DECAL	103081	103081
7	MOMENTARY SWITCH	38971	38971
8	NO DRIP SPOUT	38566	38566
9	DISPENSER LABEL	39142	39142
10	STRAIGHT CORD GRIP	55234	55234
11	SR 31-2 STRAIN RELIEF	41735	41735
12	PLUG WIRE HARNESS	100301	100301
13	FLAT WASHER 1/4 STAINLESS	87261	87261
14	1/4-20 ST STL WING NUT	12466	12466
15	PEDESTAL BACK PLATE	38872	38872
16	SCREW #8-32X3/8 PAN HD PH	74141	74141
17	MOLDED RECEPTACLE		41712
18	REMOTE SWITCH ASSEMBLY (complete assy.)		39154
19	DECAL		39181
20	SWITCH BOX		39152
21	SWITCH BOX BASE		39153
22	MOLDED PLUG		47726



Pedestal Exterior – Parts List

Item	Part Description	Part Number	
		2396-00-100 2396-00-110 2396-00-140	2396-00-101 2396-00-111
	COMPLETE PEDESTAL	77460	
1	LIGHT COVER ASSEMBLY (includes 2 screws, butter bracket, light cover)	103160	103160
2	SCREW #8 HEX WASHER HEAD	47771	47771
3	BUTTER BRACKET	103158	103158
4	LIGHT COVER	103159	103159
5	END CAP	69202	69202
6	PUSH DECAL	103081	103081
7	MOMENTARY SWITCH	38971	38971
8	NO DRIP SPOUT	38566	38566
9	DISPENSER LABEL	39142	39142
10	STRAIGHT CORD GRIP	55234	55234
11	SR 31-2 STRAIN RELIEF	41735	41735
12	PLUG WIRE HARNESS	100301	100301
13	FLAT WASHER 1/4 STAINLESS	87261	87261
14	1/4-20 ST STL WING NUT	12466	12466
15	PEDESTAL BACK PLATE	38872	38872
16	SCREW #8-32X3/8 PAN HD PH	74141	74141
17	MOLDED RECEPTACLE		41712
18	REMOTE SWITCH ASSEMBLY (complete assy.)		39154
19	DECAL		39181
20	SWITCH BOX		39152
21	SWITCH BOX BASE		39153
22	MOLDED PLUG		47726



Pedestal Exterior – Parts List

Item	Part Description	Part Number	
		2396-00-100 2396-00-110 2396-00-140	2396-00-101 2396-00-111
	COMPLETE PEDESTAL	77460	
1	LIGHT COVER ASSEMBLY (includes 2 screws, butter bracket, light cover)	103160	103160
2	SCREW #8 HEX WASHER HEAD	47771	47771
3	BUTTER BRACKET	103158	103158
4	LIGHT COVER	103159	103159
5	END CAP	69202	69202
6	PUSH DECAL	103081	103081
7	MOMENTARY SWITCH	38971	38971
8	NO DRIP SPOUT	38566	38566
9	DISPENSER LABEL	39142	39142
10	STRAIGHT CORD GRIP	55234	55234
11	SR 31-2 STRAIN RELIEF	41735	41735
12	PLUG WIRE HARNESS	100301	100301
13	FLAT WASHER 1/4 STAINLESS	87261	87261
14	1/4-20 ST STL WING NUT	12466	12466
15	PEDESTAL BACK PLATE	38872	38872
16	SCREW #8-32X3/8 PAN HD PH	74141	74141
17	MOLDED RECEPTACLE		41712
18	REMOTE SWITCH ASSEMBLY (complete assy.)		39154
19	DECAL		39181
20	SWITCH BOX		39152
21	SWITCH BOX BASE		39153
22	MOLDED PLUG		47726



Pedestal Exterior – Parts List

Item	Part Description	Part Number	
		2396-00-100 2396-00-110 2396-00-140	2396-00-101 2396-00-111
	COMPLETE PEDESTAL	77460	
1	LIGHT COVER ASSEMBLY (includes 2 screws, butter bracket, light cover)	103160	103160
2	SCREW #8 HEX WASHER HEAD	47771	47771
3	BUTTER BRACKET	103158	103158
4	LIGHT COVER	103159	103159
5	END CAP	69202	69202
6	PUSH DECAL	103081	103081
7	MOMENTARY SWITCH	38971	38971
8	NO DRIP SPOUT	38566	38566
9	DISPENSER LABEL	39142	39142
10	STRAIGHT CORD GRIP	55234	55234
11	SR 31-2 STRAIN RELIEF	41735	41735
12	PLUG WIRE HARNESS	100301	100301
13	FLAT WASHER 1/4 STAINLESS	87261	87261
14	1/4-20 ST STL WING NUT	12466	12466
15	PEDESTAL BACK PLATE	38872	38872
16	SCREW #8-32X3/8 PAN HD PH	74141	74141
17	MOLDED RECEPTACLE		41712
18	REMOTE SWITCH ASSEMBLY (complete assy.)		39154
19	DECAL		39181
20	SWITCH BOX		39152
21	SWITCH BOX BASE		39153
22	MOLDED PLUG		47726



Pedestal Exterior – Parts List

Item	Part Description	Part Number	
		2396-00-100 2396-00-110 2396-00-140	2396-00-101 2396-00-111
	COMPLETE PEDESTAL	77460	
1	LIGHT COVER ASSEMBLY (includes 2 screws, butter bracket, light cover)	103160	103160
2	SCREW #8 HEX WASHER HEAD	47771	47771
3	BUTTER BRACKET	103158	103158
4	LIGHT COVER	103159	103159
5	END CAP	69202	69202
6	PUSH DECAL	103081	103081
7	MOMENTARY SWITCH	38971	38971
8	NO DRIP SPOUT	38566	38566
9	DISPENSER LABEL	39142	39142
10	STRAIGHT CORD GRIP	55234	55234
11	SR 31-2 STRAIN RELIEF	41735	41735
12	PLUG WIRE HARNESS	100301	100301
13	FLAT WASHER 1/4 STAINLESS	87261	87261
14	1/4-20 ST STL WING NUT	12466	12466
15	PEDESTAL BACK PLATE	38872	38872
16	SCREW #8-32X3/8 PAN HD PH	74141	74141
17	MOLDED RECEPTACLE		41712
18	REMOTE SWITCH ASSEMBLY (complete assy.)		39154
19	DECAL		39181
20	SWITCH BOX		39152
21	SWITCH BOX BASE		39153
22	MOLDED PLUG		47726



Pedestal Exterior – Parts List

Item	Part Description	Part Number	
		2396-00-100 2396-00-110 2396-00-140	2396-00-101 2396-00-111
	COMPLETE PEDESTAL	77460	
1	LIGHT COVER ASSEMBLY (includes 2 screws, butter bracket, light cover)	103160	103160
2	SCREW #8 HEX WASHER HEAD	47771	47771
3	BUTTER BRACKET	103158	103158
4	LIGHT COVER	103159	103159
5	END CAP	69202	69202
6	PUSH DECAL	103081	103081
7	MOMENTARY SWITCH	38971	38971
8	NO DRIP SPOUT	38566	38566
9	DISPENSER LABEL	39142	39142
10	STRAIGHT CORD GRIP	55234	55234
11	SR 31-2 STRAIN RELIEF	41735	41735
12	PLUG WIRE HARNESS	100301	100301
13	FLAT WASHER 1/4 STAINLESS	87261	87261
14	1/4-20 ST STL WING NUT	12466	12466
15	PEDESTAL BACK PLATE	38872	38872
16	SCREW #8-32X3/8 PAN HD PH	74141	74141
17	MOLDED RECEPTACLE		41712
18	REMOTE SWITCH ASSEMBLY (complete assy.)		39154
19	DECAL		39181
20	SWITCH BOX		39152
21	SWITCH BOX BASE		39153
22	MOLDED PLUG		47726



Pedestal Exterior – Parts List

Item	Part Description	Part Number	
		2396-00-100 2396-00-110 2396-00-140	2396-00-101 2396-00-111
	COMPLETE PEDESTAL	77460	
1	LIGHT COVER ASSEMBLY (includes 2 screws, butter bracket, light cover)	103160	103160
2	SCREW #8 HEX WASHER HEAD	47771	47771
3	BUTTER BRACKET	103158	103158
4	LIGHT COVER	103159	103159
5	END CAP	69202	69202
6	PUSH DECAL	103081	103081
7	MOMENTARY SWITCH	38971	38971
8	NO DRIP SPOUT	38566	38566
9	DISPENSER LABEL	39142	39142
10	STRAIGHT CORD GRIP	55234	55234
11	SR 31-2 STRAIN RELIEF	41735	41735
12	PLUG WIRE HARNESS	100301	100301
13	FLAT WASHER 1/4 STAINLESS	87261	87261
14	1/4-20 ST STL WING NUT	12466	12466
15	PEDESTAL BACK PLATE	38872	38872
16	SCREW #8-32X3/8 PAN HD PH	74141	74141
17	MOLDED RECEPTACLE		41712
18	REMOTE SWITCH ASSEMBLY (complete assy.)		39154
19	DECAL		39181
20	SWITCH BOX		39152
21	SWITCH BOX BASE		39153
22	MOLDED PLUG		47726



Pedestal Exterior – Parts List

Item	Part Description	Part Number	
		2396-00-100 2396-00-110 2396-00-140	2396-00-101 2396-00-111
	COMPLETE PEDESTAL	77460	
1	LIGHT COVER ASSEMBLY (includes 2 screws, butter bracket, light cover)	103160	103160
2	SCREW #8 HEX WASHER HEAD	47771	47771
3	BUTTER BRACKET	103158	103158
4	LIGHT COVER	103159	103159
5	END CAP	69202	69202
6	PUSH DECAL	103081	103081
7	MOMENTARY SWITCH	38971	38971
8	NO DRIP SPOUT	38566	38566
9	DISPENSER LABEL	39142	39142
10	STRAIGHT CORD GRIP	55234	55234
11	SR 31-2 STRAIN RELIEF	41735	41735
12	PLUG WIRE HARNESS	100301	100301
13	FLAT WASHER 1/4 STAINLESS	87261	87261
14	1/4-20 ST STL WING NUT	12466	12466
15	PEDESTAL BACK PLATE	38872	38872
16	SCREW #8-32X3/8 PAN HD PH	74141	74141
17	MOLDED RECEPTACLE		41712
18	REMOTE SWITCH ASSEMBLY (complete assy.)		39154
19	DECAL		39181
20	SWITCH BOX		39152
21	SWITCH BOX BASE		39153
22	MOLDED PLUG		47726



Pedestal Exterior – Parts List

Item	Part Description	Part Number	
		2396-00-100 2396-00-110 2396-00-140	2396-00-101 2396-00-111
	COMPLETE PEDESTAL	77460	
1	LIGHT COVER ASSEMBLY (includes 2 screws, butter bracket, light cover)	103160	103160
2	SCREW #8 HEX WASHER HEAD	47771	47771
3	BUTTER BRACKET	103158	103158
4	LIGHT COVER	103159	103159
5	END CAP	69202	69202
6	PUSH DECAL	103081	103081
7	MOMENTARY SWITCH	38971	38971
8	NO DRIP SPOUT	38566	38566
9	DISPENSER LABEL	39142	39142
10	STRAIGHT CORD GRIP	55234	55234
11	SR 31-2 STRAIN RELIEF	41735	41735
12	PLUG WIRE HARNESS	100301	100301
13	FLAT WASHER 1/4 STAINLESS	87261	87261
14	1/4-20 ST STL WING NUT	12466	12466
15	PEDESTAL BACK PLATE	38872	38872
16	SCREW #8-32X3/8 PAN HD PH	74141	74141
17	MOLDED RECEPTACLE		41712
18	REMOTE SWITCH ASSEMBLY (complete assy.)		39154
19	DECAL		39181
20	SWITCH BOX		39152
21	SWITCH BOX BASE		39153
22	MOLDED PLUG		47726



Pedestal Exterior – Parts List

Item	Part Description	Part Number	
		2396-00-100 2396-00-110 2396-00-140	2396-00-101 2396-00-111
	COMPLETE PEDESTAL	77460	
1	LIGHT COVER ASSEMBLY (includes 2 screws, butter bracket, light cover)	103160	103160
2	SCREW #8 HEX WASHER HEAD	47771	47771
3	BUTTER BRACKET	103158	103158
4	LIGHT COVER	103159	103159
5	END CAP	69202	69202
6	PUSH DECAL	103081	103081
7	MOMENTARY SWITCH	38971	38971
8	NO DRIP SPOUT	38566	38566
9	DISPENSER LABEL	39142	39142
10	STRAIGHT CORD GRIP	55234	55234
11	SR 31-2 STRAIN RELIEF	41735	41735
12	PLUG WIRE HARNESS	100301	100301
13	FLAT WASHER 1/4 STAINLESS	87261	87261
14	1/4-20 ST STL WING NUT	12466	12466
15	PEDESTAL BACK PLATE	38872	38872
16	SCREW #8-32X3/8 PAN HD PH	74141	74141
17	MOLDED RECEPTACLE		41712
18	REMOTE SWITCH ASSEMBLY (complete assy.)		39154
19	DECAL		39181
20	SWITCH BOX		39152
21	SWITCH BOX BASE		39153
22	MOLDED PLUG		47726



Pedestal Exterior – Parts List

Item	Part Description	Part Number	
		2396-00-100 2396-00-110 2396-00-140	2396-00-101 2396-00-111
	COMPLETE PEDESTAL	77460	
1	LIGHT COVER ASSEMBLY (includes 2 screws, butter bracket, light cover)	103160	103160
2	SCREW #8 HEX WASHER HEAD	47771	47771
3	BUTTER BRACKET	103158	103158
4	LIGHT COVER	103159	103159
5	END CAP	69202	69202
6	PUSH DECAL	103081	103081
7	MOMENTARY SWITCH	38971	38971
8	NO DRIP SPOUT	38566	38566
9	DISPENSER LABEL	39142	39142
10	STRAIGHT CORD GRIP	55234	55234
11	SR 31-2 STRAIN RELIEF	41735	41735
12	PLUG WIRE HARNESS	100301	100301
13	FLAT WASHER 1/4 STAINLESS	87261	87261
14	1/4-20 ST STL WING NUT	12466	12466
15	PEDESTAL BACK PLATE	38872	38872
16	SCREW #8-32X3/8 PAN HD PH	74141	74141
17	MOLDED RECEPTACLE		41712
18	REMOTE SWITCH ASSEMBLY (complete assy.)		39154
19	DECAL		39181
20	SWITCH BOX		39152
21	SWITCH BOX BASE		39153
22	MOLDED PLUG		47726



Pedestal Exterior – Parts List

Item	Part Description	Part Number	
		2396-00-100 2396-00-110 2396-00-140	2396-00-101 2396-00-111
	COMPLETE PEDESTAL	77460	
1	LIGHT COVER ASSEMBLY (includes 2 screws, butter bracket, light cover)	103160	103160
2	SCREW #8 HEX WASHER HEAD	47771	47771
3	BUTTER BRACKET	103158	103158
4	LIGHT COVER	103159	103159
5	END CAP	69202	69202
6	PUSH DECAL	103081	103081
7	MOMENTARY SWITCH	38971	38971
8	NO DRIP SPOUT	38566	38566
9	DISPENSER LABEL	39142	39142
10	STRAIGHT CORD GRIP	55234	55234
11	SR 31-2 STRAIN RELIEF	41735	41735
12	PLUG WIRE HARNESS	100301	100301
13	FLAT WASHER 1/4 STAINLESS	87261	87261
14	1/4-20 ST STL WING NUT	12466	12466
15	PEDESTAL BACK PLATE	38872	38872
16	SCREW #8-32X3/8 PAN HD PH	74141	74141
17	MOLDED RECEPTACLE		41712
18	REMOTE SWITCH ASSEMBLY (complete assy.)		39154
19	DECAL		39181
20	SWITCH BOX		39152
21	SWITCH BOX BASE		39153
22	MOLDED PLUG		47726



Pedestal Exterior – Parts List

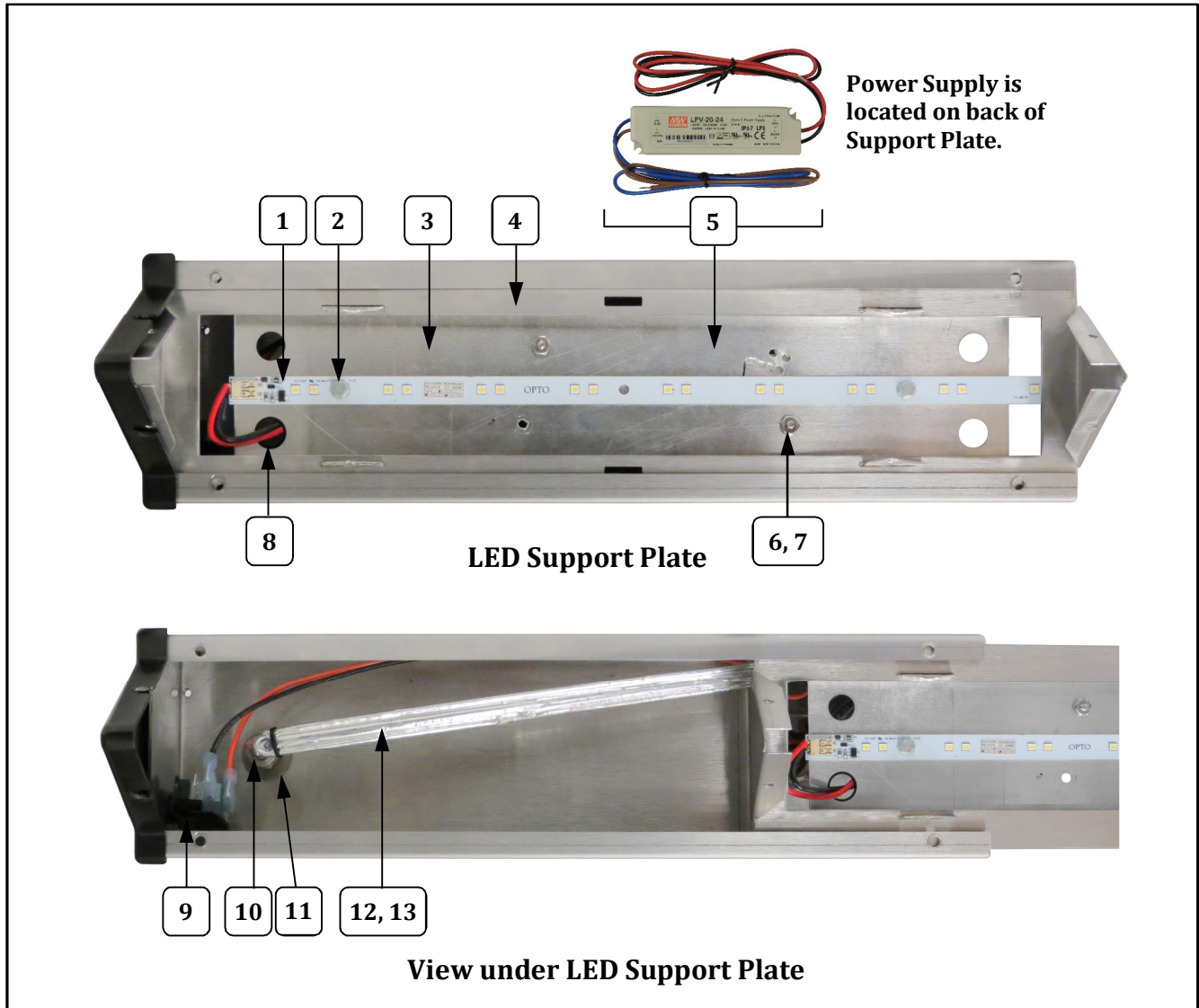
Item	Part Description	Part Number	
		2396-00-100 2396-00-110 2396-00-140	2396-00-101 2396-00-111
	COMPLETE PEDESTAL	77460	
1	LIGHT COVER ASSEMBLY (includes 2 screws, butter bracket, light cover)	103160	103160
2	SCREW #8 HEX WASHER HEAD	47771	47771
3	BUTTER BRACKET	103158	103158
4	LIGHT COVER	103159	103159
5	END CAP	69202	69202
6	PUSH DECAL	103081	103081
7	MOMENTARY SWITCH	38971	38971
8	NO DRIP SPOUT	38566	38566
9	DISPENSER LABEL	39142	39142
10	STRAIGHT CORD GRIP	55234	55234
11	SR 31-2 STRAIN RELIEF	41735	41735
12	PLUG WIRE HARNESS	100301	100301
13	FLAT WASHER 1/4 STAINLESS	87261	87261
14	1/4-20 ST STL WING NUT	12466	12466
15	PEDESTAL BACK PLATE	38872	38872
16	SCREW #8-32X3/8 PAN HD PH	74141	74141
17	MOLDED RECEPTACLE		41712
18	REMOTE SWITCH ASSEMBLY (complete assy.)		39154
19	DECAL		39181
20	SWITCH BOX		39152
21	SWITCH BOX BASE		39153
22	MOLDED PLUG		47726



Pedestal Exterior – Parts List

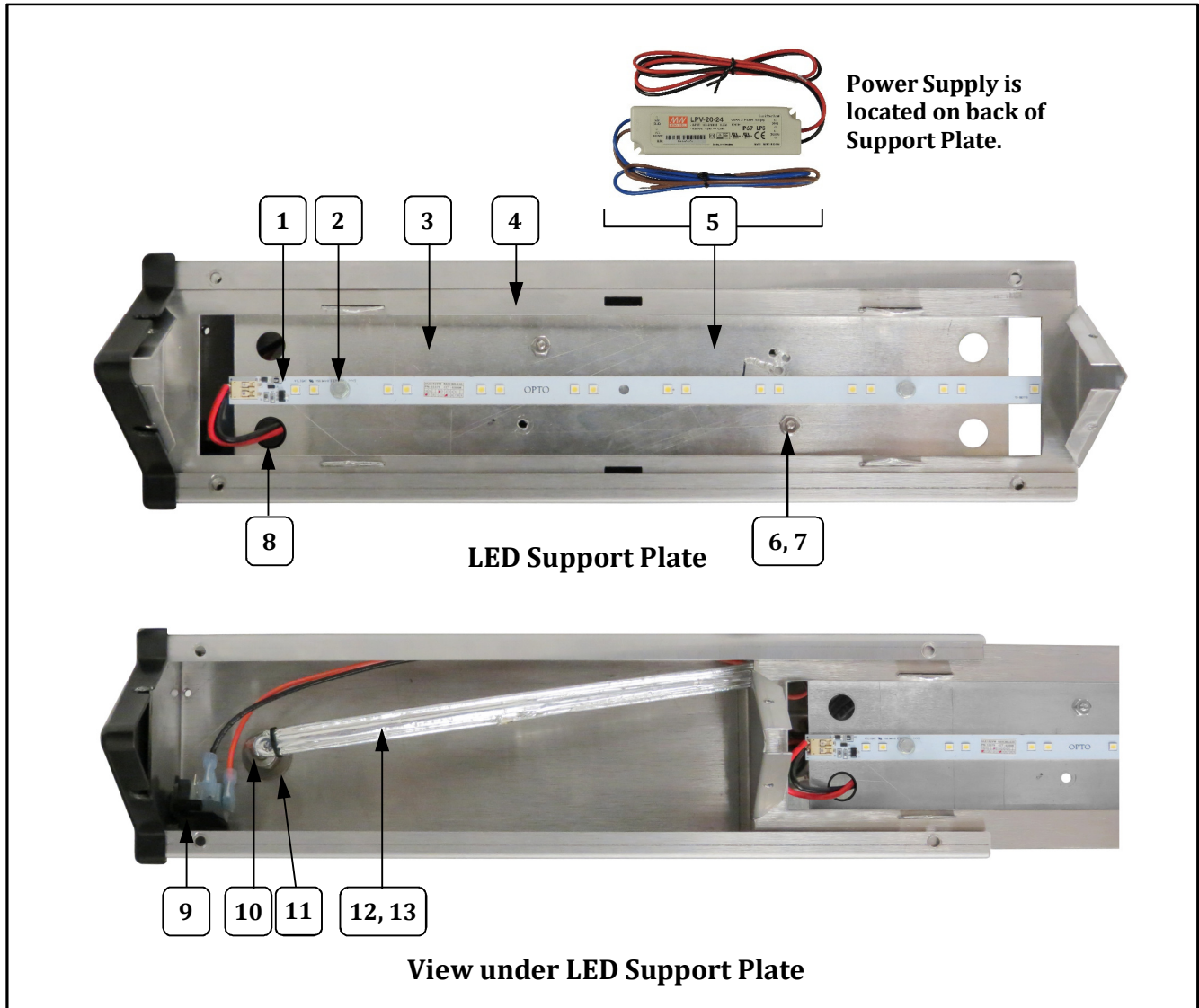
Item	Part Description	Part Number	
		2396-00-100 2396-00-110 2396-00-140	2396-00-101 2396-00-111
	COMPLETE PEDESTAL	77460	
1	LIGHT COVER ASSEMBLY (includes 2 screws, butter bracket, light cover)	103160	103160
2	SCREW #8 HEX WASHER HEAD	47771	47771
3	BUTTER BRACKET	103158	103158
4	LIGHT COVER	103159	103159
5	END CAP	69202	69202
6	PUSH DECAL	103081	103081
7	MOMENTARY SWITCH	38971	38971
8	NO DRIP SPOUT	38566	38566
9	DISPENSER LABEL	39142	39142
10	STRAIGHT CORD GRIP	55234	55234
11	SR 31-2 STRAIN RELIEF	41735	41735
12	PLUG WIRE HARNESS	100301	100301
13	FLAT WASHER 1/4 STAINLESS	87261	87261
14	1/4-20 ST STL WING NUT	12466	12466
15	PEDESTAL BACK PLATE	38872	38872
16	SCREW #8-32X3/8 PAN HD PH	74141	74141
17	MOLDED RECEPTACLE		41712
18	REMOTE SWITCH ASSEMBLY (complete assy.)		39154
19	DECAL		39181
20	SWITCH BOX		39152
21	SWITCH BOX BASE		39153
22	MOLDED PLUG		47726

Top Pedestal – Interior View



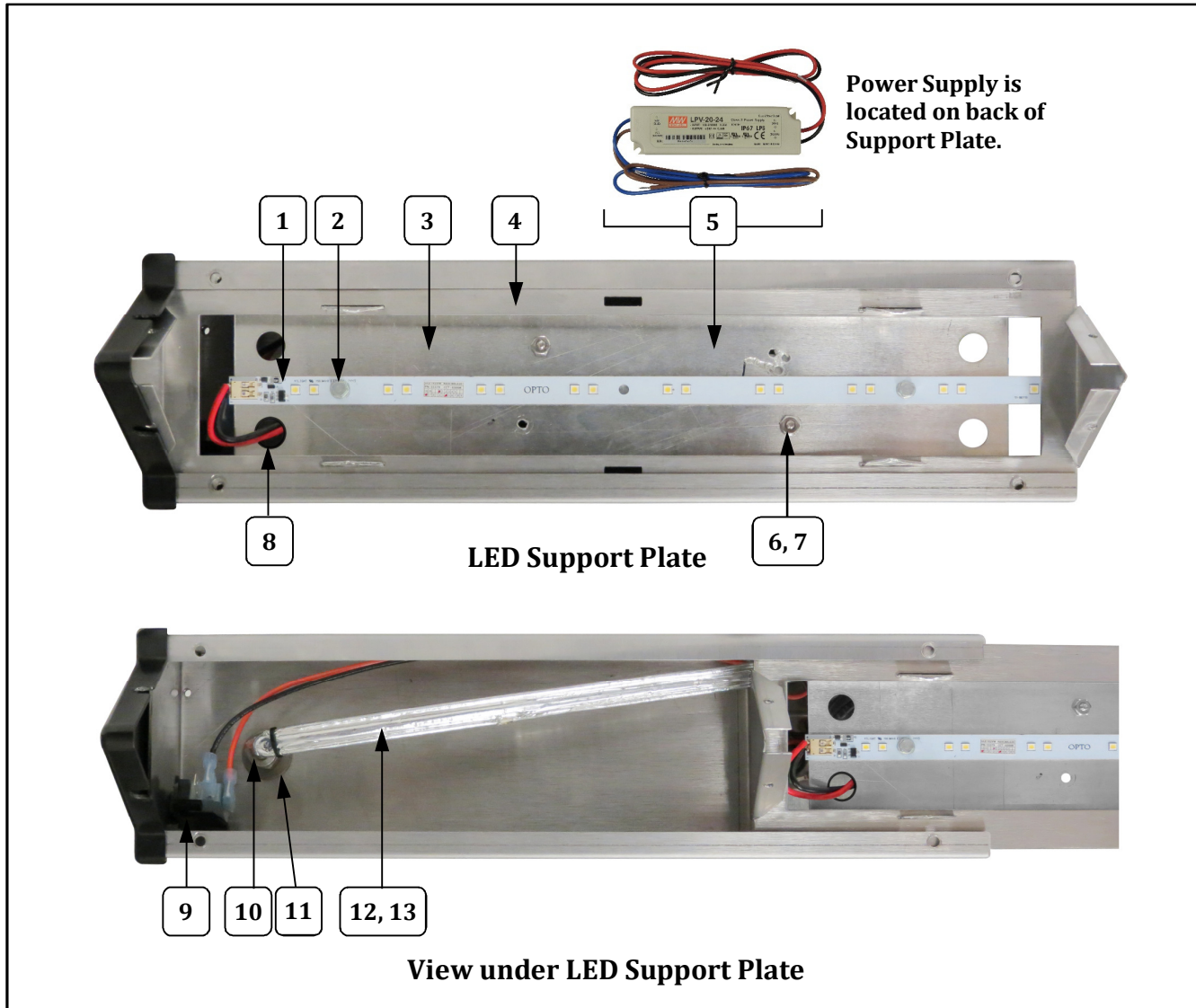
Item	Part Description	Part Number
		All Models
1	6 1W LED STRIP	55379
2	SCREW #8 HEX WASHER HEAD	47771
3	LED SUPPORT PLATE 2499	69167
4	TOP PEDISTAL PLATE 2499	69168
5	POWER SUPPLY 24VDC 20W	55394
6	6-32 X 1/2 SL PAN HD M/S	47516
7	6-32 HEX NUT ZINC PLATED	38005
8	BUSHING, SNAP .875 IN	45396
9	MOMENTARY SWITCH	38971
10	NO DRIP SPOUT	38566
11	1/2 FLAT WASHER, S.S.	12627
12	SPOUT (Aluminum Dispense Tube)	103082
13	FOIL HEAT ELEMENT 8W 120V	38970

Top Pedestal – Interior View



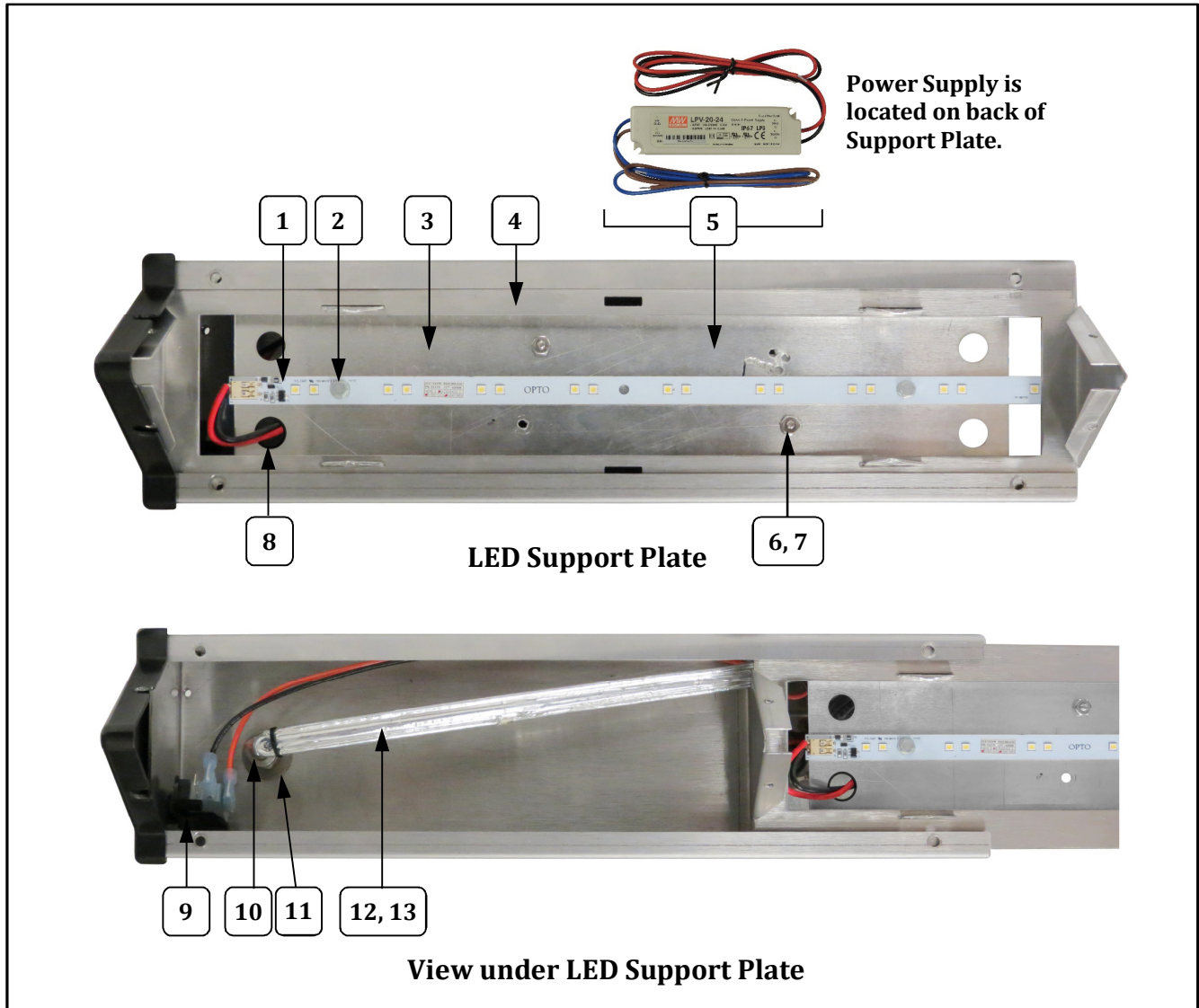
Item	Part Description	Part Number
		All Models
1	6 1W LED STRIP	55379
2	SCREW #8 HEX WASHER HEAD	47771
3	LED SUPPORT PLATE 2499	69167
4	TOP PEDISTAL PLATE 2499	69168
5	POWER SUPPLY 24VDC 20W	55394
6	6-32 X 1/2 SL PAN HD M/S	47516
7	6-32 HEX NUT ZINC PLATED	38005
8	BUSHING, SNAP .875 IN	45396
9	MOMENTARY SWITCH	38971
10	NO DRIP SPOUT	38566
11	1/2 FLAT WASHER, S.S.	12627
12	SPOUT (Aluminum Dispense Tube)	103082
13	FOIL HEAT ELEMENT 8W 120V	38970

Top Pedestal – Interior View



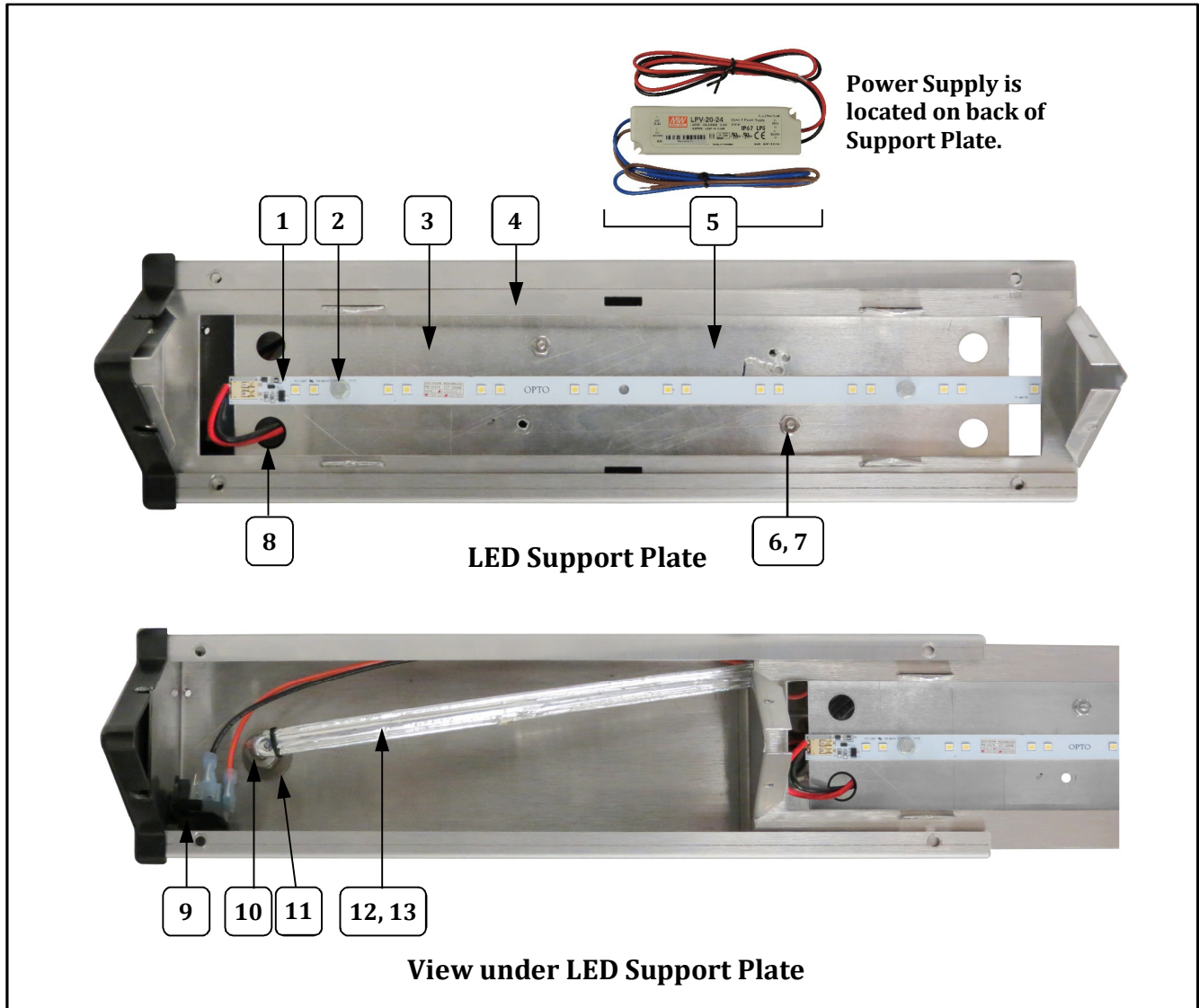
Item	Part Description	Part Number
		All Models
1	6 1W LED STRIP	55379
2	SCREW #8 HEX WASHER HEAD	47771
3	LED SUPPORT PLATE 2499	69167
4	TOP PEDISTAL PLATE 2499	69168
5	POWER SUPPLY 24VDC 20W	55394
6	6-32 X 1/2 SL PAN HD M/S	47516
7	6-32 HEX NUT ZINC PLATED	38005
8	BUSHING, SNAP .875 IN	45396
9	MOMENTARY SWITCH	38971
10	NO DRIP SPOUT	38566
11	1/2 FLAT WASHER, S.S.	12627
12	SPOUT (Aluminum Dispense Tube)	103082
13	FOIL HEAT ELEMENT 8W 120V	38970

Top Pedestal – Interior View



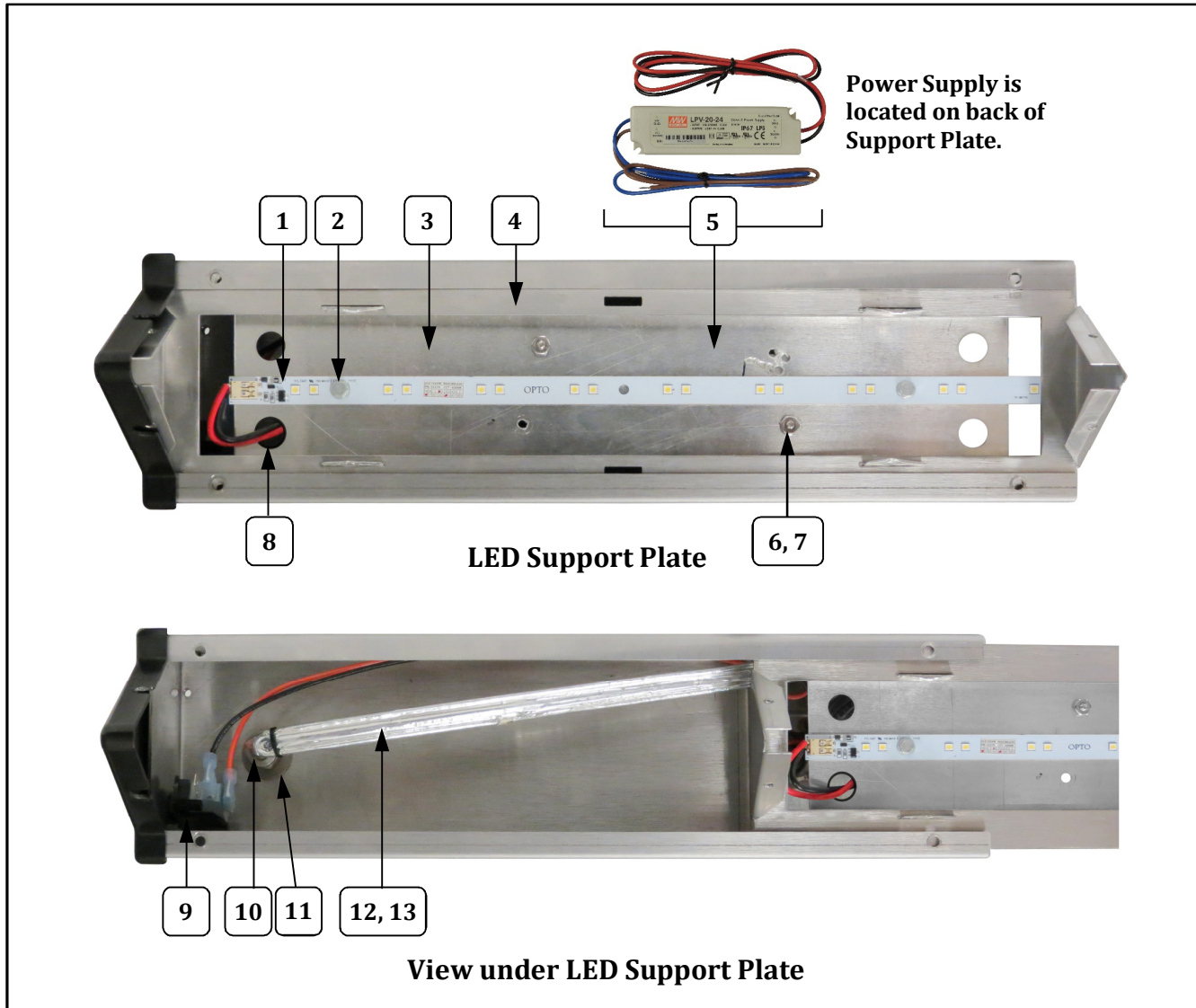
Item	Part Description	Part Number
		All Models
1	6 1W LED STRIP	55379
2	SCREW #8 HEX WASHER HEAD	47771
3	LED SUPPORT PLATE 2499	69167
4	TOP PEDISTAL PLATE 2499	69168
5	POWER SUPPLY 24VDC 20W	55394
6	6-32 X 1/2 SL PAN HD M/S	47516
7	6-32 HEX NUT ZINC PLATED	38005
8	BUSHING, SNAP .875 IN	45396
9	MOMENTARY SWITCH	38971
10	NO DRIP SPOUT	38566
11	1/2 FLAT WASHER, S.S.	12627
12	SPOUT (Aluminum Dispense Tube)	103082
13	FOIL HEAT ELEMENT 8W 120V	38970

Top Pedestal – Interior View



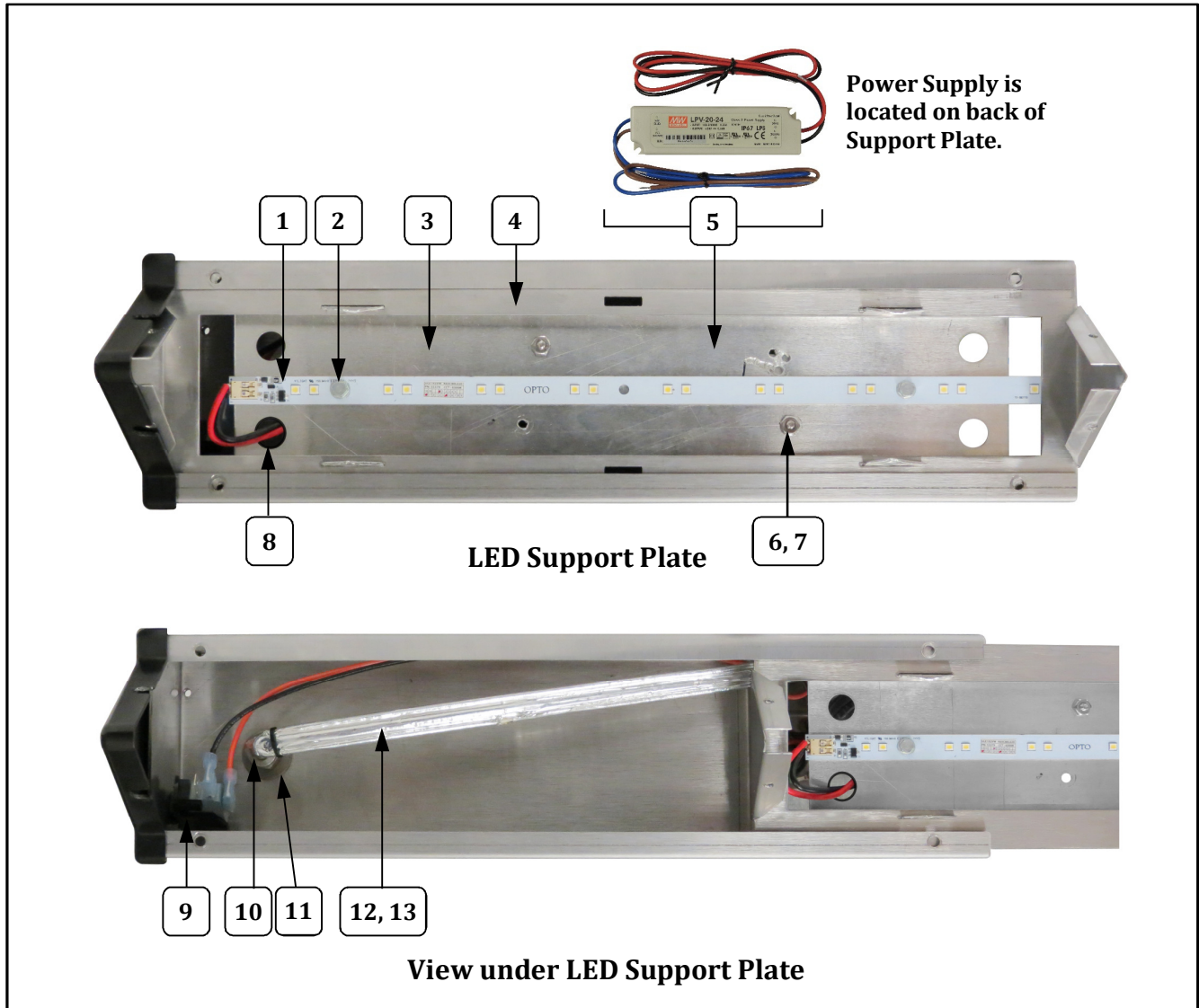
Item	Part Description	Part Number
		All Models
1	6 1W LED STRIP	55379
2	SCREW #8 HEX WASHER HEAD	47771
3	LED SUPPORT PLATE 2499	69167
4	TOP PEDISTAL PLATE 2499	69168
5	POWER SUPPLY 24VDC 20W	55394
6	6-32 X 1/2 SL PAN HD M/S	47516
7	6-32 HEX NUT ZINC PLATED	38005
8	BUSHING, SNAP .875 IN	45396
9	MOMENTARY SWITCH	38971
10	NO DRIP SPOUT	38566
11	1/2 FLAT WASHER, S.S.	12627
12	SPOUT (Aluminum Dispense Tube)	103082
13	FOIL HEAT ELEMENT 8W 120V	38970

Top Pedestal – Interior View



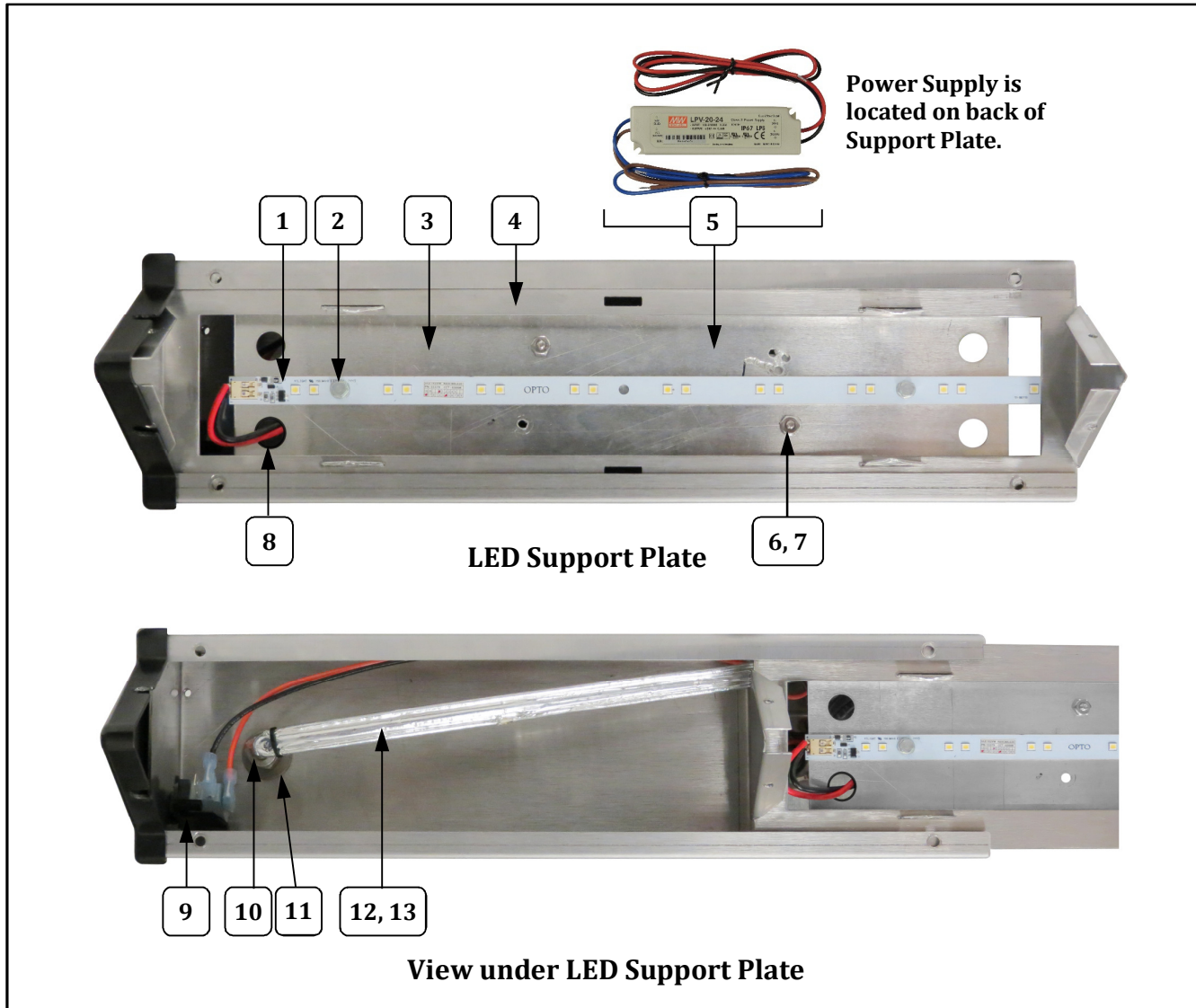
Item	Part Description	Part Number
		All Models
1	6 1W LED STRIP	55379
2	SCREW #8 HEX WASHER HEAD	47771
3	LED SUPPORT PLATE 2499	69167
4	TOP PEDISTAL PLATE 2499	69168
5	POWER SUPPLY 24VDC 20W	55394
6	6-32 X 1/2 SL PAN HD M/S	47516
7	6-32 HEX NUT ZINC PLATED	38005
8	BUSHING, SNAP .875 IN	45396
9	MOMENTARY SWITCH	38971
10	NO DRIP SPOUT	38566
11	1/2 FLAT WASHER, S.S.	12627
12	SPOUT (Aluminum Dispense Tube)	103082
13	FOIL HEAT ELEMENT 8W 120V	38970

Top Pedestal – Interior View



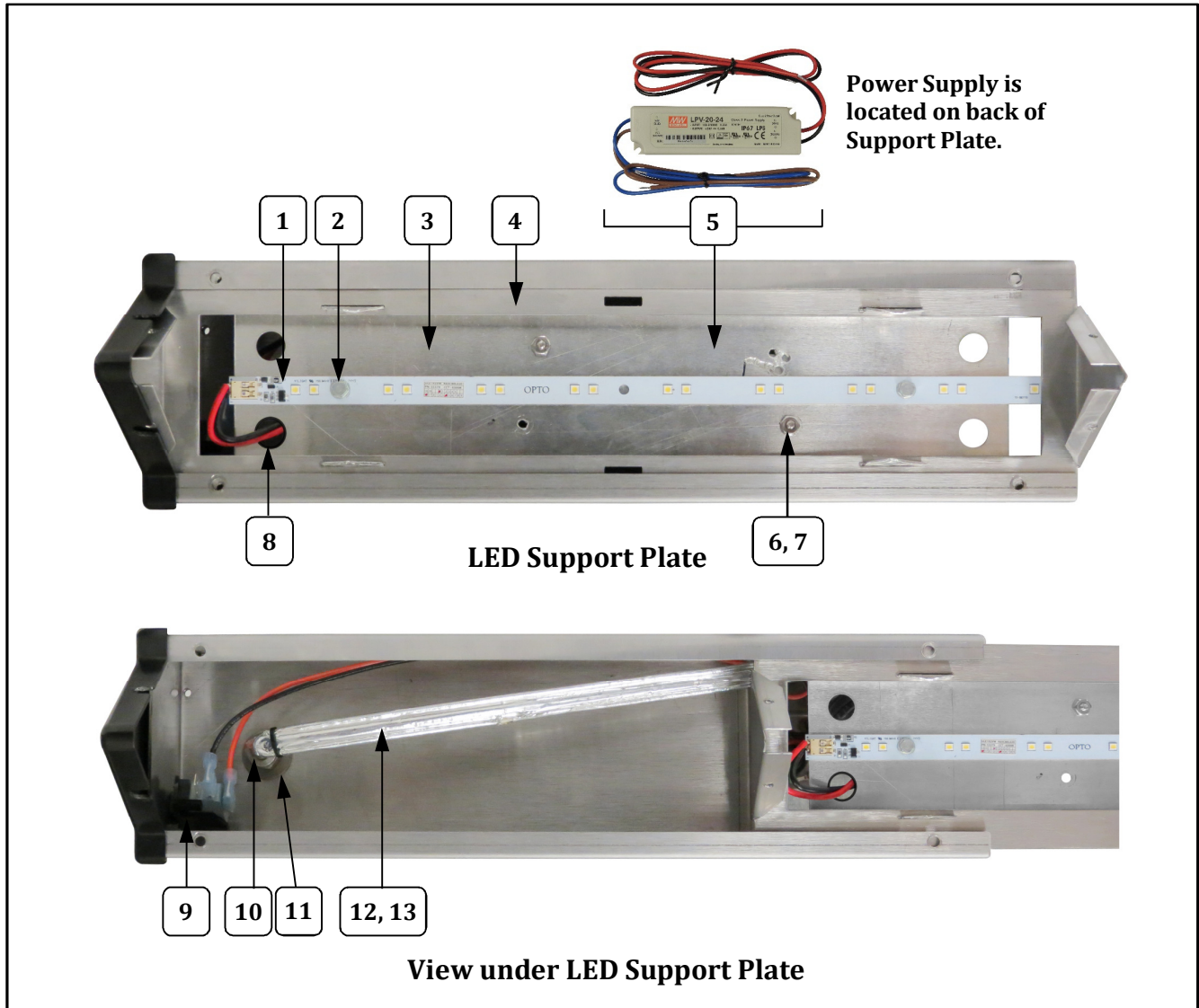
Item	Part Description	Part Number
		All Models
1	6 1W LED STRIP	55379
2	SCREW #8 HEX WASHER HEAD	47771
3	LED SUPPORT PLATE 2499	69167
4	TOP PEDISTAL PLATE 2499	69168
5	POWER SUPPLY 24VDC 20W	55394
6	6-32 X 1/2 SL PAN HD M/S	47516
7	6-32 HEX NUT ZINC PLATED	38005
8	BUSHING, SNAP .875 IN	45396
9	MOMENTARY SWITCH	38971
10	NO DRIP SPOUT	38566
11	1/2 FLAT WASHER, S.S.	12627
12	SPOUT (Aluminum Dispense Tube)	103082
13	FOIL HEAT ELEMENT 8W 120V	38970

Top Pedestal – Interior View



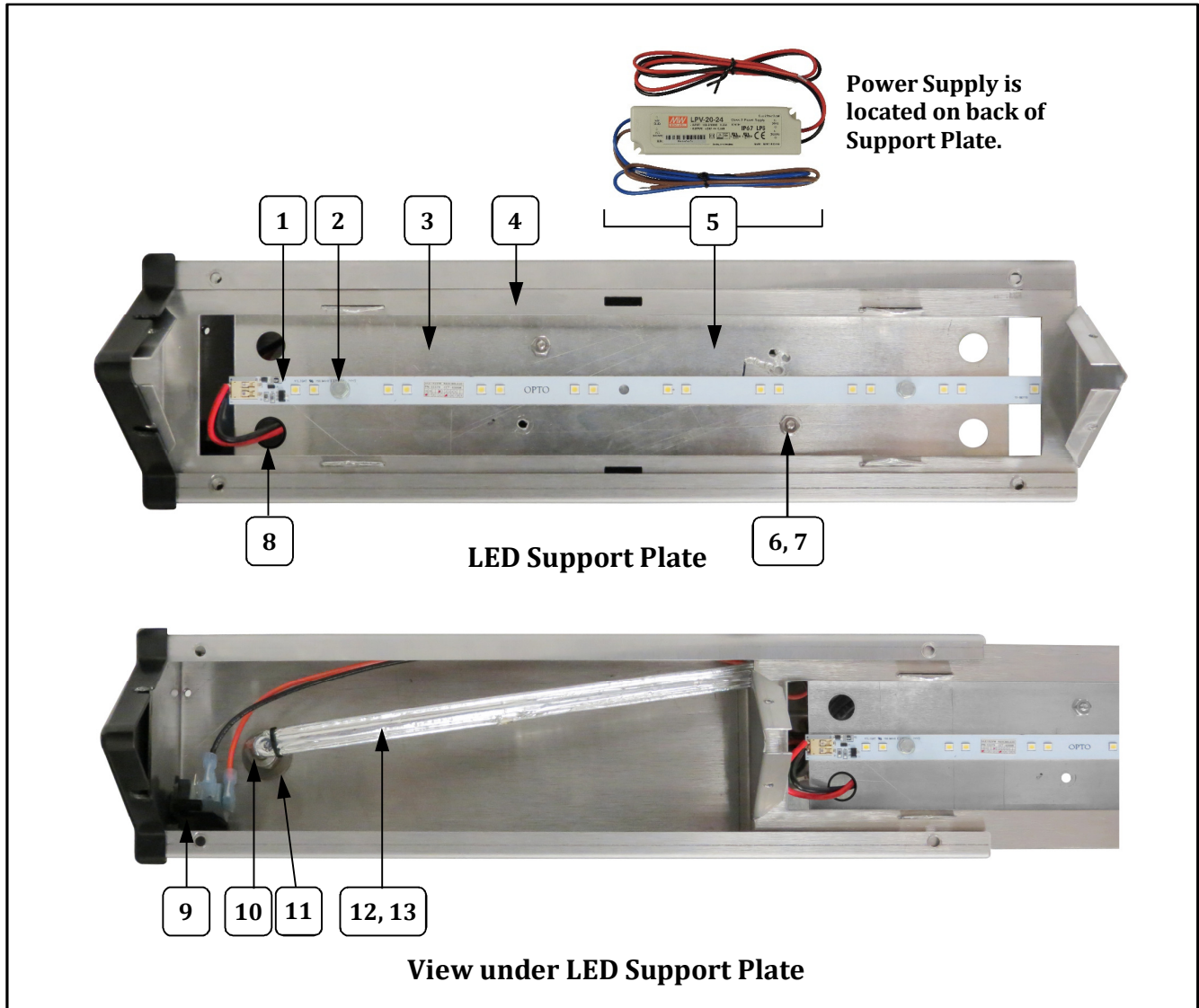
Item	Part Description	Part Number
		All Models
1	6 1W LED STRIP	55379
2	SCREW #8 HEX WASHER HEAD	47771
3	LED SUPPORT PLATE 2499	69167
4	TOP PEDISTAL PLATE 2499	69168
5	POWER SUPPLY 24VDC 20W	55394
6	6-32 X 1/2 SL PAN HD M/S	47516
7	6-32 HEX NUT ZINC PLATED	38005
8	BUSHING, SNAP .875 IN	45396
9	MOMENTARY SWITCH	38971
10	NO DRIP SPOUT	38566
11	1/2 FLAT WASHER, S.S.	12627
12	SPOUT (Aluminum Dispense Tube)	103082
13	FOIL HEAT ELEMENT 8W 120V	38970

Top Pedestal – Interior View



Item	Part Description	Part Number
		All Models
1	6 1W LED STRIP	55379
2	SCREW #8 HEX WASHER HEAD	47771
3	LED SUPPORT PLATE 2499	69167
4	TOP PEDISTAL PLATE 2499	69168
5	POWER SUPPLY 24VDC 20W	55394
6	6-32 X 1/2 SL PAN HD M/S	47516
7	6-32 HEX NUT ZINC PLATED	38005
8	BUSHING, SNAP .875 IN	45396
9	MOMENTARY SWITCH	38971
10	NO DRIP SPOUT	38566
11	1/2 FLAT WASHER, S.S.	12627
12	SPOUT (Aluminum Dispense Tube)	103082
13	FOIL HEAT ELEMENT 8W 120V	38970

Top Pedestal – Interior View



Item	Part Description	Part Number
		All Models
1	6 1W LED STRIP	55379
2	SCREW #8 HEX WASHER HEAD	47771
3	LED SUPPORT PLATE 2499	69167
4	TOP PEDISTAL PLATE 2499	69168
5	POWER SUPPLY 24VDC 20W	55394
6	6-32 X 1/2 SL PAN HD M/S	47516
7	6-32 HEX NUT ZINC PLATED	38005
8	BUSHING, SNAP .875 IN	45396
9	MOMENTARY SWITCH	38971
10	NO DRIP SPOUT	38566
11	1/2 FLAT WASHER, S.S.	12627
12	SPOUT (Aluminum Dispense Tube)	103082
13	FOIL HEAT ELEMENT 8W 120V	38970

Safety Labels

Unit Labels

Power Cord Label

Item	Part Description	Part Number
		All Models
1	HOSE CONNECT LABEL	79388
2	WARNING LABEL MAX FUSE 1A	79343
3	LBL CAUTION DISCONNECT PR	87149
4	SERVICE LABEL	87935
5	LBL WARN DISCONNECT POWER	74119
6	LABEL SAFE OPERATING INST	47010
7	WARNING LABEL CORD	68720

Accessories



Item	Part Description	Part Number
		All Models
1	DRIP PAN	69148
2	PAN INSERT WELDMENT	69201

Safety Labels

Unit Labels

Power Cord Label

Item	Part Description	Part Number
		All Models
1	HOSE CONNECT LABEL	79388
2	WARNING LABEL MAX FUSE 1A	79343
3	LBL CAUTION DISCONNECT PR	87149
4	SERVICE LABEL	87935
5	LBL WARN DISCONNECT POWER	74119
6	LABEL SAFE OPERATING INST	47010
7	WARNING LABEL CORD	68720

Accessories



Item	Part Description	Part Number
		All Models
1	DRIP PAN	69148
2	PAN INSERT WELDMENT	69201

Safety Labels

Unit Labels

Power Cord Label

Item	Part Description	Part Number
		All Models
1	HOSE CONNECT LABEL	79388
2	WARNING LABEL MAX FUSE 1A	79343
3	LBL CAUTION DISCONNECT PR	87149
4	SERVICE LABEL	87935
5	LBL WARN DISCONNECT POWER	74119
6	LABEL SAFE OPERATING INST	47010
7	WARNING LABEL CORD	68720

Accessories



Item	Part Description	Part Number
		All Models
1	DRIP PAN	69148
2	PAN INSERT WELDMENT	69201

Safety Labels

Unit Labels

Power Cord Label

Item	Part Description	Part Number
		All Models
1	HOSE CONNECT LABEL	79388
2	WARNING LABEL MAX FUSE 1A	79343
3	LBL CAUTION DISCONNECT PR	87149
4	SERVICE LABEL	87935
5	LBL WARN DISCONNECT POWER	74119
6	LABEL SAFE OPERATING INST	47010
7	WARNING LABEL CORD	68720

Accessories



Item	Part Description	Part Number
		All Models
1	DRIP PAN	69148
2	PAN INSERT WELDMENT	69201

Safety Labels

Unit Labels

Power Cord Label

Item	Part Description	Part Number
		All Models
1	HOSE CONNECT LABEL	79388
2	WARNING LABEL MAX FUSE 1A	79343
3	LBL CAUTION DISCONNECT PR	87149
4	SERVICE LABEL	87935
5	LBL WARN DISCONNECT POWER	74119
6	LABEL SAFE OPERATING INST	47010
7	WARNING LABEL CORD	68720

Accessories



Item	Part Description	Part Number
		All Models
1	DRIP PAN	69148
2	PAN INSERT WELDMENT	69201

Safety Labels

Unit Labels

Power Cord Label

Item	Part Description	Part Number
		All Models
1	HOSE CONNECT LABEL	79388
2	WARNING LABEL MAX FUSE 1A	79343
3	LBL CAUTION DISCONNECT PR	87149
4	SERVICE LABEL	87935
5	LBL WARN DISCONNECT POWER	74119
6	LABEL SAFE OPERATING INST	47010
7	WARNING LABEL CORD	68720

Accessories



Item	Part Description	Part Number
		All Models
1	DRIP PAN	69148
2	PAN INSERT WELDMENT	69201

Safety Labels

Unit Labels

Power Cord Label

Item	Part Description	Part Number
		All Models
1	HOSE CONNECT LABEL	79388
2	WARNING LABEL MAX FUSE 1A	79343
3	LBL CAUTION DISCONNECT PR	87149
4	SERVICE LABEL	87935
5	LBL WARN DISCONNECT POWER	74119
6	LABEL SAFE OPERATING INST	47010
7	WARNING LABEL CORD	68720

Accessories



Item	Part Description	Part Number
		All Models
1	DRIP PAN	69148
2	PAN INSERT WELDMENT	69201