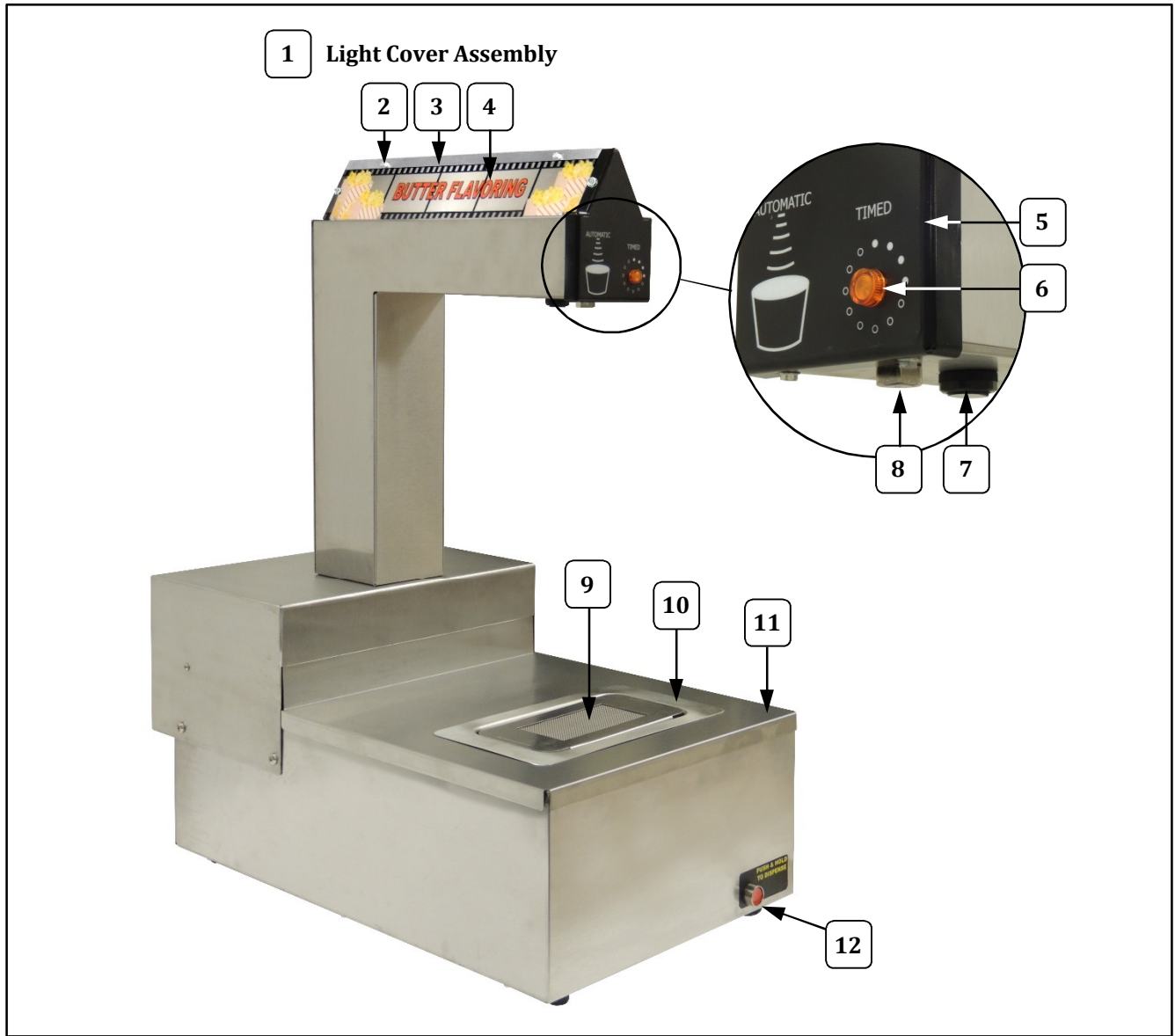




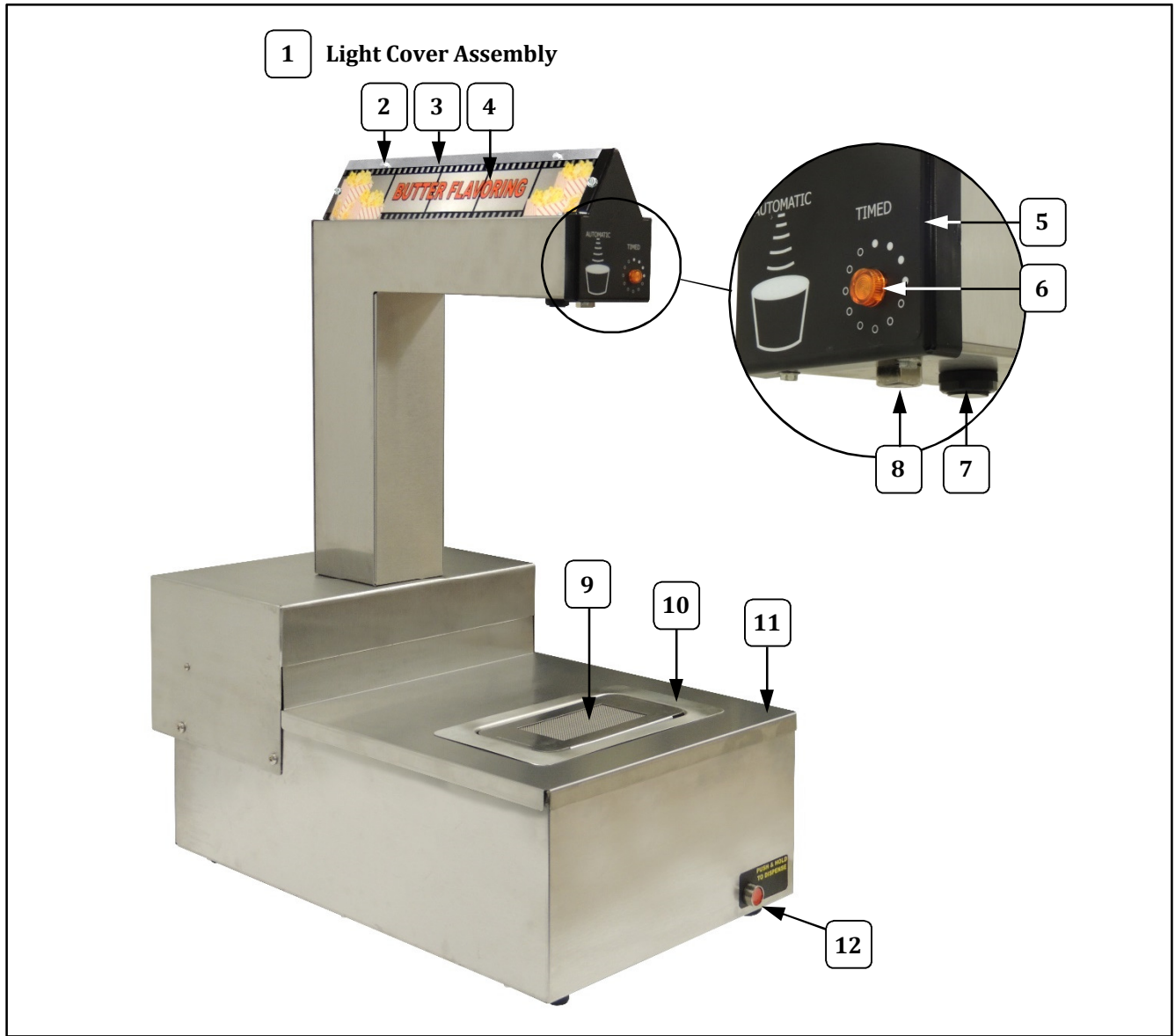
Unit Exterior – Front View



Item	Part Description	Qty.	Part No. 2499A
1	LIGHT COVER ASSEMBLY (includes 2 screws, butter bracket, light cover)	1	103160
2	SCREW #8 HEX WASHER HEAD	4	47771
3	BUTTER BRACKET	1	103158
4	LIGHT COVER	2	103159
5	END CAP	1	69202
6	LED INDICATOR 24VDC AMBER	1	69181
7	PHOTOELECTRIC SENSOR	1	69174
8	NO DRIP SPOUT	1	38566
9	DRIP PAN INSERT	1	69201
10	DRIP PAN	1	69148
11	TOP PAN	1	69195
12	MOMENTARY SWITCH	1	38971



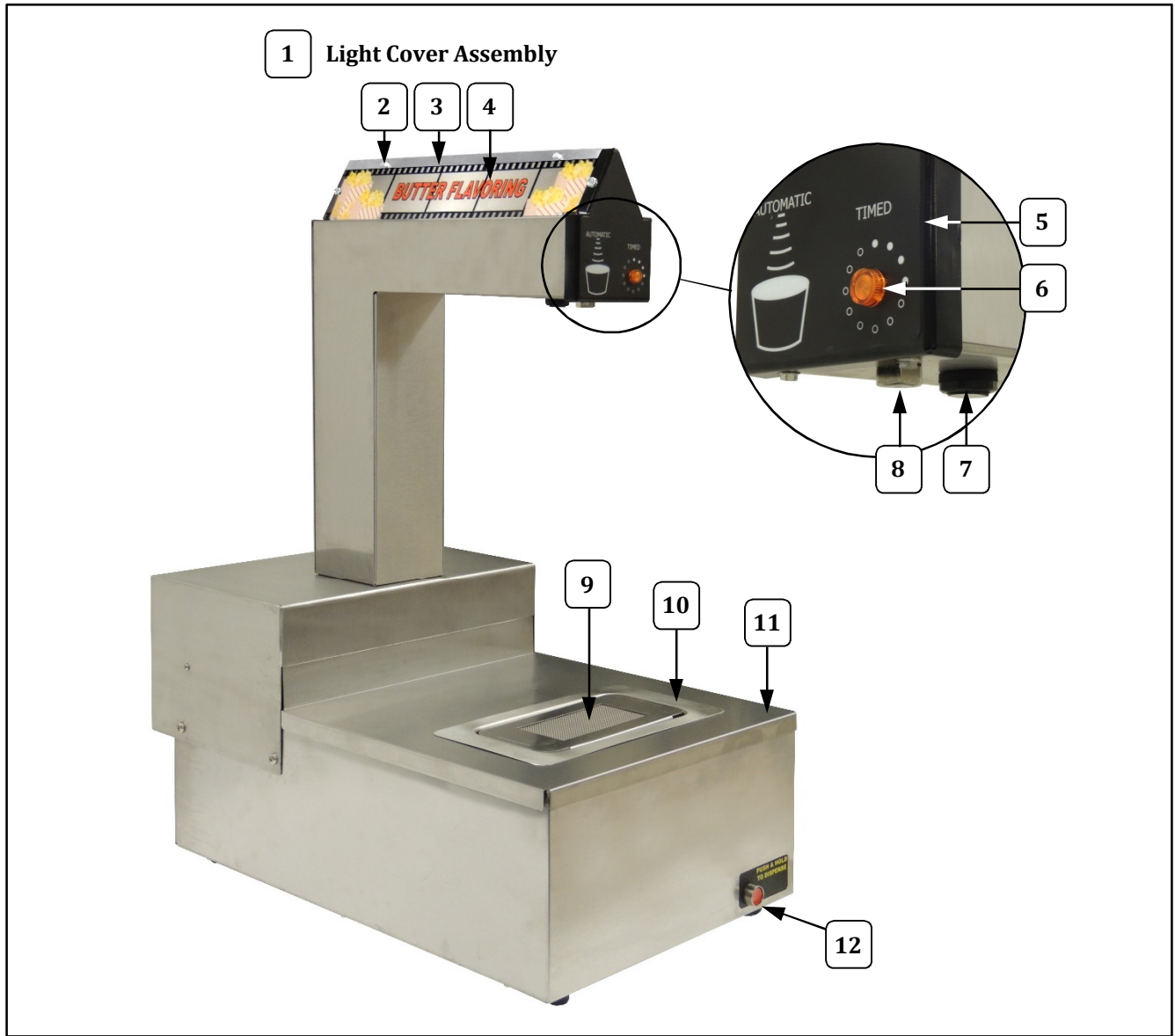
Unit Exterior – Front View



Item	Part Description	Qty.	Part No. 2499A
1	LIGHT COVER ASSEMBLY (includes 2 screws, butter bracket, light cover)	1	103160
2	SCREW #8 HEX WASHER HEAD	4	47771
3	BUTTER BRACKET	1	103158
4	LIGHT COVER	2	103159
5	END CAP	1	69202
6	LED INDICATOR 24VDC AMBER	1	69181
7	PHOTOELECTRIC SENSOR	1	69174
8	NO DRIP SPOUT	1	38566
9	DRIP PAN INSERT	1	69201
10	DRIP PAN	1	69148
11	TOP PAN	1	69195
12	MOMENTARY SWITCH	1	38971



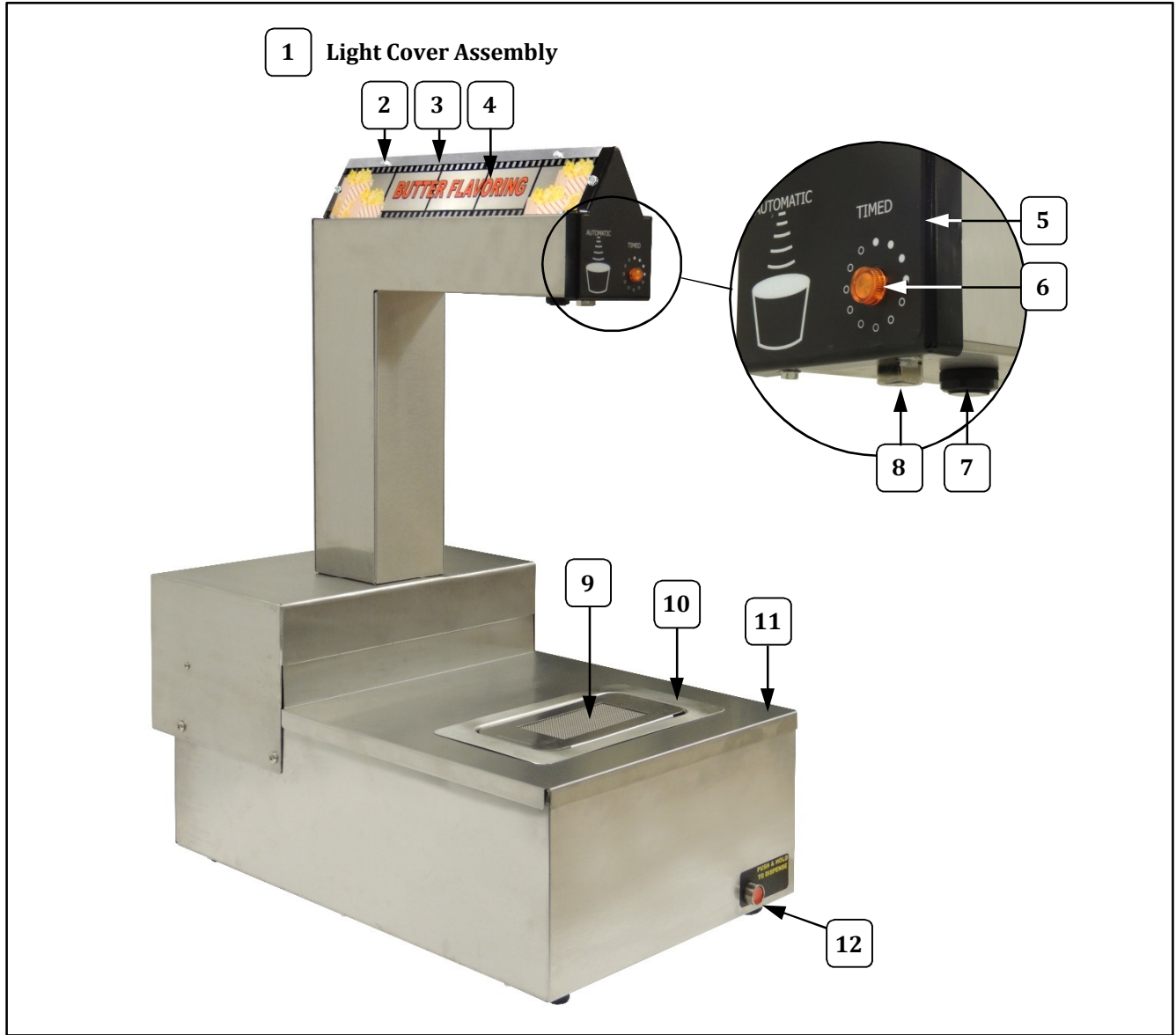
Unit Exterior – Front View



Item	Part Description	Qty.	Part No. 2499A
1	LIGHT COVER ASSEMBLY (includes 2 screws, butter bracket, light cover)	1	103160
2	SCREW #8 HEX WASHER HEAD	4	47771
3	BUTTER BRACKET	1	103158
4	LIGHT COVER	2	103159
5	END CAP	1	69202
6	LED INDICATOR 24VDC AMBER	1	69181
7	PHOTOELECTRIC SENSOR	1	69174
8	NO DRIP SPOUT	1	38566
9	DRIP PAN INSERT	1	69201
10	DRIP PAN	1	69148
11	TOP PAN	1	69195
12	MOMENTARY SWITCH	1	38971



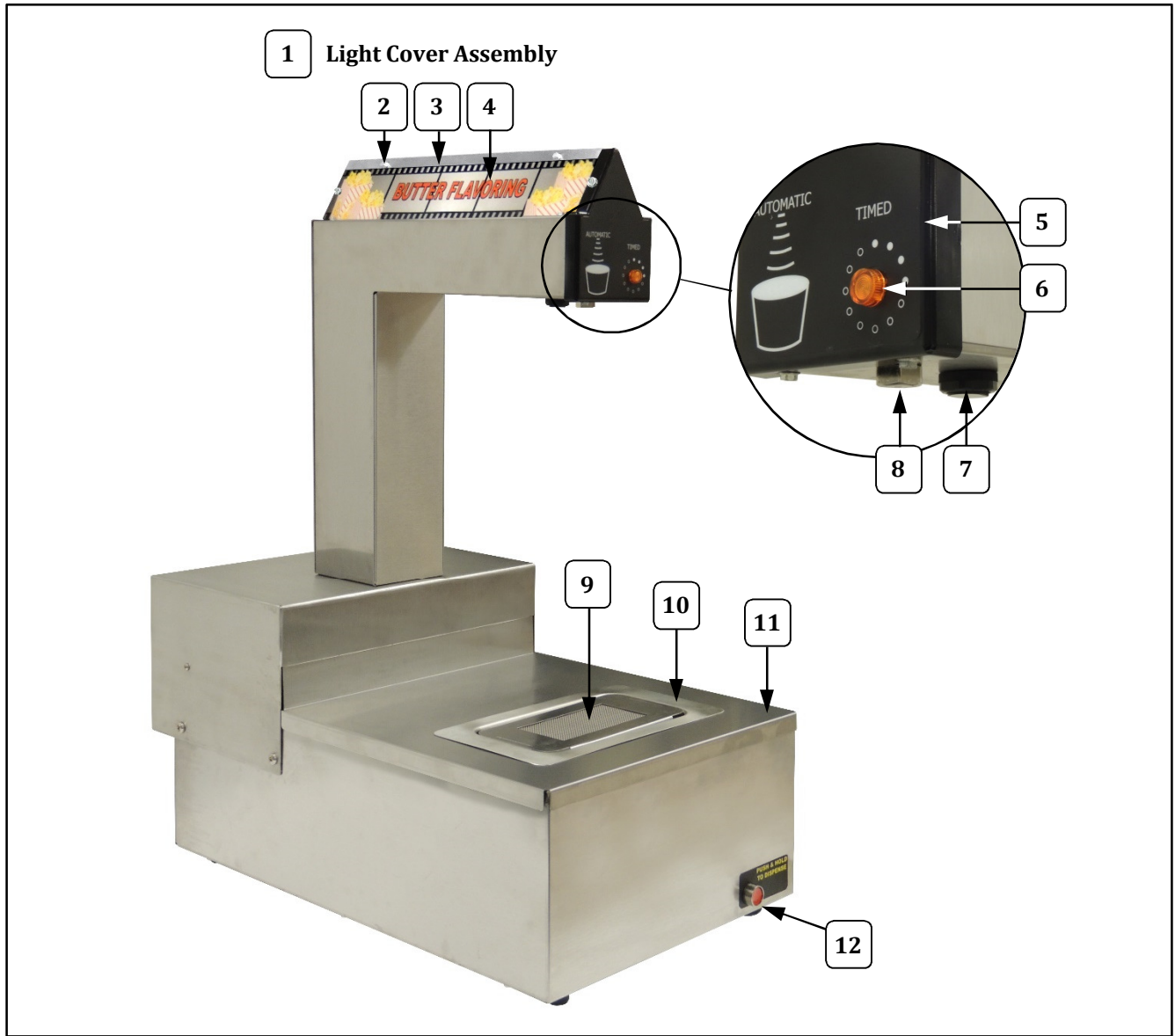
Unit Exterior – Front View



Item	Part Description	Qty.	Part No. 2499A
1	LIGHT COVER ASSEMBLY (includes 2 screws, butter bracket, light cover)	1	103160
2	SCREW #8 HEX WASHER HEAD	4	47771
3	BUTTER BRACKET	1	103158
4	LIGHT COVER	2	103159
5	END CAP	1	69202
6	LED INDICATOR 24VDC AMBER	1	69181
7	PHOTOELECTRIC SENSOR	1	69174
8	NO DRIP SPOUT	1	38566
9	DRIP PAN INSERT	1	69201
10	DRIP PAN	1	69148
11	TOP PAN	1	69195
12	MOMENTARY SWITCH	1	38971



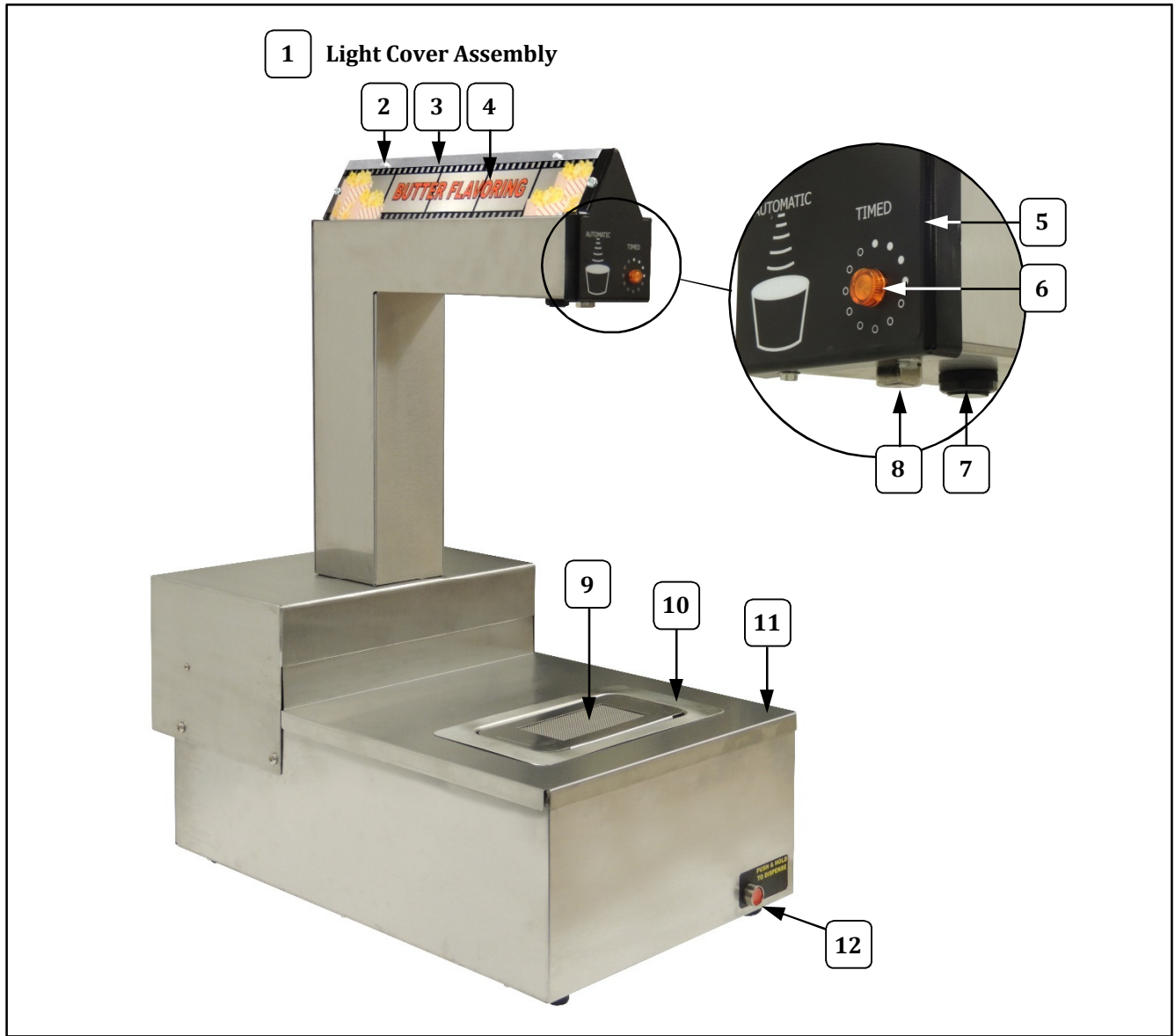
Unit Exterior – Front View



Item	Part Description	Qty.	Part No. 2499A
1	LIGHT COVER ASSEMBLY (includes 2 screws, butter bracket, light cover)	1	103160
2	SCREW #8 HEX WASHER HEAD	4	47771
3	BUTTER BRACKET	1	103158
4	LIGHT COVER	2	103159
5	END CAP	1	69202
6	LED INDICATOR 24VDC AMBER	1	69181
7	PHOTOELECTRIC SENSOR	1	69174
8	NO DRIP SPOUT	1	38566
9	DRIP PAN INSERT	1	69201
10	DRIP PAN	1	69148
11	TOP PAN	1	69195
12	MOMENTARY SWITCH	1	38971



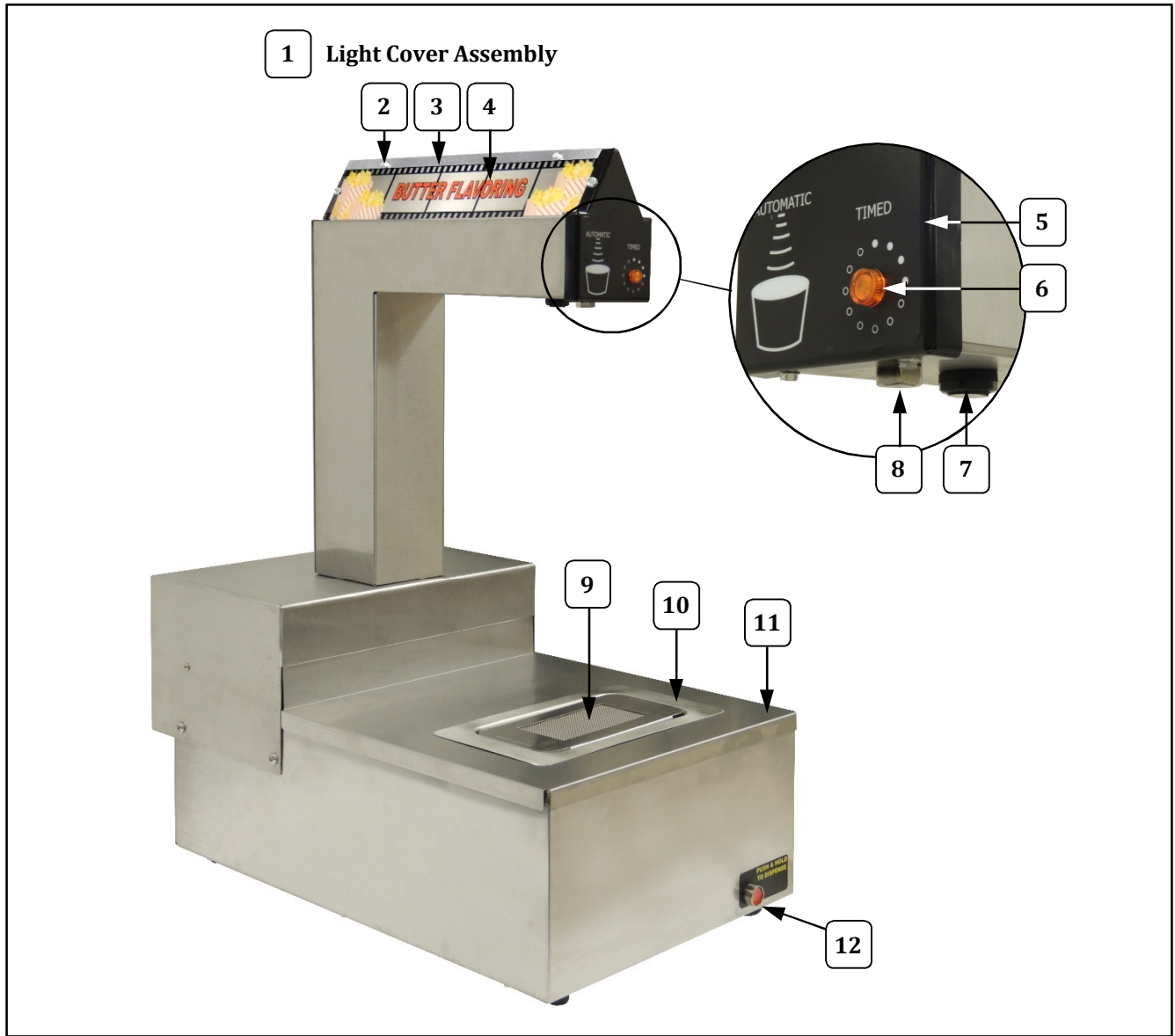
Unit Exterior – Front View



Item	Part Description	Qty.	Part No. 2499A
1	LIGHT COVER ASSEMBLY (includes 2 screws, butter bracket, light cover)	1	103160
2	SCREW #8 HEX WASHER HEAD	4	47771
3	BUTTER BRACKET	1	103158
4	LIGHT COVER	2	103159
5	END CAP	1	69202
6	LED INDICATOR 24VDC AMBER	1	69181
7	PHOTOELECTRIC SENSOR	1	69174
8	NO DRIP SPOUT	1	38566
9	DRIP PAN INSERT	1	69201
10	DRIP PAN	1	69148
11	TOP PAN	1	69195
12	MOMENTARY SWITCH	1	38971



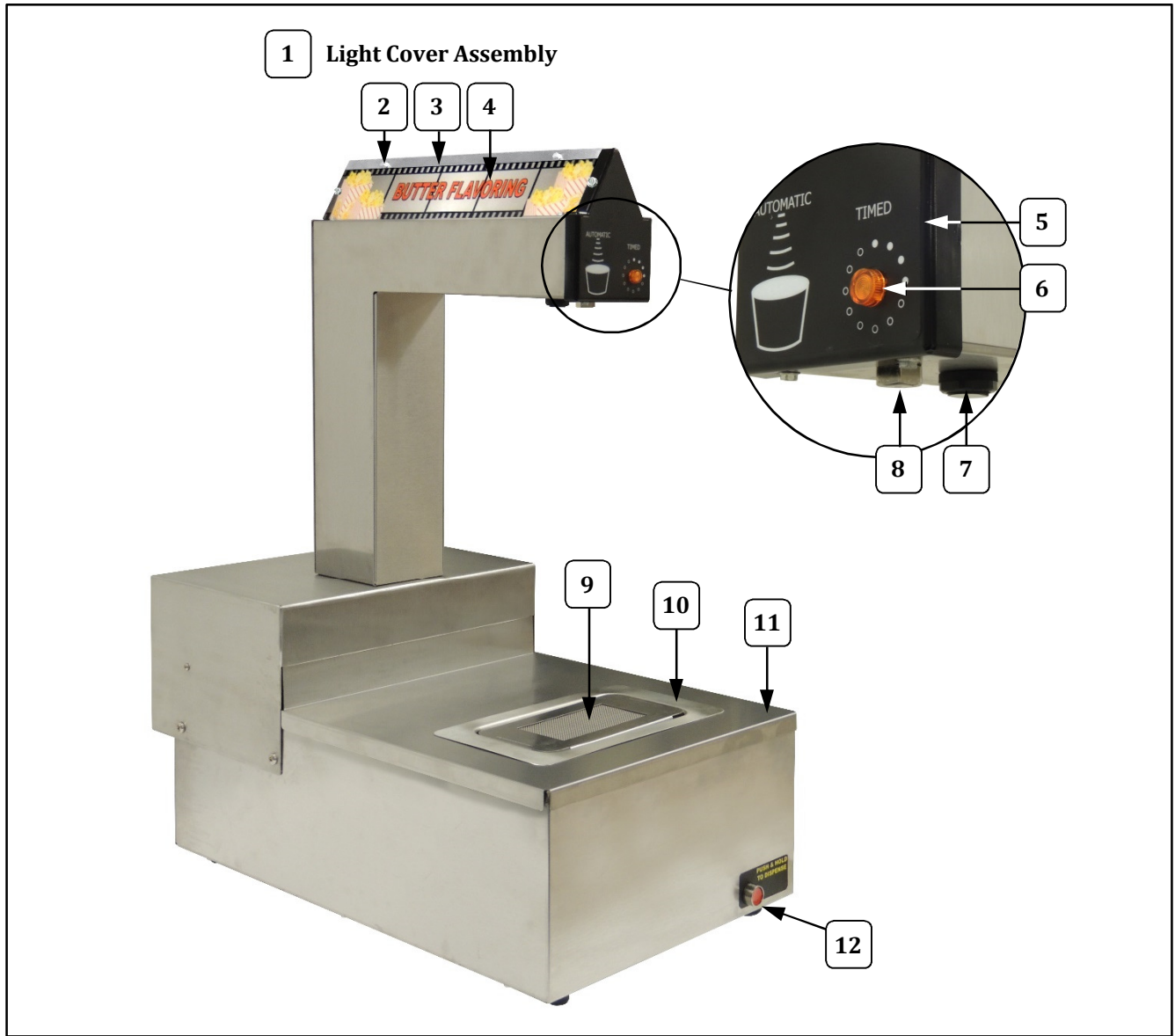
Unit Exterior – Front View



Item	Part Description	Qty.	Part No. 2499A
1	LIGHT COVER ASSEMBLY (includes 2 screws, butter bracket, light cover)	1	103160
2	SCREW #8 HEX WASHER HEAD	4	47771
3	BUTTER BRACKET	1	103158
4	LIGHT COVER	2	103159
5	END CAP	1	69202
6	LED INDICATOR 24VDC AMBER	1	69181
7	PHOTOELECTRIC SENSOR	1	69174
8	NO DRIP SPOUT	1	38566
9	DRIP PAN INSERT	1	69201
10	DRIP PAN	1	69148
11	TOP PAN	1	69195
12	MOMENTARY SWITCH	1	38971



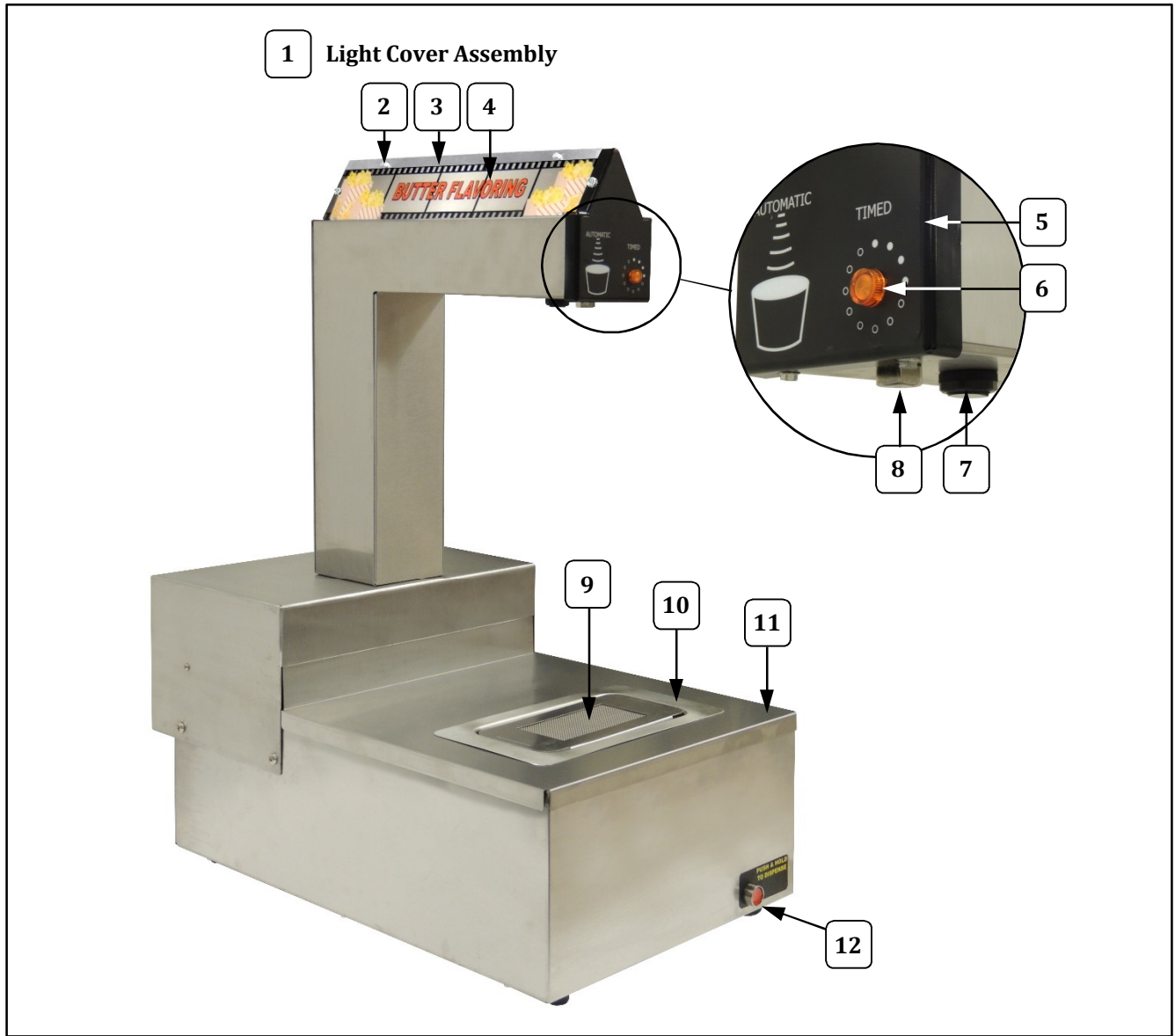
Unit Exterior – Front View



Item	Part Description	Qty.	Part No. 2499A
1	LIGHT COVER ASSEMBLY (includes 2 screws, butter bracket, light cover)	1	103160
2	SCREW #8 HEX WASHER HEAD	4	47771
3	BUTTER BRACKET	1	103158
4	LIGHT COVER	2	103159
5	END CAP	1	69202
6	LED INDICATOR 24VDC AMBER	1	69181
7	PHOTOELECTRIC SENSOR	1	69174
8	NO DRIP SPOUT	1	38566
9	DRIP PAN INSERT	1	69201
10	DRIP PAN	1	69148
11	TOP PAN	1	69195
12	MOMENTARY SWITCH	1	38971



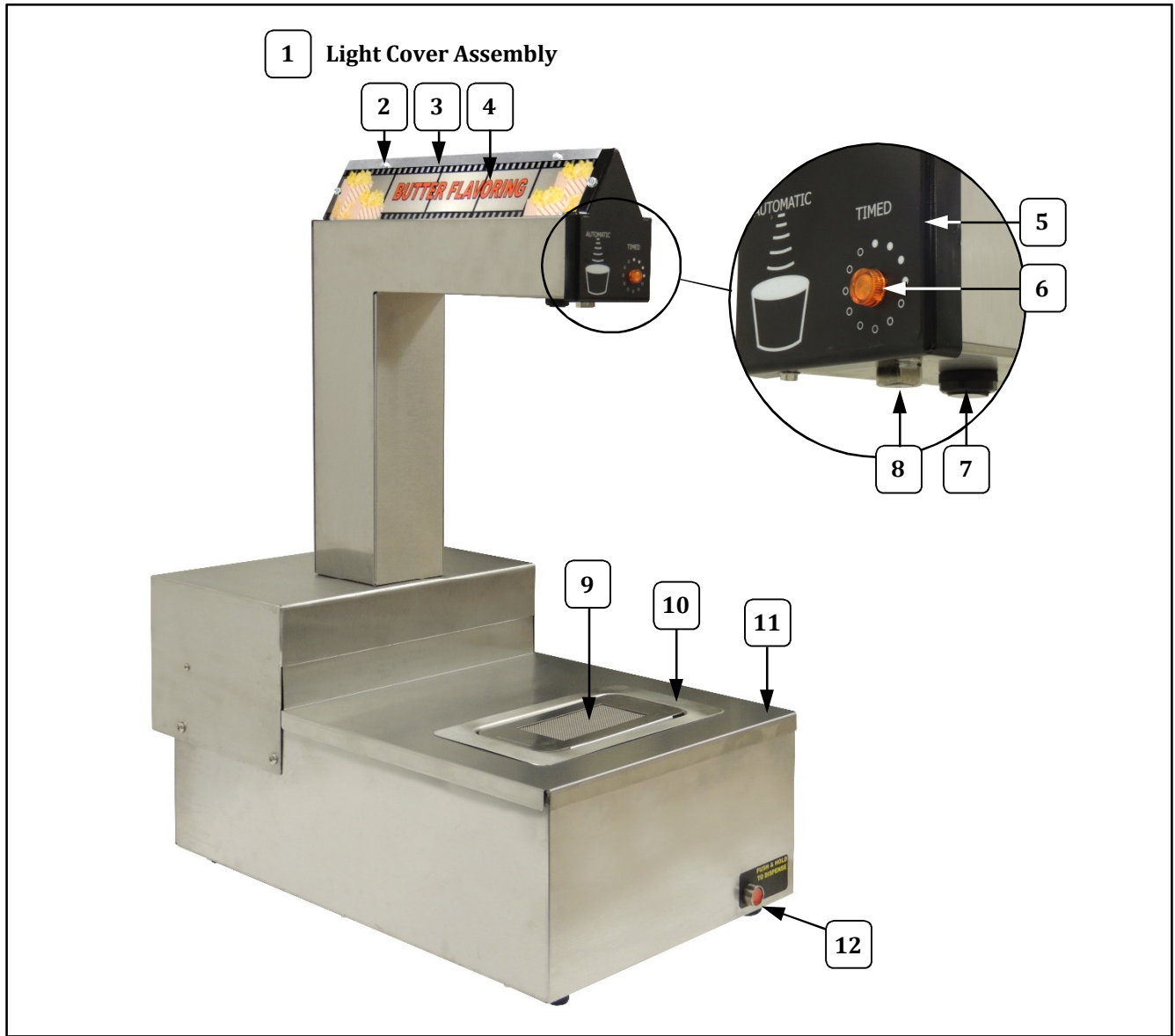
Unit Exterior – Front View



Item	Part Description	Qty.	Part No. 2499A
1	LIGHT COVER ASSEMBLY (includes 2 screws, butter bracket, light cover)	1	103160
2	SCREW #8 HEX WASHER HEAD	4	47771
3	BUTTER BRACKET	1	103158
4	LIGHT COVER	2	103159
5	END CAP	1	69202
6	LED INDICATOR 24VDC AMBER	1	69181
7	PHOTOELECTRIC SENSOR	1	69174
8	NO DRIP SPOUT	1	38566
9	DRIP PAN INSERT	1	69201
10	DRIP PAN	1	69148
11	TOP PAN	1	69195
12	MOMENTARY SWITCH	1	38971



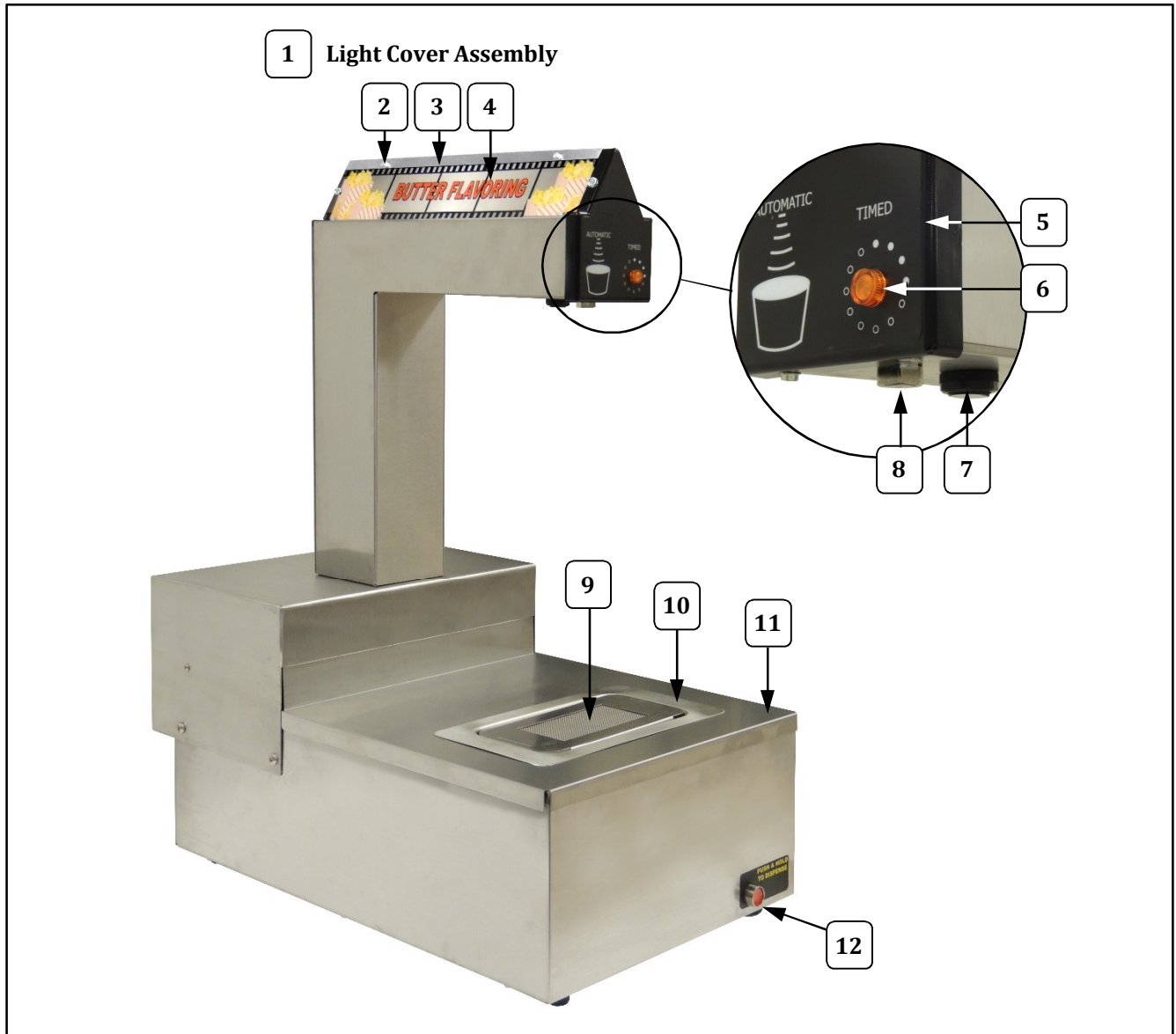
Unit Exterior – Front View



Item	Part Description	Qty.	Part No. 2499A
1	LIGHT COVER ASSEMBLY (includes 2 screws, butter bracket, light cover)	1	103160
2	SCREW #8 HEX WASHER HEAD	4	47771
3	BUTTER BRACKET	1	103158
4	LIGHT COVER	2	103159
5	END CAP	1	69202
6	LED INDICATOR 24VDC AMBER	1	69181
7	PHOTOELECTRIC SENSOR	1	69174
8	NO DRIP SPOUT	1	38566
9	DRIP PAN INSERT	1	69201
10	DRIP PAN	1	69148
11	TOP PAN	1	69195
12	MOMENTARY SWITCH	1	38971



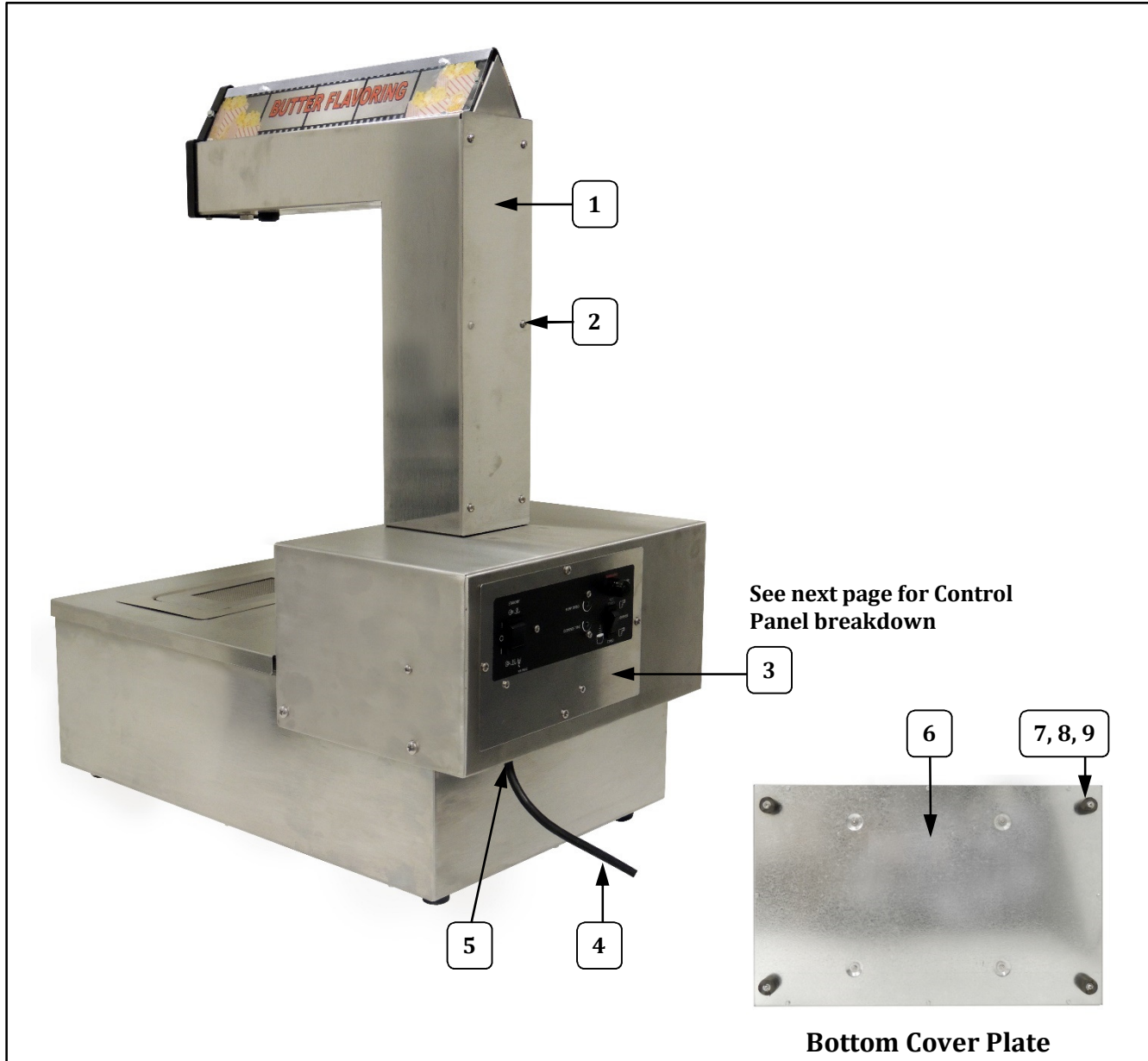
Unit Exterior – Front View



Item	Part Description	Qty.	Part No. 2499A
1	LIGHT COVER ASSEMBLY (includes 2 screws, butter bracket, light cover)	1	103160
2	SCREW #8 HEX WASHER HEAD	4	47771
3	BUTTER BRACKET	1	103158
4	LIGHT COVER	2	103159
5	END CAP	1	69202
6	LED INDICATOR 24VDC AMBER	1	69181
7	PHOTOELECTRIC SENSOR	1	69174
8	NO DRIP SPOUT	1	38566
9	DRIP PAN INSERT	1	69201
10	DRIP PAN	1	69148
11	TOP PAN	1	69195
12	MOMENTARY SWITCH	1	38971



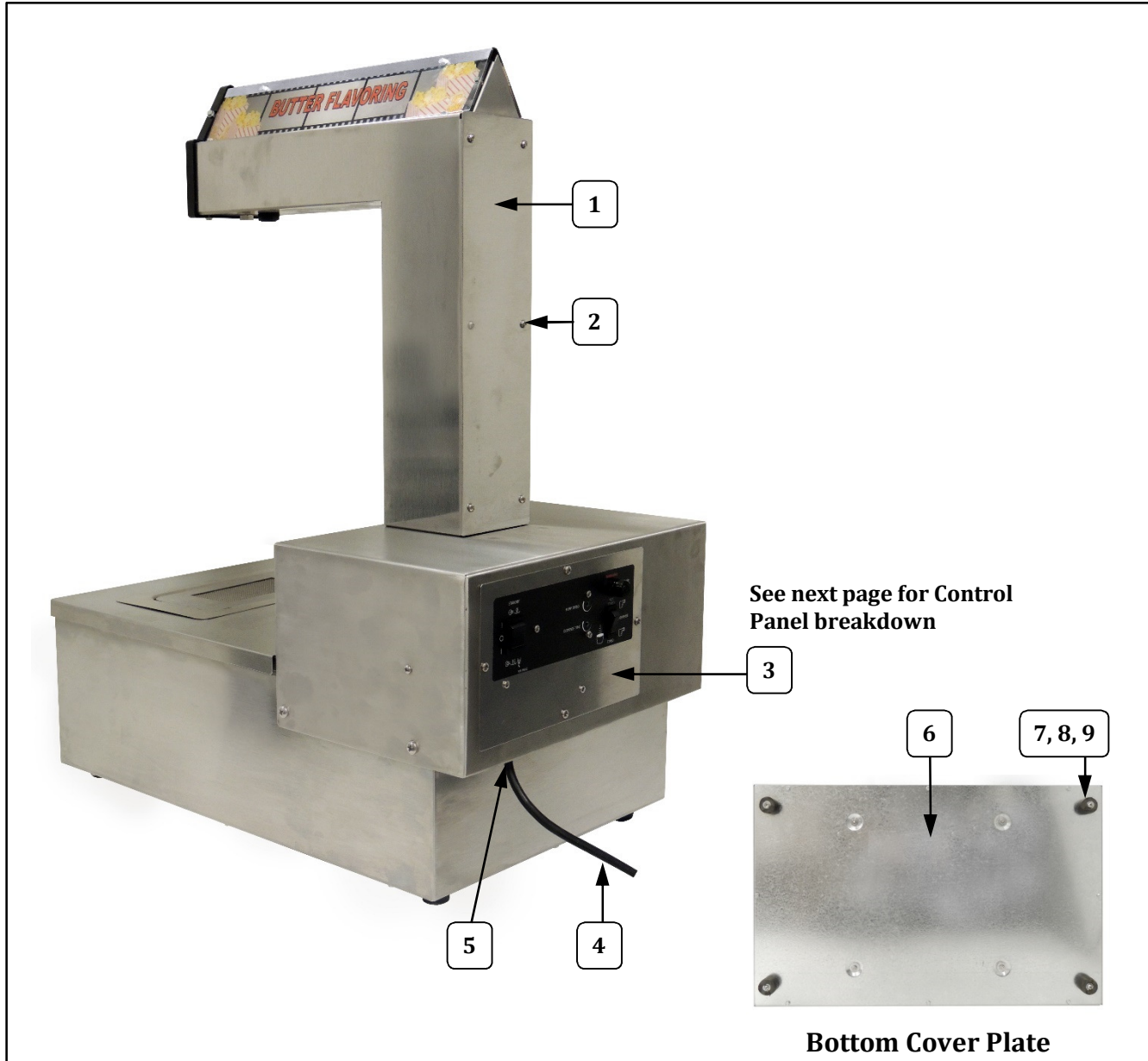
Unit Exterior – Rear and Bottom View



Item	Part Description	Qty.	Part No.
			2499A
1	BACK COVER 2499	1	69169
2	8-32 X 1/4 PHIL PAN M/S	12	87314
3	SWITCH PLATE 2499A	1	69203
4	LEAD-IN CORD 15 AMP PLUG	1	22038
5	STRAIN RELIEF #SR-6P3-4	1	76026
6	CASE BOTTOM COVER	1	88538
7	RUBBER FEET	4	41282
8	10-24 X 1 1/8 PAN HEAD	4	47128
9	ACORN NUT #10-24	4	46528



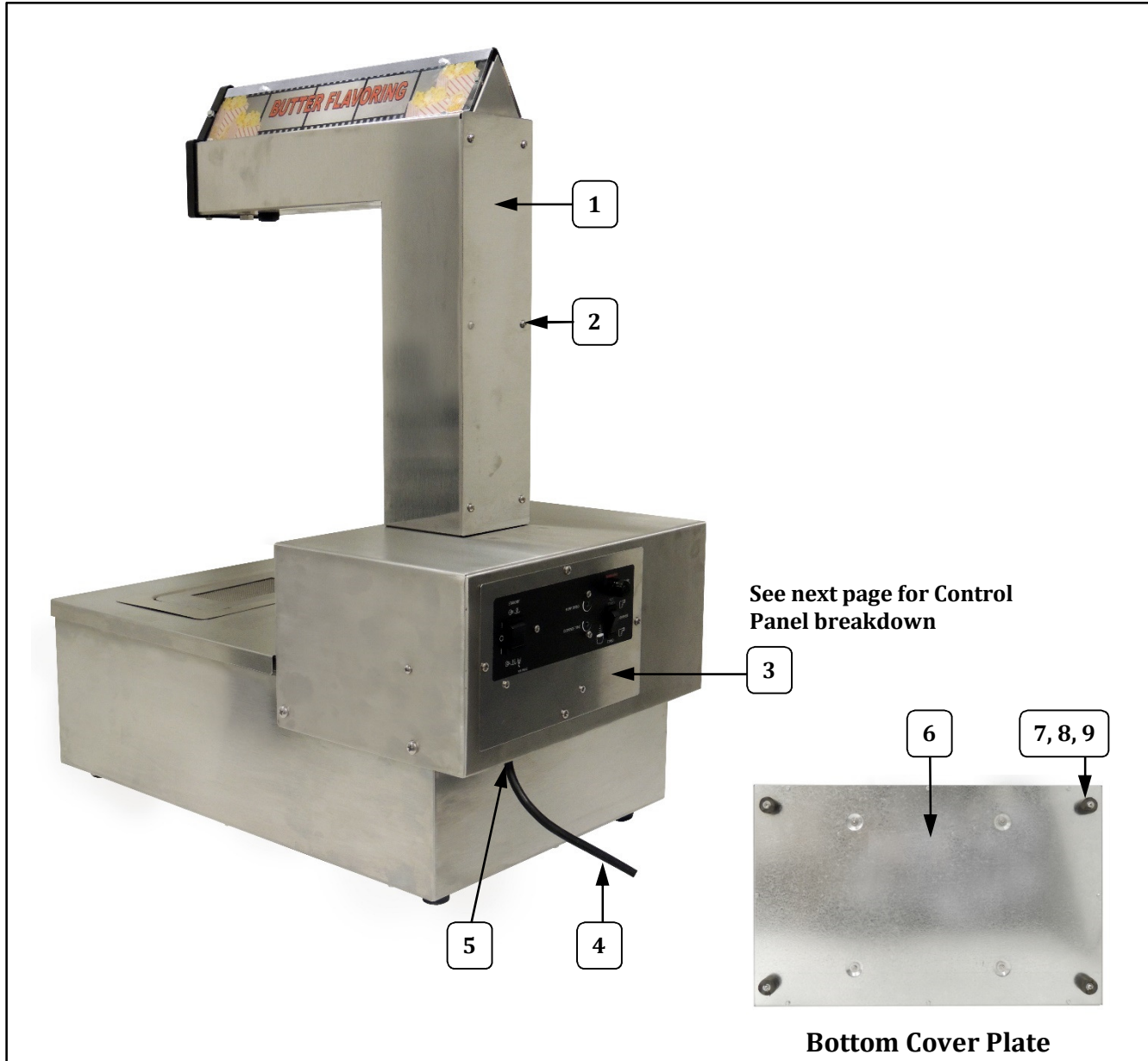
Unit Exterior – Rear and Bottom View



Item	Part Description	Qty.	Part No.
			2499A
1	BACK COVER 2499	1	69169
2	8-32 X 1/4 PHIL PAN M/S	12	87314
3	SWITCH PLATE 2499A	1	69203
4	LEAD-IN CORD 15 AMP PLUG	1	22038
5	STRAIN RELIEF #SR-6P3-4	1	76026
6	CASE BOTTOM COVER	1	88538
7	RUBBER FEET	4	41282
8	10-24 X 1 1/8 PAN HEAD	4	47128
9	ACORN NUT #10-24	4	46528



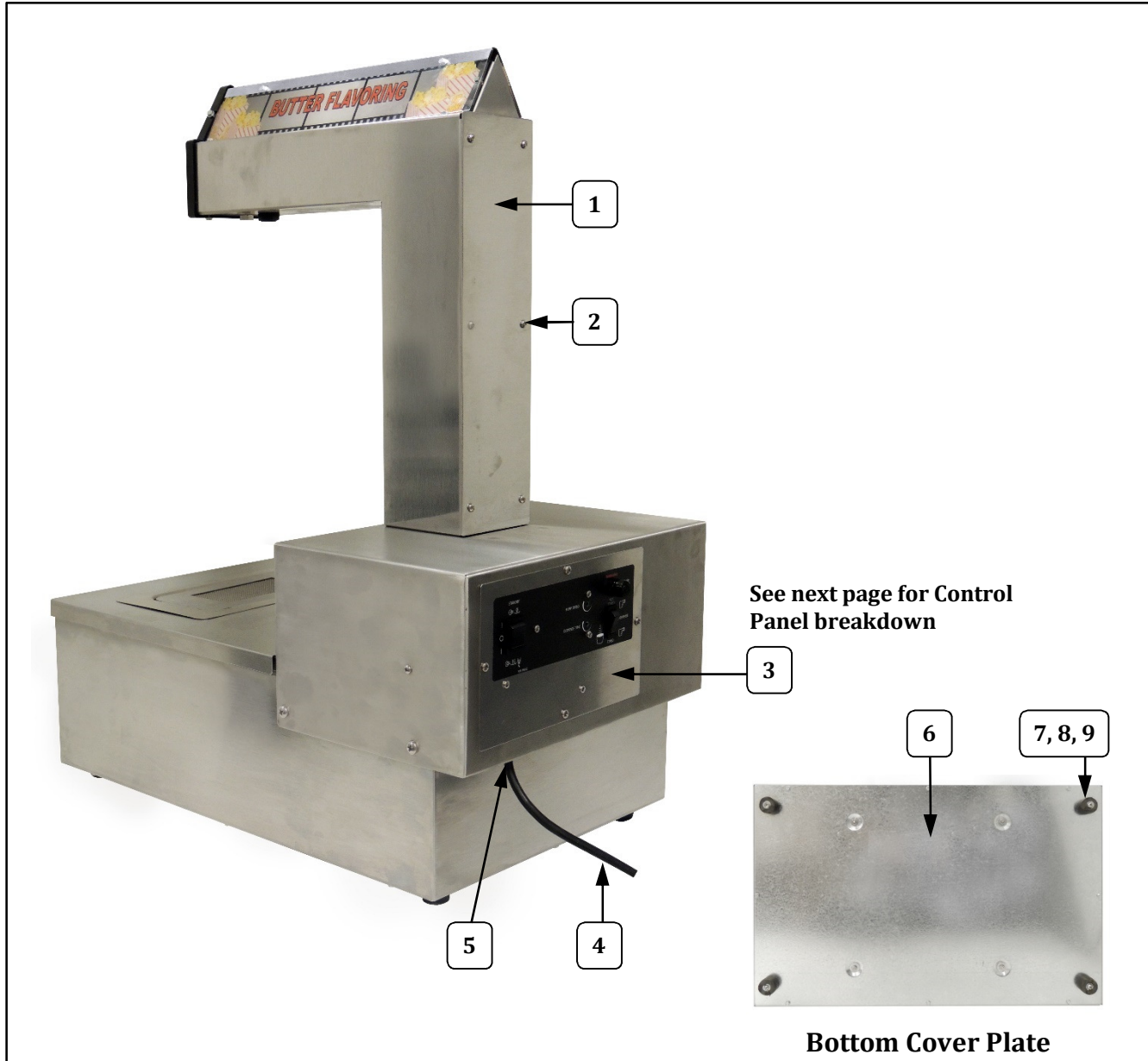
Unit Exterior – Rear and Bottom View



Item	Part Description	Qty.	Part No.
			2499A
1	BACK COVER 2499	1	69169
2	8-32 X 1/4 PHIL PAN M/S	12	87314
3	SWITCH PLATE 2499A	1	69203
4	LEAD-IN CORD 15 AMP PLUG	1	22038
5	STRAIN RELIEF #SR-6P3-4	1	76026
6	CASE BOTTOM COVER	1	88538
7	RUBBER FEET	4	41282
8	10-24 X 1 1/8 PAN HEAD	4	47128
9	ACORN NUT #10-24	4	46528



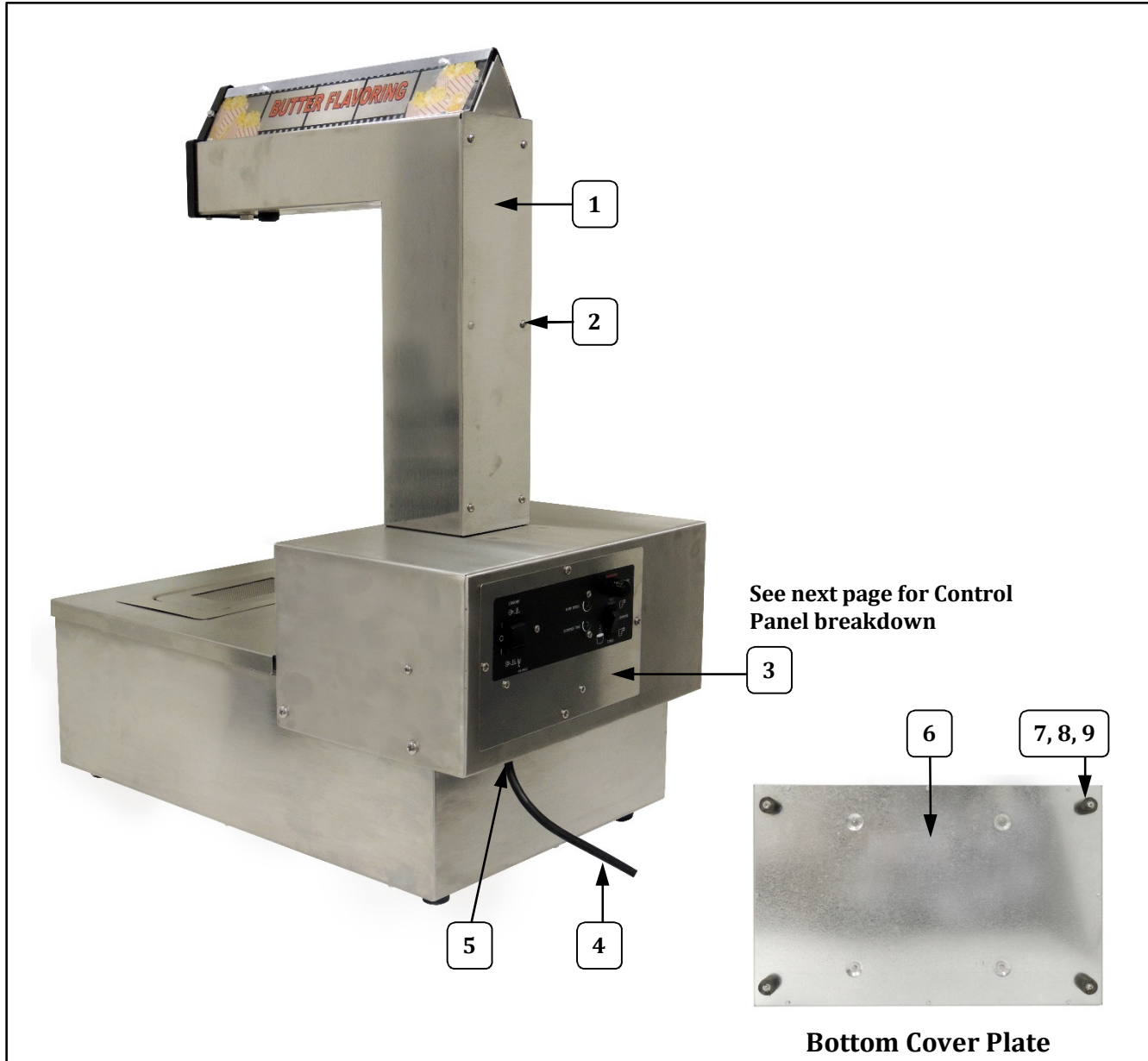
Unit Exterior – Rear and Bottom View



Item	Part Description	Qty.	Part No.
			2499A
1	BACK COVER 2499	1	69169
2	8-32 X 1/4 PHIL PAN M/S	12	87314
3	SWITCH PLATE 2499A	1	69203
4	LEAD-IN CORD 15 AMP PLUG	1	22038
5	STRAIN RELIEF #SR-6P3-4	1	76026
6	CASE BOTTOM COVER	1	88538
7	RUBBER FEET	4	41282
8	10-24 X 1 1/8 PAN HEAD	4	47128
9	ACORN NUT #10-24	4	46528



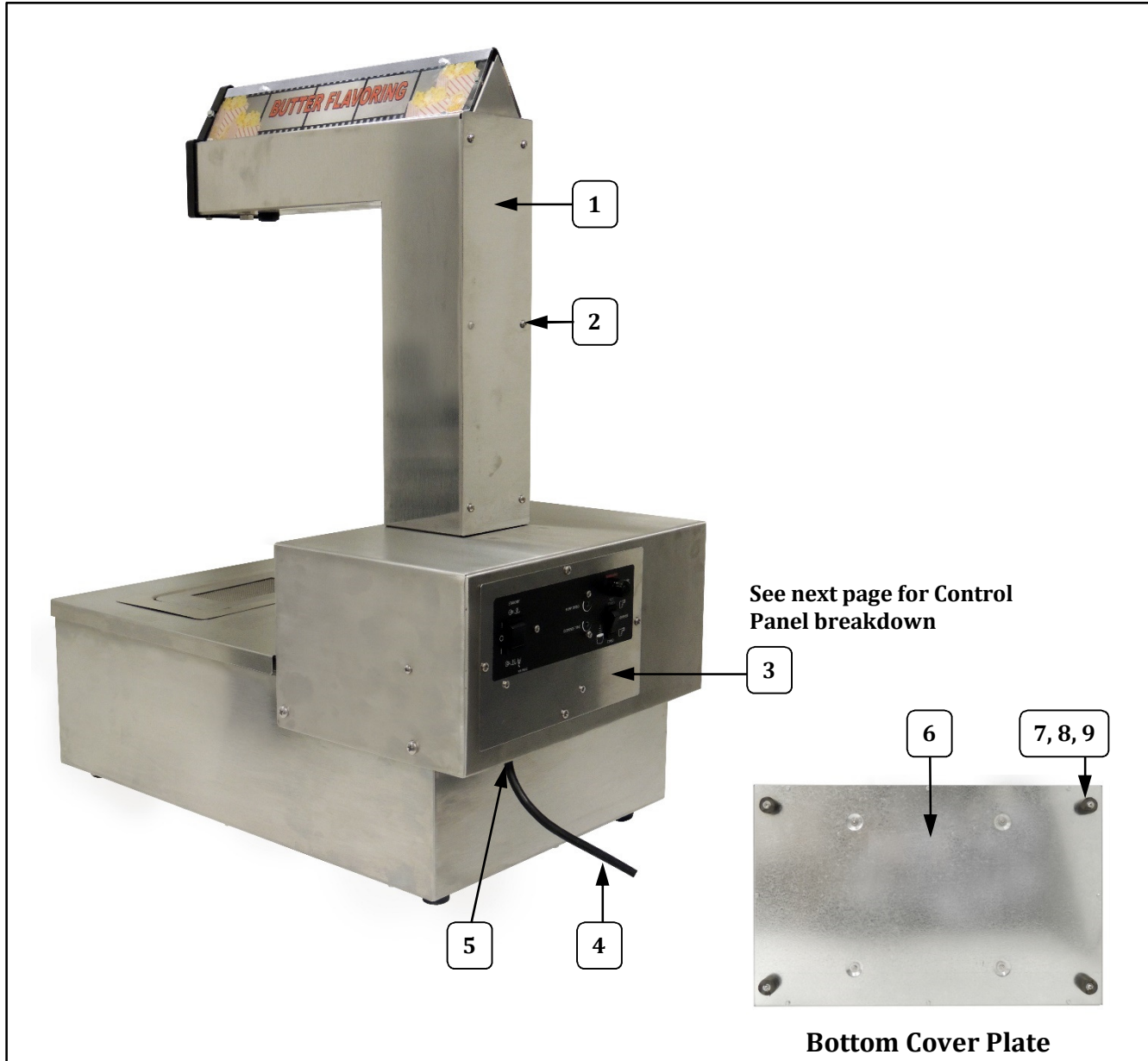
Unit Exterior – Rear and Bottom View



Item	Part Description	Qty.	Part No.
			2499A
1	BACK COVER 2499	1	69169
2	8-32 X 1/4 PHIL PAN M/S	12	87314
3	SWITCH PLATE 2499A	1	69203
4	LEAD-IN CORD 15 AMP PLUG	1	22038
5	STRAIN RELIEF #SR-6P3-4	1	76026
6	CASE BOTTOM COVER	1	88538
7	RUBBER FEET	4	41282
8	10-24 X 1 1/8 PAN HEAD	4	47128
9	ACORN NUT #10-24	4	46528



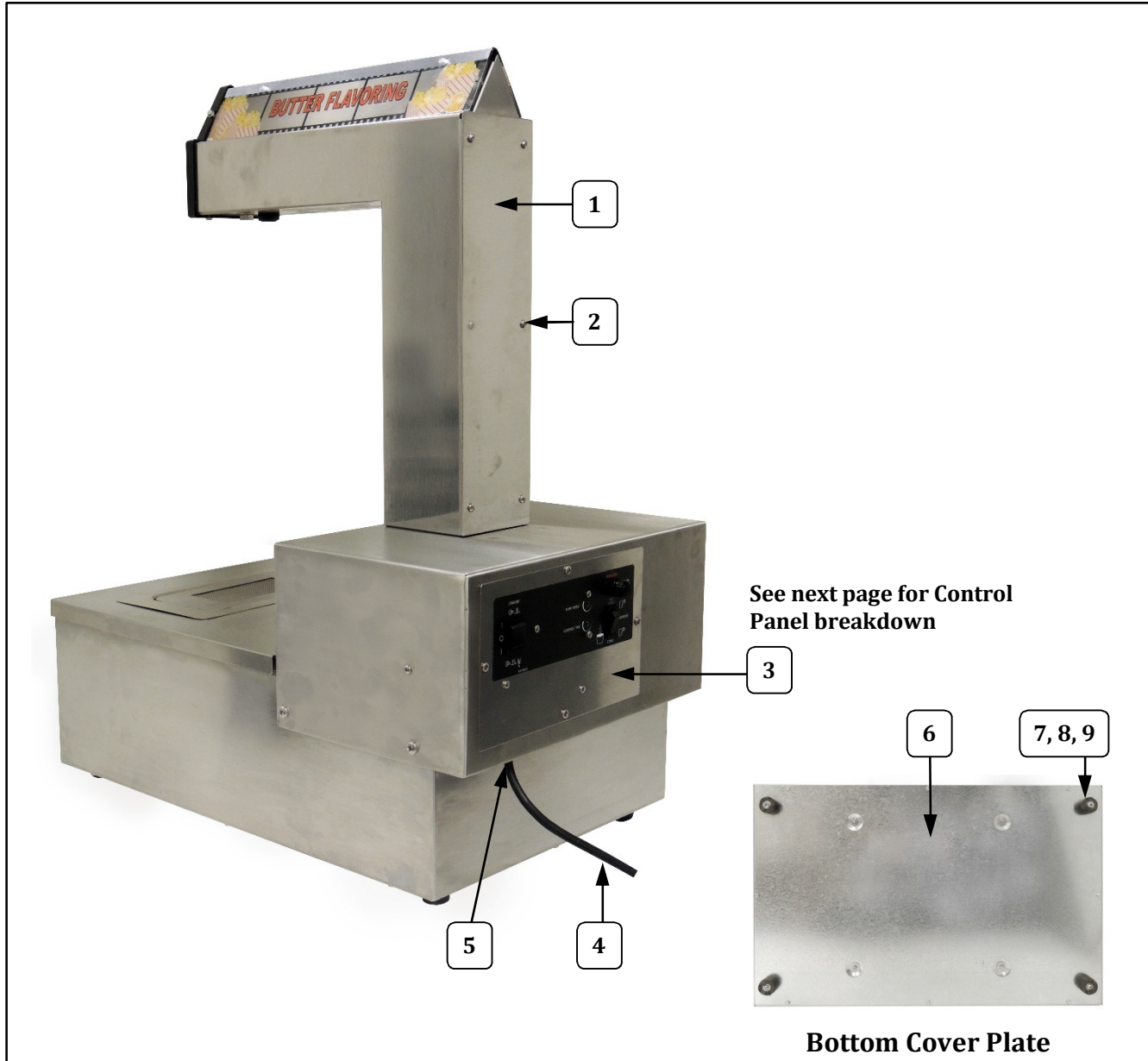
Unit Exterior – Rear and Bottom View



Item	Part Description	Qty.	Part No.
			2499A
1	BACK COVER 2499	1	69169
2	8-32 X 1/4 PHIL PAN M/S	12	87314
3	SWITCH PLATE 2499A	1	69203
4	LEAD-IN CORD 15 AMP PLUG	1	22038
5	STRAIN RELIEF #SR-6P3-4	1	76026
6	CASE BOTTOM COVER	1	88538
7	RUBBER FEET	4	41282
8	10-24 X 1 1/8 PAN HEAD	4	47128
9	ACORN NUT #10-24	4	46528



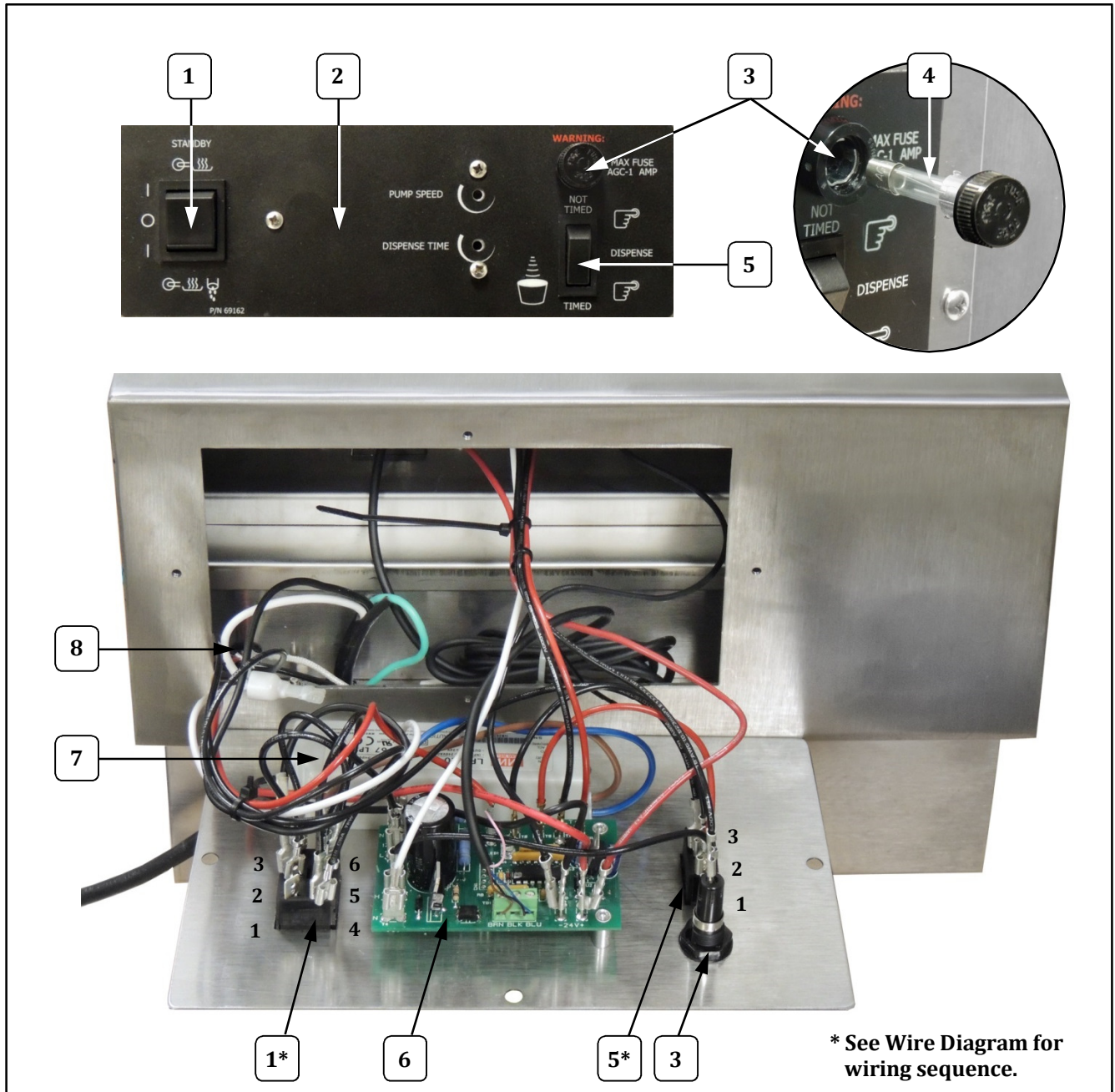
Unit Exterior – Rear and Bottom View



Item	Part Description	Qty.	Part No.
			2499A
1	BACK COVER 2499	1	69169
2	8-32 X 1/4 PHIL PAN M/S	12	87314
3	SWITCH PLATE 2499A	1	69203
4	LEAD-IN CORD 15 AMP PLUG	1	22038
5	STRAIN RELIEF #SR-6P3-4	1	76026
6	CASE BOTTOM COVER	1	88538
7	RUBBER FEET	4	41282
8	10-24 X 1 1/8 PAN HEAD	4	47128
9	ACORN NUT #10-24	4	46528



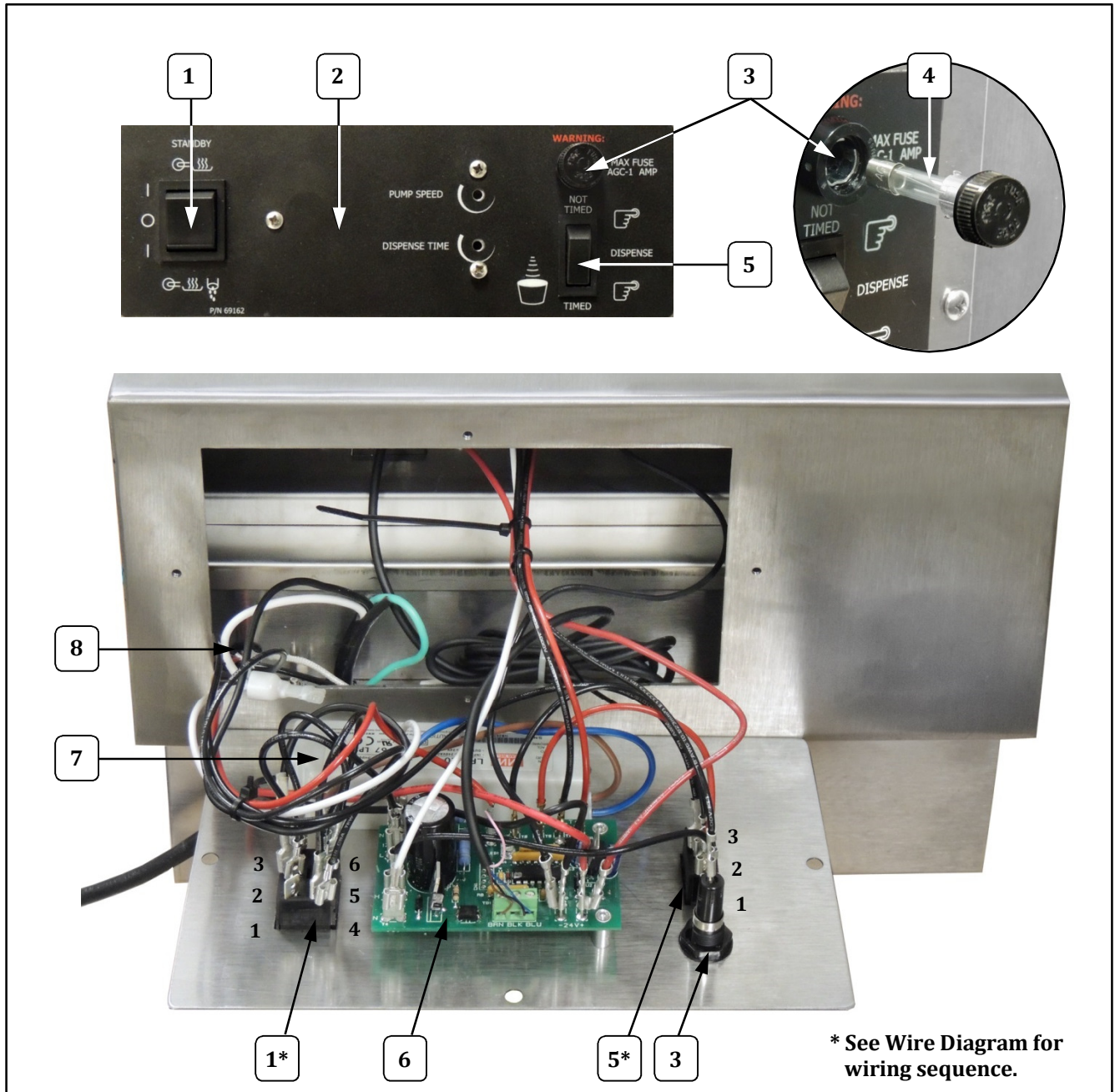
Control Panel – Exterior and Interior View



Item	Part Description	Qty.	Part No. 2499A
1	3 POSITION ROCKER SWITCH	1	39410
2	DECAL CONTROL FOR 2499A	1	69162
3	FUSE HOLDER	1	74636
4	FUSE, 1 AMP	1	79341
5	SWITCH, ROCKER SPDT	1	55050
6	BUTTER DISPENSE PCB (Control Board)	1	69175
7	POWER SUPPLY 24VDC 20W	1	55394
8	SNAP BUSHING .500 IN	1	47236



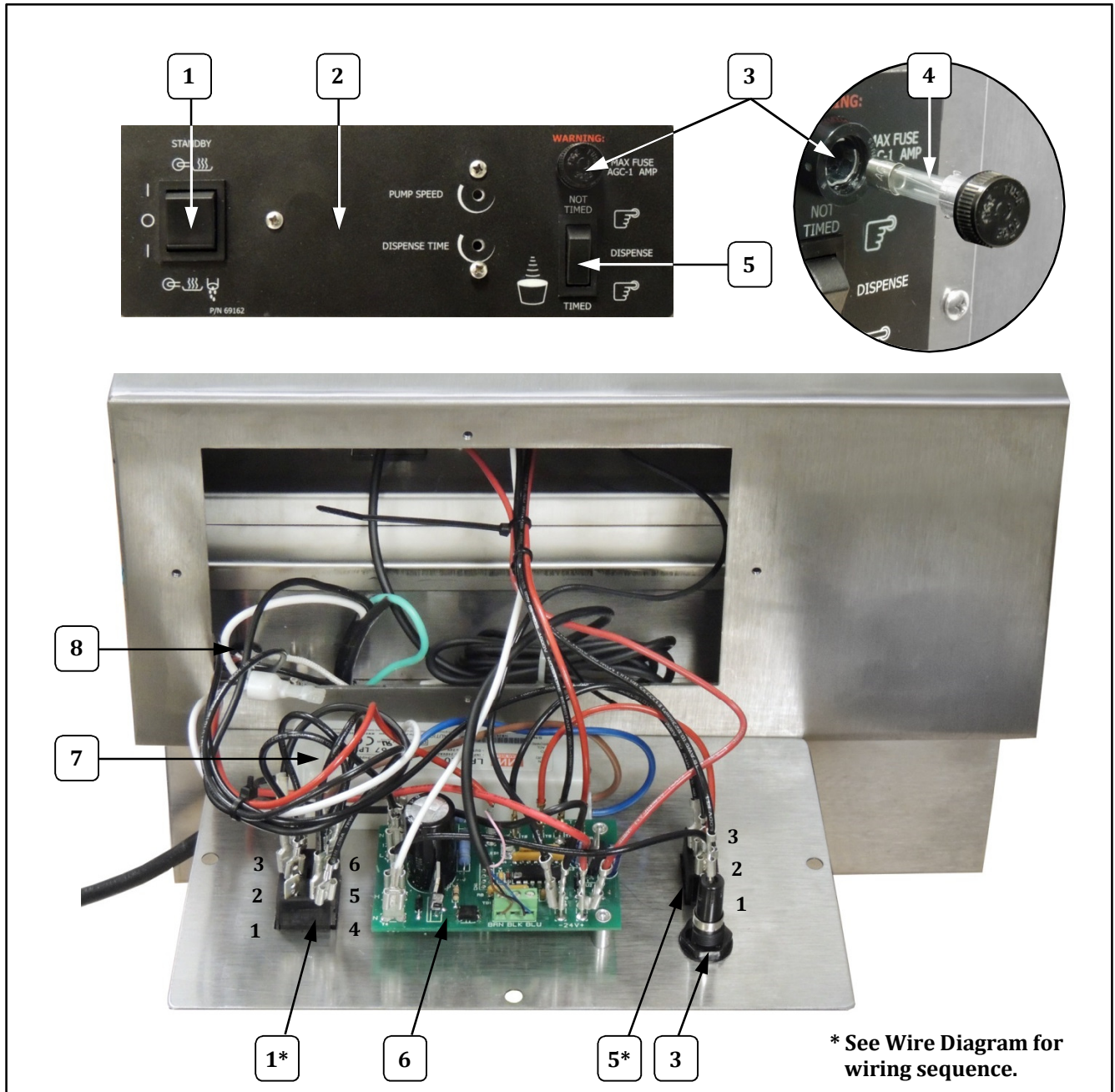
Control Panel – Exterior and Interior View



Item	Part Description	Qty.	Part No. 2499A
1	3 POSITION ROCKER SWITCH	1	39410
2	DECAL CONTROL FOR 2499A	1	69162
3	FUSE HOLDER	1	74636
4	FUSE, 1 AMP	1	79341
5	SWITCH, ROCKER SPDT	1	55050
6	BUTTER DISPENSE PCB (Control Board)	1	69175
7	POWER SUPPLY 24VDC 20W	1	55394
8	SNAP BUSHING .500 IN	1	47236



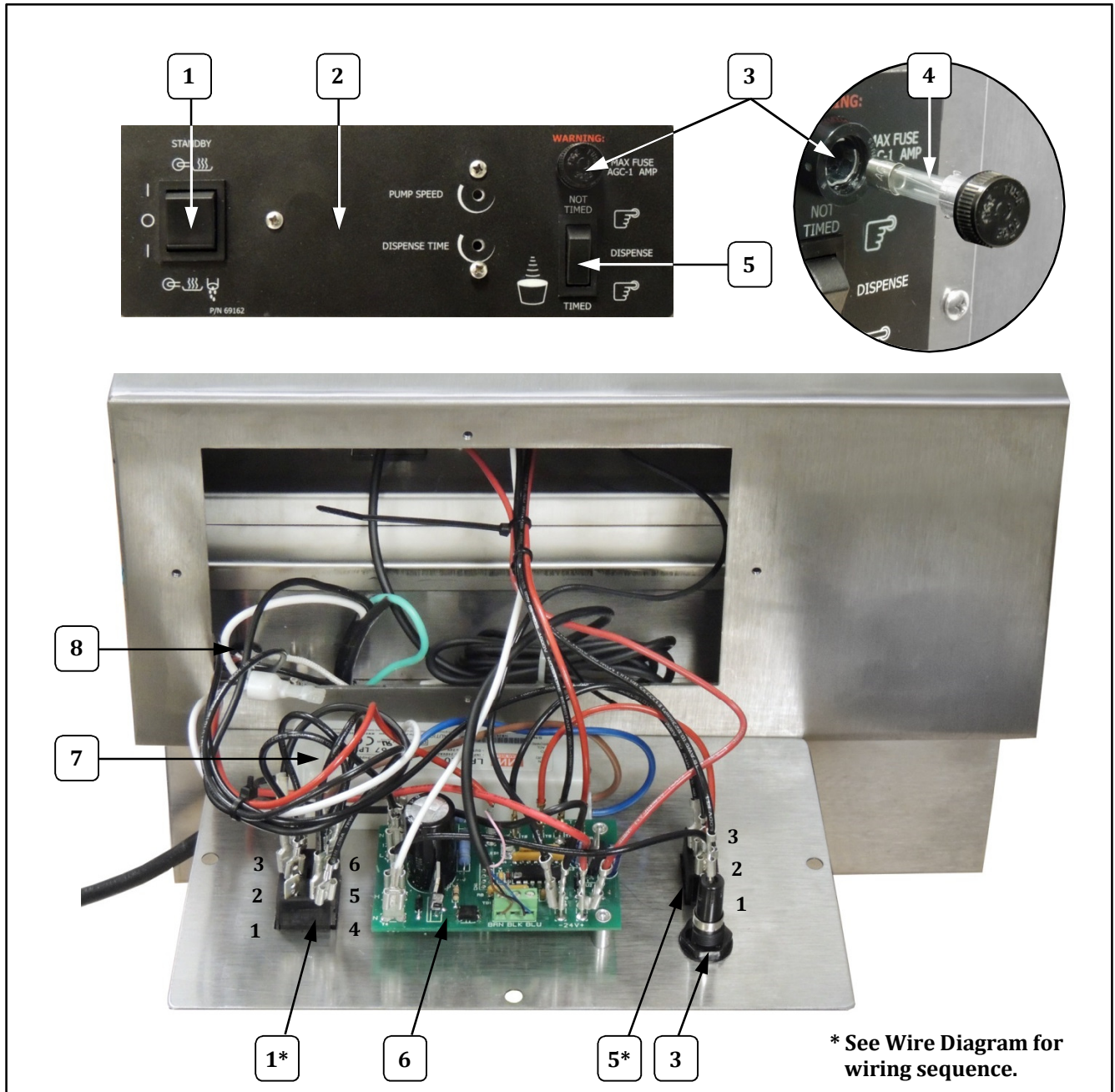
Control Panel – Exterior and Interior View



Item	Part Description	Qty.	Part No. 2499A
1	3 POSITION ROCKER SWITCH	1	39410
2	DECAL CONTROL FOR 2499A	1	69162
3	FUSE HOLDER	1	74636
4	FUSE, 1 AMP	1	79341
5	SWITCH, ROCKER SPDT	1	55050
6	BUTTER DISPENSE PCB (Control Board)	1	69175
7	POWER SUPPLY 24VDC 20W	1	55394
8	SNAP BUSHING .500 IN	1	47236



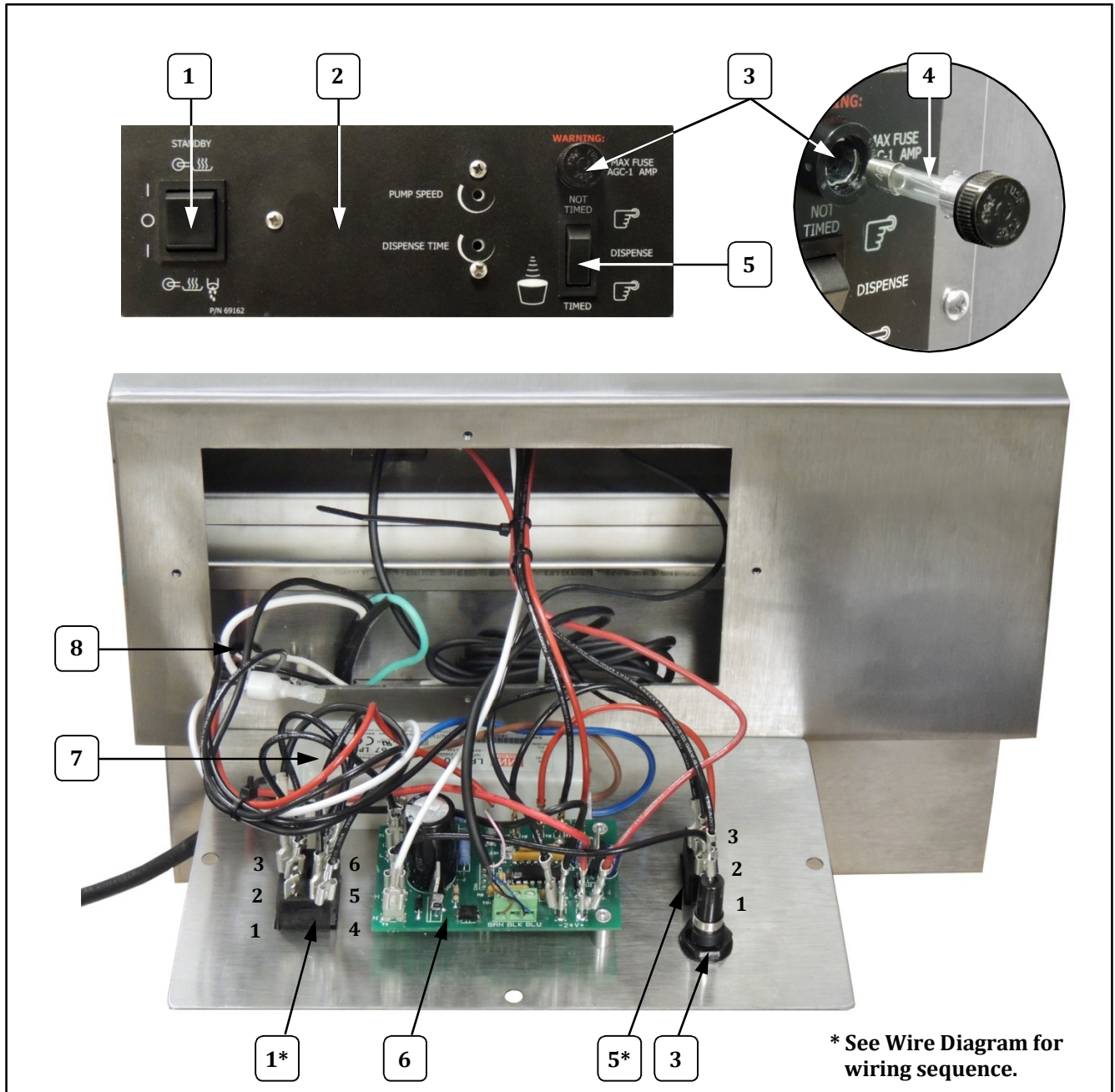
Control Panel – Exterior and Interior View



Item	Part Description	Qty.	Part No.
			2499A
1	3 POSITION ROCKER SWITCH	1	39410
2	DECAL CONTROL FOR 2499A	1	69162
3	FUSE HOLDER	1	74636
4	FUSE, 1 AMP	1	79341
5	SWITCH, ROCKER SPDT	1	55050
6	BUTTER DISPENSE PCB (Control Board)	1	69175
7	POWER SUPPLY 24VDC 20W	1	55394
8	SNAP BUSHING .500 IN	1	47236



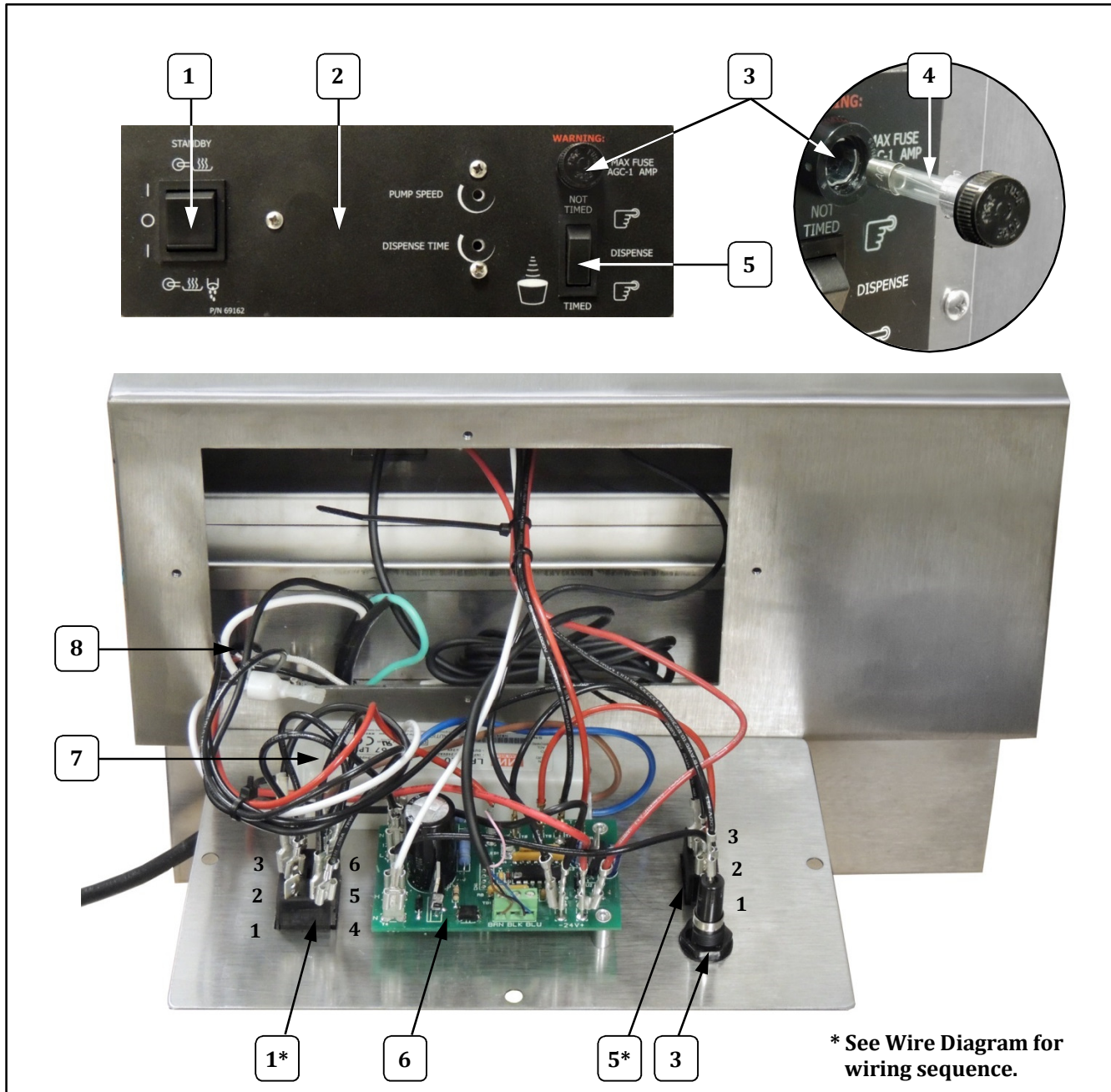
Control Panel – Exterior and Interior View



Item	Part Description	Qty.	Part No. 2499A
1	3 POSITION ROCKER SWITCH	1	39410
2	DECAL CONTROL FOR 2499A	1	69162
3	FUSE HOLDER	1	74636
4	FUSE, 1 AMP	1	79341
5	SWITCH, ROCKER SPDT	1	55050
6	BUTTER DISPENSE PCB (Control Board)	1	69175
7	POWER SUPPLY 24VDC 20W	1	55394
8	SNAP BUSHING .500 IN	1	47236



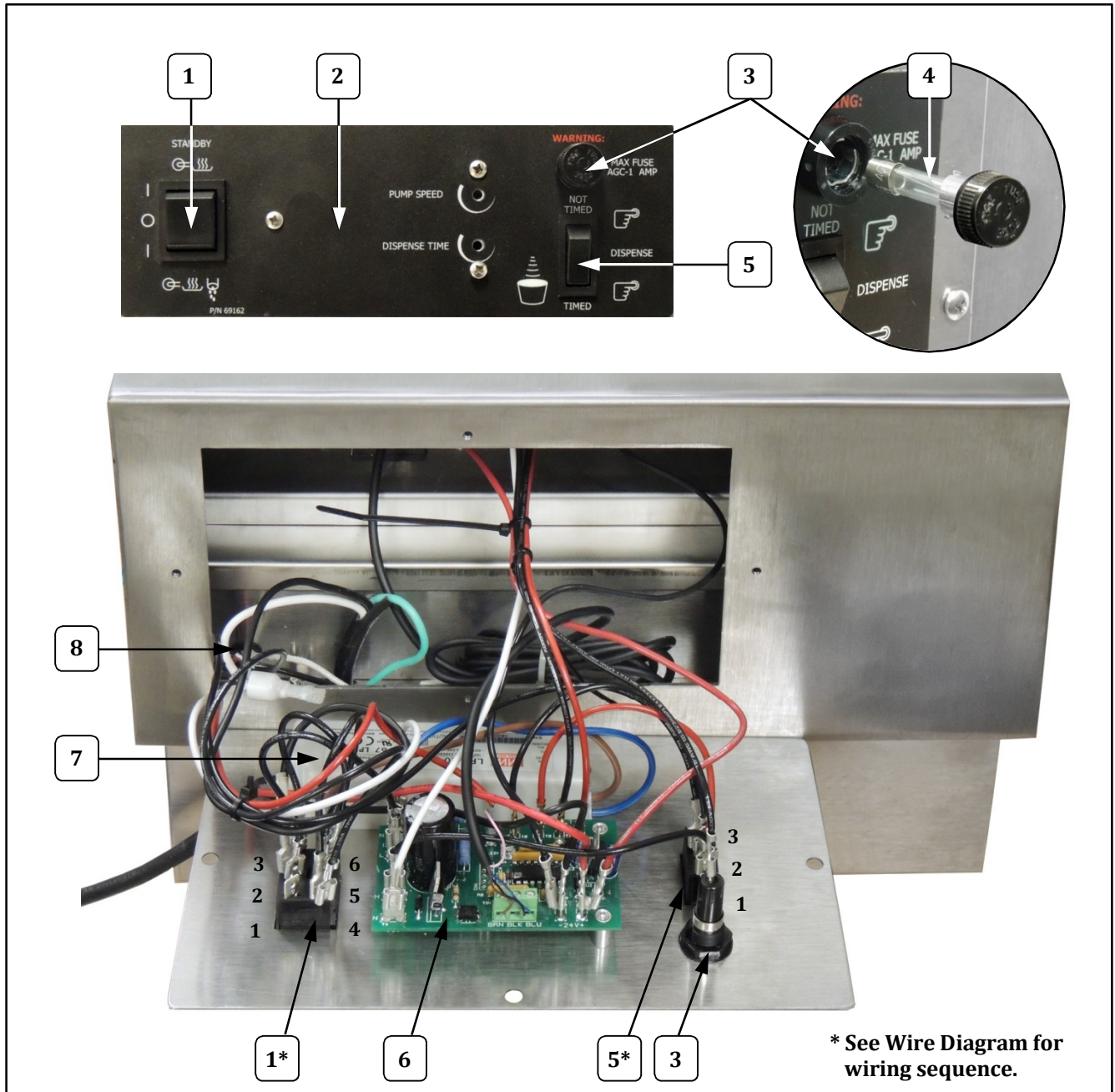
Control Panel – Exterior and Interior View



Item	Part Description	Qty.	Part No. 2499A
1	3 POSITION ROCKER SWITCH	1	39410
2	DECAL CONTROL FOR 2499A	1	69162
3	FUSE HOLDER	1	74636
4	FUSE, 1 AMP	1	79341
5	SWITCH, ROCKER SPDT	1	55050
6	BUTTER DISPENSE PCB (Control Board)	1	69175
7	POWER SUPPLY 24VDC 20W	1	55394
8	SNAP BUSHING .500 IN	1	47236



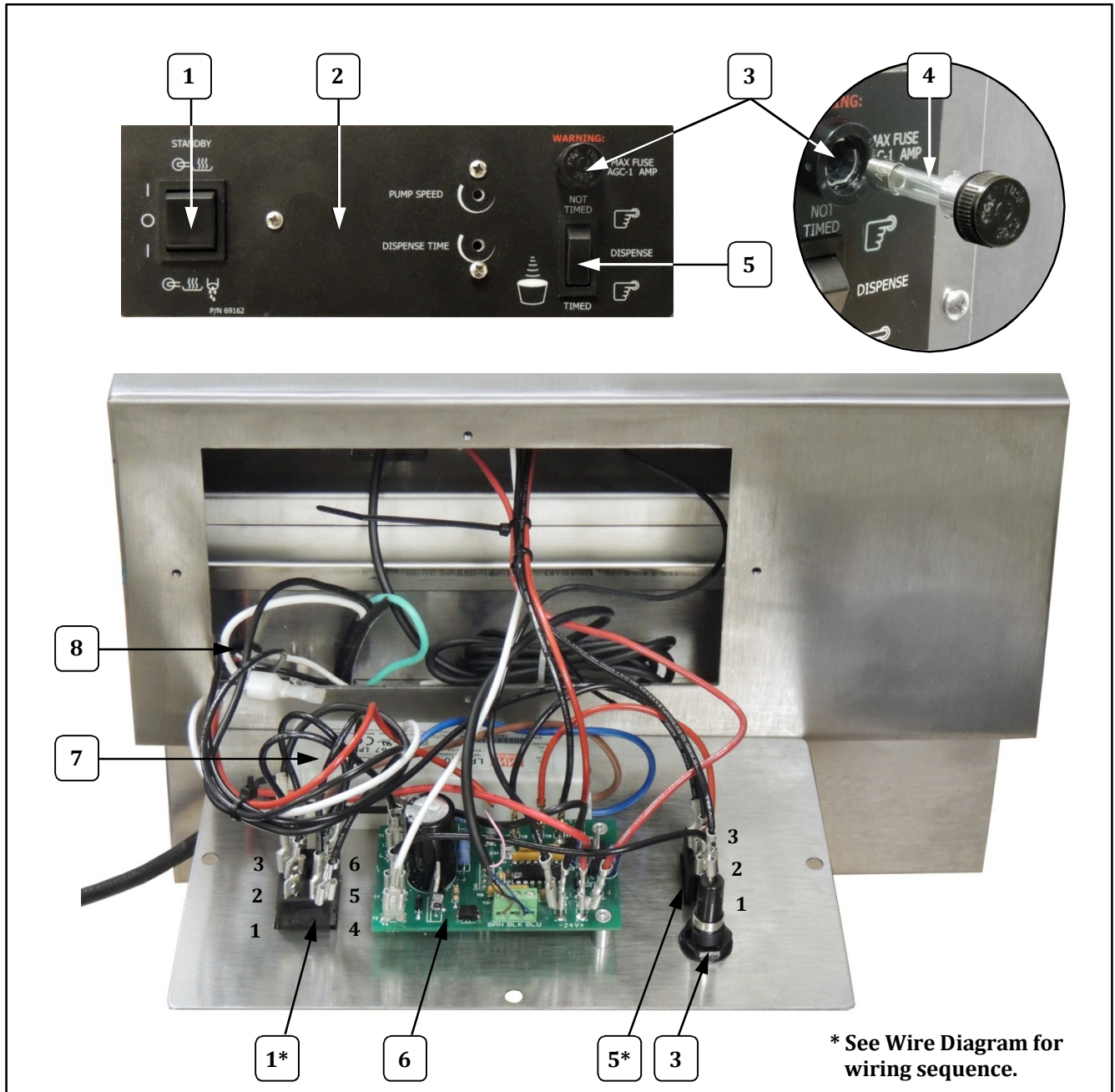
Control Panel – Exterior and Interior View



Item	Part Description	Qty.	Part No. 2499A
1	3 POSITION ROCKER SWITCH	1	39410
2	DECAL CONTROL FOR 2499A	1	69162
3	FUSE HOLDER	1	74636
4	FUSE, 1 AMP	1	79341
5	SWITCH, ROCKER SPDT	1	55050
6	BUTTER DISPENSE PCB (Control Board)	1	69175
7	POWER SUPPLY 24VDC 20W	1	55394
8	SNAP BUSHING .500 IN	1	47236



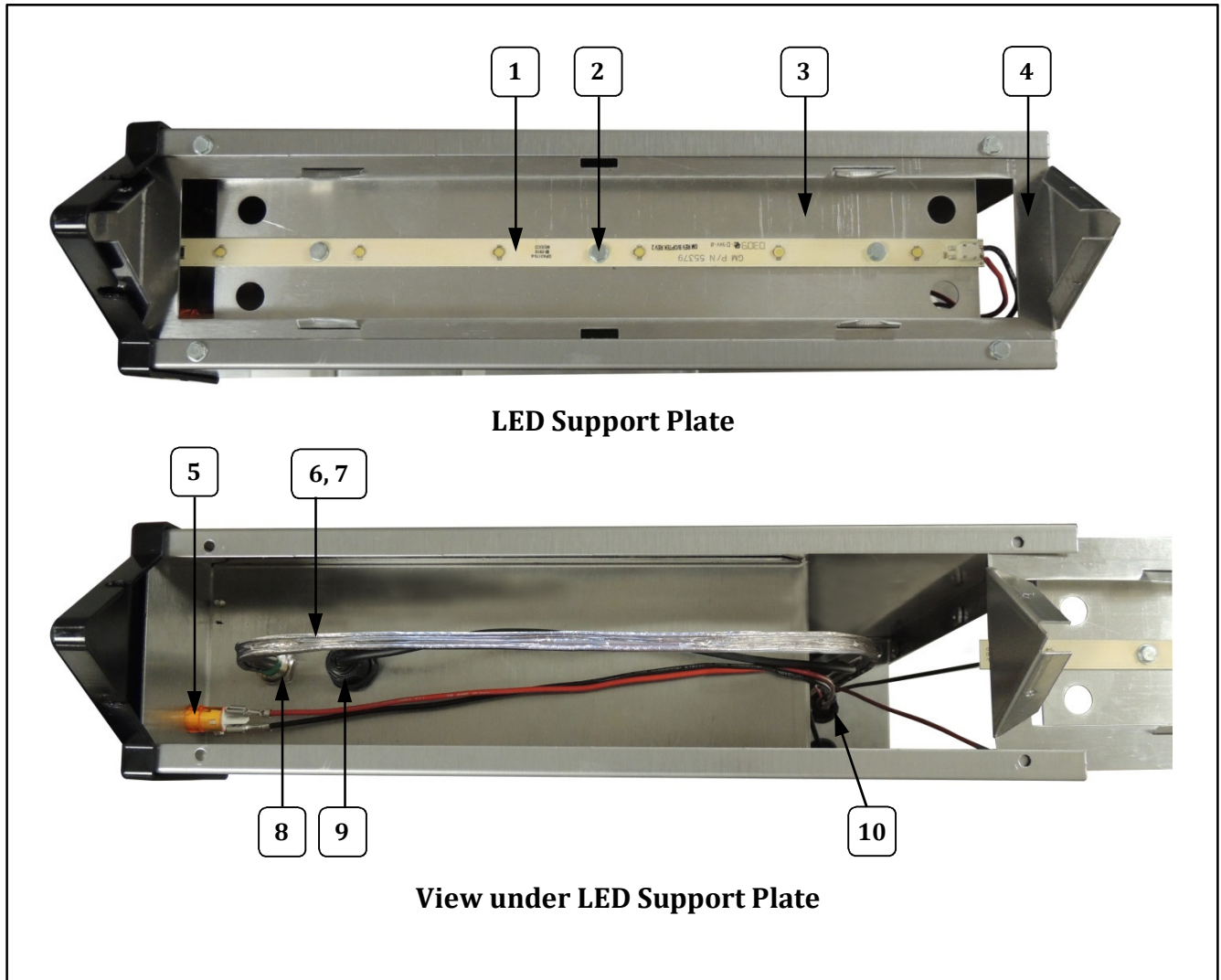
Control Panel – Exterior and Interior View



Item	Part Description	Qty.	Part No. 2499A
1	3 POSITION ROCKER SWITCH	1	39410
2	DECAL CONTROL FOR 2499A	1	69162
3	FUSE HOLDER	1	74636
4	FUSE, 1 AMP	1	79341
5	SWITCH, ROCKER SPDT	1	55050
6	BUTTER DISPENSE PCB (Control Board)	1	69175
7	POWER SUPPLY 24VDC 20W	1	55394
8	SNAP BUSHING .500 IN	1	47236



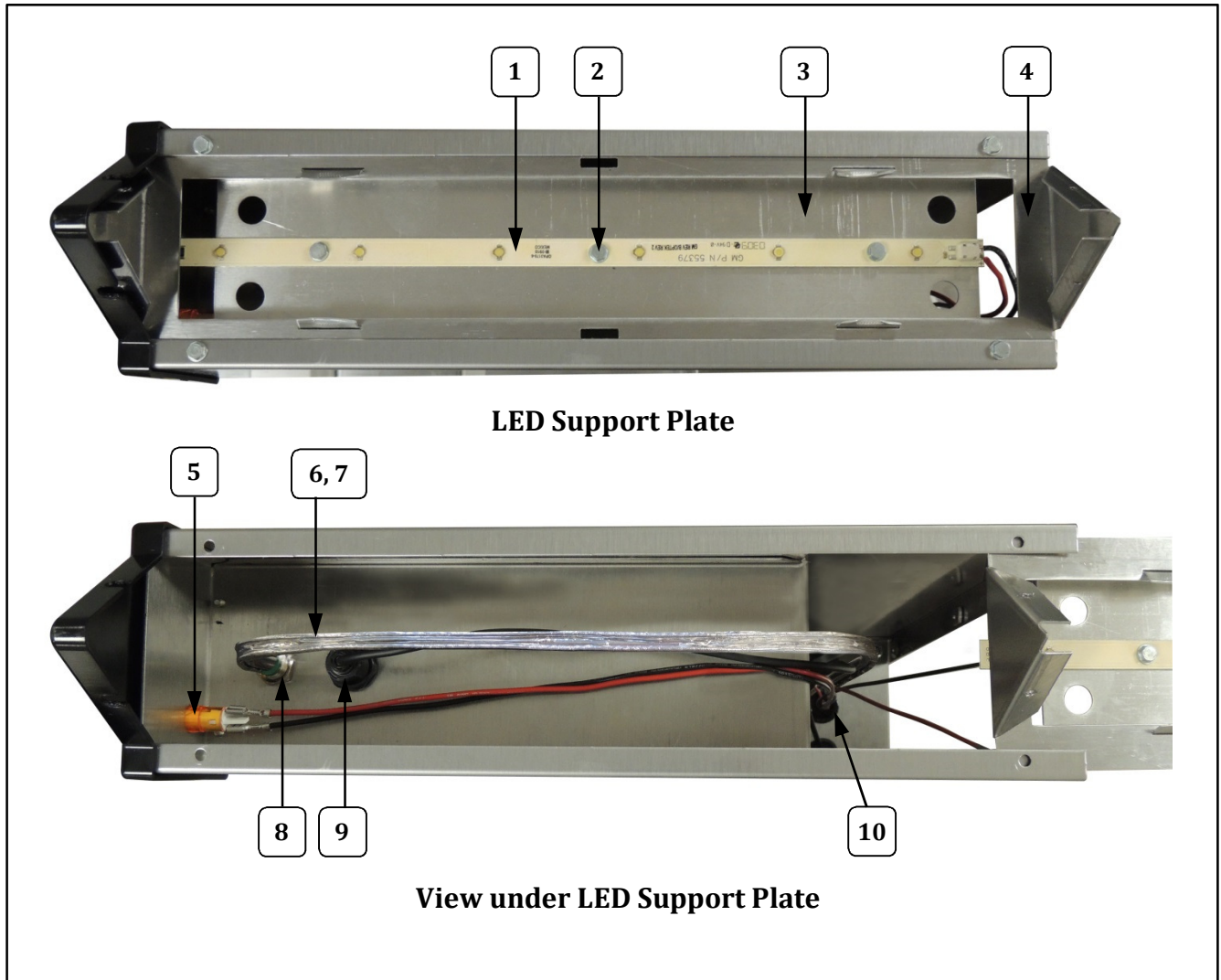
Top Pedestal – Interior View



Item	Part Description	Qty.	Part No. 2499A
1	6 1W LED STRIP	1	55379
2	SCREW #8 HEX WASHER HEAD	3	47771
3	LED SUPPORT PLATE 2499	1	69167
4	TOP PEDISTAL PLATE 2499	1	69168
5	LED INDICATOR 24VDC AMBER	1	69181
6	DISPENSE TUBE	1	69581
7	FOIL HEAT ELEMENT 8W 120V	1	38970
8	NO DRIP SPOUT	1	38566
9	PHOTOELECTRIC SENSOR	1	69174
10	SNAP BUSHING 7/8 IN	3	45396



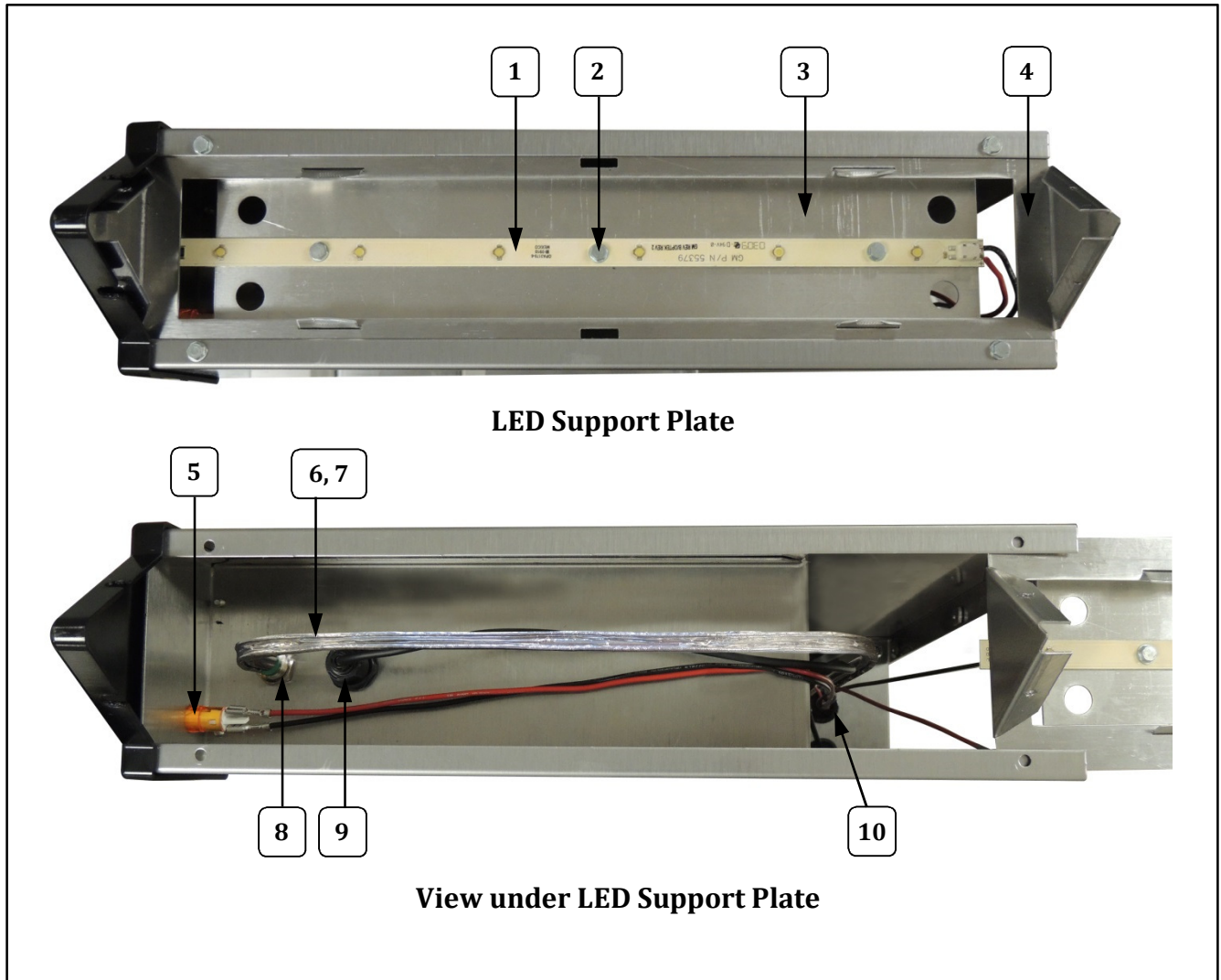
Top Pedestal – Interior View



Item	Part Description	Qty.	Part No. 2499A
1	6 1W LED STRIP	1	55379
2	SCREW #8 HEX WASHER HEAD	3	47771
3	LED SUPPORT PLATE 2499	1	69167
4	TOP PEDISTAL PLATE 2499	1	69168
5	LED INDICATOR 24VDC AMBER	1	69181
6	DISPENSE TUBE	1	69581
7	FOIL HEAT ELEMENT 8W 120V	1	38970
8	NO DRIP SPOUT	1	38566
9	PHOTOELECTRIC SENSOR	1	69174
10	SNAP BUSHING 7/8 IN	3	45396



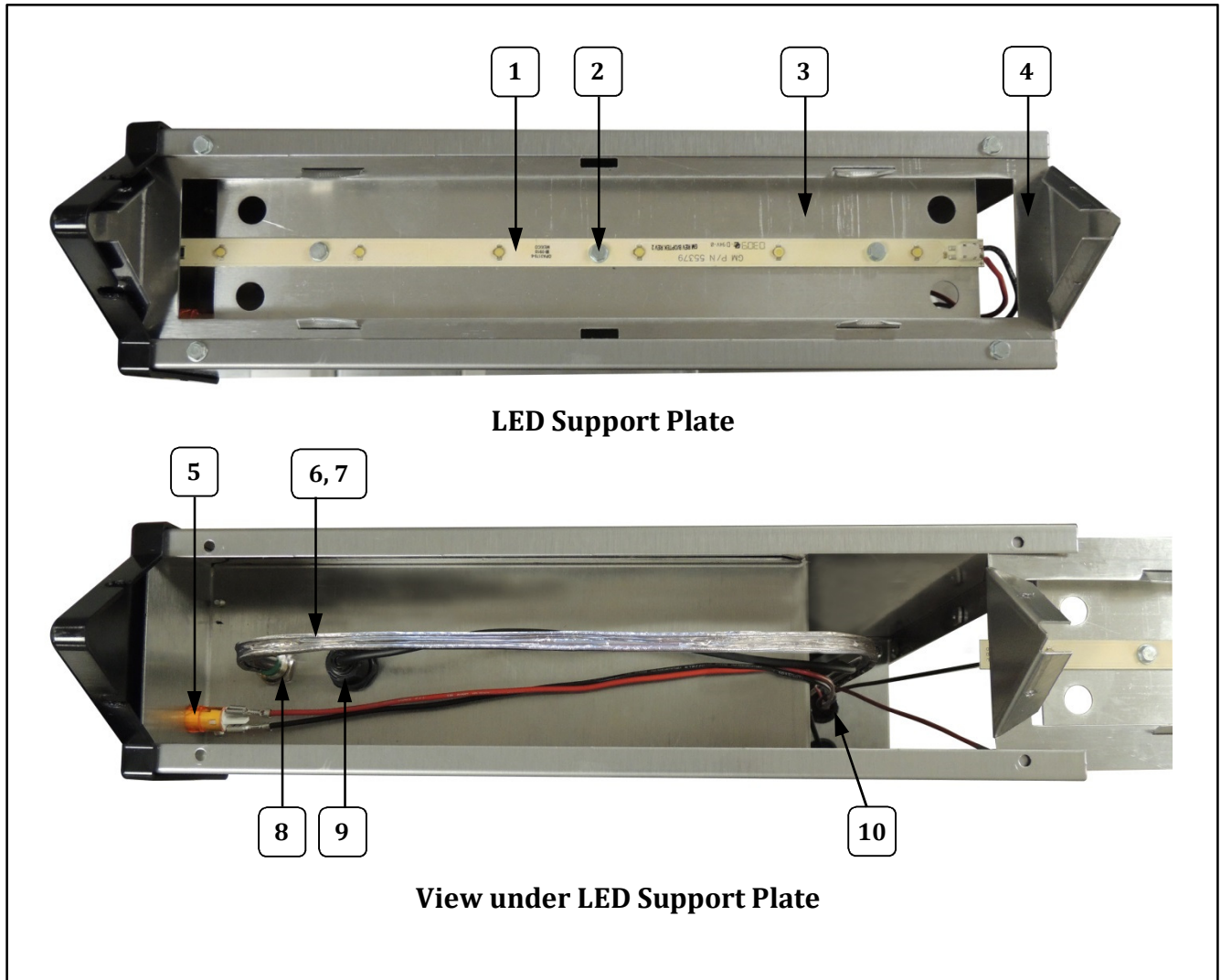
Top Pedestal – Interior View



Item	Part Description	Qty.	Part No. 2499A
1	6 1W LED STRIP	1	55379
2	SCREW #8 HEX WASHER HEAD	3	47771
3	LED SUPPORT PLATE 2499	1	69167
4	TOP PEDISTAL PLATE 2499	1	69168
5	LED INDICATOR 24VDC AMBER	1	69181
6	DISPENSE TUBE	1	69581
7	FOIL HEAT ELEMENT 8W 120V	1	38970
8	NO DRIP SPOUT	1	38566
9	PHOTOELECTRIC SENSOR	1	69174
10	SNAP BUSHING 7/8 IN	3	45396



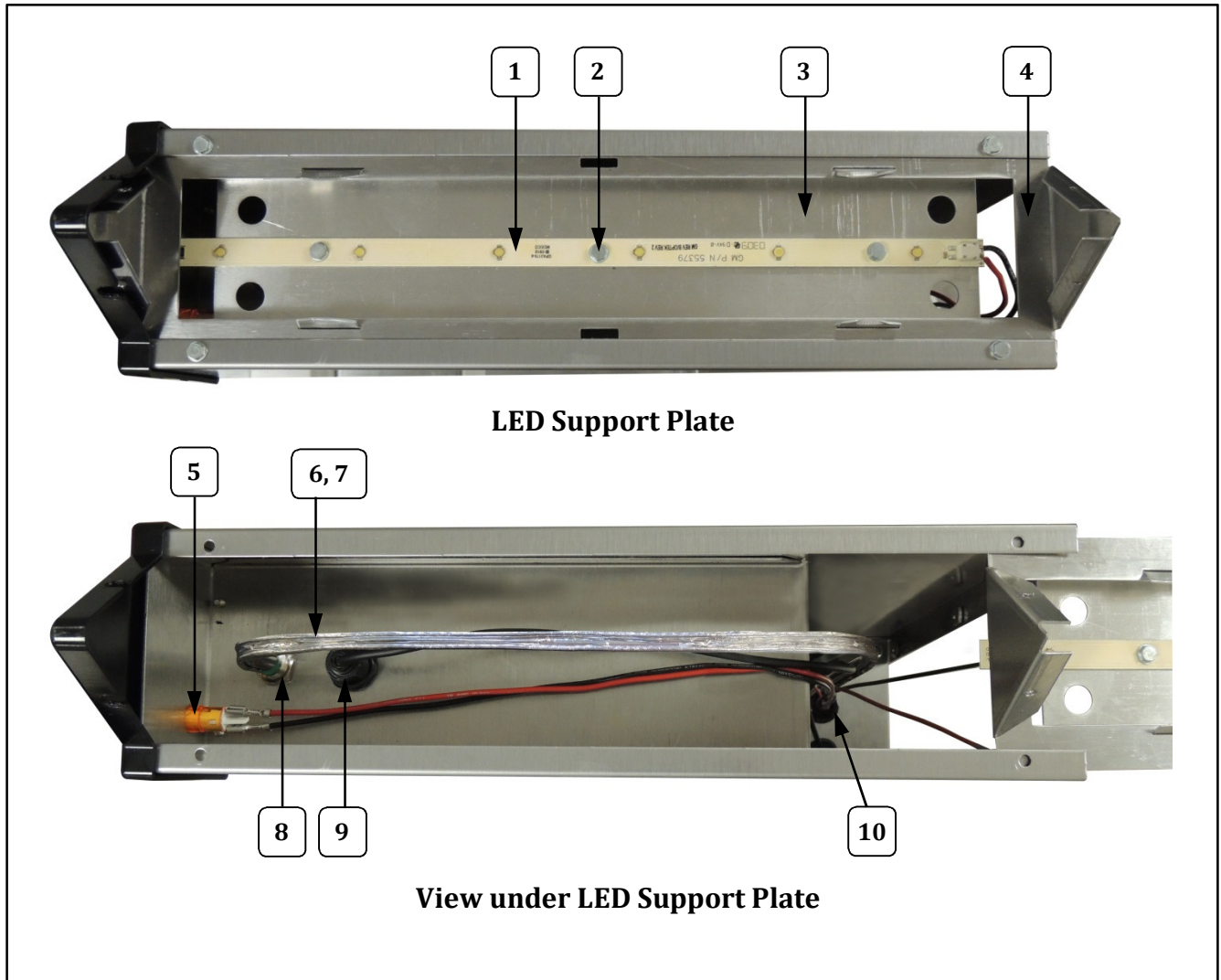
Top Pedestal – Interior View



Item	Part Description	Qty.	Part No. 2499A
1	6 1W LED STRIP	1	55379
2	SCREW #8 HEX WASHER HEAD	3	47771
3	LED SUPPORT PLATE 2499	1	69167
4	TOP PEDISTAL PLATE 2499	1	69168
5	LED INDICATOR 24VDC AMBER	1	69181
6	DISPENSE TUBE	1	69581
7	FOIL HEAT ELEMENT 8W 120V	1	38970
8	NO DRIP SPOUT	1	38566
9	PHOTOELECTRIC SENSOR	1	69174
10	SNAP BUSHING 7/8 IN	3	45396



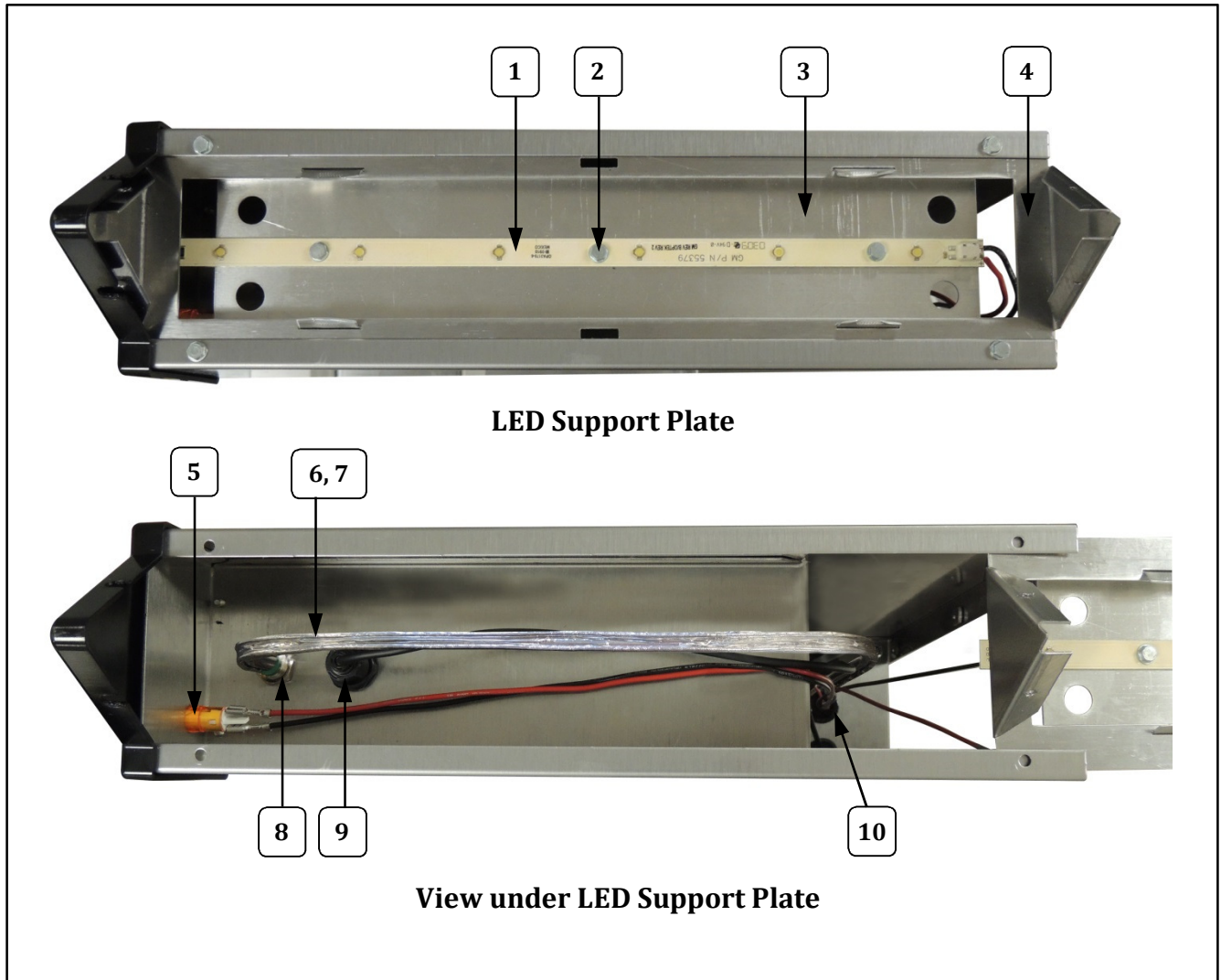
Top Pedestal – Interior View



Item	Part Description	Qty.	Part No. 2499A
1	6 1W LED STRIP	1	55379
2	SCREW #8 HEX WASHER HEAD	3	47771
3	LED SUPPORT PLATE 2499	1	69167
4	TOP PEDISTAL PLATE 2499	1	69168
5	LED INDICATOR 24VDC AMBER	1	69181
6	DISPENSE TUBE	1	69581
7	FOIL HEAT ELEMENT 8W 120V	1	38970
8	NO DRIP SPOUT	1	38566
9	PHOTOELECTRIC SENSOR	1	69174
10	SNAP BUSHING 7/8 IN	3	45396



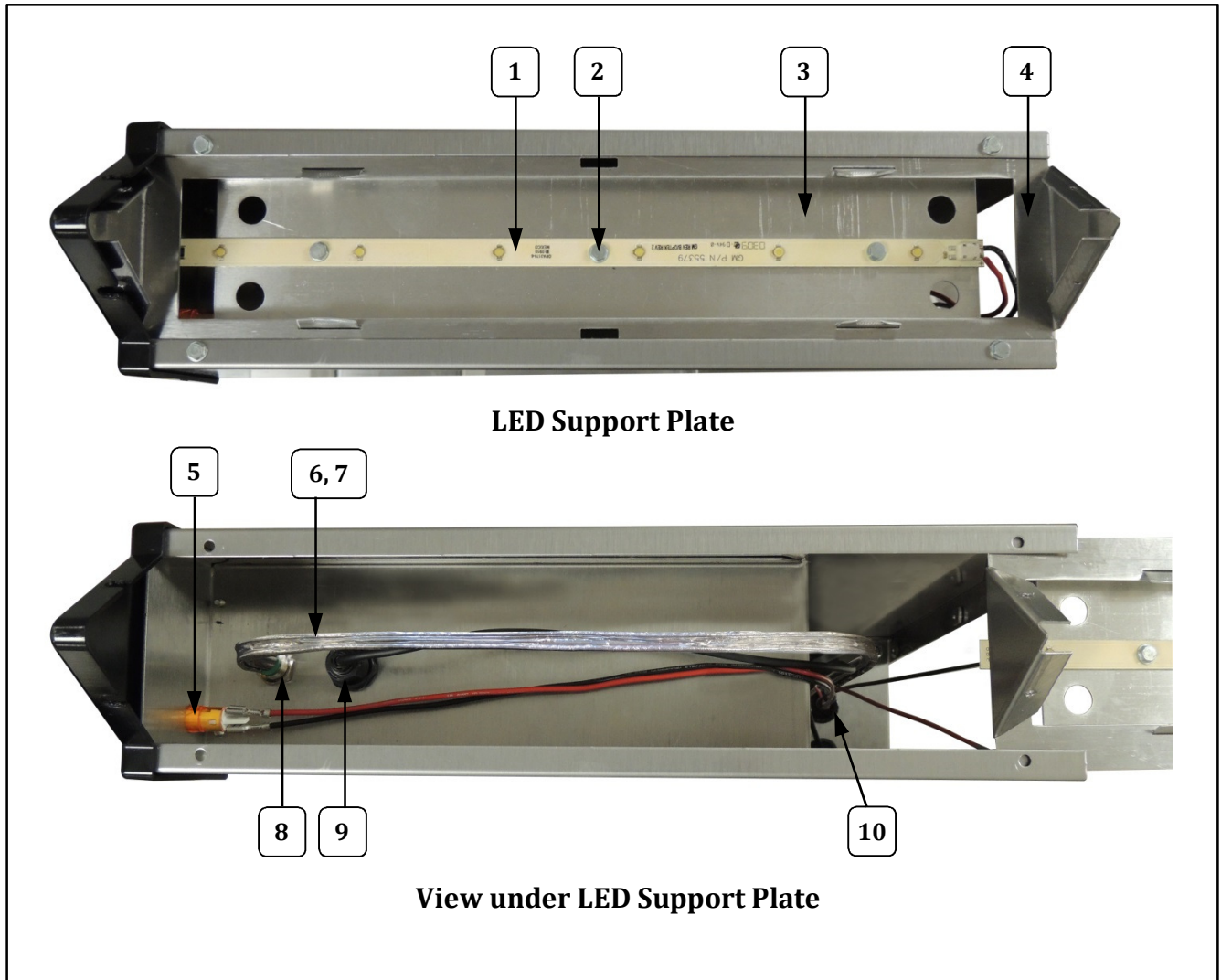
Top Pedestal – Interior View



Item	Part Description	Qty.	Part No. 2499A
1	6 1W LED STRIP	1	55379
2	SCREW #8 HEX WASHER HEAD	3	47771
3	LED SUPPORT PLATE 2499	1	69167
4	TOP PEDISTAL PLATE 2499	1	69168
5	LED INDICATOR 24VDC AMBER	1	69181
6	DISPENSE TUBE	1	69581
7	FOIL HEAT ELEMENT 8W 120V	1	38970
8	NO DRIP SPOUT	1	38566
9	PHOTOELECTRIC SENSOR	1	69174
10	SNAP BUSHING 7/8 IN	3	45396



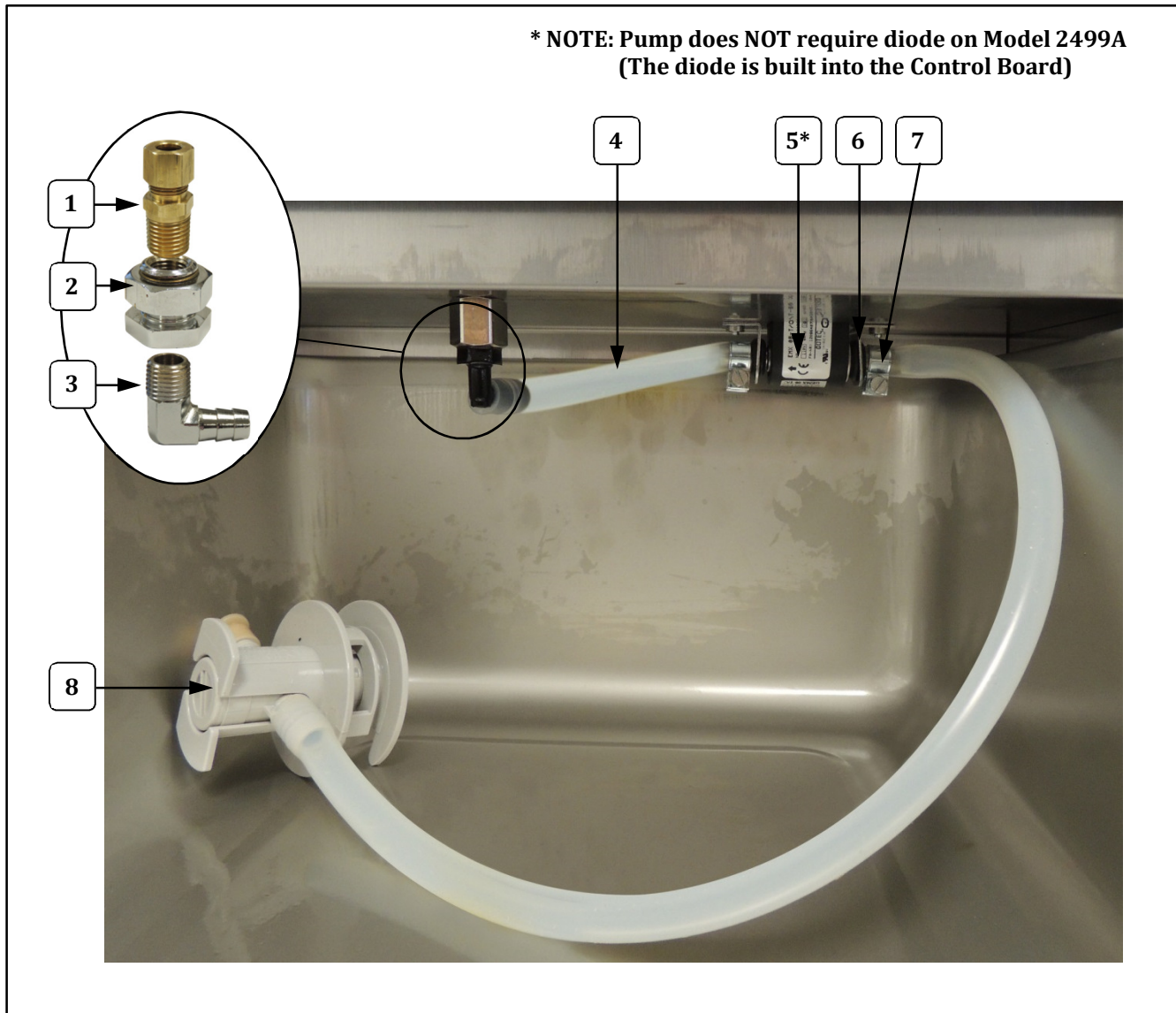
Top Pedestal – Interior View



Item	Part Description	Qty.	Part No. 2499A
1	6 1W LED STRIP	1	55379
2	SCREW #8 HEX WASHER HEAD	3	47771
3	LED SUPPORT PLATE 2499	1	69167
4	TOP PEDISTAL PLATE 2499	1	69168
5	LED INDICATOR 24VDC AMBER	1	69181
6	DISPENSE TUBE	1	69581
7	FOIL HEAT ELEMENT 8W 120V	1	38970
8	NO DRIP SPOUT	1	38566
9	PHOTOELECTRIC SENSOR	1	69174
10	SNAP BUSHING 7/8 IN	3	45396



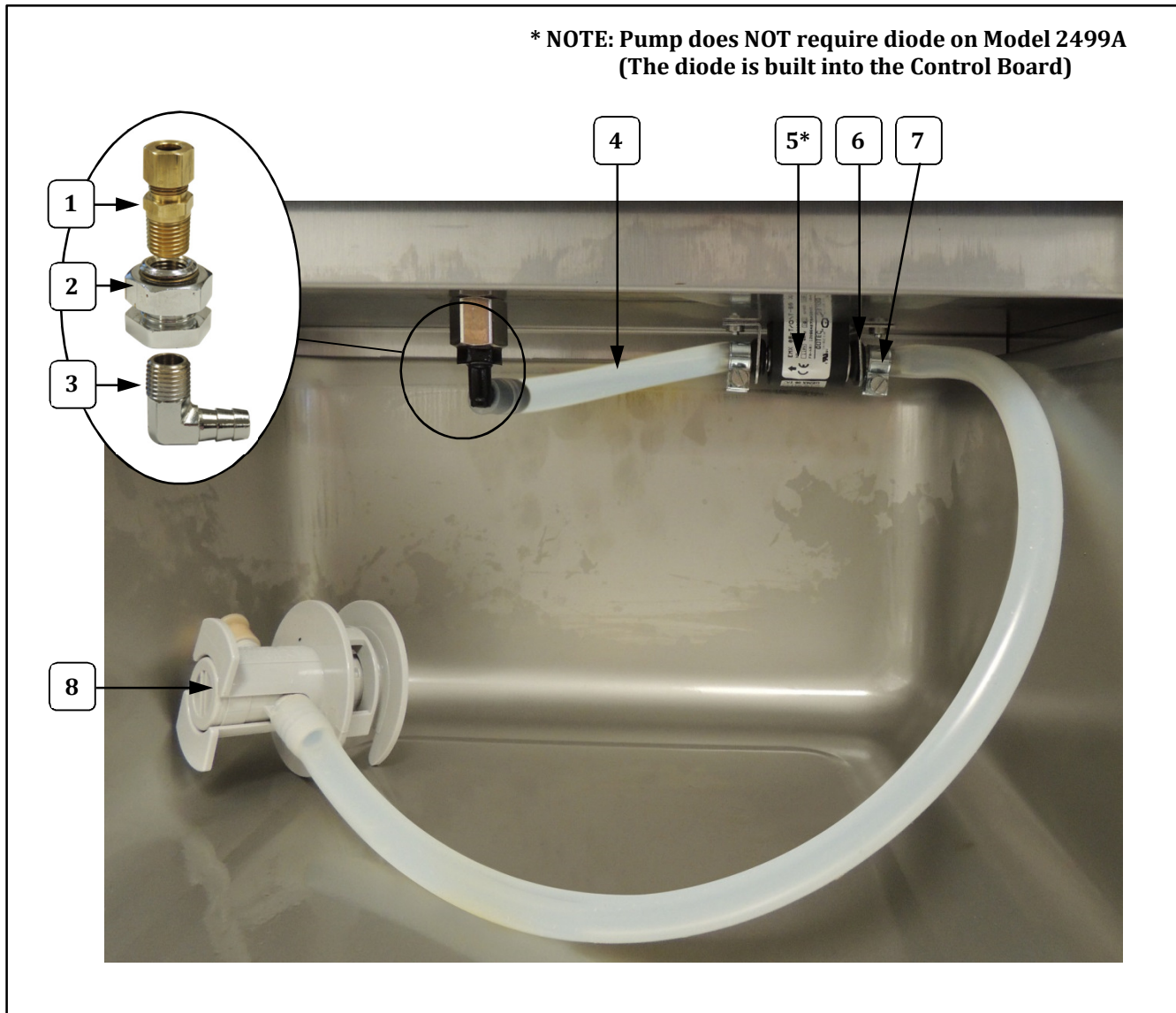
Unit Interior – Holding Pan (Pump Unit View)



Item	Part Description	Qty.	Part No.
			2499A
1	TUBING FITTING	1	69577
2	ANCHOR COUPLING	1	56016
3	90 DEGREE BARB FITTING	1	69177
4	FOOD TUBING (replacement tubing sold by the foot)		91375
5	B.I.B. BUTTER PUMP (*Note: Pump does not require diode on Model 2499A)	1	79888
6	PUMP BRACKET	2	69157
7	SINGLE WIRE HOSE CLAMP	2	75110
8	UNIVERSAL BAG CONNECTOR	1	79100G



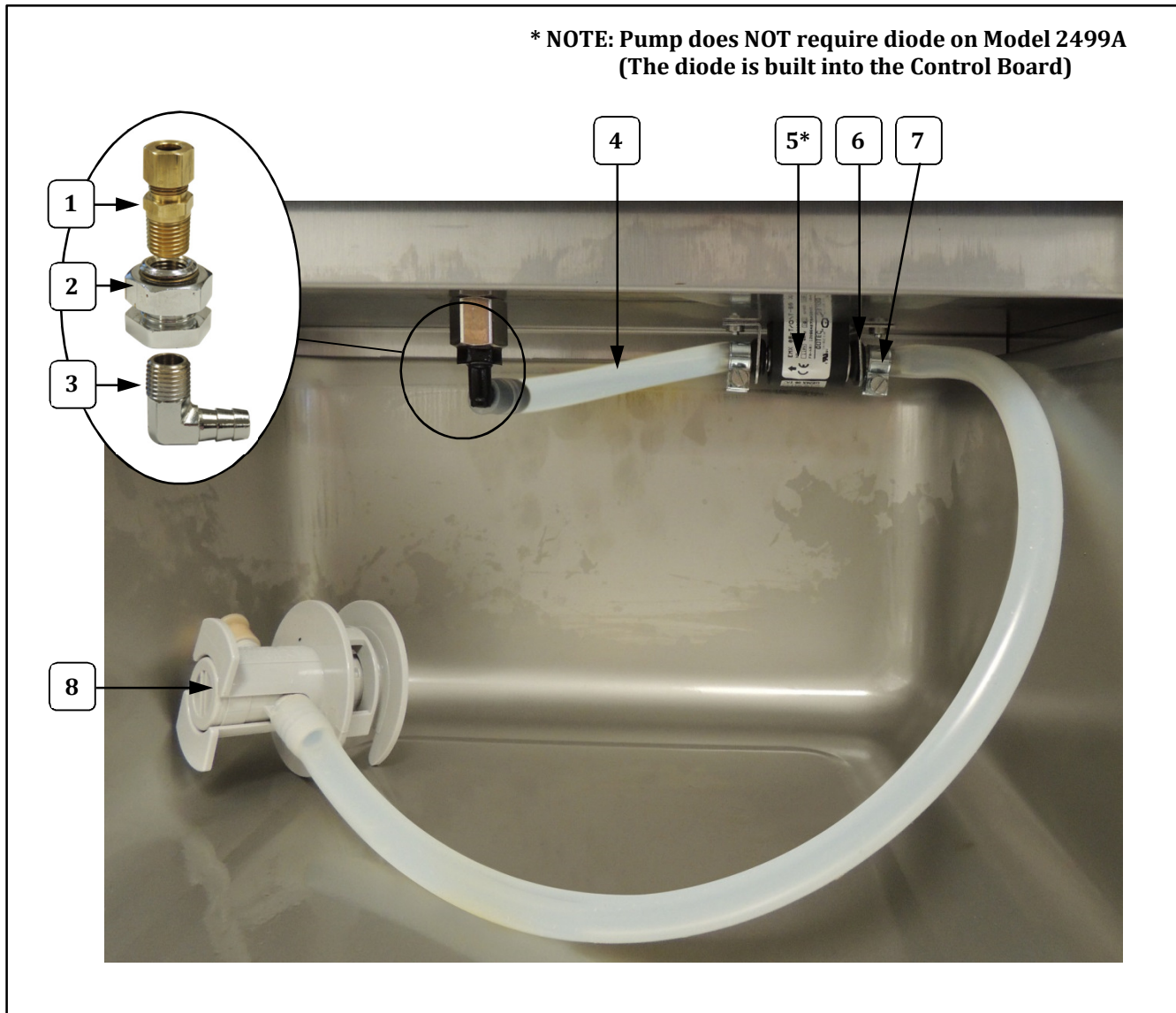
Unit Interior – Holding Pan (Pump Unit View)



Item	Part Description	Qty.	Part No.
			2499A
1	TUBING FITTING	1	69577
2	ANCHOR COUPLING	1	56016
3	90 DEGREE BARB FITTING	1	69177
4	FOOD TUBING (replacement tubing sold by the foot)		91375
5	B.I.B. BUTTER PUMP (*Note: Pump does not require diode on Model 2499A)	1	79888
6	PUMP BRACKET	2	69157
7	SINGLE WIRE HOSE CLAMP	2	75110
8	UNIVERSAL BAG CONNECTOR	1	79100G



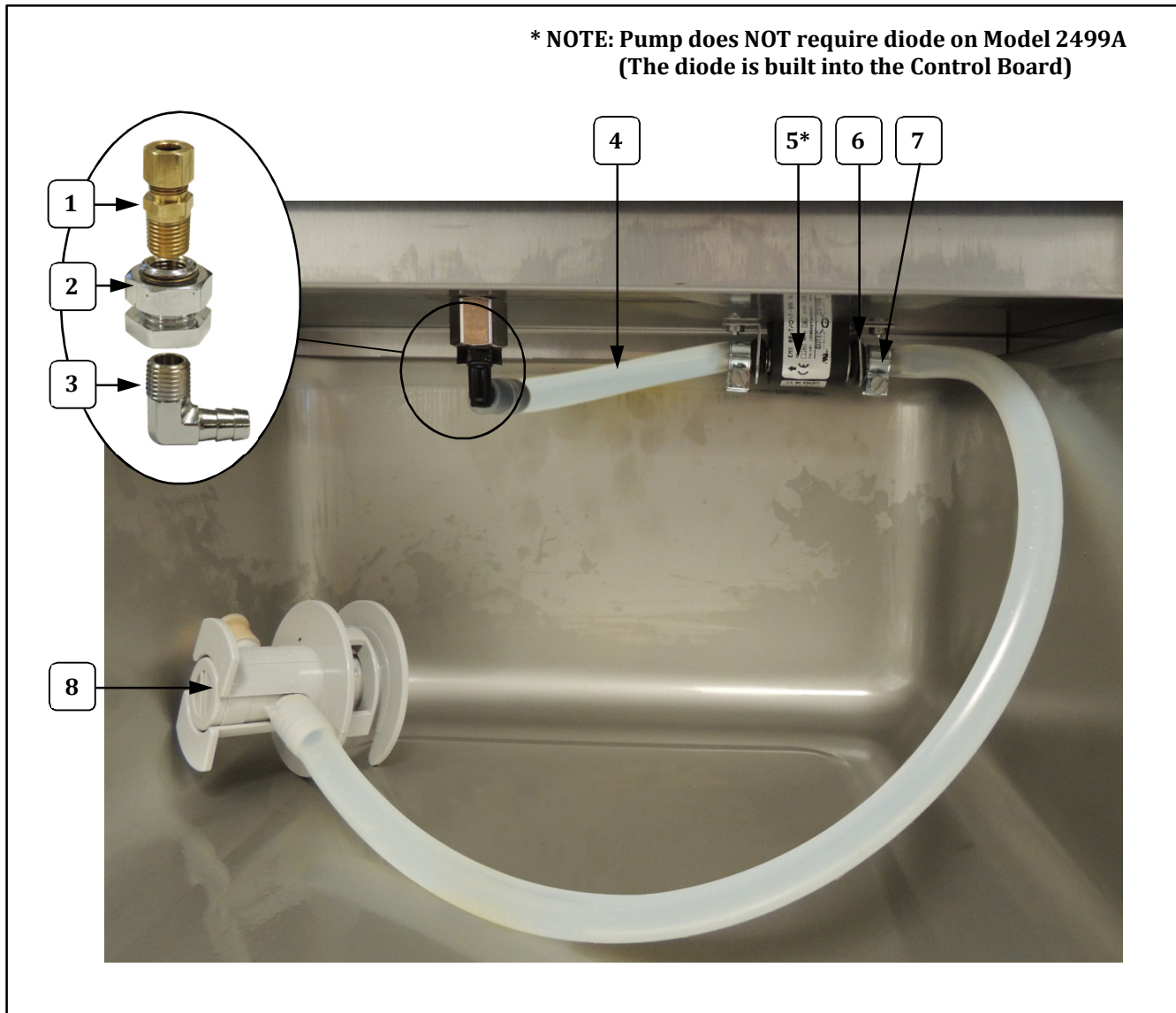
Unit Interior – Holding Pan (Pump Unit View)



Item	Part Description	Qty.	Part No.
			2499A
1	TUBING FITTING	1	69577
2	ANCHOR COUPLING	1	56016
3	90 DEGREE BARB FITTING	1	69177
4	FOOD TUBING (replacement tubing sold by the foot)		91375
5	B.I.B. BUTTER PUMP (*Note: Pump does not require diode on Model 2499A)	1	79888
6	PUMP BRACKET	2	69157
7	SINGLE WIRE HOSE CLAMP	2	75110
8	UNIVERSAL BAG CONNECTOR	1	79100G



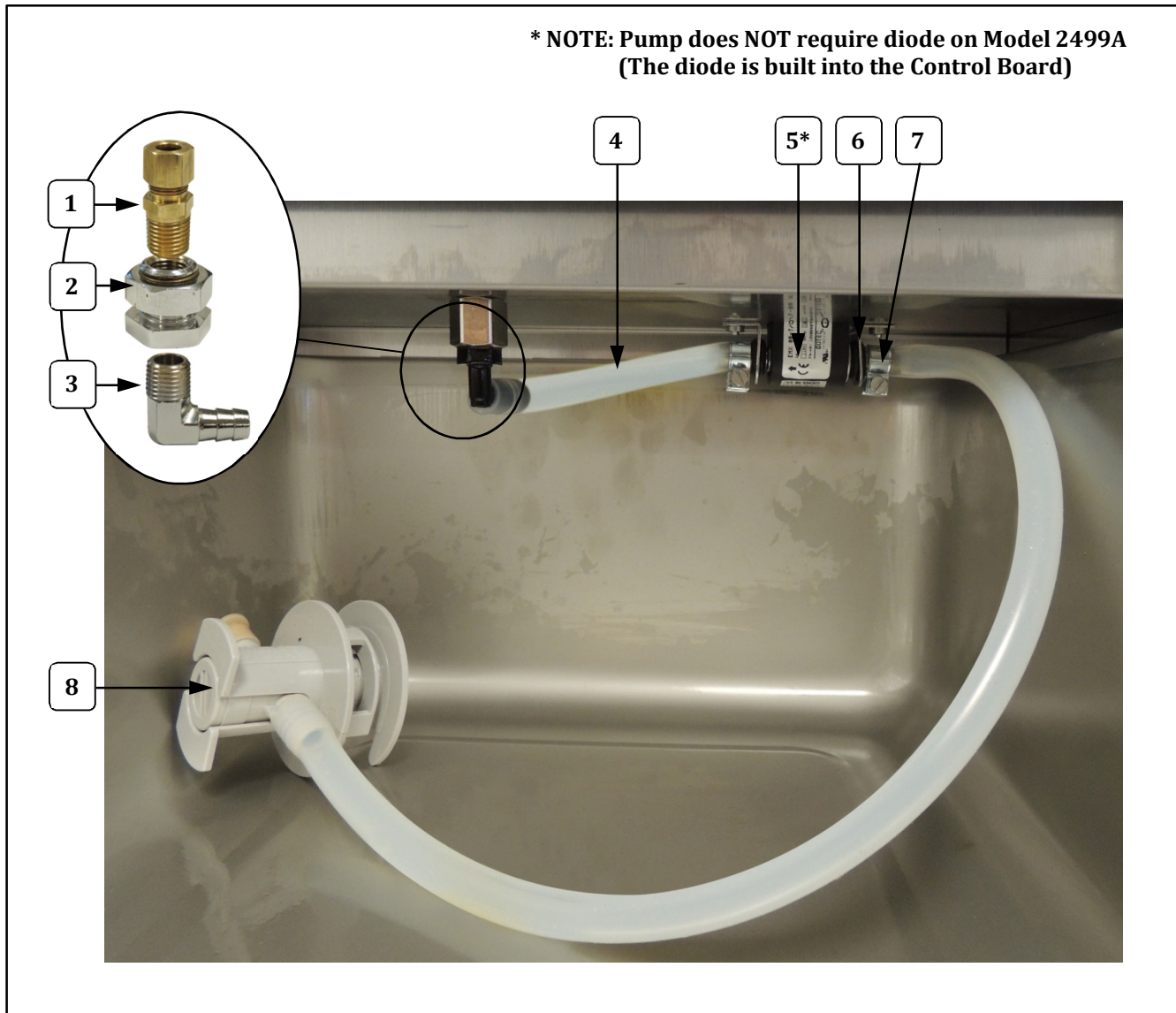
Unit Interior – Holding Pan (Pump Unit View)



Item	Part Description	Qty.	Part No.
			2499A
1	TUBING FITTING	1	69577
2	ANCHOR COUPLING	1	56016
3	90 DEGREE BARB FITTING	1	69177
4	FOOD TUBING (replacement tubing sold by the foot)		91375
5	B.I.B. BUTTER PUMP (*Note: Pump does not require diode on Model 2499A)	1	79888
6	PUMP BRACKET	2	69157
7	SINGLE WIRE HOSE CLAMP	2	75110
8	UNIVERSAL BAG CONNECTOR	1	79100G



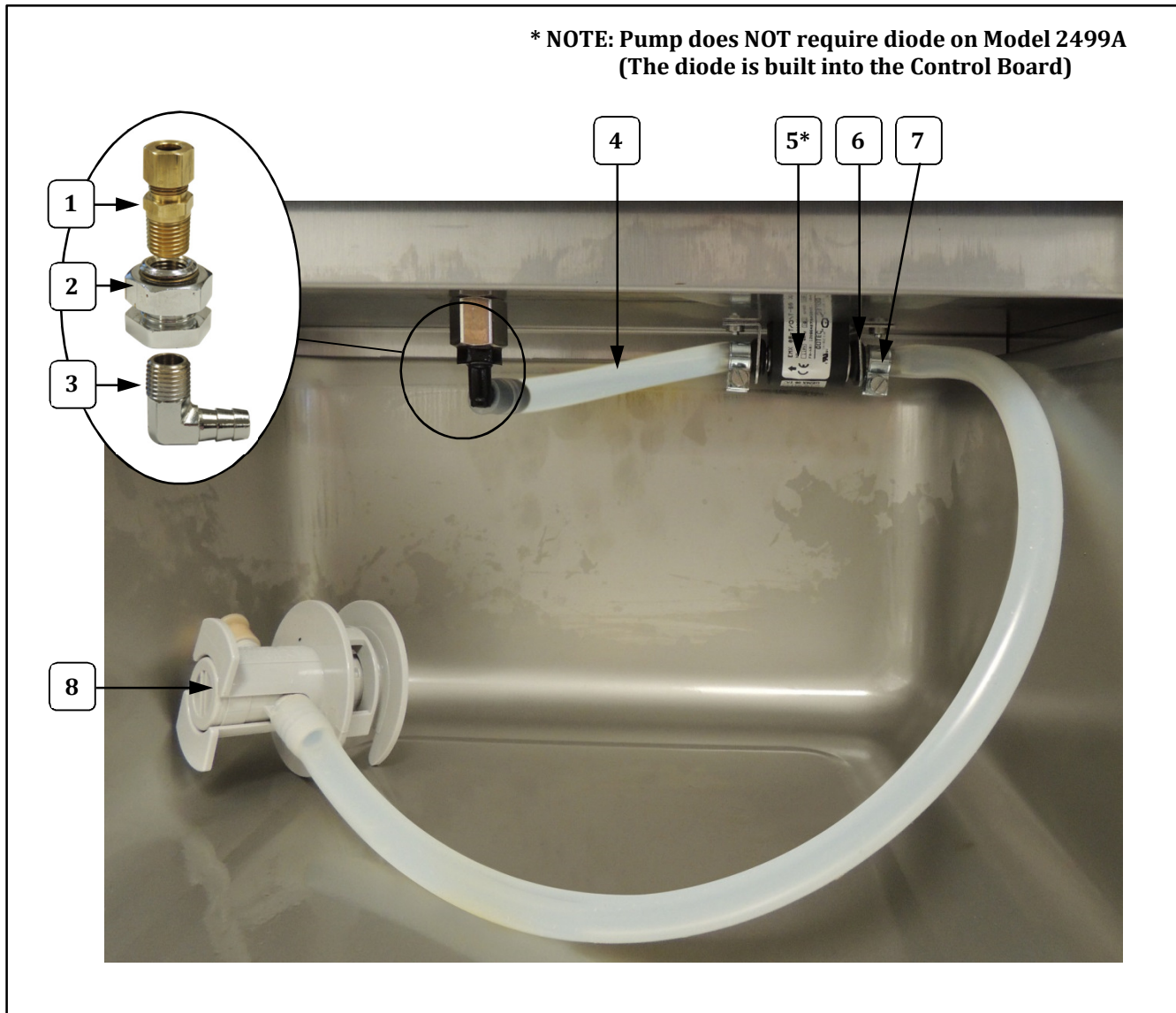
Unit Interior – Holding Pan (Pump Unit View)



Item	Part Description	Qty.	Part No.
			2499A
1	TUBING FITTING	1	69577
2	ANCHOR COUPLING	1	56016
3	90 DEGREE BARB FITTING	1	69177
4	FOOD TUBING (replacement tubing sold by the foot)		91375
5	B.I.B. BUTTER PUMP (*Note: Pump does not require diode on Model 2499A)	1	79888
6	PUMP BRACKET	2	69157
7	SINGLE WIRE HOSE CLAMP	2	75110
8	UNIVERSAL BAG CONNECTOR	1	79100G



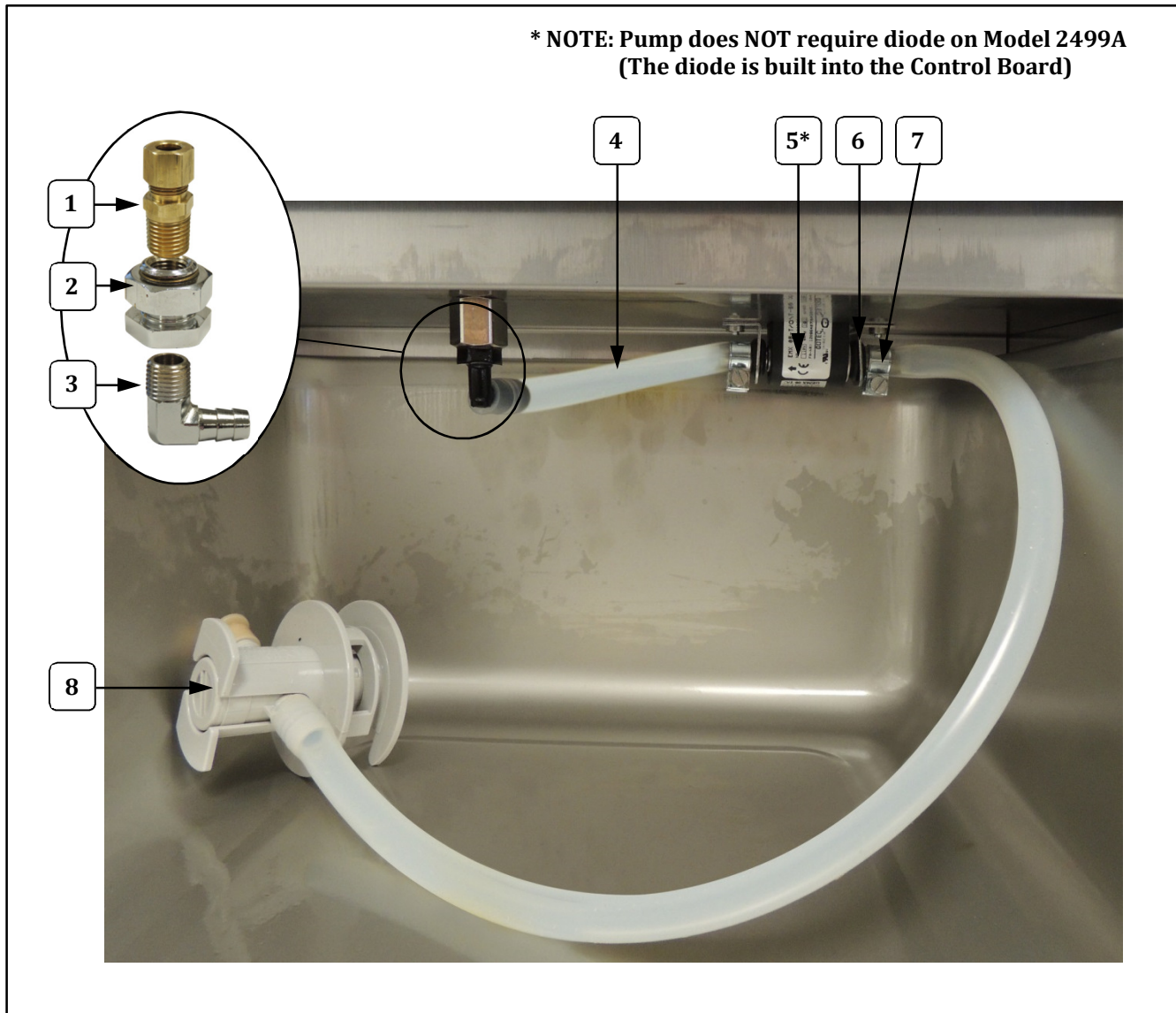
Unit Interior – Holding Pan (Pump Unit View)



Item	Part Description	Qty.	Part No.
			2499A
1	TUBING FITTING	1	69577
2	ANCHOR COUPLING	1	56016
3	90 DEGREE BARB FITTING	1	69177
4	FOOD TUBING (replacement tubing sold by the foot)		91375
5	B.I.B. BUTTER PUMP (*Note: Pump does not require diode on Model 2499A)	1	79888
6	PUMP BRACKET	2	69157
7	SINGLE WIRE HOSE CLAMP	2	75110
8	UNIVERSAL BAG CONNECTOR	1	79100G



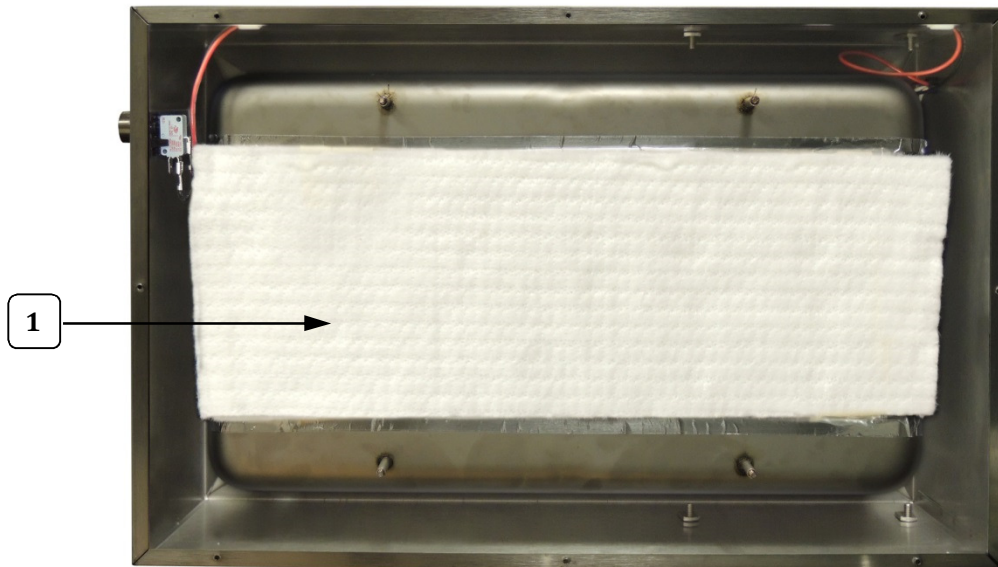
Unit Interior – Holding Pan (Pump Unit View)



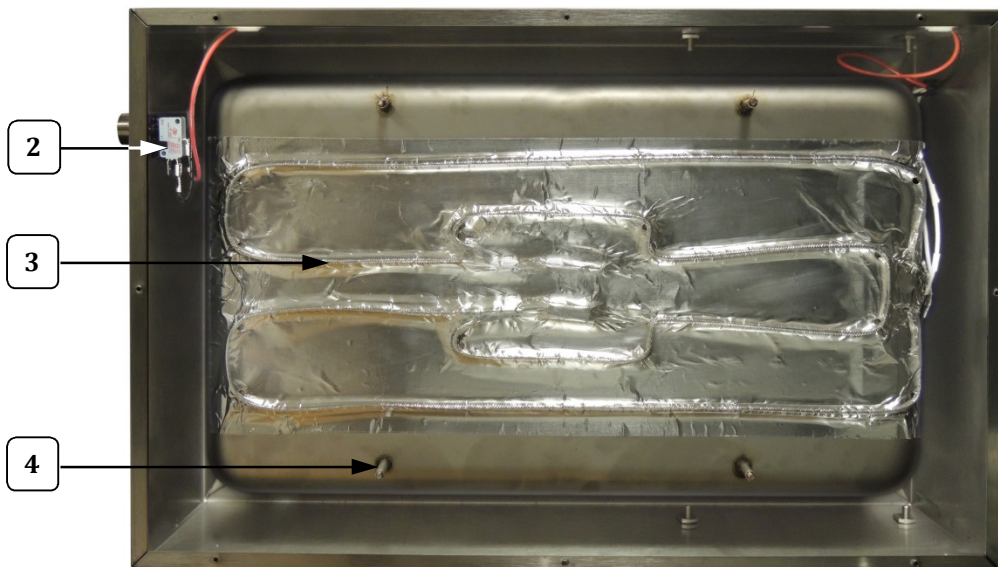
Item	Part Description	Qty.	Part No.
			2499A
1	TUBING FITTING	1	69577
2	ANCHOR COUPLING	1	56016
3	90 DEGREE BARB FITTING	1	69177
4	FOOD TUBING (replacement tubing sold by the foot)		91375
5	B.I.B. BUTTER PUMP (*Note: Pump does not require diode on Model 2499A)	1	79888
6	PUMP BRACKET	2	69157
7	SINGLE WIRE HOSE CLAMP	2	75110
8	UNIVERSAL BAG CONNECTOR	1	79100G



Bottom Interior



Insulation View (Covers Element)

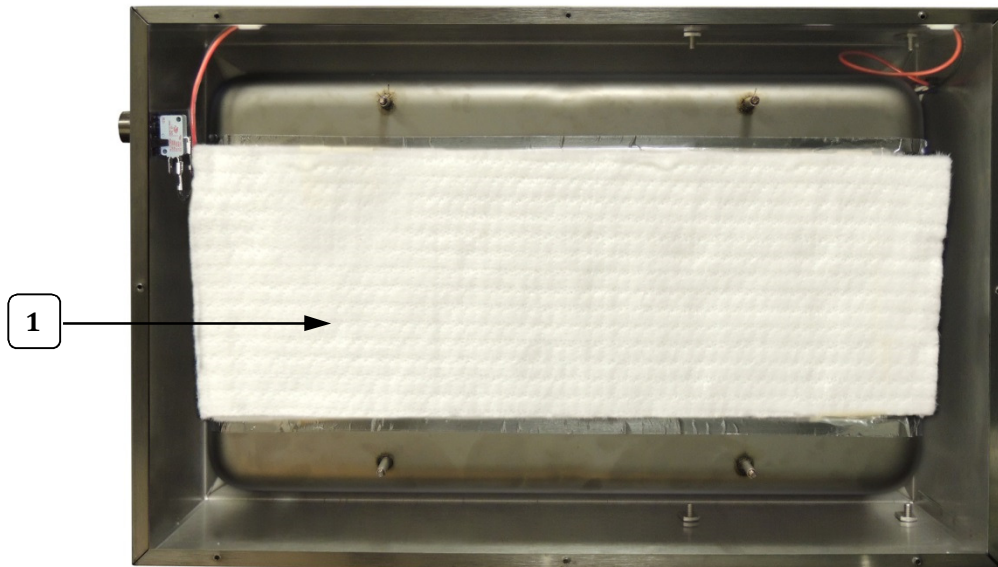


Element View (Under Insulation)

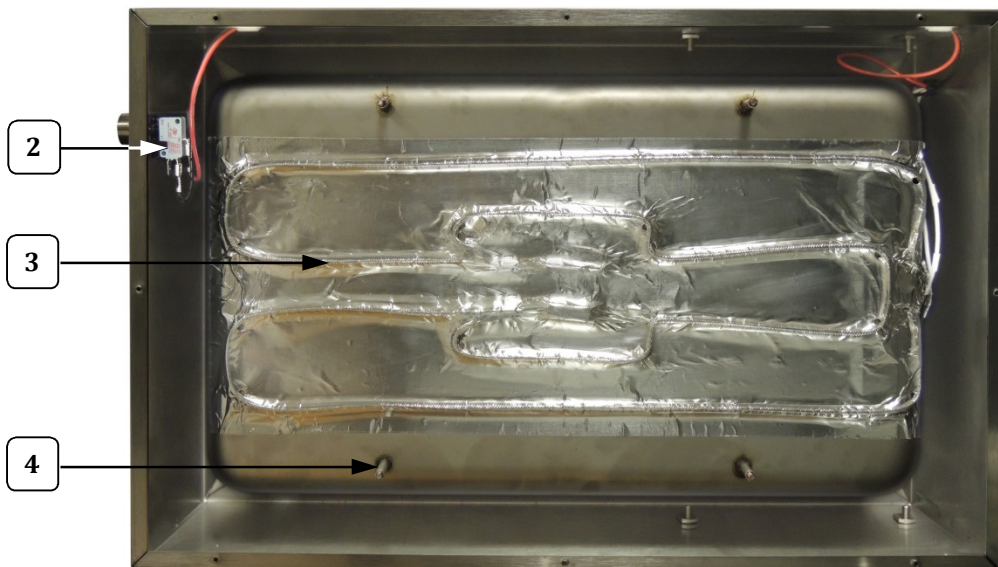
Item	Part Description	Qty.	Part No. 2499A
1	INSULATION WRAP	2	38294
2	MOMENTARY SWITCH	1	38971
3	FOIL ELEMENT 300W 120V	1	39949
4	SPACER .180"ID X 1.030"LG	4	88594



Bottom Interior



Insulation View (Covers Element)

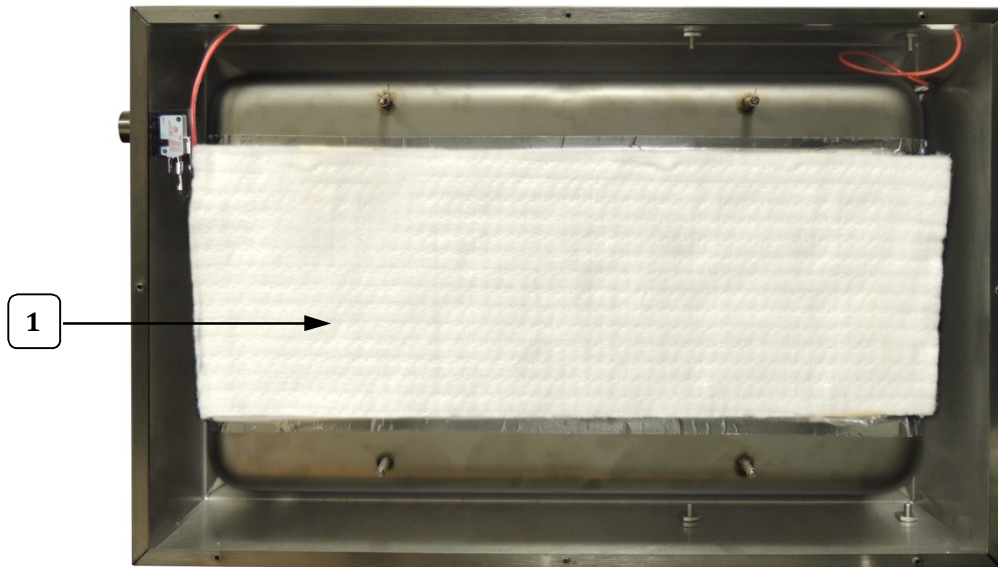


Element View (Under Insulation)

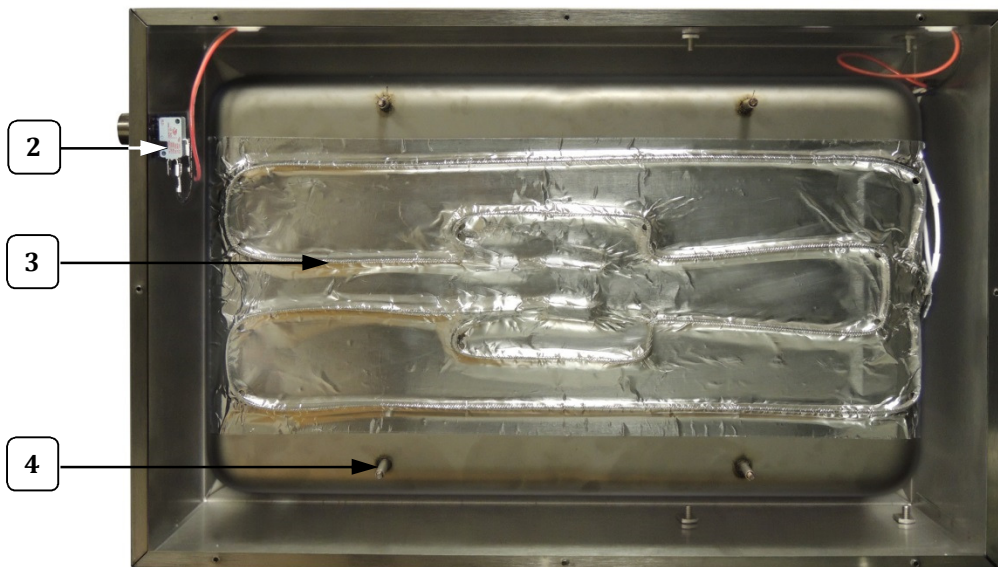
Item	Part Description	Qty.	Part No. 2499A
1	INSULATION WRAP	2	38294
2	MOMENTARY SWITCH	1	38971
3	FOIL ELEMENT 300W 120V	1	39949
4	SPACER .180"ID X 1.030"LG	4	88594



Bottom Interior



Insulation View (Covers Element)



Element View (Under Insulation)

Item	Part Description	Qty.	Part No. 2499A
1	INSULATION WRAP	2	38294
2	MOMENTARY SWITCH	1	38971
3	FOIL ELEMENT 300W 120V	1	39949
4	SPACER .180"ID X 1.030"LG	4	88594