



# Instruction Manual

## Econo-Floss and Floss-Maxx

Model No. 3017, 3017SR, 3017SS, 3077 and 3077C



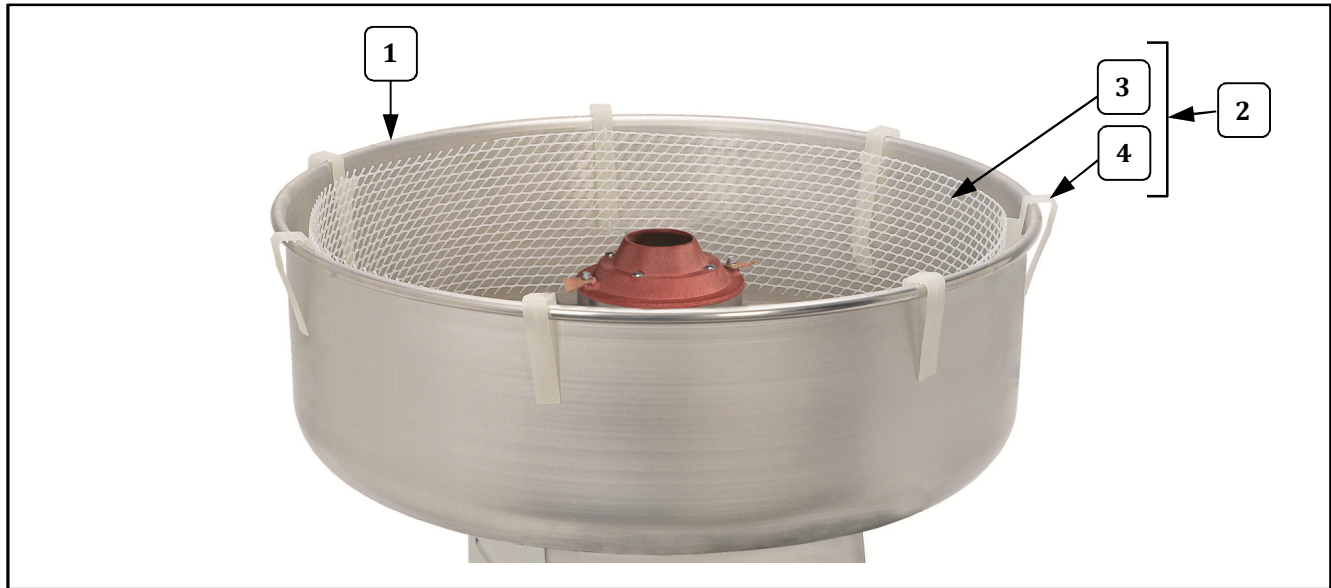
**GOLD MEDAL® PRODUCTS CO.**

10700 Medallion Drive, Cincinnati, Ohio 45241-4807 USA

## Parts List - Floss Machine Exterior View

Item	Part Description	Qty.	Part Number			
			3017	3017SR	3017SS	3077 (3077C)
1	SPINNER HEAD COMPLETE 5IN	1	42283	42283	42283	42561
2	INSP.COVER,FOUR BRUSH	2	42381	42381	42381	42381
3	8-32 X 1/2 SLOTTED H W H	4	49379	49379	49379	49379
4	BELL HOUSING, DUAL BRUSH	1	42190	42190	42190	42190
5	ACORN NUT 1/4-20	3	49068	49068	49068	49068
6	HANDLE	2	67069	67069	67069	67069
7	BOTTOM PLATE NS	1	42448	42448	42448	42448
8	STRAIN RELIEF #SR-6P3-4	1	76026	76026	76026	76026
9	LEAD-IN CORD 15 AMP PLUG	1	22038	22038	22038	87085 (3077)
	LEAD-IN CORD 20 AMP PLUG	1				47580 (3077C)
10	SWITCH, LIGHTED ROCKER GR	2	42798	42798	42798	42798
11	KNOB, ELECTRONIC HEAT CONTROL	1	42556	42556	42556	42556
12	NAMEPLATE	1	12600	12600	12600	12608
13	RUBBER FEET 3/4IN HIGH	8	47155	47155	47155	47155
14	KNOB SHIPPING BRACKET	2	42150	42150	42150	42150
15	SHIPPING BRACKET ASSY	1	69839	69839	69839	69839
16	BRUSH HOLDER ASSY RED/WHT (Includes Brushes, Caps, Holders)	2	42382W	42382W	42382W	42382W
17	CAP, BRUSH HOLDER	4	42138	42138	42138	42138
18	CARBON BRUSH	4	55007	55007	55007	55007
19	DUAL BRUSH HOLDER W/LEADS	2	42436W	42436W	42436W	42436W

## Floss Pan and Whirlgrip Stabilizer

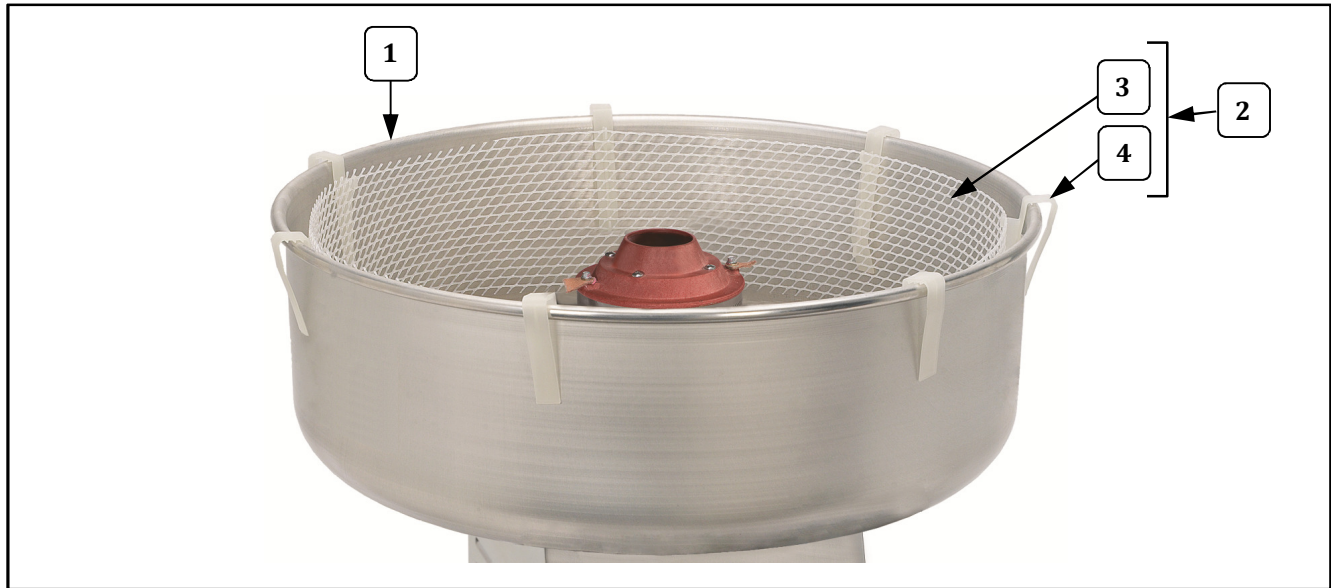


Item	Part Description	Qty.	Part Number			
			3017	3017SR	3017SS	3077 (3077C)
1	FLOSS PAN, ALUMINUM	1	42040	42040	42040	42040
2	WHIRLGRIP STABILIZER (Includes Floss Stabilizer and Clips)	1	3010	3010	3010	3010
3	FLOSS STABILIZER (Web)	1	43032	43032	43032	43032
4	WHIRLGRIP CLIPS	6	77470	77470	77470	77470

## Parts List - Floss Machine Exterior View

Item	Part Description	Qty.	Part Number			
			3017	3017SR	3017SS	3077 (3077C)
1	SPINNER HEAD COMPLETE 5IN	1	42283	42283	42283	42561
2	INSP.COVER,FOUR BRUSH	2	42381	42381	42381	42381
3	8-32 X 1/2 SLOTTED H W H	4	49379	49379	49379	49379
4	BELL HOUSING, DUAL BRUSH	1	42190	42190	42190	42190
5	ACORN NUT 1/4-20	3	49068	49068	49068	49068
6	HANDLE	2	67069	67069	67069	67069
7	BOTTOM PLATE NS	1	42448	42448	42448	42448
8	STRAIN RELIEF #SR-6P3-4	1	76026	76026	76026	76026
9	LEAD-IN CORD 15 AMP PLUG	1	22038	22038	22038	87085 (3077)
	LEAD-IN CORD 20 AMP PLUG	1				47580 (3077C)
10	SWITCH, LIGHTED ROCKER GR	2	42798	42798	42798	42798
11	KNOB, ELECTRONIC HEAT CONTROL	1	42556	42556	42556	42556
12	NAMEPLATE	1	12600	12600	12600	12608
13	RUBBER FEET 3/4IN HIGH	8	47155	47155	47155	47155
14	KNOB SHIPPING BRACKET	2	42150	42150	42150	42150
15	SHIPPING BRACKET ASSY	1	69839	69839	69839	69839
16	BRUSH HOLDER ASSY RED/WHT (Includes Brushes, Caps, Holders)	2	42382W	42382W	42382W	42382W
17	CAP, BRUSH HOLDER	4	42138	42138	42138	42138
18	CARBON BRUSH	4	55007	55007	55007	55007
19	DUAL BRUSH HOLDER W/LEADS	2	42436W	42436W	42436W	42436W

## Floss Pan and Whirlgrip Stabilizer

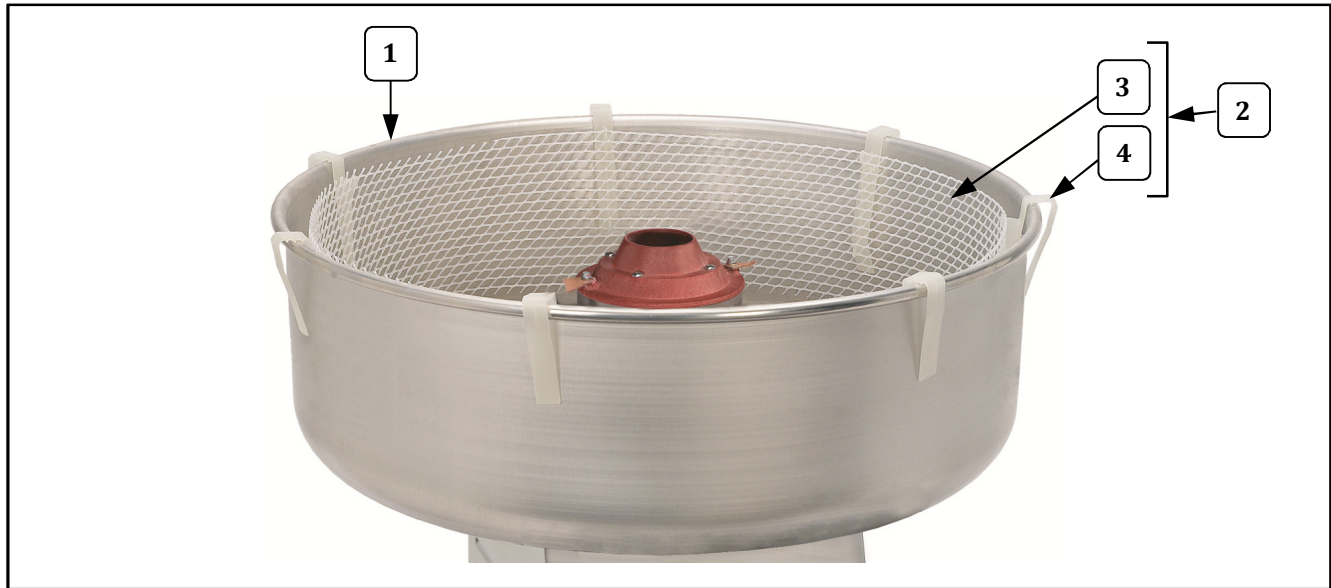


Item	Part Description	Qty.	Part Number			
			3017	3017SR	3017SS	3077 (3077C)
1	FLOSS PAN, ALUMINUM	1	42040	42040	42040	42040
2	WHIRLGRIP STABILIZER (Includes Floss Stabilizer and Clips)	1	3010	3010	3010	3010
3	FLOSS STABILIZER (Web)	1	43032	43032	43032	43032
4	WHIRLGRIP CLIPS	6	77470	77470	77470	77470

## Parts List - Floss Machine Exterior View

Item	Part Description	Qty.	Part Number			
			3017	3017SR	3017SS	3077 (3077C)
1	SPINNER HEAD COMPLETE 5IN	1	42283	42283	42283	42561
2	INSP.COVER,FOUR BRUSH	2	42381	42381	42381	42381
3	8-32 X 1/2 SLOTTED H W H	4	49379	49379	49379	49379
4	BELL HOUSING, DUAL BRUSH	1	42190	42190	42190	42190
5	ACORN NUT 1/4-20	3	49068	49068	49068	49068
6	HANDLE	2	67069	67069	67069	67069
7	BOTTOM PLATE NS	1	42448	42448	42448	42448
8	STRAIN RELIEF #SR-6P3-4	1	76026	76026	76026	76026
9	LEAD-IN CORD 15 AMP PLUG	1	22038	22038	22038	87085 (3077)
	LEAD-IN CORD 20 AMP PLUG	1				47580 (3077C)
10	SWITCH, LIGHTED ROCKER GR	2	42798	42798	42798	42798
11	KNOB, ELECTRONIC HEAT CONTROL	1	42556	42556	42556	42556
12	NAMEPLATE	1	12600	12600	12600	12608
13	RUBBER FEET 3/4IN HIGH	8	47155	47155	47155	47155
14	KNOB SHIPPING BRACKET	2	42150	42150	42150	42150
15	SHIPPING BRACKET ASSY	1	69839	69839	69839	69839
16	BRUSH HOLDER ASSY RED/WHT (Includes Brushes, Caps, Holders)	2	42382W	42382W	42382W	42382W
17	CAP, BRUSH HOLDER	4	42138	42138	42138	42138
18	CARBON BRUSH	4	55007	55007	55007	55007
19	DUAL BRUSH HOLDER W/LEADS	2	42436W	42436W	42436W	42436W

## Floss Pan and Whirlgrip Stabilizer

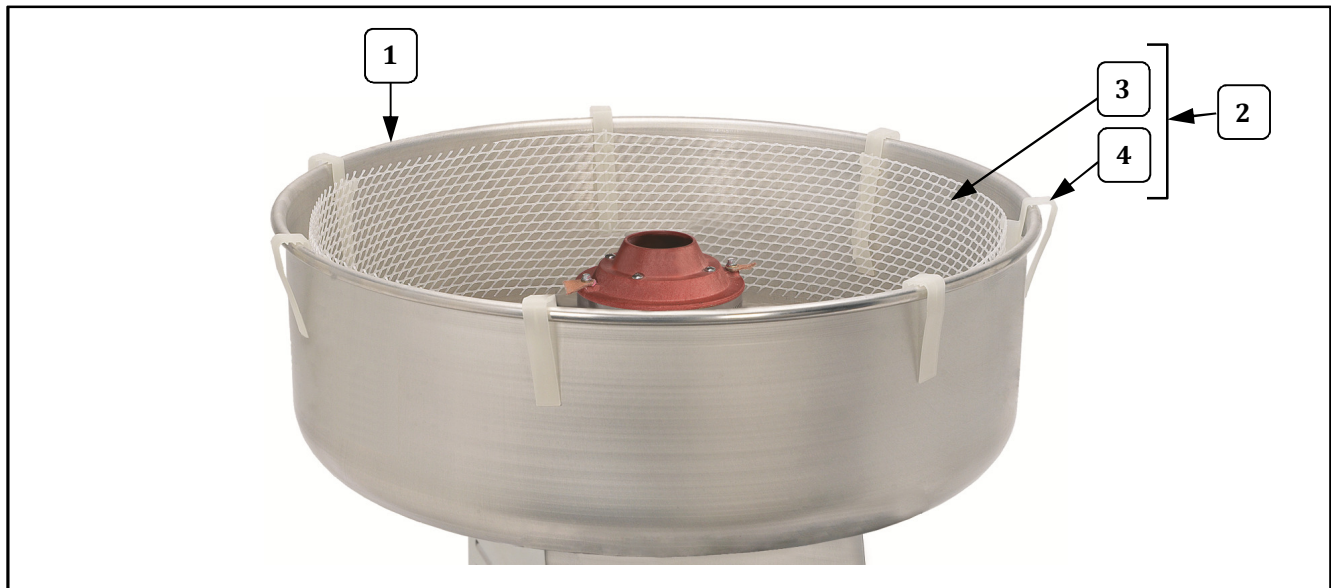


Item	Part Description	Qty.	Part Number			
			3017	3017SR	3017SS	3077 (3077C)
1	FLOSS PAN, ALUMINUM	1	42040	42040	42040	42040
2	WHIRLGRIP STABILIZER (Includes Floss Stabilizer and Clips)	1	3010	3010	3010	3010
3	FLOSS STABILIZER (Web)	1	43032	43032	43032	43032
4	WHIRLGRIP CLIPS	6	77470	77470	77470	77470

## Parts List - Floss Machine Exterior View

Item	Part Description	Qty.	Part Number			
			3017	3017SR	3017SS	3077 (3077C)
1	SPINNER HEAD COMPLETE 5IN	1	42283	42283	42283	42561
2	INSP.COVER,FOUR BRUSH	2	42381	42381	42381	42381
3	8-32 X 1/2 SLOTTED H W H	4	49379	49379	49379	49379
4	BELL HOUSING, DUAL BRUSH	1	42190	42190	42190	42190
5	ACORN NUT 1/4-20	3	49068	49068	49068	49068
6	HANDLE	2	67069	67069	67069	67069
7	BOTTOM PLATE NS	1	42448	42448	42448	42448
8	STRAIN RELIEF #SR-6P3-4	1	76026	76026	76026	76026
9	LEAD-IN CORD 15 AMP PLUG	1	22038	22038	22038	87085 (3077)
	LEAD-IN CORD 20 AMP PLUG	1				47580 (3077C)
10	SWITCH, LIGHTED ROCKER GR	2	42798	42798	42798	42798
11	KNOB, ELECTRONIC HEAT CONTROL	1	42556	42556	42556	42556
12	NAMEPLATE	1	12600	12600	12600	12608
13	RUBBER FEET 3/4IN HIGH	8	47155	47155	47155	47155
14	KNOB SHIPPING BRACKET	2	42150	42150	42150	42150
15	SHIPPING BRACKET ASSY	1	69839	69839	69839	69839
16	BRUSH HOLDER ASSY RED/WHT (Includes Brushes, Caps, Holders)	2	42382W	42382W	42382W	42382W
17	CAP, BRUSH HOLDER	4	42138	42138	42138	42138
18	CARBON BRUSH	4	55007	55007	55007	55007
19	DUAL BRUSH HOLDER W/LEADS	2	42436W	42436W	42436W	42436W

## Floss Pan and Whirlgrip Stabilizer

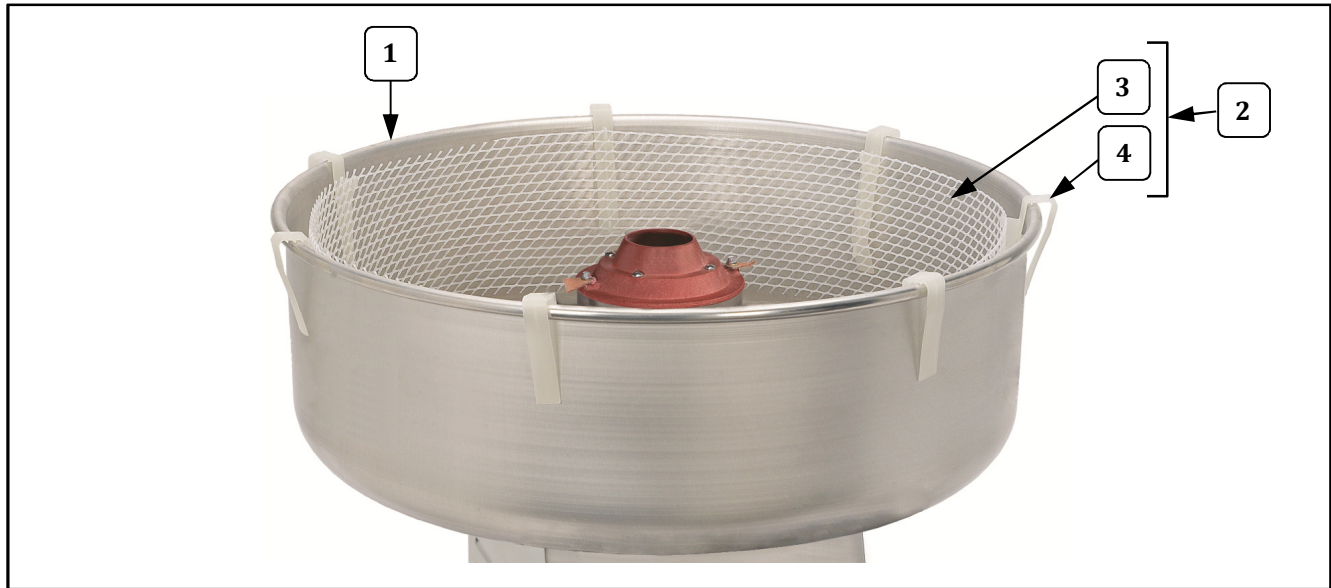


Item	Part Description	Qty.	Part Number			
			3017	3017SR	3017SS	3077 (3077C)
1	FLOSS PAN, ALUMINUM	1	42040	42040	42040	42040
2	WHIRLGRIP STABILIZER (Includes Floss Stabilizer and Clips)	1	3010	3010	3010	3010
3	FLOSS STABILIZER (Web)	1	43032	43032	43032	43032
4	WHIRLGRIP CLIPS	6	77470	77470	77470	77470

## Parts List - Floss Machine Exterior View

Item	Part Description	Qty.	Part Number			
			3017	3017SR	3017SS	3077 (3077C)
1	SPINNER HEAD COMPLETE 5IN	1	42283	42283	42283	42561
2	INSP.COVER,FOUR BRUSH	2	42381	42381	42381	42381
3	8-32 X 1/2 SLOTTED H W H	4	49379	49379	49379	49379
4	BELL HOUSING, DUAL BRUSH	1	42190	42190	42190	42190
5	ACORN NUT 1/4-20	3	49068	49068	49068	49068
6	HANDLE	2	67069	67069	67069	67069
7	BOTTOM PLATE NS	1	42448	42448	42448	42448
8	STRAIN RELIEF #SR-6P3-4	1	76026	76026	76026	76026
9	LEAD-IN CORD 15 AMP PLUG	1	22038	22038	22038	87085 (3077)
	LEAD-IN CORD 20 AMP PLUG	1				47580 (3077C)
10	SWITCH, LIGHTED ROCKER GR	2	42798	42798	42798	42798
11	KNOB, ELECTRONIC HEAT CONTROL	1	42556	42556	42556	42556
12	NAMEPLATE	1	12600	12600	12600	12608
13	RUBBER FEET 3/4IN HIGH	8	47155	47155	47155	47155
14	KNOB SHIPPING BRACKET	2	42150	42150	42150	42150
15	SHIPPING BRACKET ASSY	1	69839	69839	69839	69839
16	BRUSH HOLDER ASSY RED/WHT (Includes Brushes, Caps, Holders)	2	42382W	42382W	42382W	42382W
17	CAP, BRUSH HOLDER	4	42138	42138	42138	42138
18	CARBON BRUSH	4	55007	55007	55007	55007
19	DUAL BRUSH HOLDER W/LEADS	2	42436W	42436W	42436W	42436W

## Floss Pan and Whirlgrip Stabilizer

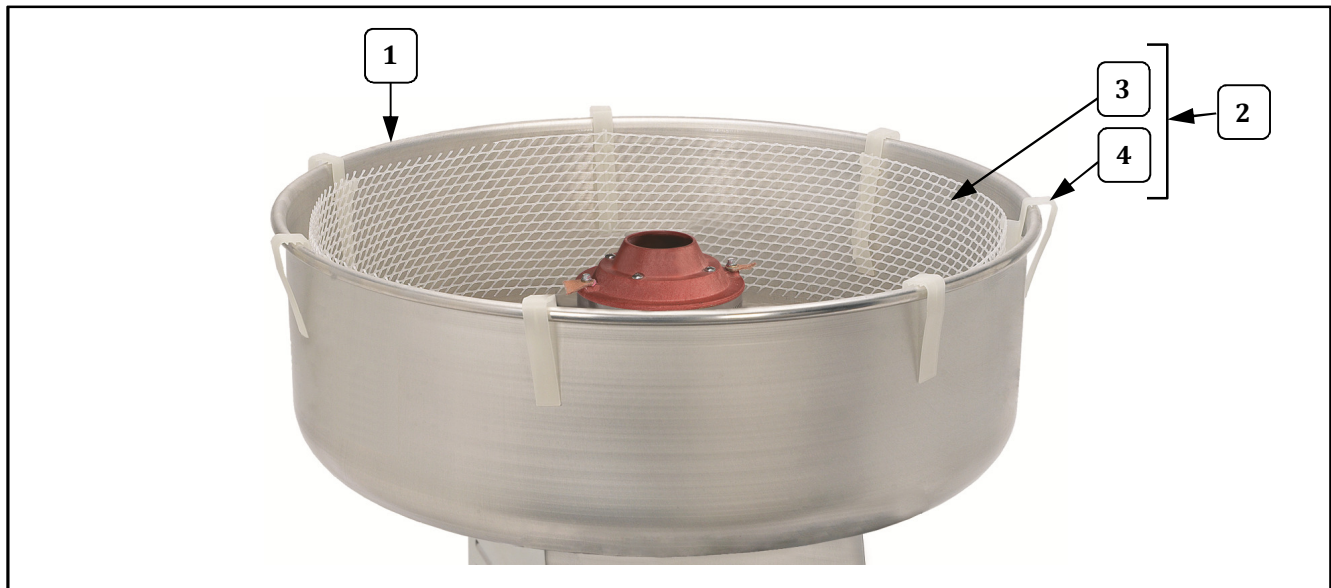


Item	Part Description	Qty.	Part Number			
			3017	3017SR	3017SS	3077 (3077C)
1	FLOSS PAN, ALUMINUM	1	42040	42040	42040	42040
2	WHIRLGRIP STABILIZER (Includes Floss Stabilizer and Clips)	1	3010	3010	3010	3010
3	FLOSS STABILIZER (Web)	1	43032	43032	43032	43032
4	WHIRLGRIP CLIPS	6	77470	77470	77470	77470

## Parts List - Floss Machine Exterior View

Item	Part Description	Qty.	Part Number			
			3017	3017SR	3017SS	3077 (3077C)
1	SPINNER HEAD COMPLETE 5IN	1	42283	42283	42283	42561
2	INSP.COVER,FOUR BRUSH	2	42381	42381	42381	42381
3	8-32 X 1/2 SLOTTED H W H	4	49379	49379	49379	49379
4	BELL HOUSING, DUAL BRUSH	1	42190	42190	42190	42190
5	ACORN NUT 1/4-20	3	49068	49068	49068	49068
6	HANDLE	2	67069	67069	67069	67069
7	BOTTOM PLATE NS	1	42448	42448	42448	42448
8	STRAIN RELIEF #SR-6P3-4	1	76026	76026	76026	76026
9	LEAD-IN CORD 15 AMP PLUG	1	22038	22038	22038	87085 (3077)
	LEAD-IN CORD 20 AMP PLUG	1				47580 (3077C)
10	SWITCH, LIGHTED ROCKER GR	2	42798	42798	42798	42798
11	KNOB, ELECTRONIC HEAT CONTROL	1	42556	42556	42556	42556
12	NAMEPLATE	1	12600	12600	12600	12608
13	RUBBER FEET 3/4IN HIGH	8	47155	47155	47155	47155
14	KNOB SHIPPING BRACKET	2	42150	42150	42150	42150
15	SHIPPING BRACKET ASSY	1	69839	69839	69839	69839
16	BRUSH HOLDER ASSY RED/WHT (Includes Brushes, Caps, Holders)	2	42382W	42382W	42382W	42382W
17	CAP, BRUSH HOLDER	4	42138	42138	42138	42138
18	CARBON BRUSH	4	55007	55007	55007	55007
19	DUAL BRUSH HOLDER W/LEADS	2	42436W	42436W	42436W	42436W

## Floss Pan and Whirlgrip Stabilizer

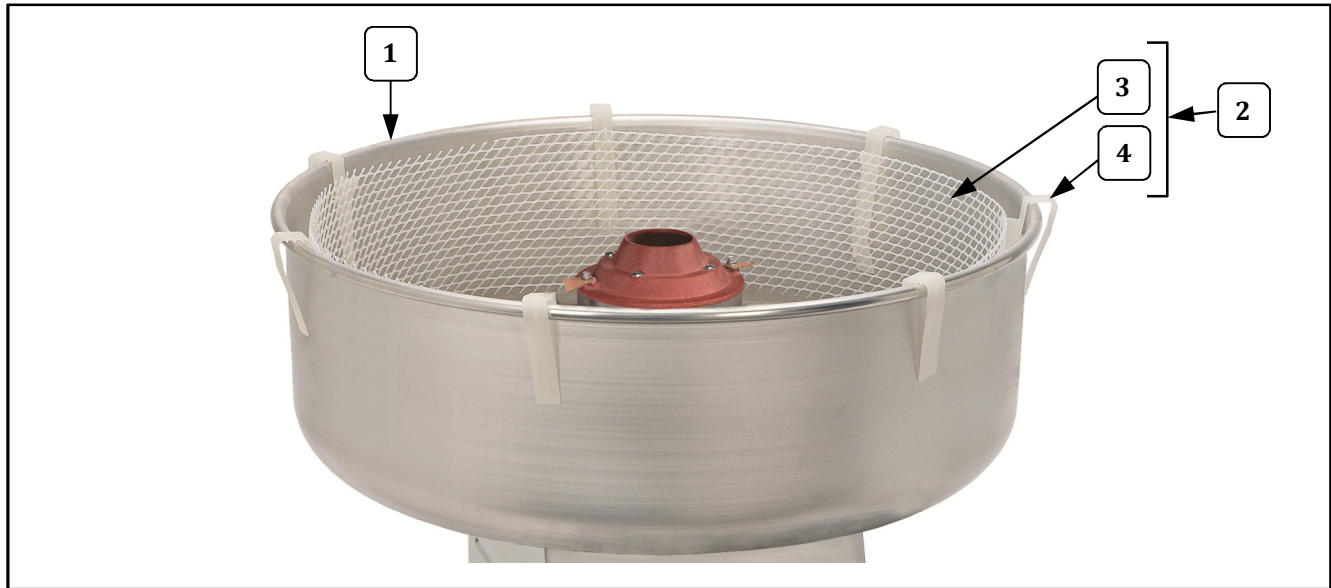


Item	Part Description	Qty.	Part Number			
			3017	3017SR	3017SS	3077 (3077C)
1	FLOSS PAN, ALUMINUM	1	42040	42040	42040	42040
2	WHIRLGRIP STABILIZER (Includes Floss Stabilizer and Clips)	1	3010	3010	3010	3010
3	FLOSS STABILIZER (Web)	1	43032	43032	43032	43032
4	WHIRLGRIP CLIPS	6	77470	77470	77470	77470

## Parts List - Floss Machine Exterior View

Item	Part Description	Qty.	Part Number			
			3017	3017SR	3017SS	3077 (3077C)
1	SPINNER HEAD COMPLETE 5IN	1	42283	42283	42283	42561
2	INSP.COVER,FOUR BRUSH	2	42381	42381	42381	42381
3	8-32 X 1/2 SLOTTED H W H	4	49379	49379	49379	49379
4	BELL HOUSING, DUAL BRUSH	1	42190	42190	42190	42190
5	ACORN NUT 1/4-20	3	49068	49068	49068	49068
6	HANDLE	2	67069	67069	67069	67069
7	BOTTOM PLATE NS	1	42448	42448	42448	42448
8	STRAIN RELIEF #SR-6P3-4	1	76026	76026	76026	76026
9	LEAD-IN CORD 15 AMP PLUG	1	22038	22038	22038	87085 (3077)
	LEAD-IN CORD 20 AMP PLUG	1				47580 (3077C)
10	SWITCH, LIGHTED ROCKER GR	2	42798	42798	42798	42798
11	KNOB, ELECTRONIC HEAT CONTROL	1	42556	42556	42556	42556
12	NAMEPLATE	1	12600	12600	12600	12608
13	RUBBER FEET 3/4IN HIGH	8	47155	47155	47155	47155
14	KNOB SHIPPING BRACKET	2	42150	42150	42150	42150
15	SHIPPING BRACKET ASSY	1	69839	69839	69839	69839
16	BRUSH HOLDER ASSY RED/WHT (Includes Brushes, Caps, Holders)	2	42382W	42382W	42382W	42382W
17	CAP, BRUSH HOLDER	4	42138	42138	42138	42138
18	CARBON BRUSH	4	55007	55007	55007	55007
19	DUAL BRUSH HOLDER W/LEADS	2	42436W	42436W	42436W	42436W

## Floss Pan and Whirlgrip Stabilizer

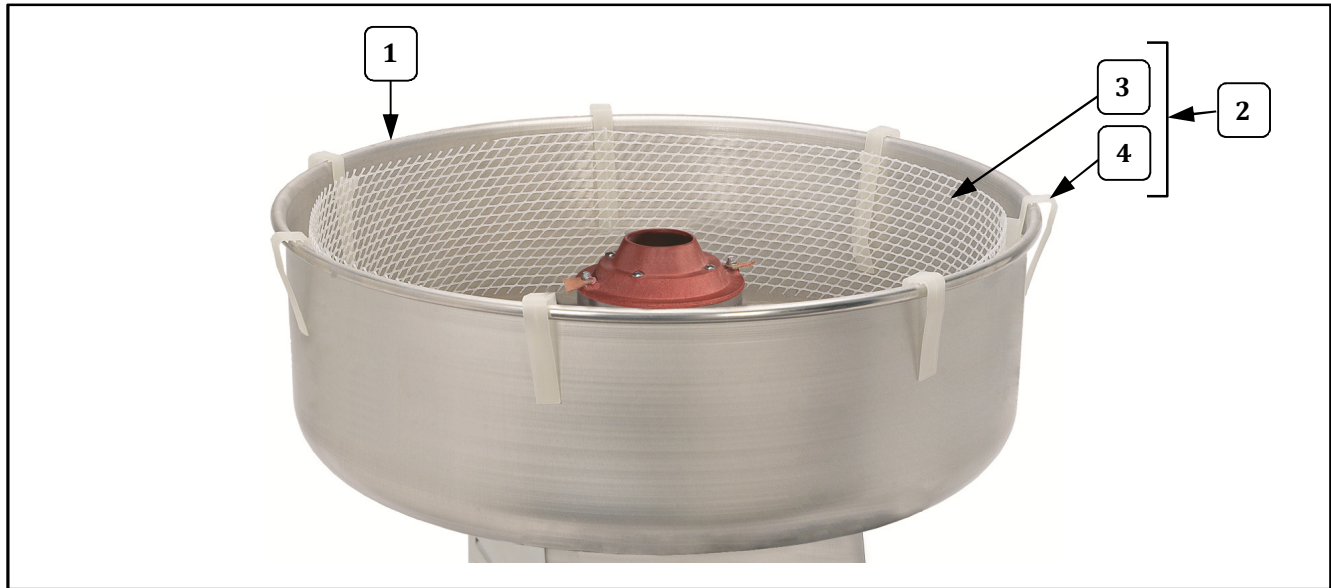


Item	Part Description	Qty.	Part Number			
			3017	3017SR	3017SS	3077 (3077C)
1	FLOSS PAN, ALUMINUM	1	42040	42040	42040	42040
2	WHIRLGRIP STABILIZER (Includes Floss Stabilizer and Clips)	1	3010	3010	3010	3010
3	FLOSS STABILIZER (Web)	1	43032	43032	43032	43032
4	WHIRLGRIP CLIPS	6	77470	77470	77470	77470

## Parts List - Floss Machine Exterior View

Item	Part Description	Qty.	Part Number			
			3017	3017SR	3017SS	3077 (3077C)
1	SPINNER HEAD COMPLETE 5IN	1	42283	42283	42283	42561
2	INSP.COVER,FOUR BRUSH	2	42381	42381	42381	42381
3	8-32 X 1/2 SLOTTED H W H	4	49379	49379	49379	49379
4	BELL HOUSING, DUAL BRUSH	1	42190	42190	42190	42190
5	ACORN NUT 1/4-20	3	49068	49068	49068	49068
6	HANDLE	2	67069	67069	67069	67069
7	BOTTOM PLATE NS	1	42448	42448	42448	42448
8	STRAIN RELIEF #SR-6P3-4	1	76026	76026	76026	76026
9	LEAD-IN CORD 15 AMP PLUG	1	22038	22038	22038	87085 (3077)
	LEAD-IN CORD 20 AMP PLUG	1				47580 (3077C)
10	SWITCH, LIGHTED ROCKER GR	2	42798	42798	42798	42798
11	KNOB, ELECTRONIC HEAT CONTROL	1	42556	42556	42556	42556
12	NAMEPLATE	1	12600	12600	12600	12608
13	RUBBER FEET 3/4IN HIGH	8	47155	47155	47155	47155
14	KNOB SHIPPING BRACKET	2	42150	42150	42150	42150
15	SHIPPING BRACKET ASSY	1	69839	69839	69839	69839
16	BRUSH HOLDER ASSY RED/WHT (Includes Brushes, Caps, Holders)	2	42382W	42382W	42382W	42382W
17	CAP, BRUSH HOLDER	4	42138	42138	42138	42138
18	CARBON BRUSH	4	55007	55007	55007	55007
19	DUAL BRUSH HOLDER W/LEADS	2	42436W	42436W	42436W	42436W

## Floss Pan and Whirlgrip Stabilizer

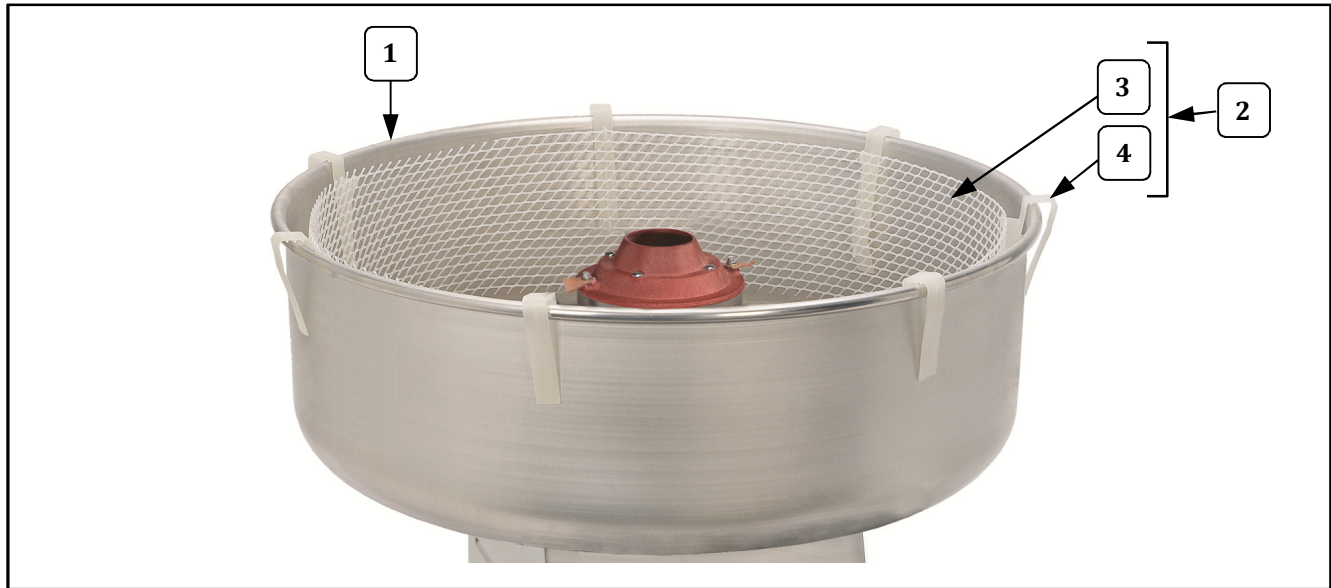


Item	Part Description	Qty.	Part Number			
			3017	3017SR	3017SS	3077 (3077C)
1	FLOSS PAN, ALUMINUM	1	42040	42040	42040	42040
2	WHIRLGRIP STABILIZER (Includes Floss Stabilizer and Clips)	1	3010	3010	3010	3010
3	FLOSS STABILIZER (Web)	1	43032	43032	43032	43032
4	WHIRLGRIP CLIPS	6	77470	77470	77470	77470

## Parts List - Floss Machine Exterior View

Item	Part Description	Qty.	Part Number			
			3017	3017SR	3017SS	3077 (3077C)
1	SPINNER HEAD COMPLETE 5IN	1	42283	42283	42283	42561
2	INSP.COVER,FOUR BRUSH	2	42381	42381	42381	42381
3	8-32 X 1/2 SLOTTED H W H	4	49379	49379	49379	49379
4	BELL HOUSING, DUAL BRUSH	1	42190	42190	42190	42190
5	ACORN NUT 1/4-20	3	49068	49068	49068	49068
6	HANDLE	2	67069	67069	67069	67069
7	BOTTOM PLATE NS	1	42448	42448	42448	42448
8	STRAIN RELIEF #SR-6P3-4	1	76026	76026	76026	76026
9	LEAD-IN CORD 15 AMP PLUG	1	22038	22038	22038	87085 (3077)
	LEAD-IN CORD 20 AMP PLUG	1				47580 (3077C)
10	SWITCH, LIGHTED ROCKER GR	2	42798	42798	42798	42798
11	KNOB, ELECTRONIC HEAT CONTROL	1	42556	42556	42556	42556
12	NAMEPLATE	1	12600	12600	12600	12608
13	RUBBER FEET 3/4IN HIGH	8	47155	47155	47155	47155
14	KNOB SHIPPING BRACKET	2	42150	42150	42150	42150
15	SHIPPING BRACKET ASSY	1	69839	69839	69839	69839
16	BRUSH HOLDER ASSY RED/WHT (Includes Brushes, Caps, Holders)	2	42382W	42382W	42382W	42382W
17	CAP, BRUSH HOLDER	4	42138	42138	42138	42138
18	CARBON BRUSH	4	55007	55007	55007	55007
19	DUAL BRUSH HOLDER W/LEADS	2	42436W	42436W	42436W	42436W

## Floss Pan and Whirlgrip Stabilizer

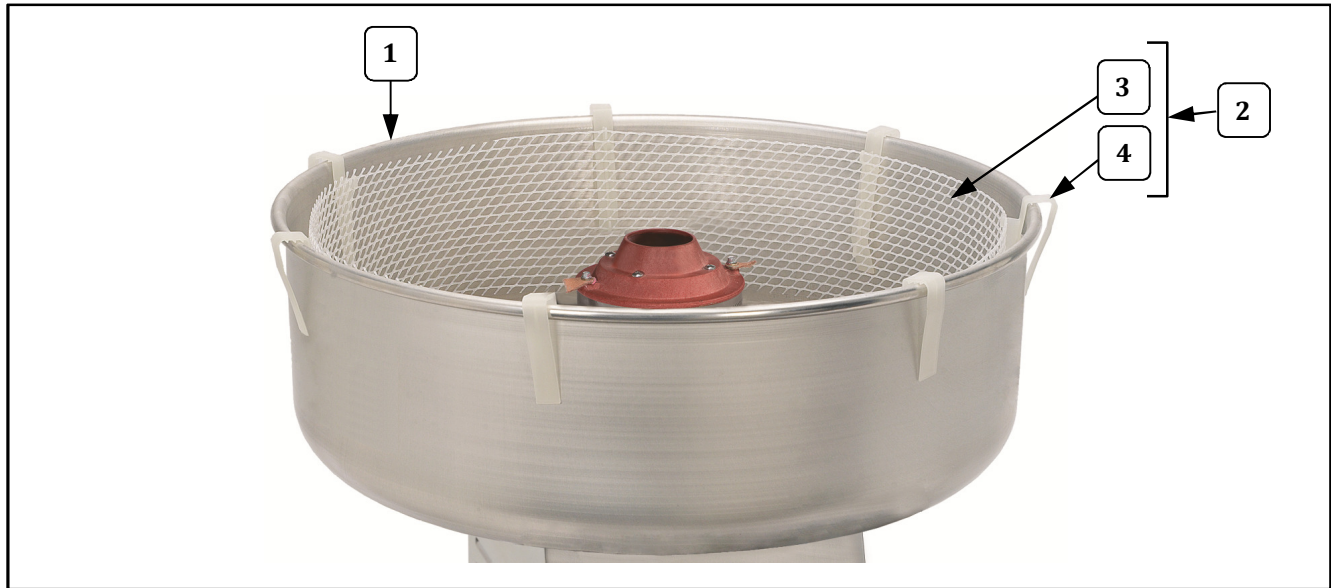


Item	Part Description	Qty.	Part Number			
			3017	3017SR	3017SS	3077 (3077C)
1	FLOSS PAN, ALUMINUM	1	42040	42040	42040	42040
2	WHIRLGRIP STABILIZER (Includes Floss Stabilizer and Clips)	1	3010	3010	3010	3010
3	FLOSS STABILIZER (Web)	1	43032	43032	43032	43032
4	WHIRLGRIP CLIPS	6	77470	77470	77470	77470

## Parts List - Floss Machine Exterior View

Item	Part Description	Qty.	Part Number			
			3017	3017SR	3017SS	3077 (3077C)
1	SPINNER HEAD COMPLETE 5IN	1	42283	42283	42283	42561
2	INSP.COVER,FOUR BRUSH	2	42381	42381	42381	42381
3	8-32 X 1/2 SLOTTED H W H	4	49379	49379	49379	49379
4	BELL HOUSING, DUAL BRUSH	1	42190	42190	42190	42190
5	ACORN NUT 1/4-20	3	49068	49068	49068	49068
6	HANDLE	2	67069	67069	67069	67069
7	BOTTOM PLATE NS	1	42448	42448	42448	42448
8	STRAIN RELIEF #SR-6P3-4	1	76026	76026	76026	76026
9	LEAD-IN CORD 15 AMP PLUG	1	22038	22038	22038	87085 (3077)
	LEAD-IN CORD 20 AMP PLUG	1				47580 (3077C)
10	SWITCH, LIGHTED ROCKER GR	2	42798	42798	42798	42798
11	KNOB, ELECTRONIC HEAT CONTROL	1	42556	42556	42556	42556
12	NAMEPLATE	1	12600	12600	12600	12608
13	RUBBER FEET 3/4IN HIGH	8	47155	47155	47155	47155
14	KNOB SHIPPING BRACKET	2	42150	42150	42150	42150
15	SHIPPING BRACKET ASSY	1	69839	69839	69839	69839
16	BRUSH HOLDER ASSY RED/WHT (Includes Brushes, Caps, Holders)	2	42382W	42382W	42382W	42382W
17	CAP, BRUSH HOLDER	4	42138	42138	42138	42138
18	CARBON BRUSH	4	55007	55007	55007	55007
19	DUAL BRUSH HOLDER W/LEADS	2	42436W	42436W	42436W	42436W

## Floss Pan and Whirlgrip Stabilizer

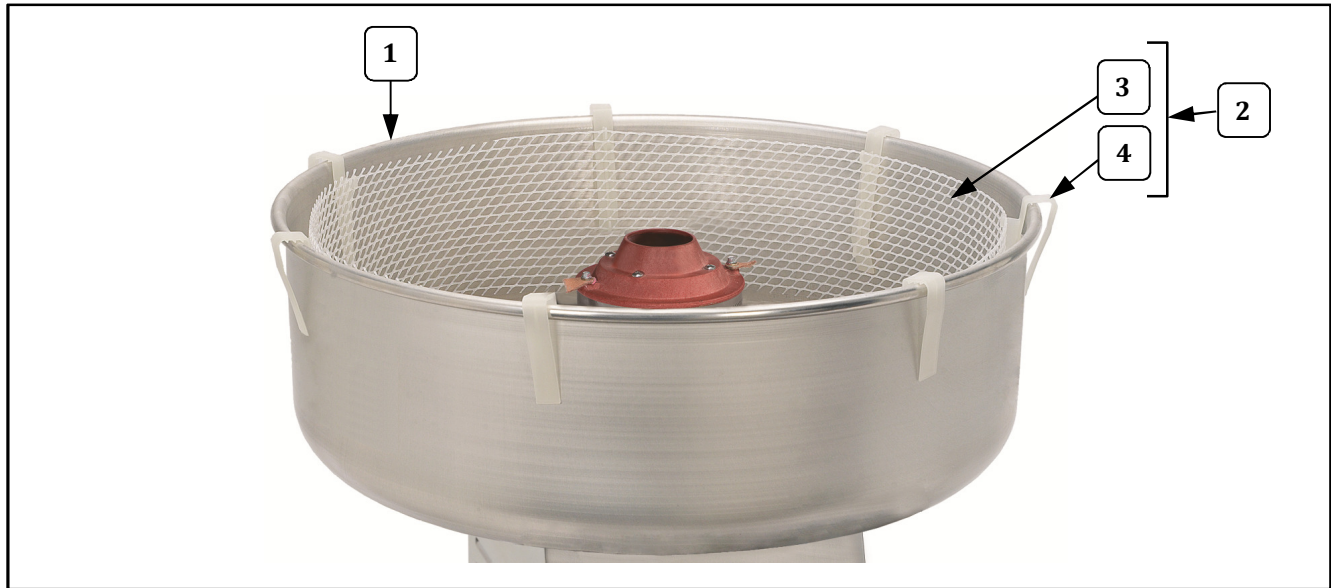


Item	Part Description	Qty.	Part Number			
			3017	3017SR	3017SS	3077 (3077C)
1	FLOSS PAN, ALUMINUM	1	42040	42040	42040	42040
2	WHIRLGRIP STABILIZER (Includes Floss Stabilizer and Clips)	1	3010	3010	3010	3010
3	FLOSS STABILIZER (Web)	1	43032	43032	43032	43032
4	WHIRLGRIP CLIPS	6	77470	77470	77470	77470

## Parts List - Floss Machine Exterior View

Item	Part Description	Qty.	Part Number			
			3017	3017SR	3017SS	3077 (3077C)
1	SPINNER HEAD COMPLETE 5IN	1	42283	42283	42283	42561
2	INSP.COVER,FOUR BRUSH	2	42381	42381	42381	42381
3	8-32 X 1/2 SLOTTED H W H	4	49379	49379	49379	49379
4	BELL HOUSING, DUAL BRUSH	1	42190	42190	42190	42190
5	ACORN NUT 1/4-20	3	49068	49068	49068	49068
6	HANDLE	2	67069	67069	67069	67069
7	BOTTOM PLATE NS	1	42448	42448	42448	42448
8	STRAIN RELIEF #SR-6P3-4	1	76026	76026	76026	76026
9	LEAD-IN CORD 15 AMP PLUG	1	22038	22038	22038	87085 (3077)
	LEAD-IN CORD 20 AMP PLUG	1				47580 (3077C)
10	SWITCH, LIGHTED ROCKER GR	2	42798	42798	42798	42798
11	KNOB, ELECTRONIC HEAT CONTROL	1	42556	42556	42556	42556
12	NAMEPLATE	1	12600	12600	12600	12608
13	RUBBER FEET 3/4IN HIGH	8	47155	47155	47155	47155
14	KNOB SHIPPING BRACKET	2	42150	42150	42150	42150
15	SHIPPING BRACKET ASSY	1	69839	69839	69839	69839
16	BRUSH HOLDER ASSY RED/WHT (Includes Brushes, Caps, Holders)	2	42382W	42382W	42382W	42382W
17	CAP, BRUSH HOLDER	4	42138	42138	42138	42138
18	CARBON BRUSH	4	55007	55007	55007	55007
19	DUAL BRUSH HOLDER W/LEADS	2	42436W	42436W	42436W	42436W

## Floss Pan and Whirlgrip Stabilizer

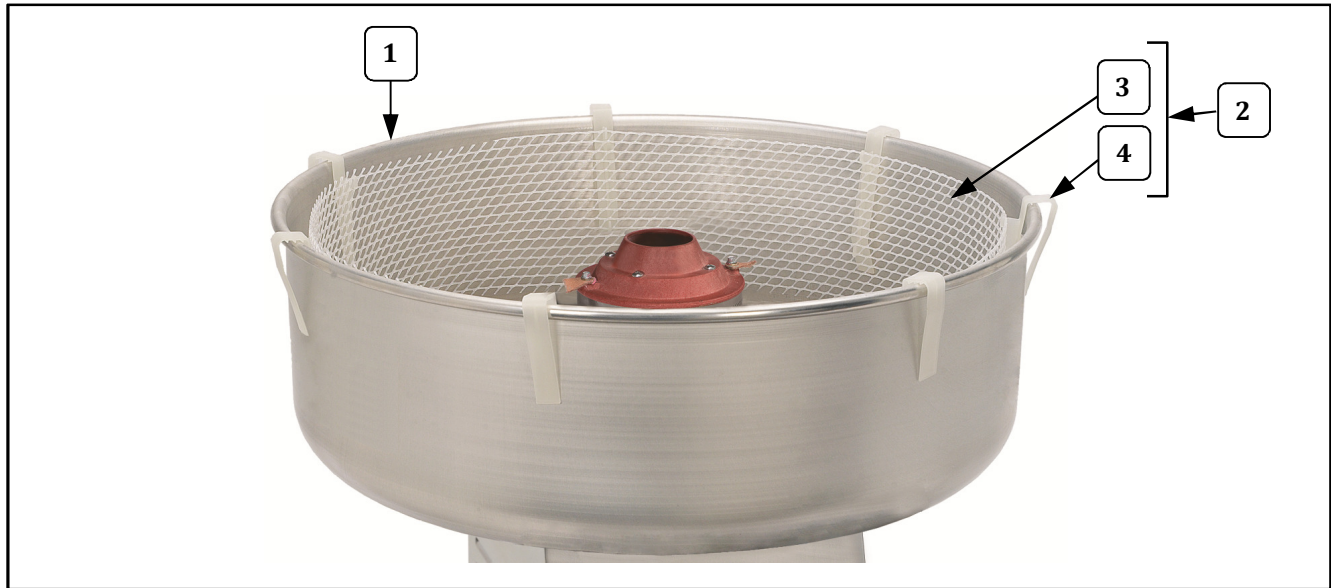


Item	Part Description	Qty.	Part Number			
			3017	3017SR	3017SS	3077 (3077C)
1	FLOSS PAN, ALUMINUM	1	42040	42040	42040	42040
2	WHIRLGRIP STABILIZER (Includes Floss Stabilizer and Clips)	1	3010	3010	3010	3010
3	FLOSS STABILIZER (Web)	1	43032	43032	43032	43032
4	WHIRLGRIP CLIPS	6	77470	77470	77470	77470

## Parts List - Floss Machine Exterior View

Item	Part Description	Qty.	Part Number			
			3017	3017SR	3017SS	3077 (3077C)
1	SPINNER HEAD COMPLETE 5IN	1	42283	42283	42283	42561
2	INSP.COVER,FOUR BRUSH	2	42381	42381	42381	42381
3	8-32 X 1/2 SLOTTED H W H	4	49379	49379	49379	49379
4	BELL HOUSING, DUAL BRUSH	1	42190	42190	42190	42190
5	ACORN NUT 1/4-20	3	49068	49068	49068	49068
6	HANDLE	2	67069	67069	67069	67069
7	BOTTOM PLATE NS	1	42448	42448	42448	42448
8	STRAIN RELIEF #SR-6P3-4	1	76026	76026	76026	76026
9	LEAD-IN CORD 15 AMP PLUG	1	22038	22038	22038	87085 (3077)
	LEAD-IN CORD 20 AMP PLUG	1				47580 (3077C)
10	SWITCH, LIGHTED ROCKER GR	2	42798	42798	42798	42798
11	KNOB, ELECTRONIC HEAT CONTROL	1	42556	42556	42556	42556
12	NAMEPLATE	1	12600	12600	12600	12608
13	RUBBER FEET 3/4IN HIGH	8	47155	47155	47155	47155
14	KNOB SHIPPING BRACKET	2	42150	42150	42150	42150
15	SHIPPING BRACKET ASSY	1	69839	69839	69839	69839
16	BRUSH HOLDER ASSY RED/WHT (Includes Brushes, Caps, Holders)	2	42382W	42382W	42382W	42382W
17	CAP, BRUSH HOLDER	4	42138	42138	42138	42138
18	CARBON BRUSH	4	55007	55007	55007	55007
19	DUAL BRUSH HOLDER W/LEADS	2	42436W	42436W	42436W	42436W

## Floss Pan and Whirlgrip Stabilizer

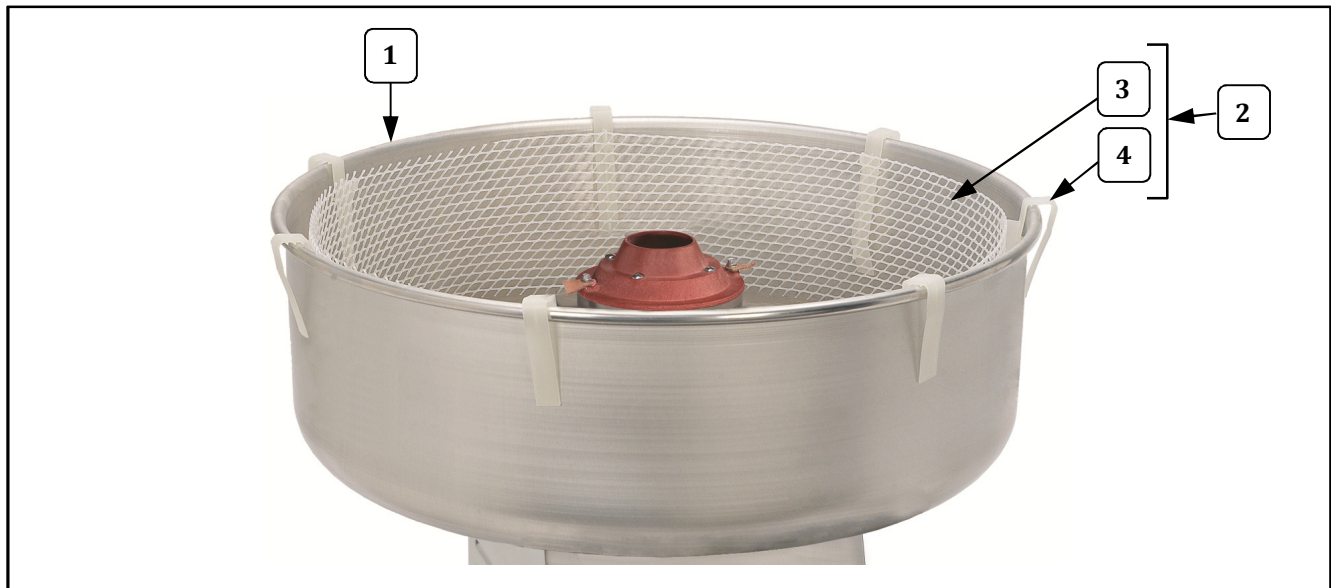


Item	Part Description	Qty.	Part Number			
			3017	3017SR	3017SS	3077 (3077C)
1	FLOSS PAN, ALUMINUM	1	42040	42040	42040	42040
2	WHIRLGRIP STABILIZER (Includes Floss Stabilizer and Clips)	1	3010	3010	3010	3010
3	FLOSS STABILIZER (Web)	1	43032	43032	43032	43032
4	WHIRLGRIP CLIPS	6	77470	77470	77470	77470

## Parts List - Floss Machine Exterior View

Item	Part Description	Qty.	Part Number			
			3017	3017SR	3017SS	3077 (3077C)
1	SPINNER HEAD COMPLETE 5IN	1	42283	42283	42283	42561
2	INSP.COVER,FOUR BRUSH	2	42381	42381	42381	42381
3	8-32 X 1/2 SLOTTED H W H	4	49379	49379	49379	49379
4	BELL HOUSING, DUAL BRUSH	1	42190	42190	42190	42190
5	ACORN NUT 1/4-20	3	49068	49068	49068	49068
6	HANDLE	2	67069	67069	67069	67069
7	BOTTOM PLATE NS	1	42448	42448	42448	42448
8	STRAIN RELIEF #SR-6P3-4	1	76026	76026	76026	76026
9	LEAD-IN CORD 15 AMP PLUG	1	22038	22038	22038	87085 (3077)
	LEAD-IN CORD 20 AMP PLUG	1				47580 (3077C)
10	SWITCH, LIGHTED ROCKER GR	2	42798	42798	42798	42798
11	KNOB, ELECTRONIC HEAT CONTROL	1	42556	42556	42556	42556
12	NAMEPLATE	1	12600	12600	12600	12608
13	RUBBER FEET 3/4IN HIGH	8	47155	47155	47155	47155
14	KNOB SHIPPING BRACKET	2	42150	42150	42150	42150
15	SHIPPING BRACKET ASSY	1	69839	69839	69839	69839
16	BRUSH HOLDER ASSY RED/WHT (Includes Brushes, Caps, Holders)	2	42382W	42382W	42382W	42382W
17	CAP, BRUSH HOLDER	4	42138	42138	42138	42138
18	CARBON BRUSH	4	55007	55007	55007	55007
19	DUAL BRUSH HOLDER W/LEADS	2	42436W	42436W	42436W	42436W

## Floss Pan and Whirlgrip Stabilizer

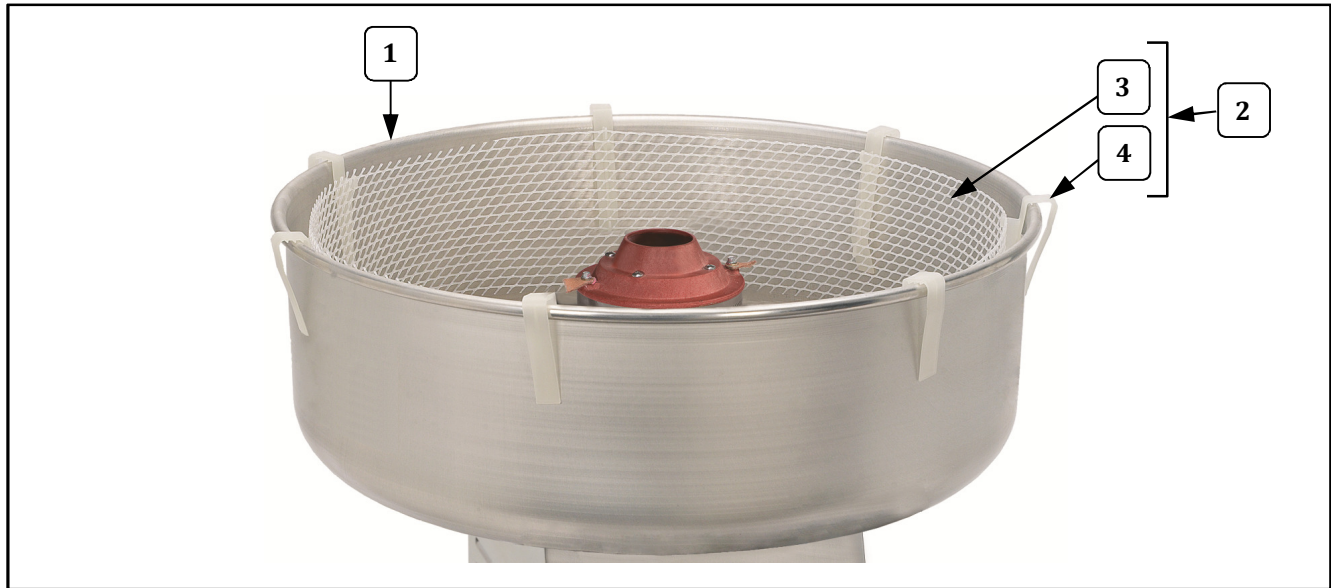


Item	Part Description	Qty.	Part Number			
			3017	3017SR	3017SS	3077 (3077C)
1	FLOSS PAN, ALUMINUM	1	42040	42040	42040	42040
2	WHIRLGRIP STABILIZER (Includes Floss Stabilizer and Clips)	1	3010	3010	3010	3010
3	FLOSS STABILIZER (Web)	1	43032	43032	43032	43032
4	WHIRLGRIP CLIPS	6	77470	77470	77470	77470

## Parts List - Floss Machine Exterior View

Item	Part Description	Qty.	Part Number			
			3017	3017SR	3017SS	3077 (3077C)
1	SPINNER HEAD COMPLETE 5IN	1	42283	42283	42283	42561
2	INSP.COVER,FOUR BRUSH	2	42381	42381	42381	42381
3	8-32 X 1/2 SLOTTED H W H	4	49379	49379	49379	49379
4	BELL HOUSING, DUAL BRUSH	1	42190	42190	42190	42190
5	ACORN NUT 1/4-20	3	49068	49068	49068	49068
6	HANDLE	2	67069	67069	67069	67069
7	BOTTOM PLATE NS	1	42448	42448	42448	42448
8	STRAIN RELIEF #SR-6P3-4	1	76026	76026	76026	76026
9	LEAD-IN CORD 15 AMP PLUG	1	22038	22038	22038	87085 (3077)
	LEAD-IN CORD 20 AMP PLUG	1				47580 (3077C)
10	SWITCH, LIGHTED ROCKER GR	2	42798	42798	42798	42798
11	KNOB, ELECTRONIC HEAT CONTROL	1	42556	42556	42556	42556
12	NAMEPLATE	1	12600	12600	12600	12608
13	RUBBER FEET 3/4IN HIGH	8	47155	47155	47155	47155
14	KNOB SHIPPING BRACKET	2	42150	42150	42150	42150
15	SHIPPING BRACKET ASSY	1	69839	69839	69839	69839
16	BRUSH HOLDER ASSY RED/WHT (Includes Brushes, Caps, Holders)	2	42382W	42382W	42382W	42382W
17	CAP, BRUSH HOLDER	4	42138	42138	42138	42138
18	CARBON BRUSH	4	55007	55007	55007	55007
19	DUAL BRUSH HOLDER W/LEADS	2	42436W	42436W	42436W	42436W

## Floss Pan and Whirlgrip Stabilizer

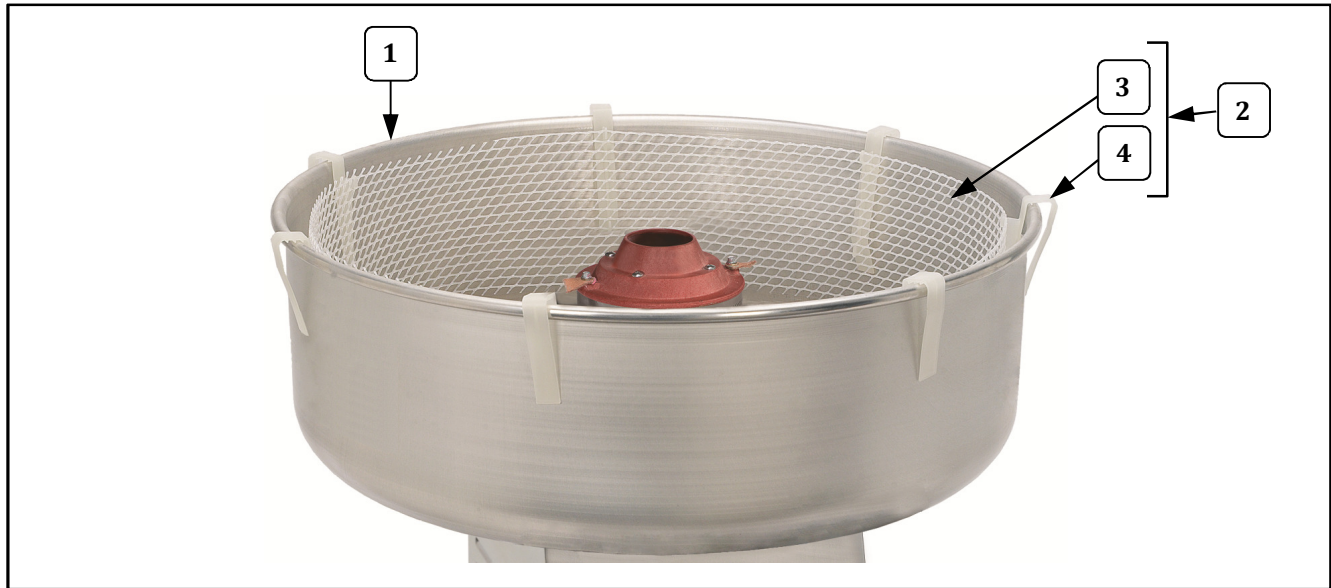


Item	Part Description	Qty.	Part Number			
			3017	3017SR	3017SS	3077 (3077C)
1	FLOSS PAN, ALUMINUM	1	42040	42040	42040	42040
2	WHIRLGRIP STABILIZER (Includes Floss Stabilizer and Clips)	1	3010	3010	3010	3010
3	FLOSS STABILIZER (Web)	1	43032	43032	43032	43032
4	WHIRLGRIP CLIPS	6	77470	77470	77470	77470

## Parts List - Floss Machine Exterior View

Item	Part Description	Qty.	Part Number			
			3017	3017SR	3017SS	3077 (3077C)
1	SPINNER HEAD COMPLETE 5IN	1	42283	42283	42283	42561
2	INSP.COVER,FOUR BRUSH	2	42381	42381	42381	42381
3	8-32 X 1/2 SLOTTED H W H	4	49379	49379	49379	49379
4	BELL HOUSING, DUAL BRUSH	1	42190	42190	42190	42190
5	ACORN NUT 1/4-20	3	49068	49068	49068	49068
6	HANDLE	2	67069	67069	67069	67069
7	BOTTOM PLATE NS	1	42448	42448	42448	42448
8	STRAIN RELIEF #SR-6P3-4	1	76026	76026	76026	76026
9	LEAD-IN CORD 15 AMP PLUG	1	22038	22038	22038	87085 (3077)
	LEAD-IN CORD 20 AMP PLUG	1				47580 (3077C)
10	SWITCH, LIGHTED ROCKER GR	2	42798	42798	42798	42798
11	KNOB, ELECTRONIC HEAT CONTROL	1	42556	42556	42556	42556
12	NAMEPLATE	1	12600	12600	12600	12608
13	RUBBER FEET 3/4IN HIGH	8	47155	47155	47155	47155
14	KNOB SHIPPING BRACKET	2	42150	42150	42150	42150
15	SHIPPING BRACKET ASSY	1	69839	69839	69839	69839
16	BRUSH HOLDER ASSY RED/WHT (Includes Brushes, Caps, Holders)	2	42382W	42382W	42382W	42382W
17	CAP, BRUSH HOLDER	4	42138	42138	42138	42138
18	CARBON BRUSH	4	55007	55007	55007	55007
19	DUAL BRUSH HOLDER W/LEADS	2	42436W	42436W	42436W	42436W

## Floss Pan and Whirlgrip Stabilizer

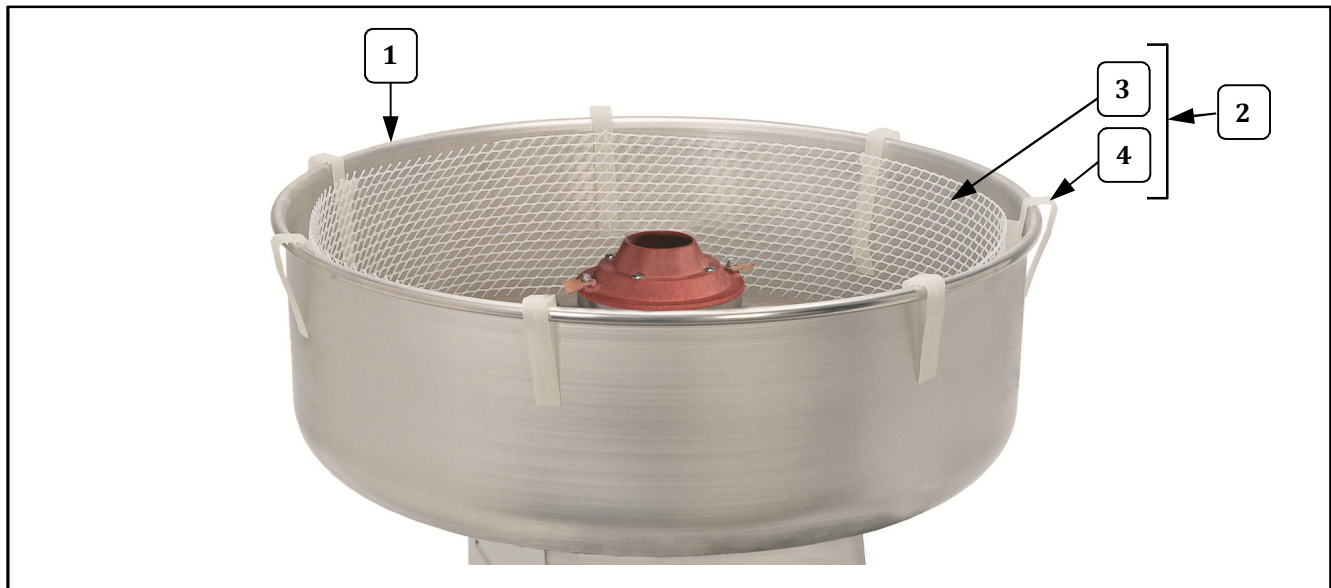


Item	Part Description	Qty.	Part Number			
			3017	3017SR	3017SS	3077 (3077C)
1	FLOSS PAN, ALUMINUM	1	42040	42040	42040	42040
2	WHIRLGRIP STABILIZER (Includes Floss Stabilizer and Clips)	1	3010	3010	3010	3010
3	FLOSS STABILIZER (Web)	1	43032	43032	43032	43032
4	WHIRLGRIP CLIPS	6	77470	77470	77470	77470

## Parts List - Floss Machine Exterior View

Item	Part Description	Qty.	Part Number			
			3017	3017SR	3017SS	3077 (3077C)
1	SPINNER HEAD COMPLETE 5IN	1	42283	42283	42283	42561
2	INSP.COVER,FOUR BRUSH	2	42381	42381	42381	42381
3	8-32 X 1/2 SLOTTED H W H	4	49379	49379	49379	49379
4	BELL HOUSING, DUAL BRUSH	1	42190	42190	42190	42190
5	ACORN NUT 1/4-20	3	49068	49068	49068	49068
6	HANDLE	2	67069	67069	67069	67069
7	BOTTOM PLATE NS	1	42448	42448	42448	42448
8	STRAIN RELIEF #SR-6P3-4	1	76026	76026	76026	76026
9	LEAD-IN CORD 15 AMP PLUG	1	22038	22038	22038	87085 (3077)
	LEAD-IN CORD 20 AMP PLUG	1				47580 (3077C)
10	SWITCH, LIGHTED ROCKER GR	2	42798	42798	42798	42798
11	KNOB, ELECTRONIC HEAT CONTROL	1	42556	42556	42556	42556
12	NAMEPLATE	1	12600	12600	12600	12608
13	RUBBER FEET 3/4IN HIGH	8	47155	47155	47155	47155
14	KNOB SHIPPING BRACKET	2	42150	42150	42150	42150
15	SHIPPING BRACKET ASSY	1	69839	69839	69839	69839
16	BRUSH HOLDER ASSY RED/WHT (Includes Brushes, Caps, Holders)	2	42382W	42382W	42382W	42382W
17	CAP, BRUSH HOLDER	4	42138	42138	42138	42138
18	CARBON BRUSH	4	55007	55007	55007	55007
19	DUAL BRUSH HOLDER W/LEADS	2	42436W	42436W	42436W	42436W

## Floss Pan and Whirlgrip Stabilizer

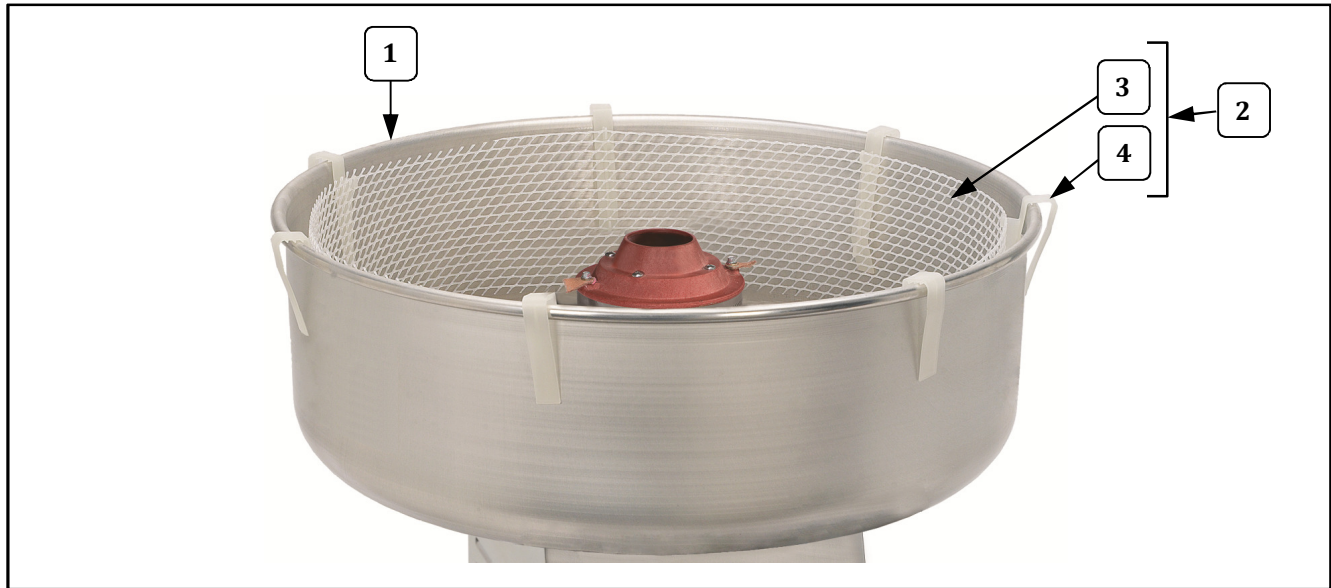


Item	Part Description	Qty.	Part Number			
			3017	3017SR	3017SS	3077 (3077C)
1	FLOSS PAN, ALUMINUM	1	42040	42040	42040	42040
2	WHIRLGRIP STABILIZER (Includes Floss Stabilizer and Clips)	1	3010	3010	3010	3010
3	FLOSS STABILIZER (Web)	1	43032	43032	43032	43032
4	WHIRLGRIP CLIPS	6	77470	77470	77470	77470

## Parts List - Floss Machine Exterior View

Item	Part Description	Qty.	Part Number			
			3017	3017SR	3017SS	3077 (3077C)
1	SPINNER HEAD COMPLETE 5IN	1	42283	42283	42283	42561
2	INSP.COVER,FOUR BRUSH	2	42381	42381	42381	42381
3	8-32 X 1/2 SLOTTED H W H	4	49379	49379	49379	49379
4	BELL HOUSING, DUAL BRUSH	1	42190	42190	42190	42190
5	ACORN NUT 1/4-20	3	49068	49068	49068	49068
6	HANDLE	2	67069	67069	67069	67069
7	BOTTOM PLATE NS	1	42448	42448	42448	42448
8	STRAIN RELIEF #SR-6P3-4	1	76026	76026	76026	76026
9	LEAD-IN CORD 15 AMP PLUG	1	22038	22038	22038	87085 (3077)
	LEAD-IN CORD 20 AMP PLUG	1				47580 (3077C)
10	SWITCH, LIGHTED ROCKER GR	2	42798	42798	42798	42798
11	KNOB, ELECTRONIC HEAT CONTROL	1	42556	42556	42556	42556
12	NAMEPLATE	1	12600	12600	12600	12608
13	RUBBER FEET 3/4IN HIGH	8	47155	47155	47155	47155
14	KNOB SHIPPING BRACKET	2	42150	42150	42150	42150
15	SHIPPING BRACKET ASSY	1	69839	69839	69839	69839
16	BRUSH HOLDER ASSY RED/WHT (Includes Brushes, Caps, Holders)	2	42382W	42382W	42382W	42382W
17	CAP, BRUSH HOLDER	4	42138	42138	42138	42138
18	CARBON BRUSH	4	55007	55007	55007	55007
19	DUAL BRUSH HOLDER W/LEADS	2	42436W	42436W	42436W	42436W

## Floss Pan and Whirlgrip Stabilizer

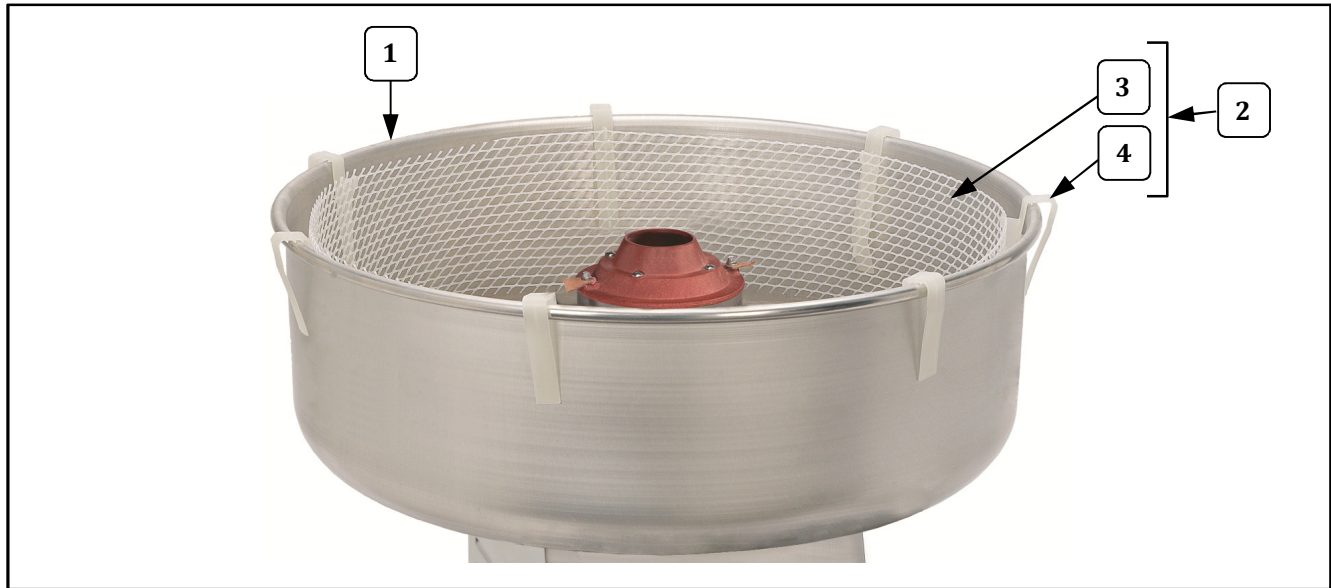


Item	Part Description	Qty.	Part Number			
			3017	3017SR	3017SS	3077 (3077C)
1	FLOSS PAN, ALUMINUM	1	42040	42040	42040	42040
2	WHIRLGRIP STABILIZER (Includes Floss Stabilizer and Clips)	1	3010	3010	3010	3010
3	FLOSS STABILIZER (Web)	1	43032	43032	43032	43032
4	WHIRLGRIP CLIPS	6	77470	77470	77470	77470

## Parts List - Floss Machine Exterior View

Item	Part Description	Qty.	Part Number			
			3017	3017SR	3017SS	3077 (3077C)
1	SPINNER HEAD COMPLETE 5IN	1	42283	42283	42283	42561
2	INSP.COVER,FOUR BRUSH	2	42381	42381	42381	42381
3	8-32 X 1/2 SLOTTED H W H	4	49379	49379	49379	49379
4	BELL HOUSING, DUAL BRUSH	1	42190	42190	42190	42190
5	ACORN NUT 1/4-20	3	49068	49068	49068	49068
6	HANDLE	2	67069	67069	67069	67069
7	BOTTOM PLATE NS	1	42448	42448	42448	42448
8	STRAIN RELIEF #SR-6P3-4	1	76026	76026	76026	76026
9	LEAD-IN CORD 15 AMP PLUG	1	22038	22038	22038	87085 (3077)
	LEAD-IN CORD 20 AMP PLUG	1				47580 (3077C)
10	SWITCH, LIGHTED ROCKER GR	2	42798	42798	42798	42798
11	KNOB, ELECTRONIC HEAT CONTROL	1	42556	42556	42556	42556
12	NAMEPLATE	1	12600	12600	12600	12608
13	RUBBER FEET 3/4IN HIGH	8	47155	47155	47155	47155
14	KNOB SHIPPING BRACKET	2	42150	42150	42150	42150
15	SHIPPING BRACKET ASSY	1	69839	69839	69839	69839
16	BRUSH HOLDER ASSY RED/WHT (Includes Brushes, Caps, Holders)	2	42382W	42382W	42382W	42382W
17	CAP, BRUSH HOLDER	4	42138	42138	42138	42138
18	CARBON BRUSH	4	55007	55007	55007	55007
19	DUAL BRUSH HOLDER W/LEADS	2	42436W	42436W	42436W	42436W

## Floss Pan and Whirlgrip Stabilizer

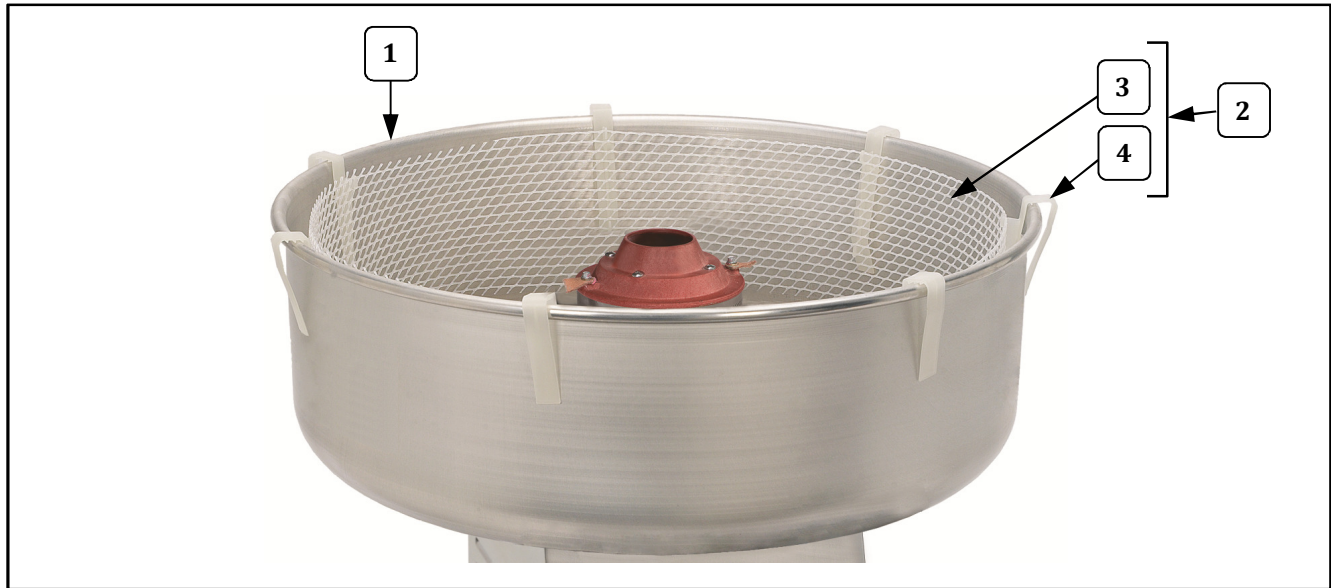


Item	Part Description	Qty.	Part Number			
			3017	3017SR	3017SS	3077 (3077C)
1	FLOSS PAN, ALUMINUM	1	42040	42040	42040	42040
2	WHIRLGRIP STABILIZER (Includes Floss Stabilizer and Clips)	1	3010	3010	3010	3010
3	FLOSS STABILIZER (Web)	1	43032	43032	43032	43032
4	WHIRLGRIP CLIPS	6	77470	77470	77470	77470

## Parts List - Floss Machine Exterior View

Item	Part Description	Qty.	Part Number			
			3017	3017SR	3017SS	3077 (3077C)
1	SPINNER HEAD COMPLETE 5IN	1	42283	42283	42283	42561
2	INSP.COVER,FOUR BRUSH	2	42381	42381	42381	42381
3	8-32 X 1/2 SLOTTED H W H	4	49379	49379	49379	49379
4	BELL HOUSING, DUAL BRUSH	1	42190	42190	42190	42190
5	ACORN NUT 1/4-20	3	49068	49068	49068	49068
6	HANDLE	2	67069	67069	67069	67069
7	BOTTOM PLATE NS	1	42448	42448	42448	42448
8	STRAIN RELIEF #SR-6P3-4	1	76026	76026	76026	76026
9	LEAD-IN CORD 15 AMP PLUG	1	22038	22038	22038	87085 (3077)
	LEAD-IN CORD 20 AMP PLUG	1				47580 (3077C)
10	SWITCH, LIGHTED ROCKER GR	2	42798	42798	42798	42798
11	KNOB, ELECTRONIC HEAT CONTROL	1	42556	42556	42556	42556
12	NAMEPLATE	1	12600	12600	12600	12608
13	RUBBER FEET 3/4IN HIGH	8	47155	47155	47155	47155
14	KNOB SHIPPING BRACKET	2	42150	42150	42150	42150
15	SHIPPING BRACKET ASSY	1	69839	69839	69839	69839
16	BRUSH HOLDER ASSY RED/WHT (Includes Brushes, Caps, Holders)	2	42382W	42382W	42382W	42382W
17	CAP, BRUSH HOLDER	4	42138	42138	42138	42138
18	CARBON BRUSH	4	55007	55007	55007	55007
19	DUAL BRUSH HOLDER W/LEADS	2	42436W	42436W	42436W	42436W

## Floss Pan and Whirlgrip Stabilizer

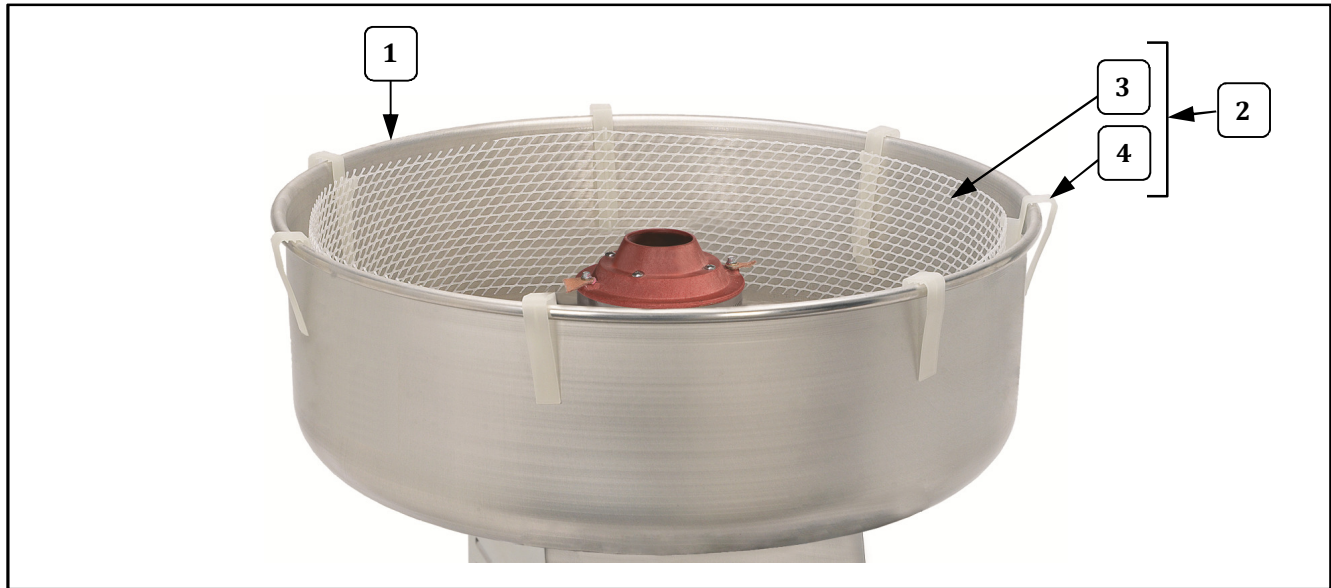


Item	Part Description	Qty.	Part Number			
			3017	3017SR	3017SS	3077 (3077C)
1	FLOSS PAN, ALUMINUM	1	42040	42040	42040	42040
2	WHIRLGRIP STABILIZER (Includes Floss Stabilizer and Clips)	1	3010	3010	3010	3010
3	FLOSS STABILIZER (Web)	1	43032	43032	43032	43032
4	WHIRLGRIP CLIPS	6	77470	77470	77470	77470

## Parts List - Floss Machine Exterior View

Item	Part Description	Qty.	Part Number			
			3017	3017SR	3017SS	3077 (3077C)
1	SPINNER HEAD COMPLETE 5IN	1	42283	42283	42283	42561
2	INSP.COVER,FOUR BRUSH	2	42381	42381	42381	42381
3	8-32 X 1/2 SLOTTED H W H	4	49379	49379	49379	49379
4	BELL HOUSING, DUAL BRUSH	1	42190	42190	42190	42190
5	ACORN NUT 1/4-20	3	49068	49068	49068	49068
6	HANDLE	2	67069	67069	67069	67069
7	BOTTOM PLATE NS	1	42448	42448	42448	42448
8	STRAIN RELIEF #SR-6P3-4	1	76026	76026	76026	76026
9	LEAD-IN CORD 15 AMP PLUG	1	22038	22038	22038	87085 (3077)
	LEAD-IN CORD 20 AMP PLUG	1				47580 (3077C)
10	SWITCH, LIGHTED ROCKER GR	2	42798	42798	42798	42798
11	KNOB, ELECTRONIC HEAT CONTROL	1	42556	42556	42556	42556
12	NAMEPLATE	1	12600	12600	12600	12608
13	RUBBER FEET 3/4IN HIGH	8	47155	47155	47155	47155
14	KNOB SHIPPING BRACKET	2	42150	42150	42150	42150
15	SHIPPING BRACKET ASSY	1	69839	69839	69839	69839
16	BRUSH HOLDER ASSY RED/WHT (Includes Brushes, Caps, Holders)	2	42382W	42382W	42382W	42382W
17	CAP, BRUSH HOLDER	4	42138	42138	42138	42138
18	CARBON BRUSH	4	55007	55007	55007	55007
19	DUAL BRUSH HOLDER W/LEADS	2	42436W	42436W	42436W	42436W

## Floss Pan and Whirlgrip Stabilizer

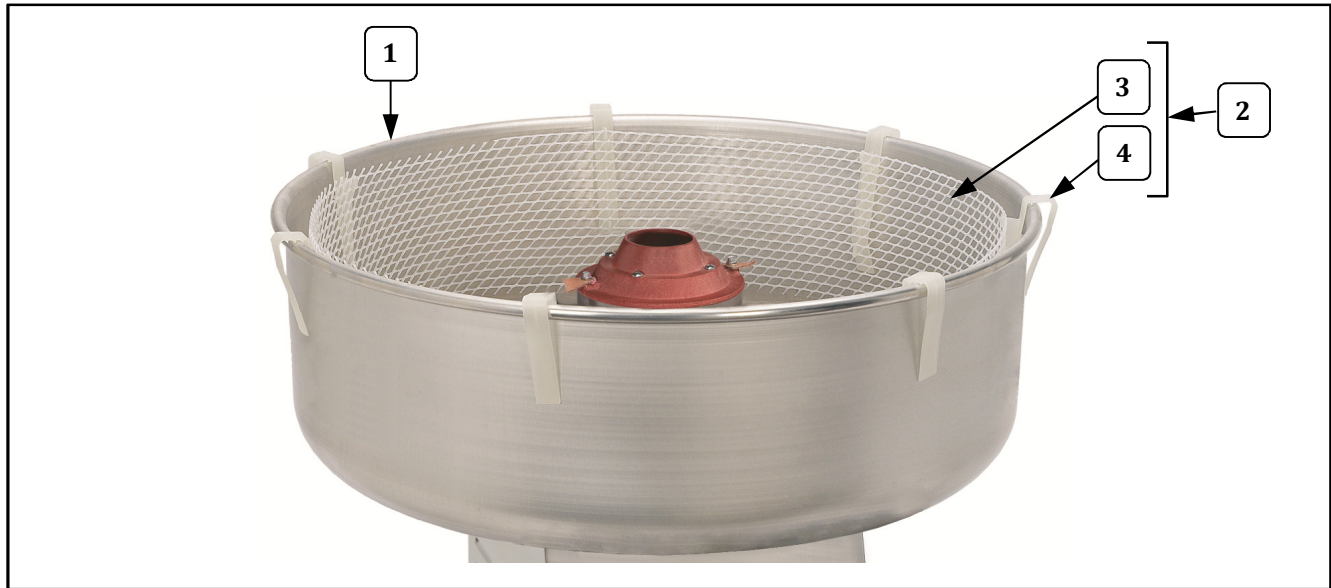


Item	Part Description	Qty.	Part Number			
			3017	3017SR	3017SS	3077 (3077C)
1	FLOSS PAN, ALUMINUM	1	42040	42040	42040	42040
2	WHIRLGRIP STABILIZER (Includes Floss Stabilizer and Clips)	1	3010	3010	3010	3010
3	FLOSS STABILIZER (Web)	1	43032	43032	43032	43032
4	WHIRLGRIP CLIPS	6	77470	77470	77470	77470

## Parts List - Floss Machine Exterior View

Item	Part Description	Qty.	Part Number			
			3017	3017SR	3017SS	3077 (3077C)
1	SPINNER HEAD COMPLETE 5IN	1	42283	42283	42283	42561
2	INSP.COVER,FOUR BRUSH	2	42381	42381	42381	42381
3	8-32 X 1/2 SLOTTED H W H	4	49379	49379	49379	49379
4	BELL HOUSING, DUAL BRUSH	1	42190	42190	42190	42190
5	ACORN NUT 1/4-20	3	49068	49068	49068	49068
6	HANDLE	2	67069	67069	67069	67069
7	BOTTOM PLATE NS	1	42448	42448	42448	42448
8	STRAIN RELIEF #SR-6P3-4	1	76026	76026	76026	76026
9	LEAD-IN CORD 15 AMP PLUG	1	22038	22038	22038	87085 (3077)
	LEAD-IN CORD 20 AMP PLUG	1				47580 (3077C)
10	SWITCH, LIGHTED ROCKER GR	2	42798	42798	42798	42798
11	KNOB, ELECTRONIC HEAT CONTROL	1	42556	42556	42556	42556
12	NAMEPLATE	1	12600	12600	12600	12608
13	RUBBER FEET 3/4IN HIGH	8	47155	47155	47155	47155
14	KNOB SHIPPING BRACKET	2	42150	42150	42150	42150
15	SHIPPING BRACKET ASSY	1	69839	69839	69839	69839
16	BRUSH HOLDER ASSY RED/WHT (Includes Brushes, Caps, Holders)	2	42382W	42382W	42382W	42382W
17	CAP, BRUSH HOLDER	4	42138	42138	42138	42138
18	CARBON BRUSH	4	55007	55007	55007	55007
19	DUAL BRUSH HOLDER W/LEADS	2	42436W	42436W	42436W	42436W

## Floss Pan and Whirlgrip Stabilizer

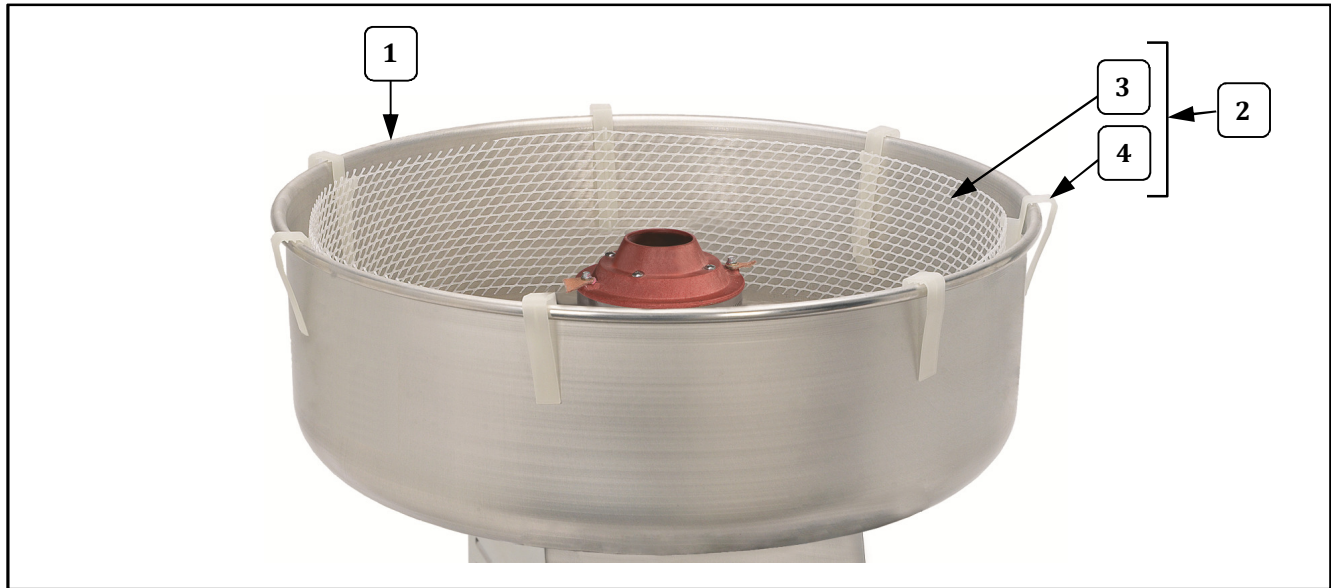


Item	Part Description	Qty.	Part Number			
			3017	3017SR	3017SS	3077 (3077C)
1	FLOSS PAN, ALUMINUM	1	42040	42040	42040	42040
2	WHIRLGRIP STABILIZER (Includes Floss Stabilizer and Clips)	1	3010	3010	3010	3010
3	FLOSS STABILIZER (Web)	1	43032	43032	43032	43032
4	WHIRLGRIP CLIPS	6	77470	77470	77470	77470

## Parts List - Floss Machine Exterior View

Item	Part Description	Qty.	Part Number			
			3017	3017SR	3017SS	3077 (3077C)
1	SPINNER HEAD COMPLETE 5IN	1	42283	42283	42283	42561
2	INSP.COVER,FOUR BRUSH	2	42381	42381	42381	42381
3	8-32 X 1/2 SLOTTED H W H	4	49379	49379	49379	49379
4	BELL HOUSING, DUAL BRUSH	1	42190	42190	42190	42190
5	ACORN NUT 1/4-20	3	49068	49068	49068	49068
6	HANDLE	2	67069	67069	67069	67069
7	BOTTOM PLATE NS	1	42448	42448	42448	42448
8	STRAIN RELIEF #SR-6P3-4	1	76026	76026	76026	76026
9	LEAD-IN CORD 15 AMP PLUG	1	22038	22038	22038	87085 (3077)
	LEAD-IN CORD 20 AMP PLUG	1				47580 (3077C)
10	SWITCH, LIGHTED ROCKER GR	2	42798	42798	42798	42798
11	KNOB, ELECTRONIC HEAT CONTROL	1	42556	42556	42556	42556
12	NAMEPLATE	1	12600	12600	12600	12608
13	RUBBER FEET 3/4IN HIGH	8	47155	47155	47155	47155
14	KNOB SHIPPING BRACKET	2	42150	42150	42150	42150
15	SHIPPING BRACKET ASSY	1	69839	69839	69839	69839
16	BRUSH HOLDER ASSY RED/WHT (Includes Brushes, Caps, Holders)	2	42382W	42382W	42382W	42382W
17	CAP, BRUSH HOLDER	4	42138	42138	42138	42138
18	CARBON BRUSH	4	55007	55007	55007	55007
19	DUAL BRUSH HOLDER W/LEADS	2	42436W	42436W	42436W	42436W

## Floss Pan and Whirlgrip Stabilizer

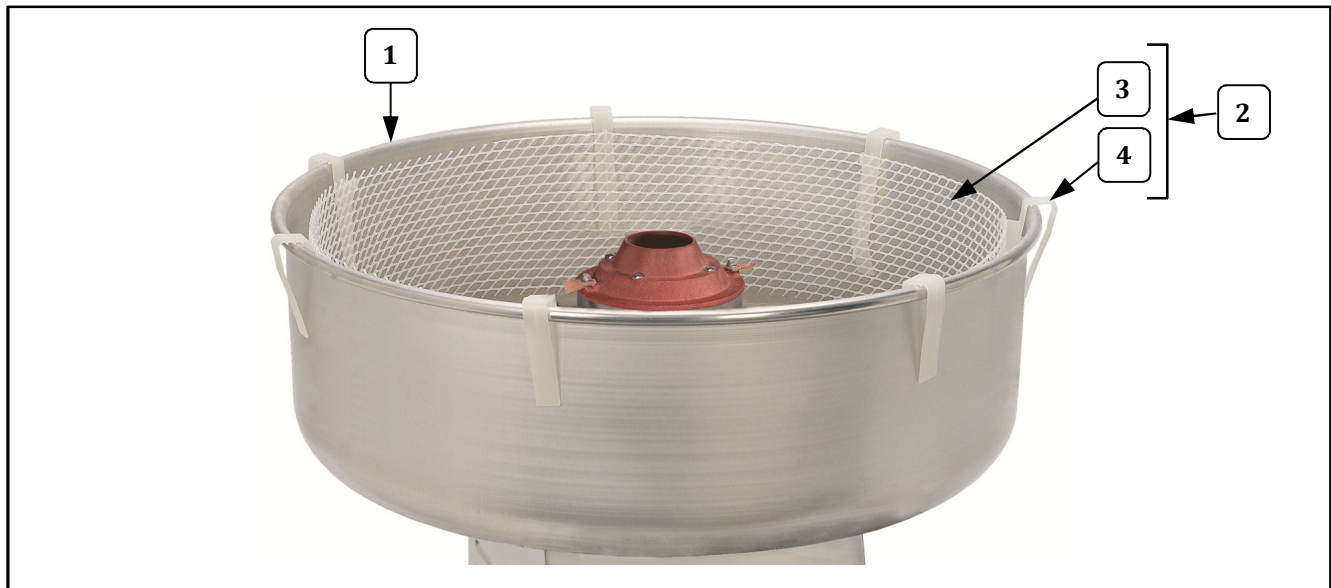


Item	Part Description	Qty.	Part Number			
			3017	3017SR	3017SS	3077 (3077C)
1	FLOSS PAN, ALUMINUM	1	42040	42040	42040	42040
2	WHIRLGRIP STABILIZER (Includes Floss Stabilizer and Clips)	1	3010	3010	3010	3010
3	FLOSS STABILIZER (Web)	1	43032	43032	43032	43032
4	WHIRLGRIP CLIPS	6	77470	77470	77470	77470

## Parts List - Floss Machine Exterior View

Item	Part Description	Qty.	Part Number			
			3017	3017SR	3017SS	3077 (3077C)
1	SPINNER HEAD COMPLETE 5IN	1	42283	42283	42283	42561
2	INSP.COVER,FOUR BRUSH	2	42381	42381	42381	42381
3	8-32 X 1/2 SLOTTED H W H	4	49379	49379	49379	49379
4	BELL HOUSING, DUAL BRUSH	1	42190	42190	42190	42190
5	ACORN NUT 1/4-20	3	49068	49068	49068	49068
6	HANDLE	2	67069	67069	67069	67069
7	BOTTOM PLATE NS	1	42448	42448	42448	42448
8	STRAIN RELIEF #SR-6P3-4	1	76026	76026	76026	76026
9	LEAD-IN CORD 15 AMP PLUG	1	22038	22038	22038	87085 (3077)
	LEAD-IN CORD 20 AMP PLUG	1				47580 (3077C)
10	SWITCH, LIGHTED ROCKER GR	2	42798	42798	42798	42798
11	KNOB, ELECTRONIC HEAT CONTROL	1	42556	42556	42556	42556
12	NAMEPLATE	1	12600	12600	12600	12608
13	RUBBER FEET 3/4IN HIGH	8	47155	47155	47155	47155
14	KNOB SHIPPING BRACKET	2	42150	42150	42150	42150
15	SHIPPING BRACKET ASSY	1	69839	69839	69839	69839
16	BRUSH HOLDER ASSY RED/WHT (Includes Brushes, Caps, Holders)	2	42382W	42382W	42382W	42382W
17	CAP, BRUSH HOLDER	4	42138	42138	42138	42138
18	CARBON BRUSH	4	55007	55007	55007	55007
19	DUAL BRUSH HOLDER W/LEADS	2	42436W	42436W	42436W	42436W

## Floss Pan and Whirlgrip Stabilizer

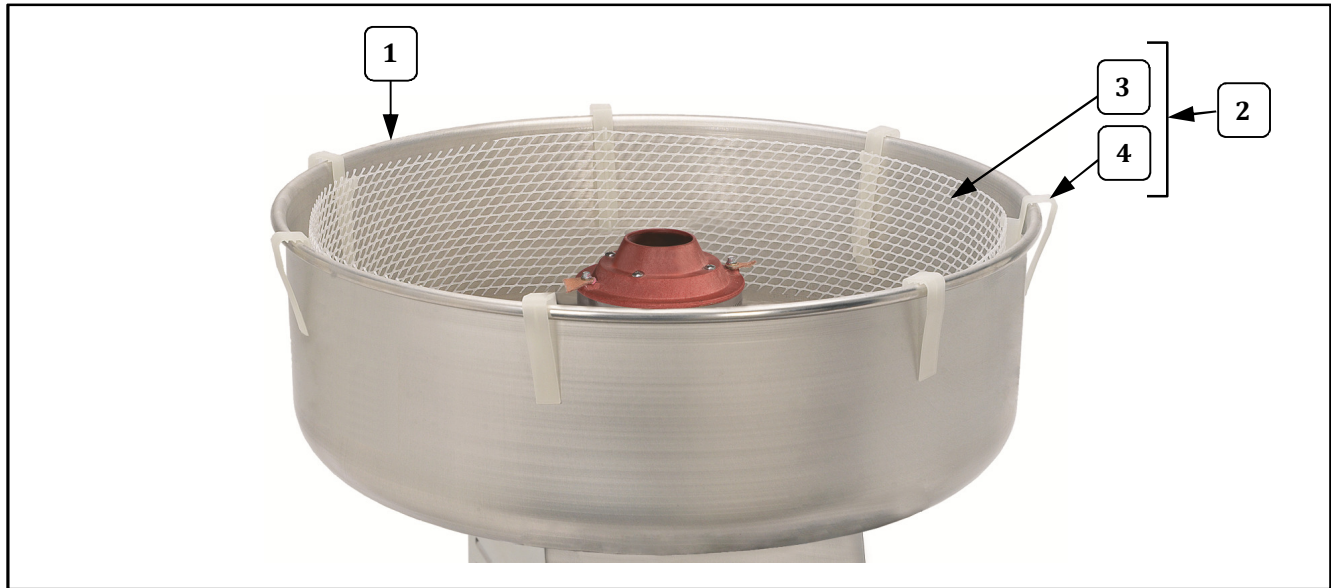


Item	Part Description	Qty.	Part Number			
			3017	3017SR	3017SS	3077 (3077C)
1	FLOSS PAN, ALUMINUM	1	42040	42040	42040	42040
2	WHIRLGRIP STABILIZER (Includes Floss Stabilizer and Clips)	1	3010	3010	3010	3010
3	FLOSS STABILIZER (Web)	1	43032	43032	43032	43032
4	WHIRLGRIP CLIPS	6	77470	77470	77470	77470

## Parts List - Floss Machine Exterior View

Item	Part Description	Qty.	Part Number			
			3017	3017SR	3017SS	3077 (3077C)
1	SPINNER HEAD COMPLETE 5IN	1	42283	42283	42283	42561
2	INSP.COVER,FOUR BRUSH	2	42381	42381	42381	42381
3	8-32 X 1/2 SLOTTED H W H	4	49379	49379	49379	49379
4	BELL HOUSING, DUAL BRUSH	1	42190	42190	42190	42190
5	ACORN NUT 1/4-20	3	49068	49068	49068	49068
6	HANDLE	2	67069	67069	67069	67069
7	BOTTOM PLATE NS	1	42448	42448	42448	42448
8	STRAIN RELIEF #SR-6P3-4	1	76026	76026	76026	76026
9	LEAD-IN CORD 15 AMP PLUG	1	22038	22038	22038	87085 (3077)
	LEAD-IN CORD 20 AMP PLUG	1				47580 (3077C)
10	SWITCH, LIGHTED ROCKER GR	2	42798	42798	42798	42798
11	KNOB, ELECTRONIC HEAT CONTROL	1	42556	42556	42556	42556
12	NAMEPLATE	1	12600	12600	12600	12608
13	RUBBER FEET 3/4IN HIGH	8	47155	47155	47155	47155
14	KNOB SHIPPING BRACKET	2	42150	42150	42150	42150
15	SHIPPING BRACKET ASSY	1	69839	69839	69839	69839
16	BRUSH HOLDER ASSY RED/WHT (Includes Brushes, Caps, Holders)	2	42382W	42382W	42382W	42382W
17	CAP, BRUSH HOLDER	4	42138	42138	42138	42138
18	CARBON BRUSH	4	55007	55007	55007	55007
19	DUAL BRUSH HOLDER W/LEADS	2	42436W	42436W	42436W	42436W

## Floss Pan and Whirlgrip Stabilizer

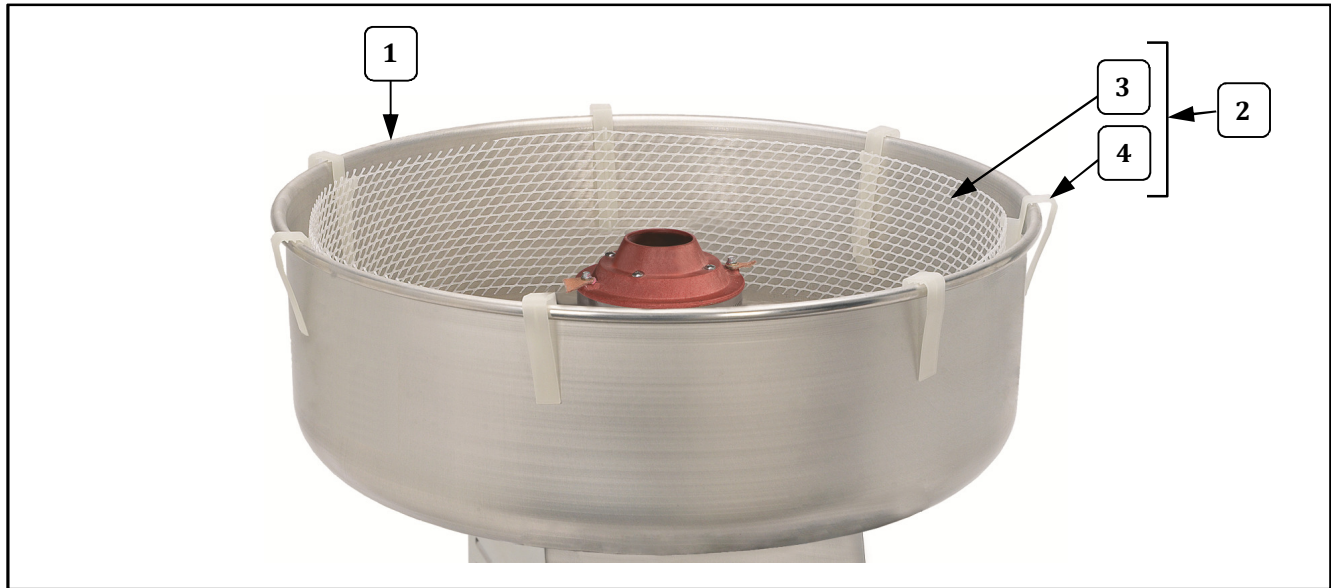


Item	Part Description	Qty.	Part Number			
			3017	3017SR	3017SS	3077 (3077C)
1	FLOSS PAN, ALUMINUM	1	42040	42040	42040	42040
2	WHIRLGRIP STABILIZER (Includes Floss Stabilizer and Clips)	1	3010	3010	3010	3010
3	FLOSS STABILIZER (Web)	1	43032	43032	43032	43032
4	WHIRLGRIP CLIPS	6	77470	77470	77470	77470

## Parts List - Floss Machine Exterior View

Item	Part Description	Qty.	Part Number			
			3017	3017SR	3017SS	3077 (3077C)
1	SPINNER HEAD COMPLETE 5IN	1	42283	42283	42283	42561
2	INSP.COVER,FOUR BRUSH	2	42381	42381	42381	42381
3	8-32 X 1/2 SLOTTED H W H	4	49379	49379	49379	49379
4	BELL HOUSING, DUAL BRUSH	1	42190	42190	42190	42190
5	ACORN NUT 1/4-20	3	49068	49068	49068	49068
6	HANDLE	2	67069	67069	67069	67069
7	BOTTOM PLATE NS	1	42448	42448	42448	42448
8	STRAIN RELIEF #SR-6P3-4	1	76026	76026	76026	76026
9	LEAD-IN CORD 15 AMP PLUG	1	22038	22038	22038	87085 (3077)
	LEAD-IN CORD 20 AMP PLUG	1				47580 (3077C)
10	SWITCH, LIGHTED ROCKER GR	2	42798	42798	42798	42798
11	KNOB, ELECTRONIC HEAT CONTROL	1	42556	42556	42556	42556
12	NAMEPLATE	1	12600	12600	12600	12608
13	RUBBER FEET 3/4IN HIGH	8	47155	47155	47155	47155
14	KNOB SHIPPING BRACKET	2	42150	42150	42150	42150
15	SHIPPING BRACKET ASSY	1	69839	69839	69839	69839
16	BRUSH HOLDER ASSY RED/WHT (Includes Brushes, Caps, Holders)	2	42382W	42382W	42382W	42382W
17	CAP, BRUSH HOLDER	4	42138	42138	42138	42138
18	CARBON BRUSH	4	55007	55007	55007	55007
19	DUAL BRUSH HOLDER W/LEADS	2	42436W	42436W	42436W	42436W

## Floss Pan and Whirlgrip Stabilizer

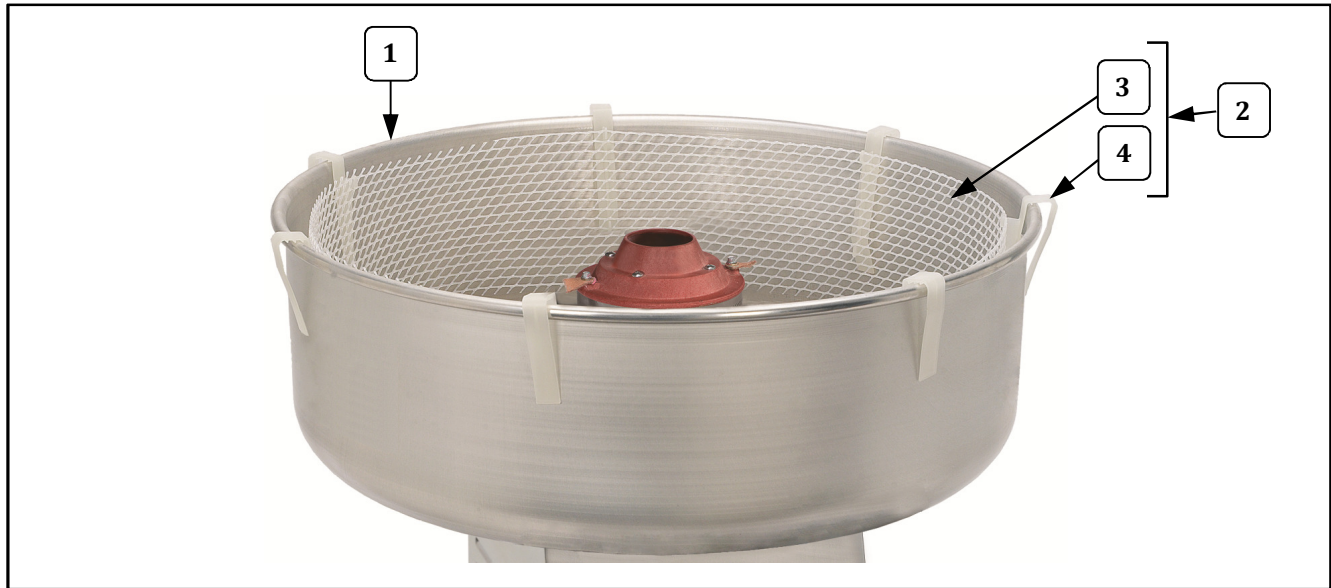


Item	Part Description	Qty.	Part Number			
			3017	3017SR	3017SS	3077 (3077C)
1	FLOSS PAN, ALUMINUM	1	42040	42040	42040	42040
2	WHIRLGRIP STABILIZER (Includes Floss Stabilizer and Clips)	1	3010	3010	3010	3010
3	FLOSS STABILIZER (Web)	1	43032	43032	43032	43032
4	WHIRLGRIP CLIPS	6	77470	77470	77470	77470

## Parts List - Floss Machine Exterior View

Item	Part Description	Qty.	Part Number			
			3017	3017SR	3017SS	3077 (3077C)
1	SPINNER HEAD COMPLETE 5IN	1	42283	42283	42283	42561
2	INSP.COVER,FOUR BRUSH	2	42381	42381	42381	42381
3	8-32 X 1/2 SLOTTED H W H	4	49379	49379	49379	49379
4	BELL HOUSING, DUAL BRUSH	1	42190	42190	42190	42190
5	ACORN NUT 1/4-20	3	49068	49068	49068	49068
6	HANDLE	2	67069	67069	67069	67069
7	BOTTOM PLATE NS	1	42448	42448	42448	42448
8	STRAIN RELIEF #SR-6P3-4	1	76026	76026	76026	76026
9	LEAD-IN CORD 15 AMP PLUG	1	22038	22038	22038	87085 (3077)
	LEAD-IN CORD 20 AMP PLUG	1				47580 (3077C)
10	SWITCH, LIGHTED ROCKER GR	2	42798	42798	42798	42798
11	KNOB, ELECTRONIC HEAT CONTROL	1	42556	42556	42556	42556
12	NAMEPLATE	1	12600	12600	12600	12608
13	RUBBER FEET 3/4IN HIGH	8	47155	47155	47155	47155
14	KNOB SHIPPING BRACKET	2	42150	42150	42150	42150
15	SHIPPING BRACKET ASSY	1	69839	69839	69839	69839
16	BRUSH HOLDER ASSY RED/WHT (Includes Brushes, Caps, Holders)	2	42382W	42382W	42382W	42382W
17	CAP, BRUSH HOLDER	4	42138	42138	42138	42138
18	CARBON BRUSH	4	55007	55007	55007	55007
19	DUAL BRUSH HOLDER W/LEADS	2	42436W	42436W	42436W	42436W

## Floss Pan and Whirlgrip Stabilizer

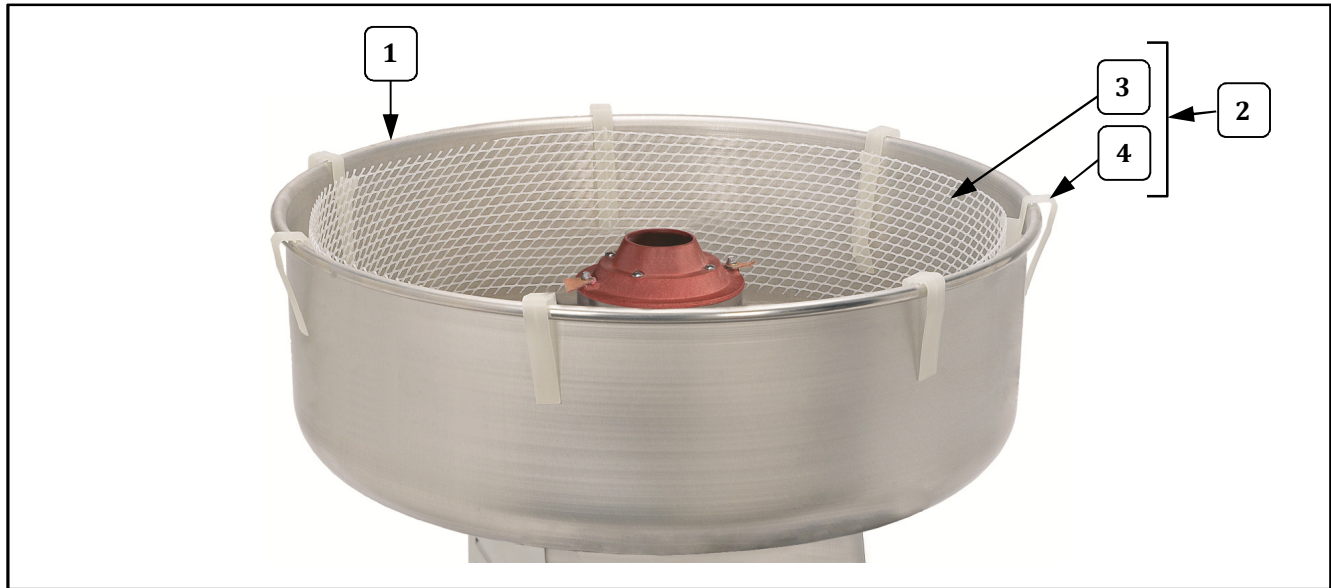


Item	Part Description	Qty.	Part Number			
			3017	3017SR	3017SS	3077 (3077C)
1	FLOSS PAN, ALUMINUM	1	42040	42040	42040	42040
2	WHIRLGRIP STABILIZER (Includes Floss Stabilizer and Clips)	1	3010	3010	3010	3010
3	FLOSS STABILIZER (Web)	1	43032	43032	43032	43032
4	WHIRLGRIP CLIPS	6	77470	77470	77470	77470

## Parts List - Floss Machine Exterior View

Item	Part Description	Qty.	Part Number			
			3017	3017SR	3017SS	3077 (3077C)
1	SPINNER HEAD COMPLETE 5IN	1	42283	42283	42283	42561
2	INSP.COVER,FOUR BRUSH	2	42381	42381	42381	42381
3	8-32 X 1/2 SLOTTED H W H	4	49379	49379	49379	49379
4	BELL HOUSING, DUAL BRUSH	1	42190	42190	42190	42190
5	ACORN NUT 1/4-20	3	49068	49068	49068	49068
6	HANDLE	2	67069	67069	67069	67069
7	BOTTOM PLATE NS	1	42448	42448	42448	42448
8	STRAIN RELIEF #SR-6P3-4	1	76026	76026	76026	76026
9	LEAD-IN CORD 15 AMP PLUG	1	22038	22038	22038	87085 (3077)
	LEAD-IN CORD 20 AMP PLUG	1				47580 (3077C)
10	SWITCH, LIGHTED ROCKER GR	2	42798	42798	42798	42798
11	KNOB, ELECTRONIC HEAT CONTROL	1	42556	42556	42556	42556
12	NAMEPLATE	1	12600	12600	12600	12608
13	RUBBER FEET 3/4IN HIGH	8	47155	47155	47155	47155
14	KNOB SHIPPING BRACKET	2	42150	42150	42150	42150
15	SHIPPING BRACKET ASSY	1	69839	69839	69839	69839
16	BRUSH HOLDER ASSY RED/WHT (Includes Brushes, Caps, Holders)	2	42382W	42382W	42382W	42382W
17	CAP, BRUSH HOLDER	4	42138	42138	42138	42138
18	CARBON BRUSH	4	55007	55007	55007	55007
19	DUAL BRUSH HOLDER W/LEADS	2	42436W	42436W	42436W	42436W

## Floss Pan and Whirlgrip Stabilizer

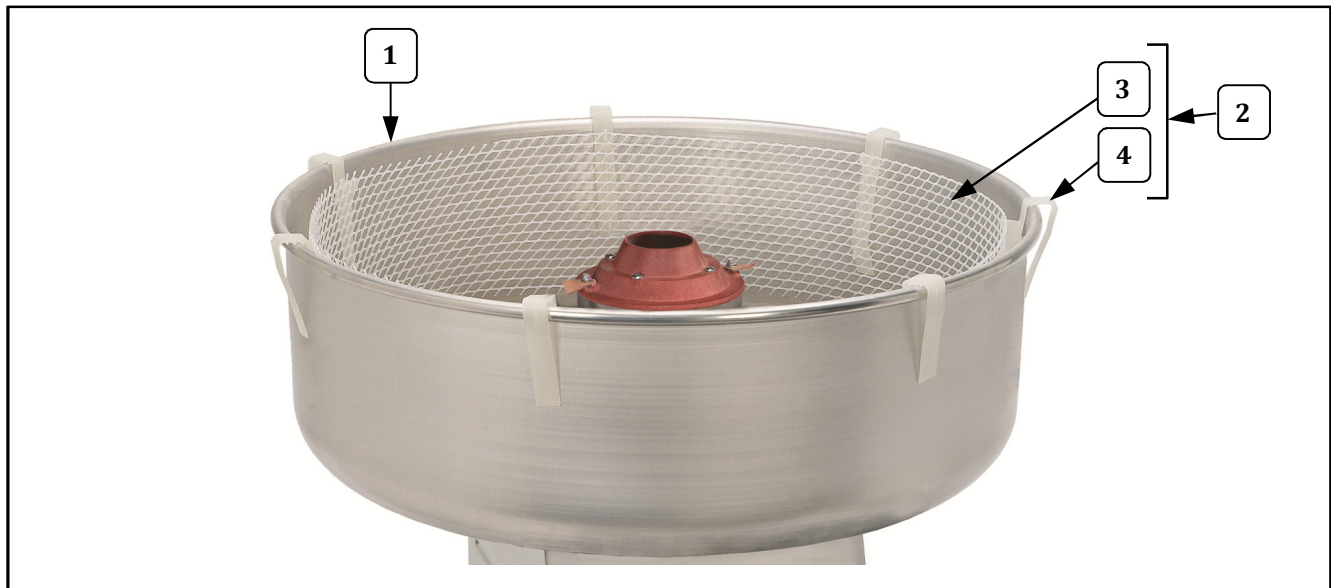


Item	Part Description	Qty.	Part Number			
			3017	3017SR	3017SS	3077 (3077C)
1	FLOSS PAN, ALUMINUM	1	42040	42040	42040	42040
2	WHIRLGRIP STABILIZER (Includes Floss Stabilizer and Clips)	1	3010	3010	3010	3010
3	FLOSS STABILIZER (Web)	1	43032	43032	43032	43032
4	WHIRLGRIP CLIPS	6	77470	77470	77470	77470

## Parts List - Floss Machine Exterior View

Item	Part Description	Qty.	Part Number			
			3017	3017SR	3017SS	3077 (3077C)
1	SPINNER HEAD COMPLETE 5IN	1	42283	42283	42283	42561
2	INSP.COVER,FOUR BRUSH	2	42381	42381	42381	42381
3	8-32 X 1/2 SLOTTED H W H	4	49379	49379	49379	49379
4	BELL HOUSING, DUAL BRUSH	1	42190	42190	42190	42190
5	ACORN NUT 1/4-20	3	49068	49068	49068	49068
6	HANDLE	2	67069	67069	67069	67069
7	BOTTOM PLATE NS	1	42448	42448	42448	42448
8	STRAIN RELIEF #SR-6P3-4	1	76026	76026	76026	76026
9	LEAD-IN CORD 15 AMP PLUG	1	22038	22038	22038	87085 (3077)
	LEAD-IN CORD 20 AMP PLUG	1				47580 (3077C)
10	SWITCH, LIGHTED ROCKER GR	2	42798	42798	42798	42798
11	KNOB, ELECTRONIC HEAT CONTROL	1	42556	42556	42556	42556
12	NAMEPLATE	1	12600	12600	12600	12608
13	RUBBER FEET 3/4IN HIGH	8	47155	47155	47155	47155
14	KNOB SHIPPING BRACKET	2	42150	42150	42150	42150
15	SHIPPING BRACKET ASSY	1	69839	69839	69839	69839
16	BRUSH HOLDER ASSY RED/WHT (Includes Brushes, Caps, Holders)	2	42382W	42382W	42382W	42382W
17	CAP, BRUSH HOLDER	4	42138	42138	42138	42138
18	CARBON BRUSH	4	55007	55007	55007	55007
19	DUAL BRUSH HOLDER W/LEADS	2	42436W	42436W	42436W	42436W

## Floss Pan and Whirlgrip Stabilizer

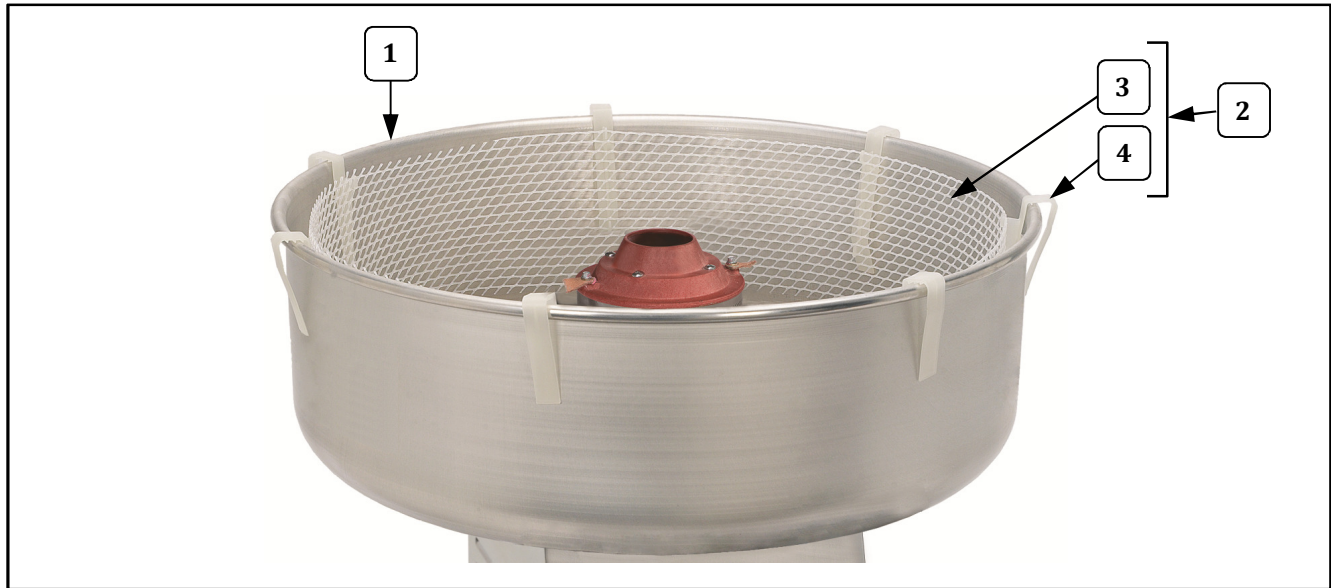


Item	Part Description	Qty.	Part Number			
			3017	3017SR	3017SS	3077 (3077C)
1	FLOSS PAN, ALUMINUM	1	42040	42040	42040	42040
2	WHIRLGRIP STABILIZER (Includes Floss Stabilizer and Clips)	1	3010	3010	3010	3010
3	FLOSS STABILIZER (Web)	1	43032	43032	43032	43032
4	WHIRLGRIP CLIPS	6	77470	77470	77470	77470

## Parts List - Floss Machine Exterior View

Item	Part Description	Qty.	Part Number			
			3017	3017SR	3017SS	3077 (3077C)
1	SPINNER HEAD COMPLETE 5IN	1	42283	42283	42283	42561
2	INSP.COVER,FOUR BRUSH	2	42381	42381	42381	42381
3	8-32 X 1/2 SLOTTED H W H	4	49379	49379	49379	49379
4	BELL HOUSING, DUAL BRUSH	1	42190	42190	42190	42190
5	ACORN NUT 1/4-20	3	49068	49068	49068	49068
6	HANDLE	2	67069	67069	67069	67069
7	BOTTOM PLATE NS	1	42448	42448	42448	42448
8	STRAIN RELIEF #SR-6P3-4	1	76026	76026	76026	76026
9	LEAD-IN CORD 15 AMP PLUG	1	22038	22038	22038	87085 (3077)
	LEAD-IN CORD 20 AMP PLUG	1				47580 (3077C)
10	SWITCH, LIGHTED ROCKER GR	2	42798	42798	42798	42798
11	KNOB, ELECTRONIC HEAT CONTROL	1	42556	42556	42556	42556
12	NAMEPLATE	1	12600	12600	12600	12608
13	RUBBER FEET 3/4IN HIGH	8	47155	47155	47155	47155
14	KNOB SHIPPING BRACKET	2	42150	42150	42150	42150
15	SHIPPING BRACKET ASSY	1	69839	69839	69839	69839
16	BRUSH HOLDER ASSY RED/WHT (Includes Brushes, Caps, Holders)	2	42382W	42382W	42382W	42382W
17	CAP, BRUSH HOLDER	4	42138	42138	42138	42138
18	CARBON BRUSH	4	55007	55007	55007	55007
19	DUAL BRUSH HOLDER W/LEADS	2	42436W	42436W	42436W	42436W

## Floss Pan and Whirlgrip Stabilizer

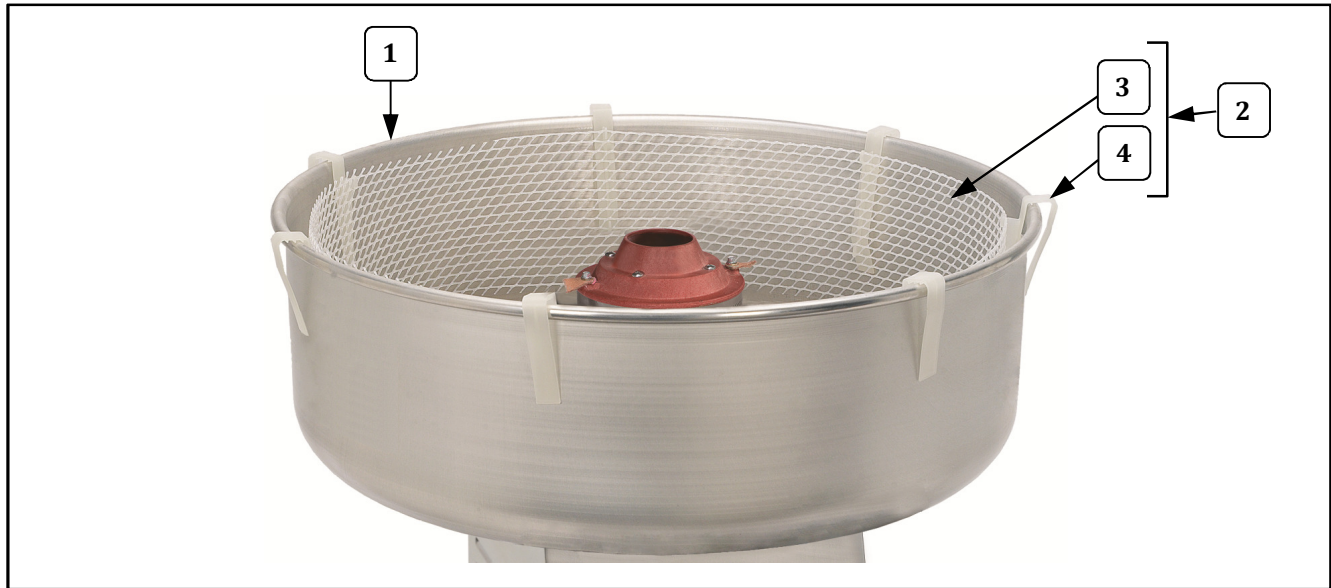


Item	Part Description	Qty.	Part Number			
			3017	3017SR	3017SS	3077 (3077C)
1	FLOSS PAN, ALUMINUM	1	42040	42040	42040	42040
2	WHIRLGRIP STABILIZER (Includes Floss Stabilizer and Clips)	1	3010	3010	3010	3010
3	FLOSS STABILIZER (Web)	1	43032	43032	43032	43032
4	WHIRLGRIP CLIPS	6	77470	77470	77470	77470

## Parts List - Floss Machine Exterior View

Item	Part Description	Qty.	Part Number			
			3017	3017SR	3017SS	3077 (3077C)
1	SPINNER HEAD COMPLETE 5IN	1	42283	42283	42283	42561
2	INSP.COVER,FOUR BRUSH	2	42381	42381	42381	42381
3	8-32 X 1/2 SLOTTED H W H	4	49379	49379	49379	49379
4	BELL HOUSING, DUAL BRUSH	1	42190	42190	42190	42190
5	ACORN NUT 1/4-20	3	49068	49068	49068	49068
6	HANDLE	2	67069	67069	67069	67069
7	BOTTOM PLATE NS	1	42448	42448	42448	42448
8	STRAIN RELIEF #SR-6P3-4	1	76026	76026	76026	76026
9	LEAD-IN CORD 15 AMP PLUG	1	22038	22038	22038	87085 (3077)
	LEAD-IN CORD 20 AMP PLUG	1				47580 (3077C)
10	SWITCH, LIGHTED ROCKER GR	2	42798	42798	42798	42798
11	KNOB, ELECTRONIC HEAT CONTROL	1	42556	42556	42556	42556
12	NAMEPLATE	1	12600	12600	12600	12608
13	RUBBER FEET 3/4IN HIGH	8	47155	47155	47155	47155
14	KNOB SHIPPING BRACKET	2	42150	42150	42150	42150
15	SHIPPING BRACKET ASSY	1	69839	69839	69839	69839
16	BRUSH HOLDER ASSY RED/WHT (Includes Brushes, Caps, Holders)	2	42382W	42382W	42382W	42382W
17	CAP, BRUSH HOLDER	4	42138	42138	42138	42138
18	CARBON BRUSH	4	55007	55007	55007	55007
19	DUAL BRUSH HOLDER W/LEADS	2	42436W	42436W	42436W	42436W

## Floss Pan and Whirlgrip Stabilizer

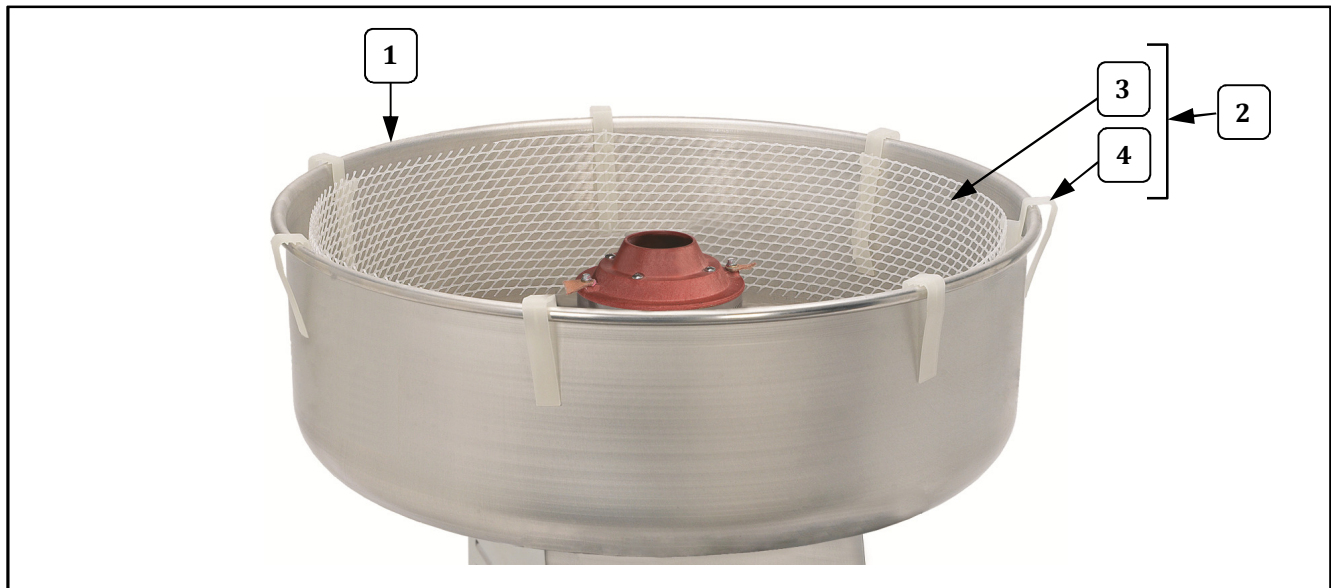


Item	Part Description	Qty.	Part Number			
			3017	3017SR	3017SS	3077 (3077C)
1	FLOSS PAN, ALUMINUM	1	42040	42040	42040	42040
2	WHIRLGRIP STABILIZER (Includes Floss Stabilizer and Clips)	1	3010	3010	3010	3010
3	FLOSS STABILIZER (Web)	1	43032	43032	43032	43032
4	WHIRLGRIP CLIPS	6	77470	77470	77470	77470

## Parts List - Floss Machine Exterior View

Item	Part Description	Qty.	Part Number			
			3017	3017SR	3017SS	3077 (3077C)
1	SPINNER HEAD COMPLETE 5IN	1	42283	42283	42283	42561
2	INSP.COVER,FOUR BRUSH	2	42381	42381	42381	42381
3	8-32 X 1/2 SLOTTED H W H	4	49379	49379	49379	49379
4	BELL HOUSING, DUAL BRUSH	1	42190	42190	42190	42190
5	ACORN NUT 1/4-20	3	49068	49068	49068	49068
6	HANDLE	2	67069	67069	67069	67069
7	BOTTOM PLATE NS	1	42448	42448	42448	42448
8	STRAIN RELIEF #SR-6P3-4	1	76026	76026	76026	76026
9	LEAD-IN CORD 15 AMP PLUG	1	22038	22038	22038	87085 (3077)
	LEAD-IN CORD 20 AMP PLUG	1				47580 (3077C)
10	SWITCH, LIGHTED ROCKER GR	2	42798	42798	42798	42798
11	KNOB, ELECTRONIC HEAT CONTROL	1	42556	42556	42556	42556
12	NAMEPLATE	1	12600	12600	12600	12608
13	RUBBER FEET 3/4IN HIGH	8	47155	47155	47155	47155
14	KNOB SHIPPING BRACKET	2	42150	42150	42150	42150
15	SHIPPING BRACKET ASSY	1	69839	69839	69839	69839
16	BRUSH HOLDER ASSY RED/WHT (Includes Brushes, Caps, Holders)	2	42382W	42382W	42382W	42382W
17	CAP, BRUSH HOLDER	4	42138	42138	42138	42138
18	CARBON BRUSH	4	55007	55007	55007	55007
19	DUAL BRUSH HOLDER W/LEADS	2	42436W	42436W	42436W	42436W

## Floss Pan and Whirlgrip Stabilizer

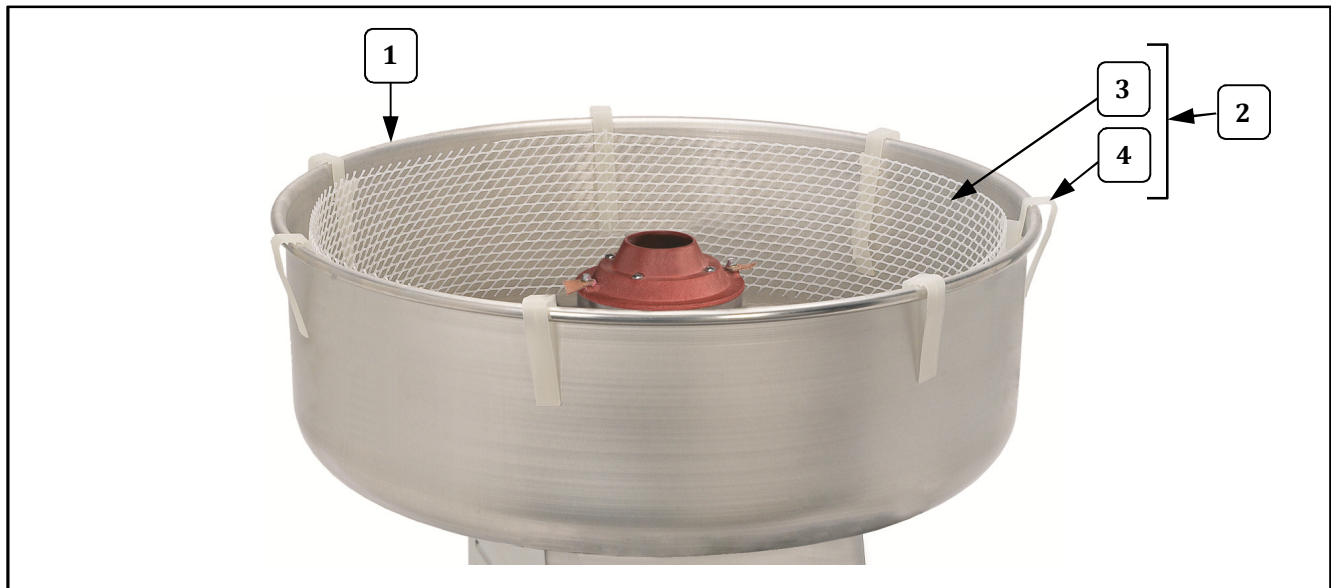


Item	Part Description	Qty.	Part Number			
			3017	3017SR	3017SS	3077 (3077C)
1	FLOSS PAN, ALUMINUM	1	42040	42040	42040	42040
2	WHIRLGRIP STABILIZER (Includes Floss Stabilizer and Clips)	1	3010	3010	3010	3010
3	FLOSS STABILIZER (Web)	1	43032	43032	43032	43032
4	WHIRLGRIP CLIPS	6	77470	77470	77470	77470

## Parts List - Floss Machine Exterior View

Item	Part Description	Qty.	Part Number			
			3017	3017SR	3017SS	3077 (3077C)
1	SPINNER HEAD COMPLETE 5IN	1	42283	42283	42283	42561
2	INSP.COVER,FOUR BRUSH	2	42381	42381	42381	42381
3	8-32 X 1/2 SLOTTED H W H	4	49379	49379	49379	49379
4	BELL HOUSING, DUAL BRUSH	1	42190	42190	42190	42190
5	ACORN NUT 1/4-20	3	49068	49068	49068	49068
6	HANDLE	2	67069	67069	67069	67069
7	BOTTOM PLATE NS	1	42448	42448	42448	42448
8	STRAIN RELIEF #SR-6P3-4	1	76026	76026	76026	76026
9	LEAD-IN CORD 15 AMP PLUG	1	22038	22038	22038	87085 (3077)
	LEAD-IN CORD 20 AMP PLUG	1				47580 (3077C)
10	SWITCH, LIGHTED ROCKER GR	2	42798	42798	42798	42798
11	KNOB, ELECTRONIC HEAT CONTROL	1	42556	42556	42556	42556
12	NAMEPLATE	1	12600	12600	12600	12608
13	RUBBER FEET 3/4IN HIGH	8	47155	47155	47155	47155
14	KNOB SHIPPING BRACKET	2	42150	42150	42150	42150
15	SHIPPING BRACKET ASSY	1	69839	69839	69839	69839
16	BRUSH HOLDER ASSY RED/WHT (Includes Brushes, Caps, Holders)	2	42382W	42382W	42382W	42382W
17	CAP, BRUSH HOLDER	4	42138	42138	42138	42138
18	CARBON BRUSH	4	55007	55007	55007	55007
19	DUAL BRUSH HOLDER W/LEADS	2	42436W	42436W	42436W	42436W

## Floss Pan and Whirlgrip Stabilizer

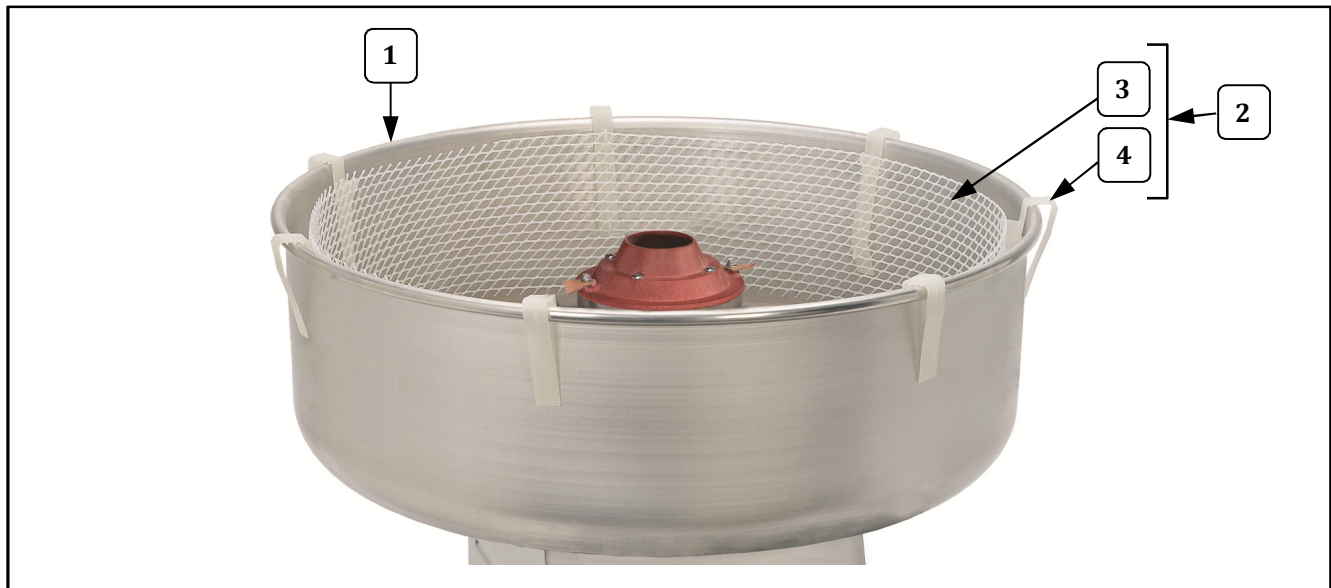


Item	Part Description	Qty.	Part Number			
			3017	3017SR	3017SS	3077 (3077C)
1	FLOSS PAN, ALUMINUM	1	42040	42040	42040	42040
2	WHIRLGRIP STABILIZER (Includes Floss Stabilizer and Clips)	1	3010	3010	3010	3010
3	FLOSS STABILIZER (Web)	1	43032	43032	43032	43032
4	WHIRLGRIP CLIPS	6	77470	77470	77470	77470

## Parts List - Floss Machine Exterior View

Item	Part Description	Qty.	Part Number			
			3017	3017SR	3017SS	3077 (3077C)
1	SPINNER HEAD COMPLETE 5IN	1	42283	42283	42283	42561
2	INSP.COVER,FOUR BRUSH	2	42381	42381	42381	42381
3	8-32 X 1/2 SLOTTED H W H	4	49379	49379	49379	49379
4	BELL HOUSING, DUAL BRUSH	1	42190	42190	42190	42190
5	ACORN NUT 1/4-20	3	49068	49068	49068	49068
6	HANDLE	2	67069	67069	67069	67069
7	BOTTOM PLATE NS	1	42448	42448	42448	42448
8	STRAIN RELIEF #SR-6P3-4	1	76026	76026	76026	76026
9	LEAD-IN CORD 15 AMP PLUG	1	22038	22038	22038	87085 (3077)
	LEAD-IN CORD 20 AMP PLUG	1				47580 (3077C)
10	SWITCH, LIGHTED ROCKER GR	2	42798	42798	42798	42798
11	KNOB, ELECTRONIC HEAT CONTROL	1	42556	42556	42556	42556
12	NAMEPLATE	1	12600	12600	12600	12608
13	RUBBER FEET 3/4IN HIGH	8	47155	47155	47155	47155
14	KNOB SHIPPING BRACKET	2	42150	42150	42150	42150
15	SHIPPING BRACKET ASSY	1	69839	69839	69839	69839
16	BRUSH HOLDER ASSY RED/WHT (Includes Brushes, Caps, Holders)	2	42382W	42382W	42382W	42382W
17	CAP, BRUSH HOLDER	4	42138	42138	42138	42138
18	CARBON BRUSH	4	55007	55007	55007	55007
19	DUAL BRUSH HOLDER W/LEADS	2	42436W	42436W	42436W	42436W

## Floss Pan and Whirlgrip Stabilizer

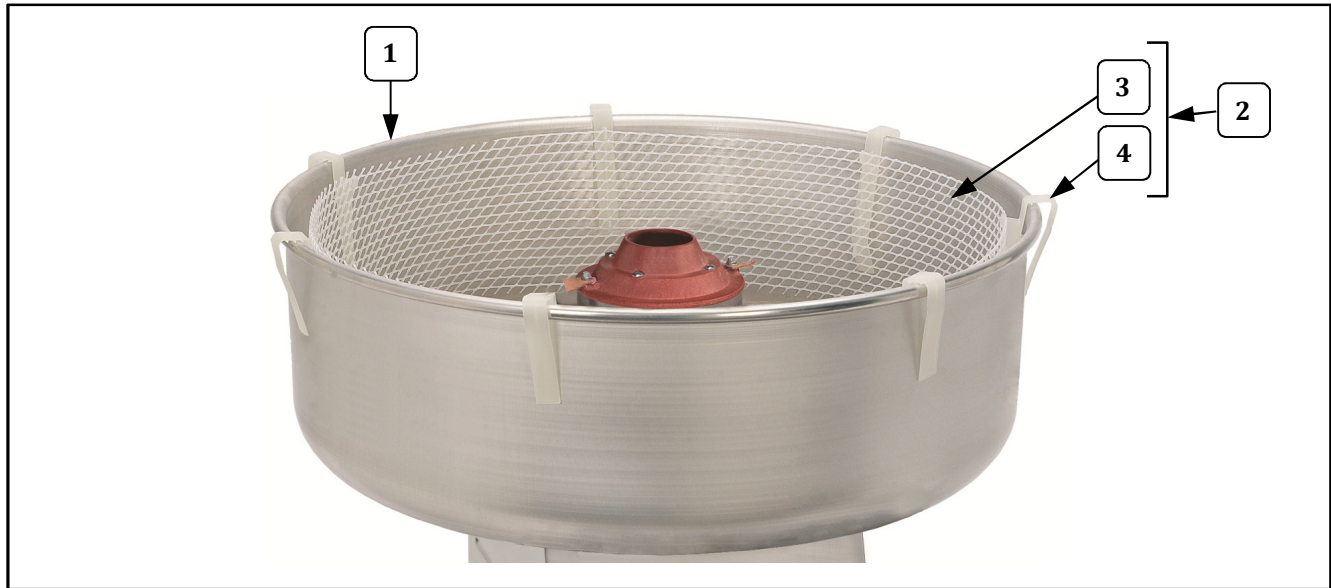


Item	Part Description	Qty.	Part Number			
			3017	3017SR	3017SS	3077 (3077C)
1	FLOSS PAN, ALUMINUM	1	42040	42040	42040	42040
2	WHIRLGRIP STABILIZER (Includes Floss Stabilizer and Clips)	1	3010	3010	3010	3010
3	FLOSS STABILIZER (Web)	1	43032	43032	43032	43032
4	WHIRLGRIP CLIPS	6	77470	77470	77470	77470

## Parts List - Floss Machine Exterior View

Item	Part Description	Qty.	Part Number			
			3017	3017SR	3017SS	3077 (3077C)
1	SPINNER HEAD COMPLETE 5IN	1	42283	42283	42283	42561
2	INSP.COVER,FOUR BRUSH	2	42381	42381	42381	42381
3	8-32 X 1/2 SLOTTED H W H	4	49379	49379	49379	49379
4	BELL HOUSING, DUAL BRUSH	1	42190	42190	42190	42190
5	ACORN NUT 1/4-20	3	49068	49068	49068	49068
6	HANDLE	2	67069	67069	67069	67069
7	BOTTOM PLATE NS	1	42448	42448	42448	42448
8	STRAIN RELIEF #SR-6P3-4	1	76026	76026	76026	76026
9	LEAD-IN CORD 15 AMP PLUG	1	22038	22038	22038	87085 (3077)
	LEAD-IN CORD 20 AMP PLUG	1				47580 (3077C)
10	SWITCH, LIGHTED ROCKER GR	2	42798	42798	42798	42798
11	KNOB, ELECTRONIC HEAT CONTROL	1	42556	42556	42556	42556
12	NAMEPLATE	1	12600	12600	12600	12608
13	RUBBER FEET 3/4IN HIGH	8	47155	47155	47155	47155
14	KNOB SHIPPING BRACKET	2	42150	42150	42150	42150
15	SHIPPING BRACKET ASSY	1	69839	69839	69839	69839
16	BRUSH HOLDER ASSY RED/WHT (Includes Brushes, Caps, Holders)	2	42382W	42382W	42382W	42382W
17	CAP, BRUSH HOLDER	4	42138	42138	42138	42138
18	CARBON BRUSH	4	55007	55007	55007	55007
19	DUAL BRUSH HOLDER W/LEADS	2	42436W	42436W	42436W	42436W

## Floss Pan and Whirlgrip Stabilizer

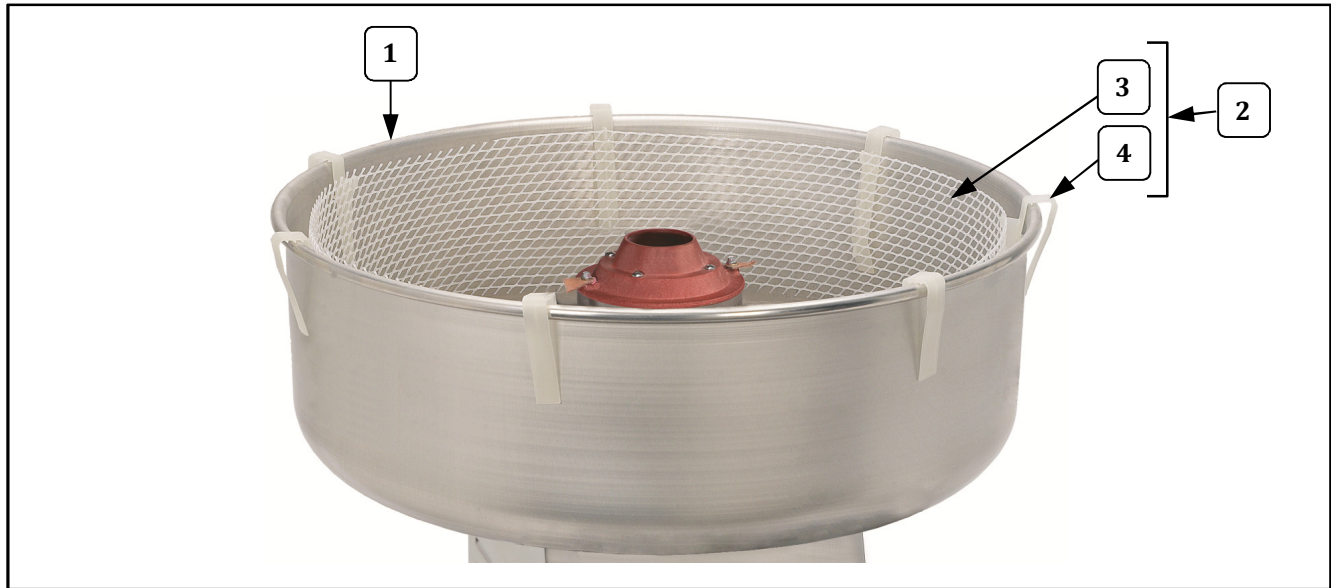


Item	Part Description	Qty.	Part Number			
			3017	3017SR	3017SS	3077 (3077C)
1	FLOSS PAN, ALUMINUM	1	42040	42040	42040	42040
2	WHIRLGRIP STABILIZER (Includes Floss Stabilizer and Clips)	1	3010	3010	3010	3010
3	FLOSS STABILIZER (Web)	1	43032	43032	43032	43032
4	WHIRLGRIP CLIPS	6	77470	77470	77470	77470

## Parts List - Floss Machine Exterior View

Item	Part Description	Qty.	Part Number			
			3017	3017SR	3017SS	3077 (3077C)
1	SPINNER HEAD COMPLETE 5IN	1	42283	42283	42283	42561
2	INSP.COVER,FOUR BRUSH	2	42381	42381	42381	42381
3	8-32 X 1/2 SLOTTED H W H	4	49379	49379	49379	49379
4	BELL HOUSING, DUAL BRUSH	1	42190	42190	42190	42190
5	ACORN NUT 1/4-20	3	49068	49068	49068	49068
6	HANDLE	2	67069	67069	67069	67069
7	BOTTOM PLATE NS	1	42448	42448	42448	42448
8	STRAIN RELIEF #SR-6P3-4	1	76026	76026	76026	76026
9	LEAD-IN CORD 15 AMP PLUG	1	22038	22038	22038	87085 (3077)
	LEAD-IN CORD 20 AMP PLUG	1				47580 (3077C)
10	SWITCH, LIGHTED ROCKER GR	2	42798	42798	42798	42798
11	KNOB, ELECTRONIC HEAT CONTROL	1	42556	42556	42556	42556
12	NAMEPLATE	1	12600	12600	12600	12608
13	RUBBER FEET 3/4IN HIGH	8	47155	47155	47155	47155
14	KNOB SHIPPING BRACKET	2	42150	42150	42150	42150
15	SHIPPING BRACKET ASSY	1	69839	69839	69839	69839
16	BRUSH HOLDER ASSY RED/WHT (Includes Brushes, Caps, Holders)	2	42382W	42382W	42382W	42382W
17	CAP, BRUSH HOLDER	4	42138	42138	42138	42138
18	CARBON BRUSH	4	55007	55007	55007	55007
19	DUAL BRUSH HOLDER W/LEADS	2	42436W	42436W	42436W	42436W

## Floss Pan and Whirlgrip Stabilizer

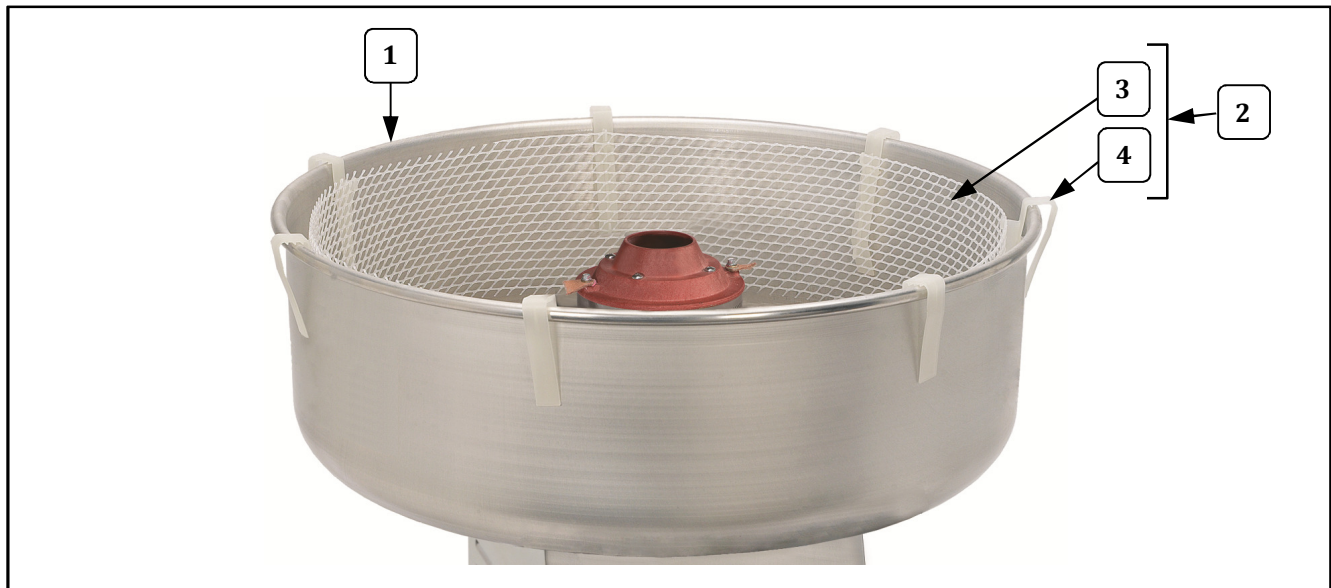


Item	Part Description	Qty.	Part Number			
			3017	3017SR	3017SS	3077 (3077C)
1	FLOSS PAN, ALUMINUM	1	42040	42040	42040	42040
2	WHIRLGRIP STABILIZER (Includes Floss Stabilizer and Clips)	1	3010	3010	3010	3010
3	FLOSS STABILIZER (Web)	1	43032	43032	43032	43032
4	WHIRLGRIP CLIPS	6	77470	77470	77470	77470

## Parts List - Floss Machine Exterior View

Item	Part Description	Qty.	Part Number			
			3017	3017SR	3017SS	3077 (3077C)
1	SPINNER HEAD COMPLETE 5IN	1	42283	42283	42283	42561
2	INSP.COVER,FOUR BRUSH	2	42381	42381	42381	42381
3	8-32 X 1/2 SLOTTED H W H	4	49379	49379	49379	49379
4	BELL HOUSING, DUAL BRUSH	1	42190	42190	42190	42190
5	ACORN NUT 1/4-20	3	49068	49068	49068	49068
6	HANDLE	2	67069	67069	67069	67069
7	BOTTOM PLATE NS	1	42448	42448	42448	42448
8	STRAIN RELIEF #SR-6P3-4	1	76026	76026	76026	76026
9	LEAD-IN CORD 15 AMP PLUG	1	22038	22038	22038	87085 (3077)
	LEAD-IN CORD 20 AMP PLUG	1				47580 (3077C)
10	SWITCH, LIGHTED ROCKER GR	2	42798	42798	42798	42798
11	KNOB, ELECTRONIC HEAT CONTROL	1	42556	42556	42556	42556
12	NAMEPLATE	1	12600	12600	12600	12608
13	RUBBER FEET 3/4IN HIGH	8	47155	47155	47155	47155
14	KNOB SHIPPING BRACKET	2	42150	42150	42150	42150
15	SHIPPING BRACKET ASSY	1	69839	69839	69839	69839
16	BRUSH HOLDER ASSY RED/WHT (Includes Brushes, Caps, Holders)	2	42382W	42382W	42382W	42382W
17	CAP, BRUSH HOLDER	4	42138	42138	42138	42138
18	CARBON BRUSH	4	55007	55007	55007	55007
19	DUAL BRUSH HOLDER W/LEADS	2	42436W	42436W	42436W	42436W

## Floss Pan and Whirlgrip Stabilizer

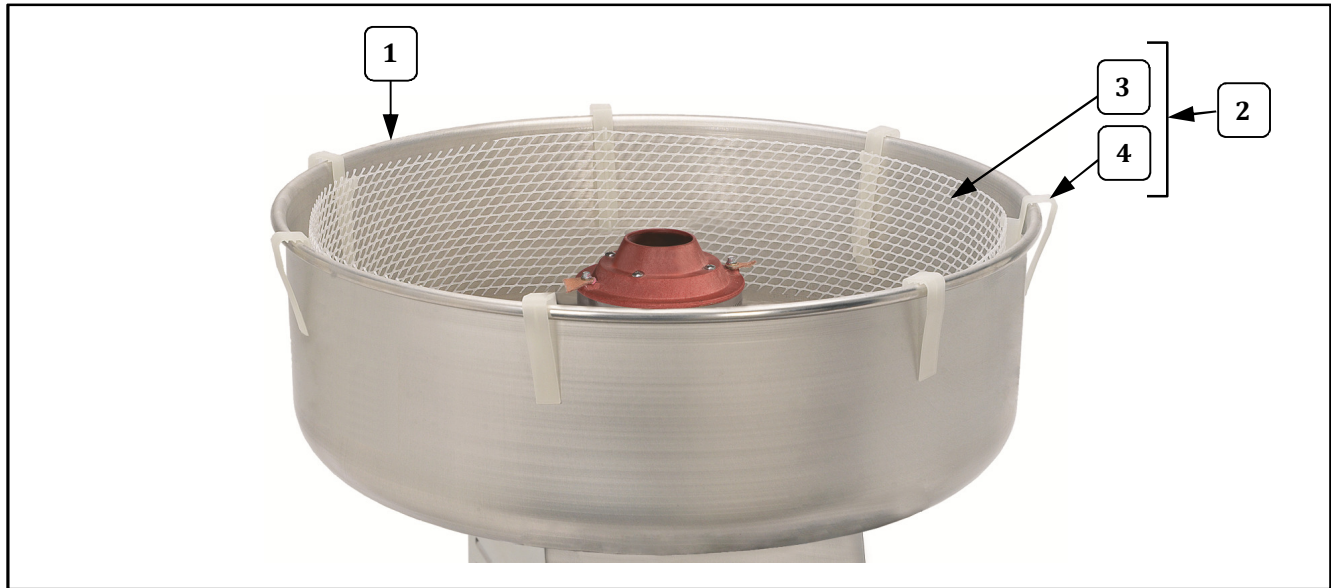


Item	Part Description	Qty.	Part Number			
			3017	3017SR	3017SS	3077 (3077C)
1	FLOSS PAN, ALUMINUM	1	42040	42040	42040	42040
2	WHIRLGRIP STABILIZER (Includes Floss Stabilizer and Clips)	1	3010	3010	3010	3010
3	FLOSS STABILIZER (Web)	1	43032	43032	43032	43032
4	WHIRLGRIP CLIPS	6	77470	77470	77470	77470

## Parts List - Floss Machine Exterior View

Item	Part Description	Qty.	Part Number			
			3017	3017SR	3017SS	3077 (3077C)
1	SPINNER HEAD COMPLETE 5IN	1	42283	42283	42283	42561
2	INSP.COVER,FOUR BRUSH	2	42381	42381	42381	42381
3	8-32 X 1/2 SLOTTED H W H	4	49379	49379	49379	49379
4	BELL HOUSING, DUAL BRUSH	1	42190	42190	42190	42190
5	ACORN NUT 1/4-20	3	49068	49068	49068	49068
6	HANDLE	2	67069	67069	67069	67069
7	BOTTOM PLATE NS	1	42448	42448	42448	42448
8	STRAIN RELIEF #SR-6P3-4	1	76026	76026	76026	76026
9	LEAD-IN CORD 15 AMP PLUG	1	22038	22038	22038	87085 (3077)
	LEAD-IN CORD 20 AMP PLUG	1				47580 (3077C)
10	SWITCH, LIGHTED ROCKER GR	2	42798	42798	42798	42798
11	KNOB, ELECTRONIC HEAT CONTROL	1	42556	42556	42556	42556
12	NAMEPLATE	1	12600	12600	12600	12608
13	RUBBER FEET 3/4IN HIGH	8	47155	47155	47155	47155
14	KNOB SHIPPING BRACKET	2	42150	42150	42150	42150
15	SHIPPING BRACKET ASSY	1	69839	69839	69839	69839
16	BRUSH HOLDER ASSY RED/WHT (Includes Brushes, Caps, Holders)	2	42382W	42382W	42382W	42382W
17	CAP, BRUSH HOLDER	4	42138	42138	42138	42138
18	CARBON BRUSH	4	55007	55007	55007	55007
19	DUAL BRUSH HOLDER W/LEADS	2	42436W	42436W	42436W	42436W

## Floss Pan and Whirlgrip Stabilizer

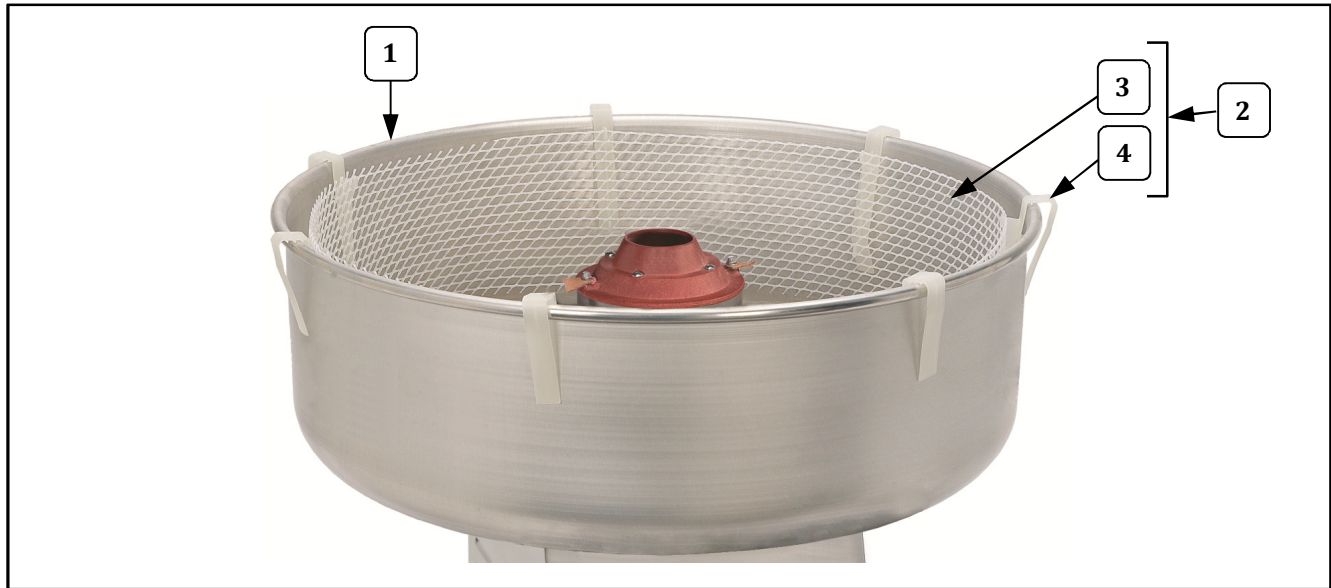


Item	Part Description	Qty.	Part Number			
			3017	3017SR	3017SS	3077 (3077C)
1	FLOSS PAN, ALUMINUM	1	42040	42040	42040	42040
2	WHIRLGRIP STABILIZER (Includes Floss Stabilizer and Clips)	1	3010	3010	3010	3010
3	FLOSS STABILIZER (Web)	1	43032	43032	43032	43032
4	WHIRLGRIP CLIPS	6	77470	77470	77470	77470

## Parts List - Floss Machine Exterior View

Item	Part Description	Qty.	Part Number			
			3017	3017SR	3017SS	3077 (3077C)
1	SPINNER HEAD COMPLETE 5IN	1	42283	42283	42283	42561
2	INSP.COVER,FOUR BRUSH	2	42381	42381	42381	42381
3	8-32 X 1/2 SLOTTED H W H	4	49379	49379	49379	49379
4	BELL HOUSING, DUAL BRUSH	1	42190	42190	42190	42190
5	ACORN NUT 1/4-20	3	49068	49068	49068	49068
6	HANDLE	2	67069	67069	67069	67069
7	BOTTOM PLATE NS	1	42448	42448	42448	42448
8	STRAIN RELIEF #SR-6P3-4	1	76026	76026	76026	76026
9	LEAD-IN CORD 15 AMP PLUG	1	22038	22038	22038	87085 (3077)
	LEAD-IN CORD 20 AMP PLUG	1				47580 (3077C)
10	SWITCH, LIGHTED ROCKER GR	2	42798	42798	42798	42798
11	KNOB, ELECTRONIC HEAT CONTROL	1	42556	42556	42556	42556
12	NAMEPLATE	1	12600	12600	12600	12608
13	RUBBER FEET 3/4IN HIGH	8	47155	47155	47155	47155
14	KNOB SHIPPING BRACKET	2	42150	42150	42150	42150
15	SHIPPING BRACKET ASSY	1	69839	69839	69839	69839
16	BRUSH HOLDER ASSY RED/WHT (Includes Brushes, Caps, Holders)	2	42382W	42382W	42382W	42382W
17	CAP, BRUSH HOLDER	4	42138	42138	42138	42138
18	CARBON BRUSH	4	55007	55007	55007	55007
19	DUAL BRUSH HOLDER W/LEADS	2	42436W	42436W	42436W	42436W

## Floss Pan and Whirlgrip Stabilizer

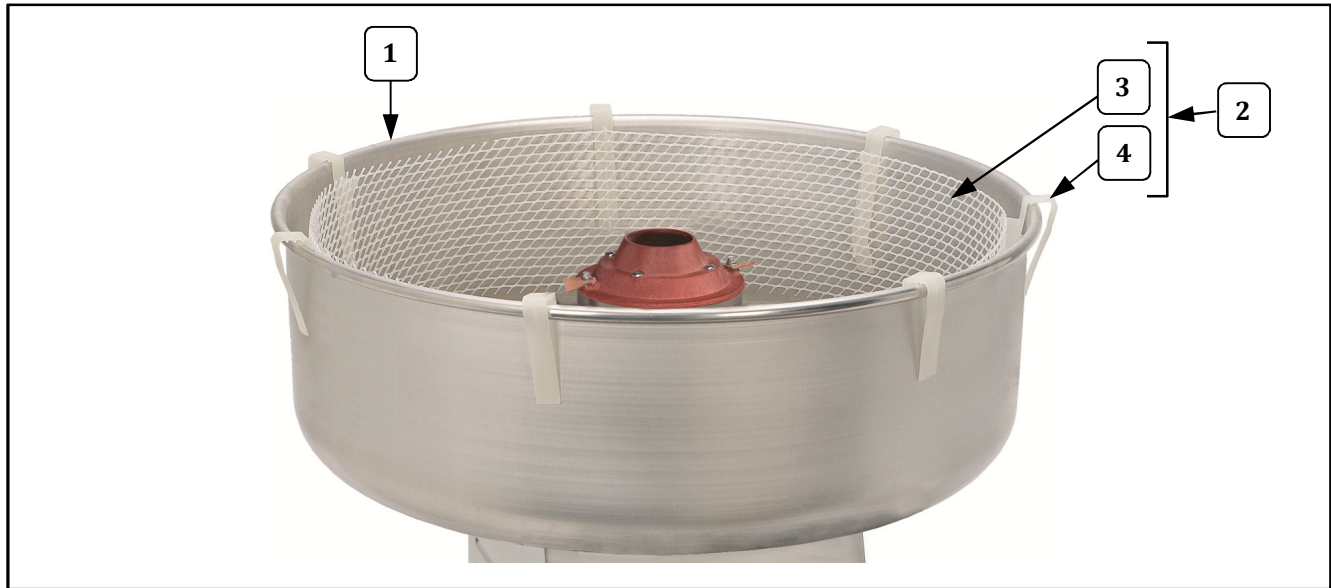


Item	Part Description	Qty.	Part Number			
			3017	3017SR	3017SS	3077 (3077C)
1	FLOSS PAN, ALUMINUM	1	42040	42040	42040	42040
2	WHIRLGRIP STABILIZER (Includes Floss Stabilizer and Clips)	1	3010	3010	3010	3010
3	FLOSS STABILIZER (Web)	1	43032	43032	43032	43032
4	WHIRLGRIP CLIPS	6	77470	77470	77470	77470

## Parts List - Floss Machine Exterior View

Item	Part Description	Qty.	Part Number			
			3017	3017SR	3017SS	3077 (3077C)
1	SPINNER HEAD COMPLETE 5IN	1	42283	42283	42283	42561
2	INSP.COVER,FOUR BRUSH	2	42381	42381	42381	42381
3	8-32 X 1/2 SLOTTED H W H	4	49379	49379	49379	49379
4	BELL HOUSING, DUAL BRUSH	1	42190	42190	42190	42190
5	ACORN NUT 1/4-20	3	49068	49068	49068	49068
6	HANDLE	2	67069	67069	67069	67069
7	BOTTOM PLATE NS	1	42448	42448	42448	42448
8	STRAIN RELIEF #SR-6P3-4	1	76026	76026	76026	76026
9	LEAD-IN CORD 15 AMP PLUG	1	22038	22038	22038	87085 (3077)
	LEAD-IN CORD 20 AMP PLUG	1				47580 (3077C)
10	SWITCH, LIGHTED ROCKER GR	2	42798	42798	42798	42798
11	KNOB, ELECTRONIC HEAT CONTROL	1	42556	42556	42556	42556
12	NAMEPLATE	1	12600	12600	12600	12608
13	RUBBER FEET 3/4IN HIGH	8	47155	47155	47155	47155
14	KNOB SHIPPING BRACKET	2	42150	42150	42150	42150
15	SHIPPING BRACKET ASSY	1	69839	69839	69839	69839
16	BRUSH HOLDER ASSY RED/WHT (Includes Brushes, Caps, Holders)	2	42382W	42382W	42382W	42382W
17	CAP, BRUSH HOLDER	4	42138	42138	42138	42138
18	CARBON BRUSH	4	55007	55007	55007	55007
19	DUAL BRUSH HOLDER W/LEADS	2	42436W	42436W	42436W	42436W

## Floss Pan and Whirlgrip Stabilizer

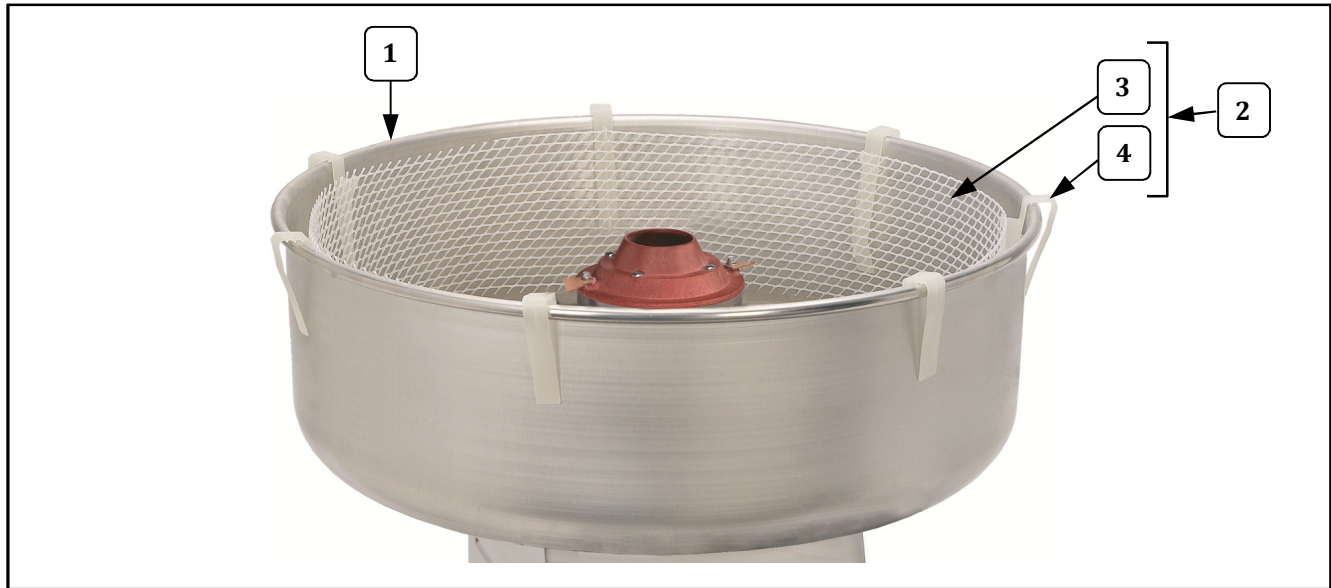


Item	Part Description	Qty.	Part Number			
			3017	3017SR	3017SS	3077 (3077C)
1	FLOSS PAN, ALUMINUM	1	42040	42040	42040	42040
2	WHIRLGRIP STABILIZER (Includes Floss Stabilizer and Clips)	1	3010	3010	3010	3010
3	FLOSS STABILIZER (Web)	1	43032	43032	43032	43032
4	WHIRLGRIP CLIPS	6	77470	77470	77470	77470

## Parts List - Floss Machine Exterior View

Item	Part Description	Qty.	Part Number			
			3017	3017SR	3017SS	3077 (3077C)
1	SPINNER HEAD COMPLETE 5IN	1	42283	42283	42283	42561
2	INSP.COVER,FOUR BRUSH	2	42381	42381	42381	42381
3	8-32 X 1/2 SLOTTED H W H	4	49379	49379	49379	49379
4	BELL HOUSING, DUAL BRUSH	1	42190	42190	42190	42190
5	ACORN NUT 1/4-20	3	49068	49068	49068	49068
6	HANDLE	2	67069	67069	67069	67069
7	BOTTOM PLATE NS	1	42448	42448	42448	42448
8	STRAIN RELIEF #SR-6P3-4	1	76026	76026	76026	76026
9	LEAD-IN CORD 15 AMP PLUG	1	22038	22038	22038	87085 (3077)
	LEAD-IN CORD 20 AMP PLUG	1				47580 (3077C)
10	SWITCH, LIGHTED ROCKER GR	2	42798	42798	42798	42798
11	KNOB, ELECTRONIC HEAT CONTROL	1	42556	42556	42556	42556
12	NAMEPLATE	1	12600	12600	12600	12608
13	RUBBER FEET 3/4IN HIGH	8	47155	47155	47155	47155
14	KNOB SHIPPING BRACKET	2	42150	42150	42150	42150
15	SHIPPING BRACKET ASSY	1	69839	69839	69839	69839
16	BRUSH HOLDER ASSY RED/WHT (Includes Brushes, Caps, Holders)	2	42382W	42382W	42382W	42382W
17	CAP, BRUSH HOLDER	4	42138	42138	42138	42138
18	CARBON BRUSH	4	55007	55007	55007	55007
19	DUAL BRUSH HOLDER W/LEADS	2	42436W	42436W	42436W	42436W

## Floss Pan and Whirlgrip Stabilizer

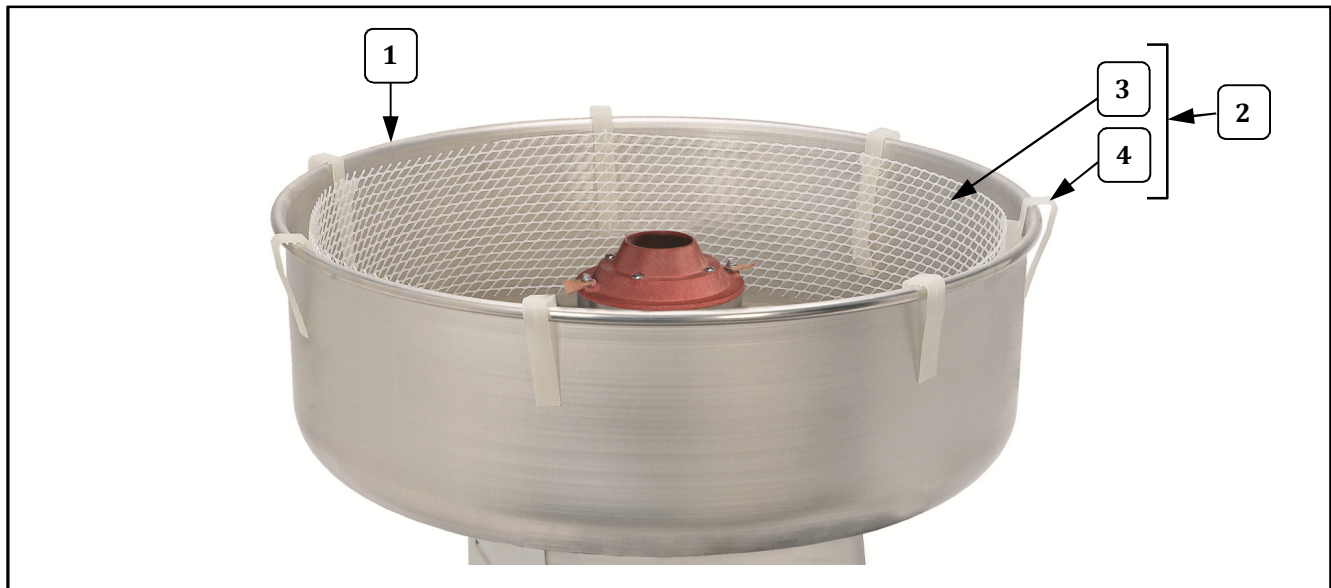


Item	Part Description	Qty.	Part Number			
			3017	3017SR	3017SS	3077 (3077C)
1	FLOSS PAN, ALUMINUM	1	42040	42040	42040	42040
2	WHIRLGRIP STABILIZER (Includes Floss Stabilizer and Clips)	1	3010	3010	3010	3010
3	FLOSS STABILIZER (Web)	1	43032	43032	43032	43032
4	WHIRLGRIP CLIPS	6	77470	77470	77470	77470

## Parts List - Floss Machine Exterior View

Item	Part Description	Qty.	Part Number			
			3017	3017SR	3017SS	3077 (3077C)
1	SPINNER HEAD COMPLETE 5IN	1	42283	42283	42283	42561
2	INSP.COVER,FOUR BRUSH	2	42381	42381	42381	42381
3	8-32 X 1/2 SLOTTED H W H	4	49379	49379	49379	49379
4	BELL HOUSING, DUAL BRUSH	1	42190	42190	42190	42190
5	ACORN NUT 1/4-20	3	49068	49068	49068	49068
6	HANDLE	2	67069	67069	67069	67069
7	BOTTOM PLATE NS	1	42448	42448	42448	42448
8	STRAIN RELIEF #SR-6P3-4	1	76026	76026	76026	76026
9	LEAD-IN CORD 15 AMP PLUG	1	22038	22038	22038	87085 (3077)
	LEAD-IN CORD 20 AMP PLUG	1				47580 (3077C)
10	SWITCH, LIGHTED ROCKER GR	2	42798	42798	42798	42798
11	KNOB, ELECTRONIC HEAT CONTROL	1	42556	42556	42556	42556
12	NAMEPLATE	1	12600	12600	12600	12608
13	RUBBER FEET 3/4IN HIGH	8	47155	47155	47155	47155
14	KNOB SHIPPING BRACKET	2	42150	42150	42150	42150
15	SHIPPING BRACKET ASSY	1	69839	69839	69839	69839
16	BRUSH HOLDER ASSY RED/WHT (Includes Brushes, Caps, Holders)	2	42382W	42382W	42382W	42382W
17	CAP, BRUSH HOLDER	4	42138	42138	42138	42138
18	CARBON BRUSH	4	55007	55007	55007	55007
19	DUAL BRUSH HOLDER W/LEADS	2	42436W	42436W	42436W	42436W

## Floss Pan and Whirlgrip Stabilizer

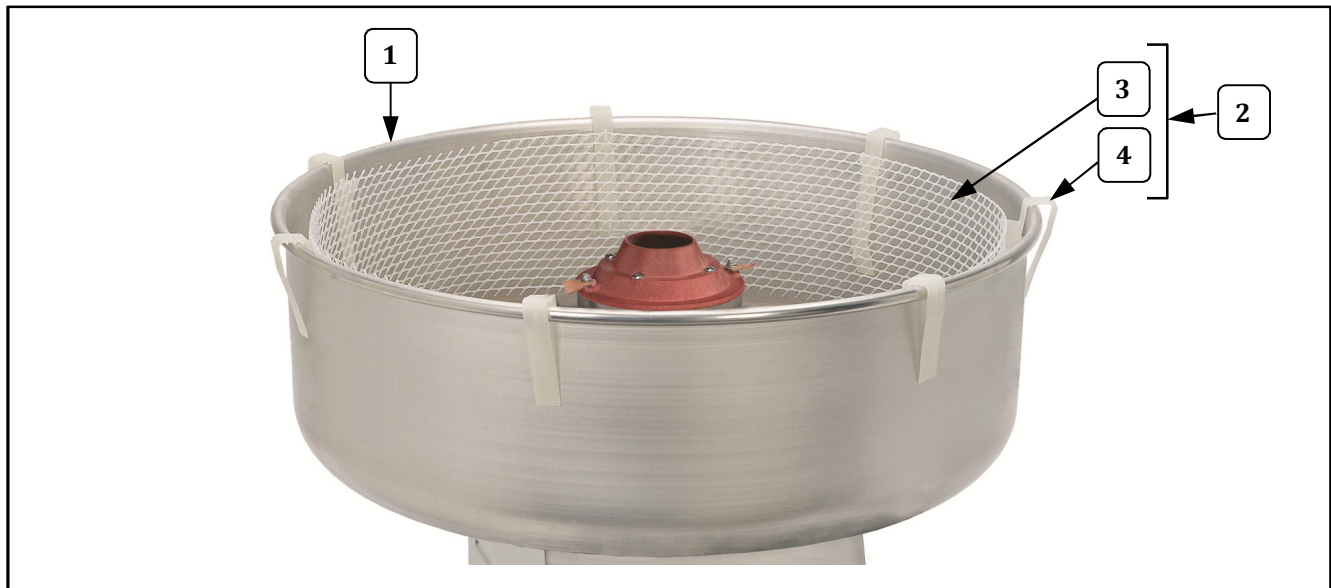


Item	Part Description	Qty.	Part Number			
			3017	3017SR	3017SS	3077 (3077C)
1	FLOSS PAN, ALUMINUM	1	42040	42040	42040	42040
2	WHIRLGRIP STABILIZER (Includes Floss Stabilizer and Clips)	1	3010	3010	3010	3010
3	FLOSS STABILIZER (Web)	1	43032	43032	43032	43032
4	WHIRLGRIP CLIPS	6	77470	77470	77470	77470

## Parts List - Floss Machine Exterior View

Item	Part Description	Qty.	Part Number			
			3017	3017SR	3017SS	3077 (3077C)
1	SPINNER HEAD COMPLETE 5IN	1	42283	42283	42283	42561
2	INSP.COVER,FOUR BRUSH	2	42381	42381	42381	42381
3	8-32 X 1/2 SLOTTED H W H	4	49379	49379	49379	49379
4	BELL HOUSING, DUAL BRUSH	1	42190	42190	42190	42190
5	ACORN NUT 1/4-20	3	49068	49068	49068	49068
6	HANDLE	2	67069	67069	67069	67069
7	BOTTOM PLATE NS	1	42448	42448	42448	42448
8	STRAIN RELIEF #SR-6P3-4	1	76026	76026	76026	76026
9	LEAD-IN CORD 15 AMP PLUG	1	22038	22038	22038	87085 (3077)
	LEAD-IN CORD 20 AMP PLUG	1				47580 (3077C)
10	SWITCH, LIGHTED ROCKER GR	2	42798	42798	42798	42798
11	KNOB, ELECTRONIC HEAT CONTROL	1	42556	42556	42556	42556
12	NAMEPLATE	1	12600	12600	12600	12608
13	RUBBER FEET 3/4IN HIGH	8	47155	47155	47155	47155
14	KNOB SHIPPING BRACKET	2	42150	42150	42150	42150
15	SHIPPING BRACKET ASSY	1	69839	69839	69839	69839
16	BRUSH HOLDER ASSY RED/WHT (Includes Brushes, Caps, Holders)	2	42382W	42382W	42382W	42382W
17	CAP, BRUSH HOLDER	4	42138	42138	42138	42138
18	CARBON BRUSH	4	55007	55007	55007	55007
19	DUAL BRUSH HOLDER W/LEADS	2	42436W	42436W	42436W	42436W

## Floss Pan and Whirlgrip Stabilizer

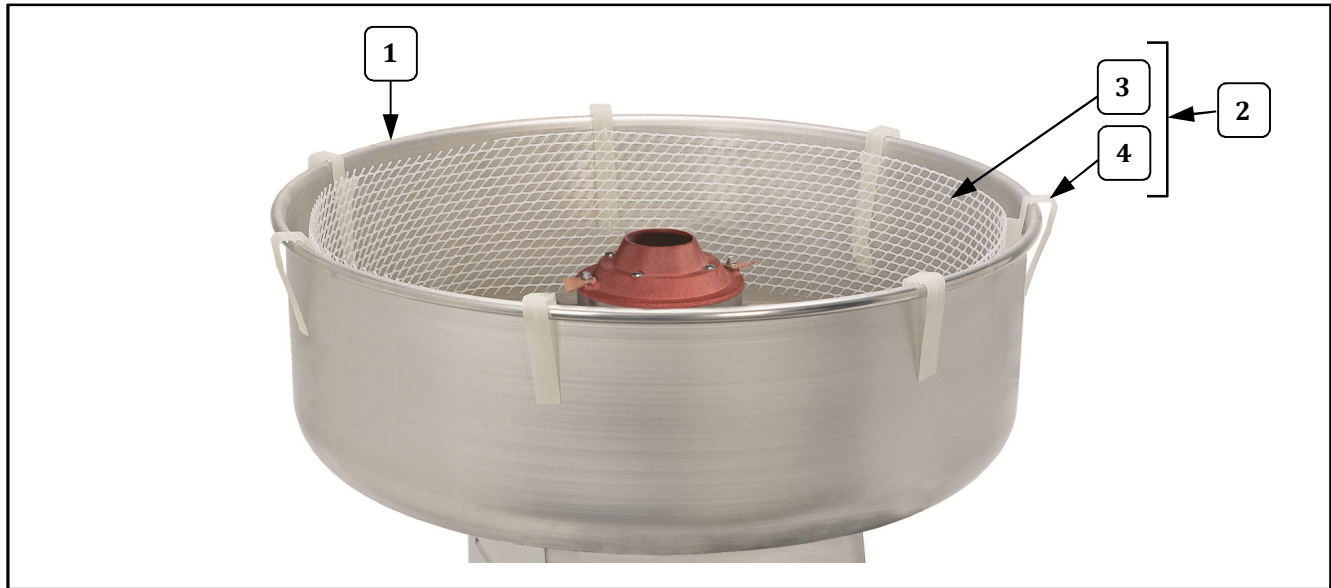


Item	Part Description	Qty.	Part Number			
			3017	3017SR	3017SS	3077 (3077C)
1	FLOSS PAN, ALUMINUM	1	42040	42040	42040	42040
2	WHIRLGRIP STABILIZER (Includes Floss Stabilizer and Clips)	1	3010	3010	3010	3010
3	FLOSS STABILIZER (Web)	1	43032	43032	43032	43032
4	WHIRLGRIP CLIPS	6	77470	77470	77470	77470

## Parts List - Floss Machine Exterior View

Item	Part Description	Qty.	Part Number			
			3017	3017SR	3017SS	3077 (3077C)
1	SPINNER HEAD COMPLETE 5IN	1	42283	42283	42283	42561
2	INSP.COVER,FOUR BRUSH	2	42381	42381	42381	42381
3	8-32 X 1/2 SLOTTED H W H	4	49379	49379	49379	49379
4	BELL HOUSING, DUAL BRUSH	1	42190	42190	42190	42190
5	ACORN NUT 1/4-20	3	49068	49068	49068	49068
6	HANDLE	2	67069	67069	67069	67069
7	BOTTOM PLATE NS	1	42448	42448	42448	42448
8	STRAIN RELIEF #SR-6P3-4	1	76026	76026	76026	76026
9	LEAD-IN CORD 15 AMP PLUG	1	22038	22038	22038	87085 (3077)
	LEAD-IN CORD 20 AMP PLUG	1				47580 (3077C)
10	SWITCH, LIGHTED ROCKER GR	2	42798	42798	42798	42798
11	KNOB, ELECTRONIC HEAT CONTROL	1	42556	42556	42556	42556
12	NAMEPLATE	1	12600	12600	12600	12608
13	RUBBER FEET 3/4IN HIGH	8	47155	47155	47155	47155
14	KNOB SHIPPING BRACKET	2	42150	42150	42150	42150
15	SHIPPING BRACKET ASSY	1	69839	69839	69839	69839
16	BRUSH HOLDER ASSY RED/WHT (Includes Brushes, Caps, Holders)	2	42382W	42382W	42382W	42382W
17	CAP, BRUSH HOLDER	4	42138	42138	42138	42138
18	CARBON BRUSH	4	55007	55007	55007	55007
19	DUAL BRUSH HOLDER W/LEADS	2	42436W	42436W	42436W	42436W

## Floss Pan and Whirlgrip Stabilizer

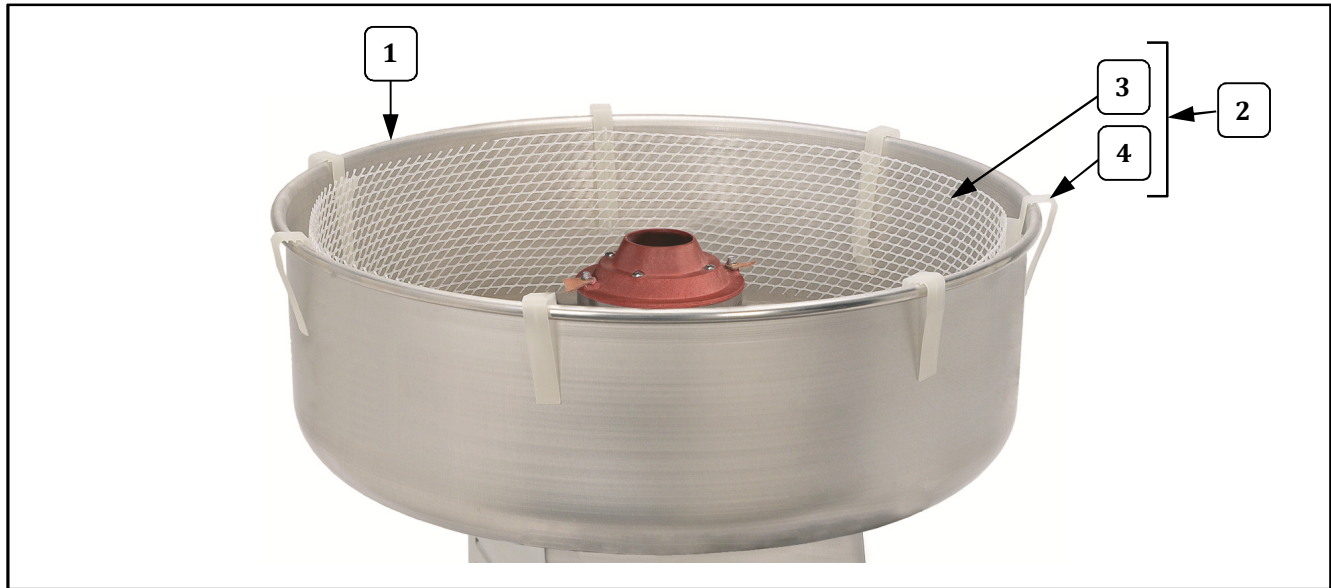


Item	Part Description	Qty.	Part Number			
			3017	3017SR	3017SS	3077 (3077C)
1	FLOSS PAN, ALUMINUM	1	42040	42040	42040	42040
2	WHIRLGRIP STABILIZER (Includes Floss Stabilizer and Clips)	1	3010	3010	3010	3010
3	FLOSS STABILIZER (Web)	1	43032	43032	43032	43032
4	WHIRLGRIP CLIPS	6	77470	77470	77470	77470

## Parts List - Floss Machine Exterior View

Item	Part Description	Qty.	Part Number			
			3017	3017SR	3017SS	3077 (3077C)
1	SPINNER HEAD COMPLETE 5IN	1	42283	42283	42283	42561
2	INSP.COVER,FOUR BRUSH	2	42381	42381	42381	42381
3	8-32 X 1/2 SLOTTED H W H	4	49379	49379	49379	49379
4	BELL HOUSING, DUAL BRUSH	1	42190	42190	42190	42190
5	ACORN NUT 1/4-20	3	49068	49068	49068	49068
6	HANDLE	2	67069	67069	67069	67069
7	BOTTOM PLATE NS	1	42448	42448	42448	42448
8	STRAIN RELIEF #SR-6P3-4	1	76026	76026	76026	76026
9	LEAD-IN CORD 15 AMP PLUG	1	22038	22038	22038	87085 (3077)
	LEAD-IN CORD 20 AMP PLUG	1				47580 (3077C)
10	SWITCH, LIGHTED ROCKER GR	2	42798	42798	42798	42798
11	KNOB, ELECTRONIC HEAT CONTROL	1	42556	42556	42556	42556
12	NAMEPLATE	1	12600	12600	12600	12608
13	RUBBER FEET 3/4IN HIGH	8	47155	47155	47155	47155
14	KNOB SHIPPING BRACKET	2	42150	42150	42150	42150
15	SHIPPING BRACKET ASSY	1	69839	69839	69839	69839
16	BRUSH HOLDER ASSY RED/WHT (Includes Brushes, Caps, Holders)	2	42382W	42382W	42382W	42382W
17	CAP, BRUSH HOLDER	4	42138	42138	42138	42138
18	CARBON BRUSH	4	55007	55007	55007	55007
19	DUAL BRUSH HOLDER W/LEADS	2	42436W	42436W	42436W	42436W

## Floss Pan and Whirlgrip Stabilizer

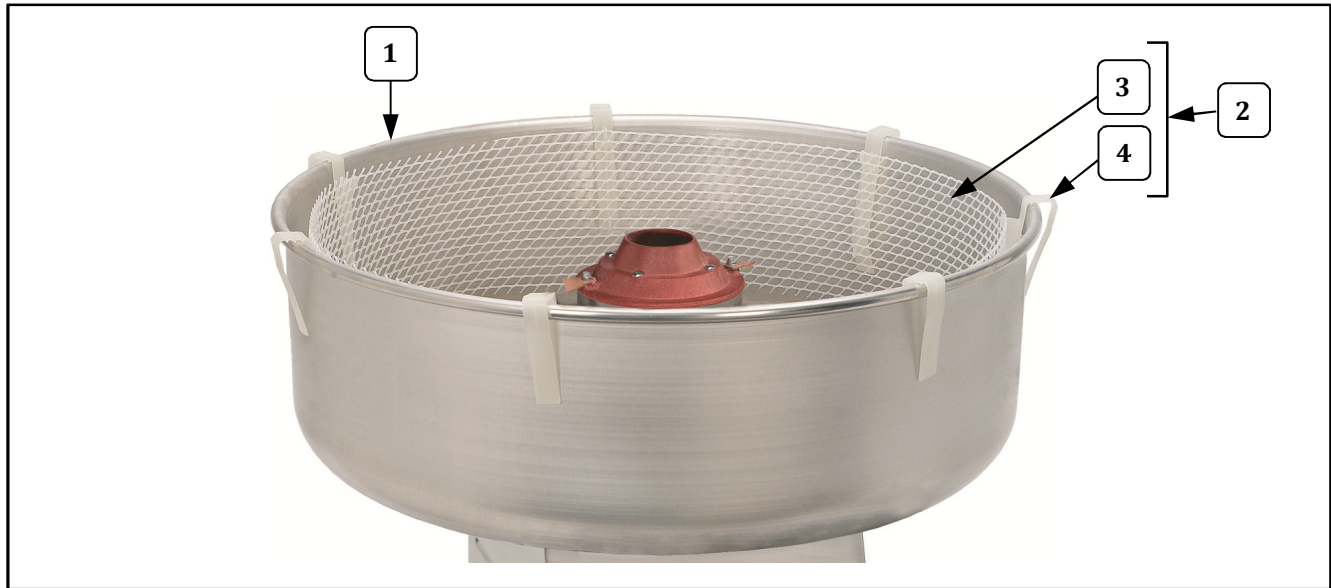


Item	Part Description	Qty.	Part Number			
			3017	3017SR	3017SS	3077 (3077C)
1	FLOSS PAN, ALUMINUM	1	42040	42040	42040	42040
2	WHIRLGRIP STABILIZER (Includes Floss Stabilizer and Clips)	1	3010	3010	3010	3010
3	FLOSS STABILIZER (Web)	1	43032	43032	43032	43032
4	WHIRLGRIP CLIPS	6	77470	77470	77470	77470

## Parts List - Floss Machine Exterior View

Item	Part Description	Qty.	Part Number			
			3017	3017SR	3017SS	3077 (3077C)
1	SPINNER HEAD COMPLETE 5IN	1	42283	42283	42283	42561
2	INSP.COVER,FOUR BRUSH	2	42381	42381	42381	42381
3	8-32 X 1/2 SLOTTED H W H	4	49379	49379	49379	49379
4	BELL HOUSING, DUAL BRUSH	1	42190	42190	42190	42190
5	ACORN NUT 1/4-20	3	49068	49068	49068	49068
6	HANDLE	2	67069	67069	67069	67069
7	BOTTOM PLATE NS	1	42448	42448	42448	42448
8	STRAIN RELIEF #SR-6P3-4	1	76026	76026	76026	76026
9	LEAD-IN CORD 15 AMP PLUG	1	22038	22038	22038	87085 (3077)
	LEAD-IN CORD 20 AMP PLUG	1				47580 (3077C)
10	SWITCH, LIGHTED ROCKER GR	2	42798	42798	42798	42798
11	KNOB, ELECTRONIC HEAT CONTROL	1	42556	42556	42556	42556
12	NAMEPLATE	1	12600	12600	12600	12608
13	RUBBER FEET 3/4IN HIGH	8	47155	47155	47155	47155
14	KNOB SHIPPING BRACKET	2	42150	42150	42150	42150
15	SHIPPING BRACKET ASSY	1	69839	69839	69839	69839
16	BRUSH HOLDER ASSY RED/WHT (Includes Brushes, Caps, Holders)	2	42382W	42382W	42382W	42382W
17	CAP, BRUSH HOLDER	4	42138	42138	42138	42138
18	CARBON BRUSH	4	55007	55007	55007	55007
19	DUAL BRUSH HOLDER W/LEADS	2	42436W	42436W	42436W	42436W

## Floss Pan and Whirlgrip Stabilizer

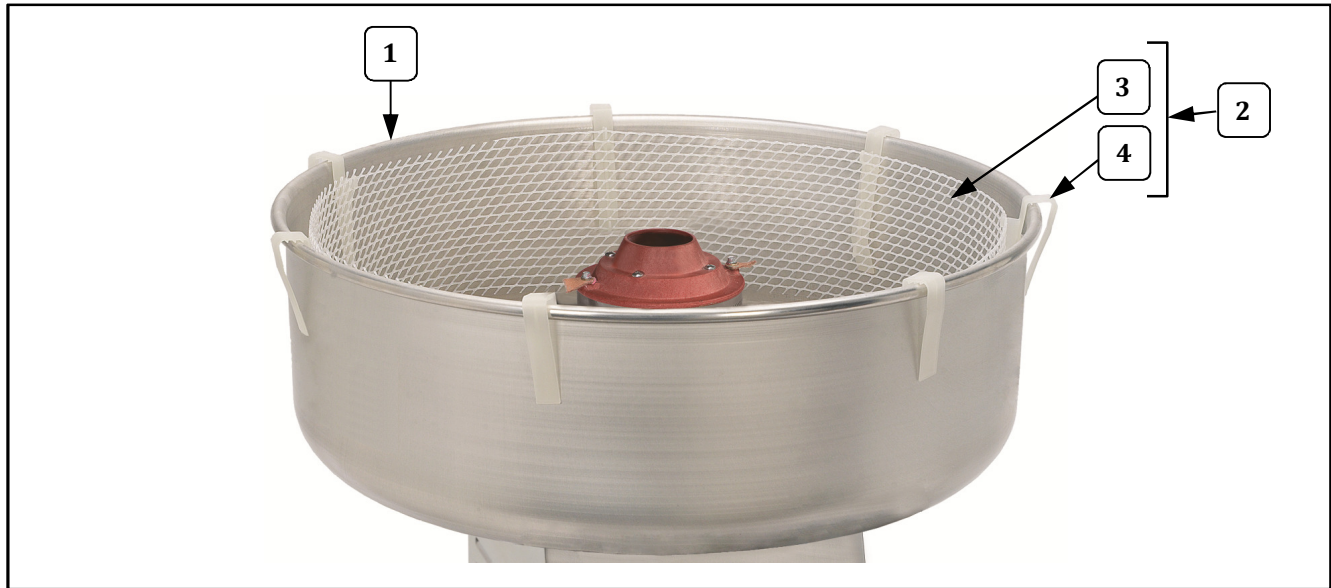


Item	Part Description	Qty.	Part Number			
			3017	3017SR	3017SS	3077 (3077C)
1	FLOSS PAN, ALUMINUM	1	42040	42040	42040	42040
2	WHIRLGRIP STABILIZER (Includes Floss Stabilizer and Clips)	1	3010	3010	3010	3010
3	FLOSS STABILIZER (Web)	1	43032	43032	43032	43032
4	WHIRLGRIP CLIPS	6	77470	77470	77470	77470

## Parts List - Floss Machine Exterior View

Item	Part Description	Qty.	Part Number			
			3017	3017SR	3017SS	3077 (3077C)
1	SPINNER HEAD COMPLETE 5IN	1	42283	42283	42283	42561
2	INSP.COVER,FOUR BRUSH	2	42381	42381	42381	42381
3	8-32 X 1/2 SLOTTED H W H	4	49379	49379	49379	49379
4	BELL HOUSING, DUAL BRUSH	1	42190	42190	42190	42190
5	ACORN NUT 1/4-20	3	49068	49068	49068	49068
6	HANDLE	2	67069	67069	67069	67069
7	BOTTOM PLATE NS	1	42448	42448	42448	42448
8	STRAIN RELIEF #SR-6P3-4	1	76026	76026	76026	76026
9	LEAD-IN CORD 15 AMP PLUG	1	22038	22038	22038	87085 (3077)
	LEAD-IN CORD 20 AMP PLUG	1				47580 (3077C)
10	SWITCH, LIGHTED ROCKER GR	2	42798	42798	42798	42798
11	KNOB, ELECTRONIC HEAT CONTROL	1	42556	42556	42556	42556
12	NAMEPLATE	1	12600	12600	12600	12608
13	RUBBER FEET 3/4IN HIGH	8	47155	47155	47155	47155
14	KNOB SHIPPING BRACKET	2	42150	42150	42150	42150
15	SHIPPING BRACKET ASSY	1	69839	69839	69839	69839
16	BRUSH HOLDER ASSY RED/WHT (Includes Brushes, Caps, Holders)	2	42382W	42382W	42382W	42382W
17	CAP, BRUSH HOLDER	4	42138	42138	42138	42138
18	CARBON BRUSH	4	55007	55007	55007	55007
19	DUAL BRUSH HOLDER W/LEADS	2	42436W	42436W	42436W	42436W

## Floss Pan and Whirlgrip Stabilizer

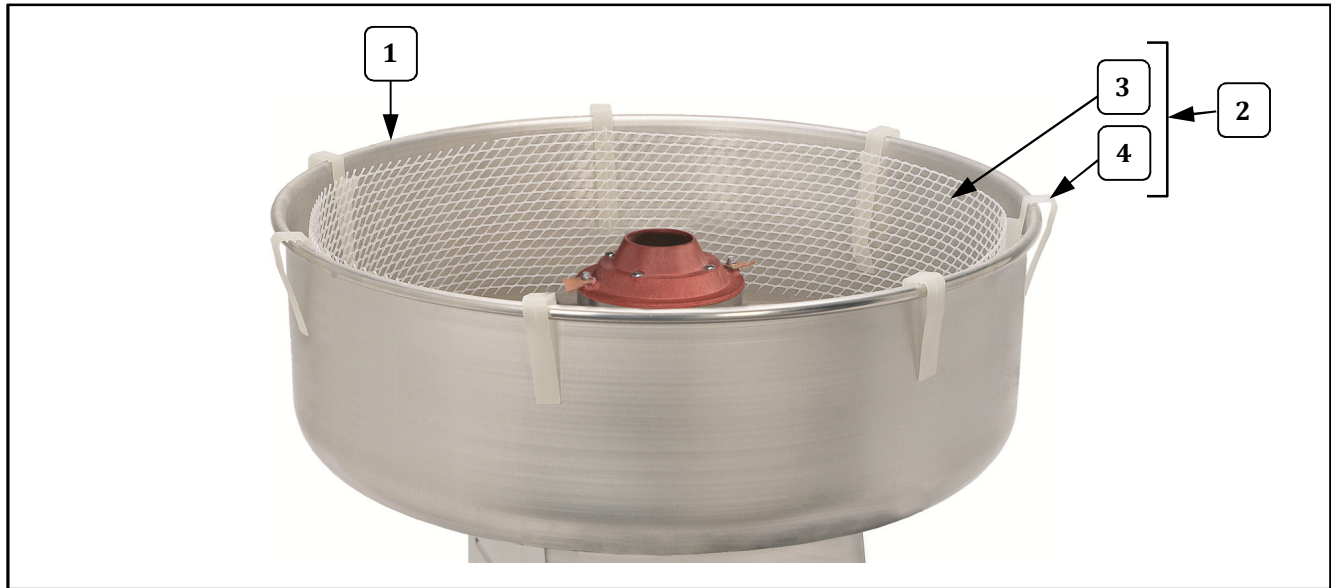


Item	Part Description	Qty.	Part Number			
			3017	3017SR	3017SS	3077 (3077C)
1	FLOSS PAN, ALUMINUM	1	42040	42040	42040	42040
2	WHIRLGRIP STABILIZER (Includes Floss Stabilizer and Clips)	1	3010	3010	3010	3010
3	FLOSS STABILIZER (Web)	1	43032	43032	43032	43032
4	WHIRLGRIP CLIPS	6	77470	77470	77470	77470

## Parts List - Floss Machine Exterior View

Item	Part Description	Qty.	Part Number			
			3017	3017SR	3017SS	3077 (3077C)
1	SPINNER HEAD COMPLETE 5IN	1	42283	42283	42283	42561
2	INSP.COVER,FOUR BRUSH	2	42381	42381	42381	42381
3	8-32 X 1/2 SLOTTED H W H	4	49379	49379	49379	49379
4	BELL HOUSING, DUAL BRUSH	1	42190	42190	42190	42190
5	ACORN NUT 1/4-20	3	49068	49068	49068	49068
6	HANDLE	2	67069	67069	67069	67069
7	BOTTOM PLATE NS	1	42448	42448	42448	42448
8	STRAIN RELIEF #SR-6P3-4	1	76026	76026	76026	76026
9	LEAD-IN CORD 15 AMP PLUG	1	22038	22038	22038	87085 (3077)
	LEAD-IN CORD 20 AMP PLUG	1				47580 (3077C)
10	SWITCH, LIGHTED ROCKER GR	2	42798	42798	42798	42798
11	KNOB, ELECTRONIC HEAT CONTROL	1	42556	42556	42556	42556
12	NAMEPLATE	1	12600	12600	12600	12608
13	RUBBER FEET 3/4IN HIGH	8	47155	47155	47155	47155
14	KNOB SHIPPING BRACKET	2	42150	42150	42150	42150
15	SHIPPING BRACKET ASSY	1	69839	69839	69839	69839
16	BRUSH HOLDER ASSY RED/WHT (Includes Brushes, Caps, Holders)	2	42382W	42382W	42382W	42382W
17	CAP, BRUSH HOLDER	4	42138	42138	42138	42138
18	CARBON BRUSH	4	55007	55007	55007	55007
19	DUAL BRUSH HOLDER W/LEADS	2	42436W	42436W	42436W	42436W

## Floss Pan and Whirlgrip Stabilizer

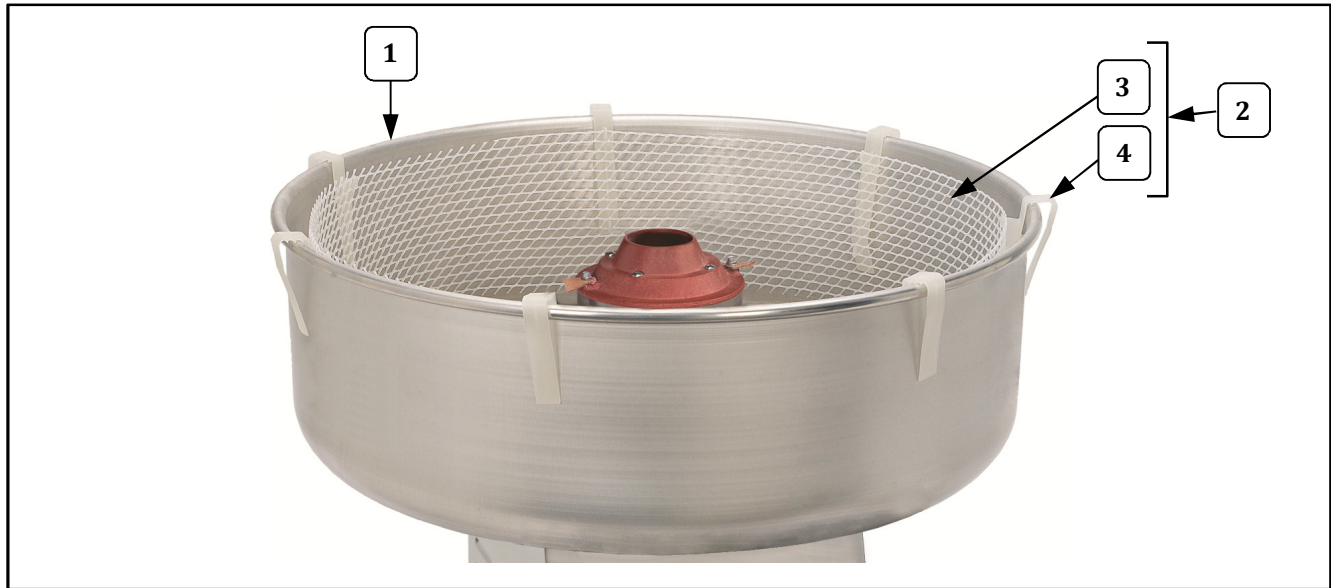


Item	Part Description	Qty.	Part Number			
			3017	3017SR	3017SS	3077 (3077C)
1	FLOSS PAN, ALUMINUM	1	42040	42040	42040	42040
2	WHIRLGRIP STABILIZER (Includes Floss Stabilizer and Clips)	1	3010	3010	3010	3010
3	FLOSS STABILIZER (Web)	1	43032	43032	43032	43032
4	WHIRLGRIP CLIPS	6	77470	77470	77470	77470

## Parts List - Floss Machine Exterior View

Item	Part Description	Qty.	Part Number			
			3017	3017SR	3017SS	3077 (3077C)
1	SPINNER HEAD COMPLETE 5IN	1	42283	42283	42283	42561
2	INSP.COVER,FOUR BRUSH	2	42381	42381	42381	42381
3	8-32 X 1/2 SLOTTED H W H	4	49379	49379	49379	49379
4	BELL HOUSING, DUAL BRUSH	1	42190	42190	42190	42190
5	ACORN NUT 1/4-20	3	49068	49068	49068	49068
6	HANDLE	2	67069	67069	67069	67069
7	BOTTOM PLATE NS	1	42448	42448	42448	42448
8	STRAIN RELIEF #SR-6P3-4	1	76026	76026	76026	76026
9	LEAD-IN CORD 15 AMP PLUG	1	22038	22038	22038	87085 (3077)
	LEAD-IN CORD 20 AMP PLUG	1				47580 (3077C)
10	SWITCH, LIGHTED ROCKER GR	2	42798	42798	42798	42798
11	KNOB, ELECTRONIC HEAT CONTROL	1	42556	42556	42556	42556
12	NAMEPLATE	1	12600	12600	12600	12608
13	RUBBER FEET 3/4IN HIGH	8	47155	47155	47155	47155
14	KNOB SHIPPING BRACKET	2	42150	42150	42150	42150
15	SHIPPING BRACKET ASSY	1	69839	69839	69839	69839
16	BRUSH HOLDER ASSY RED/WHT (Includes Brushes, Caps, Holders)	2	42382W	42382W	42382W	42382W
17	CAP, BRUSH HOLDER	4	42138	42138	42138	42138
18	CARBON BRUSH	4	55007	55007	55007	55007
19	DUAL BRUSH HOLDER W/LEADS	2	42436W	42436W	42436W	42436W

## Floss Pan and Whirlgrip Stabilizer

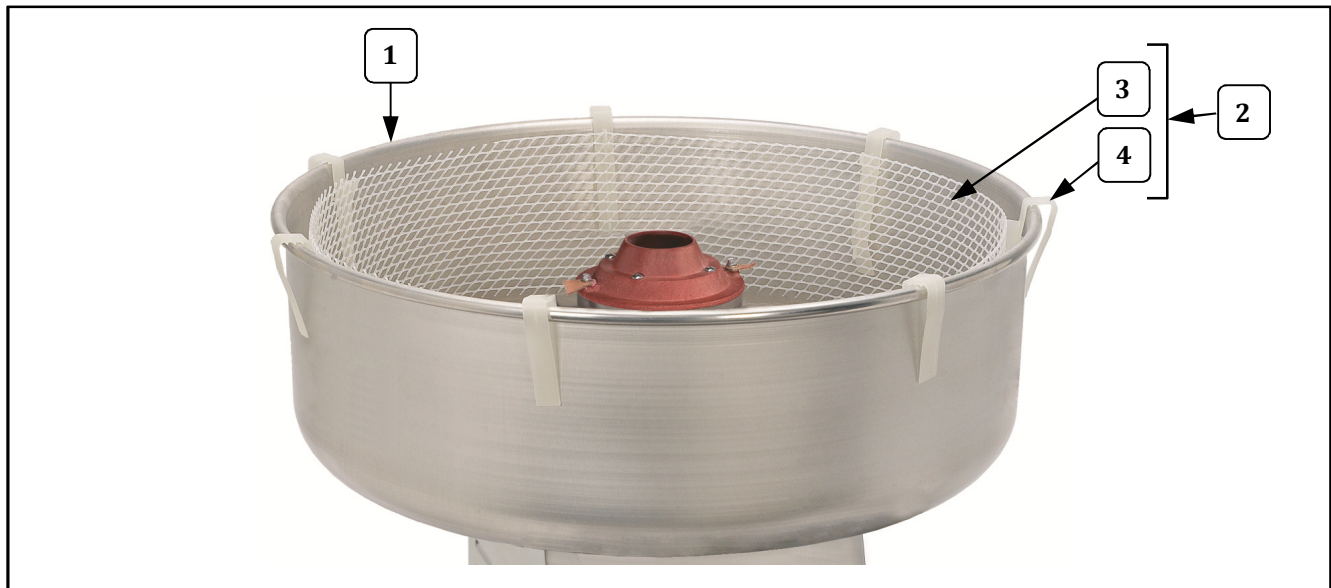


Item	Part Description	Qty.	Part Number			
			3017	3017SR	3017SS	3077 (3077C)
1	FLOSS PAN, ALUMINUM	1	42040	42040	42040	42040
2	WHIRLGRIP STABILIZER (Includes Floss Stabilizer and Clips)	1	3010	3010	3010	3010
3	FLOSS STABILIZER (Web)	1	43032	43032	43032	43032
4	WHIRLGRIP CLIPS	6	77470	77470	77470	77470

## Parts List - Floss Machine Exterior View

Item	Part Description	Qty.	Part Number			
			3017	3017SR	3017SS	3077 (3077C)
1	SPINNER HEAD COMPLETE 5IN	1	42283	42283	42283	42561
2	INSP.COVER,FOUR BRUSH	2	42381	42381	42381	42381
3	8-32 X 1/2 SLOTTED H W H	4	49379	49379	49379	49379
4	BELL HOUSING, DUAL BRUSH	1	42190	42190	42190	42190
5	ACORN NUT 1/4-20	3	49068	49068	49068	49068
6	HANDLE	2	67069	67069	67069	67069
7	BOTTOM PLATE NS	1	42448	42448	42448	42448
8	STRAIN RELIEF #SR-6P3-4	1	76026	76026	76026	76026
9	LEAD-IN CORD 15 AMP PLUG	1	22038	22038	22038	87085 (3077)
	LEAD-IN CORD 20 AMP PLUG	1				47580 (3077C)
10	SWITCH, LIGHTED ROCKER GR	2	42798	42798	42798	42798
11	KNOB, ELECTRONIC HEAT CONTROL	1	42556	42556	42556	42556
12	NAMEPLATE	1	12600	12600	12600	12608
13	RUBBER FEET 3/4IN HIGH	8	47155	47155	47155	47155
14	KNOB SHIPPING BRACKET	2	42150	42150	42150	42150
15	SHIPPING BRACKET ASSY	1	69839	69839	69839	69839
16	BRUSH HOLDER ASSY RED/WHT (Includes Brushes, Caps, Holders)	2	42382W	42382W	42382W	42382W
17	CAP, BRUSH HOLDER	4	42138	42138	42138	42138
18	CARBON BRUSH	4	55007	55007	55007	55007
19	DUAL BRUSH HOLDER W/LEADS	2	42436W	42436W	42436W	42436W

## Floss Pan and Whirlgrip Stabilizer

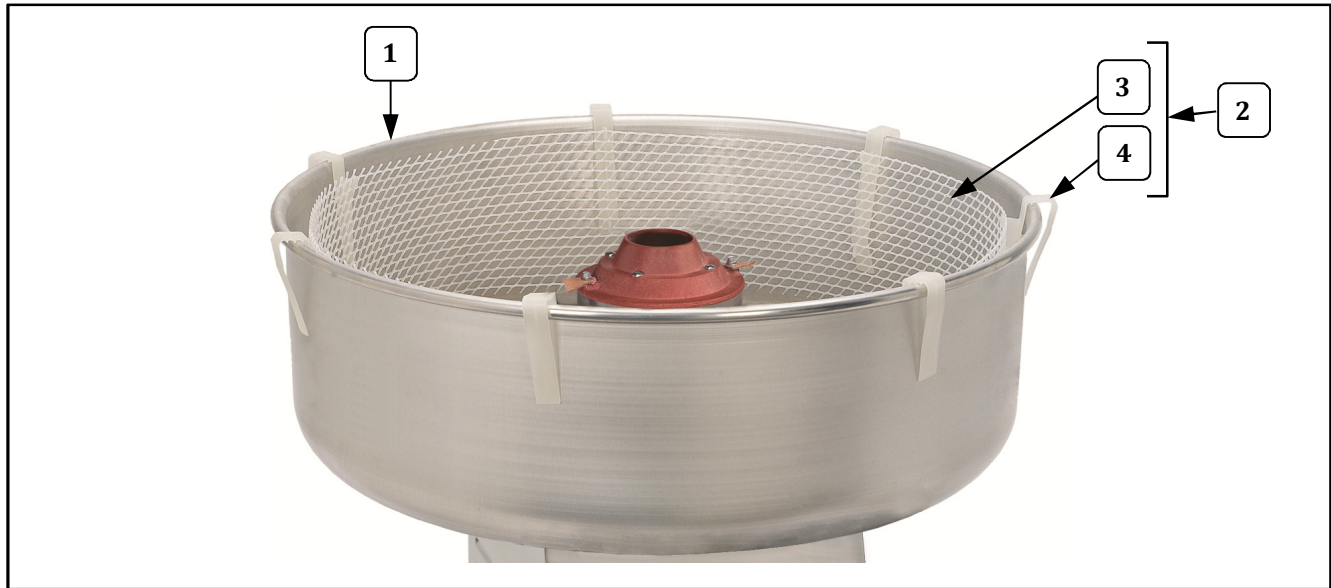


Item	Part Description	Qty.	Part Number			
			3017	3017SR	3017SS	3077 (3077C)
1	FLOSS PAN, ALUMINUM	1	42040	42040	42040	42040
2	WHIRLGRIP STABILIZER (Includes Floss Stabilizer and Clips)	1	3010	3010	3010	3010
3	FLOSS STABILIZER (Web)	1	43032	43032	43032	43032
4	WHIRLGRIP CLIPS	6	77470	77470	77470	77470

## Parts List - Floss Machine Exterior View

Item	Part Description	Qty.	Part Number			
			3017	3017SR	3017SS	3077 (3077C)
1	SPINNER HEAD COMPLETE 5IN	1	42283	42283	42283	42561
2	INSP.COVER,FOUR BRUSH	2	42381	42381	42381	42381
3	8-32 X 1/2 SLOTTED H W H	4	49379	49379	49379	49379
4	BELL HOUSING, DUAL BRUSH	1	42190	42190	42190	42190
5	ACORN NUT 1/4-20	3	49068	49068	49068	49068
6	HANDLE	2	67069	67069	67069	67069
7	BOTTOM PLATE NS	1	42448	42448	42448	42448
8	STRAIN RELIEF #SR-6P3-4	1	76026	76026	76026	76026
9	LEAD-IN CORD 15 AMP PLUG	1	22038	22038	22038	87085 (3077)
	LEAD-IN CORD 20 AMP PLUG	1				47580 (3077C)
10	SWITCH, LIGHTED ROCKER GR	2	42798	42798	42798	42798
11	KNOB, ELECTRONIC HEAT CONTROL	1	42556	42556	42556	42556
12	NAMEPLATE	1	12600	12600	12600	12608
13	RUBBER FEET 3/4IN HIGH	8	47155	47155	47155	47155
14	KNOB SHIPPING BRACKET	2	42150	42150	42150	42150
15	SHIPPING BRACKET ASSY	1	69839	69839	69839	69839
16	BRUSH HOLDER ASSY RED/WHT (Includes Brushes, Caps, Holders)	2	42382W	42382W	42382W	42382W
17	CAP, BRUSH HOLDER	4	42138	42138	42138	42138
18	CARBON BRUSH	4	55007	55007	55007	55007
19	DUAL BRUSH HOLDER W/LEADS	2	42436W	42436W	42436W	42436W

## Floss Pan and Whirlgrip Stabilizer

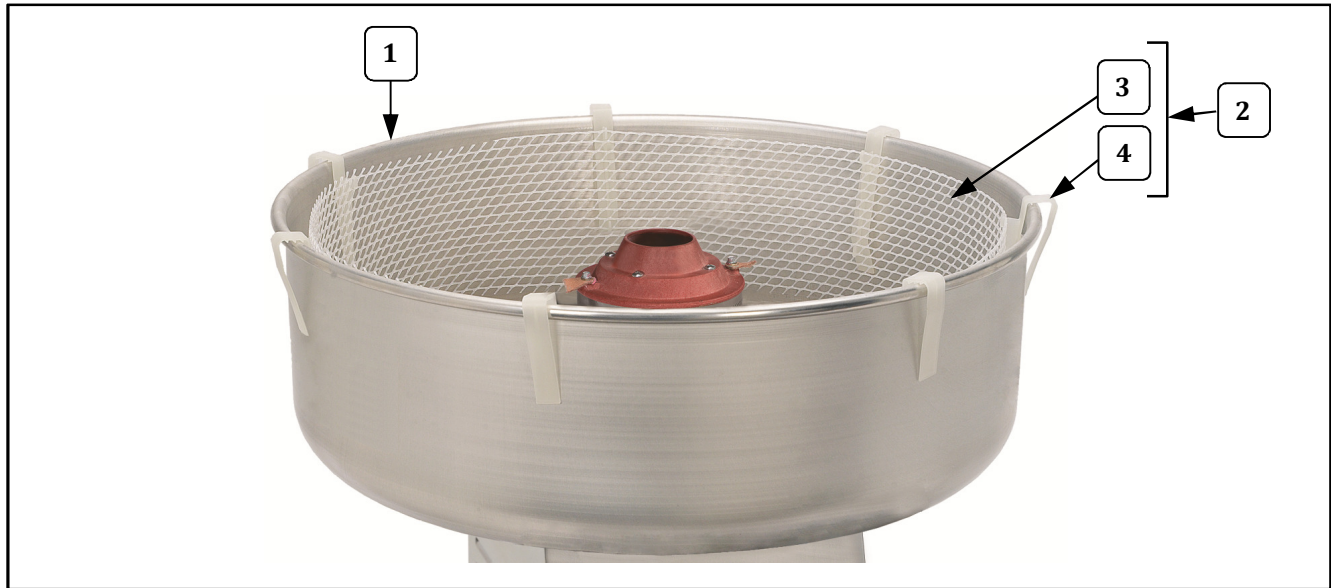


Item	Part Description	Qty.	Part Number			
			3017	3017SR	3017SS	3077 (3077C)
1	FLOSS PAN, ALUMINUM	1	42040	42040	42040	42040
2	WHIRLGRIP STABILIZER (Includes Floss Stabilizer and Clips)	1	3010	3010	3010	3010
3	FLOSS STABILIZER (Web)	1	43032	43032	43032	43032
4	WHIRLGRIP CLIPS	6	77470	77470	77470	77470

## Parts List - Floss Machine Exterior View

Item	Part Description	Qty.	Part Number			
			3017	3017SR	3017SS	3077 (3077C)
1	SPINNER HEAD COMPLETE 5IN	1	42283	42283	42283	42561
2	INSP.COVER,FOUR BRUSH	2	42381	42381	42381	42381
3	8-32 X 1/2 SLOTTED H W H	4	49379	49379	49379	49379
4	BELL HOUSING, DUAL BRUSH	1	42190	42190	42190	42190
5	ACORN NUT 1/4-20	3	49068	49068	49068	49068
6	HANDLE	2	67069	67069	67069	67069
7	BOTTOM PLATE NS	1	42448	42448	42448	42448
8	STRAIN RELIEF #SR-6P3-4	1	76026	76026	76026	76026
9	LEAD-IN CORD 15 AMP PLUG	1	22038	22038	22038	87085 (3077)
	LEAD-IN CORD 20 AMP PLUG	1				47580 (3077C)
10	SWITCH, LIGHTED ROCKER GR	2	42798	42798	42798	42798
11	KNOB, ELECTRONIC HEAT CONTROL	1	42556	42556	42556	42556
12	NAMEPLATE	1	12600	12600	12600	12608
13	RUBBER FEET 3/4IN HIGH	8	47155	47155	47155	47155
14	KNOB SHIPPING BRACKET	2	42150	42150	42150	42150
15	SHIPPING BRACKET ASSY	1	69839	69839	69839	69839
16	BRUSH HOLDER ASSY RED/WHT (Includes Brushes, Caps, Holders)	2	42382W	42382W	42382W	42382W
17	CAP, BRUSH HOLDER	4	42138	42138	42138	42138
18	CARBON BRUSH	4	55007	55007	55007	55007
19	DUAL BRUSH HOLDER W/LEADS	2	42436W	42436W	42436W	42436W

## Floss Pan and Whirlgrip Stabilizer

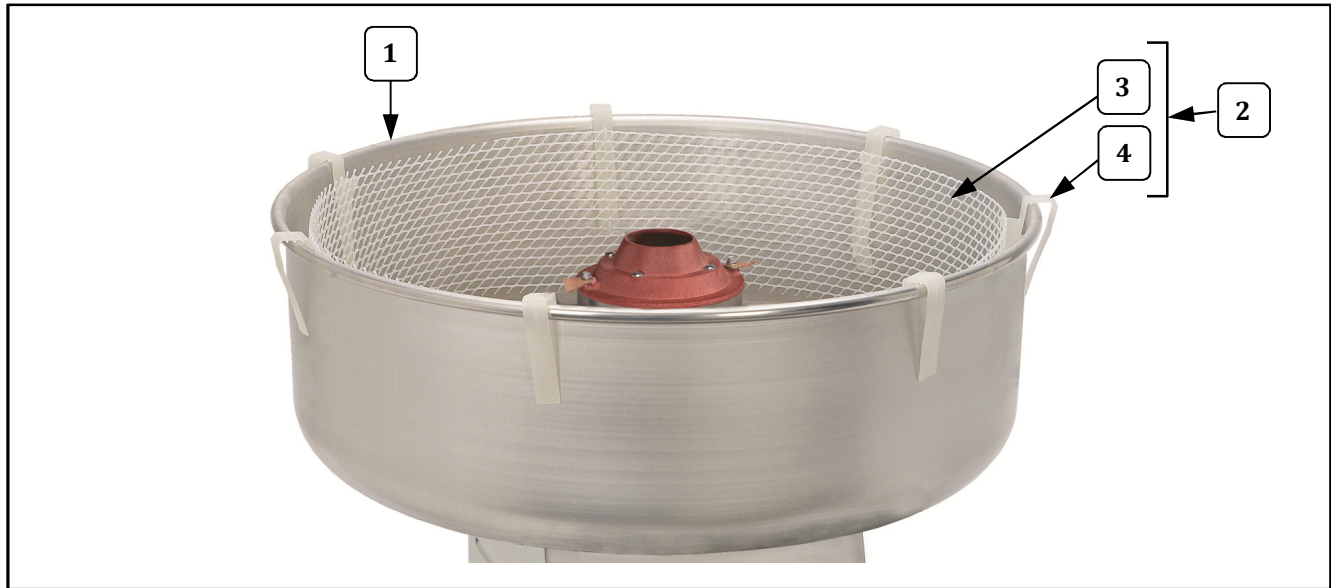


Item	Part Description	Qty.	Part Number			
			3017	3017SR	3017SS	3077 (3077C)
1	FLOSS PAN, ALUMINUM	1	42040	42040	42040	42040
2	WHIRLGRIP STABILIZER (Includes Floss Stabilizer and Clips)	1	3010	3010	3010	3010
3	FLOSS STABILIZER (Web)	1	43032	43032	43032	43032
4	WHIRLGRIP CLIPS	6	77470	77470	77470	77470

## Parts List - Floss Machine Exterior View

Item	Part Description	Qty.	Part Number			
			3017	3017SR	3017SS	3077 (3077C)
1	SPINNER HEAD COMPLETE 5IN	1	42283	42283	42283	42561
2	INSP.COVER,FOUR BRUSH	2	42381	42381	42381	42381
3	8-32 X 1/2 SLOTTED H W H	4	49379	49379	49379	49379
4	BELL HOUSING, DUAL BRUSH	1	42190	42190	42190	42190
5	ACORN NUT 1/4-20	3	49068	49068	49068	49068
6	HANDLE	2	67069	67069	67069	67069
7	BOTTOM PLATE NS	1	42448	42448	42448	42448
8	STRAIN RELIEF #SR-6P3-4	1	76026	76026	76026	76026
9	LEAD-IN CORD 15 AMP PLUG	1	22038	22038	22038	87085 (3077)
	LEAD-IN CORD 20 AMP PLUG	1				47580 (3077C)
10	SWITCH, LIGHTED ROCKER GR	2	42798	42798	42798	42798
11	KNOB, ELECTRONIC HEAT CONTROL	1	42556	42556	42556	42556
12	NAMEPLATE	1	12600	12600	12600	12608
13	RUBBER FEET 3/4IN HIGH	8	47155	47155	47155	47155
14	KNOB SHIPPING BRACKET	2	42150	42150	42150	42150
15	SHIPPING BRACKET ASSY	1	69839	69839	69839	69839
16	BRUSH HOLDER ASSY RED/WHT (Includes Brushes, Caps, Holders)	2	42382W	42382W	42382W	42382W
17	CAP, BRUSH HOLDER	4	42138	42138	42138	42138
18	CARBON BRUSH	4	55007	55007	55007	55007
19	DUAL BRUSH HOLDER W/LEADS	2	42436W	42436W	42436W	42436W

## Floss Pan and Whirlgrip Stabilizer

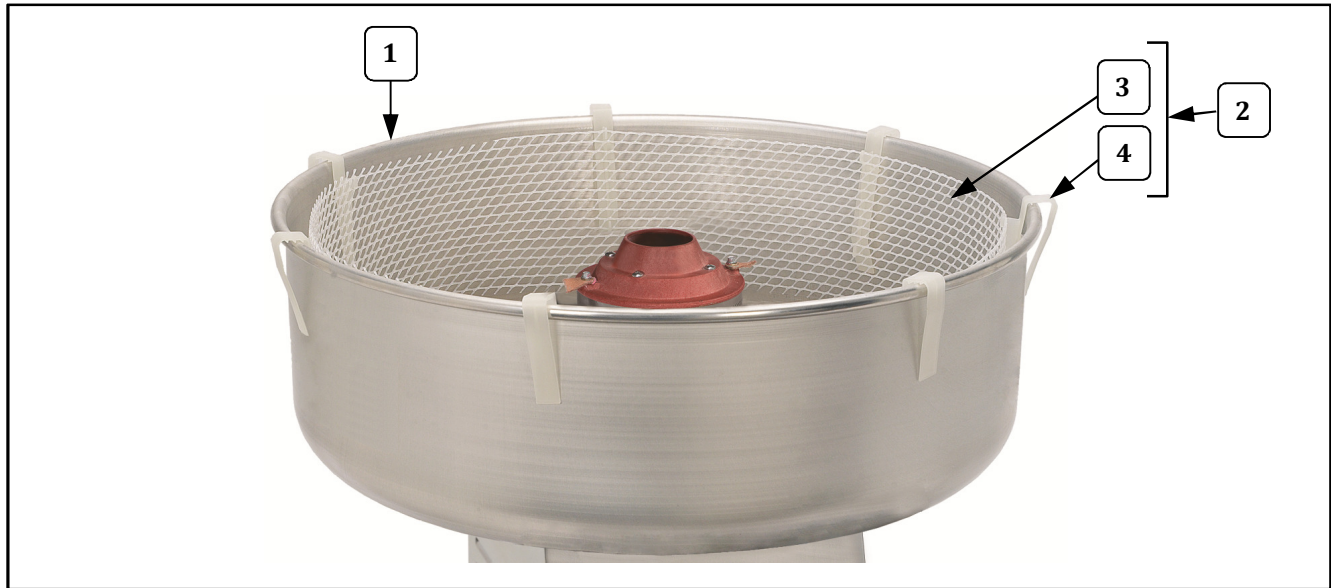


Item	Part Description	Qty.	Part Number			
			3017	3017SR	3017SS	3077 (3077C)
1	FLOSS PAN, ALUMINUM	1	42040	42040	42040	42040
2	WHIRLGRIP STABILIZER (Includes Floss Stabilizer and Clips)	1	3010	3010	3010	3010
3	FLOSS STABILIZER (Web)	1	43032	43032	43032	43032
4	WHIRLGRIP CLIPS	6	77470	77470	77470	77470

## Parts List - Floss Machine Exterior View

Item	Part Description	Qty.	Part Number			
			3017	3017SR	3017SS	3077 (3077C)
1	SPINNER HEAD COMPLETE 5IN	1	42283	42283	42283	42561
2	INSP.COVER,FOUR BRUSH	2	42381	42381	42381	42381
3	8-32 X 1/2 SLOTTED H W H	4	49379	49379	49379	49379
4	BELL HOUSING, DUAL BRUSH	1	42190	42190	42190	42190
5	ACORN NUT 1/4-20	3	49068	49068	49068	49068
6	HANDLE	2	67069	67069	67069	67069
7	BOTTOM PLATE NS	1	42448	42448	42448	42448
8	STRAIN RELIEF #SR-6P3-4	1	76026	76026	76026	76026
9	LEAD-IN CORD 15 AMP PLUG	1	22038	22038	22038	87085 (3077)
	LEAD-IN CORD 20 AMP PLUG	1				47580 (3077C)
10	SWITCH, LIGHTED ROCKER GR	2	42798	42798	42798	42798
11	KNOB, ELECTRONIC HEAT CONTROL	1	42556	42556	42556	42556
12	NAMEPLATE	1	12600	12600	12600	12608
13	RUBBER FEET 3/4IN HIGH	8	47155	47155	47155	47155
14	KNOB SHIPPING BRACKET	2	42150	42150	42150	42150
15	SHIPPING BRACKET ASSY	1	69839	69839	69839	69839
16	BRUSH HOLDER ASSY RED/WHT (Includes Brushes, Caps, Holders)	2	42382W	42382W	42382W	42382W
17	CAP, BRUSH HOLDER	4	42138	42138	42138	42138
18	CARBON BRUSH	4	55007	55007	55007	55007
19	DUAL BRUSH HOLDER W/LEADS	2	42436W	42436W	42436W	42436W

## Floss Pan and Whirlgrip Stabilizer

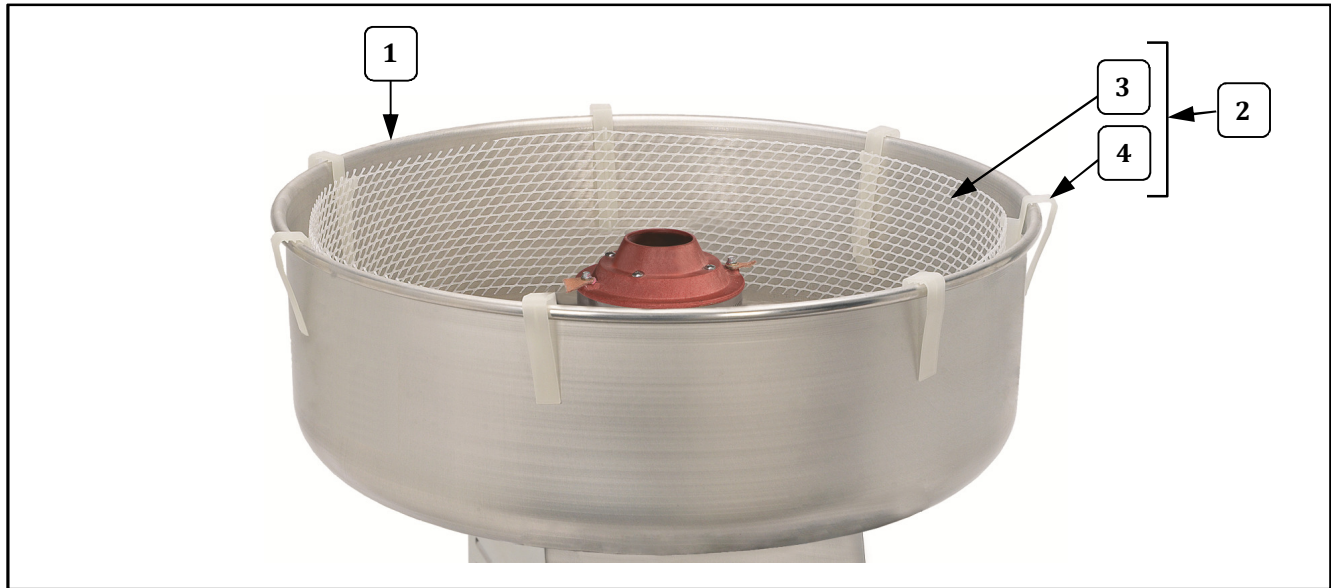


Item	Part Description	Qty.	Part Number			
			3017	3017SR	3017SS	3077 (3077C)
1	FLOSS PAN, ALUMINUM	1	42040	42040	42040	42040
2	WHIRLGRIP STABILIZER (Includes Floss Stabilizer and Clips)	1	3010	3010	3010	3010
3	FLOSS STABILIZER (Web)	1	43032	43032	43032	43032
4	WHIRLGRIP CLIPS	6	77470	77470	77470	77470

## Parts List - Floss Machine Exterior View

Item	Part Description	Qty.	Part Number			
			3017	3017SR	3017SS	3077 (3077C)
1	SPINNER HEAD COMPLETE 5IN	1	42283	42283	42283	42561
2	INSP.COVER,FOUR BRUSH	2	42381	42381	42381	42381
3	8-32 X 1/2 SLOTTED H W H	4	49379	49379	49379	49379
4	BELL HOUSING, DUAL BRUSH	1	42190	42190	42190	42190
5	ACORN NUT 1/4-20	3	49068	49068	49068	49068
6	HANDLE	2	67069	67069	67069	67069
7	BOTTOM PLATE NS	1	42448	42448	42448	42448
8	STRAIN RELIEF #SR-6P3-4	1	76026	76026	76026	76026
9	LEAD-IN CORD 15 AMP PLUG	1	22038	22038	22038	87085 (3077)
	LEAD-IN CORD 20 AMP PLUG	1				47580 (3077C)
10	SWITCH, LIGHTED ROCKER GR	2	42798	42798	42798	42798
11	KNOB, ELECTRONIC HEAT CONTROL	1	42556	42556	42556	42556
12	NAMEPLATE	1	12600	12600	12600	12608
13	RUBBER FEET 3/4IN HIGH	8	47155	47155	47155	47155
14	KNOB SHIPPING BRACKET	2	42150	42150	42150	42150
15	SHIPPING BRACKET ASSY	1	69839	69839	69839	69839
16	BRUSH HOLDER ASSY RED/WHT (Includes Brushes, Caps, Holders)	2	42382W	42382W	42382W	42382W
17	CAP, BRUSH HOLDER	4	42138	42138	42138	42138
18	CARBON BRUSH	4	55007	55007	55007	55007
19	DUAL BRUSH HOLDER W/LEADS	2	42436W	42436W	42436W	42436W

## Floss Pan and Whirlgrip Stabilizer

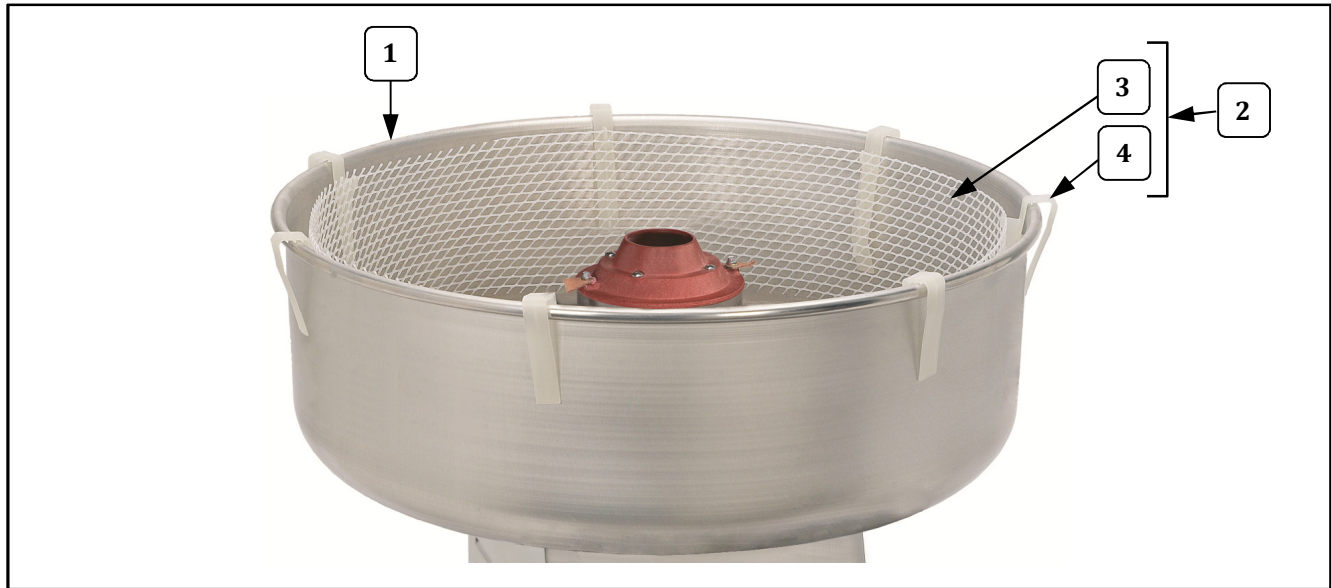


Item	Part Description	Qty.	Part Number			
			3017	3017SR	3017SS	3077 (3077C)
1	FLOSS PAN, ALUMINUM	1	42040	42040	42040	42040
2	WHIRLGRIP STABILIZER (Includes Floss Stabilizer and Clips)	1	3010	3010	3010	3010
3	FLOSS STABILIZER (Web)	1	43032	43032	43032	43032
4	WHIRLGRIP CLIPS	6	77470	77470	77470	77470

## Parts List - Floss Machine Exterior View

Item	Part Description	Qty.	Part Number			
			3017	3017SR	3017SS	3077 (3077C)
1	SPINNER HEAD COMPLETE 5IN	1	42283	42283	42283	42561
2	INSP.COVER,FOUR BRUSH	2	42381	42381	42381	42381
3	8-32 X 1/2 SLOTTED H W H	4	49379	49379	49379	49379
4	BELL HOUSING, DUAL BRUSH	1	42190	42190	42190	42190
5	ACORN NUT 1/4-20	3	49068	49068	49068	49068
6	HANDLE	2	67069	67069	67069	67069
7	BOTTOM PLATE NS	1	42448	42448	42448	42448
8	STRAIN RELIEF #SR-6P3-4	1	76026	76026	76026	76026
9	LEAD-IN CORD 15 AMP PLUG	1	22038	22038	22038	87085 (3077)
	LEAD-IN CORD 20 AMP PLUG	1				47580 (3077C)
10	SWITCH, LIGHTED ROCKER GR	2	42798	42798	42798	42798
11	KNOB, ELECTRONIC HEAT CONTROL	1	42556	42556	42556	42556
12	NAMEPLATE	1	12600	12600	12600	12608
13	RUBBER FEET 3/4IN HIGH	8	47155	47155	47155	47155
14	KNOB SHIPPING BRACKET	2	42150	42150	42150	42150
15	SHIPPING BRACKET ASSY	1	69839	69839	69839	69839
16	BRUSH HOLDER ASSY RED/WHT (Includes Brushes, Caps, Holders)	2	42382W	42382W	42382W	42382W
17	CAP, BRUSH HOLDER	4	42138	42138	42138	42138
18	CARBON BRUSH	4	55007	55007	55007	55007
19	DUAL BRUSH HOLDER W/LEADS	2	42436W	42436W	42436W	42436W

## Floss Pan and Whirlgrip Stabilizer

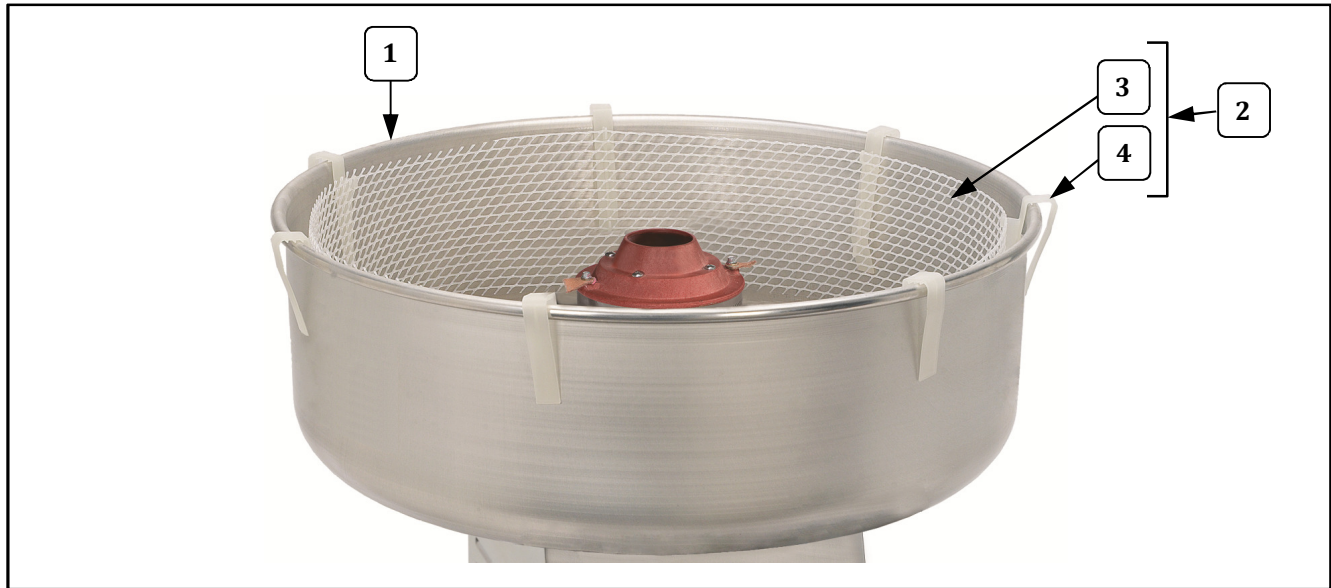


Item	Part Description	Qty.	Part Number			
			3017	3017SR	3017SS	3077 (3077C)
1	FLOSS PAN, ALUMINUM	1	42040	42040	42040	42040
2	WHIRLGRIP STABILIZER (Includes Floss Stabilizer and Clips)	1	3010	3010	3010	3010
3	FLOSS STABILIZER (Web)	1	43032	43032	43032	43032
4	WHIRLGRIP CLIPS	6	77470	77470	77470	77470

## Parts List - Floss Machine Exterior View

Item	Part Description	Qty.	Part Number			
			3017	3017SR	3017SS	3077 (3077C)
1	SPINNER HEAD COMPLETE 5IN	1	42283	42283	42283	42561
2	INSP.COVER,FOUR BRUSH	2	42381	42381	42381	42381
3	8-32 X 1/2 SLOTTED H W H	4	49379	49379	49379	49379
4	BELL HOUSING, DUAL BRUSH	1	42190	42190	42190	42190
5	ACORN NUT 1/4-20	3	49068	49068	49068	49068
6	HANDLE	2	67069	67069	67069	67069
7	BOTTOM PLATE NS	1	42448	42448	42448	42448
8	STRAIN RELIEF #SR-6P3-4	1	76026	76026	76026	76026
9	LEAD-IN CORD 15 AMP PLUG	1	22038	22038	22038	87085 (3077)
	LEAD-IN CORD 20 AMP PLUG	1				47580 (3077C)
10	SWITCH, LIGHTED ROCKER GR	2	42798	42798	42798	42798
11	KNOB, ELECTRONIC HEAT CONTROL	1	42556	42556	42556	42556
12	NAMEPLATE	1	12600	12600	12600	12608
13	RUBBER FEET 3/4IN HIGH	8	47155	47155	47155	47155
14	KNOB SHIPPING BRACKET	2	42150	42150	42150	42150
15	SHIPPING BRACKET ASSY	1	69839	69839	69839	69839
16	BRUSH HOLDER ASSY RED/WHT (Includes Brushes, Caps, Holders)	2	42382W	42382W	42382W	42382W
17	CAP, BRUSH HOLDER	4	42138	42138	42138	42138
18	CARBON BRUSH	4	55007	55007	55007	55007
19	DUAL BRUSH HOLDER W/LEADS	2	42436W	42436W	42436W	42436W

## Floss Pan and Whirlgrip Stabilizer

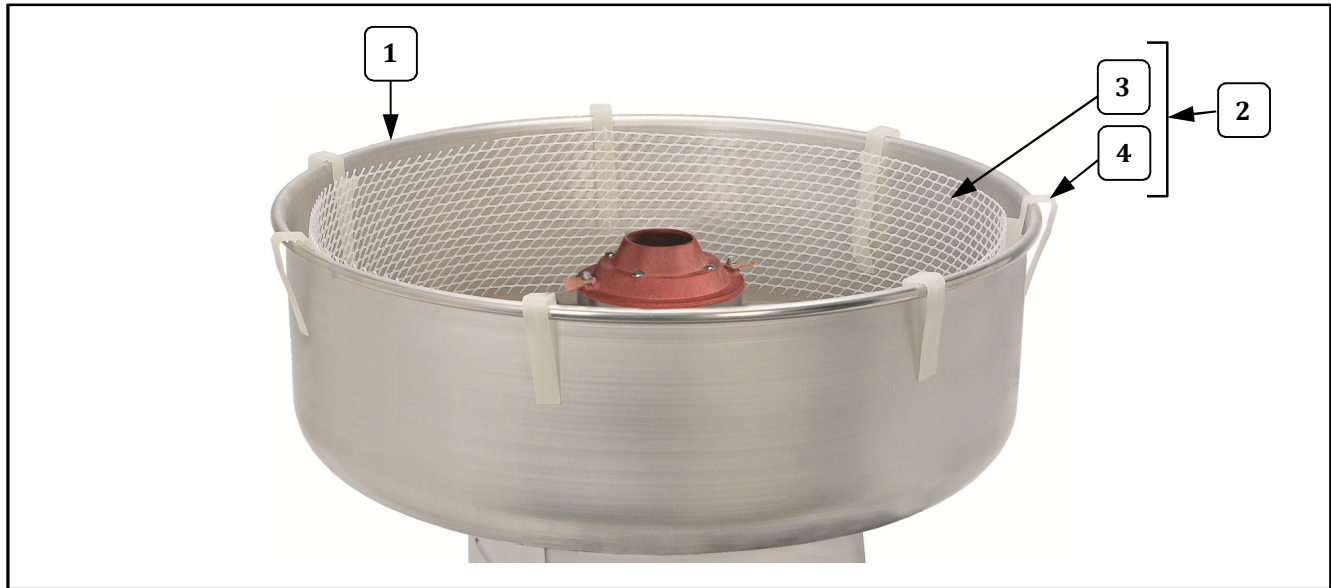


Item	Part Description	Qty.	Part Number			
			3017	3017SR	3017SS	3077 (3077C)
1	FLOSS PAN, ALUMINUM	1	42040	42040	42040	42040
2	WHIRLGRIP STABILIZER (Includes Floss Stabilizer and Clips)	1	3010	3010	3010	3010
3	FLOSS STABILIZER (Web)	1	43032	43032	43032	43032
4	WHIRLGRIP CLIPS	6	77470	77470	77470	77470

## Parts List - Floss Machine Exterior View

Item	Part Description	Qty.	Part Number			
			3017	3017SR	3017SS	3077 (3077C)
1	SPINNER HEAD COMPLETE 5IN	1	42283	42283	42283	42561
2	INSP.COVER,FOUR BRUSH	2	42381	42381	42381	42381
3	8-32 X 1/2 SLOTTED H W H	4	49379	49379	49379	49379
4	BELL HOUSING, DUAL BRUSH	1	42190	42190	42190	42190
5	ACORN NUT 1/4-20	3	49068	49068	49068	49068
6	HANDLE	2	67069	67069	67069	67069
7	BOTTOM PLATE NS	1	42448	42448	42448	42448
8	STRAIN RELIEF #SR-6P3-4	1	76026	76026	76026	76026
9	LEAD-IN CORD 15 AMP PLUG	1	22038	22038	22038	87085 (3077)
	LEAD-IN CORD 20 AMP PLUG	1				47580 (3077C)
10	SWITCH, LIGHTED ROCKER GR	2	42798	42798	42798	42798
11	KNOB, ELECTRONIC HEAT CONTROL	1	42556	42556	42556	42556
12	NAMEPLATE	1	12600	12600	12600	12608
13	RUBBER FEET 3/4IN HIGH	8	47155	47155	47155	47155
14	KNOB SHIPPING BRACKET	2	42150	42150	42150	42150
15	SHIPPING BRACKET ASSY	1	69839	69839	69839	69839
16	BRUSH HOLDER ASSY RED/WHT (Includes Brushes, Caps, Holders)	2	42382W	42382W	42382W	42382W
17	CAP, BRUSH HOLDER	4	42138	42138	42138	42138
18	CARBON BRUSH	4	55007	55007	55007	55007
19	DUAL BRUSH HOLDER W/LEADS	2	42436W	42436W	42436W	42436W

## Floss Pan and Whirlgrip Stabilizer

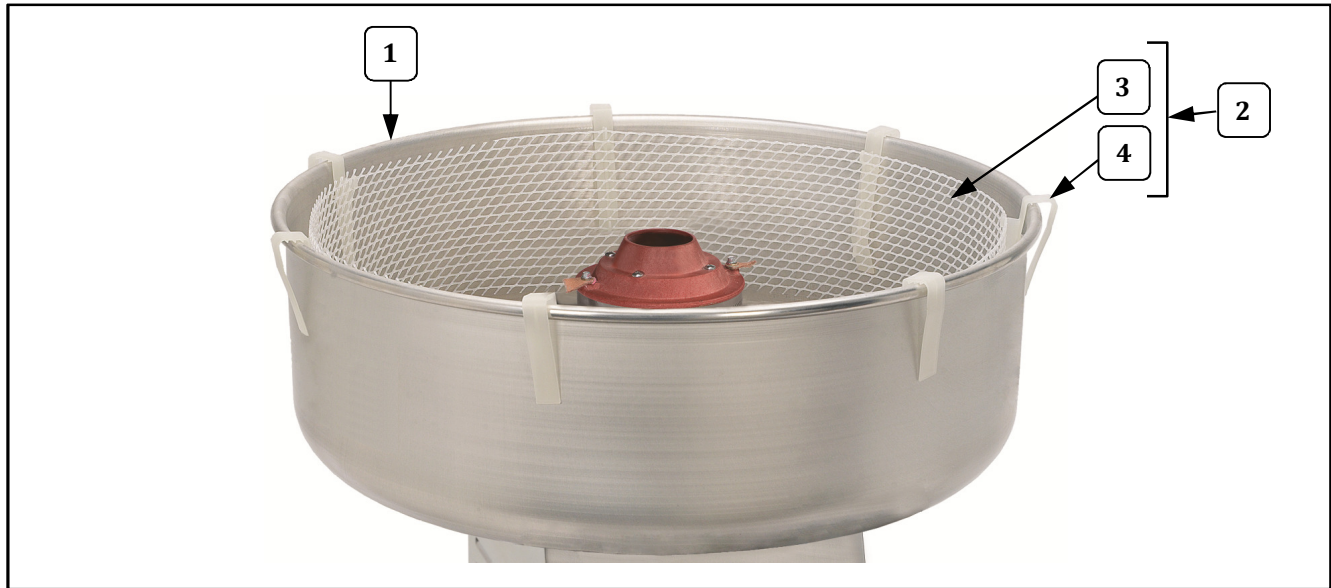


Item	Part Description	Qty.	Part Number			
			3017	3017SR	3017SS	3077 (3077C)
1	FLOSS PAN, ALUMINUM	1	42040	42040	42040	42040
2	WHIRLGRIP STABILIZER (Includes Floss Stabilizer and Clips)	1	3010	3010	3010	3010
3	FLOSS STABILIZER (Web)	1	43032	43032	43032	43032
4	WHIRLGRIP CLIPS	6	77470	77470	77470	77470

## Parts List - Floss Machine Exterior View

Item	Part Description	Qty.	Part Number			
			3017	3017SR	3017SS	3077 (3077C)
1	SPINNER HEAD COMPLETE 5IN	1	42283	42283	42283	42561
2	INSP.COVER,FOUR BRUSH	2	42381	42381	42381	42381
3	8-32 X 1/2 SLOTTED H W H	4	49379	49379	49379	49379
4	BELL HOUSING, DUAL BRUSH	1	42190	42190	42190	42190
5	ACORN NUT 1/4-20	3	49068	49068	49068	49068
6	HANDLE	2	67069	67069	67069	67069
7	BOTTOM PLATE NS	1	42448	42448	42448	42448
8	STRAIN RELIEF #SR-6P3-4	1	76026	76026	76026	76026
9	LEAD-IN CORD 15 AMP PLUG	1	22038	22038	22038	87085 (3077)
	LEAD-IN CORD 20 AMP PLUG	1				47580 (3077C)
10	SWITCH, LIGHTED ROCKER GR	2	42798	42798	42798	42798
11	KNOB, ELECTRONIC HEAT CONTROL	1	42556	42556	42556	42556
12	NAMEPLATE	1	12600	12600	12600	12608
13	RUBBER FEET 3/4IN HIGH	8	47155	47155	47155	47155
14	KNOB SHIPPING BRACKET	2	42150	42150	42150	42150
15	SHIPPING BRACKET ASSY	1	69839	69839	69839	69839
16	BRUSH HOLDER ASSY RED/WHT (Includes Brushes, Caps, Holders)	2	42382W	42382W	42382W	42382W
17	CAP, BRUSH HOLDER	4	42138	42138	42138	42138
18	CARBON BRUSH	4	55007	55007	55007	55007
19	DUAL BRUSH HOLDER W/LEADS	2	42436W	42436W	42436W	42436W

## Floss Pan and Whirlgrip Stabilizer

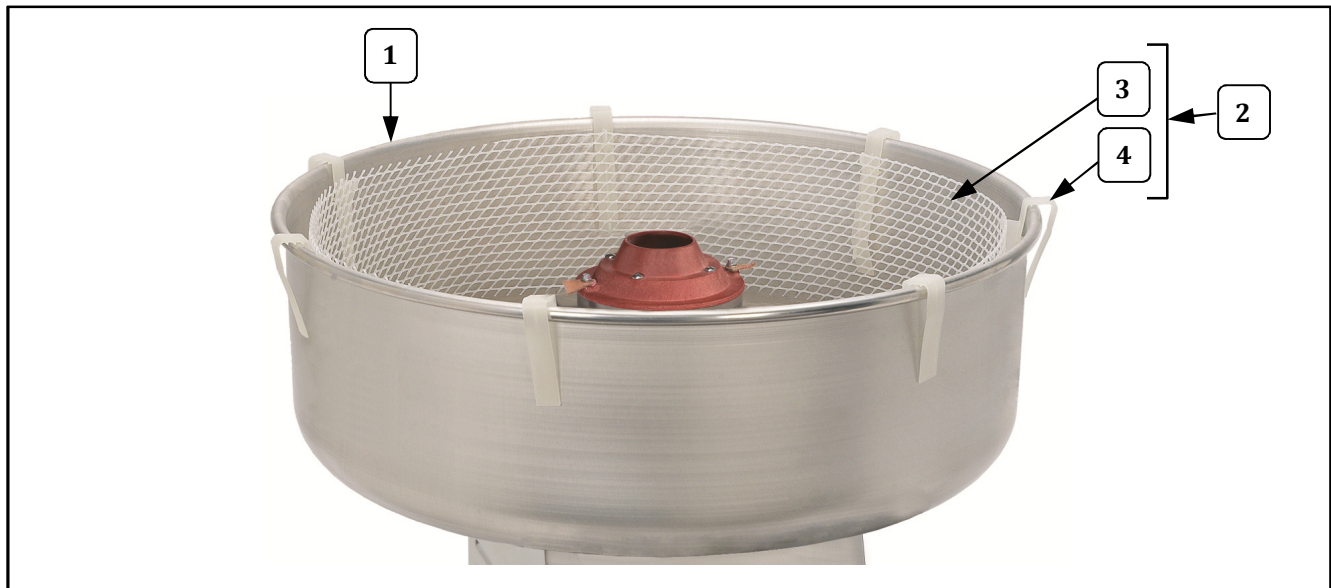


Item	Part Description	Qty.	Part Number			
			3017	3017SR	3017SS	3077 (3077C)
1	FLOSS PAN, ALUMINUM	1	42040	42040	42040	42040
2	WHIRLGRIP STABILIZER (Includes Floss Stabilizer and Clips)	1	3010	3010	3010	3010
3	FLOSS STABILIZER (Web)	1	43032	43032	43032	43032
4	WHIRLGRIP CLIPS	6	77470	77470	77470	77470

## Parts List - Floss Machine Exterior View

Item	Part Description	Qty.	Part Number			
			3017	3017SR	3017SS	3077 (3077C)
1	SPINNER HEAD COMPLETE 5IN	1	42283	42283	42283	42561
2	INSP.COVER,FOUR BRUSH	2	42381	42381	42381	42381
3	8-32 X 1/2 SLOTTED H W H	4	49379	49379	49379	49379
4	BELL HOUSING, DUAL BRUSH	1	42190	42190	42190	42190
5	ACORN NUT 1/4-20	3	49068	49068	49068	49068
6	HANDLE	2	67069	67069	67069	67069
7	BOTTOM PLATE NS	1	42448	42448	42448	42448
8	STRAIN RELIEF #SR-6P3-4	1	76026	76026	76026	76026
9	LEAD-IN CORD 15 AMP PLUG	1	22038	22038	22038	87085 (3077)
	LEAD-IN CORD 20 AMP PLUG	1				47580 (3077C)
10	SWITCH, LIGHTED ROCKER GR	2	42798	42798	42798	42798
11	KNOB, ELECTRONIC HEAT CONTROL	1	42556	42556	42556	42556
12	NAMEPLATE	1	12600	12600	12600	12608
13	RUBBER FEET 3/4IN HIGH	8	47155	47155	47155	47155
14	KNOB SHIPPING BRACKET	2	42150	42150	42150	42150
15	SHIPPING BRACKET ASSY	1	69839	69839	69839	69839
16	BRUSH HOLDER ASSY RED/WHT (Includes Brushes, Caps, Holders)	2	42382W	42382W	42382W	42382W
17	CAP, BRUSH HOLDER	4	42138	42138	42138	42138
18	CARBON BRUSH	4	55007	55007	55007	55007
19	DUAL BRUSH HOLDER W/LEADS	2	42436W	42436W	42436W	42436W

## Floss Pan and Whirlgrip Stabilizer

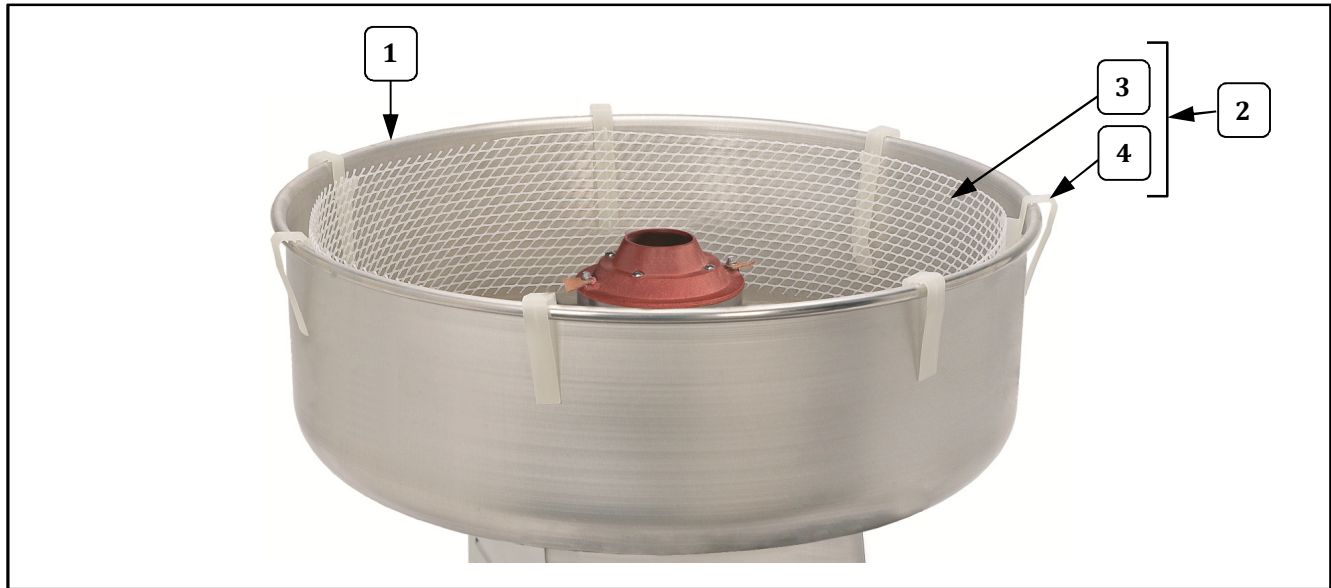


Item	Part Description	Qty.	Part Number			
			3017	3017SR	3017SS	3077 (3077C)
1	FLOSS PAN, ALUMINUM	1	42040	42040	42040	42040
2	WHIRLGRIP STABILIZER (Includes Floss Stabilizer and Clips)	1	3010	3010	3010	3010
3	FLOSS STABILIZER (Web)	1	43032	43032	43032	43032
4	WHIRLGRIP CLIPS	6	77470	77470	77470	77470

## Parts List - Floss Machine Exterior View

Item	Part Description	Qty.	Part Number			
			3017	3017SR	3017SS	3077 (3077C)
1	SPINNER HEAD COMPLETE 5IN	1	42283	42283	42283	42561
2	INSP.COVER,FOUR BRUSH	2	42381	42381	42381	42381
3	8-32 X 1/2 SLOTTED H W H	4	49379	49379	49379	49379
4	BELL HOUSING, DUAL BRUSH	1	42190	42190	42190	42190
5	ACORN NUT 1/4-20	3	49068	49068	49068	49068
6	HANDLE	2	67069	67069	67069	67069
7	BOTTOM PLATE NS	1	42448	42448	42448	42448
8	STRAIN RELIEF #SR-6P3-4	1	76026	76026	76026	76026
9	LEAD-IN CORD 15 AMP PLUG	1	22038	22038	22038	87085 (3077)
	LEAD-IN CORD 20 AMP PLUG	1				47580 (3077C)
10	SWITCH, LIGHTED ROCKER GR	2	42798	42798	42798	42798
11	KNOB, ELECTRONIC HEAT CONTROL	1	42556	42556	42556	42556
12	NAMEPLATE	1	12600	12600	12600	12608
13	RUBBER FEET 3/4IN HIGH	8	47155	47155	47155	47155
14	KNOB SHIPPING BRACKET	2	42150	42150	42150	42150
15	SHIPPING BRACKET ASSY	1	69839	69839	69839	69839
16	BRUSH HOLDER ASSY RED/WHT (Includes Brushes, Caps, Holders)	2	42382W	42382W	42382W	42382W
17	CAP, BRUSH HOLDER	4	42138	42138	42138	42138
18	CARBON BRUSH	4	55007	55007	55007	55007
19	DUAL BRUSH HOLDER W/LEADS	2	42436W	42436W	42436W	42436W

## Floss Pan and Whirlgrip Stabilizer

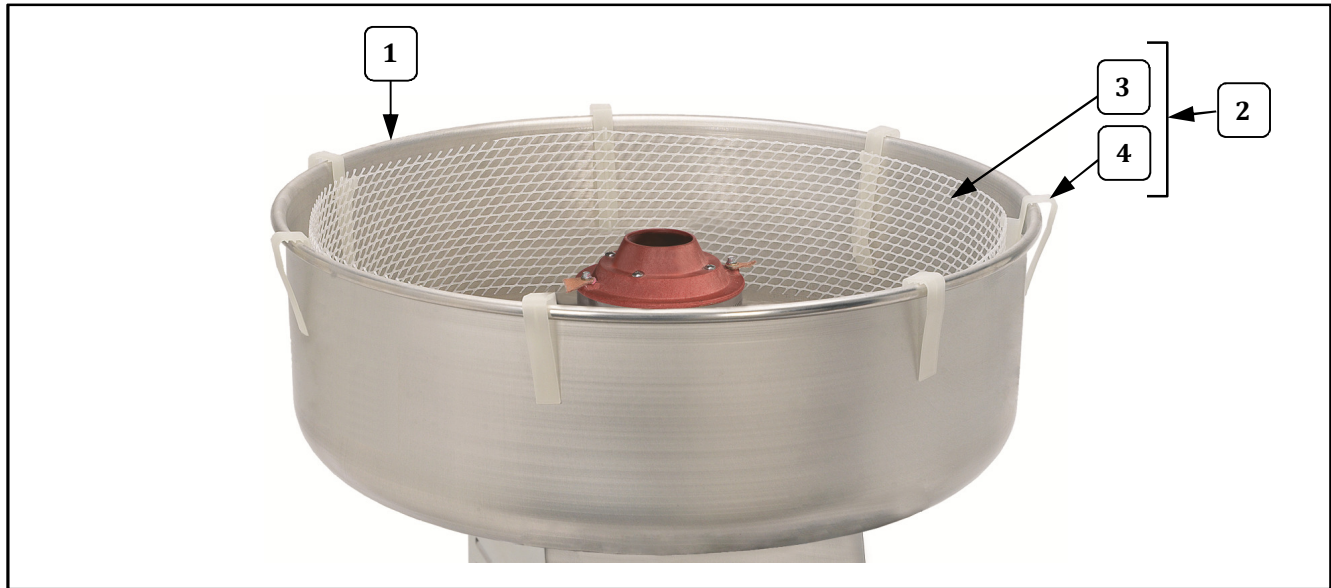


Item	Part Description	Qty.	Part Number			
			3017	3017SR	3017SS	3077 (3077C)
1	FLOSS PAN, ALUMINUM	1	42040	42040	42040	42040
2	WHIRLGRIP STABILIZER (Includes Floss Stabilizer and Clips)	1	3010	3010	3010	3010
3	FLOSS STABILIZER (Web)	1	43032	43032	43032	43032
4	WHIRLGRIP CLIPS	6	77470	77470	77470	77470

## Parts List - Floss Machine Exterior View

Item	Part Description	Qty.	Part Number			
			3017	3017SR	3017SS	3077 (3077C)
1	SPINNER HEAD COMPLETE 5IN	1	42283	42283	42283	42561
2	INSP.COVER,FOUR BRUSH	2	42381	42381	42381	42381
3	8-32 X 1/2 SLOTTED H W H	4	49379	49379	49379	49379
4	BELL HOUSING, DUAL BRUSH	1	42190	42190	42190	42190
5	ACORN NUT 1/4-20	3	49068	49068	49068	49068
6	HANDLE	2	67069	67069	67069	67069
7	BOTTOM PLATE NS	1	42448	42448	42448	42448
8	STRAIN RELIEF #SR-6P3-4	1	76026	76026	76026	76026
9	LEAD-IN CORD 15 AMP PLUG	1	22038	22038	22038	87085 (3077)
	LEAD-IN CORD 20 AMP PLUG	1				47580 (3077C)
10	SWITCH, LIGHTED ROCKER GR	2	42798	42798	42798	42798
11	KNOB, ELECTRONIC HEAT CONTROL	1	42556	42556	42556	42556
12	NAMEPLATE	1	12600	12600	12600	12608
13	RUBBER FEET 3/4IN HIGH	8	47155	47155	47155	47155
14	KNOB SHIPPING BRACKET	2	42150	42150	42150	42150
15	SHIPPING BRACKET ASSY	1	69839	69839	69839	69839
16	BRUSH HOLDER ASSY RED/WHT (Includes Brushes, Caps, Holders)	2	42382W	42382W	42382W	42382W
17	CAP, BRUSH HOLDER	4	42138	42138	42138	42138
18	CARBON BRUSH	4	55007	55007	55007	55007
19	DUAL BRUSH HOLDER W/LEADS	2	42436W	42436W	42436W	42436W

## Floss Pan and Whirlgrip Stabilizer

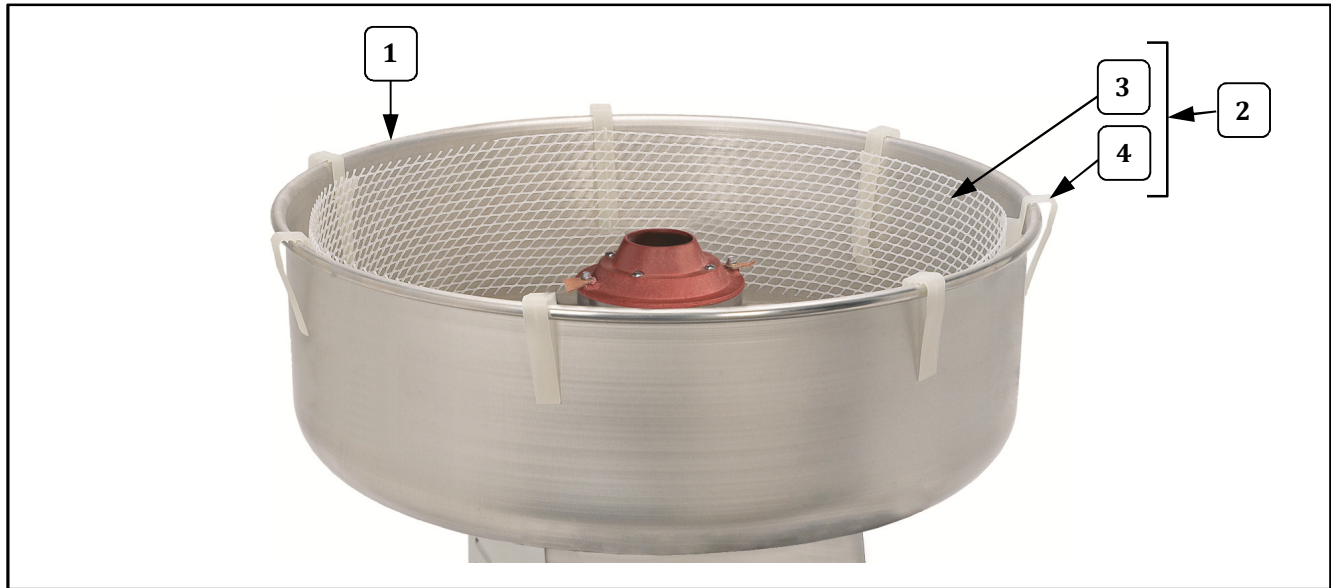


Item	Part Description	Qty.	Part Number			
			3017	3017SR	3017SS	3077 (3077C)
1	FLOSS PAN, ALUMINUM	1	42040	42040	42040	42040
2	WHIRLGRIP STABILIZER (Includes Floss Stabilizer and Clips)	1	3010	3010	3010	3010
3	FLOSS STABILIZER (Web)	1	43032	43032	43032	43032
4	WHIRLGRIP CLIPS	6	77470	77470	77470	77470

## Parts List - Floss Machine Exterior View

Item	Part Description	Qty.	Part Number			
			3017	3017SR	3017SS	3077 (3077C)
1	SPINNER HEAD COMPLETE 5IN	1	42283	42283	42283	42561
2	INSP.COVER,FOUR BRUSH	2	42381	42381	42381	42381
3	8-32 X 1/2 SLOTTED H W H	4	49379	49379	49379	49379
4	BELL HOUSING, DUAL BRUSH	1	42190	42190	42190	42190
5	ACORN NUT 1/4-20	3	49068	49068	49068	49068
6	HANDLE	2	67069	67069	67069	67069
7	BOTTOM PLATE NS	1	42448	42448	42448	42448
8	STRAIN RELIEF #SR-6P3-4	1	76026	76026	76026	76026
9	LEAD-IN CORD 15 AMP PLUG	1	22038	22038	22038	87085 (3077)
	LEAD-IN CORD 20 AMP PLUG	1				47580 (3077C)
10	SWITCH, LIGHTED ROCKER GR	2	42798	42798	42798	42798
11	KNOB, ELECTRONIC HEAT CONTROL	1	42556	42556	42556	42556
12	NAMEPLATE	1	12600	12600	12600	12608
13	RUBBER FEET 3/4IN HIGH	8	47155	47155	47155	47155
14	KNOB SHIPPING BRACKET	2	42150	42150	42150	42150
15	SHIPPING BRACKET ASSY	1	69839	69839	69839	69839
16	BRUSH HOLDER ASSY RED/WHT (Includes Brushes, Caps, Holders)	2	42382W	42382W	42382W	42382W
17	CAP, BRUSH HOLDER	4	42138	42138	42138	42138
18	CARBON BRUSH	4	55007	55007	55007	55007
19	DUAL BRUSH HOLDER W/LEADS	2	42436W	42436W	42436W	42436W

## Floss Pan and Whirlgrip Stabilizer

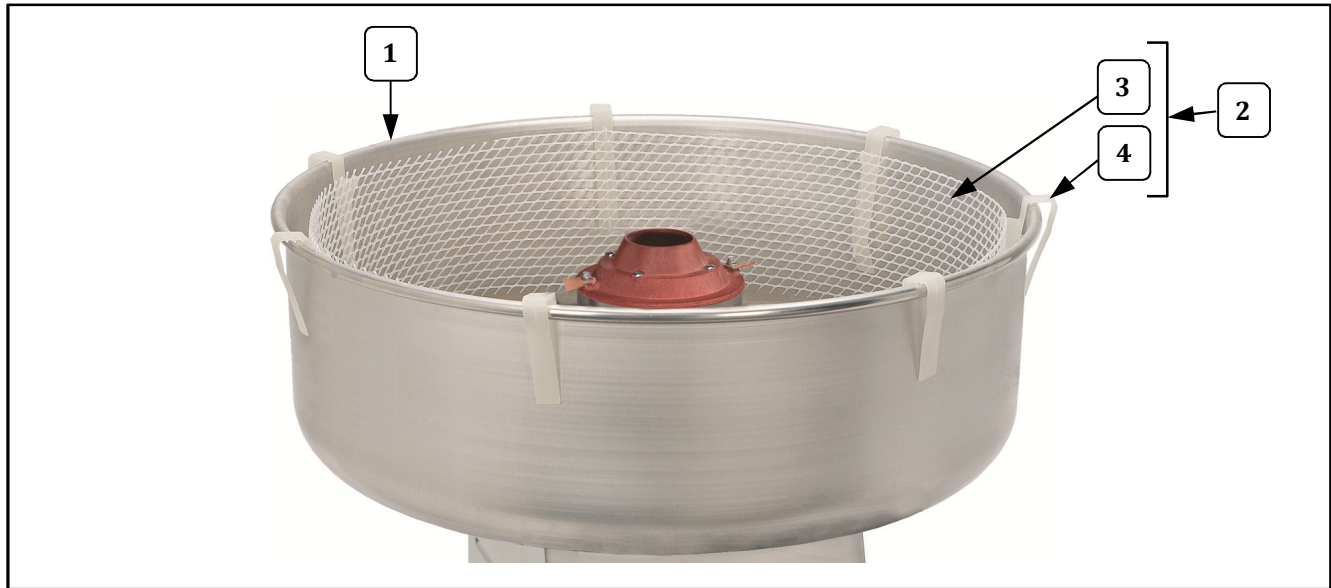


Item	Part Description	Qty.	Part Number			
			3017	3017SR	3017SS	3077 (3077C)
1	FLOSS PAN, ALUMINUM	1	42040	42040	42040	42040
2	WHIRLGRIP STABILIZER (Includes Floss Stabilizer and Clips)	1	3010	3010	3010	3010
3	FLOSS STABILIZER (Web)	1	43032	43032	43032	43032
4	WHIRLGRIP CLIPS	6	77470	77470	77470	77470

## Parts List - Floss Machine Exterior View

Item	Part Description	Qty.	Part Number			
			3017	3017SR	3017SS	3077 (3077C)
1	SPINNER HEAD COMPLETE 5IN	1	42283	42283	42283	42561
2	INSP.COVER,FOUR BRUSH	2	42381	42381	42381	42381
3	8-32 X 1/2 SLOTTED H W H	4	49379	49379	49379	49379
4	BELL HOUSING, DUAL BRUSH	1	42190	42190	42190	42190
5	ACORN NUT 1/4-20	3	49068	49068	49068	49068
6	HANDLE	2	67069	67069	67069	67069
7	BOTTOM PLATE NS	1	42448	42448	42448	42448
8	STRAIN RELIEF #SR-6P3-4	1	76026	76026	76026	76026
9	LEAD-IN CORD 15 AMP PLUG	1	22038	22038	22038	87085 (3077)
	LEAD-IN CORD 20 AMP PLUG	1				47580 (3077C)
10	SWITCH, LIGHTED ROCKER GR	2	42798	42798	42798	42798
11	KNOB, ELECTRONIC HEAT CONTROL	1	42556	42556	42556	42556
12	NAMEPLATE	1	12600	12600	12600	12608
13	RUBBER FEET 3/4IN HIGH	8	47155	47155	47155	47155
14	KNOB SHIPPING BRACKET	2	42150	42150	42150	42150
15	SHIPPING BRACKET ASSY	1	69839	69839	69839	69839
16	BRUSH HOLDER ASSY RED/WHT (Includes Brushes, Caps, Holders)	2	42382W	42382W	42382W	42382W
17	CAP, BRUSH HOLDER	4	42138	42138	42138	42138
18	CARBON BRUSH	4	55007	55007	55007	55007
19	DUAL BRUSH HOLDER W/LEADS	2	42436W	42436W	42436W	42436W

## Floss Pan and Whirlgrip Stabilizer

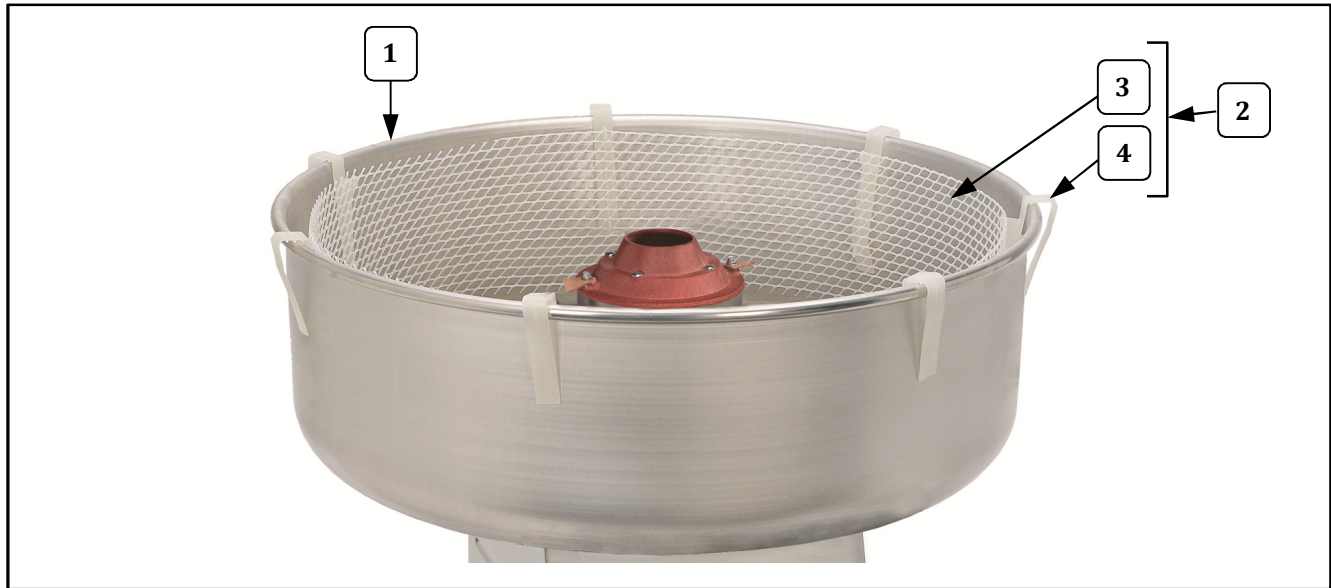


Item	Part Description	Qty.	Part Number			
			3017	3017SR	3017SS	3077 (3077C)
1	FLOSS PAN, ALUMINUM	1	42040	42040	42040	42040
2	WHIRLGRIP STABILIZER (Includes Floss Stabilizer and Clips)	1	3010	3010	3010	3010
3	FLOSS STABILIZER (Web)	1	43032	43032	43032	43032
4	WHIRLGRIP CLIPS	6	77470	77470	77470	77470

## Parts List - Floss Machine Exterior View

Item	Part Description	Qty.	Part Number			
			3017	3017SR	3017SS	3077 (3077C)
1	SPINNER HEAD COMPLETE 5IN	1	42283	42283	42283	42561
2	INSP.COVER,FOUR BRUSH	2	42381	42381	42381	42381
3	8-32 X 1/2 SLOTTED H W H	4	49379	49379	49379	49379
4	BELL HOUSING, DUAL BRUSH	1	42190	42190	42190	42190
5	ACORN NUT 1/4-20	3	49068	49068	49068	49068
6	HANDLE	2	67069	67069	67069	67069
7	BOTTOM PLATE NS	1	42448	42448	42448	42448
8	STRAIN RELIEF #SR-6P3-4	1	76026	76026	76026	76026
9	LEAD-IN CORD 15 AMP PLUG	1	22038	22038	22038	87085 (3077)
	LEAD-IN CORD 20 AMP PLUG	1				47580 (3077C)
10	SWITCH, LIGHTED ROCKER GR	2	42798	42798	42798	42798
11	KNOB, ELECTRONIC HEAT CONTROL	1	42556	42556	42556	42556
12	NAMEPLATE	1	12600	12600	12600	12608
13	RUBBER FEET 3/4IN HIGH	8	47155	47155	47155	47155
14	KNOB SHIPPING BRACKET	2	42150	42150	42150	42150
15	SHIPPING BRACKET ASSY	1	69839	69839	69839	69839
16	BRUSH HOLDER ASSY RED/WHT (Includes Brushes, Caps, Holders)	2	42382W	42382W	42382W	42382W
17	CAP, BRUSH HOLDER	4	42138	42138	42138	42138
18	CARBON BRUSH	4	55007	55007	55007	55007
19	DUAL BRUSH HOLDER W/LEADS	2	42436W	42436W	42436W	42436W

## Floss Pan and Whirlgrip Stabilizer

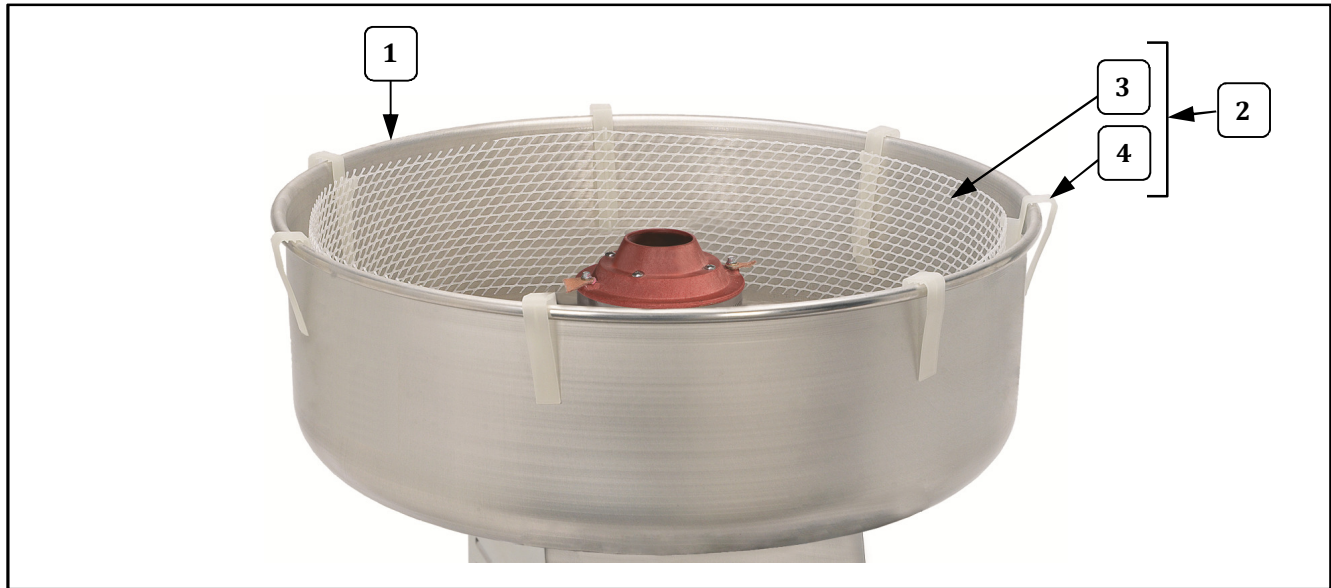


Item	Part Description	Qty.	Part Number			
			3017	3017SR	3017SS	3077 (3077C)
1	FLOSS PAN, ALUMINUM	1	42040	42040	42040	42040
2	WHIRLGRIP STABILIZER (Includes Floss Stabilizer and Clips)	1	3010	3010	3010	3010
3	FLOSS STABILIZER (Web)	1	43032	43032	43032	43032
4	WHIRLGRIP CLIPS	6	77470	77470	77470	77470

## Parts List - Floss Machine Exterior View

Item	Part Description	Qty.	Part Number			
			3017	3017SR	3017SS	3077 (3077C)
1	SPINNER HEAD COMPLETE 5IN	1	42283	42283	42283	42561
2	INSP.COVER,FOUR BRUSH	2	42381	42381	42381	42381
3	8-32 X 1/2 SLOTTED H W H	4	49379	49379	49379	49379
4	BELL HOUSING, DUAL BRUSH	1	42190	42190	42190	42190
5	ACORN NUT 1/4-20	3	49068	49068	49068	49068
6	HANDLE	2	67069	67069	67069	67069
7	BOTTOM PLATE NS	1	42448	42448	42448	42448
8	STRAIN RELIEF #SR-6P3-4	1	76026	76026	76026	76026
9	LEAD-IN CORD 15 AMP PLUG	1	22038	22038	22038	87085 (3077)
	LEAD-IN CORD 20 AMP PLUG	1				47580 (3077C)
10	SWITCH, LIGHTED ROCKER GR	2	42798	42798	42798	42798
11	KNOB, ELECTRONIC HEAT CONTROL	1	42556	42556	42556	42556
12	NAMEPLATE	1	12600	12600	12600	12608
13	RUBBER FEET 3/4IN HIGH	8	47155	47155	47155	47155
14	KNOB SHIPPING BRACKET	2	42150	42150	42150	42150
15	SHIPPING BRACKET ASSY	1	69839	69839	69839	69839
16	BRUSH HOLDER ASSY RED/WHT (Includes Brushes, Caps, Holders)	2	42382W	42382W	42382W	42382W
17	CAP, BRUSH HOLDER	4	42138	42138	42138	42138
18	CARBON BRUSH	4	55007	55007	55007	55007
19	DUAL BRUSH HOLDER W/LEADS	2	42436W	42436W	42436W	42436W

## Floss Pan and Whirlgrip Stabilizer

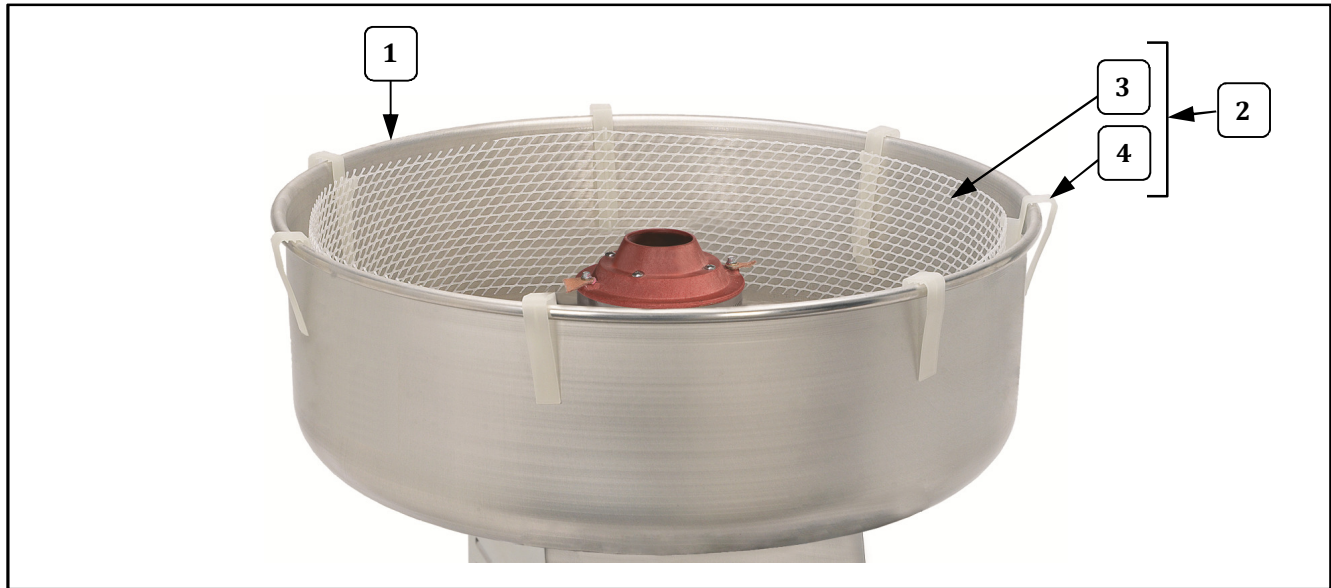


Item	Part Description	Qty.	Part Number			
			3017	3017SR	3017SS	3077 (3077C)
1	FLOSS PAN, ALUMINUM	1	42040	42040	42040	42040
2	WHIRLGRIP STABILIZER (Includes Floss Stabilizer and Clips)	1	3010	3010	3010	3010
3	FLOSS STABILIZER (Web)	1	43032	43032	43032	43032
4	WHIRLGRIP CLIPS	6	77470	77470	77470	77470

## Parts List - Floss Machine Exterior View

Item	Part Description	Qty.	Part Number			
			3017	3017SR	3017SS	3077 (3077C)
1	SPINNER HEAD COMPLETE 5IN	1	42283	42283	42283	42561
2	INSP.COVER,FOUR BRUSH	2	42381	42381	42381	42381
3	8-32 X 1/2 SLOTTED H W H	4	49379	49379	49379	49379
4	BELL HOUSING, DUAL BRUSH	1	42190	42190	42190	42190
5	ACORN NUT 1/4-20	3	49068	49068	49068	49068
6	HANDLE	2	67069	67069	67069	67069
7	BOTTOM PLATE NS	1	42448	42448	42448	42448
8	STRAIN RELIEF #SR-6P3-4	1	76026	76026	76026	76026
9	LEAD-IN CORD 15 AMP PLUG	1	22038	22038	22038	87085 (3077)
	LEAD-IN CORD 20 AMP PLUG	1				47580 (3077C)
10	SWITCH, LIGHTED ROCKER GR	2	42798	42798	42798	42798
11	KNOB, ELECTRONIC HEAT CONTROL	1	42556	42556	42556	42556
12	NAMEPLATE	1	12600	12600	12600	12608
13	RUBBER FEET 3/4IN HIGH	8	47155	47155	47155	47155
14	KNOB SHIPPING BRACKET	2	42150	42150	42150	42150
15	SHIPPING BRACKET ASSY	1	69839	69839	69839	69839
16	BRUSH HOLDER ASSY RED/WHT (Includes Brushes, Caps, Holders)	2	42382W	42382W	42382W	42382W
17	CAP, BRUSH HOLDER	4	42138	42138	42138	42138
18	CARBON BRUSH	4	55007	55007	55007	55007
19	DUAL BRUSH HOLDER W/LEADS	2	42436W	42436W	42436W	42436W

## Floss Pan and Whirlgrip Stabilizer

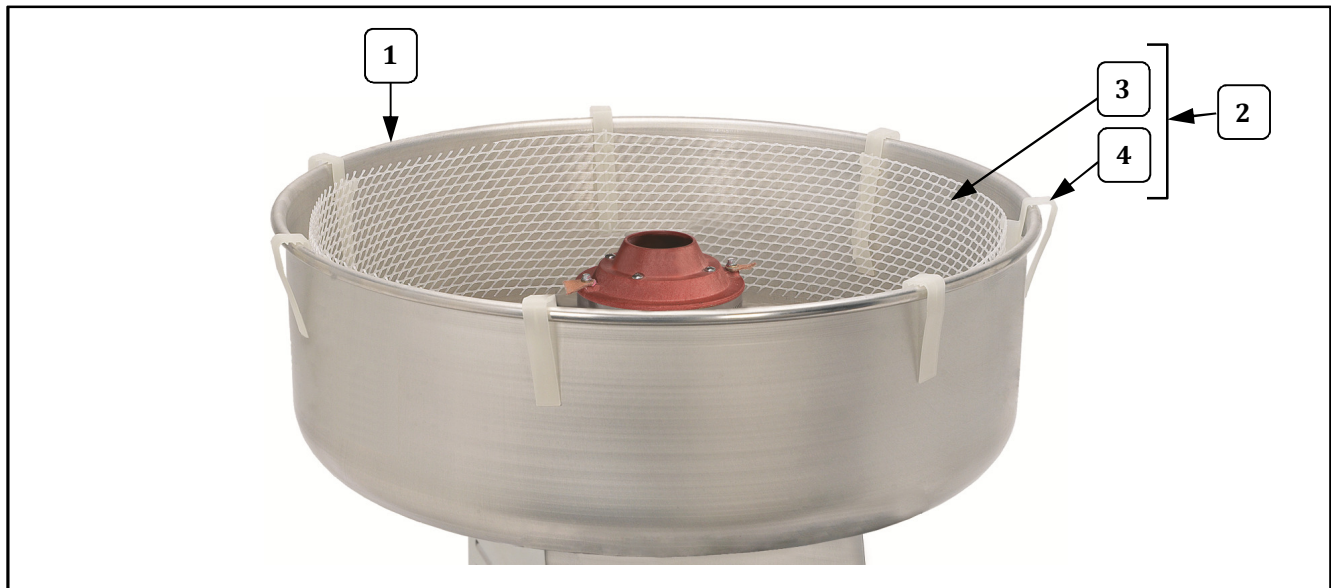


Item	Part Description	Qty.	Part Number			
			3017	3017SR	3017SS	3077 (3077C)
1	FLOSS PAN, ALUMINUM	1	42040	42040	42040	42040
2	WHIRLGRIP STABILIZER (Includes Floss Stabilizer and Clips)	1	3010	3010	3010	3010
3	FLOSS STABILIZER (Web)	1	43032	43032	43032	43032
4	WHIRLGRIP CLIPS	6	77470	77470	77470	77470

## Parts List - Floss Machine Exterior View

Item	Part Description	Qty.	Part Number			
			3017	3017SR	3017SS	3077 (3077C)
1	SPINNER HEAD COMPLETE 5IN	1	42283	42283	42283	42561
2	INSP.COVER,FOUR BRUSH	2	42381	42381	42381	42381
3	8-32 X 1/2 SLOTTED H W H	4	49379	49379	49379	49379
4	BELL HOUSING, DUAL BRUSH	1	42190	42190	42190	42190
5	ACORN NUT 1/4-20	3	49068	49068	49068	49068
6	HANDLE	2	67069	67069	67069	67069
7	BOTTOM PLATE NS	1	42448	42448	42448	42448
8	STRAIN RELIEF #SR-6P3-4	1	76026	76026	76026	76026
9	LEAD-IN CORD 15 AMP PLUG	1	22038	22038	22038	87085 (3077)
	LEAD-IN CORD 20 AMP PLUG	1				47580 (3077C)
10	SWITCH, LIGHTED ROCKER GR	2	42798	42798	42798	42798
11	KNOB, ELECTRONIC HEAT CONTROL	1	42556	42556	42556	42556
12	NAMEPLATE	1	12600	12600	12600	12608
13	RUBBER FEET 3/4IN HIGH	8	47155	47155	47155	47155
14	KNOB SHIPPING BRACKET	2	42150	42150	42150	42150
15	SHIPPING BRACKET ASSY	1	69839	69839	69839	69839
16	BRUSH HOLDER ASSY RED/WHT (Includes Brushes, Caps, Holders)	2	42382W	42382W	42382W	42382W
17	CAP, BRUSH HOLDER	4	42138	42138	42138	42138
18	CARBON BRUSH	4	55007	55007	55007	55007
19	DUAL BRUSH HOLDER W/LEADS	2	42436W	42436W	42436W	42436W

## Floss Pan and Whirlgrip Stabilizer

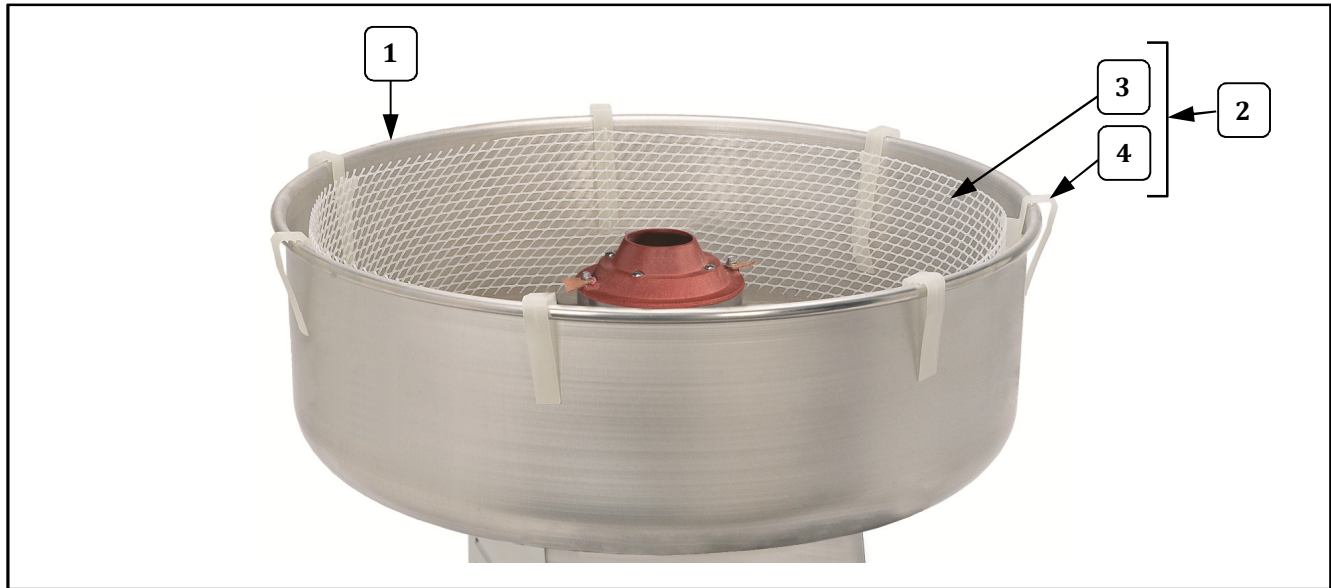


Item	Part Description	Qty.	Part Number			
			3017	3017SR	3017SS	3077 (3077C)
1	FLOSS PAN, ALUMINUM	1	42040	42040	42040	42040
2	WHIRLGRIP STABILIZER (Includes Floss Stabilizer and Clips)	1	3010	3010	3010	3010
3	FLOSS STABILIZER (Web)	1	43032	43032	43032	43032
4	WHIRLGRIP CLIPS	6	77470	77470	77470	77470

## Parts List - Floss Machine Exterior View

Item	Part Description	Qty.	Part Number			
			3017	3017SR	3017SS	3077 (3077C)
1	SPINNER HEAD COMPLETE 5IN	1	42283	42283	42283	42561
2	INSP.COVER,FOUR BRUSH	2	42381	42381	42381	42381
3	8-32 X 1/2 SLOTTED H W H	4	49379	49379	49379	49379
4	BELL HOUSING, DUAL BRUSH	1	42190	42190	42190	42190
5	ACORN NUT 1/4-20	3	49068	49068	49068	49068
6	HANDLE	2	67069	67069	67069	67069
7	BOTTOM PLATE NS	1	42448	42448	42448	42448
8	STRAIN RELIEF #SR-6P3-4	1	76026	76026	76026	76026
9	LEAD-IN CORD 15 AMP PLUG	1	22038	22038	22038	87085 (3077)
	LEAD-IN CORD 20 AMP PLUG	1				47580 (3077C)
10	SWITCH, LIGHTED ROCKER GR	2	42798	42798	42798	42798
11	KNOB, ELECTRONIC HEAT CONTROL	1	42556	42556	42556	42556
12	NAMEPLATE	1	12600	12600	12600	12608
13	RUBBER FEET 3/4IN HIGH	8	47155	47155	47155	47155
14	KNOB SHIPPING BRACKET	2	42150	42150	42150	42150
15	SHIPPING BRACKET ASSY	1	69839	69839	69839	69839
16	BRUSH HOLDER ASSY RED/WHT (Includes Brushes, Caps, Holders)	2	42382W	42382W	42382W	42382W
17	CAP, BRUSH HOLDER	4	42138	42138	42138	42138
18	CARBON BRUSH	4	55007	55007	55007	55007
19	DUAL BRUSH HOLDER W/LEADS	2	42436W	42436W	42436W	42436W

## Floss Pan and Whirlgrip Stabilizer

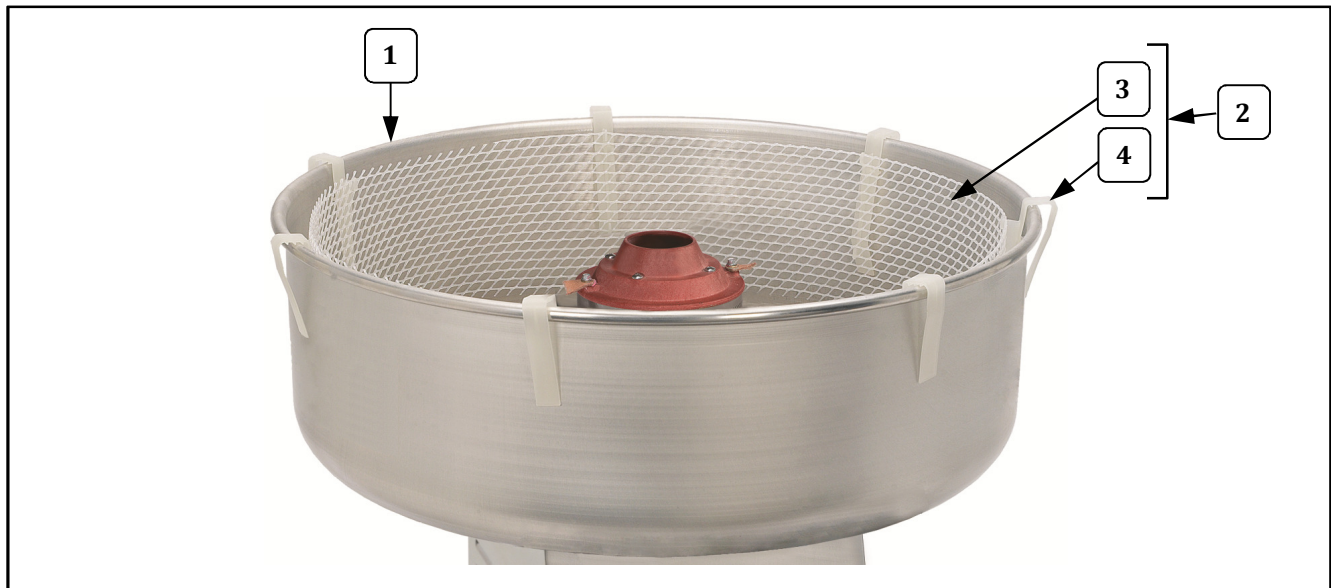


Item	Part Description	Qty.	Part Number			
			3017	3017SR	3017SS	3077 (3077C)
1	FLOSS PAN, ALUMINUM	1	42040	42040	42040	42040
2	WHIRLGRIP STABILIZER (Includes Floss Stabilizer and Clips)	1	3010	3010	3010	3010
3	FLOSS STABILIZER (Web)	1	43032	43032	43032	43032
4	WHIRLGRIP CLIPS	6	77470	77470	77470	77470

## Parts List - Floss Machine Exterior View

Item	Part Description	Qty.	Part Number			
			3017	3017SR	3017SS	3077 (3077C)
1	SPINNER HEAD COMPLETE 5IN	1	42283	42283	42283	42561
2	INSP.COVER,FOUR BRUSH	2	42381	42381	42381	42381
3	8-32 X 1/2 SLOTTED H W H	4	49379	49379	49379	49379
4	BELL HOUSING, DUAL BRUSH	1	42190	42190	42190	42190
5	ACORN NUT 1/4-20	3	49068	49068	49068	49068
6	HANDLE	2	67069	67069	67069	67069
7	BOTTOM PLATE NS	1	42448	42448	42448	42448
8	STRAIN RELIEF #SR-6P3-4	1	76026	76026	76026	76026
9	LEAD-IN CORD 15 AMP PLUG	1	22038	22038	22038	87085 (3077)
	LEAD-IN CORD 20 AMP PLUG	1				47580 (3077C)
10	SWITCH, LIGHTED ROCKER GR	2	42798	42798	42798	42798
11	KNOB, ELECTRONIC HEAT CONTROL	1	42556	42556	42556	42556
12	NAMEPLATE	1	12600	12600	12600	12608
13	RUBBER FEET 3/4IN HIGH	8	47155	47155	47155	47155
14	KNOB SHIPPING BRACKET	2	42150	42150	42150	42150
15	SHIPPING BRACKET ASSY	1	69839	69839	69839	69839
16	BRUSH HOLDER ASSY RED/WHT (Includes Brushes, Caps, Holders)	2	42382W	42382W	42382W	42382W
17	CAP, BRUSH HOLDER	4	42138	42138	42138	42138
18	CARBON BRUSH	4	55007	55007	55007	55007
19	DUAL BRUSH HOLDER W/LEADS	2	42436W	42436W	42436W	42436W

## Floss Pan and Whirlgrip Stabilizer

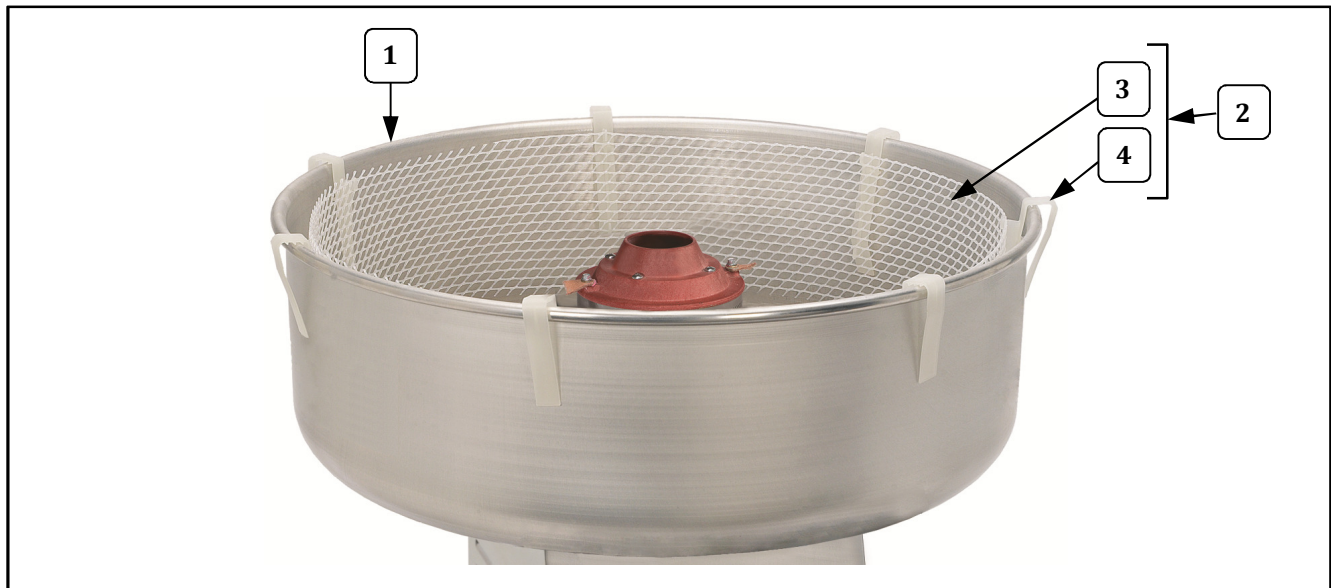


Item	Part Description	Qty.	Part Number			
			3017	3017SR	3017SS	3077 (3077C)
1	FLOSS PAN, ALUMINUM	1	42040	42040	42040	42040
2	WHIRLGRIP STABILIZER (Includes Floss Stabilizer and Clips)	1	3010	3010	3010	3010
3	FLOSS STABILIZER (Web)	1	43032	43032	43032	43032
4	WHIRLGRIP CLIPS	6	77470	77470	77470	77470

## Parts List - Floss Machine Exterior View

Item	Part Description	Qty.	Part Number			
			3017	3017SR	3017SS	3077 (3077C)
1	SPINNER HEAD COMPLETE 5IN	1	42283	42283	42283	42561
2	INSP.COVER,FOUR BRUSH	2	42381	42381	42381	42381
3	8-32 X 1/2 SLOTTED H W H	4	49379	49379	49379	49379
4	BELL HOUSING, DUAL BRUSH	1	42190	42190	42190	42190
5	ACORN NUT 1/4-20	3	49068	49068	49068	49068
6	HANDLE	2	67069	67069	67069	67069
7	BOTTOM PLATE NS	1	42448	42448	42448	42448
8	STRAIN RELIEF #SR-6P3-4	1	76026	76026	76026	76026
9	LEAD-IN CORD 15 AMP PLUG	1	22038	22038	22038	87085 (3077)
	LEAD-IN CORD 20 AMP PLUG	1				47580 (3077C)
10	SWITCH, LIGHTED ROCKER GR	2	42798	42798	42798	42798
11	KNOB, ELECTRONIC HEAT CONTROL	1	42556	42556	42556	42556
12	NAMEPLATE	1	12600	12600	12600	12608
13	RUBBER FEET 3/4IN HIGH	8	47155	47155	47155	47155
14	KNOB SHIPPING BRACKET	2	42150	42150	42150	42150
15	SHIPPING BRACKET ASSY	1	69839	69839	69839	69839
16	BRUSH HOLDER ASSY RED/WHT (Includes Brushes, Caps, Holders)	2	42382W	42382W	42382W	42382W
17	CAP, BRUSH HOLDER	4	42138	42138	42138	42138
18	CARBON BRUSH	4	55007	55007	55007	55007
19	DUAL BRUSH HOLDER W/LEADS	2	42436W	42436W	42436W	42436W

## Floss Pan and Whirlgrip Stabilizer

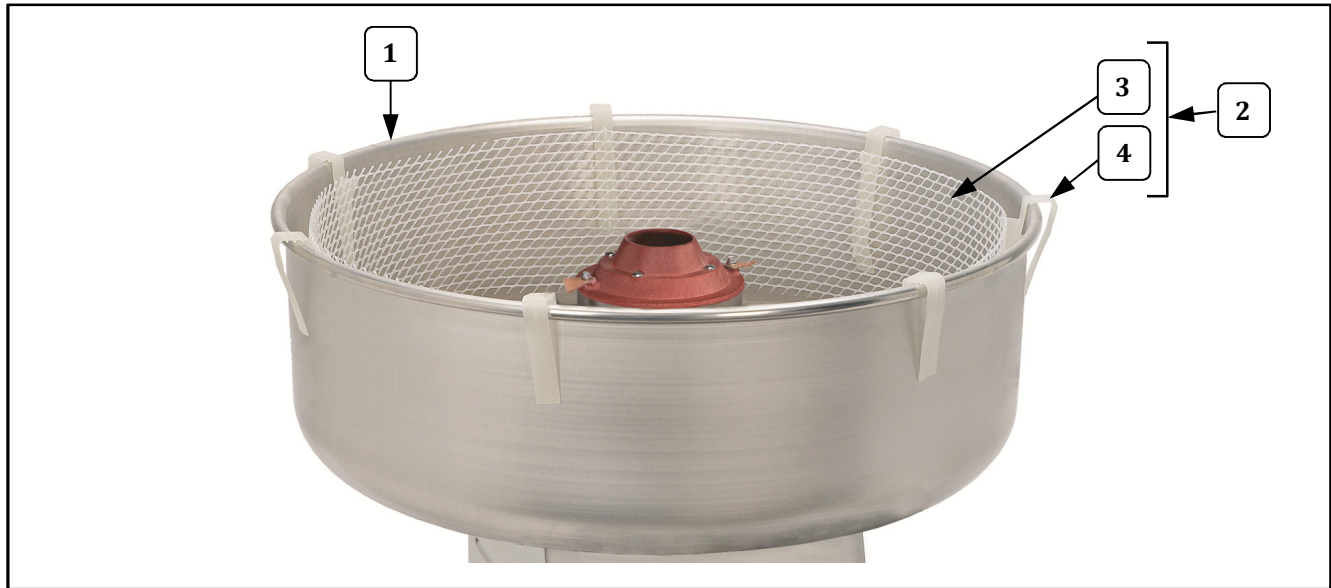


Item	Part Description	Qty.	Part Number			
			3017	3017SR	3017SS	3077 (3077C)
1	FLOSS PAN, ALUMINUM	1	42040	42040	42040	42040
2	WHIRLGRIP STABILIZER (Includes Floss Stabilizer and Clips)	1	3010	3010	3010	3010
3	FLOSS STABILIZER (Web)	1	43032	43032	43032	43032
4	WHIRLGRIP CLIPS	6	77470	77470	77470	77470

## Parts List - Floss Machine Exterior View

Item	Part Description	Qty.	Part Number			
			3017	3017SR	3017SS	3077 (3077C)
1	SPINNER HEAD COMPLETE 5IN	1	42283	42283	42283	42561
2	INSP.COVER,FOUR BRUSH	2	42381	42381	42381	42381
3	8-32 X 1/2 SLOTTED H W H	4	49379	49379	49379	49379
4	BELL HOUSING, DUAL BRUSH	1	42190	42190	42190	42190
5	ACORN NUT 1/4-20	3	49068	49068	49068	49068
6	HANDLE	2	67069	67069	67069	67069
7	BOTTOM PLATE NS	1	42448	42448	42448	42448
8	STRAIN RELIEF #SR-6P3-4	1	76026	76026	76026	76026
9	LEAD-IN CORD 15 AMP PLUG	1	22038	22038	22038	87085 (3077)
	LEAD-IN CORD 20 AMP PLUG	1				47580 (3077C)
10	SWITCH, LIGHTED ROCKER GR	2	42798	42798	42798	42798
11	KNOB, ELECTRONIC HEAT CONTROL	1	42556	42556	42556	42556
12	NAMEPLATE	1	12600	12600	12600	12608
13	RUBBER FEET 3/4IN HIGH	8	47155	47155	47155	47155
14	KNOB SHIPPING BRACKET	2	42150	42150	42150	42150
15	SHIPPING BRACKET ASSY	1	69839	69839	69839	69839
16	BRUSH HOLDER ASSY RED/WHT (Includes Brushes, Caps, Holders)	2	42382W	42382W	42382W	42382W
17	CAP, BRUSH HOLDER	4	42138	42138	42138	42138
18	CARBON BRUSH	4	55007	55007	55007	55007
19	DUAL BRUSH HOLDER W/LEADS	2	42436W	42436W	42436W	42436W

## Floss Pan and Whirlgrip Stabilizer

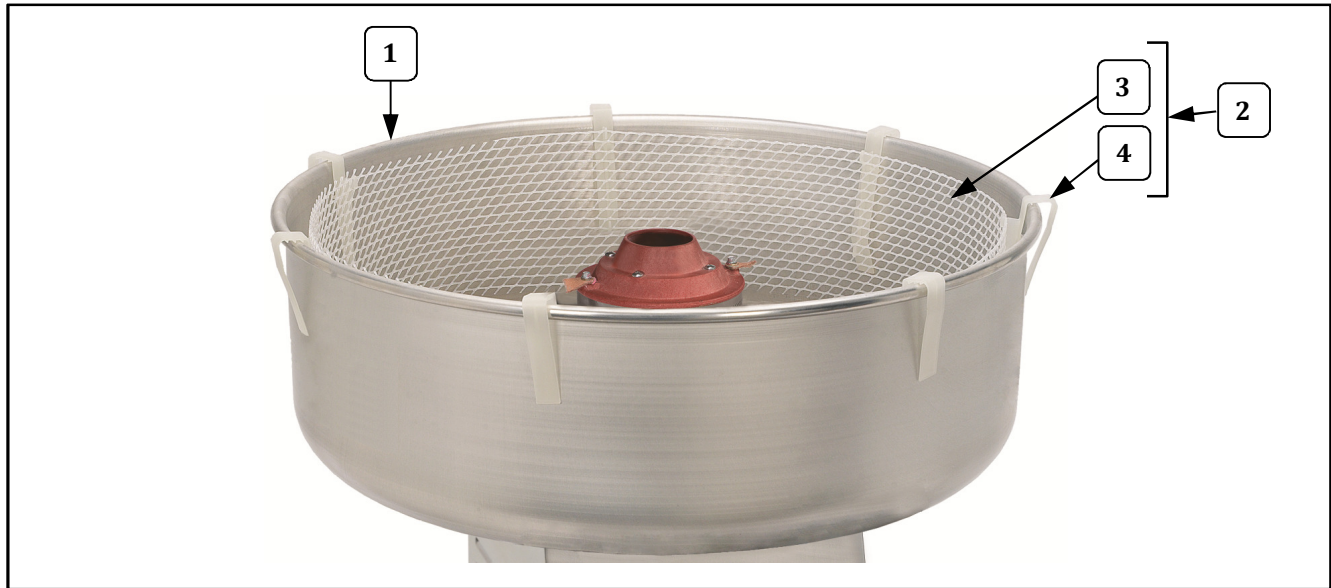


Item	Part Description	Qty.	Part Number			
			3017	3017SR	3017SS	3077 (3077C)
1	FLOSS PAN, ALUMINUM	1	42040	42040	42040	42040
2	WHIRLGRIP STABILIZER (Includes Floss Stabilizer and Clips)	1	3010	3010	3010	3010
3	FLOSS STABILIZER (Web)	1	43032	43032	43032	43032
4	WHIRLGRIP CLIPS	6	77470	77470	77470	77470

## Parts List - Floss Machine Exterior View

Item	Part Description	Qty.	Part Number			
			3017	3017SR	3017SS	3077 (3077C)
1	SPINNER HEAD COMPLETE 5IN	1	42283	42283	42283	42561
2	INSP.COVER,FOUR BRUSH	2	42381	42381	42381	42381
3	8-32 X 1/2 SLOTTED H W H	4	49379	49379	49379	49379
4	BELL HOUSING, DUAL BRUSH	1	42190	42190	42190	42190
5	ACORN NUT 1/4-20	3	49068	49068	49068	49068
6	HANDLE	2	67069	67069	67069	67069
7	BOTTOM PLATE NS	1	42448	42448	42448	42448
8	STRAIN RELIEF #SR-6P3-4	1	76026	76026	76026	76026
9	LEAD-IN CORD 15 AMP PLUG	1	22038	22038	22038	87085 (3077)
	LEAD-IN CORD 20 AMP PLUG	1				47580 (3077C)
10	SWITCH, LIGHTED ROCKER GR	2	42798	42798	42798	42798
11	KNOB, ELECTRONIC HEAT CONTROL	1	42556	42556	42556	42556
12	NAMEPLATE	1	12600	12600	12600	12608
13	RUBBER FEET 3/4IN HIGH	8	47155	47155	47155	47155
14	KNOB SHIPPING BRACKET	2	42150	42150	42150	42150
15	SHIPPING BRACKET ASSY	1	69839	69839	69839	69839
16	BRUSH HOLDER ASSY RED/WHT (Includes Brushes, Caps, Holders)	2	42382W	42382W	42382W	42382W
17	CAP, BRUSH HOLDER	4	42138	42138	42138	42138
18	CARBON BRUSH	4	55007	55007	55007	55007
19	DUAL BRUSH HOLDER W/LEADS	2	42436W	42436W	42436W	42436W

## Floss Pan and Whirlgrip Stabilizer

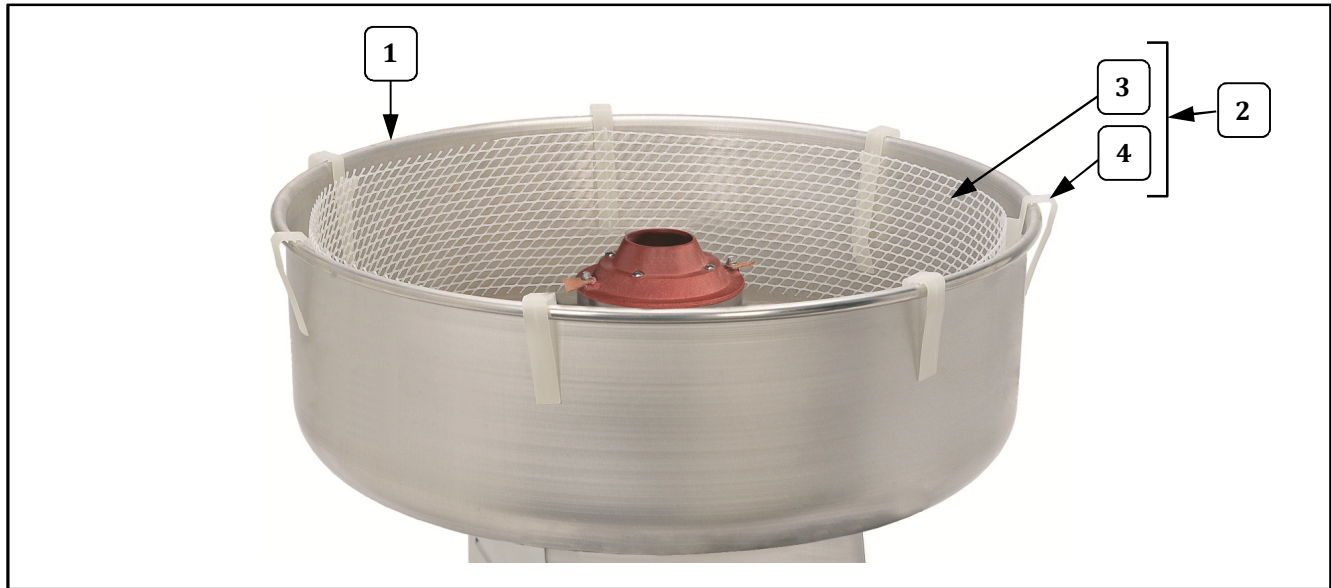


Item	Part Description	Qty.	Part Number			
			3017	3017SR	3017SS	3077 (3077C)
1	FLOSS PAN, ALUMINUM	1	42040	42040	42040	42040
2	WHIRLGRIP STABILIZER (Includes Floss Stabilizer and Clips)	1	3010	3010	3010	3010
3	FLOSS STABILIZER (Web)	1	43032	43032	43032	43032
4	WHIRLGRIP CLIPS	6	77470	77470	77470	77470

## Parts List - Floss Machine Exterior View

Item	Part Description	Qty.	Part Number			
			3017	3017SR	3017SS	3077 (3077C)
1	SPINNER HEAD COMPLETE 5IN	1	42283	42283	42283	42561
2	INSP.COVER,FOUR BRUSH	2	42381	42381	42381	42381
3	8-32 X 1/2 SLOTTED H W H	4	49379	49379	49379	49379
4	BELL HOUSING, DUAL BRUSH	1	42190	42190	42190	42190
5	ACORN NUT 1/4-20	3	49068	49068	49068	49068
6	HANDLE	2	67069	67069	67069	67069
7	BOTTOM PLATE NS	1	42448	42448	42448	42448
8	STRAIN RELIEF #SR-6P3-4	1	76026	76026	76026	76026
9	LEAD-IN CORD 15 AMP PLUG	1	22038	22038	22038	87085 (3077)
	LEAD-IN CORD 20 AMP PLUG	1				47580 (3077C)
10	SWITCH, LIGHTED ROCKER GR	2	42798	42798	42798	42798
11	KNOB, ELECTRONIC HEAT CONTROL	1	42556	42556	42556	42556
12	NAMEPLATE	1	12600	12600	12600	12608
13	RUBBER FEET 3/4IN HIGH	8	47155	47155	47155	47155
14	KNOB SHIPPING BRACKET	2	42150	42150	42150	42150
15	SHIPPING BRACKET ASSY	1	69839	69839	69839	69839
16	BRUSH HOLDER ASSY RED/WHT (Includes Brushes, Caps, Holders)	2	42382W	42382W	42382W	42382W
17	CAP, BRUSH HOLDER	4	42138	42138	42138	42138
18	CARBON BRUSH	4	55007	55007	55007	55007
19	DUAL BRUSH HOLDER W/LEADS	2	42436W	42436W	42436W	42436W

## Floss Pan and Whirlgrip Stabilizer

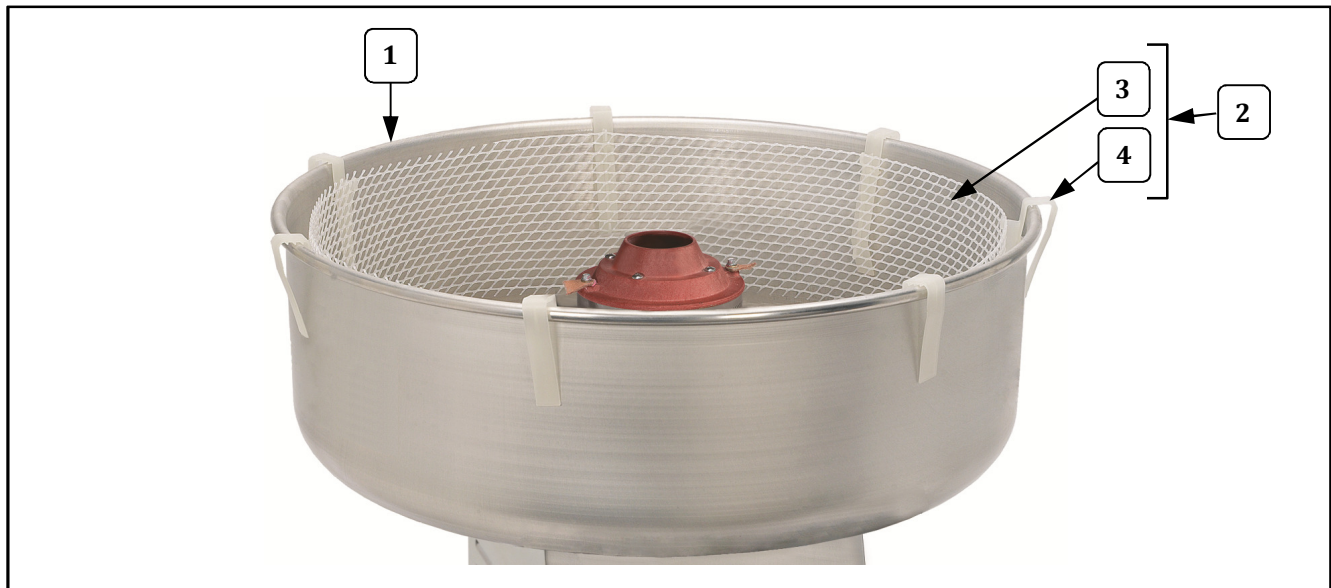


Item	Part Description	Qty.	Part Number			
			3017	3017SR	3017SS	3077 (3077C)
1	FLOSS PAN, ALUMINUM	1	42040	42040	42040	42040
2	WHIRLGRIP STABILIZER (Includes Floss Stabilizer and Clips)	1	3010	3010	3010	3010
3	FLOSS STABILIZER (Web)	1	43032	43032	43032	43032
4	WHIRLGRIP CLIPS	6	77470	77470	77470	77470

## Parts List - Floss Machine Exterior View

Item	Part Description	Qty.	Part Number			
			3017	3017SR	3017SS	3077 (3077C)
1	SPINNER HEAD COMPLETE 5IN	1	42283	42283	42283	42561
2	INSP.COVER,FOUR BRUSH	2	42381	42381	42381	42381
3	8-32 X 1/2 SLOTTED H W H	4	49379	49379	49379	49379
4	BELL HOUSING, DUAL BRUSH	1	42190	42190	42190	42190
5	ACORN NUT 1/4-20	3	49068	49068	49068	49068
6	HANDLE	2	67069	67069	67069	67069
7	BOTTOM PLATE NS	1	42448	42448	42448	42448
8	STRAIN RELIEF #SR-6P3-4	1	76026	76026	76026	76026
9	LEAD-IN CORD 15 AMP PLUG	1	22038	22038	22038	87085 (3077)
	LEAD-IN CORD 20 AMP PLUG	1				47580 (3077C)
10	SWITCH, LIGHTED ROCKER GR	2	42798	42798	42798	42798
11	KNOB, ELECTRONIC HEAT CONTROL	1	42556	42556	42556	42556
12	NAMEPLATE	1	12600	12600	12600	12608
13	RUBBER FEET 3/4IN HIGH	8	47155	47155	47155	47155
14	KNOB SHIPPING BRACKET	2	42150	42150	42150	42150
15	SHIPPING BRACKET ASSY	1	69839	69839	69839	69839
16	BRUSH HOLDER ASSY RED/WHT (Includes Brushes, Caps, Holders)	2	42382W	42382W	42382W	42382W
17	CAP, BRUSH HOLDER	4	42138	42138	42138	42138
18	CARBON BRUSH	4	55007	55007	55007	55007
19	DUAL BRUSH HOLDER W/LEADS	2	42436W	42436W	42436W	42436W

## Floss Pan and Whirlgrip Stabilizer

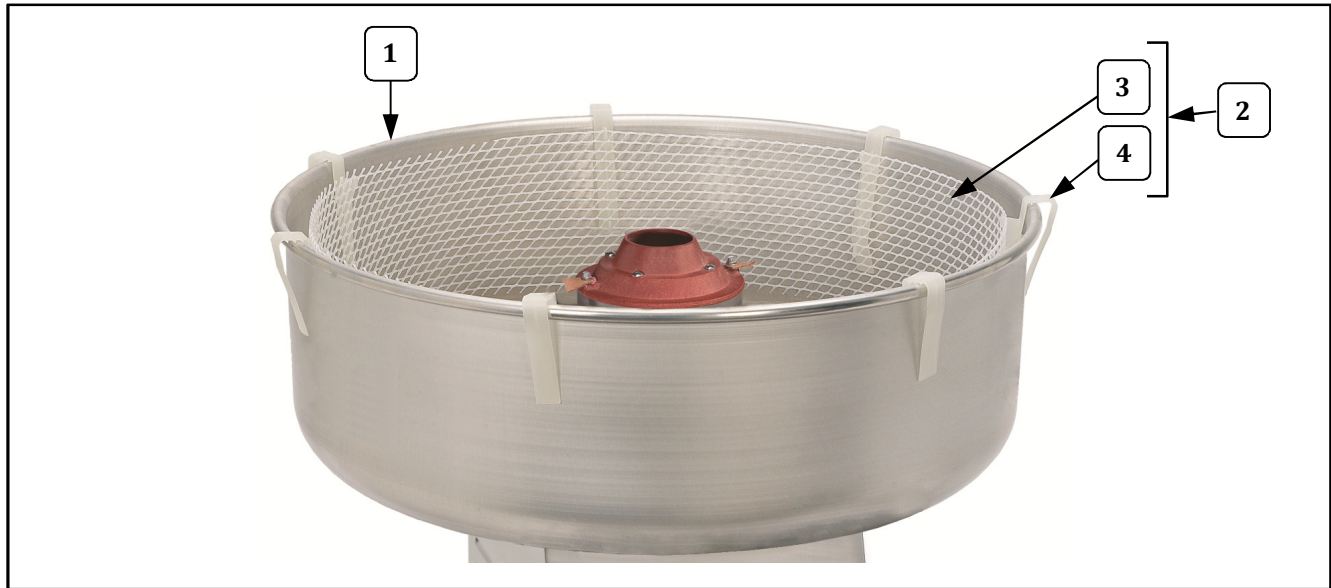


Item	Part Description	Qty.	Part Number			
			3017	3017SR	3017SS	3077 (3077C)
1	FLOSS PAN, ALUMINUM	1	42040	42040	42040	42040
2	WHIRLGRIP STABILIZER (Includes Floss Stabilizer and Clips)	1	3010	3010	3010	3010
3	FLOSS STABILIZER (Web)	1	43032	43032	43032	43032
4	WHIRLGRIP CLIPS	6	77470	77470	77470	77470

## Parts List - Floss Machine Exterior View

Item	Part Description	Qty.	Part Number			
			3017	3017SR	3017SS	3077 (3077C)
1	SPINNER HEAD COMPLETE 5IN	1	42283	42283	42283	42561
2	INSP.COVER,FOUR BRUSH	2	42381	42381	42381	42381
3	8-32 X 1/2 SLOTTED H W H	4	49379	49379	49379	49379
4	BELL HOUSING, DUAL BRUSH	1	42190	42190	42190	42190
5	ACORN NUT 1/4-20	3	49068	49068	49068	49068
6	HANDLE	2	67069	67069	67069	67069
7	BOTTOM PLATE NS	1	42448	42448	42448	42448
8	STRAIN RELIEF #SR-6P3-4	1	76026	76026	76026	76026
9	LEAD-IN CORD 15 AMP PLUG	1	22038	22038	22038	87085 (3077)
	LEAD-IN CORD 20 AMP PLUG	1				47580 (3077C)
10	SWITCH, LIGHTED ROCKER GR	2	42798	42798	42798	42798
11	KNOB, ELECTRONIC HEAT CONTROL	1	42556	42556	42556	42556
12	NAMEPLATE	1	12600	12600	12600	12608
13	RUBBER FEET 3/4IN HIGH	8	47155	47155	47155	47155
14	KNOB SHIPPING BRACKET	2	42150	42150	42150	42150
15	SHIPPING BRACKET ASSY	1	69839	69839	69839	69839
16	BRUSH HOLDER ASSY RED/WHT (Includes Brushes, Caps, Holders)	2	42382W	42382W	42382W	42382W
17	CAP, BRUSH HOLDER	4	42138	42138	42138	42138
18	CARBON BRUSH	4	55007	55007	55007	55007
19	DUAL BRUSH HOLDER W/LEADS	2	42436W	42436W	42436W	42436W

## Floss Pan and Whirlgrip Stabilizer

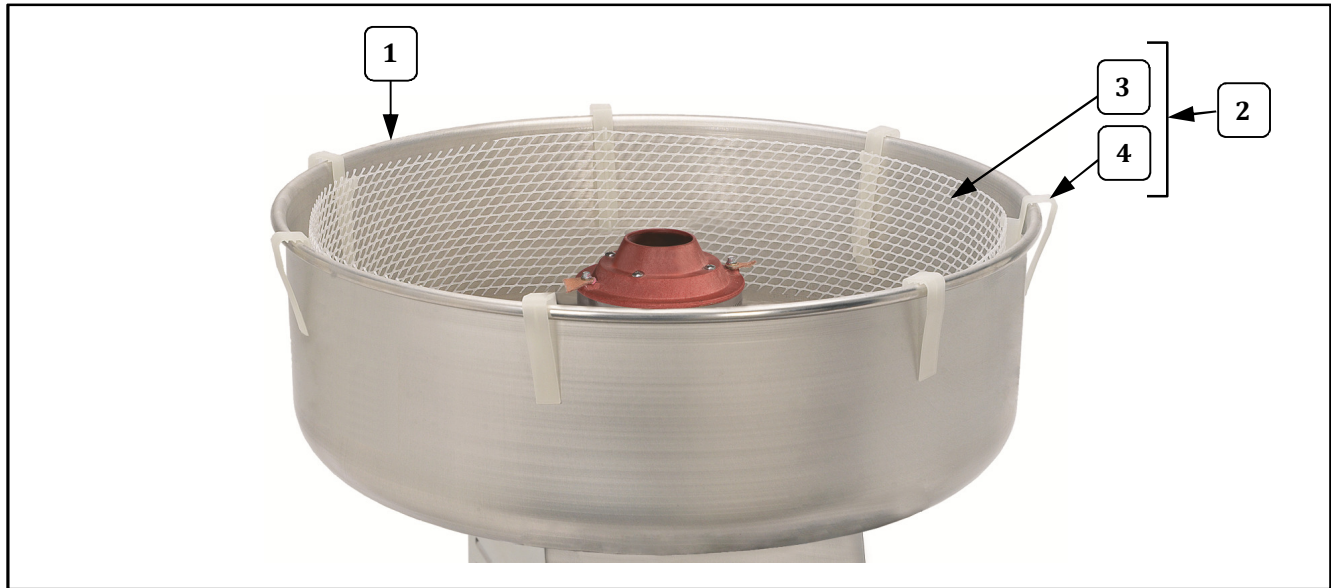


Item	Part Description	Qty.	Part Number			
			3017	3017SR	3017SS	3077 (3077C)
1	FLOSS PAN, ALUMINUM	1	42040	42040	42040	42040
2	WHIRLGRIP STABILIZER (Includes Floss Stabilizer and Clips)	1	3010	3010	3010	3010
3	FLOSS STABILIZER (Web)	1	43032	43032	43032	43032
4	WHIRLGRIP CLIPS	6	77470	77470	77470	77470

## Parts List - Floss Machine Exterior View

Item	Part Description	Qty.	Part Number			
			3017	3017SR	3017SS	3077 (3077C)
1	SPINNER HEAD COMPLETE 5IN	1	42283	42283	42283	42561
2	INSP.COVER,FOUR BRUSH	2	42381	42381	42381	42381
3	8-32 X 1/2 SLOTTED H W H	4	49379	49379	49379	49379
4	BELL HOUSING, DUAL BRUSH	1	42190	42190	42190	42190
5	ACORN NUT 1/4-20	3	49068	49068	49068	49068
6	HANDLE	2	67069	67069	67069	67069
7	BOTTOM PLATE NS	1	42448	42448	42448	42448
8	STRAIN RELIEF #SR-6P3-4	1	76026	76026	76026	76026
9	LEAD-IN CORD 15 AMP PLUG	1	22038	22038	22038	87085 (3077)
	LEAD-IN CORD 20 AMP PLUG	1				47580 (3077C)
10	SWITCH, LIGHTED ROCKER GR	2	42798	42798	42798	42798
11	KNOB, ELECTRONIC HEAT CONTROL	1	42556	42556	42556	42556
12	NAMEPLATE	1	12600	12600	12600	12608
13	RUBBER FEET 3/4IN HIGH	8	47155	47155	47155	47155
14	KNOB SHIPPING BRACKET	2	42150	42150	42150	42150
15	SHIPPING BRACKET ASSY	1	69839	69839	69839	69839
16	BRUSH HOLDER ASSY RED/WHT (Includes Brushes, Caps, Holders)	2	42382W	42382W	42382W	42382W
17	CAP, BRUSH HOLDER	4	42138	42138	42138	42138
18	CARBON BRUSH	4	55007	55007	55007	55007
19	DUAL BRUSH HOLDER W/LEADS	2	42436W	42436W	42436W	42436W

## Floss Pan and Whirlgrip Stabilizer

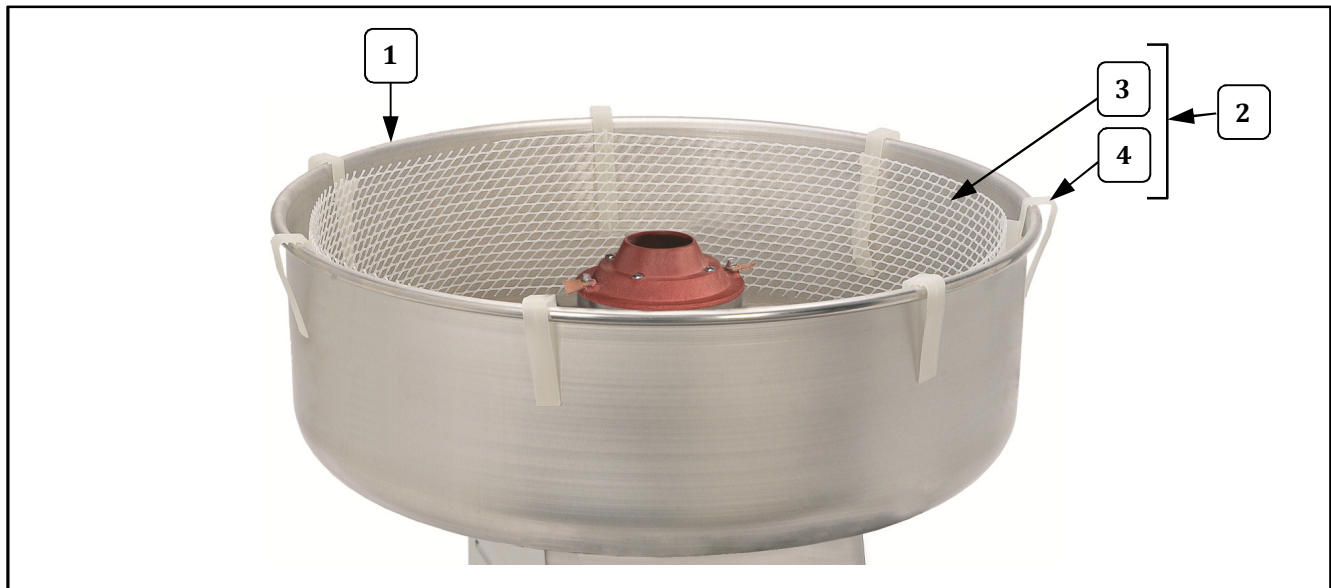


Item	Part Description	Qty.	Part Number			
			3017	3017SR	3017SS	3077 (3077C)
1	FLOSS PAN, ALUMINUM	1	42040	42040	42040	42040
2	WHIRLGRIP STABILIZER (Includes Floss Stabilizer and Clips)	1	3010	3010	3010	3010
3	FLOSS STABILIZER (Web)	1	43032	43032	43032	43032
4	WHIRLGRIP CLIPS	6	77470	77470	77470	77470

## Parts List - Floss Machine Exterior View

Item	Part Description	Qty.	Part Number			
			3017	3017SR	3017SS	3077 (3077C)
1	SPINNER HEAD COMPLETE 5IN	1	42283	42283	42283	42561
2	INSP.COVER,FOUR BRUSH	2	42381	42381	42381	42381
3	8-32 X 1/2 SLOTTED H W H	4	49379	49379	49379	49379
4	BELL HOUSING, DUAL BRUSH	1	42190	42190	42190	42190
5	ACORN NUT 1/4-20	3	49068	49068	49068	49068
6	HANDLE	2	67069	67069	67069	67069
7	BOTTOM PLATE NS	1	42448	42448	42448	42448
8	STRAIN RELIEF #SR-6P3-4	1	76026	76026	76026	76026
9	LEAD-IN CORD 15 AMP PLUG	1	22038	22038	22038	87085 (3077)
	LEAD-IN CORD 20 AMP PLUG	1				47580 (3077C)
10	SWITCH, LIGHTED ROCKER GR	2	42798	42798	42798	42798
11	KNOB, ELECTRONIC HEAT CONTROL	1	42556	42556	42556	42556
12	NAMEPLATE	1	12600	12600	12600	12608
13	RUBBER FEET 3/4IN HIGH	8	47155	47155	47155	47155
14	KNOB SHIPPING BRACKET	2	42150	42150	42150	42150
15	SHIPPING BRACKET ASSY	1	69839	69839	69839	69839
16	BRUSH HOLDER ASSY RED/WHT (Includes Brushes, Caps, Holders)	2	42382W	42382W	42382W	42382W
17	CAP, BRUSH HOLDER	4	42138	42138	42138	42138
18	CARBON BRUSH	4	55007	55007	55007	55007
19	DUAL BRUSH HOLDER W/LEADS	2	42436W	42436W	42436W	42436W

## Floss Pan and Whirlgrip Stabilizer

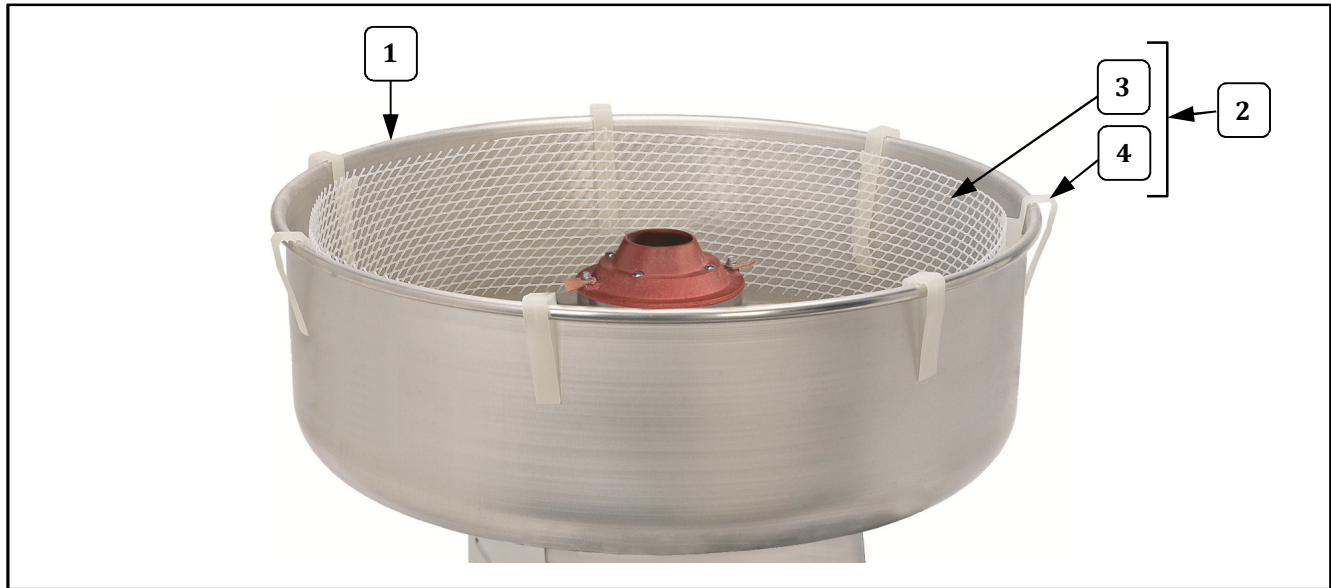


Item	Part Description	Qty.	Part Number			
			3017	3017SR	3017SS	3077 (3077C)
1	FLOSS PAN, ALUMINUM	1	42040	42040	42040	42040
2	WHIRLGRIP STABILIZER (Includes Floss Stabilizer and Clips)	1	3010	3010	3010	3010
3	FLOSS STABILIZER (Web)	1	43032	43032	43032	43032
4	WHIRLGRIP CLIPS	6	77470	77470	77470	77470

## Parts List - Floss Machine Exterior View

Item	Part Description	Qty.	Part Number			
			3017	3017SR	3017SS	3077 (3077C)
1	SPINNER HEAD COMPLETE 5IN	1	42283	42283	42283	42561
2	INSP.COVER,FOUR BRUSH	2	42381	42381	42381	42381
3	8-32 X 1/2 SLOTTED H W H	4	49379	49379	49379	49379
4	BELL HOUSING, DUAL BRUSH	1	42190	42190	42190	42190
5	ACORN NUT 1/4-20	3	49068	49068	49068	49068
6	HANDLE	2	67069	67069	67069	67069
7	BOTTOM PLATE NS	1	42448	42448	42448	42448
8	STRAIN RELIEF #SR-6P3-4	1	76026	76026	76026	76026
9	LEAD-IN CORD 15 AMP PLUG	1	22038	22038	22038	87085 (3077)
	LEAD-IN CORD 20 AMP PLUG	1				47580 (3077C)
10	SWITCH, LIGHTED ROCKER GR	2	42798	42798	42798	42798
11	KNOB, ELECTRONIC HEAT CONTROL	1	42556	42556	42556	42556
12	NAMEPLATE	1	12600	12600	12600	12608
13	RUBBER FEET 3/4IN HIGH	8	47155	47155	47155	47155
14	KNOB SHIPPING BRACKET	2	42150	42150	42150	42150
15	SHIPPING BRACKET ASSY	1	69839	69839	69839	69839
16	BRUSH HOLDER ASSY RED/WHT (Includes Brushes, Caps, Holders)	2	42382W	42382W	42382W	42382W
17	CAP, BRUSH HOLDER	4	42138	42138	42138	42138
18	CARBON BRUSH	4	55007	55007	55007	55007
19	DUAL BRUSH HOLDER W/LEADS	2	42436W	42436W	42436W	42436W

## Floss Pan and Whirlgrip Stabilizer

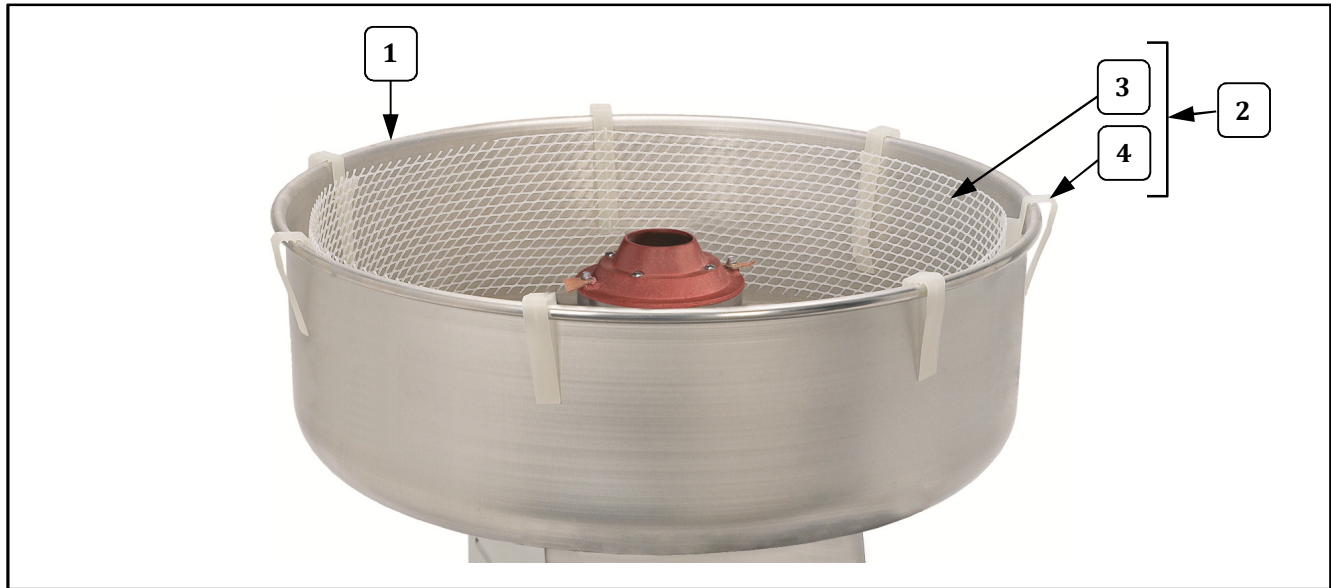


Item	Part Description	Qty.	Part Number			
			3017	3017SR	3017SS	3077 (3077C)
1	FLOSS PAN, ALUMINUM	1	42040	42040	42040	42040
2	WHIRLGRIP STABILIZER (Includes Floss Stabilizer and Clips)	1	3010	3010	3010	3010
3	FLOSS STABILIZER (Web)	1	43032	43032	43032	43032
4	WHIRLGRIP CLIPS	6	77470	77470	77470	77470

## Parts List - Floss Machine Exterior View

Item	Part Description	Qty.	Part Number			
			3017	3017SR	3017SS	3077 (3077C)
1	SPINNER HEAD COMPLETE 5IN	1	42283	42283	42283	42561
2	INSP.COVER,FOUR BRUSH	2	42381	42381	42381	42381
3	8-32 X 1/2 SLOTTED H W H	4	49379	49379	49379	49379
4	BELL HOUSING, DUAL BRUSH	1	42190	42190	42190	42190
5	ACORN NUT 1/4-20	3	49068	49068	49068	49068
6	HANDLE	2	67069	67069	67069	67069
7	BOTTOM PLATE NS	1	42448	42448	42448	42448
8	STRAIN RELIEF #SR-6P3-4	1	76026	76026	76026	76026
9	LEAD-IN CORD 15 AMP PLUG	1	22038	22038	22038	87085 (3077)
	LEAD-IN CORD 20 AMP PLUG	1				47580 (3077C)
10	SWITCH, LIGHTED ROCKER GR	2	42798	42798	42798	42798
11	KNOB, ELECTRONIC HEAT CONTROL	1	42556	42556	42556	42556
12	NAMEPLATE	1	12600	12600	12600	12608
13	RUBBER FEET 3/4IN HIGH	8	47155	47155	47155	47155
14	KNOB SHIPPING BRACKET	2	42150	42150	42150	42150
15	SHIPPING BRACKET ASSY	1	69839	69839	69839	69839
16	BRUSH HOLDER ASSY RED/WHT (Includes Brushes, Caps, Holders)	2	42382W	42382W	42382W	42382W
17	CAP, BRUSH HOLDER	4	42138	42138	42138	42138
18	CARBON BRUSH	4	55007	55007	55007	55007
19	DUAL BRUSH HOLDER W/LEADS	2	42436W	42436W	42436W	42436W

## Floss Pan and Whirlgrip Stabilizer

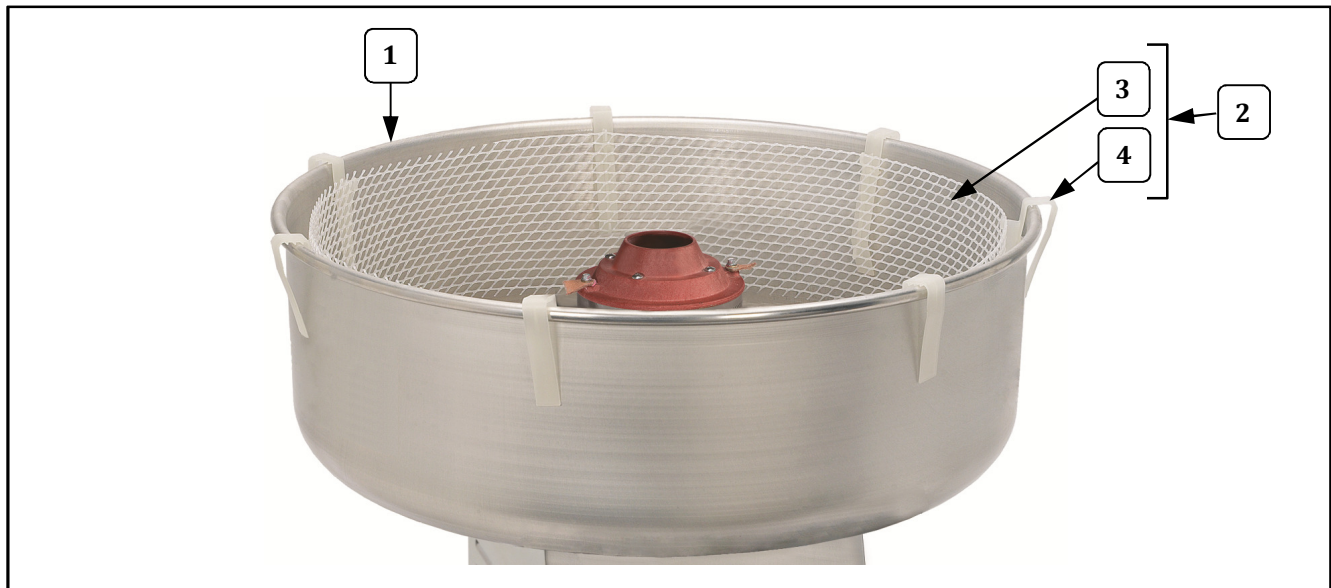


Item	Part Description	Qty.	Part Number			
			3017	3017SR	3017SS	3077 (3077C)
1	FLOSS PAN, ALUMINUM	1	42040	42040	42040	42040
2	WHIRLGRIP STABILIZER (Includes Floss Stabilizer and Clips)	1	3010	3010	3010	3010
3	FLOSS STABILIZER (Web)	1	43032	43032	43032	43032
4	WHIRLGRIP CLIPS	6	77470	77470	77470	77470

## Parts List - Floss Machine Exterior View

Item	Part Description	Qty.	Part Number			
			3017	3017SR	3017SS	3077 (3077C)
1	SPINNER HEAD COMPLETE 5IN	1	42283	42283	42283	42561
2	INSP.COVER,FOUR BRUSH	2	42381	42381	42381	42381
3	8-32 X 1/2 SLOTTED H W H	4	49379	49379	49379	49379
4	BELL HOUSING, DUAL BRUSH	1	42190	42190	42190	42190
5	ACORN NUT 1/4-20	3	49068	49068	49068	49068
6	HANDLE	2	67069	67069	67069	67069
7	BOTTOM PLATE NS	1	42448	42448	42448	42448
8	STRAIN RELIEF #SR-6P3-4	1	76026	76026	76026	76026
9	LEAD-IN CORD 15 AMP PLUG	1	22038	22038	22038	87085 (3077)
	LEAD-IN CORD 20 AMP PLUG	1				47580 (3077C)
10	SWITCH, LIGHTED ROCKER GR	2	42798	42798	42798	42798
11	KNOB, ELECTRONIC HEAT CONTROL	1	42556	42556	42556	42556
12	NAMEPLATE	1	12600	12600	12600	12608
13	RUBBER FEET 3/4IN HIGH	8	47155	47155	47155	47155
14	KNOB SHIPPING BRACKET	2	42150	42150	42150	42150
15	SHIPPING BRACKET ASSY	1	69839	69839	69839	69839
16	BRUSH HOLDER ASSY RED/WHT (Includes Brushes, Caps, Holders)	2	42382W	42382W	42382W	42382W
17	CAP, BRUSH HOLDER	4	42138	42138	42138	42138
18	CARBON BRUSH	4	55007	55007	55007	55007
19	DUAL BRUSH HOLDER W/LEADS	2	42436W	42436W	42436W	42436W

## Floss Pan and Whirlgrip Stabilizer

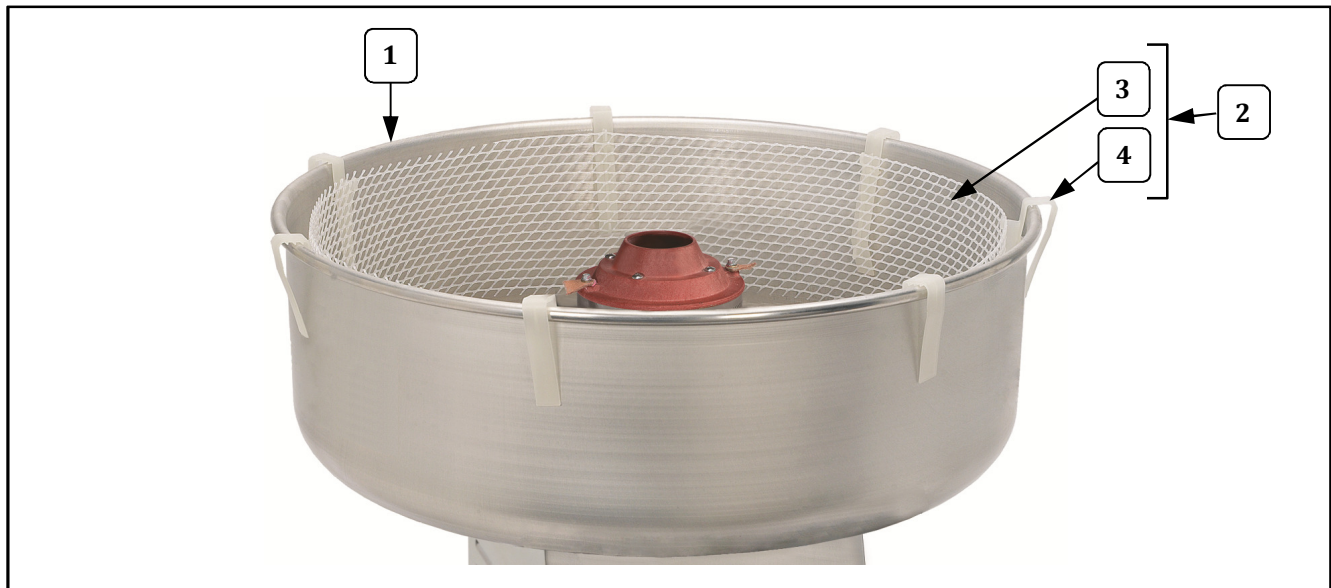


Item	Part Description	Qty.	Part Number			
			3017	3017SR	3017SS	3077 (3077C)
1	FLOSS PAN, ALUMINUM	1	42040	42040	42040	42040
2	WHIRLGRIP STABILIZER (Includes Floss Stabilizer and Clips)	1	3010	3010	3010	3010
3	FLOSS STABILIZER (Web)	1	43032	43032	43032	43032
4	WHIRLGRIP CLIPS	6	77470	77470	77470	77470

## Parts List - Floss Machine Exterior View

Item	Part Description	Qty.	Part Number			
			3017	3017SR	3017SS	3077 (3077C)
1	SPINNER HEAD COMPLETE 5IN	1	42283	42283	42283	42561
2	INSP.COVER,FOUR BRUSH	2	42381	42381	42381	42381
3	8-32 X 1/2 SLOTTED H W H	4	49379	49379	49379	49379
4	BELL HOUSING, DUAL BRUSH	1	42190	42190	42190	42190
5	ACORN NUT 1/4-20	3	49068	49068	49068	49068
6	HANDLE	2	67069	67069	67069	67069
7	BOTTOM PLATE NS	1	42448	42448	42448	42448
8	STRAIN RELIEF #SR-6P3-4	1	76026	76026	76026	76026
9	LEAD-IN CORD 15 AMP PLUG	1	22038	22038	22038	87085 (3077)
	LEAD-IN CORD 20 AMP PLUG	1				47580 (3077C)
10	SWITCH, LIGHTED ROCKER GR	2	42798	42798	42798	42798
11	KNOB, ELECTRONIC HEAT CONTROL	1	42556	42556	42556	42556
12	NAMEPLATE	1	12600	12600	12600	12608
13	RUBBER FEET 3/4IN HIGH	8	47155	47155	47155	47155
14	KNOB SHIPPING BRACKET	2	42150	42150	42150	42150
15	SHIPPING BRACKET ASSY	1	69839	69839	69839	69839
16	BRUSH HOLDER ASSY RED/WHT (Includes Brushes, Caps, Holders)	2	42382W	42382W	42382W	42382W
17	CAP, BRUSH HOLDER	4	42138	42138	42138	42138
18	CARBON BRUSH	4	55007	55007	55007	55007
19	DUAL BRUSH HOLDER W/LEADS	2	42436W	42436W	42436W	42436W

## Floss Pan and Whirlgrip Stabilizer

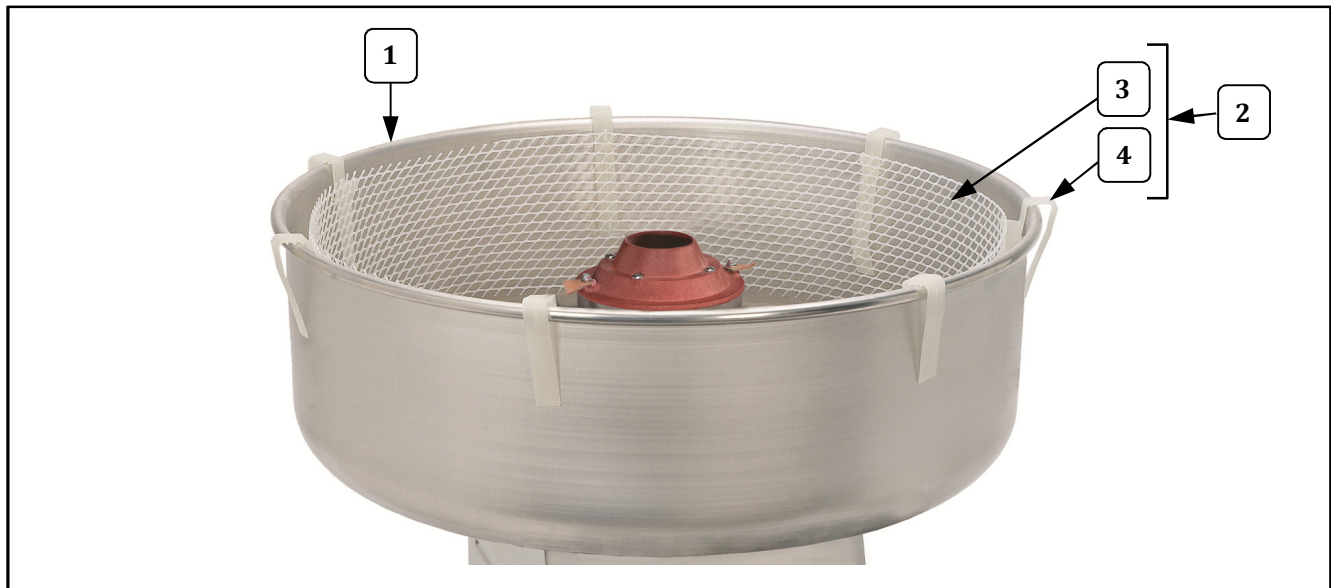


Item	Part Description	Qty.	Part Number			
			3017	3017SR	3017SS	3077 (3077C)
1	FLOSS PAN, ALUMINUM	1	42040	42040	42040	42040
2	WHIRLGRIP STABILIZER (Includes Floss Stabilizer and Clips)	1	3010	3010	3010	3010
3	FLOSS STABILIZER (Web)	1	43032	43032	43032	43032
4	WHIRLGRIP CLIPS	6	77470	77470	77470	77470

## Parts List - Floss Machine Exterior View

Item	Part Description	Qty.	Part Number			
			3017	3017SR	3017SS	3077 (3077C)
1	SPINNER HEAD COMPLETE 5IN	1	42283	42283	42283	42561
2	INSP.COVER,FOUR BRUSH	2	42381	42381	42381	42381
3	8-32 X 1/2 SLOTTED H W H	4	49379	49379	49379	49379
4	BELL HOUSING, DUAL BRUSH	1	42190	42190	42190	42190
5	ACORN NUT 1/4-20	3	49068	49068	49068	49068
6	HANDLE	2	67069	67069	67069	67069
7	BOTTOM PLATE NS	1	42448	42448	42448	42448
8	STRAIN RELIEF #SR-6P3-4	1	76026	76026	76026	76026
9	LEAD-IN CORD 15 AMP PLUG	1	22038	22038	22038	87085 (3077)
	LEAD-IN CORD 20 AMP PLUG	1				47580 (3077C)
10	SWITCH, LIGHTED ROCKER GR	2	42798	42798	42798	42798
11	KNOB, ELECTRONIC HEAT CONTROL	1	42556	42556	42556	42556
12	NAMEPLATE	1	12600	12600	12600	12608
13	RUBBER FEET 3/4IN HIGH	8	47155	47155	47155	47155
14	KNOB SHIPPING BRACKET	2	42150	42150	42150	42150
15	SHIPPING BRACKET ASSY	1	69839	69839	69839	69839
16	BRUSH HOLDER ASSY RED/WHT (Includes Brushes, Caps, Holders)	2	42382W	42382W	42382W	42382W
17	CAP, BRUSH HOLDER	4	42138	42138	42138	42138
18	CARBON BRUSH	4	55007	55007	55007	55007
19	DUAL BRUSH HOLDER W/LEADS	2	42436W	42436W	42436W	42436W

## Floss Pan and Whirlgrip Stabilizer

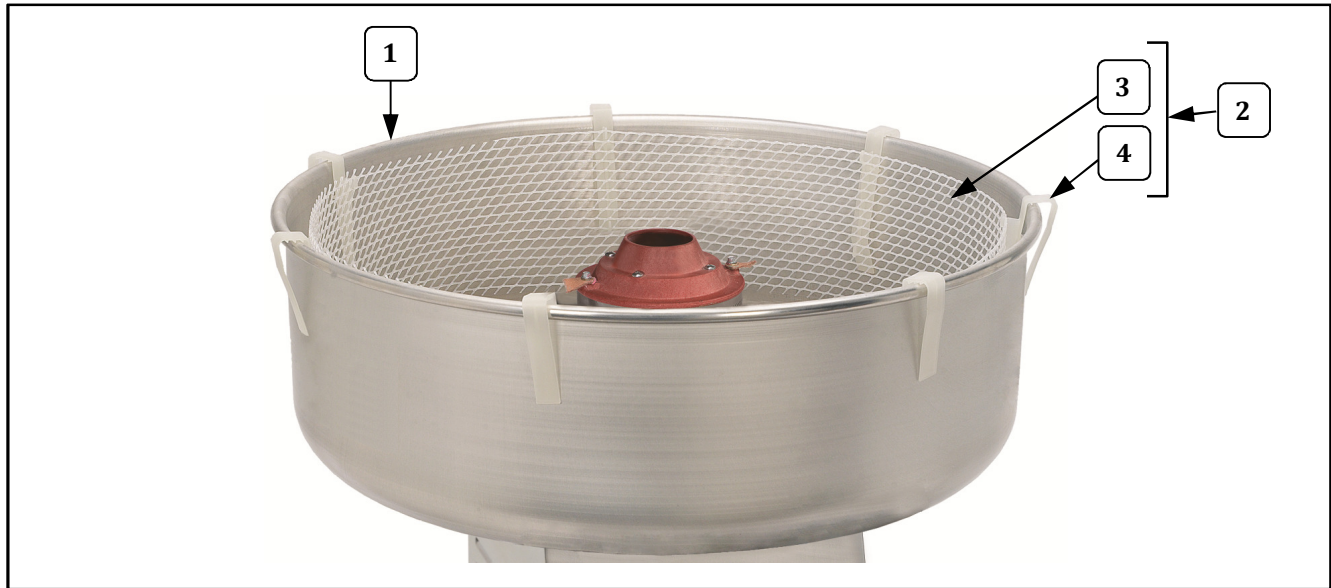


Item	Part Description	Qty.	Part Number			
			3017	3017SR	3017SS	3077 (3077C)
1	FLOSS PAN, ALUMINUM	1	42040	42040	42040	42040
2	WHIRLGRIP STABILIZER (Includes Floss Stabilizer and Clips)	1	3010	3010	3010	3010
3	FLOSS STABILIZER (Web)	1	43032	43032	43032	43032
4	WHIRLGRIP CLIPS	6	77470	77470	77470	77470

## Parts List - Floss Machine Exterior View

Item	Part Description	Qty.	Part Number			
			3017	3017SR	3017SS	3077 (3077C)
1	SPINNER HEAD COMPLETE 5IN	1	42283	42283	42283	42561
2	INSP.COVER,FOUR BRUSH	2	42381	42381	42381	42381
3	8-32 X 1/2 SLOTTED H W H	4	49379	49379	49379	49379
4	BELL HOUSING, DUAL BRUSH	1	42190	42190	42190	42190
5	ACORN NUT 1/4-20	3	49068	49068	49068	49068
6	HANDLE	2	67069	67069	67069	67069
7	BOTTOM PLATE NS	1	42448	42448	42448	42448
8	STRAIN RELIEF #SR-6P3-4	1	76026	76026	76026	76026
9	LEAD-IN CORD 15 AMP PLUG	1	22038	22038	22038	87085 (3077)
	LEAD-IN CORD 20 AMP PLUG	1				47580 (3077C)
10	SWITCH, LIGHTED ROCKER GR	2	42798	42798	42798	42798
11	KNOB, ELECTRONIC HEAT CONTROL	1	42556	42556	42556	42556
12	NAMEPLATE	1	12600	12600	12600	12608
13	RUBBER FEET 3/4IN HIGH	8	47155	47155	47155	47155
14	KNOB SHIPPING BRACKET	2	42150	42150	42150	42150
15	SHIPPING BRACKET ASSY	1	69839	69839	69839	69839
16	BRUSH HOLDER ASSY RED/WHT (Includes Brushes, Caps, Holders)	2	42382W	42382W	42382W	42382W
17	CAP, BRUSH HOLDER	4	42138	42138	42138	42138
18	CARBON BRUSH	4	55007	55007	55007	55007
19	DUAL BRUSH HOLDER W/LEADS	2	42436W	42436W	42436W	42436W

## Floss Pan and Whirlgrip Stabilizer

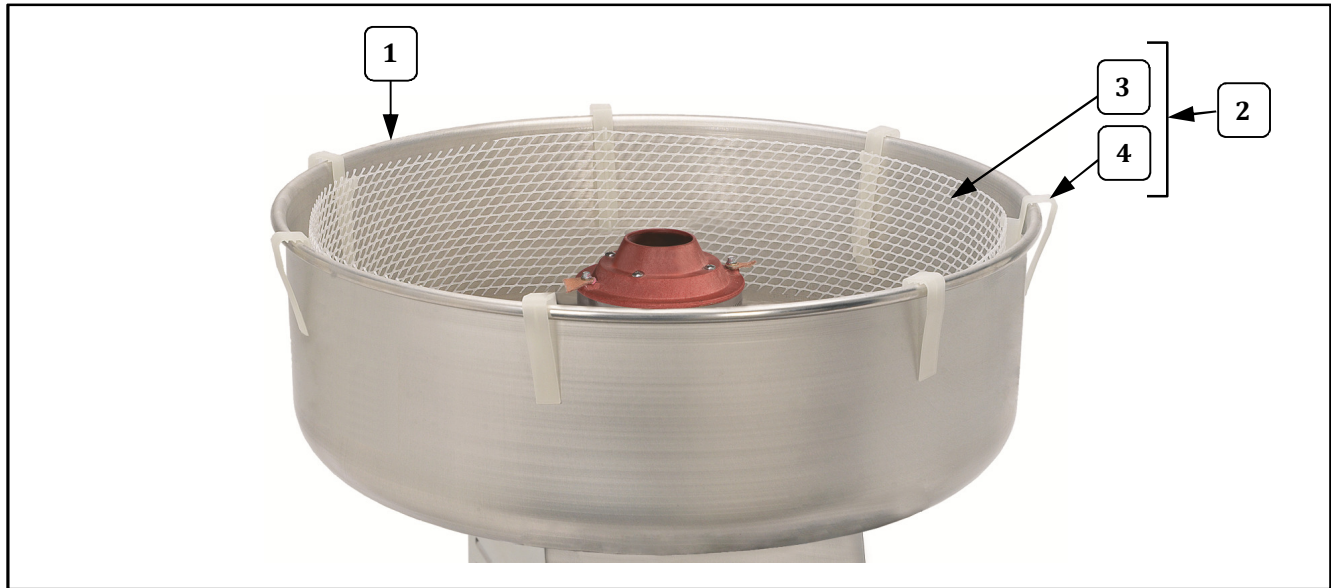


Item	Part Description	Qty.	Part Number			
			3017	3017SR	3017SS	3077 (3077C)
1	FLOSS PAN, ALUMINUM	1	42040	42040	42040	42040
2	WHIRLGRIP STABILIZER (Includes Floss Stabilizer and Clips)	1	3010	3010	3010	3010
3	FLOSS STABILIZER (Web)	1	43032	43032	43032	43032
4	WHIRLGRIP CLIPS	6	77470	77470	77470	77470

## Parts List - Floss Machine Exterior View

Item	Part Description	Qty.	Part Number			
			3017	3017SR	3017SS	3077 (3077C)
1	SPINNER HEAD COMPLETE 5IN	1	42283	42283	42283	42561
2	INSP.COVER,FOUR BRUSH	2	42381	42381	42381	42381
3	8-32 X 1/2 SLOTTED H W H	4	49379	49379	49379	49379
4	BELL HOUSING, DUAL BRUSH	1	42190	42190	42190	42190
5	ACORN NUT 1/4-20	3	49068	49068	49068	49068
6	HANDLE	2	67069	67069	67069	67069
7	BOTTOM PLATE NS	1	42448	42448	42448	42448
8	STRAIN RELIEF #SR-6P3-4	1	76026	76026	76026	76026
9	LEAD-IN CORD 15 AMP PLUG	1	22038	22038	22038	87085 (3077)
	LEAD-IN CORD 20 AMP PLUG	1				47580 (3077C)
10	SWITCH, LIGHTED ROCKER GR	2	42798	42798	42798	42798
11	KNOB, ELECTRONIC HEAT CONTROL	1	42556	42556	42556	42556
12	NAMEPLATE	1	12600	12600	12600	12608
13	RUBBER FEET 3/4IN HIGH	8	47155	47155	47155	47155
14	KNOB SHIPPING BRACKET	2	42150	42150	42150	42150
15	SHIPPING BRACKET ASSY	1	69839	69839	69839	69839
16	BRUSH HOLDER ASSY RED/WHT (Includes Brushes, Caps, Holders)	2	42382W	42382W	42382W	42382W
17	CAP, BRUSH HOLDER	4	42138	42138	42138	42138
18	CARBON BRUSH	4	55007	55007	55007	55007
19	DUAL BRUSH HOLDER W/LEADS	2	42436W	42436W	42436W	42436W

## Floss Pan and Whirlgrip Stabilizer

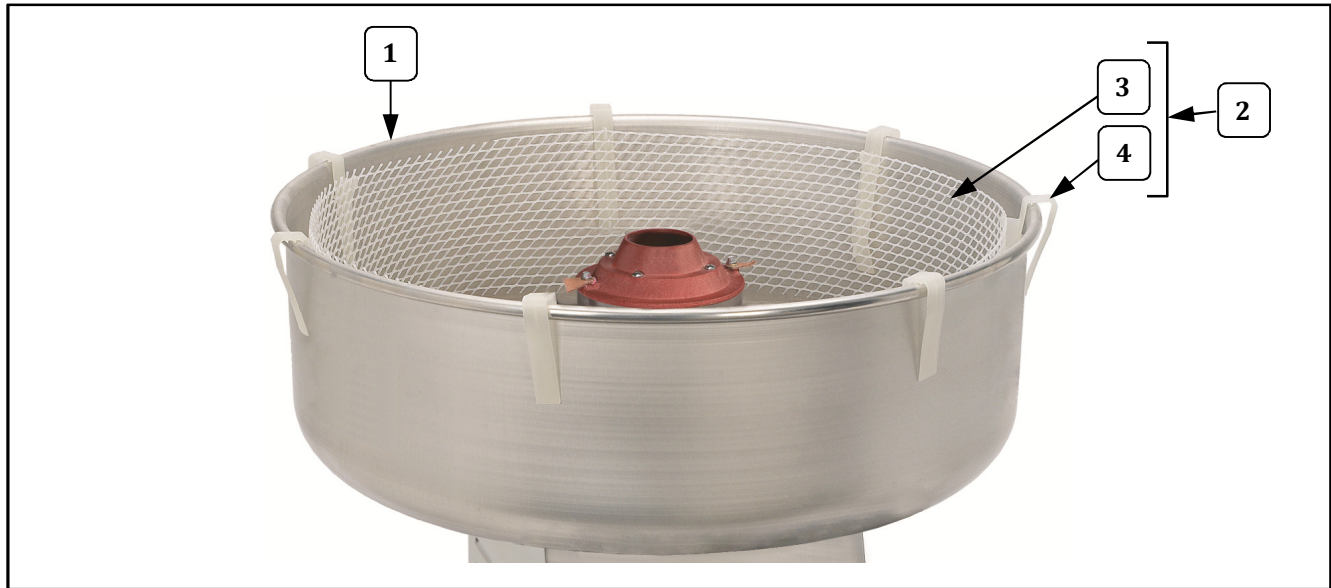


Item	Part Description	Qty.	Part Number			
			3017	3017SR	3017SS	3077 (3077C)
1	FLOSS PAN, ALUMINUM	1	42040	42040	42040	42040
2	WHIRLGRIP STABILIZER (Includes Floss Stabilizer and Clips)	1	3010	3010	3010	3010
3	FLOSS STABILIZER (Web)	1	43032	43032	43032	43032
4	WHIRLGRIP CLIPS	6	77470	77470	77470	77470

## Parts List - Floss Machine Exterior View

Item	Part Description	Qty.	Part Number			
			3017	3017SR	3017SS	3077 (3077C)
1	SPINNER HEAD COMPLETE 5IN	1	42283	42283	42283	42561
2	INSP.COVER,FOUR BRUSH	2	42381	42381	42381	42381
3	8-32 X 1/2 SLOTTED H W H	4	49379	49379	49379	49379
4	BELL HOUSING, DUAL BRUSH	1	42190	42190	42190	42190
5	ACORN NUT 1/4-20	3	49068	49068	49068	49068
6	HANDLE	2	67069	67069	67069	67069
7	BOTTOM PLATE NS	1	42448	42448	42448	42448
8	STRAIN RELIEF #SR-6P3-4	1	76026	76026	76026	76026
9	LEAD-IN CORD 15 AMP PLUG	1	22038	22038	22038	87085 (3077)
	LEAD-IN CORD 20 AMP PLUG	1				47580 (3077C)
10	SWITCH, LIGHTED ROCKER GR	2	42798	42798	42798	42798
11	KNOB, ELECTRONIC HEAT CONTROL	1	42556	42556	42556	42556
12	NAMEPLATE	1	12600	12600	12600	12608
13	RUBBER FEET 3/4IN HIGH	8	47155	47155	47155	47155
14	KNOB SHIPPING BRACKET	2	42150	42150	42150	42150
15	SHIPPING BRACKET ASSY	1	69839	69839	69839	69839
16	BRUSH HOLDER ASSY RED/WHT (Includes Brushes, Caps, Holders)	2	42382W	42382W	42382W	42382W
17	CAP, BRUSH HOLDER	4	42138	42138	42138	42138
18	CARBON BRUSH	4	55007	55007	55007	55007
19	DUAL BRUSH HOLDER W/LEADS	2	42436W	42436W	42436W	42436W

## Floss Pan and Whirlgrip Stabilizer

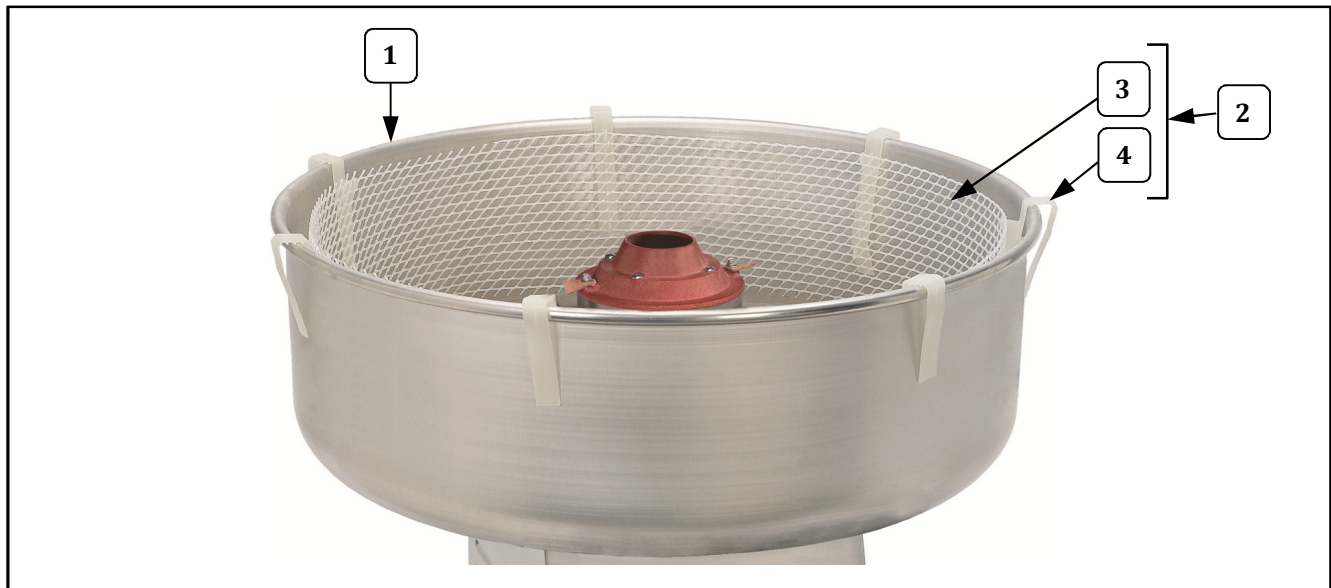


Item	Part Description	Qty.	Part Number			
			3017	3017SR	3017SS	3077 (3077C)
1	FLOSS PAN, ALUMINUM	1	42040	42040	42040	42040
2	WHIRLGRIP STABILIZER (Includes Floss Stabilizer and Clips)	1	3010	3010	3010	3010
3	FLOSS STABILIZER (Web)	1	43032	43032	43032	43032
4	WHIRLGRIP CLIPS	6	77470	77470	77470	77470

## Parts List - Floss Machine Exterior View

Item	Part Description	Qty.	Part Number			
			3017	3017SR	3017SS	3077 (3077C)
1	SPINNER HEAD COMPLETE 5IN	1	42283	42283	42283	42561
2	INSP.COVER,FOUR BRUSH	2	42381	42381	42381	42381
3	8-32 X 1/2 SLOTTED H W H	4	49379	49379	49379	49379
4	BELL HOUSING, DUAL BRUSH	1	42190	42190	42190	42190
5	ACORN NUT 1/4-20	3	49068	49068	49068	49068
6	HANDLE	2	67069	67069	67069	67069
7	BOTTOM PLATE NS	1	42448	42448	42448	42448
8	STRAIN RELIEF #SR-6P3-4	1	76026	76026	76026	76026
9	LEAD-IN CORD 15 AMP PLUG	1	22038	22038	22038	87085 (3077)
	LEAD-IN CORD 20 AMP PLUG	1				47580 (3077C)
10	SWITCH, LIGHTED ROCKER GR	2	42798	42798	42798	42798
11	KNOB, ELECTRONIC HEAT CONTROL	1	42556	42556	42556	42556
12	NAMEPLATE	1	12600	12600	12600	12608
13	RUBBER FEET 3/4IN HIGH	8	47155	47155	47155	47155
14	KNOB SHIPPING BRACKET	2	42150	42150	42150	42150
15	SHIPPING BRACKET ASSY	1	69839	69839	69839	69839
16	BRUSH HOLDER ASSY RED/WHT (Includes Brushes, Caps, Holders)	2	42382W	42382W	42382W	42382W
17	CAP, BRUSH HOLDER	4	42138	42138	42138	42138
18	CARBON BRUSH	4	55007	55007	55007	55007
19	DUAL BRUSH HOLDER W/LEADS	2	42436W	42436W	42436W	42436W

## Floss Pan and Whirlgrip Stabilizer

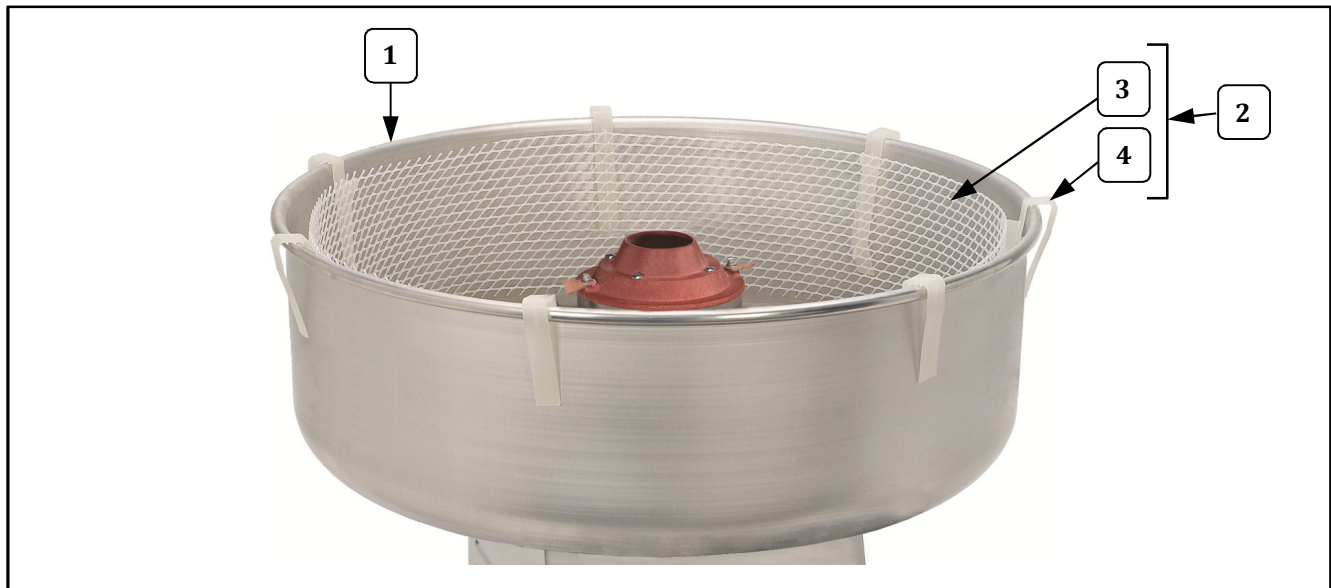


Item	Part Description	Qty.	Part Number			
			3017	3017SR	3017SS	3077 (3077C)
1	FLOSS PAN, ALUMINUM	1	42040	42040	42040	42040
2	WHIRLGRIP STABILIZER (Includes Floss Stabilizer and Clips)	1	3010	3010	3010	3010
3	FLOSS STABILIZER (Web)	1	43032	43032	43032	43032
4	WHIRLGRIP CLIPS	6	77470	77470	77470	77470

## Parts List - Floss Machine Exterior View

Item	Part Description	Qty.	Part Number			
			3017	3017SR	3017SS	3077 (3077C)
1	SPINNER HEAD COMPLETE 5IN	1	42283	42283	42283	42561
2	INSP.COVER,FOUR BRUSH	2	42381	42381	42381	42381
3	8-32 X 1/2 SLOTTED H W H	4	49379	49379	49379	49379
4	BELL HOUSING, DUAL BRUSH	1	42190	42190	42190	42190
5	ACORN NUT 1/4-20	3	49068	49068	49068	49068
6	HANDLE	2	67069	67069	67069	67069
7	BOTTOM PLATE NS	1	42448	42448	42448	42448
8	STRAIN RELIEF #SR-6P3-4	1	76026	76026	76026	76026
9	LEAD-IN CORD 15 AMP PLUG	1	22038	22038	22038	87085 (3077)
	LEAD-IN CORD 20 AMP PLUG	1				47580 (3077C)
10	SWITCH, LIGHTED ROCKER GR	2	42798	42798	42798	42798
11	KNOB, ELECTRONIC HEAT CONTROL	1	42556	42556	42556	42556
12	NAMEPLATE	1	12600	12600	12600	12608
13	RUBBER FEET 3/4IN HIGH	8	47155	47155	47155	47155
14	KNOB SHIPPING BRACKET	2	42150	42150	42150	42150
15	SHIPPING BRACKET ASSY	1	69839	69839	69839	69839
16	BRUSH HOLDER ASSY RED/WHT (Includes Brushes, Caps, Holders)	2	42382W	42382W	42382W	42382W
17	CAP, BRUSH HOLDER	4	42138	42138	42138	42138
18	CARBON BRUSH	4	55007	55007	55007	55007
19	DUAL BRUSH HOLDER W/LEADS	2	42436W	42436W	42436W	42436W

## Floss Pan and Whirlgrip Stabilizer

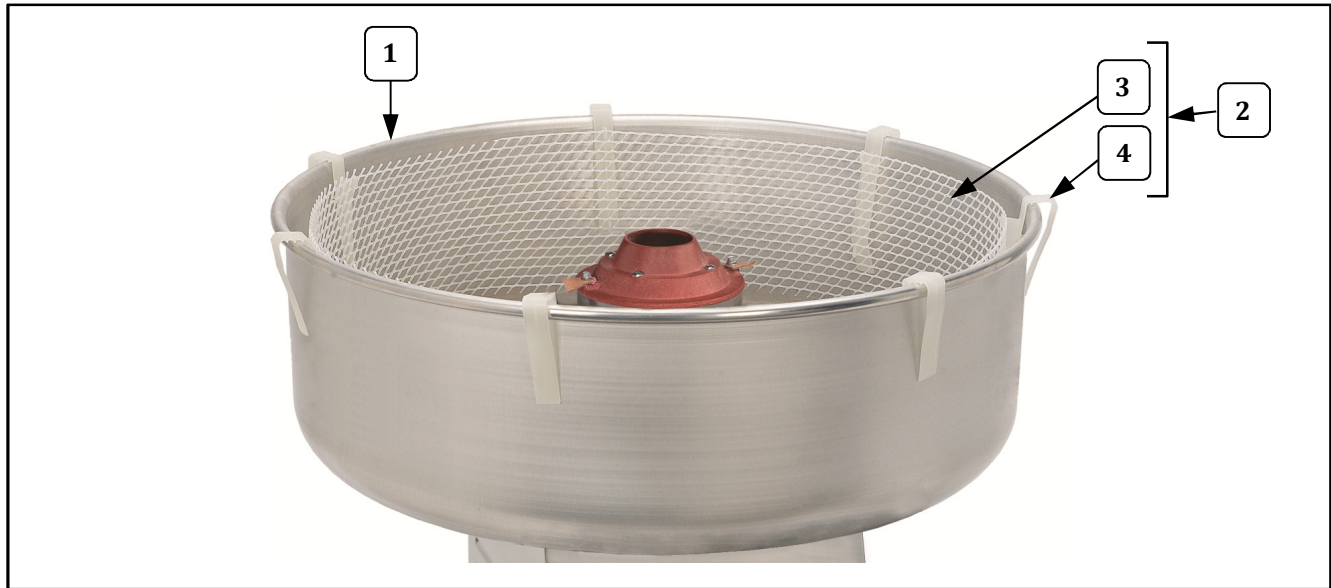


Item	Part Description	Qty.	Part Number			
			3017	3017SR	3017SS	3077 (3077C)
1	FLOSS PAN, ALUMINUM	1	42040	42040	42040	42040
2	WHIRLGRIP STABILIZER (Includes Floss Stabilizer and Clips)	1	3010	3010	3010	3010
3	FLOSS STABILIZER (Web)	1	43032	43032	43032	43032
4	WHIRLGRIP CLIPS	6	77470	77470	77470	77470

## Parts List - Floss Machine Exterior View

Item	Part Description	Qty.	Part Number			
			3017	3017SR	3017SS	3077 (3077C)
1	SPINNER HEAD COMPLETE 5IN	1	42283	42283	42283	42561
2	INSP.COVER,FOUR BRUSH	2	42381	42381	42381	42381
3	8-32 X 1/2 SLOTTED H W H	4	49379	49379	49379	49379
4	BELL HOUSING, DUAL BRUSH	1	42190	42190	42190	42190
5	ACORN NUT 1/4-20	3	49068	49068	49068	49068
6	HANDLE	2	67069	67069	67069	67069
7	BOTTOM PLATE NS	1	42448	42448	42448	42448
8	STRAIN RELIEF #SR-6P3-4	1	76026	76026	76026	76026
9	LEAD-IN CORD 15 AMP PLUG	1	22038	22038	22038	87085 (3077)
	LEAD-IN CORD 20 AMP PLUG	1				47580 (3077C)
10	SWITCH, LIGHTED ROCKER GR	2	42798	42798	42798	42798
11	KNOB, ELECTRONIC HEAT CONTROL	1	42556	42556	42556	42556
12	NAMEPLATE	1	12600	12600	12600	12608
13	RUBBER FEET 3/4IN HIGH	8	47155	47155	47155	47155
14	KNOB SHIPPING BRACKET	2	42150	42150	42150	42150
15	SHIPPING BRACKET ASSY	1	69839	69839	69839	69839
16	BRUSH HOLDER ASSY RED/WHT (Includes Brushes, Caps, Holders)	2	42382W	42382W	42382W	42382W
17	CAP, BRUSH HOLDER	4	42138	42138	42138	42138
18	CARBON BRUSH	4	55007	55007	55007	55007
19	DUAL BRUSH HOLDER W/LEADS	2	42436W	42436W	42436W	42436W

## Floss Pan and Whirlgrip Stabilizer

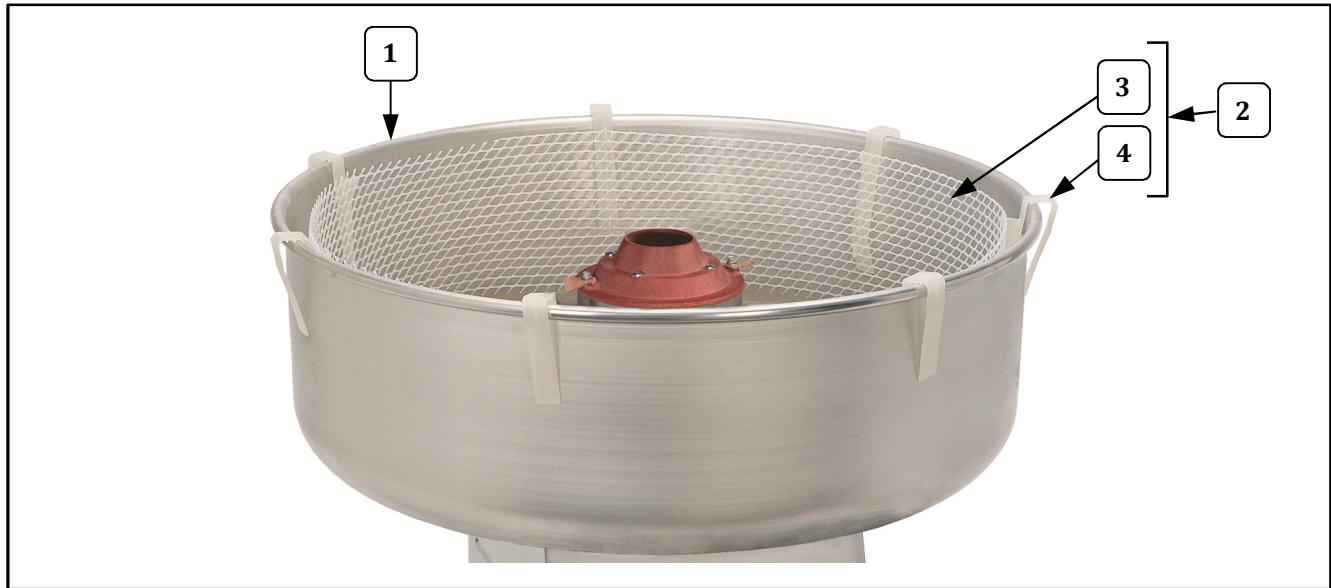


Item	Part Description	Qty.	Part Number			
			3017	3017SR	3017SS	3077 (3077C)
1	FLOSS PAN, ALUMINUM	1	42040	42040	42040	42040
2	WHIRLGRIP STABILIZER (Includes Floss Stabilizer and Clips)	1	3010	3010	3010	3010
3	FLOSS STABILIZER (Web)	1	43032	43032	43032	43032
4	WHIRLGRIP CLIPS	6	77470	77470	77470	77470

## Parts List - Floss Machine Exterior View

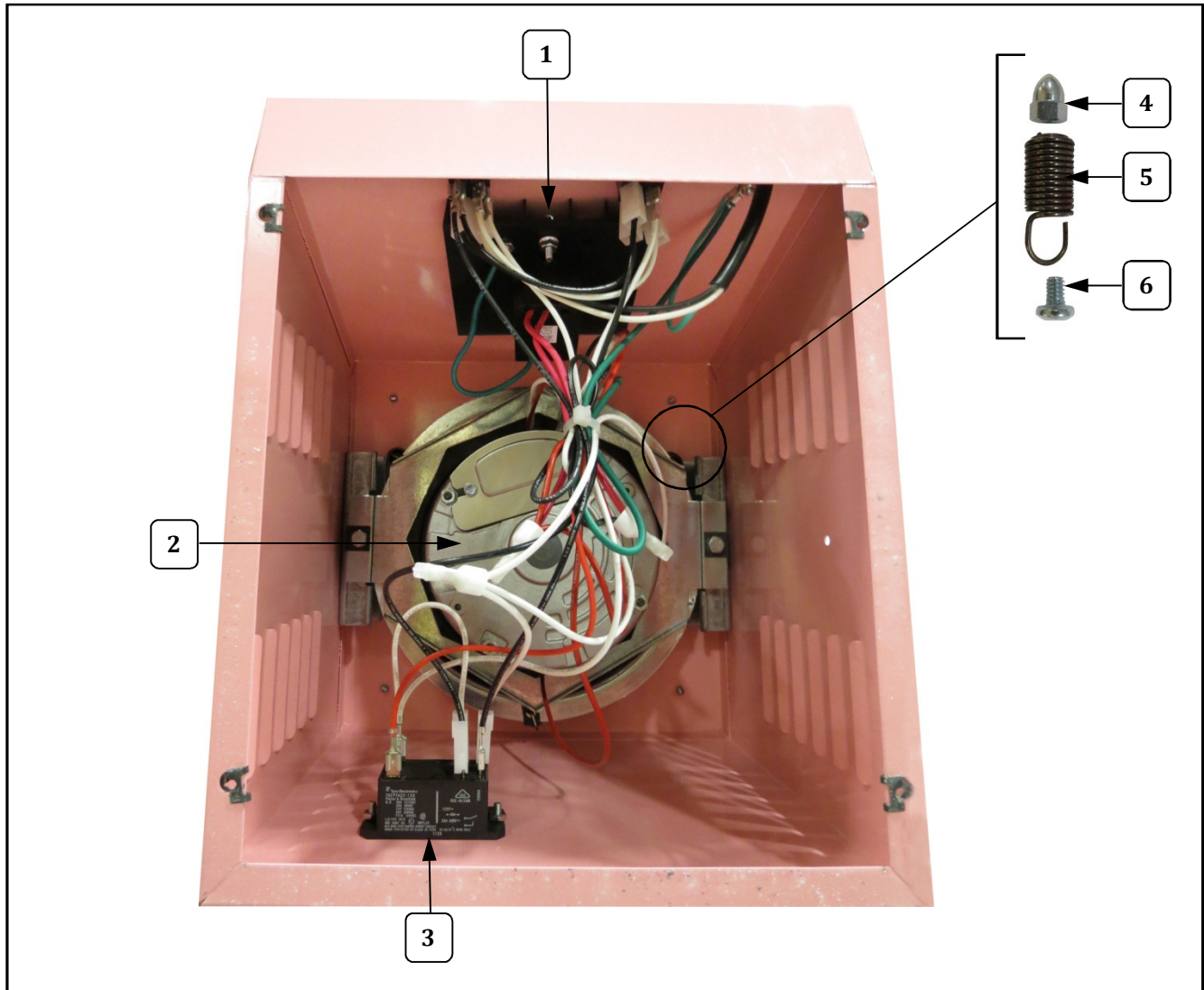
Item	Part Description	Qty.	Part Number			
			3017	3017SR	3017SS	3077 (3077C)
1	SPINNER HEAD COMPLETE 5IN	1	42283	42283	42283	42561
2	INSP.COVER,FOUR BRUSH	2	42381	42381	42381	42381
3	8-32 X 1/2 SLOTTED H W H	4	49379	49379	49379	49379
4	BELL HOUSING, DUAL BRUSH	1	42190	42190	42190	42190
5	ACORN NUT 1/4-20	3	49068	49068	49068	49068
6	HANDLE	2	67069	67069	67069	67069
7	BOTTOM PLATE NS	1	42448	42448	42448	42448
8	STRAIN RELIEF #SR-6P3-4	1	76026	76026	76026	76026
9	LEAD-IN CORD 15 AMP PLUG	1	22038	22038	22038	87085 (3077)
	LEAD-IN CORD 20 AMP PLUG	1				47580 (3077C)
10	SWITCH, LIGHTED ROCKER GR	2	42798	42798	42798	42798
11	KNOB, ELECTRONIC HEAT CONTROL	1	42556	42556	42556	42556
12	NAMEPLATE	1	12600	12600	12600	12608
13	RUBBER FEET 3/4IN HIGH	8	47155	47155	47155	47155
14	KNOB SHIPPING BRACKET	2	42150	42150	42150	42150
15	SHIPPING BRACKET ASSY	1	69839	69839	69839	69839
16	BRUSH HOLDER ASSY RED/WHT (Includes Brushes, Caps, Holders)	2	42382W	42382W	42382W	42382W
17	CAP, BRUSH HOLDER	4	42138	42138	42138	42138
18	CARBON BRUSH	4	55007	55007	55007	55007
19	DUAL BRUSH HOLDER W/LEADS	2	42436W	42436W	42436W	42436W

## Floss Pan and Whirlgrip Stabilizer



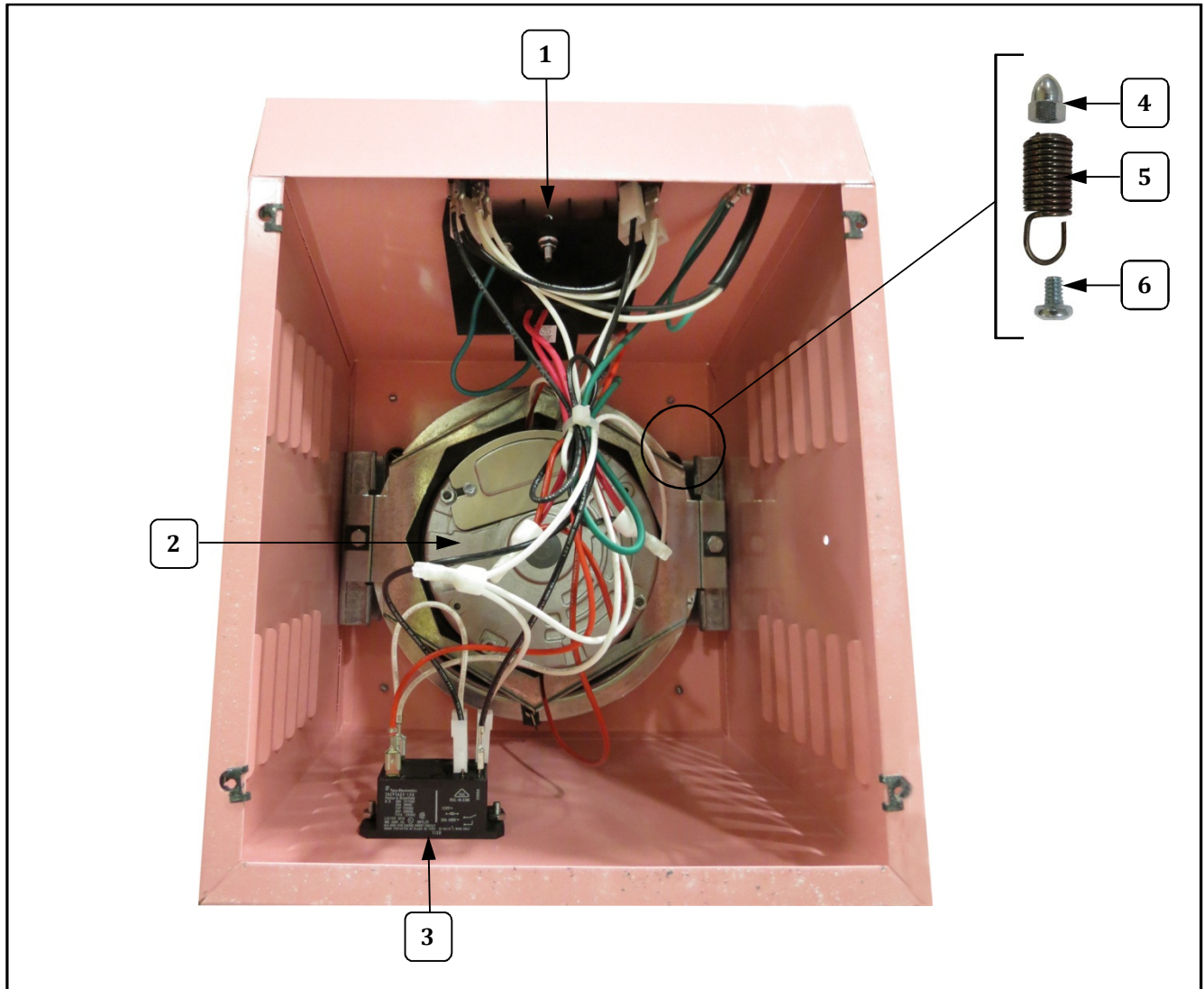
Item	Part Description	Qty.	Part Number			
			3017	3017SR	3017SS	3077 (3077C)
1	FLOSS PAN, ALUMINUM	1	42040	42040	42040	42040
2	WHIRLGRIP STABILIZER (Includes Floss Stabilizer and Clips)	1	3010	3010	3010	3010
3	FLOSS STABILIZER (Web)	1	43032	43032	43032	43032
4	WHIRLGRIP CLIPS	6	77470	77470	77470	77470

## Cabinet Interior



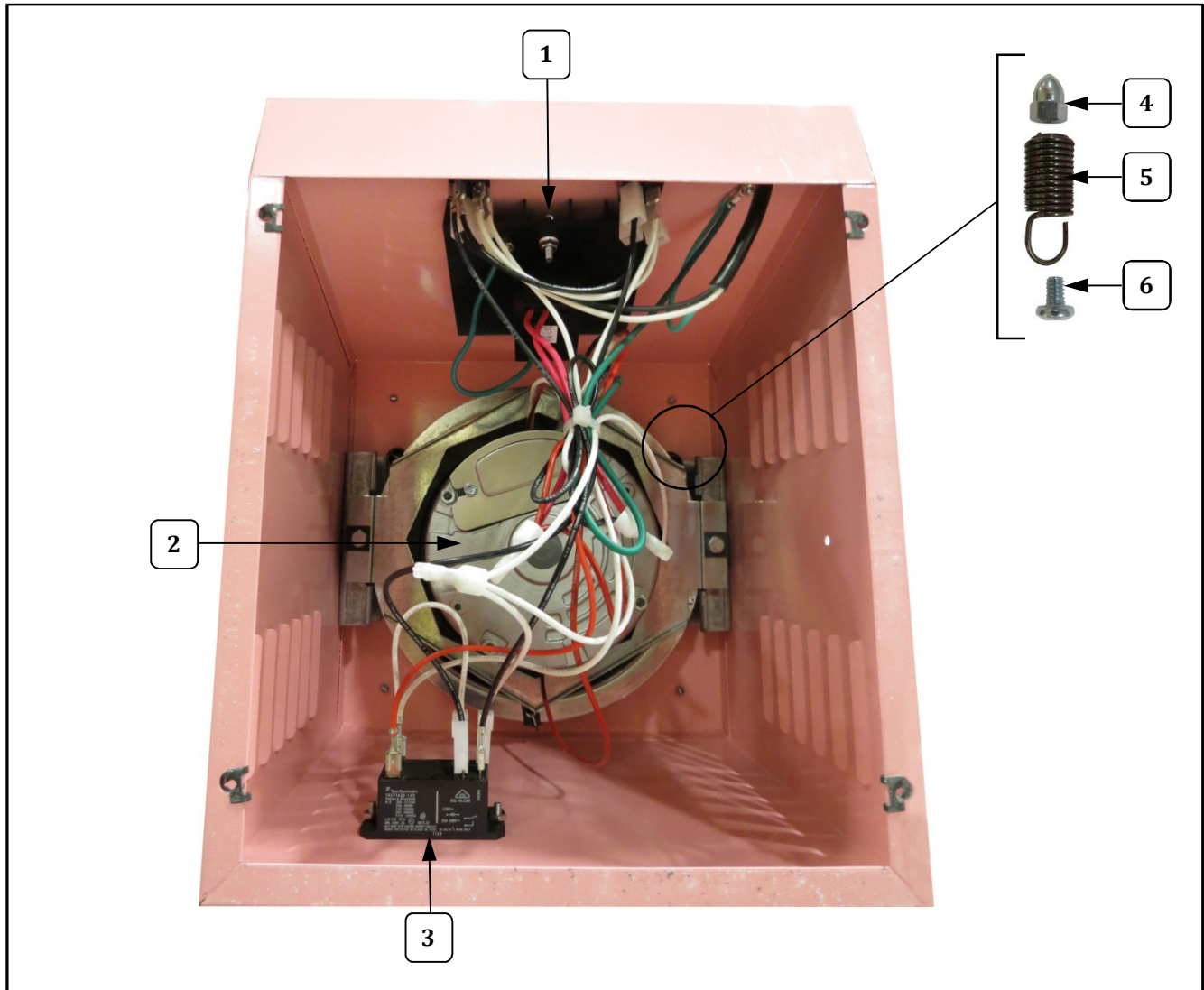
Item	Part Description	Qty.	Part Number			
			3017	3017SR	3017SS	3077 (3077C)
1	ELECTRONIC HEAT CONTROL	1	42558	42558	42558	42558
2	MOTOR, FLOSS MACHINE	1	48649	48649	48649	48649
3	RELAY, 120VAC, DPST-NO	1	48590	48590	48590	48590
4	ACORN NUT 1/4-20	3	49068	49068	49068	49068
5	SPRING, SUSPENSION MEDIUM	3	42524	42524	42524	42524
6	SCREW 1/4-20X3/8 PN HD PH	3	42360	42360	42360	42360

## Cabinet Interior



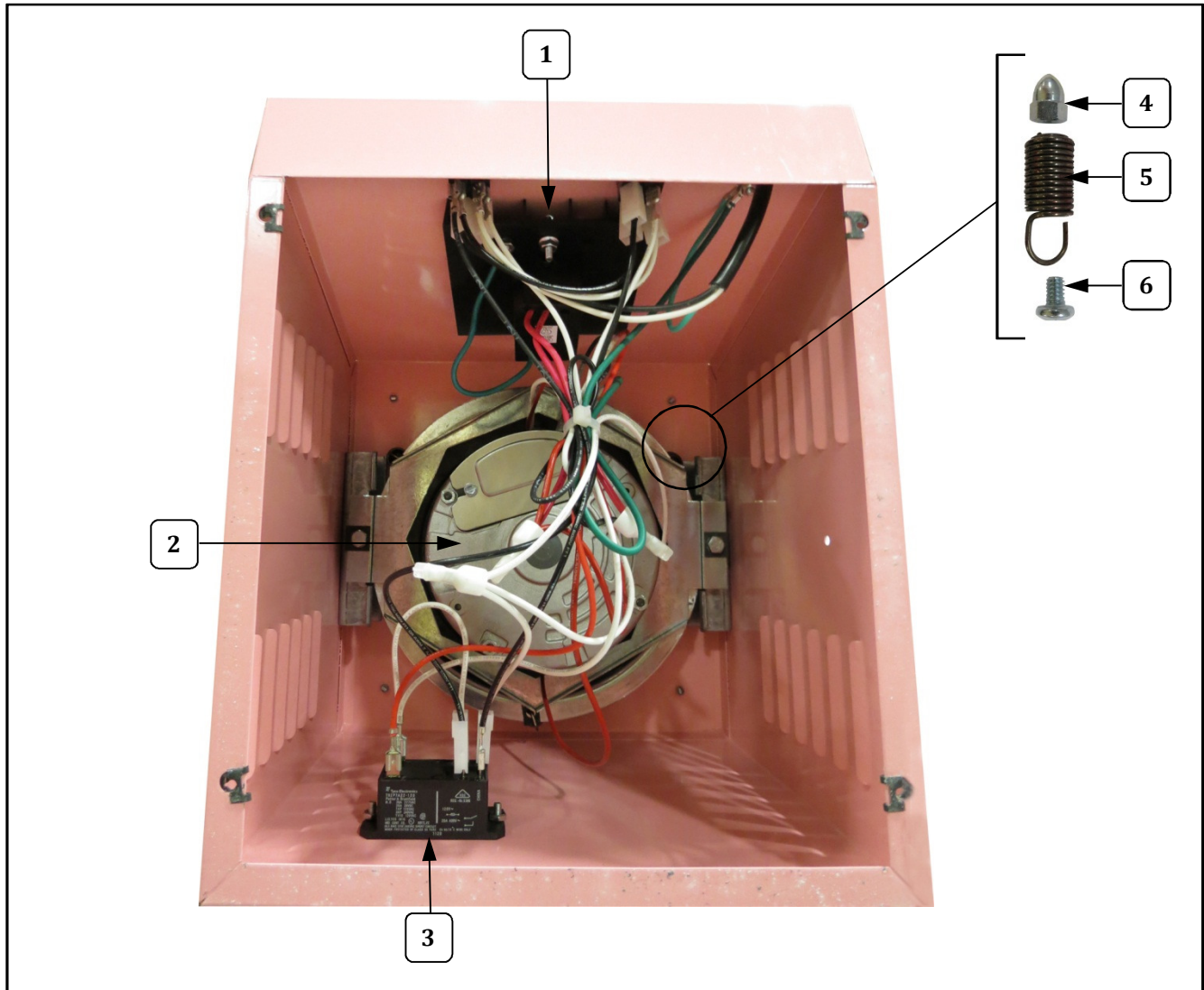
Item	Part Description	Qty.	Part Number			
			3017	3017SR	3017SS	3077 (3077C)
1	ELECTRONIC HEAT CONTROL	1	42558	42558	42558	42558
2	MOTOR, FLOSS MACHINE	1	48649	48649	48649	48649
3	RELAY, 120VAC, DPST-NO	1	48590	48590	48590	48590
4	ACORN NUT 1/4-20	3	49068	49068	49068	49068
5	SPRING, SUSPENSION MEDIUM	3	42524	42524	42524	42524
6	SCREW 1/4-20X3/8 PN HD PH	3	42360	42360	42360	42360

## Cabinet Interior



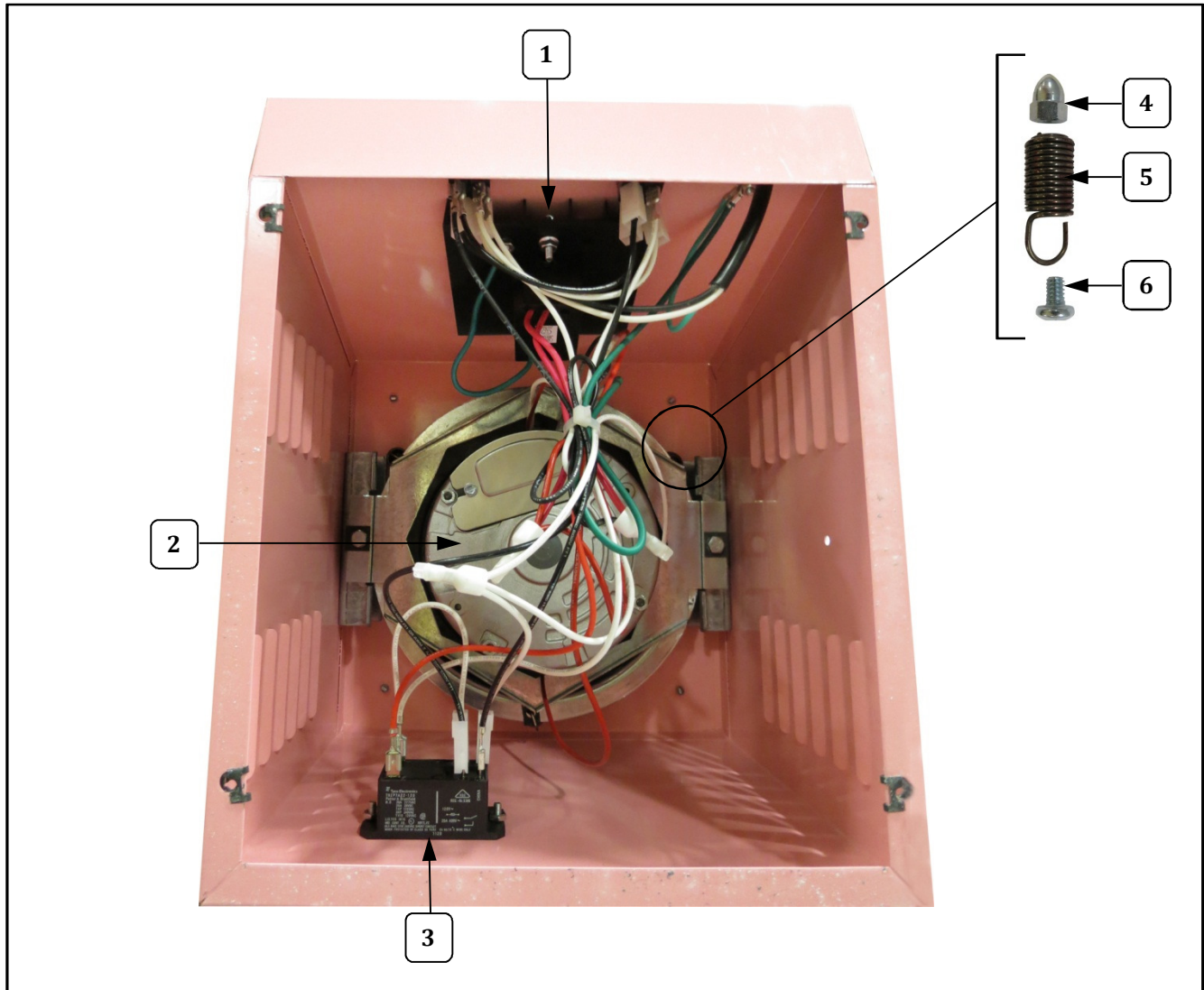
Item	Part Description	Qty.	Part Number			
			3017	3017SR	3017SS	3077 (3077C)
1	ELECTRONIC HEAT CONTROL	1	42558	42558	42558	42558
2	MOTOR, FLOSS MACHINE	1	48649	48649	48649	48649
3	RELAY, 120VAC, DPST-NO	1	48590	48590	48590	48590
4	ACORN NUT 1/4-20	3	49068	49068	49068	49068
5	SPRING, SUSPENSION MEDIUM	3	42524	42524	42524	42524
6	SCREW 1/4-20X3/8 PN HD PH	3	42360	42360	42360	42360

## Cabinet Interior



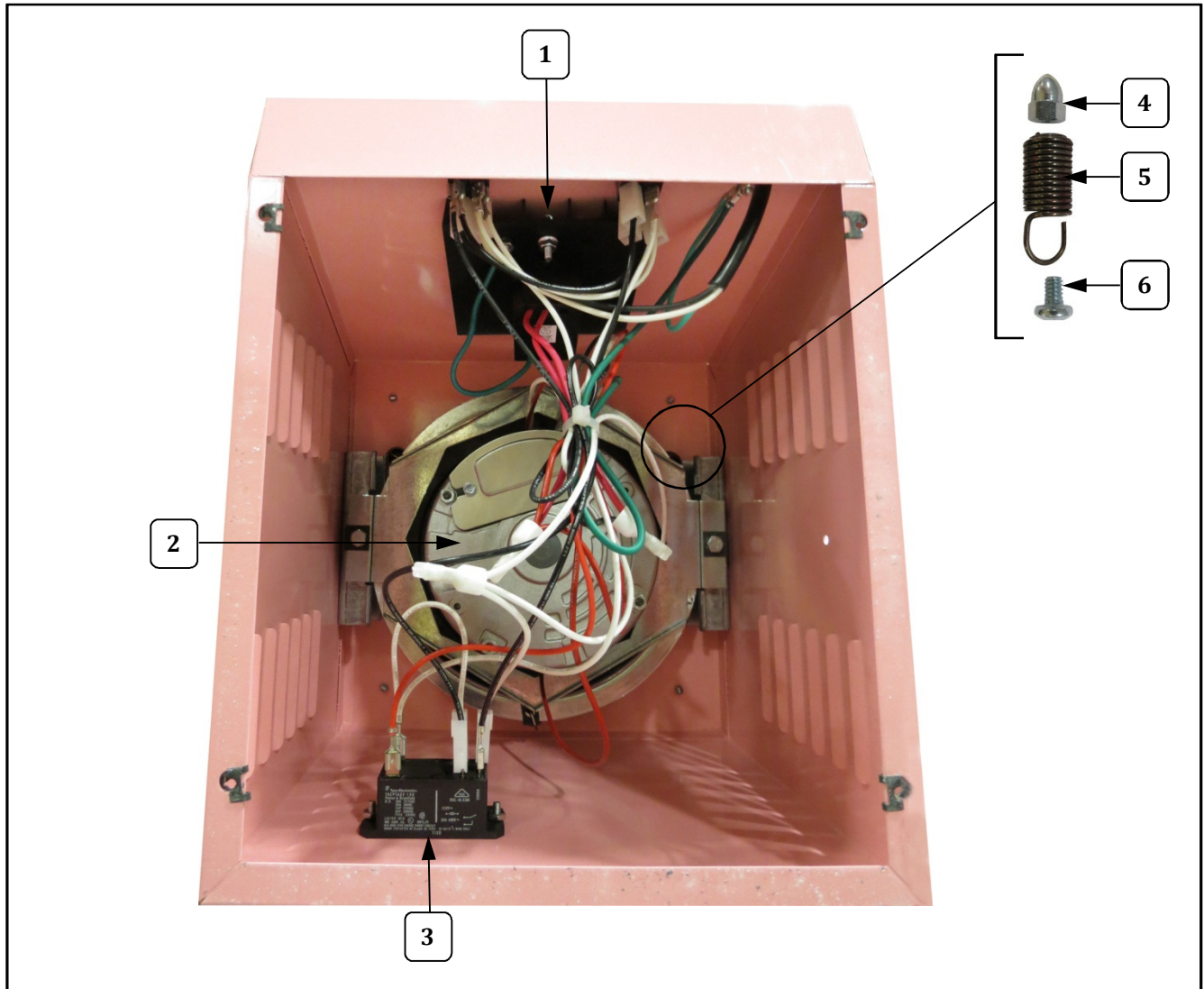
Item	Part Description	Qty.	Part Number			
			3017	3017SR	3017SS	3077 (3077C)
1	ELECTRONIC HEAT CONTROL	1	42558	42558	42558	42558
2	MOTOR, FLOSS MACHINE	1	48649	48649	48649	48649
3	RELAY, 120VAC, DPST-NO	1	48590	48590	48590	48590
4	ACORN NUT 1/4-20	3	49068	49068	49068	49068
5	SPRING, SUSPENSION MEDIUM	3	42524	42524	42524	42524
6	SCREW 1/4-20X3/8 PN HD PH	3	42360	42360	42360	42360

## Cabinet Interior



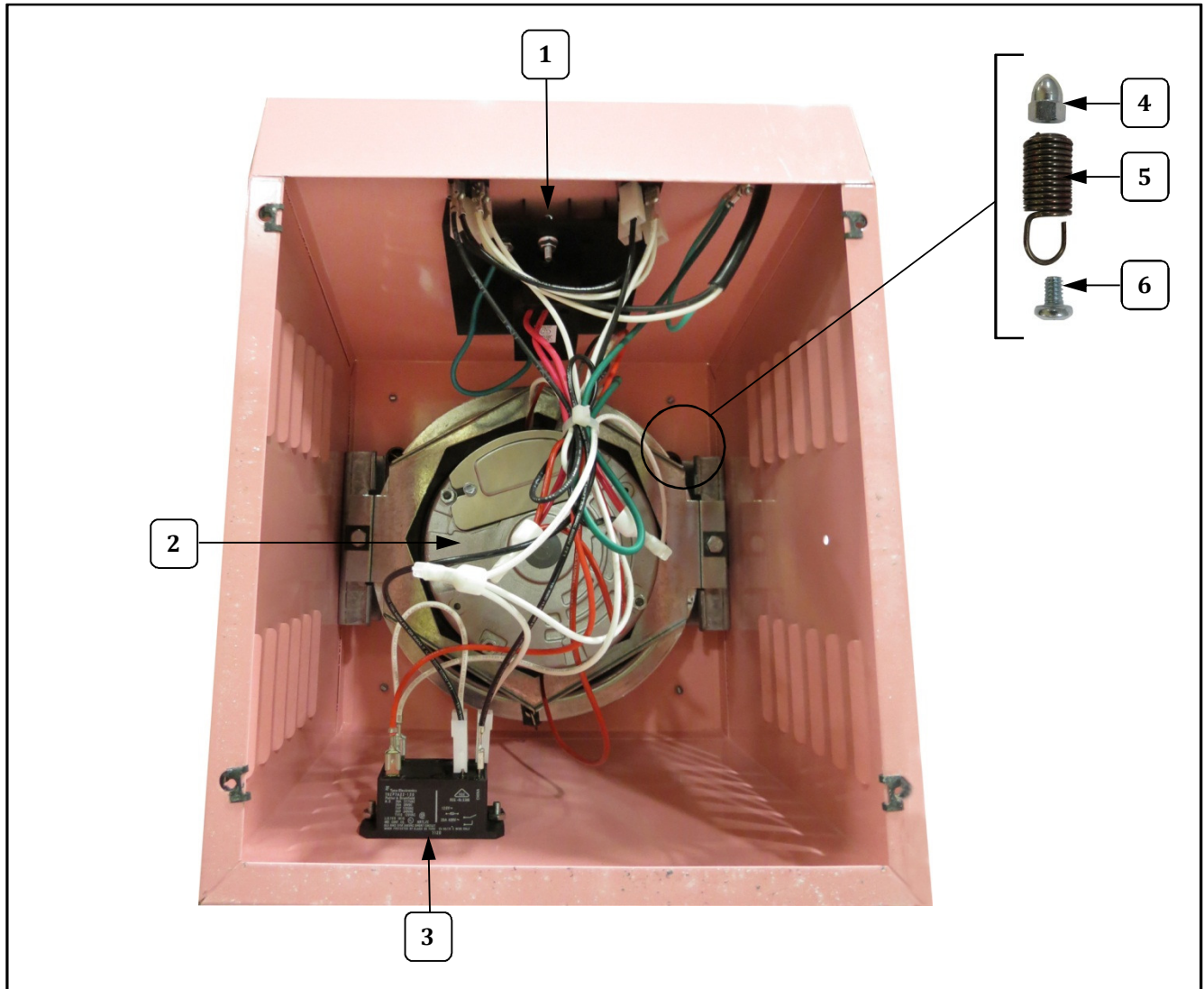
Item	Part Description	Qty.	Part Number			
			3017	3017SR	3017SS	3077 (3077C)
1	ELECTRONIC HEAT CONTROL	1	42558	42558	42558	42558
2	MOTOR, FLOSS MACHINE	1	48649	48649	48649	48649
3	RELAY, 120VAC, DPST-NO	1	48590	48590	48590	48590
4	ACORN NUT 1/4-20	3	49068	49068	49068	49068
5	SPRING, SUSPENSION MEDIUM	3	42524	42524	42524	42524
6	SCREW 1/4-20X3/8 PN HD PH	3	42360	42360	42360	42360

## Cabinet Interior



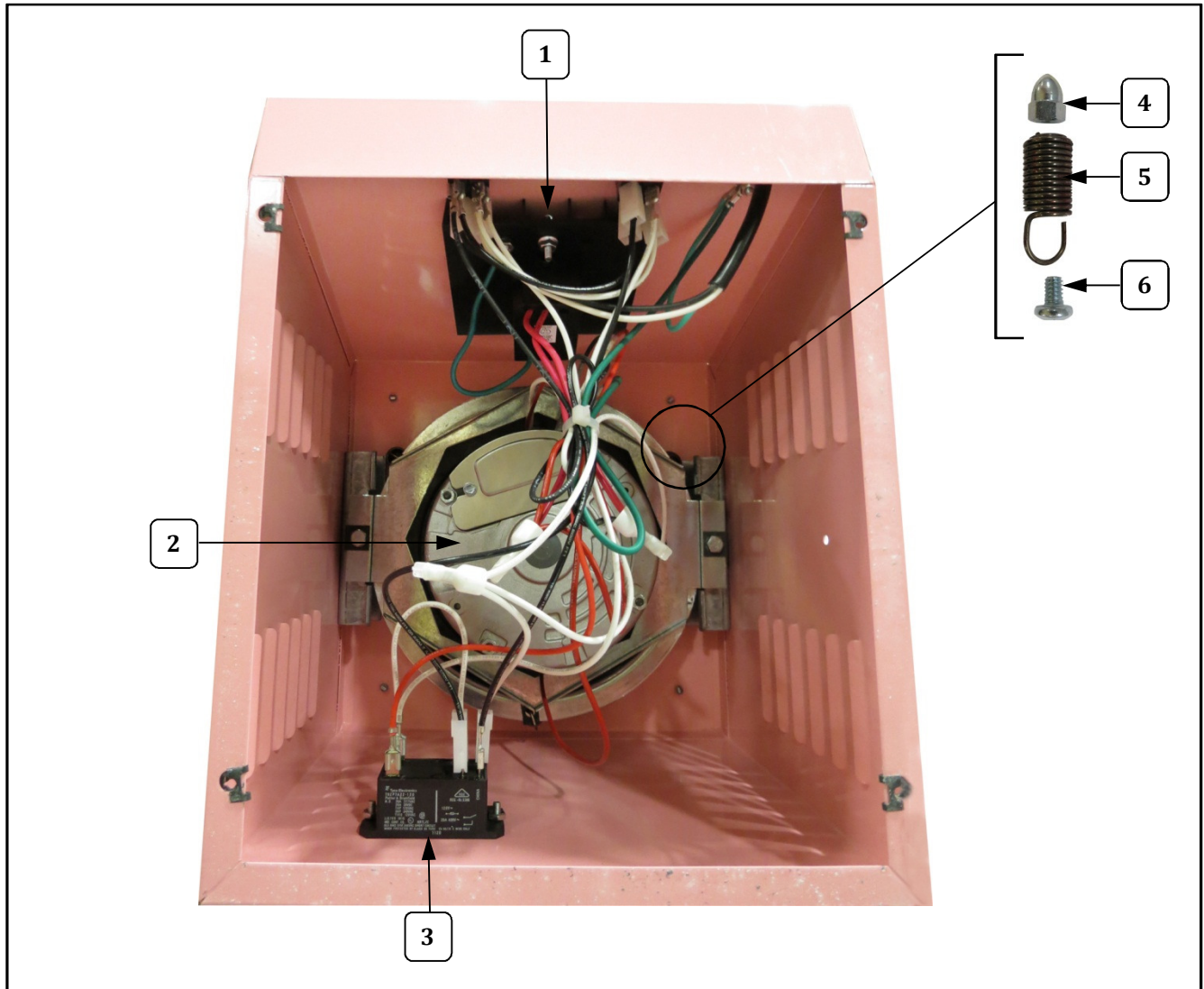
Item	Part Description	Qty.	Part Number			
			3017	3017SR	3017SS	3077 (3077C)
1	ELECTRONIC HEAT CONTROL	1	42558	42558	42558	42558
2	MOTOR, FLOSS MACHINE	1	48649	48649	48649	48649
3	RELAY, 120VAC, DPST-NO	1	48590	48590	48590	48590
4	ACORN NUT 1/4-20	3	49068	49068	49068	49068
5	SPRING, SUSPENSION MEDIUM	3	42524	42524	42524	42524
6	SCREW 1/4-20X3/8 PN HD PH	3	42360	42360	42360	42360

## Cabinet Interior



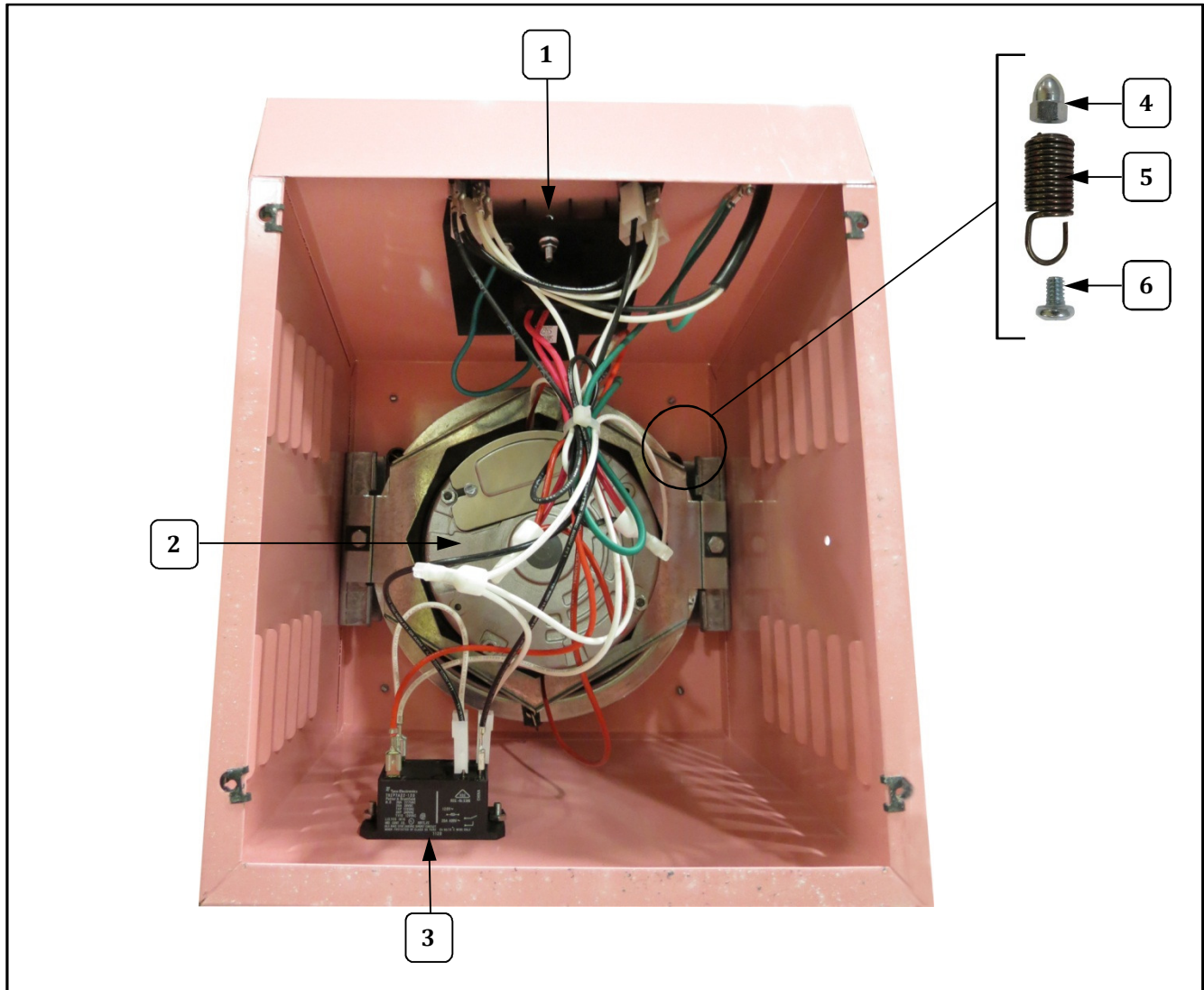
Item	Part Description	Qty.	Part Number			
			3017	3017SR	3017SS	3077 (3077C)
1	ELECTRONIC HEAT CONTROL	1	42558	42558	42558	42558
2	MOTOR, FLOSS MACHINE	1	48649	48649	48649	48649
3	RELAY, 120VAC, DPST-NO	1	48590	48590	48590	48590
4	ACORN NUT 1/4-20	3	49068	49068	49068	49068
5	SPRING, SUSPENSION MEDIUM	3	42524	42524	42524	42524
6	SCREW 1/4-20X3/8 PN HD PH	3	42360	42360	42360	42360

## Cabinet Interior



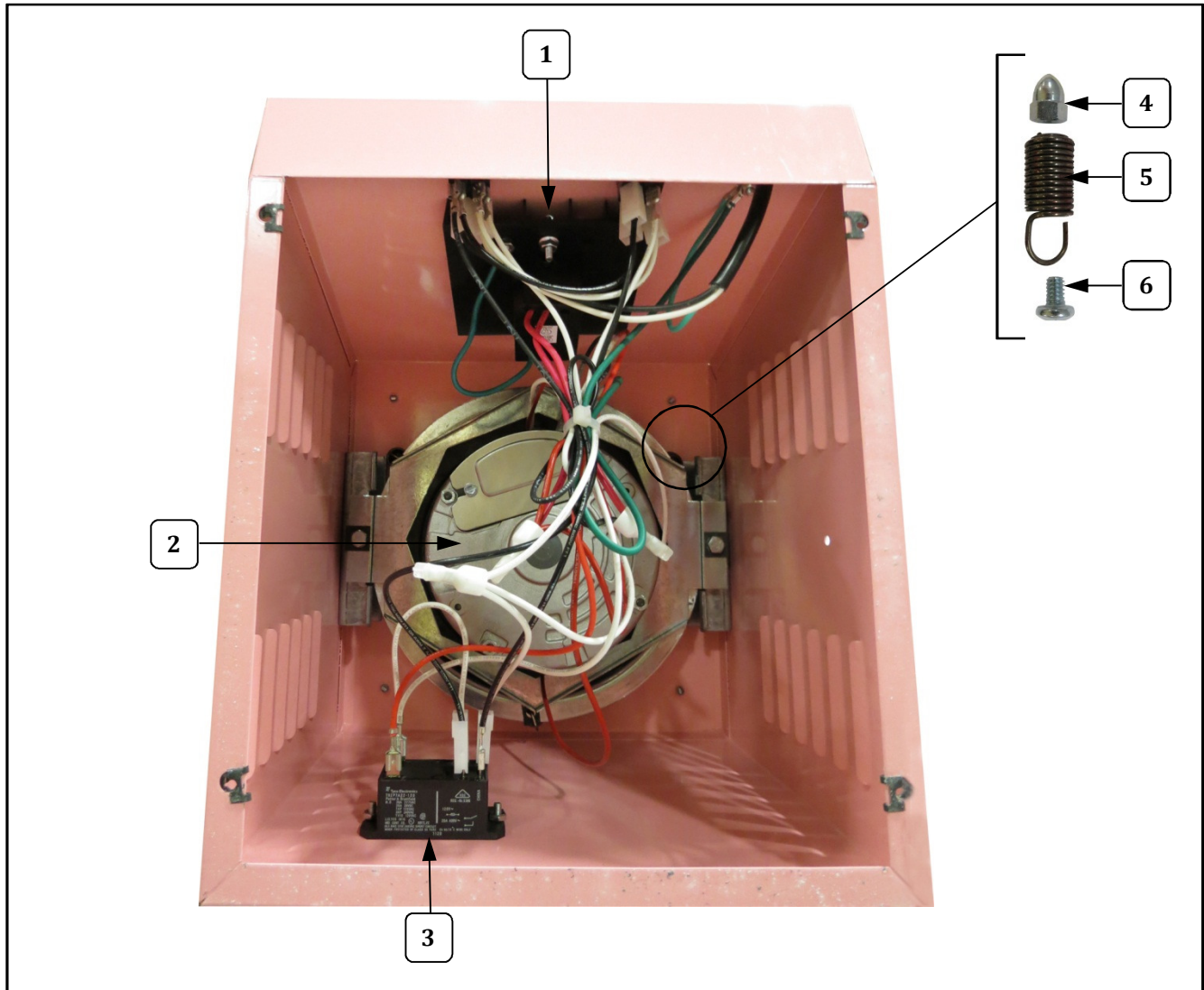
Item	Part Description	Qty.	Part Number			
			3017	3017SR	3017SS	3077 (3077C)
1	ELECTRONIC HEAT CONTROL	1	42558	42558	42558	42558
2	MOTOR, FLOSS MACHINE	1	48649	48649	48649	48649
3	RELAY, 120VAC, DPST-NO	1	48590	48590	48590	48590
4	ACORN NUT 1/4-20	3	49068	49068	49068	49068
5	SPRING, SUSPENSION MEDIUM	3	42524	42524	42524	42524
6	SCREW 1/4-20X3/8 PN HD PH	3	42360	42360	42360	42360

## Cabinet Interior



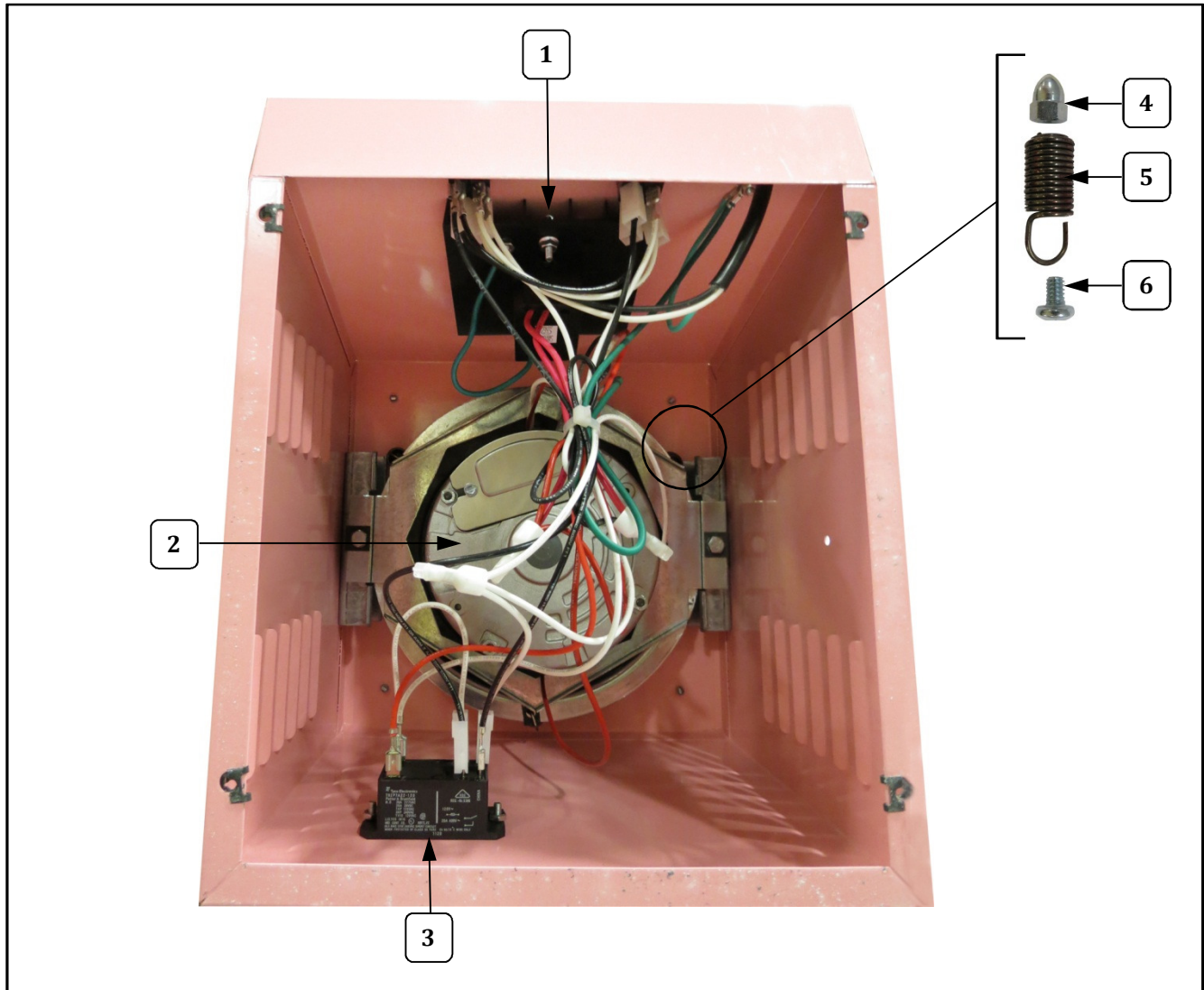
Item	Part Description	Qty.	Part Number			
			3017	3017SR	3017SS	3077 (3077C)
1	ELECTRONIC HEAT CONTROL	1	42558	42558	42558	42558
2	MOTOR, FLOSS MACHINE	1	48649	48649	48649	48649
3	RELAY, 120VAC, DPST-NO	1	48590	48590	48590	48590
4	ACORN NUT 1/4-20	3	49068	49068	49068	49068
5	SPRING, SUSPENSION MEDIUM	3	42524	42524	42524	42524
6	SCREW 1/4-20X3/8 PN HD PH	3	42360	42360	42360	42360

## Cabinet Interior



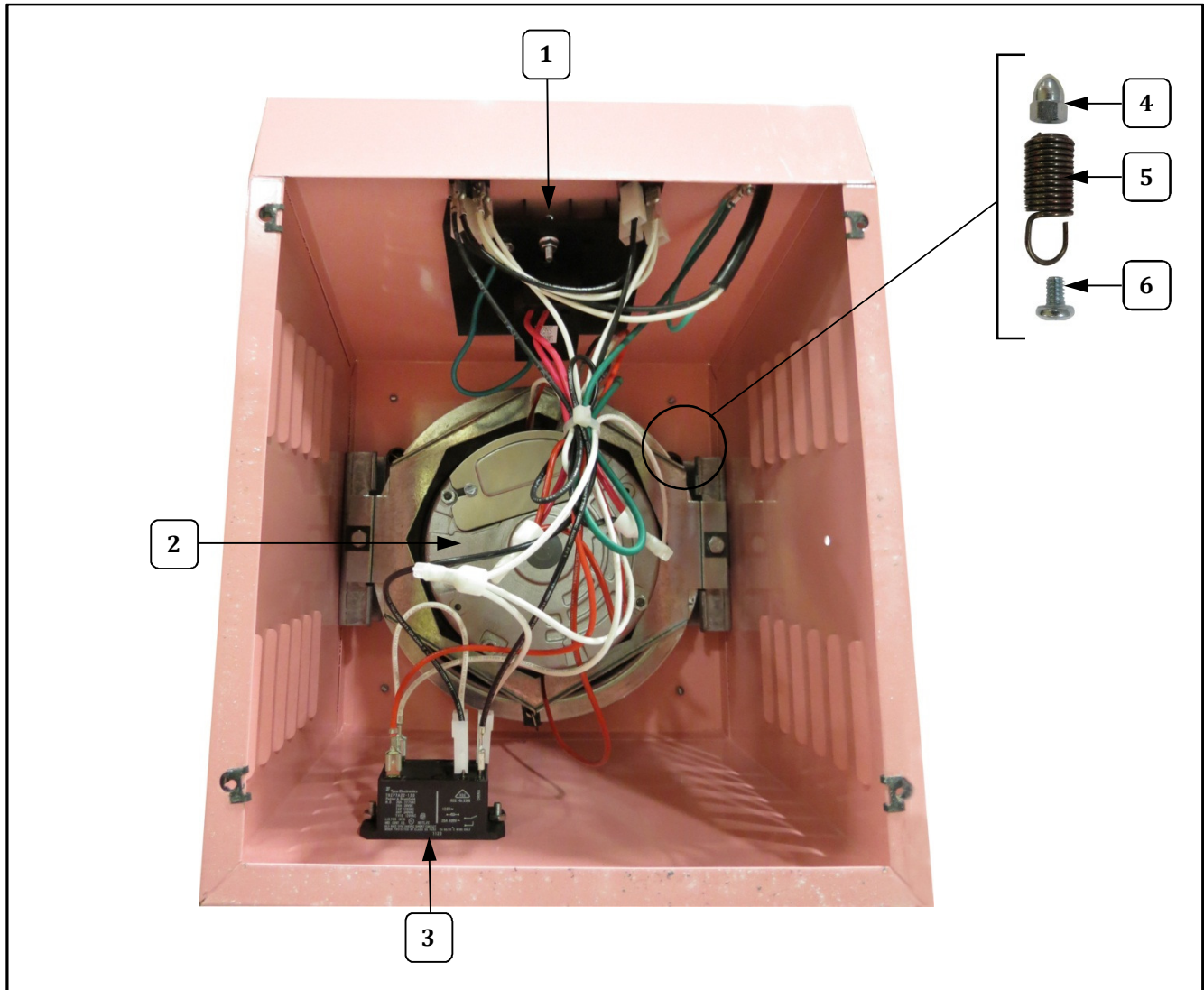
Item	Part Description	Qty.	Part Number			
			3017	3017SR	3017SS	3077 (3077C)
1	ELECTRONIC HEAT CONTROL	1	42558	42558	42558	42558
2	MOTOR, FLOSS MACHINE	1	48649	48649	48649	48649
3	RELAY, 120VAC, DPST-NO	1	48590	48590	48590	48590
4	ACORN NUT 1/4-20	3	49068	49068	49068	49068
5	SPRING, SUSPENSION MEDIUM	3	42524	42524	42524	42524
6	SCREW 1/4-20X3/8 PN HD PH	3	42360	42360	42360	42360

## Cabinet Interior



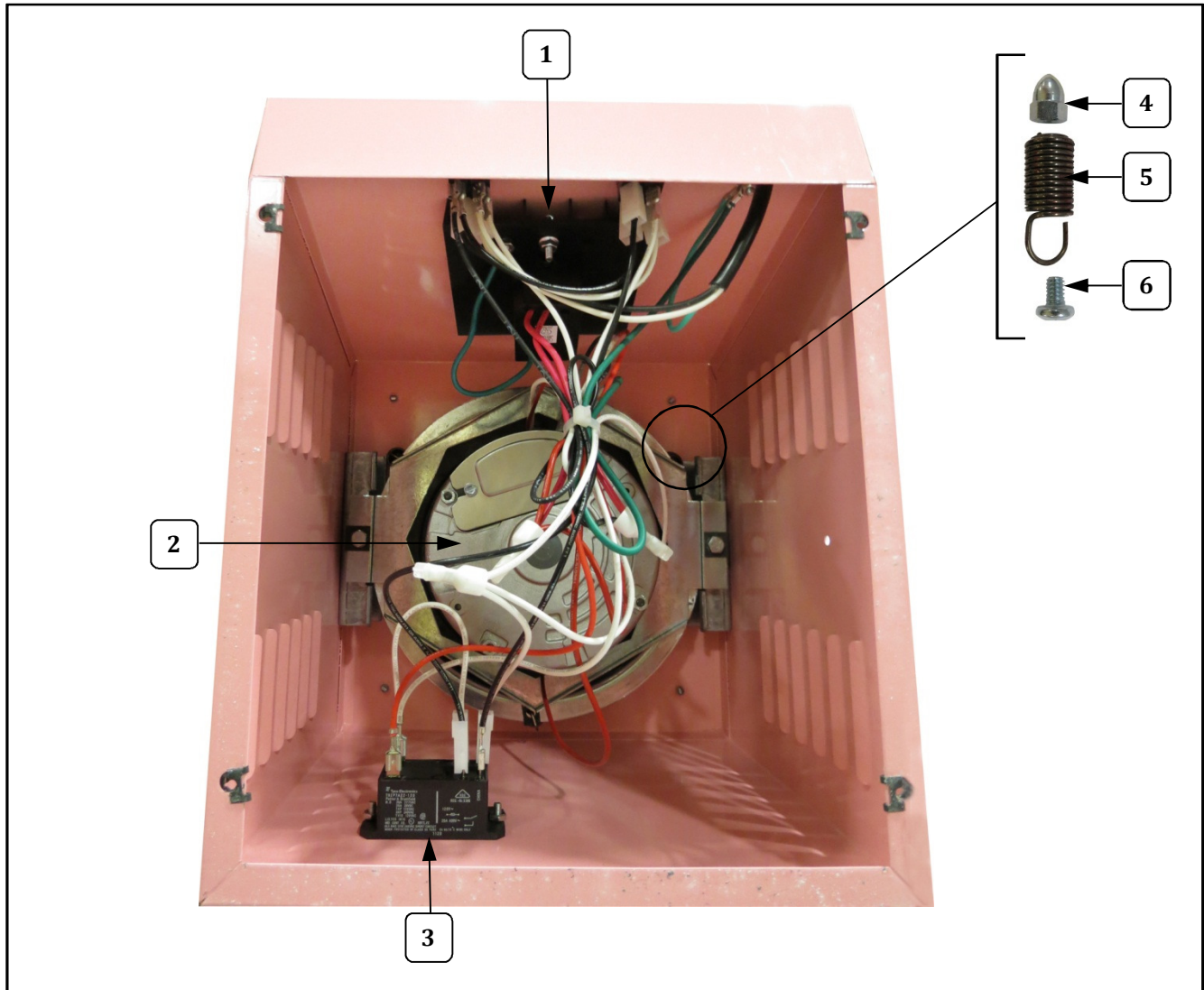
Item	Part Description	Qty.	Part Number			
			3017	3017SR	3017SS	3077 (3077C)
1	ELECTRONIC HEAT CONTROL	1	42558	42558	42558	42558
2	MOTOR, FLOSS MACHINE	1	48649	48649	48649	48649
3	RELAY, 120VAC, DPST-NO	1	48590	48590	48590	48590
4	ACORN NUT 1/4-20	3	49068	49068	49068	49068
5	SPRING, SUSPENSION MEDIUM	3	42524	42524	42524	42524
6	SCREW 1/4-20X3/8 PN HD PH	3	42360	42360	42360	42360

## Cabinet Interior



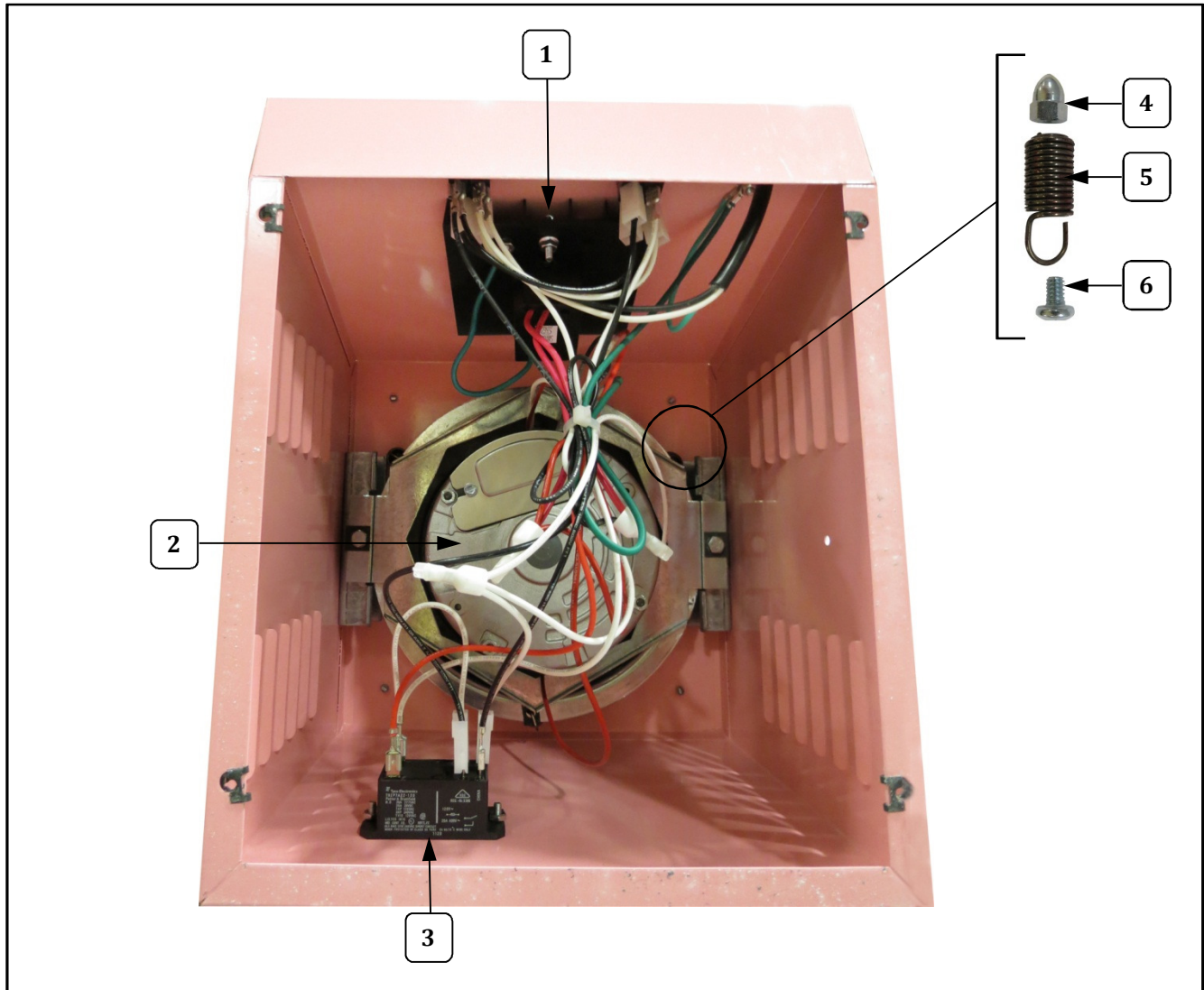
Item	Part Description	Qty.	Part Number			
			3017	3017SR	3017SS	3077 (3077C)
1	ELECTRONIC HEAT CONTROL	1	42558	42558	42558	42558
2	MOTOR, FLOSS MACHINE	1	48649	48649	48649	48649
3	RELAY, 120VAC, DPST-NO	1	48590	48590	48590	48590
4	ACORN NUT 1/4-20	3	49068	49068	49068	49068
5	SPRING, SUSPENSION MEDIUM	3	42524	42524	42524	42524
6	SCREW 1/4-20X3/8 PN HD PH	3	42360	42360	42360	42360

## Cabinet Interior



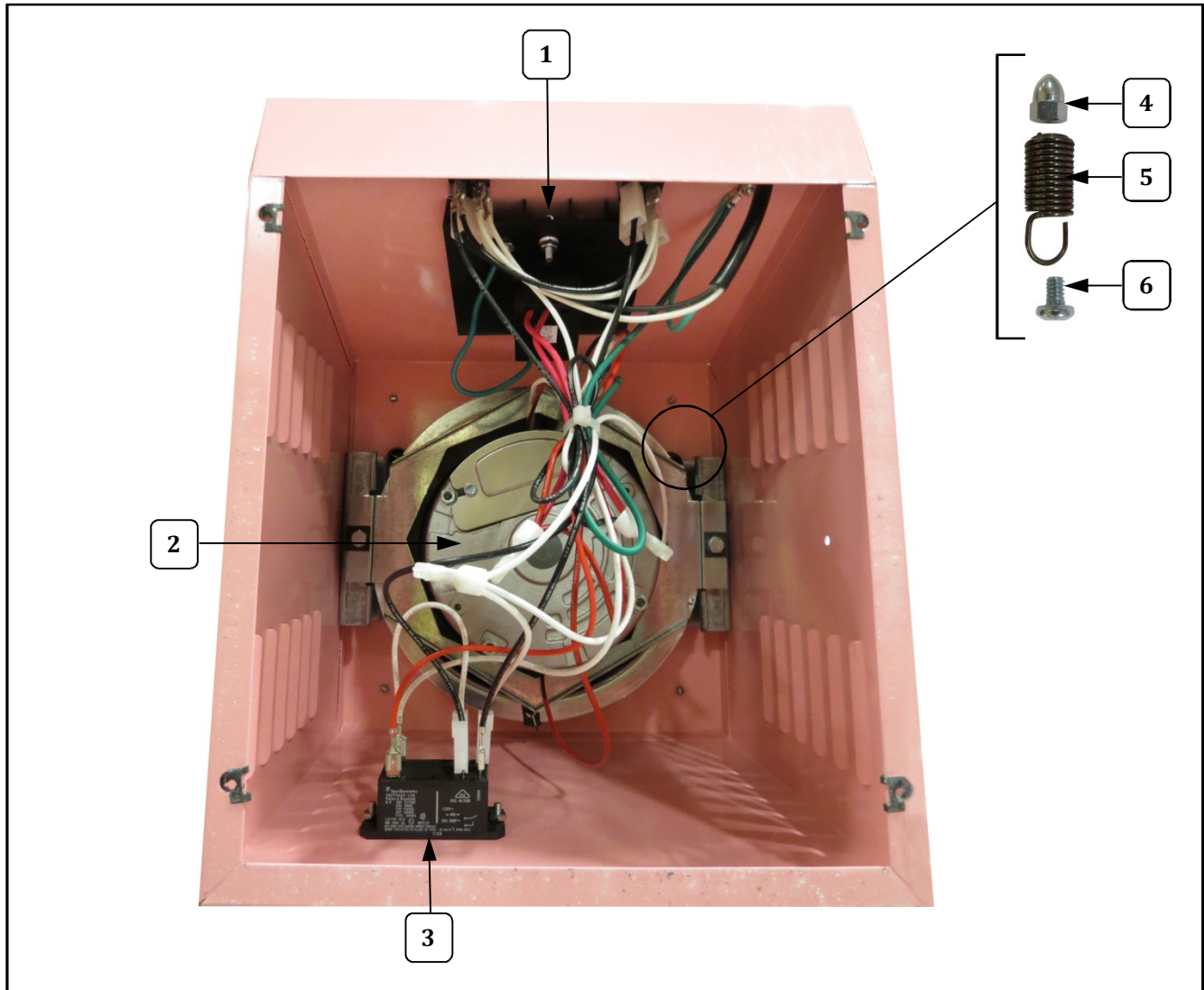
Item	Part Description	Qty.	Part Number			
			3017	3017SR	3017SS	3077 (3077C)
1	ELECTRONIC HEAT CONTROL	1	42558	42558	42558	42558
2	MOTOR, FLOSS MACHINE	1	48649	48649	48649	48649
3	RELAY, 120VAC, DPST-NO	1	48590	48590	48590	48590
4	ACORN NUT 1/4-20	3	49068	49068	49068	49068
5	SPRING, SUSPENSION MEDIUM	3	42524	42524	42524	42524
6	SCREW 1/4-20X3/8 PN HD PH	3	42360	42360	42360	42360

## Cabinet Interior



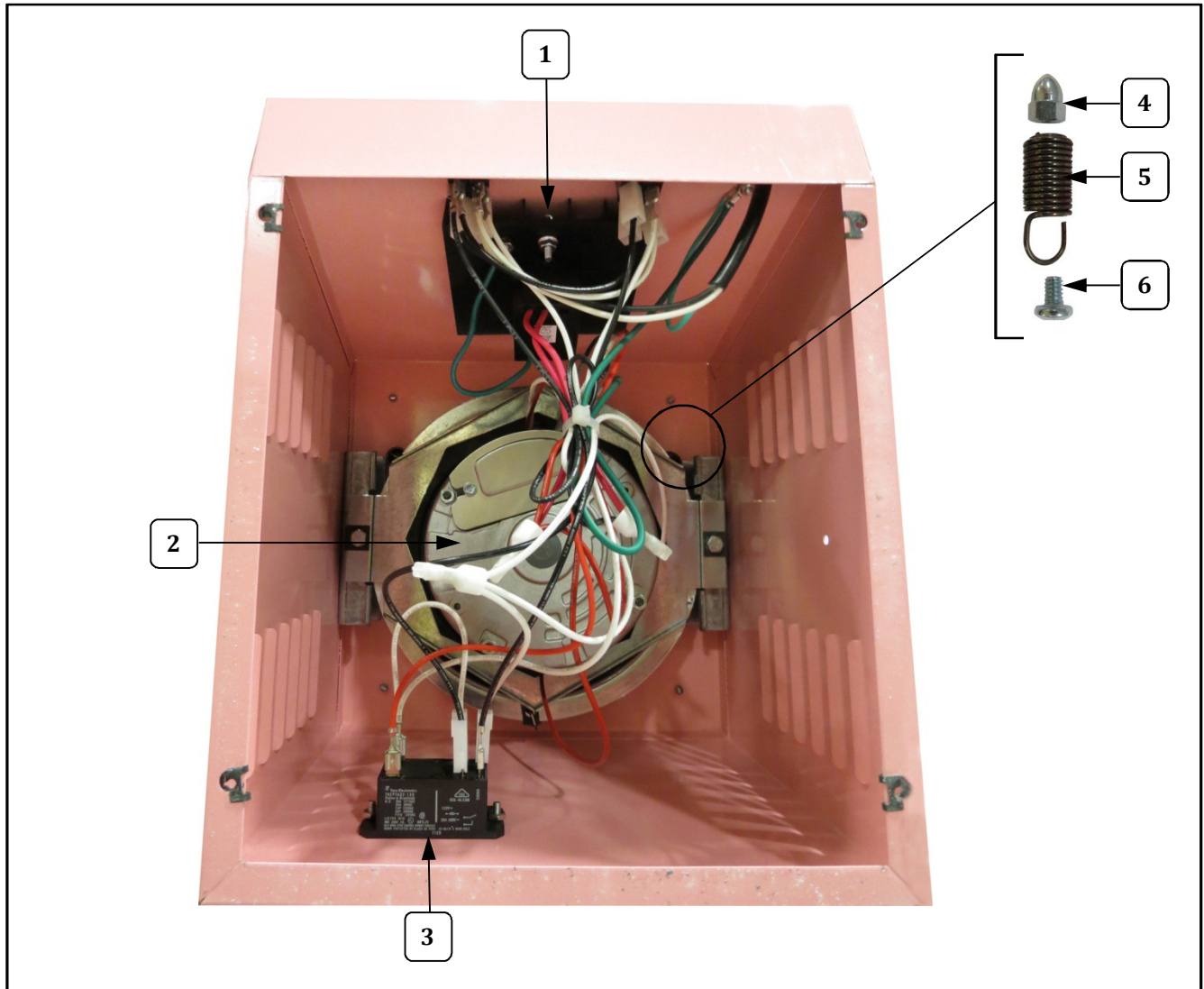
Item	Part Description	Qty.	Part Number			
			3017	3017SR	3017SS	3077 (3077C)
1	ELECTRONIC HEAT CONTROL	1	42558	42558	42558	42558
2	MOTOR, FLOSS MACHINE	1	48649	48649	48649	48649
3	RELAY, 120VAC, DPST-NO	1	48590	48590	48590	48590
4	ACORN NUT 1/4-20	3	49068	49068	49068	49068
5	SPRING, SUSPENSION MEDIUM	3	42524	42524	42524	42524
6	SCREW 1/4-20X3/8 PN HD PH	3	42360	42360	42360	42360

## Cabinet Interior



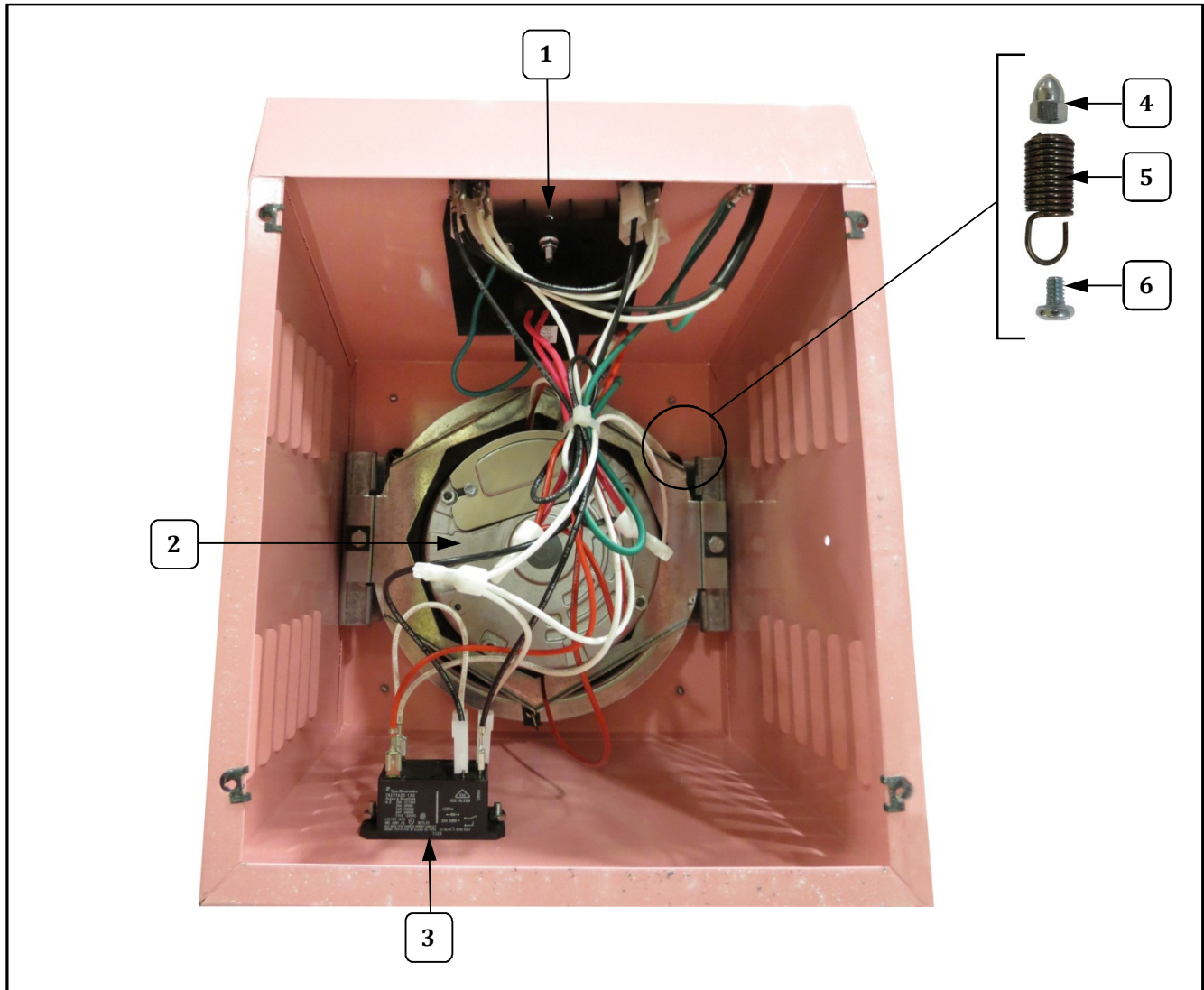
Item	Part Description	Qty.	Part Number			
			3017	3017SR	3017SS	3077 (3077C)
1	ELECTRONIC HEAT CONTROL	1	42558	42558	42558	42558
2	MOTOR, FLOSS MACHINE	1	48649	48649	48649	48649
3	RELAY, 120VAC, DPST-NO	1	48590	48590	48590	48590
4	ACORN NUT 1/4-20	3	49068	49068	49068	49068
5	SPRING, SUSPENSION MEDIUM	3	42524	42524	42524	42524
6	SCREW 1/4-20X3/8 PN HD PH	3	42360	42360	42360	42360

## Cabinet Interior



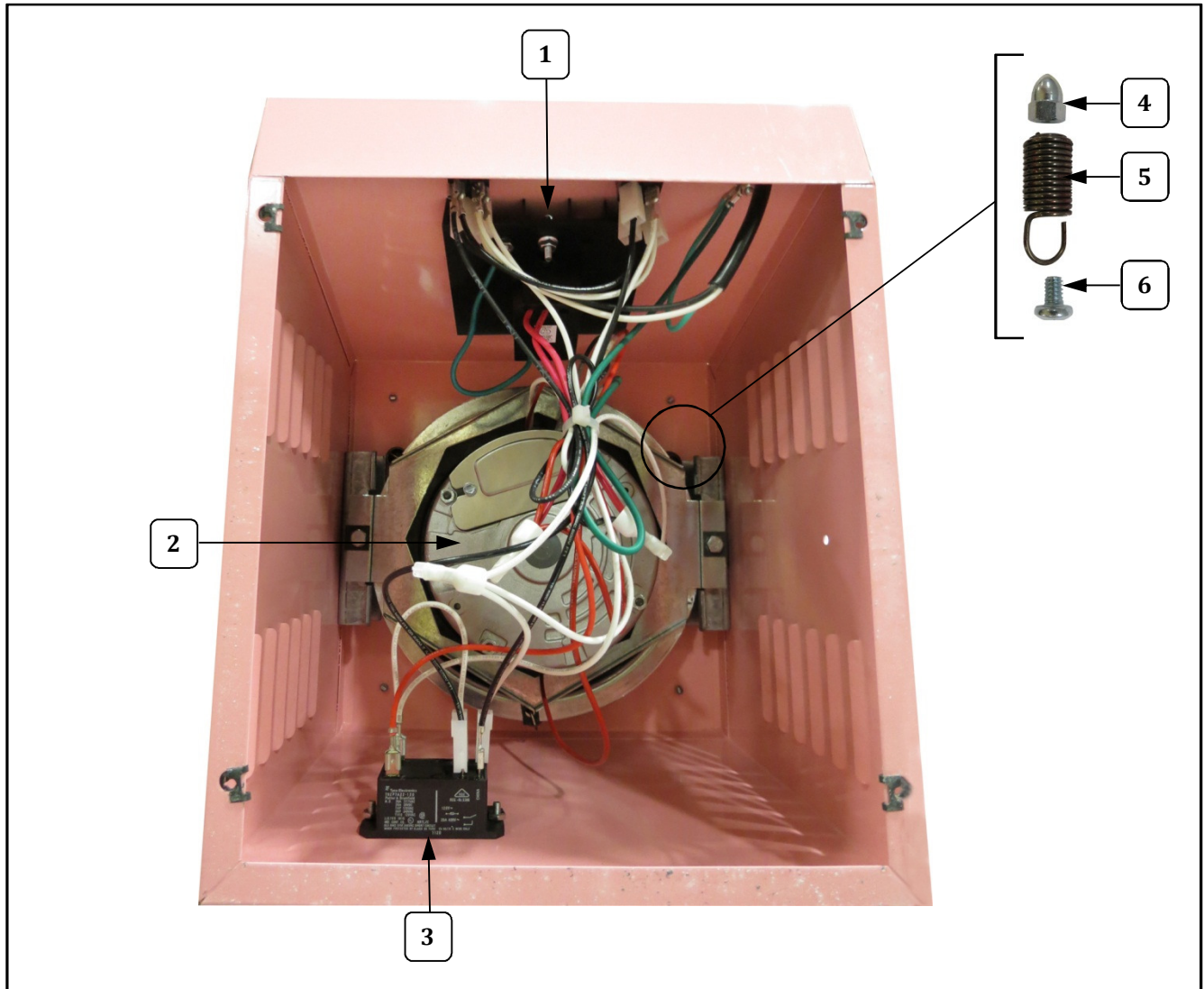
Item	Part Description	Qty.	Part Number			
			3017	3017SR	3017SS	3077 (3077C)
1	ELECTRONIC HEAT CONTROL	1	42558	42558	42558	42558
2	MOTOR, FLOSS MACHINE	1	48649	48649	48649	48649
3	RELAY, 120VAC, DPST-NO	1	48590	48590	48590	48590
4	ACORN NUT 1/4-20	3	49068	49068	49068	49068
5	SPRING, SUSPENSION MEDIUM	3	42524	42524	42524	42524
6	SCREW 1/4-20X3/8 PN HD PH	3	42360	42360	42360	42360

## Cabinet Interior



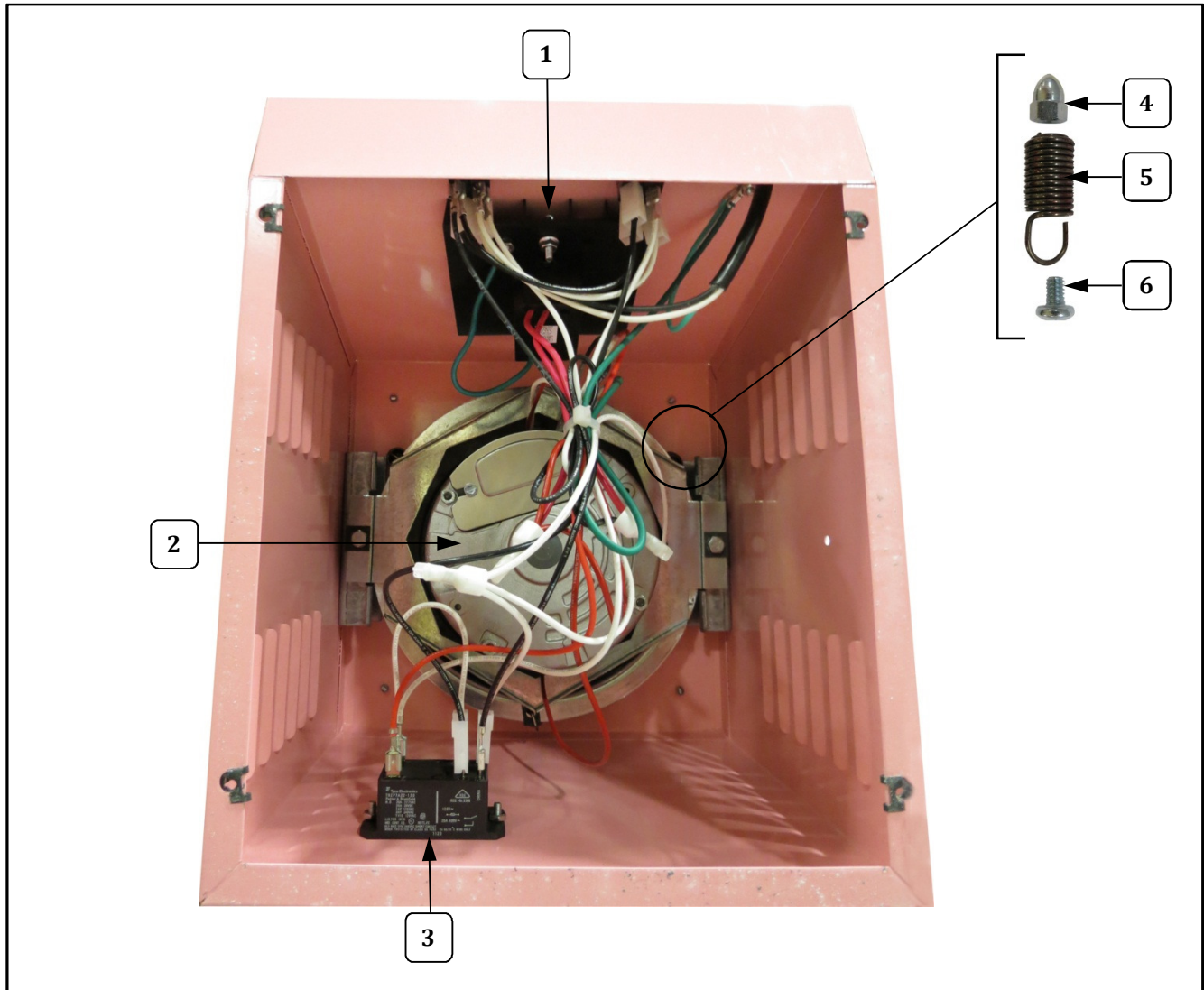
Item	Part Description	Qty.	Part Number			
			3017	3017SR	3017SS	3077 (3077C)
1	ELECTRONIC HEAT CONTROL	1	42558	42558	42558	42558
2	MOTOR, FLOSS MACHINE	1	48649	48649	48649	48649
3	RELAY, 120VAC, DPST-NO	1	48590	48590	48590	48590
4	ACORN NUT 1/4-20	3	49068	49068	49068	49068
5	SPRING, SUSPENSION MEDIUM	3	42524	42524	42524	42524
6	SCREW 1/4-20X3/8 PN HD PH	3	42360	42360	42360	42360

## Cabinet Interior



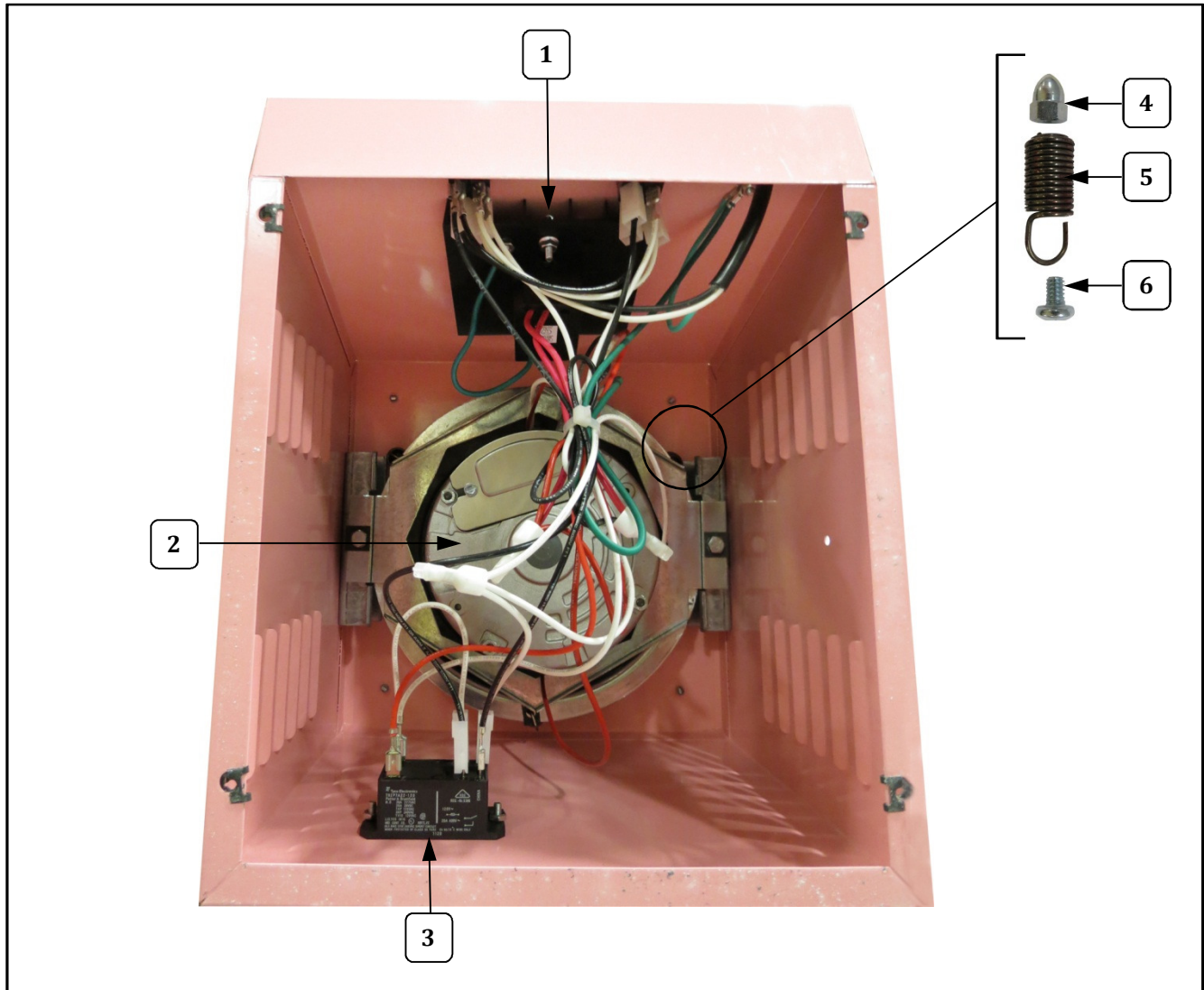
Item	Part Description	Qty.	Part Number			
			3017	3017SR	3017SS	3077 (3077C)
1	ELECTRONIC HEAT CONTROL	1	42558	42558	42558	42558
2	MOTOR, FLOSS MACHINE	1	48649	48649	48649	48649
3	RELAY, 120VAC, DPST-NO	1	48590	48590	48590	48590
4	ACORN NUT 1/4-20	3	49068	49068	49068	49068
5	SPRING, SUSPENSION MEDIUM	3	42524	42524	42524	42524
6	SCREW 1/4-20X3/8 PN HD PH	3	42360	42360	42360	42360

## Cabinet Interior



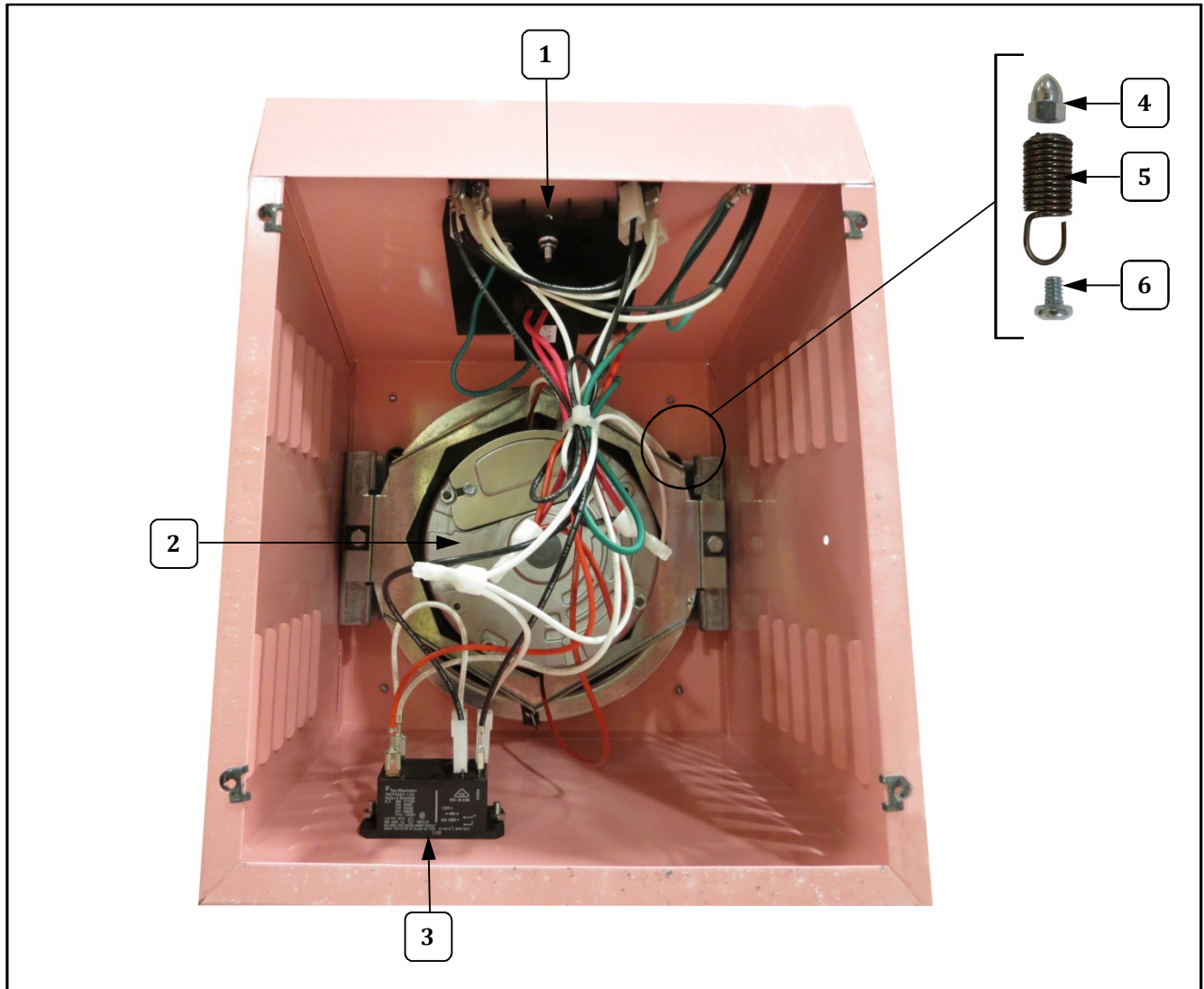
Item	Part Description	Qty.	Part Number			
			3017	3017SR	3017SS	3077 (3077C)
1	ELECTRONIC HEAT CONTROL	1	42558	42558	42558	42558
2	MOTOR, FLOSS MACHINE	1	48649	48649	48649	48649
3	RELAY, 120VAC, DPST-NO	1	48590	48590	48590	48590
4	ACORN NUT 1/4-20	3	49068	49068	49068	49068
5	SPRING, SUSPENSION MEDIUM	3	42524	42524	42524	42524
6	SCREW 1/4-20X3/8 PN HD PH	3	42360	42360	42360	42360

## Cabinet Interior



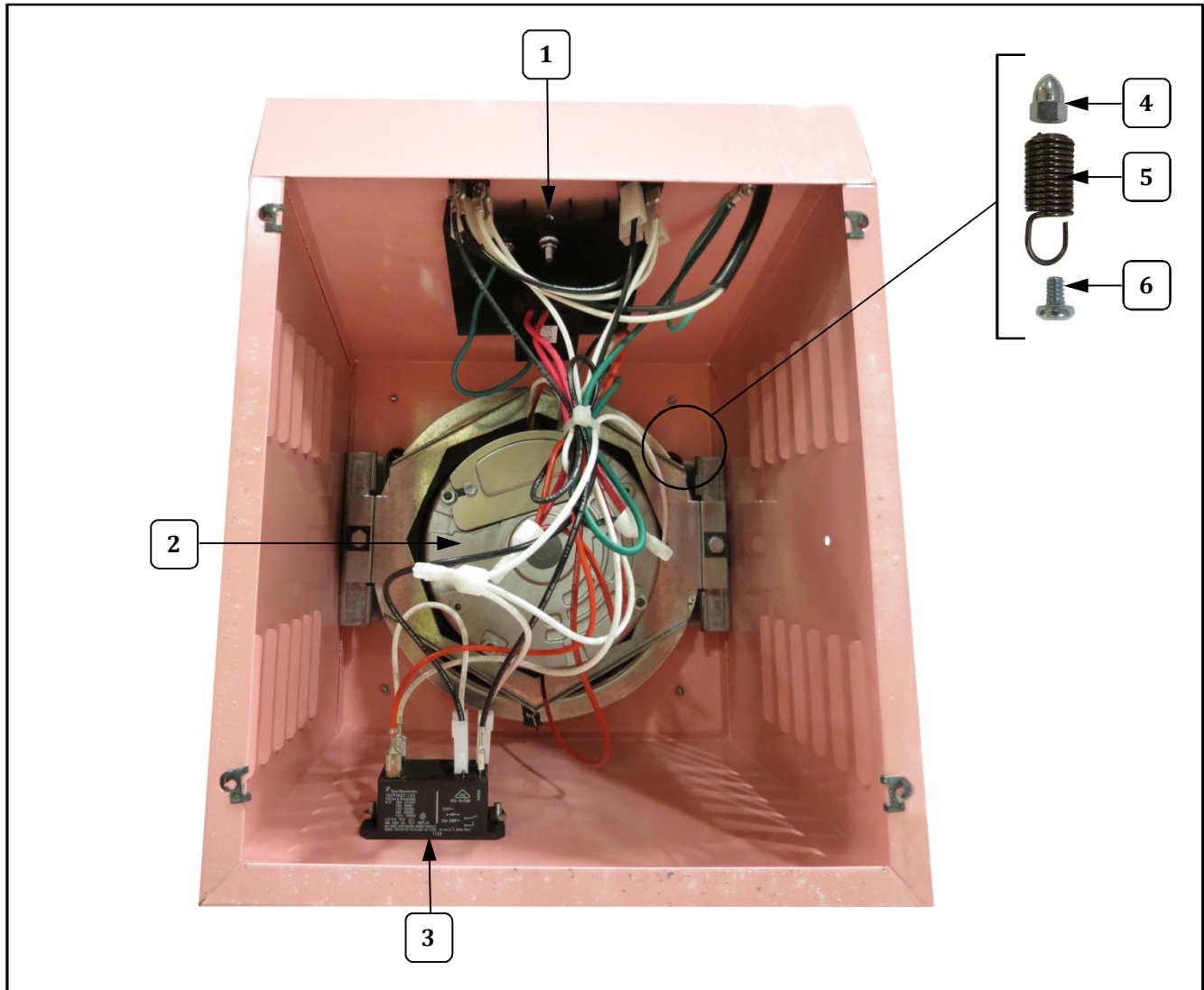
Item	Part Description	Qty.	Part Number			
			3017	3017SR	3017SS	3077 (3077C)
1	ELECTRONIC HEAT CONTROL	1	42558	42558	42558	42558
2	MOTOR, FLOSS MACHINE	1	48649	48649	48649	48649
3	RELAY, 120VAC, DPST-NO	1	48590	48590	48590	48590
4	ACORN NUT 1/4-20	3	49068	49068	49068	49068
5	SPRING, SUSPENSION MEDIUM	3	42524	42524	42524	42524
6	SCREW 1/4-20X3/8 PN HD PH	3	42360	42360	42360	42360

## Cabinet Interior



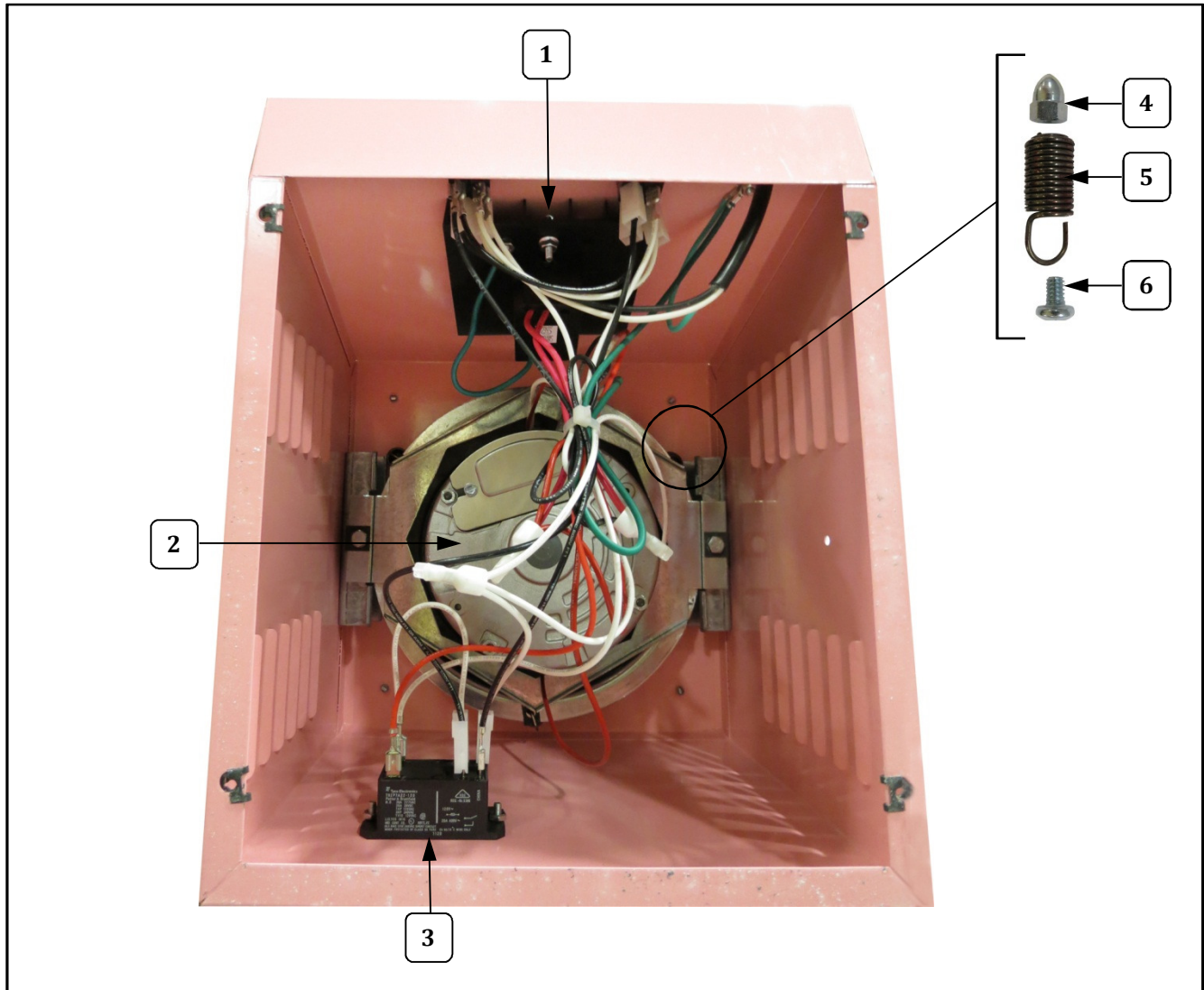
Item	Part Description	Qty.	Part Number			
			3017	3017SR	3017SS	3077 (3077C)
1	ELECTRONIC HEAT CONTROL	1	42558	42558	42558	42558
2	MOTOR, FLOSS MACHINE	1	48649	48649	48649	48649
3	RELAY, 120VAC, DPST-NO	1	48590	48590	48590	48590
4	ACORN NUT 1/4-20	3	49068	49068	49068	49068
5	SPRING, SUSPENSION MEDIUM	3	42524	42524	42524	42524
6	SCREW 1/4-20X3/8 PN HD PH	3	42360	42360	42360	42360

## Cabinet Interior



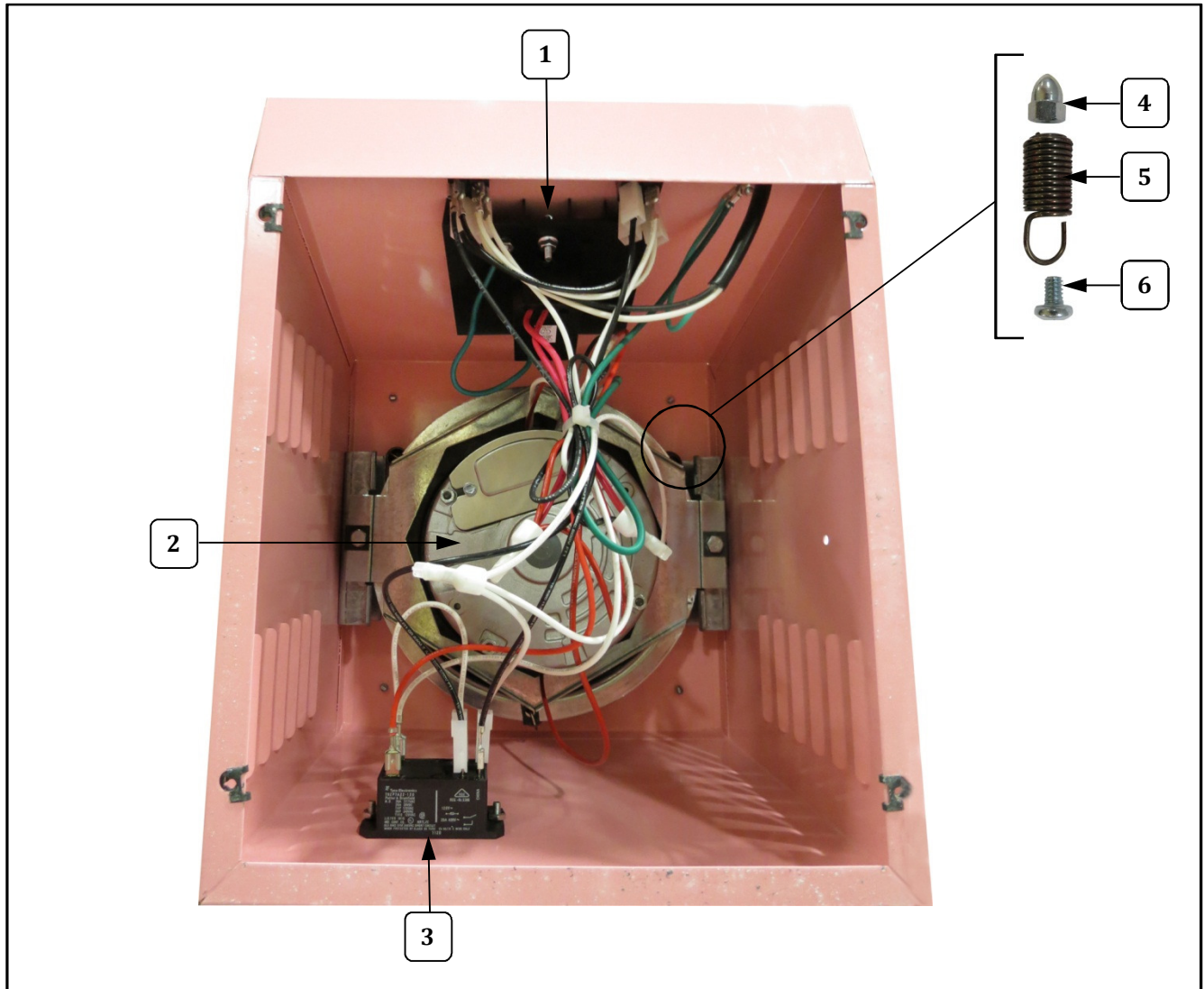
Item	Part Description	Qty.	Part Number			
			3017	3017SR	3017SS	3077 (3077C)
1	ELECTRONIC HEAT CONTROL	1	42558	42558	42558	42558
2	MOTOR, FLOSS MACHINE	1	48649	48649	48649	48649
3	RELAY, 120VAC, DPST-NO	1	48590	48590	48590	48590
4	ACORN NUT 1/4-20	3	49068	49068	49068	49068
5	SPRING, SUSPENSION MEDIUM	3	42524	42524	42524	42524
6	SCREW 1/4-20X3/8 PN HD PH	3	42360	42360	42360	42360

## Cabinet Interior



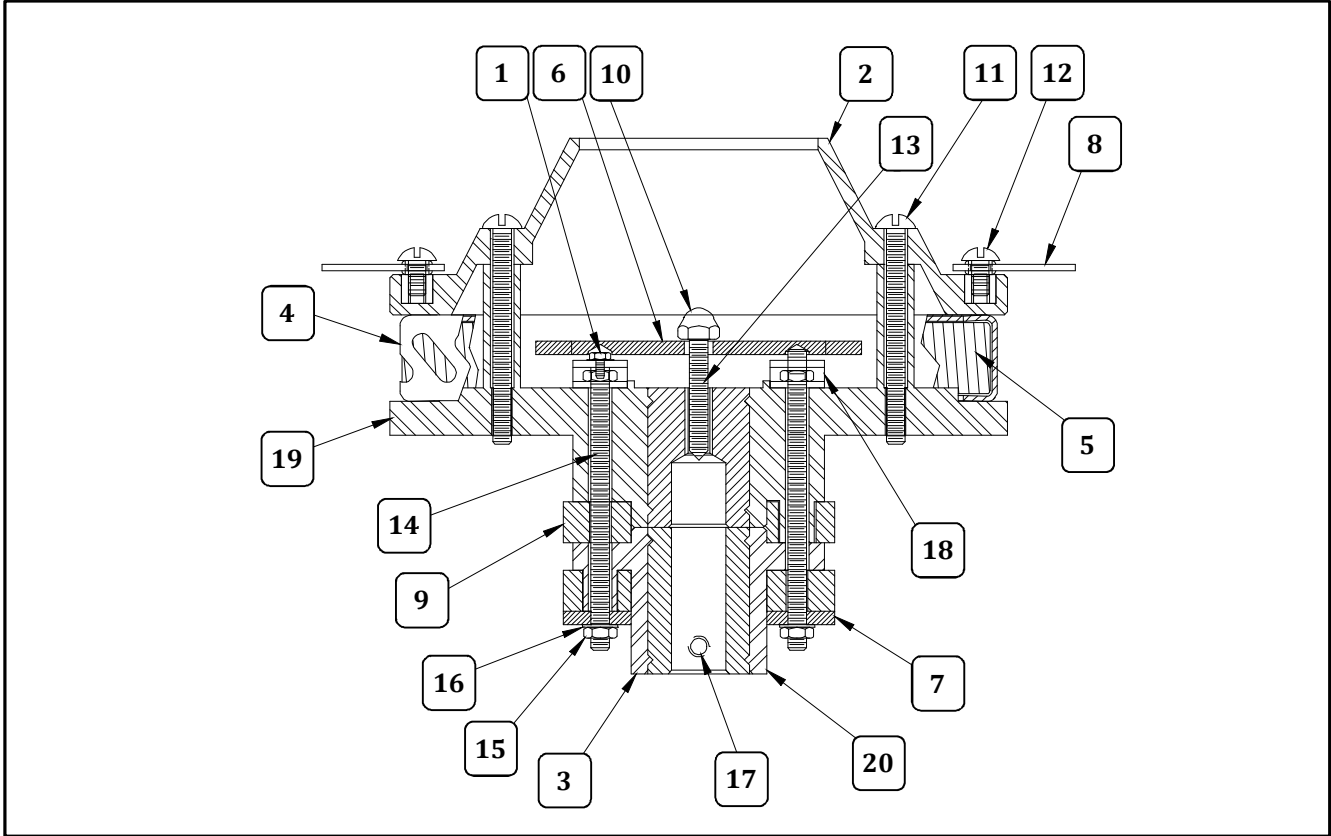
Item	Part Description	Qty.	Part Number			
			3017	3017SR	3017SS	3077 (3077C)
1	ELECTRONIC HEAT CONTROL	1	42558	42558	42558	42558
2	MOTOR, FLOSS MACHINE	1	48649	48649	48649	48649
3	RELAY, 120VAC, DPST-NO	1	48590	48590	48590	48590
4	ACORN NUT 1/4-20	3	49068	49068	49068	49068
5	SPRING, SUSPENSION MEDIUM	3	42524	42524	42524	42524
6	SCREW 1/4-20X3/8 PN HD PH	3	42360	42360	42360	42360

## Cabinet Interior



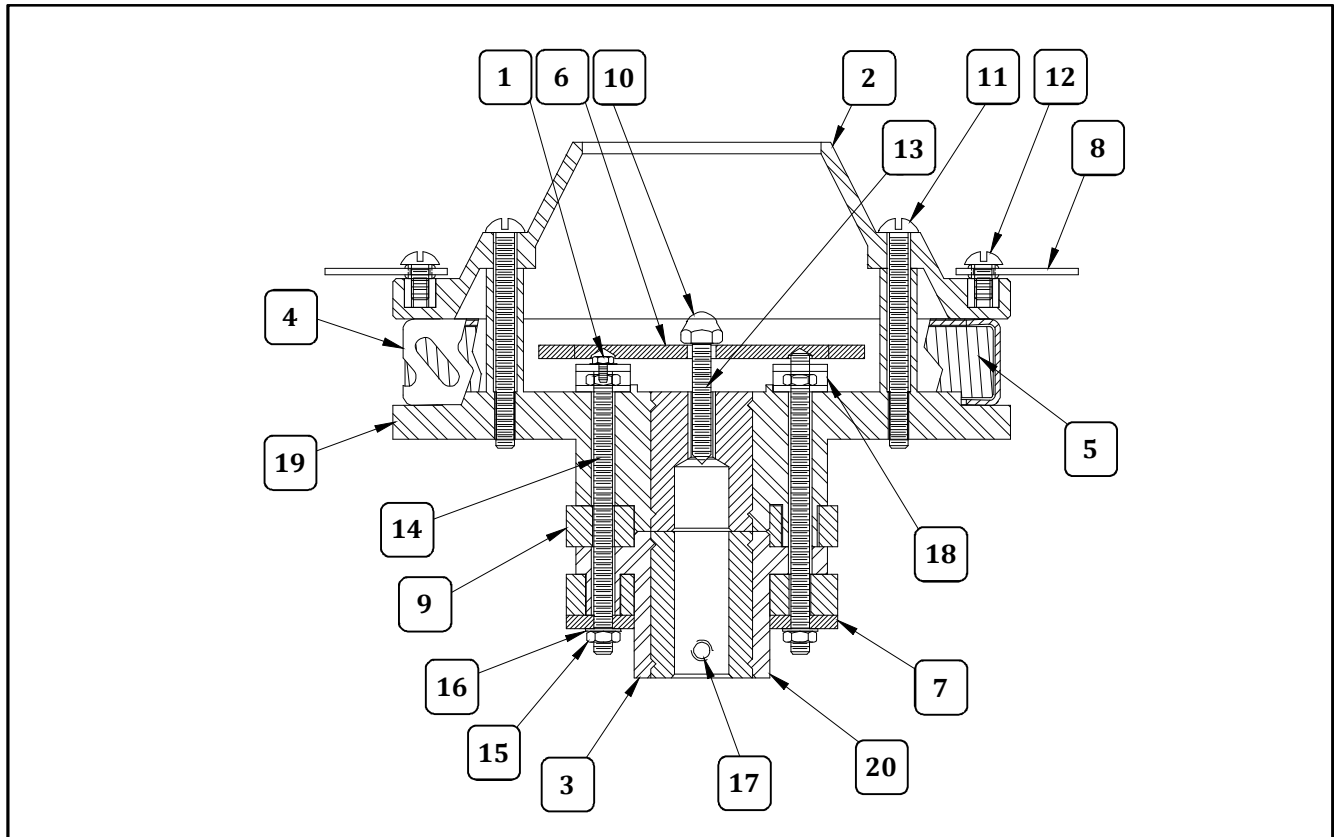
Item	Part Description	Qty.	Part Number			
			3017	3017SR	3017SS	3077 (3077C)
1	ELECTRONIC HEAT CONTROL	1	42558	42558	42558	42558
2	MOTOR, FLOSS MACHINE	1	48649	48649	48649	48649
3	RELAY, 120VAC, DPST-NO	1	48590	48590	48590	48590
4	ACORN NUT 1/4-20	3	49068	49068	49068	49068
5	SPRING, SUSPENSION MEDIUM	3	42524	42524	42524	42524
6	SCREW 1/4-20X3/8 PN HD PH	3	42360	42360	42360	42360

## Floss Machine Head Assembly



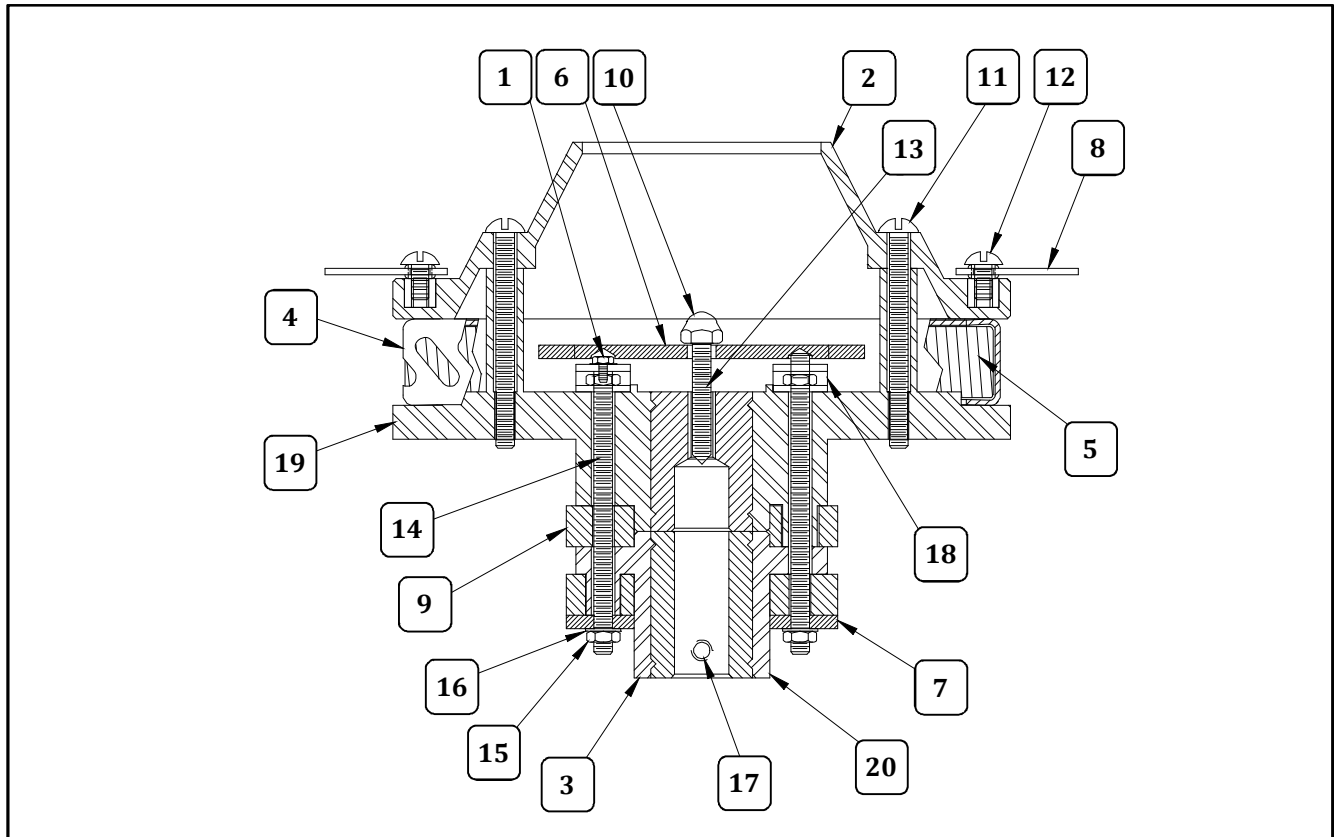
Item	Part Description	Qty.	Part Number			
			3017	3017SR	3017SS	3077 (3077C)
	SPINNER HEAD COMPLETE	1	42283	42283	42283	42561
1	8-32 x 1/4 HX HD WHIZLOCK	4	42045	42045	42045	42045
2	HIGH CAPACITY SPINNER CAP	1	43166	43166	43166	43166
3	SPINNER HEAD BOTTOM ONLY	1	42284	42284	42284	42284
4	5 1/2" FLOSS BAND	1	43165	43165	43165	
	5 1/2IN DBL FLOSS BAND	1				42517
5	5 IN RIBBON ASSY 11 OHMS	1	42251	42251	42251	
	3077/3015A RIBBON ASSY	2				42564
6	PHENOLIC TERMINAL GUARD	1	42162	42162	42162	42162
7	BOTTOM PHENOLIC WASHER	1	20054	20054	20054	20054
8	LEATHER FLOATER	2	20010	20010	20010	20010
9	SLIP RING 3/8 IN	2	42126	42126	42126	42126
10	ACORN NUT NYLON 1/4-20	1	48041	48041	48041	48041
11	10-24 X 2 PHIL PAN M/S	4	42041	42041	42041	
	10-24 X 2 3/4 PHIL PAN M/S	4				42199
12	SCREW 8-32X5/8 PH PAN MS	2	42192	42192	42192	42192
13	SET SCREW 1/4-20 X 2	1	42311	42311	42311	42311
14	SLIP RING STUDS	2	42127	42127	42127	42127
15	HEX NUT 10-32 ZINC PLATED	2	74143	74143	74143	74143
16	#10 INTERNAL TOOTH WASHER	2	12573	12573	12573	12573
17	SET SCREW 1/4-20 X 3/8	2	74125	74125	74125	74125
18	TERMINAL ASSEMBLY	2	42305	42305	42305	42305
19	UPPER SPINNER HEAD	1	42437	42437	42437	42437
20	LOWER SPINNER HEAD 1/2	1	42281	42281	42281	42281

## Floss Machine Head Assembly



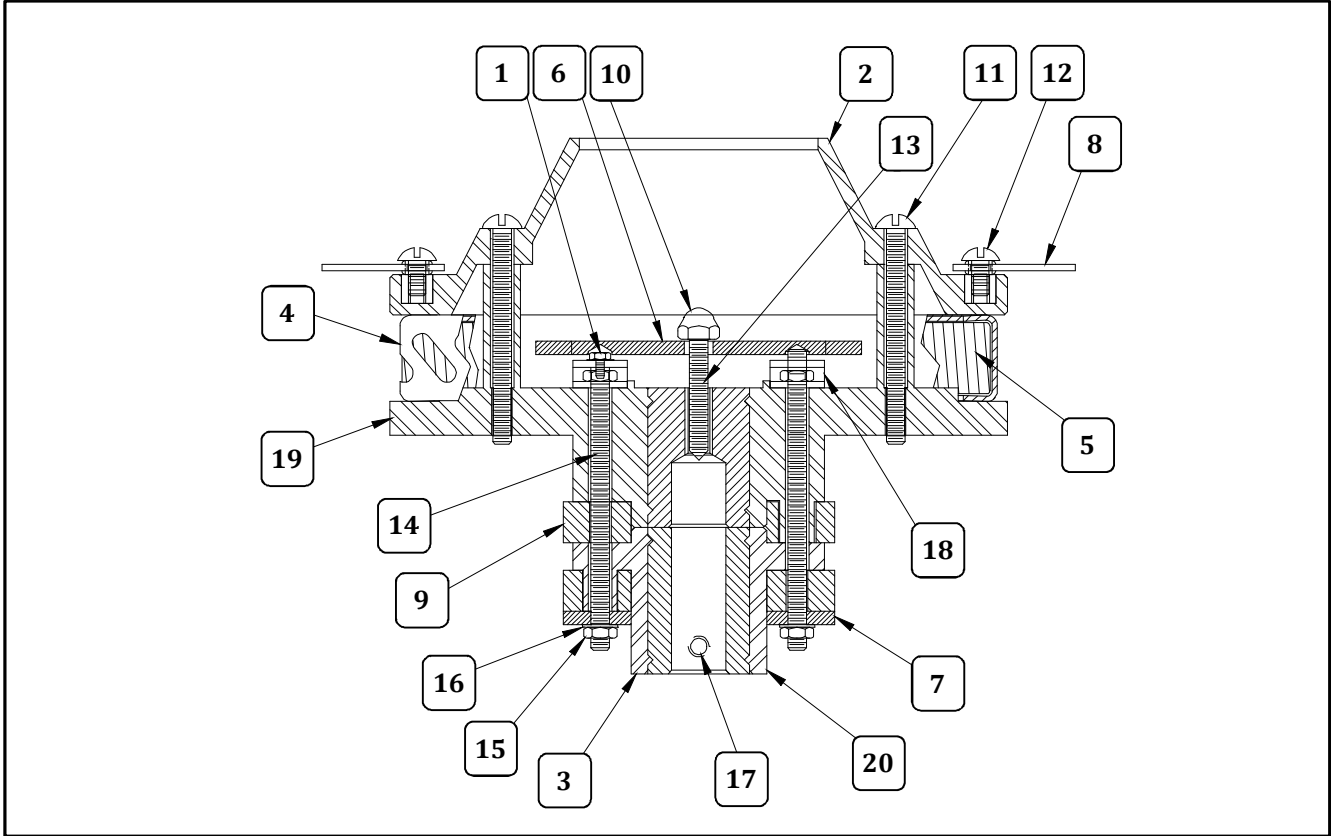
Item	Part Description	Qty.	Part Number			
			3017	3017SR	3017SS	3077 (3077C)
	SPINNER HEAD COMPLETE	1	42283	42283	42283	42561
1	8-32 x 1/4 HX HD WHIZLOCK	4	42045	42045	42045	42045
2	HIGH CAPACITY SPINNER CAP	1	43166	43166	43166	43166
3	SPINNER HEAD BOTTOM ONLY	1	42284	42284	42284	42284
4	5 1/2" FLOSS BAND	1	43165	43165	43165	
	5 1/2IN DBL FLOSS BAND	1				42517
5	5 IN RIBBON ASSY 11 OHMS	1	42251	42251	42251	
	3077/3015A RIBBON ASSY	2				42564
6	PHENOLIC TERMINAL GUARD	1	42162	42162	42162	42162
7	BOTTOM PHENOLIC WASHER	1	20054	20054	20054	20054
8	LEATHER FLOATER	2	20010	20010	20010	20010
9	SLIP RING 3/8 IN	2	42126	42126	42126	42126
10	ACORN NUT NYLON 1/4-20	1	48041	48041	48041	48041
11	10-24 X 2 PHIL PAN M/S	4	42041	42041	42041	
	10-24 X 2 3/4 PHIL PAN M/S	4				42199
12	SCREW 8-32X5/8 PH PAN MS	2	42192	42192	42192	42192
13	SET SCREW 1/4-20 X 2	1	42311	42311	42311	42311
14	SLIP RING STUDS	2	42127	42127	42127	42127
15	HEX NUT 10-32 ZINC PLATED	2	74143	74143	74143	74143
16	#10 INTERNAL TOOTH WASHER	2	12573	12573	12573	12573
17	SET SCREW 1/4-20 X 3/8	2	74125	74125	74125	74125
18	TERMINAL ASSEMBLY	2	42305	42305	42305	42305
19	UPPER SPINNER HEAD	1	42437	42437	42437	42437
20	LOWER SPINNER HEAD 1/2	1	42281	42281	42281	42281

## Floss Machine Head Assembly



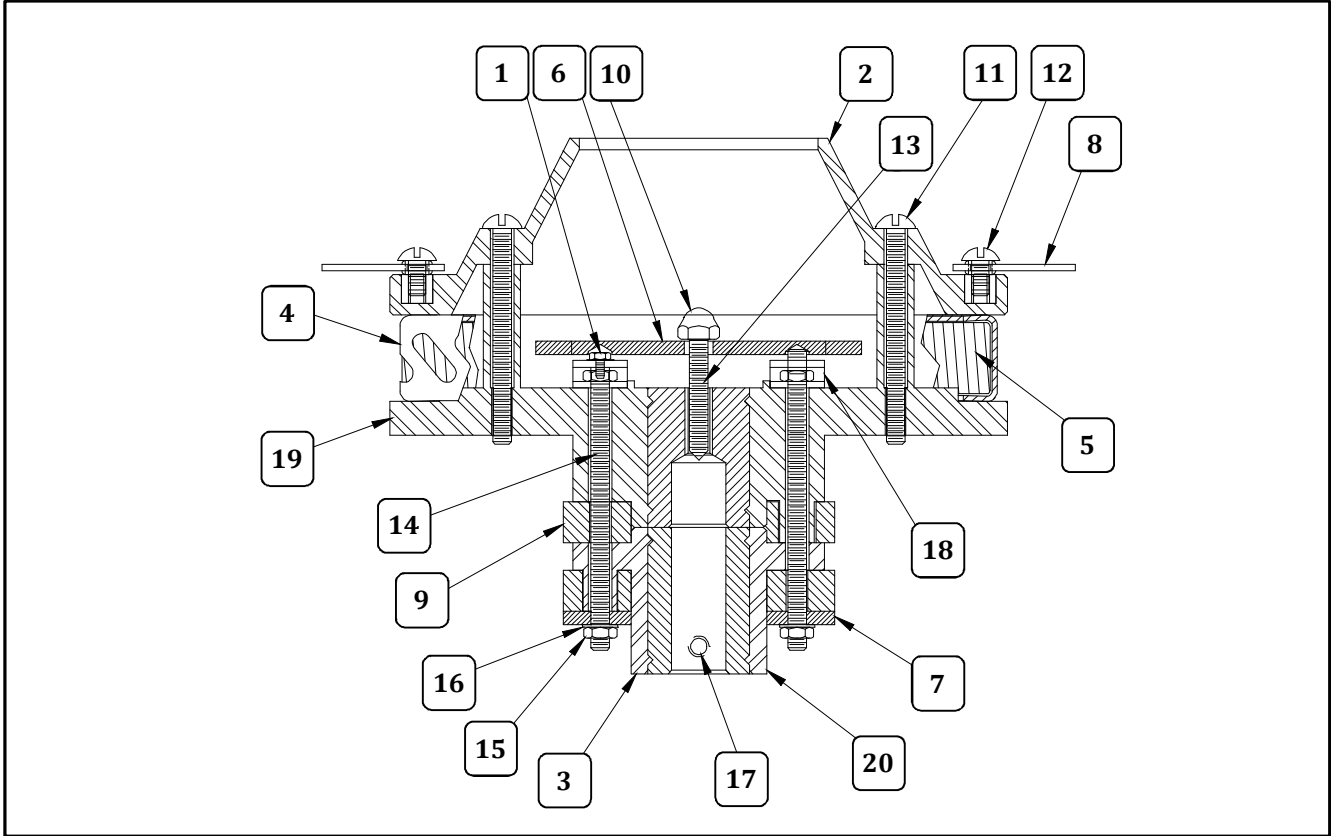
Item	Part Description	Qty.	Part Number			
			3017	3017SR	3017SS	3077 (3077C)
	SPINNER HEAD COMPLETE	1	42283	42283	42283	42561
1	8-32 x 1/4 HX HD WHIZLOCK	4	42045	42045	42045	42045
2	HIGH CAPACITY SPINNER CAP	1	43166	43166	43166	43166
3	SPINNER HEAD BOTTOM ONLY	1	42284	42284	42284	42284
4	5 1/2" FLOSS BAND	1	43165	43165	43165	
	5 1/2IN DBL FLOSS BAND	1				42517
5	5 IN RIBBON ASSY 11 OHMS	1	42251	42251	42251	
	3077/3015A RIBBON ASSY	2				42564
6	PHENOLIC TERMINAL GUARD	1	42162	42162	42162	42162
7	BOTTOM PHENOLIC WASHER	1	20054	20054	20054	20054
8	LEATHER FLOATER	2	20010	20010	20010	20010
9	SLIP RING 3/8 IN	2	42126	42126	42126	42126
10	ACORN NUT NYLON 1/4-20	1	48041	48041	48041	48041
11	10-24 X 2 PHIL PAN M/S	4	42041	42041	42041	
	10-24 X 2 3/4 PHIL PAN M/S	4				42199
12	SCREW 8-32X5/8 PH PAN MS	2	42192	42192	42192	42192
13	SET SCREW 1/4-20 X 2	1	42311	42311	42311	42311
14	SLIP RING STUDS	2	42127	42127	42127	42127
15	HEX NUT 10-32 ZINC PLATED	2	74143	74143	74143	74143
16	#10 INTERNAL TOOTH WASHER	2	12573	12573	12573	12573
17	SET SCREW 1/4-20 X 3/8	2	74125	74125	74125	74125
18	TERMINAL ASSEMBLY	2	42305	42305	42305	42305
19	UPPER SPINNER HEAD	1	42437	42437	42437	42437
20	LOWER SPINNER HEAD 1/2	1	42281	42281	42281	42281

## Floss Machine Head Assembly



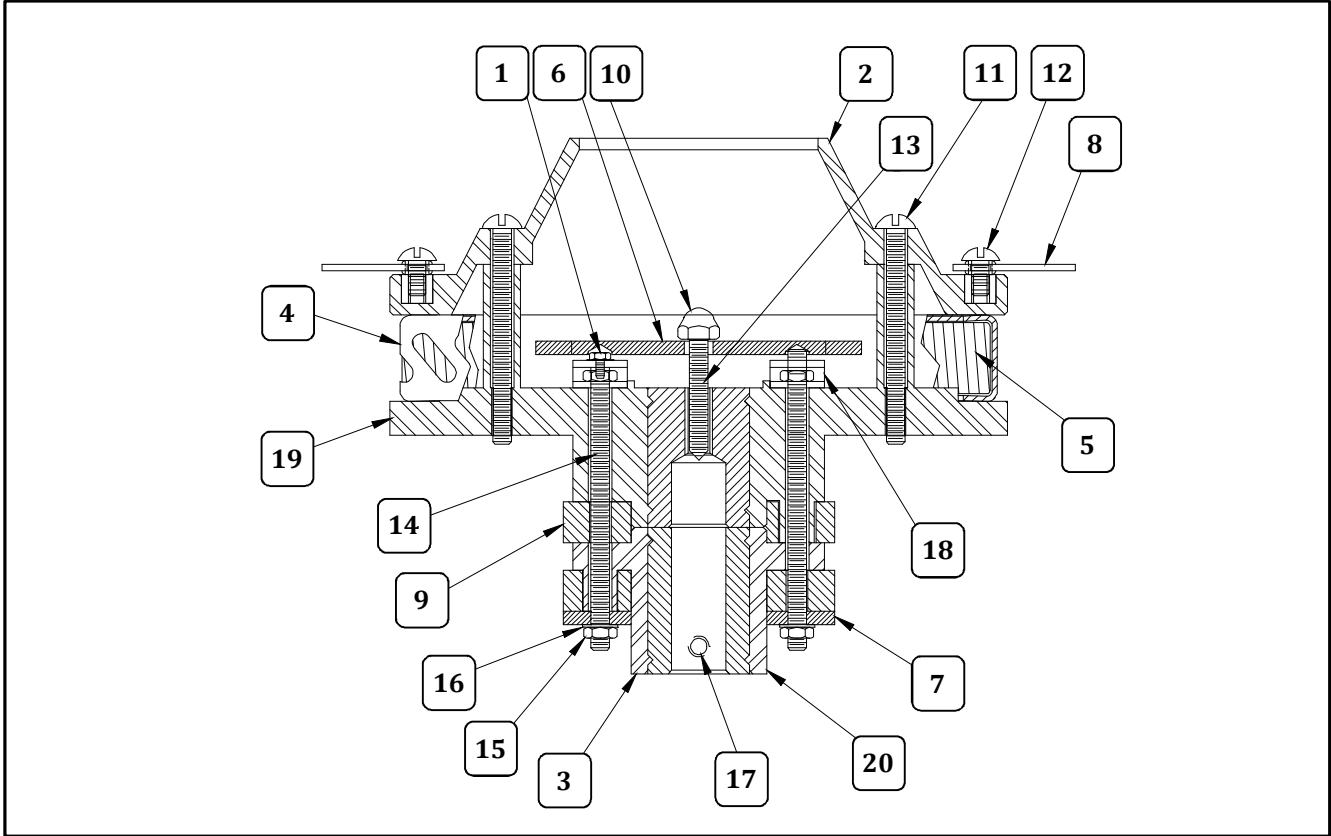
Item	Part Description	Qty.	Part Number			
			3017	3017SR	3017SS	3077 (3077C)
	SPINNER HEAD COMPLETE	1	42283	42283	42283	42561
1	8-32 x 1/4 HX HD WHIZLOCK	4	42045	42045	42045	42045
2	HIGH CAPACITY SPINNER CAP	1	43166	43166	43166	43166
3	SPINNER HEAD BOTTOM ONLY	1	42284	42284	42284	42284
4	5 1/2" FLOSS BAND	1	43165	43165	43165	
	5 1/2IN DBL FLOSS BAND	1				42517
5	5 IN RIBBON ASSY 11 OHMS	1	42251	42251	42251	
	3077/3015A RIBBON ASSY	2				42564
6	PHENOLIC TERMINAL GUARD	1	42162	42162	42162	42162
7	BOTTOM PHENOLIC WASHER	1	20054	20054	20054	20054
8	LEATHER FLOATER	2	20010	20010	20010	20010
9	SLIP RING 3/8 IN	2	42126	42126	42126	42126
10	ACORN NUT NYLON 1/4-20	1	48041	48041	48041	48041
11	10-24 X 2 PHIL PAN M/S	4	42041	42041	42041	
	10-24 X 2 3/4 PHIL PAN M/S	4				42199
12	SCREW 8-32X5/8 PH PAN MS	2	42192	42192	42192	42192
13	SET SCREW 1/4-20 X 2	1	42311	42311	42311	42311
14	SLIP RING STUDS	2	42127	42127	42127	42127
15	HEX NUT 10-32 ZINC PLATED	2	74143	74143	74143	74143
16	#10 INTERNAL TOOTH WASHER	2	12573	12573	12573	12573
17	SET SCREW 1/4-20 X 3/8	2	74125	74125	74125	74125
18	TERMINAL ASSEMBLY	2	42305	42305	42305	42305
19	UPPER SPINNER HEAD	1	42437	42437	42437	42437
20	LOWER SPINNER HEAD 1/2	1	42281	42281	42281	42281

## Floss Machine Head Assembly



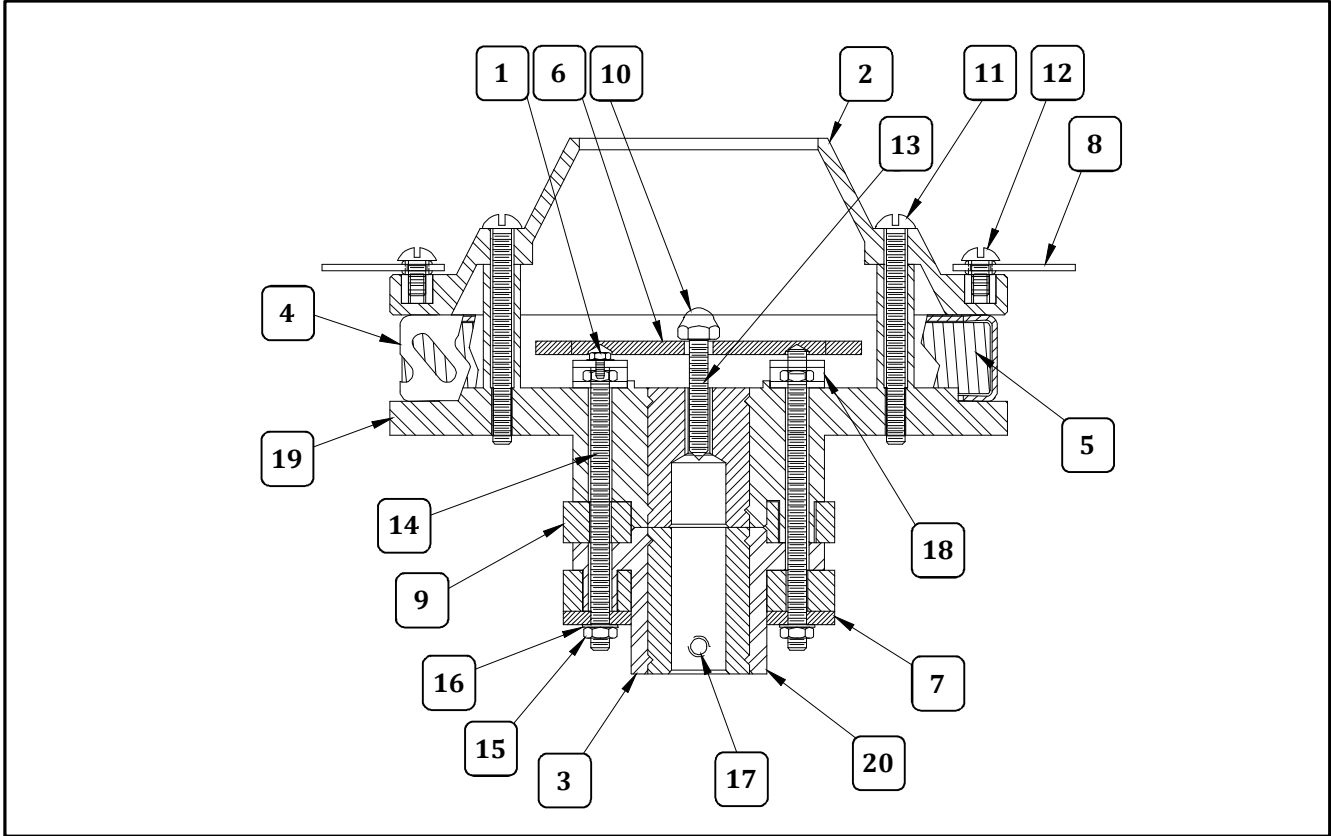
Item	Part Description	Qty.	Part Number			
			3017	3017SR	3017SS	3077 (3077C)
	SPINNER HEAD COMPLETE	1	42283	42283	42283	42561
1	8-32 x 1/4 HX HD WHIZLOCK	4	42045	42045	42045	42045
2	HIGH CAPACITY SPINNER CAP	1	43166	43166	43166	43166
3	SPINNER HEAD BOTTOM ONLY	1	42284	42284	42284	42284
4	5 1/2" FLOSS BAND	1	43165	43165	43165	
	5 1/2IN DBL FLOSS BAND	1				42517
5	5 IN RIBBON ASSY 11 OHMS	1	42251	42251	42251	
	3077/3015A RIBBON ASSY	2				42564
6	PHENOLIC TERMINAL GUARD	1	42162	42162	42162	42162
7	BOTTOM PHENOLIC WASHER	1	20054	20054	20054	20054
8	LEATHER FLOATER	2	20010	20010	20010	20010
9	SLIP RING 3/8 IN	2	42126	42126	42126	42126
10	ACORN NUT NYLON 1/4-20	1	48041	48041	48041	48041
11	10-24 X 2 PHIL PAN M/S	4	42041	42041	42041	
	10-24 X 2 3/4 PHIL PAN M/S	4				42199
12	SCREW 8-32X5/8 PH PAN MS	2	42192	42192	42192	42192
13	SET SCREW 1/4-20 X 2	1	42311	42311	42311	42311
14	SLIP RING STUDS	2	42127	42127	42127	42127
15	HEX NUT 10-32 ZINC PLATED	2	74143	74143	74143	74143
16	#10 INTERNAL TOOTH WASHER	2	12573	12573	12573	12573
17	SET SCREW 1/4-20 X 3/8	2	74125	74125	74125	74125
18	TERMINAL ASSEMBLY	2	42305	42305	42305	42305
19	UPPER SPINNER HEAD	1	42437	42437	42437	42437
20	LOWER SPINNER HEAD 1/2	1	42281	42281	42281	42281

## Floss Machine Head Assembly



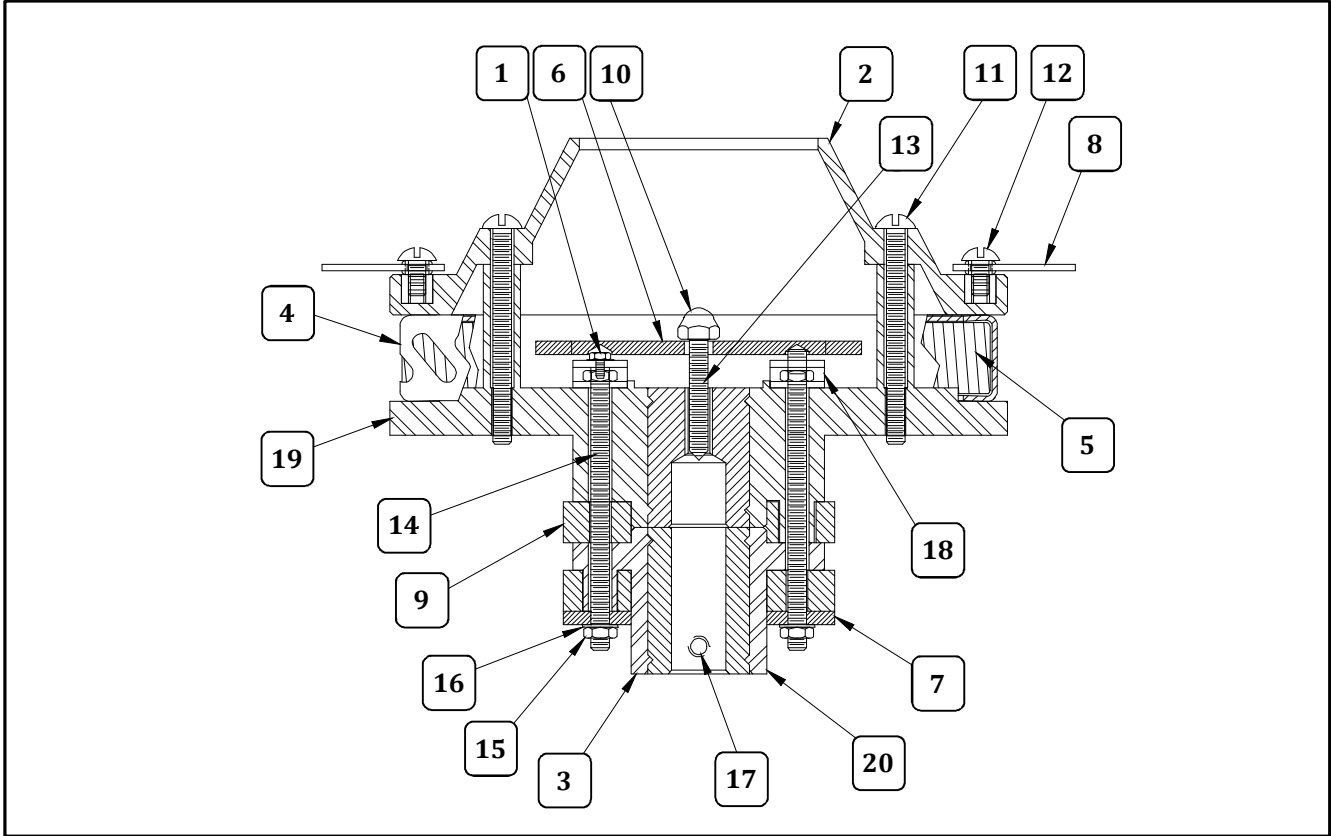
Item	Part Description	Qty.	Part Number			
			3017	3017SR	3017SS	3077 (3077C)
	SPINNER HEAD COMPLETE	1	42283	42283	42283	42561
1	8-32 x 1/4 HX HD WHIZLOCK	4	42045	42045	42045	42045
2	HIGH CAPACITY SPINNER CAP	1	43166	43166	43166	43166
3	SPINNER HEAD BOTTOM ONLY	1	42284	42284	42284	42284
4	5 1/2" FLOSS BAND	1	43165	43165	43165	
	5 1/2IN DBL FLOSS BAND	1				42517
5	5 IN RIBBON ASSY 11 OHMS	1	42251	42251	42251	
	3077/3015A RIBBON ASSY	2				42564
6	PHENOLIC TERMINAL GUARD	1	42162	42162	42162	42162
7	BOTTOM PHENOLIC WASHER	1	20054	20054	20054	20054
8	LEATHER FLOATER	2	20010	20010	20010	20010
9	SLIP RING 3/8 IN	2	42126	42126	42126	42126
10	ACORN NUT NYLON 1/4-20	1	48041	48041	48041	48041
11	10-24 X 2 PHIL PAN M/S	4	42041	42041	42041	
	10-24 X 2 3/4 PHIL PAN M/S	4				42199
12	SCREW 8-32X5/8 PH PAN MS	2	42192	42192	42192	42192
13	SET SCREW 1/4-20 X 2	1	42311	42311	42311	42311
14	SLIP RING STUDS	2	42127	42127	42127	42127
15	HEX NUT 10-32 ZINC PLATED	2	74143	74143	74143	74143
16	#10 INTERNAL TOOTH WASHER	2	12573	12573	12573	12573
17	SET SCREW 1/4-20 X 3/8	2	74125	74125	74125	74125
18	TERMINAL ASSEMBLY	2	42305	42305	42305	42305
19	UPPER SPINNER HEAD	1	42437	42437	42437	42437
20	LOWER SPINNER HEAD 1/2	1	42281	42281	42281	42281

## Floss Machine Head Assembly



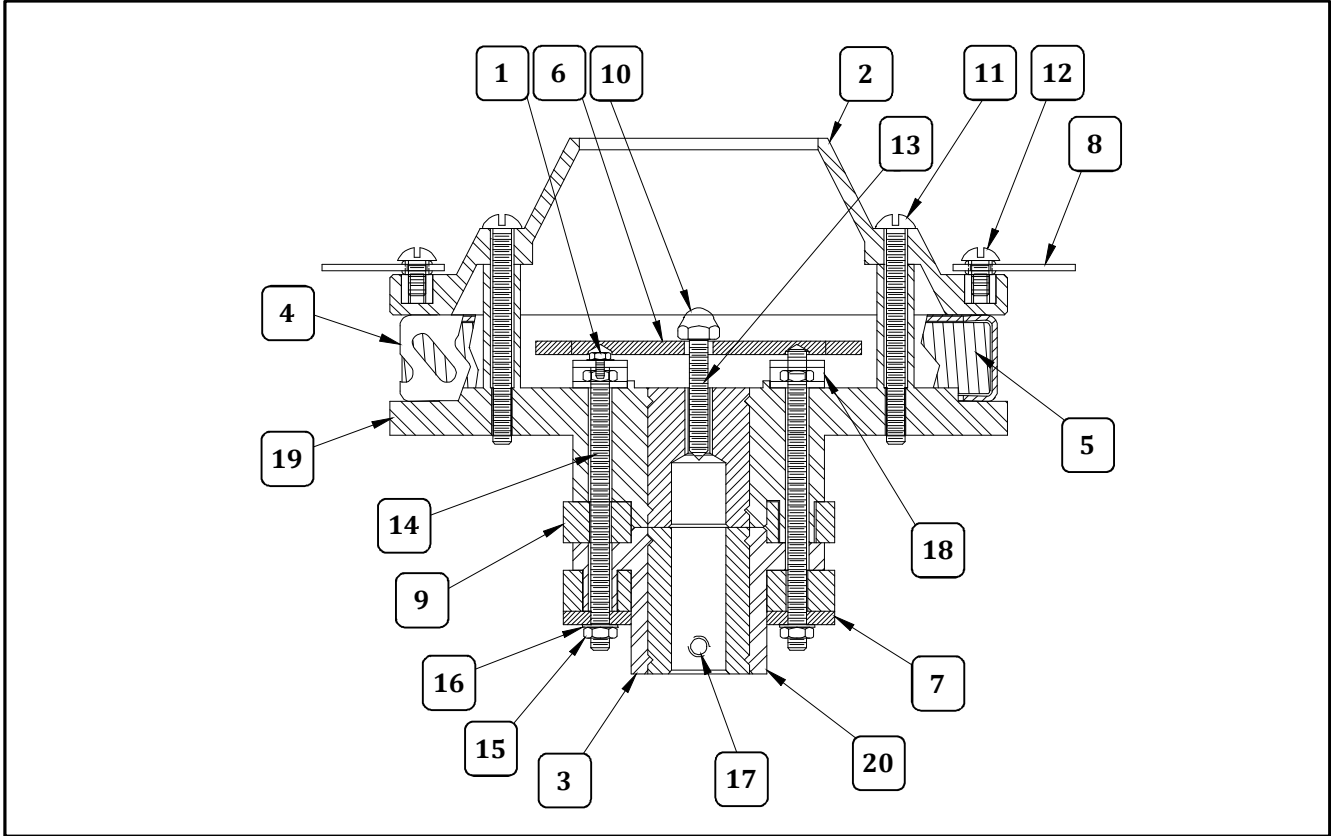
Item	Part Description	Qty.	Part Number			
			3017	3017SR	3017SS	3077 (3077C)
	SPINNER HEAD COMPLETE	1	42283	42283	42283	42561
1	8-32 x 1/4 HX HD WHIZLOCK	4	42045	42045	42045	42045
2	HIGH CAPACITY SPINNER CAP	1	43166	43166	43166	43166
3	SPINNER HEAD BOTTOM ONLY	1	42284	42284	42284	42284
4	5 1/2" FLOSS BAND	1	43165	43165	43165	
	5 1/2IN DBL FLOSS BAND	1				42517
5	5 IN RIBBON ASSY 11 OHMS	1	42251	42251	42251	
	3077/3015A RIBBON ASSY	2				42564
6	PHENOLIC TERMINAL GUARD	1	42162	42162	42162	42162
7	BOTTOM PHENOLIC WASHER	1	20054	20054	20054	20054
8	LEATHER FLOATER	2	20010	20010	20010	20010
9	SLIP RING 3/8 IN	2	42126	42126	42126	42126
10	ACORN NUT NYLON 1/4-20	1	48041	48041	48041	48041
11	10-24 X 2 PHIL PAN M/S	4	42041	42041	42041	
	10-24 X 2 3/4 PHIL PAN M/S	4				42199
12	SCREW 8-32X5/8 PH PAN MS	2	42192	42192	42192	42192
13	SET SCREW 1/4-20 X 2	1	42311	42311	42311	42311
14	SLIP RING STUDS	2	42127	42127	42127	42127
15	HEX NUT 10-32 ZINC PLATED	2	74143	74143	74143	74143
16	#10 INTERNAL TOOTH WASHER	2	12573	12573	12573	12573
17	SET SCREW 1/4-20 X 3/8	2	74125	74125	74125	74125
18	TERMINAL ASSEMBLY	2	42305	42305	42305	42305
19	UPPER SPINNER HEAD	1	42437	42437	42437	42437
20	LOWER SPINNER HEAD 1/2	1	42281	42281	42281	42281

## Floss Machine Head Assembly



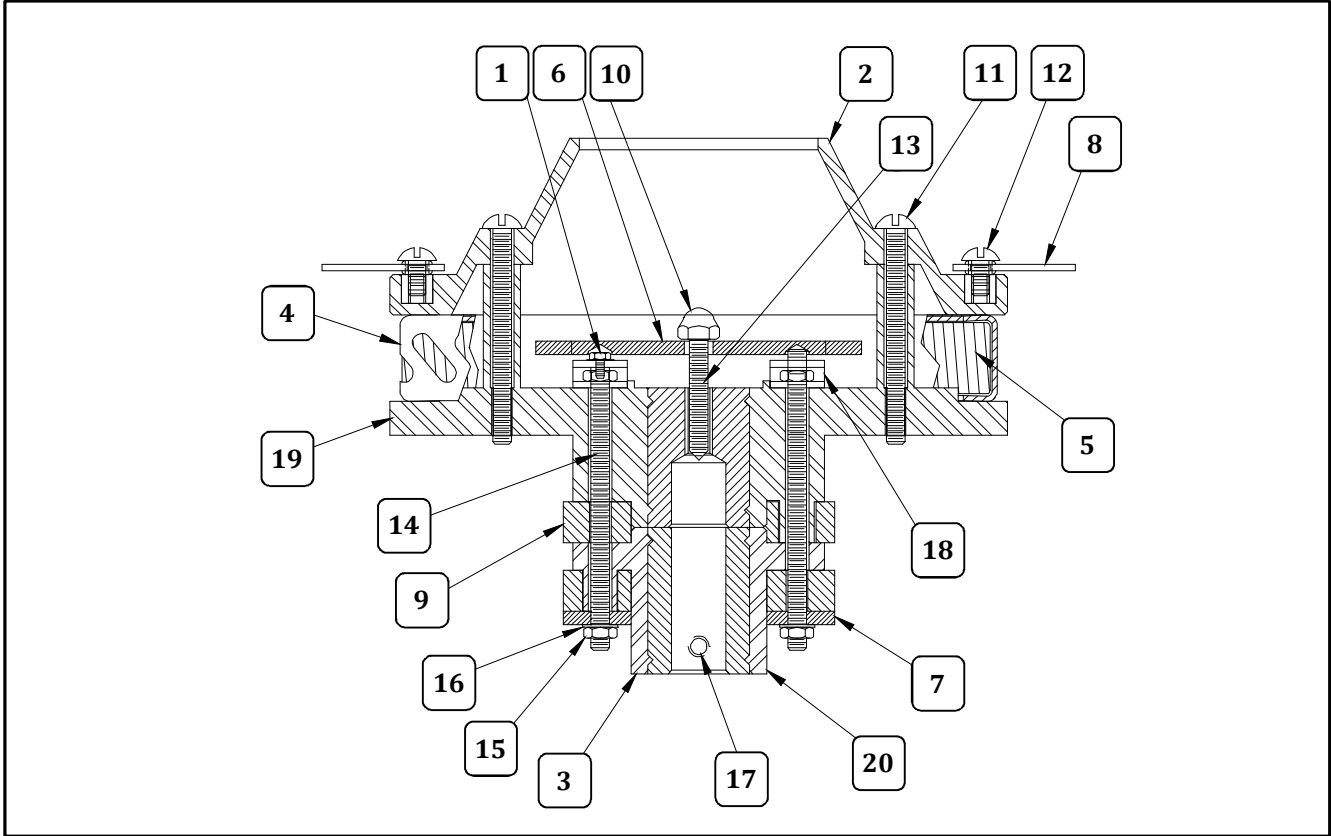
Item	Part Description	Qty.	Part Number			
			3017	3017SR	3017SS	3077 (3077C)
	SPINNER HEAD COMPLETE	1	42283	42283	42283	42561
1	8-32 x 1/4 HX HD WHIZLOCK	4	42045	42045	42045	42045
2	HIGH CAPACITY SPINNER CAP	1	43166	43166	43166	43166
3	SPINNER HEAD BOTTOM ONLY	1	42284	42284	42284	42284
4	5 1/2" FLOSS BAND	1	43165	43165	43165	
	5 1/2IN DBL FLOSS BAND	1				42517
5	5 IN RIBBON ASSY 11 OHMS	1	42251	42251	42251	
	3077/3015A RIBBON ASSY	2				42564
6	PHENOLIC TERMINAL GUARD	1	42162	42162	42162	42162
7	BOTTOM PHENOLIC WASHER	1	20054	20054	20054	20054
8	LEATHER FLOATER	2	20010	20010	20010	20010
9	SLIP RING 3/8 IN	2	42126	42126	42126	42126
10	ACORN NUT NYLON 1/4-20	1	48041	48041	48041	48041
11	10-24 X 2 PHIL PAN M/S	4	42041	42041	42041	
	10-24 X 2 3/4 PHIL PAN M/S	4				42199
12	SCREW 8-32X5/8 PH PAN MS	2	42192	42192	42192	42192
13	SET SCREW 1/4-20 X 2	1	42311	42311	42311	42311
14	SLIP RING STUDS	2	42127	42127	42127	42127
15	HEX NUT 10-32 ZINC PLATED	2	74143	74143	74143	74143
16	#10 INTERNAL TOOTH WASHER	2	12573	12573	12573	12573
17	SET SCREW 1/4-20 X 3/8	2	74125	74125	74125	74125
18	TERMINAL ASSEMBLY	2	42305	42305	42305	42305
19	UPPER SPINNER HEAD	1	42437	42437	42437	42437
20	LOWER SPINNER HEAD 1/2	1	42281	42281	42281	42281

## Floss Machine Head Assembly



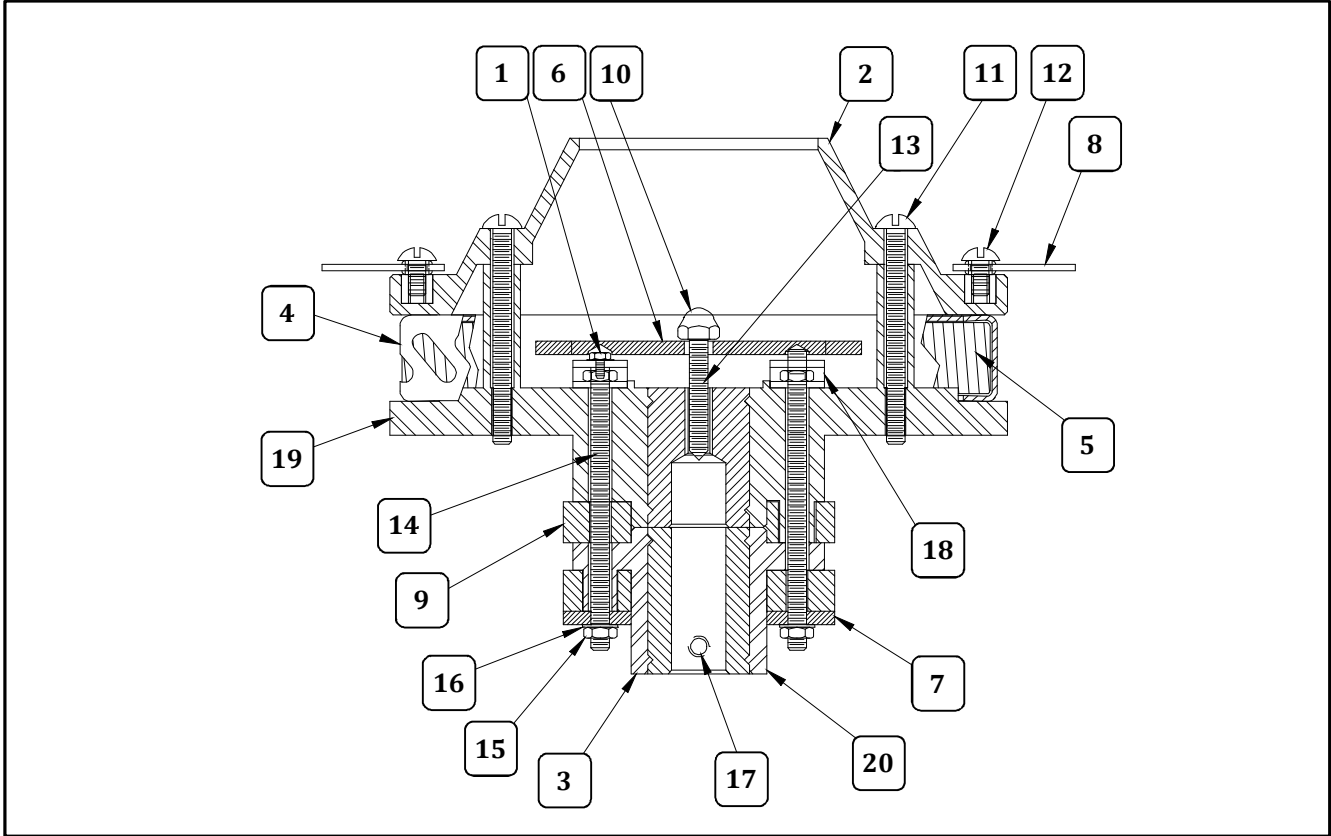
Item	Part Description	Qty.	Part Number			
			3017	3017SR	3017SS	3077 (3077C)
	SPINNER HEAD COMPLETE	1	42283	42283	42283	42561
1	8-32 x 1/4 HX HD WHIZLOCK	4	42045	42045	42045	42045
2	HIGH CAPACITY SPINNER CAP	1	43166	43166	43166	43166
3	SPINNER HEAD BOTTOM ONLY	1	42284	42284	42284	42284
4	5 1/2" FLOSS BAND	1	43165	43165	43165	
	5 1/2IN DBL FLOSS BAND	1				42517
5	5 IN RIBBON ASSY 11 OHMS	1	42251	42251	42251	
	3077/3015A RIBBON ASSY	2				42564
6	PHENOLIC TERMINAL GUARD	1	42162	42162	42162	42162
7	BOTTOM PHENOLIC WASHER	1	20054	20054	20054	20054
8	LEATHER FLOATER	2	20010	20010	20010	20010
9	SLIP RING 3/8 IN	2	42126	42126	42126	42126
10	ACORN NUT NYLON 1/4-20	1	48041	48041	48041	48041
11	10-24 X 2 PHIL PAN M/S	4	42041	42041	42041	
	10-24 X 2 3/4 PHIL PAN M/S	4				42199
12	SCREW 8-32X5/8 PH PAN MS	2	42192	42192	42192	42192
13	SET SCREW 1/4-20 X 2	1	42311	42311	42311	42311
14	SLIP RING STUDS	2	42127	42127	42127	42127
15	HEX NUT 10-32 ZINC PLATED	2	74143	74143	74143	74143
16	#10 INTERNAL TOOTH WASHER	2	12573	12573	12573	12573
17	SET SCREW 1/4-20 X 3/8	2	74125	74125	74125	74125
18	TERMINAL ASSEMBLY	2	42305	42305	42305	42305
19	UPPER SPINNER HEAD	1	42437	42437	42437	42437
20	LOWER SPINNER HEAD 1/2	1	42281	42281	42281	42281

## Floss Machine Head Assembly



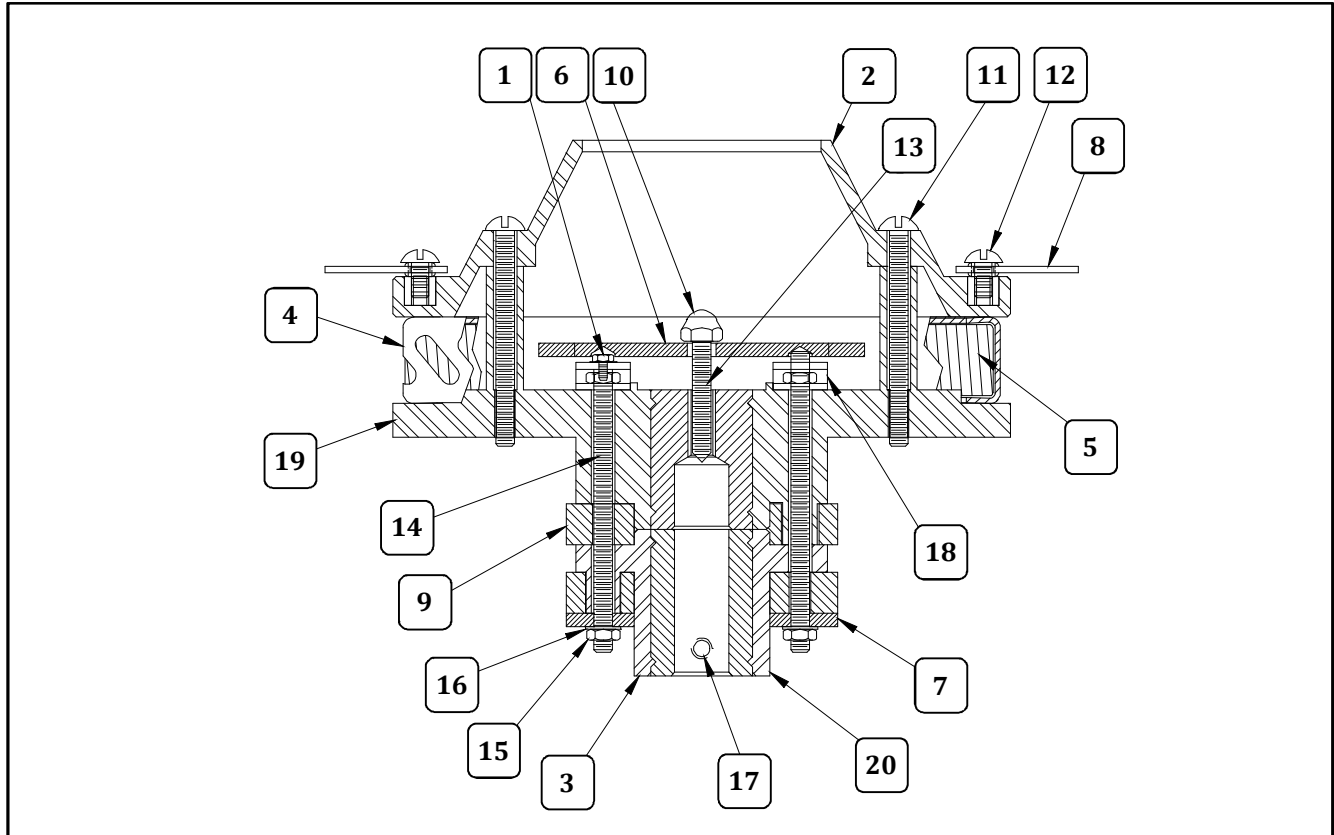
Item	Part Description	Qty.	Part Number			
			3017	3017SR	3017SS	3077 (3077C)
	SPINNER HEAD COMPLETE	1	42283	42283	42283	42561
1	8-32 x 1/4 HX HD WHIZLOCK	4	42045	42045	42045	42045
2	HIGH CAPACITY SPINNER CAP	1	43166	43166	43166	43166
3	SPINNER HEAD BOTTOM ONLY	1	42284	42284	42284	42284
4	5 1/2" FLOSS BAND	1	43165	43165	43165	
	5 1/2IN DBL FLOSS BAND	1				42517
5	5 IN RIBBON ASSY 11 OHMS	1	42251	42251	42251	
	3077/3015A RIBBON ASSY	2				42564
6	PHENOLIC TERMINAL GUARD	1	42162	42162	42162	42162
7	BOTTOM PHENOLIC WASHER	1	20054	20054	20054	20054
8	LEATHER FLOATER	2	20010	20010	20010	20010
9	SLIP RING 3/8 IN	2	42126	42126	42126	42126
10	ACORN NUT NYLON 1/4-20	1	48041	48041	48041	48041
11	10-24 X 2 PHIL PAN M/S	4	42041	42041	42041	
	10-24 X 2 3/4 PHIL PAN M/S	4				42199
12	SCREW 8-32X5/8 PH PAN MS	2	42192	42192	42192	42192
13	SET SCREW 1/4-20 X 2	1	42311	42311	42311	42311
14	SLIP RING STUDS	2	42127	42127	42127	42127
15	HEX NUT 10-32 ZINC PLATED	2	74143	74143	74143	74143
16	#10 INTERNAL TOOTH WASHER	2	12573	12573	12573	12573
17	SET SCREW 1/4-20 X 3/8	2	74125	74125	74125	74125
18	TERMINAL ASSEMBLY	2	42305	42305	42305	42305
19	UPPER SPINNER HEAD	1	42437	42437	42437	42437
20	LOWER SPINNER HEAD 1/2	1	42281	42281	42281	42281

## Floss Machine Head Assembly



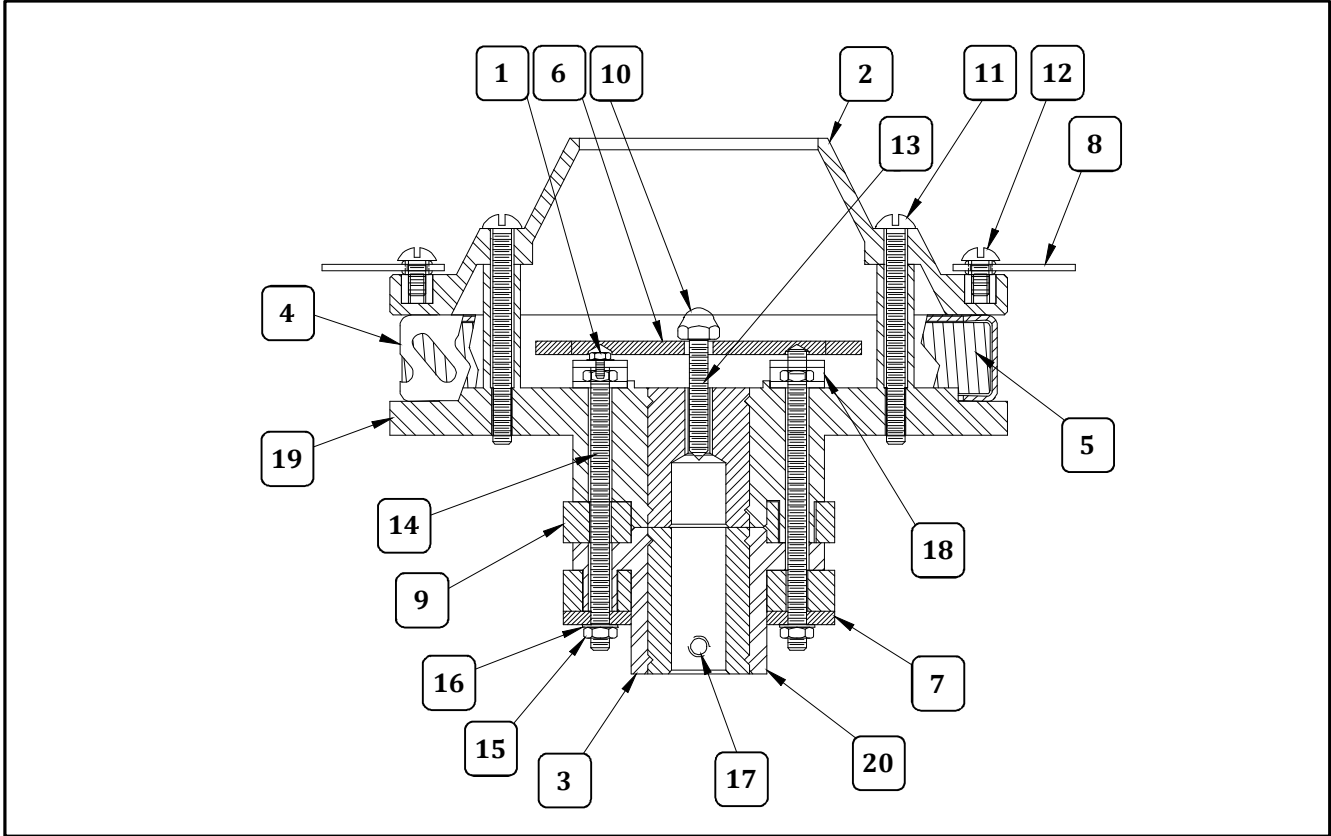
Item	Part Description	Qty.	Part Number			
			3017	3017SR	3017SS	3077 (3077C)
	SPINNER HEAD COMPLETE	1	42283	42283	42283	42561
1	8-32 x 1/4 HX HD WHIZLOCK	4	42045	42045	42045	42045
2	HIGH CAPACITY SPINNER CAP	1	43166	43166	43166	43166
3	SPINNER HEAD BOTTOM ONLY	1	42284	42284	42284	42284
4	5 1/2" FLOSS BAND	1	43165	43165	43165	
	5 1/2IN DBL FLOSS BAND	1				42517
5	5 IN RIBBON ASSY 11 OHMS	1	42251	42251	42251	
	3077/3015A RIBBON ASSY	2				42564
6	PHENOLIC TERMINAL GUARD	1	42162	42162	42162	42162
7	BOTTOM PHENOLIC WASHER	1	20054	20054	20054	20054
8	LEATHER FLOATER	2	20010	20010	20010	20010
9	SLIP RING 3/8 IN	2	42126	42126	42126	42126
10	ACORN NUT NYLON 1/4-20	1	48041	48041	48041	48041
11	10-24 X 2 PHIL PAN M/S	4	42041	42041	42041	
	10-24 X 2 3/4 PHIL PAN M/S	4				42199
12	SCREW 8-32X5/8 PH PAN MS	2	42192	42192	42192	42192
13	SET SCREW 1/4-20 X 2	1	42311	42311	42311	42311
14	SLIP RING STUDS	2	42127	42127	42127	42127
15	HEX NUT 10-32 ZINC PLATED	2	74143	74143	74143	74143
16	#10 INTERNAL TOOTH WASHER	2	12573	12573	12573	12573
17	SET SCREW 1/4-20 X 3/8	2	74125	74125	74125	74125
18	TERMINAL ASSEMBLY	2	42305	42305	42305	42305
19	UPPER SPINNER HEAD	1	42437	42437	42437	42437
20	LOWER SPINNER HEAD 1/2	1	42281	42281	42281	42281

## Floss Machine Head Assembly



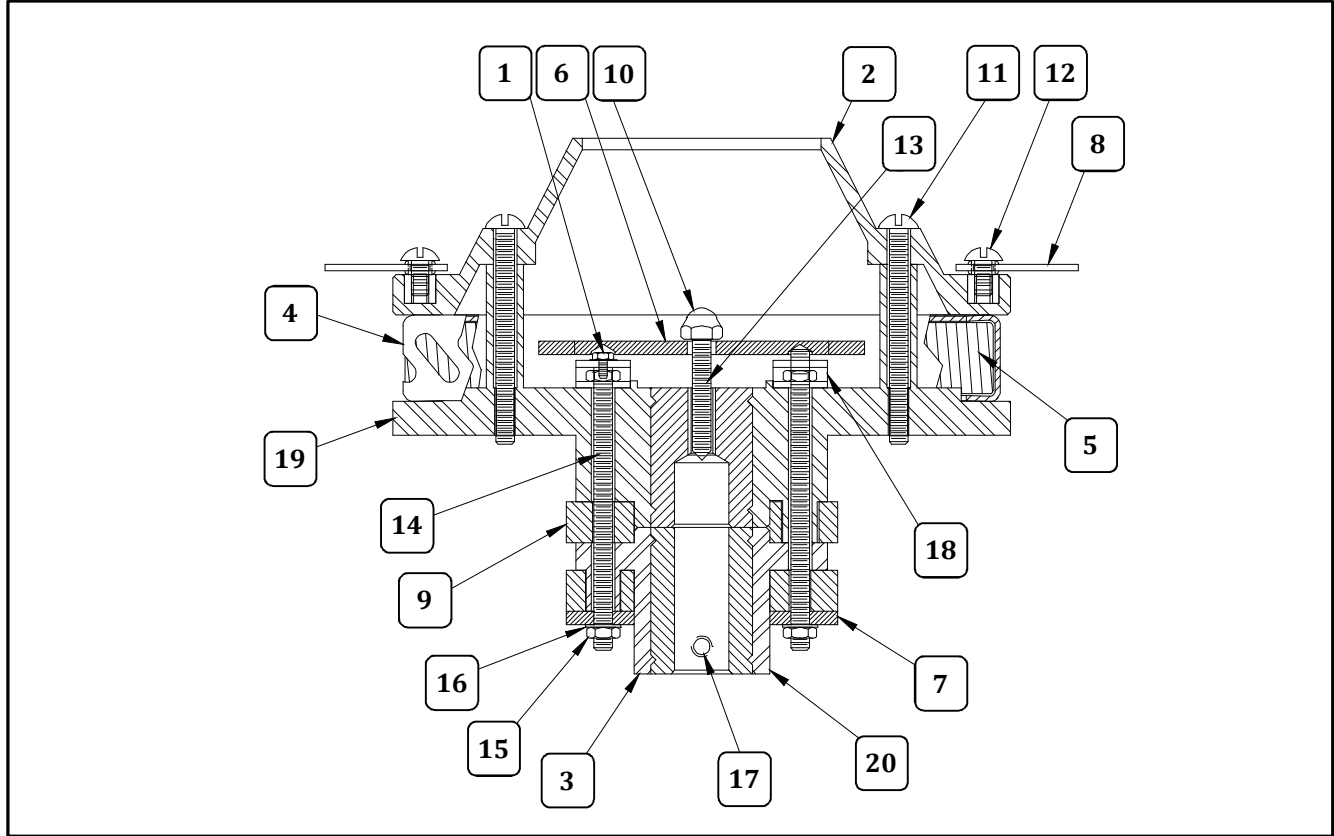
Item	Part Description	Qty.	Part Number			
			3017	3017SR	3017SS	3077 (3077C)
	SPINNER HEAD COMPLETE	1	42283	42283	42283	42561
1	8-32 x 1/4 HX HD WHIZLOCK	4	42045	42045	42045	42045
2	HIGH CAPACITY SPINNER CAP	1	43166	43166	43166	43166
3	SPINNER HEAD BOTTOM ONLY	1	42284	42284	42284	42284
4	5 1/2" FLOSS BAND	1	43165	43165	43165	
	5 1/2IN DBL FLOSS BAND	1				42517
5	5 IN RIBBON ASSY 11 OHMS	1	42251	42251	42251	
	3077/3015A RIBBON ASSY	2				42564
6	PHENOLIC TERMINAL GUARD	1	42162	42162	42162	42162
7	BOTTOM PHENOLIC WASHER	1	20054	20054	20054	20054
8	LEATHER FLOATER	2	20010	20010	20010	20010
9	SLIP RING 3/8 IN	2	42126	42126	42126	42126
10	ACORN NUT NYLON 1/4-20	1	48041	48041	48041	48041
11	10-24 X 2 PHIL PAN M/S	4	42041	42041	42041	
	10-24 X 2 3/4 PHIL PAN M/S	4				42199
12	SCREW 8-32X5/8 PH PAN MS	2	42192	42192	42192	42192
13	SET SCREW 1/4-20 X 2	1	42311	42311	42311	42311
14	SLIP RING STUDS	2	42127	42127	42127	42127
15	HEX NUT 10-32 ZINC PLATED	2	74143	74143	74143	74143
16	#10 INTERNAL TOOTH WASHER	2	12573	12573	12573	12573
17	SET SCREW 1/4-20 X 3/8	2	74125	74125	74125	74125
18	TERMINAL ASSEMBLY	2	42305	42305	42305	42305
19	UPPER SPINNER HEAD	1	42437	42437	42437	42437
20	LOWER SPINNER HEAD 1/2	1	42281	42281	42281	42281

## Floss Machine Head Assembly



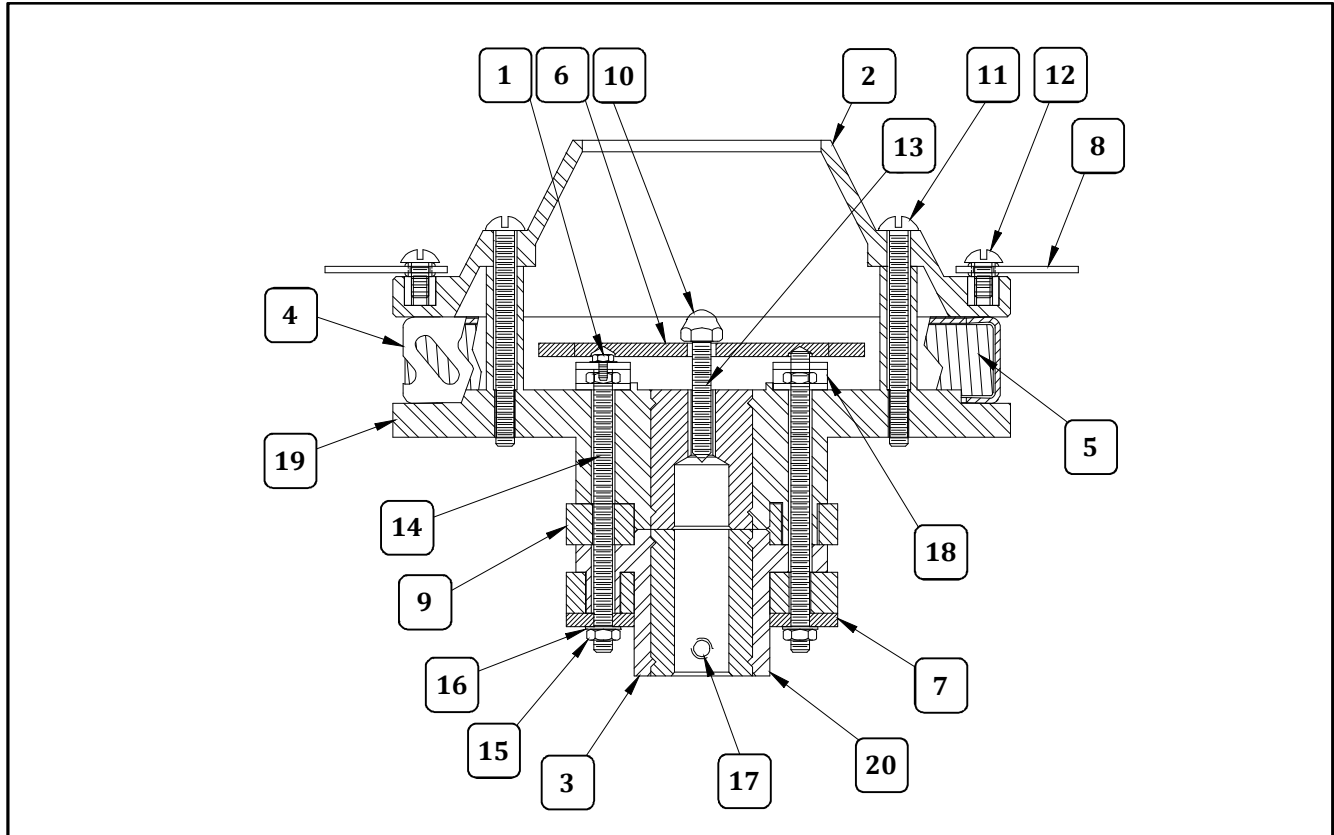
Item	Part Description	Qty.	Part Number			
			3017	3017SR	3017SS	3077 (3077C)
	SPINNER HEAD COMPLETE	1	42283	42283	42283	42561
1	8-32 x 1/4 HX HD WHIZLOCK	4	42045	42045	42045	42045
2	HIGH CAPACITY SPINNER CAP	1	43166	43166	43166	43166
3	SPINNER HEAD BOTTOM ONLY	1	42284	42284	42284	42284
4	5 1/2" FLOSS BAND	1	43165	43165	43165	
	5 1/2IN DBL FLOSS BAND	1				42517
5	5 IN RIBBON ASSY 11 OHMS	1	42251	42251	42251	
	3077/3015A RIBBON ASSY	2				42564
6	PHENOLIC TERMINAL GUARD	1	42162	42162	42162	42162
7	BOTTOM PHENOLIC WASHER	1	20054	20054	20054	20054
8	LEATHER FLOATER	2	20010	20010	20010	20010
9	SLIP RING 3/8 IN	2	42126	42126	42126	42126
10	ACORN NUT NYLON 1/4-20	1	48041	48041	48041	48041
11	10-24 X 2 PHIL PAN M/S	4	42041	42041	42041	
	10-24 X 2 3/4 PHIL PAN M/S	4				42199
12	SCREW 8-32X5/8 PH PAN MS	2	42192	42192	42192	42192
13	SET SCREW 1/4-20 X 2	1	42311	42311	42311	42311
14	SLIP RING STUDS	2	42127	42127	42127	42127
15	HEX NUT 10-32 ZINC PLATED	2	74143	74143	74143	74143
16	#10 INTERNAL TOOTH WASHER	2	12573	12573	12573	12573
17	SET SCREW 1/4-20 X 3/8	2	74125	74125	74125	74125
18	TERMINAL ASSEMBLY	2	42305	42305	42305	42305
19	UPPER SPINNER HEAD	1	42437	42437	42437	42437
20	LOWER SPINNER HEAD 1/2	1	42281	42281	42281	42281

## Floss Machine Head Assembly



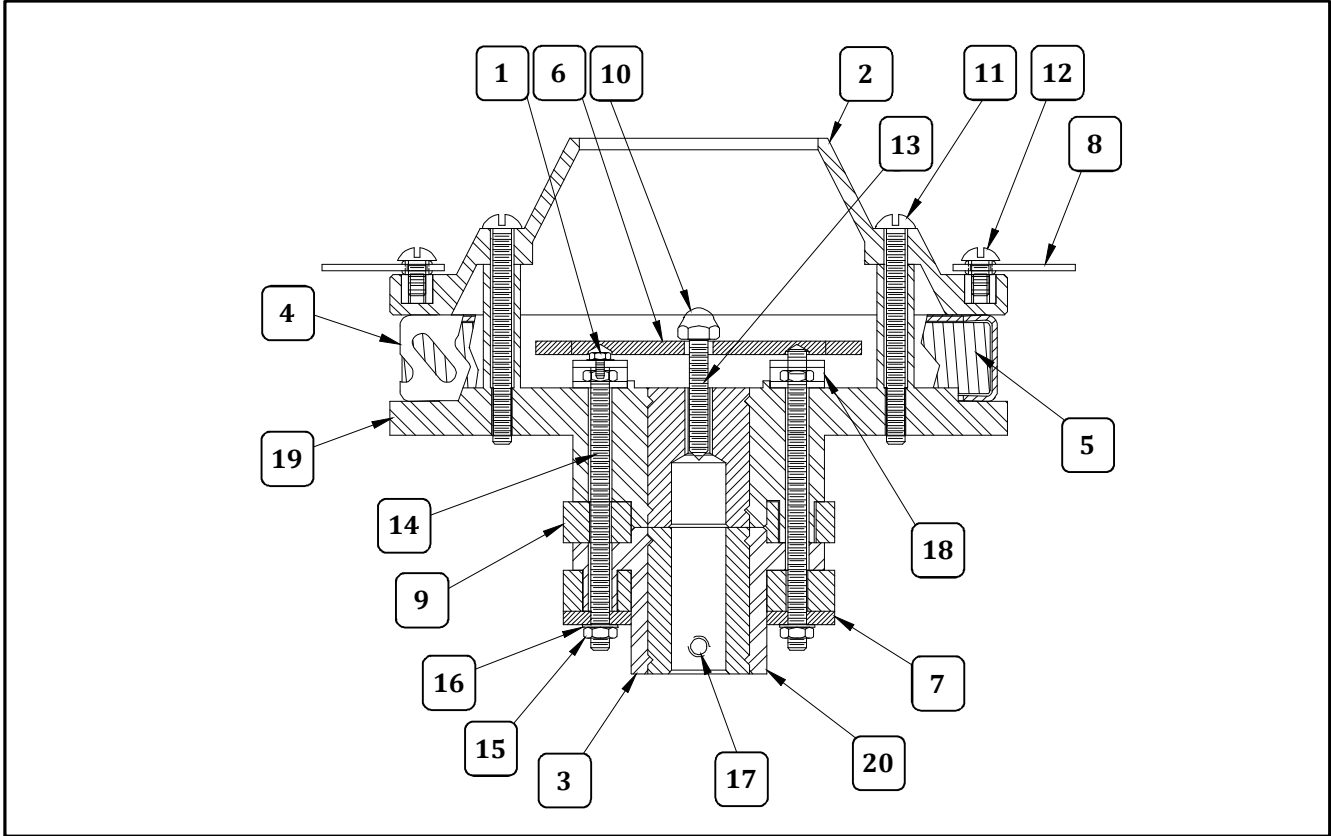
Item	Part Description	Qty.	Part Number			
			3017	3017SR	3017SS	3077 (3077C)
	SPINNER HEAD COMPLETE	1	42283	42283	42283	42561
1	8-32 x 1/4 HX HD WHIZLOCK	4	42045	42045	42045	42045
2	HIGH CAPACITY SPINNER CAP	1	43166	43166	43166	43166
3	SPINNER HEAD BOTTOM ONLY	1	42284	42284	42284	42284
4	5 1/2" FLOSS BAND	1	43165	43165	43165	
	5 1/2IN DBL FLOSS BAND	1				42517
5	5 IN RIBBON ASSY 11 OHMS	1	42251	42251	42251	
	3077/3015A RIBBON ASSY	2				42564
6	PHENOLIC TERMINAL GUARD	1	42162	42162	42162	42162
7	BOTTOM PHENOLIC WASHER	1	20054	20054	20054	20054
8	LEATHER FLOATER	2	20010	20010	20010	20010
9	SLIP RING 3/8 IN	2	42126	42126	42126	42126
10	ACORN NUT NYLON 1/4-20	1	48041	48041	48041	48041
11	10-24 X 2 PHIL PAN M/S	4	42041	42041	42041	
	10-24 X 2 3/4 PHIL PAN M/S	4				42199
12	SCREW 8-32X5/8 PH PAN MS	2	42192	42192	42192	42192
13	SET SCREW 1/4-20 X 2	1	42311	42311	42311	42311
14	SLIP RING STUDS	2	42127	42127	42127	42127
15	HEX NUT 10-32 ZINC PLATED	2	74143	74143	74143	74143
16	#10 INTERNAL TOOTH WASHER	2	12573	12573	12573	12573
17	SET SCREW 1/4-20 X 3/8	2	74125	74125	74125	74125
18	TERMINAL ASSEMBLY	2	42305	42305	42305	42305
19	UPPER SPINNER HEAD	1	42437	42437	42437	42437
20	LOWER SPINNER HEAD 1/2	1	42281	42281	42281	42281

## Floss Machine Head Assembly



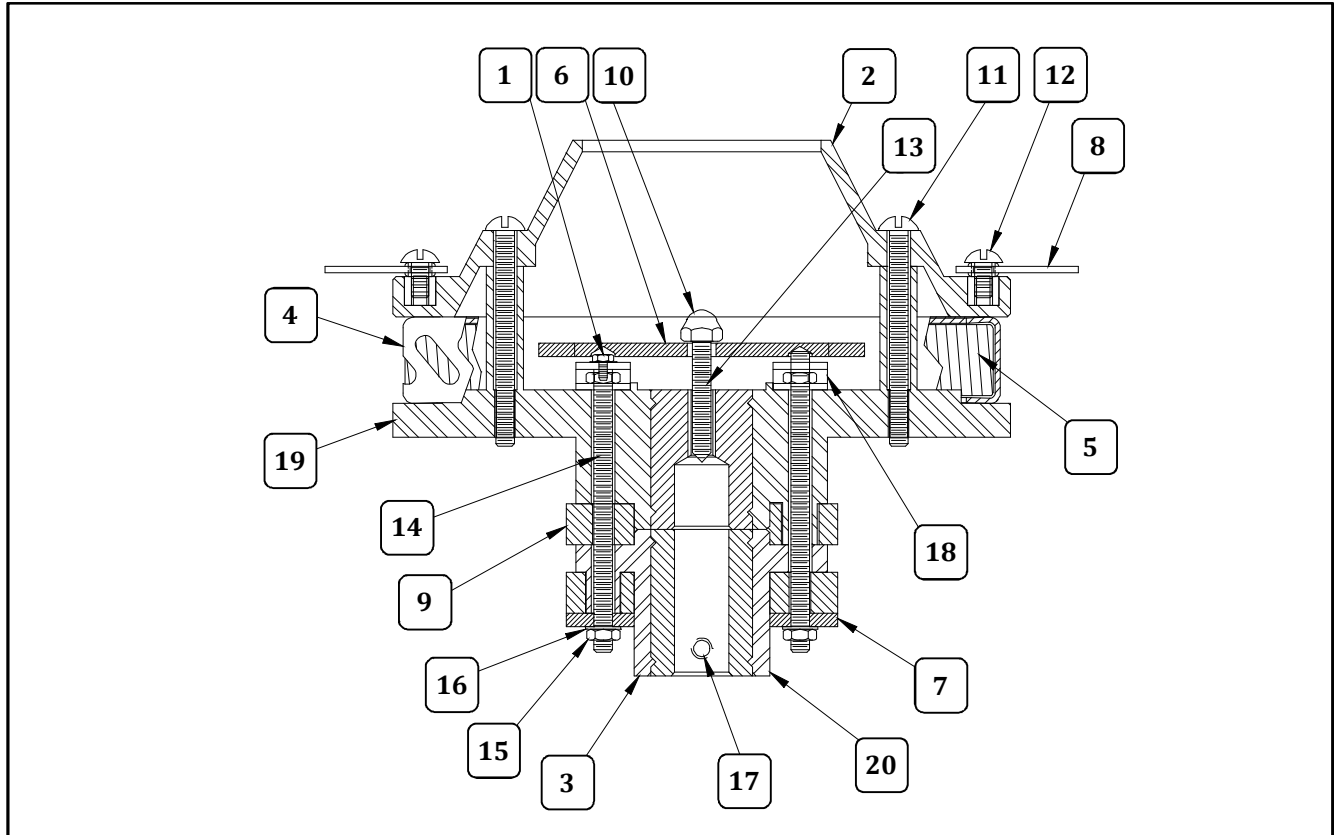
Item	Part Description	Qty.	Part Number			
			3017	3017SR	3017SS	3077 (3077C)
	SPINNER HEAD COMPLETE	1	42283	42283	42283	42561
1	8-32 x 1/4 HX HD WHIZLOCK	4	42045	42045	42045	42045
2	HIGH CAPACITY SPINNER CAP	1	43166	43166	43166	43166
3	SPINNER HEAD BOTTOM ONLY	1	42284	42284	42284	42284
4	5 1/2" FLOSS BAND	1	43165	43165	43165	
	5 1/2IN DBL FLOSS BAND	1				42517
5	5 IN RIBBON ASSY 11 OHMS	1	42251	42251	42251	
	3077/3015A RIBBON ASSY	2				42564
6	PHENOLIC TERMINAL GUARD	1	42162	42162	42162	42162
7	BOTTOM PHENOLIC WASHER	1	20054	20054	20054	20054
8	LEATHER FLOATER	2	20010	20010	20010	20010
9	SLIP RING 3/8 IN	2	42126	42126	42126	42126
10	ACORN NUT NYLON 1/4-20	1	48041	48041	48041	48041
11	10-24 X 2 PHIL PAN M/S	4	42041	42041	42041	
	10-24 X 2 3/4 PHIL PAN M/S	4				42199
12	SCREW 8-32X5/8 PH PAN MS	2	42192	42192	42192	42192
13	SET SCREW 1/4-20 X 2	1	42311	42311	42311	42311
14	SLIP RING STUDS	2	42127	42127	42127	42127
15	HEX NUT 10-32 ZINC PLATED	2	74143	74143	74143	74143
16	#10 INTERNAL TOOTH WASHER	2	12573	12573	12573	12573
17	SET SCREW 1/4-20 X 3/8	2	74125	74125	74125	74125
18	TERMINAL ASSEMBLY	2	42305	42305	42305	42305
19	UPPER SPINNER HEAD	1	42437	42437	42437	42437
20	LOWER SPINNER HEAD 1/2	1	42281	42281	42281	42281

## Floss Machine Head Assembly



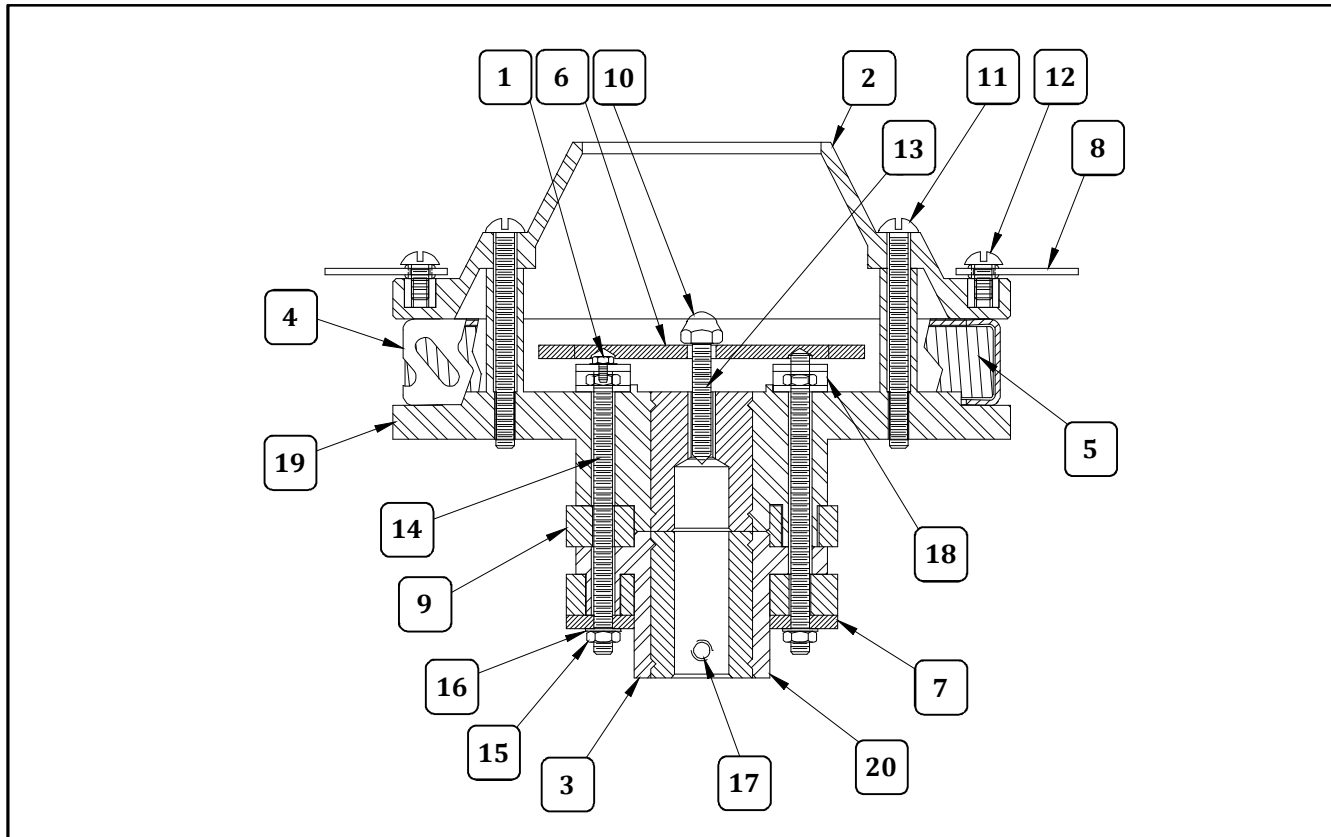
Item	Part Description	Qty.	Part Number			
			3017	3017SR	3017SS	3077 (3077C)
	SPINNER HEAD COMPLETE	1	42283	42283	42283	42561
1	8-32 x 1/4 HX HD WHIZLOCK	4	42045	42045	42045	42045
2	HIGH CAPACITY SPINNER CAP	1	43166	43166	43166	43166
3	SPINNER HEAD BOTTOM ONLY	1	42284	42284	42284	42284
4	5 1/2" FLOSS BAND	1	43165	43165	43165	
	5 1/2IN DBL FLOSS BAND	1				42517
5	5 IN RIBBON ASSY 11 OHMS	1	42251	42251	42251	
	3077/3015A RIBBON ASSY	2				42564
6	PHENOLIC TERMINAL GUARD	1	42162	42162	42162	42162
7	BOTTOM PHENOLIC WASHER	1	20054	20054	20054	20054
8	LEATHER FLOATER	2	20010	20010	20010	20010
9	SLIP RING 3/8 IN	2	42126	42126	42126	42126
10	ACORN NUT NYLON 1/4-20	1	48041	48041	48041	48041
11	10-24 X 2 PHIL PAN M/S	4	42041	42041	42041	
	10-24 X 2 3/4 PHIL PAN M/S	4				42199
12	SCREW 8-32X5/8 PH PAN MS	2	42192	42192	42192	42192
13	SET SCREW 1/4-20 X 2	1	42311	42311	42311	42311
14	SLIP RING STUDS	2	42127	42127	42127	42127
15	HEX NUT 10-32 ZINC PLATED	2	74143	74143	74143	74143
16	#10 INTERNAL TOOTH WASHER	2	12573	12573	12573	12573
17	SET SCREW 1/4-20 X 3/8	2	74125	74125	74125	74125
18	TERMINAL ASSEMBLY	2	42305	42305	42305	42305
19	UPPER SPINNER HEAD	1	42437	42437	42437	42437
20	LOWER SPINNER HEAD 1/2	1	42281	42281	42281	42281

## Floss Machine Head Assembly



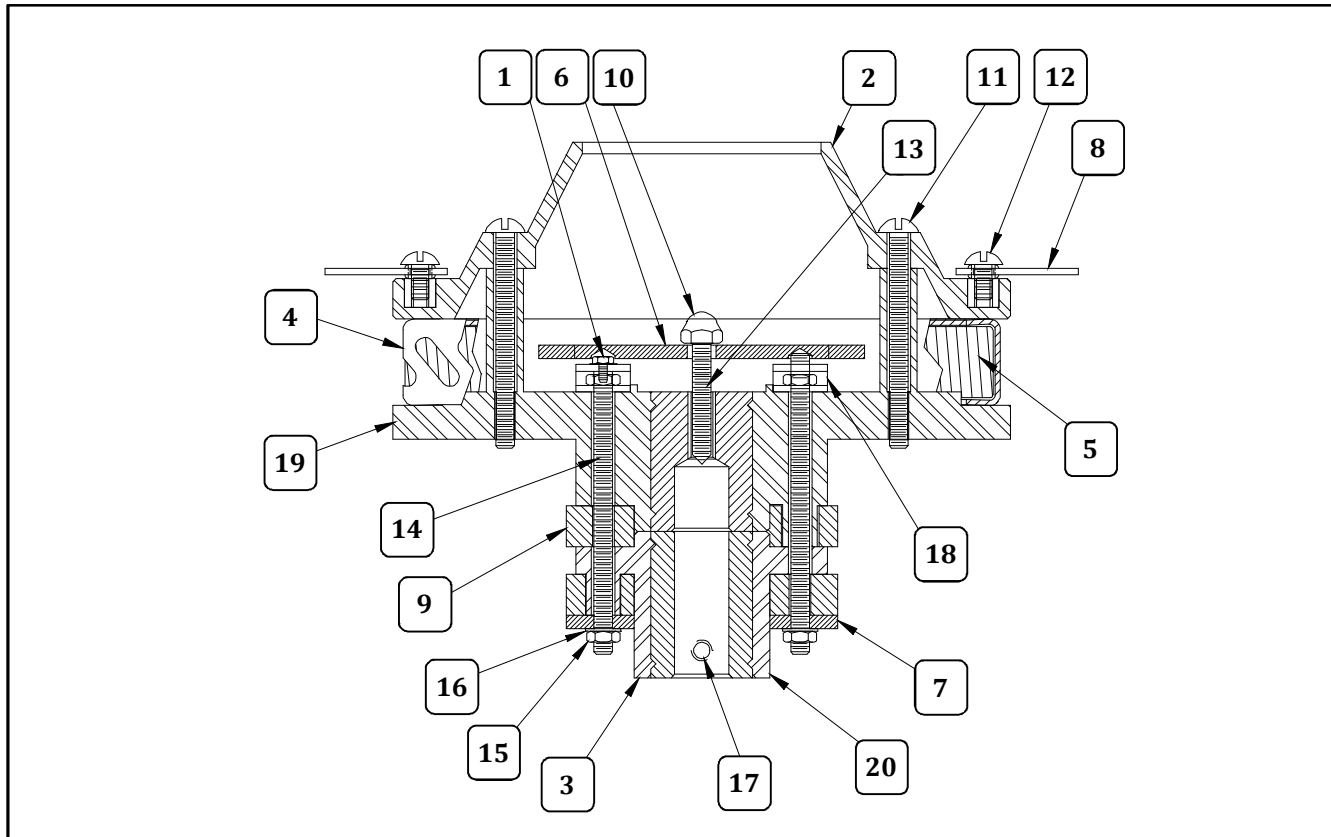
Item	Part Description	Qty.	Part Number			
			3017	3017SR	3017SS	3077 (3077C)
	SPINNER HEAD COMPLETE	1	42283	42283	42283	42561
1	8-32 x 1/4 HX HD WHIZLOCK	4	42045	42045	42045	42045
2	HIGH CAPACITY SPINNER CAP	1	43166	43166	43166	43166
3	SPINNER HEAD BOTTOM ONLY	1	42284	42284	42284	42284
4	5 1/2" FLOSS BAND	1	43165	43165	43165	
	5 1/2IN DBL FLOSS BAND	1				42517
5	5 IN RIBBON ASSY 11 OHMS	1	42251	42251	42251	
	3077/3015A RIBBON ASSY	2				42564
6	PHENOLIC TERMINAL GUARD	1	42162	42162	42162	42162
7	BOTTOM PHENOLIC WASHER	1	20054	20054	20054	20054
8	LEATHER FLOATER	2	20010	20010	20010	20010
9	SLIP RING 3/8 IN	2	42126	42126	42126	42126
10	ACORN NUT NYLON 1/4-20	1	48041	48041	48041	48041
11	10-24 X 2 PHIL PAN M/S	4	42041	42041	42041	
	10-24 X 2 3/4 PHIL PAN M/S	4				42199
12	SCREW 8-32X5/8 PH PAN MS	2	42192	42192	42192	42192
13	SET SCREW 1/4-20 X 2	1	42311	42311	42311	42311
14	SLIP RING STUDS	2	42127	42127	42127	42127
15	HEX NUT 10-32 ZINC PLATED	2	74143	74143	74143	74143
16	#10 INTERNAL TOOTH WASHER	2	12573	12573	12573	12573
17	SET SCREW 1/4-20 X 3/8	2	74125	74125	74125	74125
18	TERMINAL ASSEMBLY	2	42305	42305	42305	42305
19	UPPER SPINNER HEAD	1	42437	42437	42437	42437
20	LOWER SPINNER HEAD 1/2	1	42281	42281	42281	42281

## Floss Machine Head Assembly



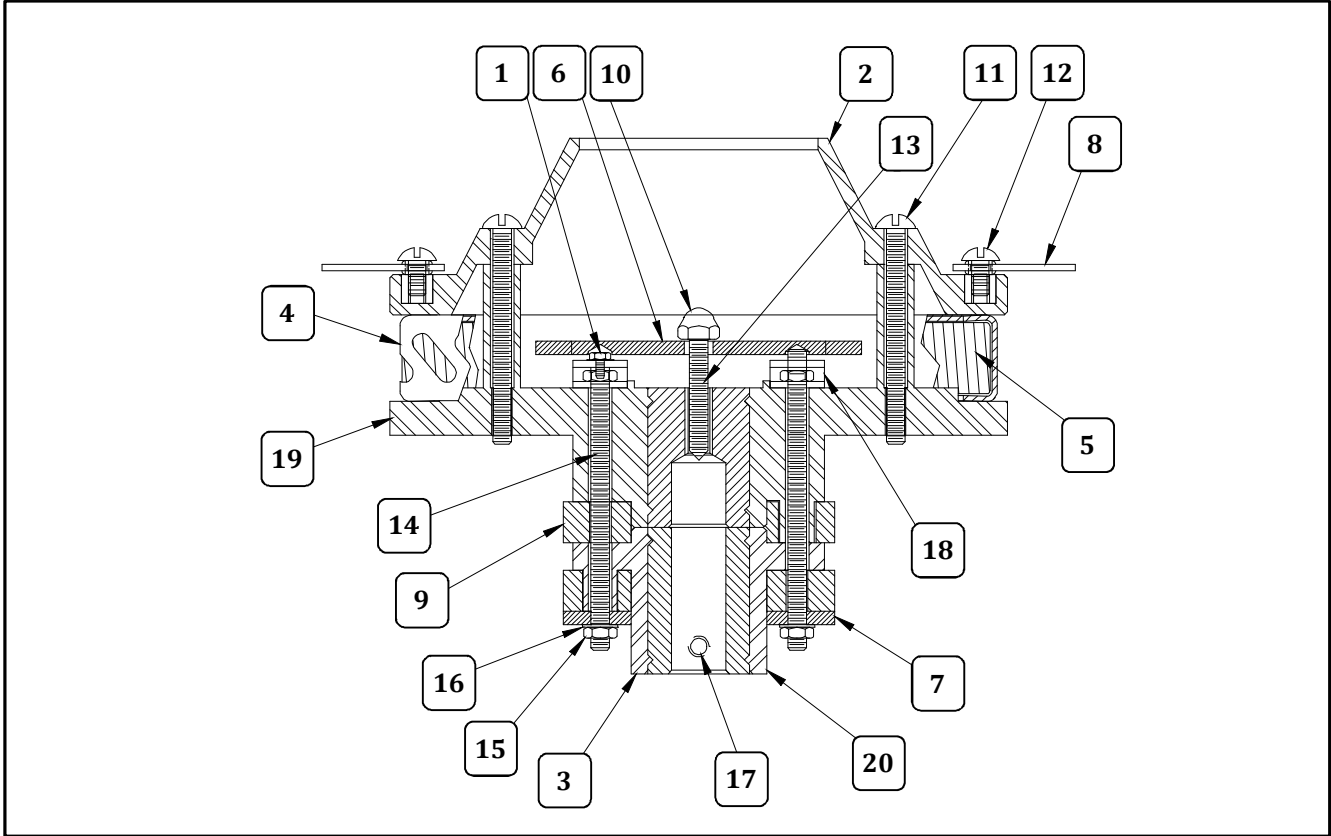
Item	Part Description	Qty.	Part Number			
			3017	3017SR	3017SS	3077 (3077C)
	SPINNER HEAD COMPLETE	1	42283	42283	42283	42561
1	8-32 x 1/4 HX HD WHIZLOCK	4	42045	42045	42045	42045
2	HIGH CAPACITY SPINNER CAP	1	43166	43166	43166	43166
3	SPINNER HEAD BOTTOM ONLY	1	42284	42284	42284	42284
4	5 1/2" FLOSS BAND	1	43165	43165	43165	
	5 1/2IN DBL FLOSS BAND	1				42517
5	5 IN RIBBON ASSY 11 OHMS	1	42251	42251	42251	
	3077/3015A RIBBON ASSY	2				42564
6	PHENOLIC TERMINAL GUARD	1	42162	42162	42162	42162
7	BOTTOM PHENOLIC WASHER	1	20054	20054	20054	20054
8	LEATHER FLOATER	2	20010	20010	20010	20010
9	SLIP RING 3/8 IN	2	42126	42126	42126	42126
10	ACORN NUT NYLON 1/4-20	1	48041	48041	48041	48041
11	10-24 X 2 PHIL PAN M/S	4	42041	42041	42041	
	10-24 X 2 3/4 PHIL PAN M/S	4				42199
12	SCREW 8-32X5/8 PH PAN MS	2	42192	42192	42192	42192
13	SET SCREW 1/4-20 X 2	1	42311	42311	42311	42311
14	SLIP RING STUDS	2	42127	42127	42127	42127
15	HEX NUT 10-32 ZINC PLATED	2	74143	74143	74143	74143
16	#10 INTERNAL TOOTH WASHER	2	12573	12573	12573	12573
17	SET SCREW 1/4-20 X 3/8	2	74125	74125	74125	74125
18	TERMINAL ASSEMBLY	2	42305	42305	42305	42305
19	UPPER SPINNER HEAD	1	42437	42437	42437	42437
20	LOWER SPINNER HEAD 1/2	1	42281	42281	42281	42281

## Floss Machine Head Assembly



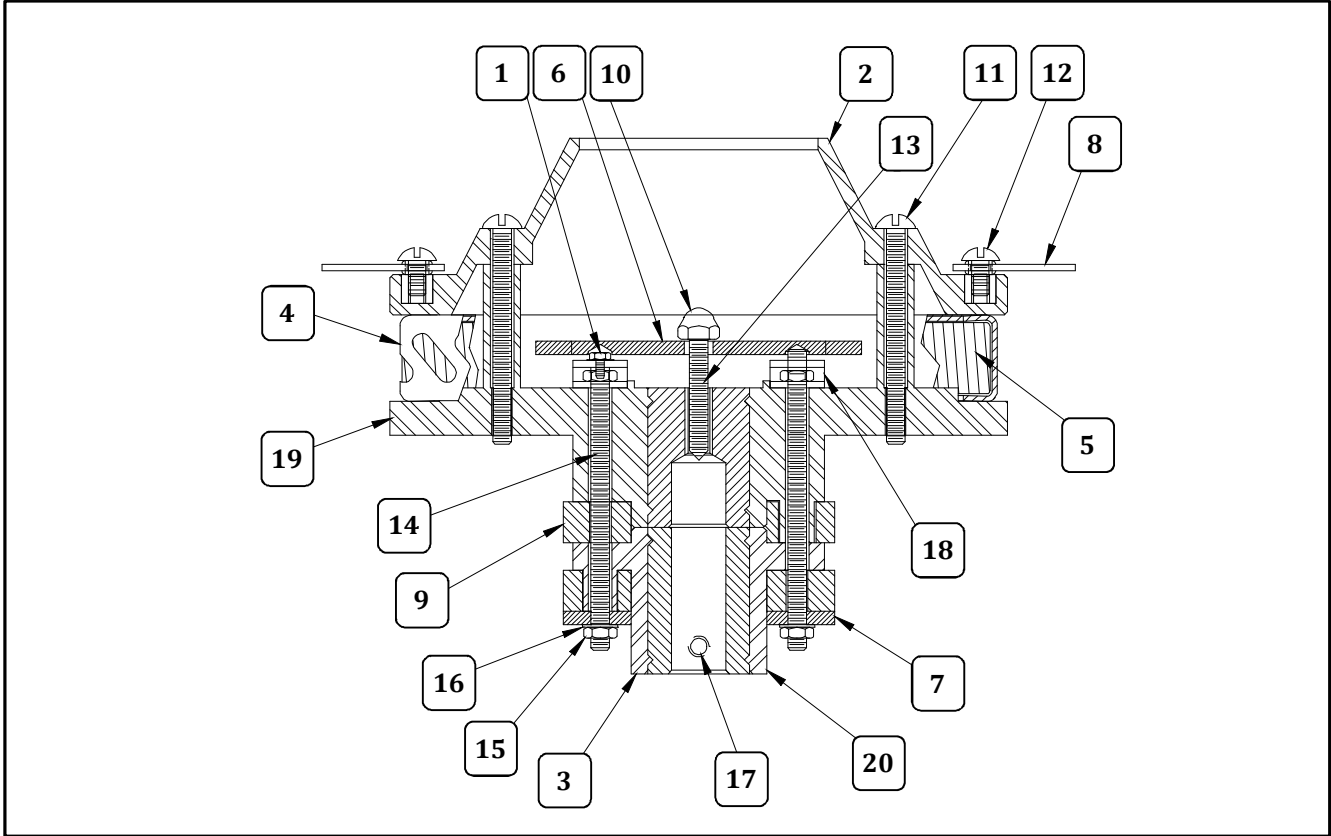
Item	Part Description	Qty.	Part Number			
			3017	3017SR	3017SS	3077 (3077C)
	SPINNER HEAD COMPLETE	1	42283	42283	42283	42561
1	8-32 x 1/4 HX HD WHIZLOCK	4	42045	42045	42045	42045
2	HIGH CAPACITY SPINNER CAP	1	43166	43166	43166	43166
3	SPINNER HEAD BOTTOM ONLY	1	42284	42284	42284	42284
4	5 1/2" FLOSS BAND	1	43165	43165	43165	
	5 1/2IN DBL FLOSS BAND	1				42517
5	5 IN RIBBON ASSY 11 OHMS	1	42251	42251	42251	
	3077/3015A RIBBON ASSY	2				42564
6	PHENOLIC TERMINAL GUARD	1	42162	42162	42162	42162
7	BOTTOM PHENOLIC WASHER	1	20054	20054	20054	20054
8	LEATHER FLOATER	2	20010	20010	20010	20010
9	SLIP RING 3/8 IN	2	42126	42126	42126	42126
10	ACORN NUT NYLON 1/4-20	1	48041	48041	48041	48041
11	10-24 X 2 PHIL PAN M/S	4	42041	42041	42041	
	10-24 X 2 3/4 PHIL PAN M/S	4				42199
12	SCREW 8-32X5/8 PH PAN MS	2	42192	42192	42192	42192
13	SET SCREW 1/4-20 X 2	1	42311	42311	42311	42311
14	SLIP RING STUDS	2	42127	42127	42127	42127
15	HEX NUT 10-32 ZINC PLATED	2	74143	74143	74143	74143
16	#10 INTERNAL TOOTH WASHER	2	12573	12573	12573	12573
17	SET SCREW 1/4-20 X 3/8	2	74125	74125	74125	74125
18	TERMINAL ASSEMBLY	2	42305	42305	42305	42305
19	UPPER SPINNER HEAD	1	42437	42437	42437	42437
20	LOWER SPINNER HEAD 1/2	1	42281	42281	42281	42281

## Floss Machine Head Assembly



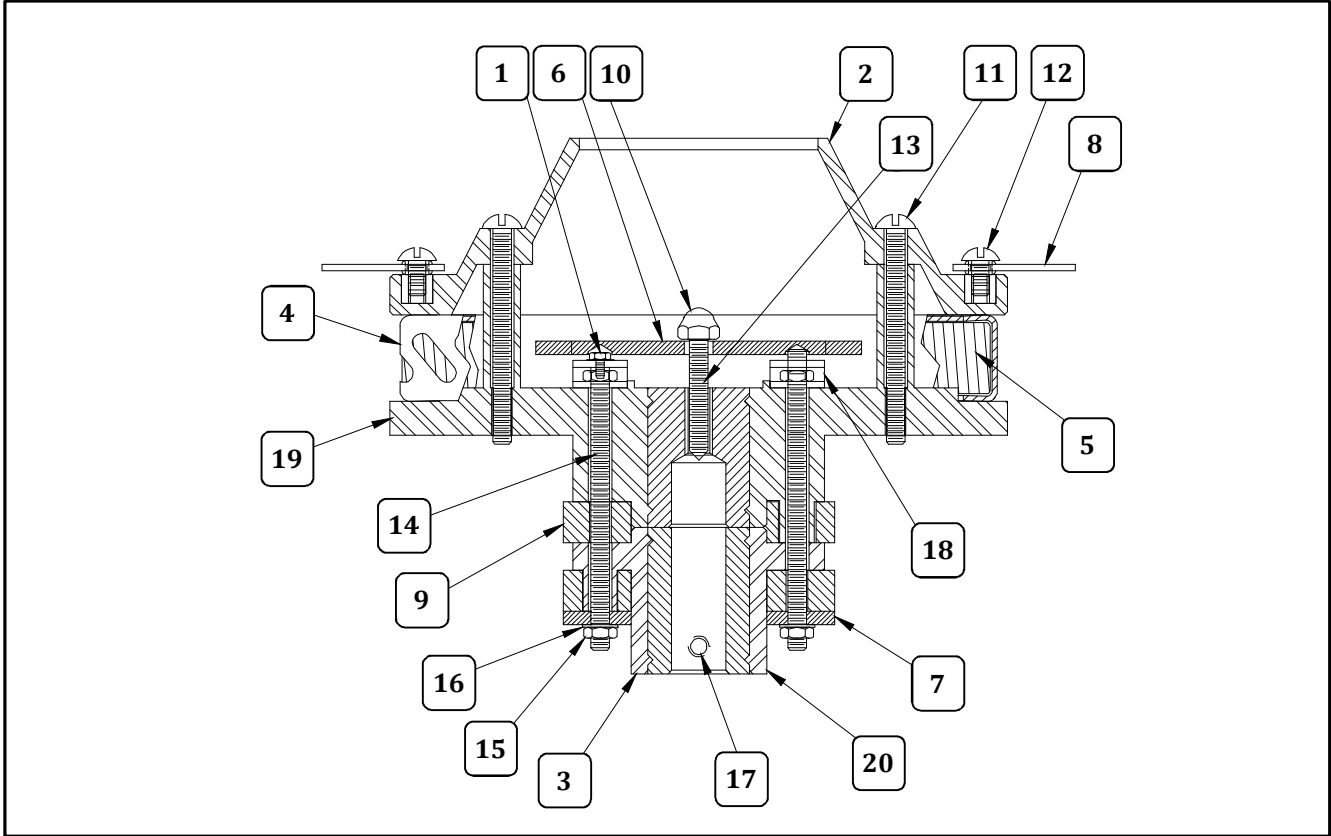
Item	Part Description	Qty.	Part Number			
			3017	3017SR	3017SS	3077 (3077C)
	SPINNER HEAD COMPLETE	1	42283	42283	42283	42561
1	8-32 x 1/4 HX HD WHIZLOCK	4	42045	42045	42045	42045
2	HIGH CAPACITY SPINNER CAP	1	43166	43166	43166	43166
3	SPINNER HEAD BOTTOM ONLY	1	42284	42284	42284	42284
4	5 1/2" FLOSS BAND	1	43165	43165	43165	
	5 1/2IN DBL FLOSS BAND	1				42517
5	5 IN RIBBON ASSY 11 OHMS	1	42251	42251	42251	
	3077/3015A RIBBON ASSY	2				42564
6	PHENOLIC TERMINAL GUARD	1	42162	42162	42162	42162
7	BOTTOM PHENOLIC WASHER	1	20054	20054	20054	20054
8	LEATHER FLOATER	2	20010	20010	20010	20010
9	SLIP RING 3/8 IN	2	42126	42126	42126	42126
10	ACORN NUT NYLON 1/4-20	1	48041	48041	48041	48041
11	10-24 X 2 PHIL PAN M/S	4	42041	42041	42041	
	10-24 X 2 3/4 PHIL PAN M/S	4				42199
12	SCREW 8-32X5/8 PH PAN MS	2	42192	42192	42192	42192
13	SET SCREW 1/4-20 X 2	1	42311	42311	42311	42311
14	SLIP RING STUDS	2	42127	42127	42127	42127
15	HEX NUT 10-32 ZINC PLATED	2	74143	74143	74143	74143
16	#10 INTERNAL TOOTH WASHER	2	12573	12573	12573	12573
17	SET SCREW 1/4-20 X 3/8	2	74125	74125	74125	74125
18	TERMINAL ASSEMBLY	2	42305	42305	42305	42305
19	UPPER SPINNER HEAD	1	42437	42437	42437	42437
20	LOWER SPINNER HEAD 1/2	1	42281	42281	42281	42281

## Floss Machine Head Assembly



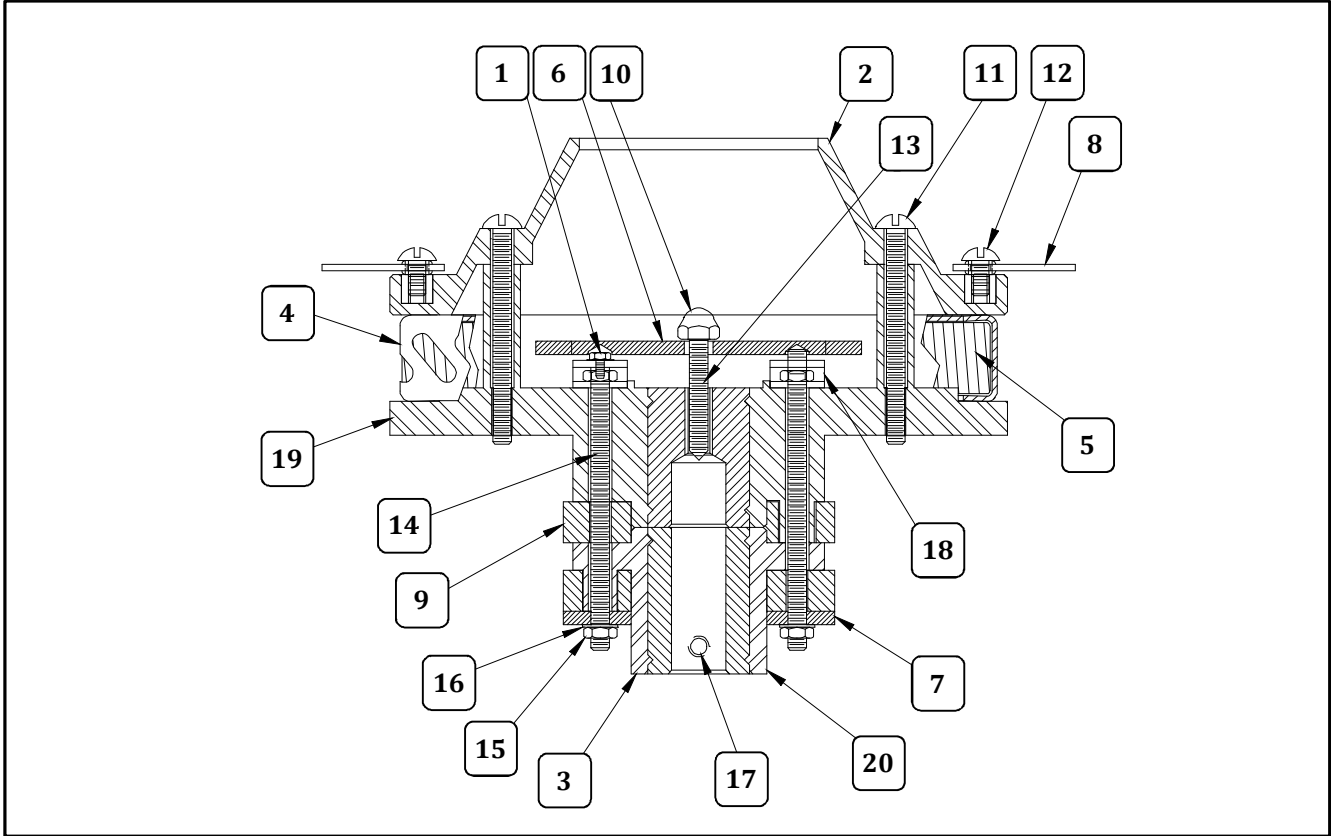
Item	Part Description	Qty.	Part Number			
			3017	3017SR	3017SS	3077 (3077C)
	SPINNER HEAD COMPLETE	1	42283	42283	42283	42561
1	8-32 x 1/4 HX HD WHIZLOCK	4	42045	42045	42045	42045
2	HIGH CAPACITY SPINNER CAP	1	43166	43166	43166	43166
3	SPINNER HEAD BOTTOM ONLY	1	42284	42284	42284	42284
4	5 1/2" FLOSS BAND	1	43165	43165	43165	
	5 1/2IN DBL FLOSS BAND	1				42517
5	5 IN RIBBON ASSY 11 OHMS	1	42251	42251	42251	
	3077/3015A RIBBON ASSY	2				42564
6	PHENOLIC TERMINAL GUARD	1	42162	42162	42162	42162
7	BOTTOM PHENOLIC WASHER	1	20054	20054	20054	20054
8	LEATHER FLOATER	2	20010	20010	20010	20010
9	SLIP RING 3/8 IN	2	42126	42126	42126	42126
10	ACORN NUT NYLON 1/4-20	1	48041	48041	48041	48041
11	10-24 X 2 PHIL PAN M/S	4	42041	42041	42041	
	10-24 X 2 3/4 PHIL PAN M/S	4				42199
12	SCREW 8-32X5/8 PH PAN MS	2	42192	42192	42192	42192
13	SET SCREW 1/4-20 X 2	1	42311	42311	42311	42311
14	SLIP RING STUDS	2	42127	42127	42127	42127
15	HEX NUT 10-32 ZINC PLATED	2	74143	74143	74143	74143
16	#10 INTERNAL TOOTH WASHER	2	12573	12573	12573	12573
17	SET SCREW 1/4-20 X 3/8	2	74125	74125	74125	74125
18	TERMINAL ASSEMBLY	2	42305	42305	42305	42305
19	UPPER SPINNER HEAD	1	42437	42437	42437	42437
20	LOWER SPINNER HEAD 1/2	1	42281	42281	42281	42281

## Floss Machine Head Assembly



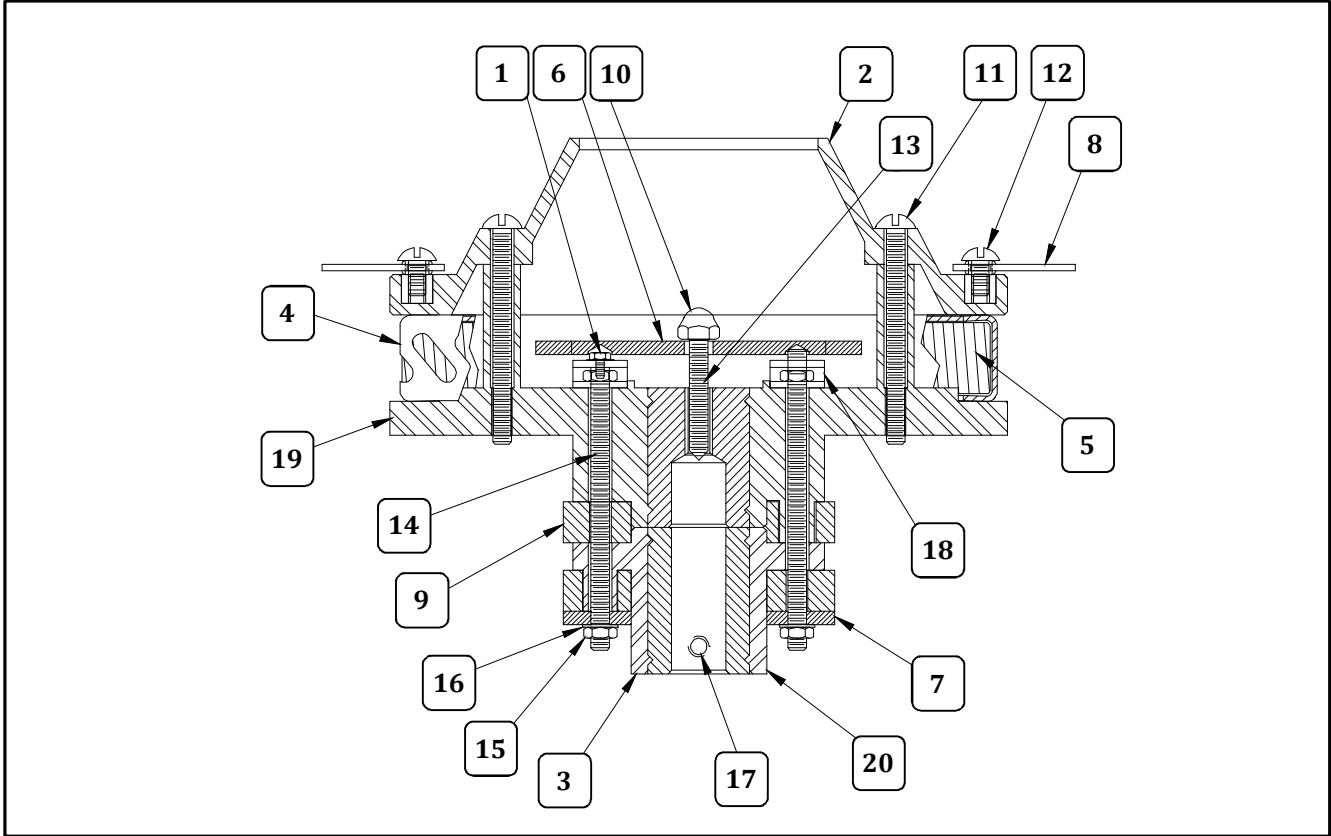
Item	Part Description	Qty.	Part Number			
			3017	3017SR	3017SS	3077 (3077C)
	SPINNER HEAD COMPLETE	1	42283	42283	42283	42561
1	8-32 x 1/4 HX HD WHIZLOCK	4	42045	42045	42045	42045
2	HIGH CAPACITY SPINNER CAP	1	43166	43166	43166	43166
3	SPINNER HEAD BOTTOM ONLY	1	42284	42284	42284	42284
4	5 1/2" FLOSS BAND	1	43165	43165	43165	
	5 1/2IN DBL FLOSS BAND	1				42517
5	5 IN RIBBON ASSY 11 OHMS	1	42251	42251	42251	
	3077/3015A RIBBON ASSY	2				42564
6	PHENOLIC TERMINAL GUARD	1	42162	42162	42162	42162
7	BOTTOM PHENOLIC WASHER	1	20054	20054	20054	20054
8	LEATHER FLOATER	2	20010	20010	20010	20010
9	SLIP RING 3/8 IN	2	42126	42126	42126	42126
10	ACORN NUT NYLON 1/4-20	1	48041	48041	48041	48041
11	10-24 X 2 PHIL PAN M/S	4	42041	42041	42041	
	10-24 X 2 3/4 PHIL PAN M/S	4				42199
12	SCREW 8-32X5/8 PH PAN MS	2	42192	42192	42192	42192
13	SET SCREW 1/4-20 X 2	1	42311	42311	42311	42311
14	SLIP RING STUDS	2	42127	42127	42127	42127
15	HEX NUT 10-32 ZINC PLATED	2	74143	74143	74143	74143
16	#10 INTERNAL TOOTH WASHER	2	12573	12573	12573	12573
17	SET SCREW 1/4-20 X 3/8	2	74125	74125	74125	74125
18	TERMINAL ASSEMBLY	2	42305	42305	42305	42305
19	UPPER SPINNER HEAD	1	42437	42437	42437	42437
20	LOWER SPINNER HEAD 1/2	1	42281	42281	42281	42281

## Floss Machine Head Assembly



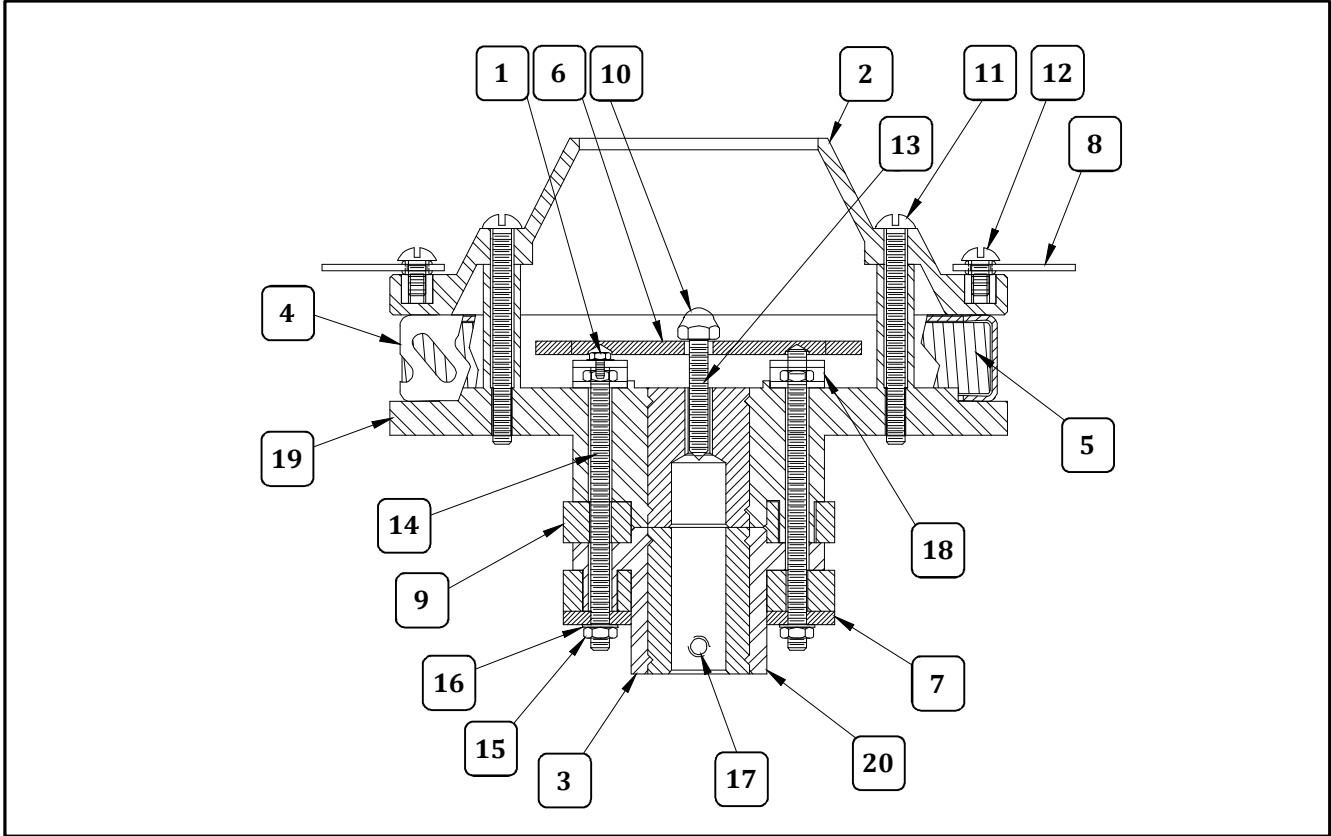
Item	Part Description	Qty.	Part Number			
			3017	3017SR	3017SS	3077 (3077C)
	SPINNER HEAD COMPLETE	1	42283	42283	42283	42561
1	8-32 x 1/4 HX HD WHIZLOCK	4	42045	42045	42045	42045
2	HIGH CAPACITY SPINNER CAP	1	43166	43166	43166	43166
3	SPINNER HEAD BOTTOM ONLY	1	42284	42284	42284	42284
4	5 1/2" FLOSS BAND	1	43165	43165	43165	
	5 1/2IN DBL FLOSS BAND	1				42517
5	5 IN RIBBON ASSY 11 OHMS	1	42251	42251	42251	
	3077/3015A RIBBON ASSY	2				42564
6	PHENOLIC TERMINAL GUARD	1	42162	42162	42162	42162
7	BOTTOM PHENOLIC WASHER	1	20054	20054	20054	20054
8	LEATHER FLOATER	2	20010	20010	20010	20010
9	SLIP RING 3/8 IN	2	42126	42126	42126	42126
10	ACORN NUT NYLON 1/4-20	1	48041	48041	48041	48041
11	10-24 X 2 PHIL PAN M/S	4	42041	42041	42041	
	10-24 X 2 3/4 PHIL PAN M/S	4				42199
12	SCREW 8-32X5/8 PH PAN MS	2	42192	42192	42192	42192
13	SET SCREW 1/4-20 X 2	1	42311	42311	42311	42311
14	SLIP RING STUDS	2	42127	42127	42127	42127
15	HEX NUT 10-32 ZINC PLATED	2	74143	74143	74143	74143
16	#10 INTERNAL TOOTH WASHER	2	12573	12573	12573	12573
17	SET SCREW 1/4-20 X 3/8	2	74125	74125	74125	74125
18	TERMINAL ASSEMBLY	2	42305	42305	42305	42305
19	UPPER SPINNER HEAD	1	42437	42437	42437	42437
20	LOWER SPINNER HEAD 1/2	1	42281	42281	42281	42281

## Floss Machine Head Assembly



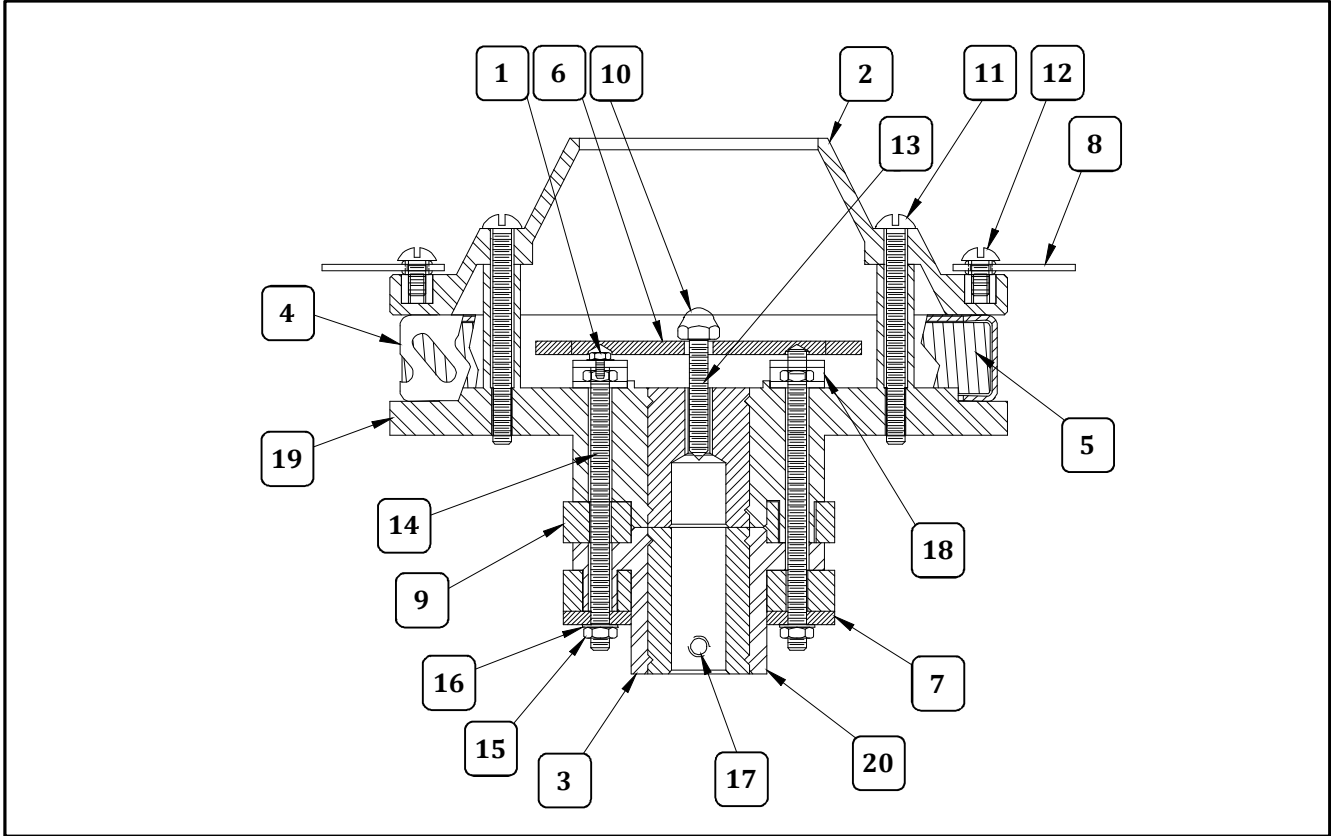
Item	Part Description	Qty.	Part Number			
			3017	3017SR	3017SS	3077 (3077C)
	SPINNER HEAD COMPLETE	1	42283	42283	42283	42561
1	8-32 x 1/4 HX HD WHIZLOCK	4	42045	42045	42045	42045
2	HIGH CAPACITY SPINNER CAP	1	43166	43166	43166	43166
3	SPINNER HEAD BOTTOM ONLY	1	42284	42284	42284	42284
4	5 1/2" FLOSS BAND	1	43165	43165	43165	
	5 1/2IN DBL FLOSS BAND	1				42517
5	5 IN RIBBON ASSY 11 OHMS	1	42251	42251	42251	
	3077/3015A RIBBON ASSY	2				42564
6	PHENOLIC TERMINAL GUARD	1	42162	42162	42162	42162
7	BOTTOM PHENOLIC WASHER	1	20054	20054	20054	20054
8	LEATHER FLOATER	2	20010	20010	20010	20010
9	SLIP RING 3/8 IN	2	42126	42126	42126	42126
10	ACORN NUT NYLON 1/4-20	1	48041	48041	48041	48041
11	10-24 X 2 PHIL PAN M/S	4	42041	42041	42041	
	10-24 X 2 3/4 PHIL PAN M/S	4				42199
12	SCREW 8-32X5/8 PH PAN MS	2	42192	42192	42192	42192
13	SET SCREW 1/4-20 X 2	1	42311	42311	42311	42311
14	SLIP RING STUDS	2	42127	42127	42127	42127
15	HEX NUT 10-32 ZINC PLATED	2	74143	74143	74143	74143
16	#10 INTERNAL TOOTH WASHER	2	12573	12573	12573	12573
17	SET SCREW 1/4-20 X 3/8	2	74125	74125	74125	74125
18	TERMINAL ASSEMBLY	2	42305	42305	42305	42305
19	UPPER SPINNER HEAD	1	42437	42437	42437	42437
20	LOWER SPINNER HEAD 1/2	1	42281	42281	42281	42281

## Floss Machine Head Assembly



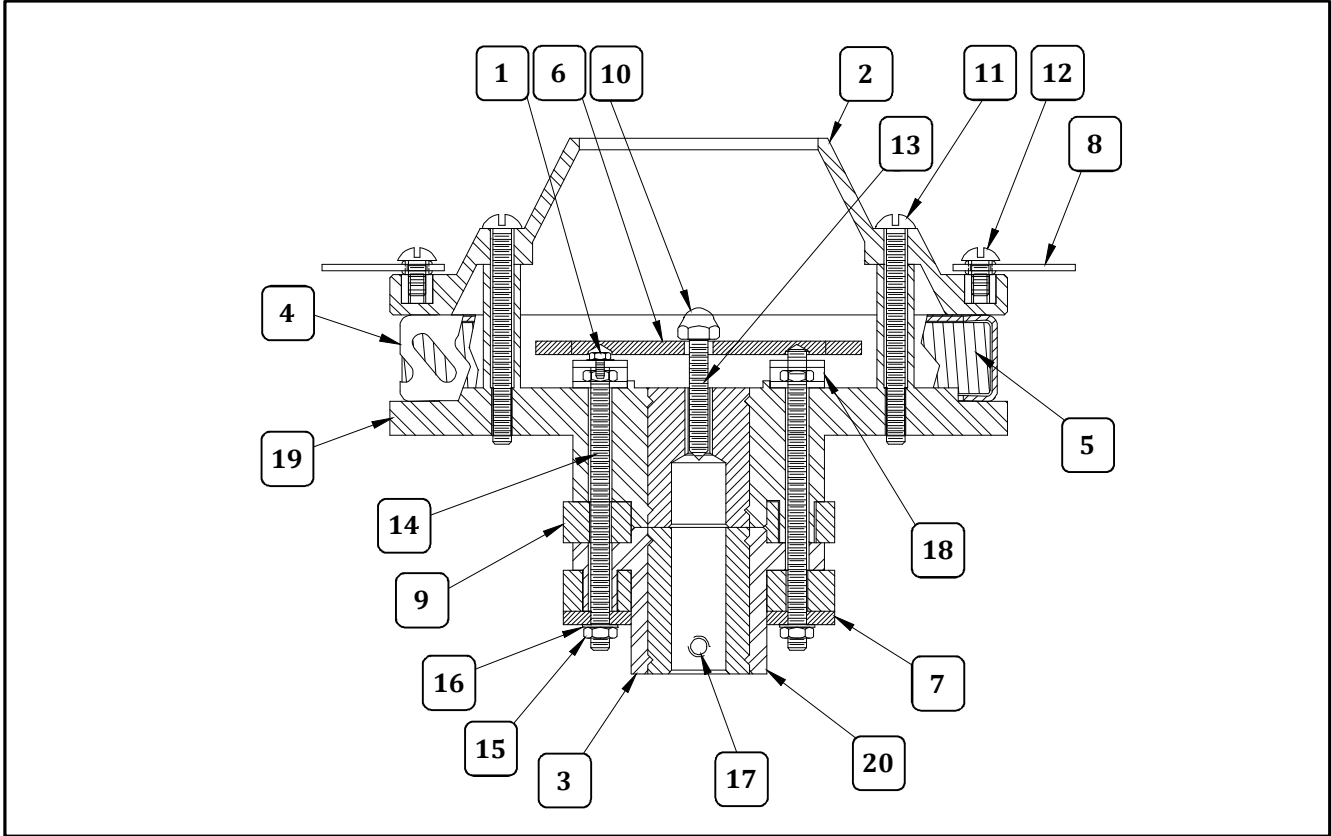
Item	Part Description	Qty.	Part Number			
			3017	3017SR	3017SS	3077 (3077C)
	SPINNER HEAD COMPLETE	1	42283	42283	42283	42561
1	8-32 x 1/4 HX HD WHIZLOCK	4	42045	42045	42045	42045
2	HIGH CAPACITY SPINNER CAP	1	43166	43166	43166	43166
3	SPINNER HEAD BOTTOM ONLY	1	42284	42284	42284	42284
4	5 1/2" FLOSS BAND	1	43165	43165	43165	
	5 1/2IN DBL FLOSS BAND	1				42517
5	5 IN RIBBON ASSY 11 OHMS	1	42251	42251	42251	
	3077/3015A RIBBON ASSY	2				42564
6	PHENOLIC TERMINAL GUARD	1	42162	42162	42162	42162
7	BOTTOM PHENOLIC WASHER	1	20054	20054	20054	20054
8	LEATHER FLOATER	2	20010	20010	20010	20010
9	SLIP RING 3/8 IN	2	42126	42126	42126	42126
10	ACORN NUT NYLON 1/4-20	1	48041	48041	48041	48041
11	10-24 X 2 PHIL PAN M/S	4	42041	42041	42041	
	10-24 X 2 3/4 PHIL PAN M/S	4				42199
12	SCREW 8-32X5/8 PH PAN MS	2	42192	42192	42192	42192
13	SET SCREW 1/4-20 X 2	1	42311	42311	42311	42311
14	SLIP RING STUDS	2	42127	42127	42127	42127
15	HEX NUT 10-32 ZINC PLATED	2	74143	74143	74143	74143
16	#10 INTERNAL TOOTH WASHER	2	12573	12573	12573	12573
17	SET SCREW 1/4-20 X 3/8	2	74125	74125	74125	74125
18	TERMINAL ASSEMBLY	2	42305	42305	42305	42305
19	UPPER SPINNER HEAD	1	42437	42437	42437	42437
20	LOWER SPINNER HEAD 1/2	1	42281	42281	42281	42281

## Floss Machine Head Assembly



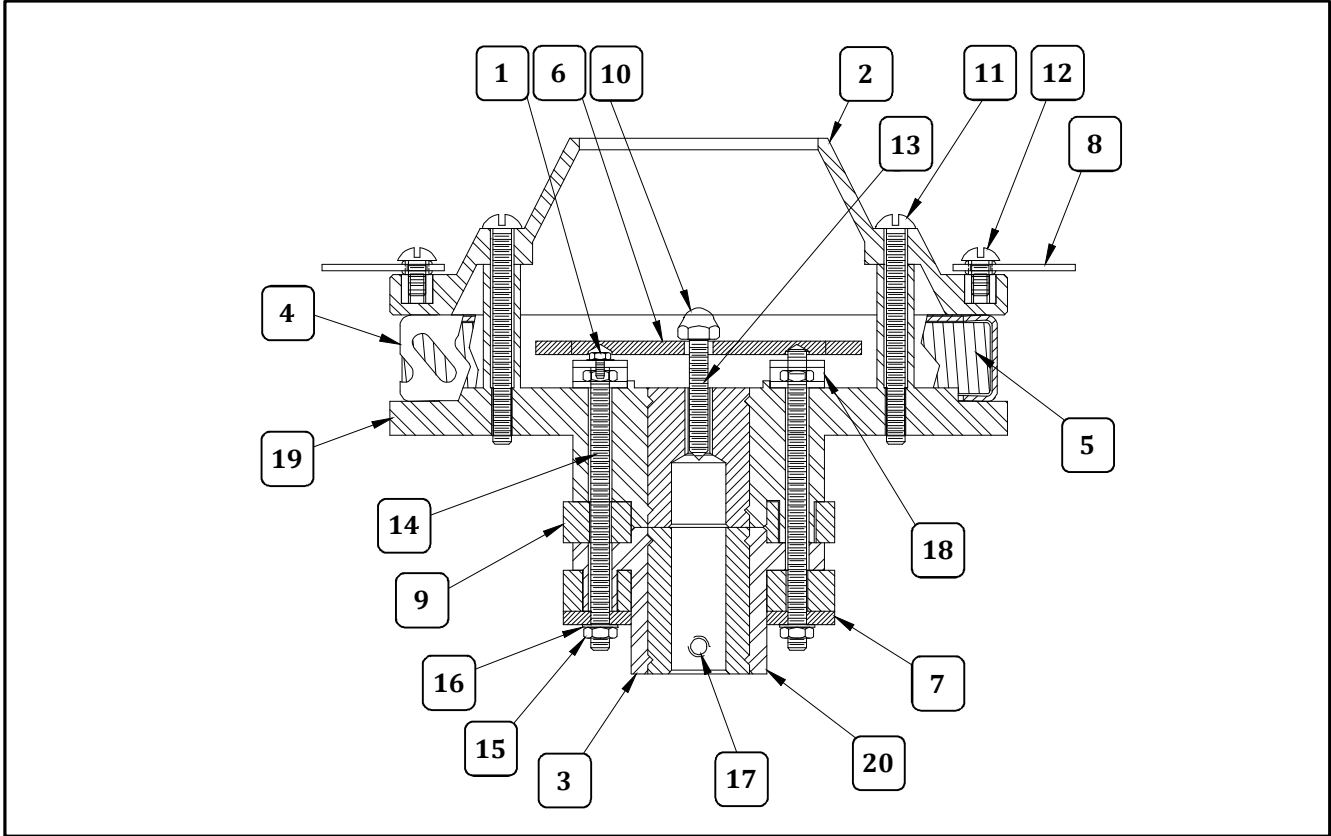
Item	Part Description	Qty.	Part Number			
			3017	3017SR	3017SS	3077 (3077C)
	SPINNER HEAD COMPLETE	1	42283	42283	42283	42561
1	8-32 x 1/4 HX HD WHIZLOCK	4	42045	42045	42045	42045
2	HIGH CAPACITY SPINNER CAP	1	43166	43166	43166	43166
3	SPINNER HEAD BOTTOM ONLY	1	42284	42284	42284	42284
4	5 1/2" FLOSS BAND	1	43165	43165	43165	
	5 1/2IN DBL FLOSS BAND	1				42517
5	5 IN RIBBON ASSY 11 OHMS	1	42251	42251	42251	
	3077/3015A RIBBON ASSY	2				42564
6	PHENOLIC TERMINAL GUARD	1	42162	42162	42162	42162
7	BOTTOM PHENOLIC WASHER	1	20054	20054	20054	20054
8	LEATHER FLOATER	2	20010	20010	20010	20010
9	SLIP RING 3/8 IN	2	42126	42126	42126	42126
10	ACORN NUT NYLON 1/4-20	1	48041	48041	48041	48041
11	10-24 X 2 PHIL PAN M/S	4	42041	42041	42041	
	10-24 X 2 3/4 PHIL PAN M/S	4				42199
12	SCREW 8-32X5/8 PH PAN MS	2	42192	42192	42192	42192
13	SET SCREW 1/4-20 X 2	1	42311	42311	42311	42311
14	SLIP RING STUDS	2	42127	42127	42127	42127
15	HEX NUT 10-32 ZINC PLATED	2	74143	74143	74143	74143
16	#10 INTERNAL TOOTH WASHER	2	12573	12573	12573	12573
17	SET SCREW 1/4-20 X 3/8	2	74125	74125	74125	74125
18	TERMINAL ASSEMBLY	2	42305	42305	42305	42305
19	UPPER SPINNER HEAD	1	42437	42437	42437	42437
20	LOWER SPINNER HEAD 1/2	1	42281	42281	42281	42281

## Floss Machine Head Assembly



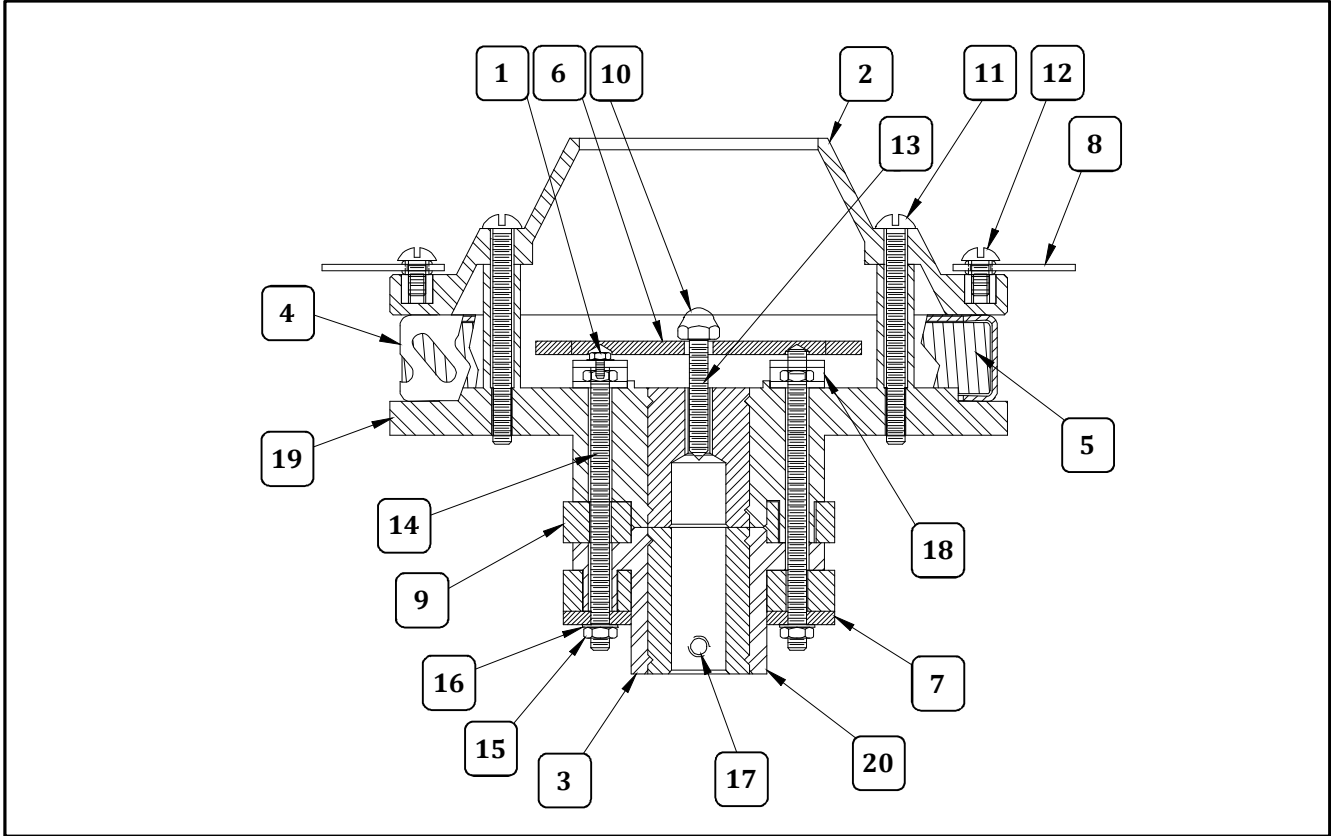
Item	Part Description	Qty.	Part Number			
			3017	3017SR	3017SS	3077 (3077C)
	SPINNER HEAD COMPLETE	1	42283	42283	42283	42561
1	8-32 x 1/4 HX HD WHIZLOCK	4	42045	42045	42045	42045
2	HIGH CAPACITY SPINNER CAP	1	43166	43166	43166	43166
3	SPINNER HEAD BOTTOM ONLY	1	42284	42284	42284	42284
4	5 1/2" FLOSS BAND	1	43165	43165	43165	
	5 1/2IN DBL FLOSS BAND	1				42517
5	5 IN RIBBON ASSY 11 OHMS	1	42251	42251	42251	
	3077/3015A RIBBON ASSY	2				42564
6	PHENOLIC TERMINAL GUARD	1	42162	42162	42162	42162
7	BOTTOM PHENOLIC WASHER	1	20054	20054	20054	20054
8	LEATHER FLOATER	2	20010	20010	20010	20010
9	SLIP RING 3/8 IN	2	42126	42126	42126	42126
10	ACORN NUT NYLON 1/4-20	1	48041	48041	48041	48041
11	10-24 X 2 PHIL PAN M/S	4	42041	42041	42041	
	10-24 X 2 3/4 PHIL PAN M/S	4				42199
12	SCREW 8-32X5/8 PH PAN MS	2	42192	42192	42192	42192
13	SET SCREW 1/4-20 X 2	1	42311	42311	42311	42311
14	SLIP RING STUDS	2	42127	42127	42127	42127
15	HEX NUT 10-32 ZINC PLATED	2	74143	74143	74143	74143
16	#10 INTERNAL TOOTH WASHER	2	12573	12573	12573	12573
17	SET SCREW 1/4-20 X 3/8	2	74125	74125	74125	74125
18	TERMINAL ASSEMBLY	2	42305	42305	42305	42305
19	UPPER SPINNER HEAD	1	42437	42437	42437	42437
20	LOWER SPINNER HEAD 1/2	1	42281	42281	42281	42281

## Floss Machine Head Assembly



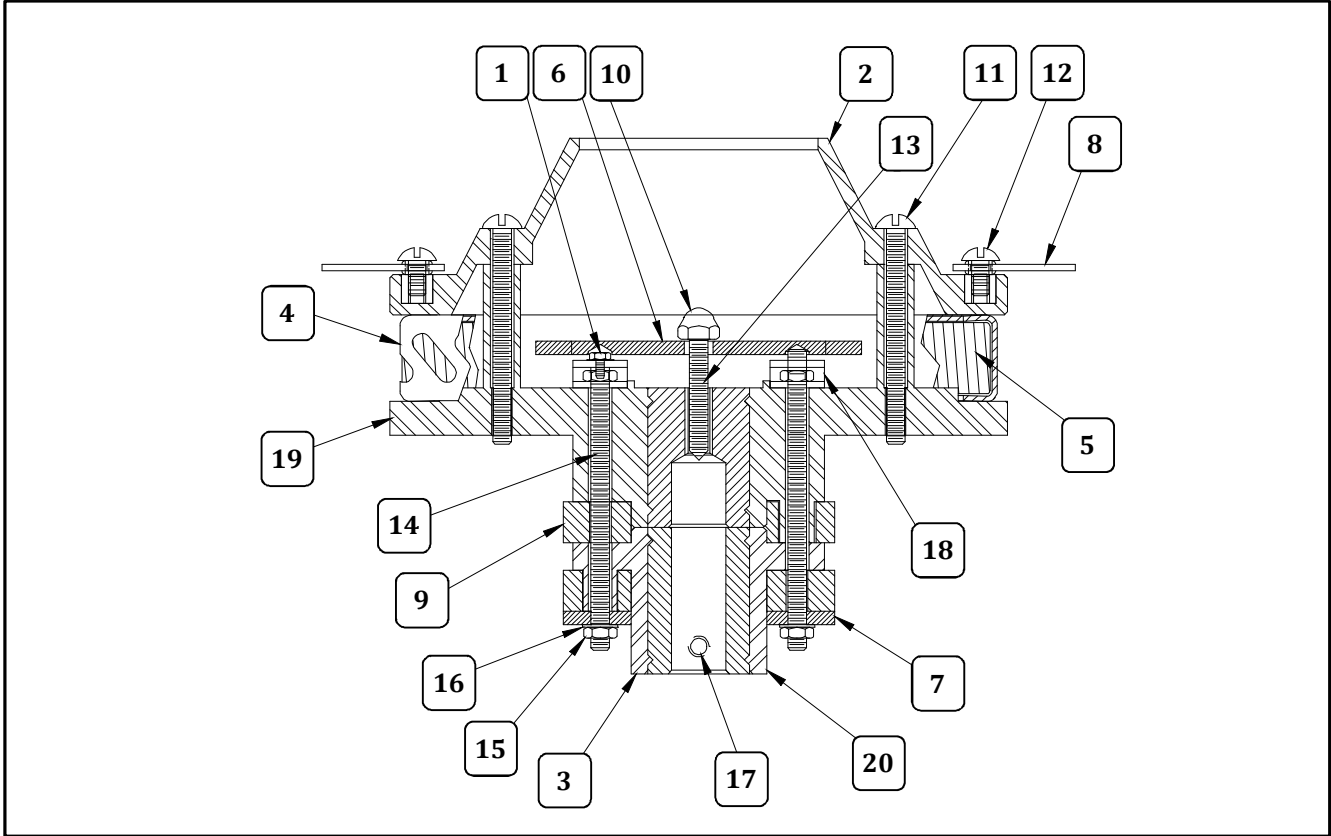
Item	Part Description	Qty.	Part Number			
			3017	3017SR	3017SS	3077 (3077C)
	SPINNER HEAD COMPLETE	1	42283	42283	42283	42561
1	8-32 x 1/4 HX HD WHIZLOCK	4	42045	42045	42045	42045
2	HIGH CAPACITY SPINNER CAP	1	43166	43166	43166	43166
3	SPINNER HEAD BOTTOM ONLY	1	42284	42284	42284	42284
4	5 1/2" FLOSS BAND	1	43165	43165	43165	
	5 1/2IN DBL FLOSS BAND	1				42517
5	5 IN RIBBON ASSY 11 OHMS	1	42251	42251	42251	
	3077/3015A RIBBON ASSY	2				42564
6	PHENOLIC TERMINAL GUARD	1	42162	42162	42162	42162
7	BOTTOM PHENOLIC WASHER	1	20054	20054	20054	20054
8	LEATHER FLOATER	2	20010	20010	20010	20010
9	SLIP RING 3/8 IN	2	42126	42126	42126	42126
10	ACORN NUT NYLON 1/4-20	1	48041	48041	48041	48041
11	10-24 X 2 PHIL PAN M/S	4	42041	42041	42041	
	10-24 X 2 3/4 PHIL PAN M/S	4				42199
12	SCREW 8-32X5/8 PH PAN MS	2	42192	42192	42192	42192
13	SET SCREW 1/4-20 X 2	1	42311	42311	42311	42311
14	SLIP RING STUDS	2	42127	42127	42127	42127
15	HEX NUT 10-32 ZINC PLATED	2	74143	74143	74143	74143
16	#10 INTERNAL TOOTH WASHER	2	12573	12573	12573	12573
17	SET SCREW 1/4-20 X 3/8	2	74125	74125	74125	74125
18	TERMINAL ASSEMBLY	2	42305	42305	42305	42305
19	UPPER SPINNER HEAD	1	42437	42437	42437	42437
20	LOWER SPINNER HEAD 1/2	1	42281	42281	42281	42281

## Floss Machine Head Assembly



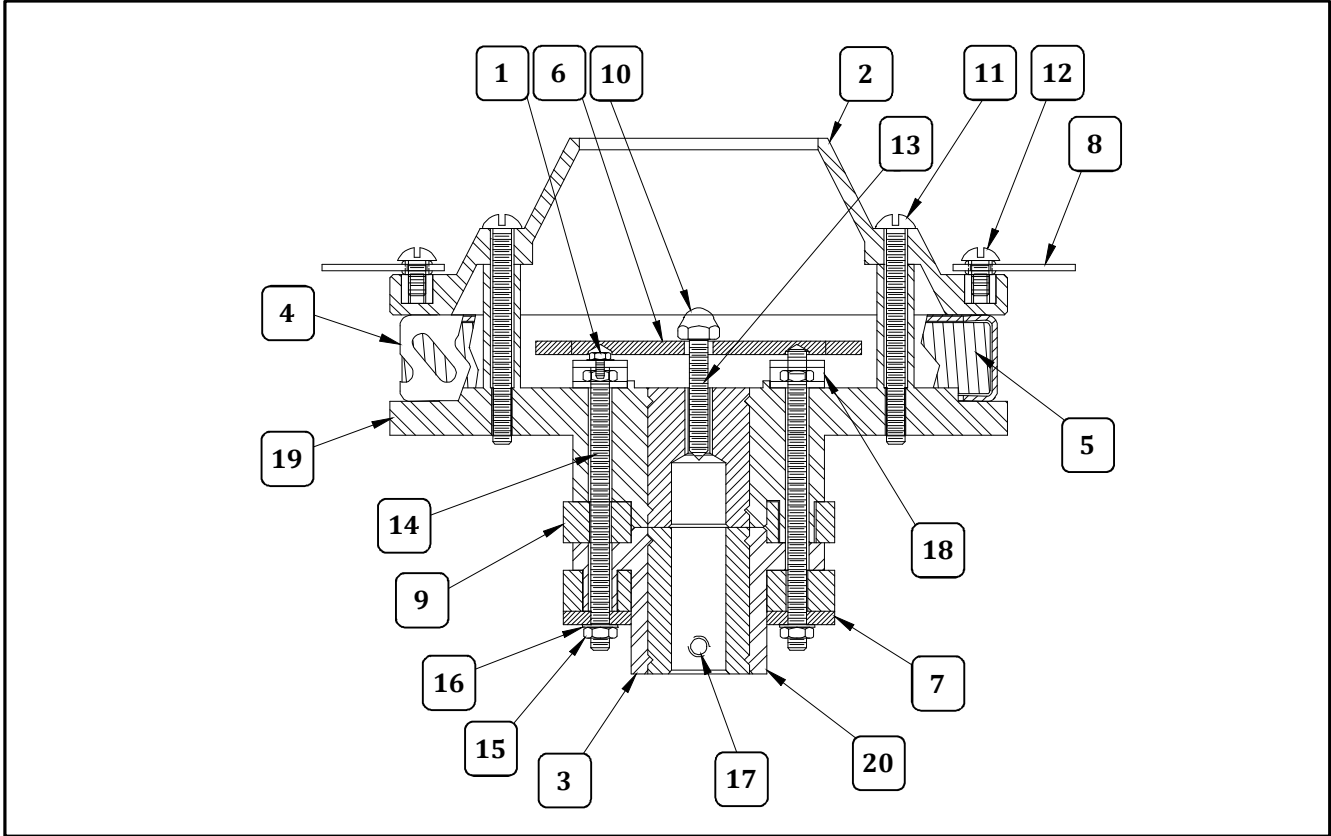
Item	Part Description	Qty.	Part Number			
			3017	3017SR	3017SS	3077 (3077C)
	SPINNER HEAD COMPLETE	1	42283	42283	42283	42561
1	8-32 x 1/4 HX HD WHIZLOCK	4	42045	42045	42045	42045
2	HIGH CAPACITY SPINNER CAP	1	43166	43166	43166	43166
3	SPINNER HEAD BOTTOM ONLY	1	42284	42284	42284	42284
4	5 1/2" FLOSS BAND	1	43165	43165	43165	
	5 1/2IN DBL FLOSS BAND	1				42517
5	5 IN RIBBON ASSY 11 OHMS	1	42251	42251	42251	
	3077/3015A RIBBON ASSY	2				42564
6	PHENOLIC TERMINAL GUARD	1	42162	42162	42162	42162
7	BOTTOM PHENOLIC WASHER	1	20054	20054	20054	20054
8	LEATHER FLOATER	2	20010	20010	20010	20010
9	SLIP RING 3/8 IN	2	42126	42126	42126	42126
10	ACORN NUT NYLON 1/4-20	1	48041	48041	48041	48041
11	10-24 X 2 PHIL PAN M/S	4	42041	42041	42041	
	10-24 X 2 3/4 PHIL PAN M/S	4				42199
12	SCREW 8-32X5/8 PH PAN MS	2	42192	42192	42192	42192
13	SET SCREW 1/4-20 X 2	1	42311	42311	42311	42311
14	SLIP RING STUDS	2	42127	42127	42127	42127
15	HEX NUT 10-32 ZINC PLATED	2	74143	74143	74143	74143
16	#10 INTERNAL TOOTH WASHER	2	12573	12573	12573	12573
17	SET SCREW 1/4-20 X 3/8	2	74125	74125	74125	74125
18	TERMINAL ASSEMBLY	2	42305	42305	42305	42305
19	UPPER SPINNER HEAD	1	42437	42437	42437	42437
20	LOWER SPINNER HEAD 1/2	1	42281	42281	42281	42281

## Floss Machine Head Assembly



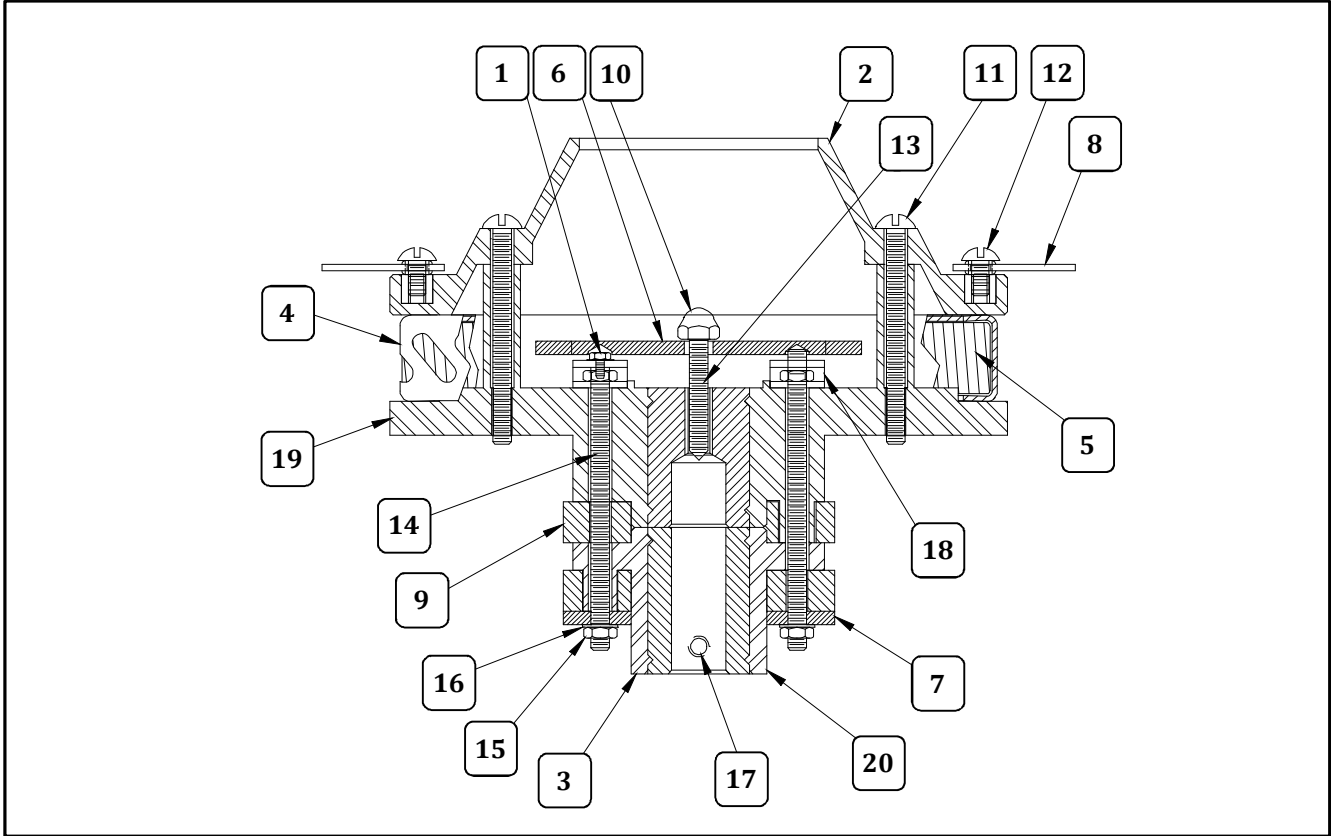
Item	Part Description	Qty.	Part Number			
			3017	3017SR	3017SS	3077 (3077C)
	SPINNER HEAD COMPLETE	1	42283	42283	42283	42561
1	8-32 x 1/4 HX HD WHIZLOCK	4	42045	42045	42045	42045
2	HIGH CAPACITY SPINNER CAP	1	43166	43166	43166	43166
3	SPINNER HEAD BOTTOM ONLY	1	42284	42284	42284	42284
4	5 1/2" FLOSS BAND	1	43165	43165	43165	
	5 1/2IN DBL FLOSS BAND	1				42517
5	5 IN RIBBON ASSY 11 OHMS	1	42251	42251	42251	
	3077/3015A RIBBON ASSY	2				42564
6	PHENOLIC TERMINAL GUARD	1	42162	42162	42162	42162
7	BOTTOM PHENOLIC WASHER	1	20054	20054	20054	20054
8	LEATHER FLOATER	2	20010	20010	20010	20010
9	SLIP RING 3/8 IN	2	42126	42126	42126	42126
10	ACORN NUT NYLON 1/4-20	1	48041	48041	48041	48041
11	10-24 X 2 PHIL PAN M/S	4	42041	42041	42041	
	10-24 X 2 3/4 PHIL PAN M/S	4				42199
12	SCREW 8-32X5/8 PH PAN MS	2	42192	42192	42192	42192
13	SET SCREW 1/4-20 X 2	1	42311	42311	42311	42311
14	SLIP RING STUDS	2	42127	42127	42127	42127
15	HEX NUT 10-32 ZINC PLATED	2	74143	74143	74143	74143
16	#10 INTERNAL TOOTH WASHER	2	12573	12573	12573	12573
17	SET SCREW 1/4-20 X 3/8	2	74125	74125	74125	74125
18	TERMINAL ASSEMBLY	2	42305	42305	42305	42305
19	UPPER SPINNER HEAD	1	42437	42437	42437	42437
20	LOWER SPINNER HEAD 1/2	1	42281	42281	42281	42281

## Floss Machine Head Assembly



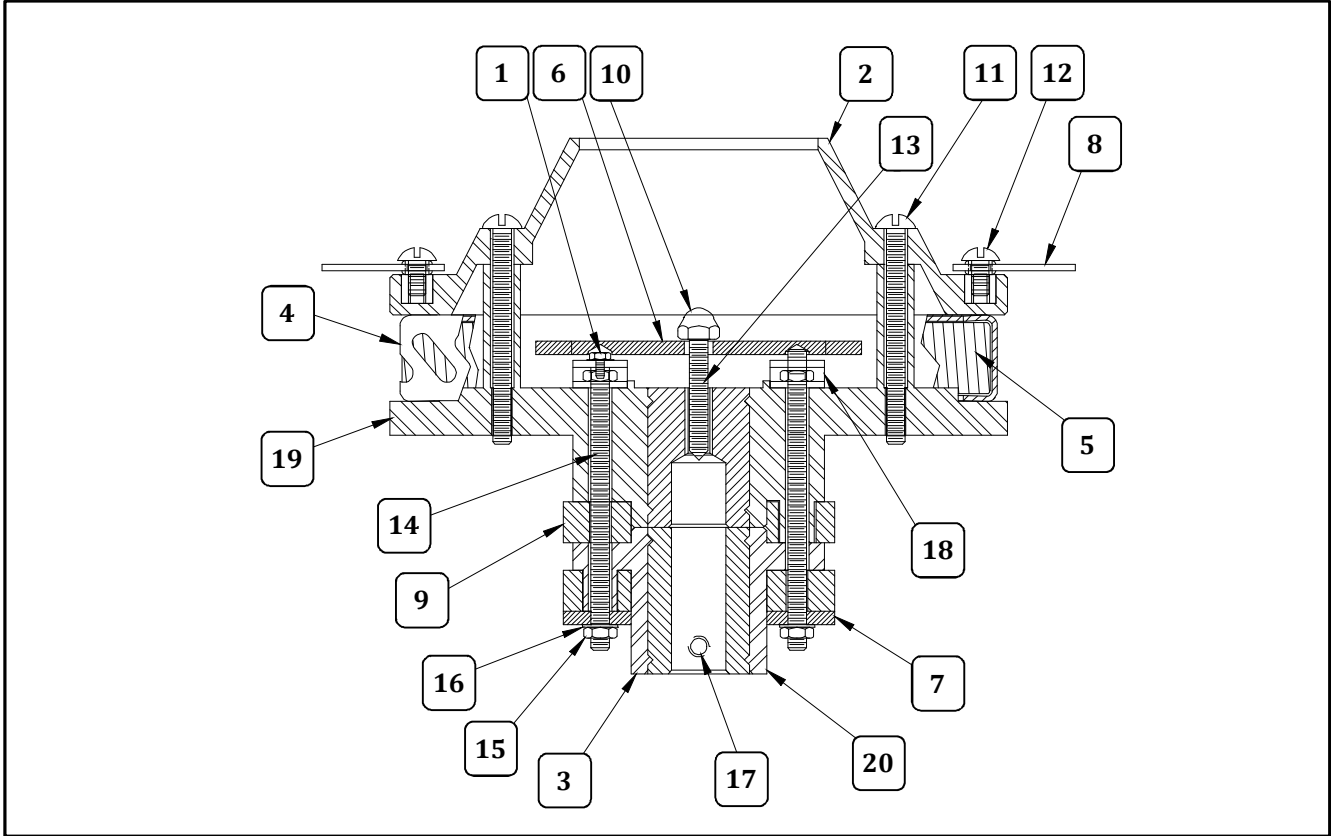
Item	Part Description	Qty.	Part Number			
			3017	3017SR	3017SS	3077 (3077C)
	SPINNER HEAD COMPLETE	1	42283	42283	42283	42561
1	8-32 x 1/4 HX HD WHIZLOCK	4	42045	42045	42045	42045
2	HIGH CAPACITY SPINNER CAP	1	43166	43166	43166	43166
3	SPINNER HEAD BOTTOM ONLY	1	42284	42284	42284	42284
4	5 1/2" FLOSS BAND	1	43165	43165	43165	
	5 1/2IN DBL FLOSS BAND	1				42517
5	5 IN RIBBON ASSY 11 OHMS	1	42251	42251	42251	
	3077/3015A RIBBON ASSY	2				42564
6	PHENOLIC TERMINAL GUARD	1	42162	42162	42162	42162
7	BOTTOM PHENOLIC WASHER	1	20054	20054	20054	20054
8	LEATHER FLOATER	2	20010	20010	20010	20010
9	SLIP RING 3/8 IN	2	42126	42126	42126	42126
10	ACORN NUT NYLON 1/4-20	1	48041	48041	48041	48041
11	10-24 X 2 PHIL PAN M/S	4	42041	42041	42041	
	10-24 X 2 3/4 PHIL PAN M/S	4				42199
12	SCREW 8-32X5/8 PH PAN MS	2	42192	42192	42192	42192
13	SET SCREW 1/4-20 X 2	1	42311	42311	42311	42311
14	SLIP RING STUDS	2	42127	42127	42127	42127
15	HEX NUT 10-32 ZINC PLATED	2	74143	74143	74143	74143
16	#10 INTERNAL TOOTH WASHER	2	12573	12573	12573	12573
17	SET SCREW 1/4-20 X 3/8	2	74125	74125	74125	74125
18	TERMINAL ASSEMBLY	2	42305	42305	42305	42305
19	UPPER SPINNER HEAD	1	42437	42437	42437	42437
20	LOWER SPINNER HEAD 1/2	1	42281	42281	42281	42281

## Floss Machine Head Assembly



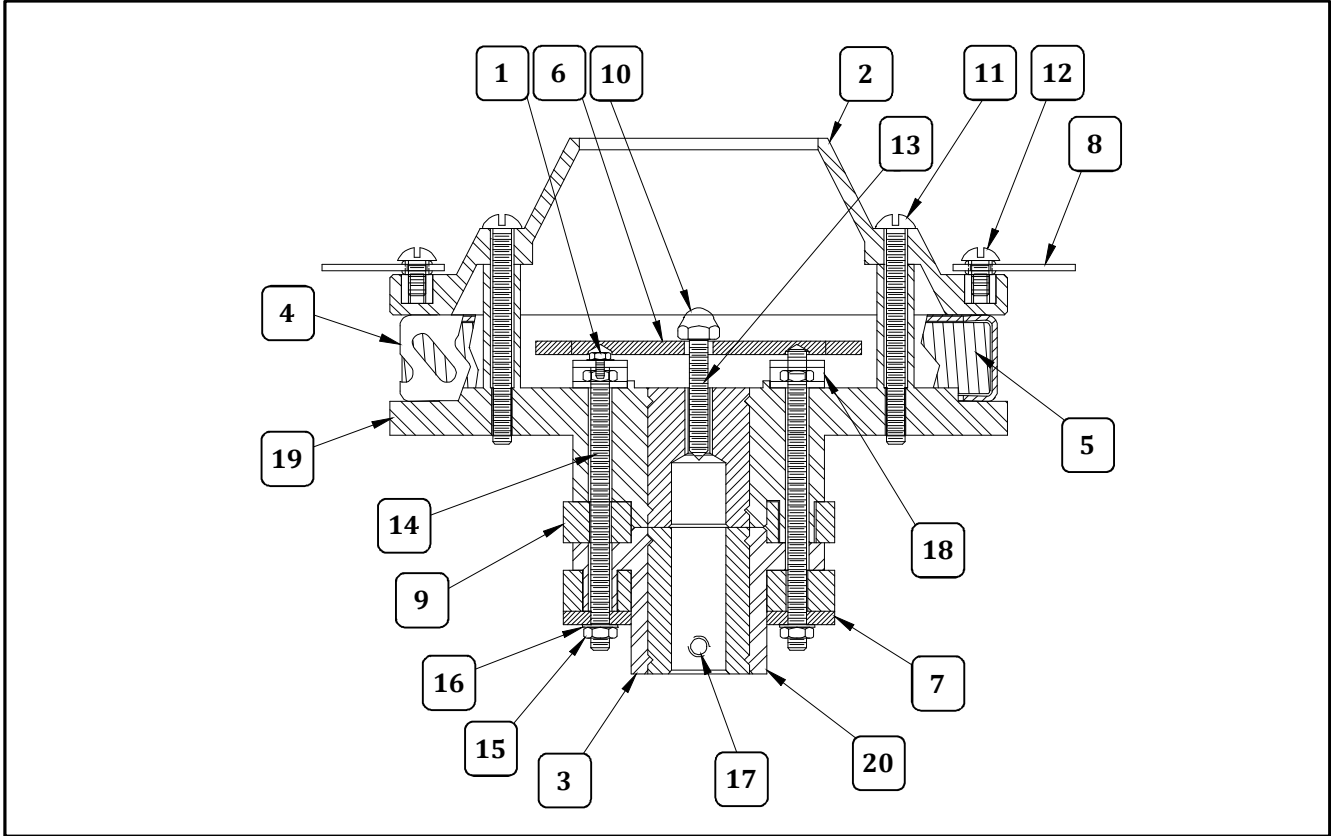
Item	Part Description	Qty.	Part Number			
			3017	3017SR	3017SS	3077 (3077C)
	SPINNER HEAD COMPLETE	1	42283	42283	42283	42561
1	8-32 x 1/4 HX HD WHIZLOCK	4	42045	42045	42045	42045
2	HIGH CAPACITY SPINNER CAP	1	43166	43166	43166	43166
3	SPINNER HEAD BOTTOM ONLY	1	42284	42284	42284	42284
4	5 1/2" FLOSS BAND	1	43165	43165	43165	
	5 1/2IN DBL FLOSS BAND	1				42517
5	5 IN RIBBON ASSY 11 OHMS	1	42251	42251	42251	
	3077/3015A RIBBON ASSY	2				42564
6	PHENOLIC TERMINAL GUARD	1	42162	42162	42162	42162
7	BOTTOM PHENOLIC WASHER	1	20054	20054	20054	20054
8	LEATHER FLOATER	2	20010	20010	20010	20010
9	SLIP RING 3/8 IN	2	42126	42126	42126	42126
10	ACORN NUT NYLON 1/4-20	1	48041	48041	48041	48041
11	10-24 X 2 PHIL PAN M/S	4	42041	42041	42041	
	10-24 X 2 3/4 PHIL PAN M/S	4				42199
12	SCREW 8-32X5/8 PH PAN MS	2	42192	42192	42192	42192
13	SET SCREW 1/4-20 X 2	1	42311	42311	42311	42311
14	SLIP RING STUDS	2	42127	42127	42127	42127
15	HEX NUT 10-32 ZINC PLATED	2	74143	74143	74143	74143
16	#10 INTERNAL TOOTH WASHER	2	12573	12573	12573	12573
17	SET SCREW 1/4-20 X 3/8	2	74125	74125	74125	74125
18	TERMINAL ASSEMBLY	2	42305	42305	42305	42305
19	UPPER SPINNER HEAD	1	42437	42437	42437	42437
20	LOWER SPINNER HEAD 1/2	1	42281	42281	42281	42281

## Floss Machine Head Assembly



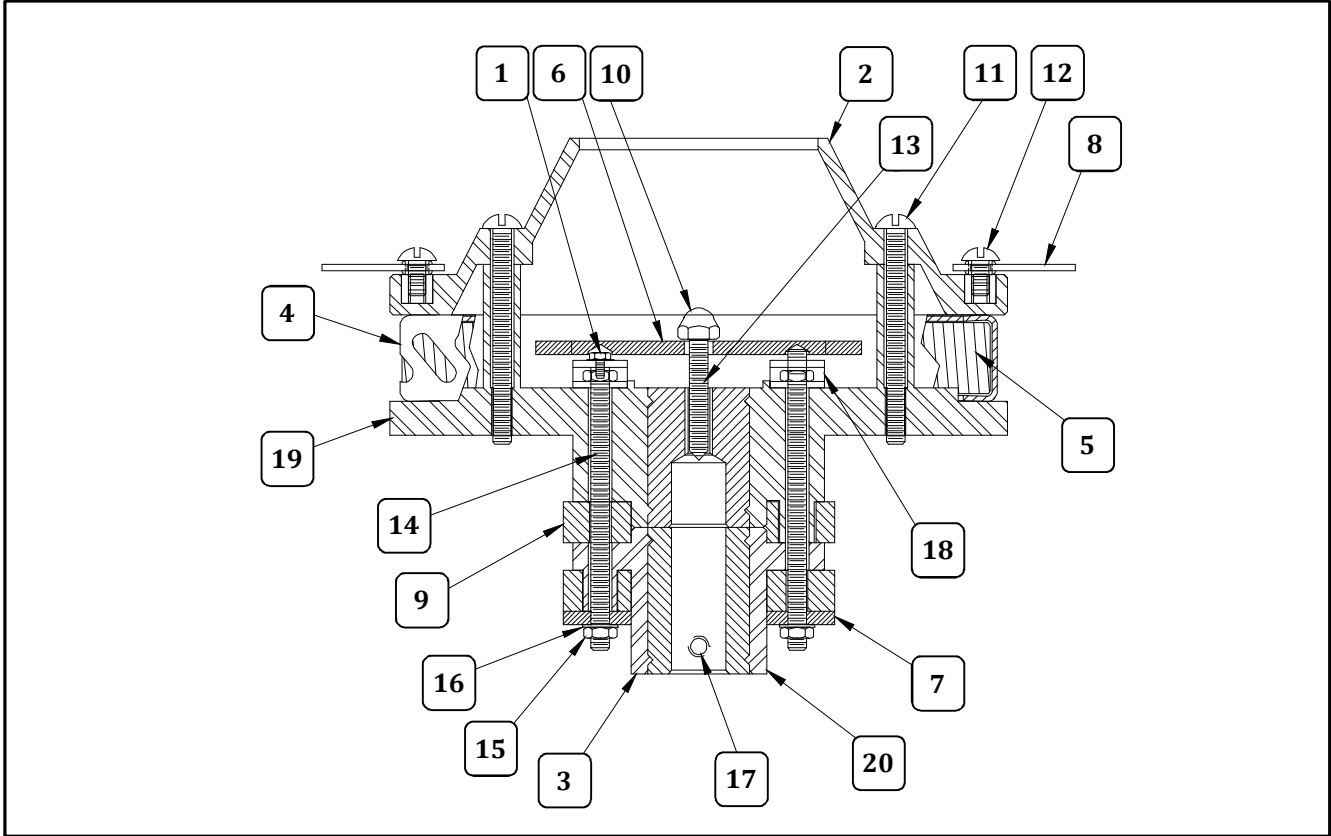
Item	Part Description	Qty.	Part Number			
			3017	3017SR	3017SS	3077 (3077C)
	SPINNER HEAD COMPLETE	1	42283	42283	42283	42561
1	8-32 x 1/4 HX HD WHIZLOCK	4	42045	42045	42045	42045
2	HIGH CAPACITY SPINNER CAP	1	43166	43166	43166	43166
3	SPINNER HEAD BOTTOM ONLY	1	42284	42284	42284	42284
4	5 1/2" FLOSS BAND	1	43165	43165	43165	
	5 1/2IN DBL FLOSS BAND	1				42517
5	5 IN RIBBON ASSY 11 OHMS	1	42251	42251	42251	
	3077/3015A RIBBON ASSY	2				42564
6	PHENOLIC TERMINAL GUARD	1	42162	42162	42162	42162
7	BOTTOM PHENOLIC WASHER	1	20054	20054	20054	20054
8	LEATHER FLOATER	2	20010	20010	20010	20010
9	SLIP RING 3/8 IN	2	42126	42126	42126	42126
10	ACORN NUT NYLON 1/4-20	1	48041	48041	48041	48041
11	10-24 X 2 PHIL PAN M/S	4	42041	42041	42041	
	10-24 X 2 3/4 PHIL PAN M/S	4				42199
12	SCREW 8-32X5/8 PH PAN MS	2	42192	42192	42192	42192
13	SET SCREW 1/4-20 X 2	1	42311	42311	42311	42311
14	SLIP RING STUDS	2	42127	42127	42127	42127
15	HEX NUT 10-32 ZINC PLATED	2	74143	74143	74143	74143
16	#10 INTERNAL TOOTH WASHER	2	12573	12573	12573	12573
17	SET SCREW 1/4-20 X 3/8	2	74125	74125	74125	74125
18	TERMINAL ASSEMBLY	2	42305	42305	42305	42305
19	UPPER SPINNER HEAD	1	42437	42437	42437	42437
20	LOWER SPINNER HEAD 1/2	1	42281	42281	42281	42281

## Floss Machine Head Assembly



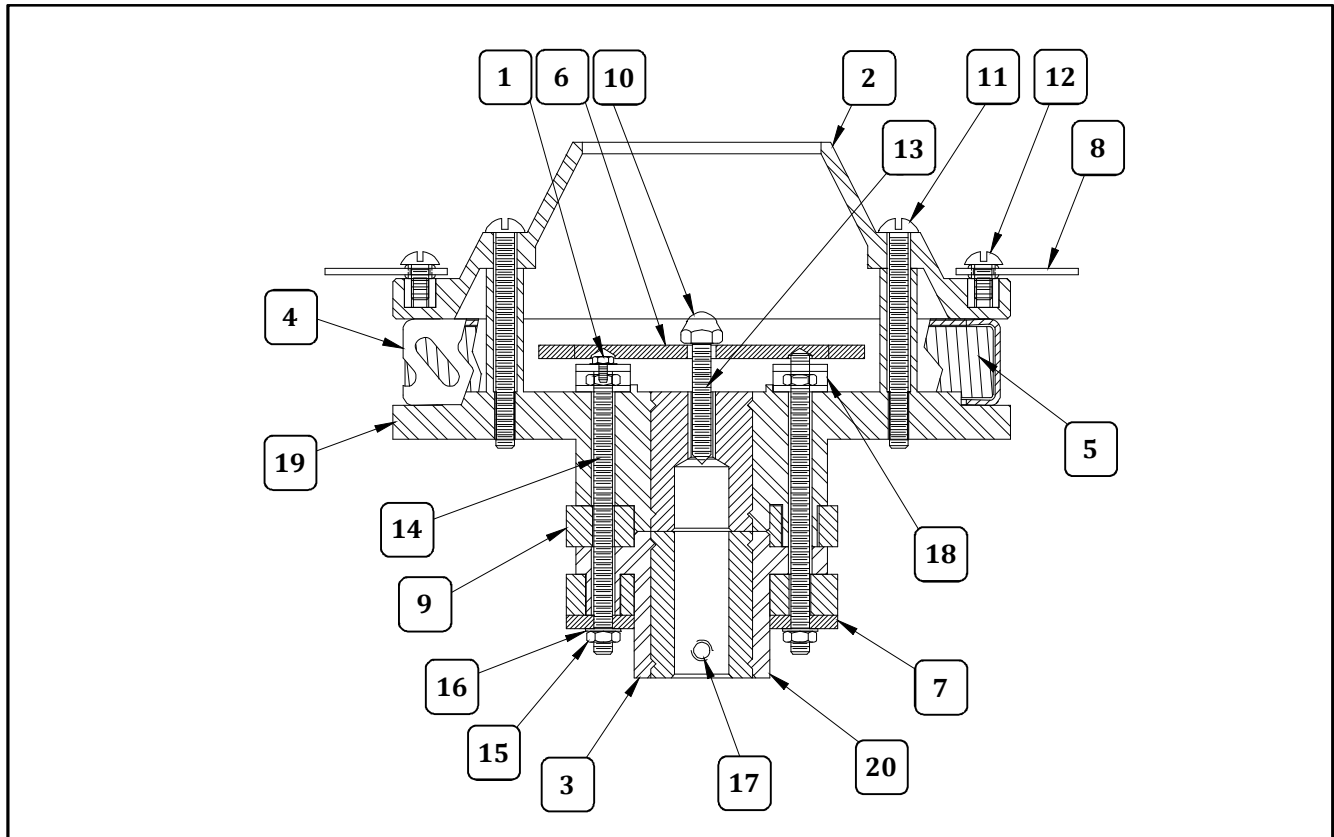
Item	Part Description	Qty.	Part Number			
			3017	3017SR	3017SS	3077 (3077C)
	SPINNER HEAD COMPLETE	1	42283	42283	42283	42561
1	8-32 x 1/4 HX HD WHIZLOCK	4	42045	42045	42045	42045
2	HIGH CAPACITY SPINNER CAP	1	43166	43166	43166	43166
3	SPINNER HEAD BOTTOM ONLY	1	42284	42284	42284	42284
4	5 1/2" FLOSS BAND	1	43165	43165	43165	
	5 1/2IN DBL FLOSS BAND	1				42517
5	5 IN RIBBON ASSY 11 OHMS	1	42251	42251	42251	
	3077/3015A RIBBON ASSY	2				42564
6	PHENOLIC TERMINAL GUARD	1	42162	42162	42162	42162
7	BOTTOM PHENOLIC WASHER	1	20054	20054	20054	20054
8	LEATHER FLOATER	2	20010	20010	20010	20010
9	SLIP RING 3/8 IN	2	42126	42126	42126	42126
10	ACORN NUT NYLON 1/4-20	1	48041	48041	48041	48041
11	10-24 X 2 PHIL PAN M/S	4	42041	42041	42041	
	10-24 X 2 3/4 PHIL PAN M/S	4				42199
12	SCREW 8-32X5/8 PH PAN MS	2	42192	42192	42192	42192
13	SET SCREW 1/4-20 X 2	1	42311	42311	42311	42311
14	SLIP RING STUDS	2	42127	42127	42127	42127
15	HEX NUT 10-32 ZINC PLATED	2	74143	74143	74143	74143
16	#10 INTERNAL TOOTH WASHER	2	12573	12573	12573	12573
17	SET SCREW 1/4-20 X 3/8	2	74125	74125	74125	74125
18	TERMINAL ASSEMBLY	2	42305	42305	42305	42305
19	UPPER SPINNER HEAD	1	42437	42437	42437	42437
20	LOWER SPINNER HEAD 1/2	1	42281	42281	42281	42281

## Floss Machine Head Assembly



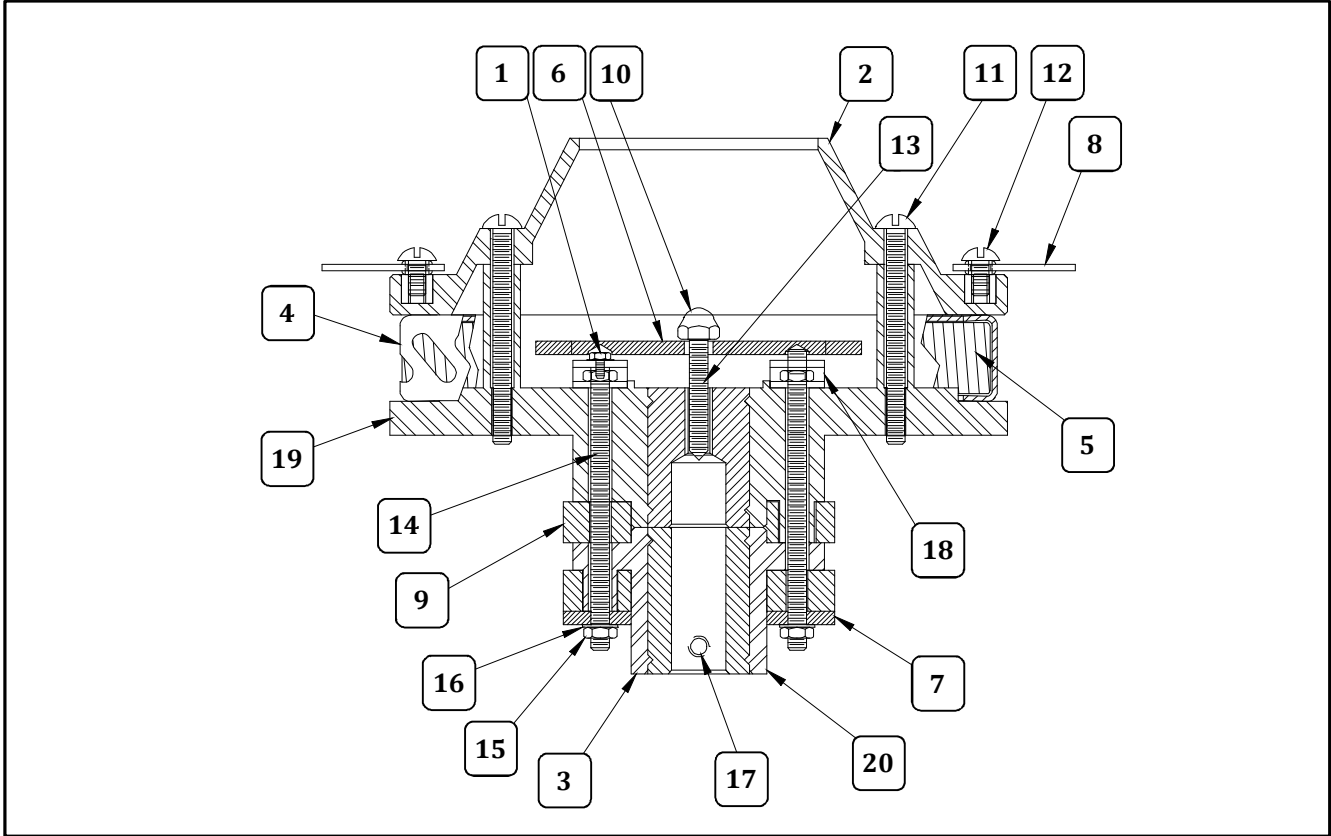
Item	Part Description	Qty.	Part Number			
			3017	3017SR	3017SS	3077 (3077C)
	SPINNER HEAD COMPLETE	1	42283	42283	42283	42561
1	8-32 x 1/4 HX HD WHIZLOCK	4	42045	42045	42045	42045
2	HIGH CAPACITY SPINNER CAP	1	43166	43166	43166	43166
3	SPINNER HEAD BOTTOM ONLY	1	42284	42284	42284	42284
4	5 1/2" FLOSS BAND	1	43165	43165	43165	
	5 1/2IN DBL FLOSS BAND	1				42517
5	5 IN RIBBON ASSY 11 OHMS	1	42251	42251	42251	
	3077/3015A RIBBON ASSY	2				42564
6	PHENOLIC TERMINAL GUARD	1	42162	42162	42162	42162
7	BOTTOM PHENOLIC WASHER	1	20054	20054	20054	20054
8	LEATHER FLOATER	2	20010	20010	20010	20010
9	SLIP RING 3/8 IN	2	42126	42126	42126	42126
10	ACORN NUT NYLON 1/4-20	1	48041	48041	48041	48041
11	10-24 X 2 PHIL PAN M/S	4	42041	42041	42041	
	10-24 X 2 3/4 PHIL PAN M/S	4				42199
12	SCREW 8-32X5/8 PH PAN MS	2	42192	42192	42192	42192
13	SET SCREW 1/4-20 X 2	1	42311	42311	42311	42311
14	SLIP RING STUDS	2	42127	42127	42127	42127
15	HEX NUT 10-32 ZINC PLATED	2	74143	74143	74143	74143
16	#10 INTERNAL TOOTH WASHER	2	12573	12573	12573	12573
17	SET SCREW 1/4-20 X 3/8	2	74125	74125	74125	74125
18	TERMINAL ASSEMBLY	2	42305	42305	42305	42305
19	UPPER SPINNER HEAD	1	42437	42437	42437	42437
20	LOWER SPINNER HEAD 1/2	1	42281	42281	42281	42281

## Floss Machine Head Assembly



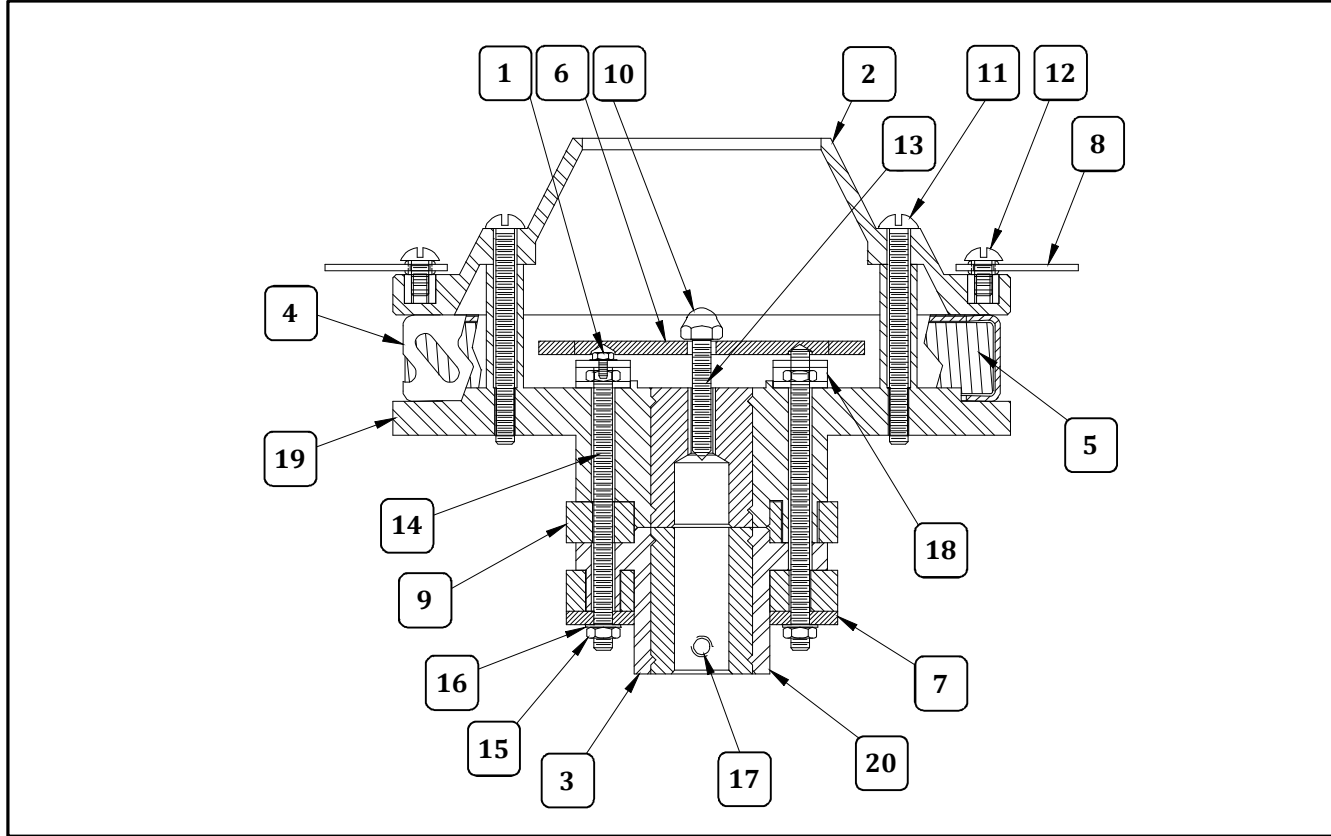
Item	Part Description	Qty.	Part Number			
			3017	3017SR	3017SS	3077 (3077C)
	SPINNER HEAD COMPLETE	1	42283	42283	42283	42561
1	8-32 x 1/4 HX HD WHIZLOCK	4	42045	42045	42045	42045
2	HIGH CAPACITY SPINNER CAP	1	43166	43166	43166	43166
3	SPINNER HEAD BOTTOM ONLY	1	42284	42284	42284	42284
4	5 1/2" FLOSS BAND	1	43165	43165	43165	
	5 1/2IN DBL FLOSS BAND	1				42517
5	5 IN RIBBON ASSY 11 OHMS	1	42251	42251	42251	
	3077/3015A RIBBON ASSY	2				42564
6	PHENOLIC TERMINAL GUARD	1	42162	42162	42162	42162
7	BOTTOM PHENOLIC WASHER	1	20054	20054	20054	20054
8	LEATHER FLOATER	2	20010	20010	20010	20010
9	SLIP RING 3/8 IN	2	42126	42126	42126	42126
10	ACORN NUT NYLON 1/4-20	1	48041	48041	48041	48041
11	10-24 X 2 PHIL PAN M/S	4	42041	42041	42041	
	10-24 X 2 3/4 PHIL PAN M/S	4				42199
12	SCREW 8-32X5/8 PH PAN MS	2	42192	42192	42192	42192
13	SET SCREW 1/4-20 X 2	1	42311	42311	42311	42311
14	SLIP RING STUDS	2	42127	42127	42127	42127
15	HEX NUT 10-32 ZINC PLATED	2	74143	74143	74143	74143
16	#10 INTERNAL TOOTH WASHER	2	12573	12573	12573	12573
17	SET SCREW 1/4-20 X 3/8	2	74125	74125	74125	74125
18	TERMINAL ASSEMBLY	2	42305	42305	42305	42305
19	UPPER SPINNER HEAD	1	42437	42437	42437	42437
20	LOWER SPINNER HEAD 1/2	1	42281	42281	42281	42281

## Floss Machine Head Assembly



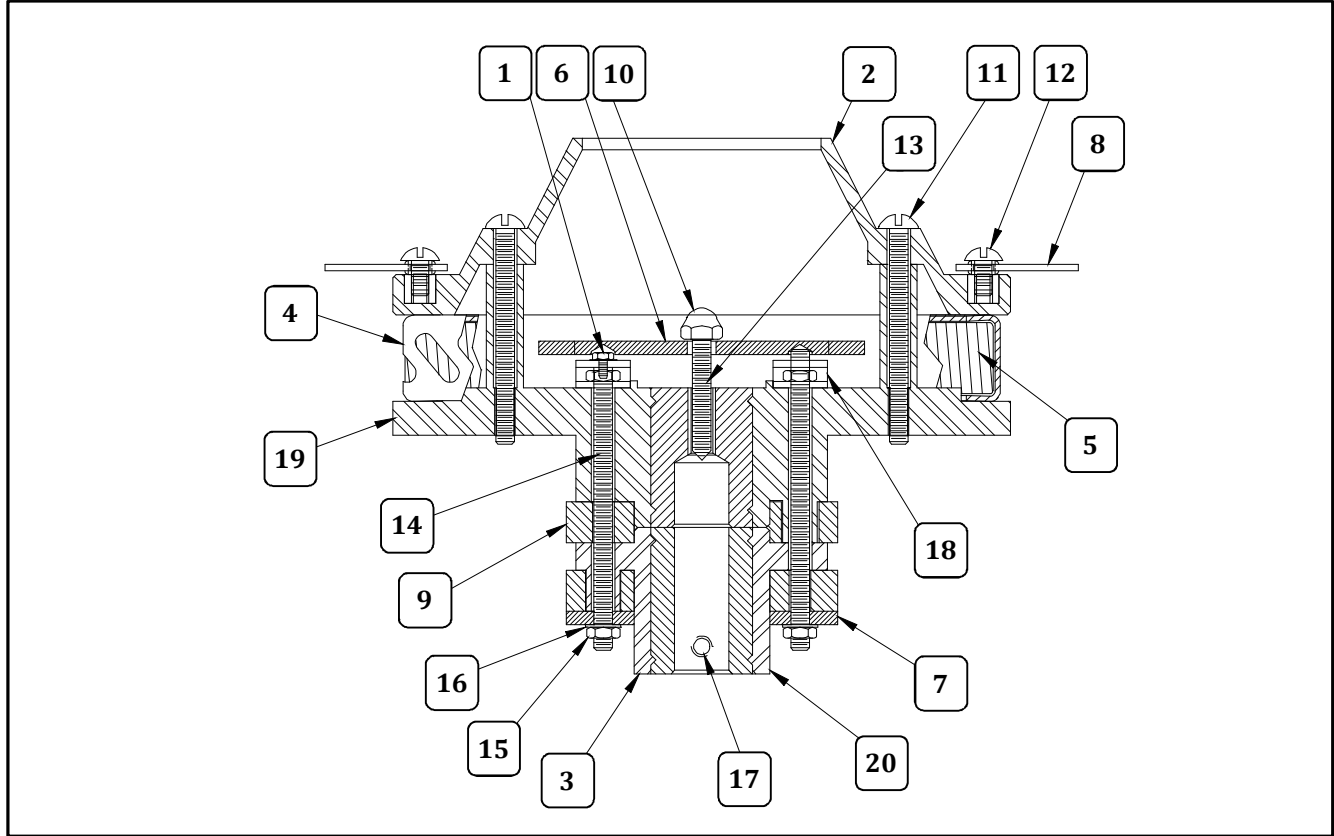
Item	Part Description	Qty.	Part Number			
			3017	3017SR	3017SS	3077 (3077C)
	SPINNER HEAD COMPLETE	1	42283	42283	42283	42561
1	8-32 x 1/4 HX HD WHIZLOCK	4	42045	42045	42045	42045
2	HIGH CAPACITY SPINNER CAP	1	43166	43166	43166	43166
3	SPINNER HEAD BOTTOM ONLY	1	42284	42284	42284	42284
4	5 1/2" FLOSS BAND	1	43165	43165	43165	
	5 1/2IN DBL FLOSS BAND	1				42517
5	5 IN RIBBON ASSY 11 OHMS	1	42251	42251	42251	
	3077/3015A RIBBON ASSY	2				42564
6	PHENOLIC TERMINAL GUARD	1	42162	42162	42162	42162
7	BOTTOM PHENOLIC WASHER	1	20054	20054	20054	20054
8	LEATHER FLOATER	2	20010	20010	20010	20010
9	SLIP RING 3/8 IN	2	42126	42126	42126	42126
10	ACORN NUT NYLON 1/4-20	1	48041	48041	48041	48041
11	10-24 X 2 PHIL PAN M/S	4	42041	42041	42041	
	10-24 X 2 3/4 PHIL PAN M/S	4				42199
12	SCREW 8-32X5/8 PH PAN MS	2	42192	42192	42192	42192
13	SET SCREW 1/4-20 X 2	1	42311	42311	42311	42311
14	SLIP RING STUDS	2	42127	42127	42127	42127
15	HEX NUT 10-32 ZINC PLATED	2	74143	74143	74143	74143
16	#10 INTERNAL TOOTH WASHER	2	12573	12573	12573	12573
17	SET SCREW 1/4-20 X 3/8	2	74125	74125	74125	74125
18	TERMINAL ASSEMBLY	2	42305	42305	42305	42305
19	UPPER SPINNER HEAD	1	42437	42437	42437	42437
20	LOWER SPINNER HEAD 1/2	1	42281	42281	42281	42281

## Floss Machine Head Assembly



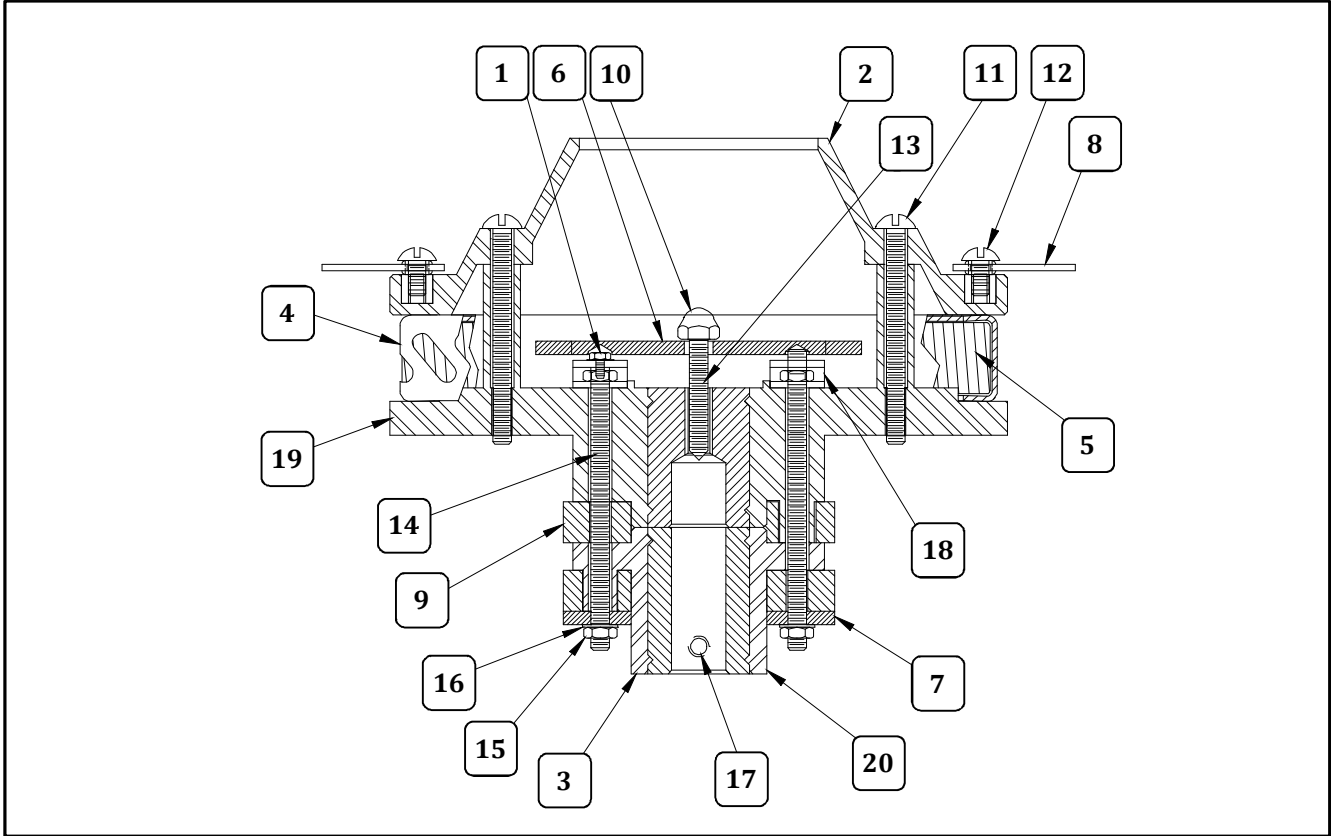
Item	Part Description	Qty.	Part Number			
			3017	3017SR	3017SS	3077 (3077C)
	SPINNER HEAD COMPLETE	1	42283	42283	42283	42561
1	8-32 x 1/4 HX HD WHIZLOCK	4	42045	42045	42045	42045
2	HIGH CAPACITY SPINNER CAP	1	43166	43166	43166	43166
3	SPINNER HEAD BOTTOM ONLY	1	42284	42284	42284	42284
4	5 1/2" FLOSS BAND	1	43165	43165	43165	
	5 1/2IN DBL FLOSS BAND	1				42517
5	5 IN RIBBON ASSY 11 OHMS	1	42251	42251	42251	
	3077/3015A RIBBON ASSY	2				42564
6	PHENOLIC TERMINAL GUARD	1	42162	42162	42162	42162
7	BOTTOM PHENOLIC WASHER	1	20054	20054	20054	20054
8	LEATHER FLOATER	2	20010	20010	20010	20010
9	SLIP RING 3/8 IN	2	42126	42126	42126	42126
10	ACORN NUT NYLON 1/4-20	1	48041	48041	48041	48041
11	10-24 X 2 PHIL PAN M/S	4	42041	42041	42041	
	10-24 X 2 3/4 PHIL PAN M/S	4				42199
12	SCREW 8-32X5/8 PH PAN MS	2	42192	42192	42192	42192
13	SET SCREW 1/4-20 X 2	1	42311	42311	42311	42311
14	SLIP RING STUDS	2	42127	42127	42127	42127
15	HEX NUT 10-32 ZINC PLATED	2	74143	74143	74143	74143
16	#10 INTERNAL TOOTH WASHER	2	12573	12573	12573	12573
17	SET SCREW 1/4-20 X 3/8	2	74125	74125	74125	74125
18	TERMINAL ASSEMBLY	2	42305	42305	42305	42305
19	UPPER SPINNER HEAD	1	42437	42437	42437	42437
20	LOWER SPINNER HEAD 1/2	1	42281	42281	42281	42281

## Floss Machine Head Assembly



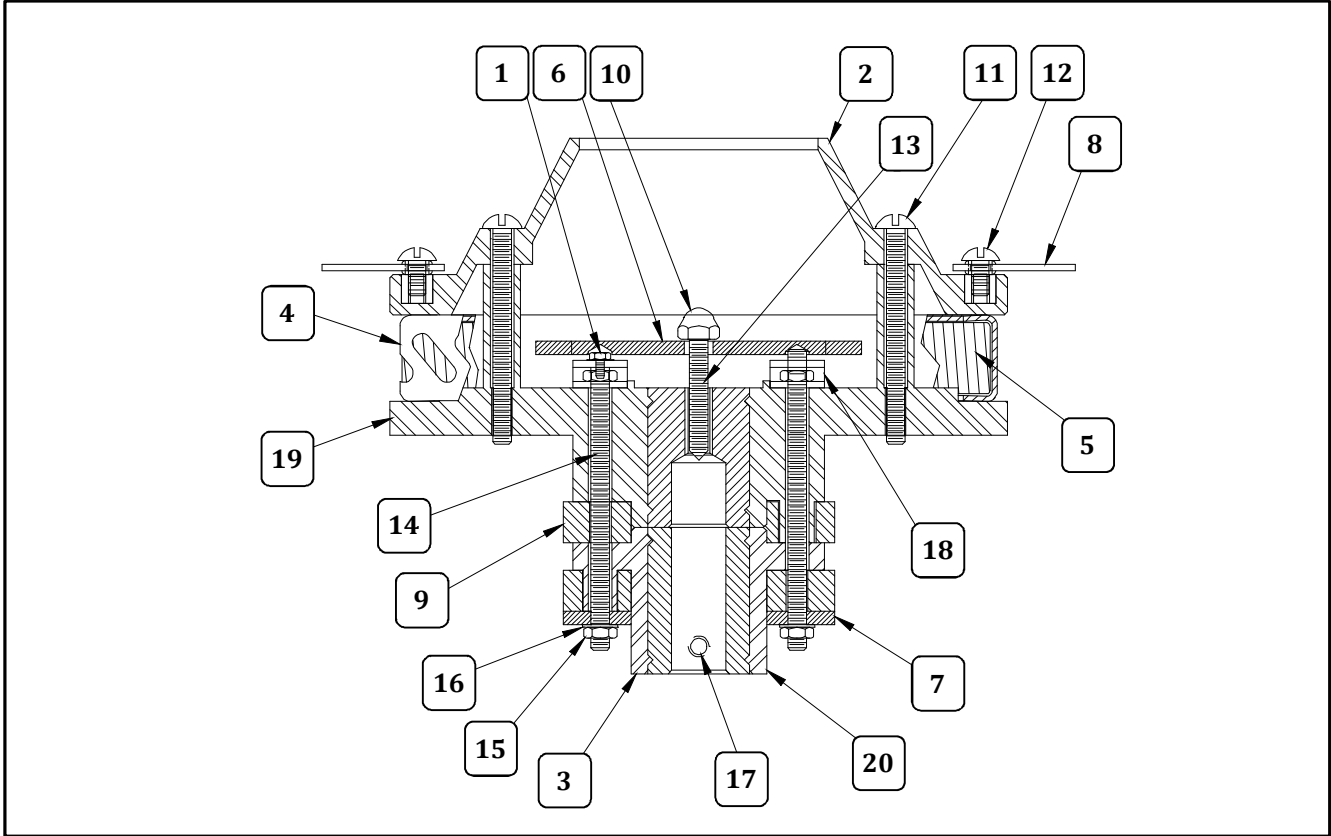
Item	Part Description	Qty.	Part Number			
			3017	3017SR	3017SS	3077 (3077C)
	SPINNER HEAD COMPLETE	1	42283	42283	42283	42561
1	8-32 x 1/4 HX HD WHIZLOCK	4	42045	42045	42045	42045
2	HIGH CAPACITY SPINNER CAP	1	43166	43166	43166	43166
3	SPINNER HEAD BOTTOM ONLY	1	42284	42284	42284	42284
4	5 1/2" FLOSS BAND	1	43165	43165	43165	
	5 1/2IN DBL FLOSS BAND	1				42517
5	5 IN RIBBON ASSY 11 OHMS	1	42251	42251	42251	
	3077/3015A RIBBON ASSY	2				42564
6	PHENOLIC TERMINAL GUARD	1	42162	42162	42162	42162
7	BOTTOM PHENOLIC WASHER	1	20054	20054	20054	20054
8	LEATHER FLOATER	2	20010	20010	20010	20010
9	SLIP RING 3/8 IN	2	42126	42126	42126	42126
10	ACORN NUT NYLON 1/4-20	1	48041	48041	48041	48041
11	10-24 X 2 PHIL PAN M/S	4	42041	42041	42041	
	10-24 X 2 3/4 PHIL PAN M/S	4				42199
12	SCREW 8-32X5/8 PH PAN MS	2	42192	42192	42192	42192
13	SET SCREW 1/4-20 X 2	1	42311	42311	42311	42311
14	SLIP RING STUDS	2	42127	42127	42127	42127
15	HEX NUT 10-32 ZINC PLATED	2	74143	74143	74143	74143
16	#10 INTERNAL TOOTH WASHER	2	12573	12573	12573	12573
17	SET SCREW 1/4-20 X 3/8	2	74125	74125	74125	74125
18	TERMINAL ASSEMBLY	2	42305	42305	42305	42305
19	UPPER SPINNER HEAD	1	42437	42437	42437	42437
20	LOWER SPINNER HEAD 1/2	1	42281	42281	42281	42281

## Floss Machine Head Assembly



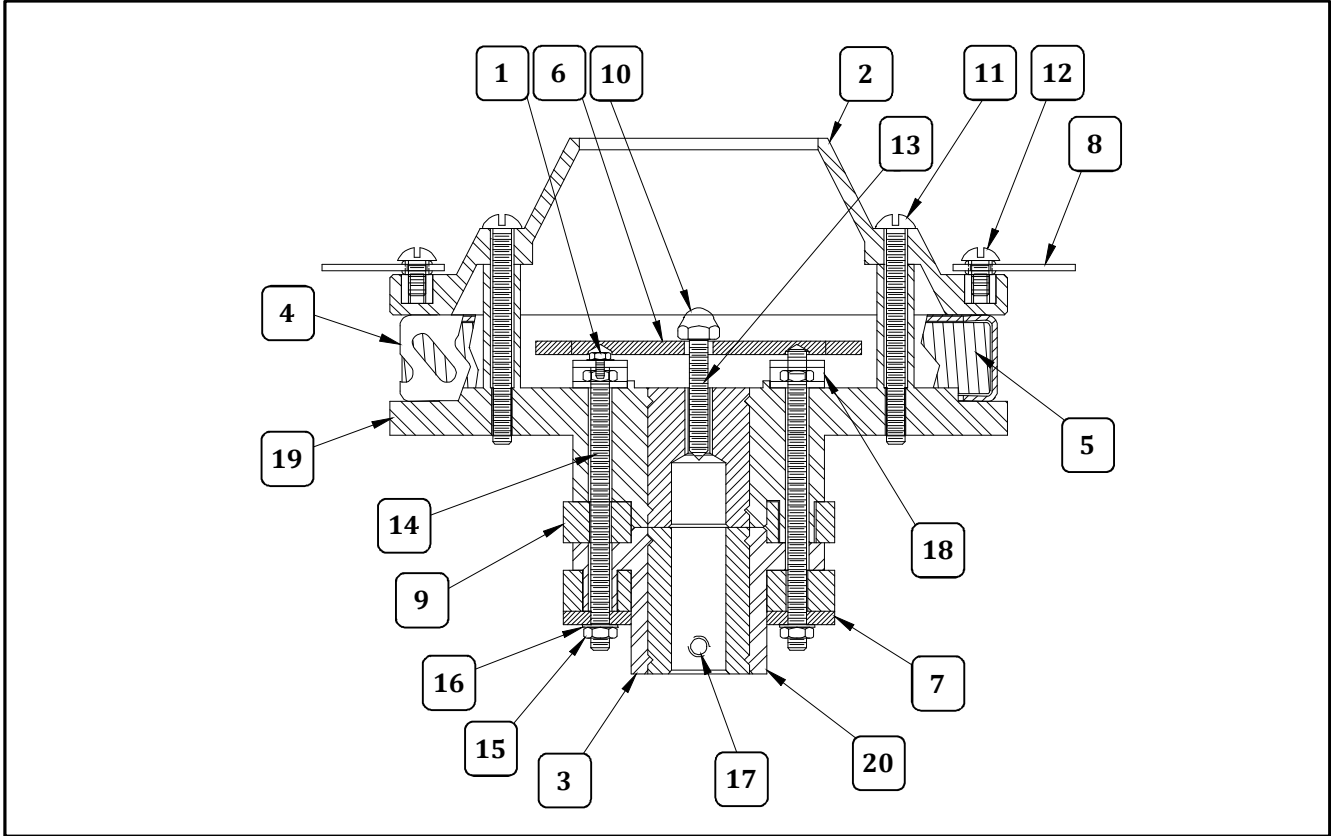
Item	Part Description	Qty.	Part Number			
			3017	3017SR	3017SS	3077 (3077C)
	SPINNER HEAD COMPLETE	1	42283	42283	42283	42561
1	8-32 x 1/4 HX HD WHIZLOCK	4	42045	42045	42045	42045
2	HIGH CAPACITY SPINNER CAP	1	43166	43166	43166	43166
3	SPINNER HEAD BOTTOM ONLY	1	42284	42284	42284	42284
4	5 1/2" FLOSS BAND	1	43165	43165	43165	
	5 1/2IN DBL FLOSS BAND	1				42517
5	5 IN RIBBON ASSY 11 OHMS	1	42251	42251	42251	
	3077/3015A RIBBON ASSY	2				42564
6	PHENOLIC TERMINAL GUARD	1	42162	42162	42162	42162
7	BOTTOM PHENOLIC WASHER	1	20054	20054	20054	20054
8	LEATHER FLOATER	2	20010	20010	20010	20010
9	SLIP RING 3/8 IN	2	42126	42126	42126	42126
10	ACORN NUT NYLON 1/4-20	1	48041	48041	48041	48041
11	10-24 X 2 PHIL PAN M/S	4	42041	42041	42041	
	10-24 X 2 3/4 PHIL PAN M/S	4				42199
12	SCREW 8-32X5/8 PH PAN MS	2	42192	42192	42192	42192
13	SET SCREW 1/4-20 X 2	1	42311	42311	42311	42311
14	SLIP RING STUDS	2	42127	42127	42127	42127
15	HEX NUT 10-32 ZINC PLATED	2	74143	74143	74143	74143
16	#10 INTERNAL TOOTH WASHER	2	12573	12573	12573	12573
17	SET SCREW 1/4-20 X 3/8	2	74125	74125	74125	74125
18	TERMINAL ASSEMBLY	2	42305	42305	42305	42305
19	UPPER SPINNER HEAD	1	42437	42437	42437	42437
20	LOWER SPINNER HEAD 1/2	1	42281	42281	42281	42281

## Floss Machine Head Assembly



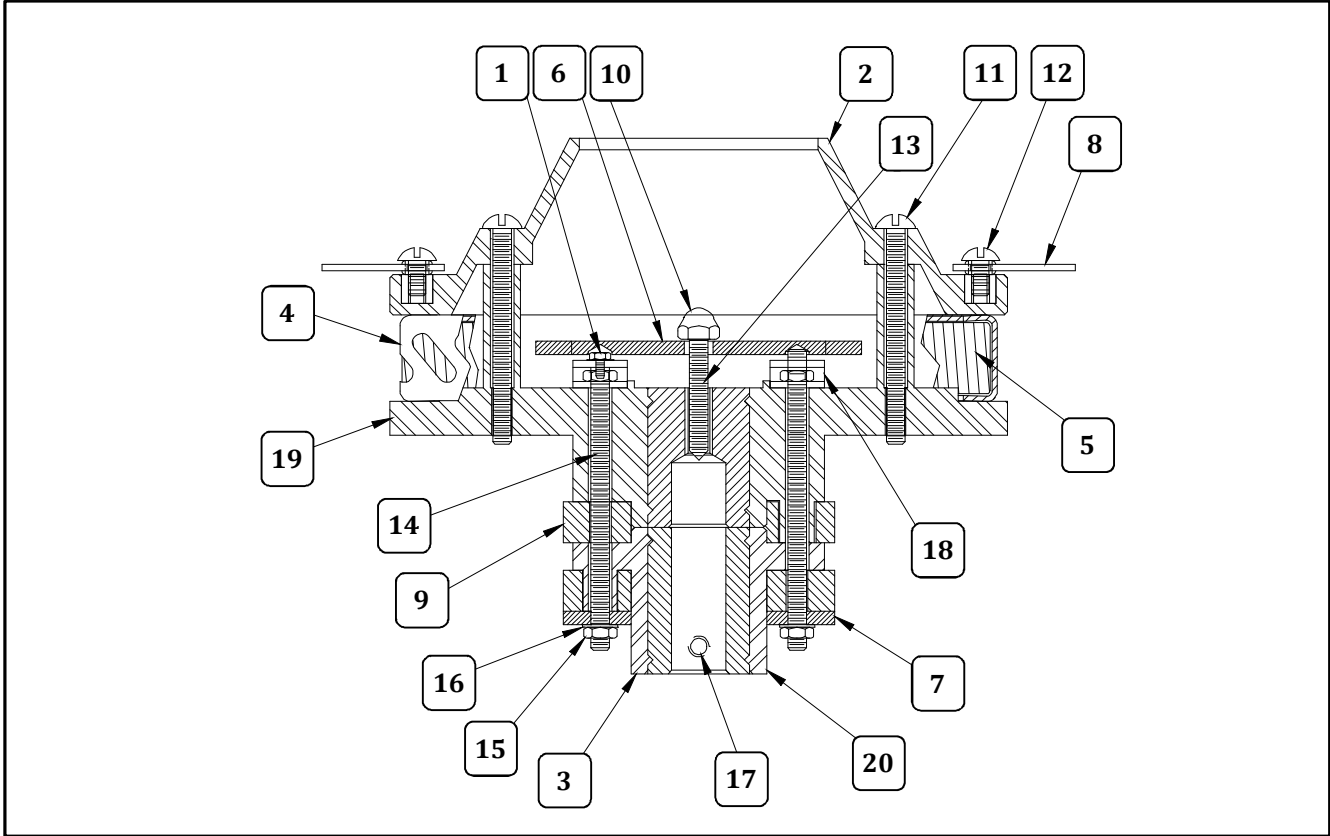
Item	Part Description	Qty.	Part Number			
			3017	3017SR	3017SS	3077 (3077C)
	SPINNER HEAD COMPLETE	1	42283	42283	42283	42561
1	8-32 x 1/4 HX HD WHIZLOCK	4	42045	42045	42045	42045
2	HIGH CAPACITY SPINNER CAP	1	43166	43166	43166	43166
3	SPINNER HEAD BOTTOM ONLY	1	42284	42284	42284	42284
4	5 1/2" FLOSS BAND	1	43165	43165	43165	
	5 1/2IN DBL FLOSS BAND	1				42517
5	5 IN RIBBON ASSY 11 OHMS	1	42251	42251	42251	
	3077/3015A RIBBON ASSY	2				42564
6	PHENOLIC TERMINAL GUARD	1	42162	42162	42162	42162
7	BOTTOM PHENOLIC WASHER	1	20054	20054	20054	20054
8	LEATHER FLOATER	2	20010	20010	20010	20010
9	SLIP RING 3/8 IN	2	42126	42126	42126	42126
10	ACORN NUT NYLON 1/4-20	1	48041	48041	48041	48041
11	10-24 X 2 PHIL PAN M/S	4	42041	42041	42041	
	10-24 X 2 3/4 PHIL PAN M/S	4				42199
12	SCREW 8-32X5/8 PH PAN MS	2	42192	42192	42192	42192
13	SET SCREW 1/4-20 X 2	1	42311	42311	42311	42311
14	SLIP RING STUDS	2	42127	42127	42127	42127
15	HEX NUT 10-32 ZINC PLATED	2	74143	74143	74143	74143
16	#10 INTERNAL TOOTH WASHER	2	12573	12573	12573	12573
17	SET SCREW 1/4-20 X 3/8	2	74125	74125	74125	74125
18	TERMINAL ASSEMBLY	2	42305	42305	42305	42305
19	UPPER SPINNER HEAD	1	42437	42437	42437	42437
20	LOWER SPINNER HEAD 1/2	1	42281	42281	42281	42281

## Floss Machine Head Assembly



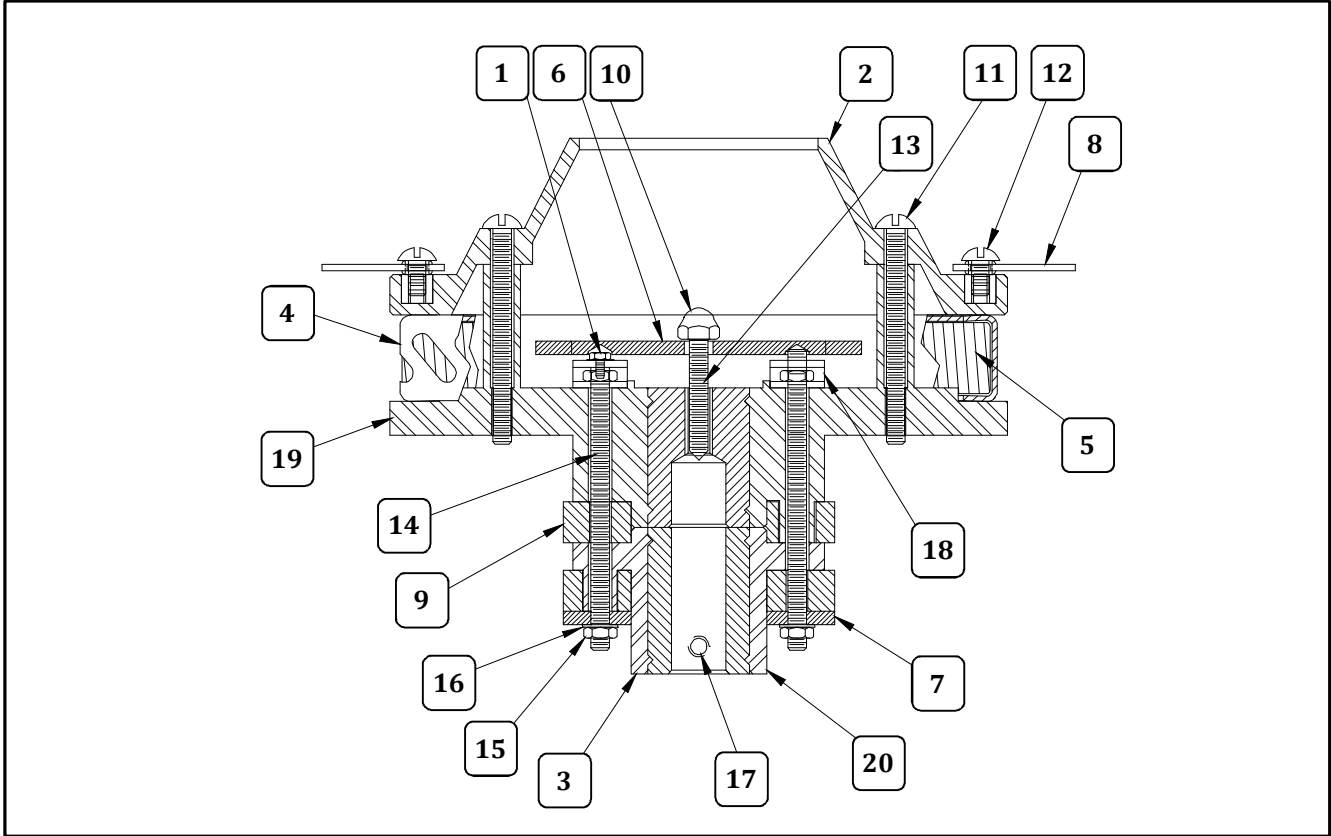
Item	Part Description	Qty.	Part Number			
			3017	3017SR	3017SS	3077 (3077C)
	SPINNER HEAD COMPLETE	1	42283	42283	42283	42561
1	8-32 x 1/4 HX HD WHIZLOCK	4	42045	42045	42045	42045
2	HIGH CAPACITY SPINNER CAP	1	43166	43166	43166	43166
3	SPINNER HEAD BOTTOM ONLY	1	42284	42284	42284	42284
4	5 1/2" FLOSS BAND	1	43165	43165	43165	
	5 1/2IN DBL FLOSS BAND	1				42517
5	5 IN RIBBON ASSY 11 OHMS	1	42251	42251	42251	
	3077/3015A RIBBON ASSY	2				42564
6	PHENOLIC TERMINAL GUARD	1	42162	42162	42162	42162
7	BOTTOM PHENOLIC WASHER	1	20054	20054	20054	20054
8	LEATHER FLOATER	2	20010	20010	20010	20010
9	SLIP RING 3/8 IN	2	42126	42126	42126	42126
10	ACORN NUT NYLON 1/4-20	1	48041	48041	48041	48041
11	10-24 X 2 PHIL PAN M/S	4	42041	42041	42041	
	10-24 X 2 3/4 PHIL PAN M/S	4				42199
12	SCREW 8-32X5/8 PH PAN MS	2	42192	42192	42192	42192
13	SET SCREW 1/4-20 X 2	1	42311	42311	42311	42311
14	SLIP RING STUDS	2	42127	42127	42127	42127
15	HEX NUT 10-32 ZINC PLATED	2	74143	74143	74143	74143
16	#10 INTERNAL TOOTH WASHER	2	12573	12573	12573	12573
17	SET SCREW 1/4-20 X 3/8	2	74125	74125	74125	74125
18	TERMINAL ASSEMBLY	2	42305	42305	42305	42305
19	UPPER SPINNER HEAD	1	42437	42437	42437	42437
20	LOWER SPINNER HEAD 1/2	1	42281	42281	42281	42281

## Floss Machine Head Assembly



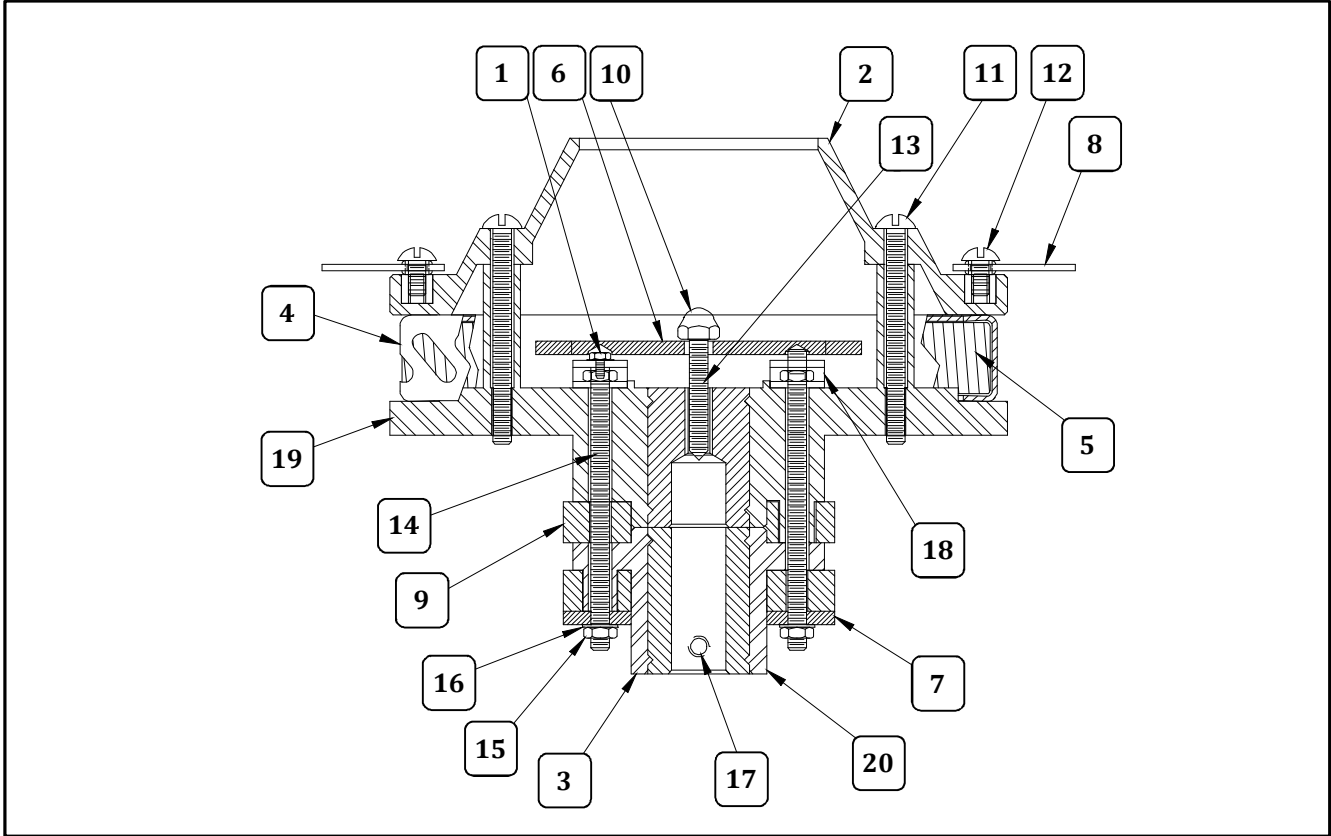
Item	Part Description	Qty.	Part Number			
			3017	3017SR	3017SS	3077 (3077C)
	SPINNER HEAD COMPLETE	1	42283	42283	42283	42561
1	8-32 x 1/4 HX HD WHIZLOCK	4	42045	42045	42045	42045
2	HIGH CAPACITY SPINNER CAP	1	43166	43166	43166	43166
3	SPINNER HEAD BOTTOM ONLY	1	42284	42284	42284	42284
4	5 1/2" FLOSS BAND	1	43165	43165	43165	
	5 1/2IN DBL FLOSS BAND	1				42517
5	5 IN RIBBON ASSY 11 OHMS	1	42251	42251	42251	
	3077/3015A RIBBON ASSY	2				42564
6	PHENOLIC TERMINAL GUARD	1	42162	42162	42162	42162
7	BOTTOM PHENOLIC WASHER	1	20054	20054	20054	20054
8	LEATHER FLOATER	2	20010	20010	20010	20010
9	SLIP RING 3/8 IN	2	42126	42126	42126	42126
10	ACORN NUT NYLON 1/4-20	1	48041	48041	48041	48041
11	10-24 X 2 PHIL PAN M/S	4	42041	42041	42041	
	10-24 X 2 3/4 PHIL PAN M/S	4				42199
12	SCREW 8-32X5/8 PH PAN MS	2	42192	42192	42192	42192
13	SET SCREW 1/4-20 X 2	1	42311	42311	42311	42311
14	SLIP RING STUDS	2	42127	42127	42127	42127
15	HEX NUT 10-32 ZINC PLATED	2	74143	74143	74143	74143
16	#10 INTERNAL TOOTH WASHER	2	12573	12573	12573	12573
17	SET SCREW 1/4-20 X 3/8	2	74125	74125	74125	74125
18	TERMINAL ASSEMBLY	2	42305	42305	42305	42305
19	UPPER SPINNER HEAD	1	42437	42437	42437	42437
20	LOWER SPINNER HEAD 1/2	1	42281	42281	42281	42281

## Floss Machine Head Assembly



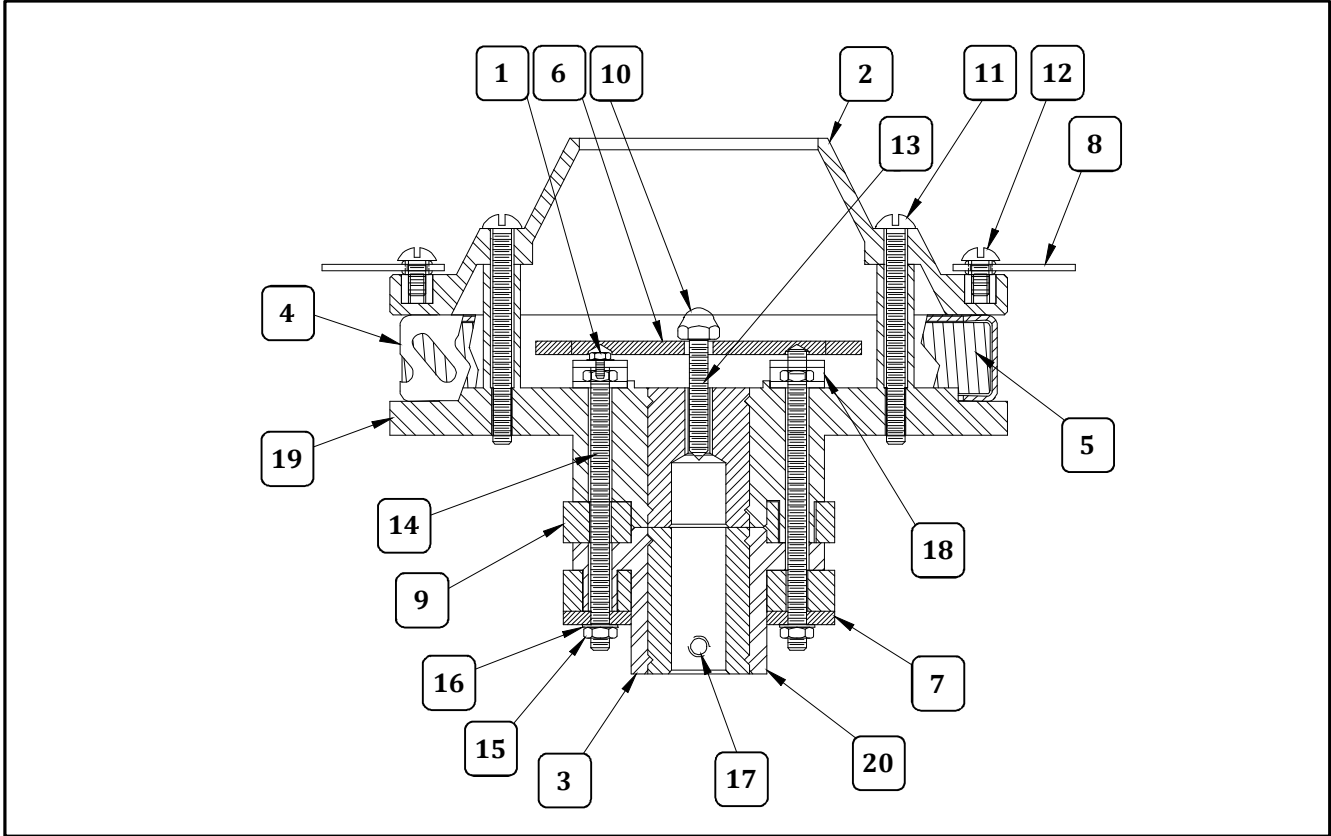
Item	Part Description	Qty.	Part Number			
			3017	3017SR	3017SS	3077 (3077C)
	SPINNER HEAD COMPLETE	1	42283	42283	42283	42561
1	8-32 x 1/4 HX HD WHIZLOCK	4	42045	42045	42045	42045
2	HIGH CAPACITY SPINNER CAP	1	43166	43166	43166	43166
3	SPINNER HEAD BOTTOM ONLY	1	42284	42284	42284	42284
4	5 1/2" FLOSS BAND	1	43165	43165	43165	
	5 1/2IN DBL FLOSS BAND	1				42517
5	5 IN RIBBON ASSY 11 OHMS	1	42251	42251	42251	
	3077/3015A RIBBON ASSY	2				42564
6	PHENOLIC TERMINAL GUARD	1	42162	42162	42162	42162
7	BOTTOM PHENOLIC WASHER	1	20054	20054	20054	20054
8	LEATHER FLOATER	2	20010	20010	20010	20010
9	SLIP RING 3/8 IN	2	42126	42126	42126	42126
10	ACORN NUT NYLON 1/4-20	1	48041	48041	48041	48041
11	10-24 X 2 PHIL PAN M/S	4	42041	42041	42041	
	10-24 X 2 3/4 PHIL PAN M/S	4				42199
12	SCREW 8-32X5/8 PH PAN MS	2	42192	42192	42192	42192
13	SET SCREW 1/4-20 X 2	1	42311	42311	42311	42311
14	SLIP RING STUDS	2	42127	42127	42127	42127
15	HEX NUT 10-32 ZINC PLATED	2	74143	74143	74143	74143
16	#10 INTERNAL TOOTH WASHER	2	12573	12573	12573	12573
17	SET SCREW 1/4-20 X 3/8	2	74125	74125	74125	74125
18	TERMINAL ASSEMBLY	2	42305	42305	42305	42305
19	UPPER SPINNER HEAD	1	42437	42437	42437	42437
20	LOWER SPINNER HEAD 1/2	1	42281	42281	42281	42281

## Floss Machine Head Assembly



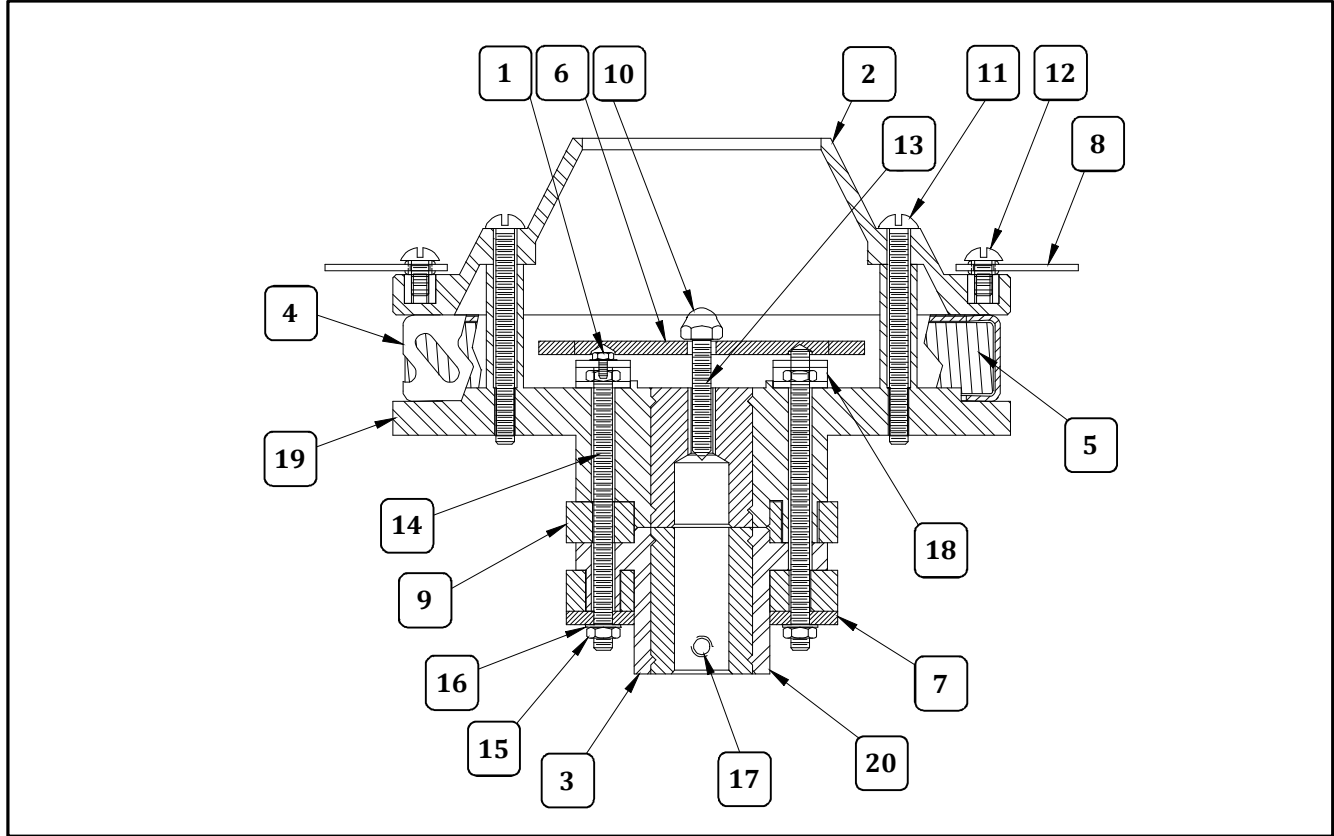
Item	Part Description	Qty.	Part Number			
			3017	3017SR	3017SS	3077 (3077C)
	SPINNER HEAD COMPLETE	1	42283	42283	42283	42561
1	8-32 x 1/4 HX HD WHIZLOCK	4	42045	42045	42045	42045
2	HIGH CAPACITY SPINNER CAP	1	43166	43166	43166	43166
3	SPINNER HEAD BOTTOM ONLY	1	42284	42284	42284	42284
4	5 1/2" FLOSS BAND	1	43165	43165	43165	
	5 1/2IN DBL FLOSS BAND	1				42517
5	5 IN RIBBON ASSY 11 OHMS	1	42251	42251	42251	
	3077/3015A RIBBON ASSY	2				42564
6	PHENOLIC TERMINAL GUARD	1	42162	42162	42162	42162
7	BOTTOM PHENOLIC WASHER	1	20054	20054	20054	20054
8	LEATHER FLOATER	2	20010	20010	20010	20010
9	SLIP RING 3/8 IN	2	42126	42126	42126	42126
10	ACORN NUT NYLON 1/4-20	1	48041	48041	48041	48041
11	10-24 X 2 PHIL PAN M/S	4	42041	42041	42041	
	10-24 X 2 3/4 PHIL PAN M/S	4				42199
12	SCREW 8-32X5/8 PH PAN MS	2	42192	42192	42192	42192
13	SET SCREW 1/4-20 X 2	1	42311	42311	42311	42311
14	SLIP RING STUDS	2	42127	42127	42127	42127
15	HEX NUT 10-32 ZINC PLATED	2	74143	74143	74143	74143
16	#10 INTERNAL TOOTH WASHER	2	12573	12573	12573	12573
17	SET SCREW 1/4-20 X 3/8	2	74125	74125	74125	74125
18	TERMINAL ASSEMBLY	2	42305	42305	42305	42305
19	UPPER SPINNER HEAD	1	42437	42437	42437	42437
20	LOWER SPINNER HEAD 1/2	1	42281	42281	42281	42281

## Floss Machine Head Assembly



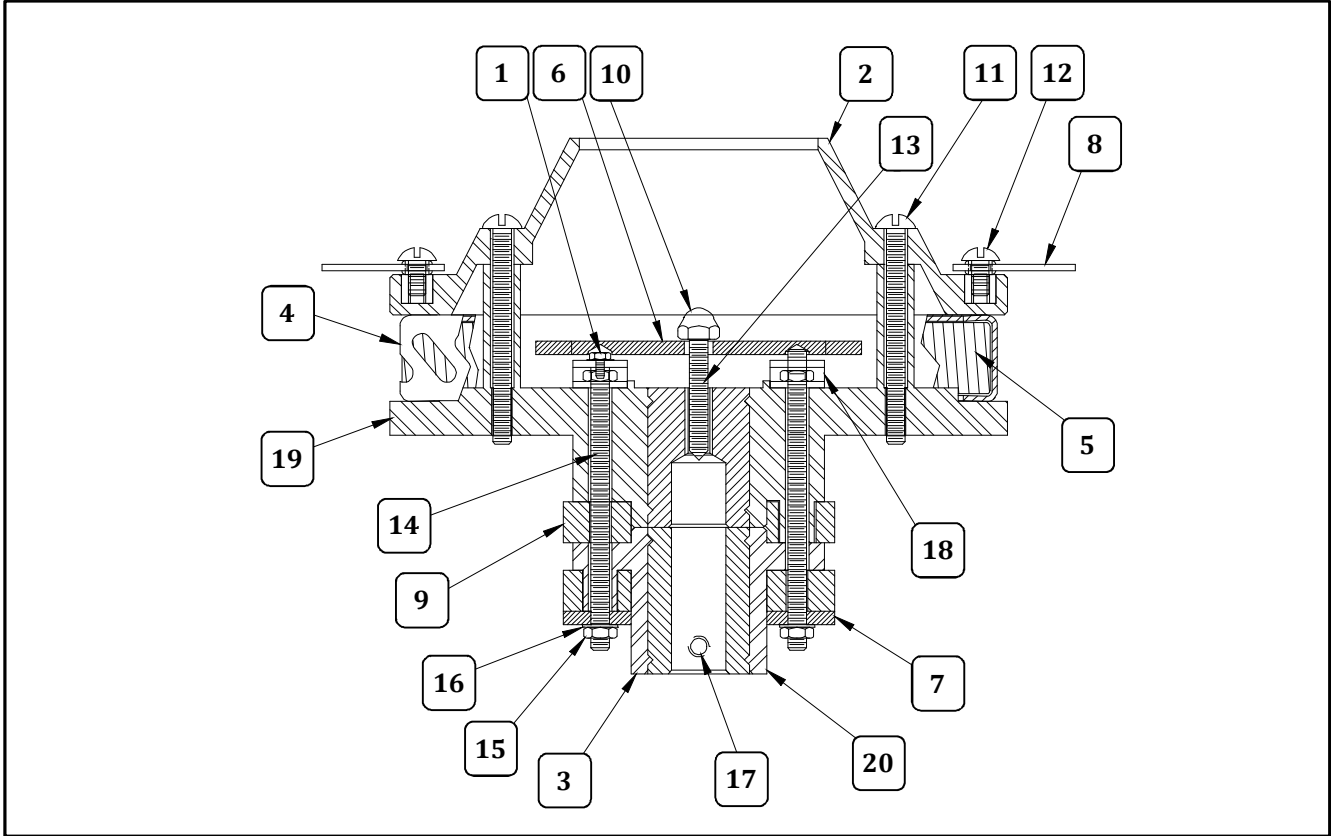
Item	Part Description	Qty.	Part Number			
			3017	3017SR	3017SS	3077 (3077C)
	SPINNER HEAD COMPLETE	1	42283	42283	42283	42561
1	8-32 x 1/4 HX HD WHIZLOCK	4	42045	42045	42045	42045
2	HIGH CAPACITY SPINNER CAP	1	43166	43166	43166	43166
3	SPINNER HEAD BOTTOM ONLY	1	42284	42284	42284	42284
4	5 1/2" FLOSS BAND	1	43165	43165	43165	
	5 1/2IN DBL FLOSS BAND	1				42517
5	5 IN RIBBON ASSY 11 OHMS	1	42251	42251	42251	
	3077/3015A RIBBON ASSY	2				42564
6	PHENOLIC TERMINAL GUARD	1	42162	42162	42162	42162
7	BOTTOM PHENOLIC WASHER	1	20054	20054	20054	20054
8	LEATHER FLOATER	2	20010	20010	20010	20010
9	SLIP RING 3/8 IN	2	42126	42126	42126	42126
10	ACORN NUT NYLON 1/4-20	1	48041	48041	48041	48041
11	10-24 X 2 PHIL PAN M/S	4	42041	42041	42041	
	10-24 X 2 3/4 PHIL PAN M/S	4				42199
12	SCREW 8-32X5/8 PH PAN MS	2	42192	42192	42192	42192
13	SET SCREW 1/4-20 X 2	1	42311	42311	42311	42311
14	SLIP RING STUDS	2	42127	42127	42127	42127
15	HEX NUT 10-32 ZINC PLATED	2	74143	74143	74143	74143
16	#10 INTERNAL TOOTH WASHER	2	12573	12573	12573	12573
17	SET SCREW 1/4-20 X 3/8	2	74125	74125	74125	74125
18	TERMINAL ASSEMBLY	2	42305	42305	42305	42305
19	UPPER SPINNER HEAD	1	42437	42437	42437	42437
20	LOWER SPINNER HEAD 1/2	1	42281	42281	42281	42281

## Floss Machine Head Assembly



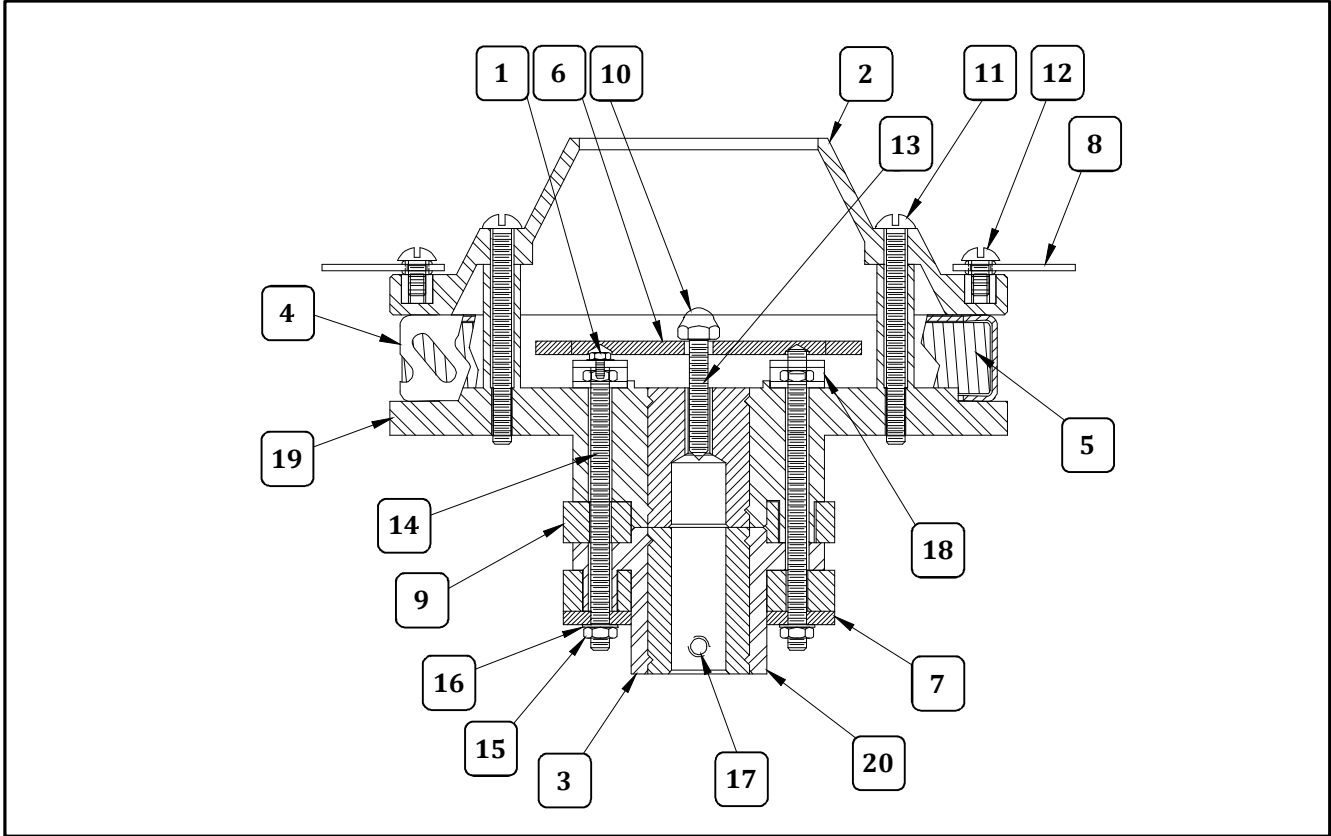
Item	Part Description	Qty.	Part Number			
			3017	3017SR	3017SS	3077 (3077C)
	SPINNER HEAD COMPLETE	1	42283	42283	42283	42561
1	8-32 x 1/4 HX HD WHIZLOCK	4	42045	42045	42045	42045
2	HIGH CAPACITY SPINNER CAP	1	43166	43166	43166	43166
3	SPINNER HEAD BOTTOM ONLY	1	42284	42284	42284	42284
4	5 1/2" FLOSS BAND	1	43165	43165	43165	
	5 1/2IN DBL FLOSS BAND	1				42517
5	5 IN RIBBON ASSY 11 OHMS	1	42251	42251	42251	
	3077/3015A RIBBON ASSY	2				42564
6	PHENOLIC TERMINAL GUARD	1	42162	42162	42162	42162
7	BOTTOM PHENOLIC WASHER	1	20054	20054	20054	20054
8	LEATHER FLOATER	2	20010	20010	20010	20010
9	SLIP RING 3/8 IN	2	42126	42126	42126	42126
10	ACORN NUT NYLON 1/4-20	1	48041	48041	48041	48041
11	10-24 X 2 PHIL PAN M/S	4	42041	42041	42041	
	10-24 X 2 3/4 PHIL PAN M/S	4				42199
12	SCREW 8-32X5/8 PH PAN MS	2	42192	42192	42192	42192
13	SET SCREW 1/4-20 X 2	1	42311	42311	42311	42311
14	SLIP RING STUDS	2	42127	42127	42127	42127
15	HEX NUT 10-32 ZINC PLATED	2	74143	74143	74143	74143
16	#10 INTERNAL TOOTH WASHER	2	12573	12573	12573	12573
17	SET SCREW 1/4-20 X 3/8	2	74125	74125	74125	74125
18	TERMINAL ASSEMBLY	2	42305	42305	42305	42305
19	UPPER SPINNER HEAD	1	42437	42437	42437	42437
20	LOWER SPINNER HEAD 1/2	1	42281	42281	42281	42281

## Floss Machine Head Assembly



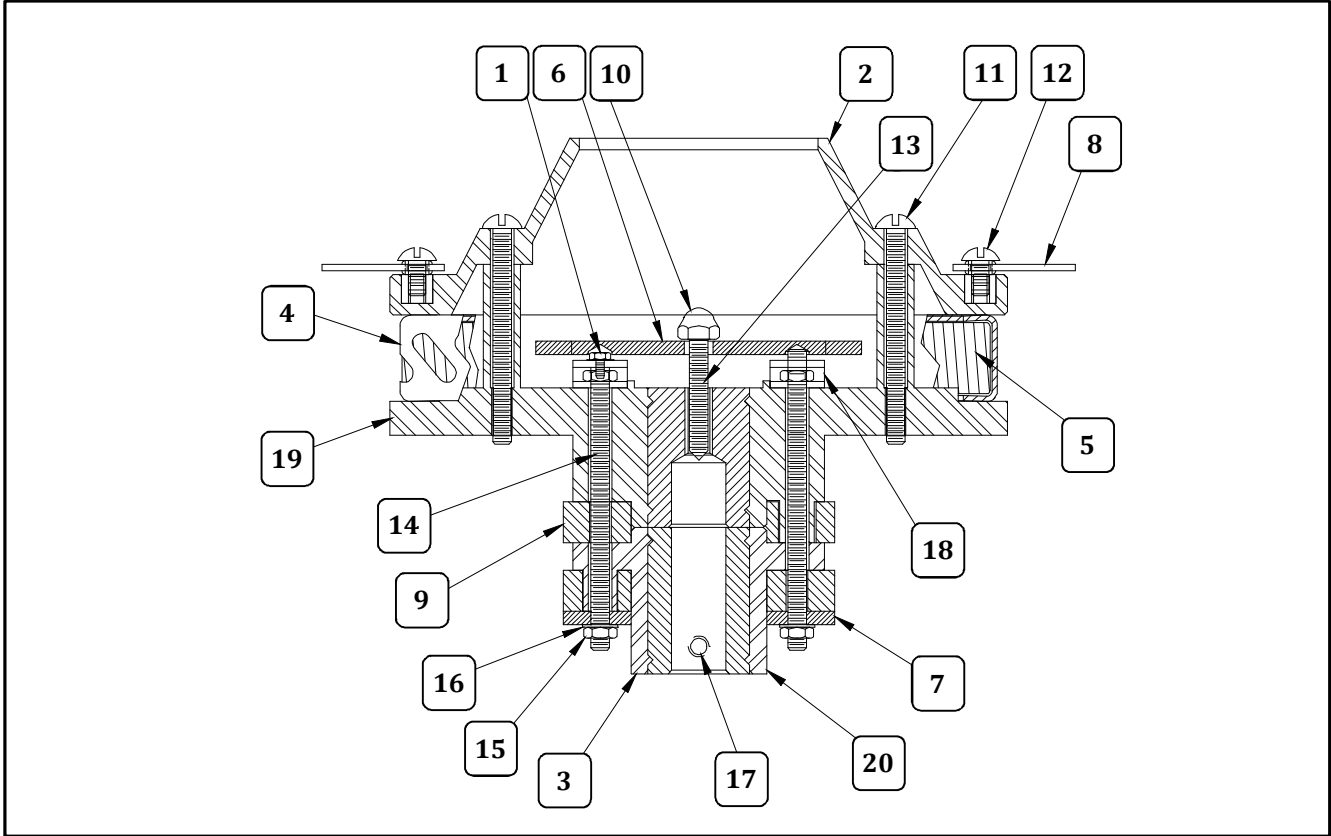
Item	Part Description	Qty.	Part Number			
			3017	3017SR	3017SS	3077 (3077C)
	SPINNER HEAD COMPLETE	1	42283	42283	42283	42561
1	8-32 x 1/4 HX HD WHIZLOCK	4	42045	42045	42045	42045
2	HIGH CAPACITY SPINNER CAP	1	43166	43166	43166	43166
3	SPINNER HEAD BOTTOM ONLY	1	42284	42284	42284	42284
4	5 1/2" FLOSS BAND	1	43165	43165	43165	
	5 1/2IN DBL FLOSS BAND	1				42517
5	5 IN RIBBON ASSY 11 OHMS	1	42251	42251	42251	
	3077/3015A RIBBON ASSY	2				42564
6	PHENOLIC TERMINAL GUARD	1	42162	42162	42162	42162
7	BOTTOM PHENOLIC WASHER	1	20054	20054	20054	20054
8	LEATHER FLOATER	2	20010	20010	20010	20010
9	SLIP RING 3/8 IN	2	42126	42126	42126	42126
10	ACORN NUT NYLON 1/4-20	1	48041	48041	48041	48041
11	10-24 X 2 PHIL PAN M/S	4	42041	42041	42041	
	10-24 X 2 3/4 PHIL PAN M/S	4				42199
12	SCREW 8-32X5/8 PH PAN MS	2	42192	42192	42192	42192
13	SET SCREW 1/4-20 X 2	1	42311	42311	42311	42311
14	SLIP RING STUDS	2	42127	42127	42127	42127
15	HEX NUT 10-32 ZINC PLATED	2	74143	74143	74143	74143
16	#10 INTERNAL TOOTH WASHER	2	12573	12573	12573	12573
17	SET SCREW 1/4-20 X 3/8	2	74125	74125	74125	74125
18	TERMINAL ASSEMBLY	2	42305	42305	42305	42305
19	UPPER SPINNER HEAD	1	42437	42437	42437	42437
20	LOWER SPINNER HEAD 1/2	1	42281	42281	42281	42281

## Floss Machine Head Assembly



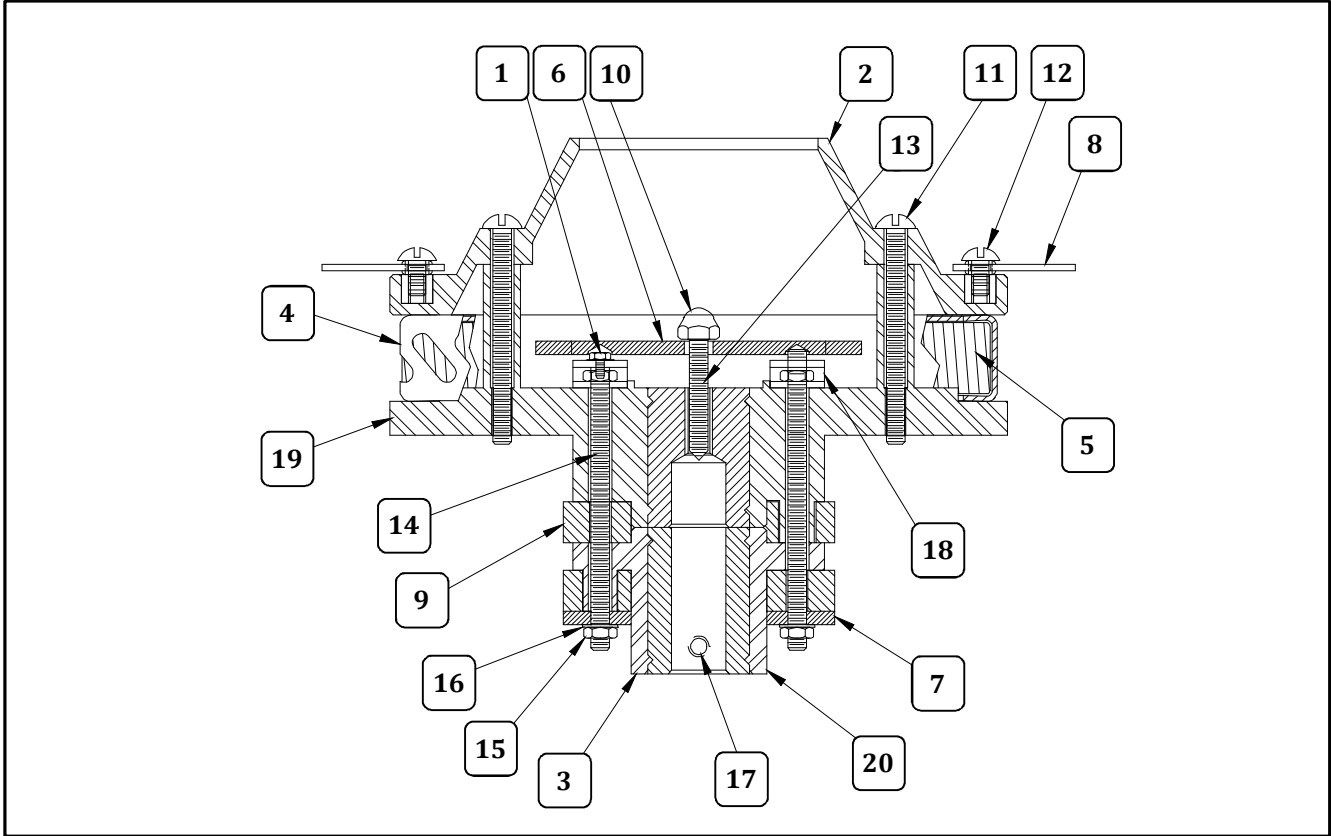
Item	Part Description	Qty.	Part Number			
			3017	3017SR	3017SS	3077 (3077C)
	SPINNER HEAD COMPLETE	1	42283	42283	42283	42561
1	8-32 x 1/4 HX HD WHIZLOCK	4	42045	42045	42045	42045
2	HIGH CAPACITY SPINNER CAP	1	43166	43166	43166	43166
3	SPINNER HEAD BOTTOM ONLY	1	42284	42284	42284	42284
4	5 1/2" FLOSS BAND	1	43165	43165	43165	
	5 1/2IN DBL FLOSS BAND	1				42517
5	5 IN RIBBON ASSY 11 OHMS	1	42251	42251	42251	
	3077/3015A RIBBON ASSY	2				42564
6	PHENOLIC TERMINAL GUARD	1	42162	42162	42162	42162
7	BOTTOM PHENOLIC WASHER	1	20054	20054	20054	20054
8	LEATHER FLOATER	2	20010	20010	20010	20010
9	SLIP RING 3/8 IN	2	42126	42126	42126	42126
10	ACORN NUT NYLON 1/4-20	1	48041	48041	48041	48041
11	10-24 X 2 PHIL PAN M/S	4	42041	42041	42041	
	10-24 X 2 3/4 PHIL PAN M/S	4				42199
12	SCREW 8-32X5/8 PH PAN MS	2	42192	42192	42192	42192
13	SET SCREW 1/4-20 X 2	1	42311	42311	42311	42311
14	SLIP RING STUDS	2	42127	42127	42127	42127
15	HEX NUT 10-32 ZINC PLATED	2	74143	74143	74143	74143
16	#10 INTERNAL TOOTH WASHER	2	12573	12573	12573	12573
17	SET SCREW 1/4-20 X 3/8	2	74125	74125	74125	74125
18	TERMINAL ASSEMBLY	2	42305	42305	42305	42305
19	UPPER SPINNER HEAD	1	42437	42437	42437	42437
20	LOWER SPINNER HEAD 1/2	1	42281	42281	42281	42281

## Floss Machine Head Assembly



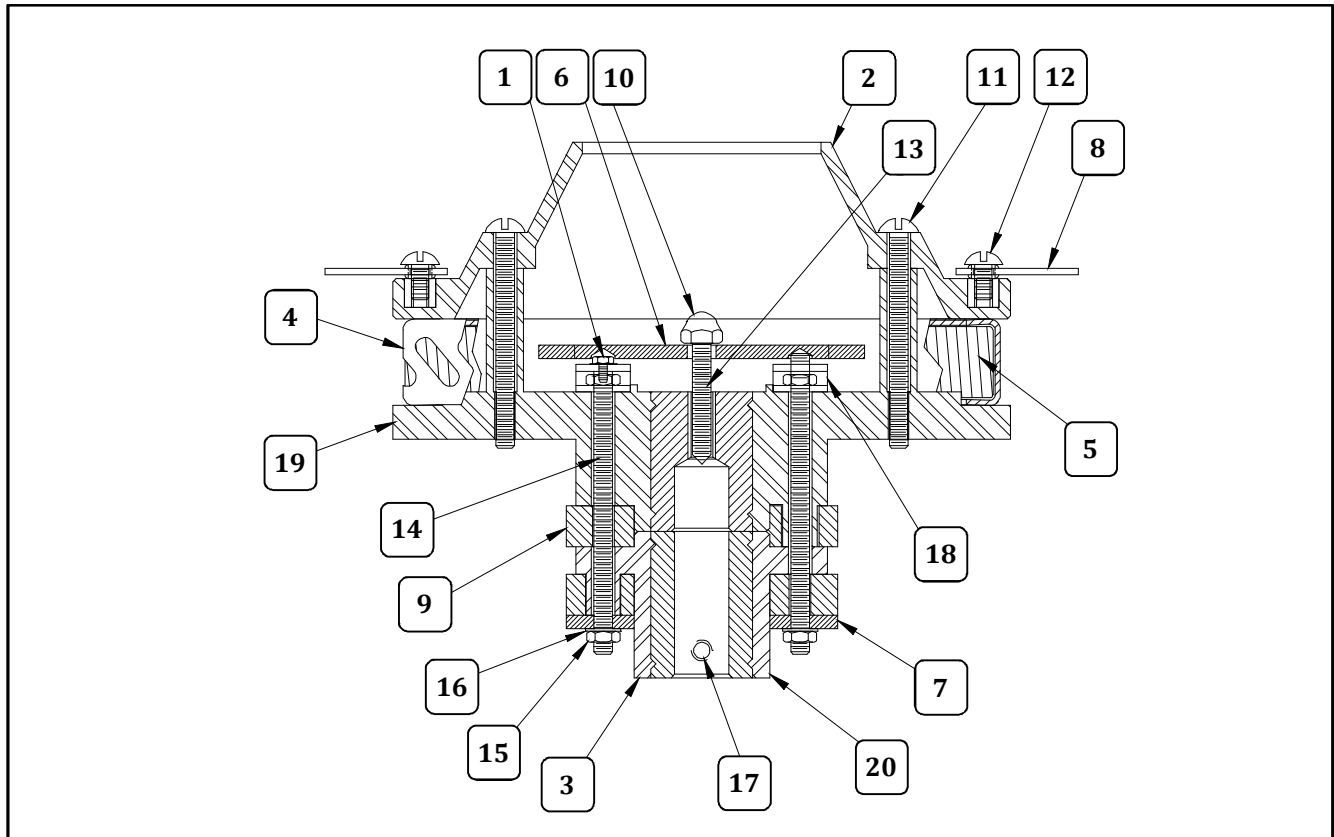
Item	Part Description	Qty.	Part Number			
			3017	3017SR	3017SS	3077 (3077C)
	SPINNER HEAD COMPLETE	1	42283	42283	42283	42561
1	8-32 x 1/4 HX HD WHIZLOCK	4	42045	42045	42045	42045
2	HIGH CAPACITY SPINNER CAP	1	43166	43166	43166	43166
3	SPINNER HEAD BOTTOM ONLY	1	42284	42284	42284	42284
4	5 1/2" FLOSS BAND	1	43165	43165	43165	
	5 1/2IN DBL FLOSS BAND	1				42517
5	5 IN RIBBON ASSY 11 OHMS	1	42251	42251	42251	
	3077/3015A RIBBON ASSY	2				42564
6	PHENOLIC TERMINAL GUARD	1	42162	42162	42162	42162
7	BOTTOM PHENOLIC WASHER	1	20054	20054	20054	20054
8	LEATHER FLOATER	2	20010	20010	20010	20010
9	SLIP RING 3/8 IN	2	42126	42126	42126	42126
10	ACORN NUT NYLON 1/4-20	1	48041	48041	48041	48041
11	10-24 X 2 PHIL PAN M/S	4	42041	42041	42041	
	10-24 X 2 3/4 PHIL PAN M/S	4				42199
12	SCREW 8-32X5/8 PH PAN MS	2	42192	42192	42192	42192
13	SET SCREW 1/4-20 X 2	1	42311	42311	42311	42311
14	SLIP RING STUDS	2	42127	42127	42127	42127
15	HEX NUT 10-32 ZINC PLATED	2	74143	74143	74143	74143
16	#10 INTERNAL TOOTH WASHER	2	12573	12573	12573	12573
17	SET SCREW 1/4-20 X 3/8	2	74125	74125	74125	74125
18	TERMINAL ASSEMBLY	2	42305	42305	42305	42305
19	UPPER SPINNER HEAD	1	42437	42437	42437	42437
20	LOWER SPINNER HEAD 1/2	1	42281	42281	42281	42281

## Floss Machine Head Assembly



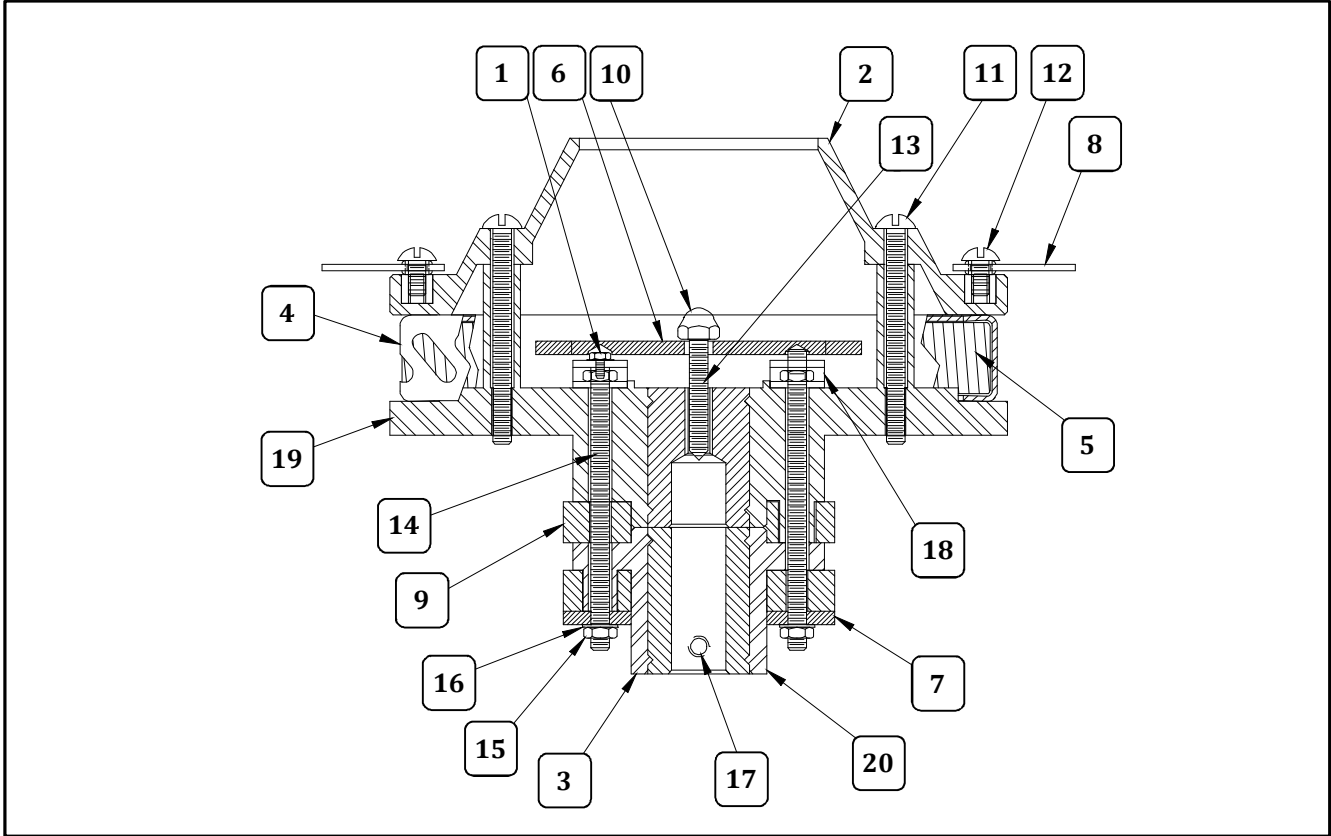
Item	Part Description	Qty.	Part Number			
			3017	3017SR	3017SS	3077 (3077C)
	SPINNER HEAD COMPLETE	1	42283	42283	42283	42561
1	8-32 x 1/4 HX HD WHIZLOCK	4	42045	42045	42045	42045
2	HIGH CAPACITY SPINNER CAP	1	43166	43166	43166	43166
3	SPINNER HEAD BOTTOM ONLY	1	42284	42284	42284	42284
4	5 1/2" FLOSS BAND	1	43165	43165	43165	
	5 1/2IN DBL FLOSS BAND	1				42517
5	5 IN RIBBON ASSY 11 OHMS	1	42251	42251	42251	
	3077/3015A RIBBON ASSY	2				42564
6	PHENOLIC TERMINAL GUARD	1	42162	42162	42162	42162
7	BOTTOM PHENOLIC WASHER	1	20054	20054	20054	20054
8	LEATHER FLOATER	2	20010	20010	20010	20010
9	SLIP RING 3/8 IN	2	42126	42126	42126	42126
10	ACORN NUT NYLON 1/4-20	1	48041	48041	48041	48041
11	10-24 X 2 PHIL PAN M/S	4	42041	42041	42041	
	10-24 X 2 3/4 PHIL PAN M/S	4				42199
12	SCREW 8-32X5/8 PH PAN MS	2	42192	42192	42192	42192
13	SET SCREW 1/4-20 X 2	1	42311	42311	42311	42311
14	SLIP RING STUDS	2	42127	42127	42127	42127
15	HEX NUT 10-32 ZINC PLATED	2	74143	74143	74143	74143
16	#10 INTERNAL TOOTH WASHER	2	12573	12573	12573	12573
17	SET SCREW 1/4-20 X 3/8	2	74125	74125	74125	74125
18	TERMINAL ASSEMBLY	2	42305	42305	42305	42305
19	UPPER SPINNER HEAD	1	42437	42437	42437	42437
20	LOWER SPINNER HEAD 1/2	1	42281	42281	42281	42281

## Floss Machine Head Assembly



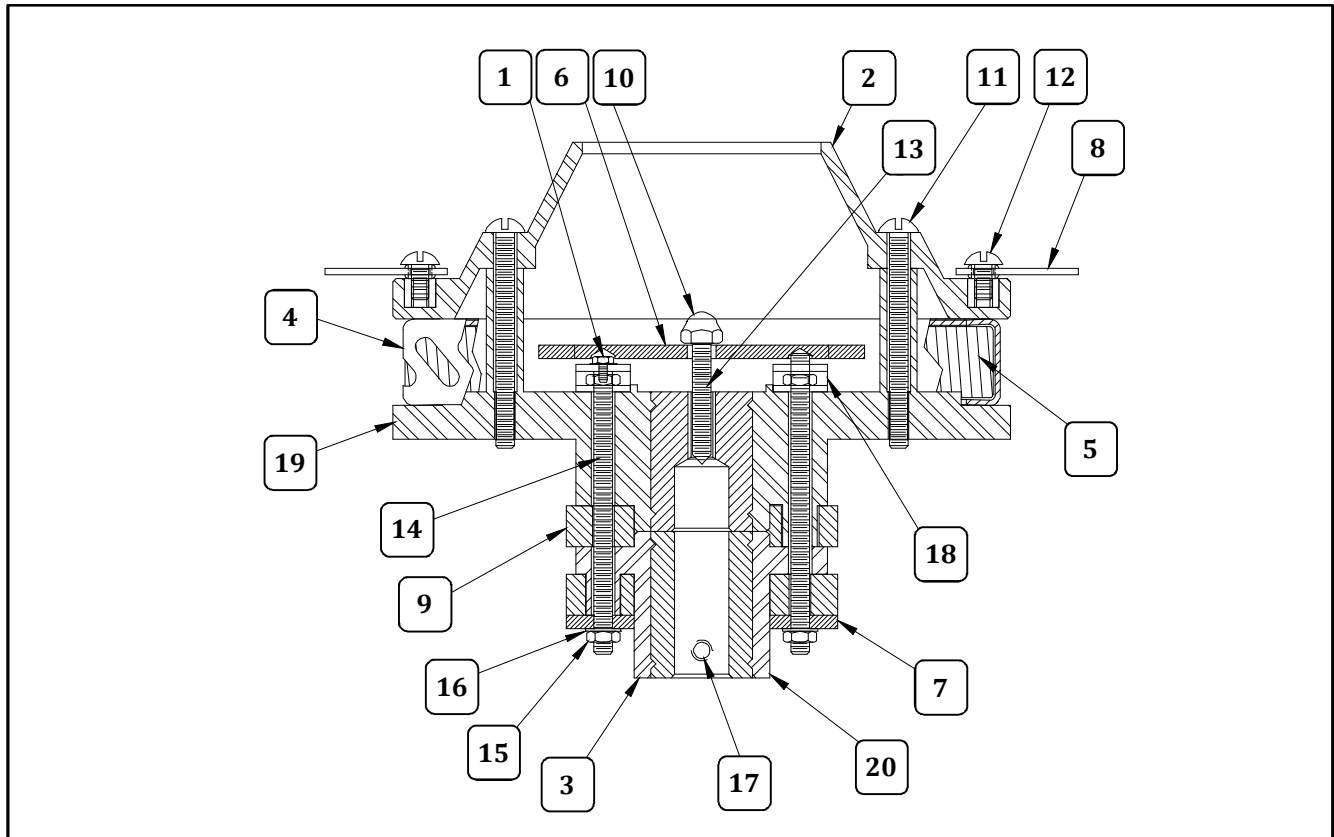
Item	Part Description	Qty.	Part Number			
			3017	3017SR	3017SS	3077 (3077C)
	SPINNER HEAD COMPLETE	1	42283	42283	42283	42561
1	8-32 x 1/4 HX HD WHIZLOCK	4	42045	42045	42045	42045
2	HIGH CAPACITY SPINNER CAP	1	43166	43166	43166	43166
3	SPINNER HEAD BOTTOM ONLY	1	42284	42284	42284	42284
4	5 1/2" FLOSS BAND	1	43165	43165	43165	
	5 1/2IN DBL FLOSS BAND	1				42517
5	5 IN RIBBON ASSY 11 OHMS	1	42251	42251	42251	
	3077/3015A RIBBON ASSY	2				42564
6	PHENOLIC TERMINAL GUARD	1	42162	42162	42162	42162
7	BOTTOM PHENOLIC WASHER	1	20054	20054	20054	20054
8	LEATHER FLOATER	2	20010	20010	20010	20010
9	SLIP RING 3/8 IN	2	42126	42126	42126	42126
10	ACORN NUT NYLON 1/4-20	1	48041	48041	48041	48041
11	10-24 X 2 PHIL PAN M/S	4	42041	42041	42041	
	10-24 X 2 3/4 PHIL PAN M/S	4				42199
12	SCREW 8-32X5/8 PH PAN MS	2	42192	42192	42192	42192
13	SET SCREW 1/4-20 X 2	1	42311	42311	42311	42311
14	SLIP RING STUDS	2	42127	42127	42127	42127
15	HEX NUT 10-32 ZINC PLATED	2	74143	74143	74143	74143
16	#10 INTERNAL TOOTH WASHER	2	12573	12573	12573	12573
17	SET SCREW 1/4-20 X 3/8	2	74125	74125	74125	74125
18	TERMINAL ASSEMBLY	2	42305	42305	42305	42305
19	UPPER SPINNER HEAD	1	42437	42437	42437	42437
20	LOWER SPINNER HEAD 1/2	1	42281	42281	42281	42281

## Floss Machine Head Assembly



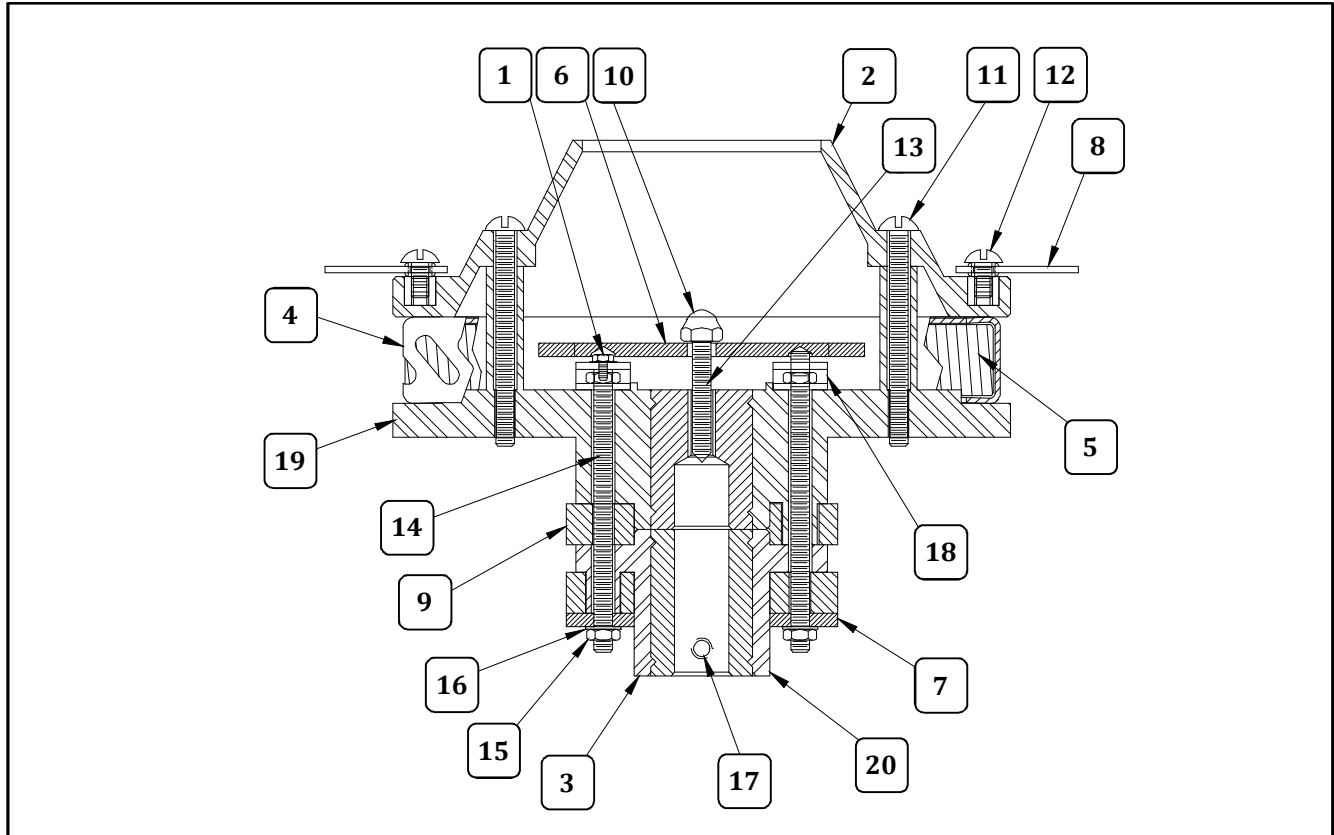
Item	Part Description	Qty.	Part Number			
			3017	3017SR	3017SS	3077 (3077C)
	SPINNER HEAD COMPLETE	1	42283	42283	42283	42561
1	8-32 x 1/4 HX HD WHIZLOCK	4	42045	42045	42045	42045
2	HIGH CAPACITY SPINNER CAP	1	43166	43166	43166	43166
3	SPINNER HEAD BOTTOM ONLY	1	42284	42284	42284	42284
4	5 1/2" FLOSS BAND	1	43165	43165	43165	
	5 1/2IN DBL FLOSS BAND	1				42517
5	5 IN RIBBON ASSY 11 OHMS	1	42251	42251	42251	
	3077/3015A RIBBON ASSY	2				42564
6	PHENOLIC TERMINAL GUARD	1	42162	42162	42162	42162
7	BOTTOM PHENOLIC WASHER	1	20054	20054	20054	20054
8	LEATHER FLOATER	2	20010	20010	20010	20010
9	SLIP RING 3/8 IN	2	42126	42126	42126	42126
10	ACORN NUT NYLON 1/4-20	1	48041	48041	48041	48041
11	10-24 X 2 PHIL PAN M/S	4	42041	42041	42041	
	10-24 X 2 3/4 PHIL PAN M/S	4				42199
12	SCREW 8-32X5/8 PH PAN MS	2	42192	42192	42192	42192
13	SET SCREW 1/4-20 X 2	1	42311	42311	42311	42311
14	SLIP RING STUDS	2	42127	42127	42127	42127
15	HEX NUT 10-32 ZINC PLATED	2	74143	74143	74143	74143
16	#10 INTERNAL TOOTH WASHER	2	12573	12573	12573	12573
17	SET SCREW 1/4-20 X 3/8	2	74125	74125	74125	74125
18	TERMINAL ASSEMBLY	2	42305	42305	42305	42305
19	UPPER SPINNER HEAD	1	42437	42437	42437	42437
20	LOWER SPINNER HEAD 1/2	1	42281	42281	42281	42281

## Floss Machine Head Assembly



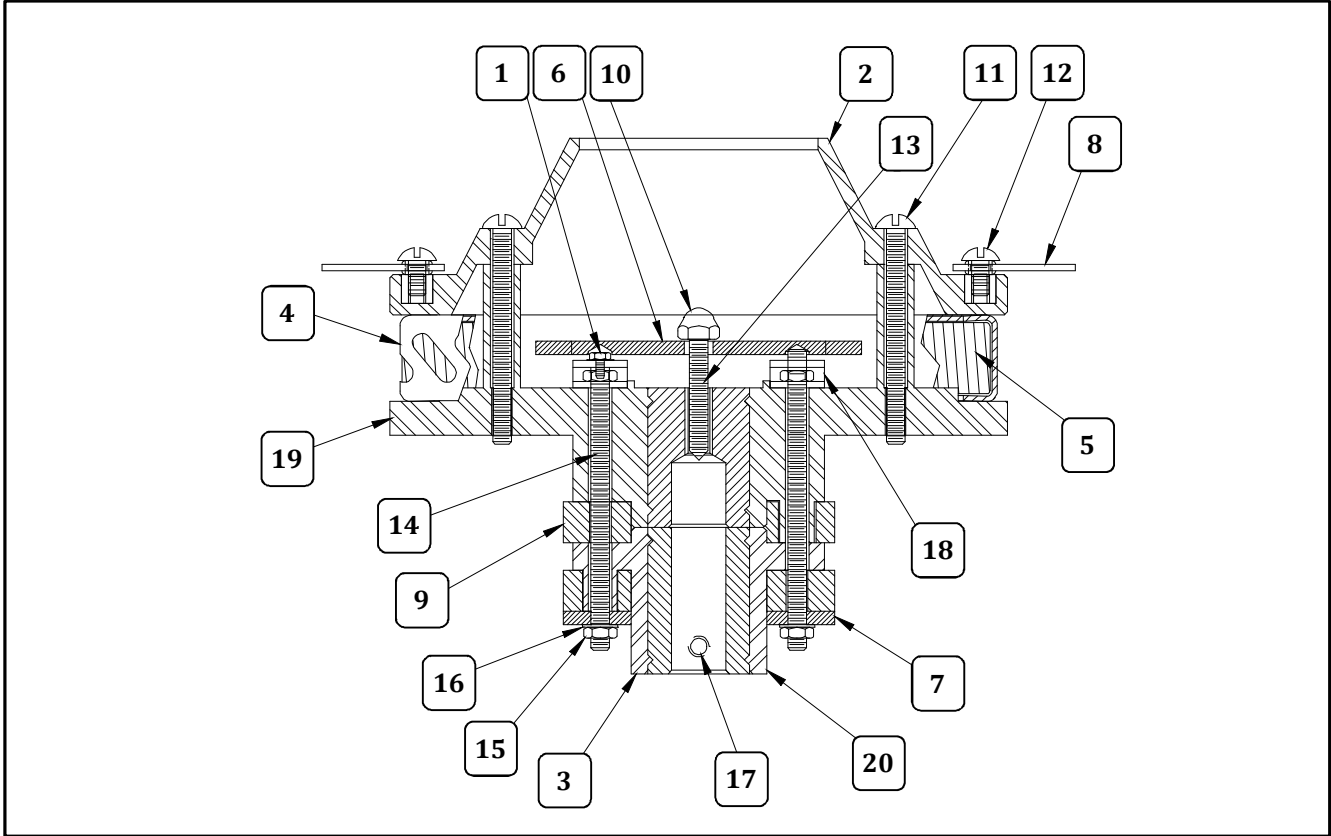
Item	Part Description	Qty.	Part Number			
			3017	3017SR	3017SS	3077 (3077C)
	SPINNER HEAD COMPLETE	1	42283	42283	42283	42561
1	8-32 x 1/4 HX HD WHIZLOCK	4	42045	42045	42045	42045
2	HIGH CAPACITY SPINNER CAP	1	43166	43166	43166	43166
3	SPINNER HEAD BOTTOM ONLY	1	42284	42284	42284	42284
4	5 1/2" FLOSS BAND	1	43165	43165	43165	
	5 1/2IN DBL FLOSS BAND	1				42517
5	5 IN RIBBON ASSY 11 OHMS	1	42251	42251	42251	
	3077/3015A RIBBON ASSY	2				42564
6	PHENOLIC TERMINAL GUARD	1	42162	42162	42162	42162
7	BOTTOM PHENOLIC WASHER	1	20054	20054	20054	20054
8	LEATHER FLOATER	2	20010	20010	20010	20010
9	SLIP RING 3/8 IN	2	42126	42126	42126	42126
10	ACORN NUT NYLON 1/4-20	1	48041	48041	48041	48041
11	10-24 X 2 PHIL PAN M/S	4	42041	42041	42041	
	10-24 X 2 3/4 PHIL PAN M/S	4				42199
12	SCREW 8-32X5/8 PH PAN MS	2	42192	42192	42192	42192
13	SET SCREW 1/4-20 X 2	1	42311	42311	42311	42311
14	SLIP RING STUDS	2	42127	42127	42127	42127
15	HEX NUT 10-32 ZINC PLATED	2	74143	74143	74143	74143
16	#10 INTERNAL TOOTH WASHER	2	12573	12573	12573	12573
17	SET SCREW 1/4-20 X 3/8	2	74125	74125	74125	74125
18	TERMINAL ASSEMBLY	2	42305	42305	42305	42305
19	UPPER SPINNER HEAD	1	42437	42437	42437	42437
20	LOWER SPINNER HEAD 1/2	1	42281	42281	42281	42281

## Floss Machine Head Assembly



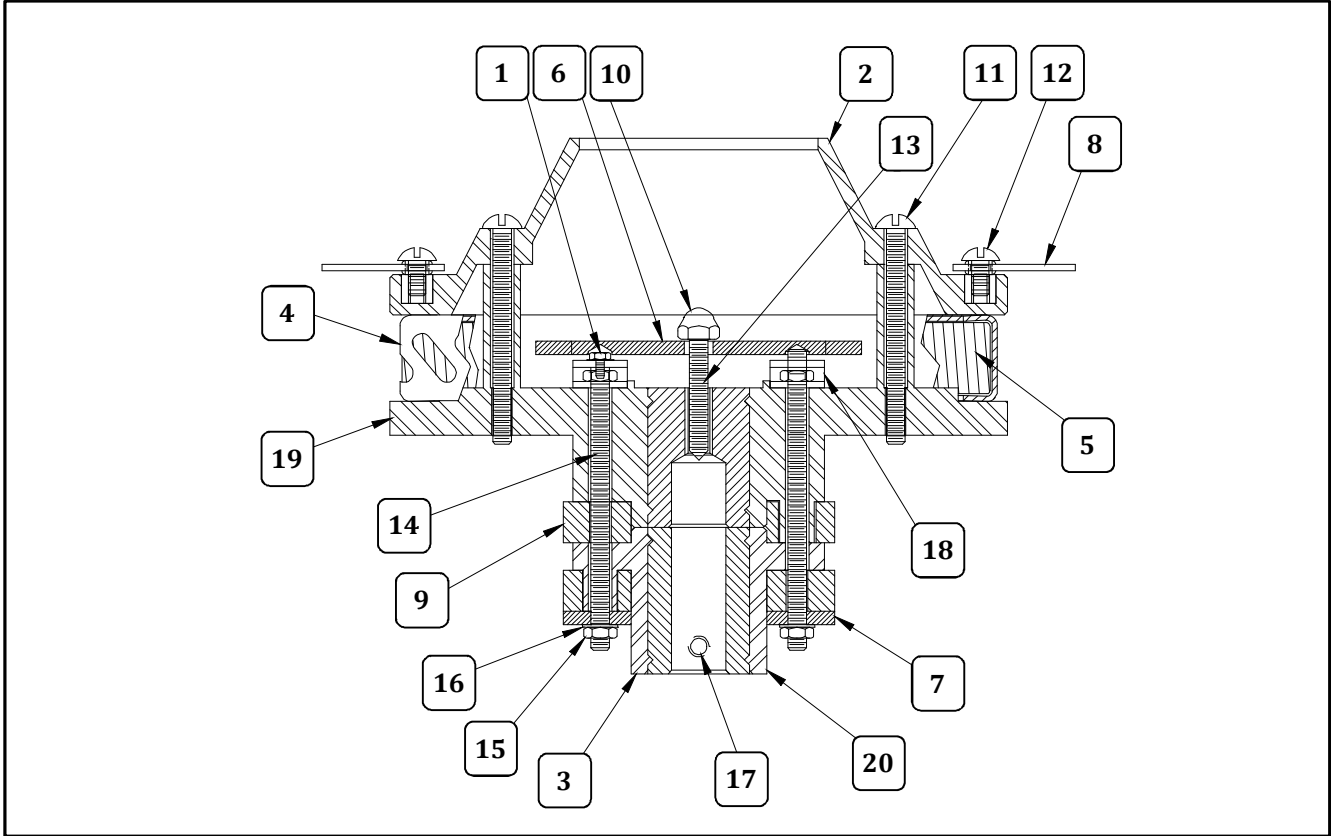
Item	Part Description	Qty.	Part Number			
			3017	3017SR	3017SS	3077 (3077C)
	SPINNER HEAD COMPLETE	1	42283	42283	42283	42561
1	8-32 x 1/4 HX HD WHIZLOCK	4	42045	42045	42045	42045
2	HIGH CAPACITY SPINNER CAP	1	43166	43166	43166	43166
3	SPINNER HEAD BOTTOM ONLY	1	42284	42284	42284	42284
4	5 1/2" FLOSS BAND	1	43165	43165	43165	
	5 1/2IN DBL FLOSS BAND	1				42517
5	5 IN RIBBON ASSY 11 OHMS	1	42251	42251	42251	
	3077/3015A RIBBON ASSY	2				42564
6	PHENOLIC TERMINAL GUARD	1	42162	42162	42162	42162
7	BOTTOM PHENOLIC WASHER	1	20054	20054	20054	20054
8	LEATHER FLOATER	2	20010	20010	20010	20010
9	SLIP RING 3/8 IN	2	42126	42126	42126	42126
10	ACORN NUT NYLON 1/4-20	1	48041	48041	48041	48041
11	10-24 X 2 PHIL PAN M/S	4	42041	42041	42041	
	10-24 X 2 3/4 PHIL PAN M/S	4				42199
12	SCREW 8-32X5/8 PH PAN MS	2	42192	42192	42192	42192
13	SET SCREW 1/4-20 X 2	1	42311	42311	42311	42311
14	SLIP RING STUDS	2	42127	42127	42127	42127
15	HEX NUT 10-32 ZINC PLATED	2	74143	74143	74143	74143
16	#10 INTERNAL TOOTH WASHER	2	12573	12573	12573	12573
17	SET SCREW 1/4-20 X 3/8	2	74125	74125	74125	74125
18	TERMINAL ASSEMBLY	2	42305	42305	42305	42305
19	UPPER SPINNER HEAD	1	42437	42437	42437	42437
20	LOWER SPINNER HEAD 1/2	1	42281	42281	42281	42281

## Floss Machine Head Assembly



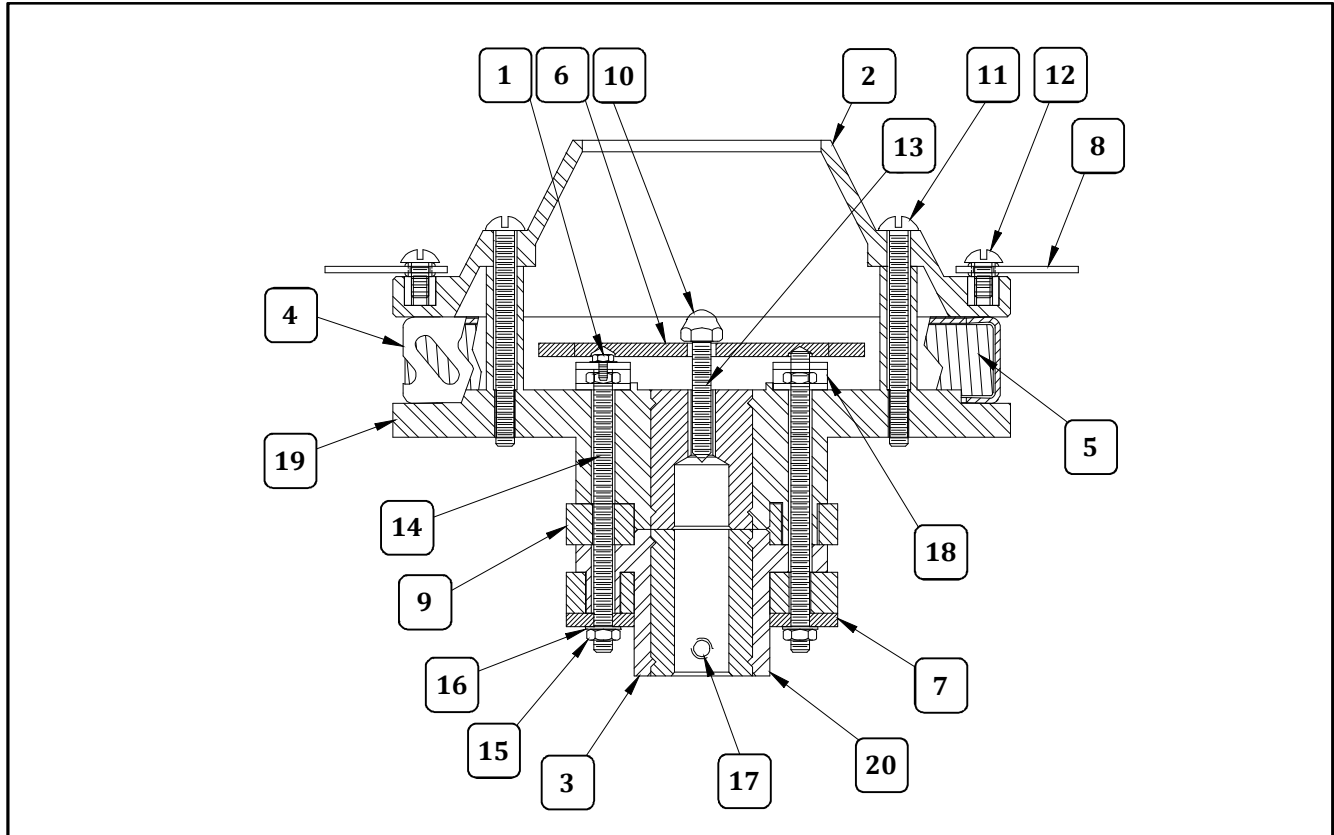
Item	Part Description	Qty.	Part Number			
			3017	3017SR	3017SS	3077 (3077C)
	SPINNER HEAD COMPLETE	1	42283	42283	42283	42561
1	8-32 x 1/4 HX HD WHIZLOCK	4	42045	42045	42045	42045
2	HIGH CAPACITY SPINNER CAP	1	43166	43166	43166	43166
3	SPINNER HEAD BOTTOM ONLY	1	42284	42284	42284	42284
4	5 1/2" FLOSS BAND	1	43165	43165	43165	
	5 1/2IN DBL FLOSS BAND	1				42517
5	5 IN RIBBON ASSY 11 OHMS	1	42251	42251	42251	
	3077/3015A RIBBON ASSY	2				42564
6	PHENOLIC TERMINAL GUARD	1	42162	42162	42162	42162
7	BOTTOM PHENOLIC WASHER	1	20054	20054	20054	20054
8	LEATHER FLOATER	2	20010	20010	20010	20010
9	SLIP RING 3/8 IN	2	42126	42126	42126	42126
10	ACORN NUT NYLON 1/4-20	1	48041	48041	48041	48041
11	10-24 X 2 PHIL PAN M/S	4	42041	42041	42041	
	10-24 X 2 3/4 PHIL PAN M/S	4				42199
12	SCREW 8-32X5/8 PH PAN MS	2	42192	42192	42192	42192
13	SET SCREW 1/4-20 X 2	1	42311	42311	42311	42311
14	SLIP RING STUDS	2	42127	42127	42127	42127
15	HEX NUT 10-32 ZINC PLATED	2	74143	74143	74143	74143
16	#10 INTERNAL TOOTH WASHER	2	12573	12573	12573	12573
17	SET SCREW 1/4-20 X 3/8	2	74125	74125	74125	74125
18	TERMINAL ASSEMBLY	2	42305	42305	42305	42305
19	UPPER SPINNER HEAD	1	42437	42437	42437	42437
20	LOWER SPINNER HEAD 1/2	1	42281	42281	42281	42281

## Floss Machine Head Assembly



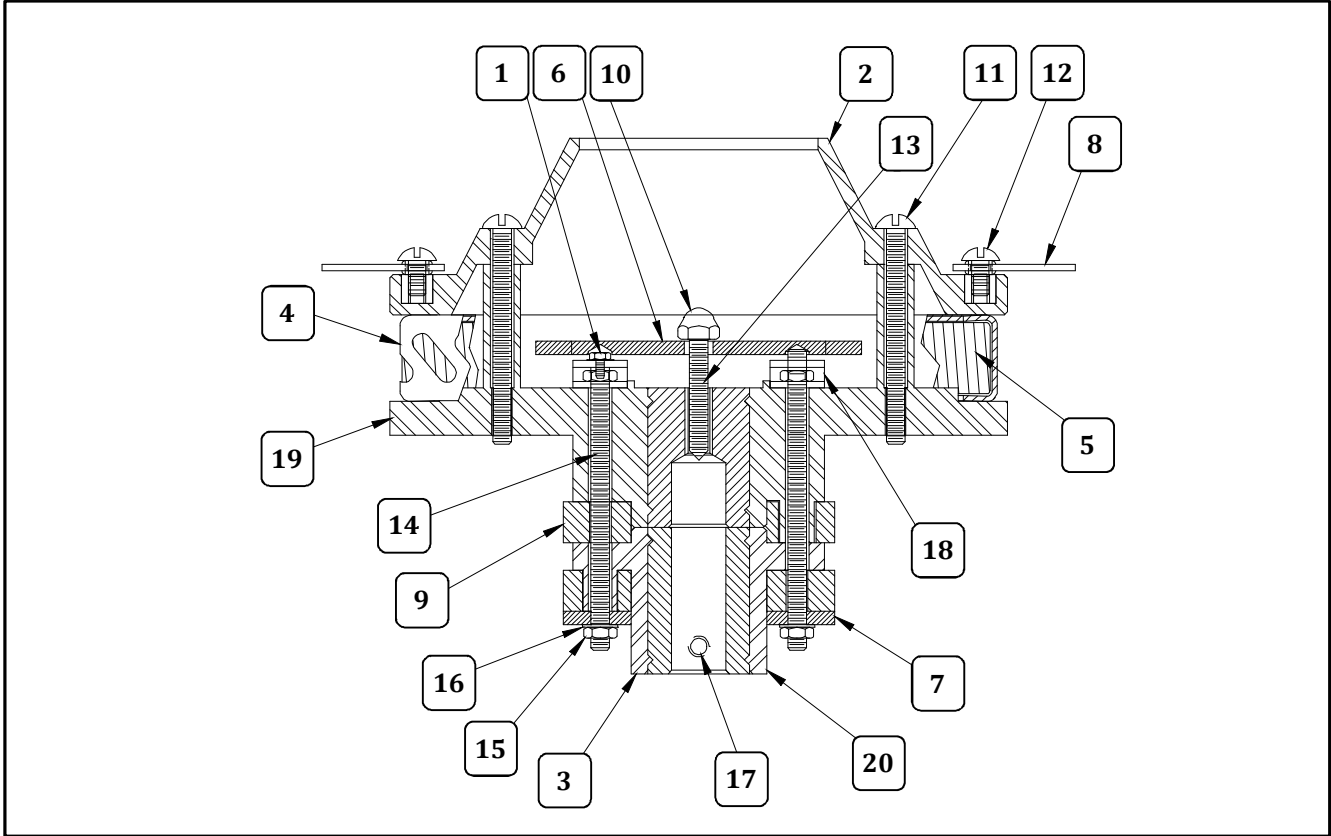
Item	Part Description	Qty.	Part Number			
			3017	3017SR	3017SS	3077 (3077C)
	SPINNER HEAD COMPLETE	1	42283	42283	42283	42561
1	8-32 x 1/4 HX HD WHIZLOCK	4	42045	42045	42045	42045
2	HIGH CAPACITY SPINNER CAP	1	43166	43166	43166	43166
3	SPINNER HEAD BOTTOM ONLY	1	42284	42284	42284	42284
4	5 1/2" FLOSS BAND	1	43165	43165	43165	
	5 1/2IN DBL FLOSS BAND	1				42517
5	5 IN RIBBON ASSY 11 OHMS	1	42251	42251	42251	
	3077/3015A RIBBON ASSY	2				42564
6	PHENOLIC TERMINAL GUARD	1	42162	42162	42162	42162
7	BOTTOM PHENOLIC WASHER	1	20054	20054	20054	20054
8	LEATHER FLOATER	2	20010	20010	20010	20010
9	SLIP RING 3/8 IN	2	42126	42126	42126	42126
10	ACORN NUT NYLON 1/4-20	1	48041	48041	48041	48041
11	10-24 X 2 PHIL PAN M/S	4	42041	42041	42041	
	10-24 X 2 3/4 PHIL PAN M/S	4				42199
12	SCREW 8-32X5/8 PH PAN MS	2	42192	42192	42192	42192
13	SET SCREW 1/4-20 X 2	1	42311	42311	42311	42311
14	SLIP RING STUDS	2	42127	42127	42127	42127
15	HEX NUT 10-32 ZINC PLATED	2	74143	74143	74143	74143
16	#10 INTERNAL TOOTH WASHER	2	12573	12573	12573	12573
17	SET SCREW 1/4-20 X 3/8	2	74125	74125	74125	74125
18	TERMINAL ASSEMBLY	2	42305	42305	42305	42305
19	UPPER SPINNER HEAD	1	42437	42437	42437	42437
20	LOWER SPINNER HEAD 1/2	1	42281	42281	42281	42281

## Floss Machine Head Assembly



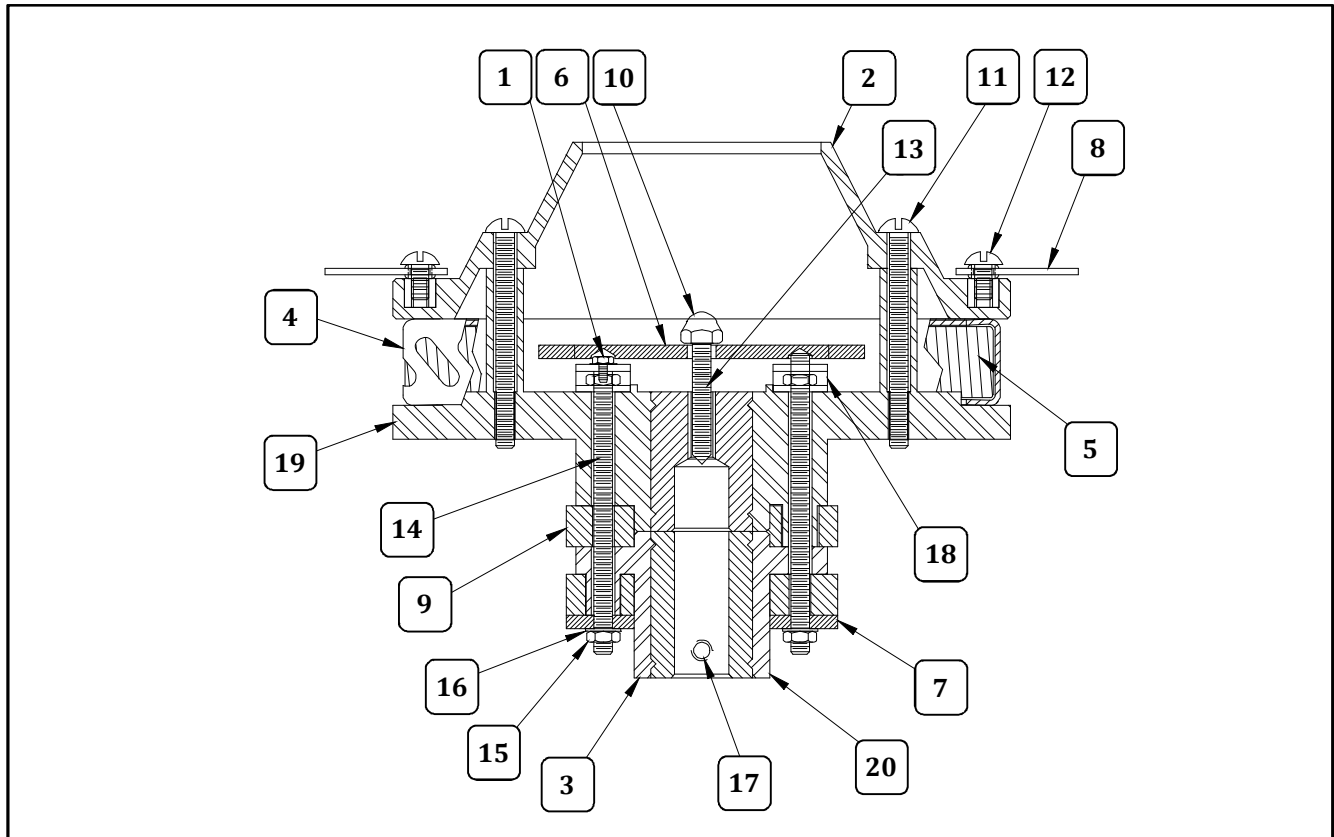
Item	Part Description	Qty.	Part Number			
			3017	3017SR	3017SS	3077 (3077C)
	SPINNER HEAD COMPLETE	1	42283	42283	42283	42561
1	8-32 x 1/4 HX HD WHIZLOCK	4	42045	42045	42045	42045
2	HIGH CAPACITY SPINNER CAP	1	43166	43166	43166	43166
3	SPINNER HEAD BOTTOM ONLY	1	42284	42284	42284	42284
4	5 1/2" FLOSS BAND	1	43165	43165	43165	
	5 1/2IN DBL FLOSS BAND	1				42517
5	5 IN RIBBON ASSY 11 OHMS	1	42251	42251	42251	
	3077/3015A RIBBON ASSY	2				42564
6	PHENOLIC TERMINAL GUARD	1	42162	42162	42162	42162
7	BOTTOM PHENOLIC WASHER	1	20054	20054	20054	20054
8	LEATHER FLOATER	2	20010	20010	20010	20010
9	SLIP RING 3/8 IN	2	42126	42126	42126	42126
10	ACORN NUT NYLON 1/4-20	1	48041	48041	48041	48041
11	10-24 X 2 PHIL PAN M/S	4	42041	42041	42041	
	10-24 X 2 3/4 PHIL PAN M/S	4				42199
12	SCREW 8-32X5/8 PH PAN MS	2	42192	42192	42192	42192
13	SET SCREW 1/4-20 X 2	1	42311	42311	42311	42311
14	SLIP RING STUDS	2	42127	42127	42127	42127
15	HEX NUT 10-32 ZINC PLATED	2	74143	74143	74143	74143
16	#10 INTERNAL TOOTH WASHER	2	12573	12573	12573	12573
17	SET SCREW 1/4-20 X 3/8	2	74125	74125	74125	74125
18	TERMINAL ASSEMBLY	2	42305	42305	42305	42305
19	UPPER SPINNER HEAD	1	42437	42437	42437	42437
20	LOWER SPINNER HEAD 1/2	1	42281	42281	42281	42281

## Floss Machine Head Assembly



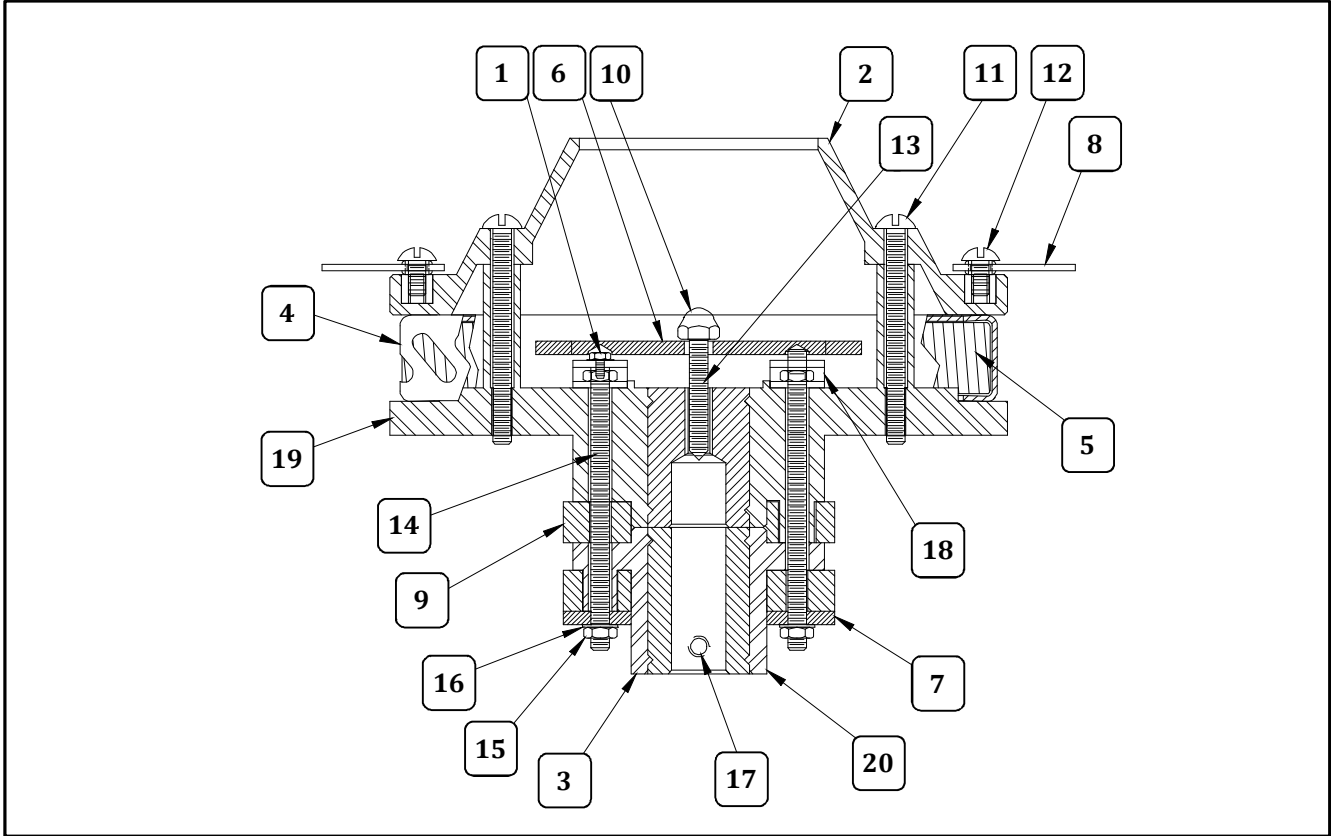
Item	Part Description	Qty.	Part Number			
			3017	3017SR	3017SS	3077 (3077C)
	SPINNER HEAD COMPLETE	1	42283	42283	42283	42561
1	8-32 x 1/4 HX HD WHIZLOCK	4	42045	42045	42045	42045
2	HIGH CAPACITY SPINNER CAP	1	43166	43166	43166	43166
3	SPINNER HEAD BOTTOM ONLY	1	42284	42284	42284	42284
4	5 1/2" FLOSS BAND	1	43165	43165	43165	
	5 1/2IN DBL FLOSS BAND	1				42517
5	5 IN RIBBON ASSY 11 OHMS	1	42251	42251	42251	
	3077/3015A RIBBON ASSY	2				42564
6	PHENOLIC TERMINAL GUARD	1	42162	42162	42162	42162
7	BOTTOM PHENOLIC WASHER	1	20054	20054	20054	20054
8	LEATHER FLOATER	2	20010	20010	20010	20010
9	SLIP RING 3/8 IN	2	42126	42126	42126	42126
10	ACORN NUT NYLON 1/4-20	1	48041	48041	48041	48041
11	10-24 X 2 PHIL PAN M/S	4	42041	42041	42041	
	10-24 X 2 3/4 PHIL PAN M/S	4				42199
12	SCREW 8-32X5/8 PH PAN MS	2	42192	42192	42192	42192
13	SET SCREW 1/4-20 X 2	1	42311	42311	42311	42311
14	SLIP RING STUDS	2	42127	42127	42127	42127
15	HEX NUT 10-32 ZINC PLATED	2	74143	74143	74143	74143
16	#10 INTERNAL TOOTH WASHER	2	12573	12573	12573	12573
17	SET SCREW 1/4-20 X 3/8	2	74125	74125	74125	74125
18	TERMINAL ASSEMBLY	2	42305	42305	42305	42305
19	UPPER SPINNER HEAD	1	42437	42437	42437	42437
20	LOWER SPINNER HEAD 1/2	1	42281	42281	42281	42281

## Floss Machine Head Assembly



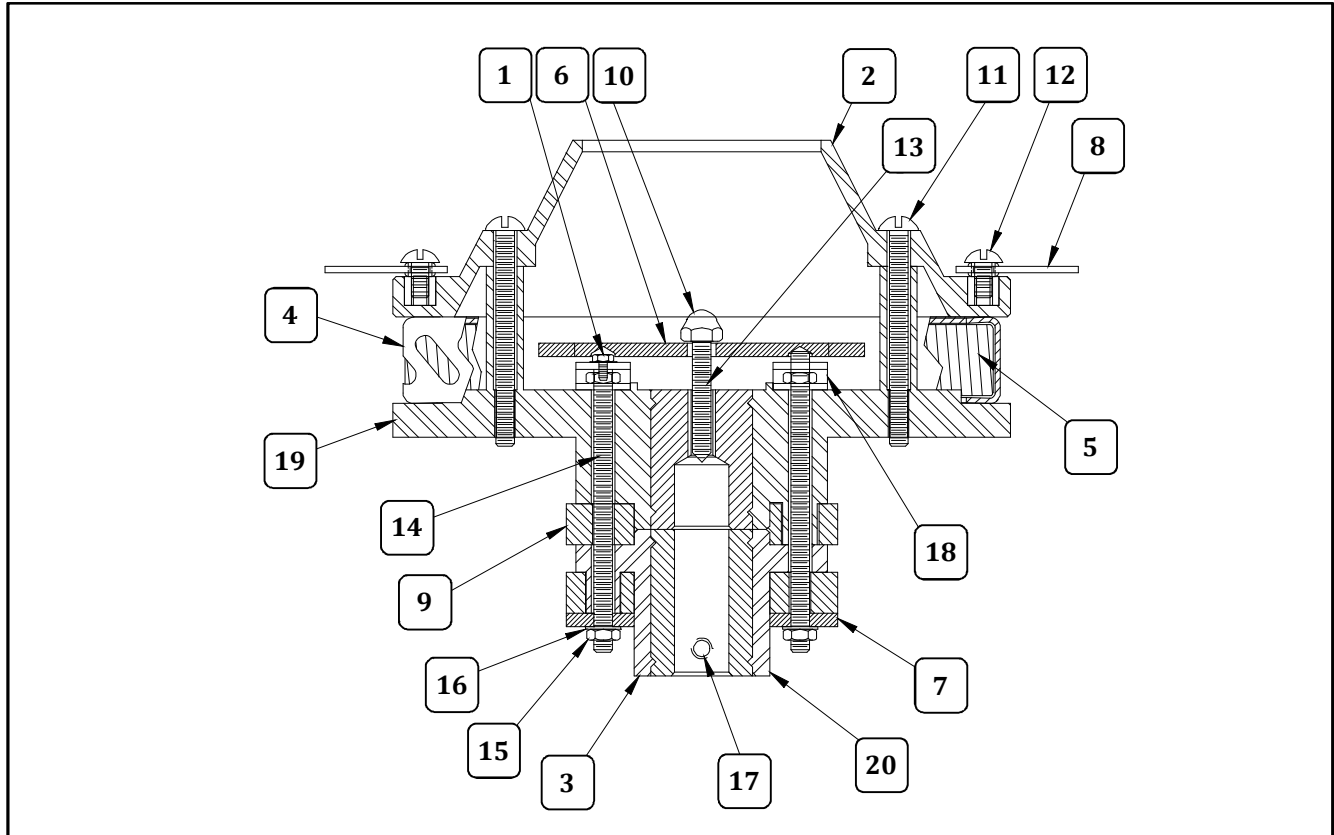
Item	Part Description	Qty.	Part Number			
			3017	3017SR	3017SS	3077 (3077C)
	SPINNER HEAD COMPLETE	1	42283	42283	42283	42561
1	8-32 x 1/4 HX HD WHIZLOCK	4	42045	42045	42045	42045
2	HIGH CAPACITY SPINNER CAP	1	43166	43166	43166	43166
3	SPINNER HEAD BOTTOM ONLY	1	42284	42284	42284	42284
4	5 1/2" FLOSS BAND	1	43165	43165	43165	
	5 1/2IN DBL FLOSS BAND	1				42517
5	5 IN RIBBON ASSY 11 OHMS	1	42251	42251	42251	
	3077/3015A RIBBON ASSY	2				42564
6	PHENOLIC TERMINAL GUARD	1	42162	42162	42162	42162
7	BOTTOM PHENOLIC WASHER	1	20054	20054	20054	20054
8	LEATHER FLOATER	2	20010	20010	20010	20010
9	SLIP RING 3/8 IN	2	42126	42126	42126	42126
10	ACORN NUT NYLON 1/4-20	1	48041	48041	48041	48041
11	10-24 X 2 PHIL PAN M/S	4	42041	42041	42041	
	10-24 X 2 3/4 PHIL PAN M/S	4				42199
12	SCREW 8-32X5/8 PH PAN MS	2	42192	42192	42192	42192
13	SET SCREW 1/4-20 X 2	1	42311	42311	42311	42311
14	SLIP RING STUDS	2	42127	42127	42127	42127
15	HEX NUT 10-32 ZINC PLATED	2	74143	74143	74143	74143
16	#10 INTERNAL TOOTH WASHER	2	12573	12573	12573	12573
17	SET SCREW 1/4-20 X 3/8	2	74125	74125	74125	74125
18	TERMINAL ASSEMBLY	2	42305	42305	42305	42305
19	UPPER SPINNER HEAD	1	42437	42437	42437	42437
20	LOWER SPINNER HEAD 1/2	1	42281	42281	42281	42281

## Floss Machine Head Assembly



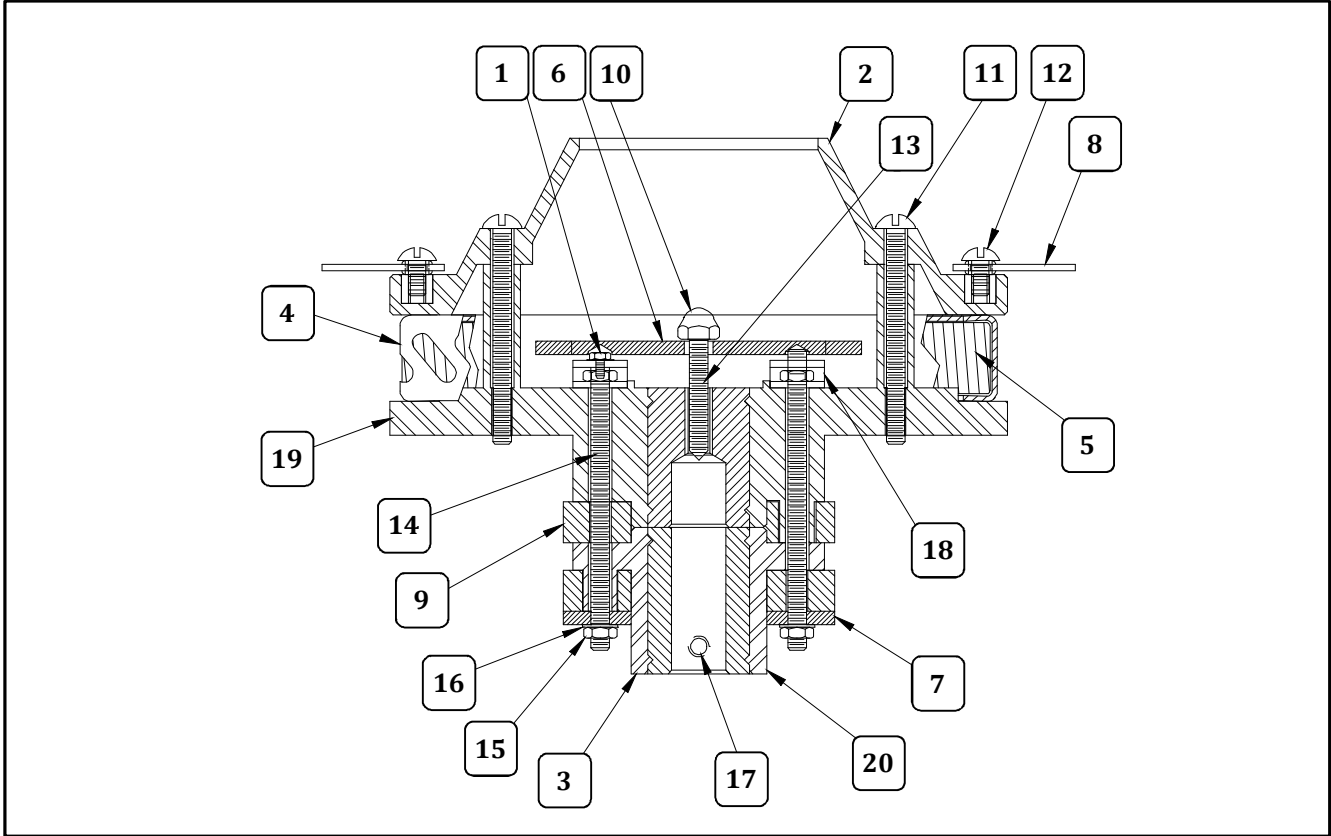
Item	Part Description	Qty.	Part Number			
			3017	3017SR	3017SS	3077 (3077C)
	SPINNER HEAD COMPLETE	1	42283	42283	42283	42561
1	8-32 x 1/4 HX HD WHIZLOCK	4	42045	42045	42045	42045
2	HIGH CAPACITY SPINNER CAP	1	43166	43166	43166	43166
3	SPINNER HEAD BOTTOM ONLY	1	42284	42284	42284	42284
4	5 1/2" FLOSS BAND	1	43165	43165	43165	
	5 1/2IN DBL FLOSS BAND	1				42517
5	5 IN RIBBON ASSY 11 OHMS	1	42251	42251	42251	
	3077/3015A RIBBON ASSY	2				42564
6	PHENOLIC TERMINAL GUARD	1	42162	42162	42162	42162
7	BOTTOM PHENOLIC WASHER	1	20054	20054	20054	20054
8	LEATHER FLOATER	2	20010	20010	20010	20010
9	SLIP RING 3/8 IN	2	42126	42126	42126	42126
10	ACORN NUT NYLON 1/4-20	1	48041	48041	48041	48041
11	10-24 X 2 PHIL PAN M/S	4	42041	42041	42041	
	10-24 X 2 3/4 PHIL PAN M/S	4				42199
12	SCREW 8-32X5/8 PH PAN MS	2	42192	42192	42192	42192
13	SET SCREW 1/4-20 X 2	1	42311	42311	42311	42311
14	SLIP RING STUDS	2	42127	42127	42127	42127
15	HEX NUT 10-32 ZINC PLATED	2	74143	74143	74143	74143
16	#10 INTERNAL TOOTH WASHER	2	12573	12573	12573	12573
17	SET SCREW 1/4-20 X 3/8	2	74125	74125	74125	74125
18	TERMINAL ASSEMBLY	2	42305	42305	42305	42305
19	UPPER SPINNER HEAD	1	42437	42437	42437	42437
20	LOWER SPINNER HEAD 1/2	1	42281	42281	42281	42281

## Floss Machine Head Assembly



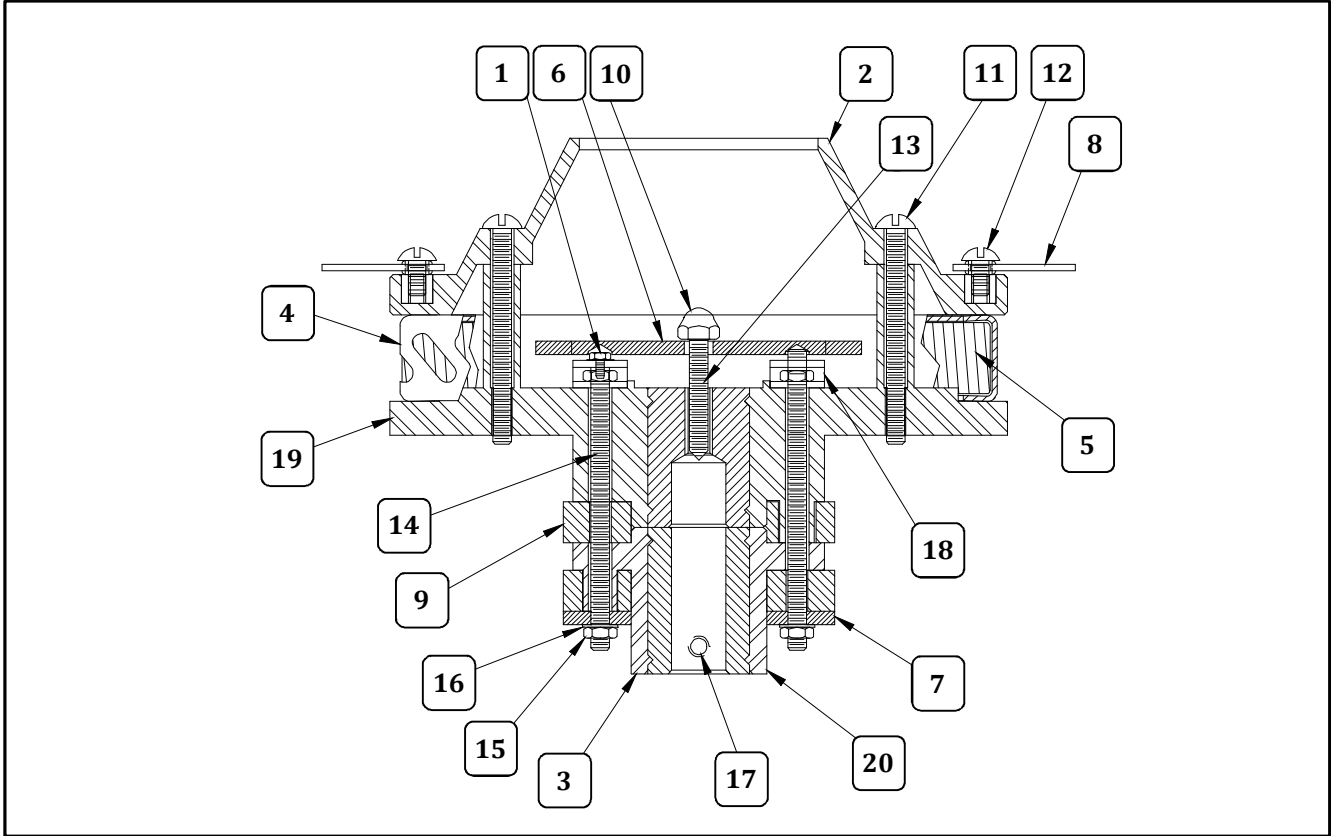
Item	Part Description	Qty.	Part Number			
			3017	3017SR	3017SS	3077 (3077C)
	SPINNER HEAD COMPLETE	1	42283	42283	42283	42561
1	8-32 x 1/4 HX HD WHIZLOCK	4	42045	42045	42045	42045
2	HIGH CAPACITY SPINNER CAP	1	43166	43166	43166	43166
3	SPINNER HEAD BOTTOM ONLY	1	42284	42284	42284	42284
4	5 1/2" FLOSS BAND	1	43165	43165	43165	
	5 1/2IN DBL FLOSS BAND	1				42517
5	5 IN RIBBON ASSY 11 OHMS	1	42251	42251	42251	
	3077/3015A RIBBON ASSY	2				42564
6	PHENOLIC TERMINAL GUARD	1	42162	42162	42162	42162
7	BOTTOM PHENOLIC WASHER	1	20054	20054	20054	20054
8	LEATHER FLOATER	2	20010	20010	20010	20010
9	SLIP RING 3/8 IN	2	42126	42126	42126	42126
10	ACORN NUT NYLON 1/4-20	1	48041	48041	48041	48041
11	10-24 X 2 PHIL PAN M/S	4	42041	42041	42041	
	10-24 X 2 3/4 PHIL PAN M/S	4				42199
12	SCREW 8-32X5/8 PH PAN MS	2	42192	42192	42192	42192
13	SET SCREW 1/4-20 X 2	1	42311	42311	42311	42311
14	SLIP RING STUDS	2	42127	42127	42127	42127
15	HEX NUT 10-32 ZINC PLATED	2	74143	74143	74143	74143
16	#10 INTERNAL TOOTH WASHER	2	12573	12573	12573	12573
17	SET SCREW 1/4-20 X 3/8	2	74125	74125	74125	74125
18	TERMINAL ASSEMBLY	2	42305	42305	42305	42305
19	UPPER SPINNER HEAD	1	42437	42437	42437	42437
20	LOWER SPINNER HEAD 1/2	1	42281	42281	42281	42281

## Floss Machine Head Assembly



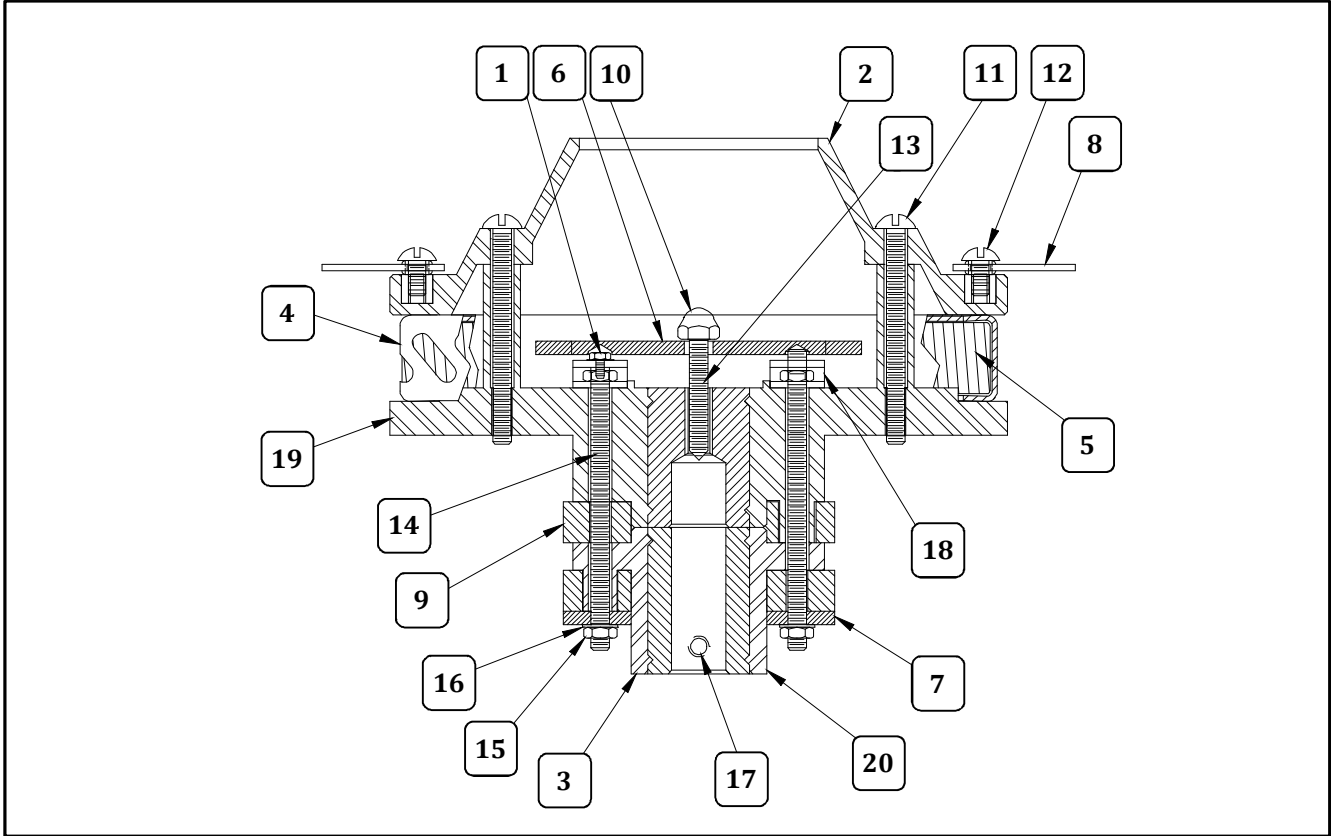
Item	Part Description	Qty.	Part Number			
			3017	3017SR	3017SS	3077 (3077C)
	SPINNER HEAD COMPLETE	1	42283	42283	42283	42561
1	8-32 x 1/4 HX HD WHIZLOCK	4	42045	42045	42045	42045
2	HIGH CAPACITY SPINNER CAP	1	43166	43166	43166	43166
3	SPINNER HEAD BOTTOM ONLY	1	42284	42284	42284	42284
4	5 1/2" FLOSS BAND	1	43165	43165	43165	
	5 1/2IN DBL FLOSS BAND	1				42517
5	5 IN RIBBON ASSY 11 OHMS	1	42251	42251	42251	
	3077/3015A RIBBON ASSY	2				42564
6	PHENOLIC TERMINAL GUARD	1	42162	42162	42162	42162
7	BOTTOM PHENOLIC WASHER	1	20054	20054	20054	20054
8	LEATHER FLOATER	2	20010	20010	20010	20010
9	SLIP RING 3/8 IN	2	42126	42126	42126	42126
10	ACORN NUT NYLON 1/4-20	1	48041	48041	48041	48041
11	10-24 X 2 PHIL PAN M/S	4	42041	42041	42041	
	10-24 X 2 3/4 PHIL PAN M/S	4				42199
12	SCREW 8-32X5/8 PH PAN MS	2	42192	42192	42192	42192
13	SET SCREW 1/4-20 X 2	1	42311	42311	42311	42311
14	SLIP RING STUDS	2	42127	42127	42127	42127
15	HEX NUT 10-32 ZINC PLATED	2	74143	74143	74143	74143
16	#10 INTERNAL TOOTH WASHER	2	12573	12573	12573	12573
17	SET SCREW 1/4-20 X 3/8	2	74125	74125	74125	74125
18	TERMINAL ASSEMBLY	2	42305	42305	42305	42305
19	UPPER SPINNER HEAD	1	42437	42437	42437	42437
20	LOWER SPINNER HEAD 1/2	1	42281	42281	42281	42281

## Floss Machine Head Assembly



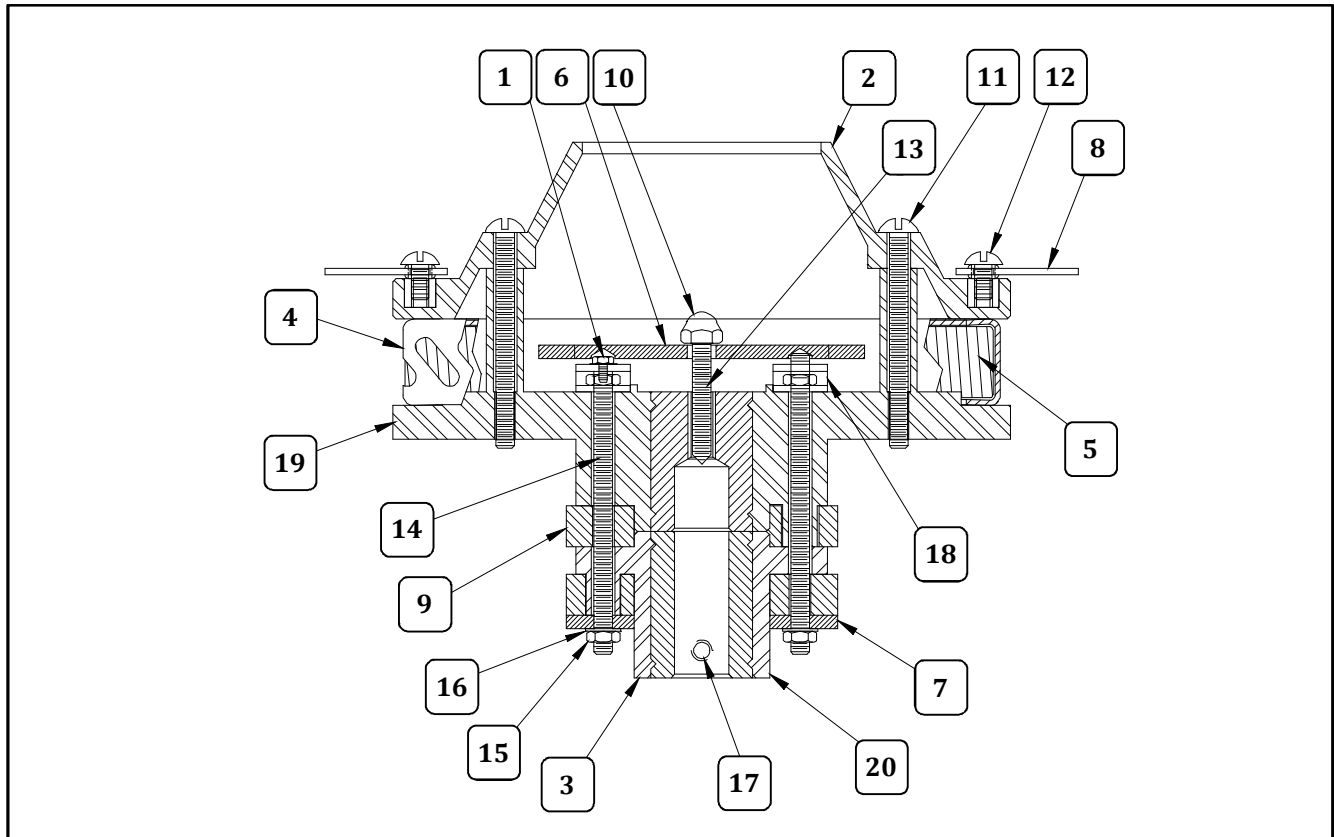
Item	Part Description	Qty.	Part Number			
			3017	3017SR	3017SS	3077 (3077C)
	SPINNER HEAD COMPLETE	1	42283	42283	42283	42561
1	8-32 x 1/4 HX HD WHIZLOCK	4	42045	42045	42045	42045
2	HIGH CAPACITY SPINNER CAP	1	43166	43166	43166	43166
3	SPINNER HEAD BOTTOM ONLY	1	42284	42284	42284	42284
4	5 1/2" FLOSS BAND	1	43165	43165	43165	
	5 1/2IN DBL FLOSS BAND	1				42517
5	5 IN RIBBON ASSY 11 OHMS	1	42251	42251	42251	
	3077/3015A RIBBON ASSY	2				42564
6	PHENOLIC TERMINAL GUARD	1	42162	42162	42162	42162
7	BOTTOM PHENOLIC WASHER	1	20054	20054	20054	20054
8	LEATHER FLOATER	2	20010	20010	20010	20010
9	SLIP RING 3/8 IN	2	42126	42126	42126	42126
10	ACORN NUT NYLON 1/4-20	1	48041	48041	48041	48041
11	10-24 X 2 PHIL PAN M/S	4	42041	42041	42041	
	10-24 X 2 3/4 PHIL PAN M/S	4				42199
12	SCREW 8-32X5/8 PH PAN MS	2	42192	42192	42192	42192
13	SET SCREW 1/4-20 X 2	1	42311	42311	42311	42311
14	SLIP RING STUDS	2	42127	42127	42127	42127
15	HEX NUT 10-32 ZINC PLATED	2	74143	74143	74143	74143
16	#10 INTERNAL TOOTH WASHER	2	12573	12573	12573	12573
17	SET SCREW 1/4-20 X 3/8	2	74125	74125	74125	74125
18	TERMINAL ASSEMBLY	2	42305	42305	42305	42305
19	UPPER SPINNER HEAD	1	42437	42437	42437	42437
20	LOWER SPINNER HEAD 1/2	1	42281	42281	42281	42281

## Floss Machine Head Assembly



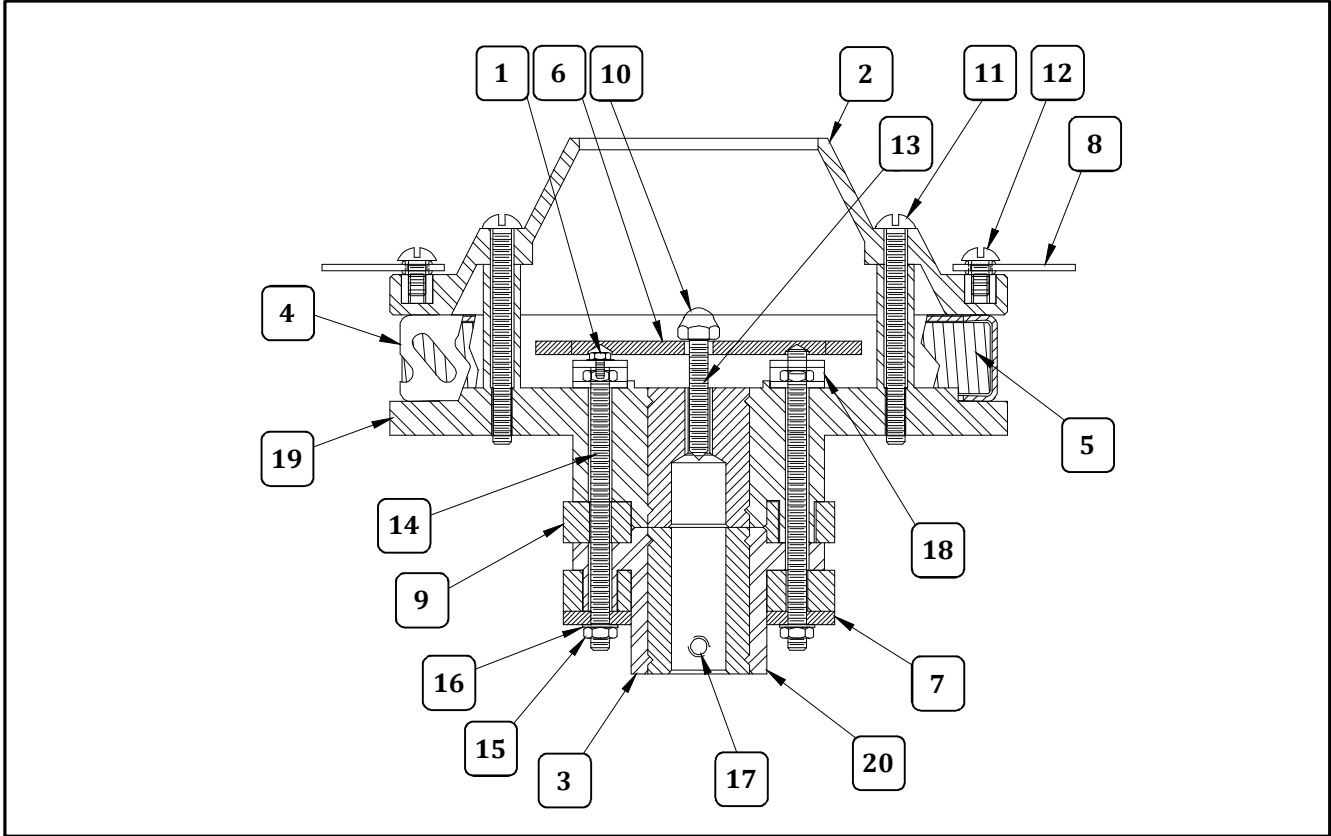
Item	Part Description	Qty.	Part Number			
			3017	3017SR	3017SS	3077 (3077C)
	SPINNER HEAD COMPLETE	1	42283	42283	42283	42561
1	8-32 x 1/4 HX HD WHIZLOCK	4	42045	42045	42045	42045
2	HIGH CAPACITY SPINNER CAP	1	43166	43166	43166	43166
3	SPINNER HEAD BOTTOM ONLY	1	42284	42284	42284	42284
4	5 1/2" FLOSS BAND	1	43165	43165	43165	
	5 1/2IN DBL FLOSS BAND	1				42517
5	5 IN RIBBON ASSY 11 OHMS	1	42251	42251	42251	
	3077/3015A RIBBON ASSY	2				42564
6	PHENOLIC TERMINAL GUARD	1	42162	42162	42162	42162
7	BOTTOM PHENOLIC WASHER	1	20054	20054	20054	20054
8	LEATHER FLOATER	2	20010	20010	20010	20010
9	SLIP RING 3/8 IN	2	42126	42126	42126	42126
10	ACORN NUT NYLON 1/4-20	1	48041	48041	48041	48041
11	10-24 X 2 PHIL PAN M/S	4	42041	42041	42041	
	10-24 X 2 3/4 PHIL PAN M/S	4				42199
12	SCREW 8-32X5/8 PH PAN MS	2	42192	42192	42192	42192
13	SET SCREW 1/4-20 X 2	1	42311	42311	42311	42311
14	SLIP RING STUDS	2	42127	42127	42127	42127
15	HEX NUT 10-32 ZINC PLATED	2	74143	74143	74143	74143
16	#10 INTERNAL TOOTH WASHER	2	12573	12573	12573	12573
17	SET SCREW 1/4-20 X 3/8	2	74125	74125	74125	74125
18	TERMINAL ASSEMBLY	2	42305	42305	42305	42305
19	UPPER SPINNER HEAD	1	42437	42437	42437	42437
20	LOWER SPINNER HEAD 1/2	1	42281	42281	42281	42281

## Floss Machine Head Assembly



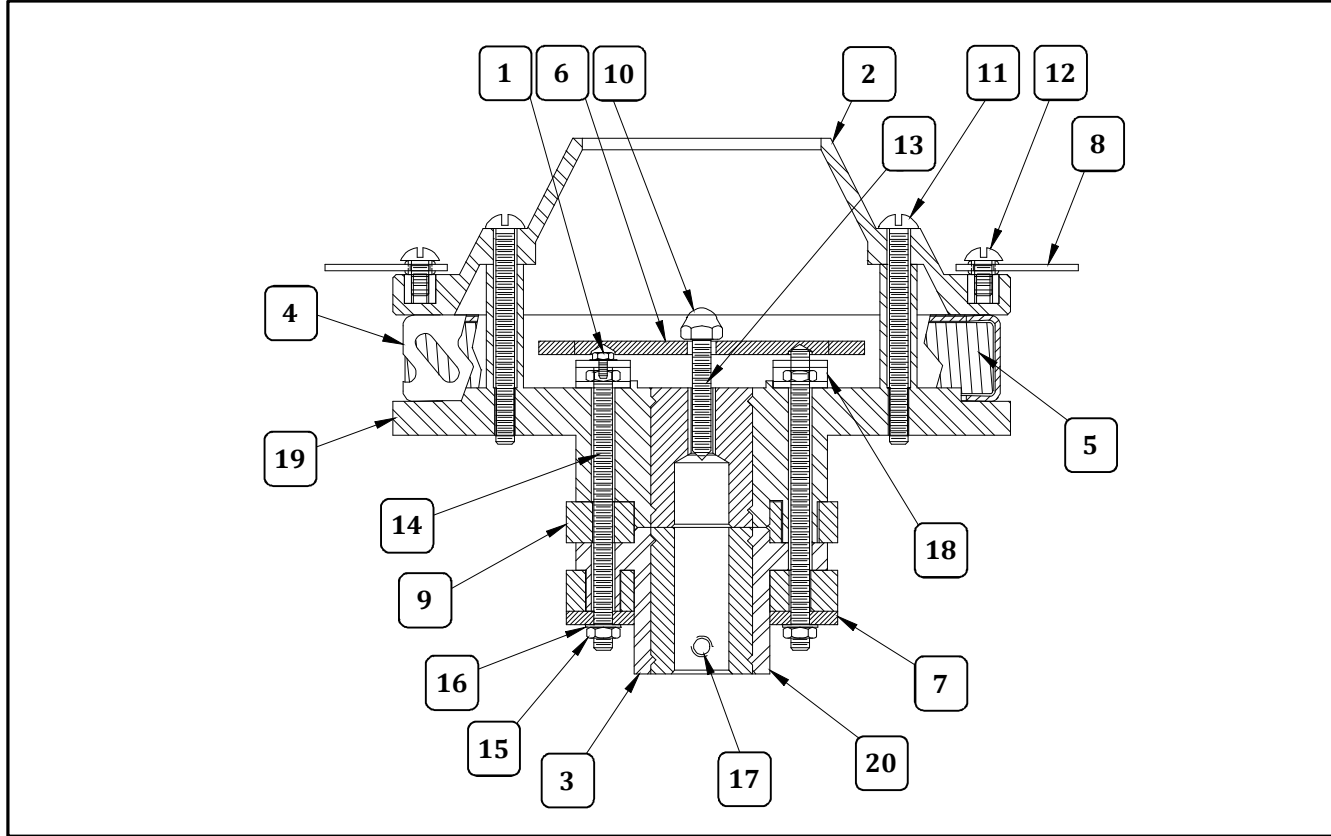
Item	Part Description	Qty.	Part Number			
			3017	3017SR	3017SS	3077 (3077C)
	SPINNER HEAD COMPLETE	1	42283	42283	42283	42561
1	8-32 x 1/4 HX HD WHIZLOCK	4	42045	42045	42045	42045
2	HIGH CAPACITY SPINNER CAP	1	43166	43166	43166	43166
3	SPINNER HEAD BOTTOM ONLY	1	42284	42284	42284	42284
4	5 1/2" FLOSS BAND	1	43165	43165	43165	
	5 1/2IN DBL FLOSS BAND	1				42517
5	5 IN RIBBON ASSY 11 OHMS	1	42251	42251	42251	
	3077/3015A RIBBON ASSY	2				42564
6	PHENOLIC TERMINAL GUARD	1	42162	42162	42162	42162
7	BOTTOM PHENOLIC WASHER	1	20054	20054	20054	20054
8	LEATHER FLOATER	2	20010	20010	20010	20010
9	SLIP RING 3/8 IN	2	42126	42126	42126	42126
10	ACORN NUT NYLON 1/4-20	1	48041	48041	48041	48041
11	10-24 X 2 PHIL PAN M/S	4	42041	42041	42041	
	10-24 X 2 3/4 PHIL PAN M/S	4				42199
12	SCREW 8-32X5/8 PH PAN MS	2	42192	42192	42192	42192
13	SET SCREW 1/4-20 X 2	1	42311	42311	42311	42311
14	SLIP RING STUDS	2	42127	42127	42127	42127
15	HEX NUT 10-32 ZINC PLATED	2	74143	74143	74143	74143
16	#10 INTERNAL TOOTH WASHER	2	12573	12573	12573	12573
17	SET SCREW 1/4-20 X 3/8	2	74125	74125	74125	74125
18	TERMINAL ASSEMBLY	2	42305	42305	42305	42305
19	UPPER SPINNER HEAD	1	42437	42437	42437	42437
20	LOWER SPINNER HEAD 1/2	1	42281	42281	42281	42281

## Floss Machine Head Assembly



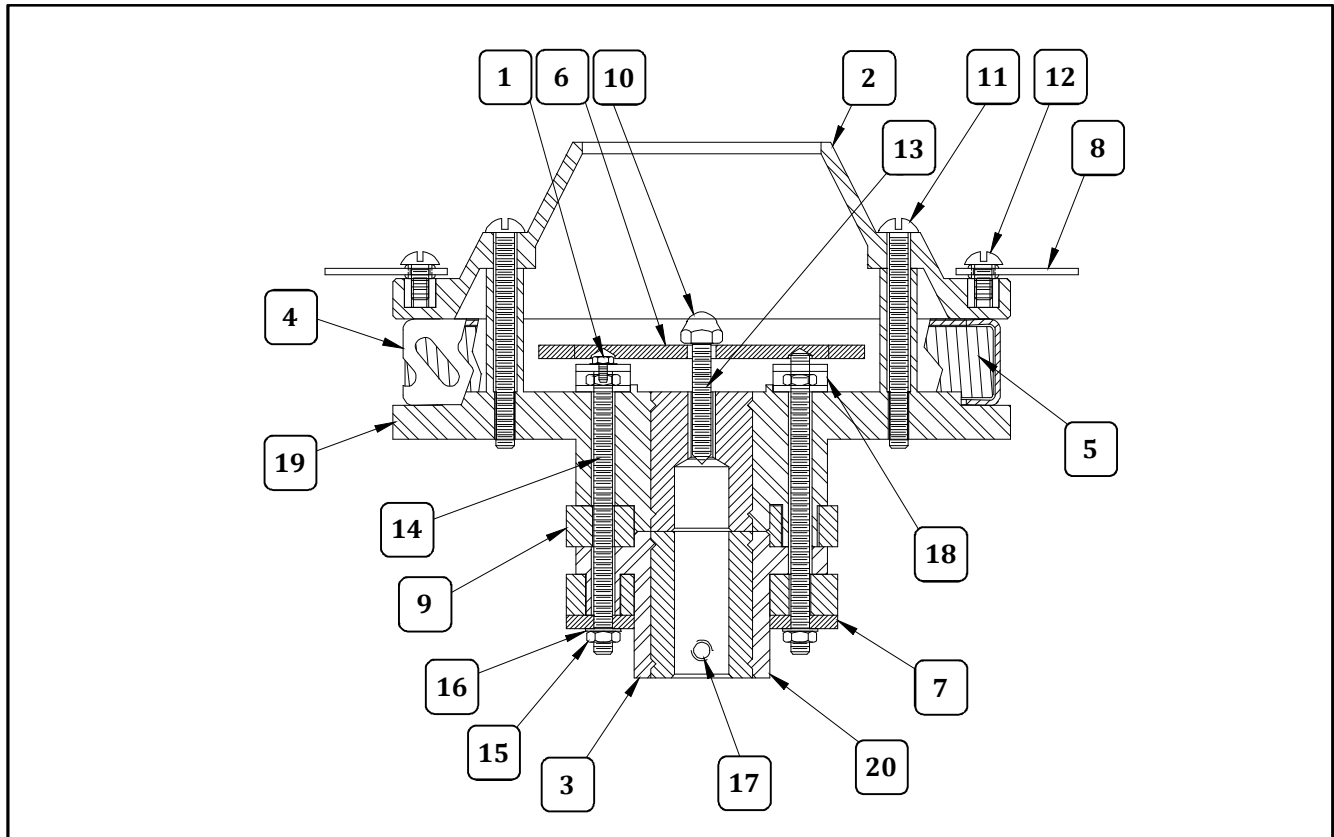
Item	Part Description	Qty.	Part Number			
			3017	3017SR	3017SS	3077 (3077C)
	SPINNER HEAD COMPLETE	1	42283	42283	42283	42561
1	8-32 x 1/4 HX HD WHIZLOCK	4	42045	42045	42045	42045
2	HIGH CAPACITY SPINNER CAP	1	43166	43166	43166	43166
3	SPINNER HEAD BOTTOM ONLY	1	42284	42284	42284	42284
4	5 1/2" FLOSS BAND	1	43165	43165	43165	
	5 1/2IN DBL FLOSS BAND	1				42517
5	5 IN RIBBON ASSY 11 OHMS	1	42251	42251	42251	
	3077/3015A RIBBON ASSY	2				42564
6	PHENOLIC TERMINAL GUARD	1	42162	42162	42162	42162
7	BOTTOM PHENOLIC WASHER	1	20054	20054	20054	20054
8	LEATHER FLOATER	2	20010	20010	20010	20010
9	SLIP RING 3/8 IN	2	42126	42126	42126	42126
10	ACORN NUT NYLON 1/4-20	1	48041	48041	48041	48041
11	10-24 X 2 PHIL PAN M/S	4	42041	42041	42041	
	10-24 X 2 3/4 PHIL PAN M/S	4				42199
12	SCREW 8-32X5/8 PH PAN MS	2	42192	42192	42192	42192
13	SET SCREW 1/4-20 X 2	1	42311	42311	42311	42311
14	SLIP RING STUDS	2	42127	42127	42127	42127
15	HEX NUT 10-32 ZINC PLATED	2	74143	74143	74143	74143
16	#10 INTERNAL TOOTH WASHER	2	12573	12573	12573	12573
17	SET SCREW 1/4-20 X 3/8	2	74125	74125	74125	74125
18	TERMINAL ASSEMBLY	2	42305	42305	42305	42305
19	UPPER SPINNER HEAD	1	42437	42437	42437	42437
20	LOWER SPINNER HEAD 1/2	1	42281	42281	42281	42281

## Floss Machine Head Assembly



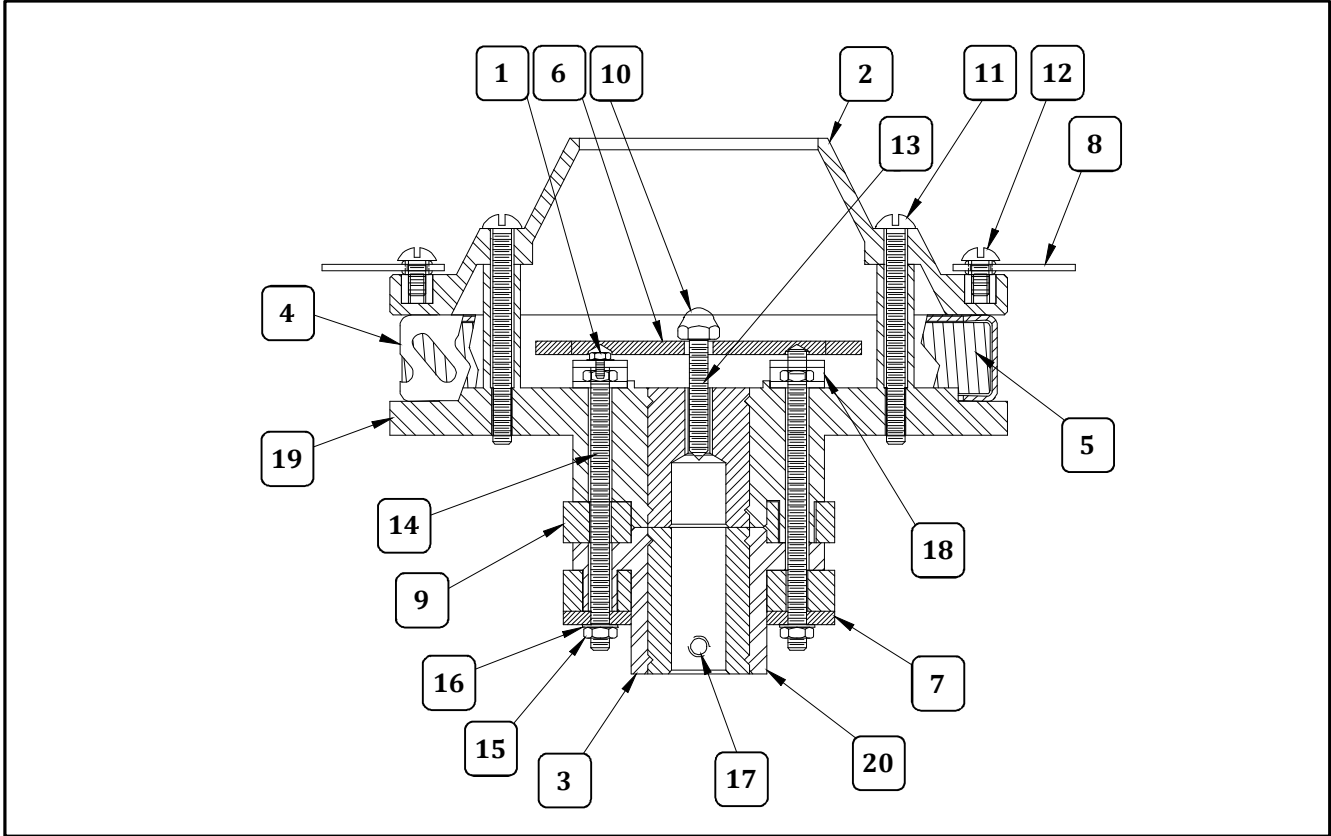
Item	Part Description	Qty.	Part Number			
			3017	3017SR	3017SS	3077 (3077C)
	SPINNER HEAD COMPLETE	1	42283	42283	42283	42561
1	8-32 x 1/4 HX HD WHIZLOCK	4	42045	42045	42045	42045
2	HIGH CAPACITY SPINNER CAP	1	43166	43166	43166	43166
3	SPINNER HEAD BOTTOM ONLY	1	42284	42284	42284	42284
4	5 1/2" FLOSS BAND	1	43165	43165	43165	
	5 1/2IN DBL FLOSS BAND	1				42517
5	5 IN RIBBON ASSY 11 OHMS	1	42251	42251	42251	
	3077/3015A RIBBON ASSY	2				42564
6	PHENOLIC TERMINAL GUARD	1	42162	42162	42162	42162
7	BOTTOM PHENOLIC WASHER	1	20054	20054	20054	20054
8	LEATHER FLOATER	2	20010	20010	20010	20010
9	SLIP RING 3/8 IN	2	42126	42126	42126	42126
10	ACORN NUT NYLON 1/4-20	1	48041	48041	48041	48041
11	10-24 X 2 PHIL PAN M/S	4	42041	42041	42041	
	10-24 X 2 3/4 PHIL PAN M/S	4				42199
12	SCREW 8-32X5/8 PH PAN MS	2	42192	42192	42192	42192
13	SET SCREW 1/4-20 X 2	1	42311	42311	42311	42311
14	SLIP RING STUDS	2	42127	42127	42127	42127
15	HEX NUT 10-32 ZINC PLATED	2	74143	74143	74143	74143
16	#10 INTERNAL TOOTH WASHER	2	12573	12573	12573	12573
17	SET SCREW 1/4-20 X 3/8	2	74125	74125	74125	74125
18	TERMINAL ASSEMBLY	2	42305	42305	42305	42305
19	UPPER SPINNER HEAD	1	42437	42437	42437	42437
20	LOWER SPINNER HEAD 1/2	1	42281	42281	42281	42281

## Floss Machine Head Assembly



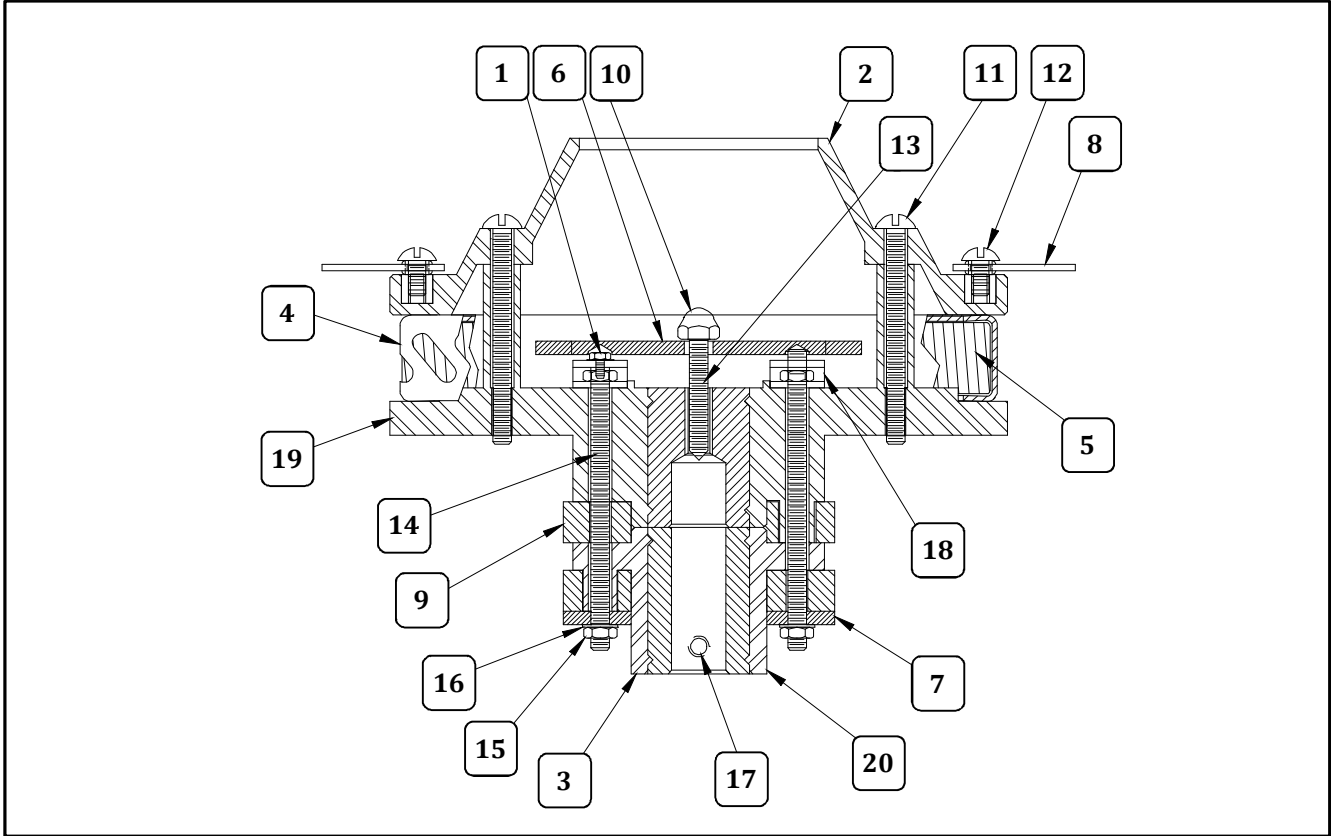
Item	Part Description	Qty.	Part Number			
			3017	3017SR	3017SS	3077 (3077C)
	SPINNER HEAD COMPLETE	1	42283	42283	42283	42561
1	8-32 x 1/4 HX HD WHIZLOCK	4	42045	42045	42045	42045
2	HIGH CAPACITY SPINNER CAP	1	43166	43166	43166	43166
3	SPINNER HEAD BOTTOM ONLY	1	42284	42284	42284	42284
4	5 1/2" FLOSS BAND	1	43165	43165	43165	
	5 1/2IN DBL FLOSS BAND	1				42517
5	5 IN RIBBON ASSY 11 OHMS	1	42251	42251	42251	
	3077/3015A RIBBON ASSY	2				42564
6	PHENOLIC TERMINAL GUARD	1	42162	42162	42162	42162
7	BOTTOM PHENOLIC WASHER	1	20054	20054	20054	20054
8	LEATHER FLOATER	2	20010	20010	20010	20010
9	SLIP RING 3/8 IN	2	42126	42126	42126	42126
10	ACORN NUT NYLON 1/4-20	1	48041	48041	48041	48041
11	10-24 X 2 PHIL PAN M/S	4	42041	42041	42041	
	10-24 X 2 3/4 PHIL PAN M/S	4				42199
12	SCREW 8-32X5/8 PH PAN MS	2	42192	42192	42192	42192
13	SET SCREW 1/4-20 X 2	1	42311	42311	42311	42311
14	SLIP RING STUDS	2	42127	42127	42127	42127
15	HEX NUT 10-32 ZINC PLATED	2	74143	74143	74143	74143
16	#10 INTERNAL TOOTH WASHER	2	12573	12573	12573	12573
17	SET SCREW 1/4-20 X 3/8	2	74125	74125	74125	74125
18	TERMINAL ASSEMBLY	2	42305	42305	42305	42305
19	UPPER SPINNER HEAD	1	42437	42437	42437	42437
20	LOWER SPINNER HEAD 1/2	1	42281	42281	42281	42281

## Floss Machine Head Assembly



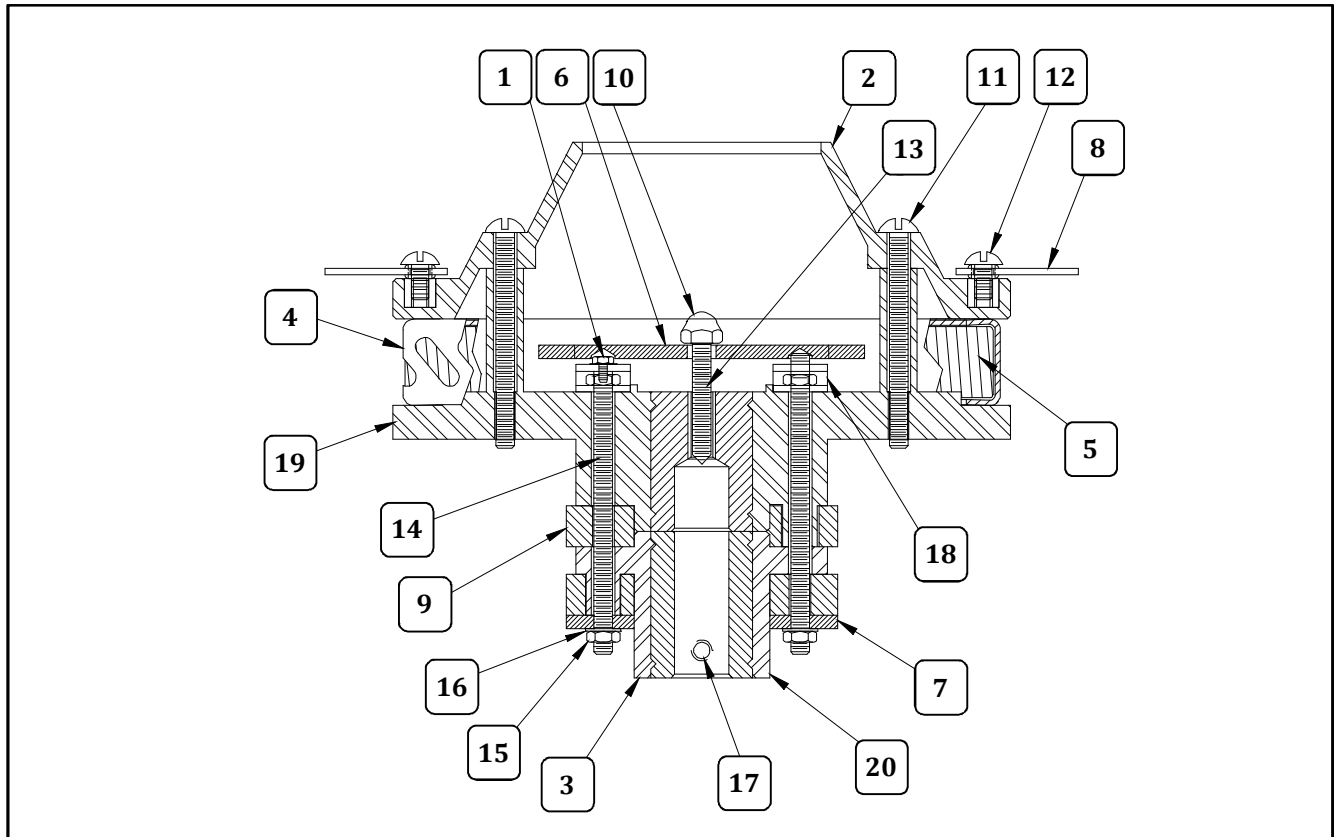
Item	Part Description	Qty.	Part Number			
			3017	3017SR	3017SS	3077 (3077C)
	SPINNER HEAD COMPLETE	1	42283	42283	42283	42561
1	8-32 x 1/4 HX HD WHIZLOCK	4	42045	42045	42045	42045
2	HIGH CAPACITY SPINNER CAP	1	43166	43166	43166	43166
3	SPINNER HEAD BOTTOM ONLY	1	42284	42284	42284	42284
4	5 1/2" FLOSS BAND	1	43165	43165	43165	
	5 1/2IN DBL FLOSS BAND	1				42517
5	5 IN RIBBON ASSY 11 OHMS	1	42251	42251	42251	
	3077/3015A RIBBON ASSY	2				42564
6	PHENOLIC TERMINAL GUARD	1	42162	42162	42162	42162
7	BOTTOM PHENOLIC WASHER	1	20054	20054	20054	20054
8	LEATHER FLOATER	2	20010	20010	20010	20010
9	SLIP RING 3/8 IN	2	42126	42126	42126	42126
10	ACORN NUT NYLON 1/4-20	1	48041	48041	48041	48041
11	10-24 X 2 PHIL PAN M/S	4	42041	42041	42041	
	10-24 X 2 3/4 PHIL PAN M/S	4				42199
12	SCREW 8-32X5/8 PH PAN MS	2	42192	42192	42192	42192
13	SET SCREW 1/4-20 X 2	1	42311	42311	42311	42311
14	SLIP RING STUDS	2	42127	42127	42127	42127
15	HEX NUT 10-32 ZINC PLATED	2	74143	74143	74143	74143
16	#10 INTERNAL TOOTH WASHER	2	12573	12573	12573	12573
17	SET SCREW 1/4-20 X 3/8	2	74125	74125	74125	74125
18	TERMINAL ASSEMBLY	2	42305	42305	42305	42305
19	UPPER SPINNER HEAD	1	42437	42437	42437	42437
20	LOWER SPINNER HEAD 1/2	1	42281	42281	42281	42281

## Floss Machine Head Assembly



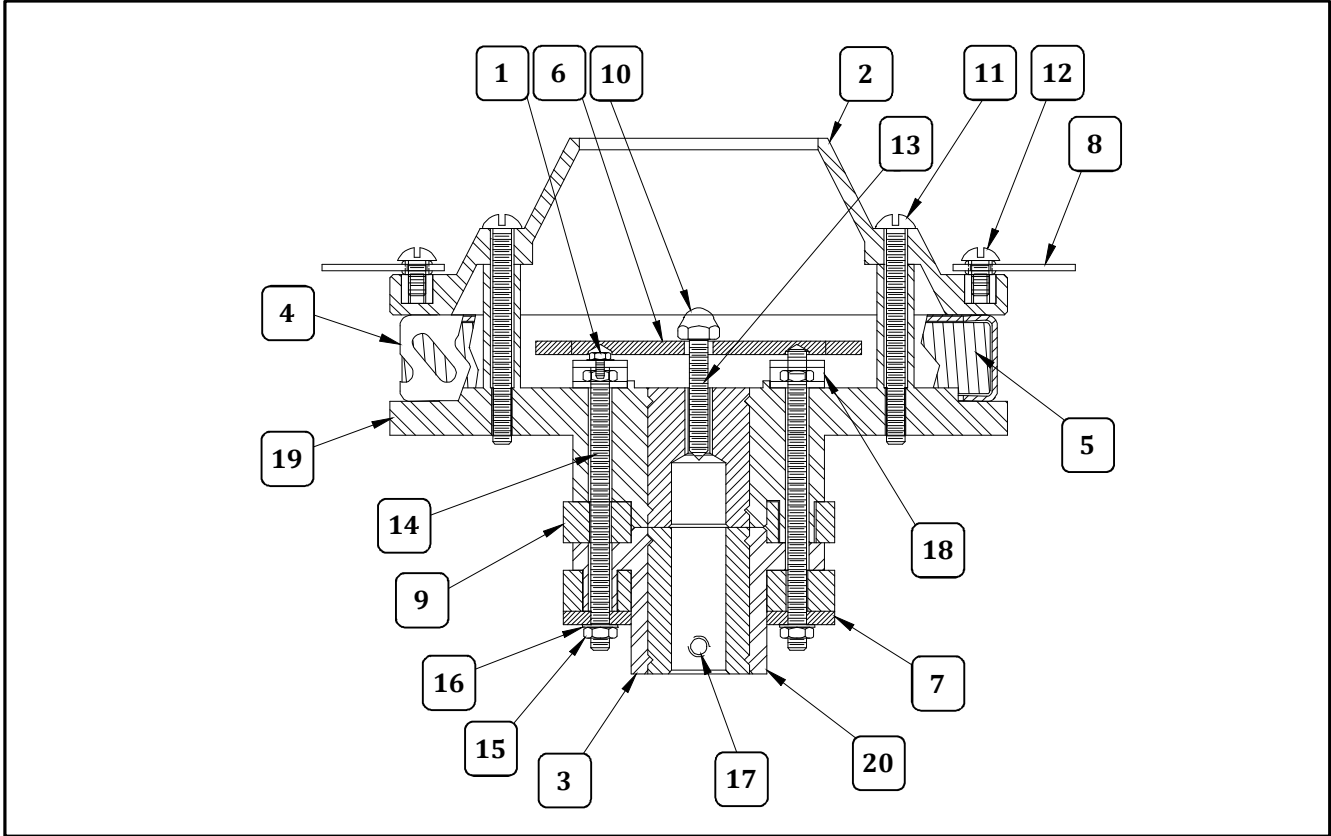
Item	Part Description	Qty.	Part Number			
			3017	3017SR	3017SS	3077 (3077C)
	SPINNER HEAD COMPLETE	1	42283	42283	42283	42561
1	8-32 x 1/4 HX HD WHIZLOCK	4	42045	42045	42045	42045
2	HIGH CAPACITY SPINNER CAP	1	43166	43166	43166	43166
3	SPINNER HEAD BOTTOM ONLY	1	42284	42284	42284	42284
4	5 1/2" FLOSS BAND	1	43165	43165	43165	
	5 1/2IN DBL FLOSS BAND	1				42517
5	5 IN RIBBON ASSY 11 OHMS	1	42251	42251	42251	
	3077/3015A RIBBON ASSY	2				42564
6	PHENOLIC TERMINAL GUARD	1	42162	42162	42162	42162
7	BOTTOM PHENOLIC WASHER	1	20054	20054	20054	20054
8	LEATHER FLOATER	2	20010	20010	20010	20010
9	SLIP RING 3/8 IN	2	42126	42126	42126	42126
10	ACORN NUT NYLON 1/4-20	1	48041	48041	48041	48041
11	10-24 X 2 PHIL PAN M/S	4	42041	42041	42041	
	10-24 X 2 3/4 PHIL PAN M/S	4				42199
12	SCREW 8-32X5/8 PH PAN MS	2	42192	42192	42192	42192
13	SET SCREW 1/4-20 X 2	1	42311	42311	42311	42311
14	SLIP RING STUDS	2	42127	42127	42127	42127
15	HEX NUT 10-32 ZINC PLATED	2	74143	74143	74143	74143
16	#10 INTERNAL TOOTH WASHER	2	12573	12573	12573	12573
17	SET SCREW 1/4-20 X 3/8	2	74125	74125	74125	74125
18	TERMINAL ASSEMBLY	2	42305	42305	42305	42305
19	UPPER SPINNER HEAD	1	42437	42437	42437	42437
20	LOWER SPINNER HEAD 1/2	1	42281	42281	42281	42281

## Floss Machine Head Assembly



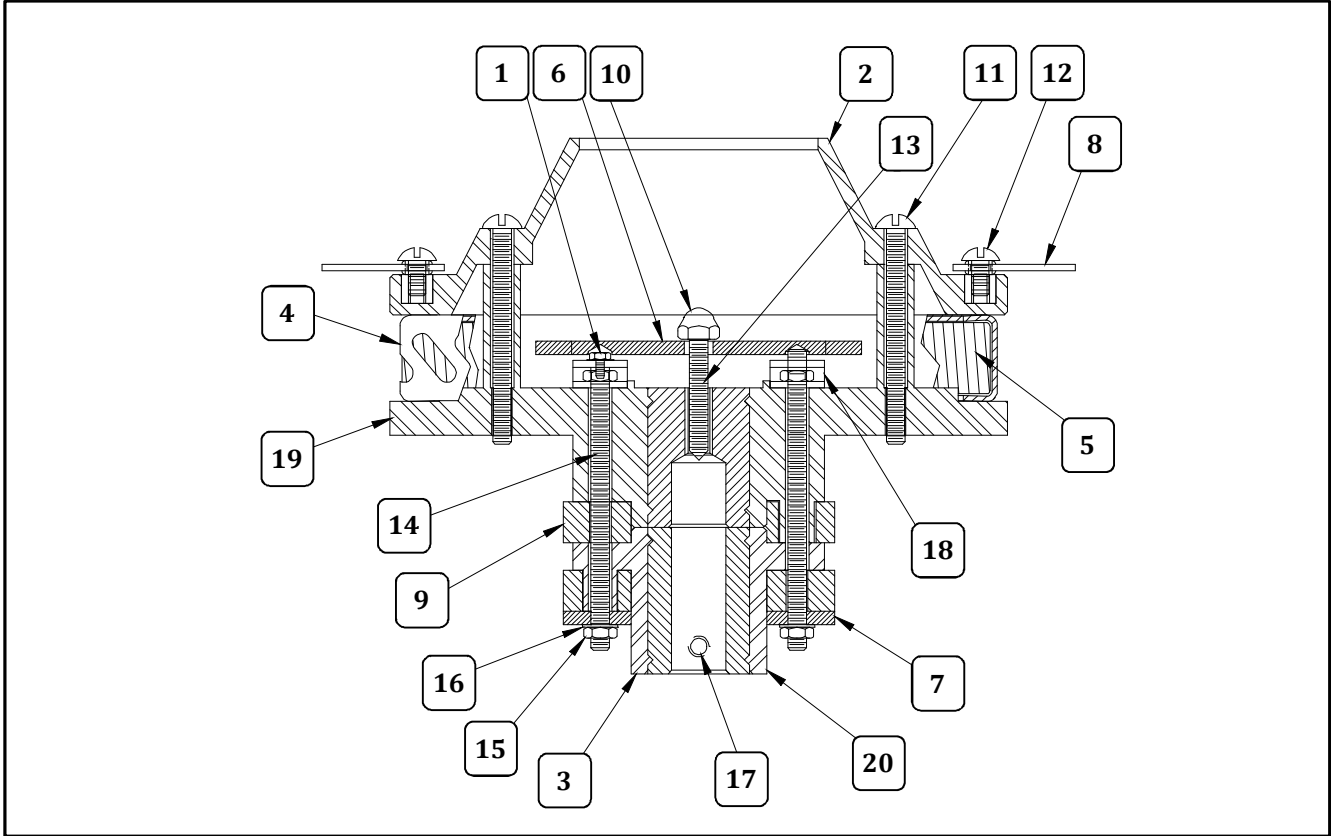
Item	Part Description	Qty.	Part Number			
			3017	3017SR	3017SS	3077 (3077C)
	SPINNER HEAD COMPLETE	1	42283	42283	42283	42561
1	8-32 x 1/4 HX HD WHIZLOCK	4	42045	42045	42045	42045
2	HIGH CAPACITY SPINNER CAP	1	43166	43166	43166	43166
3	SPINNER HEAD BOTTOM ONLY	1	42284	42284	42284	42284
4	5 1/2" FLOSS BAND	1	43165	43165	43165	
	5 1/2IN DBL FLOSS BAND	1				42517
5	5 IN RIBBON ASSY 11 OHMS	1	42251	42251	42251	
	3077/3015A RIBBON ASSY	2				42564
6	PHENOLIC TERMINAL GUARD	1	42162	42162	42162	42162
7	BOTTOM PHENOLIC WASHER	1	20054	20054	20054	20054
8	LEATHER FLOATER	2	20010	20010	20010	20010
9	SLIP RING 3/8 IN	2	42126	42126	42126	42126
10	ACORN NUT NYLON 1/4-20	1	48041	48041	48041	48041
11	10-24 X 2 PHIL PAN M/S	4	42041	42041	42041	
	10-24 X 2 3/4 PHIL PAN M/S	4				42199
12	SCREW 8-32X5/8 PH PAN MS	2	42192	42192	42192	42192
13	SET SCREW 1/4-20 X 2	1	42311	42311	42311	42311
14	SLIP RING STUDS	2	42127	42127	42127	42127
15	HEX NUT 10-32 ZINC PLATED	2	74143	74143	74143	74143
16	#10 INTERNAL TOOTH WASHER	2	12573	12573	12573	12573
17	SET SCREW 1/4-20 X 3/8	2	74125	74125	74125	74125
18	TERMINAL ASSEMBLY	2	42305	42305	42305	42305
19	UPPER SPINNER HEAD	1	42437	42437	42437	42437
20	LOWER SPINNER HEAD 1/2	1	42281	42281	42281	42281

## Floss Machine Head Assembly



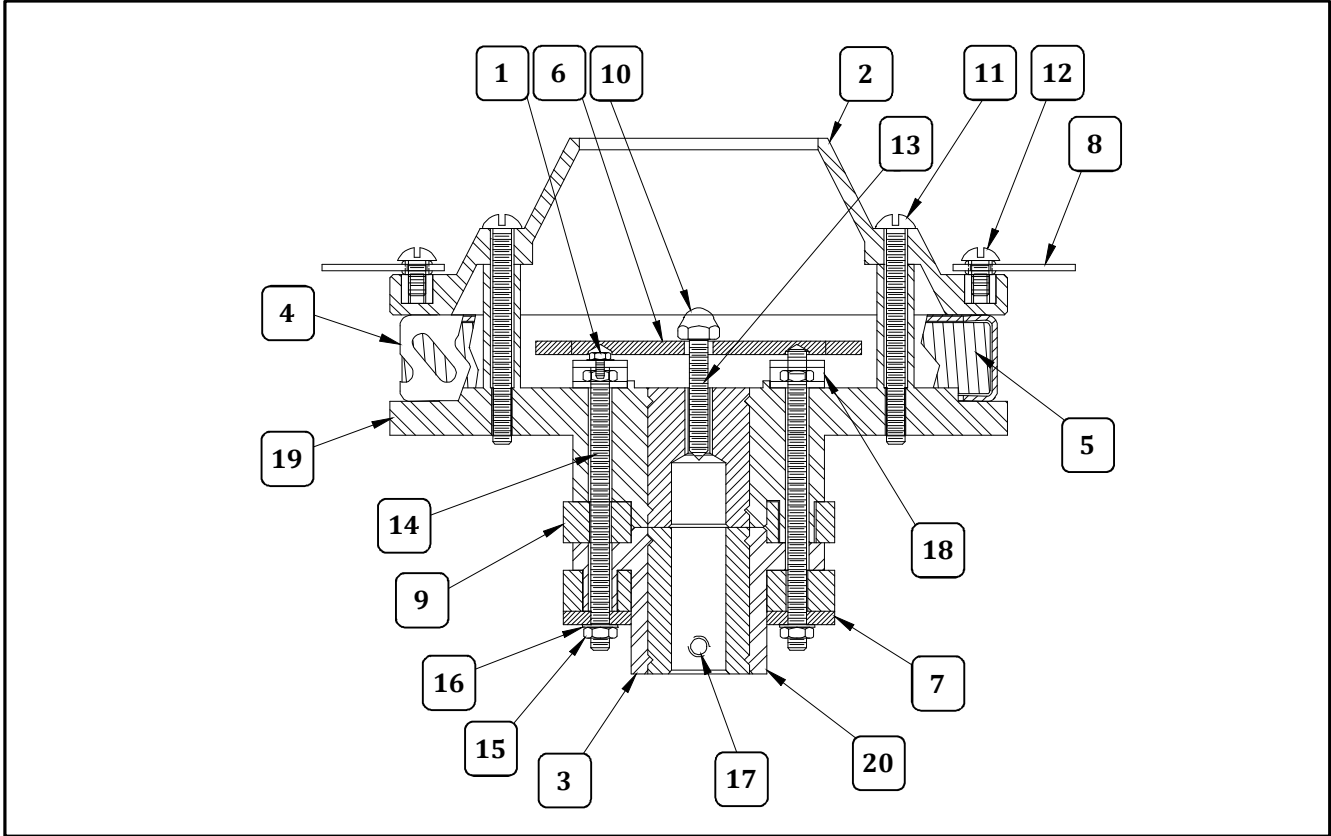
Item	Part Description	Qty.	Part Number			
			3017	3017SR	3017SS	3077 (3077C)
	SPINNER HEAD COMPLETE	1	42283	42283	42283	42561
1	8-32 x 1/4 HX HD WHIZLOCK	4	42045	42045	42045	42045
2	HIGH CAPACITY SPINNER CAP	1	43166	43166	43166	43166
3	SPINNER HEAD BOTTOM ONLY	1	42284	42284	42284	42284
4	5 1/2" FLOSS BAND	1	43165	43165	43165	
	5 1/2IN DBL FLOSS BAND	1				42517
5	5 IN RIBBON ASSY 11 OHMS	1	42251	42251	42251	
	3077/3015A RIBBON ASSY	2				42564
6	PHENOLIC TERMINAL GUARD	1	42162	42162	42162	42162
7	BOTTOM PHENOLIC WASHER	1	20054	20054	20054	20054
8	LEATHER FLOATER	2	20010	20010	20010	20010
9	SLIP RING 3/8 IN	2	42126	42126	42126	42126
10	ACORN NUT NYLON 1/4-20	1	48041	48041	48041	48041
11	10-24 X 2 PHIL PAN M/S	4	42041	42041	42041	
	10-24 X 2 3/4 PHIL PAN M/S	4				42199
12	SCREW 8-32X5/8 PH PAN MS	2	42192	42192	42192	42192
13	SET SCREW 1/4-20 X 2	1	42311	42311	42311	42311
14	SLIP RING STUDS	2	42127	42127	42127	42127
15	HEX NUT 10-32 ZINC PLATED	2	74143	74143	74143	74143
16	#10 INTERNAL TOOTH WASHER	2	12573	12573	12573	12573
17	SET SCREW 1/4-20 X 3/8	2	74125	74125	74125	74125
18	TERMINAL ASSEMBLY	2	42305	42305	42305	42305
19	UPPER SPINNER HEAD	1	42437	42437	42437	42437
20	LOWER SPINNER HEAD 1/2	1	42281	42281	42281	42281

## Floss Machine Head Assembly



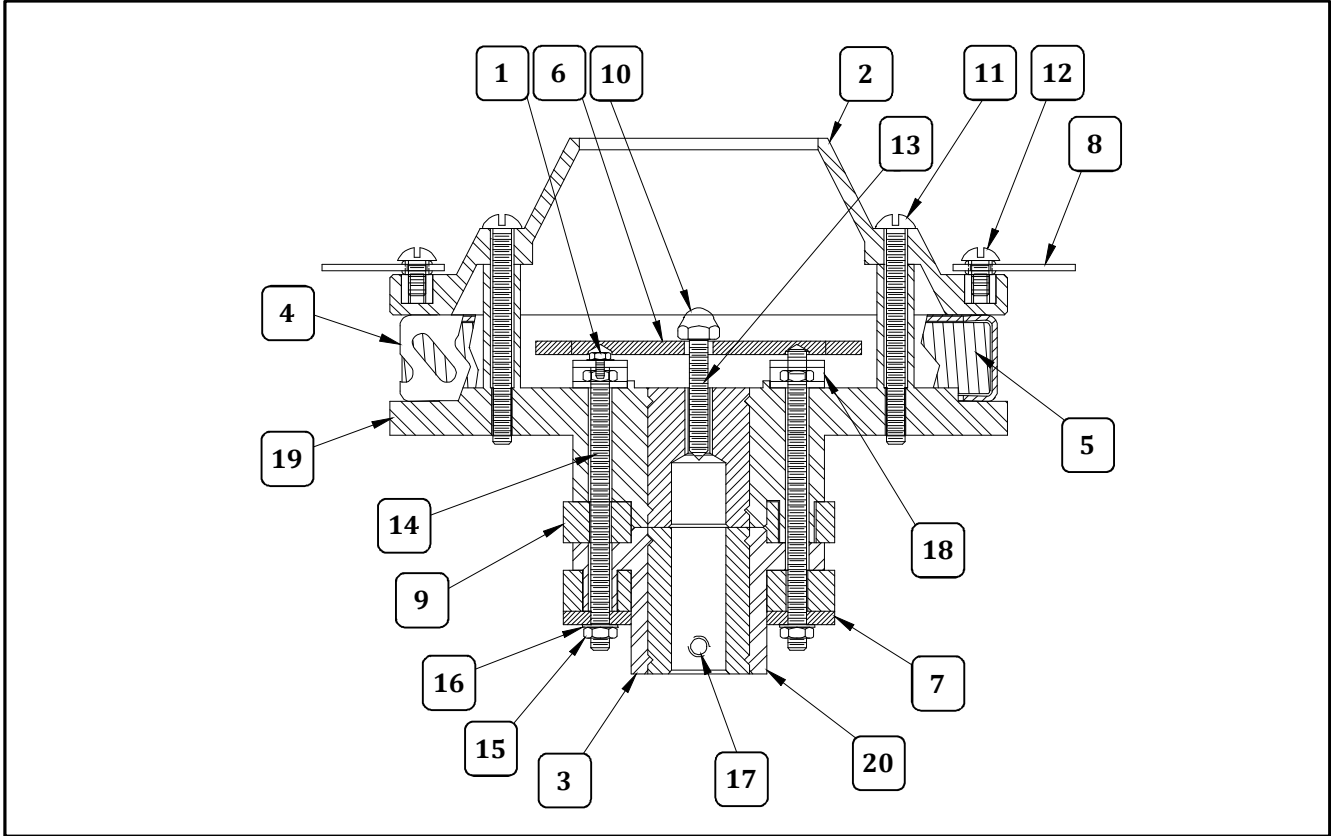
Item	Part Description	Qty.	Part Number			
			3017	3017SR	3017SS	3077 (3077C)
	SPINNER HEAD COMPLETE	1	42283	42283	42283	42561
1	8-32 x 1/4 HX HD WHIZLOCK	4	42045	42045	42045	42045
2	HIGH CAPACITY SPINNER CAP	1	43166	43166	43166	43166
3	SPINNER HEAD BOTTOM ONLY	1	42284	42284	42284	42284
4	5 1/2" FLOSS BAND	1	43165	43165	43165	
	5 1/2IN DBL FLOSS BAND	1				42517
5	5 IN RIBBON ASSY 11 OHMS	1	42251	42251	42251	
	3077/3015A RIBBON ASSY	2				42564
6	PHENOLIC TERMINAL GUARD	1	42162	42162	42162	42162
7	BOTTOM PHENOLIC WASHER	1	20054	20054	20054	20054
8	LEATHER FLOATER	2	20010	20010	20010	20010
9	SLIP RING 3/8 IN	2	42126	42126	42126	42126
10	ACORN NUT NYLON 1/4-20	1	48041	48041	48041	48041
11	10-24 X 2 PHIL PAN M/S	4	42041	42041	42041	
	10-24 X 2 3/4 PHIL PAN M/S	4				42199
12	SCREW 8-32X5/8 PH PAN MS	2	42192	42192	42192	42192
13	SET SCREW 1/4-20 X 2	1	42311	42311	42311	42311
14	SLIP RING STUDS	2	42127	42127	42127	42127
15	HEX NUT 10-32 ZINC PLATED	2	74143	74143	74143	74143
16	#10 INTERNAL TOOTH WASHER	2	12573	12573	12573	12573
17	SET SCREW 1/4-20 X 3/8	2	74125	74125	74125	74125
18	TERMINAL ASSEMBLY	2	42305	42305	42305	42305
19	UPPER SPINNER HEAD	1	42437	42437	42437	42437
20	LOWER SPINNER HEAD 1/2	1	42281	42281	42281	42281

## Floss Machine Head Assembly



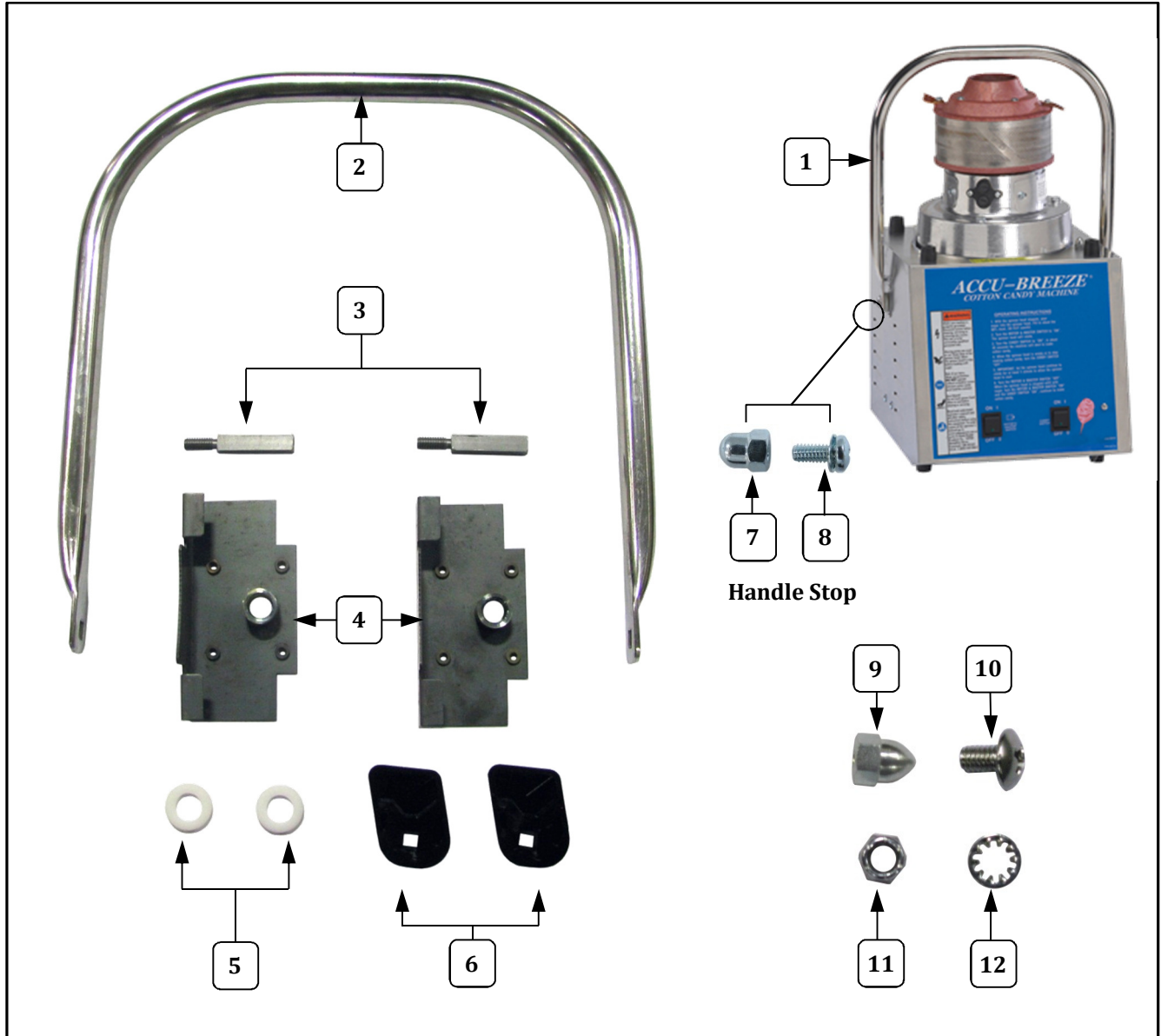
Item	Part Description	Qty.	Part Number			
			3017	3017SR	3017SS	3077 (3077C)
	SPINNER HEAD COMPLETE	1	42283	42283	42283	42561
1	8-32 x 1/4 HX HD WHIZLOCK	4	42045	42045	42045	42045
2	HIGH CAPACITY SPINNER CAP	1	43166	43166	43166	43166
3	SPINNER HEAD BOTTOM ONLY	1	42284	42284	42284	42284
4	5 1/2" FLOSS BAND	1	43165	43165	43165	
	5 1/2IN DBL FLOSS BAND	1				42517
5	5 IN RIBBON ASSY 11 OHMS	1	42251	42251	42251	
	3077/3015A RIBBON ASSY	2				42564
6	PHENOLIC TERMINAL GUARD	1	42162	42162	42162	42162
7	BOTTOM PHENOLIC WASHER	1	20054	20054	20054	20054
8	LEATHER FLOATER	2	20010	20010	20010	20010
9	SLIP RING 3/8 IN	2	42126	42126	42126	42126
10	ACORN NUT NYLON 1/4-20	1	48041	48041	48041	48041
11	10-24 X 2 PHIL PAN M/S	4	42041	42041	42041	
	10-24 X 2 3/4 PHIL PAN M/S	4				42199
12	SCREW 8-32X5/8 PH PAN MS	2	42192	42192	42192	42192
13	SET SCREW 1/4-20 X 2	1	42311	42311	42311	42311
14	SLIP RING STUDS	2	42127	42127	42127	42127
15	HEX NUT 10-32 ZINC PLATED	2	74143	74143	74143	74143
16	#10 INTERNAL TOOTH WASHER	2	12573	12573	12573	12573
17	SET SCREW 1/4-20 X 3/8	2	74125	74125	74125	74125
18	TERMINAL ASSEMBLY	2	42305	42305	42305	42305
19	UPPER SPINNER HEAD	1	42437	42437	42437	42437
20	LOWER SPINNER HEAD 1/2	1	42281	42281	42281	42281

## Floss Machine Head Assembly



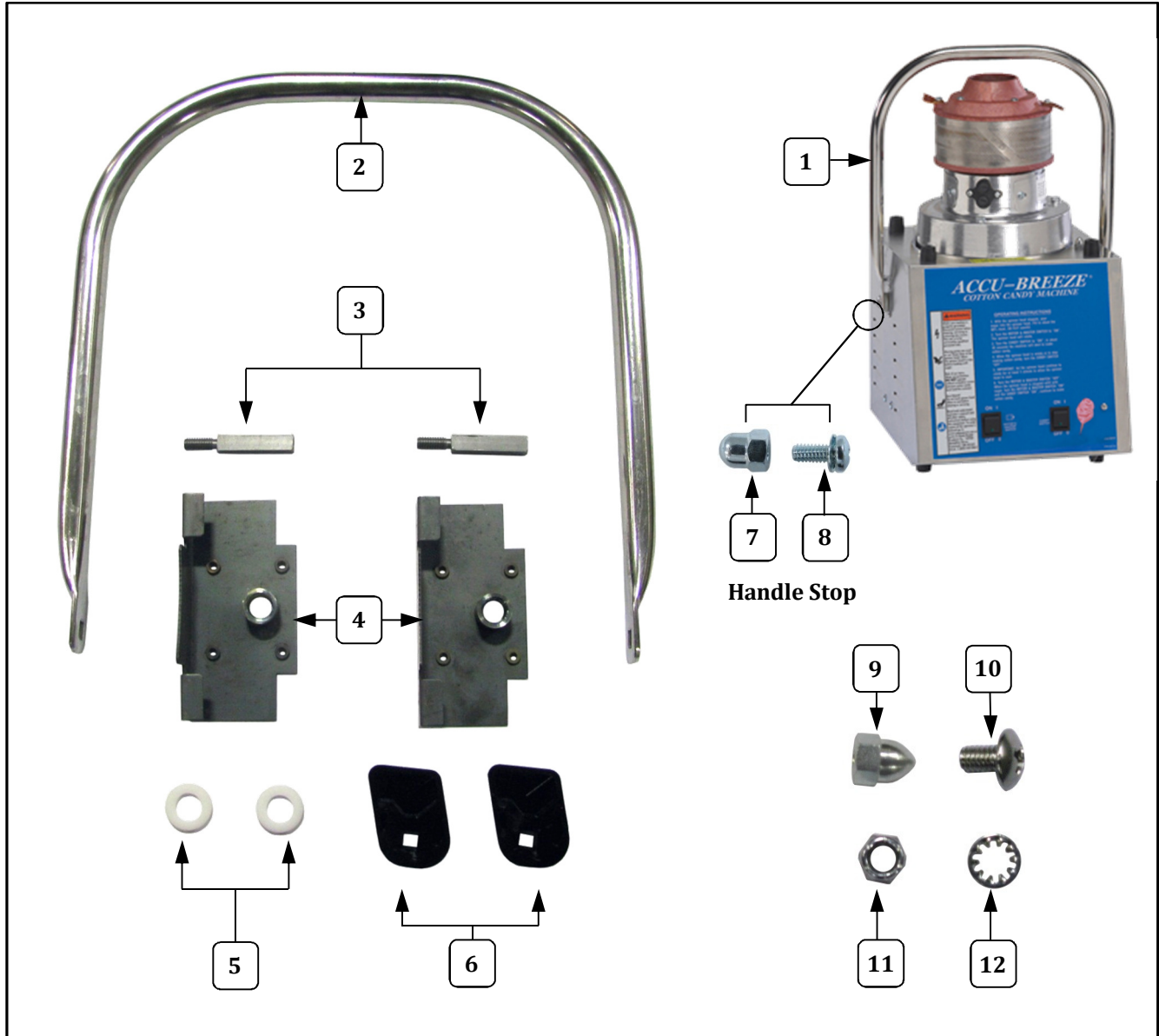
Item	Part Description	Qty.	Part Number			
			3017	3017SR	3017SS	3077 (3077C)
	SPINNER HEAD COMPLETE	1	42283	42283	42283	42561
1	8-32 x 1/4 HX HD WHIZLOCK	4	42045	42045	42045	42045
2	HIGH CAPACITY SPINNER CAP	1	43166	43166	43166	43166
3	SPINNER HEAD BOTTOM ONLY	1	42284	42284	42284	42284
4	5 1/2" FLOSS BAND	1	43165	43165	43165	
	5 1/2IN DBL FLOSS BAND	1				42517
5	5 IN RIBBON ASSY 11 OHMS	1	42251	42251	42251	
	3077/3015A RIBBON ASSY	2				42564
6	PHENOLIC TERMINAL GUARD	1	42162	42162	42162	42162
7	BOTTOM PHENOLIC WASHER	1	20054	20054	20054	20054
8	LEATHER FLOATER	2	20010	20010	20010	20010
9	SLIP RING 3/8 IN	2	42126	42126	42126	42126
10	ACORN NUT NYLON 1/4-20	1	48041	48041	48041	48041
11	10-24 X 2 PHIL PAN M/S	4	42041	42041	42041	
	10-24 X 2 3/4 PHIL PAN M/S	4				42199
12	SCREW 8-32X5/8 PH PAN MS	2	42192	42192	42192	42192
13	SET SCREW 1/4-20 X 2	1	42311	42311	42311	42311
14	SLIP RING STUDS	2	42127	42127	42127	42127
15	HEX NUT 10-32 ZINC PLATED	2	74143	74143	74143	74143
16	#10 INTERNAL TOOTH WASHER	2	12573	12573	12573	12573
17	SET SCREW 1/4-20 X 3/8	2	74125	74125	74125	74125
18	TERMINAL ASSEMBLY	2	42305	42305	42305	42305
19	UPPER SPINNER HEAD	1	42437	42437	42437	42437
20	LOWER SPINNER HEAD 1/2	1	42281	42281	42281	42281

### 3017SR – Handle Parts



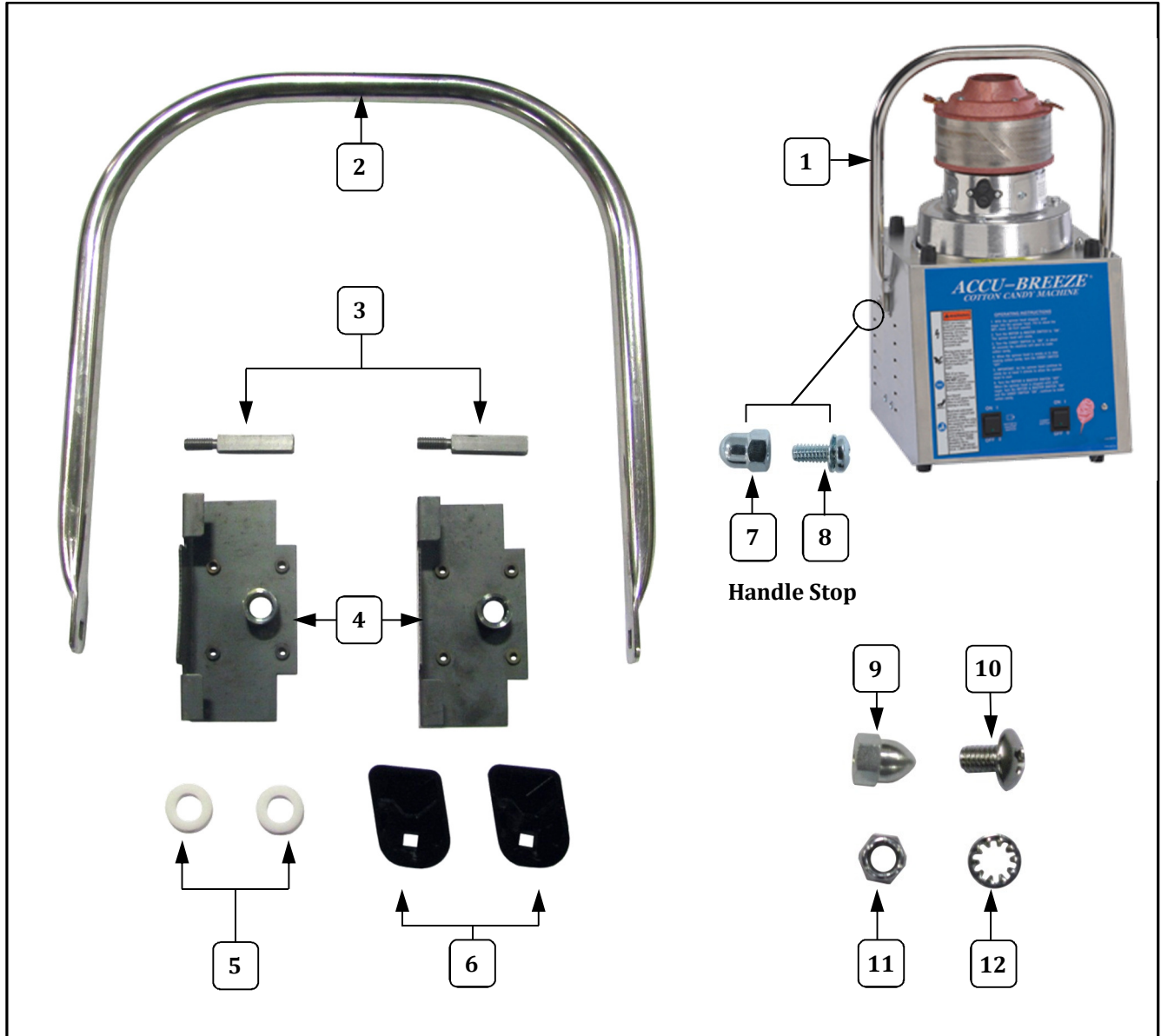
Item	Part Description	Qty.	Part No.
			3017SR
1	LOCK N GO HANDLE COMPLETE ASSY	1	<a href="#">42469</a>
2	LOCK N GO HANDLE FINISHED	1	<a href="#">42464</a>
3	CLAMPING SHAFT	2	<a href="#">42462</a>
4	CLAMPING BRACKET ASSY	2	<a href="#">42467</a>
5	HANDLE SPACER	2	<a href="#">42468</a>
6	CLAMPING CAM	2	<a href="#">42460</a>
7	ACORN NUT #8-32	1	<a href="#">47702</a>
8	8-32 X 3/8 PH PAN W/SEMS	8	<a href="#">42227</a>
9	ACORN NUT 5/16-18	2	<a href="#">77610</a>
10	SCREW 5/16-18 X 1/2 PH TR M/S	2	<a href="#">12183</a>
11	HEX NUT 5/16-18 ESLOK	2	<a href="#">12001</a>
12	WASHER 5/16 INTERNAL TOOTH	2	<a href="#">74137</a>

## 3017SR – Handle Parts



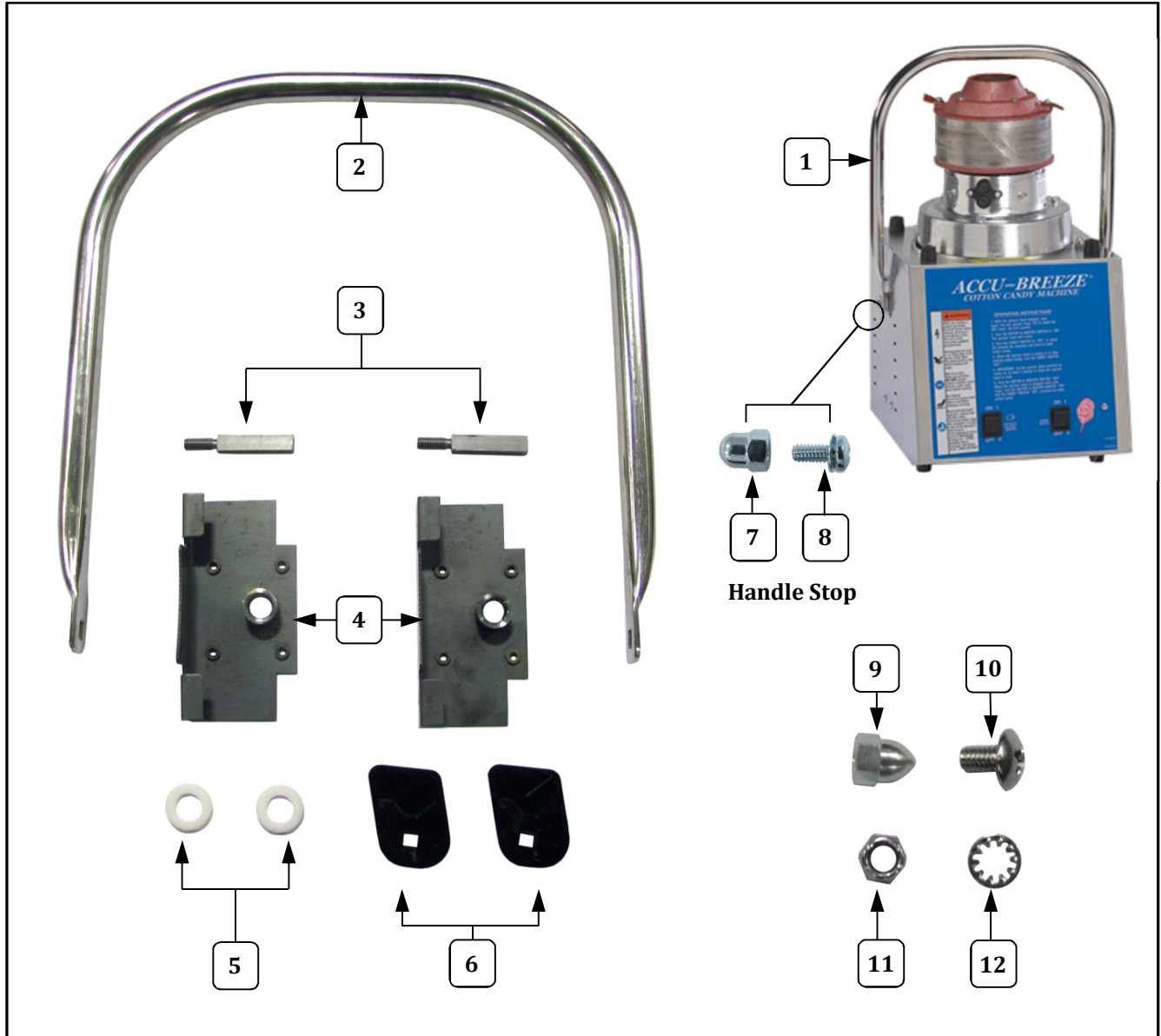
Item	Part Description	Qty.	Part No.
			3017SR
1	LOCK N GO HANDLE COMPLETE ASSY	1	<a href="#">42469</a>
2	LOCK N GO HANDLE FINISHED	1	<a href="#">42464</a>
3	CLAMPING SHAFT	2	<a href="#">42462</a>
4	CLAMPING BRACKET ASSY	2	<a href="#">42467</a>
5	HANDLE SPACER	2	<a href="#">42468</a>
6	CLAMPING CAM	2	<a href="#">42460</a>
7	ACORN NUT #8-32	1	<a href="#">47702</a>
8	8-32 X 3/8 PH PAN W/SEMS	8	<a href="#">42227</a>
9	ACORN NUT 5/16-18	2	<a href="#">77610</a>
10	SCREW 5/16-18 X 1/2 PH TR M/S	2	<a href="#">12183</a>
11	HEX NUT 5/16-18 ESLOK	2	<a href="#">12001</a>
12	WASHER 5/16 INTERNAL TOOTH	2	<a href="#">74137</a>

### 3017SR – Handle Parts



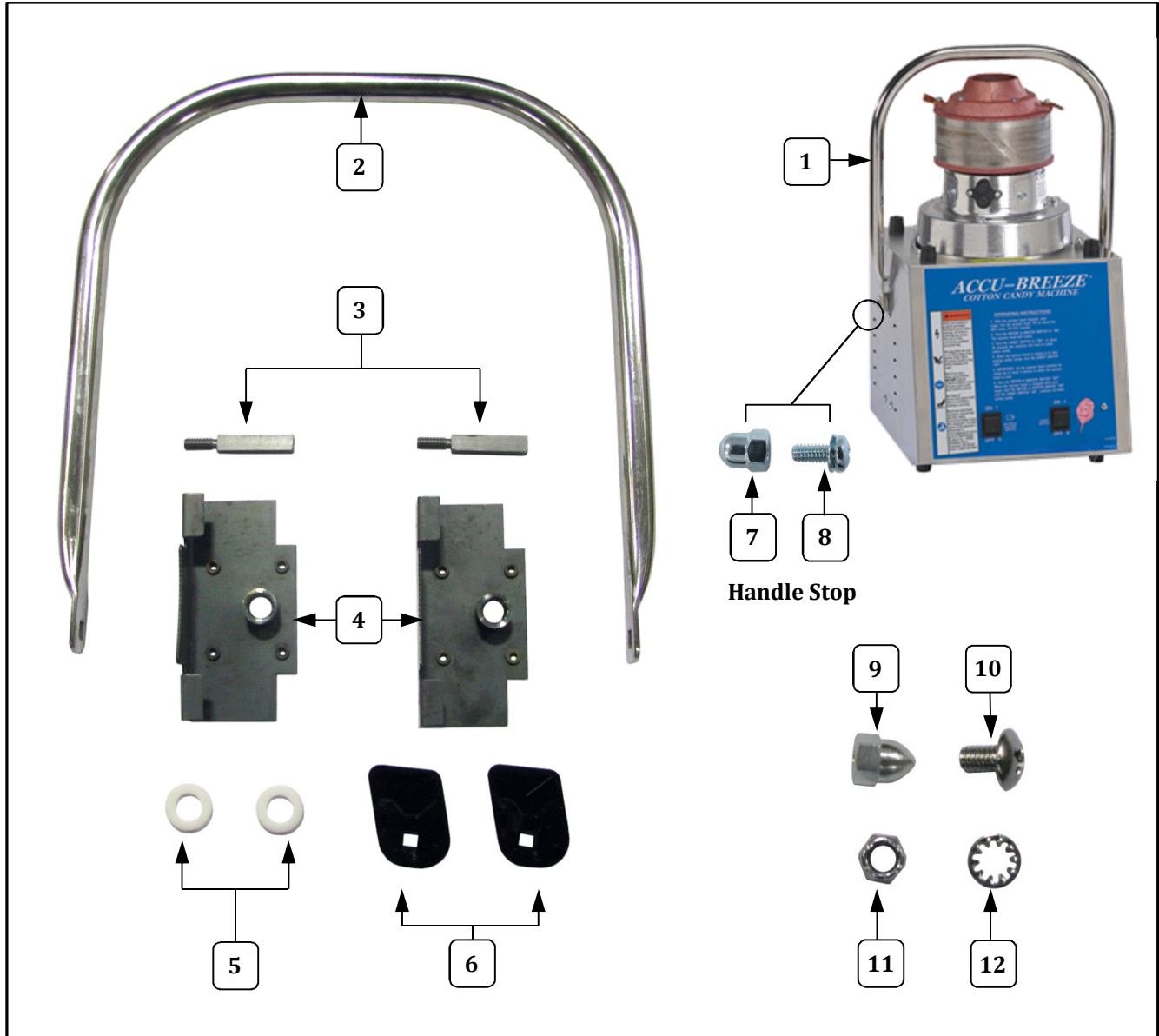
Item	Part Description	Qty.	Part No.
			3017SR
1	LOCK N GO HANDLE COMPLETE ASSY	1	<a href="#">42469</a>
2	LOCK N GO HANDLE FINISHED	1	<a href="#">42464</a>
3	CLAMPING SHAFT	2	<a href="#">42462</a>
4	CLAMPING BRACKET ASSY	2	<a href="#">42467</a>
5	HANDLE SPACER	2	<a href="#">42468</a>
6	CLAMPING CAM	2	<a href="#">42460</a>
7	ACORN NUT #8-32	1	<a href="#">47702</a>
8	8-32 X 3/8 PH PAN W/SEMS	8	<a href="#">42227</a>
9	ACORN NUT 5/16-18	2	<a href="#">77610</a>
10	SCREW 5/16-18 X 1/2 PH TR M/S	2	<a href="#">12183</a>
11	HEX NUT 5/16-18 ESLOK	2	<a href="#">12001</a>
12	WASHER 5/16 INTERNAL TOOTH	2	<a href="#">74137</a>

### 3017SR – Handle Parts



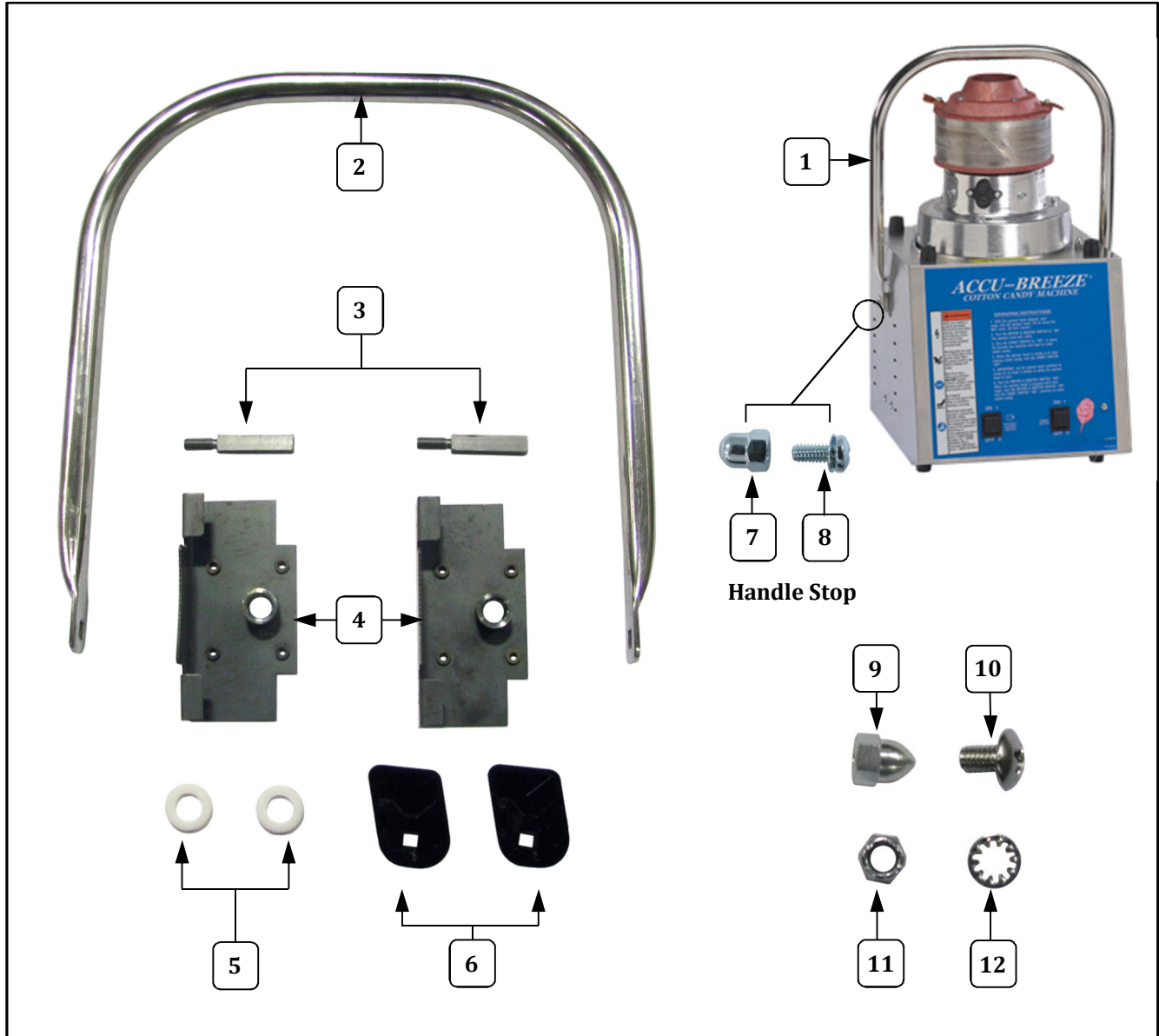
Item	Part Description	Qty.	Part No.
			3017SR
1	LOCK N GO HANDLE COMPLETE ASSY	1	<a href="#">42469</a>
2	LOCK N GO HANDLE FINISHED	1	<a href="#">42464</a>
3	CLAMPING SHAFT	2	<a href="#">42462</a>
4	CLAMPING BRACKET ASSY	2	<a href="#">42467</a>
5	HANDLE SPACER	2	<a href="#">42468</a>
6	CLAMPING CAM	2	<a href="#">42460</a>
7	ACORN NUT #8-32	1	<a href="#">47702</a>
8	8-32 X 3/8 PH PAN W/SEMS	8	<a href="#">42227</a>
9	ACORN NUT 5/16-18	2	<a href="#">77610</a>
10	SCREW 5/16-18 X 1/2 PH TR M/S	2	<a href="#">12183</a>
11	HEX NUT 5/16-18 ESLOK	2	<a href="#">12001</a>
12	WASHER 5/16 INTERNAL TOOTH	2	<a href="#">74137</a>

## 3017SR – Handle Parts



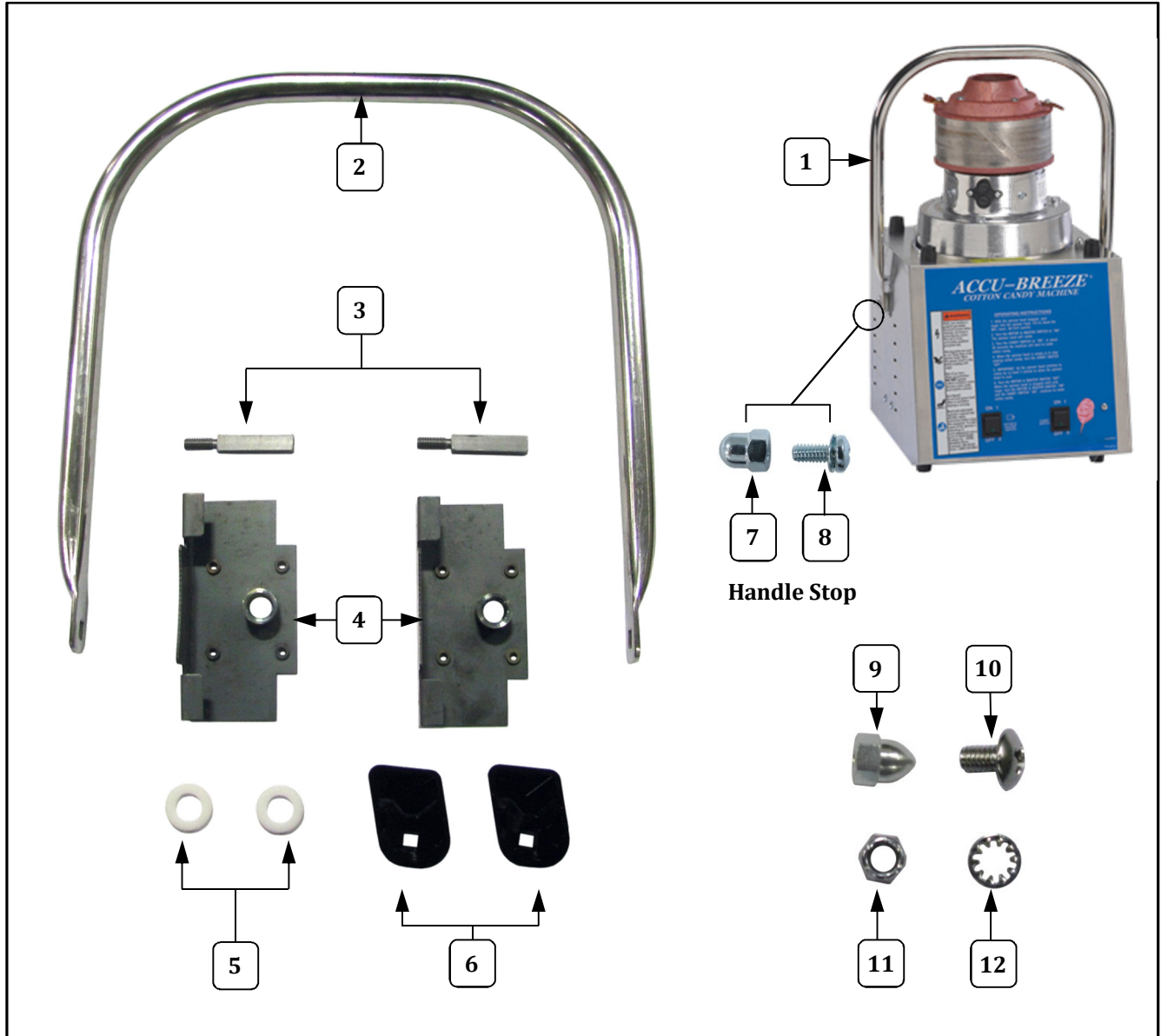
Item	Part Description	Qty.	Part No.
			3017SR
1	LOCK N GO HANDLE COMPLETE ASSY	1	<a href="#">42469</a>
2	LOCK N GO HANDLE FINISHED	1	<a href="#">42464</a>
3	CLAMPING SHAFT	2	<a href="#">42462</a>
4	CLAMPING BRACKET ASSY	2	<a href="#">42467</a>
5	HANDLE SPACER	2	<a href="#">42468</a>
6	CLAMPING CAM	2	<a href="#">42460</a>
7	ACORN NUT #8-32	1	<a href="#">47702</a>
8	8-32 X 3/8 PH PAN W/SEMS	8	<a href="#">42227</a>
9	ACORN NUT 5/16-18	2	<a href="#">77610</a>
10	SCREW 5/16-18 X 1/2 PH TR M/S	2	<a href="#">12183</a>
11	HEX NUT 5/16-18 ESLOK	2	<a href="#">12001</a>
12	WASHER 5/16 INTERNAL TOOTH	2	<a href="#">74137</a>

## 3017SR – Handle Parts



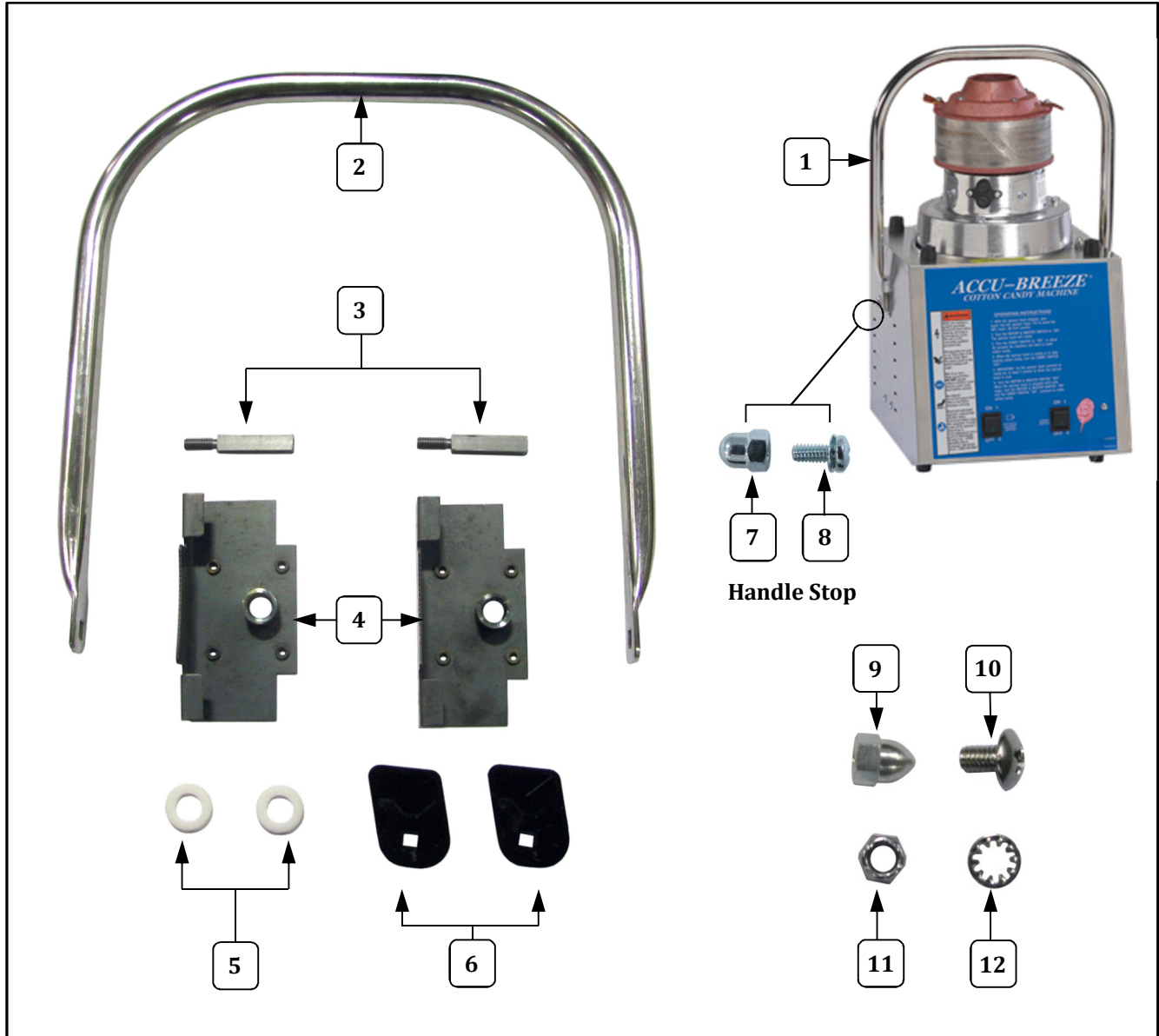
Item	Part Description	Qty.	Part No.
			3017SR
1	LOCK N GO HANDLE COMPLETE ASSY	1	<a href="#">42469</a>
2	LOCK N GO HANDLE FINISHED	1	<a href="#">42464</a>
3	CLAMPING SHAFT	2	<a href="#">42462</a>
4	CLAMPING BRACKET ASSY	2	<a href="#">42467</a>
5	HANDLE SPACER	2	<a href="#">42468</a>
6	CLAMPING CAM	2	<a href="#">42460</a>
7	ACORN NUT #8-32	1	<a href="#">47702</a>
8	8-32 X 3/8 PH PAN W/SEMS	8	<a href="#">42227</a>
9	ACORN NUT 5/16-18	2	<a href="#">77610</a>
10	SCREW 5/16-18 X 1/2 PH TR M/S	2	<a href="#">12183</a>
11	HEX NUT 5/16-18 ESLOK	2	<a href="#">12001</a>
12	WASHER 5/16 INTERNAL TOOTH	2	<a href="#">74137</a>

### 3017SR – Handle Parts



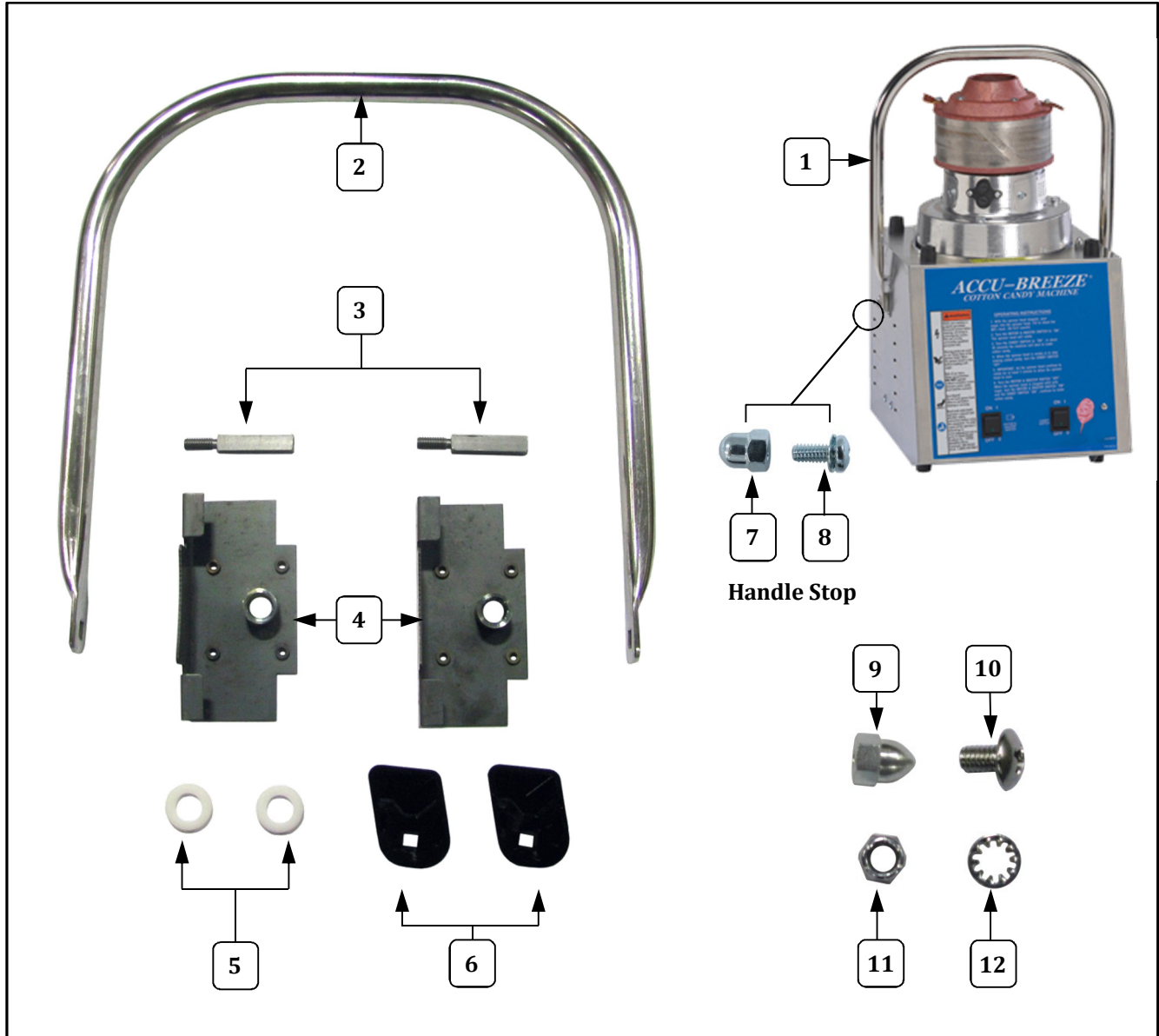
Item	Part Description	Qty.	Part No.
			3017SR
1	LOCK N GO HANDLE COMPLETE ASSY	1	<a href="#">42469</a>
2	LOCK N GO HANDLE FINISHED	1	<a href="#">42464</a>
3	CLAMPING SHAFT	2	<a href="#">42462</a>
4	CLAMPING BRACKET ASSY	2	<a href="#">42467</a>
5	HANDLE SPACER	2	<a href="#">42468</a>
6	CLAMPING CAM	2	<a href="#">42460</a>
7	ACORN NUT #8-32	1	<a href="#">47702</a>
8	8-32 X 3/8 PH PAN W/SEMS	8	<a href="#">42227</a>
9	ACORN NUT 5/16-18	2	<a href="#">77610</a>
10	SCREW 5/16-18 X 1/2 PH TR M/S	2	<a href="#">12183</a>
11	HEX NUT 5/16-18 ESLOK	2	<a href="#">12001</a>
12	WASHER 5/16 INTERNAL TOOTH	2	<a href="#">74137</a>

## 3017SR – Handle Parts



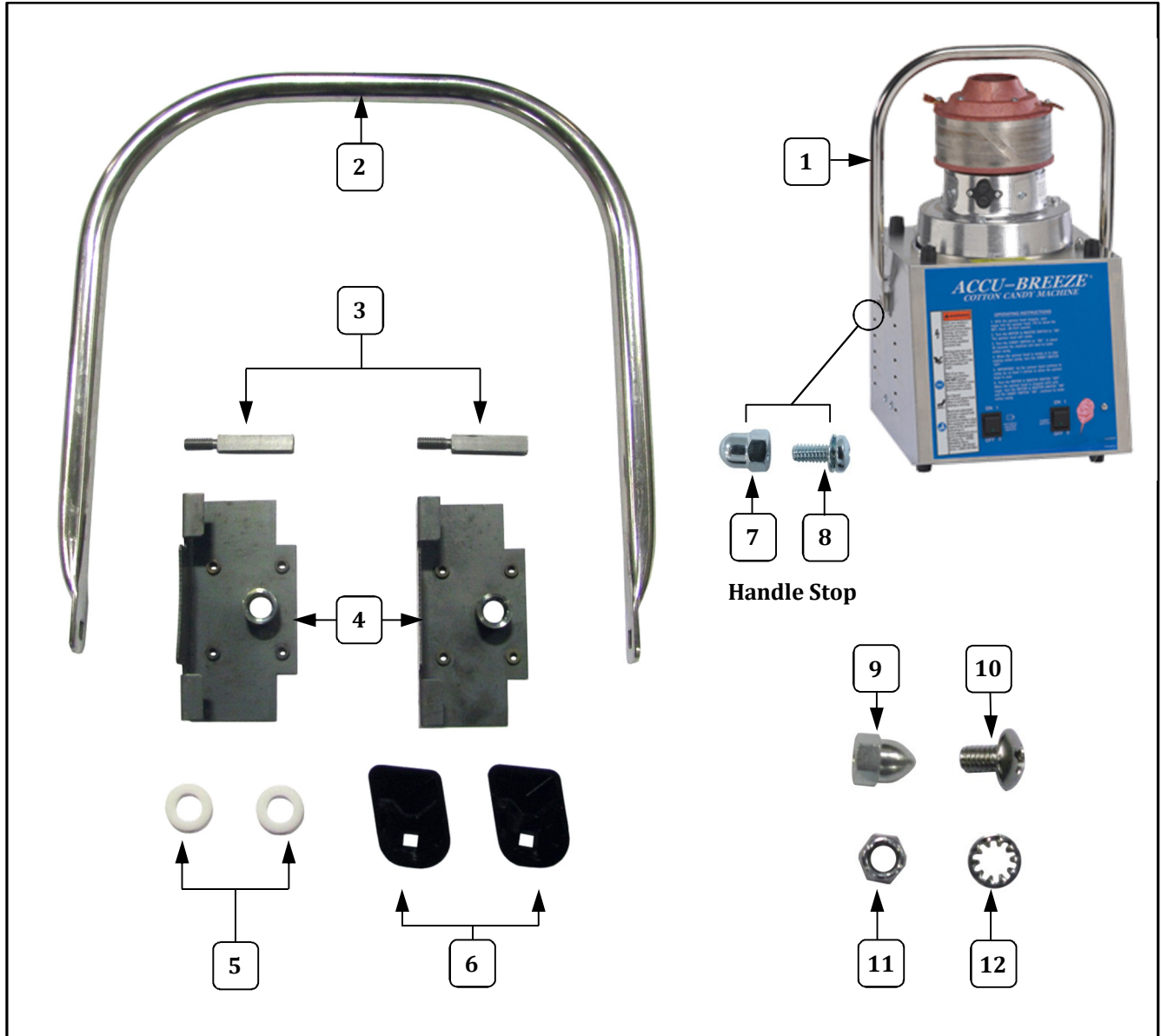
Item	Part Description	Qty.	Part No.
			3017SR
1	LOCK N GO HANDLE COMPLETE ASSY	1	<a href="#">42469</a>
2	LOCK N GO HANDLE FINISHED	1	<a href="#">42464</a>
3	CLAMPING SHAFT	2	<a href="#">42462</a>
4	CLAMPING BRACKET ASSY	2	<a href="#">42467</a>
5	HANDLE SPACER	2	<a href="#">42468</a>
6	CLAMPING CAM	2	<a href="#">42460</a>
7	ACORN NUT #8-32	1	<a href="#">47702</a>
8	8-32 X 3/8 PH PAN W/SEMS	8	<a href="#">42227</a>
9	ACORN NUT 5/16-18	2	<a href="#">77610</a>
10	SCREW 5/16-18 X 1/2 PH TR M/S	2	<a href="#">12183</a>
11	HEX NUT 5/16-18 ESLOK	2	<a href="#">12001</a>
12	WASHER 5/16 INTERNAL TOOTH	2	<a href="#">74137</a>

## 3017SR – Handle Parts



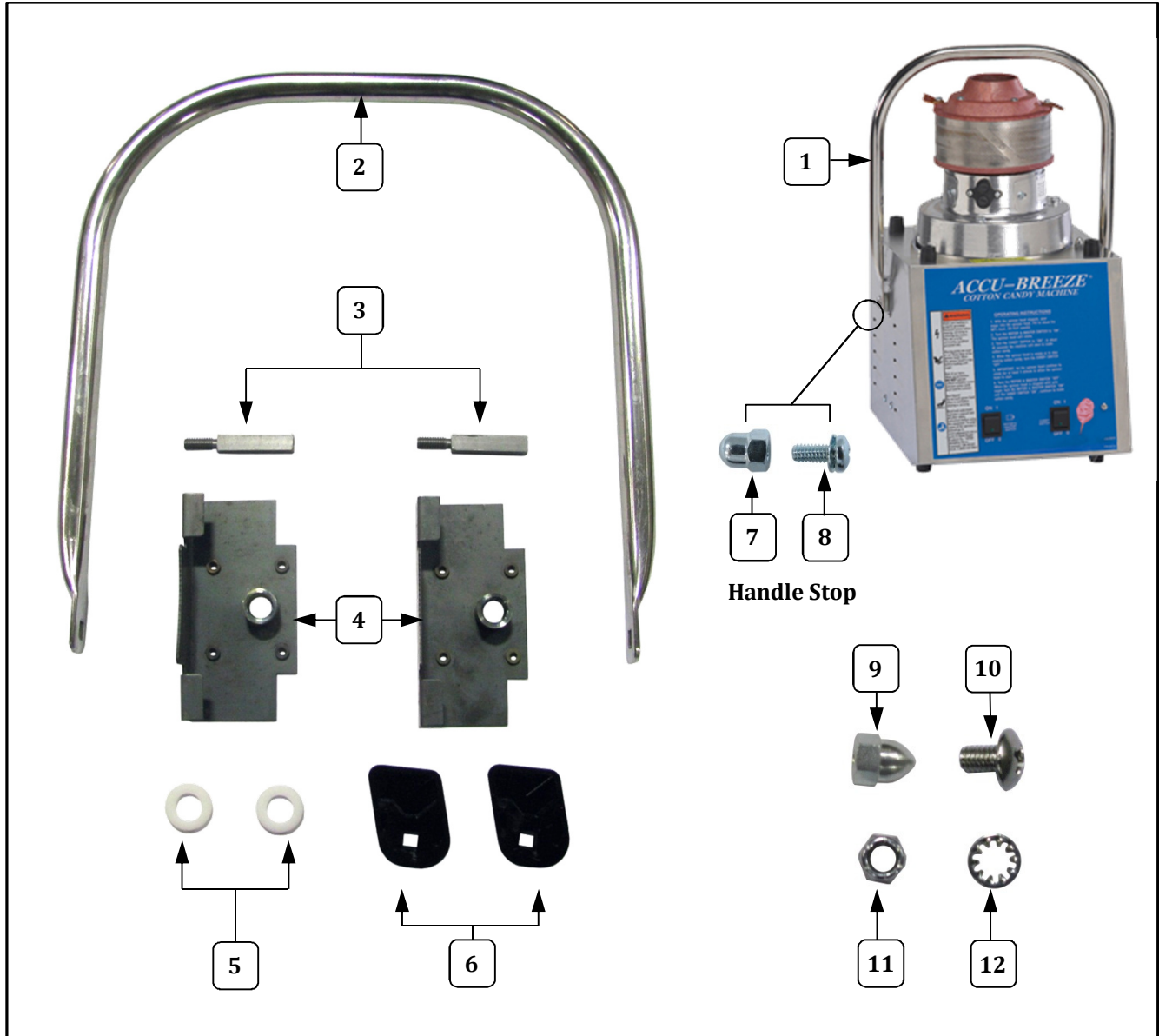
Item	Part Description	Qty.	Part No.
			3017SR
1	LOCK N GO HANDLE COMPLETE ASSY	1	<a href="#">42469</a>
2	LOCK N GO HANDLE FINISHED	1	<a href="#">42464</a>
3	CLAMPING SHAFT	2	<a href="#">42462</a>
4	CLAMPING BRACKET ASSY	2	<a href="#">42467</a>
5	HANDLE SPACER	2	<a href="#">42468</a>
6	CLAMPING CAM	2	<a href="#">42460</a>
7	ACORN NUT #8-32	1	<a href="#">47702</a>
8	8-32 X 3/8 PH PAN W/SEMS	8	<a href="#">42227</a>
9	ACORN NUT 5/16-18	2	<a href="#">77610</a>
10	SCREW 5/16-18 X 1/2 PH TR M/S	2	<a href="#">12183</a>
11	HEX NUT 5/16-18 ESLOK	2	<a href="#">12001</a>
12	WASHER 5/16 INTERNAL TOOTH	2	<a href="#">74137</a>

### 3017SR – Handle Parts



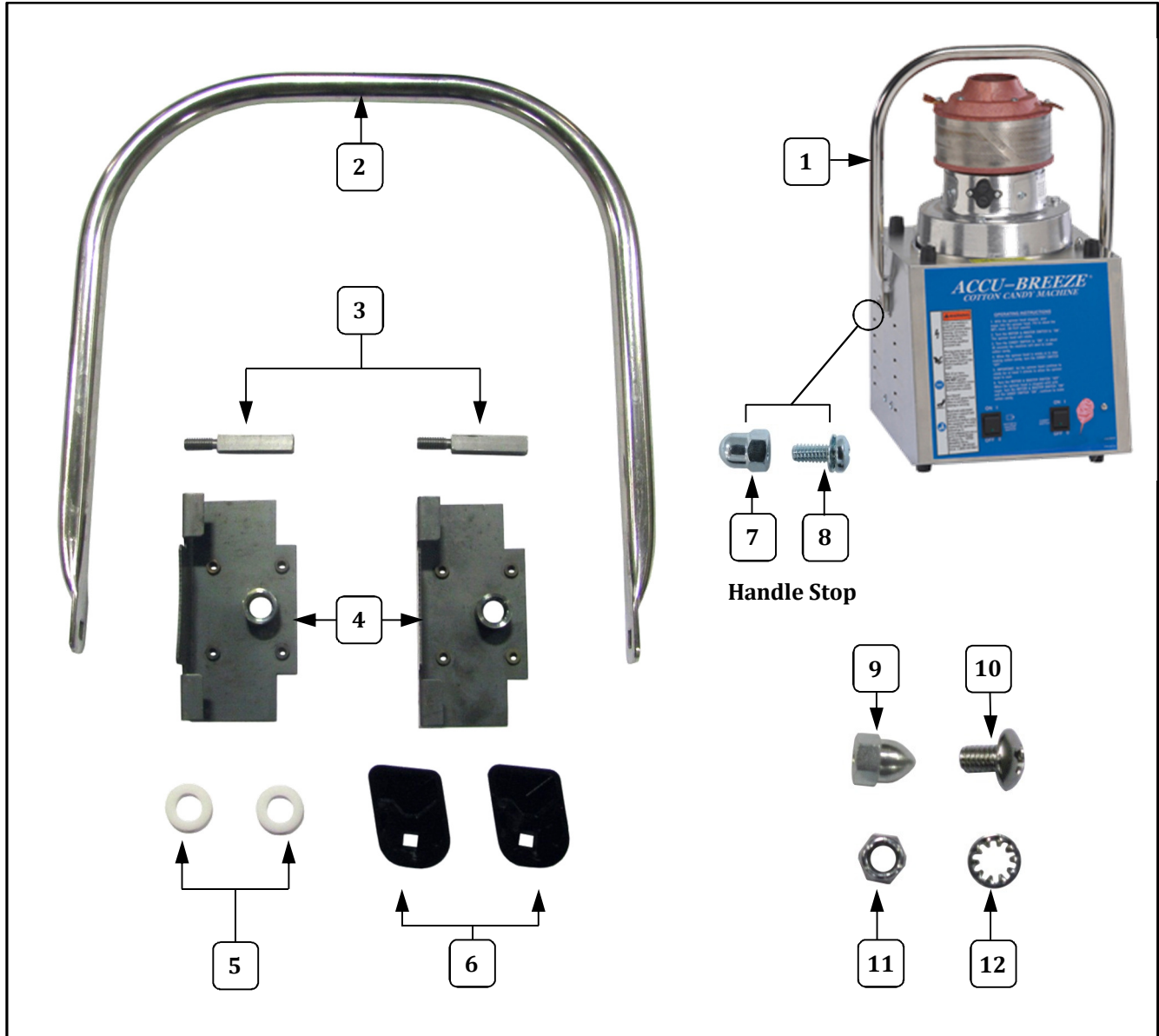
Item	Part Description	Qty.	Part No.
			3017SR
1	LOCK N GO HANDLE COMPLETE ASSY	1	<a href="#">42469</a>
2	LOCK N GO HANDLE FINISHED	1	<a href="#">42464</a>
3	CLAMPING SHAFT	2	<a href="#">42462</a>
4	CLAMPING BRACKET ASSY	2	<a href="#">42467</a>
5	HANDLE SPACER	2	<a href="#">42468</a>
6	CLAMPING CAM	2	<a href="#">42460</a>
7	ACORN NUT #8-32	1	<a href="#">47702</a>
8	8-32 X 3/8 PH PAN W/SEMS	8	<a href="#">42227</a>
9	ACORN NUT 5/16-18	2	<a href="#">77610</a>
10	SCREW 5/16-18 X 1/2 PH TR M/S	2	<a href="#">12183</a>
11	HEX NUT 5/16-18 ESLOK	2	<a href="#">12001</a>
12	WASHER 5/16 INTERNAL TOOTH	2	<a href="#">74137</a>

### 3017SR – Handle Parts



Item	Part Description	Qty.	Part No.
			3017SR
1	LOCK N GO HANDLE COMPLETE ASSY	1	<a href="#">42469</a>
2	LOCK N GO HANDLE FINISHED	1	<a href="#">42464</a>
3	CLAMPING SHAFT	2	<a href="#">42462</a>
4	CLAMPING BRACKET ASSY	2	<a href="#">42467</a>
5	HANDLE SPACER	2	<a href="#">42468</a>
6	CLAMPING CAM	2	<a href="#">42460</a>
7	ACORN NUT #8-32	1	<a href="#">47702</a>
8	8-32 X 3/8 PH PAN W/SEMS	8	<a href="#">42227</a>
9	ACORN NUT 5/16-18	2	<a href="#">77610</a>
10	SCREW 5/16-18 X 1/2 PH TR M/S	2	<a href="#">12183</a>
11	HEX NUT 5/16-18 ESLOK	2	<a href="#">12001</a>
12	WASHER 5/16 INTERNAL TOOTH	2	<a href="#">74137</a>

## 3017SR – Handle Parts



Item	Part Description	Qty.	Part No.
			3017SR
1	LOCK N GO HANDLE COMPLETE ASSY	1	<a href="#">42469</a>
2	LOCK N GO HANDLE FINISHED	1	<a href="#">42464</a>
3	CLAMPING SHAFT	2	<a href="#">42462</a>
4	CLAMPING BRACKET ASSY	2	<a href="#">42467</a>
5	HANDLE SPACER	2	<a href="#">42468</a>
6	CLAMPING CAM	2	<a href="#">42460</a>
7	ACORN NUT #8-32	1	<a href="#">47702</a>
8	8-32 X 3/8 PH PAN W/SEMS	8	<a href="#">42227</a>
9	ACORN NUT 5/16-18	2	<a href="#">77610</a>
10	SCREW 5/16-18 X 1/2 PH TR M/S	2	<a href="#">12183</a>
11	HEX NUT 5/16-18 ESLOK	2	<a href="#">12001</a>
12	WASHER 5/16 INTERNAL TOOTH	2	<a href="#">74137</a>