



## Parts List - Floss Machine Exterior View

Item	Part Description	Qty.	Part Number	
			3024	3024EX
1	SPINNER HEAD COMPLETE 5IN	1	42283	42283EX
2	INSP.COVER,FOUR BRUSH	2	42381	42381
3	8-32 X 1/2 SLOTTED H W H	4	49379	49379
4	BELL HOUSING, DUAL BRUSH	1	42190	42190
5	ACORN NUT 1/4-20	3	49068	49068
6	NAMEPLATE	1	12602	42594
7	KNOB, HEAT CONTROL	1	42556	
	KNOB, PAKTRONIC CONTROL	1		40793
8	STRAIN RELIEF #SR-6P3-4	1	76026	
	IEC RECEPTACLE C14	1		55511
9	LEAD-IN CORD 15 AMP PLUG	1	22038	
	POWER CORD IEC SCHUKO	1		42372
10	SWITCH, LIGHTED ROCKER GR	2	42798	42798
11	BOTTOM PLATE NS	1	42448	42448
12	RUBBER FEET 3/4IN HIGH	8	47155	47155
13	HANDLE	2	67069	67069
14	KNOB SHIPPING BRACKET	2	42150	42150
15	SHIPPING BRACKET ASSY	1	69839	69839
16	BRUSH HOLDER ASSY (Includes Brushes, Caps, Holders)	2	42382W	42383W
17	CAP, BRUSH HOLDER	4	42138	42138
18	CARBON BRUSH	4	55007	55007
19	DUAL BRUSH HOLDER W/LEADS	2	42436W	42384W

## Floss Pan and Whirlgrip Stabilizer



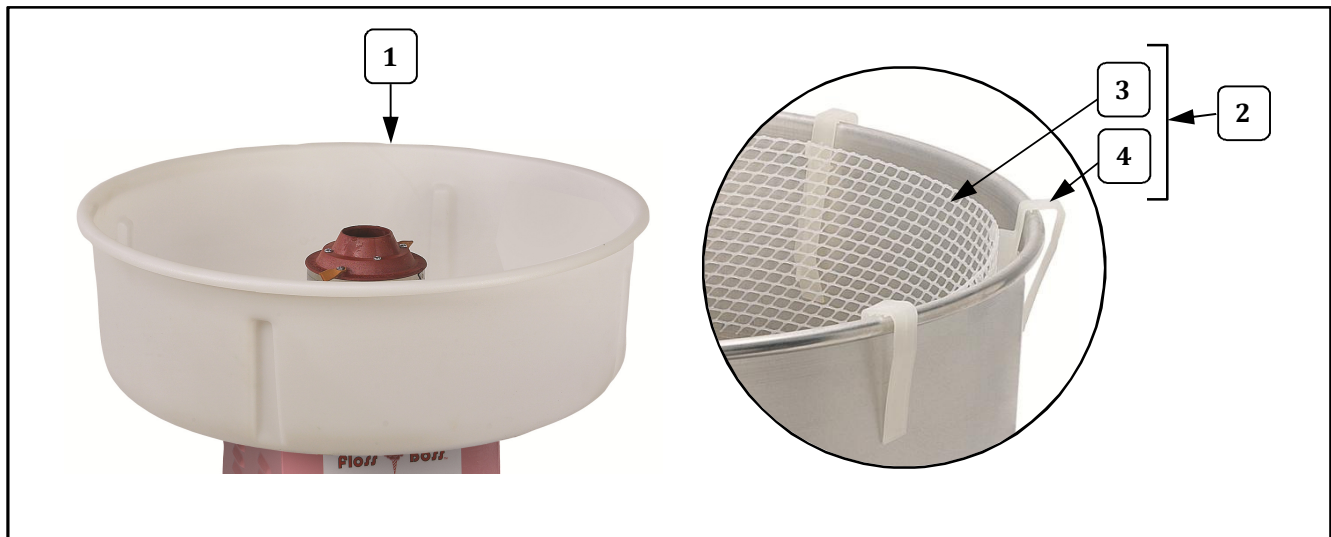
Item	Part Description	Qty.	Part Number	
			3024	3024EX
1	FLOSS PAN	1	42040NMR	42040NMR
2	WHIRLGRIP STABILIZER (Includes Floss Stabilizer and Clips)	1	3010NM	3010NM
3	FLOSS STABILIZER (Web)	1	43032NM	43032NM
4	WHIRLGRIP CLIPS	5	77470	77470



## Parts List - Floss Machine Exterior View

Item	Part Description	Qty.	Part Number	
			3024	3024EX
1	SPINNER HEAD COMPLETE 5IN	1	42283	42283EX
2	INSP.COVER,FOUR BRUSH	2	42381	42381
3	8-32 X 1/2 SLOTTED H W H	4	49379	49379
4	BELL HOUSING, DUAL BRUSH	1	42190	42190
5	ACORN NUT 1/4-20	3	49068	49068
6	NAMEPLATE	1	12602	42594
7	KNOB, HEAT CONTROL	1	42556	
	KNOB, PAKTRONIC CONTROL	1		40793
8	STRAIN RELIEF #SR-6P3-4	1	76026	
	IEC RECEPTACLE C14	1		55511
9	LEAD-IN CORD 15 AMP PLUG	1	22038	
	POWER CORD IEC SCHUKO	1		42372
10	SWITCH, LIGHTED ROCKER GR	2	42798	42798
11	BOTTOM PLATE NS	1	42448	42448
12	RUBBER FEET 3/4IN HIGH	8	47155	47155
13	HANDLE	2	67069	67069
14	KNOB SHIPPING BRACKET	2	42150	42150
15	SHIPPING BRACKET ASSY	1	69839	69839
16	BRUSH HOLDER ASSY (Includes Brushes, Caps, Holders)	2	42382W	42383W
17	CAP, BRUSH HOLDER	4	42138	42138
18	CARBON BRUSH	4	55007	55007
19	DUAL BRUSH HOLDER W/LEADS	2	42436W	42384W

## Floss Pan and Whirlgrip Stabilizer



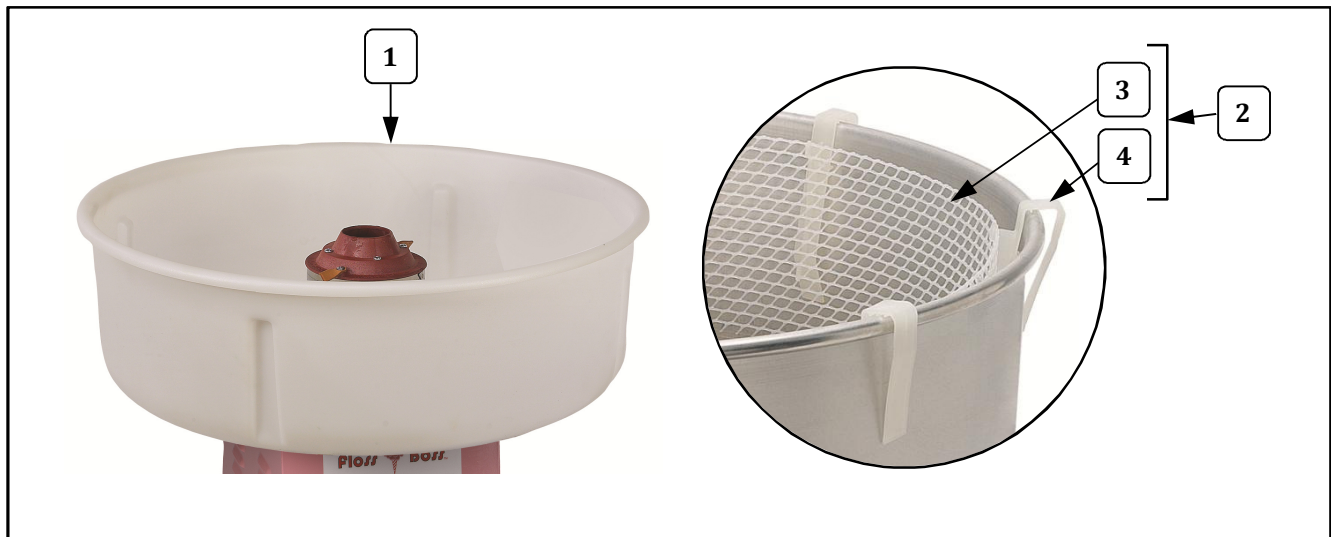
Item	Part Description	Qty.	Part Number	
			3024	3024EX
1	FLOSS PAN	1	42040NMR	42040NMR
2	WHIRLGRIP STABILIZER (Includes Floss Stabilizer and Clips)	1	3010NM	3010NM
3	FLOSS STABILIZER (Web)	1	43032NM	43032NM
4	WHIRLGRIP CLIPS	5	77470	77470



## Parts List - Floss Machine Exterior View

Item	Part Description	Qty.	Part Number	
			3024	3024EX
1	SPINNER HEAD COMPLETE 5IN	1	42283	42283EX
2	INSP.COVER,FOUR BRUSH	2	42381	42381
3	8-32 X 1/2 SLOTTED H W H	4	49379	49379
4	BELL HOUSING, DUAL BRUSH	1	42190	42190
5	ACORN NUT 1/4-20	3	49068	49068
6	NAMEPLATE	1	12602	42594
7	KNOB, HEAT CONTROL	1	42556	
	KNOB, PAKTRONIC CONTROL	1		40793
8	STRAIN RELIEF #SR-6P3-4	1	76026	
	IEC RECEPTACLE C14	1		55511
9	LEAD-IN CORD 15 AMP PLUG	1	22038	
	POWER CORD IEC SCHUKO	1		42372
10	SWITCH, LIGHTED ROCKER GR	2	42798	42798
11	BOTTOM PLATE NS	1	42448	42448
12	RUBBER FEET 3/4IN HIGH	8	47155	47155
13	HANDLE	2	67069	67069
14	KNOB SHIPPING BRACKET	2	42150	42150
15	SHIPPING BRACKET ASSY	1	69839	69839
16	BRUSH HOLDER ASSY (Includes Brushes, Caps, Holders)	2	42382W	42383W
17	CAP, BRUSH HOLDER	4	42138	42138
18	CARBON BRUSH	4	55007	55007
19	DUAL BRUSH HOLDER W/LEADS	2	42436W	42384W

## Floss Pan and Whirlgrip Stabilizer



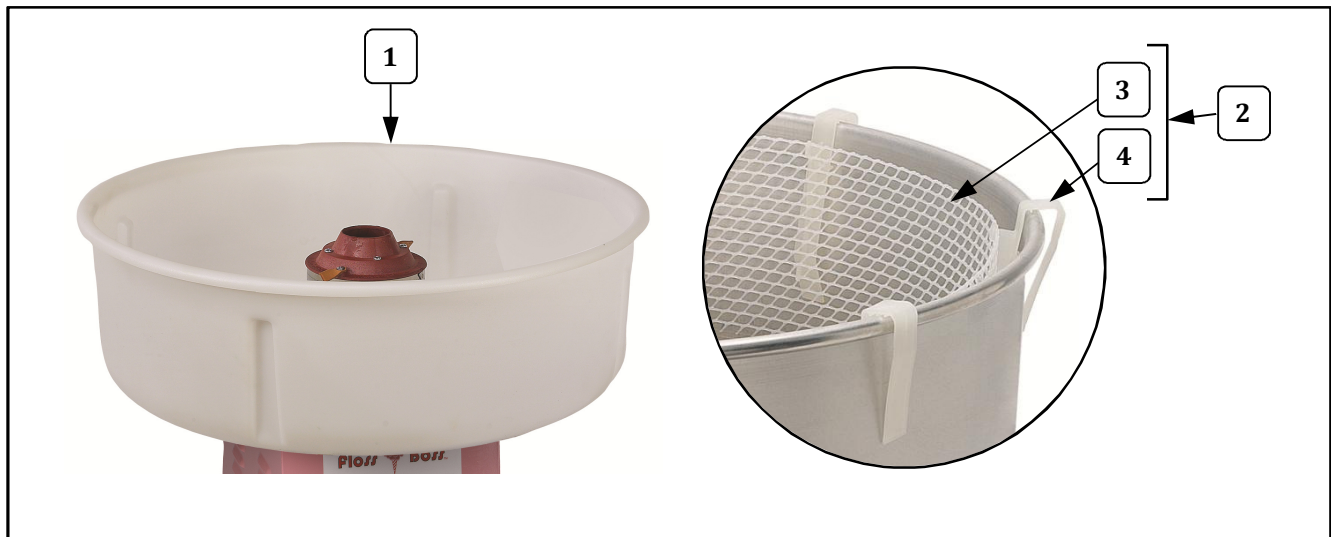
Item	Part Description	Qty.	Part Number	
			3024	3024EX
1	FLOSS PAN	1	42040NMR	42040NMR
2	WHIRLGRIP STABILIZER (Includes Floss Stabilizer and Clips)	1	3010NM	3010NM
3	FLOSS STABILIZER (Web)	1	43032NM	43032NM
4	WHIRLGRIP CLIPS	5	77470	77470



## Parts List - Floss Machine Exterior View

Item	Part Description	Qty.	Part Number	
			3024	3024EX
1	SPINNER HEAD COMPLETE 5IN	1	42283	42283EX
2	INSP.COVER,FOUR BRUSH	2	42381	42381
3	8-32 X 1/2 SLOTTED H W H	4	49379	49379
4	BELL HOUSING, DUAL BRUSH	1	42190	42190
5	ACORN NUT 1/4-20	3	49068	49068
6	NAMEPLATE	1	12602	42594
7	KNOB, HEAT CONTROL	1	42556	
	KNOB, PAKTRONIC CONTROL	1		40793
8	STRAIN RELIEF #SR-6P3-4	1	76026	
	IEC RECEPTACLE C14	1		55511
9	LEAD-IN CORD 15 AMP PLUG	1	22038	
	POWER CORD IEC SCHUKO	1		42372
10	SWITCH, LIGHTED ROCKER GR	2	42798	42798
11	BOTTOM PLATE NS	1	42448	42448
12	RUBBER FEET 3/4IN HIGH	8	47155	47155
13	HANDLE	2	67069	67069
14	KNOB SHIPPING BRACKET	2	42150	42150
15	SHIPPING BRACKET ASSY	1	69839	69839
16	BRUSH HOLDER ASSY (Includes Brushes, Caps, Holders)	2	42382W	42383W
17	CAP, BRUSH HOLDER	4	42138	42138
18	CARBON BRUSH	4	55007	55007
19	DUAL BRUSH HOLDER W/LEADS	2	42436W	42384W

## Floss Pan and Whirlgrip Stabilizer



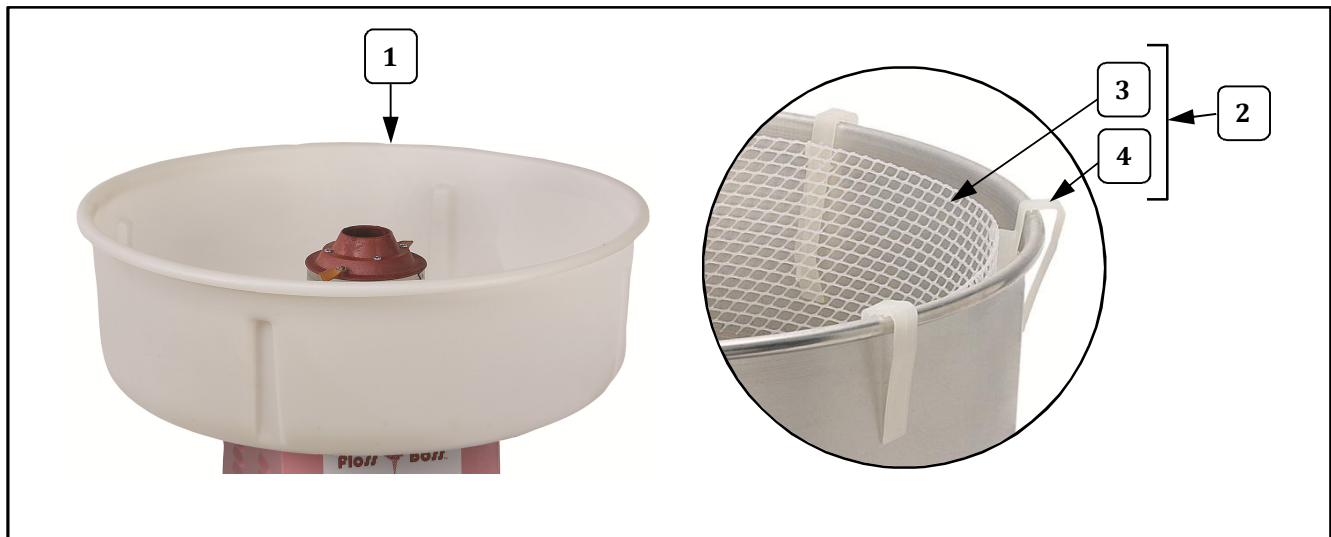
Item	Part Description	Qty.	Part Number	
			3024	3024EX
1	FLOSS PAN	1	42040NMR	42040NMR
2	WHIRLGRIP STABILIZER (Includes Floss Stabilizer and Clips)	1	3010NM	3010NM
3	FLOSS STABILIZER (Web)	1	43032NM	43032NM
4	WHIRLGRIP CLIPS	5	77470	77470



## Parts List - Floss Machine Exterior View

Item	Part Description	Qty.	Part Number	
			3024	3024EX
1	SPINNER HEAD COMPLETE 5IN	1	42283	42283EX
2	INSP.COVER,FOUR BRUSH	2	42381	42381
3	8-32 X 1/2 SLOTTED H W H	4	49379	49379
4	BELL HOUSING, DUAL BRUSH	1	42190	42190
5	ACORN NUT 1/4-20	3	49068	49068
6	NAMEPLATE	1	12602	42594
7	KNOB, HEAT CONTROL	1	42556	
	KNOB, PAKTRONIC CONTROL	1		40793
8	STRAIN RELIEF #SR-6P3-4	1	76026	
	IEC RECEPTACLE C14	1		55511
9	LEAD-IN CORD 15 AMP PLUG	1	22038	
	POWER CORD IEC SCHUKO	1		42372
10	SWITCH, LIGHTED ROCKER GR	2	42798	42798
11	BOTTOM PLATE NS	1	42448	42448
12	RUBBER FEET 3/4IN HIGH	8	47155	47155
13	HANDLE	2	67069	67069
14	KNOB SHIPPING BRACKET	2	42150	42150
15	SHIPPING BRACKET ASSY	1	69839	69839
16	BRUSH HOLDER ASSY (Includes Brushes, Caps, Holders)	2	42382W	42383W
17	CAP, BRUSH HOLDER	4	42138	42138
18	CARBON BRUSH	4	55007	55007
19	DUAL BRUSH HOLDER W/LEADS	2	42436W	42384W

## Floss Pan and Whirlgrip Stabilizer



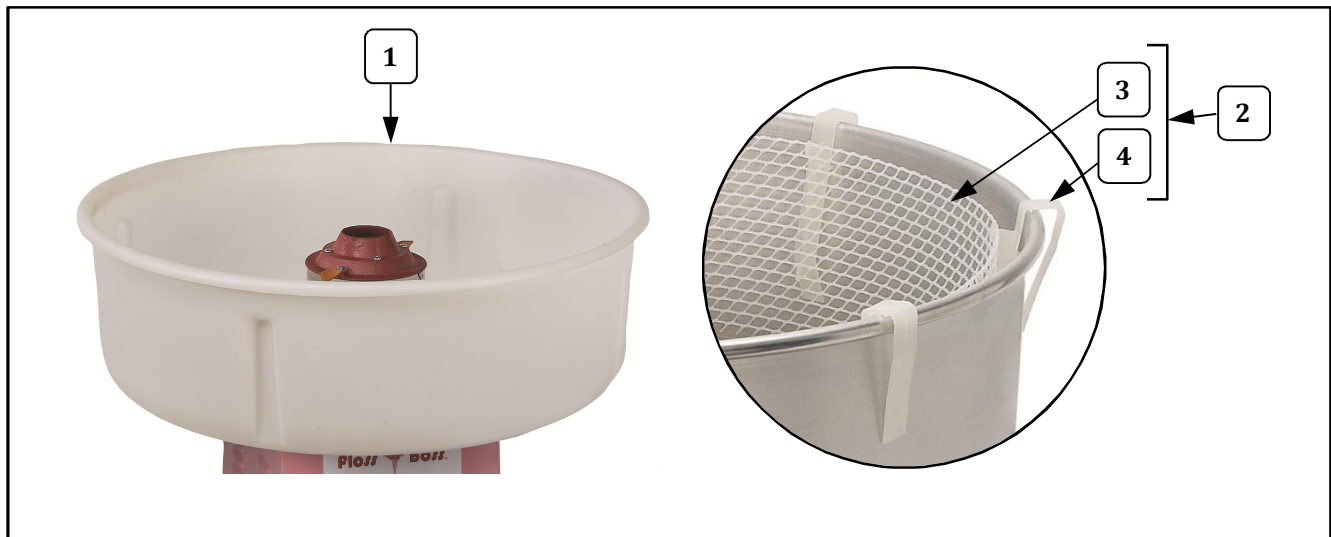
Item	Part Description	Qty.	Part Number	
			3024	3024EX
1	FLOSS PAN	1	42040NMR	42040NMR
2	WHIRLGRIP STABILIZER (Includes Floss Stabilizer and Clips)	1	3010NM	3010NM
3	FLOSS STABILIZER (Web)	1	43032NM	43032NM
4	WHIRLGRIP CLIPS	5	77470	77470



## Parts List - Floss Machine Exterior View

Item	Part Description	Qty.	Part Number	
			3024	3024EX
1	SPINNER HEAD COMPLETE 5IN	1	42283	42283EX
2	INSP.COVER,FOUR BRUSH	2	42381	42381
3	8-32 X 1/2 SLOTTED H W H	4	49379	49379
4	BELL HOUSING, DUAL BRUSH	1	42190	42190
5	ACORN NUT 1/4-20	3	49068	49068
6	NAMEPLATE	1	12602	42594
7	KNOB, HEAT CONTROL	1	42556	
	KNOB, PAKTRONIC CONTROL	1		40793
8	STRAIN RELIEF #SR-6P3-4	1	76026	
	IEC RECEPTACLE C14	1		55511
9	LEAD-IN CORD 15 AMP PLUG	1	22038	
	POWER CORD IEC SCHUKO	1		42372
10	SWITCH, LIGHTED ROCKER GR	2	42798	42798
11	BOTTOM PLATE NS	1	42448	42448
12	RUBBER FEET 3/4IN HIGH	8	47155	47155
13	HANDLE	2	67069	67069
14	KNOB SHIPPING BRACKET	2	42150	42150
15	SHIPPING BRACKET ASSY	1	69839	69839
16	BRUSH HOLDER ASSY (Includes Brushes, Caps, Holders)	2	42382W	42383W
17	CAP, BRUSH HOLDER	4	42138	42138
18	CARBON BRUSH	4	55007	55007
19	DUAL BRUSH HOLDER W/LEADS	2	42436W	42384W

## Floss Pan and Whirlgrip Stabilizer



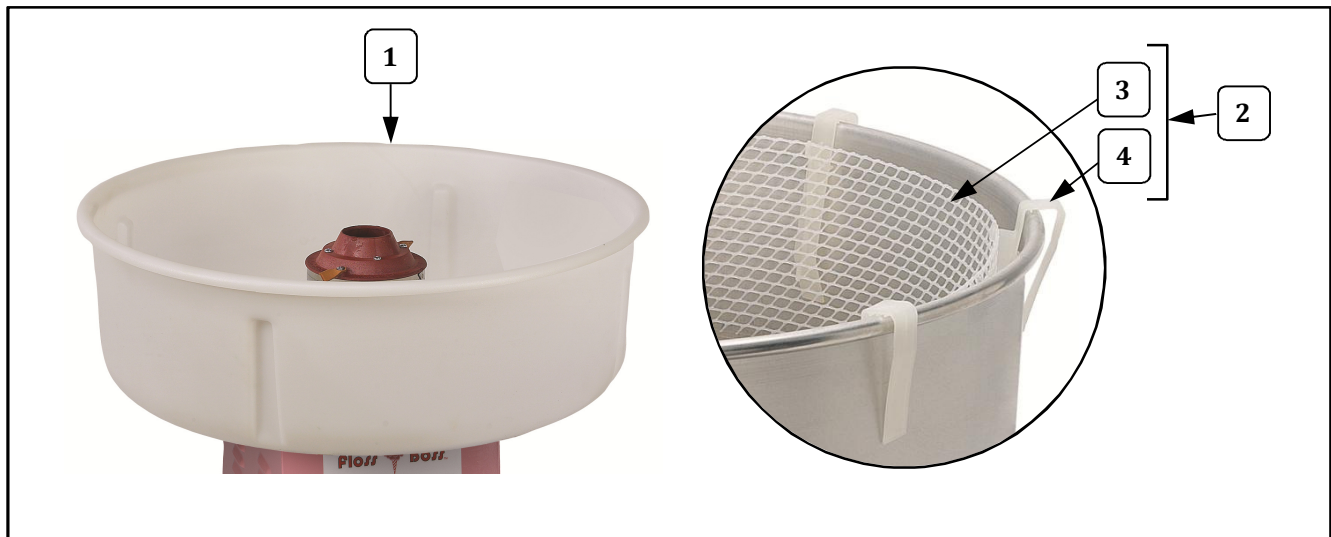
Item	Part Description	Qty.	Part Number	
			3024	3024EX
1	FLOSS PAN	1	42040NMR	42040NMR
2	WHIRLGRIP STABILIZER (Includes Floss Stabilizer and Clips)	1	3010NM	3010NM
3	FLOSS STABILIZER (Web)	1	43032NM	43032NM
4	WHIRLGRIP CLIPS	5	77470	77470



## Parts List - Floss Machine Exterior View

Item	Part Description	Qty.	Part Number	
			3024	3024EX
1	SPINNER HEAD COMPLETE 5IN	1	42283	42283EX
2	INSP.COVER,FOUR BRUSH	2	42381	42381
3	8-32 X 1/2 SLOTTED H W H	4	49379	49379
4	BELL HOUSING, DUAL BRUSH	1	42190	42190
5	ACORN NUT 1/4-20	3	49068	49068
6	NAMEPLATE	1	12602	42594
7	KNOB, HEAT CONTROL	1	42556	
	KNOB, PAKTRONIC CONTROL	1		40793
8	STRAIN RELIEF #SR-6P3-4	1	76026	
	IEC RECEPTACLE C14	1		55511
9	LEAD-IN CORD 15 AMP PLUG	1	22038	
	POWER CORD IEC SCHUKO	1		42372
10	SWITCH, LIGHTED ROCKER GR	2	42798	42798
11	BOTTOM PLATE NS	1	42448	42448
12	RUBBER FEET 3/4IN HIGH	8	47155	47155
13	HANDLE	2	67069	67069
14	KNOB SHIPPING BRACKET	2	42150	42150
15	SHIPPING BRACKET ASSY	1	69839	69839
16	BRUSH HOLDER ASSY (Includes Brushes, Caps, Holders)	2	42382W	42383W
17	CAP, BRUSH HOLDER	4	42138	42138
18	CARBON BRUSH	4	55007	55007
19	DUAL BRUSH HOLDER W/LEADS	2	42436W	42384W

## Floss Pan and Whirlgrip Stabilizer



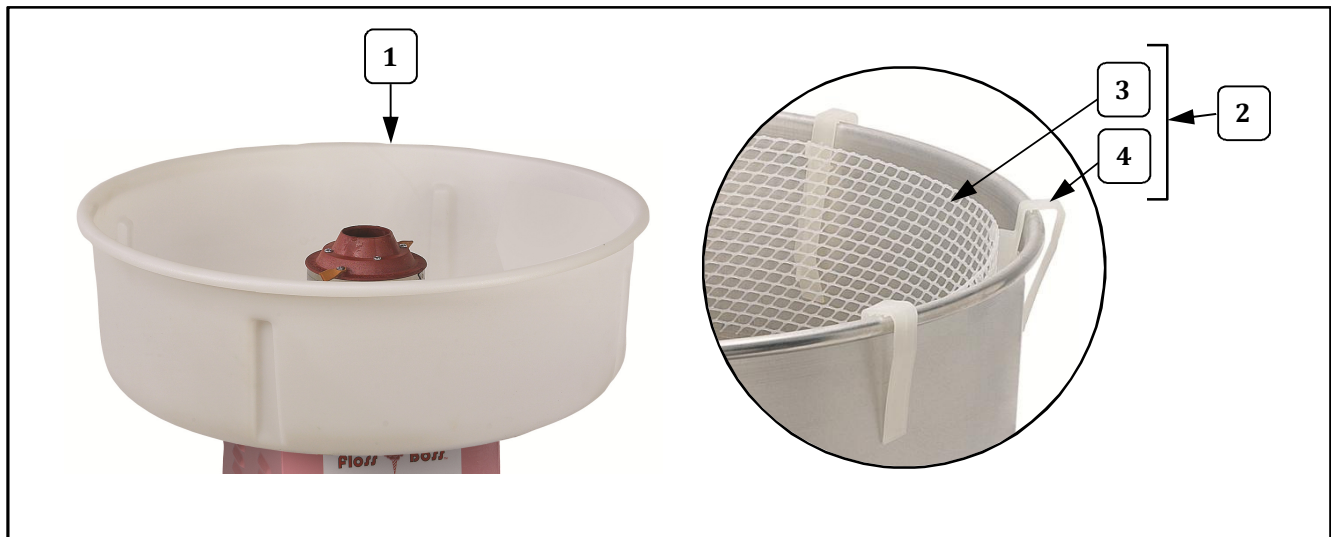
Item	Part Description	Qty.	Part Number	
			3024	3024EX
1	FLOSS PAN	1	42040NMR	42040NMR
2	WHIRLGRIP STABILIZER (Includes Floss Stabilizer and Clips)	1	3010NM	3010NM
3	FLOSS STABILIZER (Web)	1	43032NM	43032NM
4	WHIRLGRIP CLIPS	5	77470	77470



## Parts List - Floss Machine Exterior View

Item	Part Description	Qty.	Part Number	
			3024	3024EX
1	SPINNER HEAD COMPLETE 5IN	1	42283	42283EX
2	INSP.COVER,FOUR BRUSH	2	42381	42381
3	8-32 X 1/2 SLOTTED H W H	4	49379	49379
4	BELL HOUSING, DUAL BRUSH	1	42190	42190
5	ACORN NUT 1/4-20	3	49068	49068
6	NAMEPLATE	1	12602	42594
7	KNOB, HEAT CONTROL	1	42556	
	KNOB, PAKTRONIC CONTROL	1		40793
8	STRAIN RELIEF #SR-6P3-4	1	76026	
	IEC RECEPTACLE C14	1		55511
9	LEAD-IN CORD 15 AMP PLUG	1	22038	
	POWER CORD IEC SCHUKO	1		42372
10	SWITCH, LIGHTED ROCKER GR	2	42798	42798
11	BOTTOM PLATE NS	1	42448	42448
12	RUBBER FEET 3/4IN HIGH	8	47155	47155
13	HANDLE	2	67069	67069
14	KNOB SHIPPING BRACKET	2	42150	42150
15	SHIPPING BRACKET ASSY	1	69839	69839
16	BRUSH HOLDER ASSY (Includes Brushes, Caps, Holders)	2	42382W	42383W
17	CAP, BRUSH HOLDER	4	42138	42138
18	CARBON BRUSH	4	55007	55007
19	DUAL BRUSH HOLDER W/LEADS	2	42436W	42384W

## Floss Pan and Whirlgrip Stabilizer



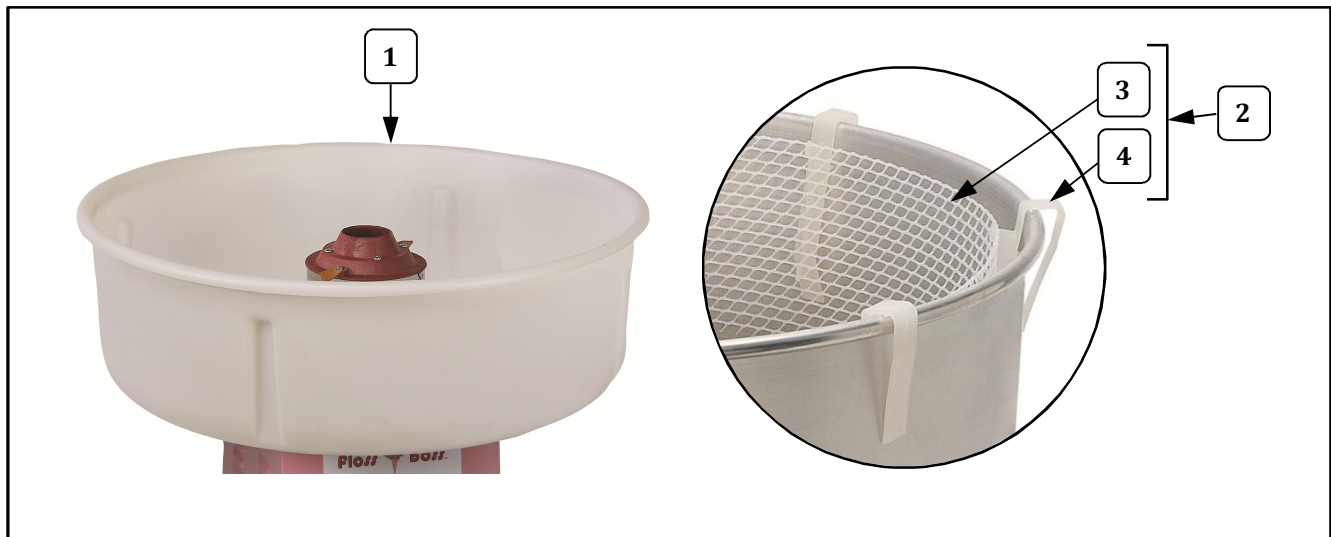
Item	Part Description	Qty.	Part Number	
			3024	3024EX
1	FLOSS PAN	1	42040NMR	42040NMR
2	WHIRLGRIP STABILIZER (Includes Floss Stabilizer and Clips)	1	3010NM	3010NM
3	FLOSS STABILIZER (Web)	1	43032NM	43032NM
4	WHIRLGRIP CLIPS	5	77470	77470



## Parts List - Floss Machine Exterior View

Item	Part Description	Qty.	Part Number	
			3024	3024EX
1	SPINNER HEAD COMPLETE 5IN	1	42283	42283EX
2	INSP.COVER,FOUR BRUSH	2	42381	42381
3	8-32 X 1/2 SLOTTED H W H	4	49379	49379
4	BELL HOUSING, DUAL BRUSH	1	42190	42190
5	ACORN NUT 1/4-20	3	49068	49068
6	NAMEPLATE	1	12602	42594
7	KNOB, HEAT CONTROL	1	42556	
	KNOB, PAKTRONIC CONTROL	1		40793
8	STRAIN RELIEF #SR-6P3-4	1	76026	
	IEC RECEPTACLE C14	1		55511
9	LEAD-IN CORD 15 AMP PLUG	1	22038	
	POWER CORD IEC SCHUKO	1		42372
10	SWITCH, LIGHTED ROCKER GR	2	42798	42798
11	BOTTOM PLATE NS	1	42448	42448
12	RUBBER FEET 3/4IN HIGH	8	47155	47155
13	HANDLE	2	67069	67069
14	KNOB SHIPPING BRACKET	2	42150	42150
15	SHIPPING BRACKET ASSY	1	69839	69839
16	BRUSH HOLDER ASSY (Includes Brushes, Caps, Holders)	2	42382W	42383W
17	CAP, BRUSH HOLDER	4	42138	42138
18	CARBON BRUSH	4	55007	55007
19	DUAL BRUSH HOLDER W/LEADS	2	42436W	42384W

## Floss Pan and Whirlgrip Stabilizer



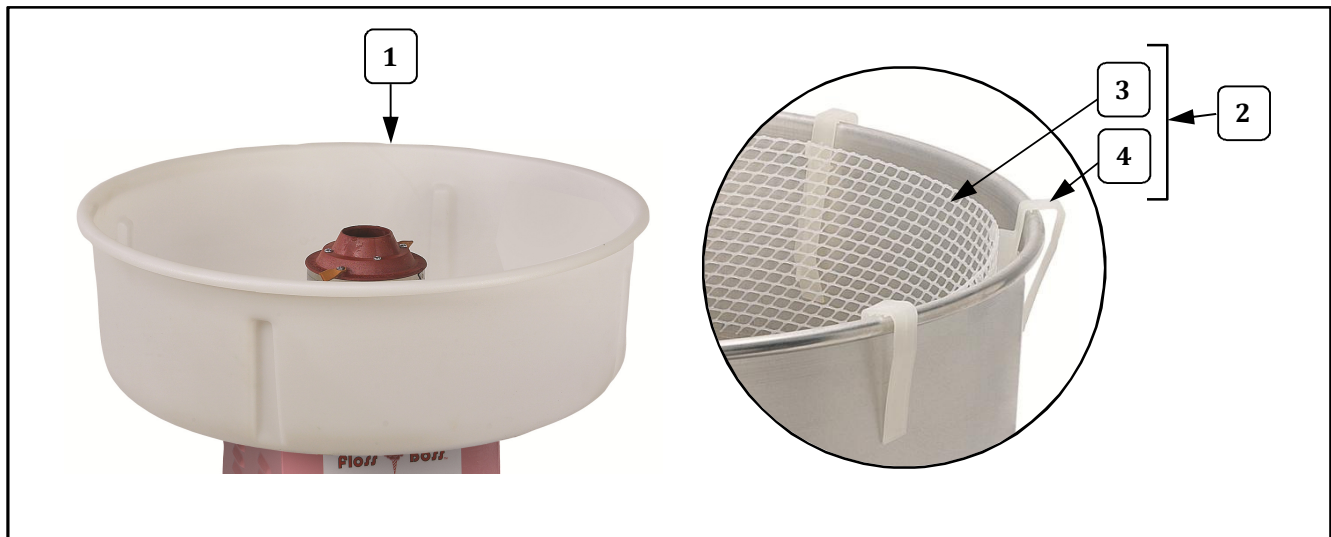
Item	Part Description	Qty.	Part Number	
			3024	3024EX
1	FLOSS PAN	1	42040NMR	42040NMR
2	WHIRLGRIP STABILIZER (Includes Floss Stabilizer and Clips)	1	3010NM	3010NM
3	FLOSS STABILIZER (Web)	1	43032NM	43032NM
4	WHIRLGRIP CLIPS	5	77470	77470



## Parts List - Floss Machine Exterior View

Item	Part Description	Qty.	Part Number	
			3024	3024EX
1	SPINNER HEAD COMPLETE 5IN	1	42283	42283EX
2	INSP.COVER,FOUR BRUSH	2	42381	42381
3	8-32 X 1/2 SLOTTED H W H	4	49379	49379
4	BELL HOUSING, DUAL BRUSH	1	42190	42190
5	ACORN NUT 1/4-20	3	49068	49068
6	NAMEPLATE	1	12602	42594
7	KNOB, HEAT CONTROL	1	42556	
	KNOB, PAKTRONIC CONTROL	1		40793
8	STRAIN RELIEF #SR-6P3-4	1	76026	
	IEC RECEPTACLE C14	1		55511
9	LEAD-IN CORD 15 AMP PLUG	1	22038	
	POWER CORD IEC SCHUKO	1		42372
10	SWITCH, LIGHTED ROCKER GR	2	42798	42798
11	BOTTOM PLATE NS	1	42448	42448
12	RUBBER FEET 3/4IN HIGH	8	47155	47155
13	HANDLE	2	67069	67069
14	KNOB SHIPPING BRACKET	2	42150	42150
15	SHIPPING BRACKET ASSY	1	69839	69839
16	BRUSH HOLDER ASSY (Includes Brushes, Caps, Holders)	2	42382W	42383W
17	CAP, BRUSH HOLDER	4	42138	42138
18	CARBON BRUSH	4	55007	55007
19	DUAL BRUSH HOLDER W/LEADS	2	42436W	42384W

## Floss Pan and Whirlgrip Stabilizer



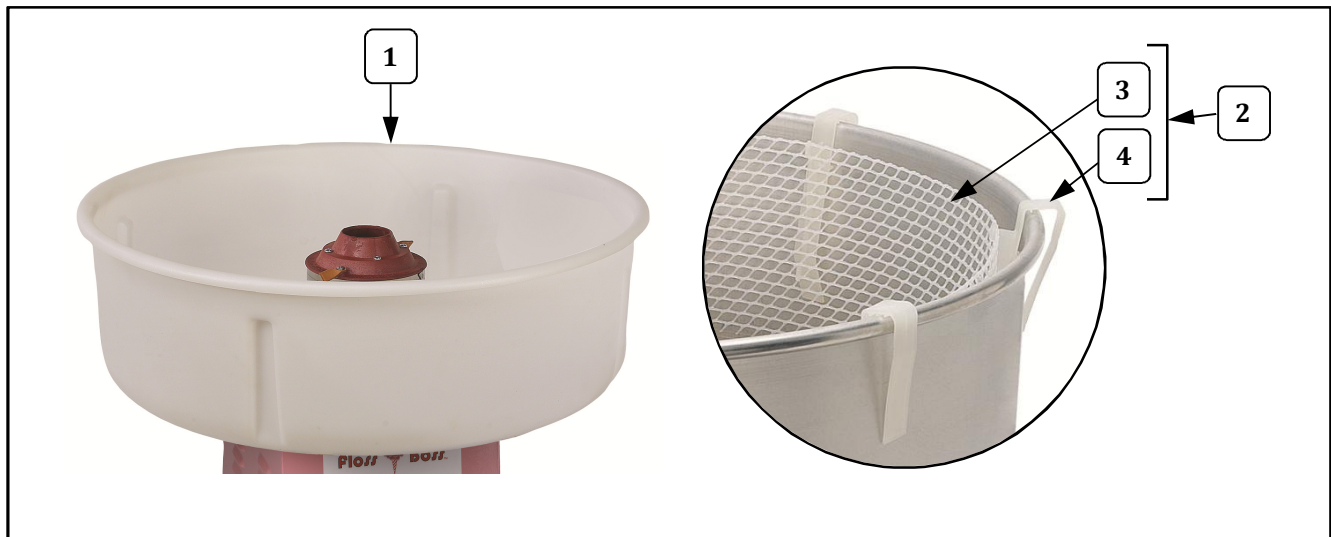
Item	Part Description	Qty.	Part Number	
			3024	3024EX
1	FLOSS PAN	1	42040NMR	42040NMR
2	WHIRLGRIP STABILIZER (Includes Floss Stabilizer and Clips)	1	3010NM	3010NM
3	FLOSS STABILIZER (Web)	1	43032NM	43032NM
4	WHIRLGRIP CLIPS	5	77470	77470



## Parts List - Floss Machine Exterior View

Item	Part Description	Qty.	Part Number	
			3024	3024EX
1	SPINNER HEAD COMPLETE 5IN	1	42283	42283EX
2	INSP.COVER,FOUR BRUSH	2	42381	42381
3	8-32 X 1/2 SLOTTED H W H	4	49379	49379
4	BELL HOUSING, DUAL BRUSH	1	42190	42190
5	ACORN NUT 1/4-20	3	49068	49068
6	NAMEPLATE	1	12602	42594
7	KNOB, HEAT CONTROL	1	42556	
	KNOB, PAKTRONIC CONTROL	1		40793
8	STRAIN RELIEF #SR-6P3-4	1	76026	
	IEC RECEPTACLE C14	1		55511
9	LEAD-IN CORD 15 AMP PLUG	1	22038	
	POWER CORD IEC SCHUKO	1		42372
10	SWITCH, LIGHTED ROCKER GR	2	42798	42798
11	BOTTOM PLATE NS	1	42448	42448
12	RUBBER FEET 3/4IN HIGH	8	47155	47155
13	HANDLE	2	67069	67069
14	KNOB SHIPPING BRACKET	2	42150	42150
15	SHIPPING BRACKET ASSY	1	69839	69839
16	BRUSH HOLDER ASSY (Includes Brushes, Caps, Holders)	2	42382W	42383W
17	CAP, BRUSH HOLDER	4	42138	42138
18	CARBON BRUSH	4	55007	55007
19	DUAL BRUSH HOLDER W/LEADS	2	42436W	42384W

## Floss Pan and Whirlgrip Stabilizer



Item	Part Description	Qty.	Part Number	
			3024	3024EX
1	FLOSS PAN	1	42040NMR	42040NMR
2	WHIRLGRIP STABILIZER (Includes Floss Stabilizer and Clips)	1	3010NM	3010NM
3	FLOSS STABILIZER (Web)	1	43032NM	43032NM
4	WHIRLGRIP CLIPS	5	77470	77470



## Parts List - Floss Machine Exterior View

Item	Part Description	Qty.	Part Number	
			3024	3024EX
1	SPINNER HEAD COMPLETE 5IN	1	42283	42283EX
2	INSP.COVER,FOUR BRUSH	2	42381	42381
3	8-32 X 1/2 SLOTTED H W H	4	49379	49379
4	BELL HOUSING, DUAL BRUSH	1	42190	42190
5	ACORN NUT 1/4-20	3	49068	49068
6	NAMEPLATE	1	12602	42594
7	KNOB, HEAT CONTROL	1	42556	
	KNOB, PAKTRONIC CONTROL	1		40793
8	STRAIN RELIEF #SR-6P3-4	1	76026	
	IEC RECEPTACLE C14	1		55511
9	LEAD-IN CORD 15 AMP PLUG	1	22038	
	POWER CORD IEC SCHUKO	1		42372
10	SWITCH, LIGHTED ROCKER GR	2	42798	42798
11	BOTTOM PLATE NS	1	42448	42448
12	RUBBER FEET 3/4IN HIGH	8	47155	47155
13	HANDLE	2	67069	67069
14	KNOB SHIPPING BRACKET	2	42150	42150
15	SHIPPING BRACKET ASSY	1	69839	69839
16	BRUSH HOLDER ASSY (Includes Brushes, Caps, Holders)	2	42382W	42383W
17	CAP, BRUSH HOLDER	4	42138	42138
18	CARBON BRUSH	4	55007	55007
19	DUAL BRUSH HOLDER W/LEADS	2	42436W	42384W

## Floss Pan and Whirlgrip Stabilizer



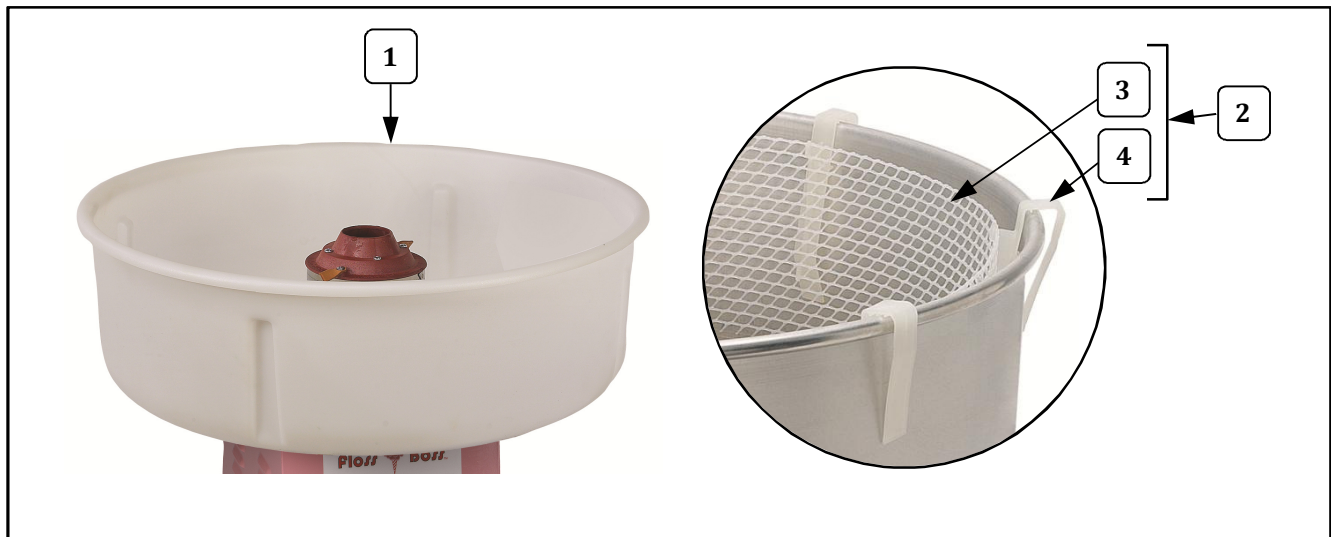
Item	Part Description	Qty.	Part Number	
			3024	3024EX
1	FLOSS PAN	1	42040NMR	42040NMR
2	WHIRLGRIP STABILIZER (Includes Floss Stabilizer and Clips)	1	3010NM	3010NM
3	FLOSS STABILIZER (Web)	1	43032NM	43032NM
4	WHIRLGRIP CLIPS	5	77470	77470



## Parts List - Floss Machine Exterior View

Item	Part Description	Qty.	Part Number	
			3024	3024EX
1	SPINNER HEAD COMPLETE 5IN	1	42283	42283EX
2	INSP.COVER,FOUR BRUSH	2	42381	42381
3	8-32 X 1/2 SLOTTED H W H	4	49379	49379
4	BELL HOUSING, DUAL BRUSH	1	42190	42190
5	ACORN NUT 1/4-20	3	49068	49068
6	NAMEPLATE	1	12602	42594
7	KNOB, HEAT CONTROL	1	42556	
	KNOB, PAKTRONIC CONTROL	1		40793
8	STRAIN RELIEF #SR-6P3-4	1	76026	
	IEC RECEPTACLE C14	1		55511
9	LEAD-IN CORD 15 AMP PLUG	1	22038	
	POWER CORD IEC SCHUKO	1		42372
10	SWITCH, LIGHTED ROCKER GR	2	42798	42798
11	BOTTOM PLATE NS	1	42448	42448
12	RUBBER FEET 3/4IN HIGH	8	47155	47155
13	HANDLE	2	67069	67069
14	KNOB SHIPPING BRACKET	2	42150	42150
15	SHIPPING BRACKET ASSY	1	69839	69839
16	BRUSH HOLDER ASSY (Includes Brushes, Caps, Holders)	2	42382W	42383W
17	CAP, BRUSH HOLDER	4	42138	42138
18	CARBON BRUSH	4	55007	55007
19	DUAL BRUSH HOLDER W/LEADS	2	42436W	42384W

## Floss Pan and Whirlgrip Stabilizer



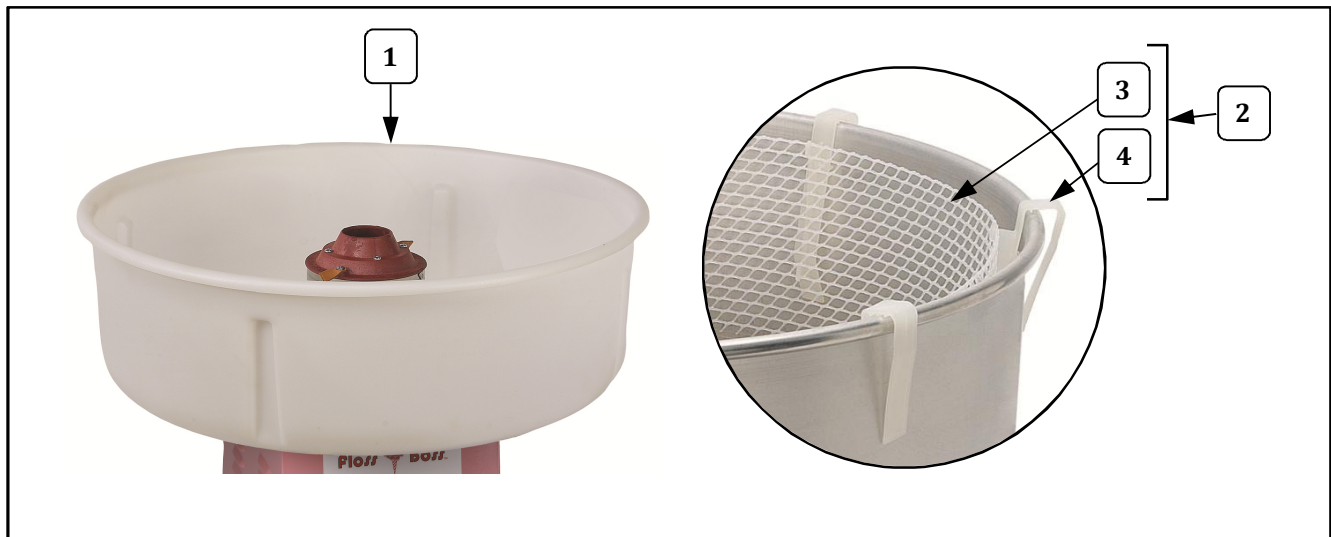
Item	Part Description	Qty.	Part Number	
			3024	3024EX
1	FLOSS PAN	1	42040NMR	42040NMR
2	WHIRLGRIP STABILIZER (Includes Floss Stabilizer and Clips)	1	3010NM	3010NM
3	FLOSS STABILIZER (Web)	1	43032NM	43032NM
4	WHIRLGRIP CLIPS	5	77470	77470



## Parts List - Floss Machine Exterior View

Item	Part Description	Qty.	Part Number	
			3024	3024EX
1	SPINNER HEAD COMPLETE 5IN	1	42283	42283EX
2	INSP.COVER,FOUR BRUSH	2	42381	42381
3	8-32 X 1/2 SLOTTED H W H	4	49379	49379
4	BELL HOUSING, DUAL BRUSH	1	42190	42190
5	ACORN NUT 1/4-20	3	49068	49068
6	NAMEPLATE	1	12602	42594
7	KNOB, HEAT CONTROL	1	42556	
	KNOB, PAKTRONIC CONTROL	1		40793
8	STRAIN RELIEF #SR-6P3-4	1	76026	
	IEC RECEPTACLE C14	1		55511
9	LEAD-IN CORD 15 AMP PLUG	1	22038	
	POWER CORD IEC SCHUKO	1		42372
10	SWITCH, LIGHTED ROCKER GR	2	42798	42798
11	BOTTOM PLATE NS	1	42448	42448
12	RUBBER FEET 3/4IN HIGH	8	47155	47155
13	HANDLE	2	67069	67069
14	KNOB SHIPPING BRACKET	2	42150	42150
15	SHIPPING BRACKET ASSY	1	69839	69839
16	BRUSH HOLDER ASSY (Includes Brushes, Caps, Holders)	2	42382W	42383W
17	CAP, BRUSH HOLDER	4	42138	42138
18	CARBON BRUSH	4	55007	55007
19	DUAL BRUSH HOLDER W/LEADS	2	42436W	42384W

## Floss Pan and Whirlgrip Stabilizer



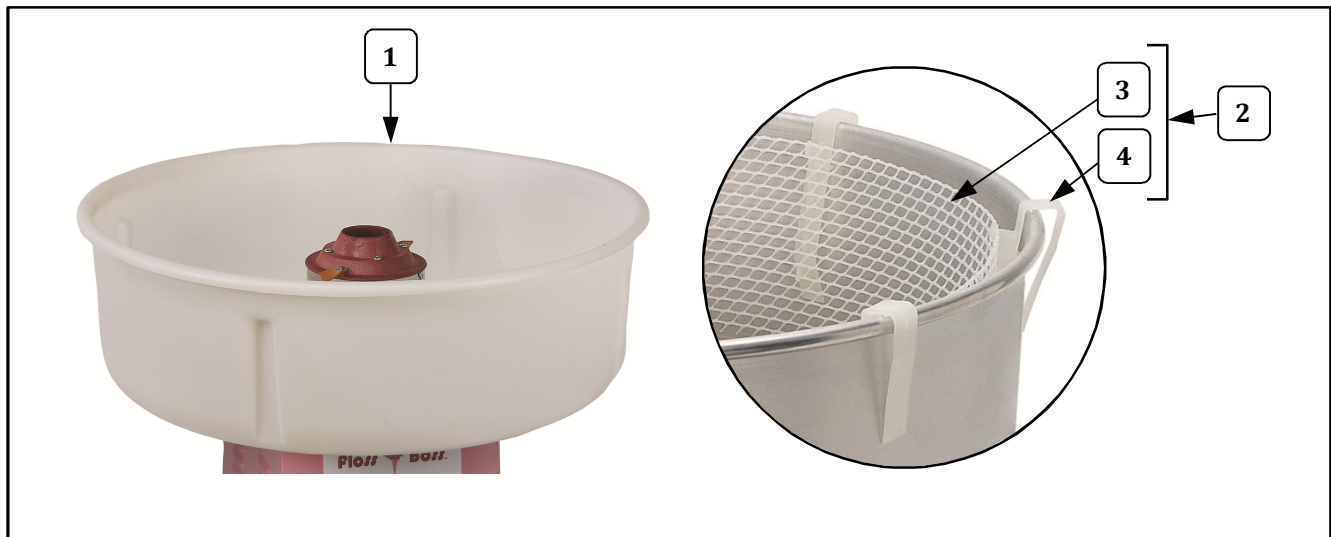
Item	Part Description	Qty.	Part Number	
			3024	3024EX
1	FLOSS PAN	1	42040NMR	42040NMR
2	WHIRLGRIP STABILIZER (Includes Floss Stabilizer and Clips)	1	3010NM	3010NM
3	FLOSS STABILIZER (Web)	1	43032NM	43032NM
4	WHIRLGRIP CLIPS	5	77470	77470



## Parts List - Floss Machine Exterior View

Item	Part Description	Qty.	Part Number	
			3024	3024EX
1	SPINNER HEAD COMPLETE 5IN	1	42283	42283EX
2	INSP.COVER,FOUR BRUSH	2	42381	42381
3	8-32 X 1/2 SLOTTED H W H	4	49379	49379
4	BELL HOUSING, DUAL BRUSH	1	42190	42190
5	ACORN NUT 1/4-20	3	49068	49068
6	NAMEPLATE	1	12602	42594
7	KNOB, HEAT CONTROL	1	42556	
	KNOB, PAKTRONIC CONTROL	1		40793
8	STRAIN RELIEF #SR-6P3-4	1	76026	
	IEC RECEPTACLE C14	1		55511
9	LEAD-IN CORD 15 AMP PLUG	1	22038	
	POWER CORD IEC SCHUKO	1		42372
10	SWITCH, LIGHTED ROCKER GR	2	42798	42798
11	BOTTOM PLATE NS	1	42448	42448
12	RUBBER FEET 3/4IN HIGH	8	47155	47155
13	HANDLE	2	67069	67069
14	KNOB SHIPPING BRACKET	2	42150	42150
15	SHIPPING BRACKET ASSY	1	69839	69839
16	BRUSH HOLDER ASSY (Includes Brushes, Caps, Holders)	2	42382W	42383W
17	CAP, BRUSH HOLDER	4	42138	42138
18	CARBON BRUSH	4	55007	55007
19	DUAL BRUSH HOLDER W/LEADS	2	42436W	42384W

## Floss Pan and Whirlgrip Stabilizer



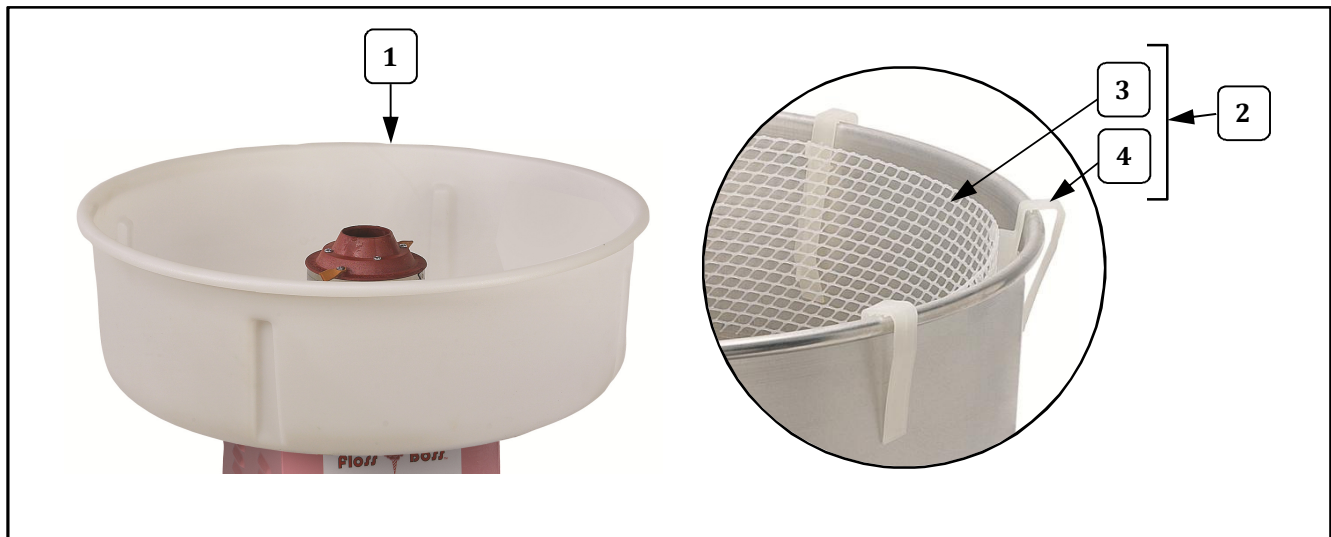
Item	Part Description	Qty.	Part Number	
			3024	3024EX
1	FLOSS PAN	1	42040NMR	42040NMR
2	WHIRLGRIP STABILIZER (Includes Floss Stabilizer and Clips)	1	3010NM	3010NM
3	FLOSS STABILIZER (Web)	1	43032NM	43032NM
4	WHIRLGRIP CLIPS	5	77470	77470



## Parts List - Floss Machine Exterior View

Item	Part Description	Qty.	Part Number	
			3024	3024EX
1	SPINNER HEAD COMPLETE 5IN	1	<a href="#">42283</a>	<a href="#">42283EX</a>
2	INSP.COVER,FOUR BRUSH	2	<a href="#">42381</a>	<a href="#">42381</a>
3	8-32 X 1/2 SLOTTED H W H	4	<a href="#">49379</a>	<a href="#">49379</a>
4	BELL HOUSING, DUAL BRUSH	1	<a href="#">42190</a>	<a href="#">42190</a>
5	ACORN NUT 1/4-20	3	<a href="#">49068</a>	<a href="#">49068</a>
6	NAMEPLATE	1	<a href="#">12602</a>	<a href="#">42594</a>
7	KNOB, HEAT CONTROL	1	<a href="#">42556</a>	
	KNOB, PAKTRONIC CONTROL	1		<a href="#">40793</a>
8	STRAIN RELIEF #SR-6P3-4	1	<a href="#">76026</a>	
	IEC RECEPTACLE C14	1		<a href="#">55511</a>
9	LEAD-IN CORD 15 AMP PLUG	1	<a href="#">22038</a>	
	POWER CORD IEC SCHUKO	1		<a href="#">42372</a>
10	SWITCH, LIGHTED ROCKER GR	2	<a href="#">42798</a>	<a href="#">42798</a>
11	BOTTOM PLATE NS	1	<a href="#">42448</a>	<a href="#">42448</a>
12	RUBBER FEET 3/4IN HIGH	8	<a href="#">47155</a>	<a href="#">47155</a>
13	HANDLE	2	<a href="#">67069</a>	<a href="#">67069</a>
14	KNOB SHIPPING BRACKET	2	<a href="#">42150</a>	<a href="#">42150</a>
15	SHIPPING BRACKET ASSY	1	<a href="#">69839</a>	<a href="#">69839</a>
16	BRUSH HOLDER ASSY (Includes Brushes, Caps, Holders)	2	<a href="#">42382W</a>	<a href="#">42383W</a>
17	CAP, BRUSH HOLDER	4	<a href="#">42138</a>	<a href="#">42138</a>
18	CARBON BRUSH	4	<a href="#">55007</a>	<a href="#">55007</a>
19	DUAL BRUSH HOLDER W/LEADS	2	<a href="#">42436W</a>	<a href="#">42384W</a>

## Floss Pan and Whirlgrip Stabilizer



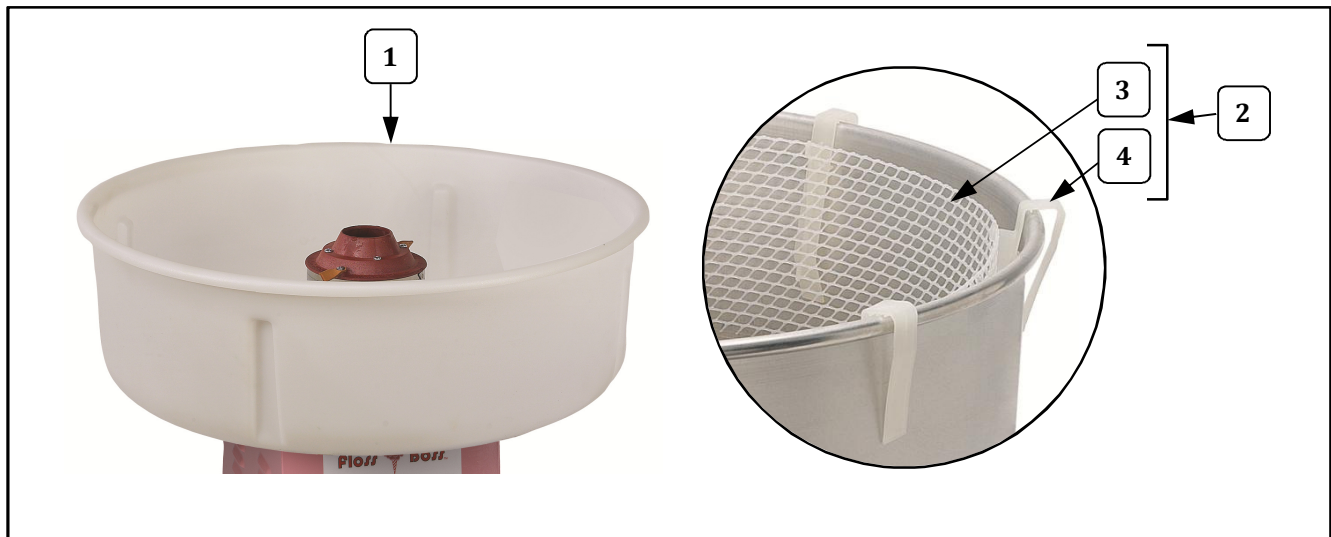
Item	Part Description	Qty.	Part Number	
			3024	3024EX
1	FLOSS PAN	1	<a href="#">42040NMR</a>	<a href="#">42040NMR</a>
2	WHIRLGRIP STABILIZER (Includes Floss Stabilizer and Clips)	1	<a href="#">3010NM</a>	<a href="#">3010NM</a>
3	FLOSS STABILIZER (Web)	1	<a href="#">43032NM</a>	<a href="#">43032NM</a>
4	WHIRLGRIP CLIPS	5	<a href="#">77470</a>	<a href="#">77470</a>



## Parts List - Floss Machine Exterior View

Item	Part Description	Qty.	Part Number	
			3024	3024EX
1	SPINNER HEAD COMPLETE 5IN	1	42283	42283EX
2	INSP.COVER,FOUR BRUSH	2	42381	42381
3	8-32 X 1/2 SLOTTED H W H	4	49379	49379
4	BELL HOUSING, DUAL BRUSH	1	42190	42190
5	ACORN NUT 1/4-20	3	49068	49068
6	NAMEPLATE	1	12602	42594
7	KNOB, HEAT CONTROL	1	42556	
	KNOB, PAKTRONIC CONTROL	1		40793
8	STRAIN RELIEF #SR-6P3-4	1	76026	
	IEC RECEPTACLE C14	1		55511
9	LEAD-IN CORD 15 AMP PLUG	1	22038	
	POWER CORD IEC SCHUKO	1		42372
10	SWITCH, LIGHTED ROCKER GR	2	42798	42798
11	BOTTOM PLATE NS	1	42448	42448
12	RUBBER FEET 3/4IN HIGH	8	47155	47155
13	HANDLE	2	67069	67069
14	KNOB SHIPPING BRACKET	2	42150	42150
15	SHIPPING BRACKET ASSY	1	69839	69839
16	BRUSH HOLDER ASSY (Includes Brushes, Caps, Holders)	2	42382W	42383W
17	CAP, BRUSH HOLDER	4	42138	42138
18	CARBON BRUSH	4	55007	55007
19	DUAL BRUSH HOLDER W/LEADS	2	42436W	42384W

## Floss Pan and Whirlgrip Stabilizer



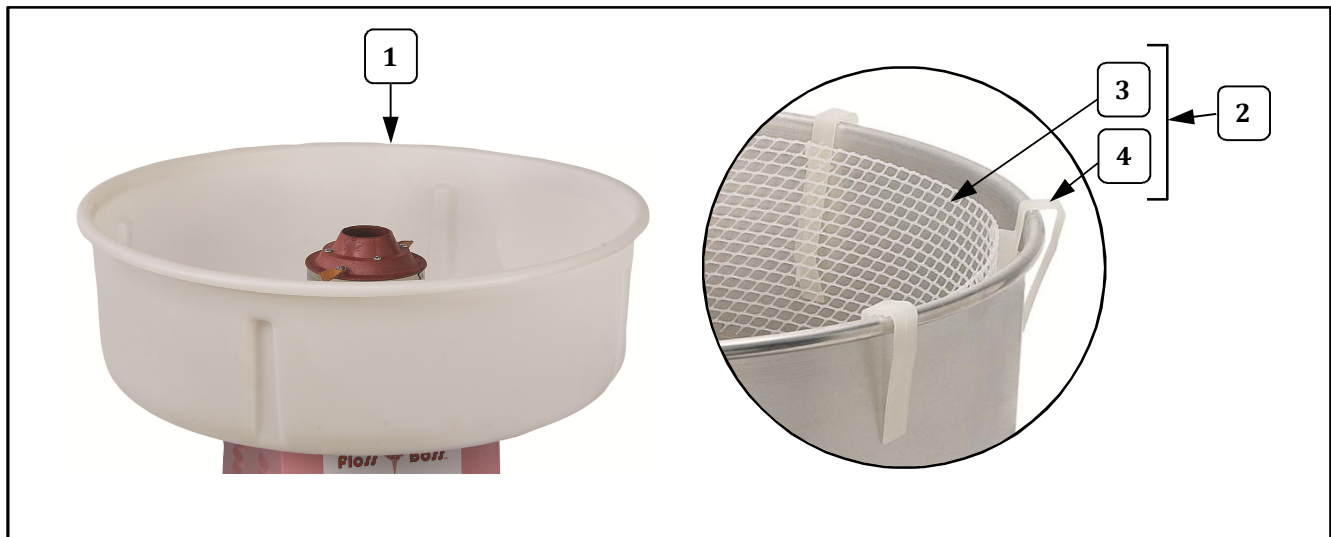
Item	Part Description	Qty.	Part Number	
			3024	3024EX
1	FLOSS PAN	1	42040NMR	42040NMR
2	WHIRLGRIP STABILIZER (Includes Floss Stabilizer and Clips)	1	3010NM	3010NM
3	FLOSS STABILIZER (Web)	1	43032NM	43032NM
4	WHIRLGRIP CLIPS	5	77470	77470



## Parts List - Floss Machine Exterior View

Item	Part Description	Qty.	Part Number	
			3024	3024EX
1	SPINNER HEAD COMPLETE 5IN	1	42283	42283EX
2	INSP.COVER,FOUR BRUSH	2	42381	42381
3	8-32 X 1/2 SLOTTED H W H	4	49379	49379
4	BELL HOUSING, DUAL BRUSH	1	42190	42190
5	ACORN NUT 1/4-20	3	49068	49068
6	NAMEPLATE	1	12602	42594
7	KNOB, HEAT CONTROL	1	42556	
	KNOB, PAKTRONIC CONTROL	1		40793
8	STRAIN RELIEF #SR-6P3-4	1	76026	
	IEC RECEPTACLE C14	1		55511
9	LEAD-IN CORD 15 AMP PLUG	1	22038	
	POWER CORD IEC SCHUKO	1		42372
10	SWITCH, LIGHTED ROCKER GR	2	42798	42798
11	BOTTOM PLATE NS	1	42448	42448
12	RUBBER FEET 3/4IN HIGH	8	47155	47155
13	HANDLE	2	67069	67069
14	KNOB SHIPPING BRACKET	2	42150	42150
15	SHIPPING BRACKET ASSY	1	69839	69839
16	BRUSH HOLDER ASSY (Includes Brushes, Caps, Holders)	2	42382W	42383W
17	CAP, BRUSH HOLDER	4	42138	42138
18	CARBON BRUSH	4	55007	55007
19	DUAL BRUSH HOLDER W/LEADS	2	42436W	42384W

## Floss Pan and Whirlgrip Stabilizer



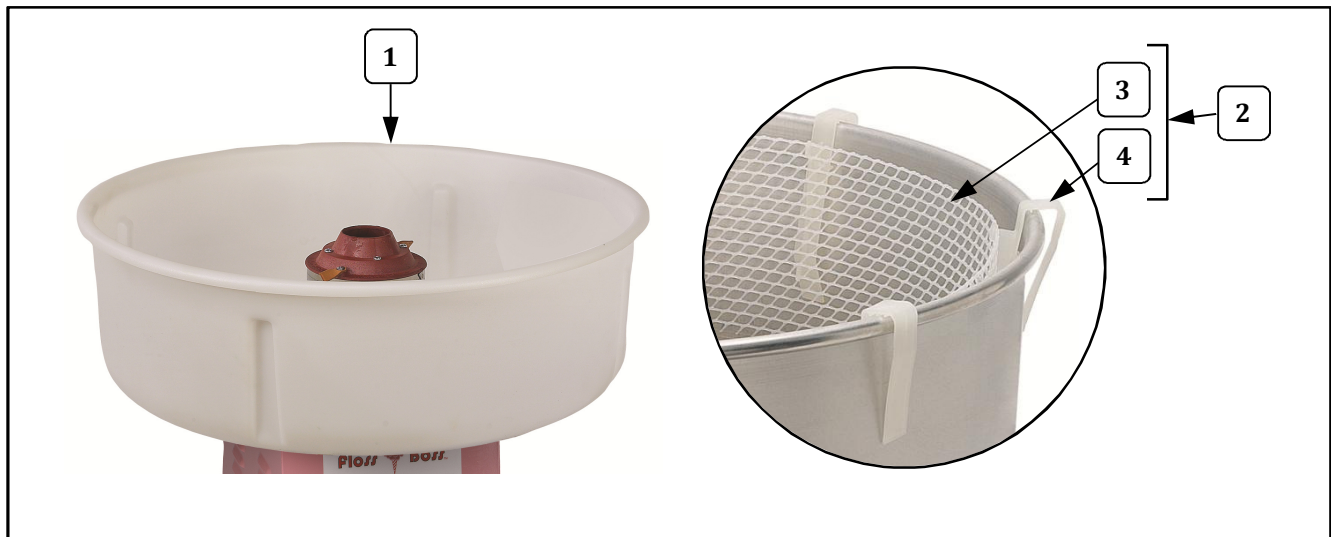
Item	Part Description	Qty.	Part Number	
			3024	3024EX
1	FLOSS PAN	1	42040NMR	42040NMR
2	WHIRLGRIP STABILIZER (Includes Floss Stabilizer and Clips)	1	3010NM	3010NM
3	FLOSS STABILIZER (Web)	1	43032NM	43032NM
4	WHIRLGRIP CLIPS	5	77470	77470



## Parts List - Floss Machine Exterior View

Item	Part Description	Qty.	Part Number	
			3024	3024EX
1	SPINNER HEAD COMPLETE 5IN	1	42283	42283EX
2	INSP.COVER,FOUR BRUSH	2	42381	42381
3	8-32 X 1/2 SLOTTED H W H	4	49379	49379
4	BELL HOUSING, DUAL BRUSH	1	42190	42190
5	ACORN NUT 1/4-20	3	49068	49068
6	NAMEPLATE	1	12602	42594
7	KNOB, HEAT CONTROL	1	42556	
	KNOB, PAKTRONIC CONTROL	1		40793
8	STRAIN RELIEF #SR-6P3-4	1	76026	
	IEC RECEPTACLE C14	1		55511
9	LEAD-IN CORD 15 AMP PLUG	1	22038	
	POWER CORD IEC SCHUKO	1		42372
10	SWITCH, LIGHTED ROCKER GR	2	42798	42798
11	BOTTOM PLATE NS	1	42448	42448
12	RUBBER FEET 3/4IN HIGH	8	47155	47155
13	HANDLE	2	67069	67069
14	KNOB SHIPPING BRACKET	2	42150	42150
15	SHIPPING BRACKET ASSY	1	69839	69839
16	BRUSH HOLDER ASSY (Includes Brushes, Caps, Holders)	2	42382W	42383W
17	CAP, BRUSH HOLDER	4	42138	42138
18	CARBON BRUSH	4	55007	55007
19	DUAL BRUSH HOLDER W/LEADS	2	42436W	42384W

## Floss Pan and Whirlgrip Stabilizer



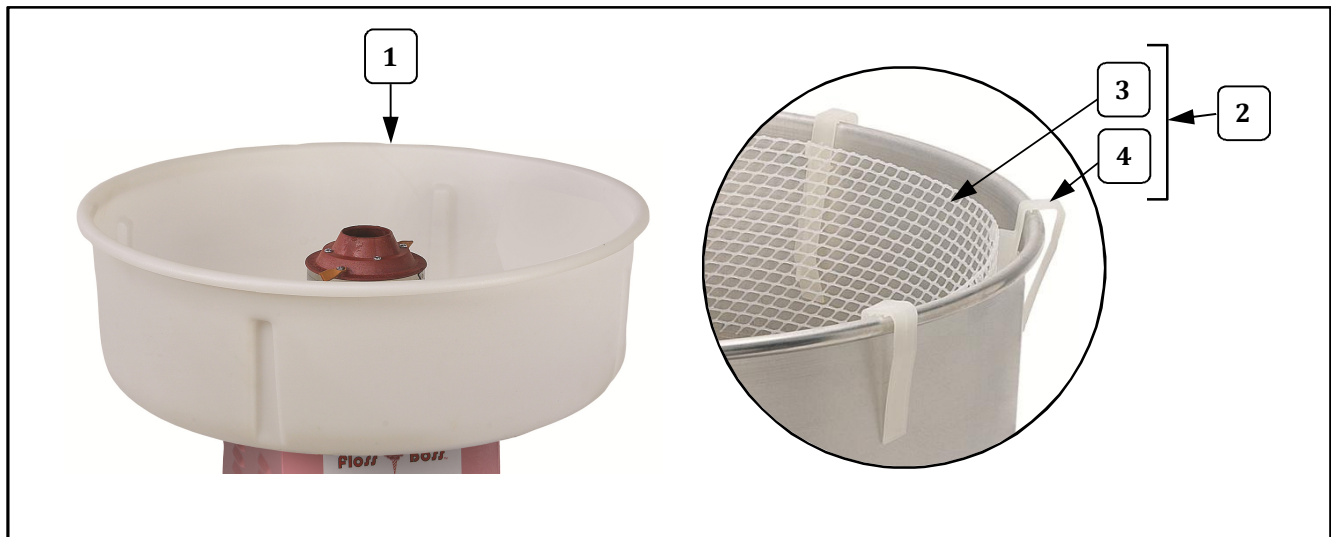
Item	Part Description	Qty.	Part Number	
			3024	3024EX
1	FLOSS PAN	1	42040NMR	42040NMR
2	WHIRLGRIP STABILIZER (Includes Floss Stabilizer and Clips)	1	3010NM	3010NM
3	FLOSS STABILIZER (Web)	1	43032NM	43032NM
4	WHIRLGRIP CLIPS	5	77470	77470



## Parts List - Floss Machine Exterior View

Item	Part Description	Qty.	Part Number	
			3024	3024EX
1	SPINNER HEAD COMPLETE 5IN	1	42283	42283EX
2	INSP.COVER,FOUR BRUSH	2	42381	42381
3	8-32 X 1/2 SLOTTED H W H	4	49379	49379
4	BELL HOUSING, DUAL BRUSH	1	42190	42190
5	ACORN NUT 1/4-20	3	49068	49068
6	NAMEPLATE	1	12602	42594
7	KNOB, HEAT CONTROL	1	42556	
	KNOB, PAKTRONIC CONTROL	1		40793
8	STRAIN RELIEF #SR-6P3-4	1	76026	
	IEC RECEPTACLE C14	1		55511
9	LEAD-IN CORD 15 AMP PLUG	1	22038	
	POWER CORD IEC SCHUKO	1		42372
10	SWITCH, LIGHTED ROCKER GR	2	42798	42798
11	BOTTOM PLATE NS	1	42448	42448
12	RUBBER FEET 3/4IN HIGH	8	47155	47155
13	HANDLE	2	67069	67069
14	KNOB SHIPPING BRACKET	2	42150	42150
15	SHIPPING BRACKET ASSY	1	69839	69839
16	BRUSH HOLDER ASSY (Includes Brushes, Caps, Holders)	2	42382W	42383W
17	CAP, BRUSH HOLDER	4	42138	42138
18	CARBON BRUSH	4	55007	55007
19	DUAL BRUSH HOLDER W/LEADS	2	42436W	42384W

## Floss Pan and Whirlgrip Stabilizer



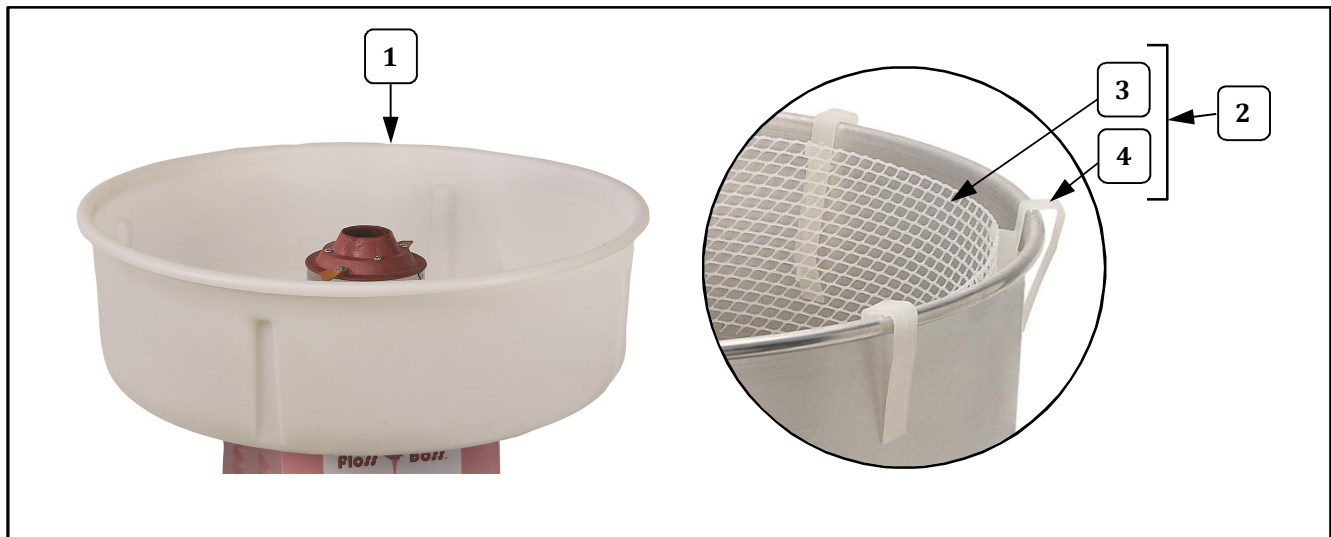
Item	Part Description	Qty.	Part Number	
			3024	3024EX
1	FLOSS PAN	1	42040NMR	42040NMR
2	WHIRLGRIP STABILIZER (Includes Floss Stabilizer and Clips)	1	3010NM	3010NM
3	FLOSS STABILIZER (Web)	1	43032NM	43032NM
4	WHIRLGRIP CLIPS	5	77470	77470



## Parts List - Floss Machine Exterior View

Item	Part Description	Qty.	Part Number	
			3024	3024EX
1	SPINNER HEAD COMPLETE 5IN	1	42283	42283EX
2	INSP.COVER,FOUR BRUSH	2	42381	42381
3	8-32 X 1/2 SLOTTED H W H	4	49379	49379
4	BELL HOUSING, DUAL BRUSH	1	42190	42190
5	ACORN NUT 1/4-20	3	49068	49068
6	NAMEPLATE	1	12602	42594
7	KNOB, HEAT CONTROL	1	42556	
	KNOB, PAKTRONIC CONTROL	1		40793
8	STRAIN RELIEF #SR-6P3-4	1	76026	
	IEC RECEPTACLE C14	1		55511
9	LEAD-IN CORD 15 AMP PLUG	1	22038	
	POWER CORD IEC SCHUKO	1		42372
10	SWITCH, LIGHTED ROCKER GR	2	42798	42798
11	BOTTOM PLATE NS	1	42448	42448
12	RUBBER FEET 3/4IN HIGH	8	47155	47155
13	HANDLE	2	67069	67069
14	KNOB SHIPPING BRACKET	2	42150	42150
15	SHIPPING BRACKET ASSY	1	69839	69839
16	BRUSH HOLDER ASSY (Includes Brushes, Caps, Holders)	2	42382W	42383W
17	CAP, BRUSH HOLDER	4	42138	42138
18	CARBON BRUSH	4	55007	55007
19	DUAL BRUSH HOLDER W/LEADS	2	42436W	42384W

## Floss Pan and Whirlgrip Stabilizer



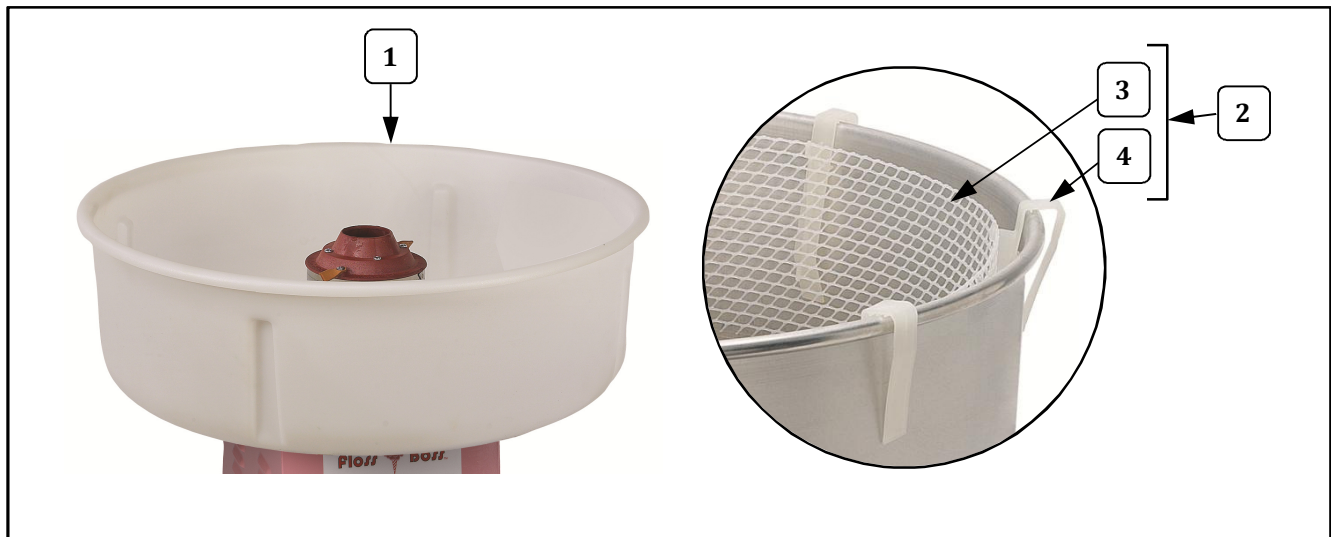
Item	Part Description	Qty.	Part Number	
			3024	3024EX
1	FLOSS PAN	1	42040NMR	42040NMR
2	WHIRLGRIP STABILIZER (Includes Floss Stabilizer and Clips)	1	3010NM	3010NM
3	FLOSS STABILIZER (Web)	1	43032NM	43032NM
4	WHIRLGRIP CLIPS	5	77470	77470



## Parts List - Floss Machine Exterior View

Item	Part Description	Qty.	Part Number	
			3024	3024EX
1	SPINNER HEAD COMPLETE 5IN	1	42283	42283EX
2	INSP.COVER,FOUR BRUSH	2	42381	42381
3	8-32 X 1/2 SLOTTED H W H	4	49379	49379
4	BELL HOUSING, DUAL BRUSH	1	42190	42190
5	ACORN NUT 1/4-20	3	49068	49068
6	NAMEPLATE	1	12602	42594
7	KNOB, HEAT CONTROL	1	42556	
	KNOB, PAKTRONIC CONTROL	1		40793
8	STRAIN RELIEF #SR-6P3-4	1	76026	
	IEC RECEPTACLE C14	1		55511
9	LEAD-IN CORD 15 AMP PLUG	1	22038	
	POWER CORD IEC SCHUKO	1		42372
10	SWITCH, LIGHTED ROCKER GR	2	42798	42798
11	BOTTOM PLATE NS	1	42448	42448
12	RUBBER FEET 3/4IN HIGH	8	47155	47155
13	HANDLE	2	67069	67069
14	KNOB SHIPPING BRACKET	2	42150	42150
15	SHIPPING BRACKET ASSY	1	69839	69839
16	BRUSH HOLDER ASSY (Includes Brushes, Caps, Holders)	2	42382W	42383W
17	CAP, BRUSH HOLDER	4	42138	42138
18	CARBON BRUSH	4	55007	55007
19	DUAL BRUSH HOLDER W/LEADS	2	42436W	42384W

## Floss Pan and Whirlgrip Stabilizer



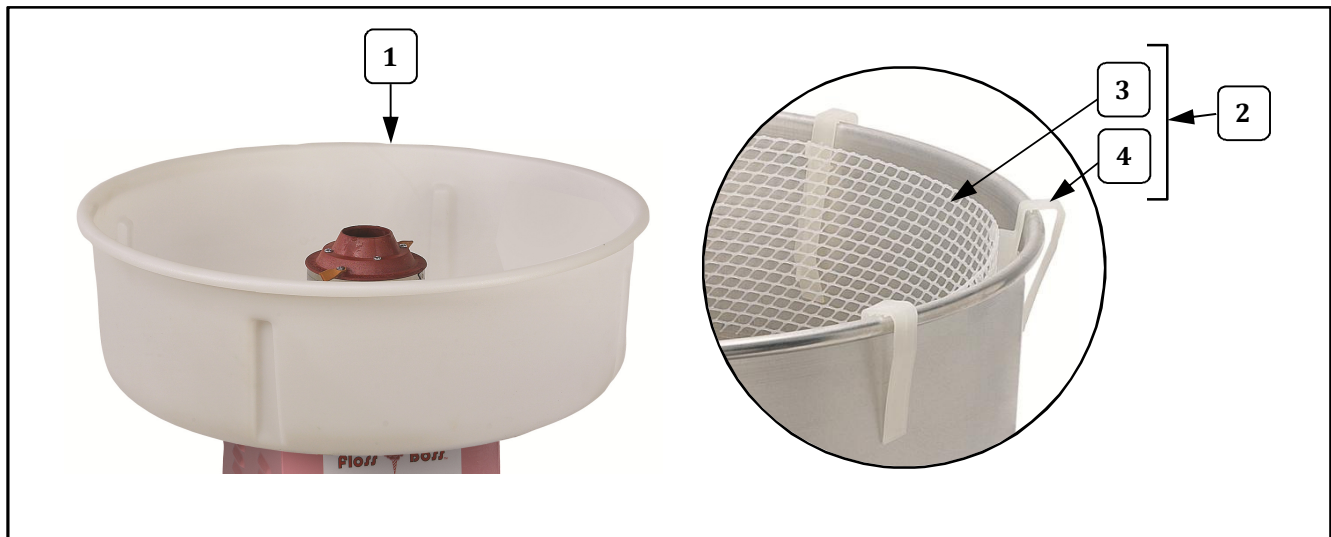
Item	Part Description	Qty.	Part Number	
			3024	3024EX
1	FLOSS PAN	1	42040NMR	42040NMR
2	WHIRLGRIP STABILIZER (Includes Floss Stabilizer and Clips)	1	3010NM	3010NM
3	FLOSS STABILIZER (Web)	1	43032NM	43032NM
4	WHIRLGRIP CLIPS	5	77470	77470



## Parts List - Floss Machine Exterior View

Item	Part Description	Qty.	Part Number	
			3024	3024EX
1	SPINNER HEAD COMPLETE 5IN	1	42283	42283EX
2	INSP.COVER,FOUR BRUSH	2	42381	42381
3	8-32 X 1/2 SLOTTED H W H	4	49379	49379
4	BELL HOUSING, DUAL BRUSH	1	42190	42190
5	ACORN NUT 1/4-20	3	49068	49068
6	NAMEPLATE	1	12602	42594
7	KNOB, HEAT CONTROL	1	42556	
	KNOB, PAKTRONIC CONTROL	1		40793
8	STRAIN RELIEF #SR-6P3-4	1	76026	
	IEC RECEPTACLE C14	1		55511
9	LEAD-IN CORD 15 AMP PLUG	1	22038	
	POWER CORD IEC SCHUKO	1		42372
10	SWITCH, LIGHTED ROCKER GR	2	42798	42798
11	BOTTOM PLATE NS	1	42448	42448
12	RUBBER FEET 3/4IN HIGH	8	47155	47155
13	HANDLE	2	67069	67069
14	KNOB SHIPPING BRACKET	2	42150	42150
15	SHIPPING BRACKET ASSY	1	69839	69839
16	BRUSH HOLDER ASSY (Includes Brushes, Caps, Holders)	2	42382W	42383W
17	CAP, BRUSH HOLDER	4	42138	42138
18	CARBON BRUSH	4	55007	55007
19	DUAL BRUSH HOLDER W/LEADS	2	42436W	42384W

## Floss Pan and Whirlgrip Stabilizer



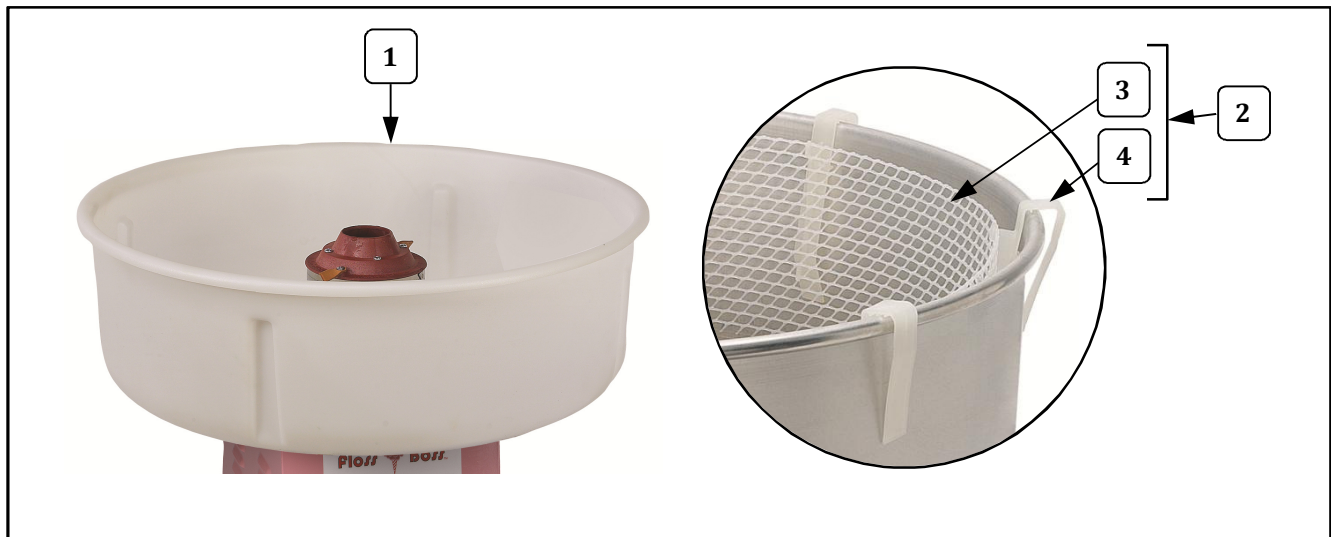
Item	Part Description	Qty.	Part Number	
			3024	3024EX
1	FLOSS PAN	1	42040NMR	42040NMR
2	WHIRLGRIP STABILIZER (Includes Floss Stabilizer and Clips)	1	3010NM	3010NM
3	FLOSS STABILIZER (Web)	1	43032NM	43032NM
4	WHIRLGRIP CLIPS	5	77470	77470



## Parts List - Floss Machine Exterior View

Item	Part Description	Qty.	Part Number	
			3024	3024EX
1	SPINNER HEAD COMPLETE 5IN	1	42283	42283EX
2	INSP.COVER,FOUR BRUSH	2	42381	42381
3	8-32 X 1/2 SLOTTED H W H	4	49379	49379
4	BELL HOUSING, DUAL BRUSH	1	42190	42190
5	ACORN NUT 1/4-20	3	49068	49068
6	NAMEPLATE	1	12602	42594
7	KNOB, HEAT CONTROL	1	42556	
	KNOB, PAKTRONIC CONTROL	1		40793
8	STRAIN RELIEF #SR-6P3-4	1	76026	
	IEC RECEPTACLE C14	1		55511
9	LEAD-IN CORD 15 AMP PLUG	1	22038	
	POWER CORD IEC SCHUKO	1		42372
10	SWITCH, LIGHTED ROCKER GR	2	42798	42798
11	BOTTOM PLATE NS	1	42448	42448
12	RUBBER FEET 3/4IN HIGH	8	47155	47155
13	HANDLE	2	67069	67069
14	KNOB SHIPPING BRACKET	2	42150	42150
15	SHIPPING BRACKET ASSY	1	69839	69839
16	BRUSH HOLDER ASSY (Includes Brushes, Caps, Holders)	2	42382W	42383W
17	CAP, BRUSH HOLDER	4	42138	42138
18	CARBON BRUSH	4	55007	55007
19	DUAL BRUSH HOLDER W/LEADS	2	42436W	42384W

## Floss Pan and Whirlgrip Stabilizer



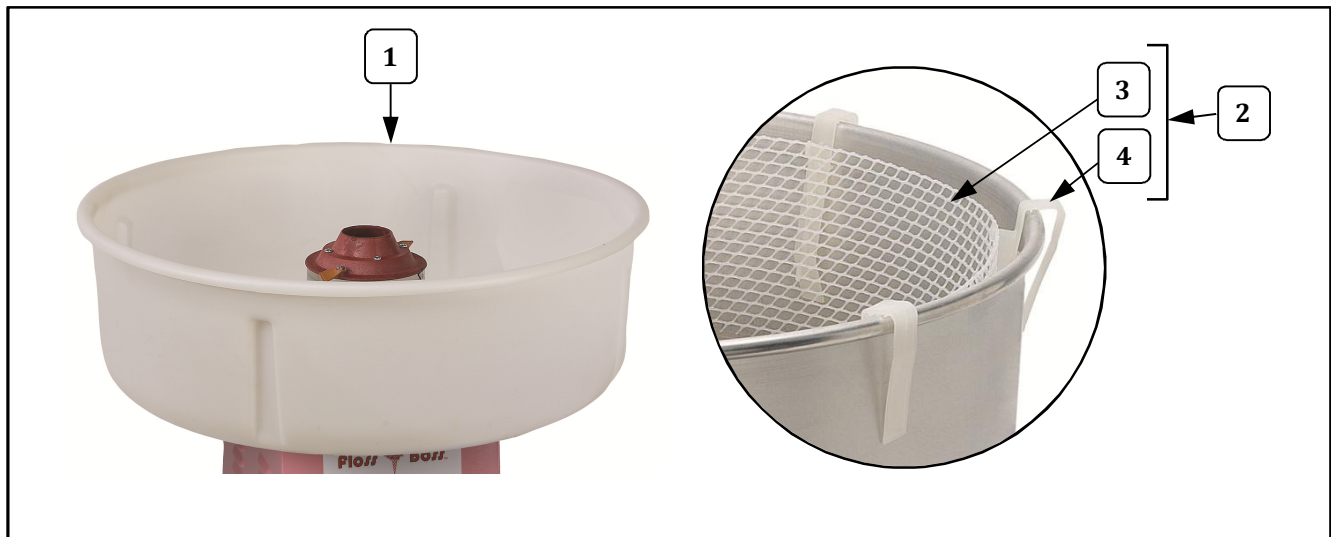
Item	Part Description	Qty.	Part Number	
			3024	3024EX
1	FLOSS PAN	1	42040NMR	42040NMR
2	WHIRLGRIP STABILIZER (Includes Floss Stabilizer and Clips)	1	3010NM	3010NM
3	FLOSS STABILIZER (Web)	1	43032NM	43032NM
4	WHIRLGRIP CLIPS	5	77470	77470



## Parts List - Floss Machine Exterior View

Item	Part Description	Qty.	Part Number	
			3024	3024EX
1	SPINNER HEAD COMPLETE 5IN	1	42283	42283EX
2	INSP.COVER,FOUR BRUSH	2	42381	42381
3	8-32 X 1/2 SLOTTED H W H	4	49379	49379
4	BELL HOUSING, DUAL BRUSH	1	42190	42190
5	ACORN NUT 1/4-20	3	49068	49068
6	NAMEPLATE	1	12602	42594
7	KNOB, HEAT CONTROL	1	42556	
	KNOB, PAKTRONIC CONTROL	1		40793
8	STRAIN RELIEF #SR-6P3-4	1	76026	
	IEC RECEPTACLE C14	1		55511
9	LEAD-IN CORD 15 AMP PLUG	1	22038	
	POWER CORD IEC SCHUKO	1		42372
10	SWITCH, LIGHTED ROCKER GR	2	42798	42798
11	BOTTOM PLATE NS	1	42448	42448
12	RUBBER FEET 3/4IN HIGH	8	47155	47155
13	HANDLE	2	67069	67069
14	KNOB SHIPPING BRACKET	2	42150	42150
15	SHIPPING BRACKET ASSY	1	69839	69839
16	BRUSH HOLDER ASSY (Includes Brushes, Caps, Holders)	2	42382W	42383W
17	CAP, BRUSH HOLDER	4	42138	42138
18	CARBON BRUSH	4	55007	55007
19	DUAL BRUSH HOLDER W/LEADS	2	42436W	42384W

## Floss Pan and Whirlgrip Stabilizer



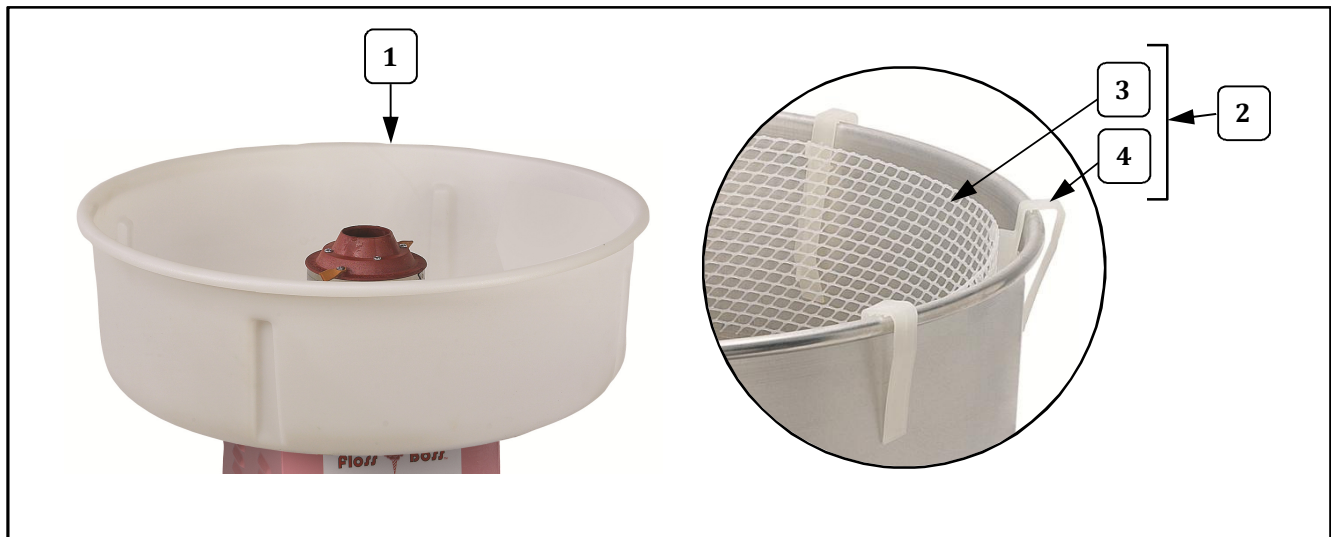
Item	Part Description	Qty.	Part Number	
			3024	3024EX
1	FLOSS PAN	1	42040NMR	42040NMR
2	WHIRLGRIP STABILIZER (Includes Floss Stabilizer and Clips)	1	3010NM	3010NM
3	FLOSS STABILIZER (Web)	1	43032NM	43032NM
4	WHIRLGRIP CLIPS	5	77470	77470



## Parts List - Floss Machine Exterior View

Item	Part Description	Qty.	Part Number	
			3024	3024EX
1	SPINNER HEAD COMPLETE 5IN	1	42283	42283EX
2	INSP.COVER,FOUR BRUSH	2	42381	42381
3	8-32 X 1/2 SLOTTED H W H	4	49379	49379
4	BELL HOUSING, DUAL BRUSH	1	42190	42190
5	ACORN NUT 1/4-20	3	49068	49068
6	NAMEPLATE	1	12602	42594
7	KNOB, HEAT CONTROL	1	42556	
	KNOB, PAKTRONIC CONTROL	1		40793
8	STRAIN RELIEF #SR-6P3-4	1	76026	
	IEC RECEPTACLE C14	1		55511
9	LEAD-IN CORD 15 AMP PLUG	1	22038	
	POWER CORD IEC SCHUKO	1		42372
10	SWITCH, LIGHTED ROCKER GR	2	42798	42798
11	BOTTOM PLATE NS	1	42448	42448
12	RUBBER FEET 3/4IN HIGH	8	47155	47155
13	HANDLE	2	67069	67069
14	KNOB SHIPPING BRACKET	2	42150	42150
15	SHIPPING BRACKET ASSY	1	69839	69839
16	BRUSH HOLDER ASSY (Includes Brushes, Caps, Holders)	2	42382W	42383W
17	CAP, BRUSH HOLDER	4	42138	42138
18	CARBON BRUSH	4	55007	55007
19	DUAL BRUSH HOLDER W/LEADS	2	42436W	42384W

## Floss Pan and Whirlgrip Stabilizer



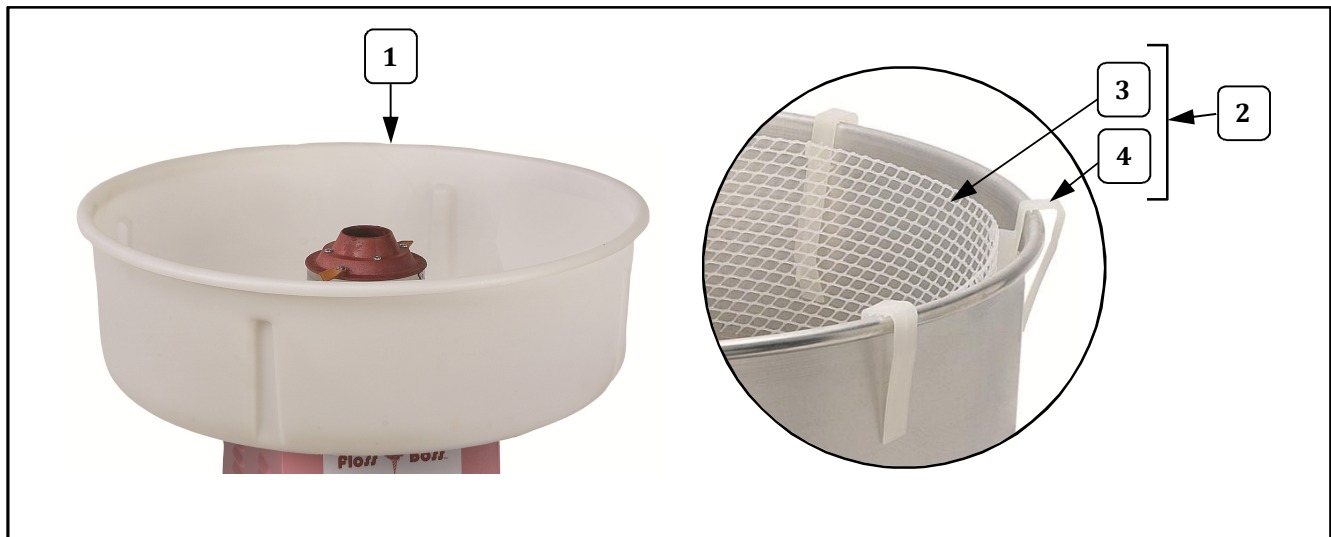
Item	Part Description	Qty.	Part Number	
			3024	3024EX
1	FLOSS PAN	1	42040NMR	42040NMR
2	WHIRLGRIP STABILIZER (Includes Floss Stabilizer and Clips)	1	3010NM	3010NM
3	FLOSS STABILIZER (Web)	1	43032NM	43032NM
4	WHIRLGRIP CLIPS	5	77470	77470



## Parts List - Floss Machine Exterior View

Item	Part Description	Qty.	Part Number	
			3024	3024EX
1	SPINNER HEAD COMPLETE 5IN	1	42283	42283EX
2	INSP.COVER,FOUR BRUSH	2	42381	42381
3	8-32 X 1/2 SLOTTED H W H	4	49379	49379
4	BELL HOUSING, DUAL BRUSH	1	42190	42190
5	ACORN NUT 1/4-20	3	49068	49068
6	NAMEPLATE	1	12602	42594
7	KNOB, HEAT CONTROL	1	42556	
	KNOB, PAKTRONIC CONTROL	1		40793
8	STRAIN RELIEF #SR-6P3-4	1	76026	
	IEC RECEPTACLE C14	1		55511
9	LEAD-IN CORD 15 AMP PLUG	1	22038	
	POWER CORD IEC SCHUKO	1		42372
10	SWITCH, LIGHTED ROCKER GR	2	42798	42798
11	BOTTOM PLATE NS	1	42448	42448
12	RUBBER FEET 3/4IN HIGH	8	47155	47155
13	HANDLE	2	67069	67069
14	KNOB SHIPPING BRACKET	2	42150	42150
15	SHIPPING BRACKET ASSY	1	69839	69839
16	BRUSH HOLDER ASSY (Includes Brushes, Caps, Holders)	2	42382W	42383W
17	CAP, BRUSH HOLDER	4	42138	42138
18	CARBON BRUSH	4	55007	55007
19	DUAL BRUSH HOLDER W/LEADS	2	42436W	42384W

## Floss Pan and Whirlgrip Stabilizer



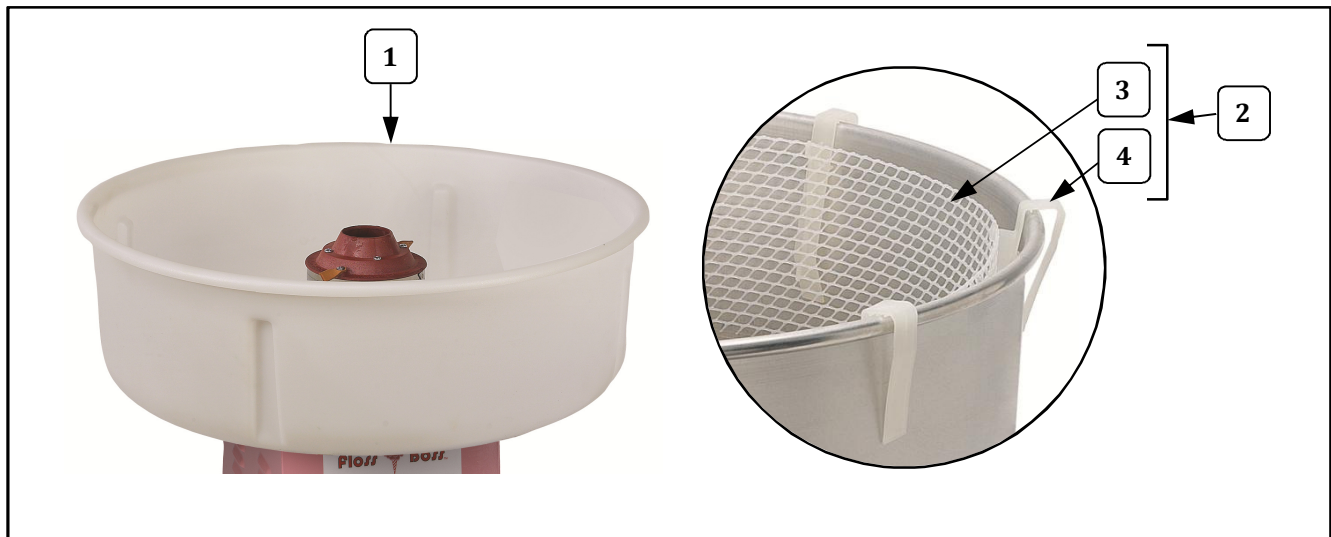
Item	Part Description	Qty.	Part Number	
			3024	3024EX
1	FLOSS PAN	1	42040NMR	42040NMR
2	WHIRLGRIP STABILIZER (Includes Floss Stabilizer and Clips)	1	3010NM	3010NM
3	FLOSS STABILIZER (Web)	1	43032NM	43032NM
4	WHIRLGRIP CLIPS	5	77470	77470



## Parts List - Floss Machine Exterior View

Item	Part Description	Qty.	Part Number	
			3024	3024EX
1	SPINNER HEAD COMPLETE 5IN	1	42283	42283EX
2	INSP.COVER,FOUR BRUSH	2	42381	42381
3	8-32 X 1/2 SLOTTED H W H	4	49379	49379
4	BELL HOUSING, DUAL BRUSH	1	42190	42190
5	ACORN NUT 1/4-20	3	49068	49068
6	NAMEPLATE	1	12602	42594
7	KNOB, HEAT CONTROL	1	42556	
	KNOB, PAKTRONIC CONTROL	1		40793
8	STRAIN RELIEF #SR-6P3-4	1	76026	
	IEC RECEPTACLE C14	1		55511
9	LEAD-IN CORD 15 AMP PLUG	1	22038	
	POWER CORD IEC SCHUKO	1		42372
10	SWITCH, LIGHTED ROCKER GR	2	42798	42798
11	BOTTOM PLATE NS	1	42448	42448
12	RUBBER FEET 3/4IN HIGH	8	47155	47155
13	HANDLE	2	67069	67069
14	KNOB SHIPPING BRACKET	2	42150	42150
15	SHIPPING BRACKET ASSY	1	69839	69839
16	BRUSH HOLDER ASSY (Includes Brushes, Caps, Holders)	2	42382W	42383W
17	CAP, BRUSH HOLDER	4	42138	42138
18	CARBON BRUSH	4	55007	55007
19	DUAL BRUSH HOLDER W/LEADS	2	42436W	42384W

## Floss Pan and Whirlgrip Stabilizer



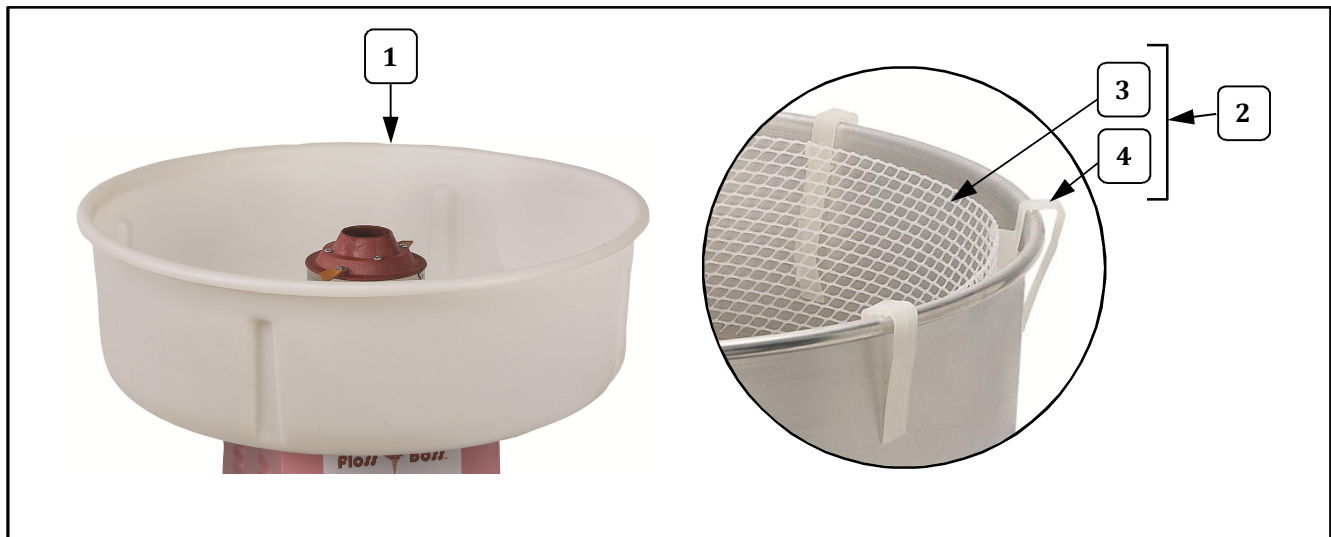
Item	Part Description	Qty.	Part Number	
			3024	3024EX
1	FLOSS PAN	1	42040NMR	42040NMR
2	WHIRLGRIP STABILIZER (Includes Floss Stabilizer and Clips)	1	3010NM	3010NM
3	FLOSS STABILIZER (Web)	1	43032NM	43032NM
4	WHIRLGRIP CLIPS	5	77470	77470



## Parts List - Floss Machine Exterior View

Item	Part Description	Qty.	Part Number	
			3024	3024EX
1	SPINNER HEAD COMPLETE 5IN	1	42283	42283EX
2	INSP.COVER,FOUR BRUSH	2	42381	42381
3	8-32 X 1/2 SLOTTED H W H	4	49379	49379
4	BELL HOUSING, DUAL BRUSH	1	42190	42190
5	ACORN NUT 1/4-20	3	49068	49068
6	NAMEPLATE	1	12602	42594
7	KNOB, HEAT CONTROL	1	42556	
	KNOB, PAKTRONIC CONTROL	1		40793
8	STRAIN RELIEF #SR-6P3-4	1	76026	
	IEC RECEPTACLE C14	1		55511
9	LEAD-IN CORD 15 AMP PLUG	1	22038	
	POWER CORD IEC SCHUKO	1		42372
10	SWITCH, LIGHTED ROCKER GR	2	42798	42798
11	BOTTOM PLATE NS	1	42448	42448
12	RUBBER FEET 3/4IN HIGH	8	47155	47155
13	HANDLE	2	67069	67069
14	KNOB SHIPPING BRACKET	2	42150	42150
15	SHIPPING BRACKET ASSY	1	69839	69839
16	BRUSH HOLDER ASSY (Includes Brushes, Caps, Holders)	2	42382W	42383W
17	CAP, BRUSH HOLDER	4	42138	42138
18	CARBON BRUSH	4	55007	55007
19	DUAL BRUSH HOLDER W/LEADS	2	42436W	42384W

## Floss Pan and Whirlgrip Stabilizer



Item	Part Description	Qty.	Part Number	
			3024	3024EX
1	FLOSS PAN	1	42040NMR	42040NMR
2	WHIRLGRIP STABILIZER (Includes Floss Stabilizer and Clips)	1	3010NM	3010NM
3	FLOSS STABILIZER (Web)	1	43032NM	43032NM
4	WHIRLGRIP CLIPS	5	77470	77470



## Parts List - Floss Machine Exterior View

Item	Part Description	Qty.	Part Number	
			3024	3024EX
1	SPINNER HEAD COMPLETE 5IN	1	42283	42283EX
2	INSP.COVER,FOUR BRUSH	2	42381	42381
3	8-32 X 1/2 SLOTTED H W H	4	49379	49379
4	BELL HOUSING, DUAL BRUSH	1	42190	42190
5	ACORN NUT 1/4-20	3	49068	49068
6	NAMEPLATE	1	12602	42594
7	KNOB, HEAT CONTROL	1	42556	
	KNOB, PAKTRONIC CONTROL	1		40793
8	STRAIN RELIEF #SR-6P3-4	1	76026	
	IEC RECEPTACLE C14	1		55511
9	LEAD-IN CORD 15 AMP PLUG	1	22038	
	POWER CORD IEC SCHUKO	1		42372
10	SWITCH, LIGHTED ROCKER GR	2	42798	42798
11	BOTTOM PLATE NS	1	42448	42448
12	RUBBER FEET 3/4IN HIGH	8	47155	47155
13	HANDLE	2	67069	67069
14	KNOB SHIPPING BRACKET	2	42150	42150
15	SHIPPING BRACKET ASSY	1	69839	69839
16	BRUSH HOLDER ASSY (Includes Brushes, Caps, Holders)	2	42382W	42383W
17	CAP, BRUSH HOLDER	4	42138	42138
18	CARBON BRUSH	4	55007	55007
19	DUAL BRUSH HOLDER W/LEADS	2	42436W	42384W

## Floss Pan and Whirlgrip Stabilizer



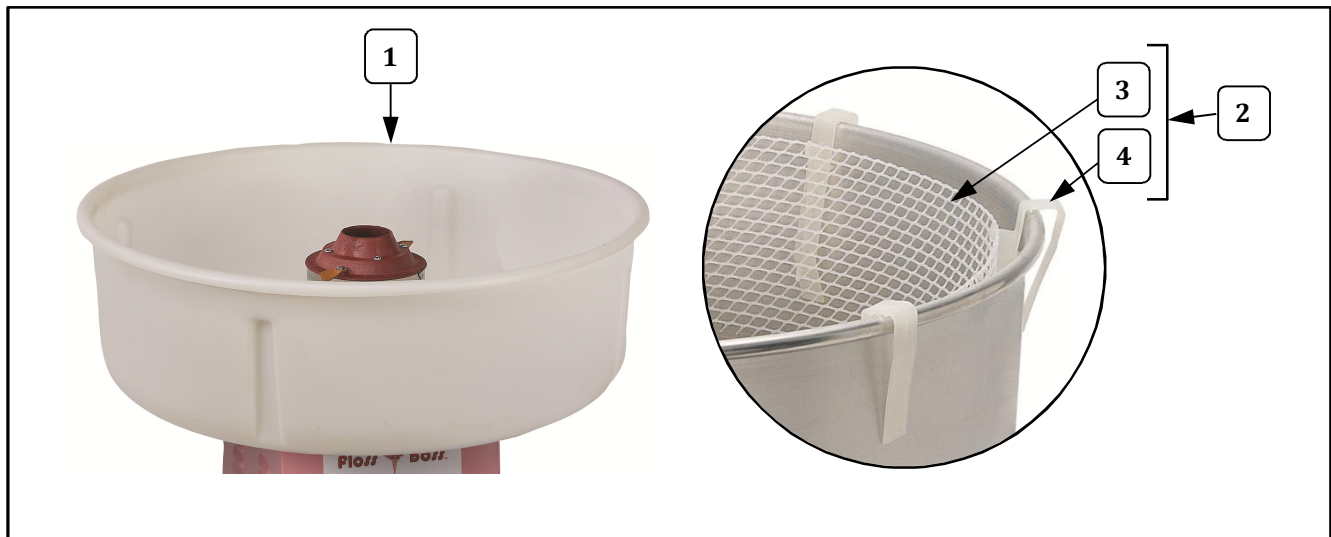
Item	Part Description	Qty.	Part Number	
			3024	3024EX
1	FLOSS PAN	1	42040NMR	42040NMR
2	WHIRLGRIP STABILIZER (Includes Floss Stabilizer and Clips)	1	3010NM	3010NM
3	FLOSS STABILIZER (Web)	1	43032NM	43032NM
4	WHIRLGRIP CLIPS	5	77470	77470



## Parts List - Floss Machine Exterior View

Item	Part Description	Qty.	Part Number	
			3024	3024EX
1	SPINNER HEAD COMPLETE 5IN	1	42283	42283EX
2	INSP.COVER,FOUR BRUSH	2	42381	42381
3	8-32 X 1/2 SLOTTED H W H	4	49379	49379
4	BELL HOUSING, DUAL BRUSH	1	42190	42190
5	ACORN NUT 1/4-20	3	49068	49068
6	NAMEPLATE	1	12602	42594
7	KNOB, HEAT CONTROL	1	42556	
	KNOB, PAKTRONIC CONTROL	1		40793
8	STRAIN RELIEF #SR-6P3-4	1	76026	
	IEC RECEPTACLE C14	1		55511
9	LEAD-IN CORD 15 AMP PLUG	1	22038	
	POWER CORD IEC SCHUKO	1		42372
10	SWITCH, LIGHTED ROCKER GR	2	42798	42798
11	BOTTOM PLATE NS	1	42448	42448
12	RUBBER FEET 3/4IN HIGH	8	47155	47155
13	HANDLE	2	67069	67069
14	KNOB SHIPPING BRACKET	2	42150	42150
15	SHIPPING BRACKET ASSY	1	69839	69839
16	BRUSH HOLDER ASSY (Includes Brushes, Caps, Holders)	2	42382W	42383W
17	CAP, BRUSH HOLDER	4	42138	42138
18	CARBON BRUSH	4	55007	55007
19	DUAL BRUSH HOLDER W/LEADS	2	42436W	42384W

## Floss Pan and Whirlgrip Stabilizer



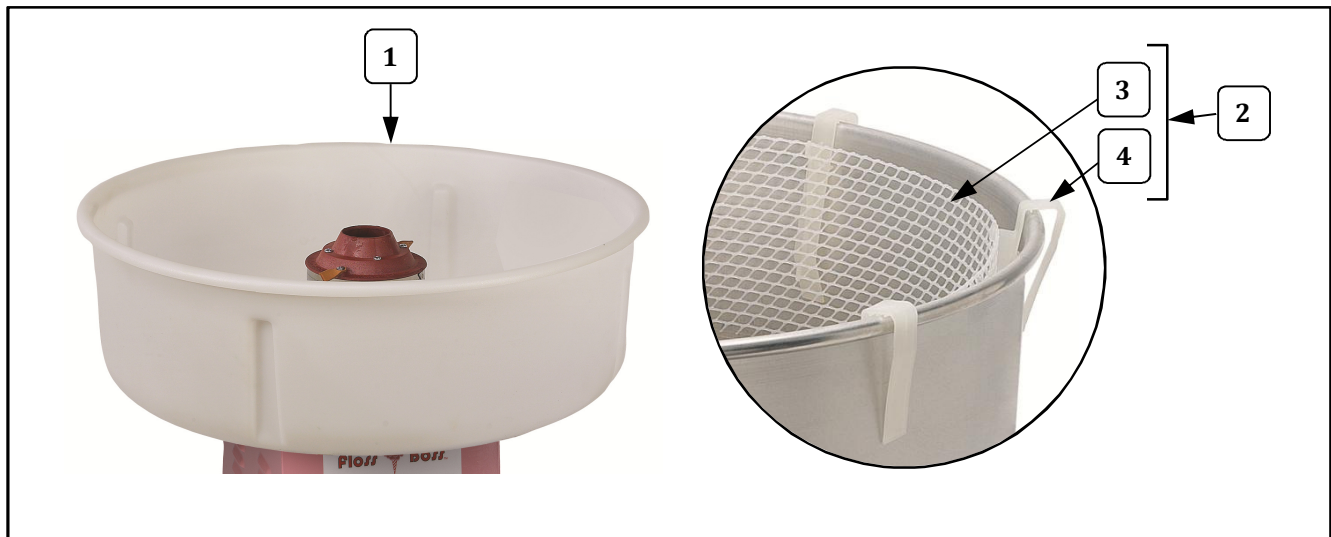
Item	Part Description	Qty.	Part Number	
			3024	3024EX
1	FLOSS PAN	1	42040NMR	42040NMR
2	WHIRLGRIP STABILIZER (Includes Floss Stabilizer and Clips)	1	3010NM	3010NM
3	FLOSS STABILIZER (Web)	1	43032NM	43032NM
4	WHIRLGRIP CLIPS	5	77470	77470



## Parts List - Floss Machine Exterior View

Item	Part Description	Qty.	Part Number	
			3024	3024EX
1	SPINNER HEAD COMPLETE 5IN	1	42283	42283EX
2	INSP.COVER,FOUR BRUSH	2	42381	42381
3	8-32 X 1/2 SLOTTED H W H	4	49379	49379
4	BELL HOUSING, DUAL BRUSH	1	42190	42190
5	ACORN NUT 1/4-20	3	49068	49068
6	NAMEPLATE	1	12602	42594
7	KNOB, HEAT CONTROL	1	42556	
	KNOB, PAKTRONIC CONTROL	1		40793
8	STRAIN RELIEF #SR-6P3-4	1	76026	
	IEC RECEPTACLE C14	1		55511
9	LEAD-IN CORD 15 AMP PLUG	1	22038	
	POWER CORD IEC SCHUKO	1		42372
10	SWITCH, LIGHTED ROCKER GR	2	42798	42798
11	BOTTOM PLATE NS	1	42448	42448
12	RUBBER FEET 3/4IN HIGH	8	47155	47155
13	HANDLE	2	67069	67069
14	KNOB SHIPPING BRACKET	2	42150	42150
15	SHIPPING BRACKET ASSY	1	69839	69839
16	BRUSH HOLDER ASSY (Includes Brushes, Caps, Holders)	2	42382W	42383W
17	CAP, BRUSH HOLDER	4	42138	42138
18	CARBON BRUSH	4	55007	55007
19	DUAL BRUSH HOLDER W/LEADS	2	42436W	42384W

## Floss Pan and Whirlgrip Stabilizer



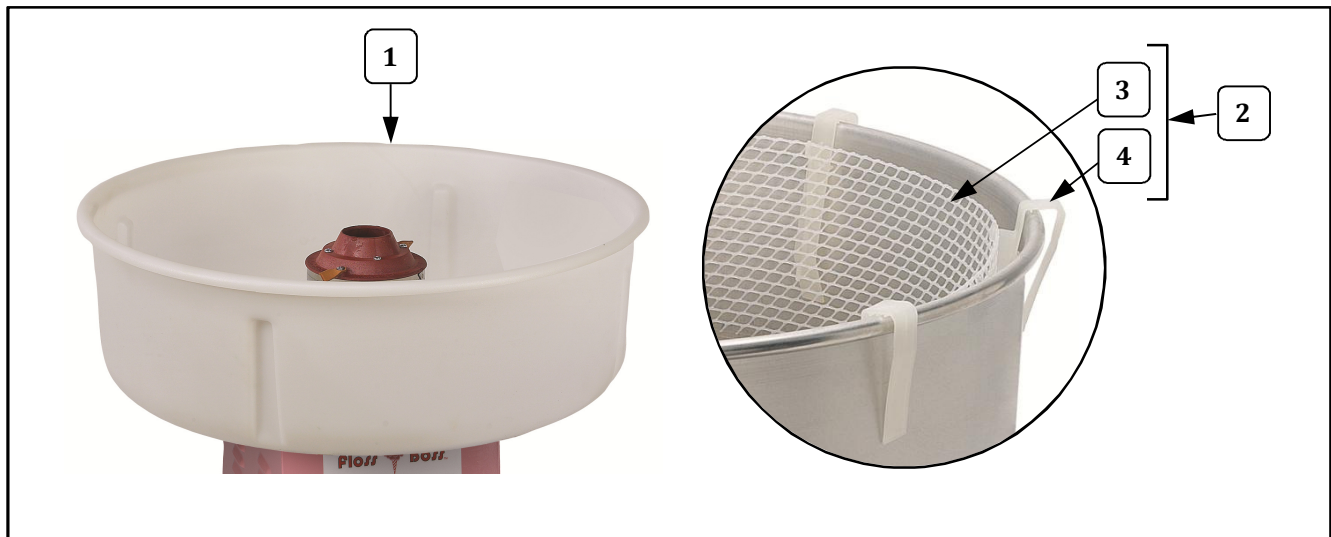
Item	Part Description	Qty.	Part Number	
			3024	3024EX
1	FLOSS PAN	1	42040NMR	42040NMR
2	WHIRLGRIP STABILIZER (Includes Floss Stabilizer and Clips)	1	3010NM	3010NM
3	FLOSS STABILIZER (Web)	1	43032NM	43032NM
4	WHIRLGRIP CLIPS	5	77470	77470



## Parts List - Floss Machine Exterior View

Item	Part Description	Qty.	Part Number	
			3024	3024EX
1	SPINNER HEAD COMPLETE 5IN	1	42283	42283EX
2	INSP.COVER,FOUR BRUSH	2	42381	42381
3	8-32 X 1/2 SLOTTED H W H	4	49379	49379
4	BELL HOUSING, DUAL BRUSH	1	42190	42190
5	ACORN NUT 1/4-20	3	49068	49068
6	NAMEPLATE	1	12602	42594
7	KNOB, HEAT CONTROL	1	42556	
	KNOB, PAKTRONIC CONTROL	1		40793
8	STRAIN RELIEF #SR-6P3-4	1	76026	
	IEC RECEPTACLE C14	1		55511
9	LEAD-IN CORD 15 AMP PLUG	1	22038	
	POWER CORD IEC SCHUKO	1		42372
10	SWITCH, LIGHTED ROCKER GR	2	42798	42798
11	BOTTOM PLATE NS	1	42448	42448
12	RUBBER FEET 3/4IN HIGH	8	47155	47155
13	HANDLE	2	67069	67069
14	KNOB SHIPPING BRACKET	2	42150	42150
15	SHIPPING BRACKET ASSY	1	69839	69839
16	BRUSH HOLDER ASSY (Includes Brushes, Caps, Holders)	2	42382W	42383W
17	CAP, BRUSH HOLDER	4	42138	42138
18	CARBON BRUSH	4	55007	55007
19	DUAL BRUSH HOLDER W/LEADS	2	42436W	42384W

## Floss Pan and Whirlgrip Stabilizer



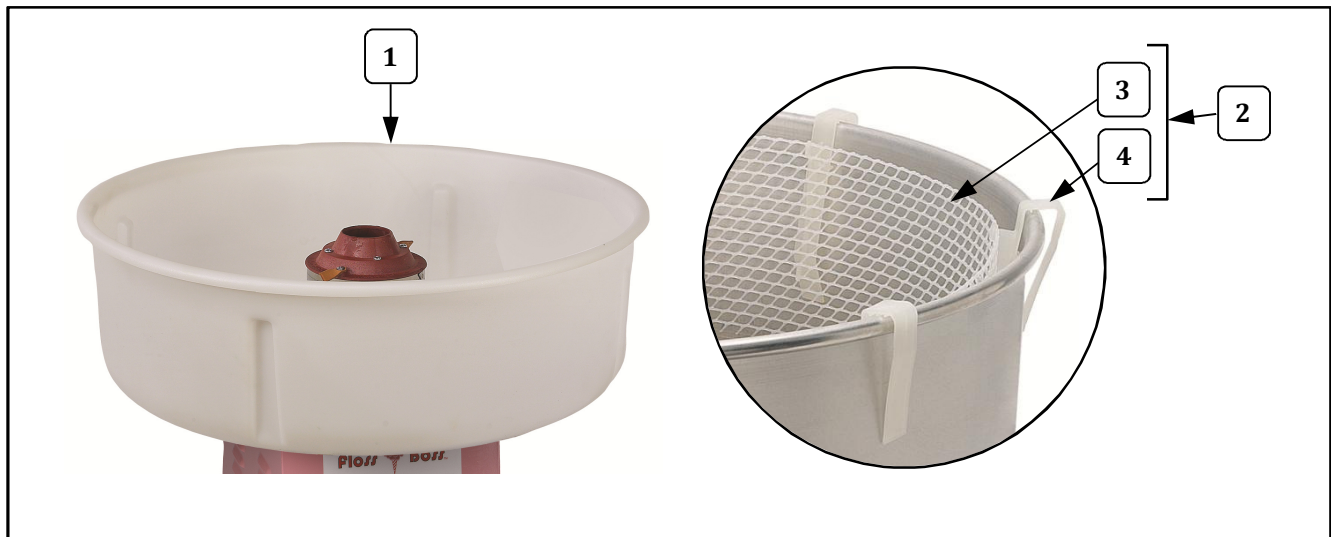
Item	Part Description	Qty.	Part Number	
			3024	3024EX
1	FLOSS PAN	1	42040NMR	42040NMR
2	WHIRLGRIP STABILIZER (Includes Floss Stabilizer and Clips)	1	3010NM	3010NM
3	FLOSS STABILIZER (Web)	1	43032NM	43032NM
4	WHIRLGRIP CLIPS	5	77470	77470



## Parts List - Floss Machine Exterior View

Item	Part Description	Qty.	Part Number	
			3024	3024EX
1	SPINNER HEAD COMPLETE 5IN	1	42283	42283EX
2	INSP.COVER,FOUR BRUSH	2	42381	42381
3	8-32 X 1/2 SLOTTED H W H	4	49379	49379
4	BELL HOUSING, DUAL BRUSH	1	42190	42190
5	ACORN NUT 1/4-20	3	49068	49068
6	NAMEPLATE	1	12602	42594
7	KNOB, HEAT CONTROL	1	42556	
	KNOB, PAKTRONIC CONTROL	1		40793
8	STRAIN RELIEF #SR-6P3-4	1	76026	
	IEC RECEPTACLE C14	1		55511
9	LEAD-IN CORD 15 AMP PLUG	1	22038	
	POWER CORD IEC SCHUKO	1		42372
10	SWITCH, LIGHTED ROCKER GR	2	42798	42798
11	BOTTOM PLATE NS	1	42448	42448
12	RUBBER FEET 3/4IN HIGH	8	47155	47155
13	HANDLE	2	67069	67069
14	KNOB SHIPPING BRACKET	2	42150	42150
15	SHIPPING BRACKET ASSY	1	69839	69839
16	BRUSH HOLDER ASSY (Includes Brushes, Caps, Holders)	2	42382W	42383W
17	CAP, BRUSH HOLDER	4	42138	42138
18	CARBON BRUSH	4	55007	55007
19	DUAL BRUSH HOLDER W/LEADS	2	42436W	42384W

## Floss Pan and Whirlgrip Stabilizer



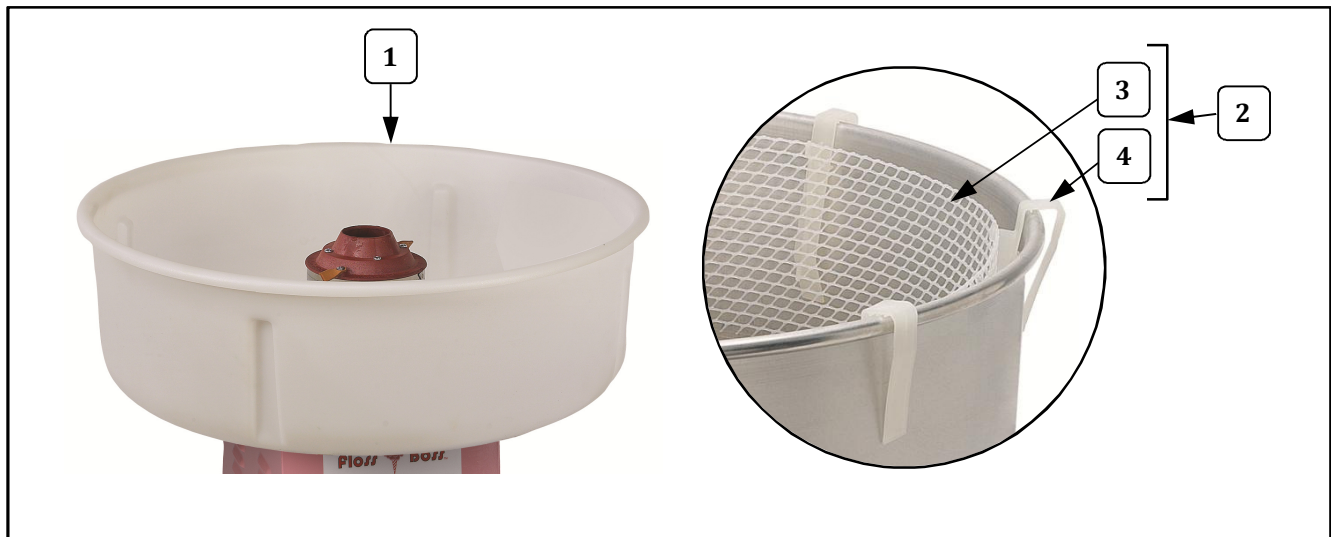
Item	Part Description	Qty.	Part Number	
			3024	3024EX
1	FLOSS PAN	1	42040NMR	42040NMR
2	WHIRLGRIP STABILIZER (Includes Floss Stabilizer and Clips)	1	3010NM	3010NM
3	FLOSS STABILIZER (Web)	1	43032NM	43032NM
4	WHIRLGRIP CLIPS	5	77470	77470



## Parts List - Floss Machine Exterior View

Item	Part Description	Qty.	Part Number	
			3024	3024EX
1	SPINNER HEAD COMPLETE 5IN	1	42283	42283EX
2	INSP.COVER,FOUR BRUSH	2	42381	42381
3	8-32 X 1/2 SLOTTED H W H	4	49379	49379
4	BELL HOUSING, DUAL BRUSH	1	42190	42190
5	ACORN NUT 1/4-20	3	49068	49068
6	NAMEPLATE	1	12602	42594
7	KNOB, HEAT CONTROL	1	42556	
	KNOB, PAKTRONIC CONTROL	1		40793
8	STRAIN RELIEF #SR-6P3-4	1	76026	
	IEC RECEPTACLE C14	1		55511
9	LEAD-IN CORD 15 AMP PLUG	1	22038	
	POWER CORD IEC SCHUKO	1		42372
10	SWITCH, LIGHTED ROCKER GR	2	42798	42798
11	BOTTOM PLATE NS	1	42448	42448
12	RUBBER FEET 3/4IN HIGH	8	47155	47155
13	HANDLE	2	67069	67069
14	KNOB SHIPPING BRACKET	2	42150	42150
15	SHIPPING BRACKET ASSY	1	69839	69839
16	BRUSH HOLDER ASSY (Includes Brushes, Caps, Holders)	2	42382W	42383W
17	CAP, BRUSH HOLDER	4	42138	42138
18	CARBON BRUSH	4	55007	55007
19	DUAL BRUSH HOLDER W/LEADS	2	42436W	42384W

## Floss Pan and Whirlgrip Stabilizer



Item	Part Description	Qty.	Part Number	
			3024	3024EX
1	FLOSS PAN	1	42040NMR	42040NMR
2	WHIRLGRIP STABILIZER (Includes Floss Stabilizer and Clips)	1	3010NM	3010NM
3	FLOSS STABILIZER (Web)	1	43032NM	43032NM
4	WHIRLGRIP CLIPS	5	77470	77470



## Parts List - Floss Machine Exterior View

Item	Part Description	Qty.	Part Number	
			3024	3024EX
1	SPINNER HEAD COMPLETE 5IN	1	42283	42283EX
2	INSP.COVER,FOUR BRUSH	2	42381	42381
3	8-32 X 1/2 SLOTTED H W H	4	49379	49379
4	BELL HOUSING, DUAL BRUSH	1	42190	42190
5	ACORN NUT 1/4-20	3	49068	49068
6	NAMEPLATE	1	12602	42594
7	KNOB, HEAT CONTROL	1	42556	
	KNOB, PAKTRONIC CONTROL	1		40793
8	STRAIN RELIEF #SR-6P3-4	1	76026	
	IEC RECEPTACLE C14	1		55511
9	LEAD-IN CORD 15 AMP PLUG	1	22038	
	POWER CORD IEC SCHUKO	1		42372
10	SWITCH, LIGHTED ROCKER GR	2	42798	42798
11	BOTTOM PLATE NS	1	42448	42448
12	RUBBER FEET 3/4IN HIGH	8	47155	47155
13	HANDLE	2	67069	67069
14	KNOB SHIPPING BRACKET	2	42150	42150
15	SHIPPING BRACKET ASSY	1	69839	69839
16	BRUSH HOLDER ASSY (Includes Brushes, Caps, Holders)	2	42382W	42383W
17	CAP, BRUSH HOLDER	4	42138	42138
18	CARBON BRUSH	4	55007	55007
19	DUAL BRUSH HOLDER W/LEADS	2	42436W	42384W

## Floss Pan and Whirlgrip Stabilizer



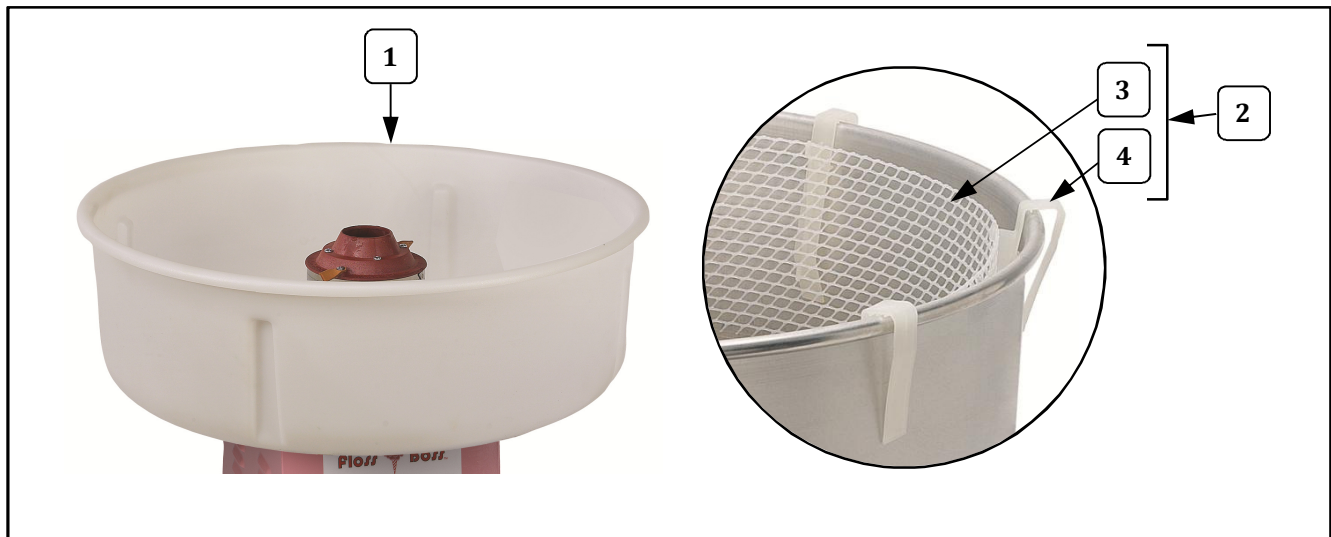
Item	Part Description	Qty.	Part Number	
			3024	3024EX
1	FLOSS PAN	1	42040NMR	42040NMR
2	WHIRLGRIP STABILIZER (Includes Floss Stabilizer and Clips)	1	3010NM	3010NM
3	FLOSS STABILIZER (Web)	1	43032NM	43032NM
4	WHIRLGRIP CLIPS	5	77470	77470



## Parts List - Floss Machine Exterior View

Item	Part Description	Qty.	Part Number	
			3024	3024EX
1	SPINNER HEAD COMPLETE 5IN	1	42283	42283EX
2	INSP.COVER,FOUR BRUSH	2	42381	42381
3	8-32 X 1/2 SLOTTED H W H	4	49379	49379
4	BELL HOUSING, DUAL BRUSH	1	42190	42190
5	ACORN NUT 1/4-20	3	49068	49068
6	NAMEPLATE	1	12602	42594
7	KNOB, HEAT CONTROL	1	42556	
	KNOB, PAKTRONIC CONTROL	1		40793
8	STRAIN RELIEF #SR-6P3-4	1	76026	
	IEC RECEPTACLE C14	1		55511
9	LEAD-IN CORD 15 AMP PLUG	1	22038	
	POWER CORD IEC SCHUKO	1		42372
10	SWITCH, LIGHTED ROCKER GR	2	42798	42798
11	BOTTOM PLATE NS	1	42448	42448
12	RUBBER FEET 3/4IN HIGH	8	47155	47155
13	HANDLE	2	67069	67069
14	KNOB SHIPPING BRACKET	2	42150	42150
15	SHIPPING BRACKET ASSY	1	69839	69839
16	BRUSH HOLDER ASSY (Includes Brushes, Caps, Holders)	2	42382W	42383W
17	CAP, BRUSH HOLDER	4	42138	42138
18	CARBON BRUSH	4	55007	55007
19	DUAL BRUSH HOLDER W/LEADS	2	42436W	42384W

## Floss Pan and Whirlgrip Stabilizer



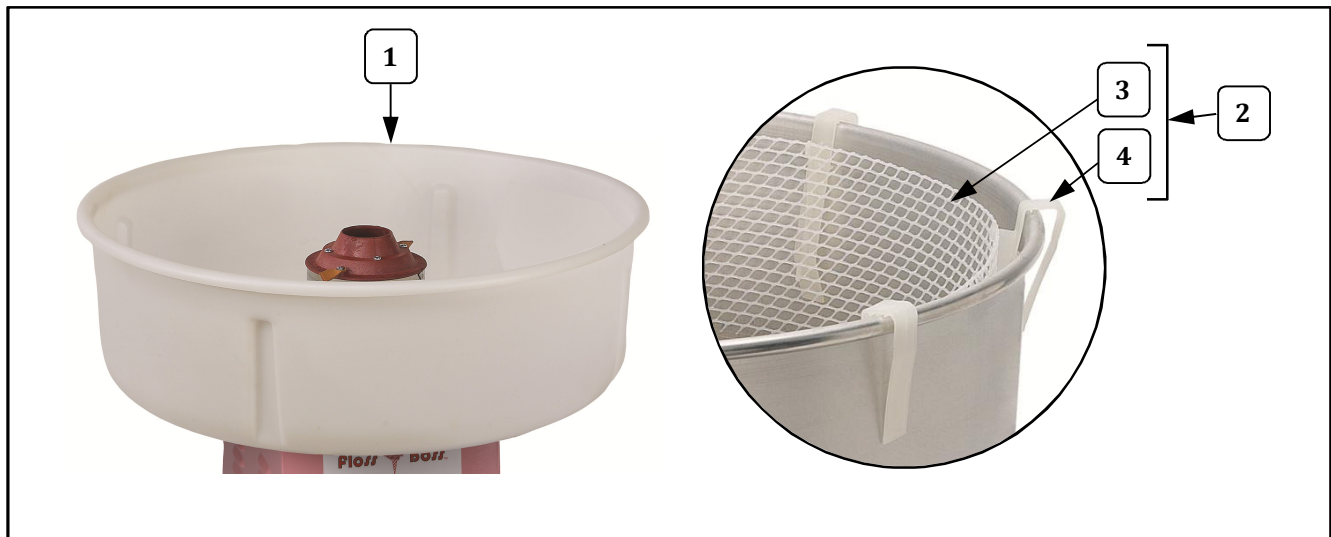
Item	Part Description	Qty.	Part Number	
			3024	3024EX
1	FLOSS PAN	1	42040NMR	42040NMR
2	WHIRLGRIP STABILIZER (Includes Floss Stabilizer and Clips)	1	3010NM	3010NM
3	FLOSS STABILIZER (Web)	1	43032NM	43032NM
4	WHIRLGRIP CLIPS	5	77470	77470



## Parts List - Floss Machine Exterior View

Item	Part Description	Qty.	Part Number	
			3024	3024EX
1	SPINNER HEAD COMPLETE 5IN	1	42283	42283EX
2	INSP.COVER,FOUR BRUSH	2	42381	42381
3	8-32 X 1/2 SLOTTED H W H	4	49379	49379
4	BELL HOUSING, DUAL BRUSH	1	42190	42190
5	ACORN NUT 1/4-20	3	49068	49068
6	NAMEPLATE	1	12602	42594
7	KNOB, HEAT CONTROL	1	42556	
	KNOB, PAKTRONIC CONTROL	1		40793
8	STRAIN RELIEF #SR-6P3-4	1	76026	
	IEC RECEPTACLE C14	1		55511
9	LEAD-IN CORD 15 AMP PLUG	1	22038	
	POWER CORD IEC SCHUKO	1		42372
10	SWITCH, LIGHTED ROCKER GR	2	42798	42798
11	BOTTOM PLATE NS	1	42448	42448
12	RUBBER FEET 3/4IN HIGH	8	47155	47155
13	HANDLE	2	67069	67069
14	KNOB SHIPPING BRACKET	2	42150	42150
15	SHIPPING BRACKET ASSY	1	69839	69839
16	BRUSH HOLDER ASSY (Includes Brushes, Caps, Holders)	2	42382W	42383W
17	CAP, BRUSH HOLDER	4	42138	42138
18	CARBON BRUSH	4	55007	55007
19	DUAL BRUSH HOLDER W/LEADS	2	42436W	42384W

## Floss Pan and Whirlgrip Stabilizer



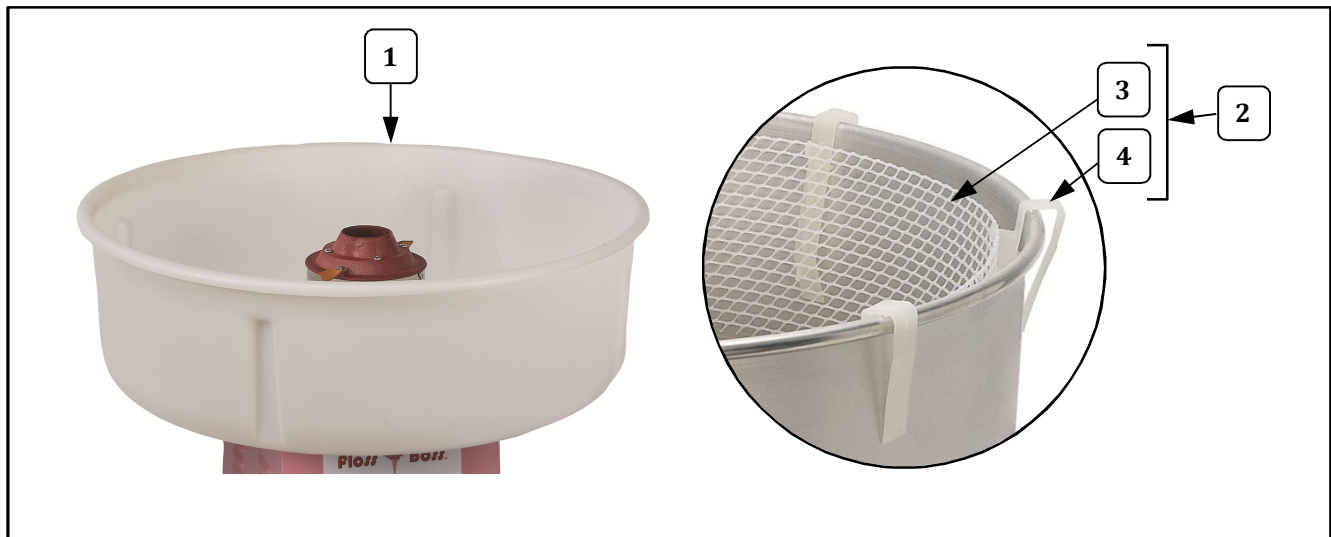
Item	Part Description	Qty.	Part Number	
			3024	3024EX
1	FLOSS PAN	1	42040NMR	42040NMR
2	WHIRLGRIP STABILIZER (Includes Floss Stabilizer and Clips)	1	3010NM	3010NM
3	FLOSS STABILIZER (Web)	1	43032NM	43032NM
4	WHIRLGRIP CLIPS	5	77470	77470



## Parts List - Floss Machine Exterior View

Item	Part Description	Qty.	Part Number	
			3024	3024EX
1	SPINNER HEAD COMPLETE 5IN	1	42283	42283EX
2	INSP.COVER,FOUR BRUSH	2	42381	42381
3	8-32 X 1/2 SLOTTED H W H	4	49379	49379
4	BELL HOUSING, DUAL BRUSH	1	42190	42190
5	ACORN NUT 1/4-20	3	49068	49068
6	NAMEPLATE	1	12602	42594
7	KNOB, HEAT CONTROL	1	42556	
	KNOB, PAKTRONIC CONTROL	1		40793
8	STRAIN RELIEF #SR-6P3-4	1	76026	
	IEC RECEPTACLE C14	1		55511
9	LEAD-IN CORD 15 AMP PLUG	1	22038	
	POWER CORD IEC SCHUKO	1		42372
10	SWITCH, LIGHTED ROCKER GR	2	42798	42798
11	BOTTOM PLATE NS	1	42448	42448
12	RUBBER FEET 3/4IN HIGH	8	47155	47155
13	HANDLE	2	67069	67069
14	KNOB SHIPPING BRACKET	2	42150	42150
15	SHIPPING BRACKET ASSY	1	69839	69839
16	BRUSH HOLDER ASSY (Includes Brushes, Caps, Holders)	2	42382W	42383W
17	CAP, BRUSH HOLDER	4	42138	42138
18	CARBON BRUSH	4	55007	55007
19	DUAL BRUSH HOLDER W/LEADS	2	42436W	42384W

## Floss Pan and Whirlgrip Stabilizer



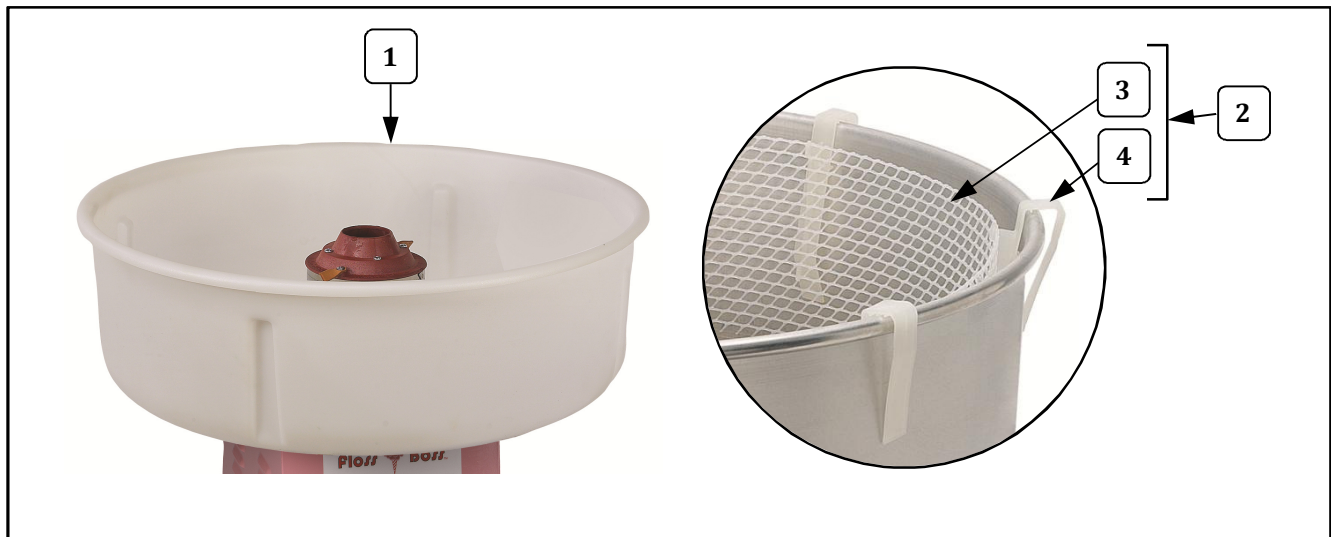
Item	Part Description	Qty.	Part Number	
			3024	3024EX
1	FLOSS PAN	1	42040NMR	42040NMR
2	WHIRLGRIP STABILIZER (Includes Floss Stabilizer and Clips)	1	3010NM	3010NM
3	FLOSS STABILIZER (Web)	1	43032NM	43032NM
4	WHIRLGRIP CLIPS	5	77470	77470



## Parts List - Floss Machine Exterior View

Item	Part Description	Qty.	Part Number	
			3024	3024EX
1	SPINNER HEAD COMPLETE 5IN	1	42283	42283EX
2	INSP.COVER,FOUR BRUSH	2	42381	42381
3	8-32 X 1/2 SLOTTED H W H	4	49379	49379
4	BELL HOUSING, DUAL BRUSH	1	42190	42190
5	ACORN NUT 1/4-20	3	49068	49068
6	NAMEPLATE	1	12602	42594
7	KNOB, HEAT CONTROL	1	42556	
	KNOB, PAKTRONIC CONTROL	1		40793
8	STRAIN RELIEF #SR-6P3-4	1	76026	
	IEC RECEPTACLE C14	1		55511
9	LEAD-IN CORD 15 AMP PLUG	1	22038	
	POWER CORD IEC SCHUKO	1		42372
10	SWITCH, LIGHTED ROCKER GR	2	42798	42798
11	BOTTOM PLATE NS	1	42448	42448
12	RUBBER FEET 3/4IN HIGH	8	47155	47155
13	HANDLE	2	67069	67069
14	KNOB SHIPPING BRACKET	2	42150	42150
15	SHIPPING BRACKET ASSY	1	69839	69839
16	BRUSH HOLDER ASSY (Includes Brushes, Caps, Holders)	2	42382W	42383W
17	CAP, BRUSH HOLDER	4	42138	42138
18	CARBON BRUSH	4	55007	55007
19	DUAL BRUSH HOLDER W/LEADS	2	42436W	42384W

## Floss Pan and Whirlgrip Stabilizer



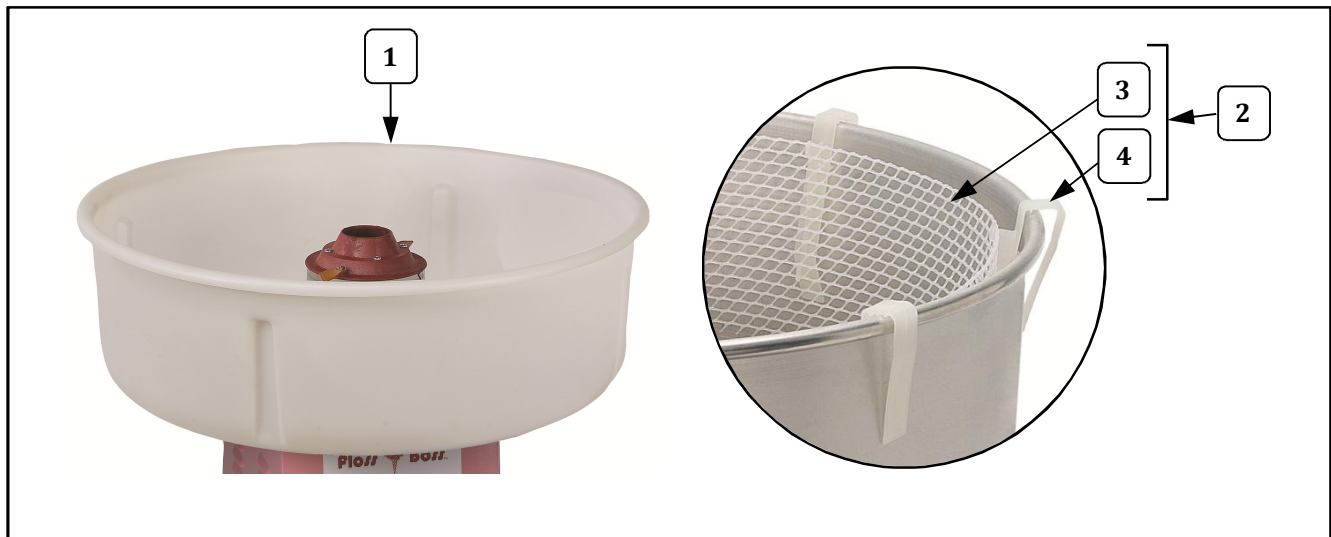
Item	Part Description	Qty.	Part Number	
			3024	3024EX
1	FLOSS PAN	1	42040NMR	42040NMR
2	WHIRLGRIP STABILIZER (Includes Floss Stabilizer and Clips)	1	3010NM	3010NM
3	FLOSS STABILIZER (Web)	1	43032NM	43032NM
4	WHIRLGRIP CLIPS	5	77470	77470



## Parts List - Floss Machine Exterior View

Item	Part Description	Qty.	Part Number	
			3024	3024EX
1	SPINNER HEAD COMPLETE 5IN	1	42283	42283EX
2	INSP.COVER,FOUR BRUSH	2	42381	42381
3	8-32 X 1/2 SLOTTED H W H	4	49379	49379
4	BELL HOUSING, DUAL BRUSH	1	42190	42190
5	ACORN NUT 1/4-20	3	49068	49068
6	NAMEPLATE	1	12602	42594
7	KNOB, HEAT CONTROL	1	42556	
	KNOB, PAKTRONIC CONTROL	1		40793
8	STRAIN RELIEF #SR-6P3-4	1	76026	
	IEC RECEPTACLE C14	1		55511
9	LEAD-IN CORD 15 AMP PLUG	1	22038	
	POWER CORD IEC SCHUKO	1		42372
10	SWITCH, LIGHTED ROCKER GR	2	42798	42798
11	BOTTOM PLATE NS	1	42448	42448
12	RUBBER FEET 3/4IN HIGH	8	47155	47155
13	HANDLE	2	67069	67069
14	KNOB SHIPPING BRACKET	2	42150	42150
15	SHIPPING BRACKET ASSY	1	69839	69839
16	BRUSH HOLDER ASSY (Includes Brushes, Caps, Holders)	2	42382W	42383W
17	CAP, BRUSH HOLDER	4	42138	42138
18	CARBON BRUSH	4	55007	55007
19	DUAL BRUSH HOLDER W/LEADS	2	42436W	42384W

## Floss Pan and Whirlgrip Stabilizer



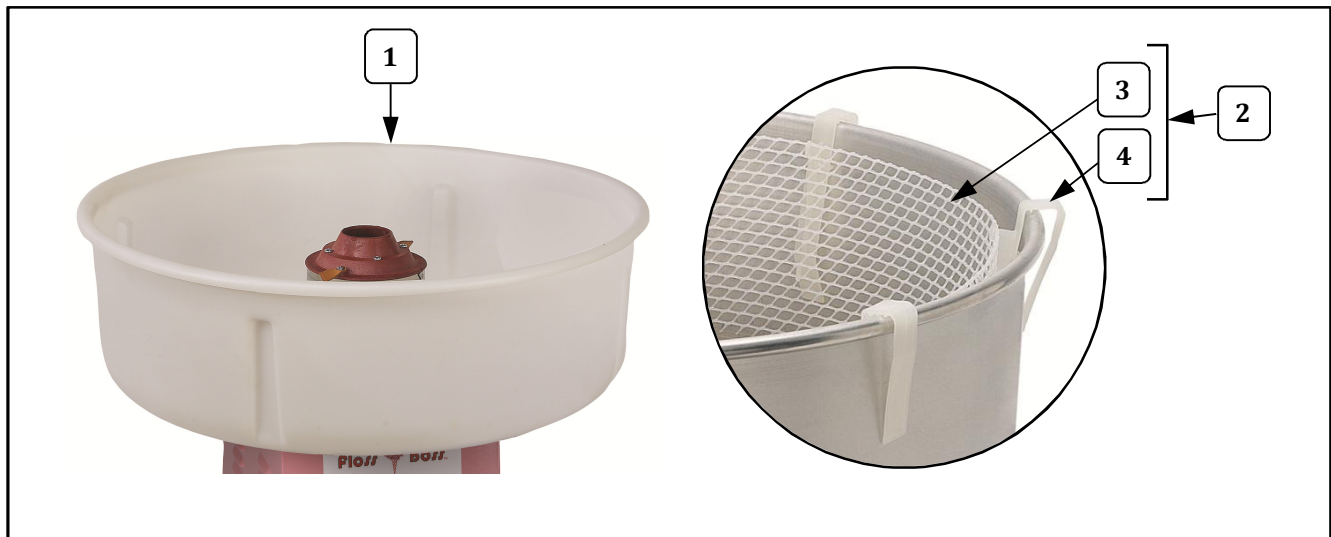
Item	Part Description	Qty.	Part Number	
			3024	3024EX
1	FLOSS PAN	1	42040NMR	42040NMR
2	WHIRLGRIP STABILIZER (Includes Floss Stabilizer and Clips)	1	3010NM	3010NM
3	FLOSS STABILIZER (Web)	1	43032NM	43032NM
4	WHIRLGRIP CLIPS	5	77470	77470



## Parts List - Floss Machine Exterior View

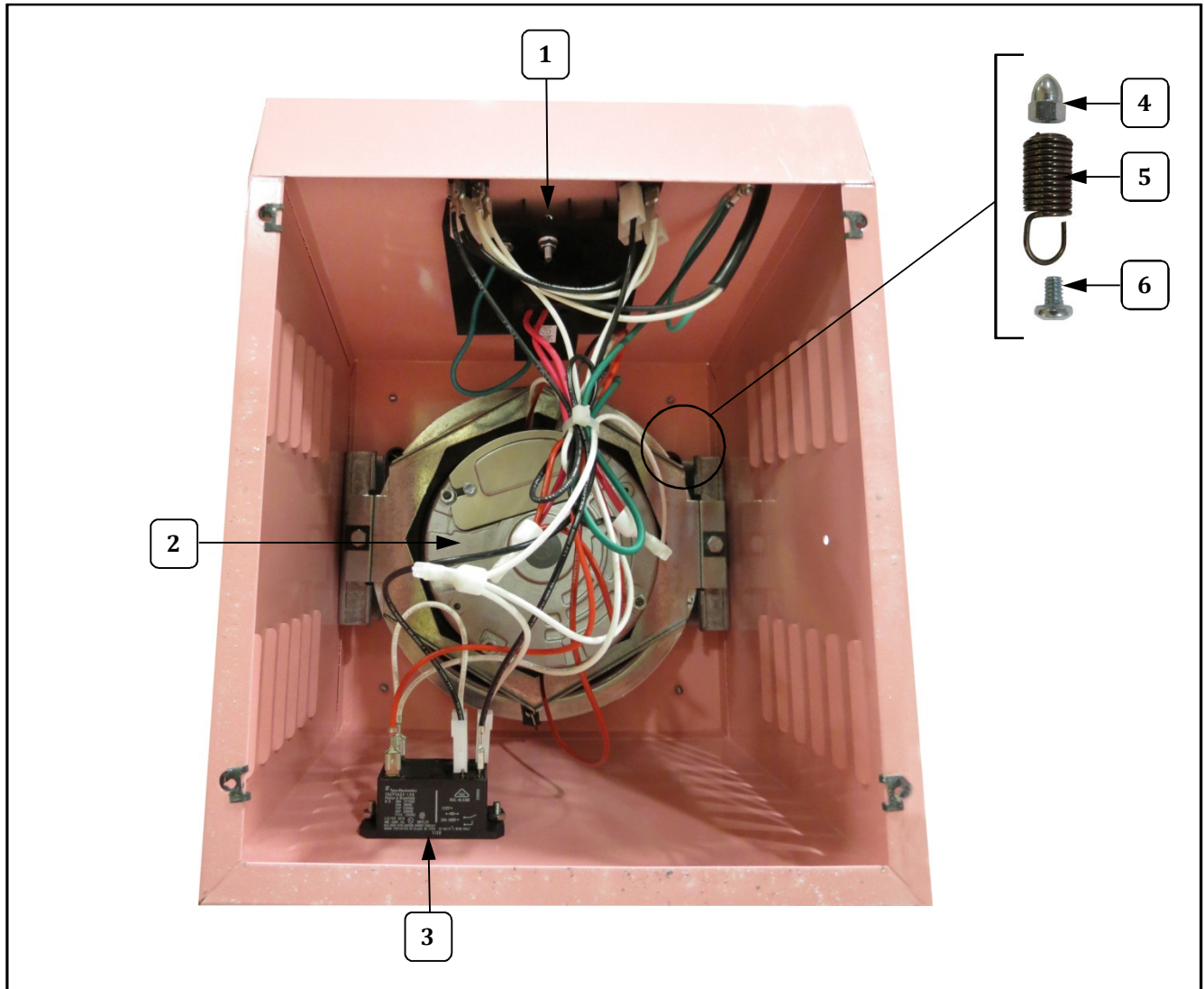
Item	Part Description	Qty.	Part Number	
			3024	3024EX
1	SPINNER HEAD COMPLETE 5IN	1	42283	42283EX
2	INSP.COVER,FOUR BRUSH	2	42381	42381
3	8-32 X 1/2 SLOTTED H W H	4	49379	49379
4	BELL HOUSING, DUAL BRUSH	1	42190	42190
5	ACORN NUT 1/4-20	3	49068	49068
6	NAMEPLATE	1	12602	42594
7	KNOB, HEAT CONTROL	1	42556	
	KNOB, PAKTRONIC CONTROL	1		40793
8	STRAIN RELIEF #SR-6P3-4	1	76026	
	IEC RECEPTACLE C14	1		55511
9	LEAD-IN CORD 15 AMP PLUG	1	22038	
	POWER CORD IEC SCHUKO	1		42372
10	SWITCH, LIGHTED ROCKER GR	2	42798	42798
11	BOTTOM PLATE NS	1	42448	42448
12	RUBBER FEET 3/4IN HIGH	8	47155	47155
13	HANDLE	2	67069	67069
14	KNOB SHIPPING BRACKET	2	42150	42150
15	SHIPPING BRACKET ASSY	1	69839	69839
16	BRUSH HOLDER ASSY (Includes Brushes, Caps, Holders)	2	42382W	42383W
17	CAP, BRUSH HOLDER	4	42138	42138
18	CARBON BRUSH	4	55007	55007
19	DUAL BRUSH HOLDER W/LEADS	2	42436W	42384W

## Floss Pan and Whirlgrip Stabilizer



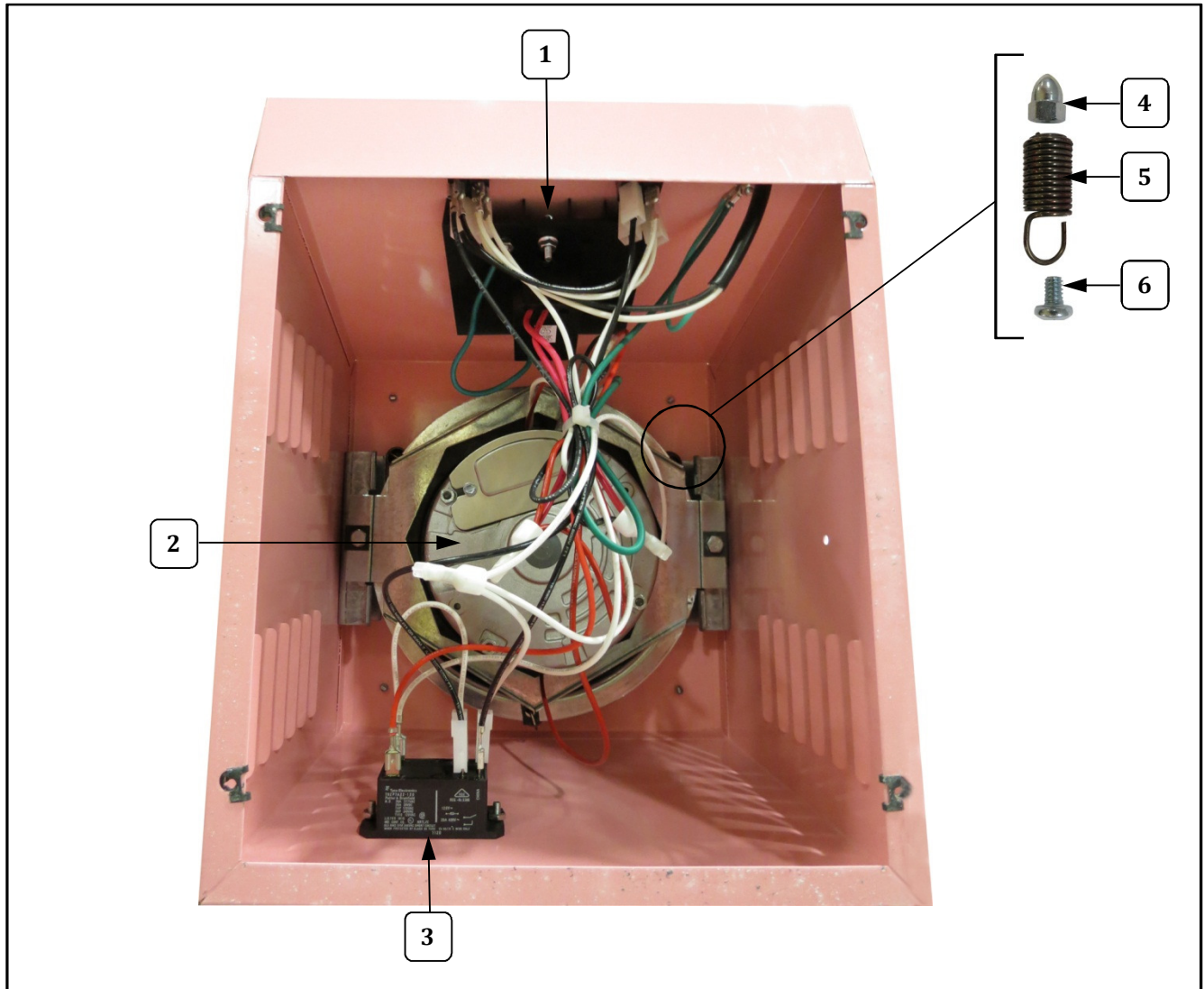
Item	Part Description	Qty.	Part Number	
			3024	3024EX
1	FLOSS PAN	1	42040NMR	42040NMR
2	WHIRLGRIP STABILIZER (Includes Floss Stabilizer and Clips)	1	3010NM	3010NM
3	FLOSS STABILIZER (Web)	1	43032NM	43032NM
4	WHIRLGRIP CLIPS	5	77470	77470

## Cabinet Interior – Model No. 3024



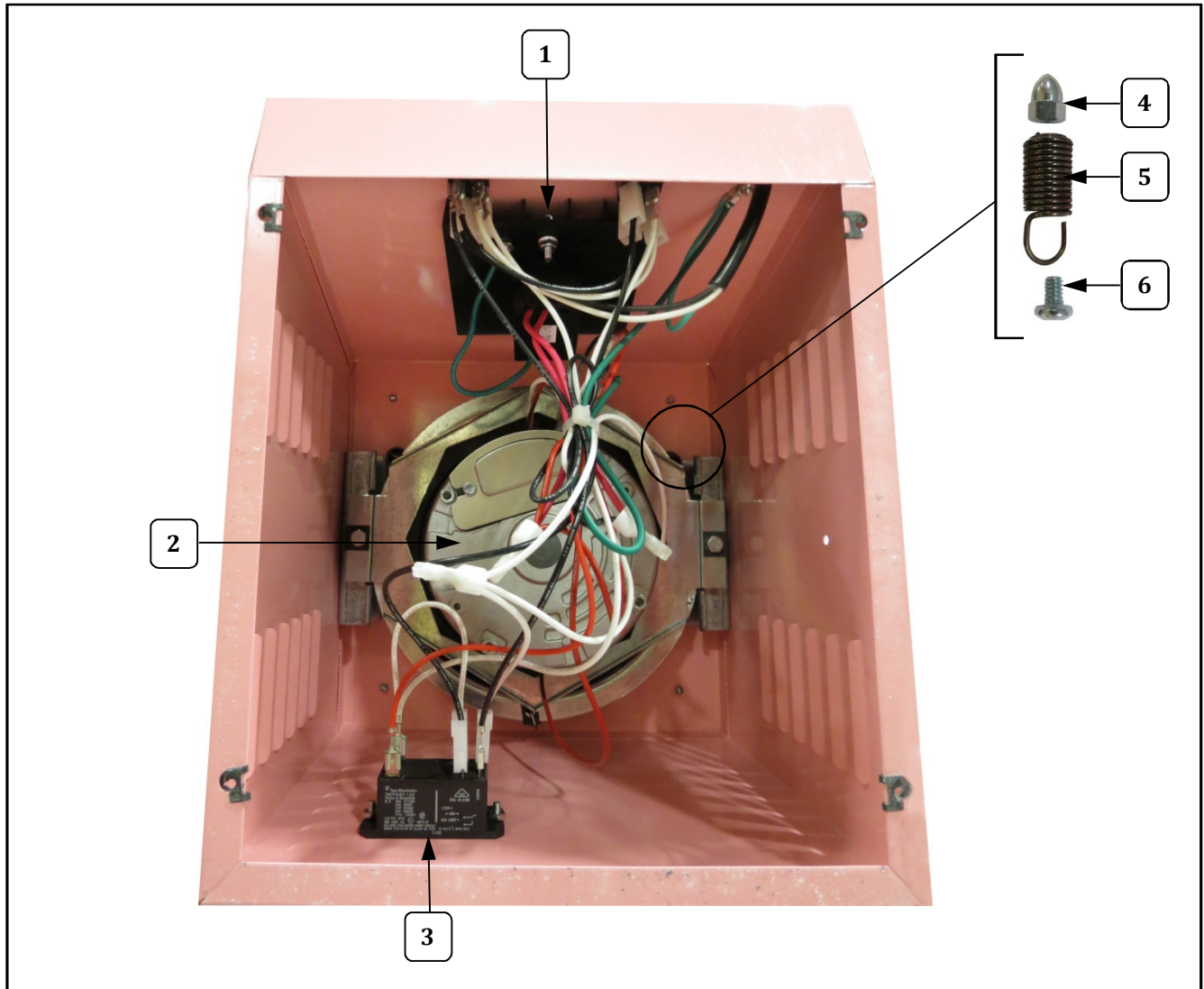
Item	Part Description	Qty.	Part No.
			3024
1	ELECTRONIC HEAT CONTROL	1	<a href="#">42558</a>
2	MOTOR, FLOSS MACHINE	1	<a href="#">48649</a>
3	RELAY, 120 VAC, DPST-NO	1	<a href="#">48590</a>
4	ACORN NUT 1/4-20	3	<a href="#">49068</a>
5	SPRING, SUSPENSION MEDIUM	3	<a href="#">42524</a>
6	SCREW 1/4-20X3/8 PN HD PH	3	<a href="#">42360</a>

## Cabinet Interior – Model No. 3024



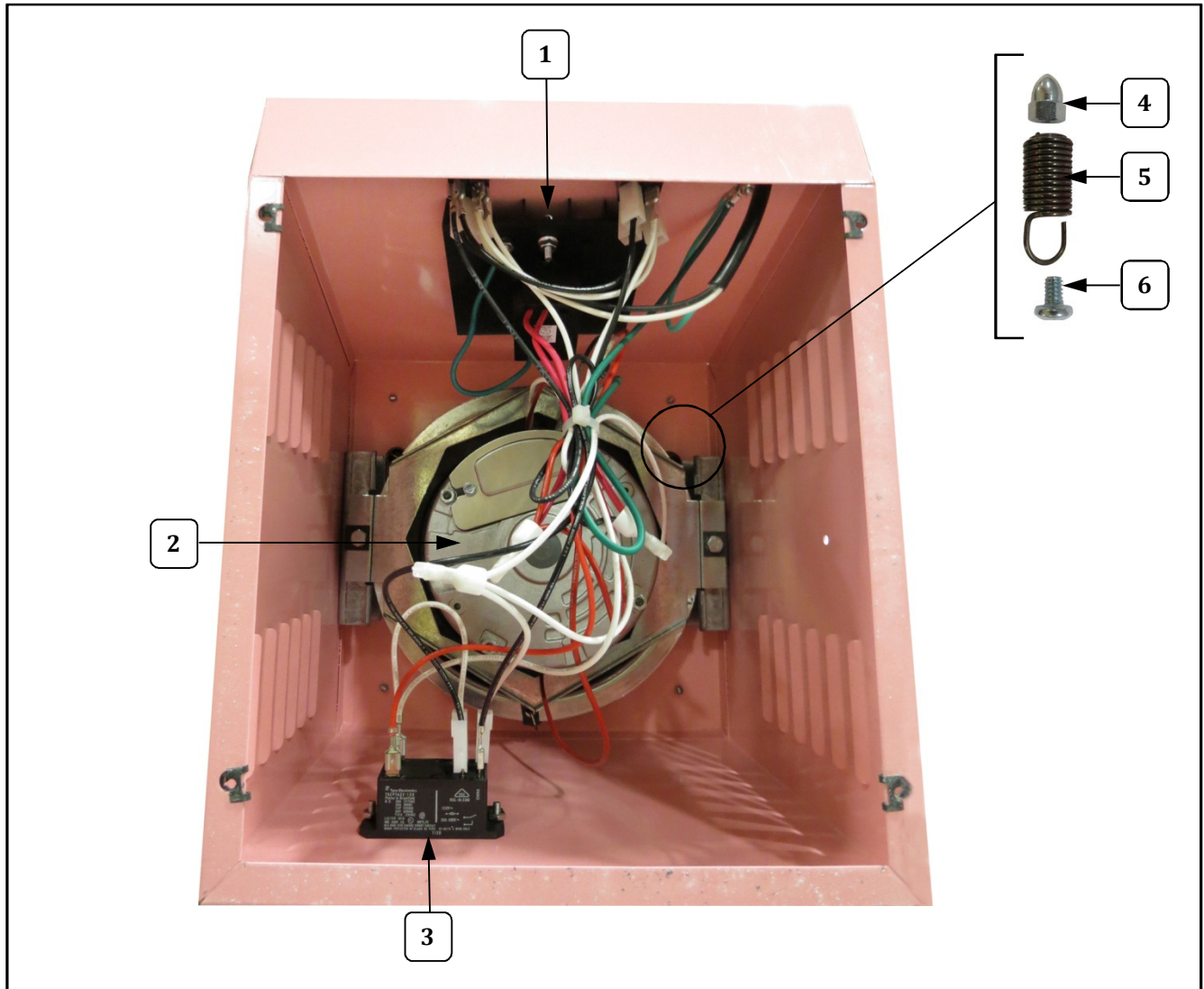
Item	Part Description	Qty.	Part No.
			3024
1	ELECTRONIC HEAT CONTROL	1	<a href="#">42558</a>
2	MOTOR, FLOSS MACHINE	1	<a href="#">48649</a>
3	RELAY, 120 VAC, DPST-NO	1	<a href="#">48590</a>
4	ACORN NUT 1/4-20	3	<a href="#">49068</a>
5	SPRING, SUSPENSION MEDIUM	3	<a href="#">42524</a>
6	SCREW 1/4-20X3/8 PN HD PH	3	<a href="#">42360</a>

## Cabinet Interior – Model No. 3024



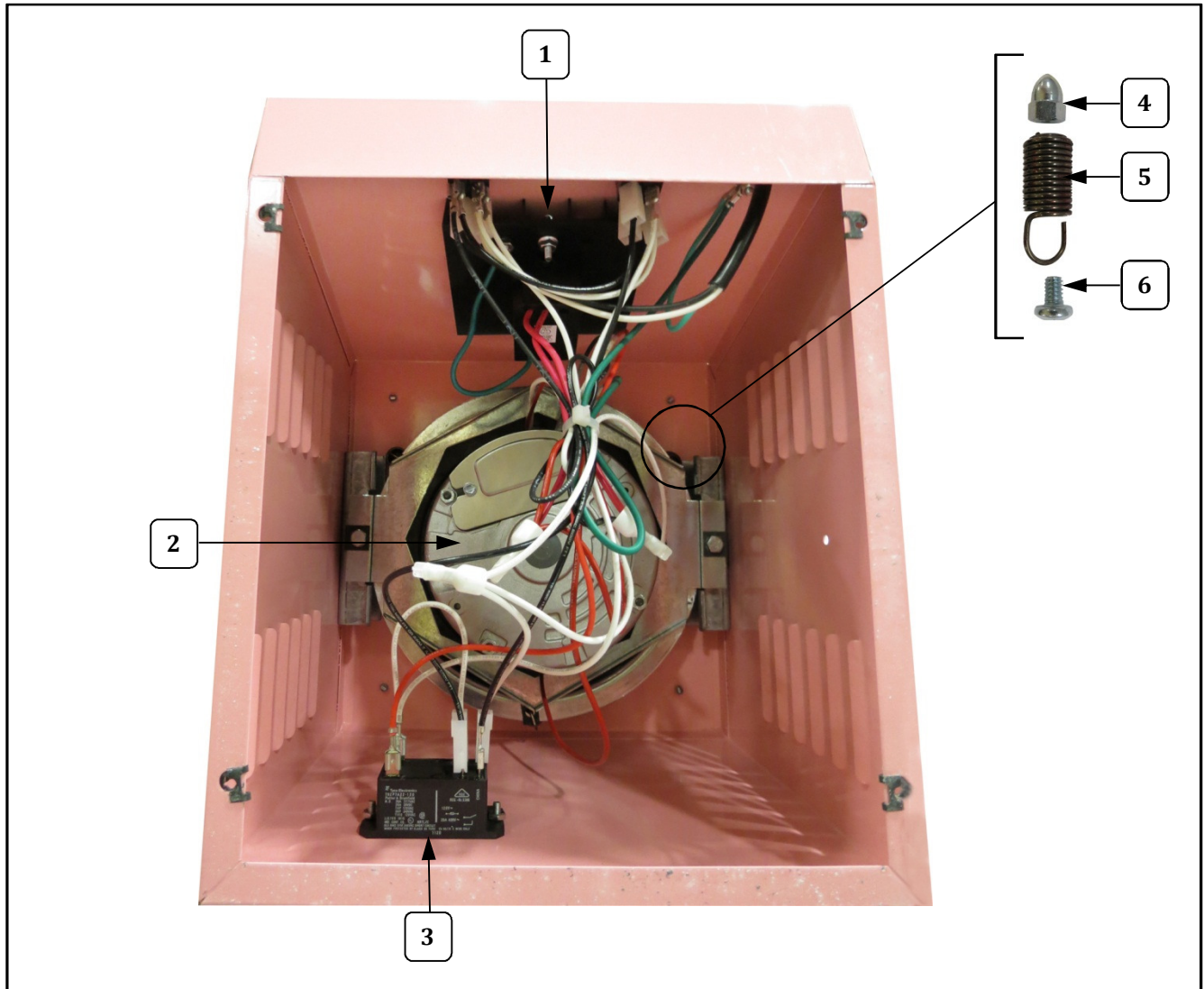
Item	Part Description	Qty.	Part No.
			3024
1	ELECTRONIC HEAT CONTROL	1	<a href="#">42558</a>
2	MOTOR, FLOSS MACHINE	1	<a href="#">48649</a>
3	RELAY, 120 VAC, DPST-NO	1	<a href="#">48590</a>
4	ACORN NUT 1/4-20	3	<a href="#">49068</a>
5	SPRING, SUSPENSION MEDIUM	3	<a href="#">42524</a>
6	SCREW 1/4-20X3/8 PN HD PH	3	<a href="#">42360</a>

## Cabinet Interior – Model No. 3024



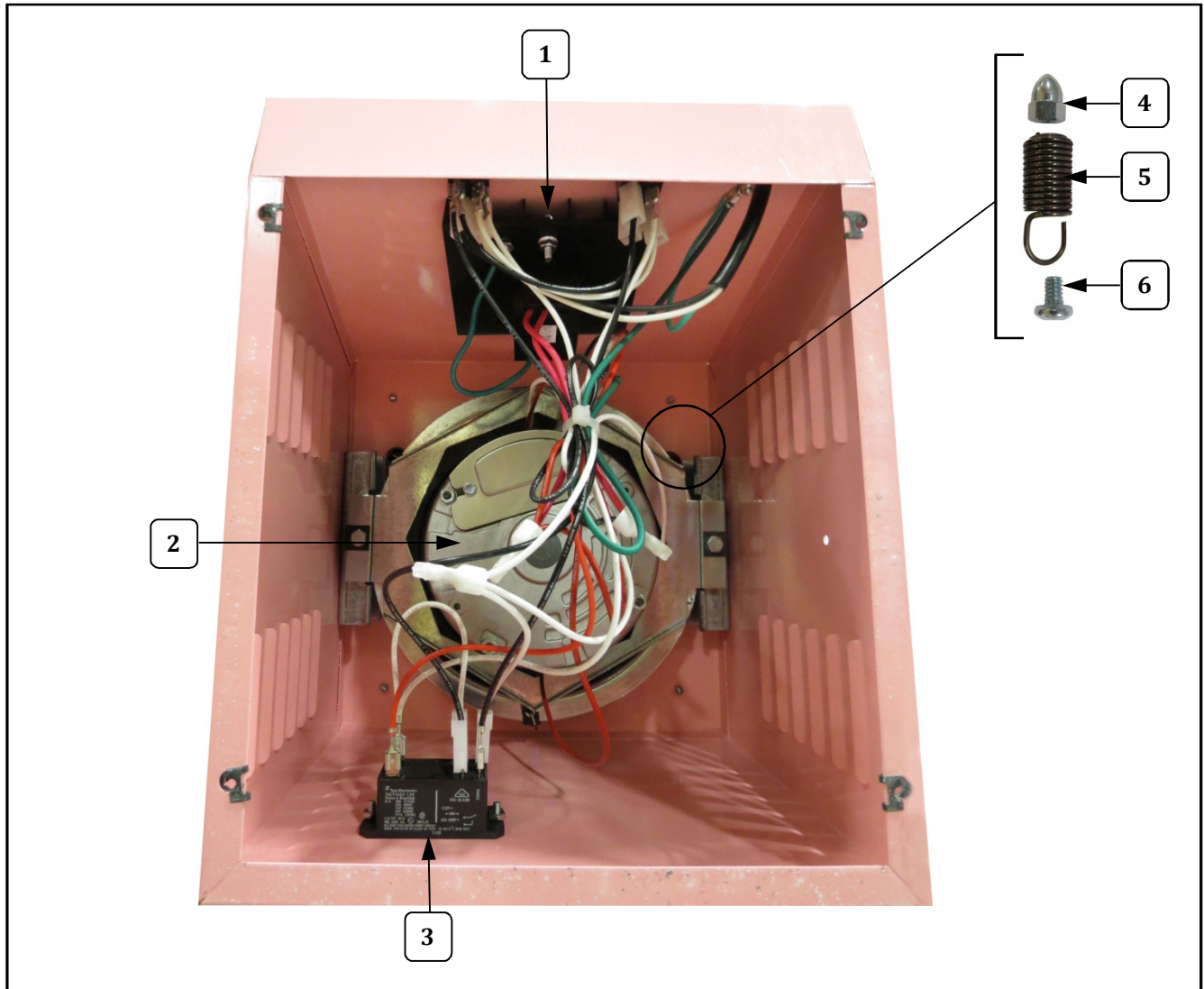
Item	Part Description	Qty.	Part No.
			3024
1	ELECTRONIC HEAT CONTROL	1	<a href="#">42558</a>
2	MOTOR, FLOSS MACHINE	1	<a href="#">48649</a>
3	RELAY, 120 VAC, DPST-NO	1	<a href="#">48590</a>
4	ACORN NUT 1/4-20	3	<a href="#">49068</a>
5	SPRING, SUSPENSION MEDIUM	3	<a href="#">42524</a>
6	SCREW 1/4-20X3/8 PN HD PH	3	<a href="#">42360</a>

## Cabinet Interior – Model No. 3024



Item	Part Description	Qty.	Part No.
			3024
1	ELECTRONIC HEAT CONTROL	1	<a href="#">42558</a>
2	MOTOR, FLOSS MACHINE	1	<a href="#">48649</a>
3	RELAY, 120 VAC, DPST-NO	1	<a href="#">48590</a>
4	ACORN NUT 1/4-20	3	<a href="#">49068</a>
5	SPRING, SUSPENSION MEDIUM	3	<a href="#">42524</a>
6	SCREW 1/4-20X3/8 PN HD PH	3	<a href="#">42360</a>

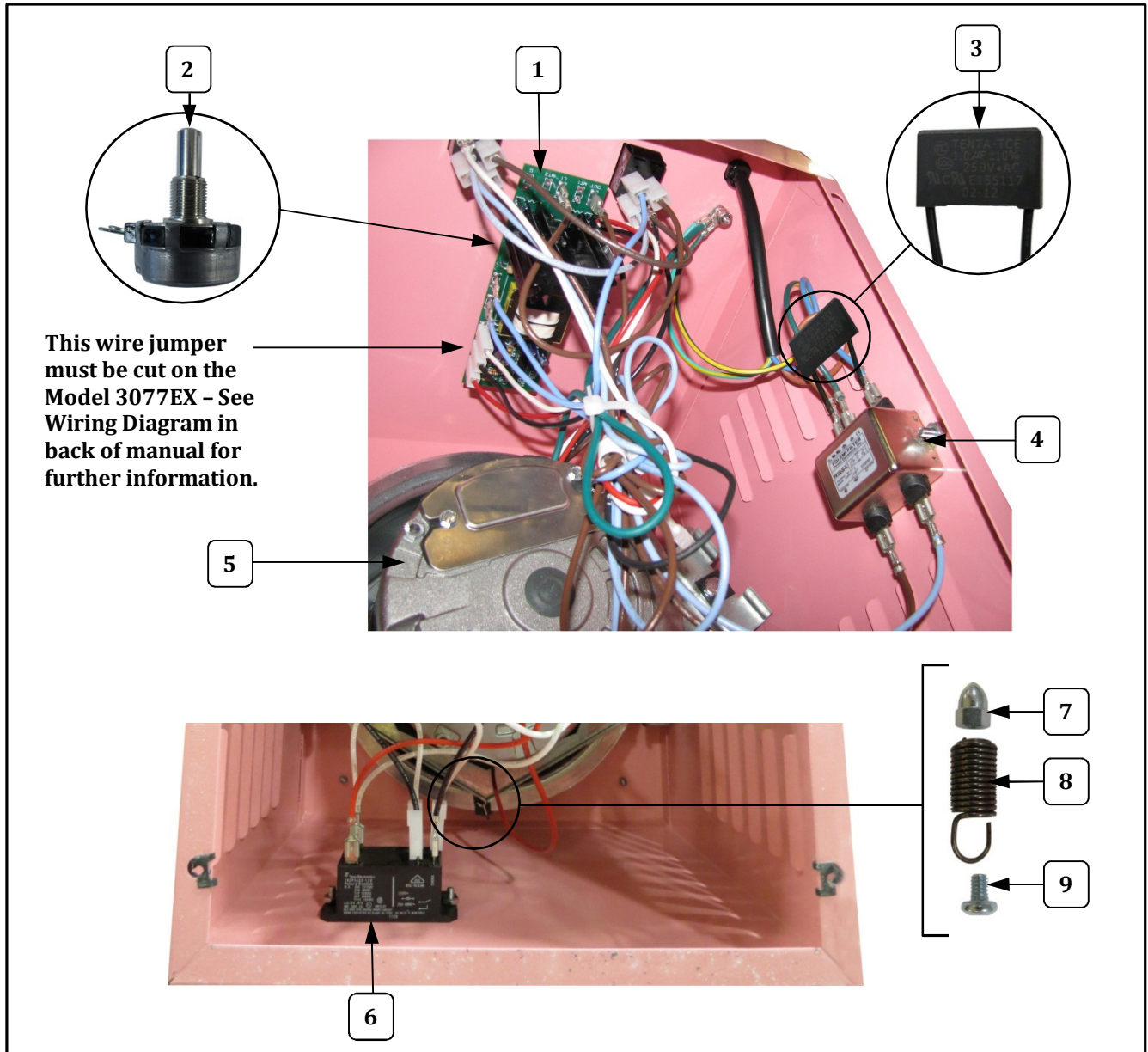
## Cabinet Interior – Model No. 3024



Item	Part Description	Qty.	Part No.
			3024
1	ELECTRONIC HEAT CONTROL	1	<a href="#">42558</a>
2	MOTOR, FLOSS MACHINE	1	<a href="#">48649</a>
3	RELAY, 120 VAC, DPST-NO	1	<a href="#">48590</a>
4	ACORN NUT 1/4-20	3	<a href="#">49068</a>
5	SPRING, SUSPENSION MEDIUM	3	<a href="#">42524</a>
6	SCREW 1/4-20X3/8 PN HD PH	3	<a href="#">42360</a>



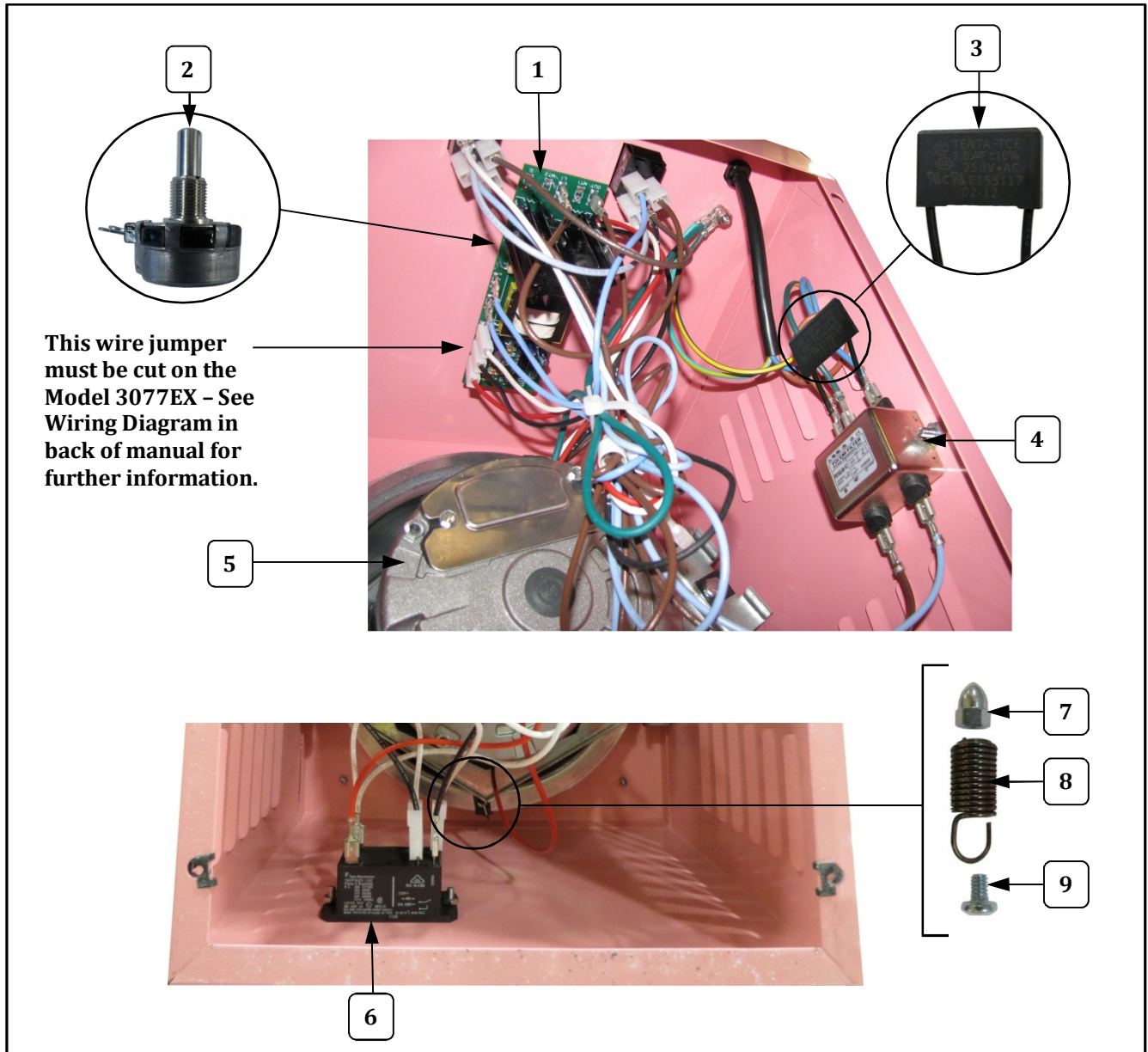
## Cabinet Interior – Model No. 3024EX



Item	Part Description	Qty.	Part No.
			3024EX
1	HEAT CONTROL, FLOSS 240V	1	<a href="#">55260</a>
2	1000 OHM POT ASSY (Knob attaches to it)	1	<a href="#">55332</a>
3	1UF 250VAC CAPACITOR	1	<a href="#">55515</a>
4	FILTER EMI 10 AMP	1	<a href="#">13302</a>
5	MOTOR, FLOSS MACHINE	1	<a href="#">48649EX</a>
6	RELAY, 240 VAC, DPST NO	1	<a href="#">48590EX</a>
7	ACORN NUT 1/4-20	3	<a href="#">49068</a>
8	SPRING, SUSPENSION MEDIUM	3	<a href="#">42524</a>
9	SCREW 1/4-20X3/8 PN HD PH	3	<a href="#">42360</a>



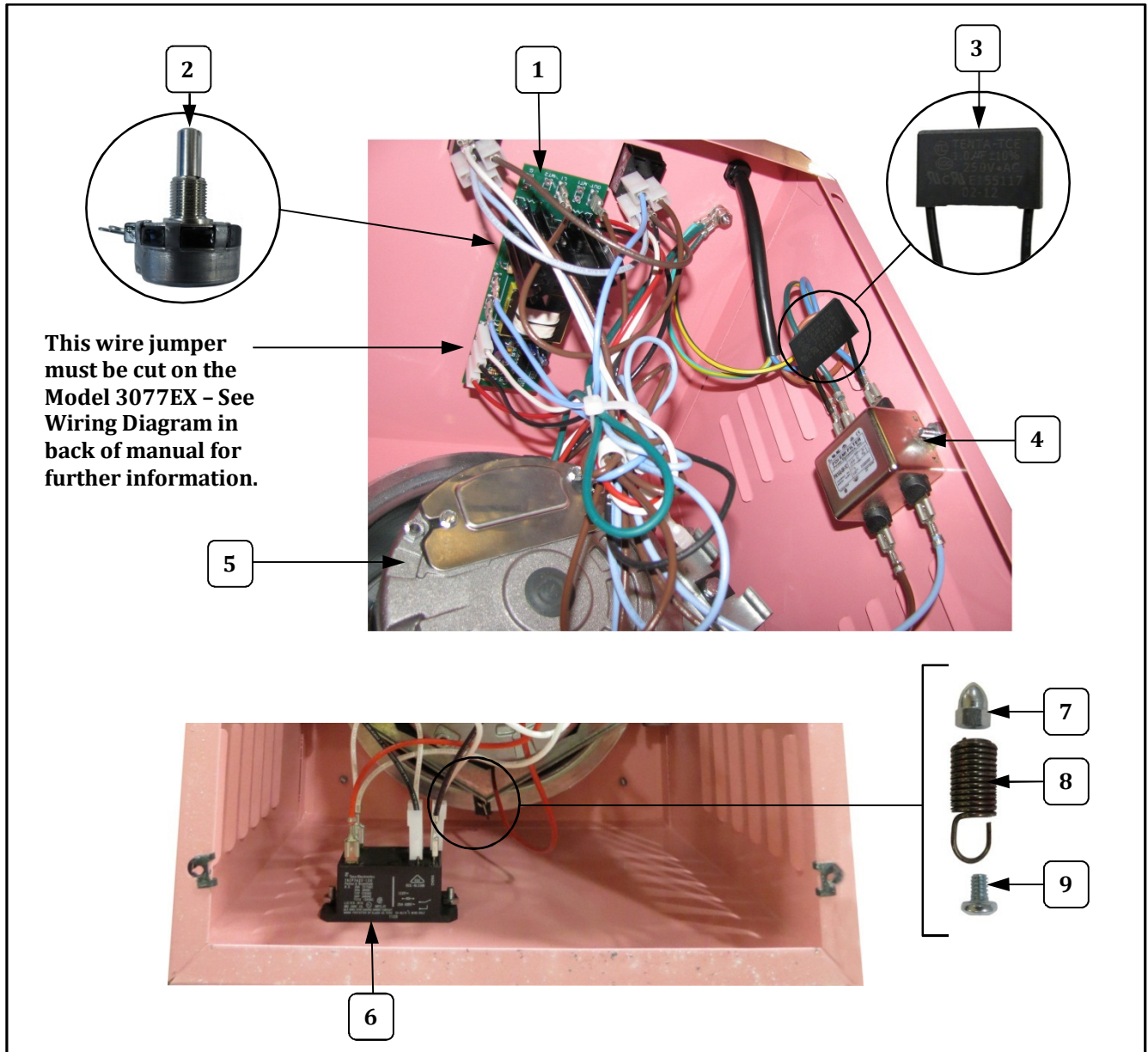
## Cabinet Interior – Model No. 3024EX



Item	Part Description	Qty.	Part No.
			3024EX
1	HEAT CONTROL, FLOSS 240V	1	<a href="#">55260</a>
2	1000 OHM POT ASSY (Knob attaches to it)	1	<a href="#">55332</a>
3	1UF 250VAC CAPACITOR	1	<a href="#">55515</a>
4	FILTER EMI 10 AMP	1	<a href="#">13302</a>
5	MOTOR, FLOSS MACHINE	1	<a href="#">48649EX</a>
6	RELAY, 240 VAC, DPST NO	1	<a href="#">48590EX</a>
7	ACORN NUT 1/4-20	3	<a href="#">49068</a>
8	SPRING, SUSPENSION MEDIUM	3	<a href="#">42524</a>
9	SCREW 1/4-20X3/8 PN HD PH	3	<a href="#">42360</a>

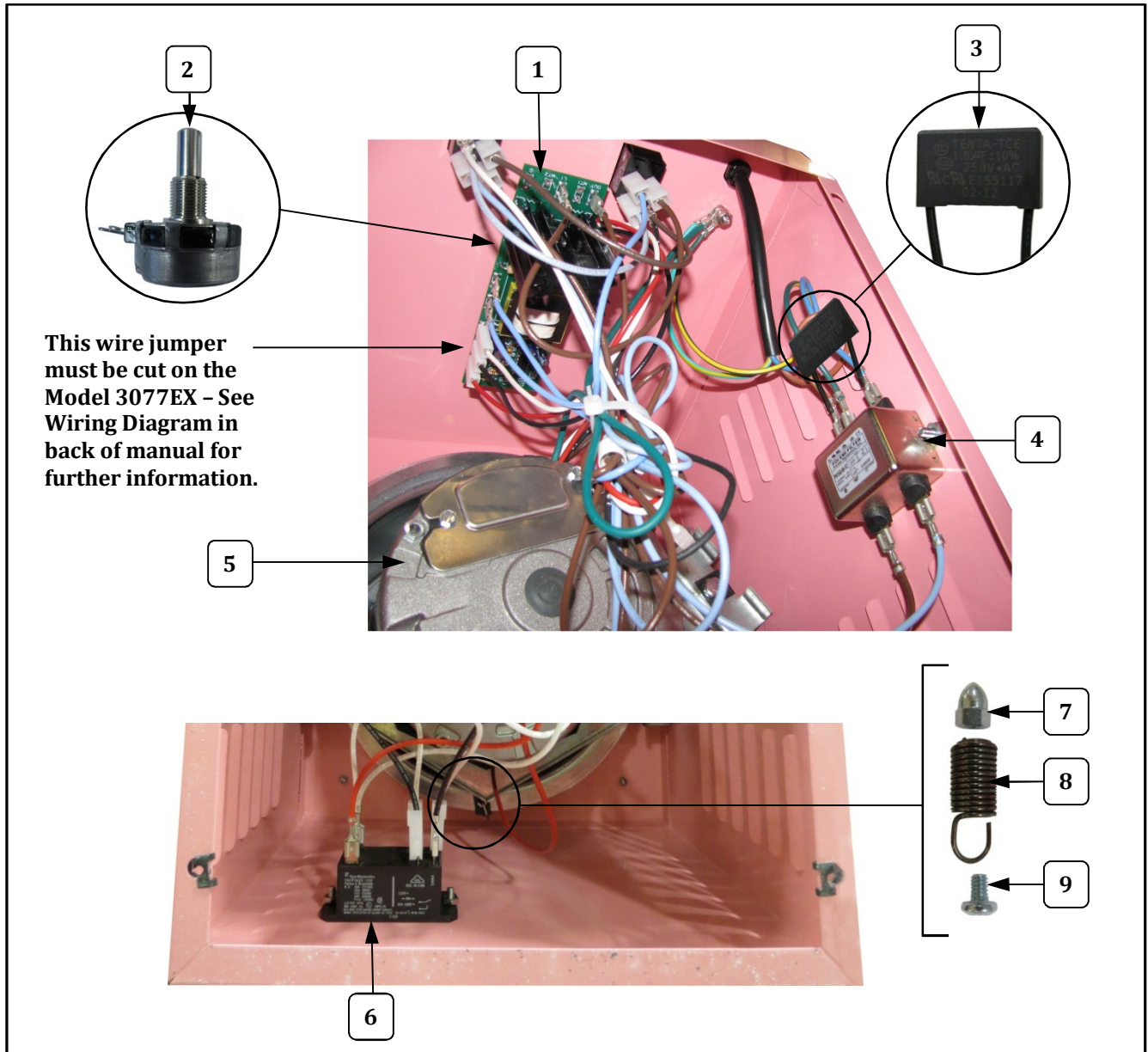


## Cabinet Interior – Model No. 3024EX



Item	Part Description	Qty.	Part No.
			3024EX
1	HEAT CONTROL, FLOSS 240V	1	<a href="#">55260</a>
2	1000 OHM POT ASSY (Knob attaches to it)	1	<a href="#">55332</a>
3	1UF 250VAC CAPACITOR	1	<a href="#">55515</a>
4	FILTER EMI 10 AMP	1	<a href="#">13302</a>
5	MOTOR, FLOSS MACHINE	1	<a href="#">48649EX</a>
6	RELAY, 240 VAC, DPST NO	1	<a href="#">48590EX</a>
7	ACORN NUT 1/4-20	3	<a href="#">49068</a>
8	SPRING, SUSPENSION MEDIUM	3	<a href="#">42524</a>
9	SCREW 1/4-20X3/8 PN HD PH	3	<a href="#">42360</a>

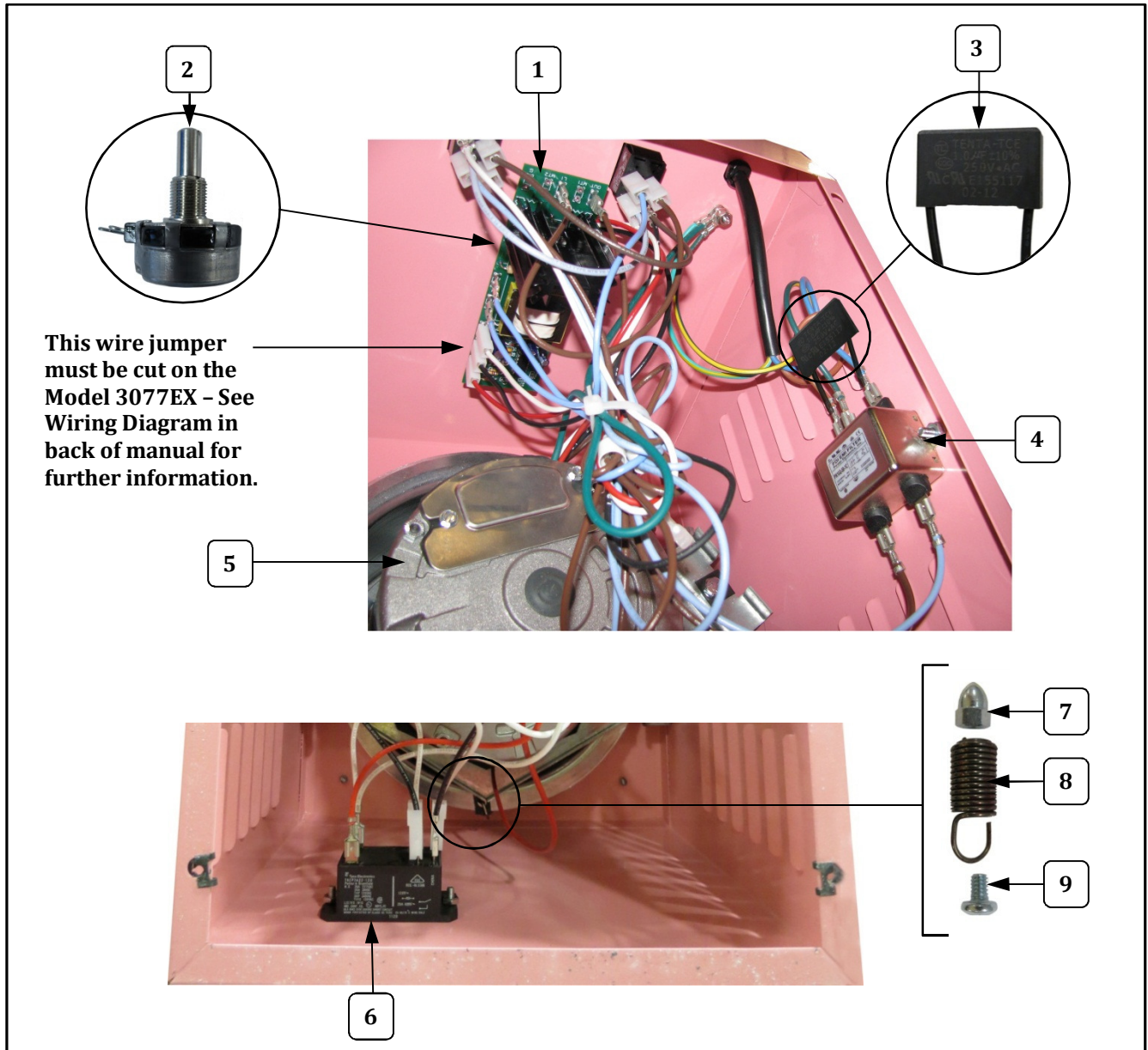
## Cabinet Interior – Model No. 3024EX



Item	Part Description	Qty.	Part No.
			3024EX
1	HEAT CONTROL, FLOSS 240V	1	<a href="#">55260</a>
2	1000 OHM POT ASSY (Knob attaches to it)	1	<a href="#">55332</a>
3	1UF 250VAC CAPACITOR	1	<a href="#">55515</a>
4	FILTER EMI 10 AMP	1	<a href="#">13302</a>
5	MOTOR, FLOSS MACHINE	1	<a href="#">48649EX</a>
6	RELAY, 240 VAC, DPST NO	1	<a href="#">48590EX</a>
7	ACORN NUT 1/4-20	3	<a href="#">49068</a>
8	SPRING, SUSPENSION MEDIUM	3	<a href="#">42524</a>
9	SCREW 1/4-20X3/8 PN HD PH	3	<a href="#">42360</a>



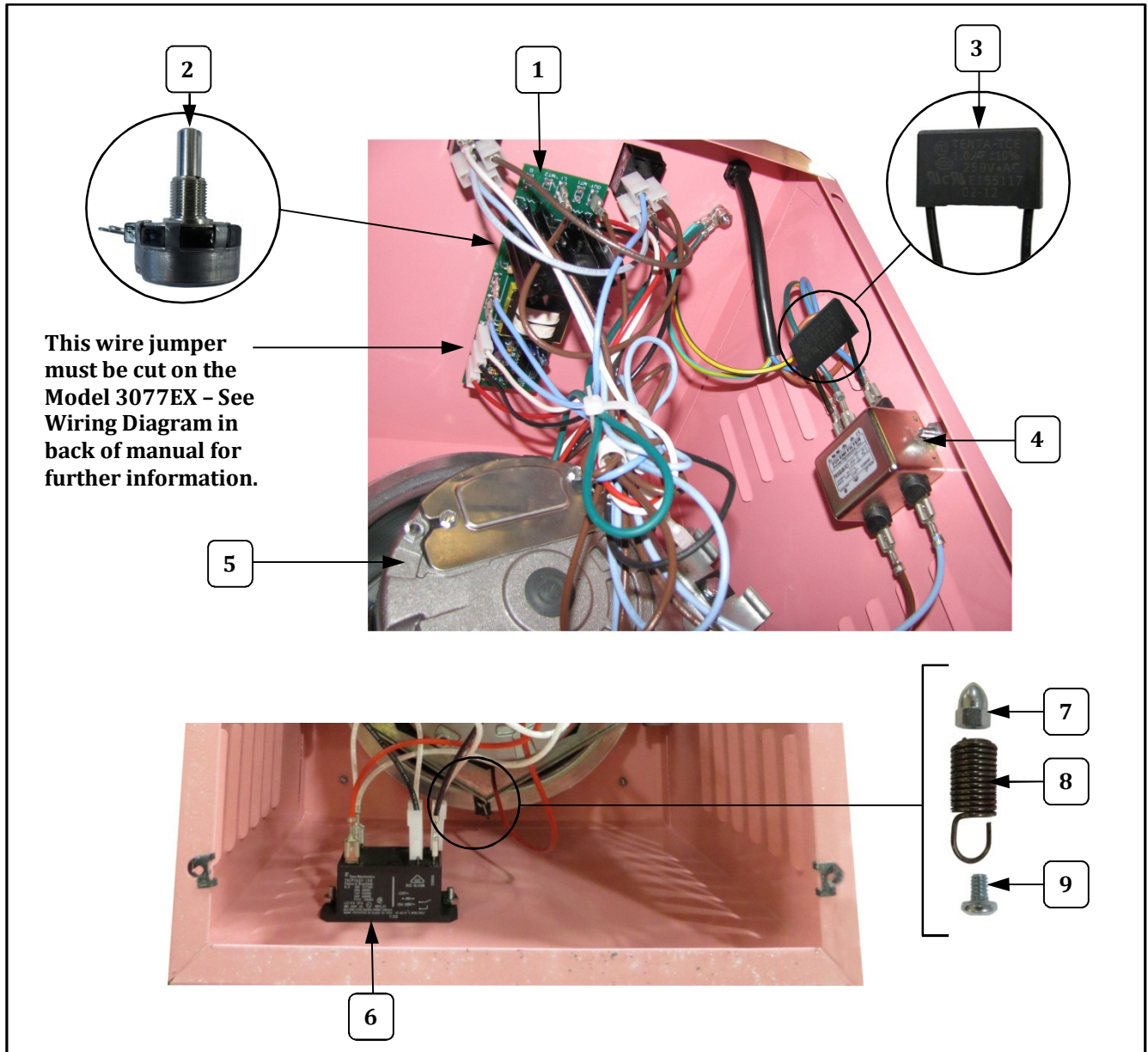
## Cabinet Interior – Model No. 3024EX



Item	Part Description	Qty.	Part No.
			3024EX
1	HEAT CONTROL, FLOSS 240V	1	<a href="#">55260</a>
2	1000 OHM POT ASSY (Knob attaches to it)	1	<a href="#">55332</a>
3	1UF 250VAC CAPACITOR	1	<a href="#">55515</a>
4	FILTER EMI 10 AMP	1	<a href="#">13302</a>
5	MOTOR, FLOSS MACHINE	1	<a href="#">48649EX</a>
6	RELAY, 240 VAC, DPST NO	1	<a href="#">48590EX</a>
7	ACORN NUT 1/4-20	3	<a href="#">49068</a>
8	SPRING, SUSPENSION MEDIUM	3	<a href="#">42524</a>
9	SCREW 1/4-20X3/8 PN HD PH	3	<a href="#">42360</a>



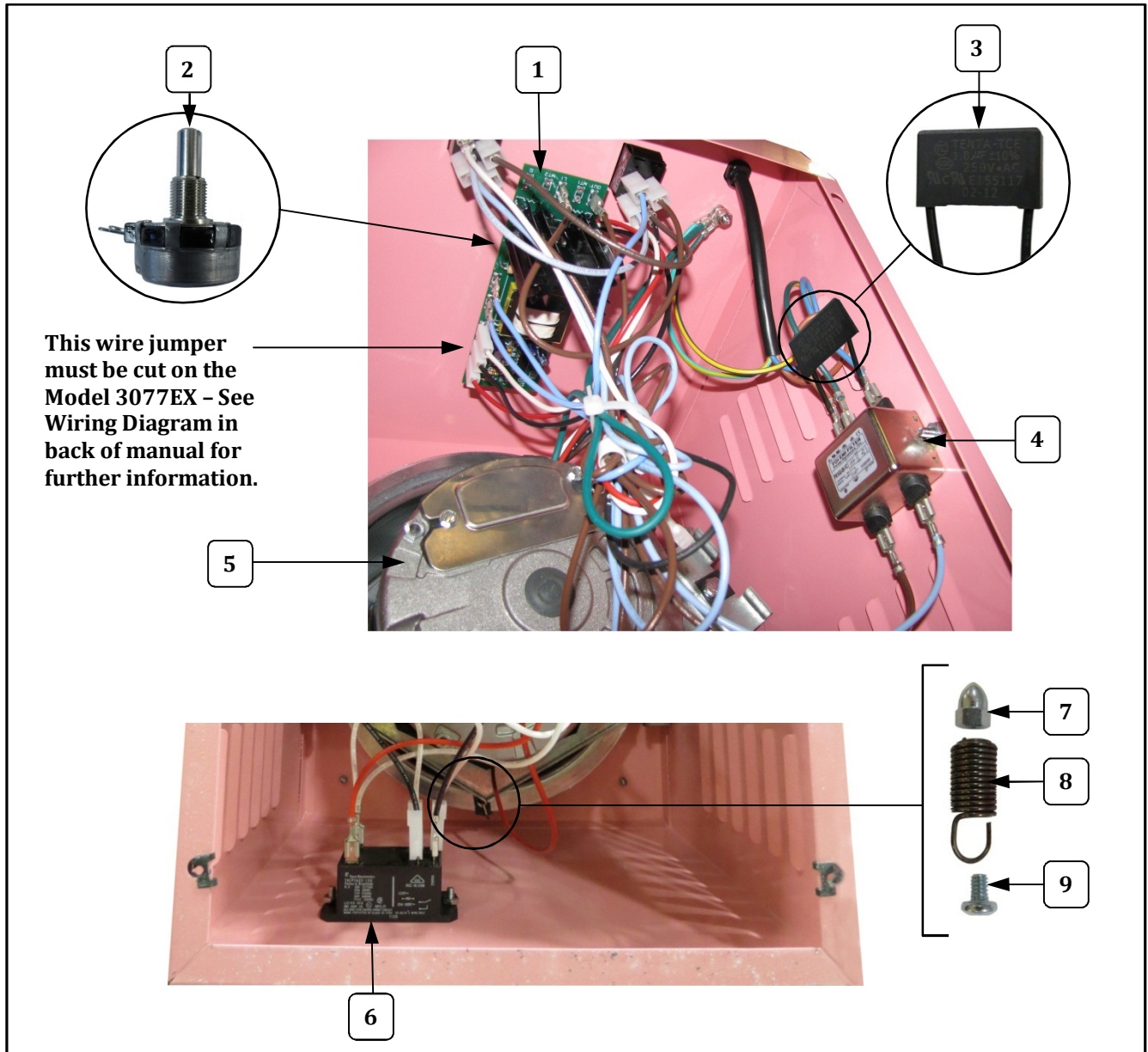
## Cabinet Interior – Model No. 3024EX



Item	Part Description	Qty.	Part No.
			3024EX
1	HEAT CONTROL, FLOSS 240V	1	<a href="#">55260</a>
2	1000 OHM POT ASSY (Knob attaches to it)	1	<a href="#">55332</a>
3	1UF 250VAC CAPACITOR	1	<a href="#">55515</a>
4	FILTER EMI 10 AMP	1	<a href="#">13302</a>
5	MOTOR, FLOSS MACHINE	1	<a href="#">48649EX</a>
6	RELAY, 240 VAC, DPST NO	1	<a href="#">48590EX</a>
7	ACORN NUT 1/4-20	3	<a href="#">49068</a>
8	SPRING, SUSPENSION MEDIUM	3	<a href="#">42524</a>
9	SCREW 1/4-20X3/8 PN HD PH	3	<a href="#">42360</a>



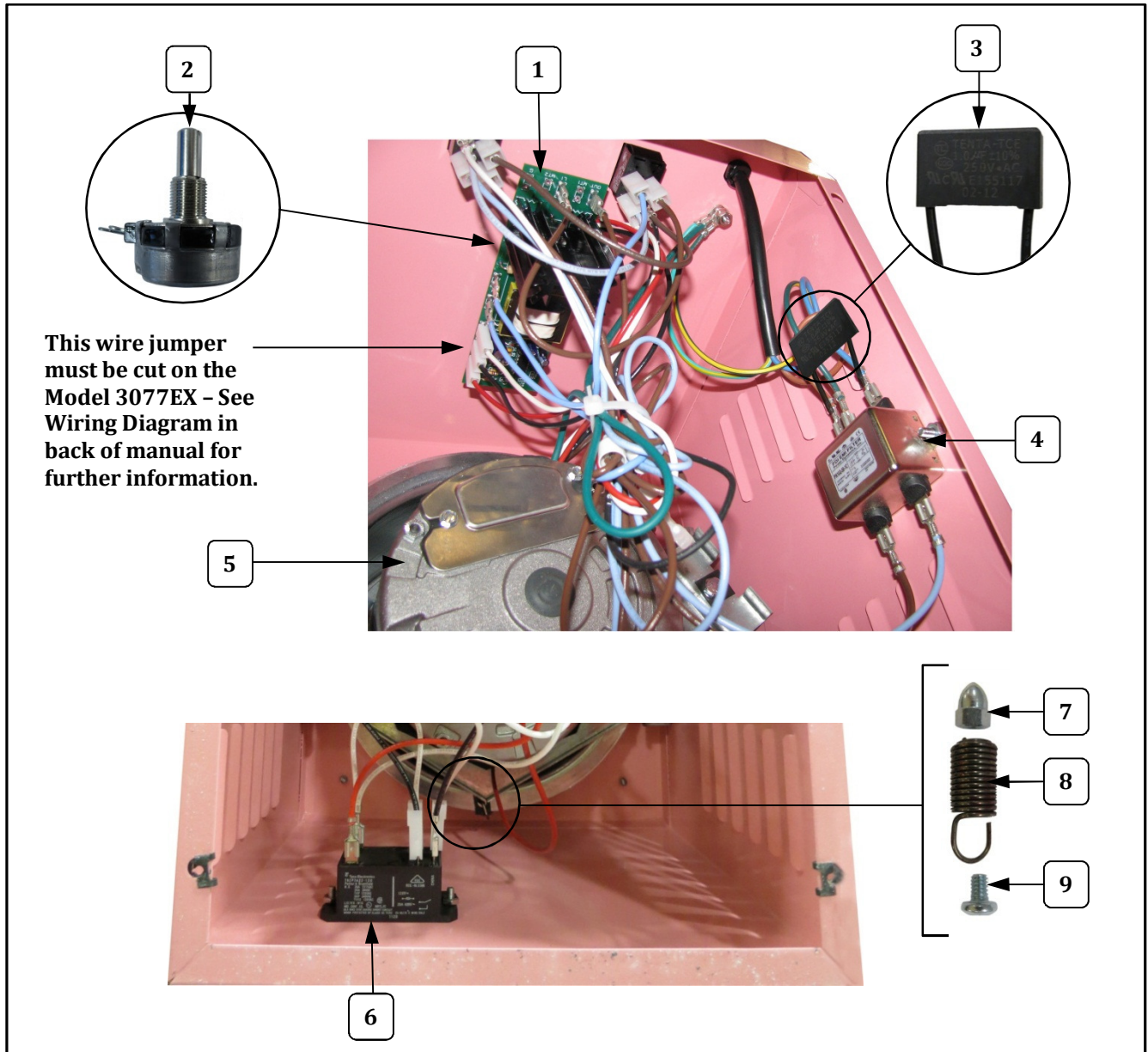
## Cabinet Interior – Model No. 3024EX



Item	Part Description	Qty.	Part No.
			3024EX
1	HEAT CONTROL, FLOSS 240V	1	<a href="#">55260</a>
2	1000 OHM POT ASSY (Knob attaches to it)	1	<a href="#">55332</a>
3	1UF 250VAC CAPACITOR	1	<a href="#">55515</a>
4	FILTER EMI 10 AMP	1	<a href="#">13302</a>
5	MOTOR, FLOSS MACHINE	1	<a href="#">48649EX</a>
6	RELAY, 240 VAC, DPST NO	1	<a href="#">48590EX</a>
7	ACORN NUT 1/4-20	3	<a href="#">49068</a>
8	SPRING, SUSPENSION MEDIUM	3	<a href="#">42524</a>
9	SCREW 1/4-20X3/8 PN HD PH	3	<a href="#">42360</a>



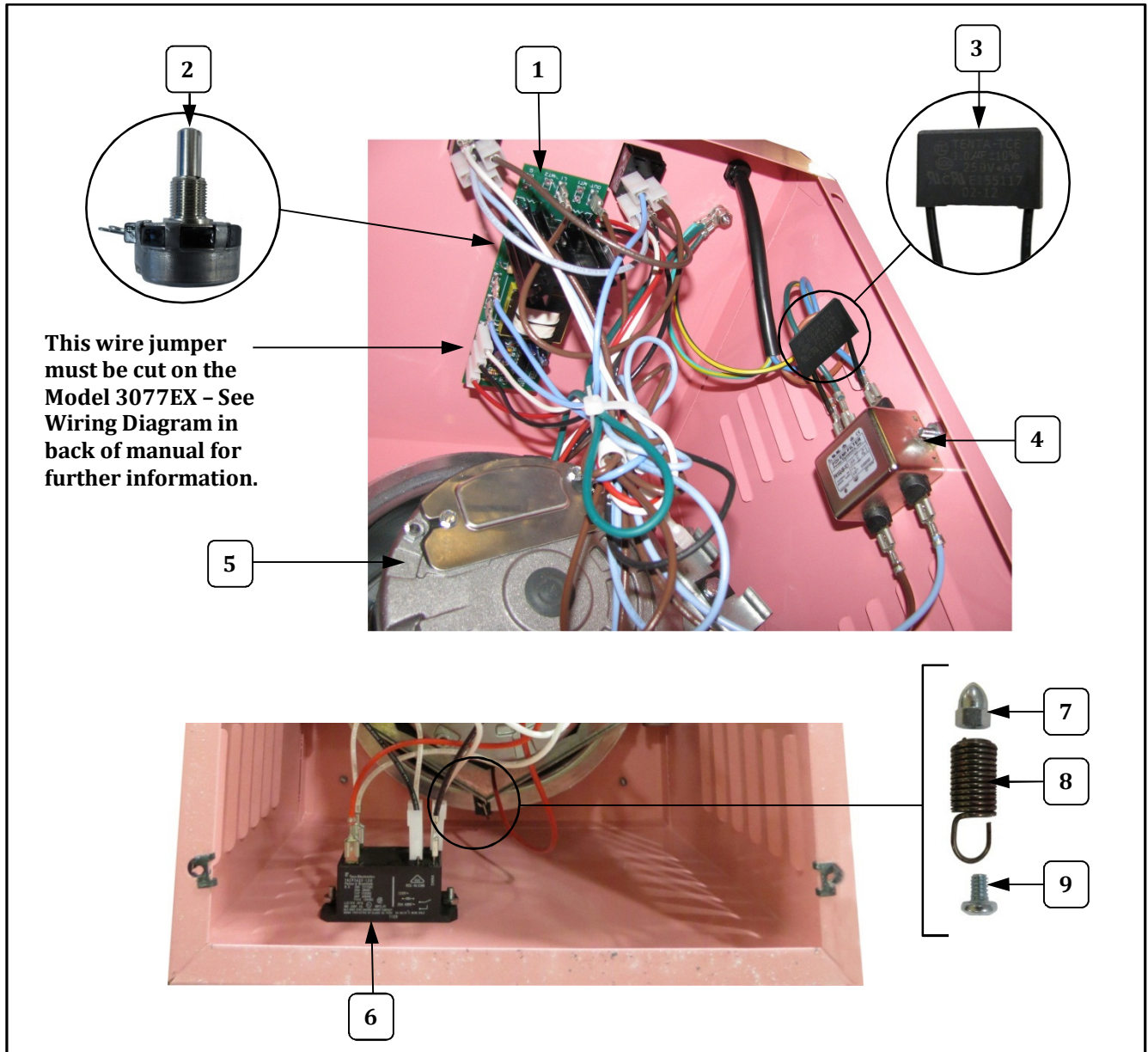
## Cabinet Interior – Model No. 3024EX



Item	Part Description	Qty.	Part No.
			3024EX
1	HEAT CONTROL, FLOSS 240V	1	<a href="#">55260</a>
2	1000 OHM POT ASSY (Knob attaches to it)	1	<a href="#">55332</a>
3	1UF 250VAC CAPACITOR	1	<a href="#">55515</a>
4	FILTER EMI 10 AMP	1	<a href="#">13302</a>
5	MOTOR, FLOSS MACHINE	1	<a href="#">48649EX</a>
6	RELAY, 240 VAC, DPST NO	1	<a href="#">48590EX</a>
7	ACORN NUT 1/4-20	3	<a href="#">49068</a>
8	SPRING, SUSPENSION MEDIUM	3	<a href="#">42524</a>
9	SCREW 1/4-20X3/8 PN HD PH	3	<a href="#">42360</a>



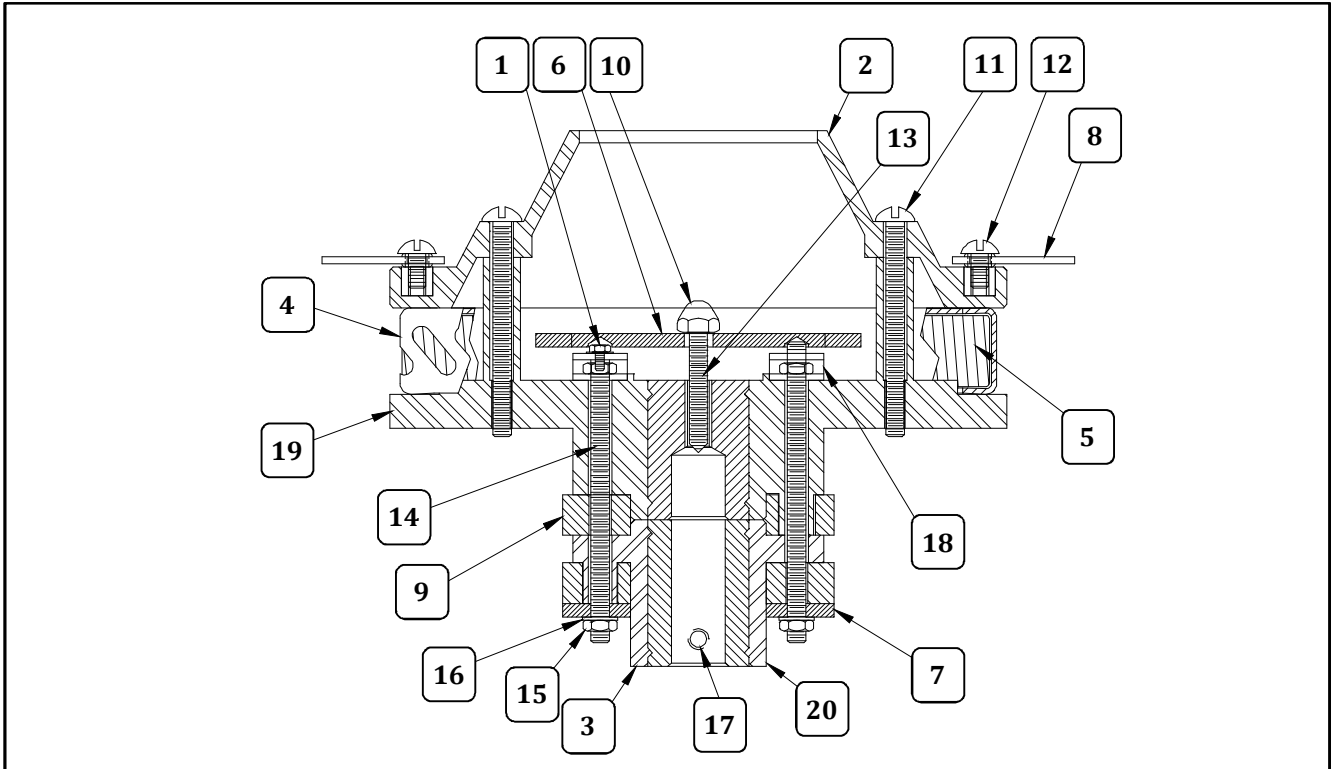
## Cabinet Interior – Model No. 3024EX



Item	Part Description	Qty.	Part No.
			3024EX
1	HEAT CONTROL, FLOSS 240V	1	<a href="#">55260</a>
2	1000 OHM POT ASSY (Knob attaches to it)	1	<a href="#">55332</a>
3	1UF 250VAC CAPACITOR	1	<a href="#">55515</a>
4	FILTER EMI 10 AMP	1	<a href="#">13302</a>
5	MOTOR, FLOSS MACHINE	1	<a href="#">48649EX</a>
6	RELAY, 240 VAC, DPST NO	1	<a href="#">48590EX</a>
7	ACORN NUT 1/4-20	3	<a href="#">49068</a>
8	SPRING, SUSPENSION MEDIUM	3	<a href="#">42524</a>
9	SCREW 1/4-20X3/8 PN HD PH	3	<a href="#">42360</a>



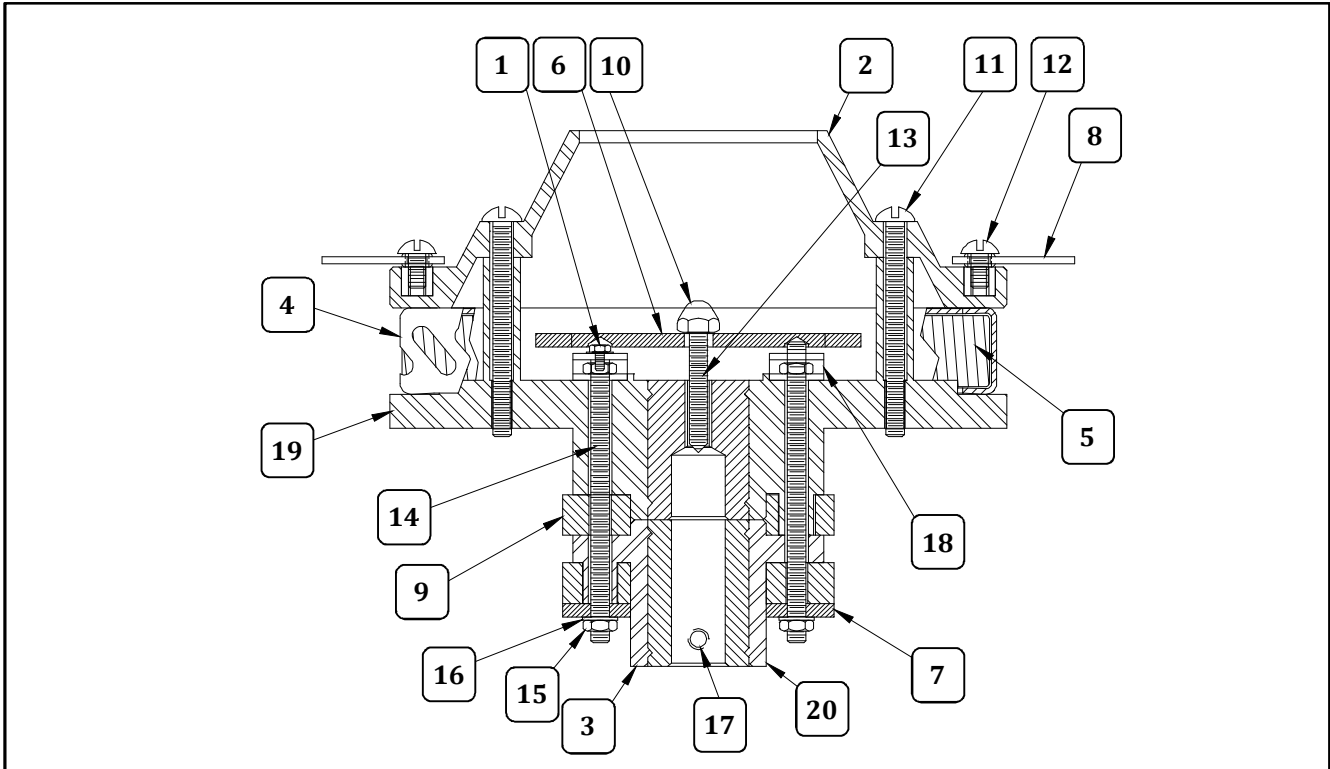
# Floss Machine Head Assembly



Item	Part Description	Qty.	Part Number	
			3024	3024EX
	SPINNER HEAD COMPLETE	1	42283	42283EX
1	8-32 x 1/4 HX HD WHIZLOCK	2	42045	42045
2	HIGH CAPACITY SPINNER CAP	1	43166	43166
3	SPINNER HEAD BOTTOM ONLY	1	42284	42284
4	5 1/2" FLOSS BAND	1	43165	43165
5	5 IN RIBBON ASSY 11 OHMS	1	42251	
	5 IN RIBBON ASSY 130V	1		42370
6	PHENOLIC TERMINAL GUARD	1	42162	42162
7	BOTTOM PHENOLIC WASHER	1	20054	20054
8	LEATHER FLOATER	2	20010	20010
9	SLIP RING 3/8 IN	2	42126	42126
10	ACORN NUT NYLON 1/4-20	1	48041	48041
11	10-24 X 2 PHIL PAN M/S	4	42041	42041
12	SCREW 8-32X5/8 PH PAN MS	2	42192	42192
13	SET SCREW 1/4-20 X 2	1	42311	42311
14	SLIP RING STUDS	2	42127	42127
15	HEX NUT 10-32 ZINC PLATED	2	74143	74143
16	#10 INTERNAL TOOTH WASHER	2	12573	12573
17	SET SCREW 1/4-20 X 3/8	1	74125	74125
18	TERMINAL ASSEMBLY	2	42305	42305
19	UPPER SPINNER HEAD	1	42437	42437
20	LOWER SPINNER HEAD 1/2	1	42281	42281



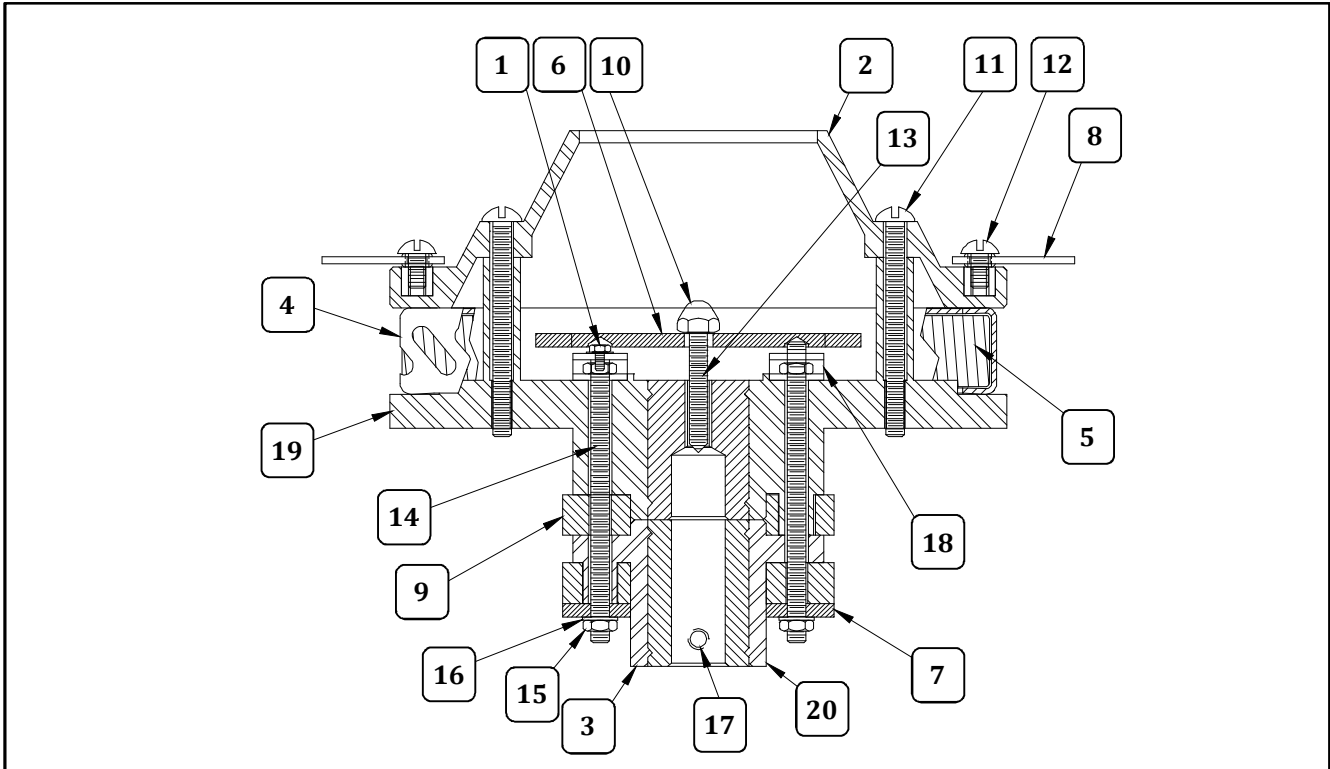
## Floss Machine Head Assembly



Item	Part Description	Qty.	Part Number	
			3024	3024EX
	SPINNER HEAD COMPLETE	1	42283	42283EX
1	8-32 x 1/4 HX HD WHIZLOCK	2	42045	42045
2	HIGH CAPACITY SPINNER CAP	1	43166	43166
3	SPINNER HEAD BOTTOM ONLY	1	42284	42284
4	5 1/2" FLOSS BAND	1	43165	43165
5	5 IN RIBBON ASSY 11 OHMS	1	42251	
	5 IN RIBBON ASSY 130V	1		42370
6	PHENOLIC TERMINAL GUARD	1	42162	42162
7	BOTTOM PHENOLIC WASHER	1	20054	20054
8	LEATHER FLOATER	2	20010	20010
9	SLIP RING 3/8 IN	2	42126	42126
10	ACORN NUT NYLON 1/4-20	1	48041	48041
11	10-24 X 2 PHIL PAN M/S	4	42041	42041
12	SCREW 8-32X5/8 PH PAN MS	2	42192	42192
13	SET SCREW 1/4-20 X 2	1	42311	42311
14	SLIP RING STUDS	2	42127	42127
15	HEX NUT 10-32 ZINC PLATED	2	74143	74143
16	#10 INTERNAL TOOTH WASHER	2	12573	12573
17	SET SCREW 1/4-20 X 3/8	1	74125	74125
18	TERMINAL ASSEMBLY	2	42305	42305
19	UPPER SPINNER HEAD	1	42437	42437
20	LOWER SPINNER HEAD 1/2	1	42281	42281



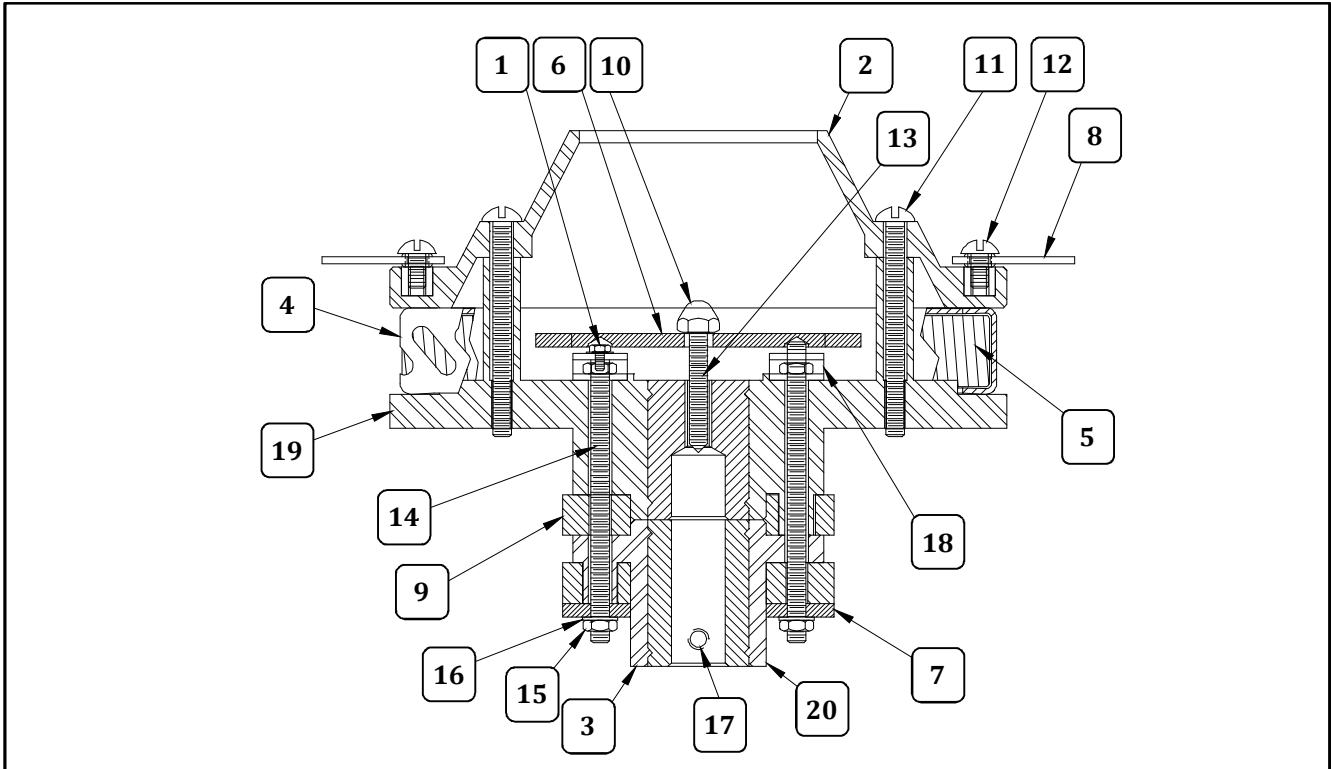
# Floss Machine Head Assembly



Item	Part Description	Qty.	Part Number	
			3024	3024EX
	SPINNER HEAD COMPLETE	1	42283	42283EX
1	8-32 x 1/4 HX HD WHIZLOCK	2	42045	42045
2	HIGH CAPACITY SPINNER CAP	1	43166	43166
3	SPINNER HEAD BOTTOM ONLY	1	42284	42284
4	5 1/2" FLOSS BAND	1	43165	43165
5	5 IN RIBBON ASSY 11 OHMS	1	42251	
	5 IN RIBBON ASSY 130V	1		42370
6	PHENOLIC TERMINAL GUARD	1	42162	42162
7	BOTTOM PHENOLIC WASHER	1	20054	20054
8	LEATHER FLOATER	2	20010	20010
9	SLIP RING 3/8 IN	2	42126	42126
10	ACORN NUT NYLON 1/4-20	1	48041	48041
11	10-24 X 2 PHIL PAN M/S	4	42041	42041
12	SCREW 8-32X5/8 PH PAN MS	2	42192	42192
13	SET SCREW 1/4-20 X 2	1	42311	42311
14	SLIP RING STUDS	2	42127	42127
15	HEX NUT 10-32 ZINC PLATED	2	74143	74143
16	#10 INTERNAL TOOTH WASHER	2	12573	12573
17	SET SCREW 1/4-20 X 3/8	1	74125	74125
18	TERMINAL ASSEMBLY	2	42305	42305
19	UPPER SPINNER HEAD	1	42437	42437
20	LOWER SPINNER HEAD 1/2	1	42281	42281



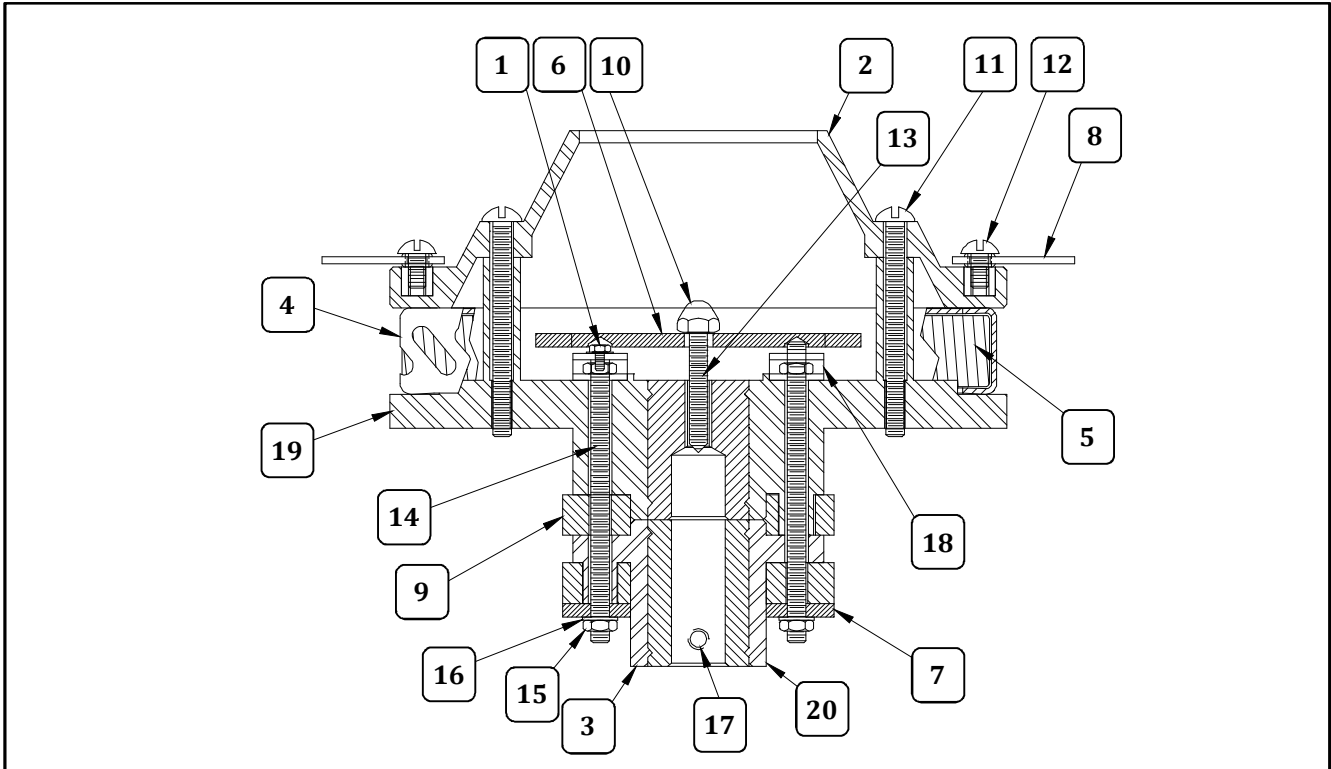
# Floss Machine Head Assembly



Item	Part Description	Qty.	Part Number	
			3024	3024EX
	SPINNER HEAD COMPLETE	1	42283	42283EX
1	8-32 x 1/4 HX HD WHIZLOCK	2	42045	42045
2	HIGH CAPACITY SPINNER CAP	1	43166	43166
3	SPINNER HEAD BOTTOM ONLY	1	42284	42284
4	5 1/2" FLOSS BAND	1	43165	43165
5	5 IN RIBBON ASSY 11 OHMS	1	42251	
	5 IN RIBBON ASSY 130V	1		42370
6	PHENOLIC TERMINAL GUARD	1	42162	42162
7	BOTTOM PHENOLIC WASHER	1	20054	20054
8	LEATHER FLOATER	2	20010	20010
9	SLIP RING 3/8 IN	2	42126	42126
10	ACORN NUT NYLON 1/4-20	1	48041	48041
11	10-24 X 2 PHIL PAN M/S	4	42041	42041
12	SCREW 8-32X5/8 PH PAN MS	2	42192	42192
13	SET SCREW 1/4-20 X 2	1	42311	42311
14	SLIP RING STUDS	2	42127	42127
15	HEX NUT 10-32 ZINC PLATED	2	74143	74143
16	#10 INTERNAL TOOTH WASHER	2	12573	12573
17	SET SCREW 1/4-20 X 3/8	1	74125	74125
18	TERMINAL ASSEMBLY	2	42305	42305
19	UPPER SPINNER HEAD	1	42437	42437
20	LOWER SPINNER HEAD 1/2	1	42281	42281



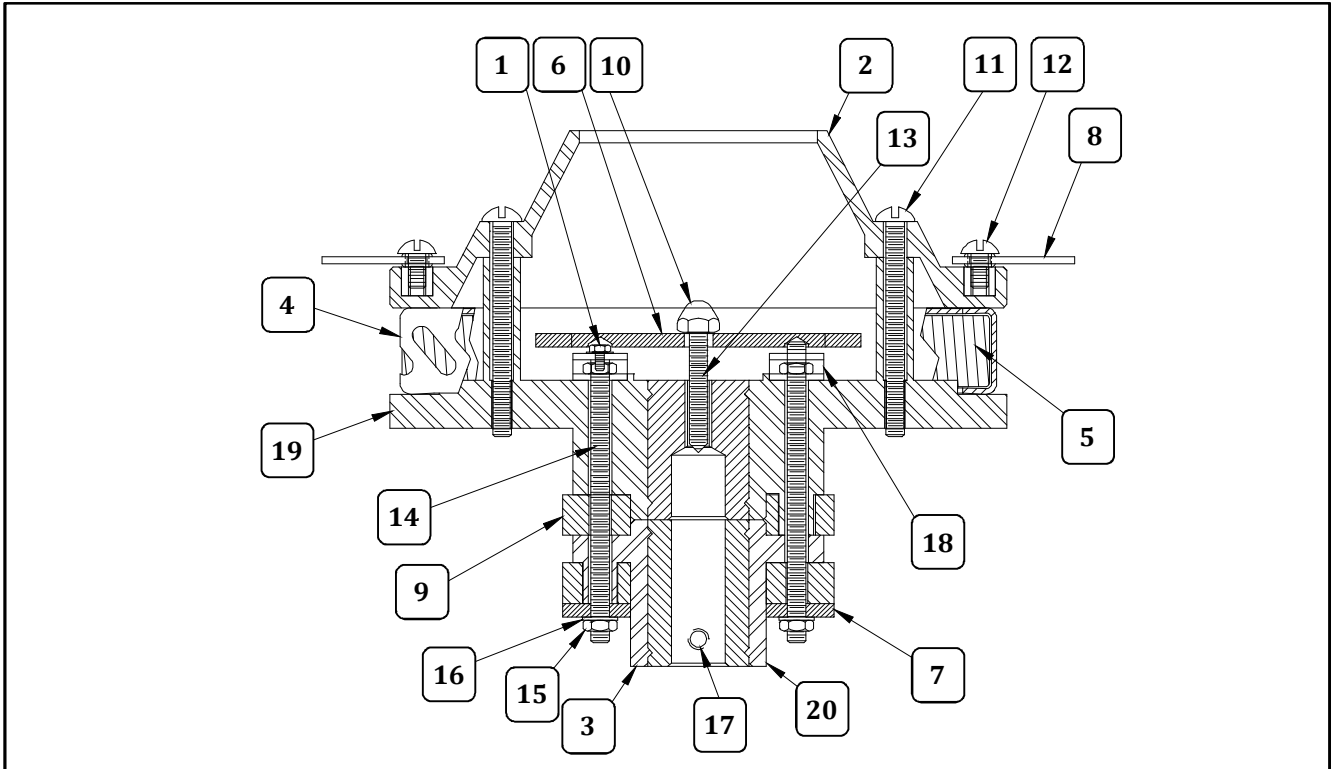
# Floss Machine Head Assembly



Item	Part Description	Qty.	Part Number	
			3024	3024EX
	SPINNER HEAD COMPLETE	1	42283	42283EX
1	8-32 x 1/4 HX HD WHIZLOCK	2	42045	42045
2	HIGH CAPACITY SPINNER CAP	1	43166	43166
3	SPINNER HEAD BOTTOM ONLY	1	42284	42284
4	5 1/2" FLOSS BAND	1	43165	43165
5	5 IN RIBBON ASSY 11 OHMS	1	42251	
	5 IN RIBBON ASSY 130V	1		42370
6	PHENOLIC TERMINAL GUARD	1	42162	42162
7	BOTTOM PHENOLIC WASHER	1	20054	20054
8	LEATHER FLOATER	2	20010	20010
9	SLIP RING 3/8 IN	2	42126	42126
10	ACORN NUT NYLON 1/4-20	1	48041	48041
11	10-24 X 2 PHIL PAN M/S	4	42041	42041
12	SCREW 8-32X5/8 PH PAN MS	2	42192	42192
13	SET SCREW 1/4-20 X 2	1	42311	42311
14	SLIP RING STUDS	2	42127	42127
15	HEX NUT 10-32 ZINC PLATED	2	74143	74143
16	#10 INTERNAL TOOTH WASHER	2	12573	12573
17	SET SCREW 1/4-20 X 3/8	1	74125	74125
18	TERMINAL ASSEMBLY	2	42305	42305
19	UPPER SPINNER HEAD	1	42437	42437
20	LOWER SPINNER HEAD 1/2	1	42281	42281



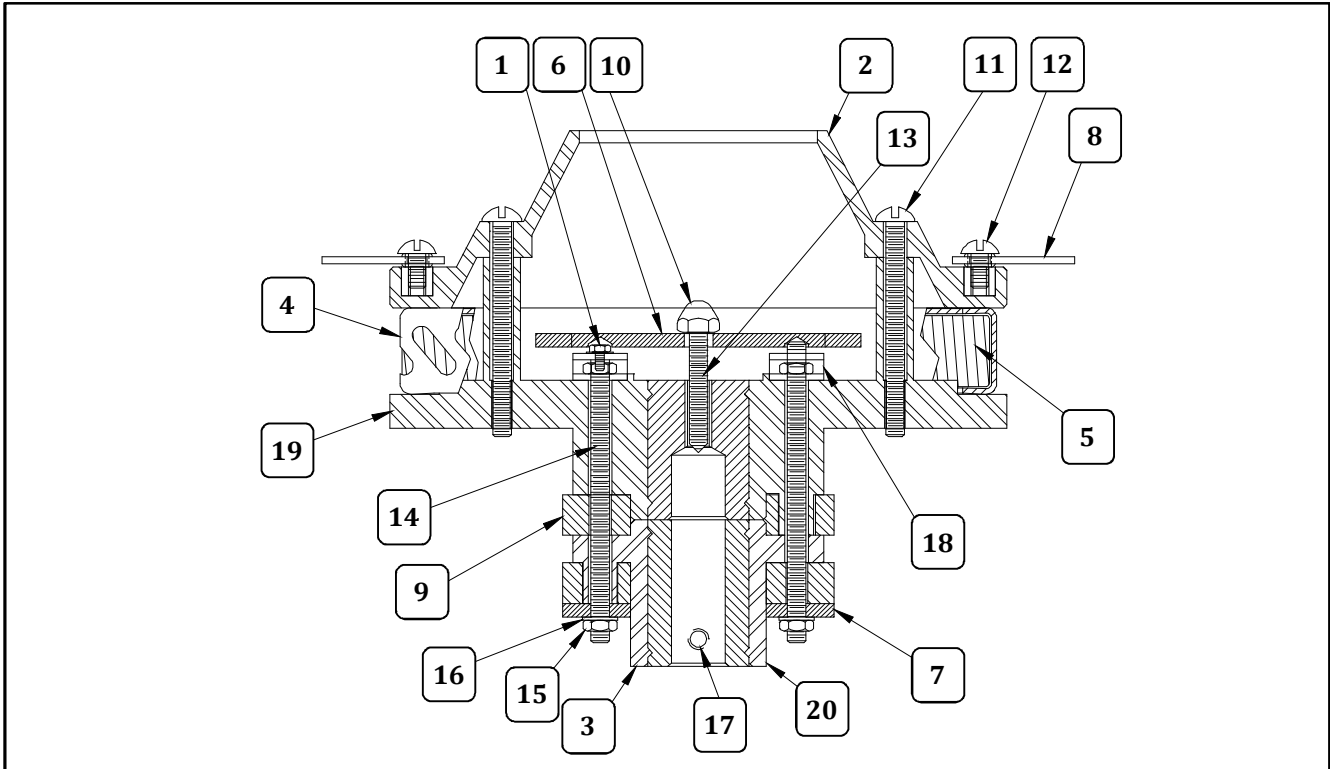
# Floss Machine Head Assembly



Item	Part Description	Qty.	Part Number	
			3024	3024EX
	SPINNER HEAD COMPLETE	1	42283	42283EX
1	8-32 x 1/4 HX HD WHIZLOCK	2	42045	42045
2	HIGH CAPACITY SPINNER CAP	1	43166	43166
3	SPINNER HEAD BOTTOM ONLY	1	42284	42284
4	5 1/2" FLOSS BAND	1	43165	43165
5	5 IN RIBBON ASSY 11 OHMS	1	42251	
	5 IN RIBBON ASSY 130V	1		42370
6	PHENOLIC TERMINAL GUARD	1	42162	42162
7	BOTTOM PHENOLIC WASHER	1	20054	20054
8	LEATHER FLOATER	2	20010	20010
9	SLIP RING 3/8 IN	2	42126	42126
10	ACORN NUT NYLON 1/4-20	1	48041	48041
11	10-24 X 2 PHIL PAN M/S	4	42041	42041
12	SCREW 8-32X5/8 PH PAN MS	2	42192	42192
13	SET SCREW 1/4-20 X 2	1	42311	42311
14	SLIP RING STUDS	2	42127	42127
15	HEX NUT 10-32 ZINC PLATED	2	74143	74143
16	#10 INTERNAL TOOTH WASHER	2	12573	12573
17	SET SCREW 1/4-20 X 3/8	1	74125	74125
18	TERMINAL ASSEMBLY	2	42305	42305
19	UPPER SPINNER HEAD	1	42437	42437
20	LOWER SPINNER HEAD 1/2	1	42281	42281



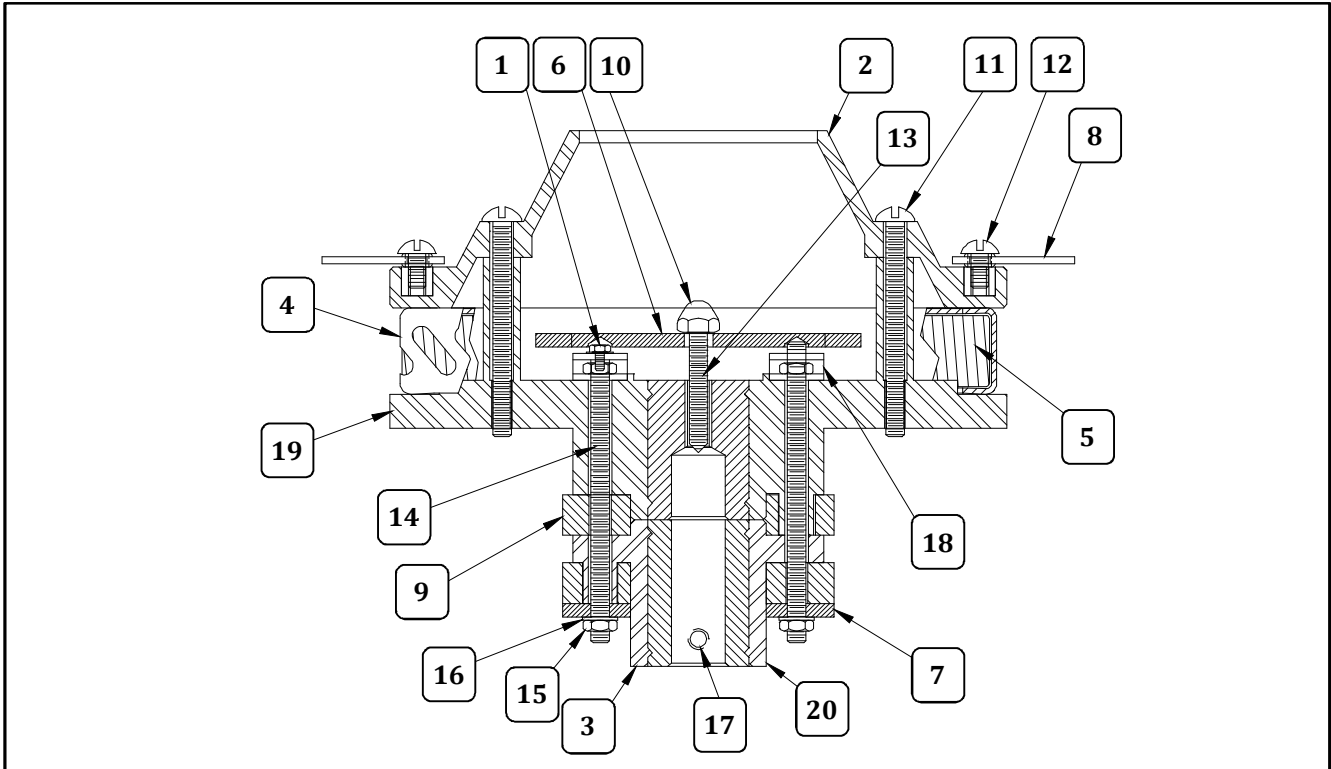
# Floss Machine Head Assembly



Item	Part Description	Qty.	Part Number	
			3024	3024EX
	SPINNER HEAD COMPLETE	1	42283	42283EX
1	8-32 x 1/4 HX HD WHIZLOCK	2	42045	42045
2	HIGH CAPACITY SPINNER CAP	1	43166	43166
3	SPINNER HEAD BOTTOM ONLY	1	42284	42284
4	5 1/2" FLOSS BAND	1	43165	43165
5	5 IN RIBBON ASSY 11 OHMS	1	42251	
	5 IN RIBBON ASSY 130V	1		42370
6	PHENOLIC TERMINAL GUARD	1	42162	42162
7	BOTTOM PHENOLIC WASHER	1	20054	20054
8	LEATHER FLOATER	2	20010	20010
9	SLIP RING 3/8 IN	2	42126	42126
10	ACORN NUT NYLON 1/4-20	1	48041	48041
11	10-24 X 2 PHIL PAN M/S	4	42041	42041
12	SCREW 8-32X5/8 PH PAN MS	2	42192	42192
13	SET SCREW 1/4-20 X 2	1	42311	42311
14	SLIP RING STUDS	2	42127	42127
15	HEX NUT 10-32 ZINC PLATED	2	74143	74143
16	#10 INTERNAL TOOTH WASHER	2	12573	12573
17	SET SCREW 1/4-20 X 3/8	1	74125	74125
18	TERMINAL ASSEMBLY	2	42305	42305
19	UPPER SPINNER HEAD	1	42437	42437
20	LOWER SPINNER HEAD 1/2	1	42281	42281



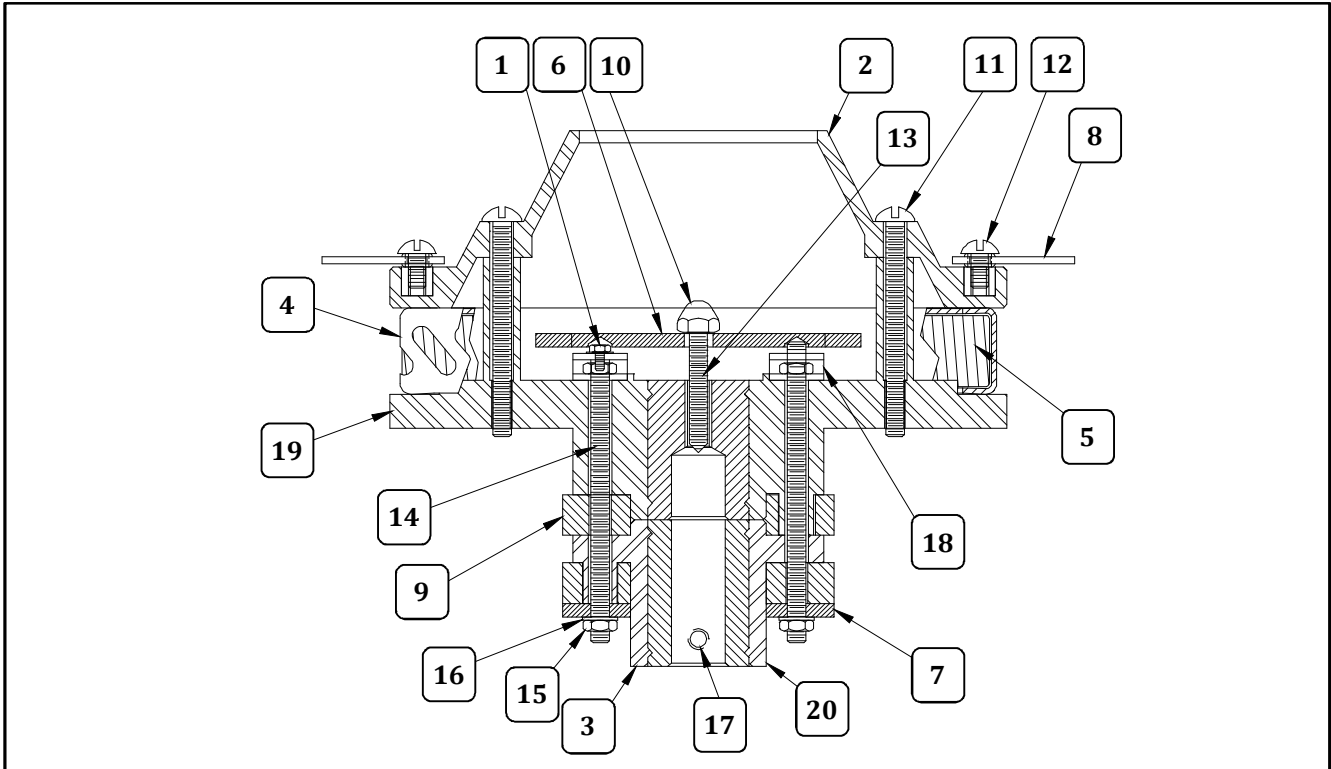
# Floss Machine Head Assembly



Item	Part Description	Qty.	Part Number	
			3024	3024EX
	SPINNER HEAD COMPLETE	1	42283	42283EX
1	8-32 x 1/4 HX HD WHIZLOCK	2	42045	42045
2	HIGH CAPACITY SPINNER CAP	1	43166	43166
3	SPINNER HEAD BOTTOM ONLY	1	42284	42284
4	5 1/2" FLOSS BAND	1	43165	43165
5	5 IN RIBBON ASSY 11 OHMS	1	42251	
	5 IN RIBBON ASSY 130V	1		42370
6	PHENOLIC TERMINAL GUARD	1	42162	42162
7	BOTTOM PHENOLIC WASHER	1	20054	20054
8	LEATHER FLOATER	2	20010	20010
9	SLIP RING 3/8 IN	2	42126	42126
10	ACORN NUT NYLON 1/4-20	1	48041	48041
11	10-24 X 2 PHIL PAN M/S	4	42041	42041
12	SCREW 8-32X5/8 PH PAN MS	2	42192	42192
13	SET SCREW 1/4-20 X 2	1	42311	42311
14	SLIP RING STUDS	2	42127	42127
15	HEX NUT 10-32 ZINC PLATED	2	74143	74143
16	#10 INTERNAL TOOTH WASHER	2	12573	12573
17	SET SCREW 1/4-20 X 3/8	1	74125	74125
18	TERMINAL ASSEMBLY	2	42305	42305
19	UPPER SPINNER HEAD	1	42437	42437
20	LOWER SPINNER HEAD 1/2	1	42281	42281



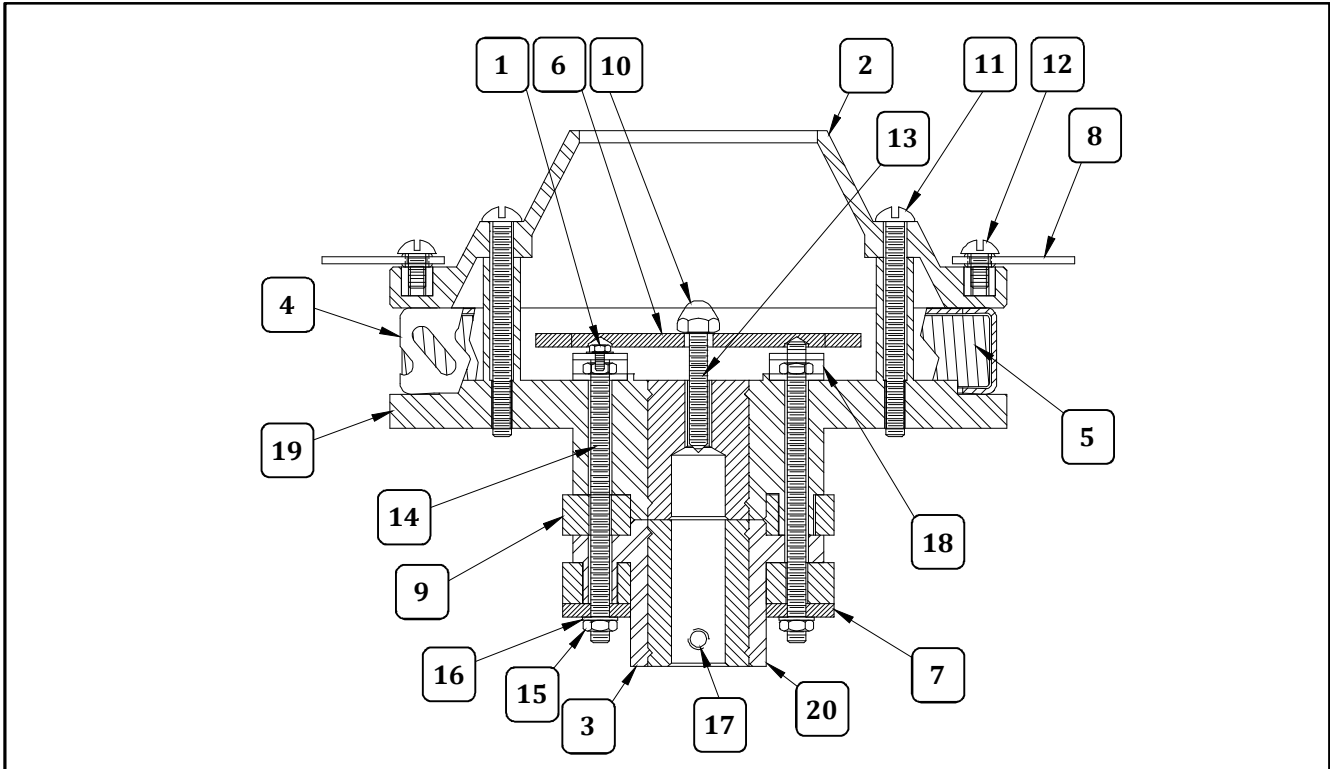
## Floss Machine Head Assembly



Item	Part Description	Qty.	Part Number	
			3024	3024EX
	SPINNER HEAD COMPLETE	1	42283	42283EX
1	8-32 x 1/4 HX HD WHIZLOCK	2	42045	42045
2	HIGH CAPACITY SPINNER CAP	1	43166	43166
3	SPINNER HEAD BOTTOM ONLY	1	42284	42284
4	5 1/2" FLOSS BAND	1	43165	43165
5	5 IN RIBBON ASSY 11 OHMS	1	42251	
	5 IN RIBBON ASSY 130V	1		42370
6	PHENOLIC TERMINAL GUARD	1	42162	42162
7	BOTTOM PHENOLIC WASHER	1	20054	20054
8	LEATHER FLOATER	2	20010	20010
9	SLIP RING 3/8 IN	2	42126	42126
10	ACORN NUT NYLON 1/4-20	1	48041	48041
11	10-24 X 2 PHIL PAN M/S	4	42041	42041
12	SCREW 8-32X5/8 PH PAN MS	2	42192	42192
13	SET SCREW 1/4-20 X 2	1	42311	42311
14	SLIP RING STUDS	2	42127	42127
15	HEX NUT 10-32 ZINC PLATED	2	74143	74143
16	#10 INTERNAL TOOTH WASHER	2	12573	12573
17	SET SCREW 1/4-20 X 3/8	1	74125	74125
18	TERMINAL ASSEMBLY	2	42305	42305
19	UPPER SPINNER HEAD	1	42437	42437
20	LOWER SPINNER HEAD 1/2	1	42281	42281



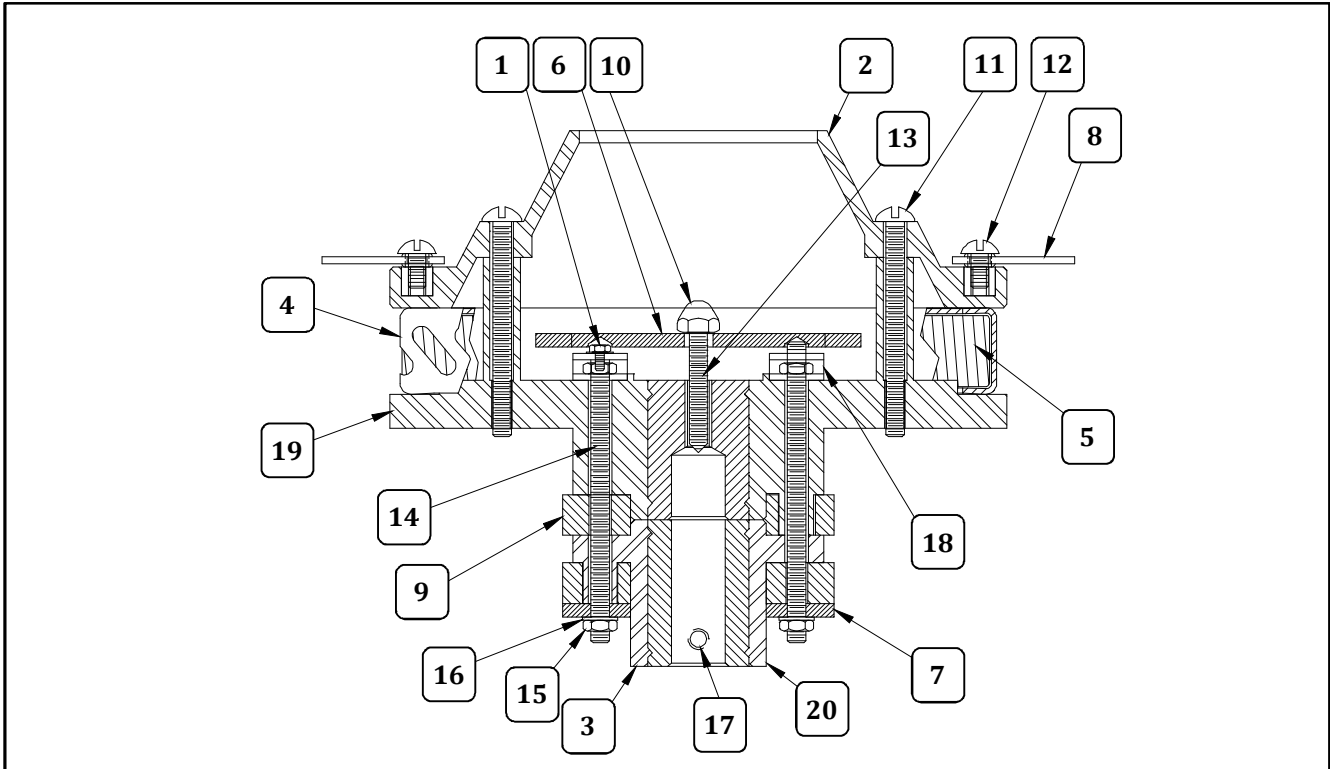
# Floss Machine Head Assembly



Item	Part Description	Qty.	Part Number	
			3024	3024EX
	SPINNER HEAD COMPLETE	1	42283	42283EX
1	8-32 x 1/4 HX HD WHIZLOCK	2	42045	42045
2	HIGH CAPACITY SPINNER CAP	1	43166	43166
3	SPINNER HEAD BOTTOM ONLY	1	42284	42284
4	5 1/2" FLOSS BAND	1	43165	43165
5	5 IN RIBBON ASSY 11 OHMS	1	42251	
	5 IN RIBBON ASSY 130V	1		42370
6	PHENOLIC TERMINAL GUARD	1	42162	42162
7	BOTTOM PHENOLIC WASHER	1	20054	20054
8	LEATHER FLOATER	2	20010	20010
9	SLIP RING 3/8 IN	2	42126	42126
10	ACORN NUT NYLON 1/4-20	1	48041	48041
11	10-24 X 2 PHIL PAN M/S	4	42041	42041
12	SCREW 8-32X5/8 PH PAN MS	2	42192	42192
13	SET SCREW 1/4-20 X 2	1	42311	42311
14	SLIP RING STUDS	2	42127	42127
15	HEX NUT 10-32 ZINC PLATED	2	74143	74143
16	#10 INTERNAL TOOTH WASHER	2	12573	12573
17	SET SCREW 1/4-20 X 3/8	1	74125	74125
18	TERMINAL ASSEMBLY	2	42305	42305
19	UPPER SPINNER HEAD	1	42437	42437
20	LOWER SPINNER HEAD 1/2	1	42281	42281



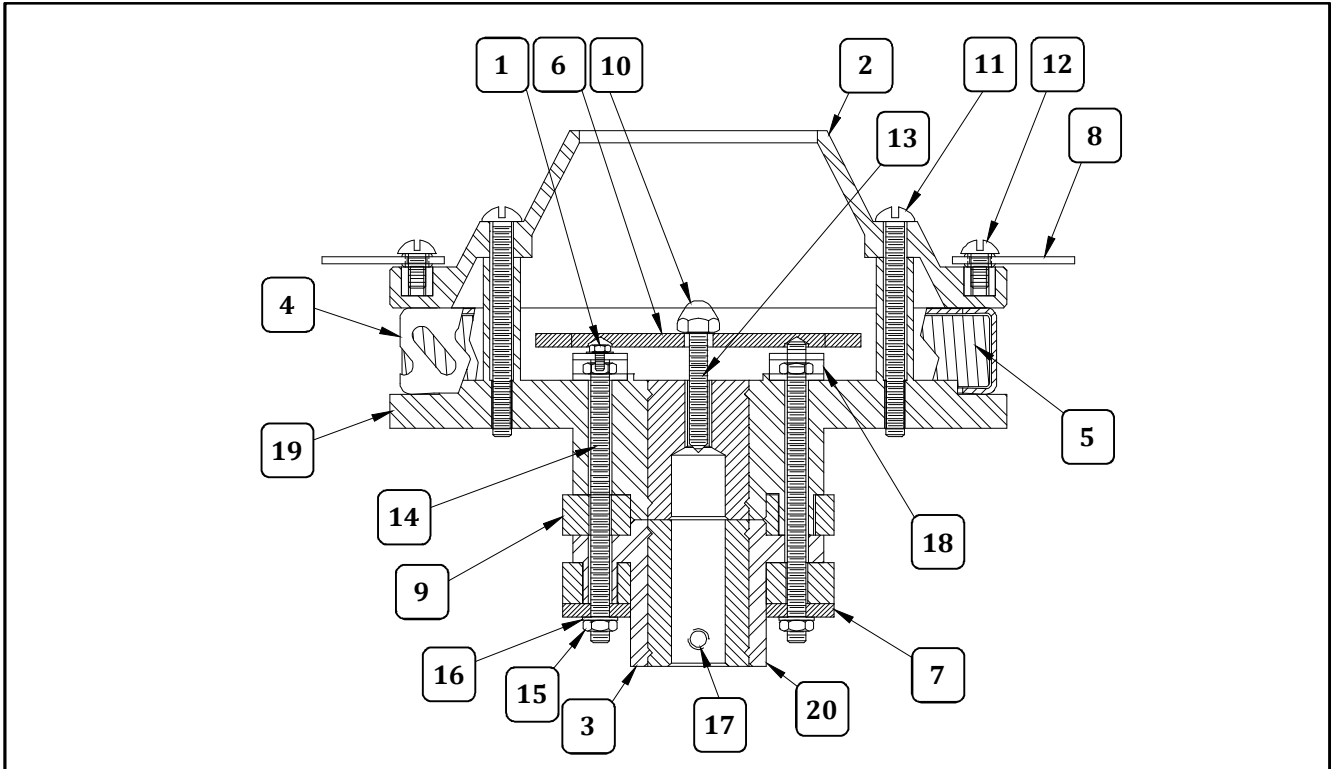
# Floss Machine Head Assembly



Item	Part Description	Qty.	Part Number	
			3024	3024EX
	SPINNER HEAD COMPLETE	1	42283	42283EX
1	8-32 x 1/4 HX HD WHIZLOCK	2	42045	42045
2	HIGH CAPACITY SPINNER CAP	1	43166	43166
3	SPINNER HEAD BOTTOM ONLY	1	42284	42284
4	5 1/2" FLOSS BAND	1	43165	43165
5	5 IN RIBBON ASSY 11 OHMS	1	42251	
	5 IN RIBBON ASSY 130V	1		42370
6	PHENOLIC TERMINAL GUARD	1	42162	42162
7	BOTTOM PHENOLIC WASHER	1	20054	20054
8	LEATHER FLOATER	2	20010	20010
9	SLIP RING 3/8 IN	2	42126	42126
10	ACORN NUT NYLON 1/4-20	1	48041	48041
11	10-24 X 2 PHIL PAN M/S	4	42041	42041
12	SCREW 8-32X5/8 PH PAN MS	2	42192	42192
13	SET SCREW 1/4-20 X 2	1	42311	42311
14	SLIP RING STUDS	2	42127	42127
15	HEX NUT 10-32 ZINC PLATED	2	74143	74143
16	#10 INTERNAL TOOTH WASHER	2	12573	12573
17	SET SCREW 1/4-20 X 3/8	1	74125	74125
18	TERMINAL ASSEMBLY	2	42305	42305
19	UPPER SPINNER HEAD	1	42437	42437
20	LOWER SPINNER HEAD 1/2	1	42281	42281



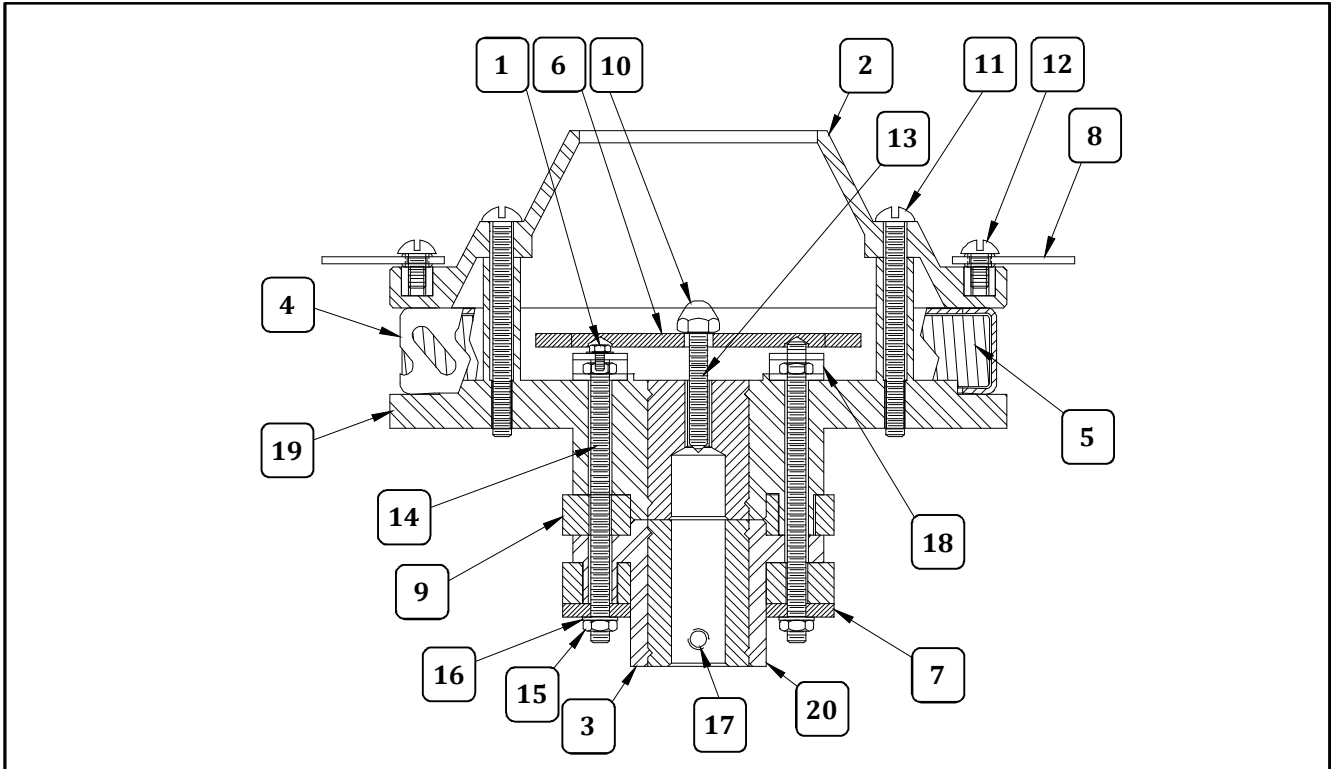
# Floss Machine Head Assembly



Item	Part Description	Qty.	Part Number	
			3024	3024EX
	SPINNER HEAD COMPLETE	1	42283	42283EX
1	8-32 x 1/4 HX HD WHIZLOCK	2	42045	42045
2	HIGH CAPACITY SPINNER CAP	1	43166	43166
3	SPINNER HEAD BOTTOM ONLY	1	42284	42284
4	5 1/2" FLOSS BAND	1	43165	43165
5	5 IN RIBBON ASSY 11 OHMS	1	42251	
	5 IN RIBBON ASSY 130V	1		42370
6	PHENOLIC TERMINAL GUARD	1	42162	42162
7	BOTTOM PHENOLIC WASHER	1	20054	20054
8	LEATHER FLOATER	2	20010	20010
9	SLIP RING 3/8 IN	2	42126	42126
10	ACORN NUT NYLON 1/4-20	1	48041	48041
11	10-24 X 2 PHIL PAN M/S	4	42041	42041
12	SCREW 8-32X5/8 PH PAN MS	2	42192	42192
13	SET SCREW 1/4-20 X 2	1	42311	42311
14	SLIP RING STUDS	2	42127	42127
15	HEX NUT 10-32 ZINC PLATED	2	74143	74143
16	#10 INTERNAL TOOTH WASHER	2	12573	12573
17	SET SCREW 1/4-20 X 3/8	1	74125	74125
18	TERMINAL ASSEMBLY	2	42305	42305
19	UPPER SPINNER HEAD	1	42437	42437
20	LOWER SPINNER HEAD 1/2	1	42281	42281



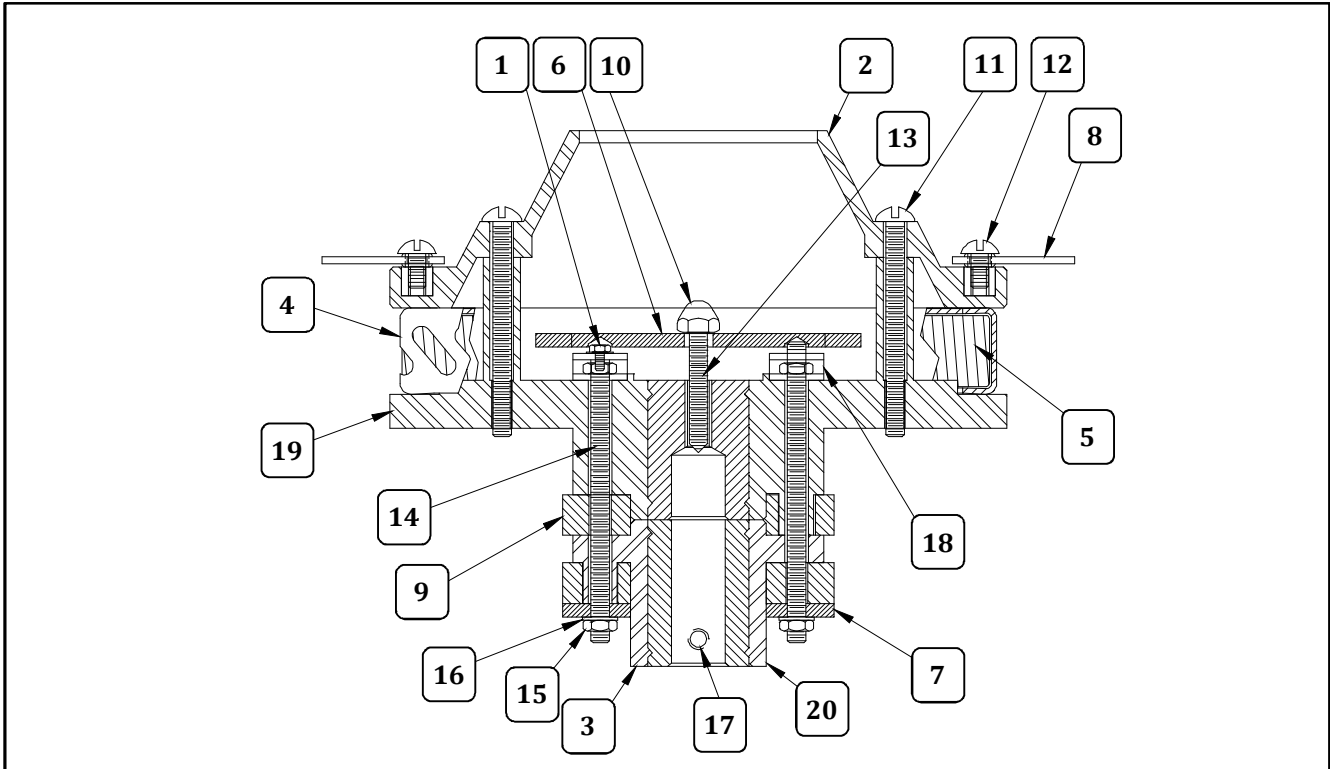
# Floss Machine Head Assembly



Item	Part Description	Qty.	Part Number	
			3024	3024EX
	SPINNER HEAD COMPLETE	1	42283	42283EX
1	8-32 x 1/4 HX HD WHIZLOCK	2	42045	42045
2	HIGH CAPACITY SPINNER CAP	1	43166	43166
3	SPINNER HEAD BOTTOM ONLY	1	42284	42284
4	5 1/2" FLOSS BAND	1	43165	43165
5	5 IN RIBBON ASSY 11 OHMS	1	42251	
	5 IN RIBBON ASSY 130V	1		42370
6	PHENOLIC TERMINAL GUARD	1	42162	42162
7	BOTTOM PHENOLIC WASHER	1	20054	20054
8	LEATHER FLOATER	2	20010	20010
9	SLIP RING 3/8 IN	2	42126	42126
10	ACORN NUT NYLON 1/4-20	1	48041	48041
11	10-24 X 2 PHIL PAN M/S	4	42041	42041
12	SCREW 8-32X5/8 PH PAN MS	2	42192	42192
13	SET SCREW 1/4-20 X 2	1	42311	42311
14	SLIP RING STUDS	2	42127	42127
15	HEX NUT 10-32 ZINC PLATED	2	74143	74143
16	#10 INTERNAL TOOTH WASHER	2	12573	12573
17	SET SCREW 1/4-20 X 3/8	1	74125	74125
18	TERMINAL ASSEMBLY	2	42305	42305
19	UPPER SPINNER HEAD	1	42437	42437
20	LOWER SPINNER HEAD 1/2	1	42281	42281



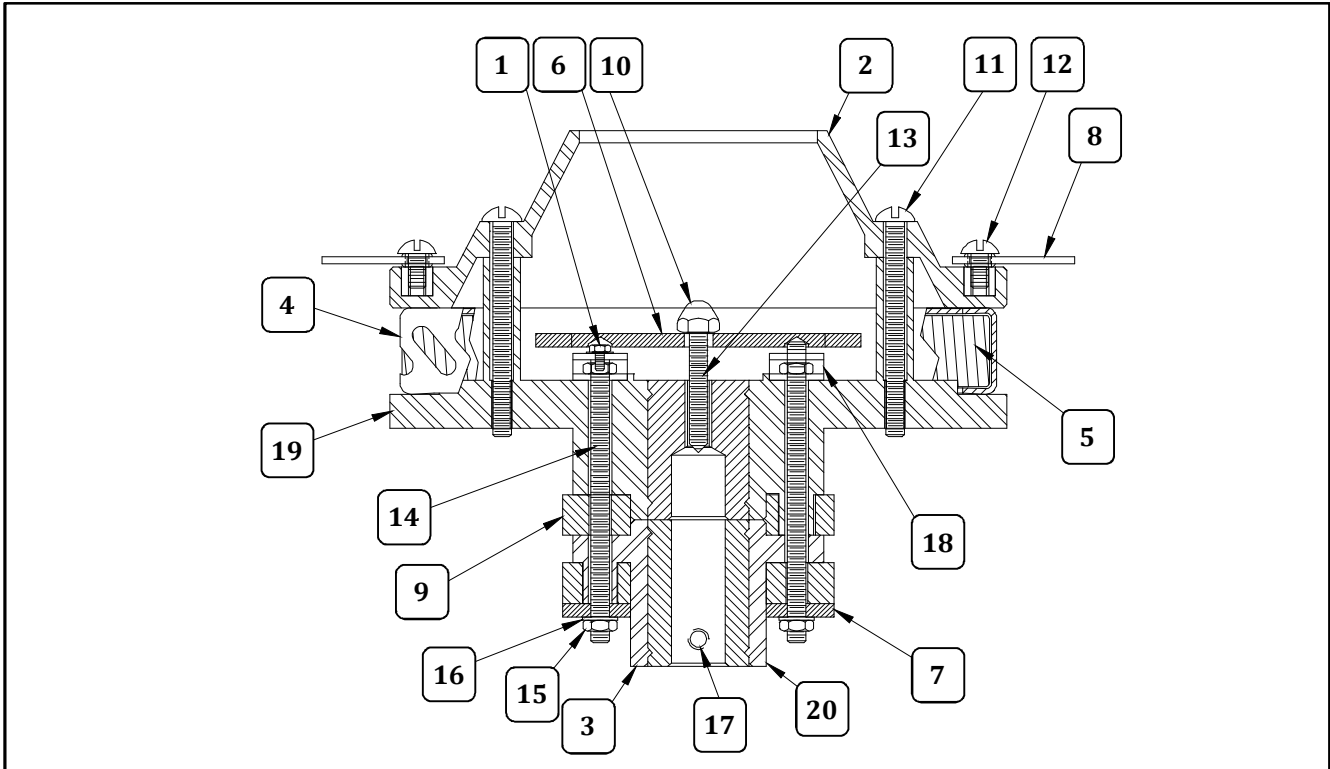
# Floss Machine Head Assembly



Item	Part Description	Qty.	Part Number	
			3024	3024EX
	SPINNER HEAD COMPLETE	1	42283	42283EX
1	8-32 x 1/4 HX HD WHIZLOCK	2	42045	42045
2	HIGH CAPACITY SPINNER CAP	1	43166	43166
3	SPINNER HEAD BOTTOM ONLY	1	42284	42284
4	5 1/2" FLOSS BAND	1	43165	43165
5	5 IN RIBBON ASSY 11 OHMS	1	42251	
	5 IN RIBBON ASSY 130V	1		42370
6	PHENOLIC TERMINAL GUARD	1	42162	42162
7	BOTTOM PHENOLIC WASHER	1	20054	20054
8	LEATHER FLOATER	2	20010	20010
9	SLIP RING 3/8 IN	2	42126	42126
10	ACORN NUT NYLON 1/4-20	1	48041	48041
11	10-24 X 2 PHIL PAN M/S	4	42041	42041
12	SCREW 8-32X5/8 PH PAN MS	2	42192	42192
13	SET SCREW 1/4-20 X 2	1	42311	42311
14	SLIP RING STUDS	2	42127	42127
15	HEX NUT 10-32 ZINC PLATED	2	74143	74143
16	#10 INTERNAL TOOTH WASHER	2	12573	12573
17	SET SCREW 1/4-20 X 3/8	1	74125	74125
18	TERMINAL ASSEMBLY	2	42305	42305
19	UPPER SPINNER HEAD	1	42437	42437
20	LOWER SPINNER HEAD 1/2	1	42281	42281



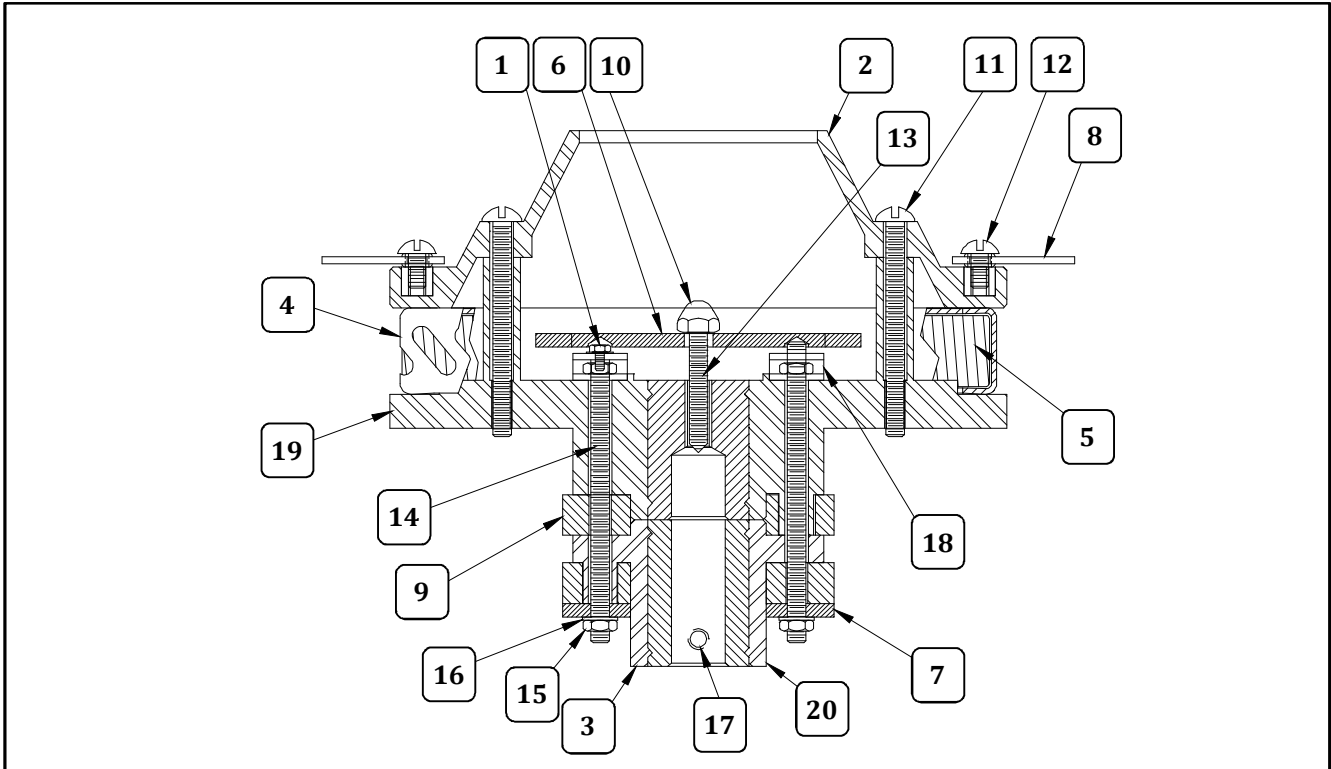
# Floss Machine Head Assembly



Item	Part Description	Qty.	Part Number	
			3024	3024EX
	SPINNER HEAD COMPLETE	1	42283	42283EX
1	8-32 x 1/4 HX HD WHIZLOCK	2	42045	42045
2	HIGH CAPACITY SPINNER CAP	1	43166	43166
3	SPINNER HEAD BOTTOM ONLY	1	42284	42284
4	5 1/2" FLOSS BAND	1	43165	43165
5	5 IN RIBBON ASSY 11 OHMS	1	42251	
	5 IN RIBBON ASSY 130V	1		42370
6	PHENOLIC TERMINAL GUARD	1	42162	42162
7	BOTTOM PHENOLIC WASHER	1	20054	20054
8	LEATHER FLOATER	2	20010	20010
9	SLIP RING 3/8 IN	2	42126	42126
10	ACORN NUT NYLON 1/4-20	1	48041	48041
11	10-24 X 2 PHIL PAN M/S	4	42041	42041
12	SCREW 8-32X5/8 PH PAN MS	2	42192	42192
13	SET SCREW 1/4-20 X 2	1	42311	42311
14	SLIP RING STUDS	2	42127	42127
15	HEX NUT 10-32 ZINC PLATED	2	74143	74143
16	#10 INTERNAL TOOTH WASHER	2	12573	12573
17	SET SCREW 1/4-20 X 3/8	1	74125	74125
18	TERMINAL ASSEMBLY	2	42305	42305
19	UPPER SPINNER HEAD	1	42437	42437
20	LOWER SPINNER HEAD 1/2	1	42281	42281



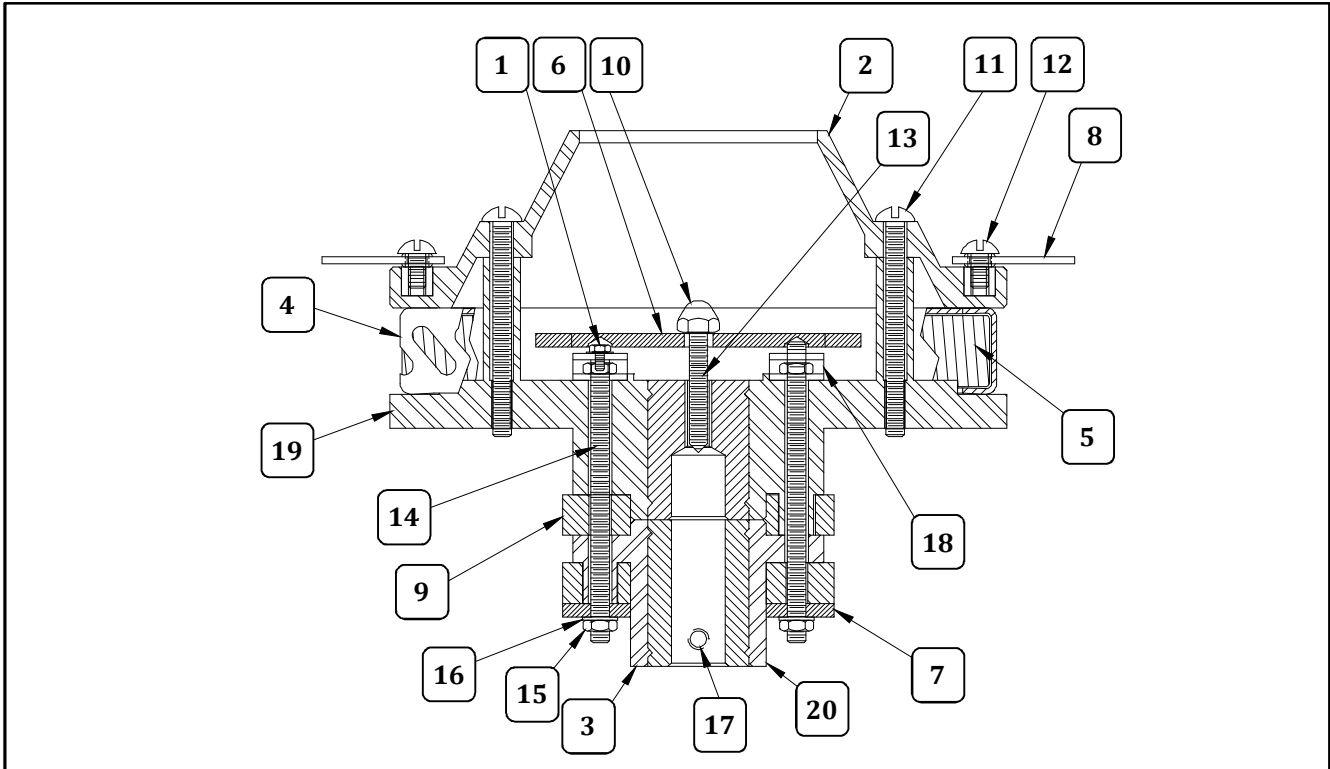
# Floss Machine Head Assembly



Item	Part Description	Qty.	Part Number	
			3024	3024EX
	SPINNER HEAD COMPLETE	1	42283	42283EX
1	8-32 x 1/4 HX HD WHIZLOCK	2	42045	42045
2	HIGH CAPACITY SPINNER CAP	1	43166	43166
3	SPINNER HEAD BOTTOM ONLY	1	42284	42284
4	5 1/2" FLOSS BAND	1	43165	43165
5	5 IN RIBBON ASSY 11 OHMS	1	42251	
	5 IN RIBBON ASSY 130V	1		42370
6	PHENOLIC TERMINAL GUARD	1	42162	42162
7	BOTTOM PHENOLIC WASHER	1	20054	20054
8	LEATHER FLOATER	2	20010	20010
9	SLIP RING 3/8 IN	2	42126	42126
10	ACORN NUT NYLON 1/4-20	1	48041	48041
11	10-24 X 2 PHIL PAN M/S	4	42041	42041
12	SCREW 8-32X5/8 PH PAN MS	2	42192	42192
13	SET SCREW 1/4-20 X 2	1	42311	42311
14	SLIP RING STUDS	2	42127	42127
15	HEX NUT 10-32 ZINC PLATED	2	74143	74143
16	#10 INTERNAL TOOTH WASHER	2	12573	12573
17	SET SCREW 1/4-20 X 3/8	1	74125	74125
18	TERMINAL ASSEMBLY	2	42305	42305
19	UPPER SPINNER HEAD	1	42437	42437
20	LOWER SPINNER HEAD 1/2	1	42281	42281



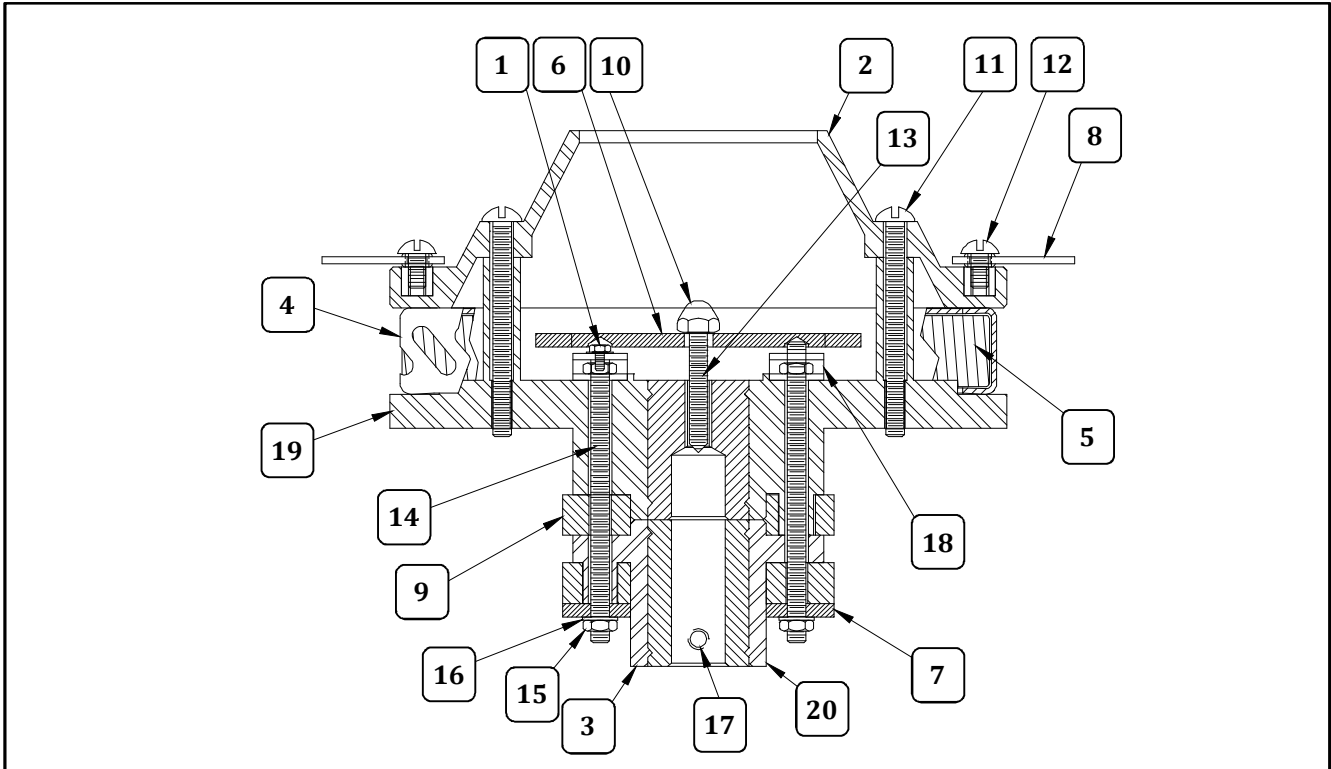
# Floss Machine Head Assembly



Item	Part Description	Qty.	Part Number	
			3024	3024EX
	SPINNER HEAD COMPLETE	1	42283	42283EX
1	8-32 x 1/4 HX HD WHIZLOCK	2	42045	42045
2	HIGH CAPACITY SPINNER CAP	1	43166	43166
3	SPINNER HEAD BOTTOM ONLY	1	42284	42284
4	5 1/2" FLOSS BAND	1	43165	43165
5	5 IN RIBBON ASSY 11 OHMS	1	42251	
	5 IN RIBBON ASSY 130V	1		42370
6	PHENOLIC TERMINAL GUARD	1	42162	42162
7	BOTTOM PHENOLIC WASHER	1	20054	20054
8	LEATHER FLOATER	2	20010	20010
9	SLIP RING 3/8 IN	2	42126	42126
10	ACORN NUT NYLON 1/4-20	1	48041	48041
11	10-24 X 2 PHIL PAN M/S	4	42041	42041
12	SCREW 8-32X5/8 PH PAN MS	2	42192	42192
13	SET SCREW 1/4-20 X 2	1	42311	42311
14	SLIP RING STUDS	2	42127	42127
15	HEX NUT 10-32 ZINC PLATED	2	74143	74143
16	#10 INTERNAL TOOTH WASHER	2	12573	12573
17	SET SCREW 1/4-20 X 3/8	1	74125	74125
18	TERMINAL ASSEMBLY	2	42305	42305
19	UPPER SPINNER HEAD	1	42437	42437
20	LOWER SPINNER HEAD 1/2	1	42281	42281



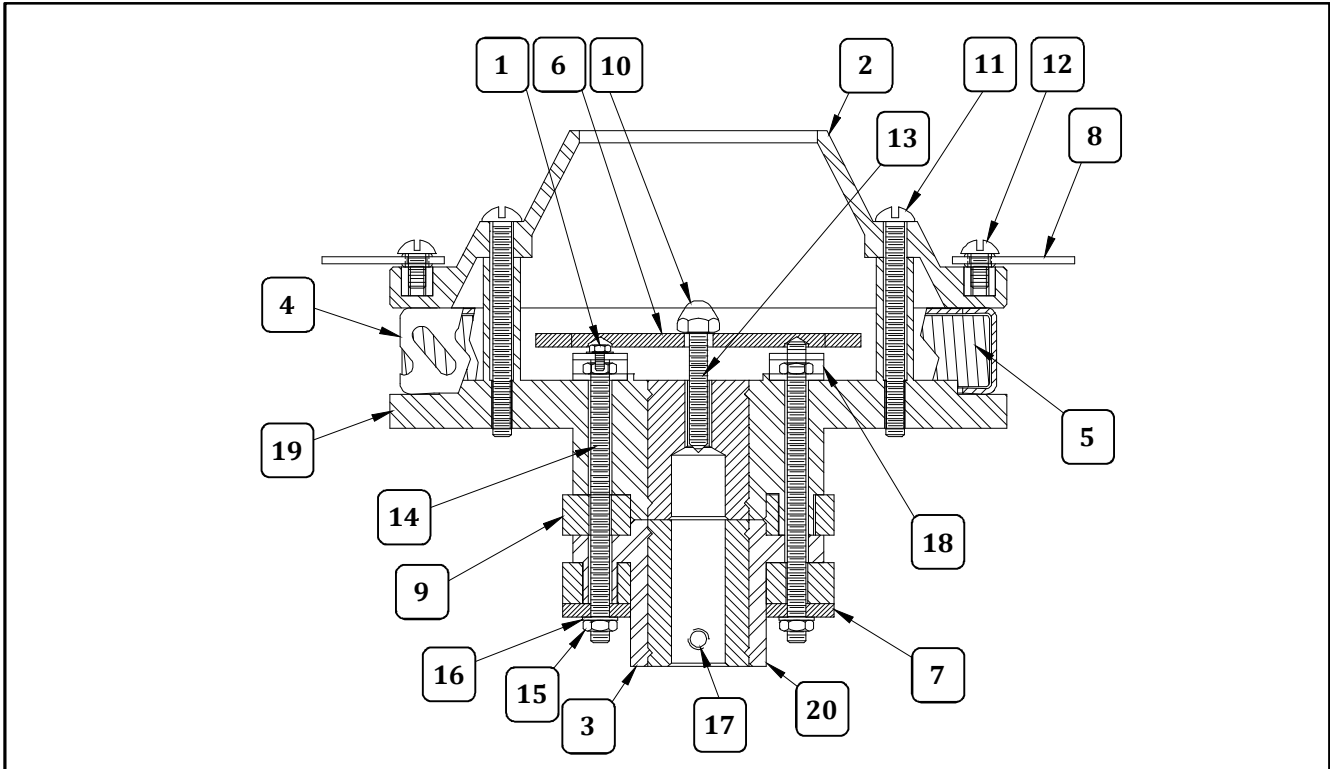
## Floss Machine Head Assembly



Item	Part Description	Qty.	Part Number	
			3024	3024EX
	SPINNER HEAD COMPLETE	1	42283	42283EX
1	8-32 x 1/4 HX HD WHIZLOCK	2	42045	42045
2	HIGH CAPACITY SPINNER CAP	1	43166	43166
3	SPINNER HEAD BOTTOM ONLY	1	42284	42284
4	5 1/2" FLOSS BAND	1	43165	43165
5	5 IN RIBBON ASSY 11 OHMS	1	42251	
	5 IN RIBBON ASSY 130V	1		42370
6	PHENOLIC TERMINAL GUARD	1	42162	42162
7	BOTTOM PHENOLIC WASHER	1	20054	20054
8	LEATHER FLOATER	2	20010	20010
9	SLIP RING 3/8 IN	2	42126	42126
10	ACORN NUT NYLON 1/4-20	1	48041	48041
11	10-24 X 2 PHIL PAN M/S	4	42041	42041
12	SCREW 8-32X5/8 PH PAN MS	2	42192	42192
13	SET SCREW 1/4-20 X 2	1	42311	42311
14	SLIP RING STUDS	2	42127	42127
15	HEX NUT 10-32 ZINC PLATED	2	74143	74143
16	#10 INTERNAL TOOTH WASHER	2	12573	12573
17	SET SCREW 1/4-20 X 3/8	1	74125	74125
18	TERMINAL ASSEMBLY	2	42305	42305
19	UPPER SPINNER HEAD	1	42437	42437
20	LOWER SPINNER HEAD 1/2	1	42281	42281



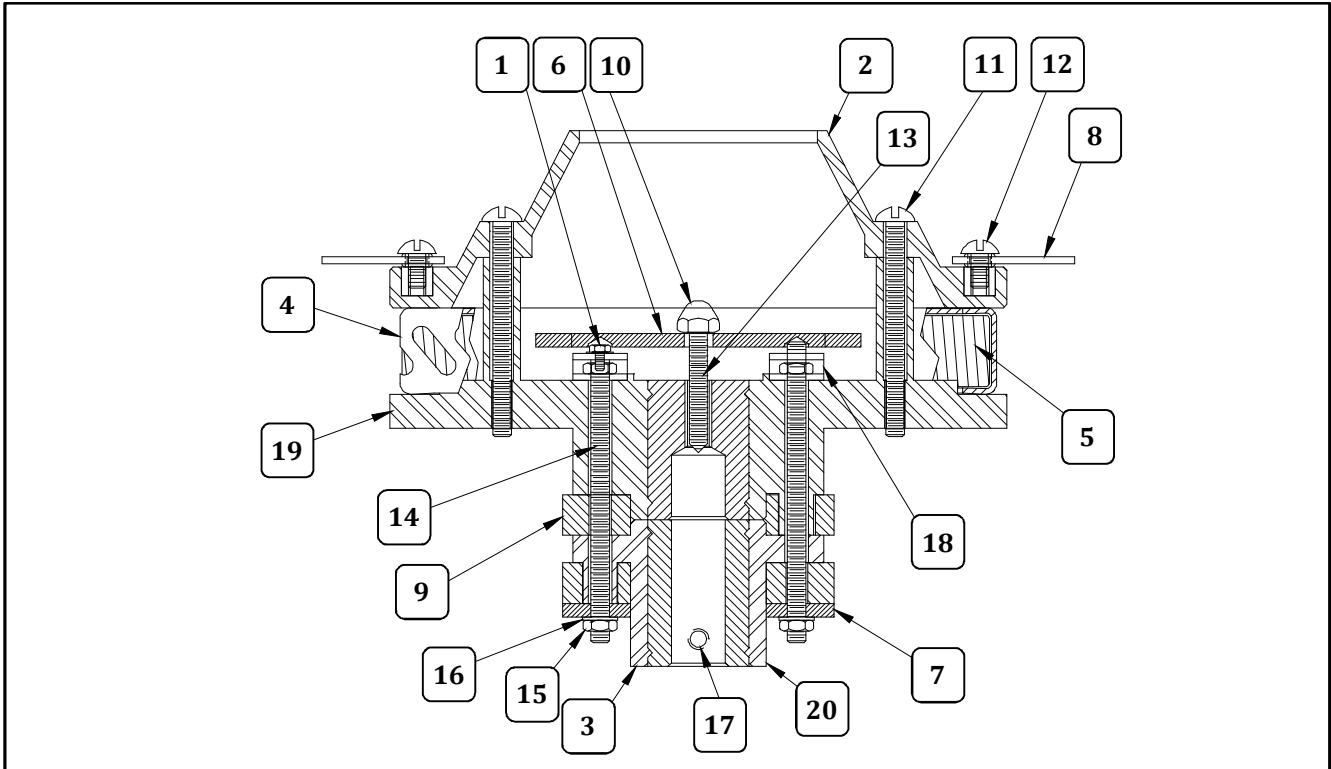
# Floss Machine Head Assembly



Item	Part Description	Qty.	Part Number	
			3024	3024EX
	SPINNER HEAD COMPLETE	1	42283	42283EX
1	8-32 x 1/4 HX HD WHIZLOCK	2	42045	42045
2	HIGH CAPACITY SPINNER CAP	1	43166	43166
3	SPINNER HEAD BOTTOM ONLY	1	42284	42284
4	5 1/2" FLOSS BAND	1	43165	43165
5	5 IN RIBBON ASSY 11 OHMS	1	42251	
	5 IN RIBBON ASSY 130V	1		42370
6	PHENOLIC TERMINAL GUARD	1	42162	42162
7	BOTTOM PHENOLIC WASHER	1	20054	20054
8	LEATHER FLOATER	2	20010	20010
9	SLIP RING 3/8 IN	2	42126	42126
10	ACORN NUT NYLON 1/4-20	1	48041	48041
11	10-24 X 2 PHIL PAN M/S	4	42041	42041
12	SCREW 8-32X5/8 PH PAN MS	2	42192	42192
13	SET SCREW 1/4-20 X 2	1	42311	42311
14	SLIP RING STUDS	2	42127	42127
15	HEX NUT 10-32 ZINC PLATED	2	74143	74143
16	#10 INTERNAL TOOTH WASHER	2	12573	12573
17	SET SCREW 1/4-20 X 3/8	1	74125	74125
18	TERMINAL ASSEMBLY	2	42305	42305
19	UPPER SPINNER HEAD	1	42437	42437
20	LOWER SPINNER HEAD 1/2	1	42281	42281



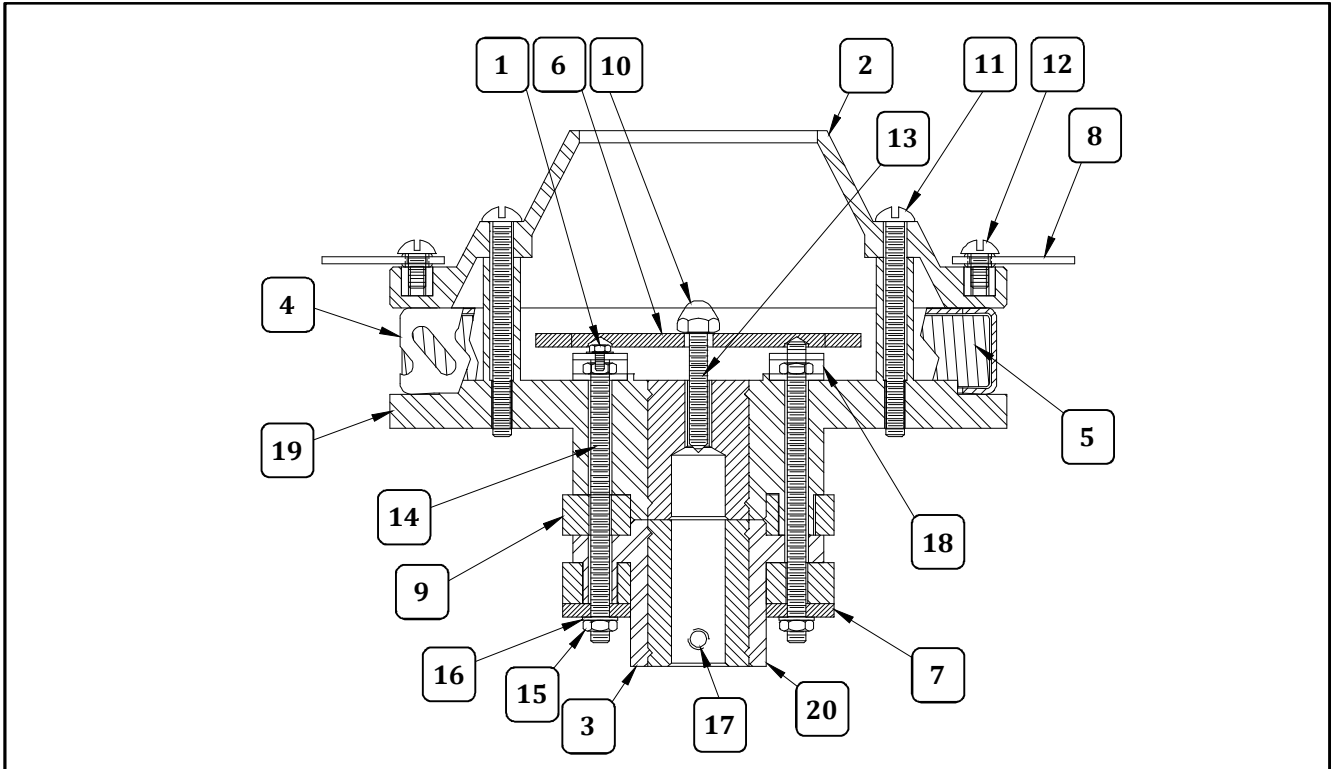
## Floss Machine Head Assembly



Item	Part Description	Qty.	Part Number	
			3024	3024EX
	SPINNER HEAD COMPLETE	1	42283	42283EX
1	8-32 x 1/4 HX HD WHIZLOCK	2	42045	42045
2	HIGH CAPACITY SPINNER CAP	1	43166	43166
3	SPINNER HEAD BOTTOM ONLY	1	42284	42284
4	5 1/2" FLOSS BAND	1	43165	43165
5	5 IN RIBBON ASSY 11 OHMS	1	42251	
	5 IN RIBBON ASSY 130V	1		42370
6	PHENOLIC TERMINAL GUARD	1	42162	42162
7	BOTTOM PHENOLIC WASHER	1	20054	20054
8	LEATHER FLOATER	2	20010	20010
9	SLIP RING 3/8 IN	2	42126	42126
10	ACORN NUT NYLON 1/4-20	1	48041	48041
11	10-24 X 2 PHIL PAN M/S	4	42041	42041
12	SCREW 8-32X5/8 PH PAN MS	2	42192	42192
13	SET SCREW 1/4-20 X 2	1	42311	42311
14	SLIP RING STUDS	2	42127	42127
15	HEX NUT 10-32 ZINC PLATED	2	74143	74143
16	#10 INTERNAL TOOTH WASHER	2	12573	12573
17	SET SCREW 1/4-20 X 3/8	1	74125	74125
18	TERMINAL ASSEMBLY	2	42305	42305
19	UPPER SPINNER HEAD	1	42437	42437
20	LOWER SPINNER HEAD 1/2	1	42281	42281



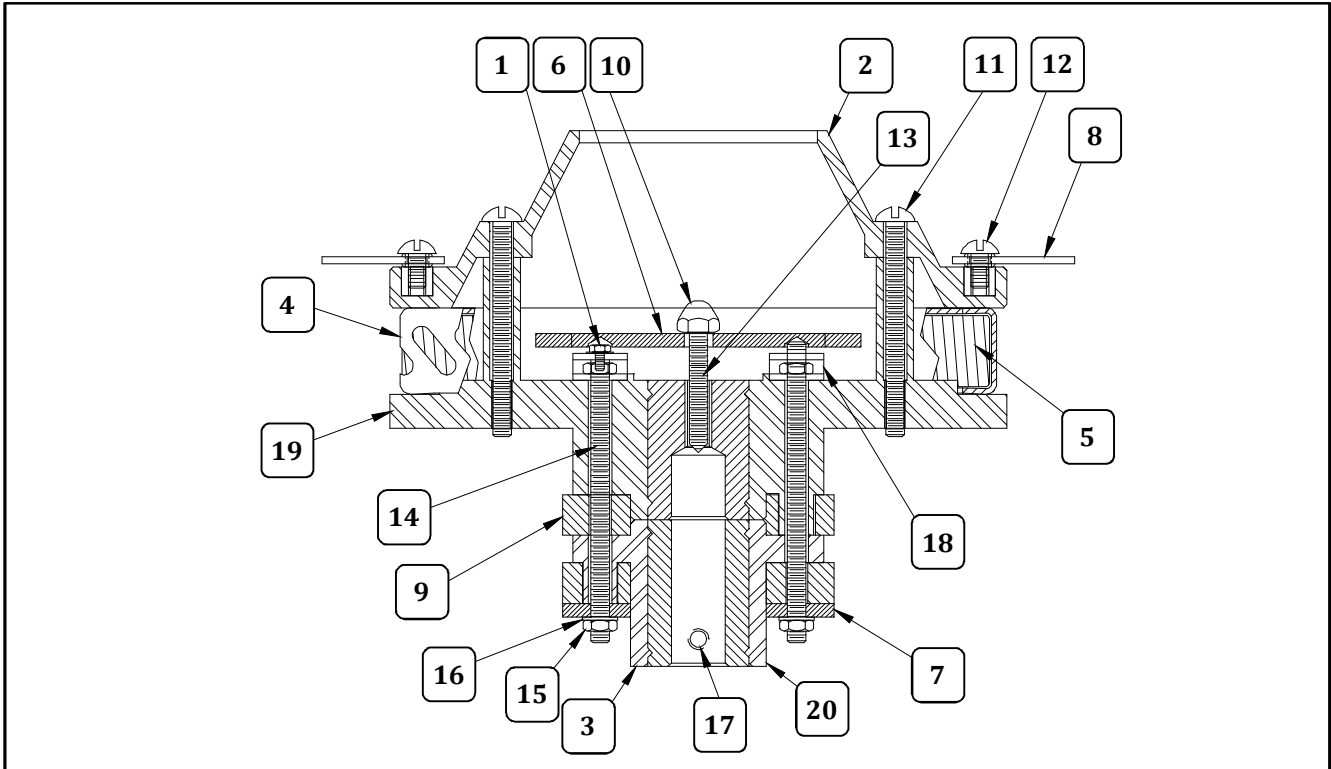
## Floss Machine Head Assembly



Item	Part Description	Qty.	Part Number	
			3024	3024EX
	SPINNER HEAD COMPLETE	1	42283	42283EX
1	8-32 x 1/4 HX HD WHIZLOCK	2	42045	42045
2	HIGH CAPACITY SPINNER CAP	1	43166	43166
3	SPINNER HEAD BOTTOM ONLY	1	42284	42284
4	5 1/2" FLOSS BAND	1	43165	43165
5	5 IN RIBBON ASSY 11 OHMS	1	42251	
	5 IN RIBBON ASSY 130V	1		42370
6	PHENOLIC TERMINAL GUARD	1	42162	42162
7	BOTTOM PHENOLIC WASHER	1	20054	20054
8	LEATHER FLOATER	2	20010	20010
9	SLIP RING 3/8 IN	2	42126	42126
10	ACORN NUT NYLON 1/4-20	1	48041	48041
11	10-24 X 2 PHIL PAN M/S	4	42041	42041
12	SCREW 8-32X5/8 PH PAN MS	2	42192	42192
13	SET SCREW 1/4-20 X 2	1	42311	42311
14	SLIP RING STUDS	2	42127	42127
15	HEX NUT 10-32 ZINC PLATED	2	74143	74143
16	#10 INTERNAL TOOTH WASHER	2	12573	12573
17	SET SCREW 1/4-20 X 3/8	1	74125	74125
18	TERMINAL ASSEMBLY	2	42305	42305
19	UPPER SPINNER HEAD	1	42437	42437
20	LOWER SPINNER HEAD 1/2	1	42281	42281



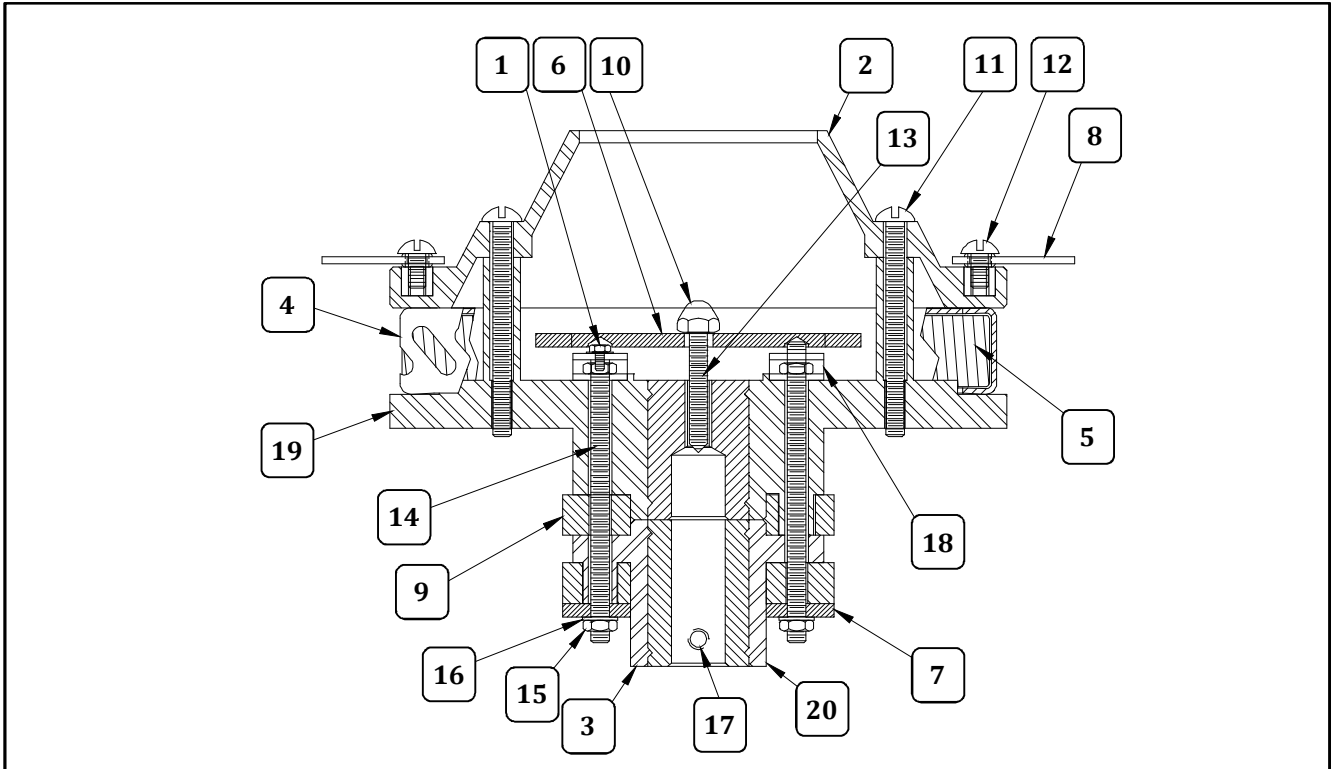
# Floss Machine Head Assembly



Item	Part Description	Qty.	Part Number	
			3024	3024EX
	SPINNER HEAD COMPLETE	1	42283	42283EX
1	8-32 x 1/4 HX HD WHIZLOCK	2	42045	42045
2	HIGH CAPACITY SPINNER CAP	1	43166	43166
3	SPINNER HEAD BOTTOM ONLY	1	42284	42284
4	5 1/2" FLOSS BAND	1	43165	43165
5	5 IN RIBBON ASSY 11 OHMS	1	42251	
	5 IN RIBBON ASSY 130V	1		42370
6	PHENOLIC TERMINAL GUARD	1	42162	42162
7	BOTTOM PHENOLIC WASHER	1	20054	20054
8	LEATHER FLOATER	2	20010	20010
9	SLIP RING 3/8 IN	2	42126	42126
10	ACORN NUT NYLON 1/4-20	1	48041	48041
11	10-24 X 2 PHIL PAN M/S	4	42041	42041
12	SCREW 8-32X5/8 PH PAN MS	2	42192	42192
13	SET SCREW 1/4-20 X 2	1	42311	42311
14	SLIP RING STUDS	2	42127	42127
15	HEX NUT 10-32 ZINC PLATED	2	74143	74143
16	#10 INTERNAL TOOTH WASHER	2	12573	12573
17	SET SCREW 1/4-20 X 3/8	1	74125	74125
18	TERMINAL ASSEMBLY	2	42305	42305
19	UPPER SPINNER HEAD	1	42437	42437
20	LOWER SPINNER HEAD 1/2	1	42281	42281



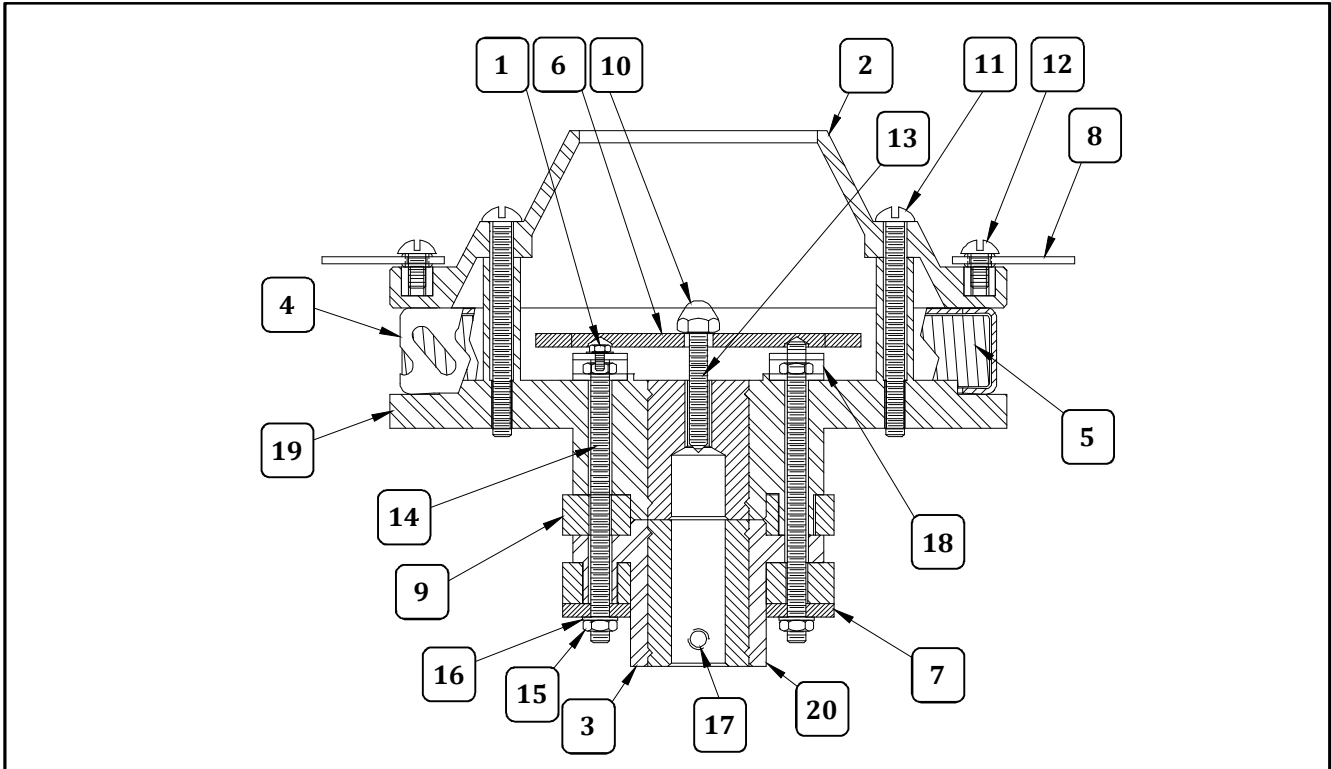
# Floss Machine Head Assembly



Item	Part Description	Qty.	Part Number	
			3024	3024EX
	SPINNER HEAD COMPLETE	1	42283	42283EX
1	8-32 x 1/4 HX HD WHIZLOCK	2	42045	42045
2	HIGH CAPACITY SPINNER CAP	1	43166	43166
3	SPINNER HEAD BOTTOM ONLY	1	42284	42284
4	5 1/2" FLOSS BAND	1	43165	43165
5	5 IN RIBBON ASSY 11 OHMS	1	42251	
	5 IN RIBBON ASSY 130V	1		42370
6	PHENOLIC TERMINAL GUARD	1	42162	42162
7	BOTTOM PHENOLIC WASHER	1	20054	20054
8	LEATHER FLOATER	2	20010	20010
9	SLIP RING 3/8 IN	2	42126	42126
10	ACORN NUT NYLON 1/4-20	1	48041	48041
11	10-24 X 2 PHIL PAN M/S	4	42041	42041
12	SCREW 8-32X5/8 PH PAN MS	2	42192	42192
13	SET SCREW 1/4-20 X 2	1	42311	42311
14	SLIP RING STUDS	2	42127	42127
15	HEX NUT 10-32 ZINC PLATED	2	74143	74143
16	#10 INTERNAL TOOTH WASHER	2	12573	12573
17	SET SCREW 1/4-20 X 3/8	1	74125	74125
18	TERMINAL ASSEMBLY	2	42305	42305
19	UPPER SPINNER HEAD	1	42437	42437
20	LOWER SPINNER HEAD 1/2	1	42281	42281



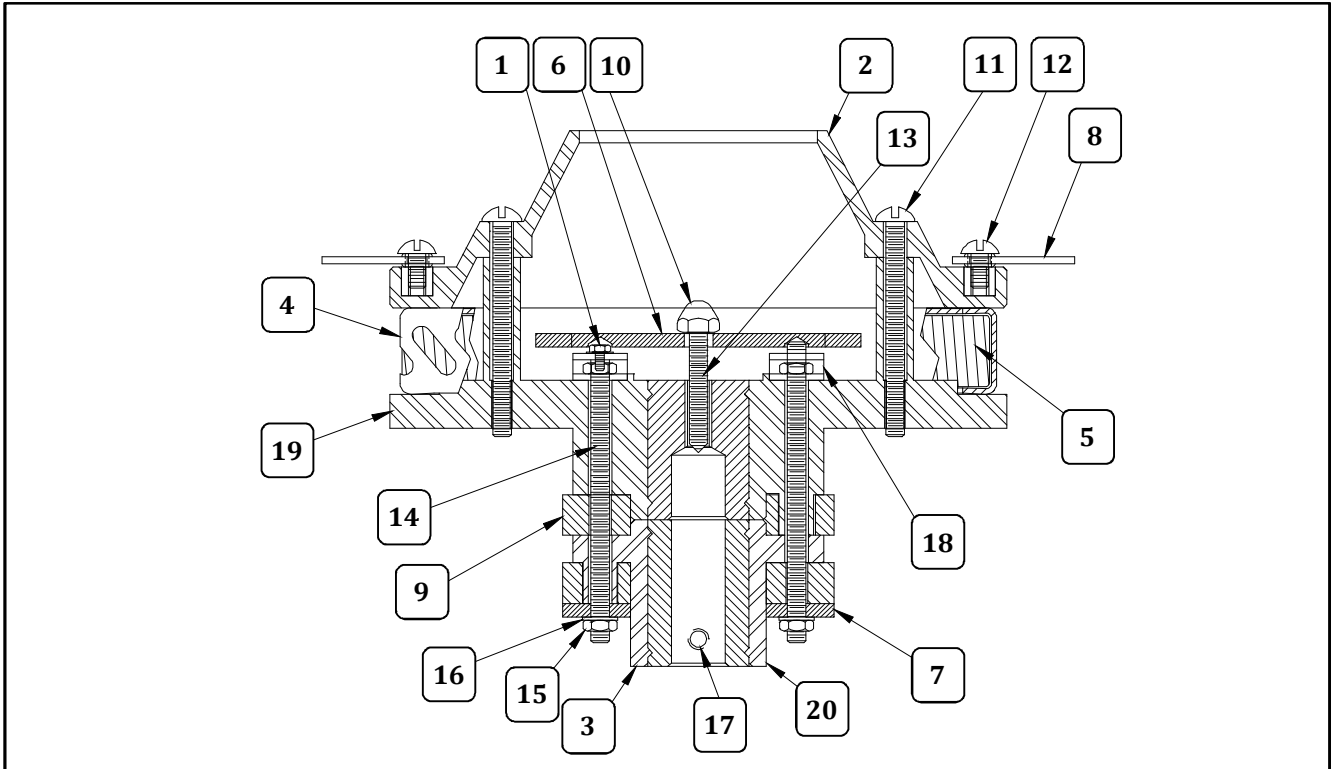
# Floss Machine Head Assembly



Item	Part Description	Qty.	Part Number	
			3024	3024EX
	SPINNER HEAD COMPLETE	1	42283	42283EX
1	8-32 x 1/4 HX HD WHIZLOCK	2	42045	42045
2	HIGH CAPACITY SPINNER CAP	1	43166	43166
3	SPINNER HEAD BOTTOM ONLY	1	42284	42284
4	5 1/2" FLOSS BAND	1	43165	43165
5	5 IN RIBBON ASSY 11 OHMS	1	42251	
	5 IN RIBBON ASSY 130V	1		42370
6	PHENOLIC TERMINAL GUARD	1	42162	42162
7	BOTTOM PHENOLIC WASHER	1	20054	20054
8	LEATHER FLOATER	2	20010	20010
9	SLIP RING 3/8 IN	2	42126	42126
10	ACORN NUT NYLON 1/4-20	1	48041	48041
11	10-24 X 2 PHIL PAN M/S	4	42041	42041
12	SCREW 8-32X5/8 PH PAN MS	2	42192	42192
13	SET SCREW 1/4-20 X 2	1	42311	42311
14	SLIP RING STUDS	2	42127	42127
15	HEX NUT 10-32 ZINC PLATED	2	74143	74143
16	#10 INTERNAL TOOTH WASHER	2	12573	12573
17	SET SCREW 1/4-20 X 3/8	1	74125	74125
18	TERMINAL ASSEMBLY	2	42305	42305
19	UPPER SPINNER HEAD	1	42437	42437
20	LOWER SPINNER HEAD 1/2	1	42281	42281



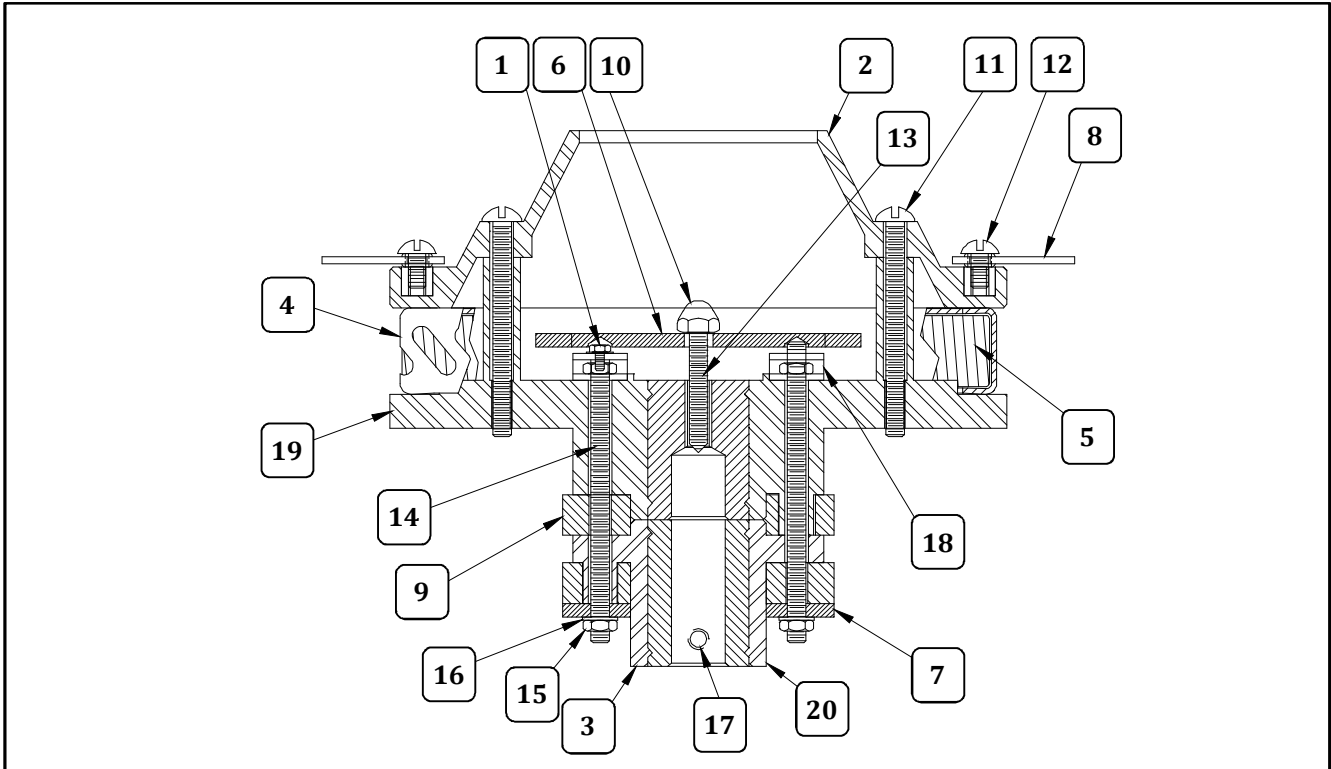
## Floss Machine Head Assembly



Item	Part Description	Qty.	Part Number	
			3024	3024EX
	SPINNER HEAD COMPLETE	1	42283	42283EX
1	8-32 x 1/4 HX HD WHIZLOCK	2	42045	42045
2	HIGH CAPACITY SPINNER CAP	1	43166	43166
3	SPINNER HEAD BOTTOM ONLY	1	42284	42284
4	5 1/2" FLOSS BAND	1	43165	43165
5	5 IN RIBBON ASSY 11 OHMS	1	42251	
	5 IN RIBBON ASSY 130V	1		42370
6	PHENOLIC TERMINAL GUARD	1	42162	42162
7	BOTTOM PHENOLIC WASHER	1	20054	20054
8	LEATHER FLOATER	2	20010	20010
9	SLIP RING 3/8 IN	2	42126	42126
10	ACORN NUT NYLON 1/4-20	1	48041	48041
11	10-24 X 2 PHIL PAN M/S	4	42041	42041
12	SCREW 8-32X5/8 PH PAN MS	2	42192	42192
13	SET SCREW 1/4-20 X 2	1	42311	42311
14	SLIP RING STUDS	2	42127	42127
15	HEX NUT 10-32 ZINC PLATED	2	74143	74143
16	#10 INTERNAL TOOTH WASHER	2	12573	12573
17	SET SCREW 1/4-20 X 3/8	1	74125	74125
18	TERMINAL ASSEMBLY	2	42305	42305
19	UPPER SPINNER HEAD	1	42437	42437
20	LOWER SPINNER HEAD 1/2	1	42281	42281



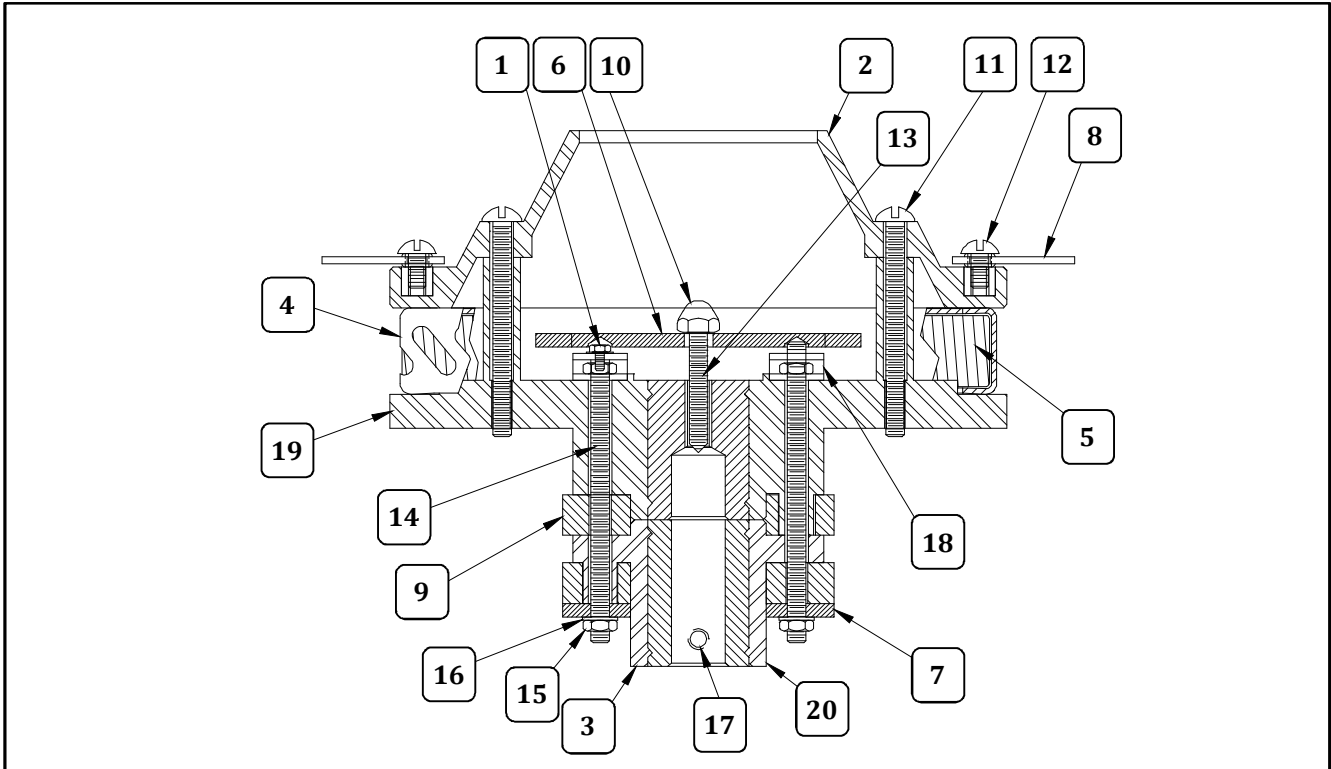
# Floss Machine Head Assembly



Item	Part Description	Qty.	Part Number	
			3024	3024EX
	SPINNER HEAD COMPLETE	1	42283	42283EX
1	8-32 x 1/4 HX HD WHIZLOCK	2	42045	42045
2	HIGH CAPACITY SPINNER CAP	1	43166	43166
3	SPINNER HEAD BOTTOM ONLY	1	42284	42284
4	5 1/2" FLOSS BAND	1	43165	43165
5	5 IN RIBBON ASSY 11 OHMS	1	42251	
	5 IN RIBBON ASSY 130V	1		42370
6	PHENOLIC TERMINAL GUARD	1	42162	42162
7	BOTTOM PHENOLIC WASHER	1	20054	20054
8	LEATHER FLOATER	2	20010	20010
9	SLIP RING 3/8 IN	2	42126	42126
10	ACORN NUT NYLON 1/4-20	1	48041	48041
11	10-24 X 2 PHIL PAN M/S	4	42041	42041
12	SCREW 8-32X5/8 PH PAN MS	2	42192	42192
13	SET SCREW 1/4-20 X 2	1	42311	42311
14	SLIP RING STUDS	2	42127	42127
15	HEX NUT 10-32 ZINC PLATED	2	74143	74143
16	#10 INTERNAL TOOTH WASHER	2	12573	12573
17	SET SCREW 1/4-20 X 3/8	1	74125	74125
18	TERMINAL ASSEMBLY	2	42305	42305
19	UPPER SPINNER HEAD	1	42437	42437
20	LOWER SPINNER HEAD 1/2	1	42281	42281



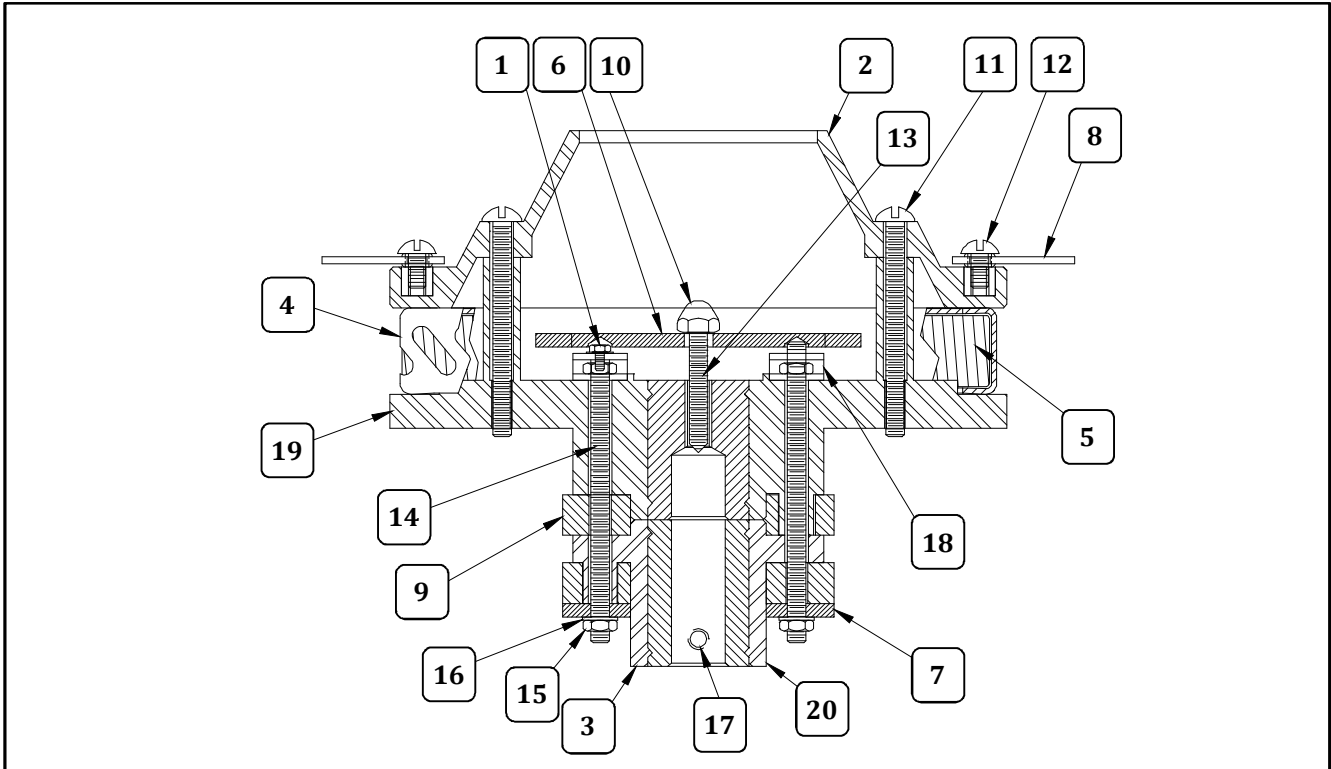
# Floss Machine Head Assembly



Item	Part Description	Qty.	Part Number	
			3024	3024EX
	SPINNER HEAD COMPLETE	1	42283	42283EX
1	8-32 x 1/4 HX HD WHIZLOCK	2	42045	42045
2	HIGH CAPACITY SPINNER CAP	1	43166	43166
3	SPINNER HEAD BOTTOM ONLY	1	42284	42284
4	5 1/2" FLOSS BAND	1	43165	43165
5	5 IN RIBBON ASSY 11 OHMS	1	42251	
	5 IN RIBBON ASSY 130V	1		42370
6	PHENOLIC TERMINAL GUARD	1	42162	42162
7	BOTTOM PHENOLIC WASHER	1	20054	20054
8	LEATHER FLOATER	2	20010	20010
9	SLIP RING 3/8 IN	2	42126	42126
10	ACORN NUT NYLON 1/4-20	1	48041	48041
11	10-24 X 2 PHIL PAN M/S	4	42041	42041
12	SCREW 8-32X5/8 PH PAN MS	2	42192	42192
13	SET SCREW 1/4-20 X 2	1	42311	42311
14	SLIP RING STUDS	2	42127	42127
15	HEX NUT 10-32 ZINC PLATED	2	74143	74143
16	#10 INTERNAL TOOTH WASHER	2	12573	12573
17	SET SCREW 1/4-20 X 3/8	1	74125	74125
18	TERMINAL ASSEMBLY	2	42305	42305
19	UPPER SPINNER HEAD	1	42437	42437
20	LOWER SPINNER HEAD 1/2	1	42281	42281



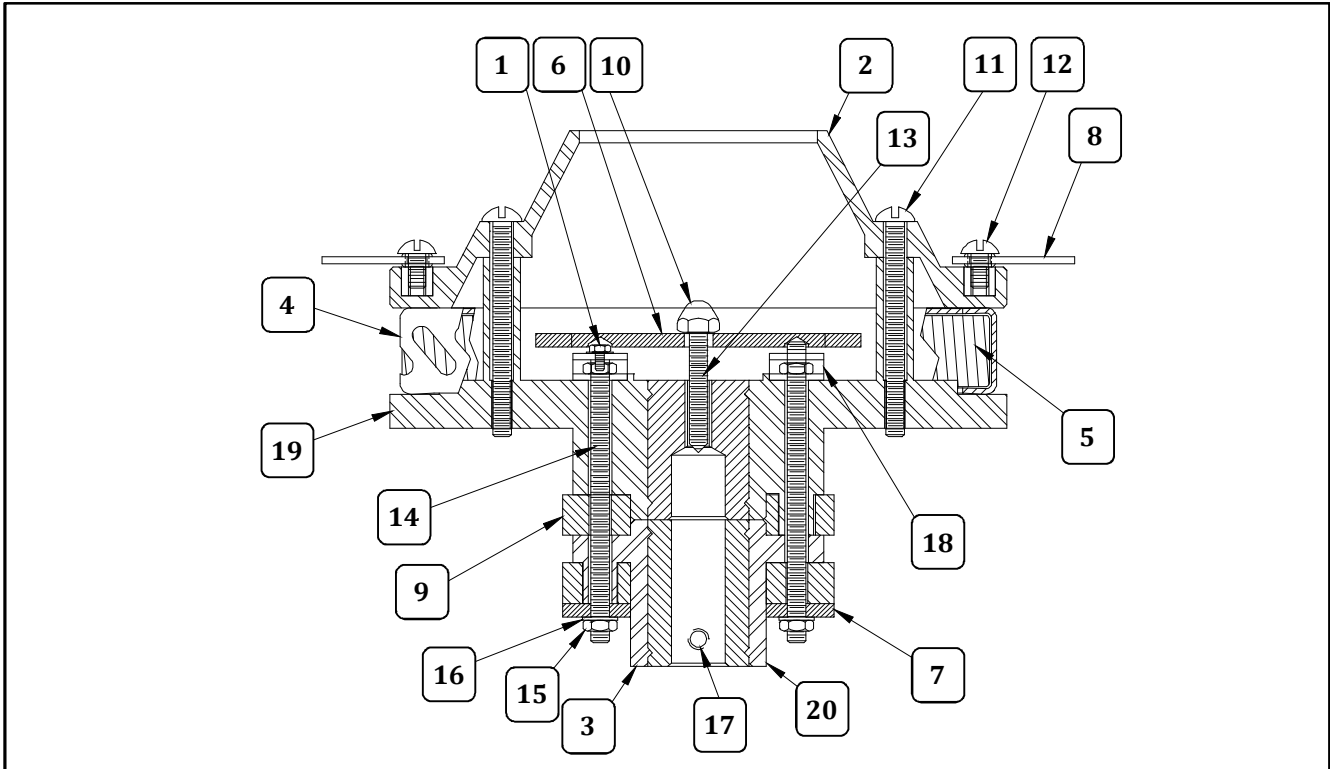
# Floss Machine Head Assembly



Item	Part Description	Qty.	Part Number	
			3024	3024EX
	SPINNER HEAD COMPLETE	1	42283	42283EX
1	8-32 x 1/4 HX HD WHIZLOCK	2	42045	42045
2	HIGH CAPACITY SPINNER CAP	1	43166	43166
3	SPINNER HEAD BOTTOM ONLY	1	42284	42284
4	5 1/2" FLOSS BAND	1	43165	43165
5	5 IN RIBBON ASSY 11 OHMS	1	42251	
	5 IN RIBBON ASSY 130V	1		42370
6	PHENOLIC TERMINAL GUARD	1	42162	42162
7	BOTTOM PHENOLIC WASHER	1	20054	20054
8	LEATHER FLOATER	2	20010	20010
9	SLIP RING 3/8 IN	2	42126	42126
10	ACORN NUT NYLON 1/4-20	1	48041	48041
11	10-24 X 2 PHIL PAN M/S	4	42041	42041
12	SCREW 8-32X5/8 PH PAN MS	2	42192	42192
13	SET SCREW 1/4-20 X 2	1	42311	42311
14	SLIP RING STUDS	2	42127	42127
15	HEX NUT 10-32 ZINC PLATED	2	74143	74143
16	#10 INTERNAL TOOTH WASHER	2	12573	12573
17	SET SCREW 1/4-20 X 3/8	1	74125	74125
18	TERMINAL ASSEMBLY	2	42305	42305
19	UPPER SPINNER HEAD	1	42437	42437
20	LOWER SPINNER HEAD 1/2	1	42281	42281



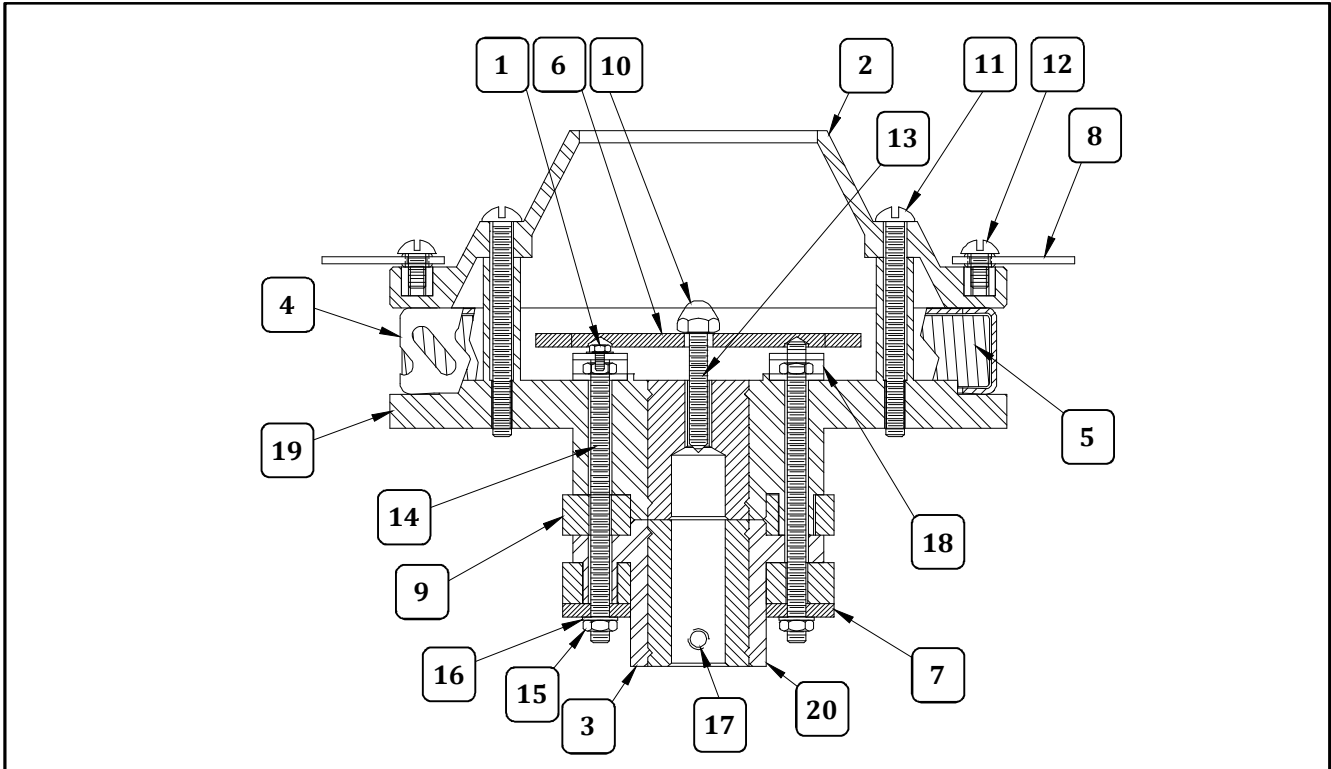
# Floss Machine Head Assembly



Item	Part Description	Qty.	Part Number	
			3024	3024EX
	SPINNER HEAD COMPLETE	1	42283	42283EX
1	8-32 x 1/4 HX HD WHIZLOCK	2	42045	42045
2	HIGH CAPACITY SPINNER CAP	1	43166	43166
3	SPINNER HEAD BOTTOM ONLY	1	42284	42284
4	5 1/2" FLOSS BAND	1	43165	43165
5	5 IN RIBBON ASSY 11 OHMS	1	42251	
	5 IN RIBBON ASSY 130V	1		42370
6	PHENOLIC TERMINAL GUARD	1	42162	42162
7	BOTTOM PHENOLIC WASHER	1	20054	20054
8	LEATHER FLOATER	2	20010	20010
9	SLIP RING 3/8 IN	2	42126	42126
10	ACORN NUT NYLON 1/4-20	1	48041	48041
11	10-24 X 2 PHIL PAN M/S	4	42041	42041
12	SCREW 8-32X5/8 PH PAN MS	2	42192	42192
13	SET SCREW 1/4-20 X 2	1	42311	42311
14	SLIP RING STUDS	2	42127	42127
15	HEX NUT 10-32 ZINC PLATED	2	74143	74143
16	#10 INTERNAL TOOTH WASHER	2	12573	12573
17	SET SCREW 1/4-20 X 3/8	1	74125	74125
18	TERMINAL ASSEMBLY	2	42305	42305
19	UPPER SPINNER HEAD	1	42437	42437
20	LOWER SPINNER HEAD 1/2	1	42281	42281



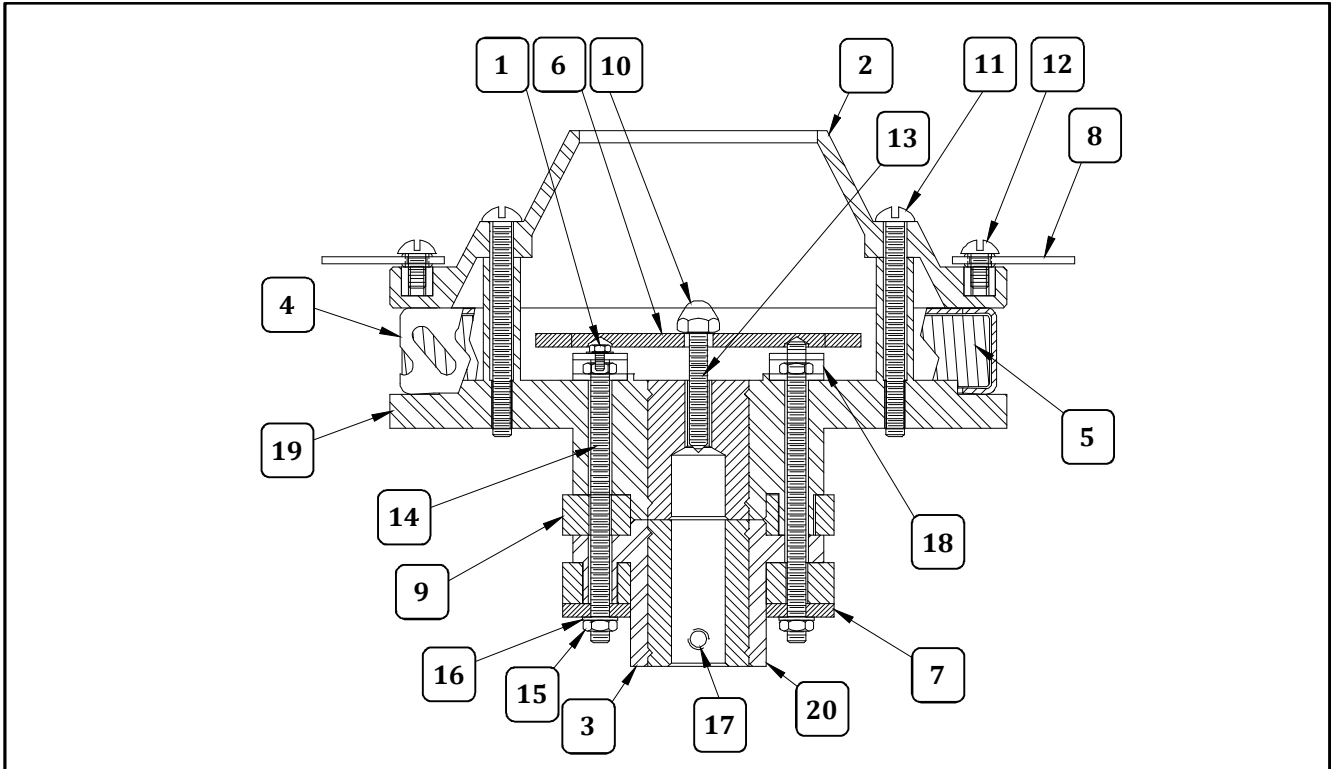
## Floss Machine Head Assembly



Item	Part Description	Qty.	Part Number	
			3024	3024EX
	SPINNER HEAD COMPLETE	1	42283	42283EX
1	8-32 x 1/4 HX HD WHIZLOCK	2	42045	42045
2	HIGH CAPACITY SPINNER CAP	1	43166	43166
3	SPINNER HEAD BOTTOM ONLY	1	42284	42284
4	5 1/2" FLOSS BAND	1	43165	43165
5	5 IN RIBBON ASSY 11 OHMS	1	42251	
	5 IN RIBBON ASSY 130V	1		42370
6	PHENOLIC TERMINAL GUARD	1	42162	42162
7	BOTTOM PHENOLIC WASHER	1	20054	20054
8	LEATHER FLOATER	2	20010	20010
9	SLIP RING 3/8 IN	2	42126	42126
10	ACORN NUT NYLON 1/4-20	1	48041	48041
11	10-24 X 2 PHIL PAN M/S	4	42041	42041
12	SCREW 8-32X5/8 PH PAN MS	2	42192	42192
13	SET SCREW 1/4-20 X 2	1	42311	42311
14	SLIP RING STUDS	2	42127	42127
15	HEX NUT 10-32 ZINC PLATED	2	74143	74143
16	#10 INTERNAL TOOTH WASHER	2	12573	12573
17	SET SCREW 1/4-20 X 3/8	1	74125	74125
18	TERMINAL ASSEMBLY	2	42305	42305
19	UPPER SPINNER HEAD	1	42437	42437
20	LOWER SPINNER HEAD 1/2	1	42281	42281



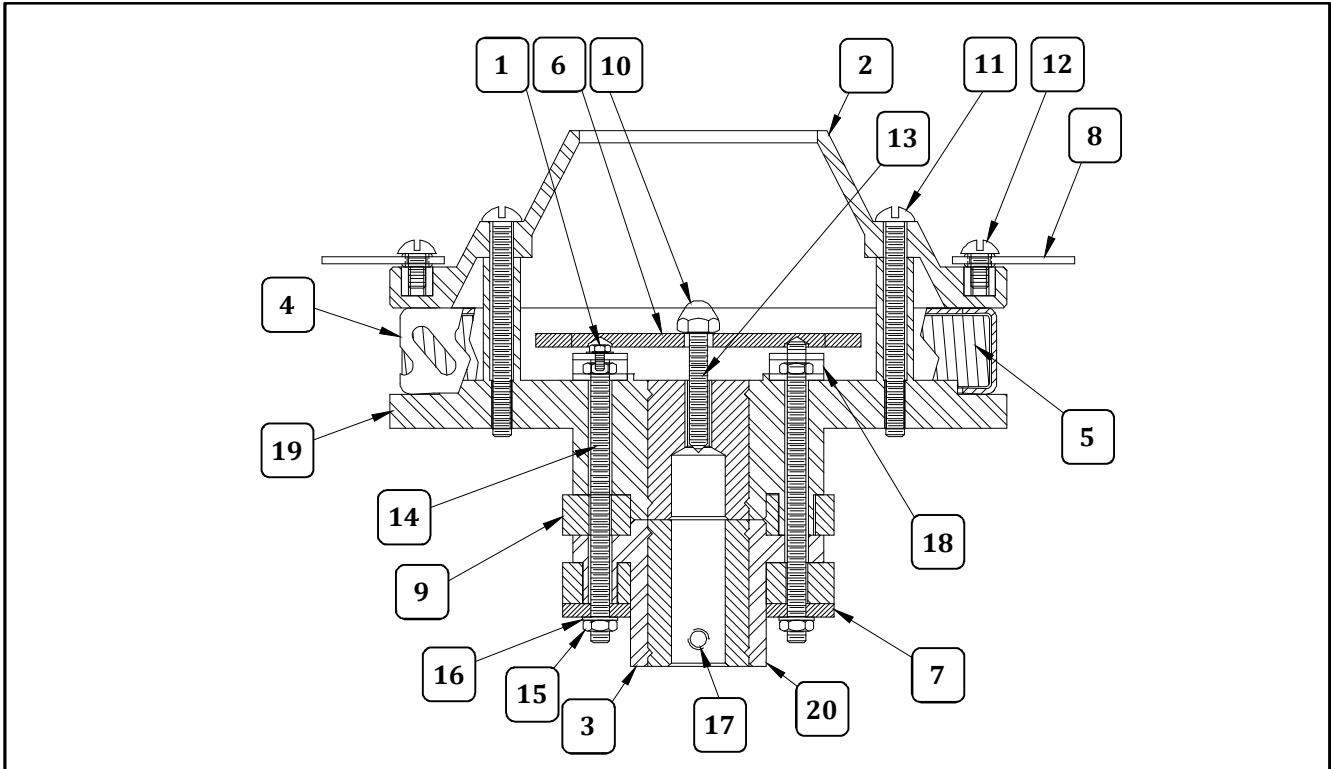
# Floss Machine Head Assembly



Item	Part Description	Qty.	Part Number	
			3024	3024EX
	SPINNER HEAD COMPLETE	1	42283	42283EX
1	8-32 x 1/4 HX HD WHIZLOCK	2	42045	42045
2	HIGH CAPACITY SPINNER CAP	1	43166	43166
3	SPINNER HEAD BOTTOM ONLY	1	42284	42284
4	5 1/2" FLOSS BAND	1	43165	43165
5	5 IN RIBBON ASSY 11 OHMS	1	42251	
	5 IN RIBBON ASSY 130V	1		42370
6	PHENOLIC TERMINAL GUARD	1	42162	42162
7	BOTTOM PHENOLIC WASHER	1	20054	20054
8	LEATHER FLOATER	2	20010	20010
9	SLIP RING 3/8 IN	2	42126	42126
10	ACORN NUT NYLON 1/4-20	1	48041	48041
11	10-24 X 2 PHIL PAN M/S	4	42041	42041
12	SCREW 8-32X5/8 PH PAN MS	2	42192	42192
13	SET SCREW 1/4-20 X 2	1	42311	42311
14	SLIP RING STUDS	2	42127	42127
15	HEX NUT 10-32 ZINC PLATED	2	74143	74143
16	#10 INTERNAL TOOTH WASHER	2	12573	12573
17	SET SCREW 1/4-20 X 3/8	1	74125	74125
18	TERMINAL ASSEMBLY	2	42305	42305
19	UPPER SPINNER HEAD	1	42437	42437
20	LOWER SPINNER HEAD 1/2	1	42281	42281



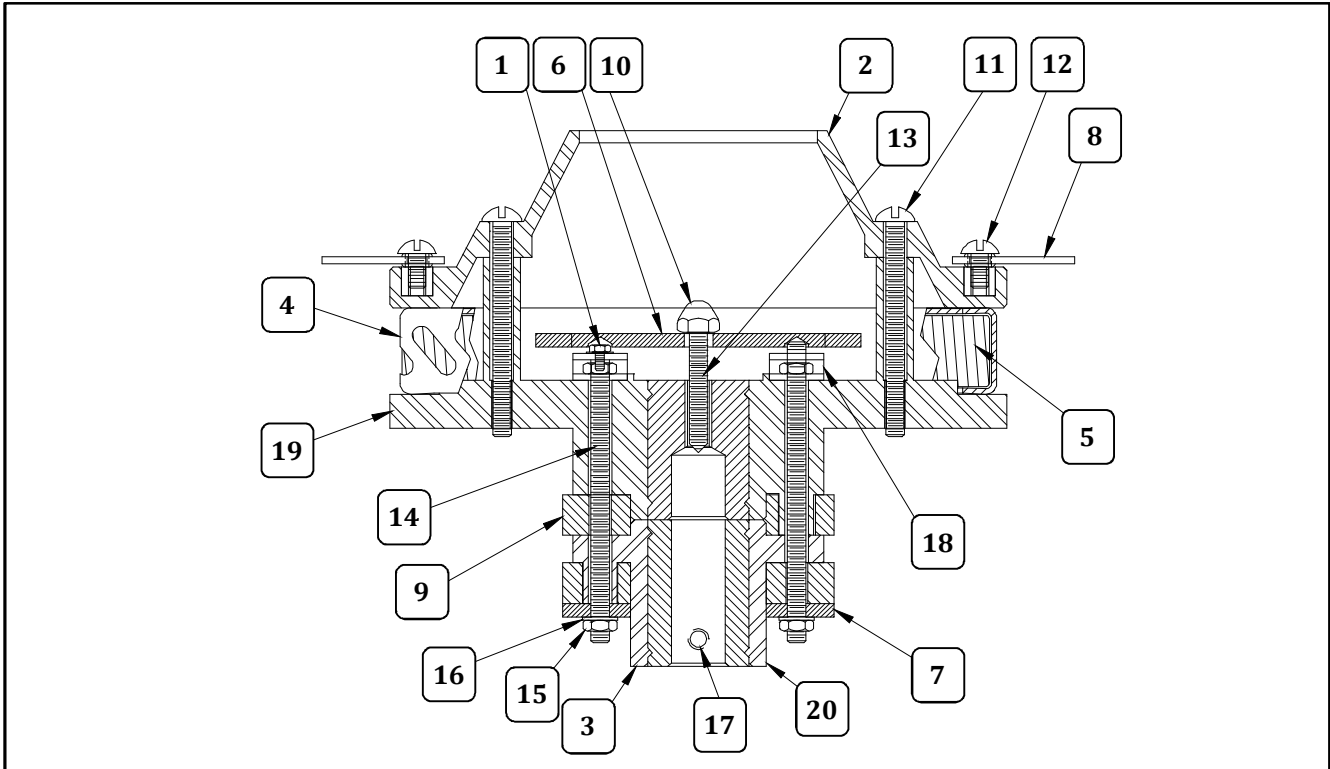
# Floss Machine Head Assembly



Item	Part Description	Qty.	Part Number	
			3024	3024EX
	SPINNER HEAD COMPLETE	1	<a href="#">42283</a>	<a href="#">42283EX</a>
1	8-32 x 1/4 HX HD WHIZLOCK	2	<a href="#">42045</a>	<a href="#">42045</a>
2	HIGH CAPACITY SPINNER CAP	1	<a href="#">43166</a>	<a href="#">43166</a>
3	SPINNER HEAD BOTTOM ONLY	1	<a href="#">42284</a>	<a href="#">42284</a>
4	5 1/2" FLOSS BAND	1	<a href="#">43165</a>	<a href="#">43165</a>
5	5 IN RIBBON ASSY 11 OHMS	1	<a href="#">42251</a>	
	5 IN RIBBON ASSY 130V	1		<a href="#">42370</a>
6	PHENOLIC TERMINAL GUARD	1	<a href="#">42162</a>	<a href="#">42162</a>
7	BOTTOM PHENOLIC WASHER	1	<a href="#">20054</a>	<a href="#">20054</a>
8	LEATHER FLOATER	2	<a href="#">20010</a>	<a href="#">20010</a>
9	SLIP RING 3/8 IN	2	<a href="#">42126</a>	<a href="#">42126</a>
10	ACORN NUT NYLON 1/4-20	1	<a href="#">48041</a>	<a href="#">48041</a>
11	10-24 X 2 PHIL PAN M/S	4	<a href="#">42041</a>	<a href="#">42041</a>
12	SCREW 8-32X5/8 PH PAN MS	2	<a href="#">42192</a>	<a href="#">42192</a>
13	SET SCREW 1/4-20 X 2	1	<a href="#">42311</a>	<a href="#">42311</a>
14	SLIP RING STUDS	2	<a href="#">42127</a>	<a href="#">42127</a>
15	HEX NUT 10-32 ZINC PLATED	2	<a href="#">74143</a>	<a href="#">74143</a>
16	#10 INTERNAL TOOTH WASHER	2	<a href="#">12573</a>	<a href="#">12573</a>
17	SET SCREW 1/4-20 X 3/8	1	<a href="#">74125</a>	<a href="#">74125</a>
18	TERMINAL ASSEMBLY	2	<a href="#">42305</a>	<a href="#">42305</a>
19	UPPER SPINNER HEAD	1	<a href="#">42437</a>	<a href="#">42437</a>
20	LOWER SPINNER HEAD 1/2	1	<a href="#">42281</a>	<a href="#">42281</a>



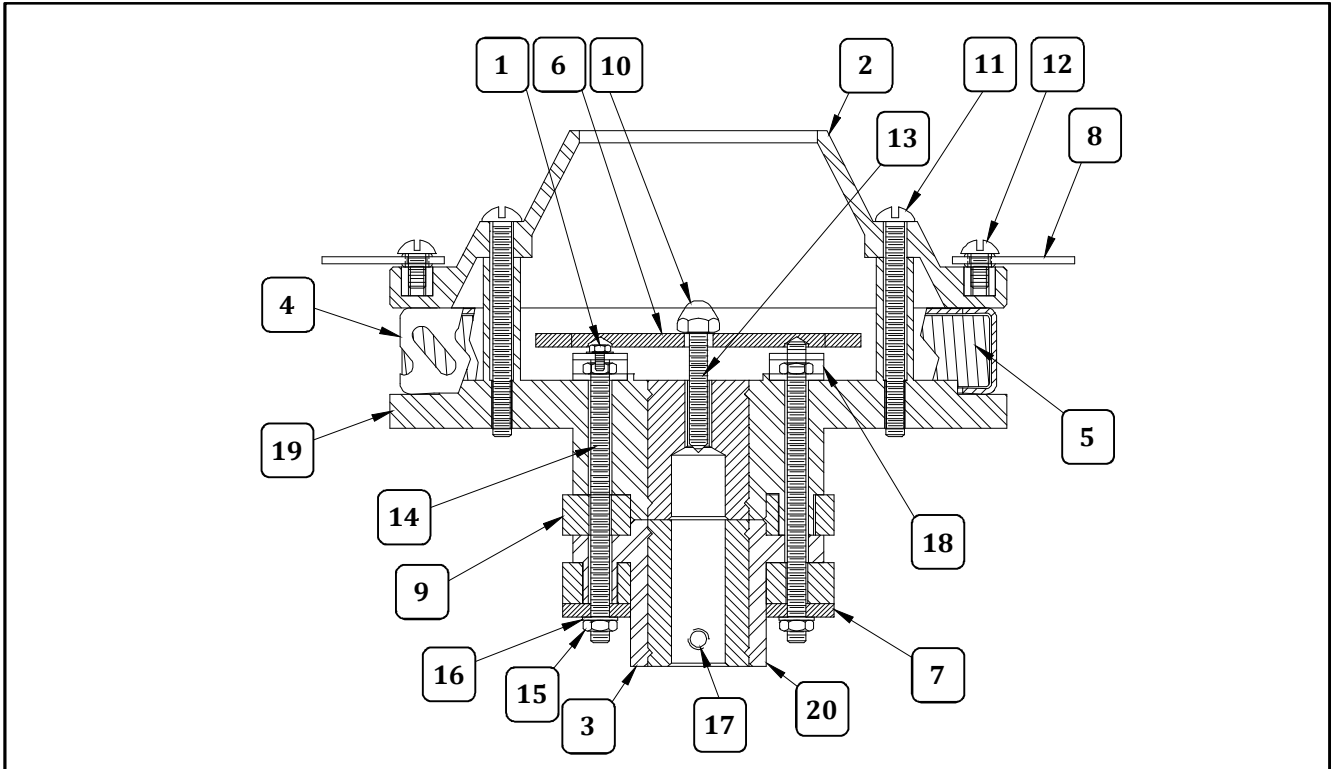
# Floss Machine Head Assembly



Item	Part Description	Qty.	Part Number	
			3024	3024EX
	SPINNER HEAD COMPLETE	1	42283	42283EX
1	8-32 x 1/4 HX HD WHIZLOCK	2	42045	42045
2	HIGH CAPACITY SPINNER CAP	1	43166	43166
3	SPINNER HEAD BOTTOM ONLY	1	42284	42284
4	5 1/2" FLOSS BAND	1	43165	43165
5	5 IN RIBBON ASSY 11 OHMS	1	42251	
	5 IN RIBBON ASSY 130V	1		42370
6	PHENOLIC TERMINAL GUARD	1	42162	42162
7	BOTTOM PHENOLIC WASHER	1	20054	20054
8	LEATHER FLOATER	2	20010	20010
9	SLIP RING 3/8 IN	2	42126	42126
10	ACORN NUT NYLON 1/4-20	1	48041	48041
11	10-24 X 2 PHIL PAN M/S	4	42041	42041
12	SCREW 8-32X5/8 PH PAN MS	2	42192	42192
13	SET SCREW 1/4-20 X 2	1	42311	42311
14	SLIP RING STUDS	2	42127	42127
15	HEX NUT 10-32 ZINC PLATED	2	74143	74143
16	#10 INTERNAL TOOTH WASHER	2	12573	12573
17	SET SCREW 1/4-20 X 3/8	1	74125	74125
18	TERMINAL ASSEMBLY	2	42305	42305
19	UPPER SPINNER HEAD	1	42437	42437
20	LOWER SPINNER HEAD 1/2	1	42281	42281



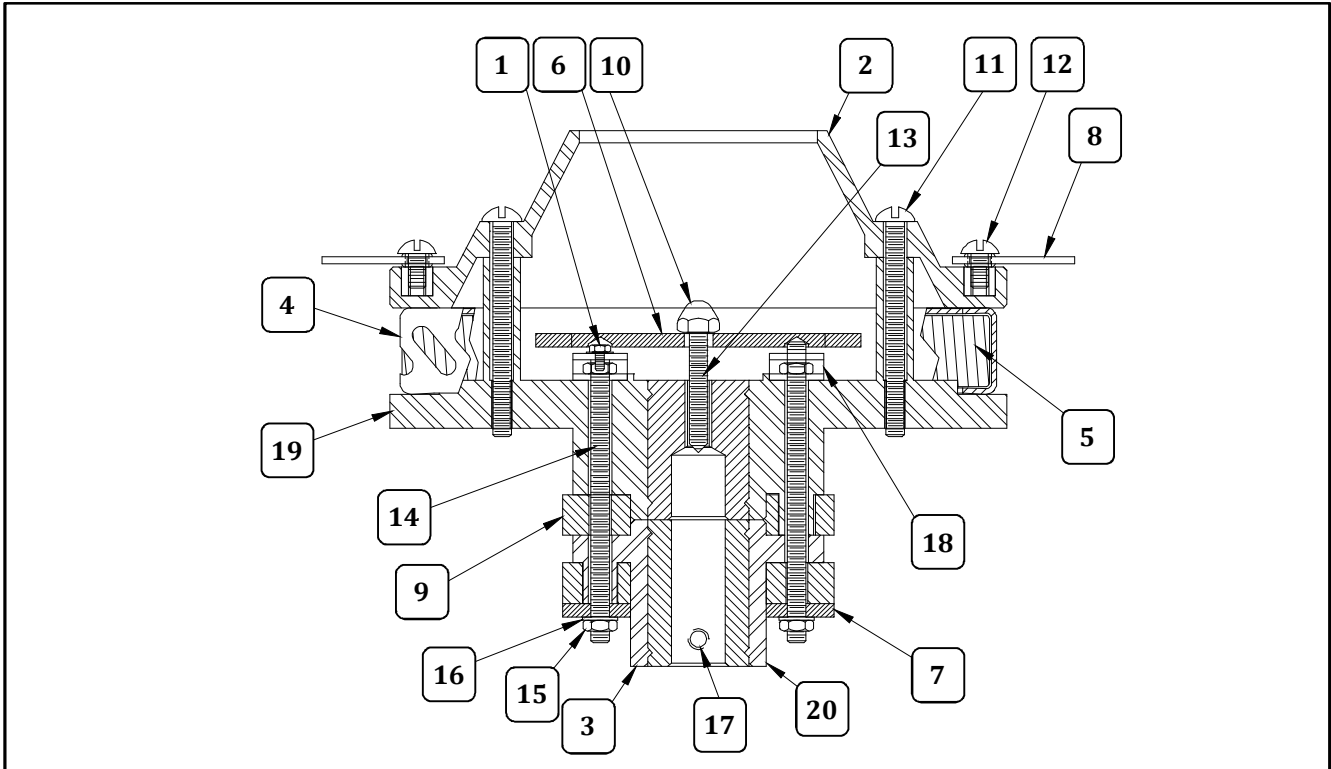
# Floss Machine Head Assembly



Item	Part Description	Qty.	Part Number	
			3024	3024EX
	SPINNER HEAD COMPLETE	1	42283	42283EX
1	8-32 x 1/4 HX HD WHIZLOCK	2	42045	42045
2	HIGH CAPACITY SPINNER CAP	1	43166	43166
3	SPINNER HEAD BOTTOM ONLY	1	42284	42284
4	5 1/2" FLOSS BAND	1	43165	43165
5	5 IN RIBBON ASSY 11 OHMS	1	42251	
	5 IN RIBBON ASSY 130V	1		42370
6	PHENOLIC TERMINAL GUARD	1	42162	42162
7	BOTTOM PHENOLIC WASHER	1	20054	20054
8	LEATHER FLOATER	2	20010	20010
9	SLIP RING 3/8 IN	2	42126	42126
10	ACORN NUT NYLON 1/4-20	1	48041	48041
11	10-24 X 2 PHIL PAN M/S	4	42041	42041
12	SCREW 8-32X5/8 PH PAN MS	2	42192	42192
13	SET SCREW 1/4-20 X 2	1	42311	42311
14	SLIP RING STUDS	2	42127	42127
15	HEX NUT 10-32 ZINC PLATED	2	74143	74143
16	#10 INTERNAL TOOTH WASHER	2	12573	12573
17	SET SCREW 1/4-20 X 3/8	1	74125	74125
18	TERMINAL ASSEMBLY	2	42305	42305
19	UPPER SPINNER HEAD	1	42437	42437
20	LOWER SPINNER HEAD 1/2	1	42281	42281



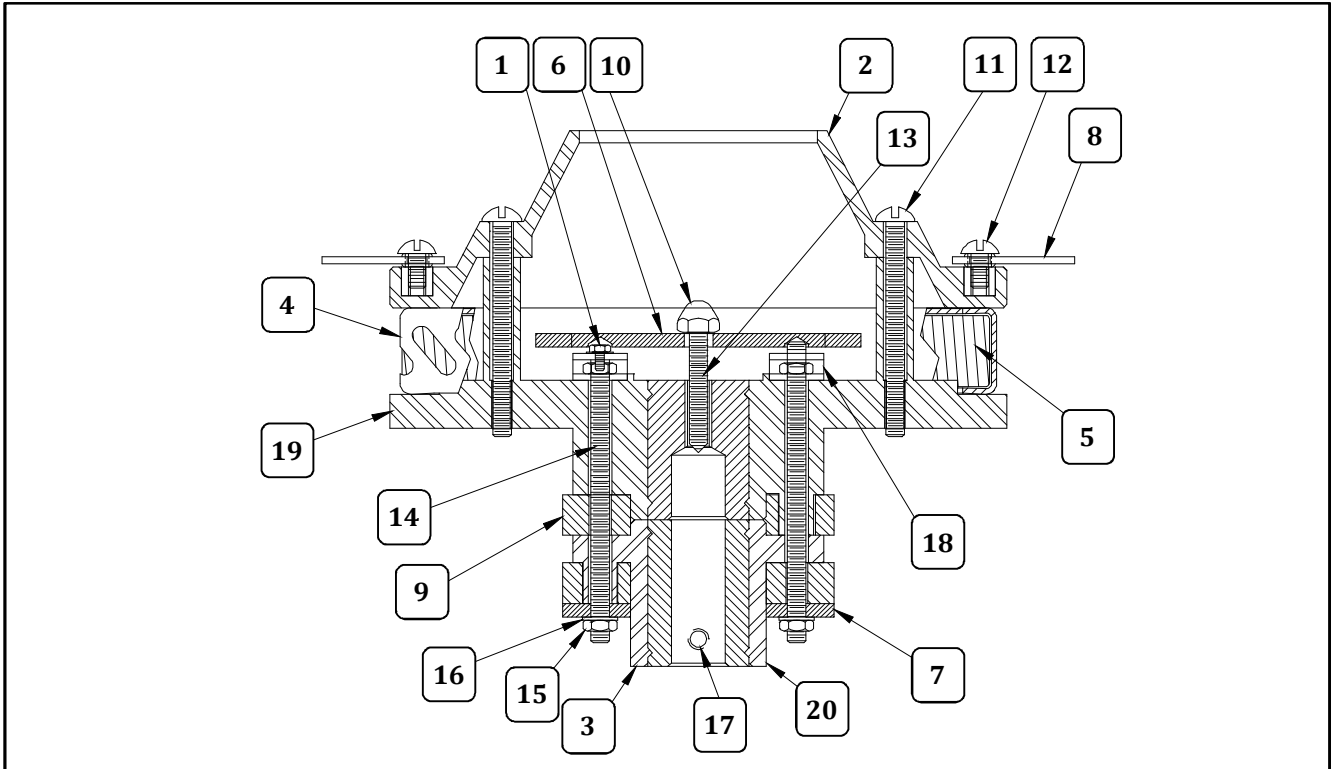
# Floss Machine Head Assembly



Item	Part Description	Qty.	Part Number	
			3024	3024EX
	SPINNER HEAD COMPLETE	1	42283	42283EX
1	8-32 x 1/4 HX HD WHIZLOCK	2	42045	42045
2	HIGH CAPACITY SPINNER CAP	1	43166	43166
3	SPINNER HEAD BOTTOM ONLY	1	42284	42284
4	5 1/2" FLOSS BAND	1	43165	43165
5	5 IN RIBBON ASSY 11 OHMS	1	42251	
	5 IN RIBBON ASSY 130V	1		42370
6	PHENOLIC TERMINAL GUARD	1	42162	42162
7	BOTTOM PHENOLIC WASHER	1	20054	20054
8	LEATHER FLOATER	2	20010	20010
9	SLIP RING 3/8 IN	2	42126	42126
10	ACORN NUT NYLON 1/4-20	1	48041	48041
11	10-24 X 2 PHIL PAN M/S	4	42041	42041
12	SCREW 8-32X5/8 PH PAN MS	2	42192	42192
13	SET SCREW 1/4-20 X 2	1	42311	42311
14	SLIP RING STUDS	2	42127	42127
15	HEX NUT 10-32 ZINC PLATED	2	74143	74143
16	#10 INTERNAL TOOTH WASHER	2	12573	12573
17	SET SCREW 1/4-20 X 3/8	1	74125	74125
18	TERMINAL ASSEMBLY	2	42305	42305
19	UPPER SPINNER HEAD	1	42437	42437
20	LOWER SPINNER HEAD 1/2	1	42281	42281



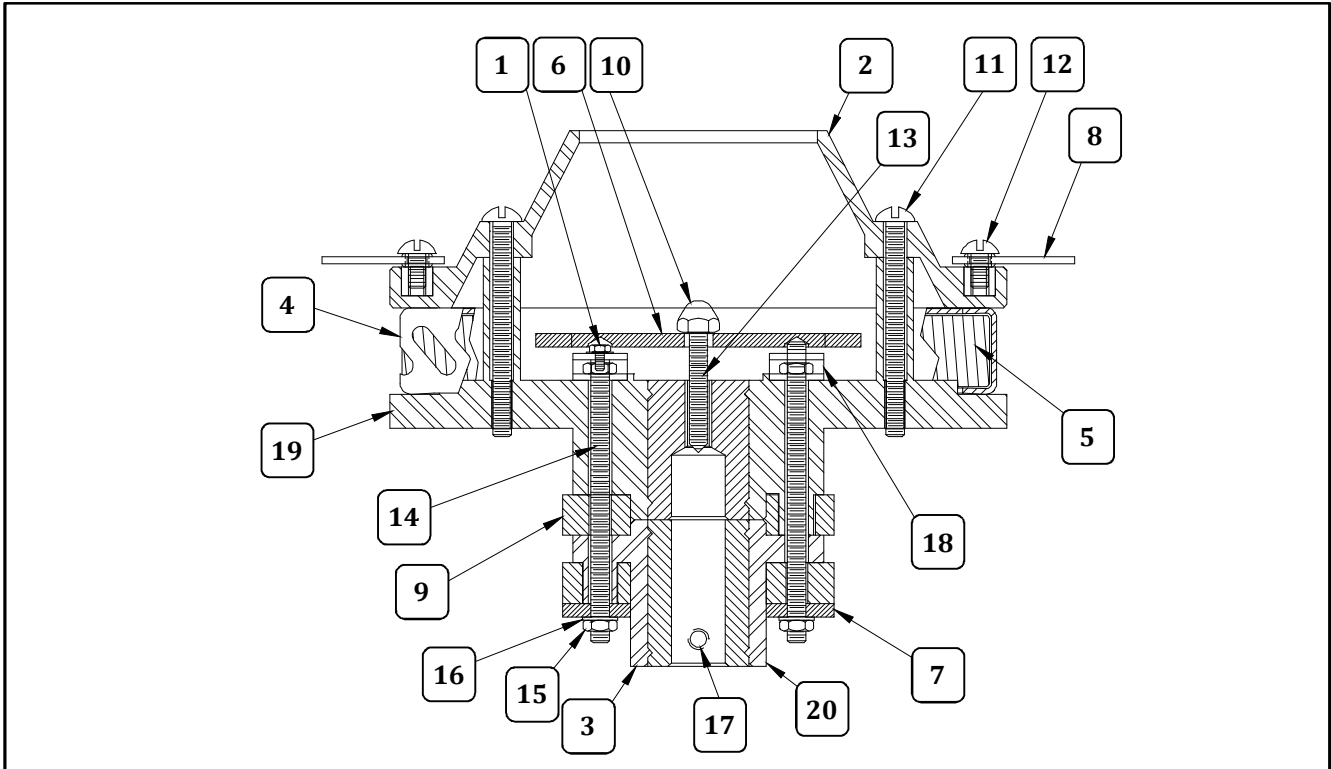
## Floss Machine Head Assembly



Item	Part Description	Qty.	Part Number	
			3024	3024EX
	SPINNER HEAD COMPLETE	1	<a href="#">42283</a>	<a href="#">42283EX</a>
1	8-32 x 1/4 HX HD WHIZLOCK	2	<a href="#">42045</a>	<a href="#">42045</a>
2	HIGH CAPACITY SPINNER CAP	1	<a href="#">43166</a>	<a href="#">43166</a>
3	SPINNER HEAD BOTTOM ONLY	1	<a href="#">42284</a>	<a href="#">42284</a>
4	5 1/2" FLOSS BAND	1	<a href="#">43165</a>	<a href="#">43165</a>
5	5 IN RIBBON ASSY 11 OHMS	1	<a href="#">42251</a>	
	5 IN RIBBON ASSY 130V	1		<a href="#">42370</a>
6	PHENOLIC TERMINAL GUARD	1	<a href="#">42162</a>	<a href="#">42162</a>
7	BOTTOM PHENOLIC WASHER	1	<a href="#">20054</a>	<a href="#">20054</a>
8	LEATHER FLOATER	2	<a href="#">20010</a>	<a href="#">20010</a>
9	SLIP RING 3/8 IN	2	<a href="#">42126</a>	<a href="#">42126</a>
10	ACORN NUT NYLON 1/4-20	1	<a href="#">48041</a>	<a href="#">48041</a>
11	10-24 X 2 PHIL PAN M/S	4	<a href="#">42041</a>	<a href="#">42041</a>
12	SCREW 8-32X5/8 PH PAN MS	2	<a href="#">42192</a>	<a href="#">42192</a>
13	SET SCREW 1/4-20 X 2	1	<a href="#">42311</a>	<a href="#">42311</a>
14	SLIP RING STUDS	2	<a href="#">42127</a>	<a href="#">42127</a>
15	HEX NUT 10-32 ZINC PLATED	2	<a href="#">74143</a>	<a href="#">74143</a>
16	#10 INTERNAL TOOTH WASHER	2	<a href="#">12573</a>	<a href="#">12573</a>
17	SET SCREW 1/4-20 X 3/8	1	<a href="#">74125</a>	<a href="#">74125</a>
18	TERMINAL ASSEMBLY	2	<a href="#">42305</a>	<a href="#">42305</a>
19	UPPER SPINNER HEAD	1	<a href="#">42437</a>	<a href="#">42437</a>
20	LOWER SPINNER HEAD 1/2	1	<a href="#">42281</a>	<a href="#">42281</a>



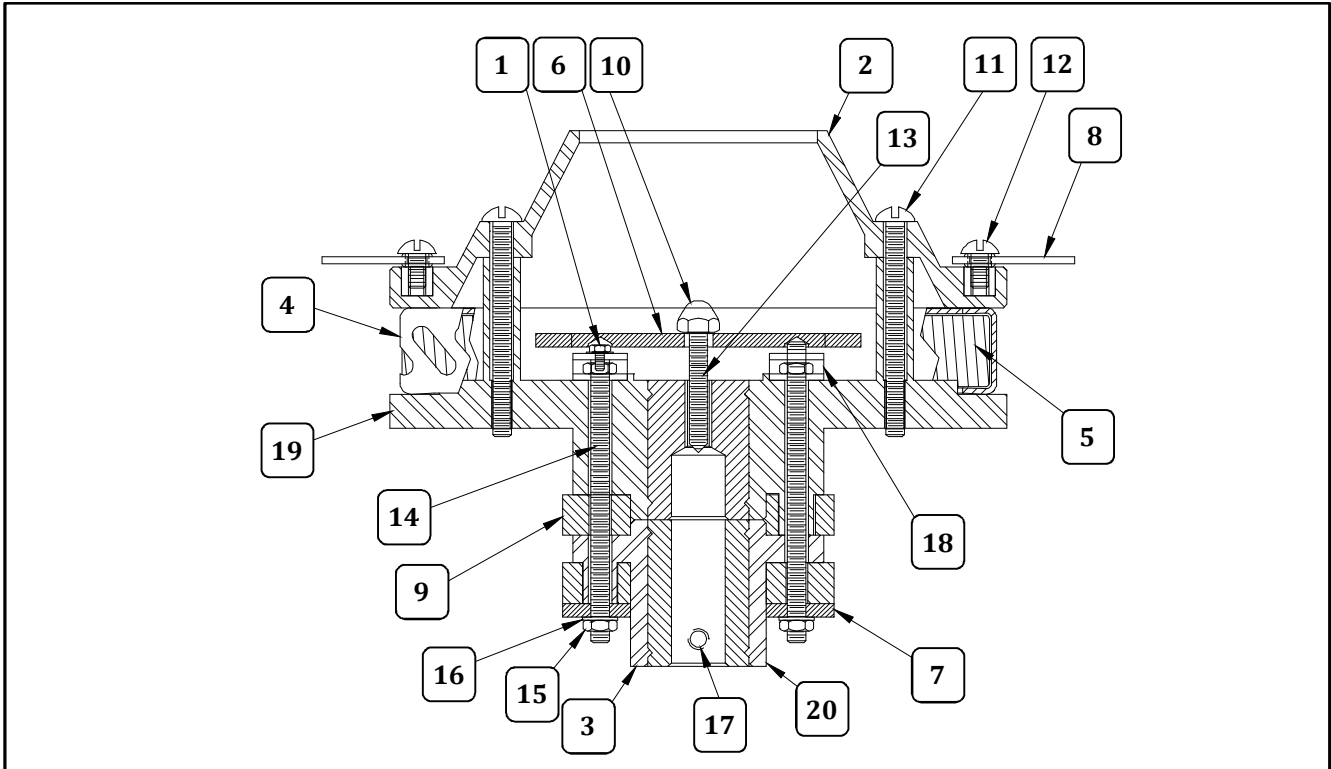
## Floss Machine Head Assembly



Item	Part Description	Qty.	Part Number	
			3024	3024EX
	SPINNER HEAD COMPLETE	1	42283	42283EX
1	8-32 x 1/4 HX HD WHIZLOCK	2	42045	42045
2	HIGH CAPACITY SPINNER CAP	1	43166	43166
3	SPINNER HEAD BOTTOM ONLY	1	42284	42284
4	5 1/2" FLOSS BAND	1	43165	43165
5	5 IN RIBBON ASSY 11 OHMS	1	42251	
	5 IN RIBBON ASSY 130V	1		42370
6	PHENOLIC TERMINAL GUARD	1	42162	42162
7	BOTTOM PHENOLIC WASHER	1	20054	20054
8	LEATHER FLOATER	2	20010	20010
9	SLIP RING 3/8 IN	2	42126	42126
10	ACORN NUT NYLON 1/4-20	1	48041	48041
11	10-24 X 2 PHIL PAN M/S	4	42041	42041
12	SCREW 8-32X5/8 PH PAN MS	2	42192	42192
13	SET SCREW 1/4-20 X 2	1	42311	42311
14	SLIP RING STUDS	2	42127	42127
15	HEX NUT 10-32 ZINC PLATED	2	74143	74143
16	#10 INTERNAL TOOTH WASHER	2	12573	12573
17	SET SCREW 1/4-20 X 3/8	1	74125	74125
18	TERMINAL ASSEMBLY	2	42305	42305
19	UPPER SPINNER HEAD	1	42437	42437
20	LOWER SPINNER HEAD 1/2	1	42281	42281



## Floss Machine Head Assembly



Item	Part Description	Qty.	Part Number	
			3024	3024EX
	SPINNER HEAD COMPLETE	1	42283	42283EX
1	8-32 x 1/4 HX HD WHIZLOCK	2	42045	42045
2	HIGH CAPACITY SPINNER CAP	1	43166	43166
3	SPINNER HEAD BOTTOM ONLY	1	42284	42284
4	5 1/2" FLOSS BAND	1	43165	43165
5	5 IN RIBBON ASSY 11 OHMS	1	42251	
	5 IN RIBBON ASSY 130V	1		42370
6	PHENOLIC TERMINAL GUARD	1	42162	42162
7	BOTTOM PHENOLIC WASHER	1	20054	20054
8	LEATHER FLOATER	2	20010	20010
9	SLIP RING 3/8 IN	2	42126	42126
10	ACORN NUT NYLON 1/4-20	1	48041	48041
11	10-24 X 2 PHIL PAN M/S	4	42041	42041
12	SCREW 8-32X5/8 PH PAN MS	2	42192	42192
13	SET SCREW 1/4-20 X 2	1	42311	42311
14	SLIP RING STUDS	2	42127	42127
15	HEX NUT 10-32 ZINC PLATED	2	74143	74143
16	#10 INTERNAL TOOTH WASHER	2	12573	12573
17	SET SCREW 1/4-20 X 3/8	1	74125	74125
18	TERMINAL ASSEMBLY	2	42305	42305
19	UPPER SPINNER HEAD	1	42437	42437
20	LOWER SPINNER HEAD 1/2	1	42281	42281