

Reddy Apple Cooker







Instruction Manual

Models: 4008, 4008EX, 4016 and 4016EX



 **GOLD MEDAL**[®]
FUNFOOD EQUIPMENT & SUPPLIES
Cincinnati, OH 45241-4807 USA

Safety Precautions

	<p style="text-align: center;">⚠ DANGER</p> <p>Machine must be properly grounded to prevent electrical shock to personnel. Do NOT immerse the equipment in water.</p> <p>Always unplug the equipment before cleaning or servicing.</p>
	<p style="text-align: center;">⚠ WARNING</p> <p>NEVER put your fingers or any object into the heating area. We do NOT assume any liability for injury due to careless handling or operation of this equipment.</p>
	<p style="text-align: center;">⚠ WARNING</p> <p>ALWAYS wear safety glasses when servicing this equipment.</p>
	<p style="text-align: center;">⚠ WARNING</p> <p>Any alterations to this equipment will void the warranty and may cause a dangerous situation. NEVER make alterations to the equipment. Make sure all machine switches are in the off position before plugging the equipment into the receptacle.</p>
	<p style="text-align: center;">⚠ CAUTION</p> <p>Do NOT allow direct contact with this equipment and the general public when used in food service locations. Only personnel that are trained and familiar with the equipment should operate the equipment. Carefully read all installation instructions before operation.</p>
	<p style="text-align: center;">⚠ CAUTION</p> <p>This machine is NOT to be operated by minors. Minors are classified as anyone under the age of 18.</p>

NOTE

Improvements are always being made to Gold Medal Products equipment. This information may not be the latest available for your purposes. It is critical that you call Gold Medal Products technical service department at 1-800-543-0862 for any questions about machine operations, replacement parts, or any service questions.

Installation Instructions

Inspection of Shipment:

Unpack all cartons and check thoroughly for any damage that may have occurred during transit. Damage claims should be filed immediately with the transportation company. Gold Medal Products is not responsible for damage that occurs in transit.

Setup:

Your Reddy Apple Cooker was assembled and tested at the factory. Remove all packing material and tape before starting operation.

Electrical Requirements:

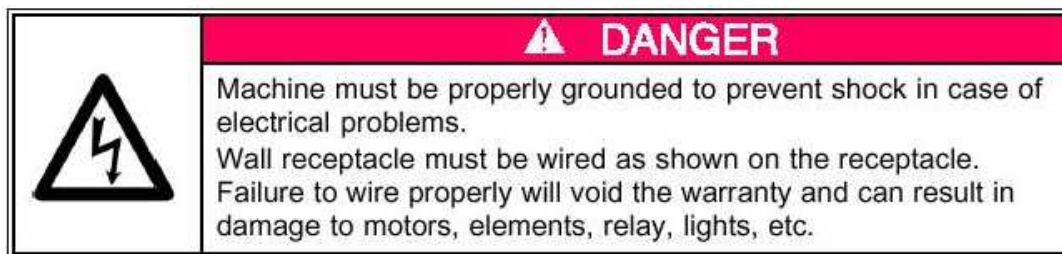
The following power supply must be provided:

Model # 4008: 120 Volt, 60 Cycle, 1515 Watts, 12.5 Amps

Model # 4016: 120 Volt, 60 Cycle, 1800 Watts, 15 Amps

Model # 4008 EX: 230 Volt, 50 Cycle, 1500 Watts, 6.5 Amps

Model # 4016 EX: 230 Volt, 50 Cycle, 1800 Watts, 7.8 amps



Your electrician must furnish sufficient power for proper machine operation. We recommend this Cooker be on a dedicated and circuit protected line. Failure to wire properly will void the warranty and may result in damage to the machine.

It is Gold Medal Products Company's recommendation that this machine be plugged directly into a wall outlet. The use of extension cords is not recommended due to safety concerns, and may cause sacrificed and/or reduced performance.

Before You Plug In Machine:

1. Make sure the wall outlet can accept the grounded plugs (where applicable) on the power supply cord.
2. The wall outlet must have the proper polarity. If in doubt, have a competent electrician inspect the outlet and correct if necessary.
3. **DO NOT** use a grounded to un-grounded receptacle adapter.

Cooking Instructions

Model #4008:




1. Plug the unit into an appropriate 120 (or 230 for export) Volt outlet.
2. Mix one package of Gold Medal Reddy Apple Mix (Catalog #4146) and 6 ounces of water into the Reddy Apple Cooker pot. Stir the mix until it is completely saturated with water.
3. Turn the knob clockwise to the setting marked "HIGH". The knob should fall into position when engaged.
4. Insert a Gold Medal Thermometer (Catalog #4300) into the mixture.
5. Stir the mixture occasionally until the mix begins to boil rapidly. Once the candy boils rapidly, no further mixing will be necessary. Now you can begin to prepare your apples using Gold Medal candy apple sticks by inserting them into the top of the apples. –Item #4006 Setter Sticker may be desired for this process.
NOTE: Apples must be dry and room temperature for candy to stick properly.
 - Item #4165 Apple Prep can be used to remove the wax/shellac from the apples.
6. After 20 minutes, the candy mixture should reach 290°F. Turn the unit "OFF" once this temperature has been attained.
7. Holding the prepared apples by the stick, dip them into candy mixture, twisting until completely covered. Place the coated apples onto a clean flat surface. Do not let apples touch one another or they will stick together. Once you are finished dipping your apples, while using pot holders, pour the remainder of the mix onto a flat cookie sheet so it can harden and be broken into pieces.
8. Using oven mitts or pot holders return the Reddy Apple Cooker pot into the well.
9. **To Clean:** Pour approximately 2 cups of water in the Reddy Apple Cooker pot. Cover the pot with the Steam-n-clean lid and turn the unit to "HI". Allow the water to boil so the steam will clean the inside of the pot.
10. Turn the unit "OFF", and let the water cool for 1 hour. Finally, using oven mitts or pot holders empty the pot.


Model #4016:

1. Plug the unit into an appropriate 120 (or 230 for export) Volt outlet.
2. Mix two packages of Gold Medal Reddy Apple Mix (Catalog #4146) and 12 ounces of water into the Reddy apple cooker pot. Stir the mix until it is completely saturated with water. Or use Gold Medal's APPL-EZ, following the instructions on the bag.
3. Turn the knob clockwise to the setting marked "HIGH". The knob should fall into Position when engaged.
4. Insert a Gold Medal Thermometer (Catalog #4300) into the mixture.
5. Stir the mixture occasionally until the mix begins to boil rapidly. Once the candy boils rapidly, no further mixing will be necessary. Now you can begin to prepare apples using Gold Medal candy apple sticks, by inserting the sticks into the top of the apples. – Item #4006 Setter Sticker may be desired for this process.
NOTE: Apples must be dry and room temperature for the candy to stick properly. – Item #4165 Apple Prep can be used to remove the wax/shellac from the apples.
6. After 20 minutes, the candy mixture should reach 290°F. Turn the unit "OFF" once this temperature has been reached.
7. Holding the prepared apples by the stick, dip them into candy mixture, twisting until completely covered. Place the coated apples onto a clean flat surface. Do not let apples touch one another or they will stick together. Once you are finished dipping your apples, while using pot holders, pour the remainder of the mix onto a flat cookie sheet so it can harden and be broken into pieces.
8. Using oven mitts or pot holders return the Apple Cooker pot into the well.
9. **To Clean:** Pour approximately 2 cups of water in the Reddy Apple Cooker pot. Cover the pot with the Steam-n-clean lid and turn the unit to "HI". Allow the water to boil so the steam will clean the inside of the pot.
10. Turn the unit "OFF" and let the water cool for 1 hour. Finally, using oven mitts or pot holders empty the pot.

MAINTENANCE INSTRUCTIONS

	⚠ CAUTION
	THE FOLLOWING SECTIONS OF THIS MANUAL ARE INTENDED ONLY FOR QUALIFIED SERVICE PERSONNEL WHO ARE FAMILIAR WITH ELECTRICAL EQUIPMENT. THESE ARE NOT INTENDED FOR THE OPERATOR.

	⚠ WARNING
	Adequate eye protection must be used when servicing this equipment to prevent the possibility of injury.

	⚠ DANGER
	Do NOT immerse the equipment in water. Unplug your machine before servicing.

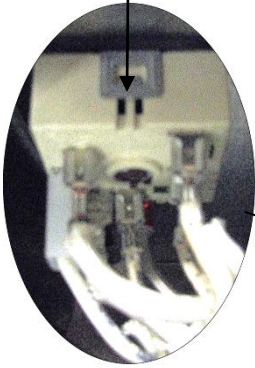
Ordering Spare Parts

1. Identify the desired part by checking it against the photos, illustrations, and/or the parts list.
2. When ordering, please include part number, part name, and quantity desired.
3. Please include your model name and machine serial number (located on the machine nameplate) with your order.
4. Address all parts orders to:

Parts Department
Gold Medal Products Co.
10700 Medallion Drive
Cincinnati, Ohio 45241-4807
or, place orders at:
(513) 769-7676
Fax: (513) 769-8500
E-mail: goldme19@eos.net

Parts – Apple Cooker Pot

Heat Control
P/N 87048
(EX) Heat Control 240v
P/N 87301



Lead-In Cord, 15 amp Plug
P/N 87085
(EX) Power Supply Cord
P/N 42369



Knob, Heat Control
P/N 87049

Pilot Light, 125v - Red
P/N 41033
(EX) Pilot Light, 240v - Red
P/N 41032

Heat Element, 120v
(4008) 1500 Watts
P/N 38235
(4016) 1800 Watts
P/N 38310

(4008EX) Heat Element, 220v 1500 Watts
P/N 38257
(4016EX) Heat Element, 230v 1800 Watts
P/N 38317

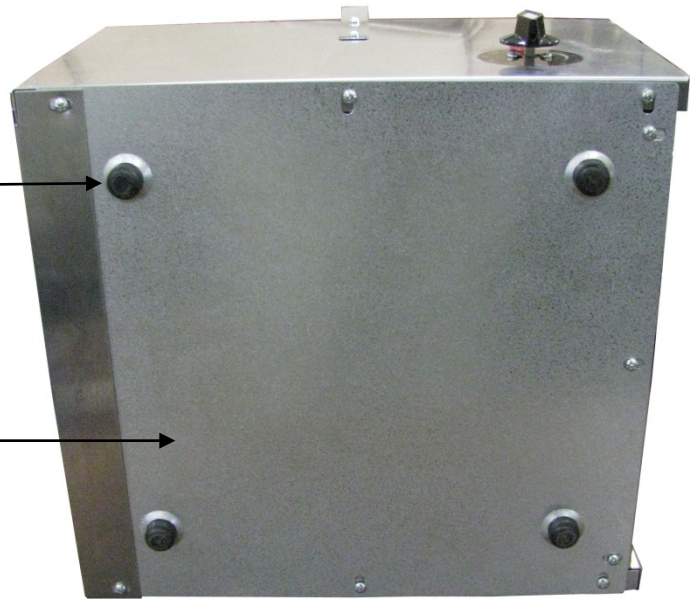
(On Underside of the Well Body)
High Limit Thermostat
P/N 76288



Parts - Apple Cooker Pot (cont.)

Rubber Feet (x4)
P/N 87247

Bottom Plate
P/N 38176



Paper Sign
P/N 38329
Sign Cover Lexan
P/N 38105
Sign Cover Acrylic
P/N 38106
Light Bulb – Clear (x2)
P/N 47422

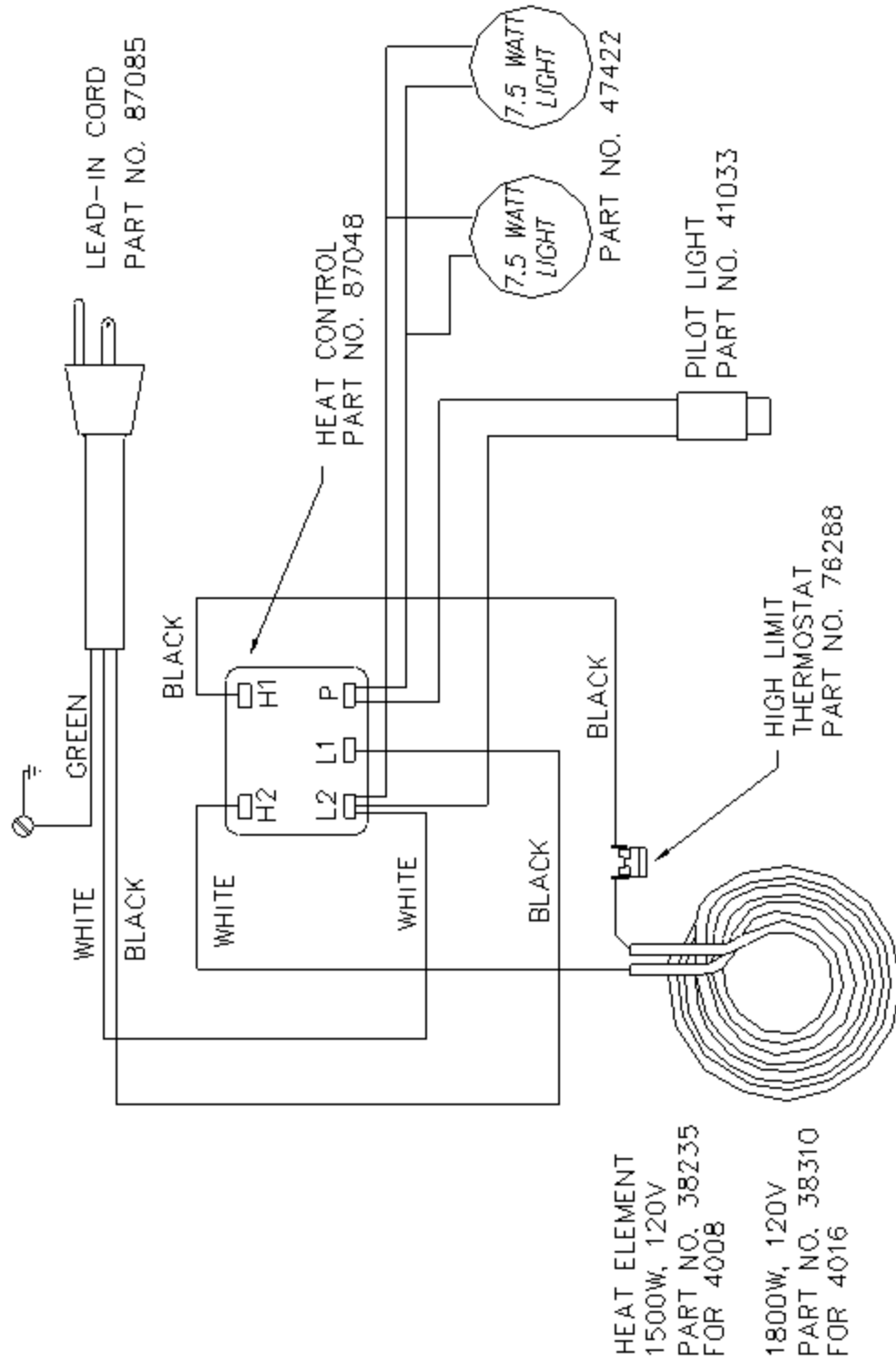
*Not Available on
4008EX

Pot, Apple Cooker
P/N 38236
Steam N Clean Lid
P/N 38314

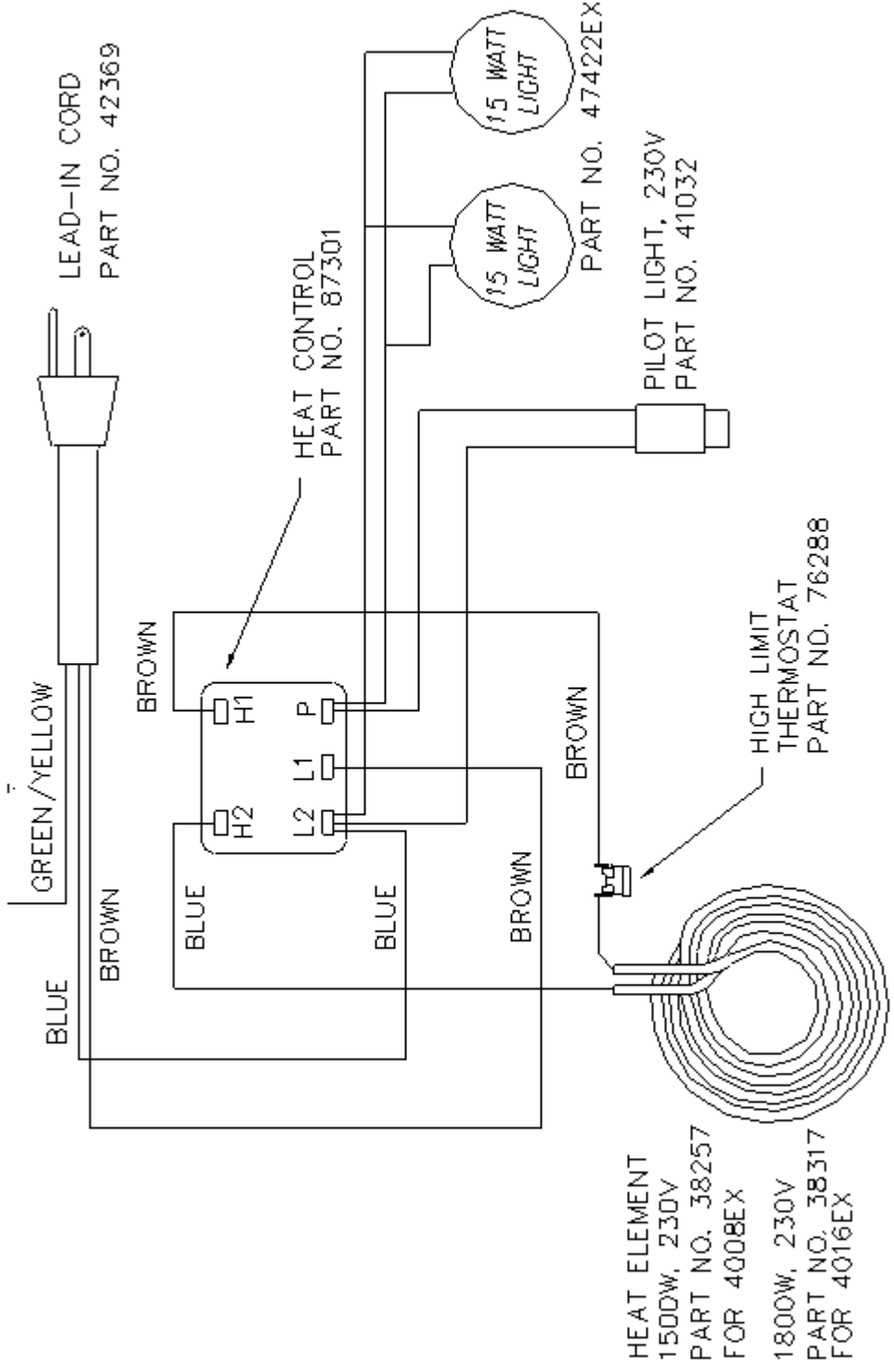


Parts Not Shown:
Insulation Blanket
P/N 38220
Bottom Insulation
38188

Electrical Schematic (Domestic)



Electrical Schematic (Export)



WARRANTY

WE WARRANT to the original purchaser the Gold Medal equipment sold by us to be free from defects in material or workmanship under normal use and service. Our obligation under this warranty shall be limited to the repair or replacement of any defective part for a period of six (6) months from the date of sale to the Original Purchaser with regard to labor and two (2) years with regard to parts and does not cover damage to the equipment caused by accident, alteration, improper use, voltage, abuse, or failure to follow instructions.

THIS WARRANTY IS IN LIEU OF ALL OTHER WARRANTIES EXPRESSED OR IMPLIED, AND OF ALL OTHER OBLIGATIONS OR LIABILITIES ON OUR PART, INCLUDING THE IMPLIED WARRANTY OF MERCHANTABILITY. THERE ARE NO WARRANTIES WHICH EXTEND BEYOND THE DESCRIPTION ON THE FACE HEREOF. We neither assume, nor authorize any other person to assume for us, any other obligation or liability in connection with the sale of said GOLD MEDAL equipment or any part thereof.

The term "Original Purchaser" as used in this warranty shall be deemed to mean that person, firm, association, or corporation who was billed by the GOLD MEDAL PRODUCTS COMPANY, or their authorized distributor for the equipment.

THIS WARRANTY HAS NO EFFECT AND IS VOID UNLESS THE ORIGINAL PURCHASER FIRST CALLS GOLD MEDAL PRODUCTS COMPANY AT 1-800-543-0862 TO DISCUSS WITH OUR SERVICE REPRESENTATIVE THE EQUIPMENT PROBLEM, AND, IF NECESSARY, FOR INSTRUCTIONS CONCERNING THE REPAIR OR REPLACEMENT OF PARTS.

NOTE: This equipment is manufactured and sold for commercial use only.



GOLD MEDAL PRODUCTS COMPANY
10700 Medallion Drive
Cincinnati, Ohio 45241-4807 USA