

# *Apple Hacker*

Part No. 38341  
Revised June 1996

Instruction Manual  
Model #4180



 **GOLD MEDAL**®

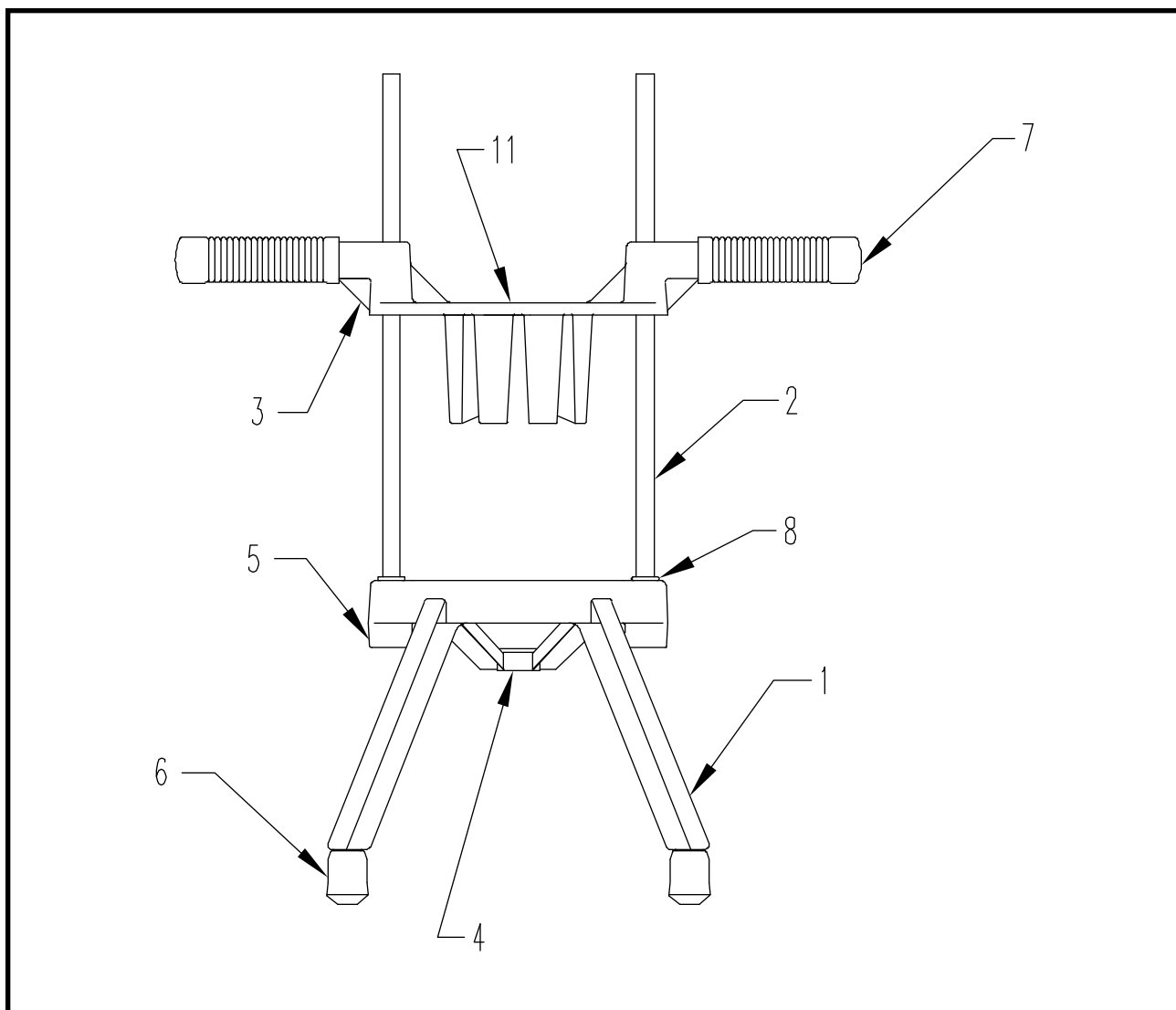
**FUNFOOD EQUIPMENT & SUPPLIES**

Cincinnati, OH 45241-4807 USA

## PARTS LIST – APPLE HACKER

Item No.	Part No.	Description	Quantity
1	38333	Stand	1
2	38334	Guide Rod	2
3	38335	Push Block	1
4	38336	Blade Assembly	1
5	14843	Dowel Pin	2
6	49123	Crutch Tip	4
7	46028	Grip, Handle Bar	2
8	38338	"O" Ring	2
9*	40195	Machine Screw #6-32 x 3/4"	2
10*	38337	Core Pin	1
11*	38323	Decal, Sharp Blades	1

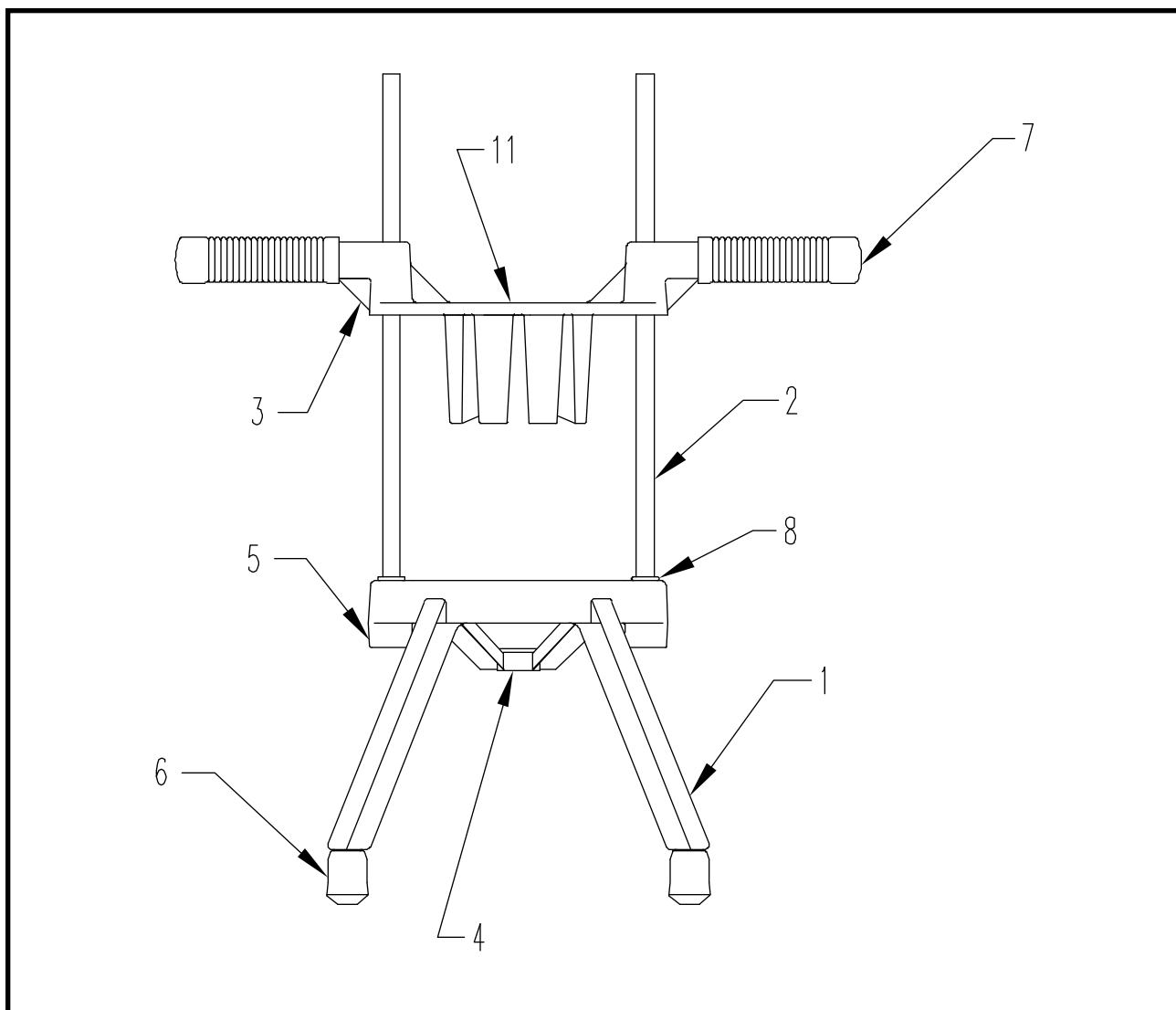
Assembly (P/N-38339) includes the Stand with the Guide Rods pinned in place.



## PARTS LIST – APPLE HACKER

Item No.	Part No.	Description	Quantity
1	38333	Stand	1
2	38334	Guide Rod	2
3	38335	Push Block	1
4	38336	Blade Assembly	1
5	14843	Dowel Pin	2
6	49123	Crutch Tip	4
7	46028	Grip, Handle Bar	2
8	38338	"O" Ring	2
9*	40195	Machine Screw #6-32 x 3/4"	2
10*	38337	Core Pin	1
11*	38323	Decal, Sharp Blades	1

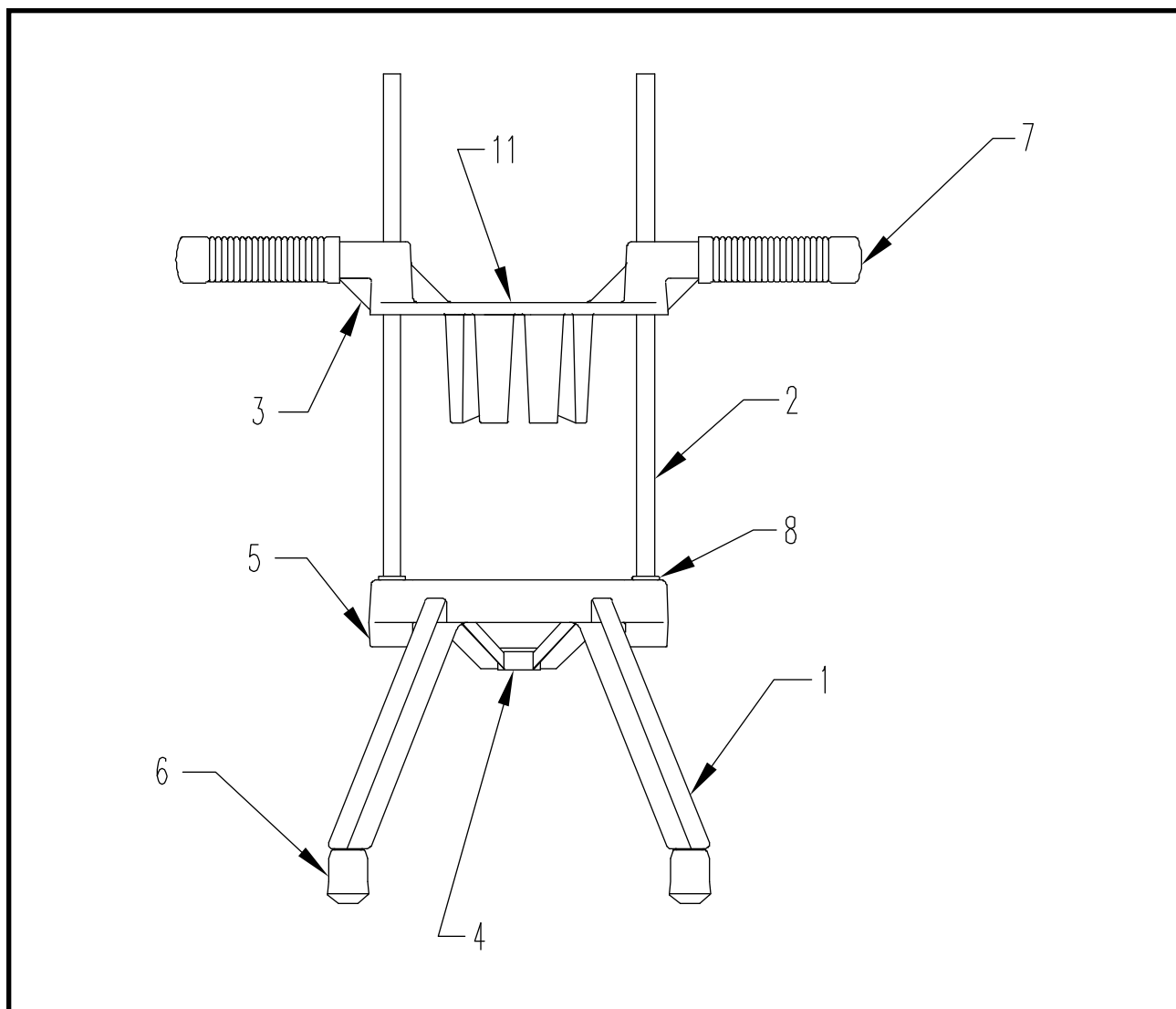
Assembly (P/N-38339) includes the Stand with the Guide Rods pinned in place.



## PARTS LIST – APPLE HACKER

Item No.	Part No.	Description	Quantity
1	38333	Stand	1
2	38334	Guide Rod	2
3	38335	Push Block	1
4	38336	Blade Assembly	1
5	14843	Dowel Pin	2
6	49123	Crutch Tip	4
7	46028	Grip, Handle Bar	2
8	38338	"O" Ring	2
9*	40195	Machine Screw #6-32 x 3/4"	2
10*	38337	Core Pin	1
11*	38323	Decal, Sharp Blades	1

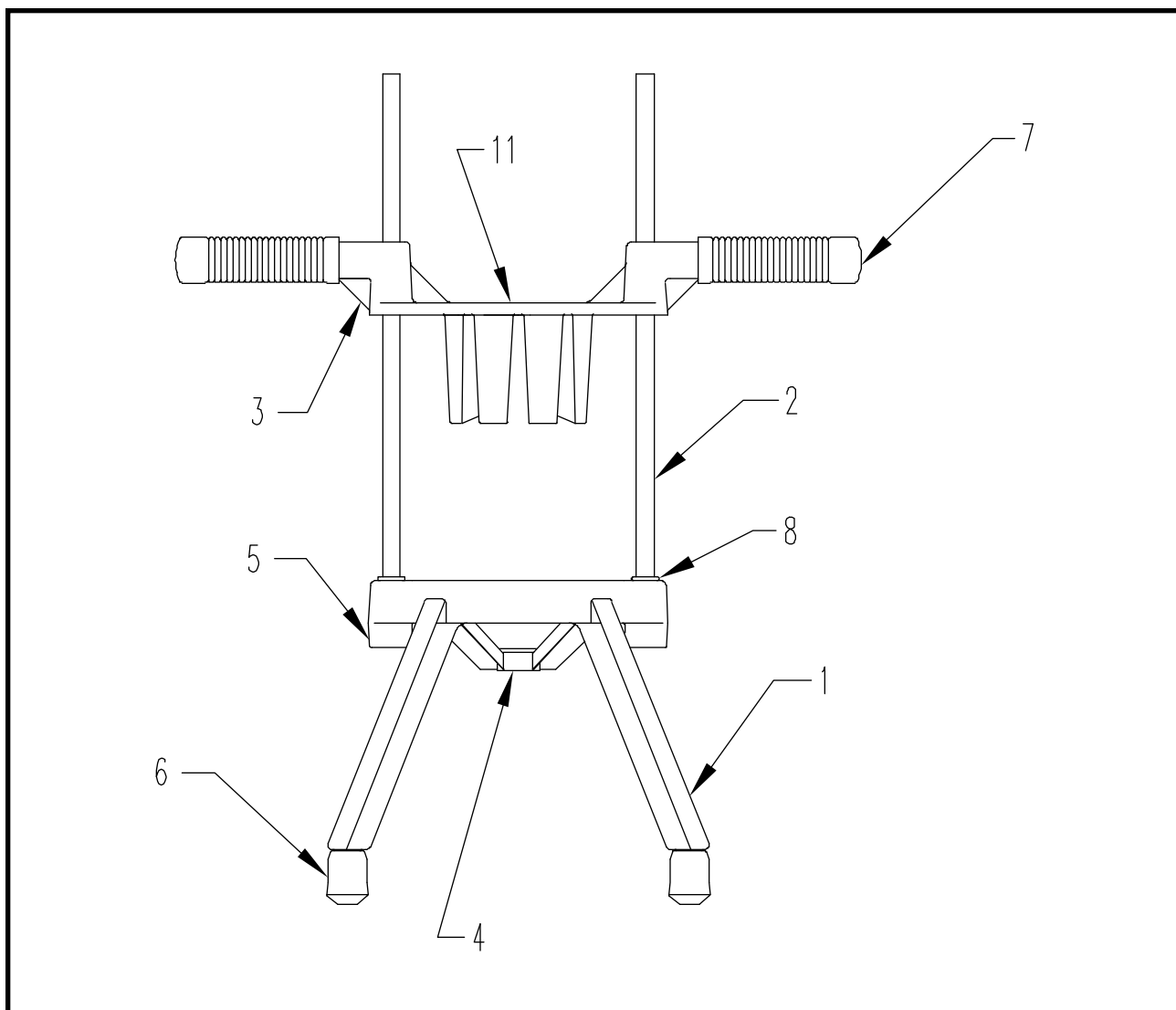
Assembly (P/N-38339) includes the Stand with the Guide Rods pinned in place.



## PARTS LIST – APPLE HACKER

Item No.	Part No.	Description	Quantity
1	38333	Stand	1
2	38334	Guide Rod	2
3	38335	Push Block	1
4	38336	Blade Assembly	1
5	14843	Dowel Pin	2
6	49123	Crutch Tip	4
7	46028	Grip, Handle Bar	2
8	38338	"O" Ring	2
9*	40195	Machine Screw #6-32 x 3/4"	2
10*	38337	Core Pin	1
11*	38323	Decal, Sharp Blades	1

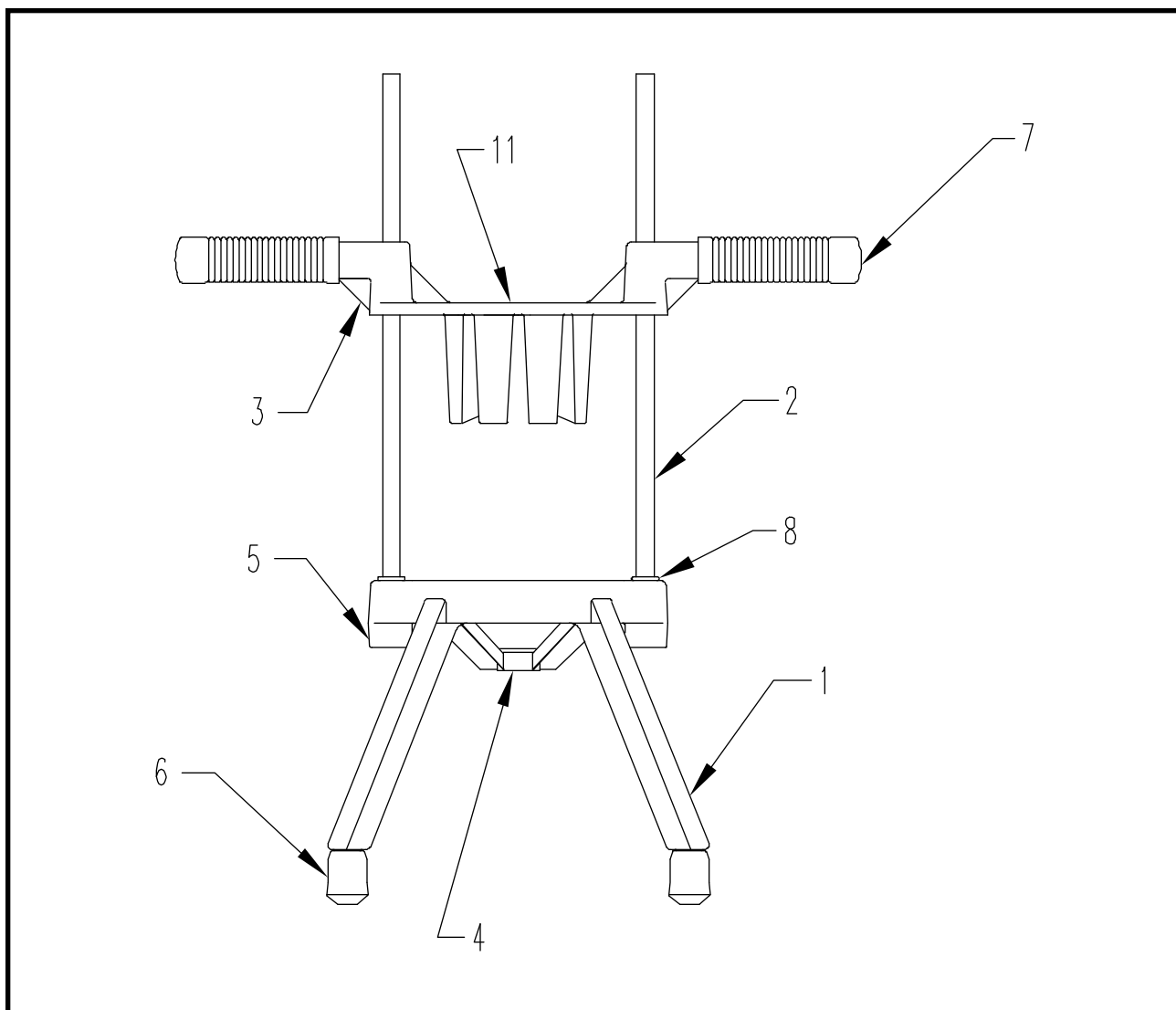
Assembly (P/N-38339) includes the Stand with the Guide Rods pinned in place.



## PARTS LIST – APPLE HACKER

Item No.	Part No.	Description	Quantity
1	38333	Stand	1
2	38334	Guide Rod	2
3	38335	Push Block	1
4	38336	Blade Assembly	1
5	14843	Dowel Pin	2
6	49123	Crutch Tip	4
7	46028	Grip, Handle Bar	2
8	38338	"O" Ring	2
9*	40195	Machine Screw #6-32 x 3/4"	2
10*	38337	Core Pin	1
11*	38323	Decal, Sharp Blades	1

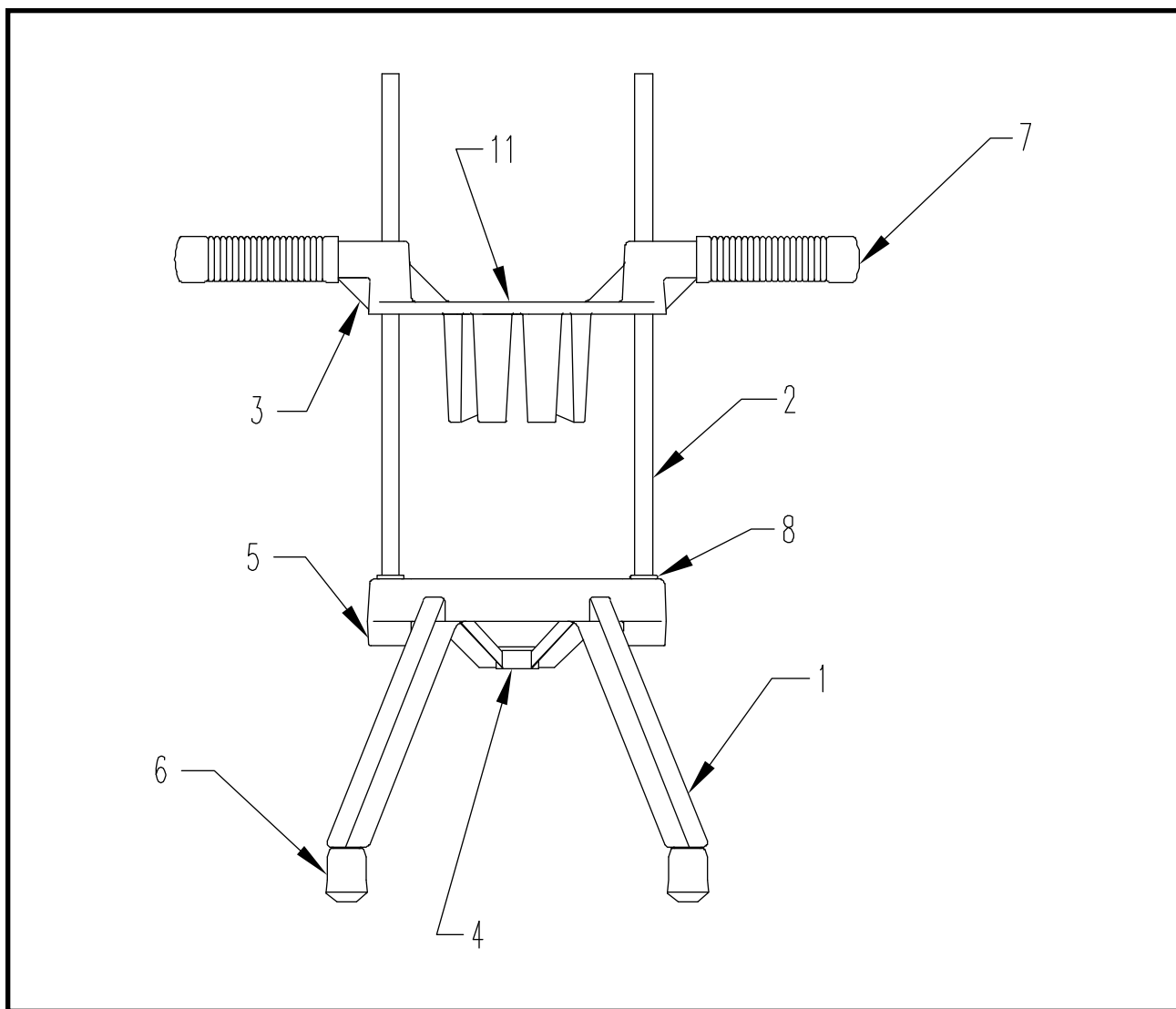
Assembly (P/N-38339) includes the Stand with the Guide Rods pinned in place.



## PARTS LIST – APPLE HACKER

Item No.	Part No.	Description	Quantity
1	38333	Stand	1
2	38334	Guide Rod	2
3	38335	Push Block	1
4	38336	Blade Assembly	1
5	14843	Dowel Pin	2
6	49123	Crutch Tip	4
7	46028	Grip, Handle Bar	2
8	38338	"O" Ring	2
9*	40195	Machine Screw #6-32 x 3/4"	2
10*	38337	Core Pin	1
11*	38323	Decal, Sharp Blades	1

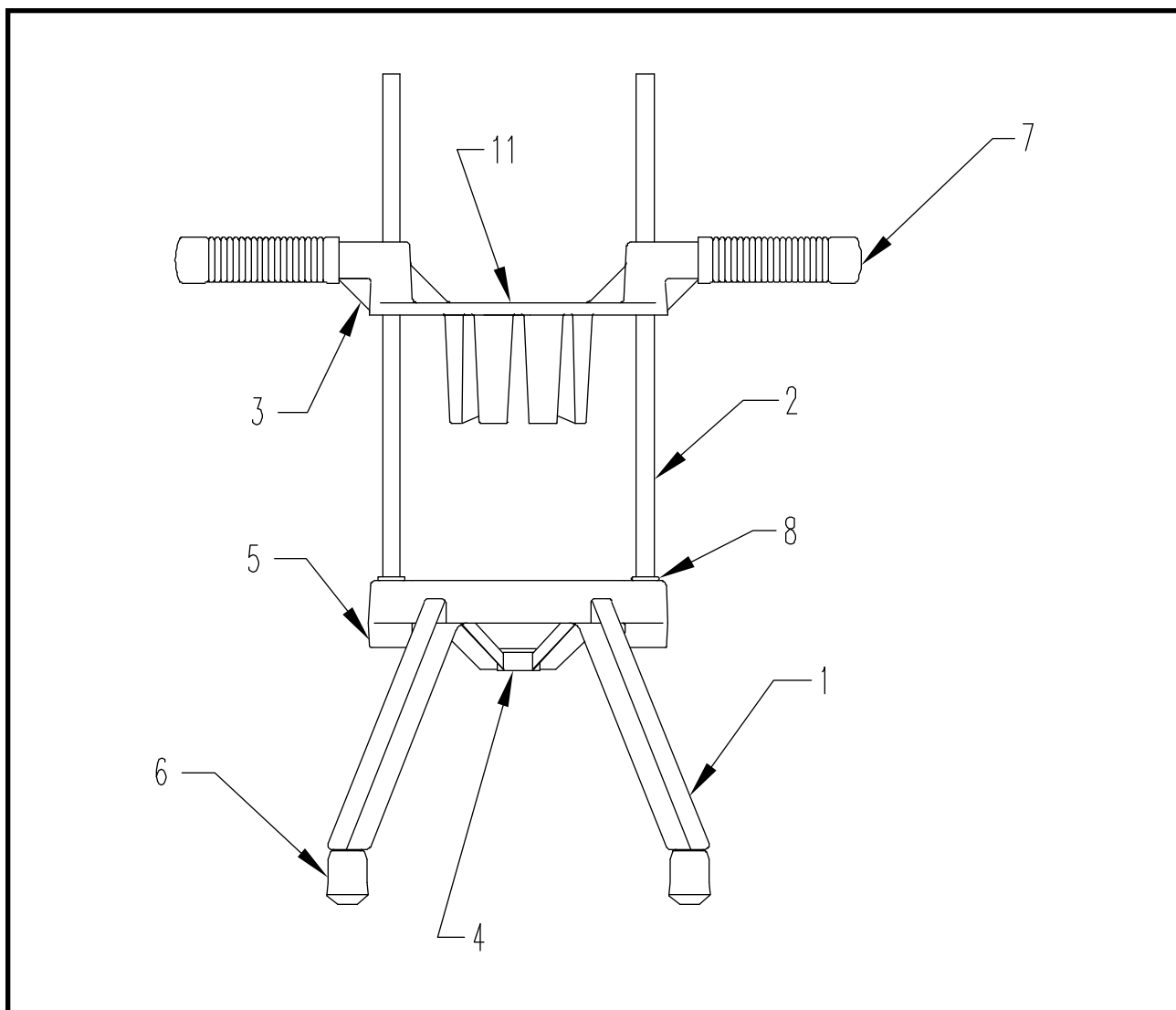
Assembly (P/N-38339) includes the Stand with the Guide Rods pinned in place.



## PARTS LIST – APPLE HACKER

Item No.	Part No.	Description	Quantity
1	38333	Stand	1
2	38334	Guide Rod	2
3	38335	Push Block	1
4	38336	Blade Assembly	1
5	14843	Dowel Pin	2
6	49123	Crutch Tip	4
7	46028	Grip, Handle Bar	2
8	38338	"O" Ring	2
9*	40195	Machine Screw #6-32 x 3/4"	2
10*	38337	Core Pin	1
11*	38323	Decal, Sharp Blades	1

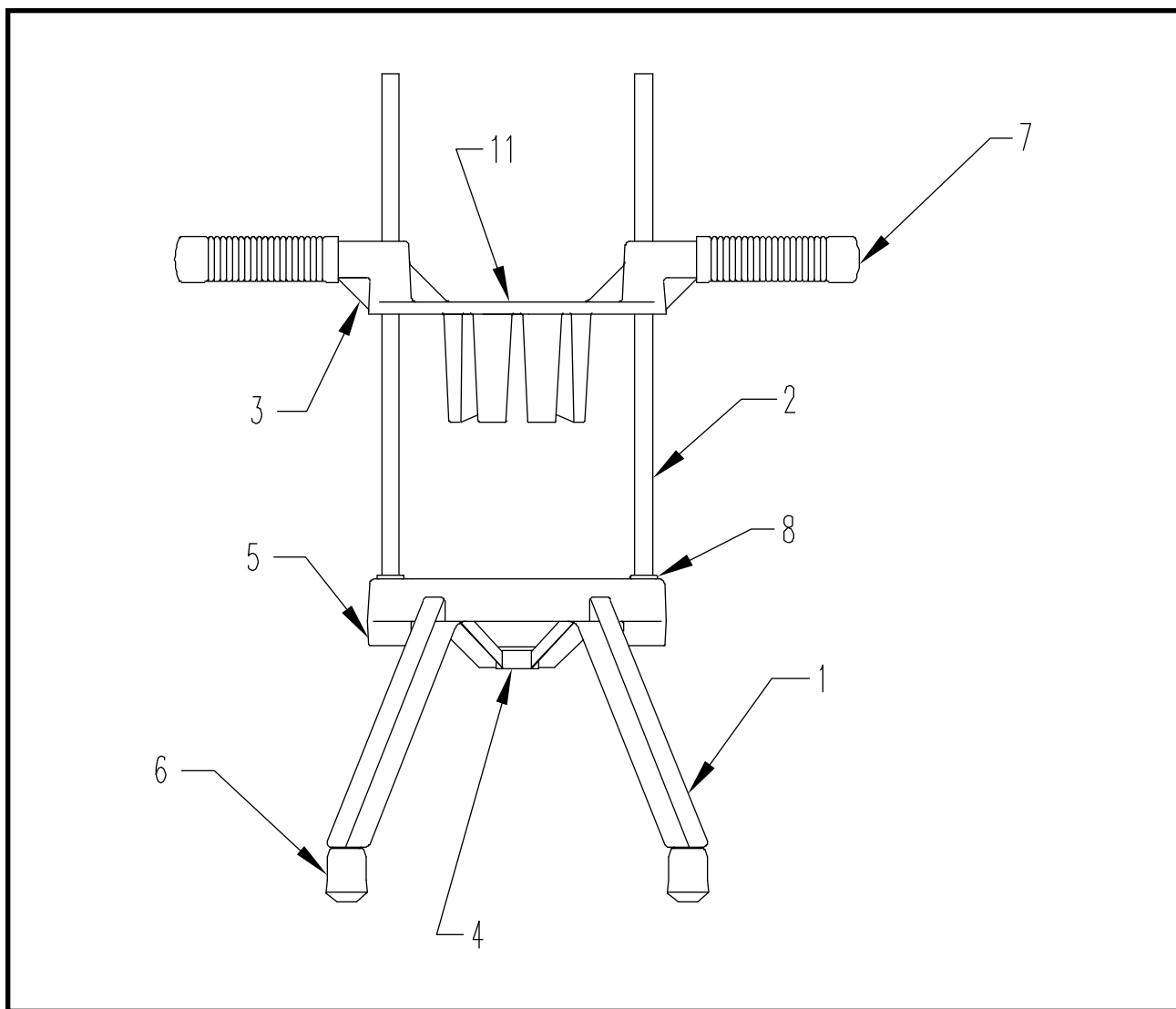
Assembly (P/N-38339) includes the Stand with the Guide Rods pinned in place.



## PARTS LIST – APPLE HACKER

Item No.	Part No.	Description	Quantity
1	38333	Stand	1
2	38334	Guide Rod	2
3	38335	Push Block	1
4	38336	Blade Assembly	1
5	14843	Dowel Pin	2
6	49123	Crutch Tip	4
7	46028	Grip, Handle Bar	2
8	38338	"O" Ring	2
9*	40195	Machine Screw #6-32 x 3/4"	2
10*	38337	Core Pin	1
11*	38323	Decal, Sharp Blades	1

Assembly (P/N-38339) includes the Stand with the Guide Rods pinned in place.



## PARTS LIST – APPLE HACKER

Item No.	Part No.	Description	Quantity
1	38333	Stand	1
2	38334	Guide Rod	2
3	38335	Push Block	1
4	38336	Blade Assembly	1
5	14843	Dowel Pin	2
6	49123	Crutch Tip	4
7	46028	Grip, Handle Bar	2
8	38338	"O" Ring	2
9*	40195	Machine Screw #6-32 x 3/4"	2
10*	38337	Core Pin	1
11*	38323	Decal, Sharp Blades	1

Assembly (P/N-38339) includes the Stand with the Guide Rods pinned in place.

