

Parts Catalog



Model CPCT1

ELECTRIC CONVEYOR TOASTER

MODEL: CPCT1

01-26-2011

IMPORTANT!

TO EXPEDITE SHIPMENT OF PARTS, ALWAYS SPECIFY MODEL, REV,
PART NUMBER, AND SERIAL NUMBER OF SLICER.

GLOBE FOOD EQUIPMENT COMPANY

2215 East River Road

Dayton, Ohio 45439

Parts Department

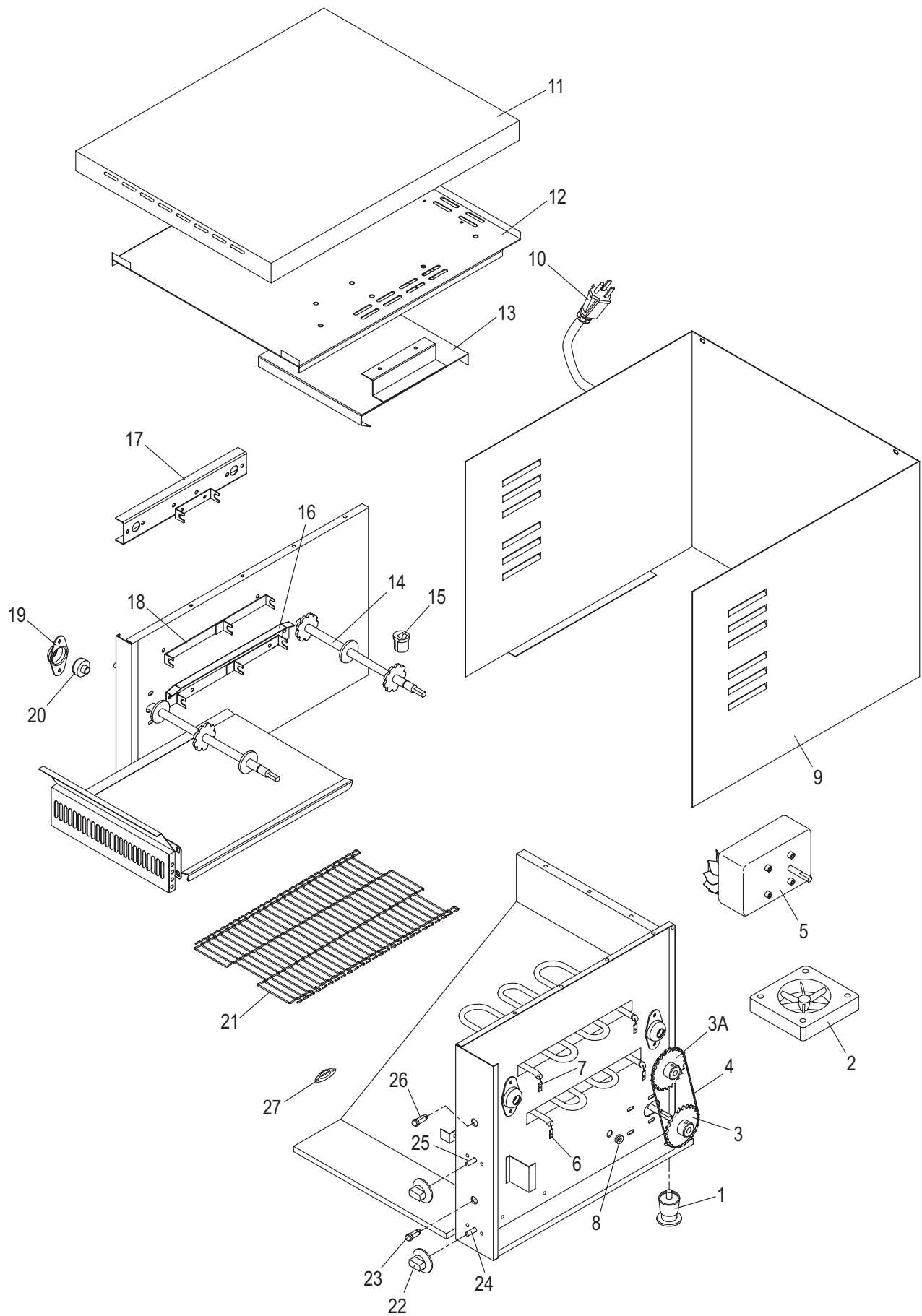
Toll Free 1-800-745-6238 · Fax (937) 290-0585

E-Mail: globeinfo@globeslicers.com

Website: www.globeslicers.com

Not for resale

CPCT1 CONVEYOR TOASTER COMPONENTS



CPCT1 CONVEYOR TOASTER PARTS LIST

Item	Description	Part Numbers	Qty
1	Foot	01021005002	4
2	Fan	03991290033	1
3	Gear, 12 Tooth	01021005059	1
3A	Gear, 20 Tooth	01021005037	1
4	Chain	01021005147	1
5	Motor	03011200001	1
6	Lower Element	03061225029	1
7	Upper Element	03061225030	1
8	Wireway Bushing	-	1
9	Toaster Enclosure	-	1
10	Power Cord and Plug	03021205011	1
11	Top Cover	-	1
12	Top Panel, Inner	-	1
13	Element Cover	-	1
14	Conveyor Drive Shaft	01141065004	2
15	Bushing	02101155021	1
16	Conveyor Support Runner	-	2
17	Element Assembly Plate	-	2
18	Element Fixing Plate	-	4
19	Shaft Bracket	01051025053	4
20	Shaft Cover	02991190003	4
21	Conveyor Belt	01021005004	1
22	Knob	02101155013	2
23	Power Indicator Light (Green)	03091240004	1
24	Multi Function Control Switch	03041215009	1
25	Variable Speed Controller	03991290015	1
26	Malfunction Indicator Light (Red)	03091240006	1
27	Thermal Cut-Out	03051220001	1

WIRING DIAGRAM, CPCT1

