

Parts Catalog



GIB750-22

Immersion Blender

Model: GIB750-22

06/18/2025 Rev. A

IMPORTANT!

TO EXPEDITE SHIPMENT OF PARTS, ALWAYS SPECIFY MODEL, REV,
PART NUMBER, AND SERIAL NUMBER OF UNIT.

GLOBE FOOD EQUIPMENT COMPANY

2215 East River Road
Dayton, Ohio 45439

Parts Department

Toll Free 1-800-745-6238 · Fax (937) 290-0585

E-Mail: info@globefoodequip.com

Website: www.globefoodequip.com

Not for resale

Table of Contents

Description

Page

GIB750-22 Blender Components

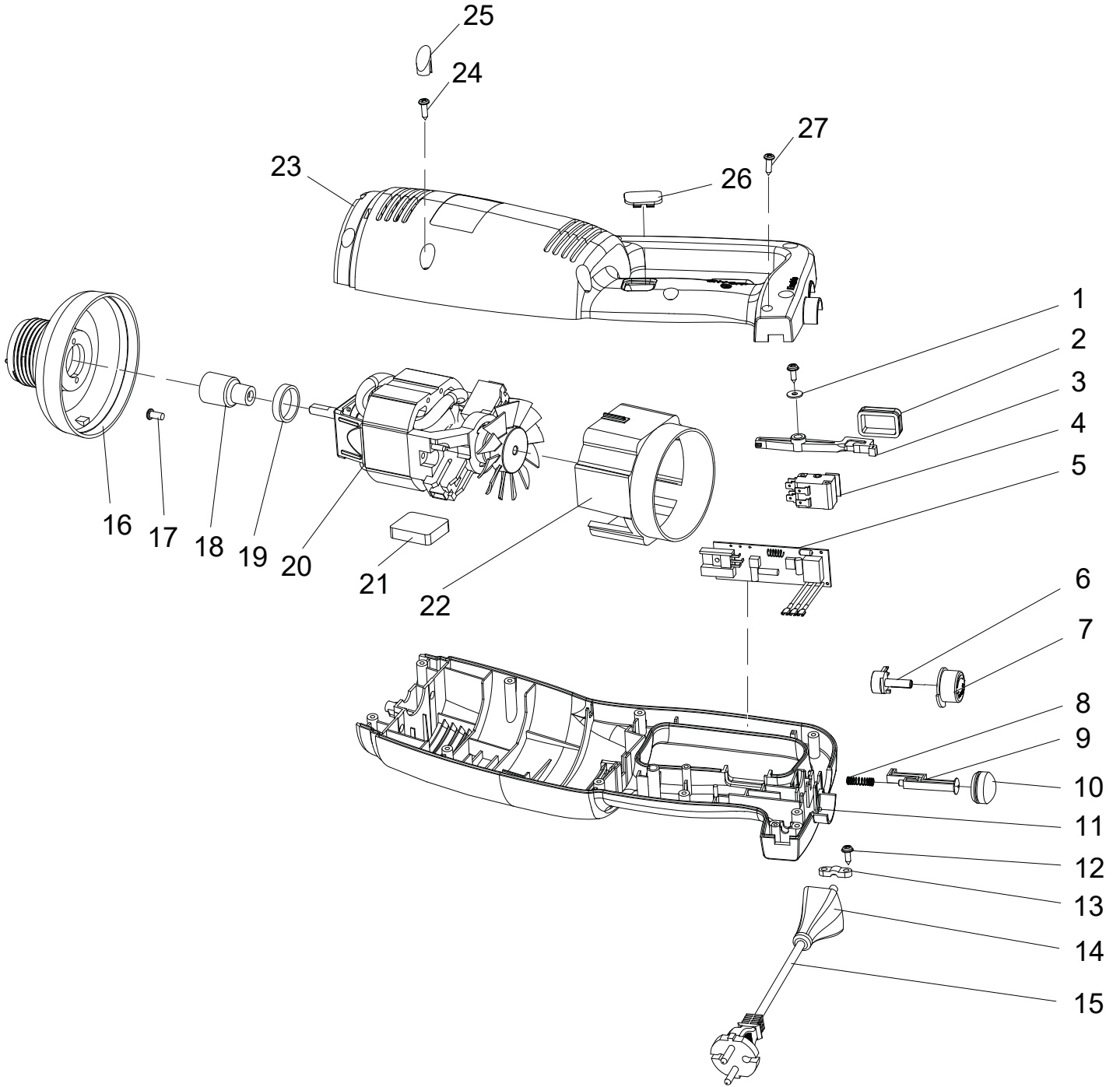
4

GIB750-22 Blender Tube Components

6



GIB750-22 Blender Components



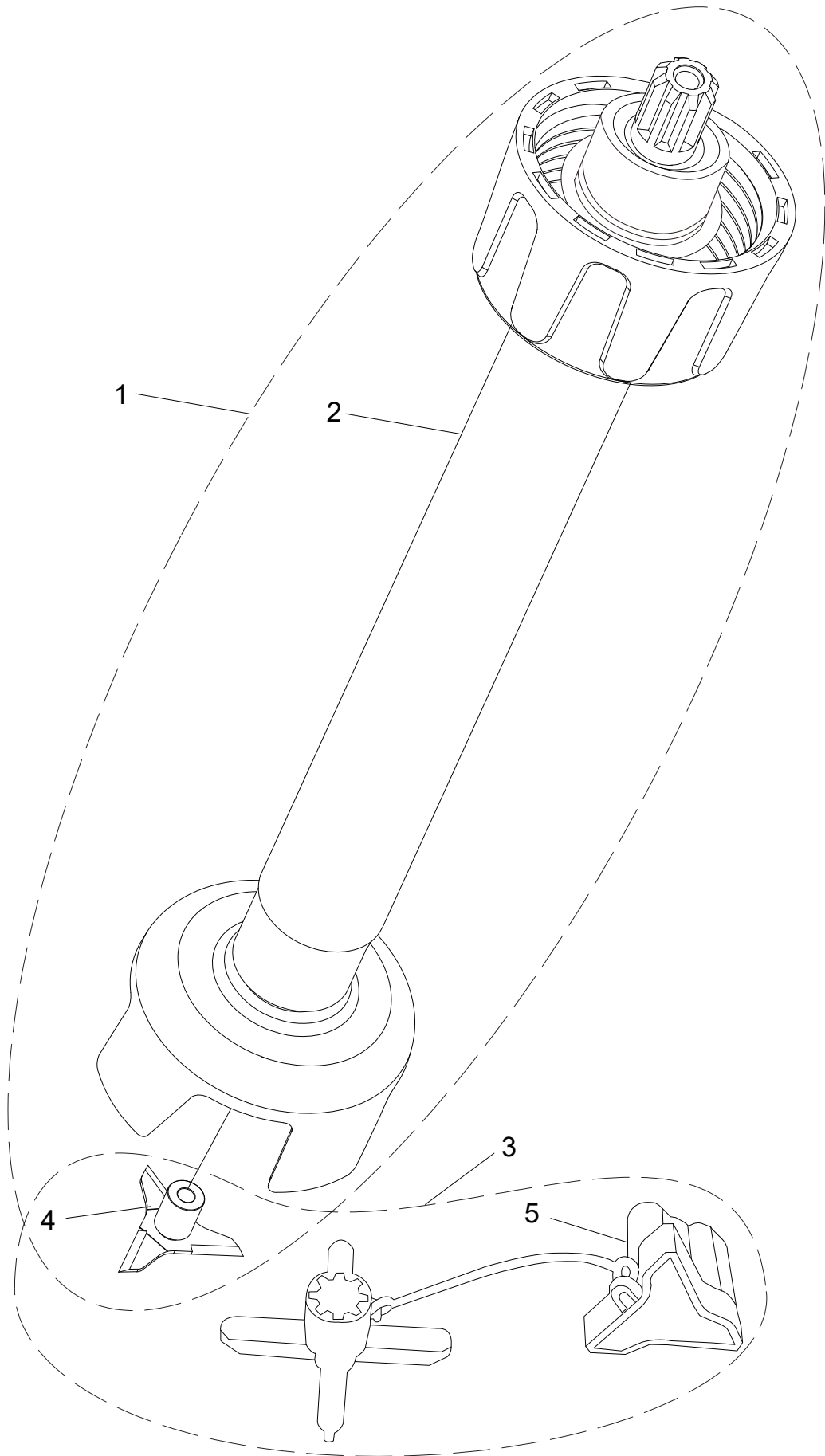


GIB750-22 Blender Components

| Item | Part Number | Description | Qty | Serial Number |
|------|-------------|---------------------------------------|-----|---------------|
| 1 | H02300 | Screw, Washer Phillips Button Hd | 1 | |
| 2 | L02223 | Button, ON-OFF | 1 | |
| 3 | L02214 | Button, Osculant Staff | 1 | |
| 4 | L02215 | Microswitch | 1 | |
| 5 | L02226 | Control Board, Speed | 1 | |
| 6 | L02234 | Potentiometer | 1 | |
| 7 | L02222 | Knob, VARIABLE Speed | 1 | |
| 8 | L02216 | Spring | 1 | |
| 9 | L02217 | Bolt, Push | 1 | |
| 10 | L02221 | Button, ENABLE | 1 | |
| 11 | L02228 | Housing, Right | 1 | |
| 12 | H02301 | Screw 4mmx15mm, Phillips Drive | 2 | |
| 13 | L02286 | Tie Down | 1 | |
| 14 | L02218 | Strain Relief | 1 | |
| 15 | L02219 | Power Cord | 1 | |
| 16 | L02227 | Coupling | 1 | |
| 17 | H02299 | Screw M5-.8x10mm, Phillips Pan Hd | 4 | |
| 18 | L02207 | Drive Hub | 1 | |
| 19 | L02233 | Seal, Rubber | 1 | |
| 20 | L02230 | Motor | 1 | |
| 21 | L02231 | Gasket, Motor | 2 | |
| 22 | L02232 | Cover, Motor | 1 | |
| 23 | L02229 | Housing, Left | 1 | |
| 24 | H02298 | Screw 3.9x15.5x.22mm Button PHH, Zinc | 11 | |
| 25 | L02292 | Screw Cover Kit | 1 | |
| 26 | L02205 | Cover | 1 | |
| 27 | H02297 | Screw M3x15mm Phillips Zinc | 1 | |
| 28 | L02284 | Warning Label | 1 | |
| 29 | L02285 | French Warning Label | 1 | |



GIB750-22 Blender Tube Components



6



GIB750-22 Blender Tube Components

| Item | Part Number | Description | Qty | Serial Number |
|------|-------------|----------------------------|-----|---------------|
| 1 | L02332 | 22" Immersion Blender Tube | 1 | |
| 2 | | Blender Stick | 1 | |
| 3 | L02334 | Blade Removal Kit | 1 | |
| 4 | | Blade | 1 | |
| 5 | | Blade Removal Tool | 1 | |