

# Parts Catalog



**GSM175**

## **Spiral Mixer**

**Model: GSM175**

3/25/2019 Rev. F

IMPORTANT!

TO EXPEDITE SHIPMENT OF PARTS, ALWAYS SPECIFY MODEL, REV,  
PART NUMBER, AND SERIAL NUMBER OF UNIT.

## **GLOBE FOOD EQUIPMENT COMPANY**

2215 East River Road  
Dayton, Ohio 45439

### **Parts Department**

Toll Free 1-800-745-6238 · Fax (937) 290-0585

E-Mail: [info@globefoodequip.com](mailto:info@globefoodequip.com)

Website: [www.globefoodequip.com](http://www.globefoodequip.com)

Not for resale



# Table of Contents

| Description                     | Page |
|---------------------------------|------|
| GSM175 Spiral Base Components   | 4    |
| GSM175 Control Panel Components | 6    |
| GSM175 Spiral Components        | 8    |
| GSM175 Bowl Components          | 10   |
| GSM175 Electrical Components    | 12   |
| GSM175 Wiring Diagram           | 14   |
| GSM175 Wiring Diagram           | 15   |



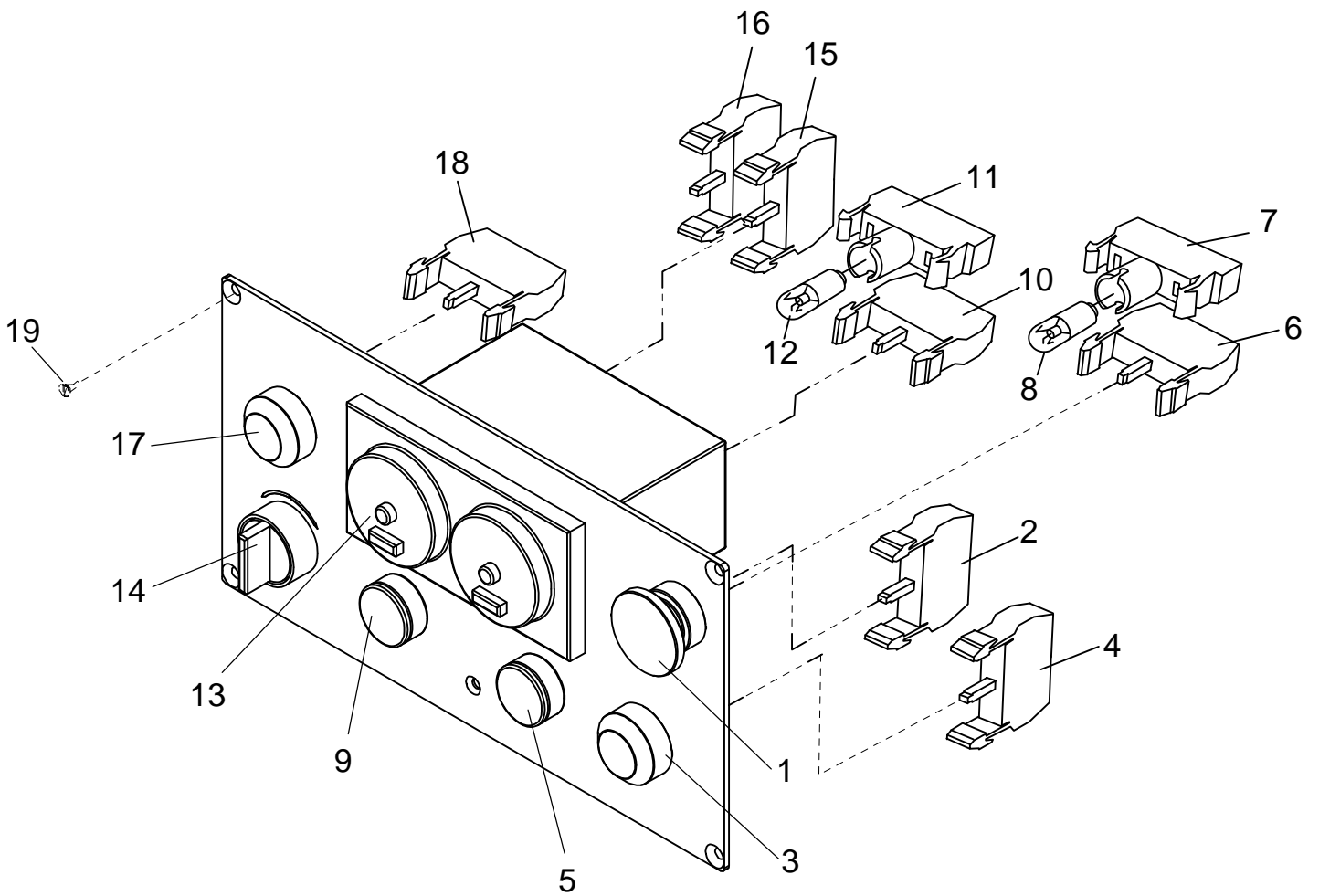


## GSM175 Spiral Base Components

| Item | Part Number            | Description                                 | Qty | Serial Number |
|------|------------------------|---|-----|---------------|
| 1    |                        | Top Cover                                   | 1   |               |
| 2    | H01014                 | Screw M6x16mm Oval Head                     | 2   |               |
| 3    |                        | Back Cover                                  | 1   |               |
| 4    |                        | Front Cover                                 | 1   |               |
| 5    | H01014                 | Screw M6x16mm Oval Head                     | 8   |               |
| 6    |                        | Bowl Guard Bracket                          | 1   |               |
| 7    | H01460                 | Washer M20                                  | 2   |               |
| 8    | H01458                 | Nut, Flange                                 | 2   |               |
| 9    | H01459                 | Screw M6x25mm Cap Slot                      | 2   |               |
| 10   |                        | Bowl Guard Block                            | 1   |               |
| 11   | H01457                 | Screw M10x80mm Hex Hd                       | 1   |               |
| 12   | <a href="#">H01029</a> | Hex Nut M10-1.5, OD-17, HT-8mm, Class 8, Zn | 1   |               |
| 13   | H01014                 | Screw M6x16mm Oval Head                     | 2   |               |
| 14   | <a href="#">P00975</a> | Microswitch                                 | 1   |               |
| 15   | H01014                 | Screw M6x16mm Oval Head                     | 2   |               |
| 16   | H01027                 | Nut M6                                      | 2   |               |
| 17   |                        | Back Panel                                  | 1   |               |
| 18   | H01014                 | Screw M6x16mm Oval Head                     | 10  |               |
| 19   | <a href="#">P01566</a> | Main Power Switch                           | 1   |               |
| 20   | <a href="#">P01004</a> | Belt Tension Knob (Not Shown)               | 2   |               |
| 21   | <a href="#">P00950</a> | Rear Wheel                                  | 2   |               |
| 22   | <a href="#">P00954</a> | Back Wheel Pin                              | 2   |               |
| 23   |                        | Base Access Panel                           | 2   |               |
| 24   | H01014                 | Screw M6x16mm Oval Head                     | 12  |               |
| 25   |                        | Roller Support                              | 2   |               |
| 26   |                        | Screw M8 x 20mm Hex Socket, Cheese Head     | 4   |               |
| 27   | <a href="#">P01093</a> | Roller Assembly (Incl. items 28-31)         | 1   |               |
| 28   |                        | Roller                                      | 2   |               |
| 29   | H01015                 | Screw M8x12mm Hex Head                      | 4   |               |
| 30   |                        | Roller Pin                                  | 2   |               |
| 31   | <a href="#">P00969</a> | Bearing                                     | 4   |               |
| 32   | <a href="#">P01009</a> | Feet  | 2   |               |
| 33   | <a href="#">P00956</a> | Front Wheel                                 | 2   |               |
| 34   | H01016                 | Screw M8x16mm Hex Head                      | 8   |               |
| 35   |                        | Front Wheel Support                         | 1   |               |
| 36   |                        | Screw M8 x 20mm Hex Socket, Cheese Head     | 4   |               |
| 37   | H01028                 | Nut M8                                      | 4   |               |
| 38   |                        | Rear Bowl Guard                             | 1   |               |
| 39   | H01014                 | Screw M6x16mm Oval Head                     | 4   |               |
| 40   | <a href="#">P00946</a> | Central Rod                                 | 1   |               |
| 41   | <a href="#">H01022</a> | Screw M10x40mm Hex Head                     | 4   |               |
| 42   |                        | Spiral Base                                 | 1   |               |
| 43   | <a href="#">P00926</a> | Bowl Guard                                  | 1   |               |
| 44   |                        | Bowl Guard Pin                              | 2   |               |
| 45   |                        | Bowl Guard Lever                            | 1   |               |
| 46   | H01014                 | Screw M6x16mm Oval Head                     | 4   |               |
| 47   |                        | Bearing Locknut                             | 2   |               |
| 48   |                        | Cam   | 1   |               |



# GSM175 Control Panel Components



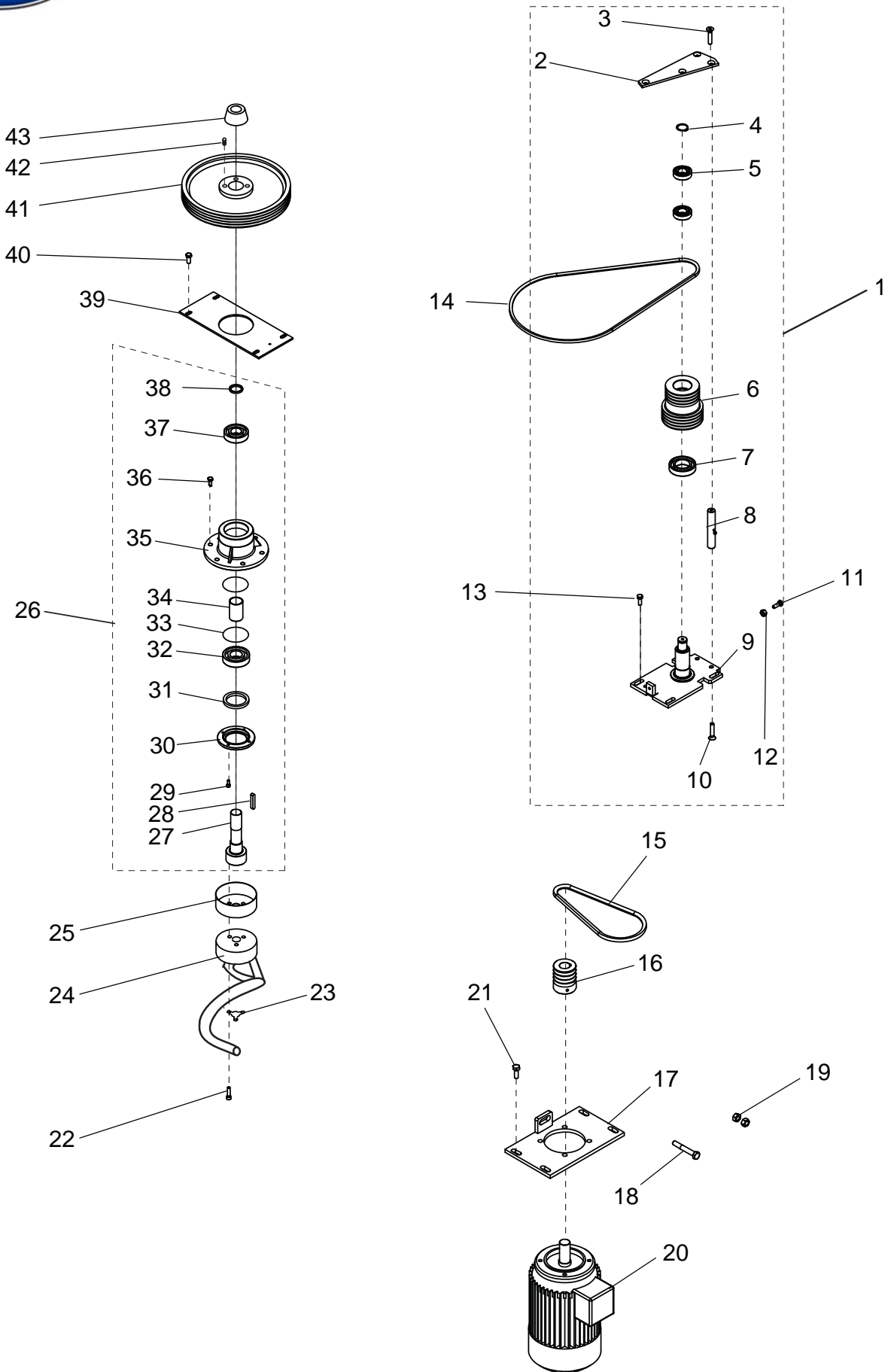


## GSM175 Control Panel Components

| Item | Part Number | Description                               | Qty | Serial Number |
|------|-------------|---|-----|---------------|
| 1    | P00995      | Emergency Stop Button (EM) (Incl. item 2) | 1   |               |
| 2    |             | Contact Block                             | 1   |               |
| 3    | P00994      | Stop Button (SB4) (Incl. item 4)          | 1   |               |
| 4    |             | Contact Block                             | 1   |               |
| 5    | P00992      | Speed 1 Button (SB1) (Incl. items 6-8)    | 1   |               |
| 6    |             | Contact Block                             | 1   |               |
| 7    |             | Lamp Holder                               | 1   |               |
| 8    |             | LED, White 24V                            | 1   |               |
| 9    | P00992      | Speed 1 Button (SB1)                      | 1   |               |
| 10   |             | Contact Block (Incl. items 10-12)         | 1   |               |
| 11   |             | Lamp Holder                               | 1   |               |
| 12   |             | LED, White 24V                            | 1   |               |
| 13   | P00991      | Timer Assembly (TM1)                      | 1   |               |
| 14   | P00990      | Reverse Button (SA1) (Incl. items 15-16)  | 1   |               |
| 15   |             | Contact Block                             | 1   |               |
| 16   |             | Contact Block                             | 1   |               |
| 17   | P00989      | Bowl Jog Button (SB3) (Incl. item 18)     | 1   |               |
| 18   |             | Contact Block                             | 1   |               |
| 19   | H01013      | Screw M5 x 12mm Countersunk Head          | 5   |               |
| 20   | P01939      | Connector, Green (Not Shown)              | 1   |               |



# GSM175 Spiral Components



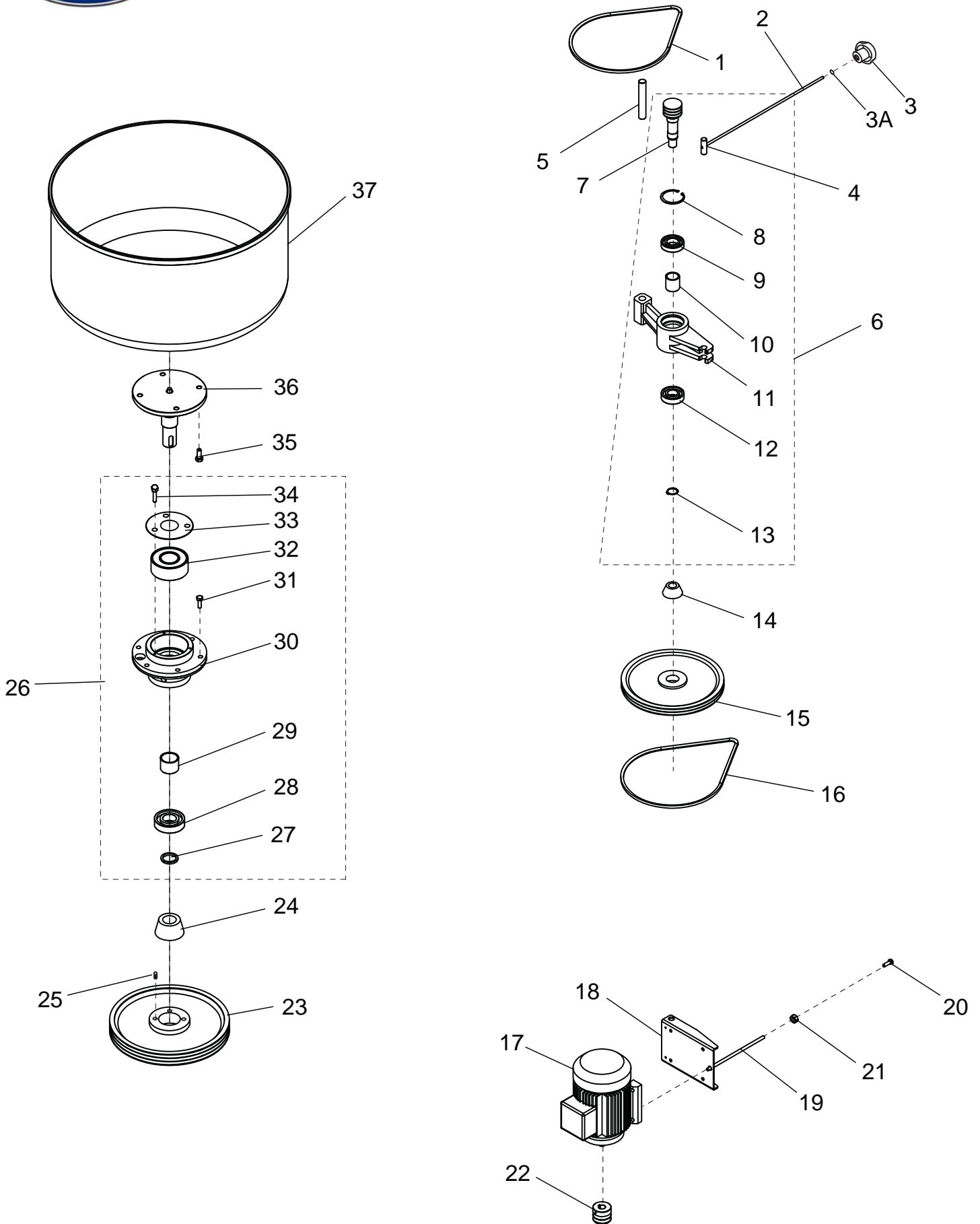


## GSM175 Spiral Components

| Item | Part Number | Description                                     | Qty | Serial Number |
|------|-------------|---|-----|---------------|
| 1    | P01057      | Upper Return Pulley Assembly (Incl. items 2-12) | 1   |               |
| 2    |             | Plate Containment                               | 1   |               |
| 3    | H01026      | Screw M12 x 60mm Hex Socket, Countersunk Head   | 4   |               |
| 4    |             | Retaining Ring                                  | 1   |               |
| 5    | P00968      | Bearing   | 2   |               |
| 6    |             | Upper Return Pulley                             | 1   |               |
| 7    | P00962      | Bearing   | 2   |               |
| 8    |             | Bracket Support                                 | 3   |               |
| 9    |             | Return Pulley Bracket                           | 1   |               |
| 10   | H01026      | Screw M12 x 60mm Hex Socket, Countersunk Head   | 3   |               |
| 11   | H01021      | Screw M10 x 30mm Hex Head                       | 1   |               |
| 12   | H01029      | Hex Nut M10-1.5, OD-17, HT-8mm, Class 8, Zn     | 1   |               |
| 13   | H01021      | Screw M10 x 30mm Hex Head                       | 4   |               |
| 14   | P00960      | Spiral Transmission Belt                        | 4   |               |
| 15   | P00961      | Return Motor Transmission Belt                  | 4   |               |
| 16   | P00979      | Spiral Motor Pulley                             | 1   |               |
| 17   |             | Plate for Spiral Motor Support                  | 1   |               |
| 18   | H01025      | Screw M12 x 80 Hex Head                         | 1   |               |
| 19   | H01030      | Nuts M12  | 2   |               |
| 20   | P00931      | Spiral Motor (M2)                               | 1   | ->2017MN0026  |
| 20   | P01951      | Spiral Motor (M2)                               | 1   |               |
| 21   | H01021      | Screw M10 x 30mm Hex Head                       | 8   |               |
| 22   | H01024      | Screw M12 x 1.75 x 70 mm Hex Hd                 | 3   |               |
| 23   | P01489      | Spiral Support Cover                            | 1   |               |
| 24   | P00922      | Spiral Hook                                     | 1   |               |
| 25   |             | Spiral Bowl                                     | 1   |               |
| 26   | P01058      | Spiral Shaft Assembly (Incl. items 27-38)       | 1   |               |
| 27   |             | Spiral Shaft                                    | 1   |               |
| 28   |             | Key 40 x 112 x 8mm                              | 1   |               |
| 29   |             | Screw M8 x 20mm Hex Socket, Cheese Head         | 4   |               |
| 30   |             | Flange  | 1   |               |
| 31   |             | Oil Retaining Ring                              | 1   |               |
| 32   | P00964      | Bearing   | 1   |               |
| 33   |             | Ring  | 2   |               |
| 34   |             | Spacer  | 1   |               |
| 35   |             | Spiral Support                                  | 1   |               |
| 36   |             | Screw M10 x 25mm Hex Head                       | 6   |               |
| 37   | P00963      | Bearing   | 1   |               |
| 38   |             | Spiral Pulley Spacer                            | 1   |               |
| 39   |             | Spiral Support Blocking Plate                   | 1   |               |
| 40   | H01023      | Screw M12 x 30mm Hex Head                       | 4   |               |
| 41   |             | Spiral Pulley                                   | 1   |               |
| 42   | H01059      | Set Screw M10 x 30mm                            | 3   |               |
| 43   |             | Spiral Pulley Support                           | 1   |               |



# GSM175 Bowl Components



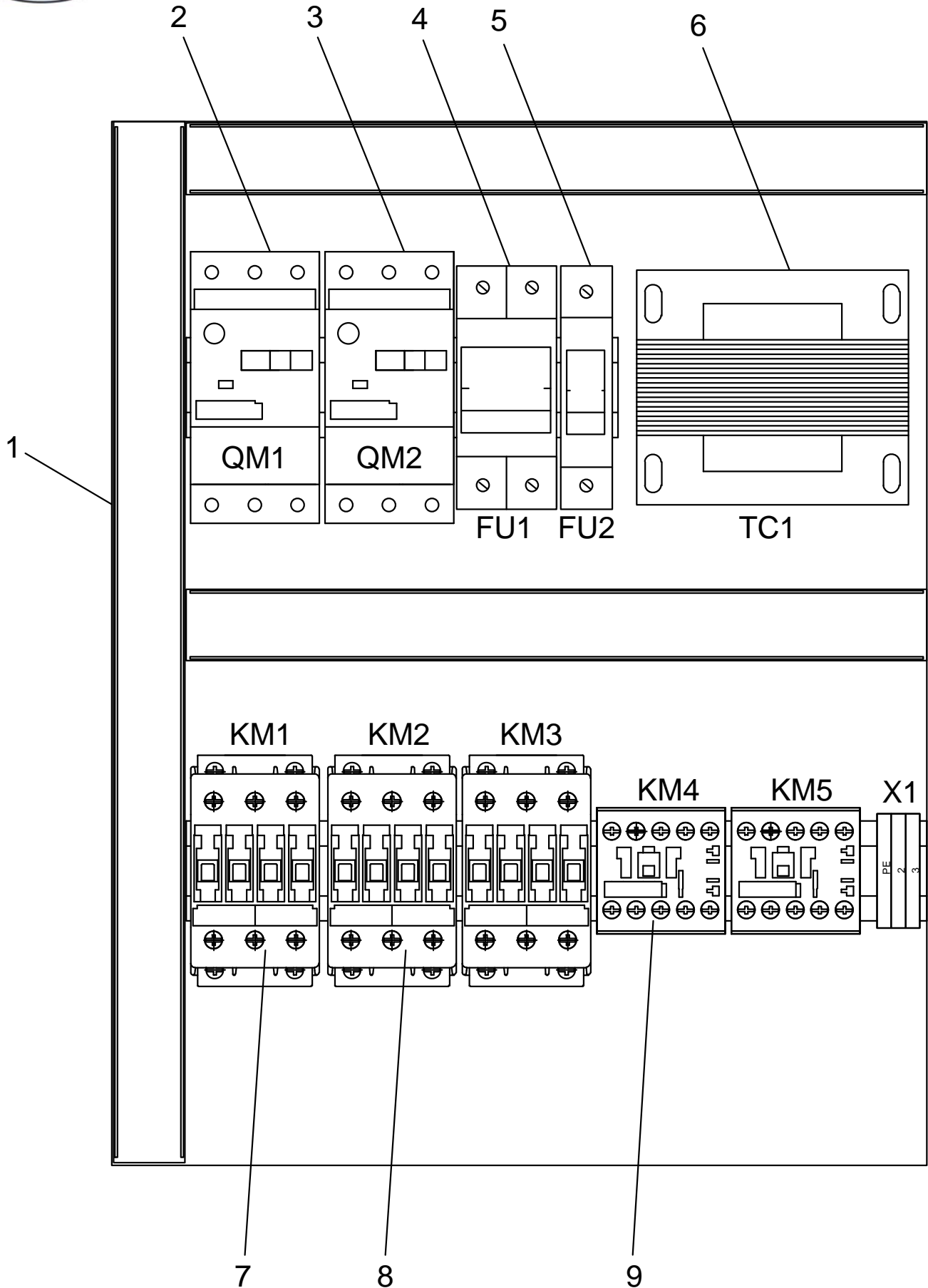


## GSM175 Bowl Components

| Item | Part Number | Description                                 | Qty | Serial Number |
|------|-------------|---|-----|---------------|
| 1    | P00957      | Lower Return Belt                           | 3   |               |
| 2    | P01006      | Rod   | 1   |               |
| 3    | P01004      | Belt Tension Knob                           | 2   |               |
| 3A   | P01995      | Washer, Nylon                               | 1   |               |
| 4    | P01007      | Return Tie Pin                              | 1   |               |
| 5    | P00984      | Lower Return Shaft                          | 1   |               |
| 6    | P01063      | Return Shaft Assembly (Incl. items 7-13)    | 1   |               |
| 7    |             | Shaft with Pulley                           | 1   |               |
| 8    |             | Retaining Ring                              | 1   |               |
| 9    | P00967      | Bearing                                     | 1   |               |
| 10   |             | Spacer                                      | 1   |               |
| 11   |             | Return Shaft Support                        | 1   |               |
| 12   | P00966      | Bearing                                     | 1   |               |
| 13   |             | Retaining Ring                              | 2   |               |
| 14   |             | Central Return Pulley Support               | 1   |               |
| 15   |             | Return Pulley                               | 1   |               |
| 16   | P00957      | Lower Return Belt                           | 2   |               |
| 17   | P00929      | Bowl Motor (M2)                             | 1   |               |
| 17   | P01951      | Spiral Motor (M2)                           | 1   | 2017MM0027 -> |
| 18   |             | Bowl Motor Support                          | 1   |               |
| 19   | P01005      | Bowl Motor Rod                              | 1   |               |
| 20   | H01018      | Screw M8 x 25mm Hex Head                    | 4   |               |
| 21   | H01029      | Hex Nut M10-1.5, OD-17, HT-8mm, Class 8, Zn | 1   |               |
| 22   | P00977      | Bowl Motor Pulley                           | 1   |               |
| 23   |             | Bowl Pulley                                 | 1   |               |
| 24   |             | Bowl Pulley Support                         | 1   |               |
| 25   | H01059      | Set Screw M10 x 30mm                        | 3   |               |
| 26   | P01065      | Bowl Support Assembly (Incl. items 27-34)   | 1   |               |
| 27   |             | Bowl Pulley Spacer                          | 1   |               |
| 28   | P00963      | Bearing                                     | 1   |               |
| 29   |             | Spacer                                      | 1   |               |
| 30   |             | Bowl Support                                | 1   |               |
| 31   | H01021      | Screw M10 x 30mm Hex Head                   | 6   |               |
| 32   | P00965      | Bearing                                     | 1   |               |
| 33   |             | Bearing Cover                               | 1   |               |
| 34   | H01064      | Screw M10 x 20mm Hex Head                   | 3   |               |
| 35   | H01023      | Screw M12 x 30mm Hex Head                   | 4   |               |
| 36   | P01002      | Bowl Support Shaft                          | 1   |               |
| 37   | P00924      | Bowl  | 1   |               |



# GSM175 Electrical Components





## GSM175 Electrical Components

| Item | Part Number            | Description                | Qty | Serial Number |
|------|------------------------|----------------------------|-----|---------------|
| 1    |                        | Electrical System          | 1   |               |
| 2    | <a href="#">P01442</a> | Circuit Breaker (QM1)      | 1   |               |
| 3    | <a href="#">P01035</a> | Circuit Breaker (QM2)      | 1   |               |
| 4    | <a href="#">P01053</a> | Bipolar Fuse Holder (FU1)  | 1   |               |
| 5    | <a href="#">P01054</a> | Unipolar Fuse Holder (FU2) | 1   |               |
| 6    | <a href="#">P01045</a> | Transformer 200VA (TC1)    | 1   |               |
| 7    | <a href="#">P01443</a> | Contactor (KM1)            | 1   |               |
| 8    | <a href="#">P01444</a> | Contractor (KM2 & KM3)     | 2   |               |
| 9    | <a href="#">P01046</a> | Contactor (KM4 & KM5)      | 2   |               |
| 10   | <a href="#">P01490</a> | Fuse 2A/600V (Not Shown)   | 1   |               |
| 11   | <a href="#">P01491</a> | Fuse 6A/600V (Not Shown)   | 2   |               |



# GSM175 Wiring Diagram

