

# Parts Catalog



**SG13E**

## **S-Series Slicer Smart Manual**

**Model: SG13E**

11/26/2019 Rev. A

**IMPORTANT!**

TO EXPEDITE SHIPMENT OF PARTS, ALWAYS SPECIFY MODEL, REV,  
PART NUMBER, AND SERIAL NUMBER OF UNIT.

## **GLOBE FOOD EQUIPMENT COMPANY**

2215 East River Road  
Dayton, Ohio 45439

### **Parts Department**

Toll Free 1-800-745-6238 · Fax (937) 290-0585

E-Mail: [info@globefoodequip.com](mailto:info@globefoodequip.com)

Website: [www.globefoodequip.com](http://www.globefoodequip.com)

Not for resale

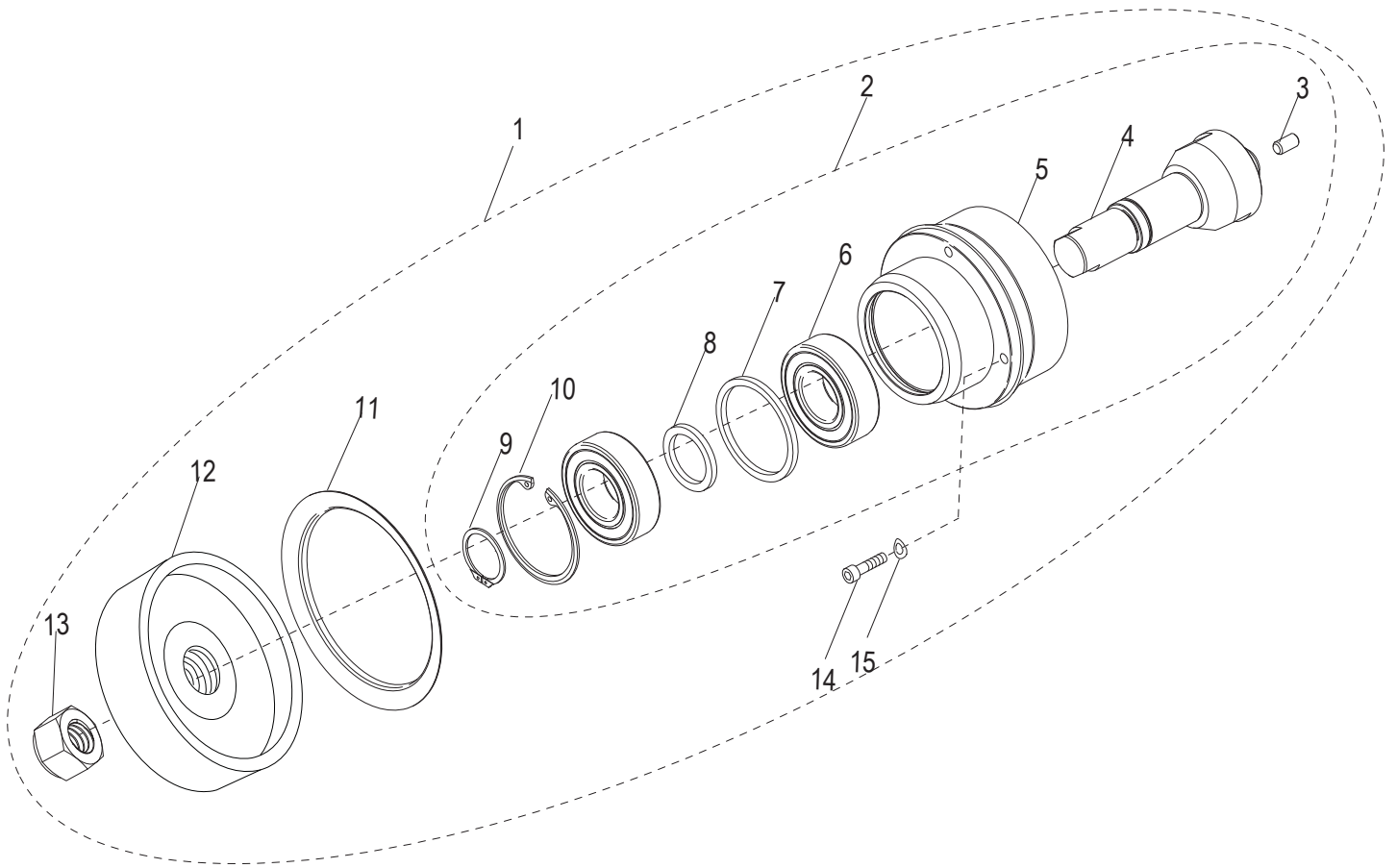


# Table of Contents

<b>Description</b>	<b>Page</b>
SG13E Knife Drive Assembly Components	4
SG13E Index Knob Components	6
SG13E Base Shroud Components	8
SG13E Gauge Plate Components	10
SG13E Index Slide Assembly Components	12
SG13E Ring Guard Assembly Components	14
SG13E Continuous Ring Guard Assembly Components	16
SG13E Electrical Base Components	18
SG13E Knife Drive Motor Components	22
SG13E Transport Arm Assembly Components	24
SG13E Lift Lever Base Components	28
SG13E Carriage Assembly Components	30
SG13E Knife and Knife Cover Components	32
SG13E Sharpener Assembly Components	34
SG13E Front Mounted Sharpener - Option	36
SG13E Knife Removal Tool - Option	38
SG13E Removable Knife Kit - Option	40
SG13E Removable Knife Drive Kit - Option	42
SG13E Wiring Schematic	44



# SG13E Knife Drive Assembly Components





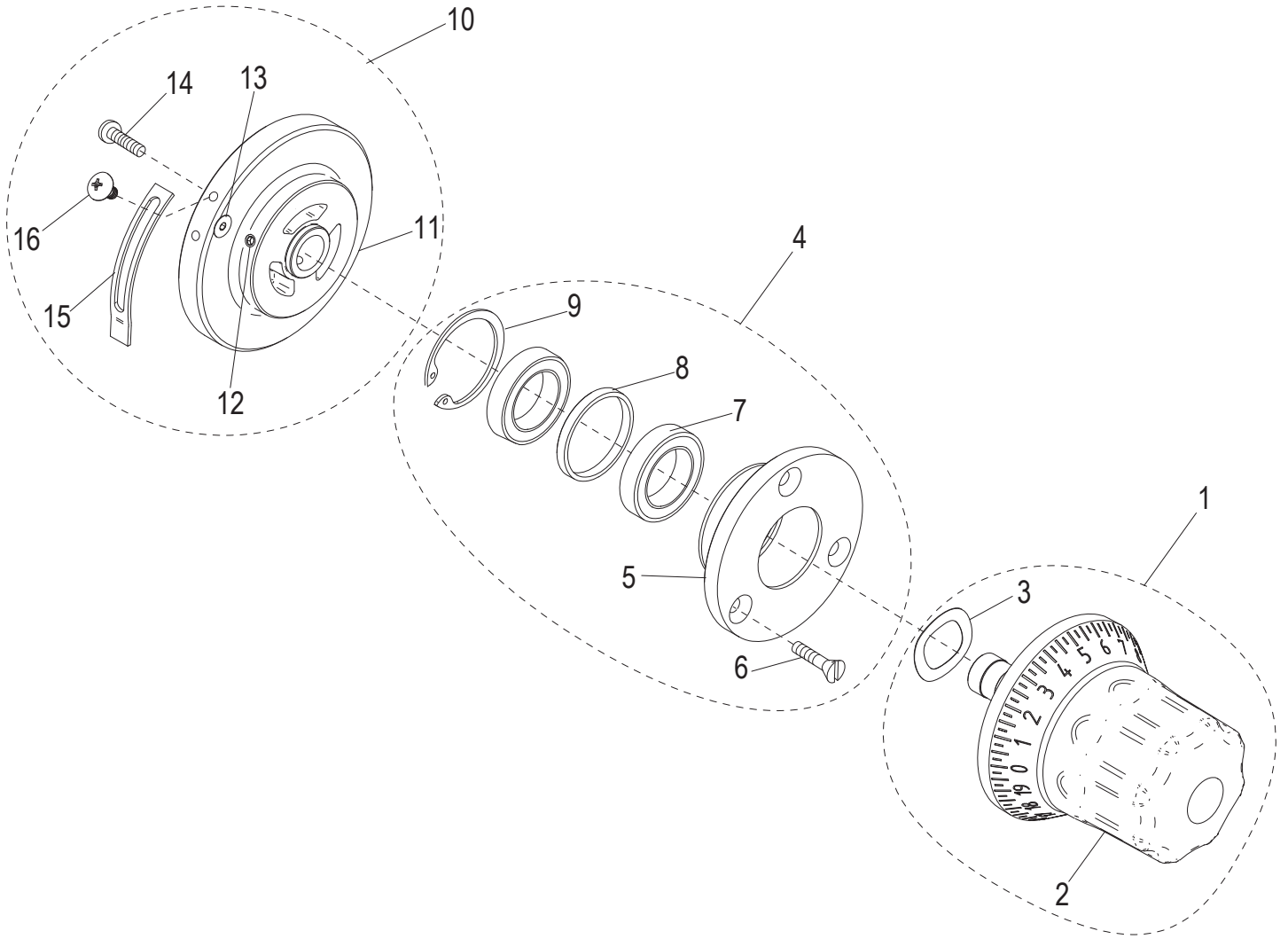
## SG13E Knife Drive Assembly Components

---

Item	Part Number	Description	Qty	Serial Number
1	450211	Knife Drive Assembly (Incl. items 2-15)	1	
2	420088	Knife Drive Bearing Assembly (Incl. items 3-10)	1	
3	510078	Knife Cover Bumper	1	
4		Shaft, Knife Drive	1	
5		Knife Drive Bearing Mount	1	
6		Ball Bearing, Sealed	2	
7		Outer Ring, Bearing Spacer	1	
8		Inner Ring, Bearing Spacer	1	
9		Retaining Ring 5101-98 Bowed External	1	
10		Retaining Ring N5002-200	1	
11	520244	Knife Drive Boot	1	
12	450115	Knife Drive Pulley	1	
13	510033	Nut 7/8-20 Hex (Zinc)	1	
14	810229	Socket Hd. 1/4-20x3/4 Cap Screw, SST	4	
15	810275	Bellville Disc Spring Washer .255 ID x .50 OD	4	



# SG13E Index Knob Components





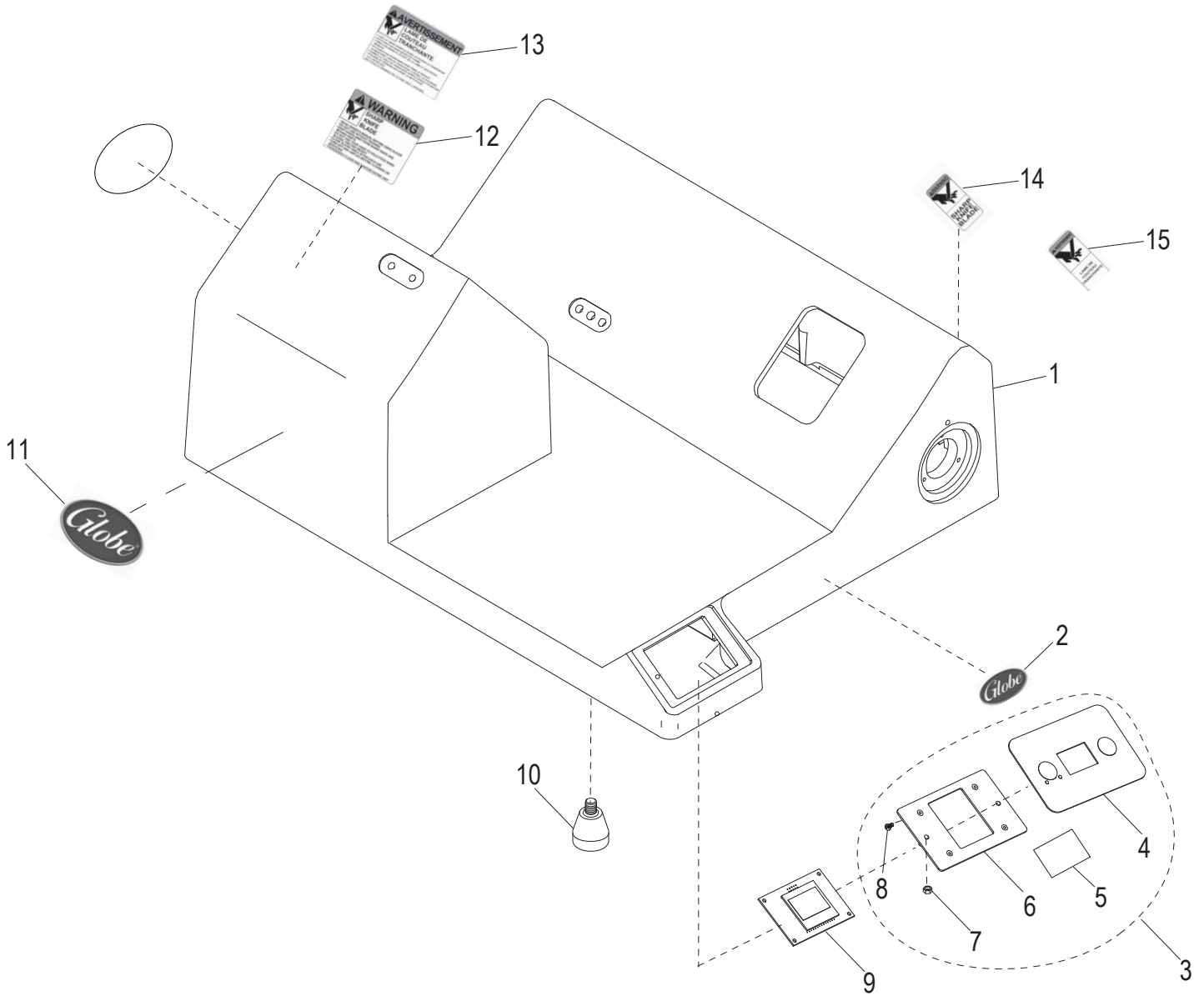
## SG13E Index Knob Components

---

Item	Part Number	Description	Qty	Serial Number
1	500044	Index Knob Assembly (Incl. items 2-3)	1	
2	500022	Index Knob	1	
3	800136	Index Knob Tension Spring	1	
4	450214	Index Bearing Hub Assembly Kit (Incl. items 5-9)	1	
5		Index Knob Bearing Hub	1	
6	800104	Mach. Screw #10-24x5/8 Flat Hd Slotted	3	
7		Index Knob Bearing	2	
8		Spacer, Index Bearing	1	
9		Beveled Retaining Ring	1	
10	500049	Index Cam with Stop Assembly (Incl. items 11-16)	1	
11	520350	Index Cam	1	
12		Set Screw, Knurl Grip Cup Pt 1/4-28x3/4 (SST)	3	
13		Socket Cap Screw #10-32x3/4 Flat Hd (SS)	1	
14	800105	Socket Cap Screw #10-32x5/8 Button-Hd	1	
15	300054	Cam Stop	1	
16	800138	Button Hd Cap Screw #10-32 x 3/8 SST	2	



# SG13E Base Shroud Components





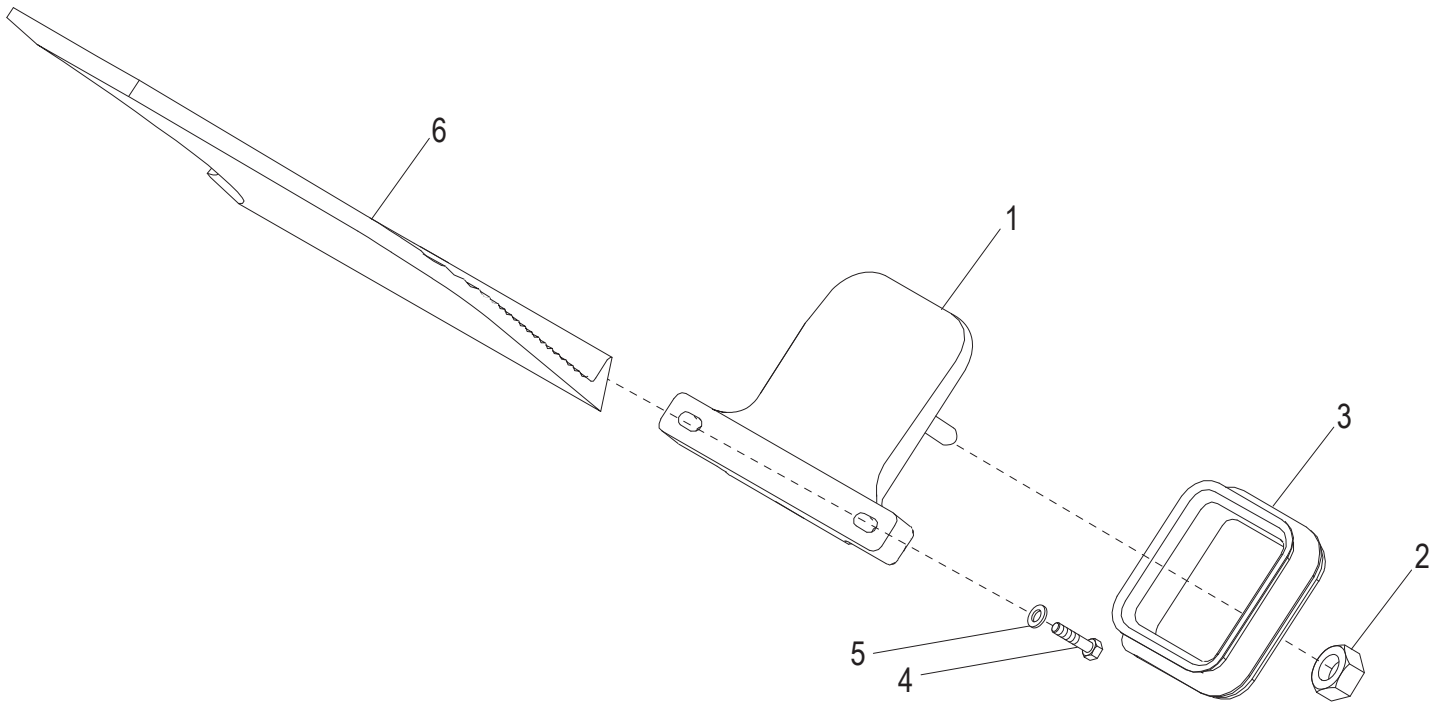
## SG13E Base Shroud Components

---

Item	Part Number	Description	Qty	Serial Number
1		Slicer Base	1	
2	<a href="#">871-2</a>	Globe Logo Decal 3.5"	1	
3	121071	Membrane Switch Kit (Incl. items 4-8)	1	
4		Membrane Switch, Smart Manual	1	
5	910088	Pad, Alcohol Prep	1	
6		User Interface Panel, Smart/Auto	1	
7	<a href="#">810422</a>	Nylon Locknut 6-32	2	
8	<a href="#">810423</a>	Mach. Screw #4-40 x 1/4, 18-8 PH Cr (SST)	4	
9	<a href="#">121062</a>	Display Assembly	1	
10	<a href="#">510031</a>	Slicer Foot	4	
11	<a href="#">920202</a>	Globe Logo Decal, S-Series	2	
12	<a href="#">920200</a>	Warning Label, Large	1	
13	<a href="#">920198</a>	Warning Label, Large French	1	
13	980377	Warning Label, Large Italian	1	
13	980376	Warning Label, Large Spanish	1	
14	<a href="#">920201</a>	Warning Label, Small	1	
15	<a href="#">920199</a>	Warning Label, Small French	1	
15	980381	Warning Label, Small Spanish	1	
15	980382	Warning Label, Small Italian	1	



# SG13E Gauge Plate Components





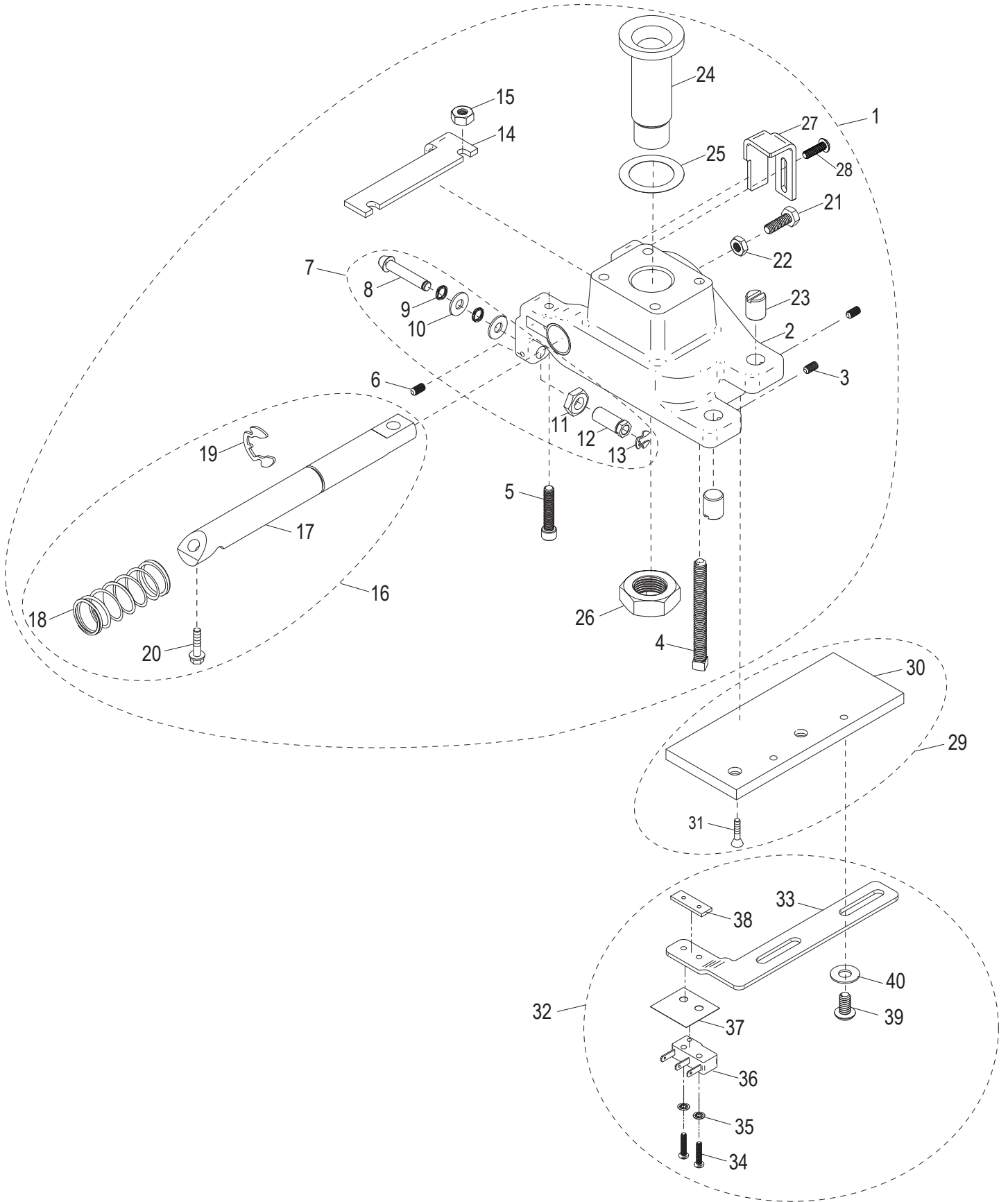
## SG13E Gauge Plate Components

---

Item	Part Number	Description	Qty	Serial Number
1	450212	Gauge Plate Base Assembly	1	
2	450054	Post Nut, Gauge Plate Ball Joint	1	
3	500001	Gauge Plate Seal	1	
4	890411	Cap Screw 3/8-16x1-1/2, Hex Hd with Nylon Patch	2	
5	810228	Flat Washer, fits 3/8 Screw, .885 OD	2	
6	450250	Gauge Plate	1	



# SG13E Index Slide Assembly Components





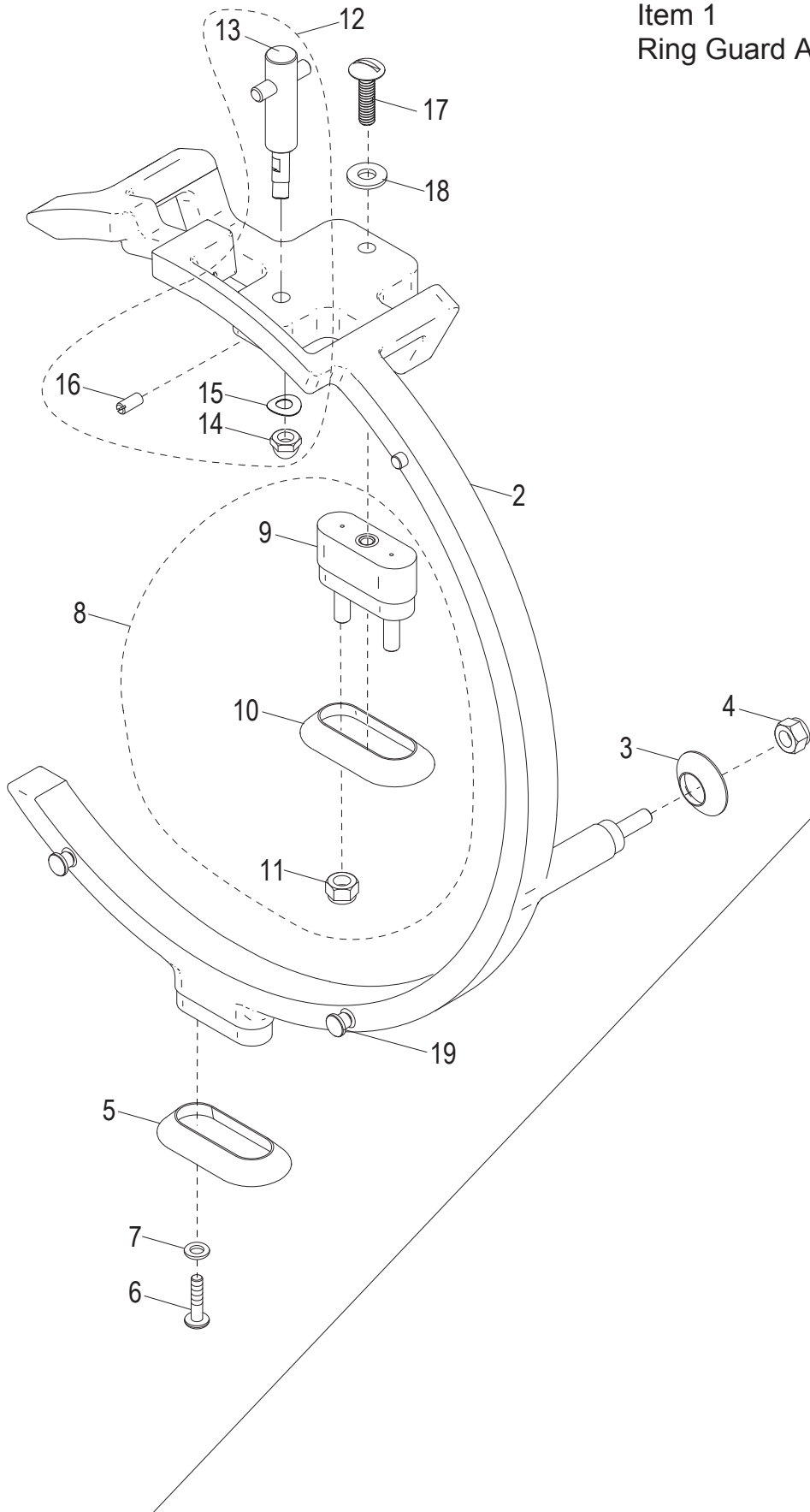
## SG13E Index Slide Assembly Components

Item	Part Number	Description	Qty	Serial Number
1	400140	Index Slide Kit (Incl. items 2-28)	1	
2		Index Slide with Bushings	1	
3	810400	Set Screw #10-32x3/8 Cup Pt.	2	
4	810379	Retaining Clip Ring 5304-18	1	
5		Follower Adjustment Post	1	
6	800091	Set Screw #8-32 x 3/16 Knurled Grip - Cup Pt.	1	
7	400121	Cam Follower Kit (Incl. items 8-13)	1	
8		Follower	1	
9		Wave Spring Cam Follower	2	
10		Flat Washer .266 ID, .625 OD Type A	2	
11	890390	Jam Nut 3/8-24 Sharpener Wheel	1	
12	800144	Cap Screw 1/4-28x1-1/4 Socket Hd	2	
13	800146	Set Screw 5/16-18x3 Sq. Hd Cup Point	4	
14		Stop Plate, Tilt Back	1	
15	800145	Nut 1/4-28 Hex	2	
16	400122	Index Slide Shaft Kit (Incl. items 17-20)	1	
17		Index Slide Shaft	1	
18		Index Spring	1	
19	800152	Retaining Ring (Klipring) 5304-75	1	
20	800058	Washer 5/16-18-1 Hex Hd Tapping Screw	2	
21	810431	Cap Screw 1/4-20 x 3/4 Hex Hd	1	
22	810432	Nut, Thin 1/4-20 Hex	1	
23	450057	Screw, Anti-Rotation	2	
24	450050	Ball Joint Rest	1	
25	800168	Gauge Plate Spacer Kit (Kit of 4)	1	
26	800043	Nut 7/8-14 UNF Hex Jam	1	
27	300154	Adjustment Stop	1	
28	800105	Socket Cap Screw #10-32x5/8 Button-Hd	2	
29	400128	Anti-Rotation Plate Kit (Incl. items 30-31)	1	
30		Anti-Rotation Plate	1	
31	810003	Screw 1/4-20x3/4 Crossed Rec., Flat Hd, Tapping	2	
32	121079	Index Close Switch Kit (Incl. items 32-40)	1	
33		Switch Mounting Plate	1	
34		Mach. Screw #2-56x7/16 Pan Hd. Phillips	2	
35		Lock Washer #2 Internal Tooth	2	
36		Micro Switch, Pin Action	1	
37		Micro Switch Insulator	1	
38		Nut Plate	1	
39	800077	Mach. Screw #10-24x3/8 Button Hd Cap (SST)	2	
40	870087	Flat Washer (Electrical Box Mounting)	2	



# SG13E Ring Guard Assembly Components

Item 1  
Ring Guard Assembly





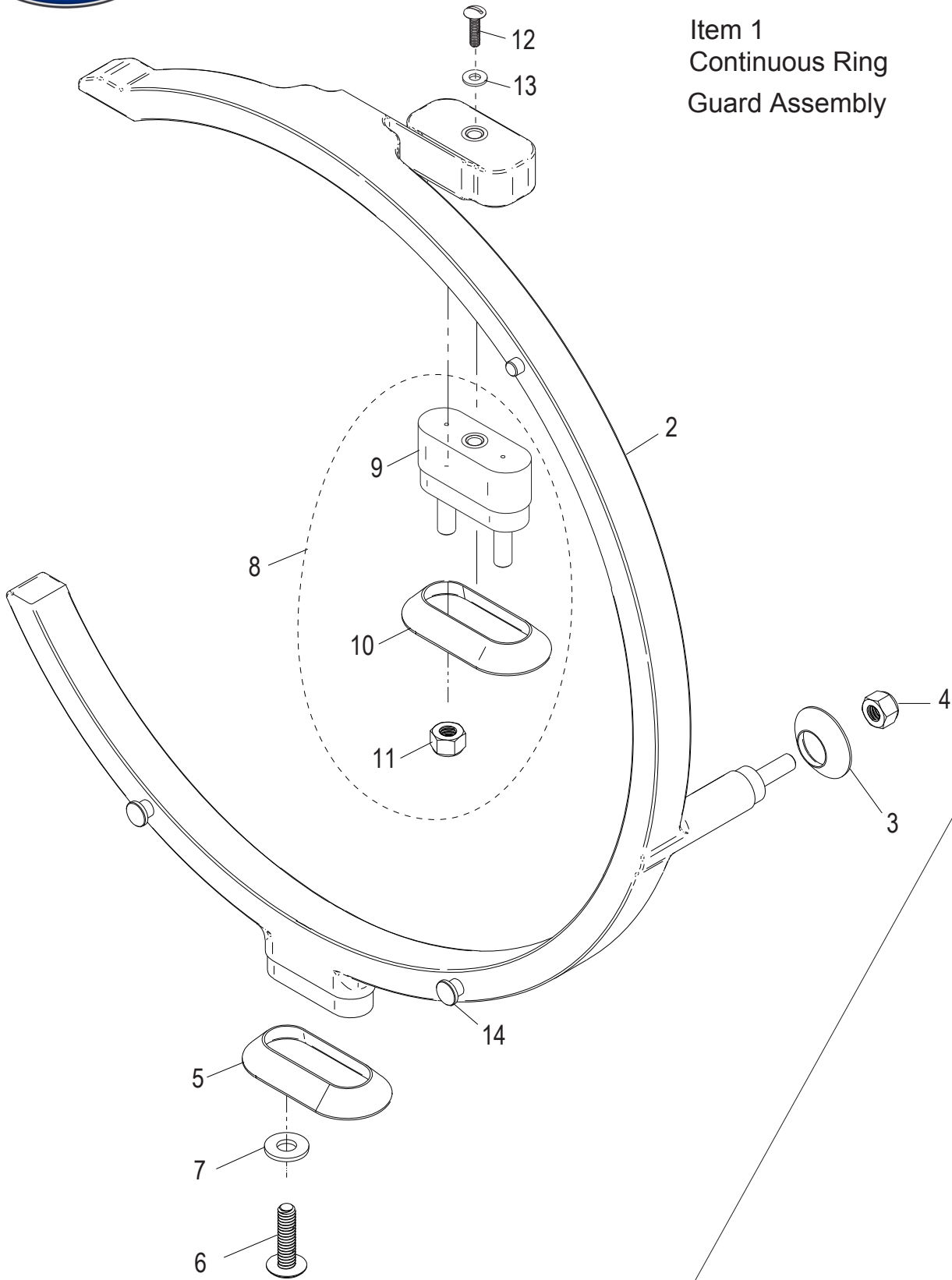
## SG13E Ring Guard Assembly Components

Item	Part Number	Description	Qty	Serial Number
1	500047-02	Ring Guard Assembly Kit (Incl. items 2-19)	1	
2	520316-02	Ring Guard	1	
3	520243	Round Boot, Ring Guard	1	
4	810438	Nylon-Insert Nut 1/4-20 Grade 5 Stl Zinc Plated	1	
5	520242	Oval Boot, Ring Guard	1	
6	810358	Mach. Screw 1/4-20x1 Truss Hd Slotted	2	
7	810345	Flat Washer 1/4 Screw Thread (18-8 SST)	2	
8	450213	Ring Guard Spacer Assembly (Incl. items 9-11)	1	
9	460064	Spacer, Ring Guard	1	
10	520242	Oval Boot, Ring Guard	1	
11	810438	Nylon-Insert Nut 1/4-20 Grade 5 Stl Zinc Plated	2	
12	460069	Sharpener Mount Assembly Kit (Incl. items 13-16)	1	
13		Sharpener Mount Assembly	1	
14	800185	Acorn Nut, 1/4-28 SST	1	
15	800184	Curved Disk Spring, 1/4" Rod Size	1	
16	810483	Slotted Set Screw 10-32	1	
17	810358	Mach. Screw 1/4-20x1 Truss Hd Slotted	1	
18	810345	Flat Washer 1/4 Screw Thread (18-8 SST)	1	
19	450130	Locator Pin	2	



# SG13E Continuous Ring Guard Assembly Components

Item 1  
Continuous Ring  
Guard Assembly



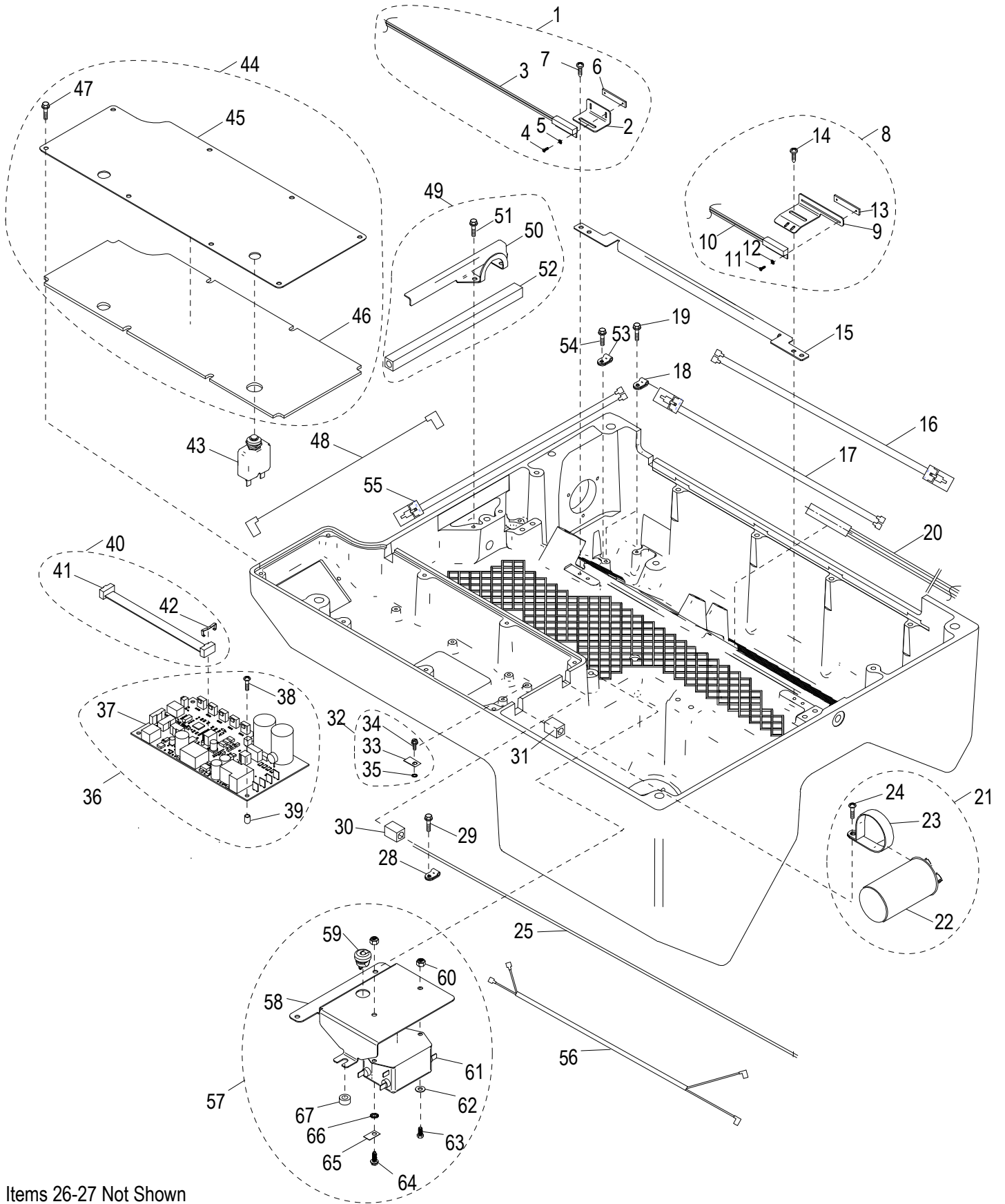


## SG13E Continuous Ring Guard Assembly Components

Item	Part Number	Description	Qty	Serial Number
1	550017-02	Continuous Ring Guard Assembly Kit (Incl. items 2-14)	1	
2	520275-02	Continuous Ring Guard	1	
3	520243	Round Boot, Ring Guard	1	
4	810438	Nylon-Insert Nut 1/4-20 Grade 5 Stl Zinc Plated	1	
5	520242	Oval Boot, Ring Guard	1	
6	810358	Mach. Screw 1/4-20x1 Truss Hd Slotted	2	
7	810345	Flat Washer 1/4 Screw Thread (18-8 SST)	2	
8	450213	Ring Guard Spacer Assembly (Incl. items 9-11)	1	
9	460064	Spacer, Ring Guard	1	
10	520242	Oval Boot, Ring Guard	1	
11	810438	Nylon-Insert Nut 1/4-20 Grade 5 Stl Zinc Plated	2	
12	810358	Mach. Screw 1/4-20x1 Truss Hd Slotted	1	
13	810345	Flat Washer 1/4 Screw Thread (18-8 SST)	1	
14	450130	Locator Pin	2	



# SG13E Electrical Base Components



Items 26-27 Not Shown



## SG13E Electrical Base Components

Item	Part Number	Description	Qty	Serial Number
1	121083	Home Sensor Kit (Incl. items 2-7)	1	
2		Home/Cut Sensor Mount	1	
3		Sensor, Reed Switch, Carriage Home	1	
4		Mach. Screw #1-64x1/4, 18-8 Pan Hd. Phillips (SST)	2	
5		Lock Washer #2 Internal Tooth	2	
6		Nut Plate	1	
7	800069	Screw #8-32x3/8 Cross Rec. Pan Hd. Tapping	2	
8	121084	(Incl. items 8-14)	1	
9		Cut/Auto Engage Sensor Mount	1	
10		Sensor, Reed Switch, Cut Sensor	1	
11		Mach. Screw #1-64x1/4, 18-8 Pan Hd. Phillips (SST)	2	
12		Lock Washer #2 Internal Tooth	2	
13		Nut Plate	1	
14	800069	Screw #8-32x3/8 Cross Rec. Pan Hd. Tapping	2	
15	310208	Inner Wireway Cover	1	
16	100121	Wire Harness, Table Close Sensor	1	
17	100122	Wiring Harness, Automatic Switch	1	
18	110226	Clamp, Nylon Loop	2	
19	800069	Screw #8-32x3/8 Cross Rec. Pan Hd. Tapping	2	
20	110107	Harness, Reed Switch, Knife Cover Sensor	1	
21	121082-02	Capacitor Clamp Kit (Incl. items 22-24)	1	
22		Capacitor, Knife Motor (220V)	1	
23	110229	Capacitor Clamp	1	
24	800069	Screw #8-32x3/8 Cross Rec. Pan Hd. Tapping	1	
25	130008-01	Power Cord (220V)	1	
26		Power Supply Cord Not Shown	1	
27		Male Power Plug, Europe CEE7/7, 50Hz Not Shown	1	
28	110227	Strain Relief, Power Cord	1	
29	800057	Screw 1/4-20x.75 Hex Washer Hd Tapping	1	
30	510045-01	Sleeve, Large Diameter Wire	1	
31	510044-01	Sleeve, Small Diameter Wire	1	
32	121080	Ground Location Tab Kit (Incl. items 33 -35)	1	
33		Ground Location Tab	1	
34		Screw, Green #8-32x5/16" SL Hex Washer Hd	1	
35		Lock Washer #8 External Tooth	1	
36	121086-01	Control Board Kit (Incl. items 37-39)	1	
37		220V Auto Control Board	1	
38	800175	Screw #8-32x3/4 Crossed Recessed Tapping	4	
39	810450	Self Retaining Spacer	4	
40	121081	Ribbon Cable Kit (Incl. items 41-42)	1	
41		Ribbon Cable Assembly	1	
42		Retaining Clip, Ribbon Cable	2	
43	140017-02	Circuit Breaker (220V) Not Shown	1	
44	300063	Electronics Cover & Gasket Kit (Incl. items 45-47)	1	
45		Cover, Electronics	1	
46		Gasket, Electronic Cover	1	
47	800067	Screw #10-24x1/2 Hex Washer Hd Tapping	8	
48	100125	Wire Harness, Circuit Breaker	1	
49	300067	Front Wireway Cover Kit (Incl. items 50-52)	1	
50		Cover, Front Wireway	1	
51	800067	Screw #10-24x1/2 Hex Washer Hd Tapping	2	
52	510045-02	Sleeve, Large Diameter Wire	1	
53	110230	Nylon Loop Clamp 5/16	1	



## SG13E Electrical Base Components

---

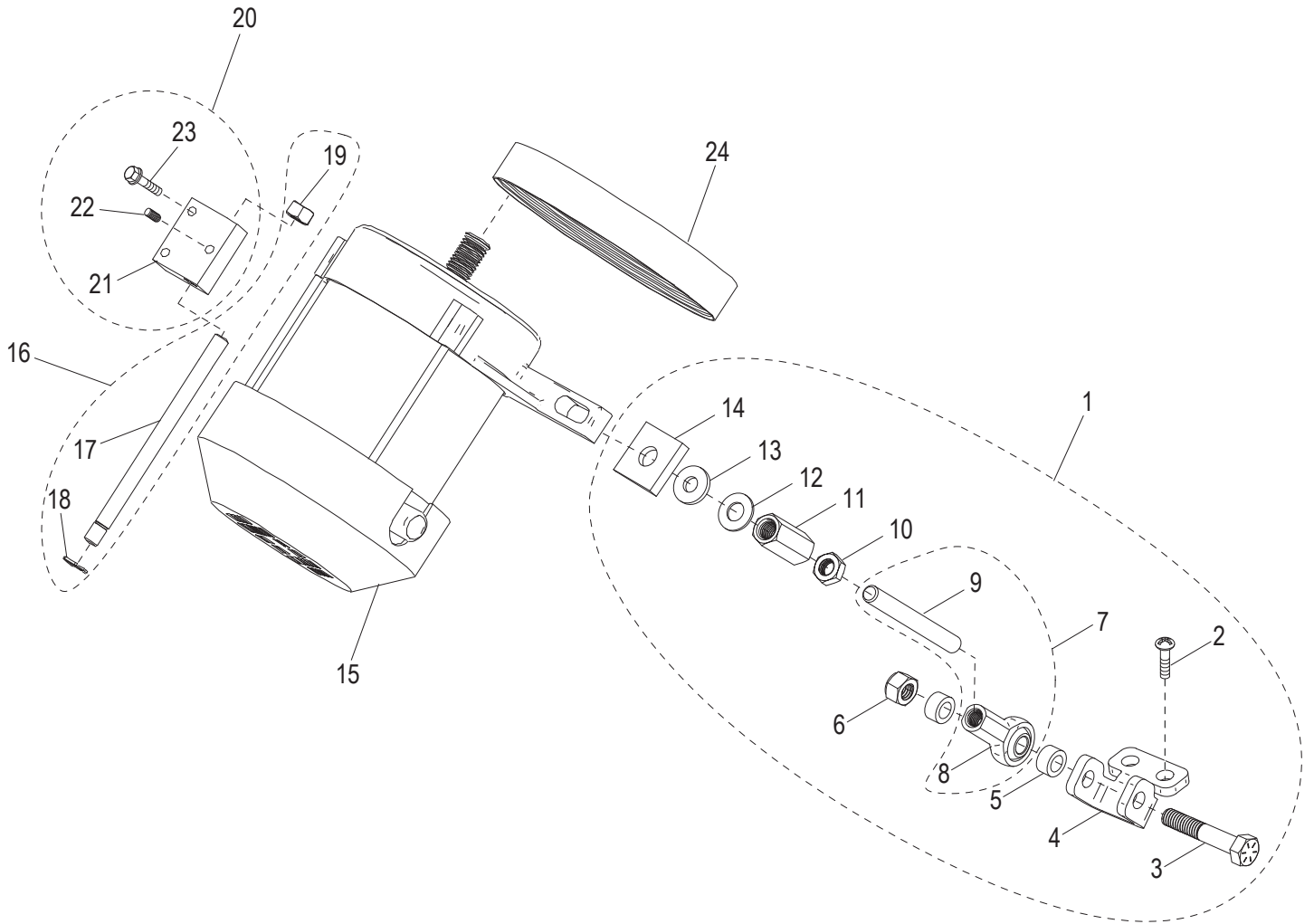
Item	Part Number	Description	Qty	Serial Number
54	800069	Screw #8-32x3/8 Cross Rec. Pan Hd. Tapping	1	
55	100120	Wiring Harness, Carriage Tilt Sensor	1	
56	130229	Wire Harness, Line Filter	1	
57	130231	Line Filter Assembly	1	
58		Mount Plate, Line Filter	1	
59	130230	Strain Relief	1	
60	890380	Nut 8-32 Nylock Hex (SS)	2	
61		Line Filter	1	
62	870072	#8 Flat Washer, SST	1	
63	800099	Mach. Screw #8-32x3/8 Hex Hd	1	
64		Screw, Green #8-32x5/16" SL Hex Washer Hd	1	
65		Ground Location Tab	1	
66		Lock Washer #8 External Tooth	1	
67	450248	Standoff, Line Filter	1	



*INTENTIONALLY LEFT BLANK PAGE*



# SG13 Knife Drive Motor Components



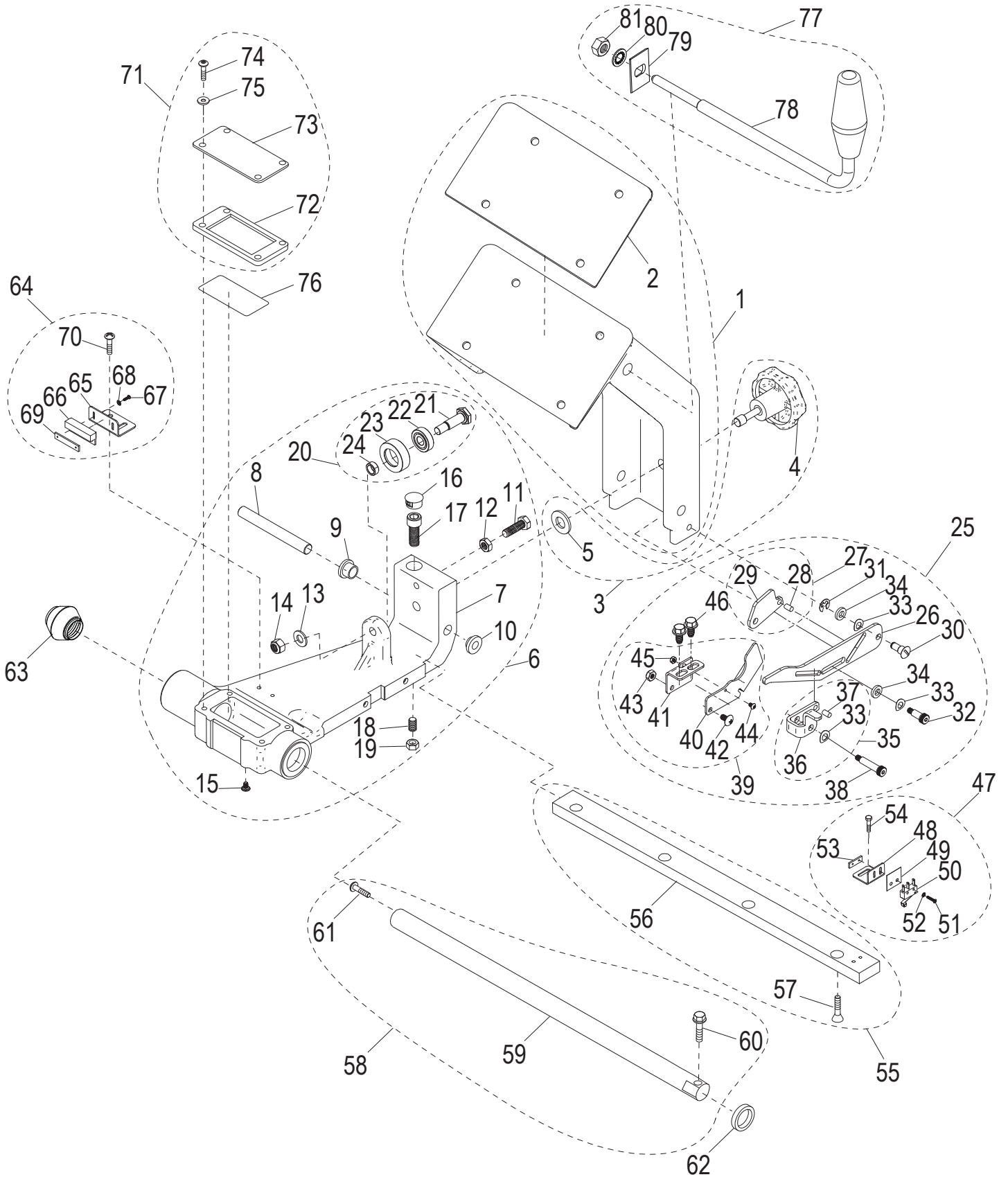


## SG13 Knife Drive Motor Components

Item	Part Number	Description	Qty	Serial Number
1	400124	Knife Tensioner Kit (Incl. items 2-14)	1	
2	800135	Thread Forming Screw 1/4-20x5/8 PHP	2	
3		Cap Screw 5/16-18 x 1-3/4, Grade 8 Hex Hd	1	
4		Knife Motor Tensioner Bracket	1	
5		Sleeve Spacer	2	
6	810420	Nyloc Nut 5/16-18, Grade 5	1	
7	400125	Threaded Ball Joint, Knife Tensioner (Incl. items 8-9)	1	
8		Ball Joint Rod End 5/16'-24 Thd	1	
9		Tension Shaft 5/16-24 x 3 Full Thread	1	
10		Nut 5/16-24 UNF Zinc Plated Steel Hex Jam	1	
11		Nut 5/16-24x1 Hex Coupling	1	
12	810416	Flat Washer 5/16 (Zinc)	1	
13	810417	Washer 5/16 Neoprene	1	
14	800161	Washer 5/16 Leveling	1	
15	120158-03	Knife Drive Motor, Single Phase, 220V, 50Hz	1	
16	400113	Motor Mount Pivot Rod Assembly (Incl. items 17-19)	1	
17		Motor Mount Pivot Rod	1	
18	810429	Retaining Ring, 5304-31 (Klipring)	1	
19	810420	Nyloc Nut 5/16-18, Grade 5	1	
20	400123	Motor Pivot Block Kit (Incl. items 21-23)	1	
21		Motor Pivot Block	1	
22	800094	Set Screw #10-32x1/4, Knurl-Grip Cup Pt.	1	
23	800068	Washer #10-24x1 Hex Hd Tap. Screw Slotted	2	
24	800092	Knife Drive Belt	1	



# SG13E Transport Arm Assembly Components





## SG13E Transport Arm Assembly Components

Item	Part Number	Description	Qty	Serial Number
1	400195	Carriage Arm & Gasket Kit (Incl. item 2)	1	
2	500004	Carriage Arm Gasket	1	
3	500052	Carriage Knob & Captive Clip Kit (Incl. items 4-5)	1	
4		Carriage Arm Tie Down Knob	1	
5	800180	Washer, Nylon	1	
6	400115	Transport Replacement Assembly (Incl. items 7-24)	1	
7		Transport with Bushings	1	
8	400017	Transport Attachment Pin	1	
9		Shoulder Washer .51 IDx.88 Nylon	1	
10		Shoulder Washer .51 IDx1.125 Nylon	1	
11	810406	Hex Cap Screw 5/16-24x1,18-8 (SST)	1	
12		Shoulder Washer .51 IDx1.125 Nylon	1	
13	810272	Flat Washer 5/16 Screw Size (SST)	1	
14	810420	Nyloc Nut 5/16-18, Grade 5	1	
15		Mach. Sealing Screw 8-32x1/4 PH Phillips	1	
16		Dome Plug for 5/8 Hole	1	
17		Socket Hd Cap Screw 3/8-16 x 1 (SST)	1	
18	800015	Transport Tie Down Screw	1	
19	800048	Nut 5/16-24 Hex UNF Thread (Zinc Plated Steel)	1	
20	800014	Roller Bearing Assembly (Incl. items 21-24)	1	
21		Roller Bearing Bolt	1	
22		Roller Bearing	1	
23		Bearing Sleeve	1	
24		Spacer Sleeve	1	
25	300061	Table Interlock Kit (Incl. items 26-46)	1	
26		Transport Slide Lock Plate	1	
27		Lock Plate Assembly	1	
28		Lock Plate	1	
29		Dowel Pin, 5/32 x 5/16 (SST)	1	
30		Reverse Shoulder Bolt	1	
31		E-Clip Retaining Ring for 1/4" Shaft	1	
32		Shoulder Bolt 1/4" x 1/2", #10-32 Thread	1	
33		Curved Disk Spring .265 ID,.490 OD,.011 Thick	3	
34		Washer, Nylon .265 ID, .50 OD, .094 Thick	2	
35		Cam Lock Plate Assembly (Incl. items 36-37)	1	
36		Cam Lock Plate	1	
37		Dowel Pin, 5/32 x 5/16 (SST)	1	
38		Shoulder Bolt 1/4" x 1", #10-32 Thread	1	
39		Lock Out Assembly (Incl. items 40-45)	1	
40		Pivot Stop Plate	1	
41		Slide Pivot Plate Bracket	1	
42	810457	Mach. Screw, #10-32 x 1/2 Phil Truss	1	
43		Nut #10-32 Thin Nylon Lock Hex	1	
44		Mach. Screw #5-40 x 1/2 Button Socket Cap	1	
45	800170	Hex Nut, Nylon Lock #5-40	1	
46	800057	Screw 1/4-20x.75 Hex Washer Hd Tapping	2	
47	121089	Carriage Tilt Switch Kit (Incl. items 48-54)	1	
48		Carriage Tilt Back Sensor Mount	1	
49		Micro Switch Insulator	1	
50		Micro Switch	1	
51		Mach. Screw #2-56x7/16 Pan Hd. Phillips	2	
52		Lock Washer #2 Internal Tooth	2	
53		Nut Plate	1	



## SG13E Transport Arm Assembly Components

Item	Part Number	Description	Qty	Serial Number
54	800099	Mach. Screw #8-32x3/8 Hex Hd	2	
55	400131	Transport Roller Bar Kit (Incl. items 56-57)	1	
56		Transport Roller Bar	1	
57	810004	Tapping Screw 1/4-20x1 Cross Rec. FH	4	
58	400132	Transport Shaft Kit (Incl. items 59-61)	1	
59		Transport Shaft	1	
60	800059	Washer 5/16-18x1.25 Hex Hd Tapping Screw	1	
61	800071	Mach. Screw 5/16-18x1 Truss Hd Slotted	1	
62	500005	Transport Bumper	1	
63	800131	Sleeved Spring Assembly	1	
64	121090	Carriage Magnet Kit (Incl. items 65-70)	1	
65		Transport Switch Magnet Mount	1	
66		Magnet	1	
67		Mach. Screw #1-64x1/4, 18-8 Pan Hd. Phillips (SST)	2	
68		Lock Washer #2 Internal Tooth	2	
69		Nut Plate	1	
70	800069	Screw #8-32x3/8 Cross Rec. Pan Hd. Tapping	2	
71	300064	Transport Cover Kit (Incl. items 72-75)	1	
72	510058	Oil Well Gasket	1	
73	300080	Transport Cover	1	
74	800109	Screw 1/4-20x.50 Button Hd Cap	4	
75		Washer 1/4 Flat	4	
76	800053	Felt Insert	1	
77	400188	Carriage Arm Handle Assembly with Nut (Incl. items 78-81)	1	
78		Carriage Arm Handle	1	
79	450239	Anti Rotation Block	1	
80	810226	Lock Washer, 1/2 Screw Size, Internal Tooth	1	
81	810224	Hex Nut, 1/2-13 Left Hand, Thread	1	

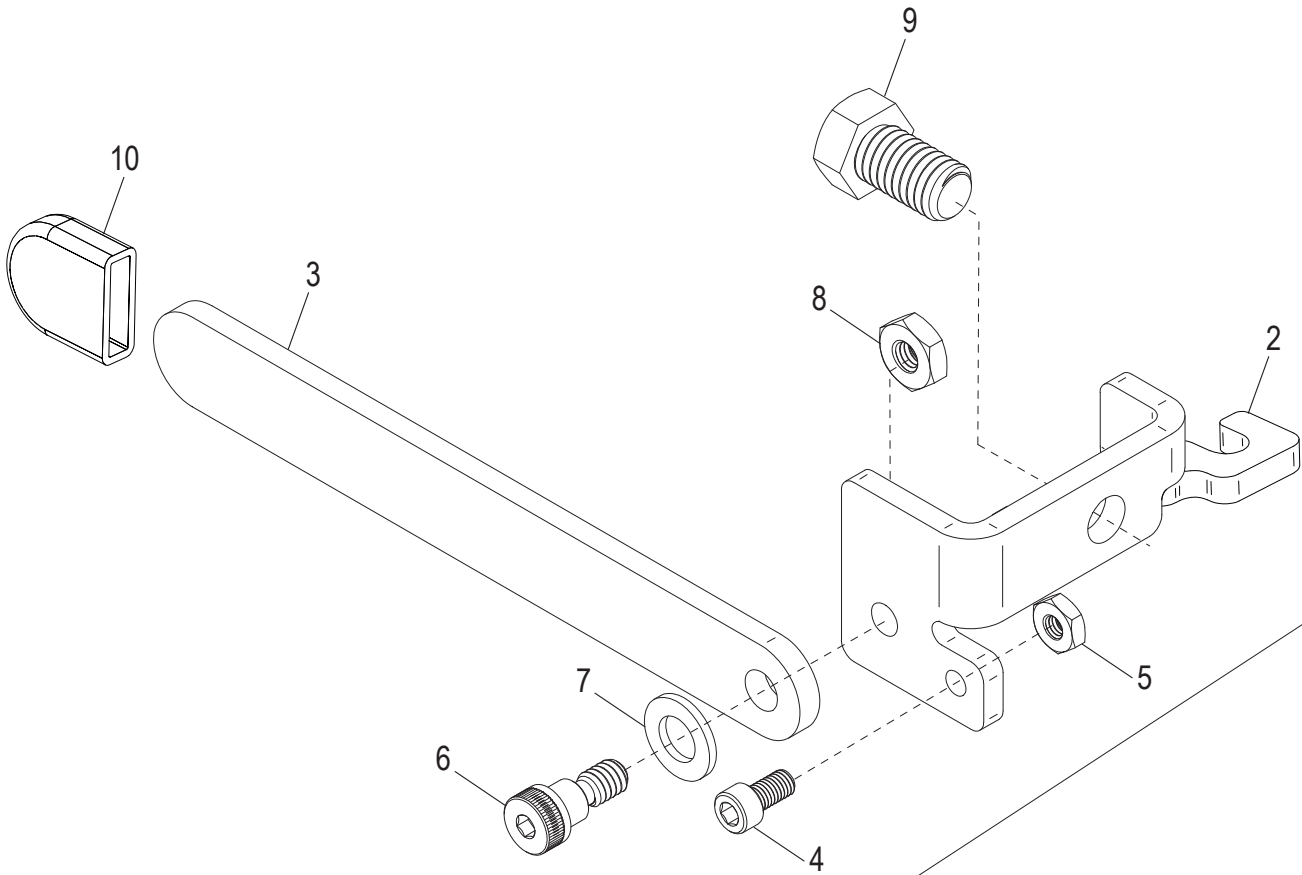


*INTENTIONALLY LEFT BLANK PAGE*



# SG13E Lift Lever Base Components

## Item 1 Manual Kickstand Assembly





## SG13E Lift Lever Base Components

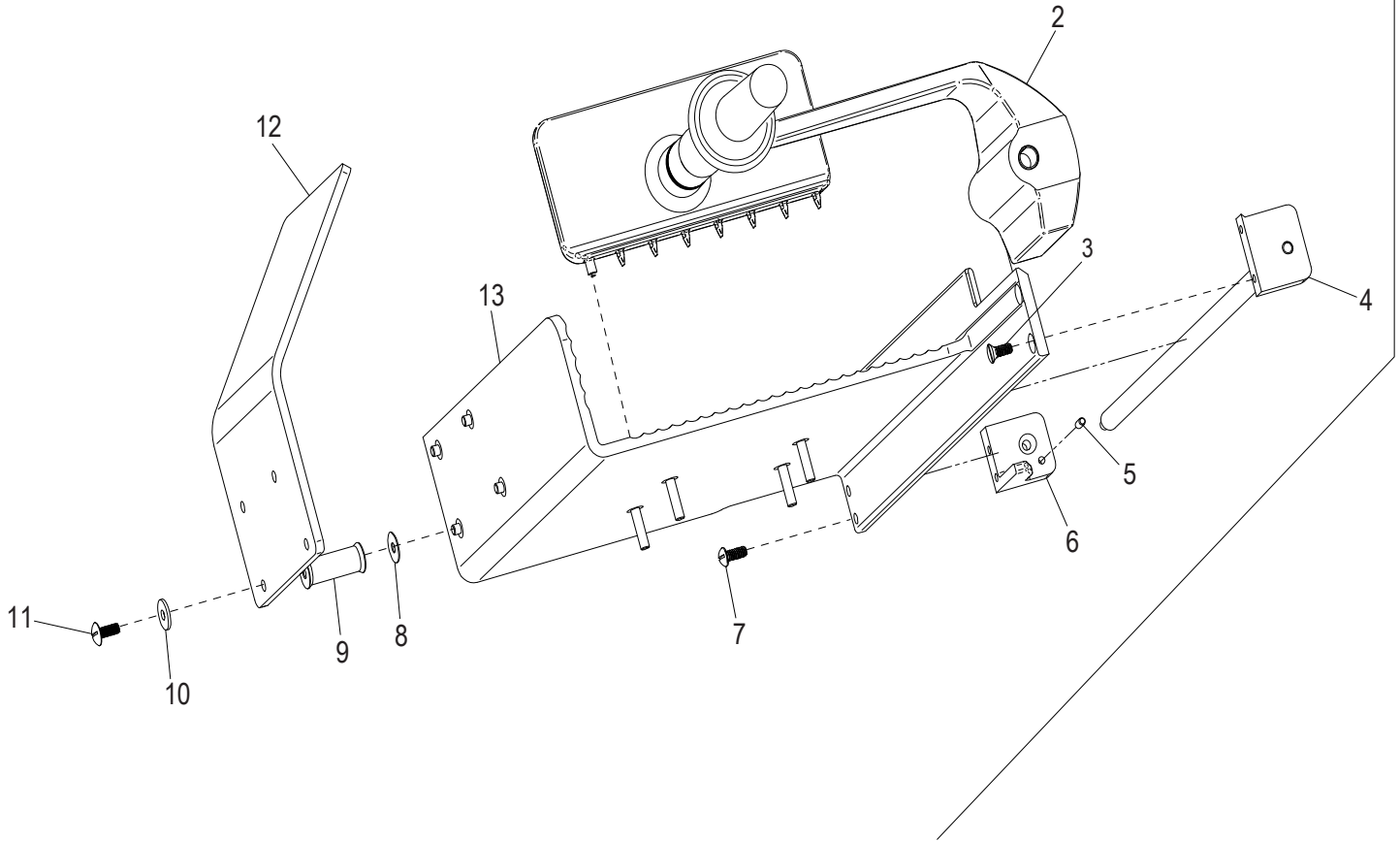
---

Item	Part Number	Description	Qty	Serial Number
1	300046	Manual Kickstand Assembly (Incl. items 2-10)	1	
2		Manual Kickstand Bracket	1	
3		Manual Kickstand Arm	1	
4		Socket Hd. Cap Screw #10-32 x 3/8 SST	1	
5		Hex Nut #10-32 SST	1	
6		Long Shoulder 5/16" Dia. x 1/4" Screw 1/4"-20 Thrd	1	
7	810272	Flat Washer 5/16 Screw Size (SST)	1	
8		Nylon-Insert Thin Hex Nut 1/4-20 SST	1	
9		Cap Screw, Hx Hd 5/16-18 UNC x 3/4	1	
10		Manual Kickstand Boot	1	



# SG13E Carriage Assembly Components

Item 1  
Carriage Assembly





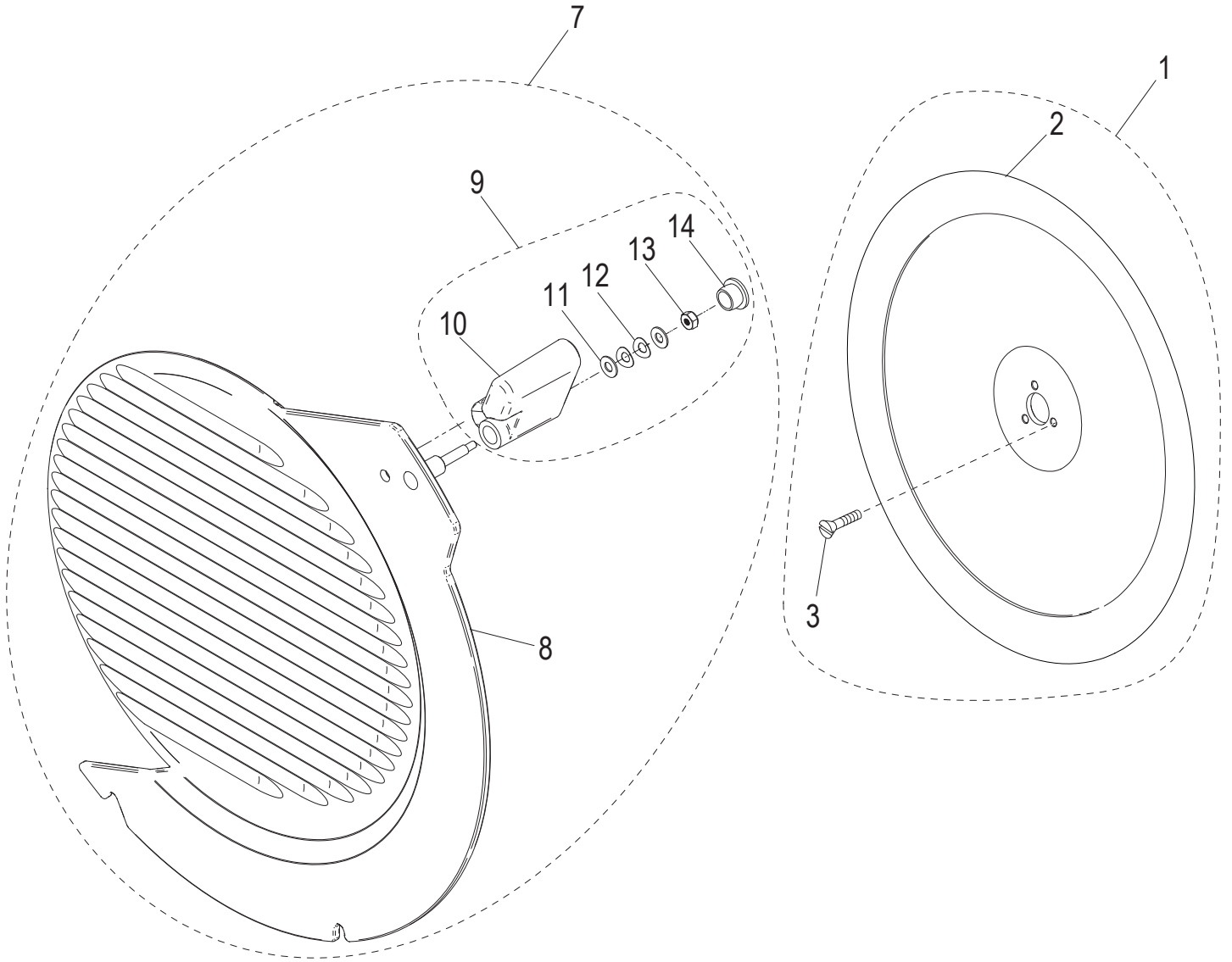
## SG13E Carriage Assembly Components

---

Item	Part Number	Description	Qty	Serial Number
1	450241	Carriage Assembly (Incl. items 2-13)	1	
2		End Weight Assembly	1	
3	800037	Mach. Screw 1/4-20 x 5/8 FH Slotted	2	
4		End Weight Shaft Assembly	1	
5	800205	Stop Pin, Delrin End Weight	1	
6		End Weight Stop	1	
7	800038	Mach. Screw 1/4-20 x 5/8 RH Slotted	2	
8		Gasket, Standoff	4	
9		Standoff, Shield	4	
10	800206	Washer 1/4 Flat	4	
11	890341	Machine Screw, Truss Hd	1	
12	510075	Shield	1	
13	400012	Carriage Insert Assembly	1	



# SG13E Knife and Knife Cover Components



Items 4-6 Not Shown

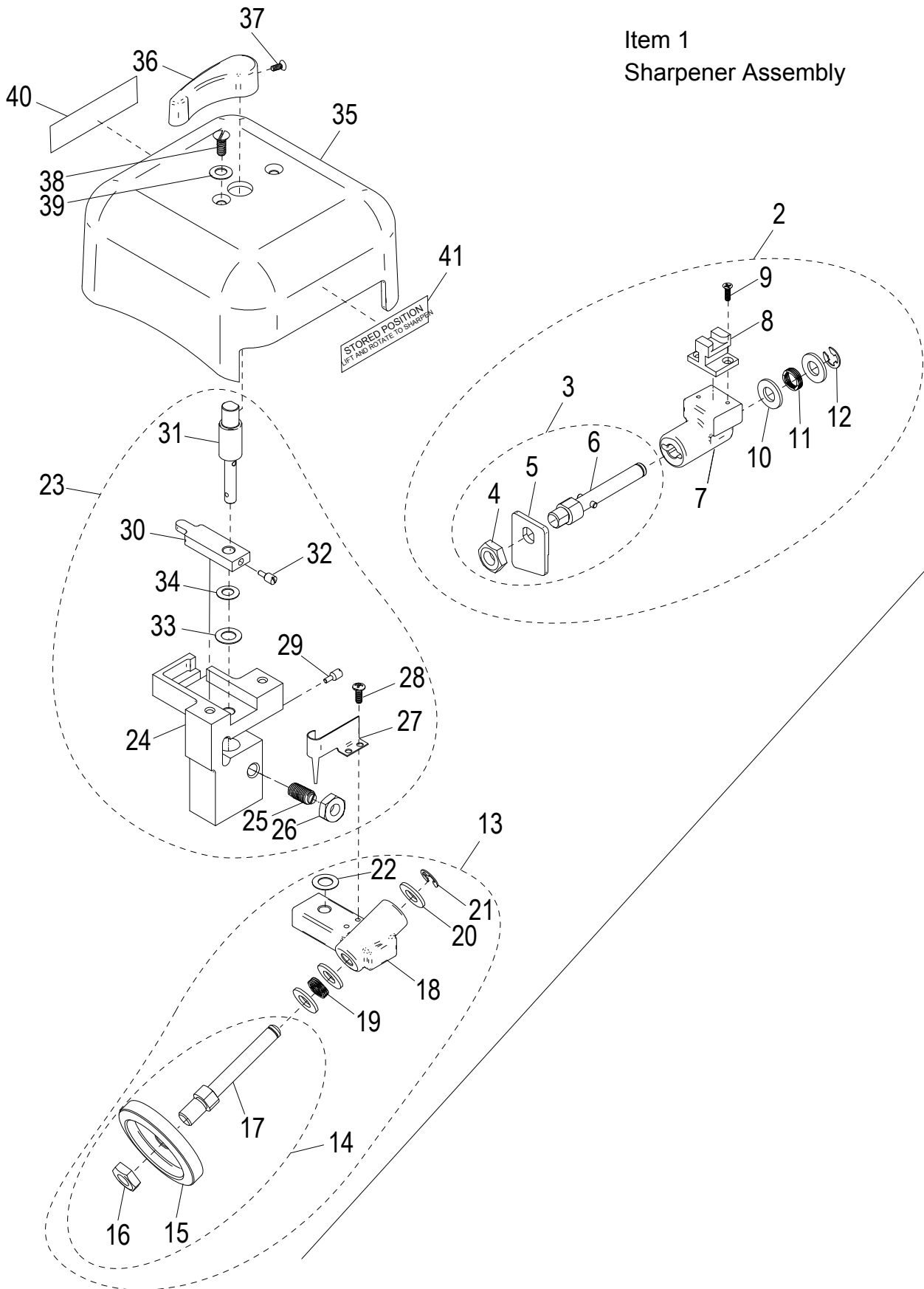


## SG13E Knife and Knife Cover Components

Item	Part Number	Description	Qty	Serial Number
1	400139	Knife Kit (Incl. items 2-3)	1	
2		Knife, 13 Inch Steel	1	
3	810274	Mach. Screw, Flat Hd Slotted 10-32x1/2 (SST)	3	
4	400161	Stainless Steel Knife Kit (Incl. items 5-6) Not Shown	1	
5		Knife, 13 inch (SST) Not Shown	1	
6	810274	Mach. Screw, Flat Hd Slotted 10-32x1/2 (SST) Not Shown	3	
7	250247	Knife Cover Assembly (Incl. items 8-14)	1	
8	460090	Knife Cover Sub-Assembly	1	
9	500045	Knife Cover Swivel Lock Assembly (Incl. items 10-14)	1	
10		Knife Cover Swivel Lock	1	
11		Flat Washer #10 Thin Profile	2	
12		Curved Disk Spring	2	
13		Nut, 6-32 INC-2B Hex, with Nylon Insert	1	
14	520237	Barrel Plug, Push-In	1	



# SG13E Sharpener Assembly Components



Item 1  
Sharpener Assembly



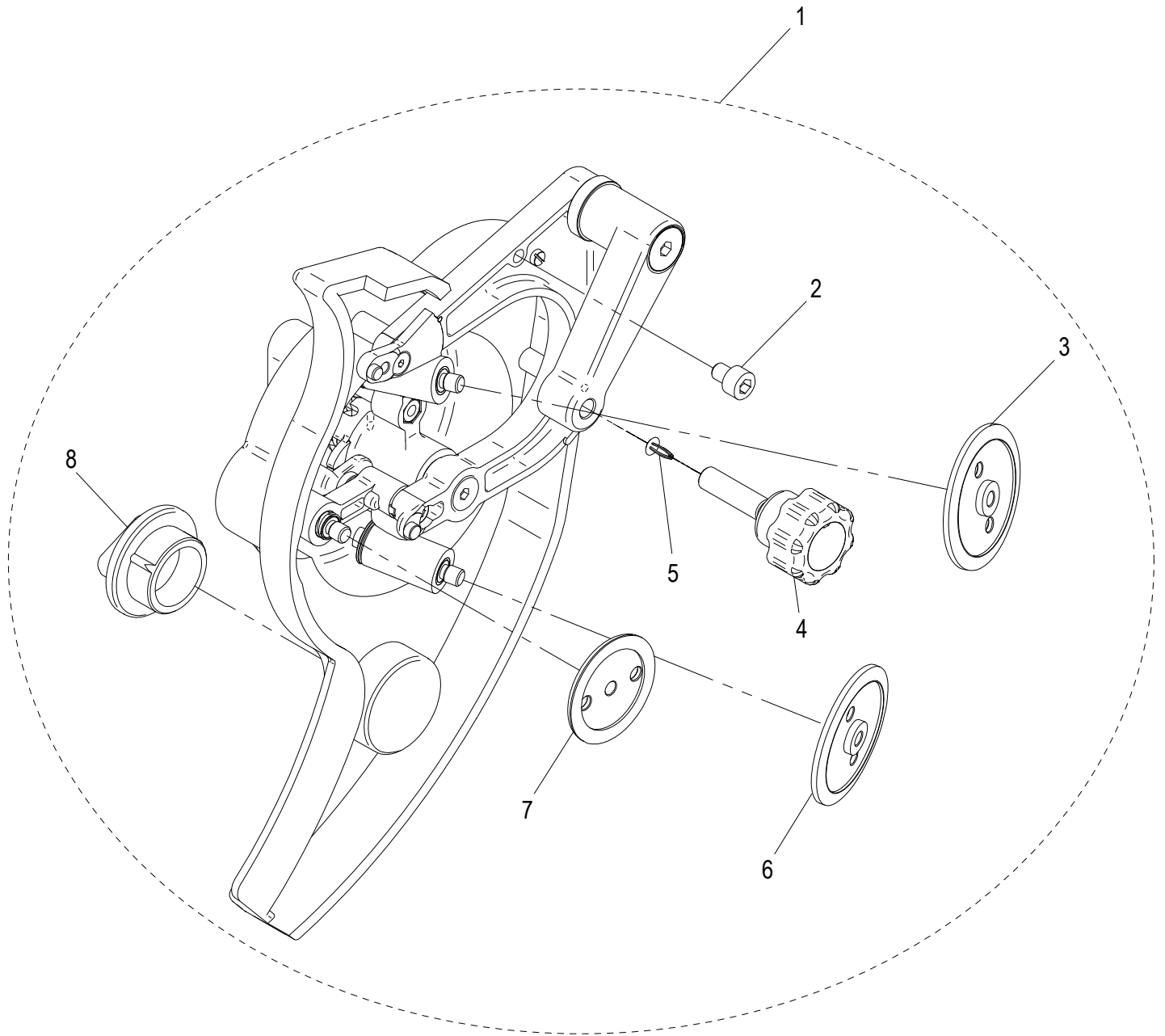
## SG13E Sharpener Assembly Components

Item	Part Number	Description	Qty	Serial Number
1	440044	Sharpener Assembly (Incl. items 2-39)	1	
2	430051	Honing Stone Assembly (Incl. items 3-12)	1	
3		Honing Stone Shaft Assembly (Incl. items 4-6)	1	
4	890390	Jam Nut 3/8-24 Sharpener Wheel	1	
5	240045	Honing Stone	1	
6		Honing Stone Shaft Assembly	1	
7		Honing Stone Bracket	1	
8		Honing Stone Slide	1	
9		Mach. Screw 4-40x3/8 FH Phillips	2	
10	810272	Flat Washer 5/16 Screw Size (SST)	2	
11		Wave Spring, Honing Stone	1	
12		Retaining Ring, Type E, for 5/16 Shaft	1	
13	430052	Sharpening Stone Assembly (Incl. items 14-22)	1	
14		Sharpening Stone Shaft Assembly (Incl. items 15-17)	1	
15	410048	CBN Sharpening Stone	1	
16		Hex Nut 3/8-24 UNF-2B	1	
17		Sharpening Stone Shaft	1	
18		Sharpening Stone Bracket	1	
19		Wave Spring, Sharpening Stone	1	
20	810272	Flat Washer 5/16 Screw Size (SST)	3	
21		Retaining Ring, Type E, for 5/16 Shaft	1	
22	810437	Flat Washer	1	
23	400137	Sharpener Mount Center Kit (Incl. items 24-32, 40-41)	1	
24		Sharpener Center Mount	1	
25		Slotted Ball Plunger, 1/4-28 SST	1	
26		Thin Hex Nut, 1/4-28	1	
27		Sharpener Return Spring	1	
28		Mach. Screw 6-32x3/8 Pan Hd Cross-Rec.	2	
29		Slotted Set Screw 10-32 Sharpener Actuator	1	
30		Honing Stone Lever	1	
31		Sharpener Handle Shaft	1	
32		Slotted Set Screw 10-32 Sharpener Actuator	1	
33	810437	Flat Washer	1	
34	800184	Curved Disk Spring, 1/4" Rod Size	1	
35	250069	Sharpener Cover	1	
36	510041	Sharpener Handle, Top Refer to Serial Number Document	1	
36	500070	Sharpener Handle, Top Refer to Serial Number Document	1	
37	810233	Mach. Screw 8-32x1/2 Black, Phillips, w/Nylon Patch Refer to Serial Number Document	1	
37	800223	Mach. Screw 8-32 x 3/8 Black, FH Phillips Refer to Serial Number Document	1	
38	810246	Mach. Screw, Truss Hd Slotted 10-32x1/2 (SST)	2	
39		Curved Disk Spring	2	
40	920215	Label, Sharpen Position	1	
41	920216	Label, Stored Position	1	



# SG13E Front Mounted Sharpener - Option

Used with Continous Ring Guard Assembly





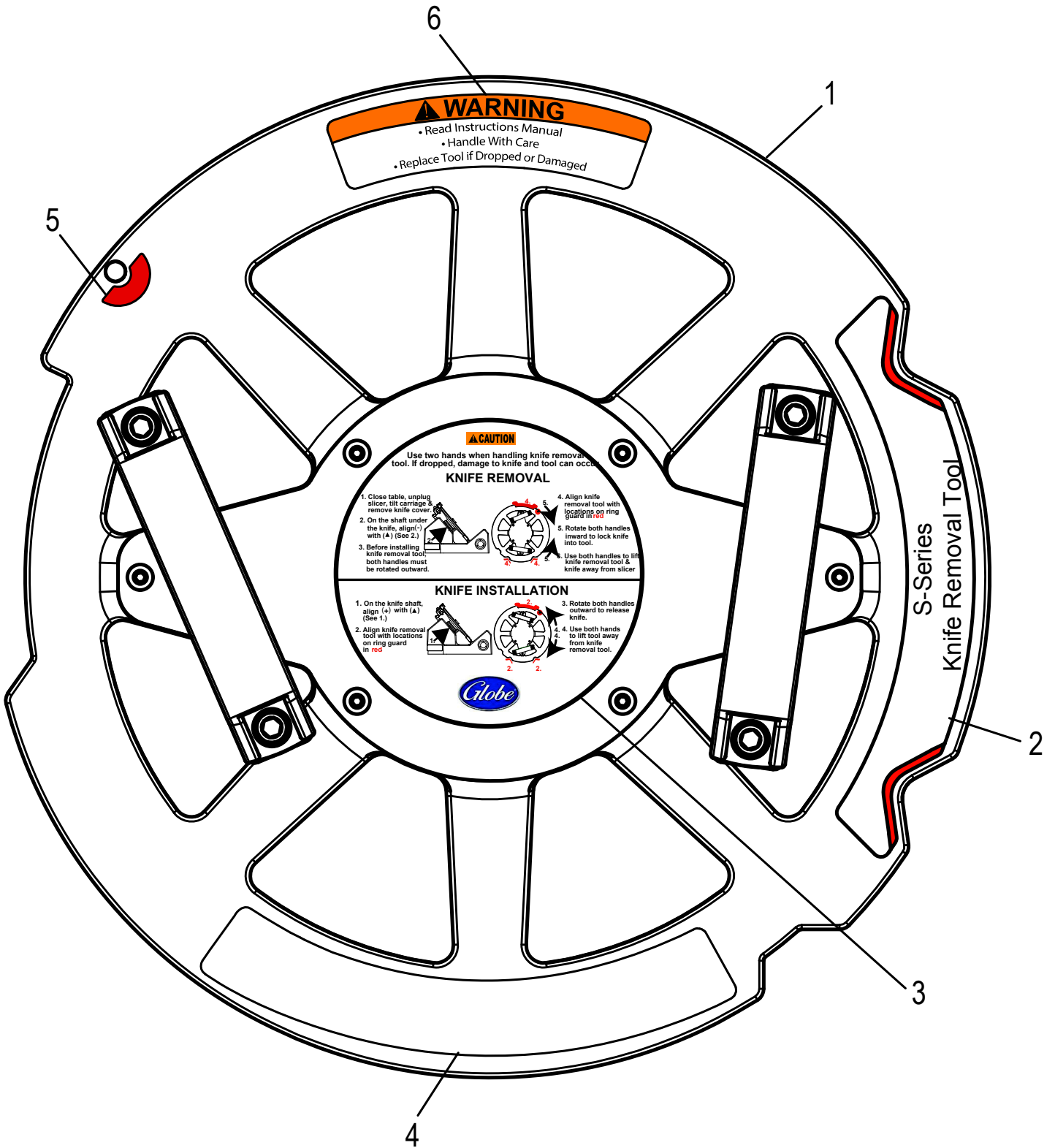
## **SG13E Front Mounted Sharpener - Option**

---

<b>Item</b>	<b>Part Number</b>	<b>Description</b>	<b>Qty</b>	<b>Serial Number</b>
1	460080	Sharpener, Front Mounted	1	
2	800210	Screw M6x1.6mm Socket Hd Cap	1	
3	400186	Sharpening Stone, Fine	1	
4	400184	Locking Knob Assembly	1	
5	800211	Plug	1	
6	400185	Sharpening Stone, Course	1	
7	400187	Sharpening Stone, Truing	1	
8	510080	Knife Gap Set Tool	1	



# SG13E Knife Removal Tool - Option





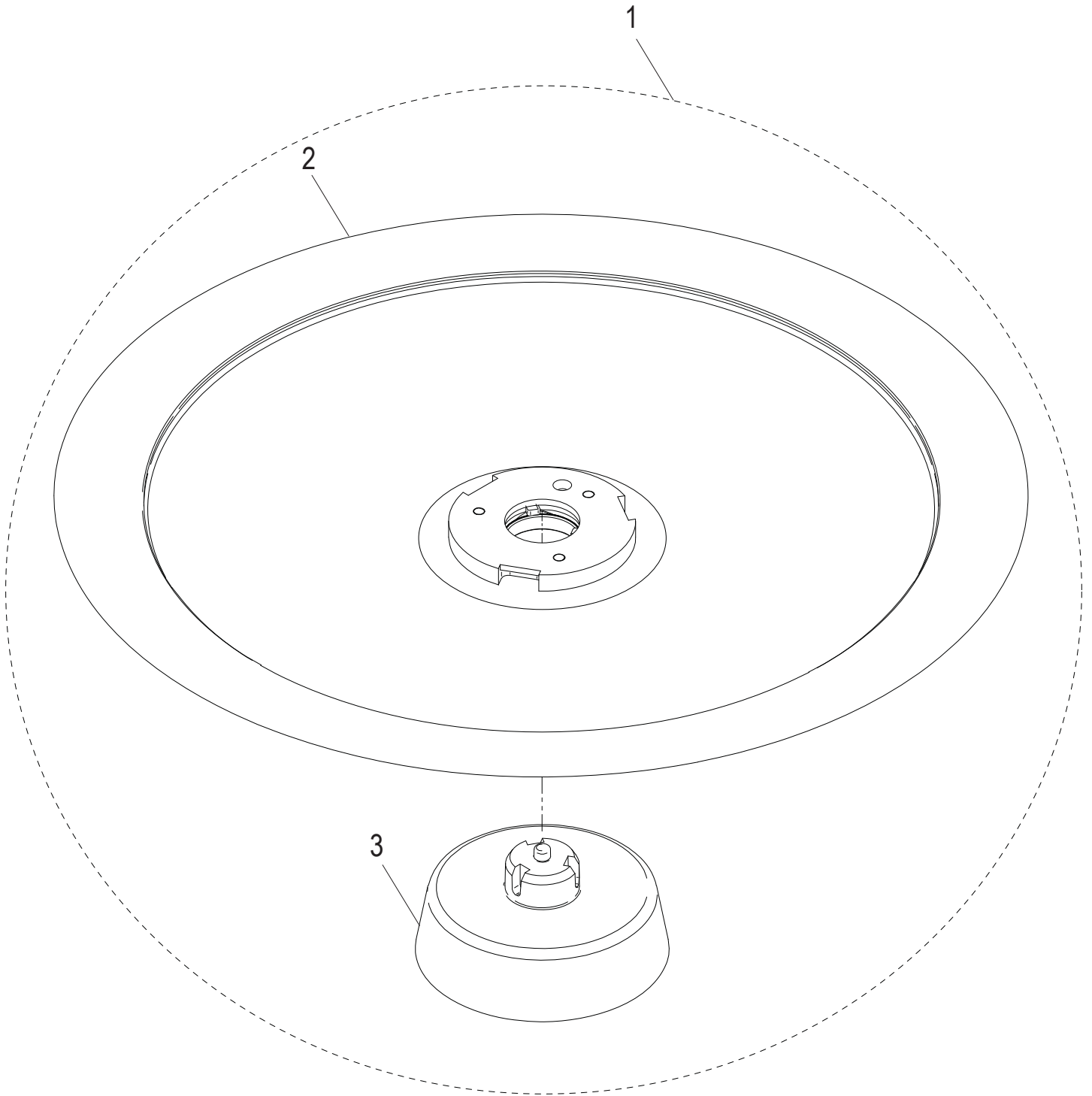
## SG13E Knife Removal Tool - Option

---

Item	Part Number	Description	Qty	Serial Number
1	450200	Removable Knife Tool Assembly	1	
2	920227	Dual Pin Location Decal	1	
2		French Dual Pin Location Decal	1	
2		Spanish Dual Pin Location Decal	1	
2		Italian Dual Pin Decal	1	
3	920226	Instructional Label	1	
3		Spanish Instructional Label	1	
3		Italian Instructional Label	1	
4	920237	French Caution Label	1	
4		Spanish Caution Label	1	
4		Italian Caution Label	1	
5	920232	Single Pin Location Decal	1	
6	920225	Warning Label	1	
6		French Warning Label	1	
6		Spanish Warning Label	1	
6		Italian Warning Label	1	



# SG13E Removable Knife Kit - Option





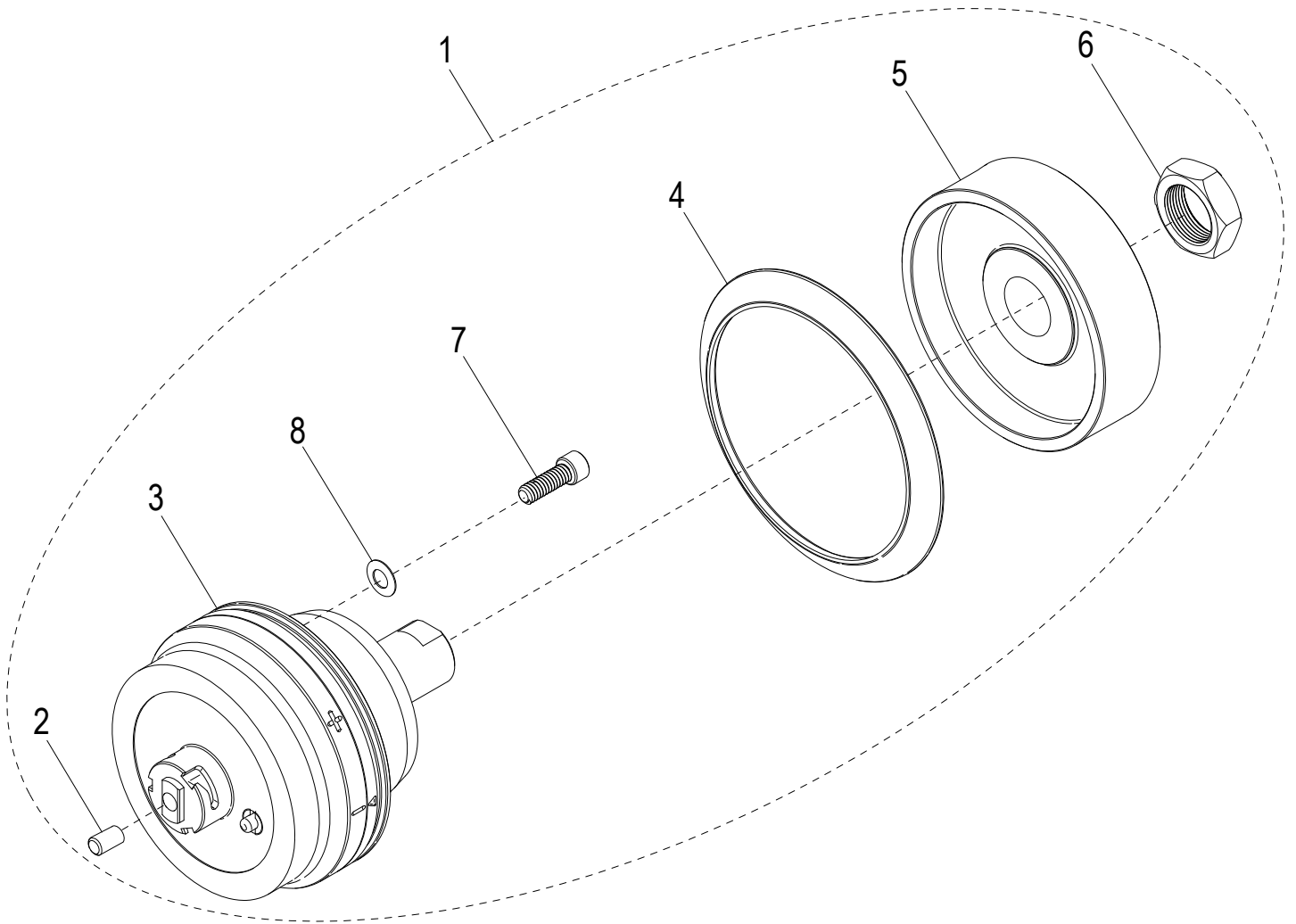
## SG13E Removable Knife Kit - Option

---

Item	Part Number	Description	Qty	Serial Number
1	450222-01	Removable Knife Kit	1	
2		Knife, 13" Removable	1	
3		Post, Service Knife Release	1	
4	450222-03	Removable Knife Kit, SST (Not Shown)	1	
5		Knife, 13" SST Removable (Not Shown)	1	
6		Post, Service Knife Release (Not Shown)	1	



# SG13E Removable Knife Drive Kit - Option





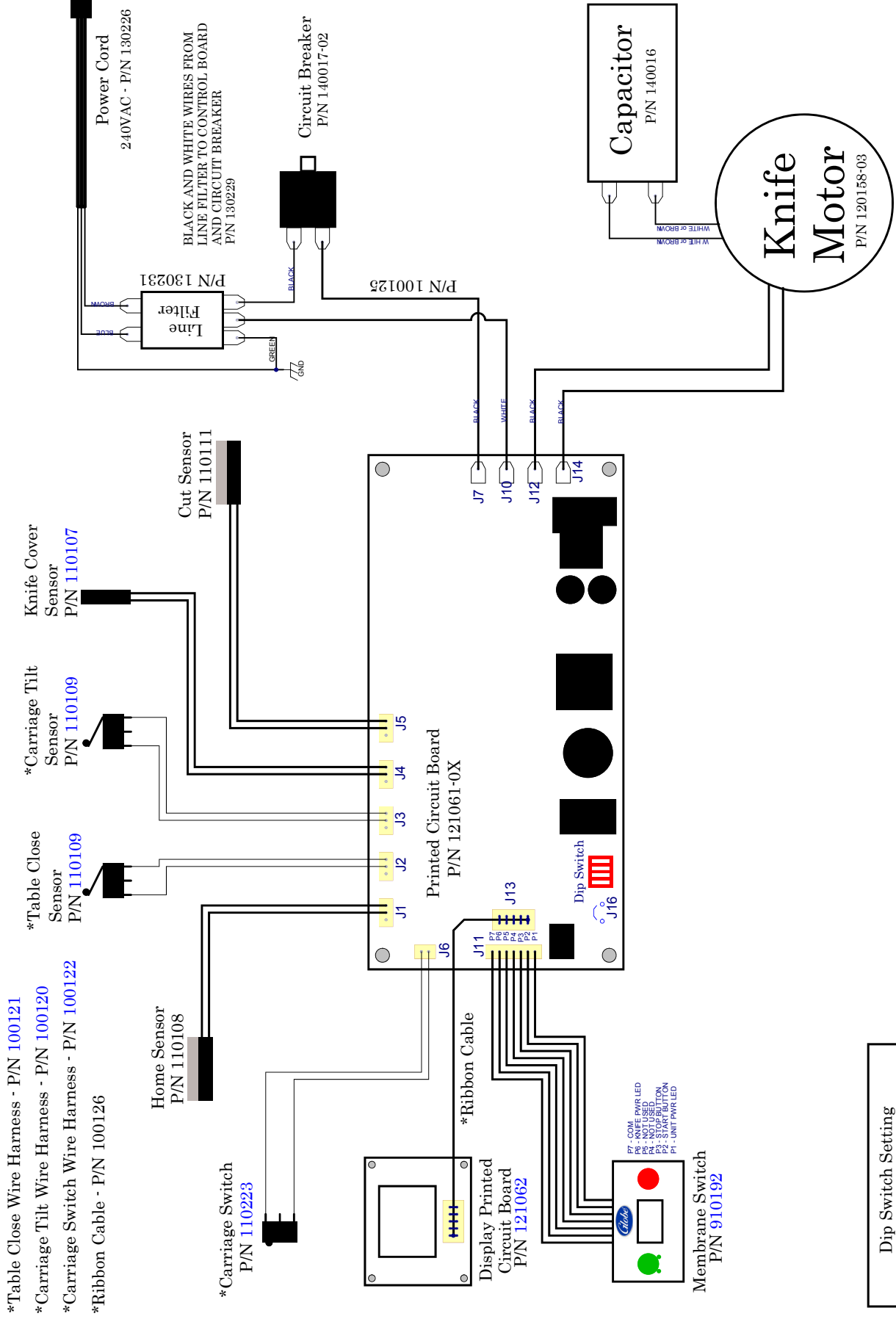
## SG13E Removable Knife Drive Kit - Option

---

Item	Part Number	Description	Qty	Serial Number
1	450226-01	Removable Knife Drive Kit	1	
2	1193	Plug	1	
3		Shaft, Removable Knife Drive	1	
4	520244	Knife Drive Boot	1	
5	450115	Knife Drive Pulley	1	
6	510033	Nut 7/8-20 Hex (Zinc)	1	
7	810229	Socket Hd. 1/4-20x3/4 Cap Screw, SST	4	
8	810275	Bellville Disc Spring Washer .255 ID x .50 OD	4	



# SG13E Wiring Schematic



- \*Table Close Wire Harness - P/N 100121
- \*Carriage Tilt Wire Harness - P/N 100120
- \*Carriage Switch Wire Harness - P/N 100122
- \*Ribbon Cable - P/N 100126

Dip Switch Setting

SG13E Manual