

# Parts Catalog



**SP60E-220-240501**

## Mixer

**Model: SP60E-220-240501**

05/22/2019 Rev-  
IMPORTANT!

TO EXPEDITE SHIPMENT OF PARTS, ALWAYS SPECIFY MODEL, REV,  
PART NUMBER, AND SERIAL NUMBER OF UNIT.

## **GLOBE FOOD EQUIPMENT COMPANY**

2215 East River Road  
Dayton, Ohio 45439

### **Parts Department**

Toll Free 1-800-745-6238 · Fax (937) 290-0585

E-Mail: [info@globefoodequip.com](mailto:info@globefoodequip.com)

Website: [www.globefoodequip.com](http://www.globefoodequip.com)

Not for resale

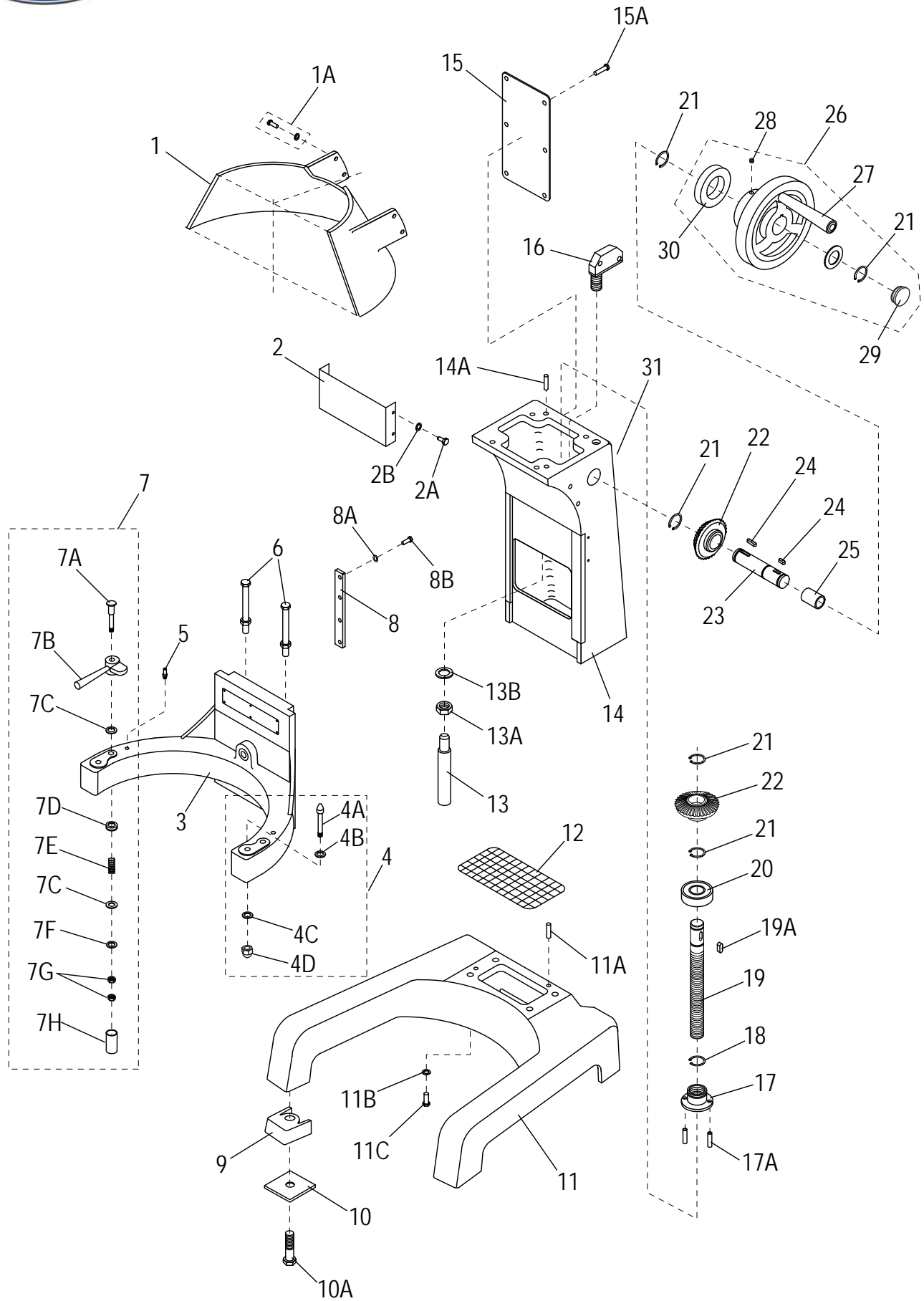


# Table of Contents

Description	Page
SP60E Base Components	4
SP60E Head Components	8
SP60E Hub Assembly Components	12
SP60E Planetary Components	14
SP60E Gearbox Components	16
SP60E Motor Components	20
SP60E Motor Brake Components	22
SP60E Digital Components	24
SP60E Wiring Diagram, 220V Single Phase	26



# SP60E Base Components





## SP60E Base Components

Item	Part Number	Description	Qty	Serial Number
1	X60036	Guard, Rear	1	
1A	X30101	Hex Screw M8x20mm & Flat Washer	4	
2	X40102	Mixer Column Cover	1	
2A	X20185	Screw M6x8mm Hex Hd	3	
2B		Washer M6 Flat	3	
3	X60034	Bowl Cradle	1	
4	X60109	Dowel Screw Assembly (Incls. items 4A-4D)	2	
4A		Dowel Screw	2	
4B		Washer M12xOD30x1.0mm	2	
4C		Washer M12 Lock	2	
4D	X40110	Cap Nut, M12-1.75, OD-19mm, HT-22mm, Class 10, Zn	2	
5	X60164	Bowl Clamp Stop Pin	2	
6	X40106	Screw M10x54mm Hex Hd/Nut (Touch Shaft)	2	
7	X01086	Clamp Assembly (Set/2)	1	
7A	X60108	Clamp Screw	2	
7B	X30033-2	Bowl Clamp (Set/2, New Style)	1	
7C		Washer M12 Flat	4	
7D		Hardware Cap Retainer	2	
7E		Spring	2	
7F		Washer M12 Split Lock	2	
7G		Nut M12 Hex	4	
7H		Hardware Cap	2	
8	X60035	Cradle Slide Guides	2	
8A		Washer M8 Flat	8	
8B	X60107	Screw M8x24mm Hex Hd	8	
9	X40162-163	Front/Rear Rubber Feet (Set)	1	
10		Shipping Washer	4	
10A		Shipping Bolt 3/8x45mm	4	
10B	450012	Seismic Flange Kit (Not Shown)	1	
11	X40038-DG	Mixer Base	1	
11A		Dowel Pin Ø8x16mm Column Locator	2	
11B		Washer M12 Flat	4	
11C		Screw M12x40mm Hex Hd	4	
12	X60037	Base Screen	1	
13	X60218	Touch Shaft M16 Bowl Stop	1	
13A	X60219	Nut M16 Hex - Bowl Stop Pin	1	
13B	X60221	Washer M16 Split Lock	1	
14	X60042	Mixer Column	1	
14A		Dowel Pin, Hd Locator	2	
15	X40055	Plate, Rear Cover	1	
15A	X40056	Truss Hd Screw PHH M6-1.0x10mm, SS-18	6	
16	X30051	Microswitch, Bowl Lift	1	
17	X30104	Screw Sleeve	1	
17A	X30105	Roll Pin Ø4x30mm	2	
18	X25145	Retaining STW-35 Ring	1	
19	X40041	Bowl Lift Screw	1	
19A	X20123	Key, Round Ends H-5xW-5xL-18mm	1	
20	X30043	Ball Bearing	1	
21		Ext. Retaining Ring, OD-25, Groove-23.9, Ring ID-23.2, TH-1.2mm, B.O.	5	
22	X30045	Oblique Gear (30T)	2	
23	X40047	Shaft, Hand Wheel	1	
24	X40073	Key H-5xW-5xL-20mm Round Ends	2	
25	X40050	Oilless Bearing	1	



## SP60E Base Components

---

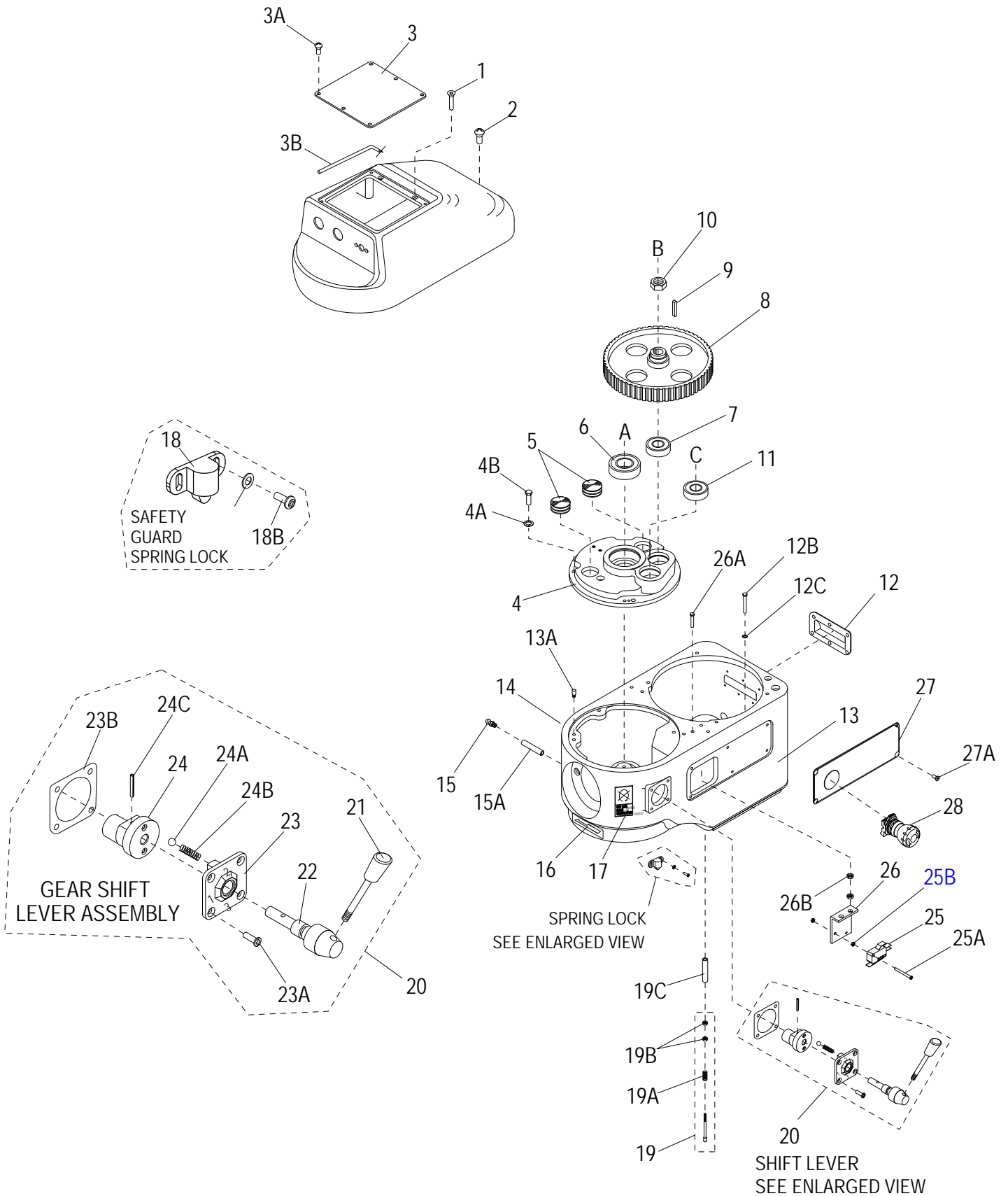
Item	Part Number	Description	Qty	Serial Number
26	X40053	Hand Wheel Crank With Handle, Plastic	1	
26	X40053M	Hand Wheel Crank With Handle, Metal	1	
27	X30053-1	Hand Wheel Crank Handle	1	
28		Set Screw M10x8mm Cup Pt.	1	
29		Hand Wheel Cap	1	
30		Spacer (50m mod x 25.3mm Id x 10.2mm)	1	
31	X02595	United Kingdom, Hazardous Voltage LBL (Not Shown)	1	
31	X02594	Spanish, Hazardous Voltage LBL (Not Shown)	1	
31	X02593	Portuguese/Brazil Hazardous Voltage LBL (Not Shown)	1	
31	X02592	Thai, Hazardous Voltage LBL (Not Shown)	1	
31	X02591	Arabic, Hazardous Voltage LBL (Not Shown)	1	



*INTENTIONALLY LEFT BLANK PAGE*



# SP60E Head Components





## SP60E Head Components

Item	Part Number	Description	Qty	Serial Number
1	X30207	Flat Hd Screw-Socket M8-1.25x108mm, B.O.	2	
2	X30220	Flat Hd Screw-Socket M6-1.0x90mm, B.O.	1	
3	X40002	Cover, Switch Box	1	
3A	X40056	Truss Hd Screw PHH M6-1.0x10mm, SS-18	6	
3B	X40003	Gasket, Switch Box	1	
4	X40077	Cover, Gear Housing	1	
4A	X30198	Lock Washer M8, ID-8.5mm, OD-12.7mm, TH-2mm	4	
4B	X30197	Ext. Hex Hd Screw M8-1.25x25mm, SS	4	
5	X10073	Oil Plug	2	
6	X30024	Ball Bearing	1	
7	X10012	Ball Bearing	1	
8	X60080	Wheel, Main Cog (97T)	1	
9	X40081	Key H-5xW-5xL-12mm Round Ends	1	
10	X40082	Thin Hex Nut M18-1.5, OD-27, Thick-9mm, CLASS 04, Zn	1	
11	X10012	Ball Bearing	1	
12	X30076	Plate, Ventilation	1	
13	X40087-1	Transmission Case, Removable Bowl Guard	1	
13A		Pin, Locating	2	
14	X02580	United Kingdom, Maint. of Intern. Gear LBL	1	
14	X02579	Spanish, Maint. of Intern. Gear LBL	1	
14	X02578	Portuguese/Brazil, Maint. of Intern. Gear LBL	1	
14	X02577	Thai, Maint. of Intern. Gear LBL	1	
14	X02576	Arabic, Maint. of Intern. Gear LBL	1	
15	X10900	Grease Fitting	1	
15A	X10217	Grease Tube	1	
16	X91012	Label, Arrow	1	
17	X02585	United Kingdom, Avoid Gear Damage LBL	1	
17	X02584	Spanish, Avoid Gear Damage LBL	1	
17	X02583	Portuguese/Brazil, Avoid Gear Damage LBL	1	
17	X02582	Thai, Avoid Gear Damage LBL	1	
17	X02581	Arabic, Avoid Gear Damage LBL	1	
18	X10134	Safety Guard Spring Lock	1	
18A		Washer M3 Flat	2	
18B	X10134B	Round Hd Screw-PHH M3-0.5x8mm, SS-18	2	
19	X40096	Touch Shaft Assy, Brass	1	
19	X30096N	Touch Shaft, Nylon	1	
19A	X30095	Spring	1	
19B	X30186	Hex Nut M5-0.8 OD-8, TH-4mm, Zinc	2	
19C	X40187	Tube	1	
20	X40057-60	Gear Shift Lever Assembly (Incls. 18-21C)	1	
21	X30057-1	Knob, Gear Shift	1	
22		Shaft	1	
23		Cover	1	
23A	X30179	Flat Hd Screw-Socket M8-1.0x16mmHd, Zn	4	
23B	X30059-1	Gasket	1	
24		Shaft Bias	1	
24A		Roller	2	
24B		Spring	2	
24C		Roll Pin Ø5x28mm	1	
25	X10057	Microswitch, Interlock	1	
25A	854-2	Screw, Magnet Mounting	2	
25B	854-3	Nut, Magnet Mounting	4	
26	X30062	Bracket, Microswitch	1	



## SP60E Head Components

---

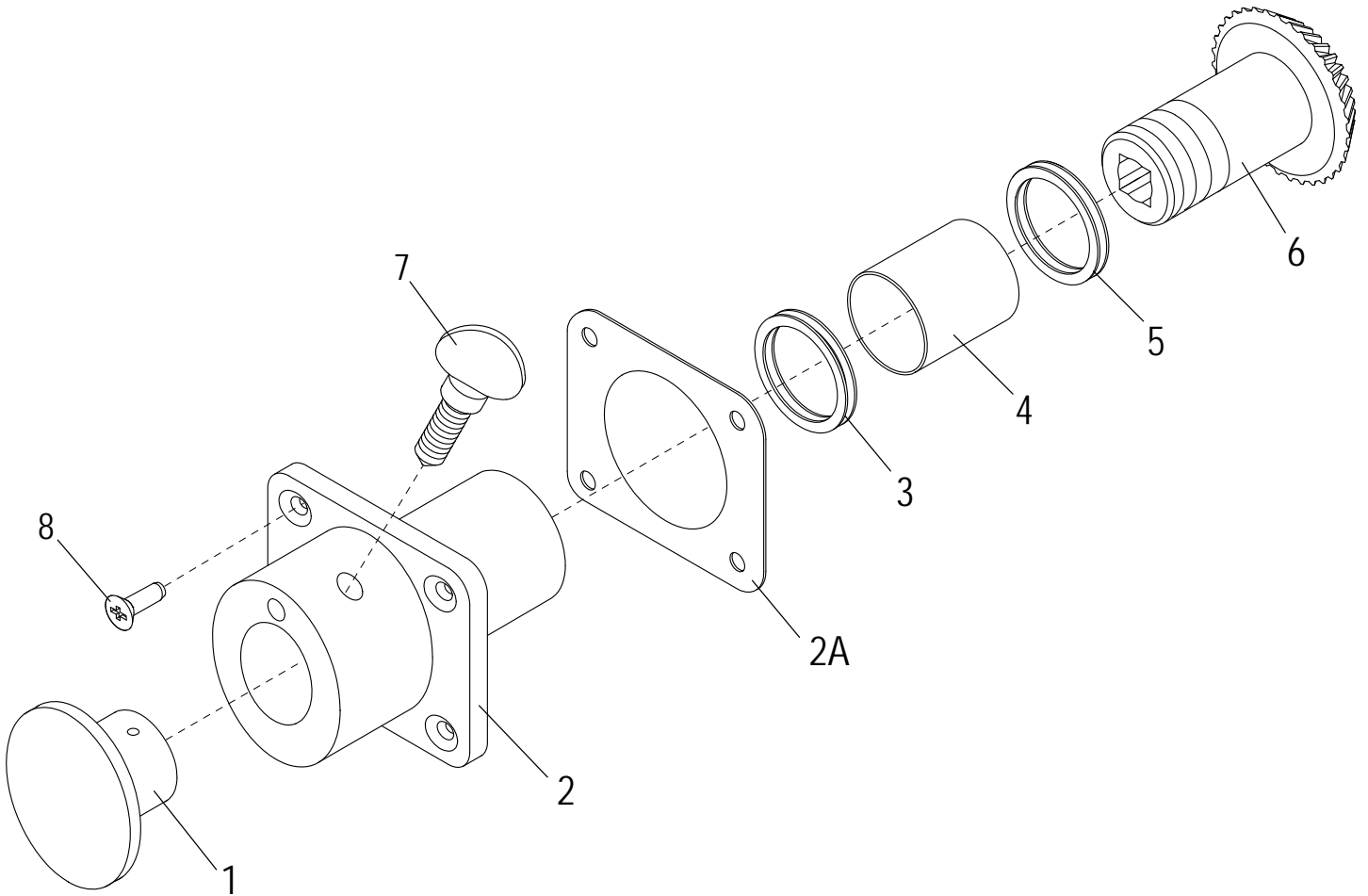
Item	Part Number	Description	Qty	Serial Number
26A		Screw M6x20mm Hex Hd	2	
26B		Nut M6 Hex	4	
27	X02605	United Kingdom, Emergency Stop Panel LBL	1	
27	X02604	Spanish, Emergency Stop Panel LBL	1	
27	X02603	Portuguese/Brazil, Emergency Stop Panel LBL	1	
27	X02602	Thai, Emergency Stop Panel LBL	1	
27	X02601	Arabic, Emergency Stop Panel LBL	1	
27A	<a href="#">X30065</a>	Truss Hd Screw-Phillips M5-0.8x10mm, SS	4	
28	X02515	Button, Emergency Stop	1	



*INTENTIONALLY LEFT BLANK PAGE*



# SP60E Hub Assembly Components





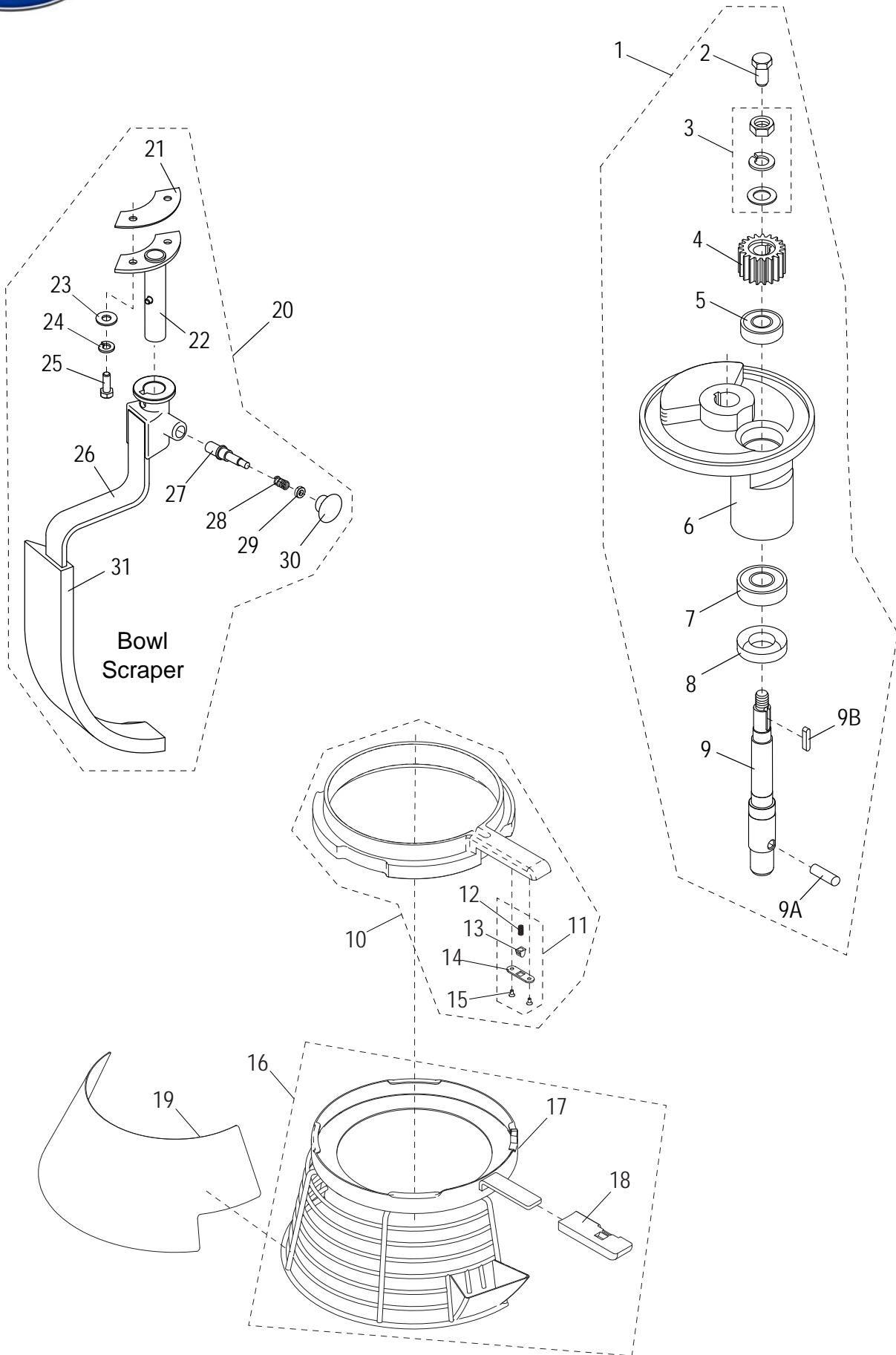
## SP60E Hub Assembly Components

---

Item	Part Number	Description	Qty	Serial Number
1	X10007	Attachment Hole Plug	1	
2	X40017-DG	Attachment Hub	1	
2A		Gasket	1	
3	X10089	Oil 45x35x8mm Seal	1	
4	X10075	Bearing	1	
5	X30018-1	Thrust Washer ID-35mm, OD-55mm, TH-1mm	2	
6	X40014	Level Drive Gear (35T)	1	
7	X10005	Thumb Screw 1/2-13x3/4"	1	
8	X80B52	Socket Hd Cap Screw M6-1.0x20mm, B.O.	4	



# SP60E Planetary Components



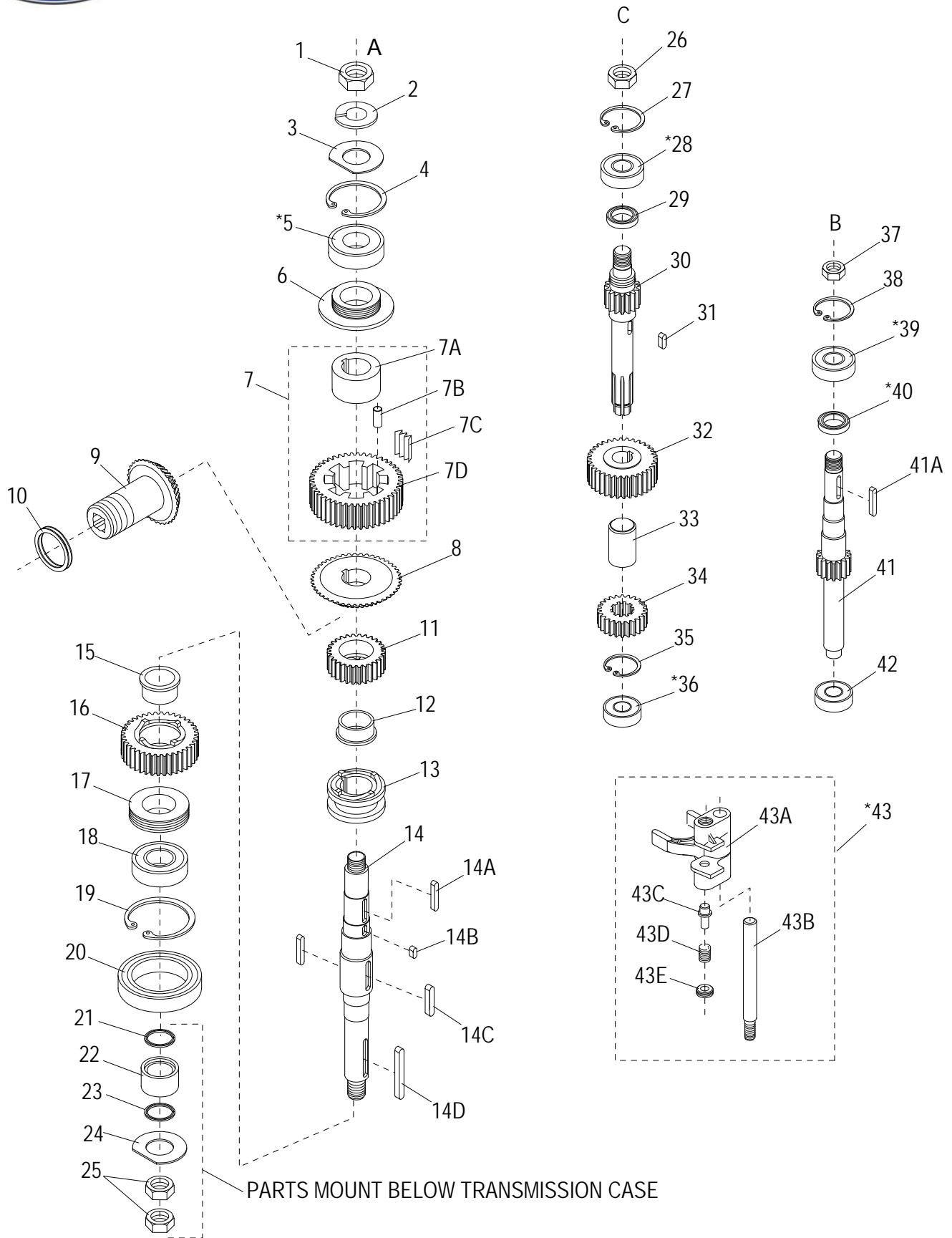


## SP60E Planetary Components

Item	Part Number	Description	Qty	Serial Number
1	X60019-28	Planetary Complete Assembly (Incls. items 2-9B)	1	
2	X60019	Screw, Hex Hd (Old Style Shaft)	1	
3	X30020	Nut M14 Stop & Washers	1	
4	X60021	Pinion, Beater (21T)	1	
5	X60022	Ball Bearing (Set Of Two)	1	
6	X60023-DG	Planetary Shaft Holder	1	
7	X60024	Ball Bearing	1	
8	X60025	Oil Seal	1	
9	X60027	Planetary Shaft, External Thread (New Style)	1	
9A	X60028	Dowel Pin	1	
9B	X40026	Key H-7xH-7xL23mm Round Ends	1	
10	X600S2	Plastic Slide Sheath, Removable Safety Guard (Incls. items 11-15)	1	
11	X200S3	Spring Plunger Hardware Kit (Incls. items 12-15)	1	
12		Spring	1	
13		Plunger	1	
14		Plate, Plunger Retention	1	
15		Screw M3x8mm Flat Hd	2	
16	X600S1	Bowl Guard Assembly, Stainless Steel (Incls. items 17-18)	1	
17		Removable Bowl Guard	1	
18	X30504	Handle, Plastic - Removable Safety Guard	1	
19	X02627	Cover, Plastic	1	
20	XXSCRP-60	Bowl Scraper Assembly (Incls. items 21-31)	1	
21		Shaft Spacer	1	
22		Scraper Mounting Hub	1	
23		Washer M10 Flat	3	
24		Washer M10 Split Lock	3	
25		Screw M10x18mm Hex Hd - SS	3	
26		Scraper Arm	1	
27	X80522	Pin	1	
28	X80523	Spring	1	
29	X80524	Spacer	1	
30	X80525	Knob	1	
31	X80526	Bowl Scraper	1	



# SP60E Gearbox Components



PARTS MOUNT BELOW TRANSMISSION CASE

\*PART CONFIGURATION MAY VARY.



## SP60E Gearbox Components

Item	Part Number	Description	Qty	Serial Number
1	X40111	Nut M24 Jam	1	
2	X40111A	Lock Washer M24, ID-25.5, OD-40, TH-5mm, Plain	1	
3	X60111B	Washer M24 D	1	
4	X30126	C-Ring Retaining Ring STW-72	1	
5	X80F10	Ball Bearing	1	
6	X60113	Lead-In Oil Pad	1	
7	X60114-117	Slow Speed Gear Assembly	1	
7A		Bushing	1	
7B		Dowel Ø8x16mm Pin	1	
7C		Slice Spring	1	
7D		Gear, Slow Speed (52T)	1	
8	X60118	Gear, Bevel (52T)	1	
9	X40014	Level Drive Gear (35T)	1	
10	X30018-1	Thrust Washer ID-35mm, OD-55mm, TH-1mm	1	
11	X60209	Gear, Clutch (34T) (Slow Speed)	1	
12	X60119	Bushing, Clutch	1	
13	X60133	Sleeve, Clutch	1	
14	X60130	Drive Shaft	1	
14A	X60121	Shaft Key 8x10x30mm	1	
14B	X60217	Shaft Key 8x8x12mm	1	
14C	X30132	Key H-8xW-10xL-40mm Round Ends	2	
14D	X30131	Key H-10xW-10xL-55mm Round Ends	1	
15	X60119	Bushing, Clutch	1	
16	X60122	Gear, Clutch (45T)	1	
17	X60124	Washer, Stepped	1	
18	X60125	Ball Bearing	1	
19	X60126	Retaining Ring STW-80	1	
20	X60128	Oil Seal	1	
21	X60208	O-Ring (Lower) 38x50x6mm	1	
22	X60127	Guard, Oil Bushing	1	
23	X60208	O-Ring (Lower) 38x50x6mm	1	
24	X60129A	Washer M16 Flat	1	
25	X40111	Nut M24 Jam	1	
26	X40082	Thin Hex Nut M18-1.5, OD-27, Thick-9mm, CLASS 04, Zn	1	
27	X25106	Int. Retaining Ring ID-2, G-2.122, OD-2.210, TH-0.062" B.O.	1	
28	X10102	Ball Bearing	1	
29		Oil Seal	1	
30	X60150-2	Transmission Shaft (13T) New Style, Splined	1	
31	X60149	Shaft Key 8x8x22mm	1	
32	X40223	Gear (31T) New Style	1	
33	X40144	Bushing, Spacer	1	
34	X40143-2	Gear (20T) New Style, Splined	1	
35	X40141	Retaining Ring STW-24	1	
36	X60140	Ball Bearing (Qty May Vary)	1	
37	X40082	Thin Hex Nut M18-1.5, OD-27, Thick-9mm, CLASS 04, Zn	1	
38	X30146	Int. Retaining Ring ID-1-3/4, Groove-1.858, OD-1.942, TH-0.062"	1	
39	X30043	Ball Bearing	2	
40		Oil Seal	1	
41	X60210	Shaft, Master (13T) New Style (Slow Speed)	1	
41A	X80F12	Shaft Key 6x6x35mm	1	
42	X30140	Ball Bearing	1	
43	X60134-139	Yoke Shifter Assembly	1	
43A		Yoke Shifter	1	



## SP60E Gearbox Components

---

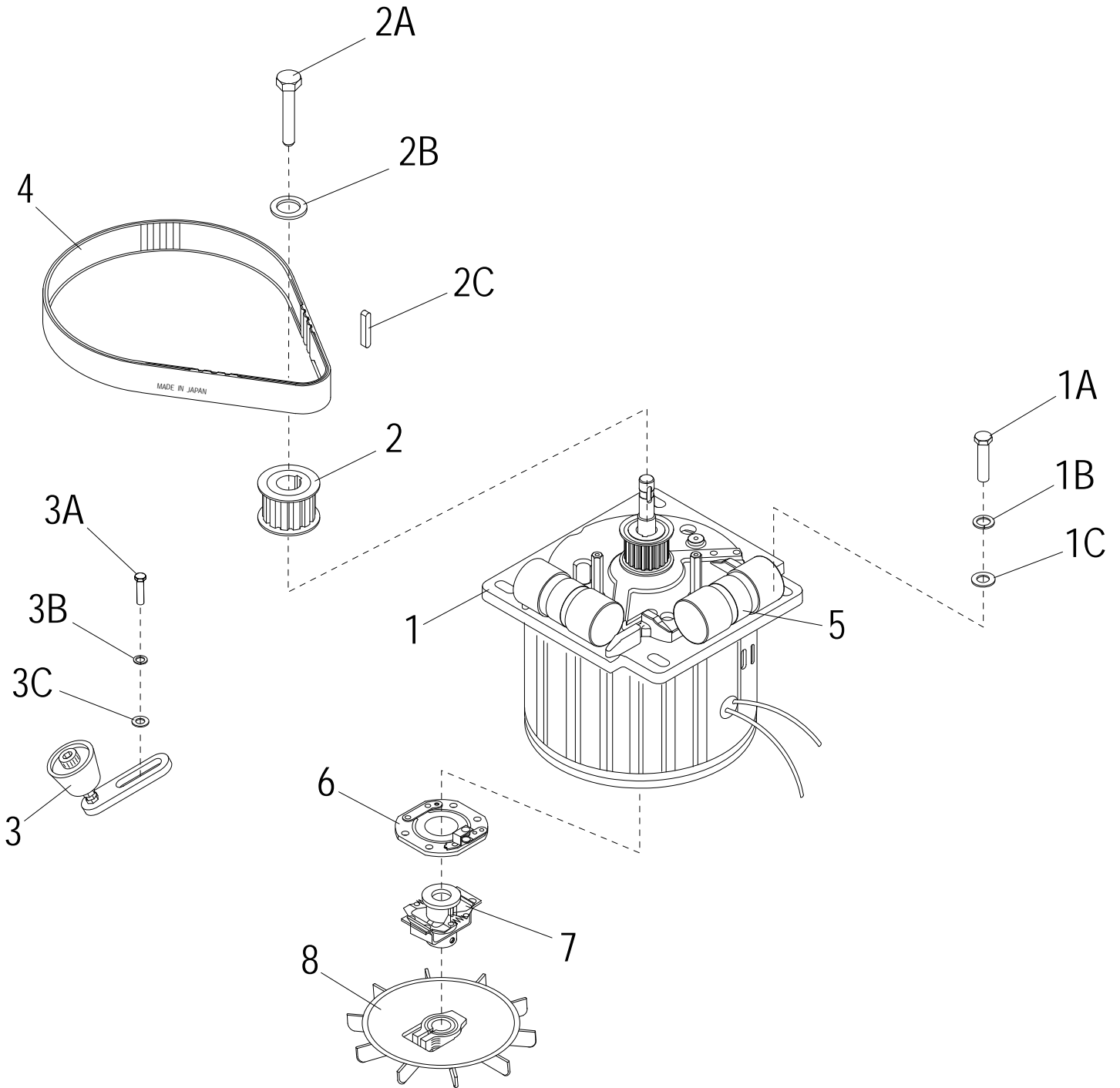
Item	Part Number	Description	Qty	Serial Number
43B		Guide, Rod Shifter	1	
43C		Plunger, Yoke Shifter	2	
43D		Spring, Yoke Shifter	2	
43E		Spring, Retainer	2	



*INTENTIONALLY LEFT BLANK PAGE*



# SP60E Motor Components



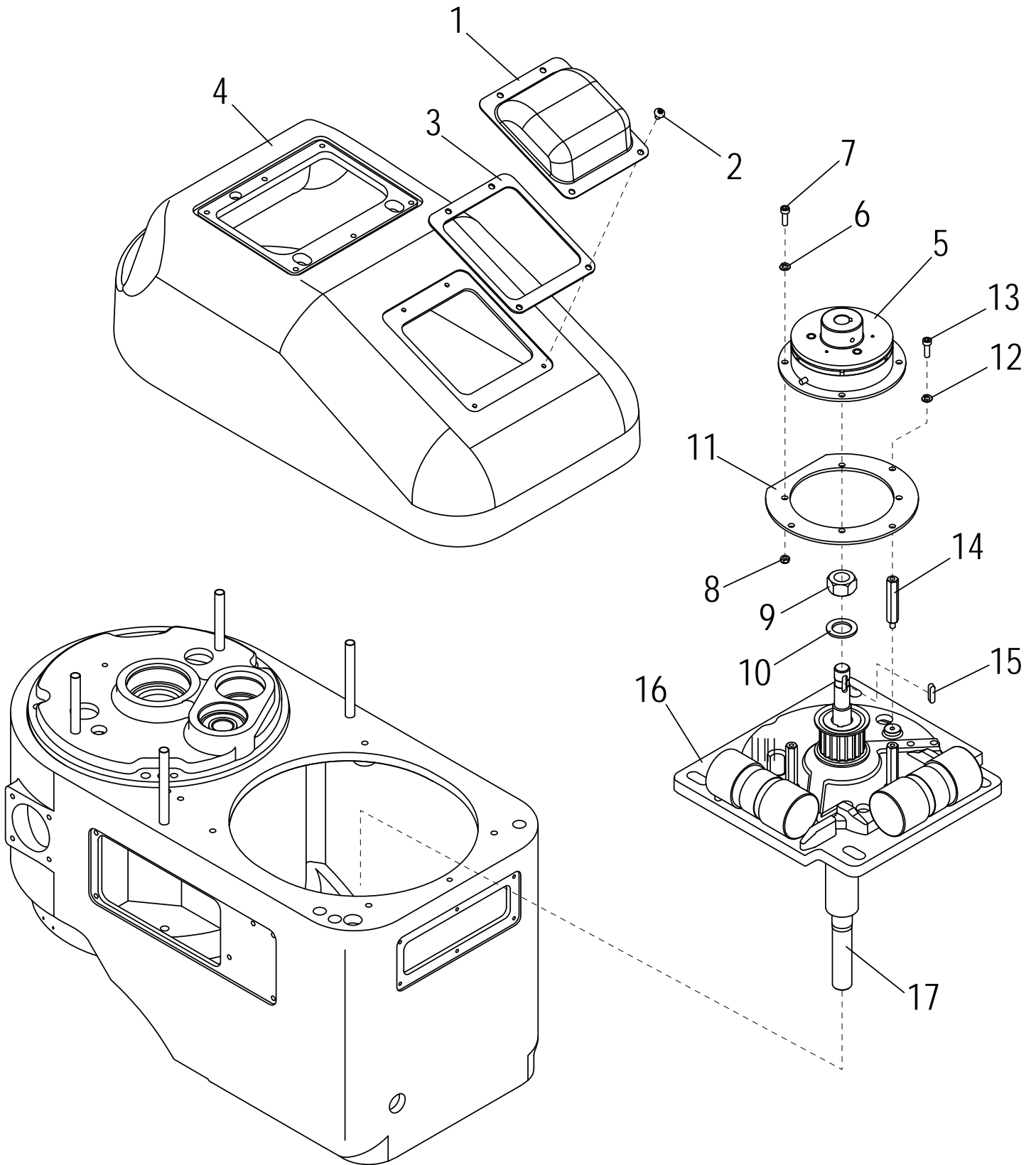


## SP60E Motor Components

Item	Part Number	Description	Qty	Serial Number
1	X02556	Motor Assembly with Brake, 1HP 220/50/1	1	
1A	X40069	Screw M8x30mm Hex Hd	4	
1B	X08102	Lock Washer M8 ID-8.5, OD-14.8, TH-2mm Zn	4	
1C	X08076	Flat Washer, M8 ID-8.4mm, OD-16mm, TH-1.6mm, Zn	4	
2	X00734	Wheel, Motor Cog (20T) 50HZ	1	
2A	X40075	Ext. Hex Hd Screw M8x20mm Zn	1	
2B	X30074	Flat Washer M8, ID-8, OD-24, TH-2mm, Zn	2	
2C	X30073	Shaft Key 5x5x25	1	
3	X30158	Belt Tensioner	1	
3A	X30197	Ext. Hex Hd Screw M8-1.25x25mm, SS	2	
3B	X08102	Lock Washer M8 ID-8.5, OD-14.8, TH-2mm Zn	2	
3C	X08076	Flat Washer, M8 ID-8.4mm, OD-16mm, TH-1.6mm, Zn	2	
4	X40072-2	Cogged Belt (S8M-896)	1	
5	X30070-1A	Capacitor, Start 600MF	1	Replace parts w/Same Elect. Rating
5	X60070-2	Capacitor, Run 70Mf	1	Replace parts w/Same Elect. Rating
6	X10051	Switch, Platinum	1	
7	X02014	Clutch, 50Hz	1	
8	X40061	Cooling Fan	1	



# SP60E Motor Brake Components



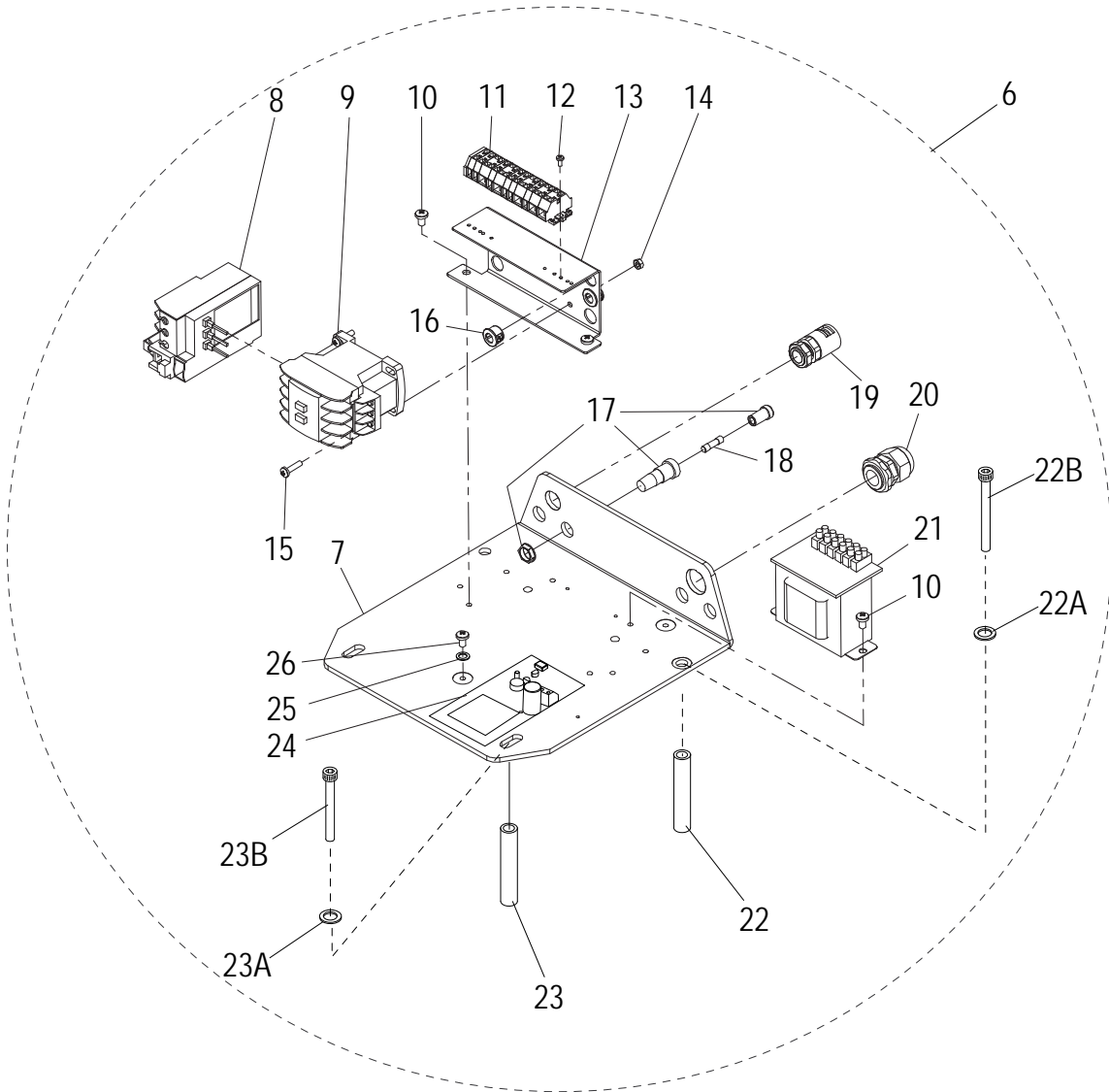
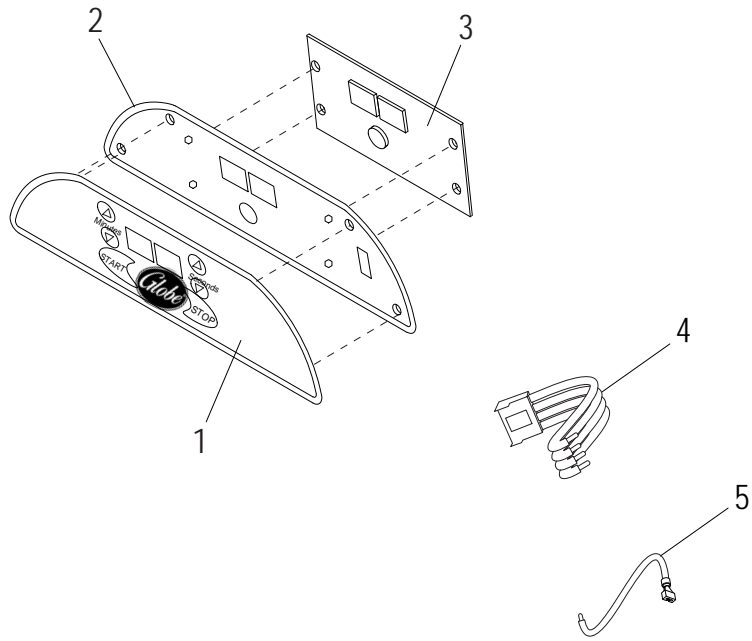


## SP60E Motor Brake Components

Item	Part Number	Description	Qty	Serial Number
1	X25500	Cover, Motor Brake Components	1	
2		Screw M5x10mm Button Hd	4	
3	X25500-1	Gasket	1	
4	X40004-1	Transmission Cover, Motor Brake Version	1	
5	X40501	Motor Brake, Magnetic	1	
6		Washer M5 Split Lock	4	
7		Screw M5x12mm Socket Hd	4	
8		Nut M5 Hex	4	
9		Nut M18 Hex	1	
10		Washer M18 Flat	1	
11	X40500	Brake Housing	1	
12		Nut M5 Hex	3	
13		Screw M5x10mm Socket Hd	3	
14	X30502	Hex Standoff	3	
15		Shaft Key 5x5x17mm	1	
16		Top Cover, Motor (Incl. w/Motor Assembly)	1	
17		Motor Shaft (Incl. w/Motor Assembly)	1	



# SP60E Digital Components





## SP60E Digital Components

Item	Part Number	Description	Qty	Serial Number
1	X00567	Switch, Membrane	1	
2	X01338	Aluminum Panel	1	
3	X00568	Control Board	1	
4	X00675	4 Wire Harness With Connector	1	
5	X00676	Single Wire With Quick Connect	1	
6	X02550	Electronic Part Assembly (Incls. items 7-25)	1	
7	X02554	Plate, Mounting	1	
8	X30154ABB	Overload Relay, 1PH	1	
9	X02552	Contact, 24V	1	
10	H02521	Cheese Hd Screw-Combo M5x8mm, Zn	4	
11	X02553	Block, Connecting	1	
12	H02523	Cheese Hd Screw-PHH M3x10mm, Zn	2	
13	X02524	Bracket, Mounting	1	
14	H02504	Hex Nut M4, OD-8mm, TH-3.5mm, Zn	2	
15	H02526	Cheese Hd Screw-PHH M4x15mm, Zn	2	
16	X02525	Cable Feed Through	2	
17	X02072	Fixture, Fuse	1	
18	X02073	Fuse	1	
19	X02527	Cable Feed Through	1	
20	X02528	Relief, Strain	1	
21	X02499	24V-15V Transformer, Control	1	
22	X30085	Tube M8x108mm Support	2	
22A		Washer M8 Flat	2	
22B	X30010	Socket Hd Cap Screw M8-1.25x90mm B.O.	2	
23	X30153	Tube, Support	2	
23A		Washer M8 Flat	2	
23B	X30086	Socket Hd Cap Screw M8-1.25x100mm, B.O.	2	
24	X02619	Brake Circuit	1	
25	H02532	Washer M5, OD-12, ID-5, TH-1mm, Zn	2	
26	H02533	Truss Hd Screw-Combo M5x8mm, Zn	2	

