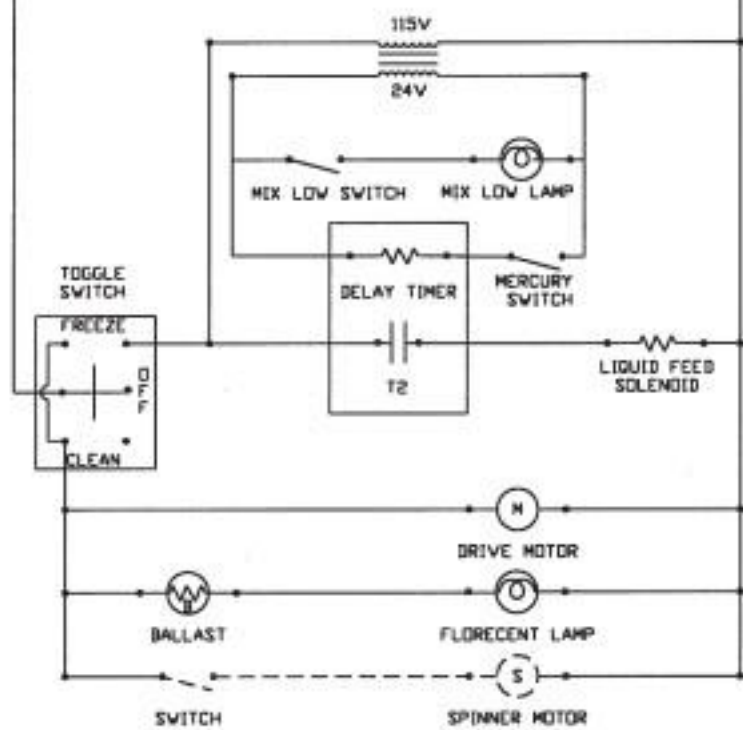
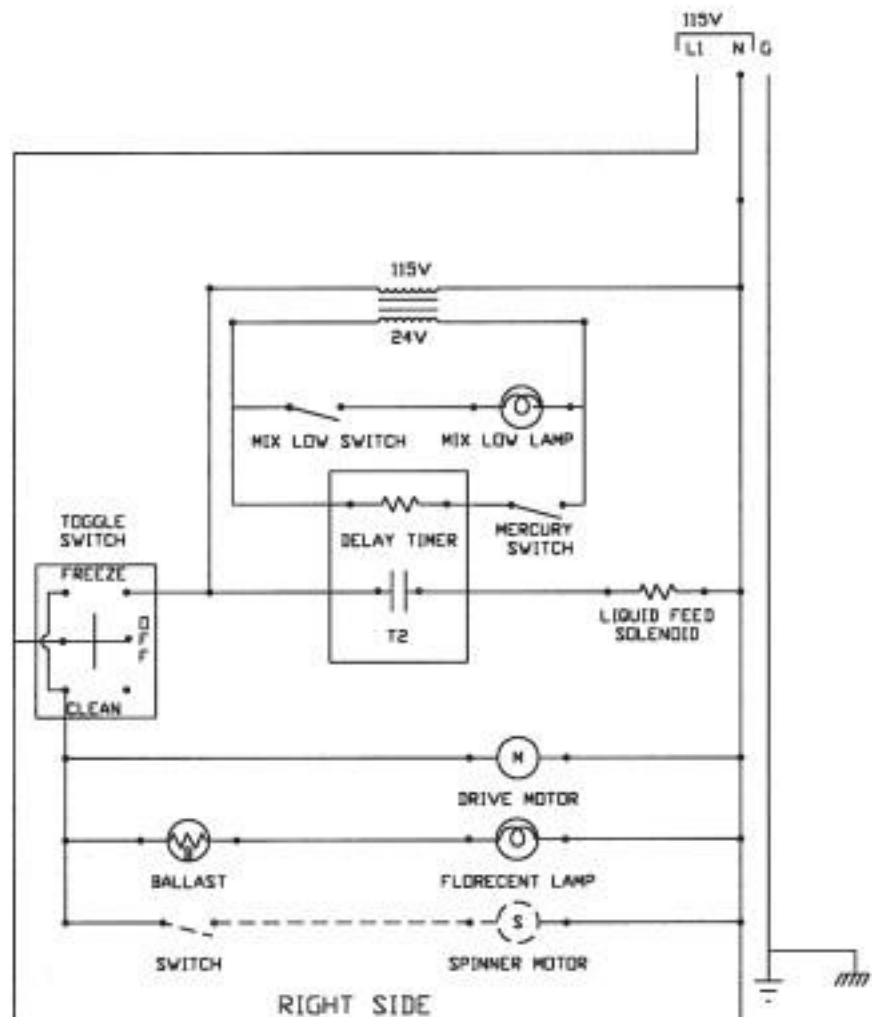


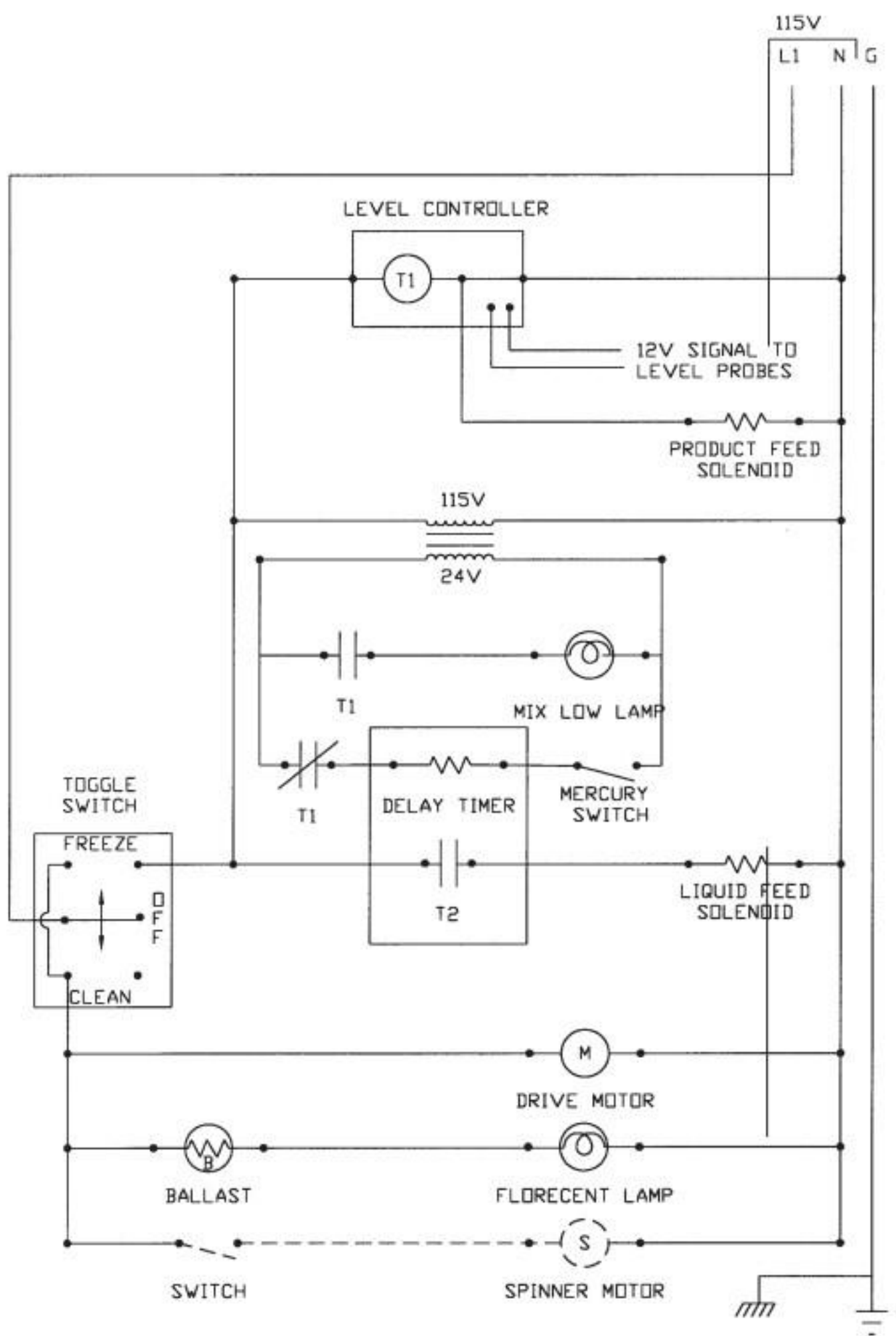
RIGHT SIDE

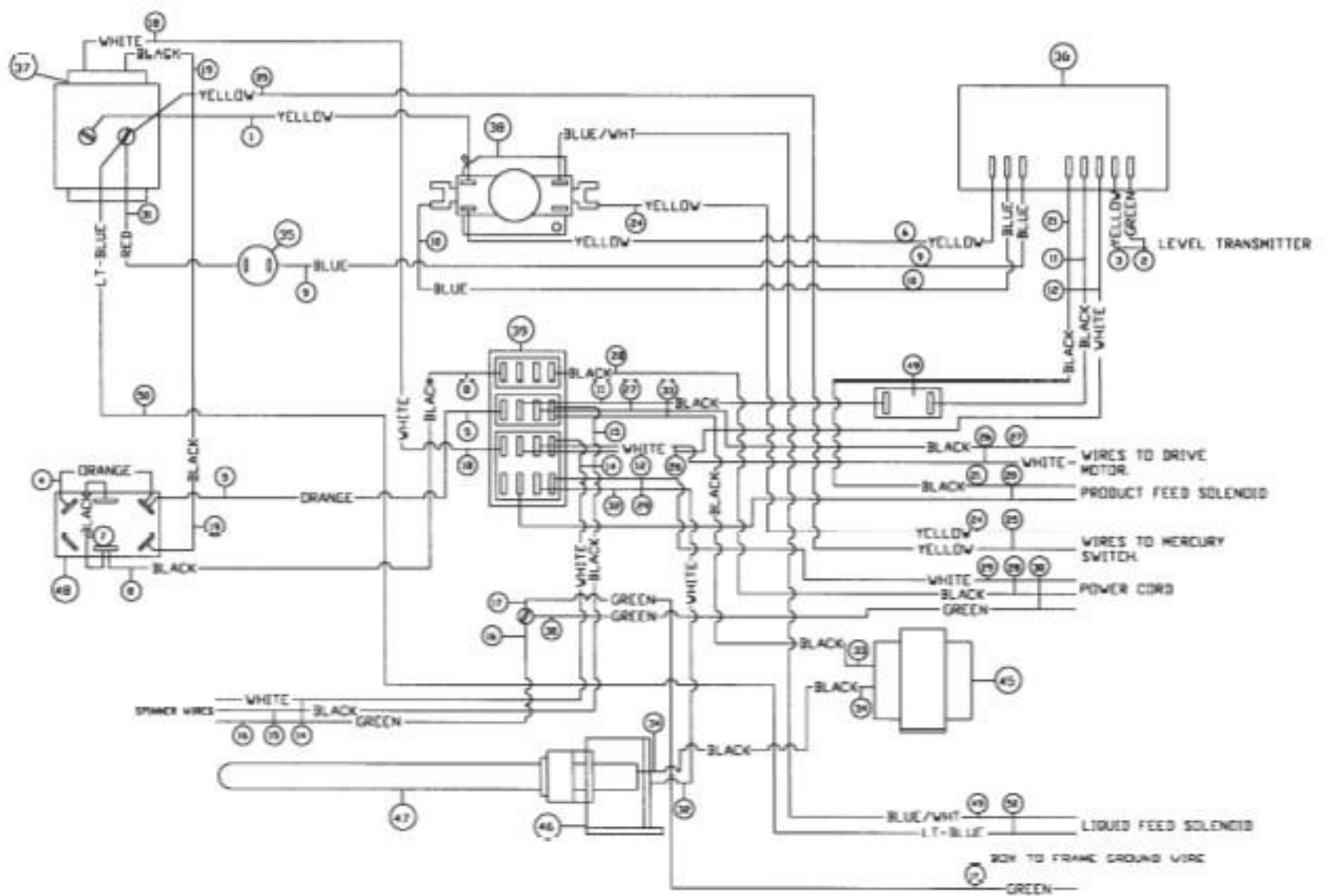
LEFT SIDE

Item	Part Number	Description
35	W0570007	Indicator Light
36	W0570910	Switch
37	W0572032	Transformer Sub-Assy.
39	W0570235	Terminal Block
40	W1650005	Liquid Feed Solenoid
41	W0650050	Level Transmitter
42	W0560050	Level Transmitter
43	W0572068	Power Cord
45	W0570045	Core & Coil Ballast
46	W0570044	Light Socket
47	W0570043	Florescent Light Bulb
48	W0570924	Switch
49	W0650033	Product Feed Solenoid

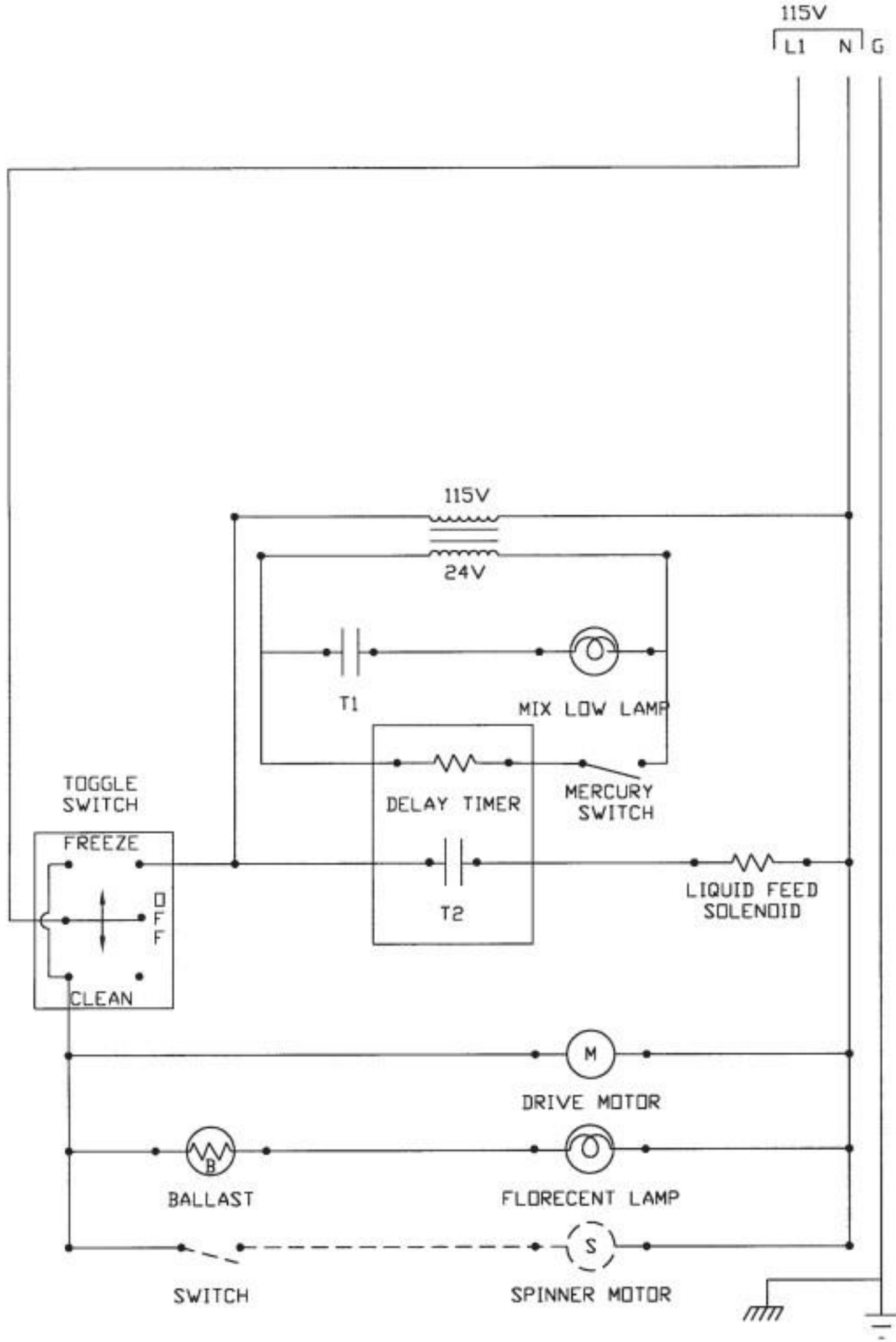


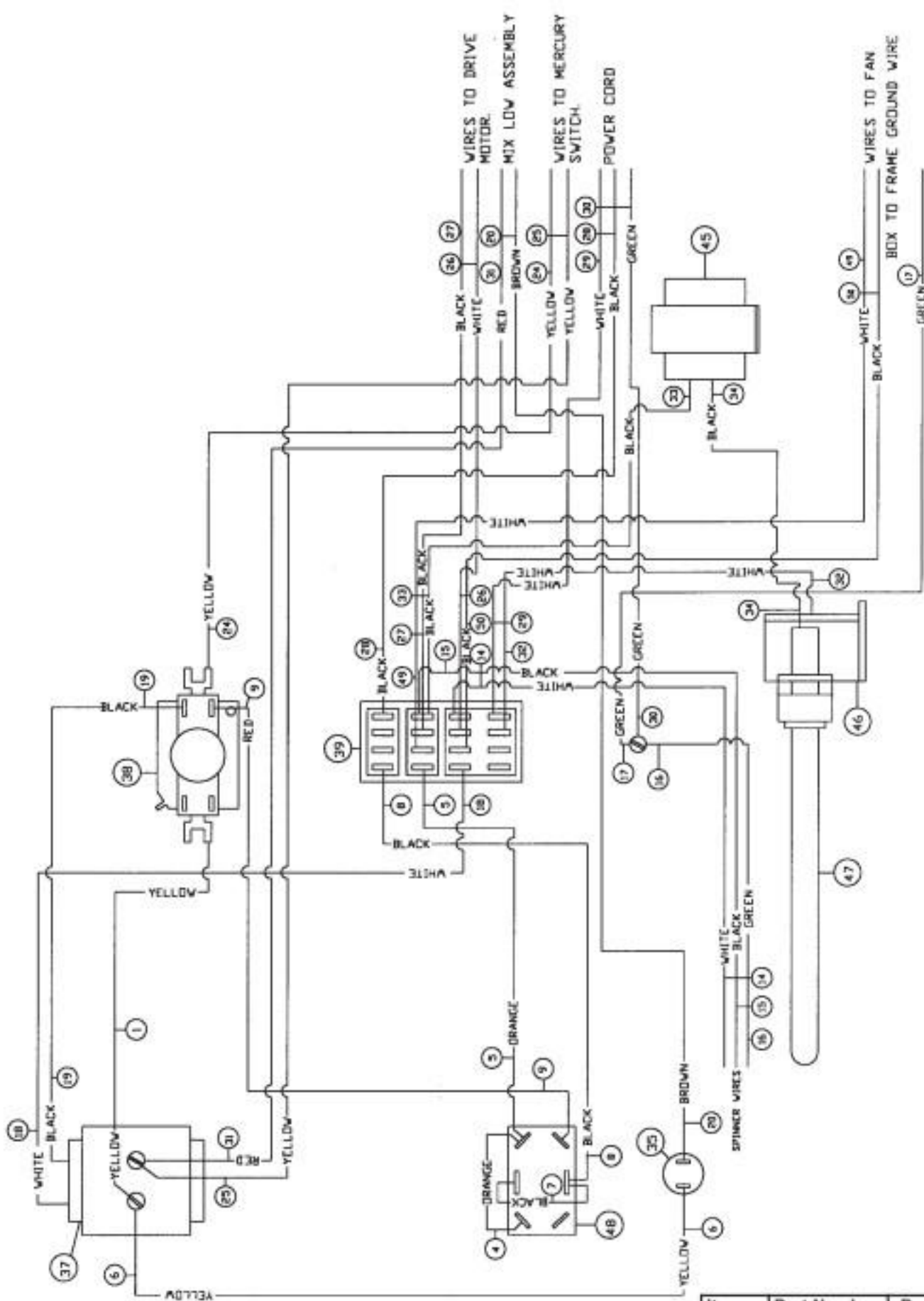
3342 LEFT SIDE





Item	Part Number	Description
35	W0570007	Indicator Light
36		Product Feed Solenoid
36	W0650050	Level Control
37	W0572032	Transformer Sub-Assy.
38	W0570651	Time Delay Relay
39	W0570235	Terminal Block
40		Liquid Feed Solenoid
41		Level Transmitter
42		Level Transmitter
43	W0572068	Power Cord
45	W0570045	Core & Coil Ballast
46	W0570044	Light Socket
47	W0570043	Florescent Light Bulb
48	W0570924	Switch





Item	Part Number	Description
35	W0570007	Indicator Light
37	W0572032	Transformer Sub-Assy
38	W0570660	Time Delay Relay
39	W0570235	Terminal Block
42	W0572192	Low Mix Sub-Assy.
43	W0572068	Power Cord
45	W0570045	Core & Coil Ballast
46	W0570044	Light Socket
47	W0570043	Florescent Light Bulb
48	W0570924	Switch