



GRINDMASTER®

BY GMCW™

Operator Manual

800 Series Coffee Grinders

Models 810, 835, 875, 890



Model 810



Model 835



Model 875



Model 890



Table of Contents

Specifications.....	2	Cleaning & Maintenance	5
Safety Information.....	3	Troubleshooting Guide	6
Installation.....	3	Parts Diagram and List	7
Operation	4	Wiring Diagram.....	10

Thank you for purchasing this quality coffee grinder. For your safety and the safety of others, read all warnings and the operator's manual before installing or using the product. Properly instruct all operators. Keep training records. For future reference, record serial number here:

GMCW

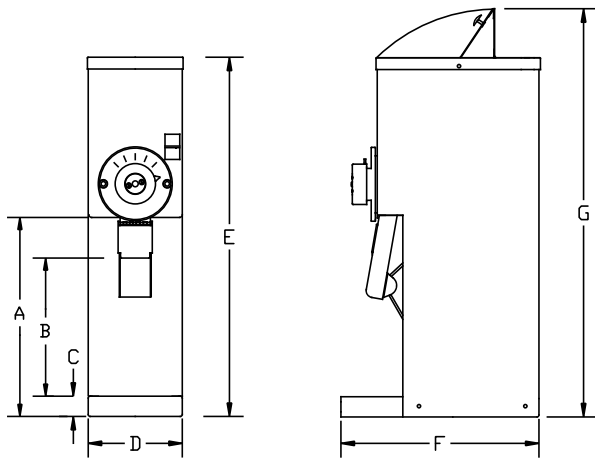
4003 Collins Lane, Louisville, KY 40245 USA
Phone: 502.425.4776 Toll Free: 800.695.4500
Fax: 502.425.4664
Web: gmcw.com Email: info@gmcw.com

GMCW provides the industry's BEST warranty. Visit gmcw.com for warranty terms and conditions.



Specifications

Model	Description	Electrical
810S	Medium duty grinder - 1.5 lbs hopper. C-UL US, ETL Sanitation Certification	120V / 920 W / 8A / 1 Ph
835S	Medium duty grinder - 1.5 lbs hopper. C-UL US, ETL Sanitation Certification	120V / 920 W / 8A / 1 Ph
875S	Medium duty grinder - 3 lbs hopper. C-UL US, ETL Sanitation Certification	120V / 920 W / 8A / 1 Ph
890BS	Medium duty grinder with European slicing burrs - 3 lbs. hopper. C-UL US, ETL Sanitation Certification	120V / 920 W / 8A / 1 Ph
890T	Medium duty grinder with European slicing burrs - 5 lbs. hopper. C-UL US, ETL Sanitation Certification	120V / 920 W / 8A / 1 Ph



Dimensions (Inches)							
	A	B	C	D	E	F	G
810	11 1/2	8	-	7	21 1/4	12 1/2	25
835	10	8 1/4	1 1/2	7	21 1/4	15	25
875	13	8 1/4	1 1/2	7	27	15	30 3/4
890	13	8 1/4	1 1/2	7	27	15	30 3/4
890T				7	31 1/4	14	35

Safety Information

Important Safety Information



This is the safety alert symbol. It is used to alert you to potential personal injury hazards. Obey all safety messages that follow this symbol to avoid possible injury or death.

For your safety and the safety of others, read all warnings and the operator's manual before installing or using the product.

DANGER: This term warns the user of imminent hazard that will result in serious injury or death.

WARNING: This term refers to a potential hazard or unsafe practice, which could result in serious injury or death.

CAUTION: This term refers to a potential hazard or unsafe practice, which could result in minor or moderate injury.

NOTICE: This term refers to information that needs special attention or must be fully understood.

⚠ WARNING

- Product must be attached to a three wire 120V 15 AMP receptacle (export units - 230V 16 AMP).
- Do not deform plug or cord.
- Follow national and local electrical codes.
- Do not use near combustibles.
- Use only on a circuit load that is properly protected and capable of the rated load.
- Always unplug unit from power supply before servicing or cleaning.

FAILURE TO COMPLY RISKS PERSONAL INJURY, SHOCK HAZARD, FIRE, OR DAMAGE TO EQUIPMENT.

⚠ CAUTION

Personal injury hazard. Keep fingers, hands, and foreign objects out of hopper or chute opening. Model 890T must be bolted to the counter to prevent possible bodily injury from overturning.

NOTICE

Never connect to an overloaded circuit or to an extension cord, otherwise serious damage to the motor may result.

Installation

⚠ CAUTION: Risk of bodily injury due to tipping. Use care when installing Model 890T.

NOTICE: It is essential that full voltage and amperage always be available as it takes full power to grind coffee.

Please read this manual before operating the grinder.

1. Carefully remove grinder from carton.
2. Place grinder in position on shelf, counter or other flat surface.
3. (Model 890T only). Using (4) provided 5/16"-18 x 1 1/2" bolts, washers, and nuts, attach grinder securely to counter.
4. Plug grinder into the specified power source. (Check rating plate on back of unit for voltage and amperage requirements.) Do not use an extension cord.
5. Fill hopper with whole bean coffee.
6. Grind a small amount of whole bean coffee

following operating instructions as described in this manual

7. If there is any problem, consult the Troubleshooting Guide in this manual, (also on back of grinder.)

If you need help, call GMCW Technical Service Department for help, (502) 425-4776 or (800) 695-4500 (USA & Canada only) 8 AM - 6 PM EST.

Prior authorization must be obtained from GMCW for all warranty claims.

Operation

Your new coffee grinder is easy to operate and maintain. Before you place it in service, please have all personnel familiarize themselves with these instructions. Keep this manual in a convenient place for ready reference.

How to Operate

1. Turn the selector knob to the desired grind setting.
2. Fill the hopper with the desired type and amount of whole bean coffee. Close the lid.
3. Place the bag underneath the spout.
4. Press the start button. *810 model - Press the grinder switch to the ON position.
5. The grinder will automatically stop when the bag is removed.**
* 810 model - Once coffee is ground, press the grinder switch to the off position or grinder will continuously run.
** On models 835 and 875 the stop button may be pressed after the grinder has completed grinding.
6. Remove bag from coffee spout once coffee is ground.

Grinds

Before shipment, this grinder has been tested with coffee and has been accurately adjusted to deliver ground coffee to normal auto drip specifications.

The Grinding Burrs are made of an extremely hard and wear resistant material. From time to time, grind adjustments (see following instructions) may be necessary. If the grind runs coarser than expected after normal adjustment and the grind time has increased, the burrs may have excess wear and should be replaced. New burrs should always be installed as a pair, never one or the other, as they are accurately ground and lapped in pairs. Old burrs cannot be resharpened.

Grind Adjustment

Tools required: Phillips screwdriver

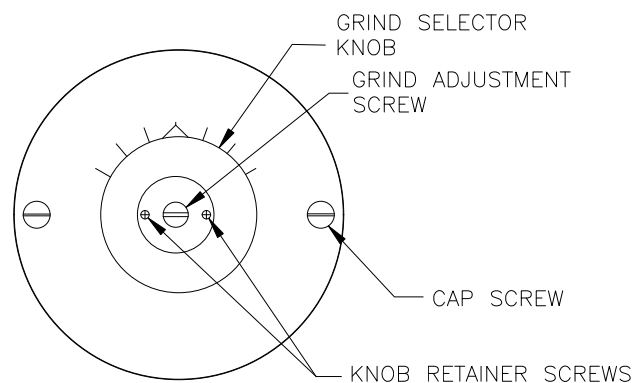
Large blade screwdriver
Pliers

1. Remove all coffee from the hopper.
2. Set selector knob to the finest setting (Espresso or Turkish) depending on the model.
3. Loosen both knob retainer screws in selector knob one turn only.
4. While pressing the bag switch, located behind the spout, press the start button so that the grinder will run during

adjustment.

*810 model - Press the on or start button so that the grinder will run during adjustment.

5. With the grinder still running, turn the adjusting screw in the center of the selector knob slowly to the right until a slight chirping noise is heard. Immediately turn the adjusting screw to the left until chirping noise stops. This is the finest grind obtainable.
6. Tighten both of the knob retainer screws. Once the finest grind has been set, the other grind settings will automatically set correctly.



7. Press the stop or off button.

NOTICE: Always be sure the grinding burrs are not touching while the machine is running on the ESPRESSO/TURKISH setting. Otherwise serious damage to the motor may result.

Protection

This grinder is equipped with both a circuit breaker and a shear disc or shear pin to protect motor and burrs.

Circuit Breaker

This grinder is equipped with a circuit breaker to protect the motor from overloading. When the circuit breaker trips, the reset button will pop out approximately 1/4" which stops the power to the grinder. The reset button is located on the front panel of the Model 810, 835 and 875. To reset the circuit breaker, wait two minutes then push in the reset button. You will hear a click as it resets. If the grinder does not operate after resetting the circuit breaker, there may be an obstruction in the grinding mechanism that is stalling the motor. Turn the grind selector knob all the way to the left. Try restarting the grinder. If the circuit breaker "trips" again, the obstruction was not able to pass. In this case, the Grinder Head should be cleaned out as described in the **Shear Disc Replacement** section of this manual.

Cleaning & Maintenance

Cleaning Instructions

NOTICE: The person cleaning the parts should do so with clean hands.

The outside of the machine can be cleaned with warm soapy water and a damp cloth.

Grinding parts should be cleaned with a stiff brush or dry cloth. **DO NOT USE WATER.** See **Shear Disc Replacement** for instructions on assembling and disassembling grinder parts. Before reassembling, wipe motor shaft with dry cloth.

All other parts that are in contact with food must be washed with warm soapy water, rinsed, and air-dried.

Lubrication

None required.

Shear Disc Replacement

If the motor should run and no coffee is dispensed, the Shear Disc may have sheared. Should this occur, perform the following operations in the sequence given (refer to following drawing).

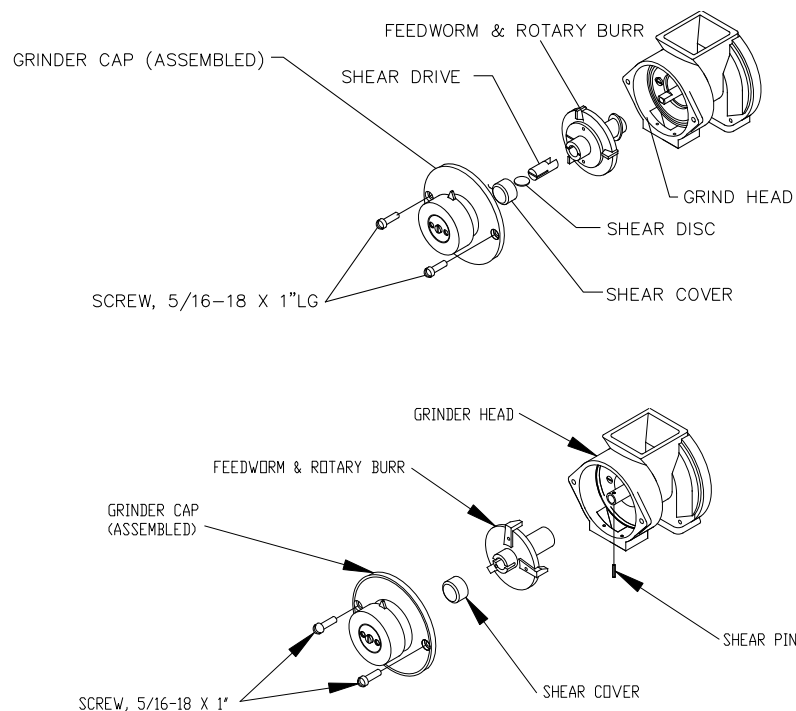
Tools Required: Slotted Screwdriver
 Pliers

⚠ WARNING: Unplug grinder to prevent electrical shock.

1. Remove all of the coffee beans from the hopper.
2. Remove the Grinder Cap by taking out the 2 Cap Screws.
3. (Model 890) Turn Feedworm Assembly such that the slot in the assembly is vertical then

push inward to release the Shear Pin.

4. Pull out the Rotary Burr and Feedworm Assembly. Clean out the Grinder Head, removing all coffee particles from inside of the Grinder Head and the Grinder Cap so that it can be reset properly.
5. Check that no obstruction has been caught on the surface of the teeth of either burr. Remove the Shear Cover and broken pieces of the Shear Disc or Shear Pin. You are now ready to reassemble the grinder mechanism.
6. Slide the Rotary Burr and Feedworm Assembly onto the Drive Shaft.
(Model 810, 835, 875) Insert the shear drive so that the Motor Shaft tongue engages into the shear drive notch.
7. (Model 810, 835, 875) Insert a new Shear Disc by aligning the slot in the Shear Drive with the slot in the hub of the Feedworm.
(Model 890) Align slot in Feedworm Assembly with the hole in the motor shaft. Install new Shear Pin.
8. Reassemble the Shear Cover and Grinder Cap. Make certain the Grinder Cap is screwed on tight and is sealed properly against the head and not tilted or misaligned. Otherwise, a proper grind cannot be obtained.
9. Your grinder is now ready to grind.



Troubleshooting Guide

Before you call for help, please read the following:

⚠ WARNING: Unplug power cord from outlet before cleaning or servicing your grinder.

Problem	Possible Cause	Solution
Grinder will not start when START button is pushed	<ul style="list-style-type: none"> Bag not under spout. Plug not in outlet properly. No power to outlet. 	<ul style="list-style-type: none"> Place bag underneath spout. Install plug in outlet. Check outlet with lamp or radio to verify outlet has power.
Grinder runs or hums but no coffee is dispensed	<ul style="list-style-type: none"> Circuit breaker has tripped. Shear disc is broken. Obstruction in opening to grinding chamber. 	<ul style="list-style-type: none"> Reset circuit breaker by pushing in reset button until you hear a click. Replace shear disc. See Shear Disc Replacement or instructions on back of grinder. Unplug unit. Empty beans out of hopper and clear obstructions. See Shear Disc Replacement for disassembly and assembly instructions.
Excessive amount of coffee chaff flying about	<ul style="list-style-type: none"> Defective chaff mixer spring. Outlet not properly grounded. Static electricity. 	<ul style="list-style-type: none"> If bent, broken, or missing, replace spring. If stuck open with coffee, clean out coffee to free spring. Check power cord end and outlet for proper ground. Tighten all nuts, bolts, and screws and verify outlet is grounded.
Circuit breaker continuously trips	<ul style="list-style-type: none"> Insufficient amperage due to use of extension cord. Insufficient amperage due to overloaded line. Grind setting needs adjustment. 	<ul style="list-style-type: none"> Plug unit directly into outlet. Do not use extension cord. Designate single line for grinder. Do not use multi-outlet box. Adjust grind to coarser setting (see Grind Adjustment).

If you still need help, call GMCW Technical Service Department, (502) 425-4776 or (800) 695-4500 (USA & Canada only) (Monday through Friday 8 AM - 6 PM EST). Please have the model and serial number ready so that accurate information can be given.

Prior authorization must be obtained from GMCW for all warranty claims.

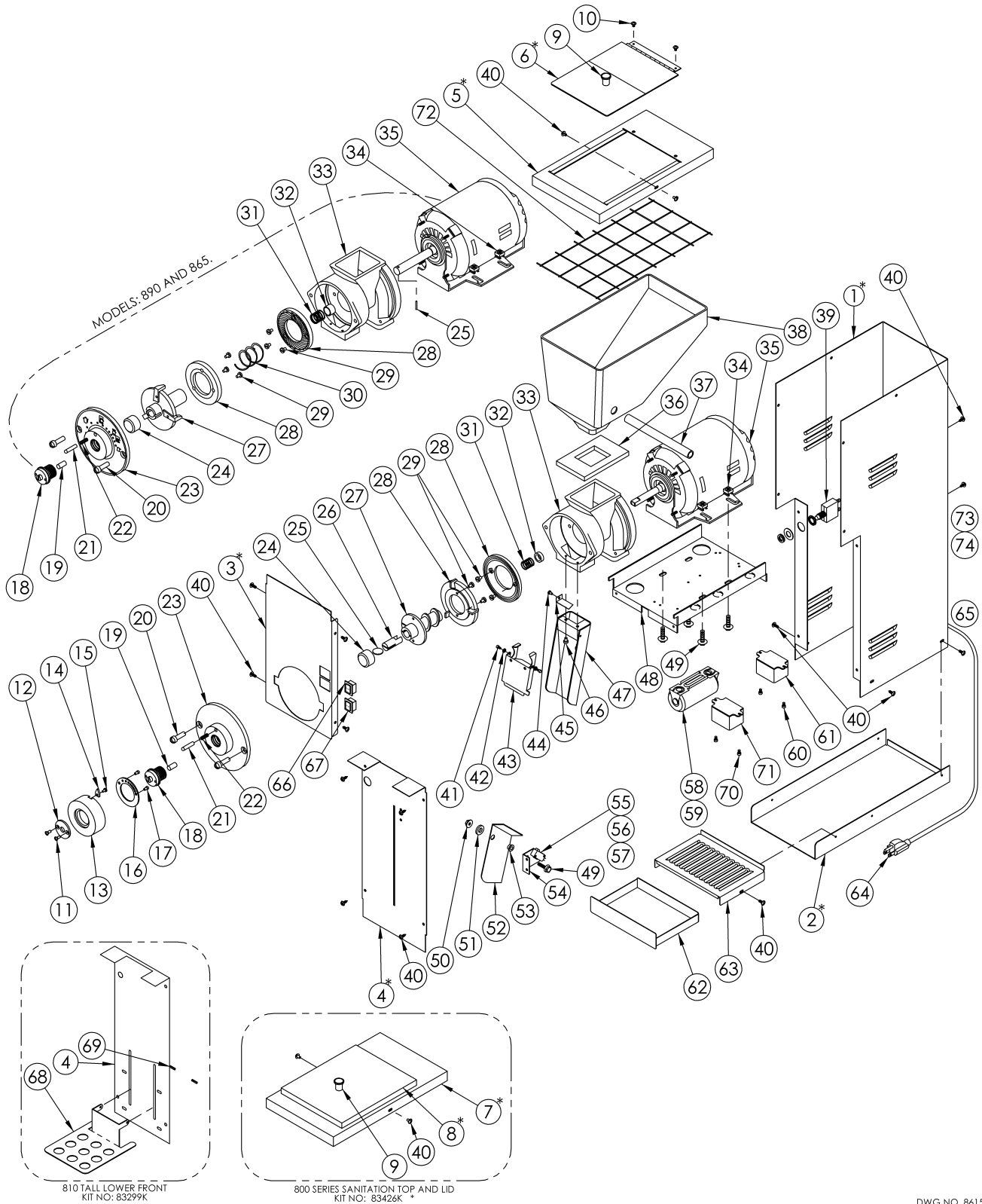
GMCW provides the industry's BEST warranty. Visit our website at GMCW.com for warranty terms and conditions.

Parts Diagram and List

800 SERIES EXPLODED VIEW

PART NUMBERS INDICATED BY AN ASTERISK (*) ARE PAINTED COMPONENTS AND COLOR MUST BE SPECIFIED WHEN ORDERING.

NOTE: REFER TO THE PART NUMBER SHEET ON THE FOLLOWING PAGE WHEN ORDERING.



DWG NO. 86151

Parts Diagram and List (continued)

800 Series

Item #	DESCRIPTION	120V GROCERY GRINDER PART NUMBERS						230V GROCERY GRINDER PART NUMBERS					
		810-BS	835-BS	875-BS & 875-RS	890-BS	890-B-T	810E-BG	835-B-230VG	835-R-230VG	835-R-230VS	875-B-230V	875-R-230V	890E-BG
1 *	Casing, grocery	83332 *		83362*		82356*	83332 *	83332 *			83362 *		
2 *	Base	83302 *	83321 *			82355*	83302 *	83321 *			83321 *		
3 *	Front panel	83316 *	83301 *	83363 *		82362*	83316 *	83301 *			83363 *		
4 *	Lower front	83305 *	80072	80073		82360	83305 *	80072			80073		
5 *	Top, bifold lid							83308BK or 83308RK					-
6 *	Lid, bifold hinge							88704BK or 88704RK					-
7 *	Top, 800 series sanitation	83451BK or 83451RK											83451 *
8 *	Lid, 800 series sanitation	83450BK or 83450RK											83450 *
9	Knob, lid	86223			86246		86223					86246	
10	Screw, #8 x 1/4 ph tr hd												
11	Screw, #8 x 3/8" sl ovl	86914					86914						
12	Plate, knob retainer	82024					82024						
13	Knob, grind select	82022					82022						
14	Pointer, knob	88027					88027						
15	Screw, #6-32 x 1/4"	86866					86866						
16	Plate, detent	83361	82025				83361	82025					
17	Screw, #8-32 x 1/4"	86224					86224						
18	Screw, grind adjust	82023			86434		82023					86434	
19	Pin, grind adjust	71298					71298						
20	Screw, 5/16-18 x 1"	86887					86887						
21	Plunger, detent	83318					83318						
22	Spring, detent	83443					83443						
23	Grinder cap	82021			86439		82021					86439	
24	Cover, shear	86355					86355						
25	Disc, shear (890 - Shear pin)	86123			86620		86123					86620	
26	Drive, shear	86154			-		86154					-	
27	Feedworm	85188			86468		85188					86468	
28	Burr set	85281W			86430		85281W					86430	
29	Screw, #10-32 x 5/16"	350-00014					350-00014						
30	Feedworm spring	-			86432		-					86432	
31	Tension spring	86118			86438		86118					86438	
32	Thrust collar	86304			-		86304					-	
33	Grinder head	84171S	84172		86435		84171S	84172			86435		
34	Nut, 1/4-20 cage	86864					86864						
35	Motor, 1/2hp 120VAC 60Hz [230VAC 60Hz]	86419			86581		[86421]					86581	
36	Gasket, hopper	88211					88211						
37	Finger guard	83324					83324						
38	Hopper	83356		88280		82365		83356			88280		
39	Circuit breaker, 10amp for 120VAC [5amp for 230VAC]	86618					[83107]						
40	Screw, #10 x 1/2", sems, tr ph	86868					86868						
41	Screw, spout flap	-	60288			-		60288					
42	Eyelet, 0.162 ID, rolled edge	-	82039			-		82039					

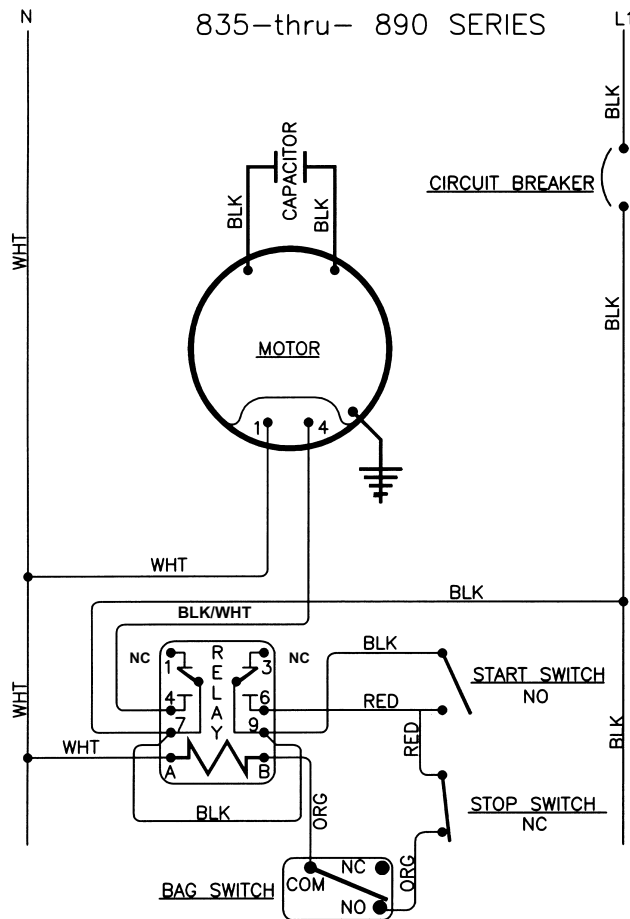
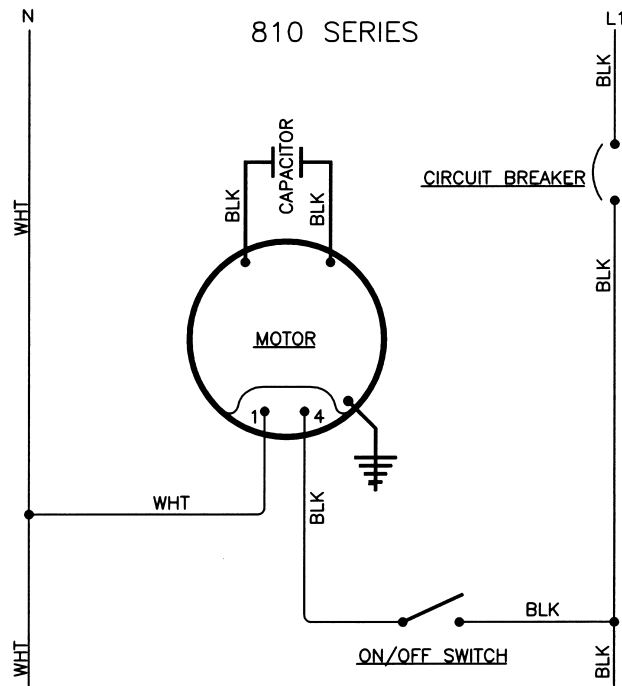
Parts Diagram and List (continued)

800 Series

Item #	DESCRIPTION	120V GROCERY GRINDER PART NUMBERS						230V GROCERY GRINDER PART NUMBERS					
		810-BS	835-BS	875-BS & 875-RS	890-BS	890-B-T	810E-BG	835-B-230VG	835-R-230VG	835-R-230VS	875-B-230V	875-R-230V	890E-BG
43	Spout flap	-	82036				-	82036					
44	Screw, chaff spring	07023-01	86806				07023-04	86806					
45	Chaff spring	84154	82026				84154	82026					
46	Screw, #8-32 x 3/8"	82124				82124							
47	Spout	88033	80088	82019		88033	80088		82019				
48	Motor shelf	83334				83334G	83334	83334G	83334	83334	83334	83334G	
49	Bolt, 1/4-20 x 5/8"	86872				86872							
50	Nut, 1/4-20 Nylon	-	60007		87049	-	87049	60007					
51	Bushing, spacer	-	83253				-	83253					
52	Bag, actuator	-	80084				-	80084					
53	Bushing, flanged	-	83252				-	83252					
54	Bracket, switch	-	83250				-	83250					
55	Switch, micro	-	80083				-	80083					
56	Screw, #4-40 x 5/8" sl bd hd	-	86928				-	86928					
57	Nut, 4-40 hex	-	86929				-	86929					
58	Capacitor, 120VAC 60Hz [230VAC 50Hz]	86144				[86179]							
59	Screw, #8-32 x 3/8"	86874				86874							
60	Screw, #8-32 x 1/4"	-				-							
61	Relay, 120VAC [Relay, 230VAC]	-	85303				-	[85275]		[83106]			
62	Tidy tray drawer	-	83323				-	83323					
63	Tidy tray cover	-	83322				-	83322					
64	Power cord, standard 120VAC [1.5MM CE]	86222				[61453]							
65	Strain relief, standard cord	86071				86071							
66	Switch, start	70449	70445	88056	88056	70449	70445		88056				
67	Switch, stop	-	83327	88057		-	83327		88057				
70	Screw, #6-32 x 1/4", SS	-				86993							
71	Relay, Motor Start, 230VAC	-				86424							
72	Finger guard	-				-	83297						
73	Screw, #8-32 x 1/2", Ground	86867				86867							
74	Nut, #8-32, KEPS	86810				86810				86810			
77	Harness, wiring	83341	82029			84143	82029						
78	Harness, bag switch	-	80086				-	80086					

Wiring Diagram

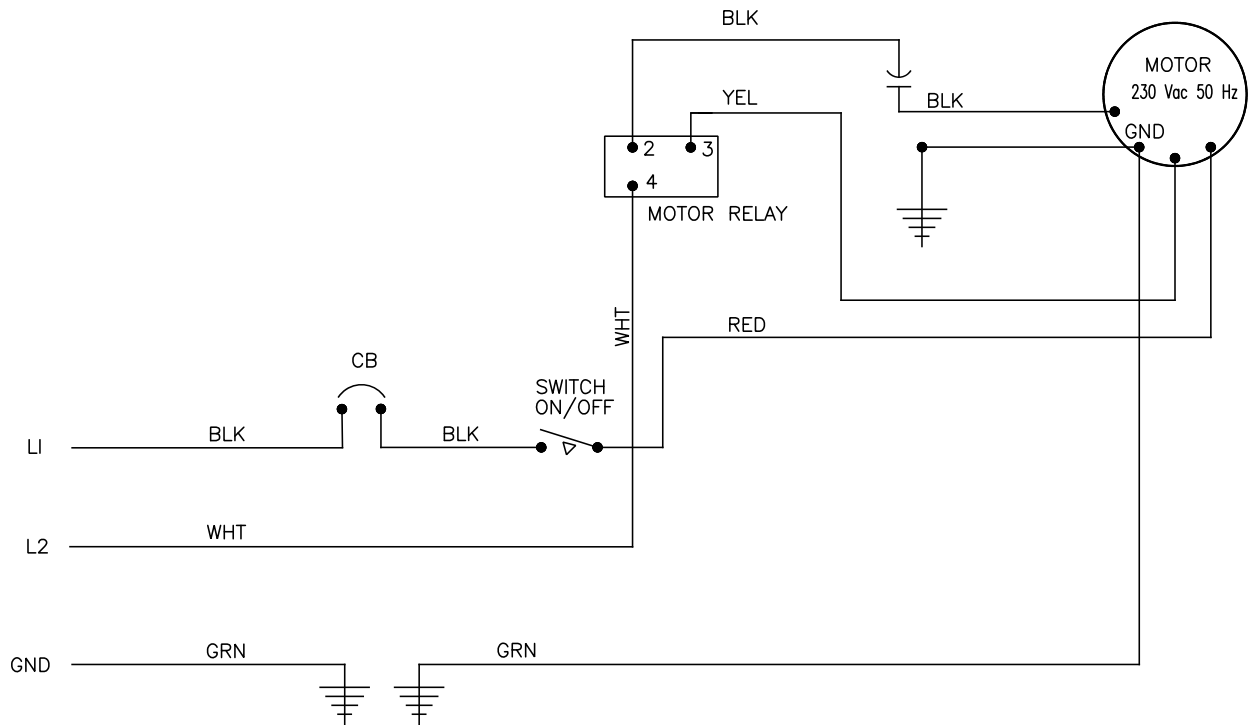
800 Series 120V Wiring Diagrams



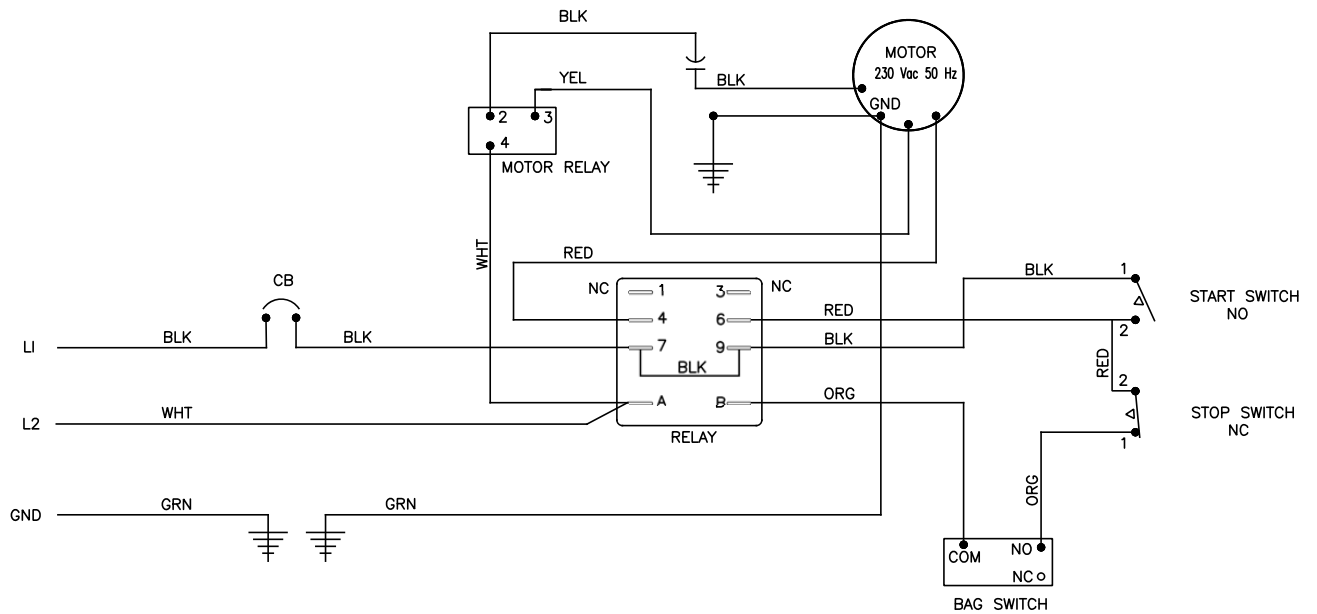
Wiring Diagram (continued)

800 Series 230V, 50Hz Wiring Diagrams

MODEL 810 – 230V, 50HZ WIRING DIAGRAM



MODEL 835, 875, 890 – 230V, 50HZ WIRING DIAGRAM



GMCW

4003 Collins Lane, Louisville, KY 40245 USA
Phone: 502.425.4776 Toll Free: 800.695.4500
Fax: 502.425.4664
Web: gmcw.com Email: info@gmcw.com

©1995 GMCW
Printed in USA



0615 Form # GR-380-18
Part # 83427



GRINDMASTER®

BY GMCW™

Manuel d'instruction

MOULINS À CAFÉ SÉRIE 800

Modèles 810, 835, 875, 890



Modèle 810



Modèle 835



Modèle 875



Modèle 890



Table des matières

Spécifications	14	Nettoyage et entretien.....	17
Instructions de sécurité.....	15	Guide de dépannage	18
Installation	15	Pièces de rechange utilisateur	19
Mode d'emploi.....	16	Schémas de câblage électrique	22

Merci d'avoir choisi ce moulin à café de qualité. Pour votre sécurité et la sécurité des autres, lisez tous les avertissements et le manuel d'instruction avant d'installer et d'utiliser le produit. Former correctement tous les opérateurs. Conserver les documents de formation. Pour référence ultérieure, enregistrer le numéro de série ici :

GMCW

4003 Collins Lane, Louisville, KY 40245 USA
Téléphone : 502.425.4776 Appel gratuit : 800.695.4500
Fax: 502.425.4664
Web: gmcw.com Email: info@gmcw.com

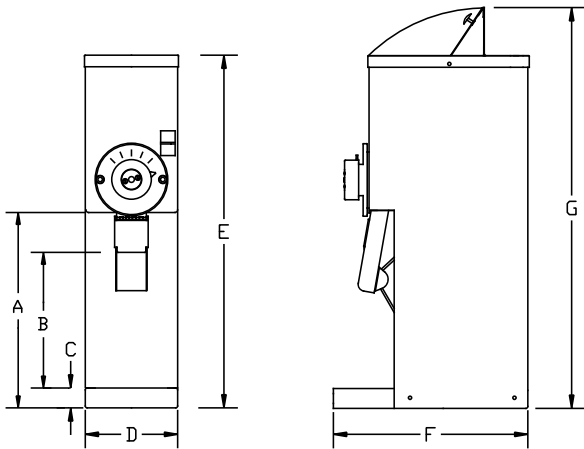
Consulter GMCW.com pour les informations sur la garantie actuelle.



GMCW™

Spécifications

Modèle	Description	Électrique
810S	Moulin à café pour usage modéré - Trémie de 1.5 lbs. Certification sanitaire C-UL, US, ETL	120V / 920 W / 8A / 1 Ph
835S	Moulin à café pour usage modéré - Trémie de 1.5 lbs. Certification sanitaire C-UL, US, ETL	120V / 920 W / 8A / 1 Ph
875S	Moulin à café pour usage modéré - Trémie de 3 lbs. Certification sanitaire C-UL, US, ETL	120V / 920 W / 8A / 1 Ph
890BS	Moulin à café à meule européenne pour usage modéré - Trémie de 3 lbs. Certification sanitaire C-UL, US, ETL	120V / 920 W / 8A / 1 Ph
890T	Moulin à café à meule européenne pour usage modéré - Trémie de 5 lbs. Certification sanitaire C-UL, US, ETL	120V / 920 W / 8A / 1 Ph



Dimensions (Inches)							
	A	B	C	D	E	F	G
810	11 1/2	8	-	7	21 1/4	12 1/2	25
835	10	8 1/4	1 1/2	7	21 1/4	15	25
875	13	8 1/4	1 1/2	7	27	15	30 3/4
890	13	8 1/4	1 1/2	7	27	15	30 3/4
890T				7	31 1/4	14	35

Instructions de sécurité

Information de sécurité importante



Ceci est un symbole d'alerte de sécurité. Il est utilisé pour vous alerter de dangers potentiels de blessures personnelles. Respectez tous les messages de sécurité qui suivent ce symbole pour éviter des blessures ou la mort.

Pour votre sécurité et la sécurité des autres, lisez tous les avertissements et le manuel d'instruction avant d'installer et d'utiliser le produit.

DANGER : Ce terme prévient l'utilisateur d'un danger de mort ou de blessure grave.

AVERTISSEMENT : Ce terme fait référence à un danger potentiel ou une pratique dangereuse, qui pourrait entraîner des blessures graves.

ATTENTION : Ce terme fait référence à un danger potentiel ou une pratique dangereuse, qui pourrait entraîner des blessures mineures ou modérées ou des dégâts matériels.

AVIS : Ce terme fait référence à une information qui nécessite une attention spéciale ou doit être pleinement comprise.

AVERTISSEMENT

- Châssis relié électriquement à la terre.
- Ne pas déformer la prise ou le cordon.
- Suivre les codes électriques nationaux et locaux.
- Ne pas utiliser près de combustibles.
- Utiliser uniquement sur un circuit de charge qui est bien protégé et qui supporte la charge nominale.
- Débrancher le moulin à café avant le nettoyage et l'entretien.

LE NON-RESPECT DE CES AVERTISSEMENTS PEUT ENTRAÎNER DES BLESSURES, CHOC ÉLECTRIQUE, INCENDIE, OU DES DÉGÂTS MATÉRIELS.

ATTENTION


Risque de blessures. Gardez les doigts, les mains et les objets étrangers hors de la trémie ou de l'ouverture de la goulotte.

Le modèle 890T doit être boulonné au comptoir pour éviter des blessures corporelles lors d'un basculement éventuel.

AVIS

Ne branchez jamais le moulin en surcharge électrique ou à une rallonge électrique, sinon le moteur risque d'être gravement endommagé. NE PAS UTILISER DE RALLONGE ÉLECTRIQUE.

Installation

 ATTENTION : Risque de blessures corporelles si l'appareil bascule. Faire attention lors de l'installation du Modèle 890T.

AVIS : Il est essentiel que la tension et l'ampérage exigés soient disponibles, car une puissance électrique totale est nécessaire pour moulinier le café.

Merci de lire ce manuel avant de faire fonctionner le moulin.

1. Sortez le moulin de son emballage avec précaution.
2. Placez le moulin sur une étagère, un comptoir ou sur toute autre surface plane.
3. (Modèle 890T uniquement). En utilisant les (4) boulons, rondelles et écrous 5/16 " -18 x 1 1/2" prévues, fixez solidement le moulin au comptoir.
4. Branchez le moulin à la source d'alimentation requise. (Consultez la

plaque signalétique à l'arrière de l'unité pour les exigences de tension et d'ampérage.) Ne pas utiliser de rallonge.

5. Remplissez la trémie avec du café en grains.
6. Moulez une petite quantité de café en grains en suivant les instructions d'utilisation décrites dans ce manuel.
7. En cas de problème quelconque, référez-vous au Guide de dépannage contenu dans ce manuel (aussi à l'arrière du moulin).

Si vous avez besoin d'aide complémentaire, appelez le Service Technique de GMCW, (502) 425-4776 ou (800) 695-4500 (États-Unis et Canada uniquement) (du lundi au vendredi 8 heures-18 heures HNE).

Une autorisation préalable doit être obtenue du Service Technique de GMCW pour toutes réclamations concernant la garantie.

Mode d'emploi

Votre nouveau moulin à café est facile à utiliser et à entretenir. Avant de le mettre en service, veuillez vous assurer que tout le personnel connaisse ces instructions ; veuillez ensuite à ce que ce manuel soit conservé dans un endroit pratique, où il sera facile de le consulter pour référence rapide.

Fonctionnement

1. Tournez le bouton sélecteur pour le mettre au type de mouture désiré.
2. Remplissez la trémie avec la quantité et la sorte de café en grains désirées. Fermez le couvercle.
3. Placez le sac sous le bec.
4. Appuyez sur le bouton de mise en marche.
*Modèle 810 - Basculer le commutateur du moulin sur la position ON.
5. Le moulin s'arrête automatiquement quand le sac est enlevé.**
* Modèle 810 - Une fois que le café est broyé, basculez l'interrupteur du moulin en position d'arrêt sinon le moulin va fonctionner en continu.
** Sur les modèles 835 et 875 le bouton d'arrêt peut être enfoncé dès que le moulin a terminé de broyer.
6. Retirez le sac du bec lorsque le café est moulu.

Mouture

Avant son expédition, votre moulin est réglé pour une mouture précise correspondant à chaque méthode de préparation de café indiquée.

Les fraises de mouture sont fabriquées à partir d'un alliage extrêmement dur et résistant à l'usure. De temps en temps, des ajustements sur le moulin peuvent être nécessaire (voir les instructions ci-dessous). Si la mouture est plus grossière que prévu après un réglage normal, et le temps de mouture a augmenté, il est possible que les fraises aient subi une usure excessive et doivent être remplacées. Les nouvelles fraises doivent toujours être montées par paire ; il ne faut jamais en remplacer une seulement, car elles sont meulées et rodées en paires. Les anciennes fraises ne peuvent pas être réaffûtées.

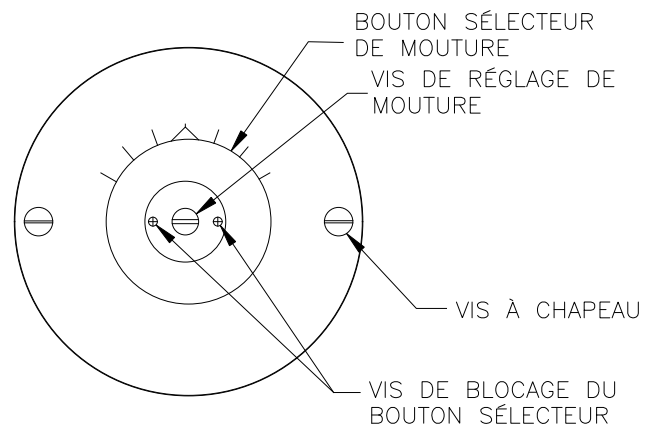
Réglage de la mouture

Outils nécessaires : Tournevis Phillips
Tournevis à lame longue
Pincettes

1. Videz le réservoir de son café.
2. Réglez le sélecteur sur le réglage le plus fin (Espresso ou Turkish) en fonction du modèle.

3. Desserrez d'un tour seulement les deux vis de blocage du bouton sélecteur.
4. Tout en appuyant sur l'interrupteur du sac, situé derrière le bec, appuyez aussi sur le bouton de mise en marche < START >, pour que le moulin tourne pendant le réglage. Modèle 810 : Appuyez sur le bouton de mise en marche < On > ou < START >, pour que le moulin tourne pendant le réglage.
5. Pendant que le moulin tourne, tournez lentement la vis de réglage au centre du bouton sélecteur vers la droite, jusqu'à ce qu'un léger clic se fasse entendre. Tournez alors immédiatement la vis de réglage vers la gauche, d'un cran de mouture. Ceci produit la mouture la plus fine possible.
6. Serrez les deux vis de blocage du bouton. Une fois que la mouture la plus fine a été réglée, les autres consignes de mouture seront établies automatiquement et correctement.
7. Appuyez sur le bouton d'arrêt < STOP > ou < Off >.

AVIS : Il faut toujours s'assurer que les fraises de mouture ne se touchent pas quand le moulin est en réglage ESPRESSO/TURKISH, afin d'éviter de sérieuses avaries au moteur.



Protection

Ce moulin est équipé à la fois d'un disjoncteur et d'un disque de cisaillement ou goupille de cisaillement pour protéger le moteur et les fraises.

Disjoncteur

Ce moulin est équipé d'un disjoncteur, qui protège le moteur contre la surcharge. Si le disjoncteur se déclenche, le bouton de remise en marche ressort automatiquement de 5 mm, ce qui coupe l'alimentation électrique au moulin. Le bouton de remise en marche se trouve sur le panneau avant (Modèles 810, 835, 875).

Mode d'emploi (suite)

Pour ré-enclencher le disjoncteur, attendez deux minutes, puis appuyez sur le bouton de réinitialisation. Vous entendrez un clic, indiquant le réenclenchement. Si le moulin ne marche pas après le réenclenchement du disjoncteur, il est possible qu'il existe une obstruction dans le mécanisme de mouture, qui fait caler le moteur. Tournez le bouton sélecteur à fond vers la gauche. Essayez de remettre le moulin en marche. Si le disjoncteur se déclenche à nouveau, c'est que l'obstruction n'a pas pu passer. Dans ce cas, la tête de mouture devra être nettoyée, comme indiqué dans la section **Changement du disque de broyage** de ce manuel.

Nettoyage et entretien

Nettoyage

REMARQUE : La personne qui lave ces pièces doit avoir les mains propres.

L'extérieur de la machine peut être nettoyé avec de l'eau chaude savonneuse et un chiffon humide.

Les pièces de broyage doivent être nettoyées avec une brosse dure ou un chiffon sec. **NE PAS UTILISER D'EAU**. Consultez la section **Changement du disque de broyage** de ce manuel, en ce qui concerne les instructions de montage et de démontage des composants du moulin. Avant de remonter, essuyez l'arbre moteur avec un chiffon sec.

Toutes les pièces étant en contact avec la nourriture doivent être lavées à l'eau savonneuse chaude, rincées, et séchées à l'air.

Lubrification

Aucune lubrification n'est nécessaire.

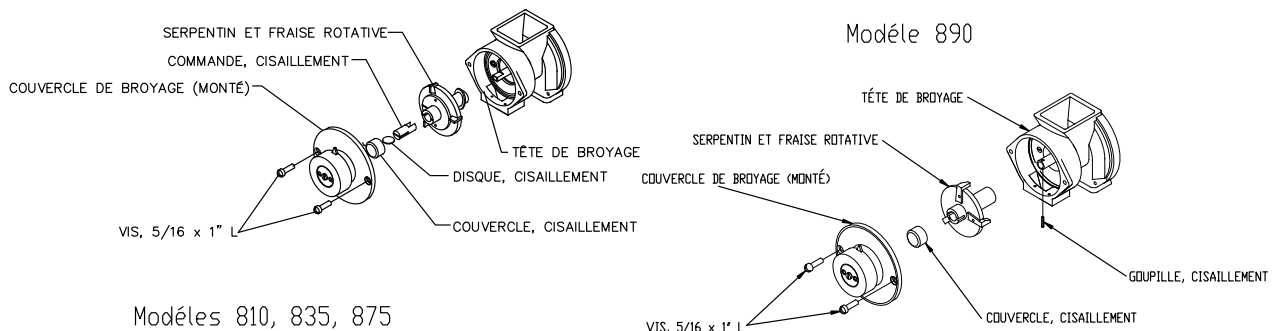
Changement du disque de broyage

Si le moteur tourne sans production de café, ceci peut signifier que le déclencheur du disque de broyage a pu être en fonctionnement. Dans ce cas, suivez les étapes ci-dessous, en respectant l'ordre donné. Voir le dessin suivant.

Outils nécessaires : un tournevis à lame plate et des pinces

⚠ AVERTISSEMENT : Débranchez la machine pour éviter un choc électrique.

1. Videz le réservoir de café de tout son contenu.
2. Enlevez le Couvercle de broyage, en dévissant les deux vis à chapeau.
3. (Modèle 890) Tournez l'ensemble serpentín de telle sorte que la fente dans l'assemblage soit verticale puis poussez vers l'intérieur pour libérer la goupille de cisaillement.
4. Tirez sur la fraise rotative et sur le serpentín pour les sortir. Nettoyez la Tête de mouture, enlevant tous les grains de café de son intérieur, ainsi que du Couvercle de broyage, afin de pouvoir le remettre correctement en place.
5. Vérifiez qu'aucune obstruction ne se trouve sur la surface des dents de chaque fraise. Enlevez le couvercle, et tout élément cassé du disque de cisaillement ou goupille de cisaillement. Vous êtes maintenant prêt à remonter le mécanisme de mouture.
6. Faites glisser la fraise rotative et le serpentín sur l'arbre de commande. (Modèles 810, 835, 875) Introduisez la commande de broyage de façon à ce que la languette de l'arbre du moteur soit engagée dans l'encoche de la commande de broyage.
7. (Modèles 810, 835, 875) Introduisez le nouveau disque de cisaillement en alignant la fente de la commande de broyage avec celle du moyeu du serpentín. (Modèle 890) Alignez la fente du serpentín avec le trou dans l'arbre du moteur. Installez la nouvelle goupille de cisaillement.
8. Remplacez le Cisaillement couvercle et le Couvercle de broyage. Vérifiez que le Couvercle de broyage est vissé fermement et est en position correcte contre la tête (il ne doit pas être mal positionné). Son mauvais positionnement empêcherait d'obtenir une mouture correcte.
9. Votre moulin est maintenant prêt au fonctionnement.



Guide de dépannage

Avant d'appeler pour une aide complémentaire, merci de lire ce qui suit :

⚠ AVERTISSEMENT : Débrancher la prise électrique avant d'effectuer n'importe quelle opération de nettoyage.

PROBLÈME	CAUSE POSSIBLE	SOLUTION
Le moulin ne se met pas en marche quand on appuie sur le bouton de mise en marche < START >.	Il n'y a pas de sac sous le bec. La prise n'est pas bien branchée. Pas d'alimentation vers la prise murale. Le disjoncteur s'est déclenché.	Placez le sac sous le bec. Bien enfoncez la prise. Testez la prise murale avec une lampe ou un poste radio pour s'assurer de son alimentation. Réenclenchez le disjoncteur en appuyant sur le bouton de remise en marche jusqu'à ce qu'un déclic se fasse entendre.
Le moulin tourne ou émet un son, sans production de café	Le disque de broyage est cassé. Obstruction dans l'ouverture du compartiment de broyage.	Changez le disque de broyage. Consultez la section Changement du disque de broyage ou les instructions à l'arrière du moulin. Débranchez l'appareil. Videz le réservoir de son café et enlevez l'obstruction. Consultez la section Changement du disque de broyage , pour les instructions de démontage et de remontage.
Excès de pelures flottantes	Ressort du mélangeur défectueux. Mauvaise mise à la terre de la sortie. Électricité statique.	Si le ressort est déformé, cassé ou absent, remplacez-le. En cas de blocage en position ouverte par du café, enlevez le café pour libérer le ressort. Vérifiez la mise à terre du cordon électrique et de la sortie. Serrez tous les écrous, boulons et vis, et vérifiez la mise à la terre de la prise murale.
Le disjoncteur se déclenche constamment.	Courant insuffisant dû à l'utilisation d'une rallonge électrique. Courant insuffisant dû à un secteur surchargé. Réglage nécessaire des points de consigne de la mouture.	Branchez l'appareil directement sur la prise, sans utiliser de rallonge électrique. Réservez un secteur électrique pour le moulin. Ne pas employer de boîte à prises multiples. Réglez la mouture à un point de consigne plus gros. Consultez la section Réglage de la mouture .

Si vous avez besoin d'aide complémentaire, appelez le Service Technique de GMCW, (502) 425-4776 ou (800) 695-4500 (États-Unis et Canada uniquement) (du lundi au vendredi 8 heures-18 heures HNE). Veuillez avoir les numéros de modèle et de série à portée de la main pour pouvoir obtenir des renseignements exacts.

Une autorisation préalable doit être obtenue du Service Technique de GMCW pour toutes réclamations concernant la garantie.

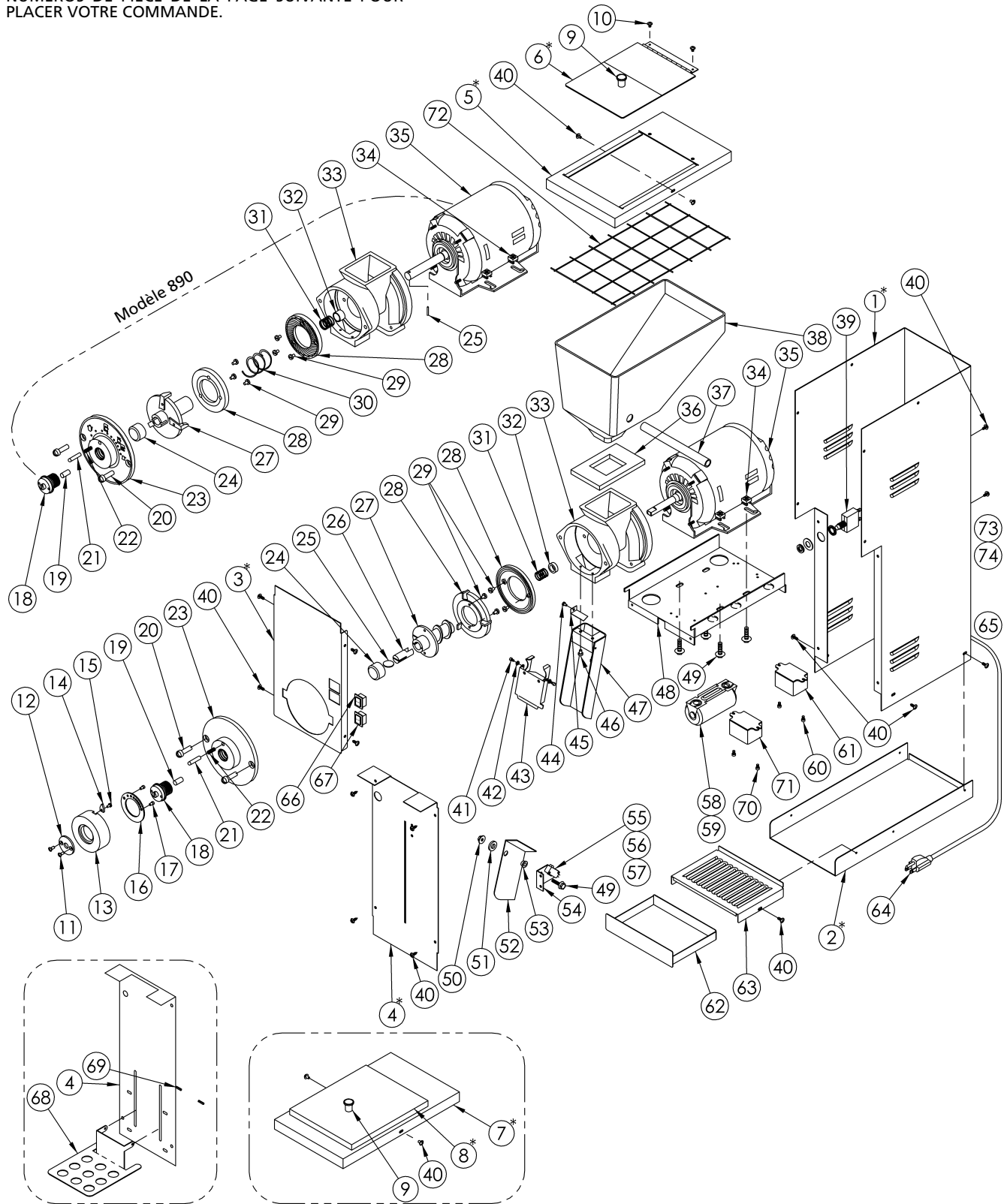
Consulter GMCW.com pour les informations sur la garantie actuelle.

Pièces de rechange utilisateur

Séries 800 vue éclatée

LES NUMÉROS DE PIÈCE AVEC UN ASTÉRISQUE (*)
SONT DES ÉLÉMENTS PEINTS, ET LA COULEUR DEVRA
ÊTRE PRÉCISÉE AU MOMENT DE LA COMMANDE.

REMARQUE: VEUILLEZ VOUS RÉFÉRER À LA LISTE DES
NUMÉROS DE PIÈCE DE LA PAGE SUIVANTE POUR
PLACER VOTRE COMMANDE.



810 HAUT - PARTIE AVANT
INFÉRIEURE, KIT NO. 83299K*

SÉRIE 800 - HAUT ET COUVERCLE ELT,
KIT NO. 83426K*

DWG NO. 86151

Pièces de rechange utilisateur (suite)

Séries 800

DESCRIPTION	120V NUMÉROS DE PIÈCE DES MOULINS COMMERCIAUX						230V NUMÉROS DE PIÈCE DES MOULINS COMMERCIAUX					
	810-BS	835-BS	875-BS & 875-RS	890-BS	890-B-T	810E-BG	835-B-230VG	835-R-230VG	835-R-230VS	875-B-230V	875-R-230V	890E-BG
1 *	Carter d'alimentation		83332 *	83362*	82356*	83332 *	83332 *		83362 *			
2 *	Base		83302 *	83321 *		82355*	83302 *	83321 *		83321 *		
3 *	Panneau avant		83316 *	83301 *	83363 *	82362*	83316 *	83301 *		83363 *		
4 *	Partie avant inférieure		83305 *	80072	80073	82360	83305 *	80072		80073		
5 *	Haut, couvercle pliant		-			83308BK or 88308RK					-	
6 *	Couvercle, charnière pliante		-			88704BK or 88704RK					-	
7 *	Haut, série 800 ETL		83451BK or 83451RK			-					83451 *	
8 *	Couvercle, série 800 ETL		83450BK or 83450RK			-					83450 *	
9	Bouton, couvercle		86223		86246	86223					86246	
10	Vis No. 8 x 1/4" ph tr hd											
11	Vis No. 8 x 3/8", fendue oval		86914			86914						
12	Plaque, retenue du bouton		82024			82024						
13	Bouton, sélecteur mouture		82022			82022						
14	Pointeur, bouton		88027			88027						
15	Vis No. 6-32 x 1/4"		86866			86866						
16	Plaque, arrêt		83361	82025		83361	82025					
17	Vis No. 8-32 x 1/4"		86224			86224						
18	Vis, réglage mouture		82023		86434	82023				86434		
19	Goupille, réglage mouture		71298			71298						
20	Vis 5/16-18 x 1" Lg		86887			86887						
21	Piston, arrêt		83318			83318						
22	Ressort, arrêt		83443			83443						
23	Couvercle de broyage		82021		86439	82021				86439		
24	Couvercle, cisaillement		86355			86355						
25	Disque, cisaillement (890 - Goupille, cisaillement)		86123		86620	86123				86620		
26	Commande, cisaillement		86154		-	86154				-		
27	Serpentin		85188		86468	85188				86468		
28	Jeu de fraises		85281W		86430	85281W				86430		
29	Vis No. 10-32 x 5/16"		350-00014			350-00014						
30	Ressort de serpent		-		86432	-				86432		
31	Ressort de tension		86118		86438	86118				86438		
32	Bague de butée		86304		-	86304				-		
33	Tête de broyage		84171S	84172	86435	84171S	84172			86435		
34	Écrou 1/4-20 Cage		86864			86864						
35	Moteur, 1/2hp 120VAC 60Hz [230VAC 50Hz]		86419		86581	[86421]				86581		
36	Joint trémie		88211			88211						
37	Protège doigts		83324			83324						
38	Trémie		83356	88280	82365	83356			88280			
39	Disjoncteur, 10amp pour 120VAC [5amp pour 230VAC]		86618			[83107]						

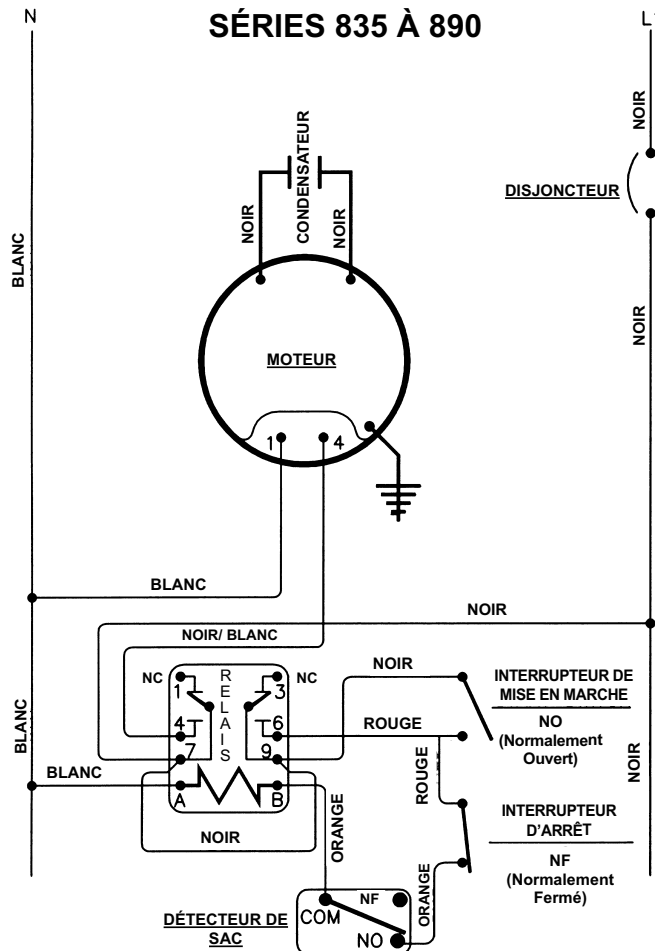
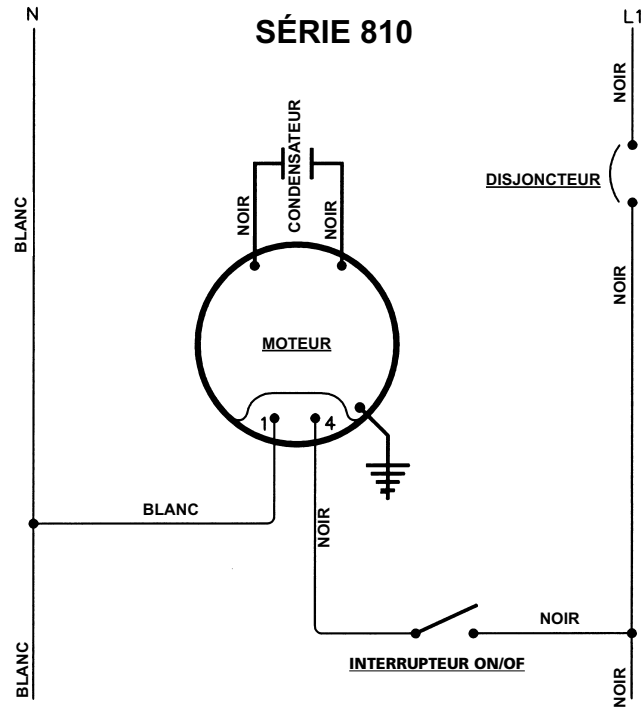
Pièces de rechange utilisateur (suite)

Séries 800

DESCRIPTION	120V NUMÉROS DE PIÈCE DES MOULINS COMMERCIAUX						230V NUMÉROS DE PIÈCE DES MOULINS COMMERCIAUX							
	810-BS	835-BS	875-BS & 875-RS	890-BS	890-B-T		810E-BG	835-B-230VG	835-R-230VG	835-R-230VS	875-B-230V	875-R-230V	890E-BG	
40	Vis à rondelle intégrée No 10 x 1/2" tr ph						86868							
41	-	60288				-	60288							
42	-	82039				-	82039							
43	-	82036				-	82036							
44	07023-01	86806				07023-04	86806							
45	84154	82026				84154	82026							
46	Vis No. 8-32 x 3/8"						82124							
47	88033	80088	82019			88033	80088			82019				
48	Support moteur						83334G	83334	83334G	83334	83334	83334	83334G	
49	Boulon, 1/4-20 x 5/8"						86872							
50	-	60007			87049	-	87049	60007						
51	-	83253				-	83253							
52	-	80084				-	80084							
53	-	83252				-	83252							
54	-	83250				-	83250							
55	-	80083				-	80083							
56	-	86928				-	86928							
57	-	86929				-	86929							
58	Condensateur, 120VAC 60Hz [230VAC 50Hz]						[86179]							
59	Vis, 8-32 x 3/8"						86874							
60	Vis 8-32 x 1/4"													
61	-	85303				-	[85275]			[83106]				
62	-	83323				-	83323							
63	-	83322				-	83322							
64	Cordon d'alimentation standard 120VAC [1.5MM CE]						[61453]							
65	Décharge de traction pour cordon standard						86071							
66	70449	70445	88056	88056		70449	70445			88056				
67	-	83327	88057			-	83327			88057				
70	Vis 6-32 x 1/4", SS						86993							
71	Relais 230 V.c.a. (fourni avec moteur)						86424							
72	Protège doigts						83297							
73	Vis 8-32 x 1/2" fixation						86867							
74	Écrou, #8-32, KEPS						86810							
77	83341	82029				84143	82029							
78	-	80086				-	80086							

Schémas de câblage électrique

Schémas de montage électrique pour les Séries 800 120 volt



Schémas de câblage électrique (suite)

Schémas de montage électrique pour les Séries 800 230volt, 50 Hz

SCHÉMA DE MONTAGE ÉLECTRIQUE POUR LE MODÈLE 810 – 230V, 50HZ

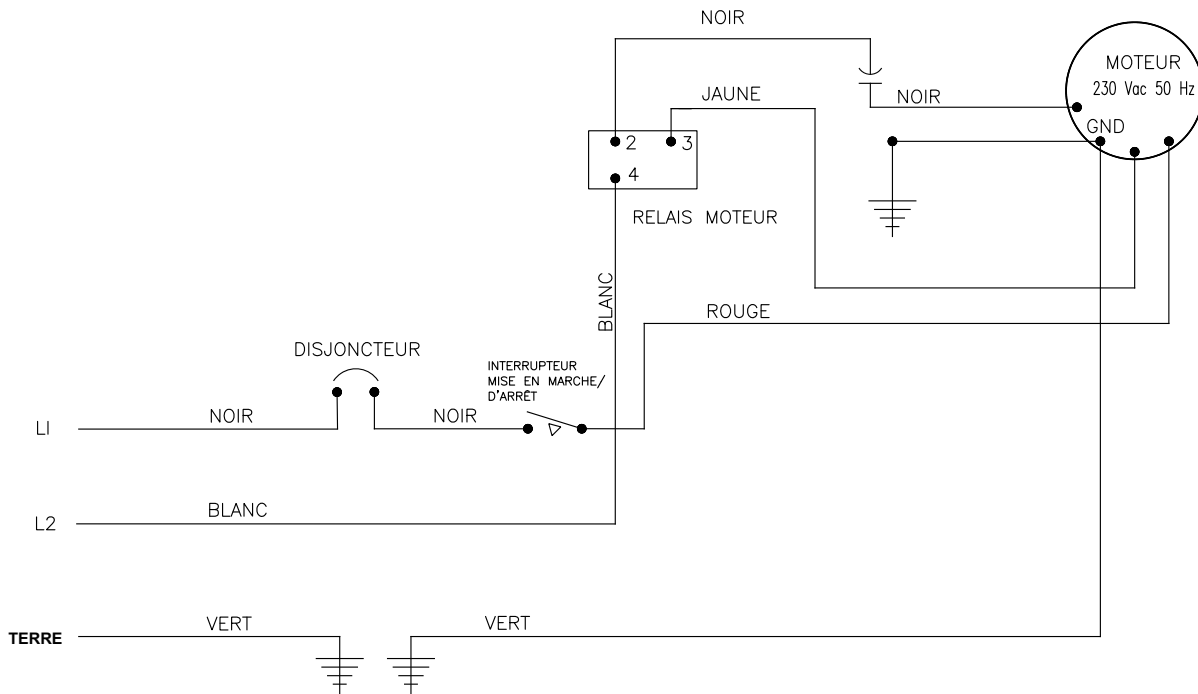
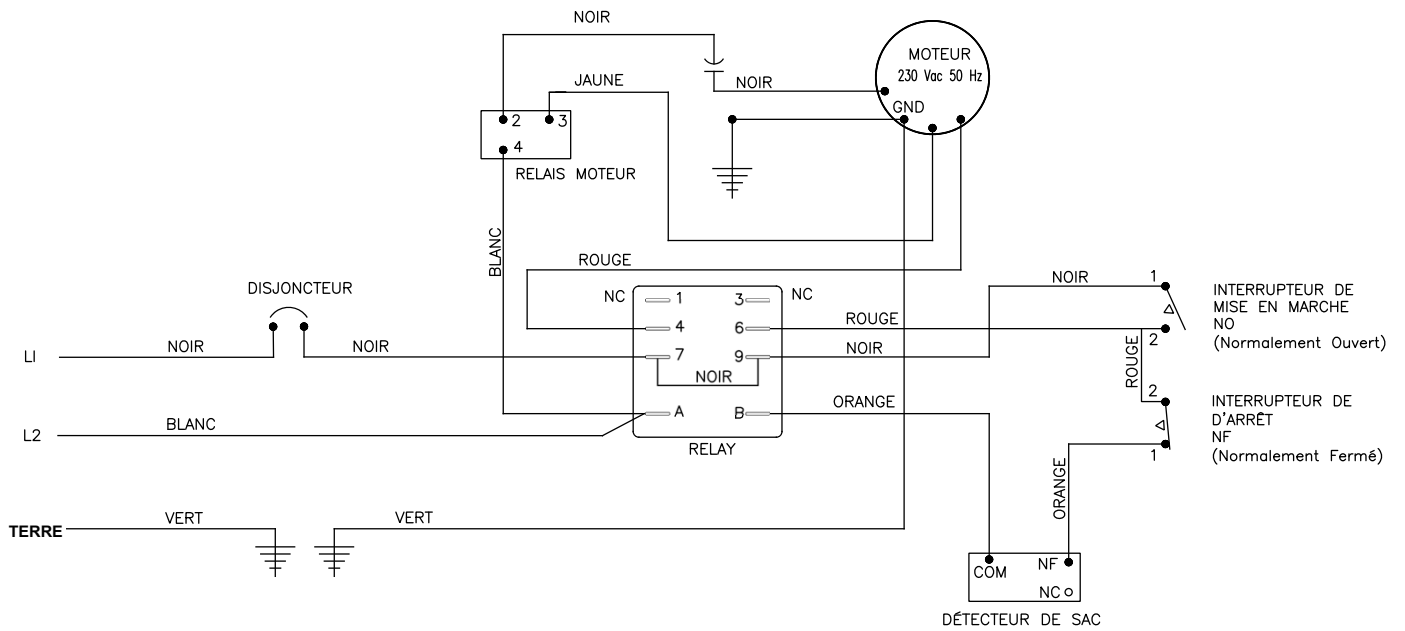


SCHÉMA DE MONTAGE ÉLECTRIQUE POUR LES MODÈLES 835, 875, 890 – 230V, 50HZ



GMCW

4003 Collins Lane, Louisville, KY 40245 USA
Téléphone : 502.425.4776 Appel gratuit : 800.695.4500
Fax: 502.425.4664
Web: gmcw.com Email: info@gmcw.com

©1995 GMCW
Imprimé aux USA



0615 Formulaire # GR-380-18
Élément # 83427